



Bottom Freezer Refrigerators

Safety Instructions2, 4

Operating Instructions

Features5, 6

Controls 7-10

Dispenser*11

Autofill*12

Single Serve Brewer*13

About Appliance Communication ...14

Water Filter15

Fresh Food Storage Options16,17

Climate Zone & Temperature

Controlled Drawer18,19

Freezer20

Automatic Ice maker21

Care and Cleaning 22

Replacing the Lights23

Installation Instructions

Preparing to Install the Refrigerator 24, 25

Installing the Refrigerator 26-37

Installing the Water Line 38-40

Troubleshooting Tips 42-44

Normal Operating Conditions41

Truth or Myth45 46

Consumer Support

Warranty47

RPWFE Water Filter Cartridge Limited Warranty48

Performance Data Sheet49

Consumer Support50

*Select Models Only

Write the model and serial numbers here:

Model # _____

Serial # _____

Find these numbers on a label on the left side, near the middle of the refrigerator compartment.

Owner's Manual and Installation Instructions

GE and GE Profile™ models

Models that start with PFE, GFE, DFE, PFH, and GNE are Standard Depth Models (SD)

Models that start with DYE, GYE, PYE and PWE are Counter Depth Models (CD)

Réfrigérateurs

Manuel d'utilisation et instructions d'installation

Modèles GE et GE Profile™

Les numéros de modèle commençant par PFE, GFE, DFE, PFH, et GNE sont des modèles de profondeur normale (PN).

Les numéros de modèle commençant par DYE, GYE, PYE et PWE sont des modèles de profondeur de comptoir (PC).

Refrigeradores

Manual del Propietario e Instrucciones de Instalación

GE y GE Profile™ modelos

Los modelos que comienzan con las letras DFE, PFE, GFE, DFE, PFH, y GNE son Modelos con Profundidad Estándar (SD)

Los modelos que comienzan con las letras GYE, PYE y PWE son Modelos con Profundidad de Mesada (CD)

IMPORTANT SAFETY INFORMATION. READ ALL INSTRUCTIONS BEFORE USING.

SAFETY



GE Appliances website

*For more information on your refrigerator's operation, visit
www.GEAppliances.com*

REFRIGERATOR SAFETY INFORMATION

! This is the safety alert symbol. This symbol alerts you to potential hazards that can kill or hurt you and others. All safety messages will follow the safety alert symbol and the word "DANGER", "WARNING", or "CAUTION". These words are defined as:

! DANGER Indicates a hazardous situation which, if not avoided, **will** result in death or serious injury.

! WARNING Indicates a hazardous situation which, if not avoided, **could** result in death or serious injury.

! CAUTION Indicates a hazardous situation which, if not avoided, **could** result in minor or moderate injury.

IMPORTANT SAFETY INSTRUCTIONS

! WARNING To reduce the risk of fire, explosion, electric shock, or injury when using your refrigerator follow these basic safety precautions:

- This refrigerator must be properly installed and located in accordance with the Installation Instructions before it is used.
- Unplug the refrigerator before making repairs, replacing a light bulb, or cleaning.
Note: Power to the refrigerator cannot be disconnected by any setting on the control panel.
Note: Repairs must be performed by a qualified service professional.
- Replace all parts and panels before operating.
- Do not store or use gasoline or other flammable vapors and liquids in the vicinity of this or any other appliance.
- Because of potential safety hazards under certain conditions, we strongly recommend against the use of an extension cord. However, if you must use an extension cord, it is absolutely necessary that it be a UL-listed (in the United States) or a CSA certified (in Canada), 3-wire grounding type appliance extension cord having a grounding type plug and outlet and that the electrical rating of the cord be 15 amperes (minimum) and 120 volts.
- To prevent suffocation and entrapment hazards to children, remove the fresh food and freezer doors from any refrigerator before disposing of it or discontinuing its use.
- Do not allow children to climb, stand or hang on the door handles or the shelves in the refrigerator. They could seriously injure themselves.

State of California Proposition 65 Warnings:

! WARNING This product contains one or more chemicals known to the State of California to cause cancer and birth defects or other reproductive harm.

! CAUTION To reduce the risk of injury when using your refrigerator, follow these basic safety precautions.

- Do not clean glass shelves or covers with warm water when they are cold. Glass shelves and covers may break if exposed to sudden temperature changes or impact, such as bumping or dropping. Tempered glass is designed to shatter into many small pieces if it breaks.
- Keep fingers out of the "pinch point" areas; clearances between the doors and between the doors and cabinet are necessarily small. Be careful closing doors when children are in the area.
- Do not touch the cold surfaces in the freezer compartment when hands are damp or wet, skin may stick to these extremely cold surfaces.
- Do not refreeze frozen foods which have thawed completely.
- In refrigerators with automatic icemakers, avoid contact with the moving parts of the ejector mechanism, or with the heating element that releases the cubes. Do not place fingers or hands on the automatic ice making mechanism while the refrigerator is plugged in.

SAFETY (CONT.)

INSTALLATION

⚠ WARNING  **Explosion Hazard.**

Keep flammable materials and vapors, such as gasoline, away from refrigerator. Failure to do so can result in fire, explosion, or death.

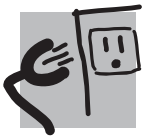
⚠ WARNING  **Tip Over Hazard.**

Built-in style models (model PYE, CYE, GYE, DYE, PWE, CWE, and ZWE) are top heavy, especially with any doors open. These models must be secured with the anti-tip floor bracket to prevent tipping forward, which could result in death or serious injury. Read and follow the entire installation instructions for installing the anti-tip floor bracket packed with your refrigerator.

CONNECTING ELECTRICITY

⚠ WARNING  **Electrical Shock Hazard.**

Plug into a grounded 3-prong outlet
Do not remove the ground prong
Do not use an adapter
Failure to follow these instructions can result in death, fire, or electrical shock.



Do not, under any circumstances, cut or remove the third (ground) prong from the power cord. For personal safety, this appliance must be properly grounded.

The power cord of this appliance is equipped with a 3-prong (grounding) plug which mates with a standard 3-prong (grounding) wall outlet to minimize the possibility of electric shock hazard from this appliance.

Have the wall outlet and circuit checked by a qualified electrician to make sure the outlet is properly grounded.

Where a standard 2-prong wall outlet is encountered, it is your personal responsibility and obligation to have it replaced with a properly grounded 3-prong wall outlet. Do not use an adapter.

The refrigerator should always be plugged into its own individual electrical outlet which has a voltage rating that matches the rating plate.

A 115 Volt AC, 60 Hz, 15- or 20-amp fused, grounded electrical supply is required. This provides the best performance and also prevents overloading house wiring circuits which could cause a fire hazard from overheated wires.

Never unplug your refrigerator by pulling on the power cord. Always grip plug firmly and pull straight out from the outlet.

Repair or replace immediately all power cords that have become frayed or otherwise damaged. Do not use a cord that shows cracks or abrasion damage along its length or at either end.

When moving the refrigerator away from the wall, be careful not to roll over or damage the power cord.

IMPORTANT SAFETY INFORMATION. READ ALL INSTRUCTIONS BEFORE USING.

SAFETY

HOT WATER DISPENSER

WARNING Scalding Hazard.

The hot water dispenser is capable of heating water to a temperature of approximately 185°F (85°C). Water temperatures above 125°F (52°C) can cause severe burns or death from scalding. Children, the disabled, and the elderly are at highest risk of being scalded.

Use this appliance only for its intended purpose as described in this Owner's Manual. To reduce the risk of severe burns, scald injuries, or death when using your hot water dispenser, the instructions below must be followed:

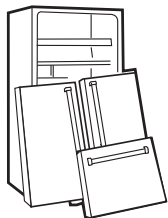
- Do not permit children to use the hot water dispenser.
- The water coming from the dispenser is very hot. Use extreme caution when dispensing and drinking water. Allow water to cool to a drinkable temperature before drinking.
- When dispensing water below 125°F, always test the temperature of the water before drinking.
- When dispensing hot water, the container can become very hot. Use a temperature insulating container, such as ceramic or foam. Using container materials such as paper or plastic may result in a burn while holding the cup. Do not use glass containers, as thermal shock can cause the container to break and may result in scalding or lacerations.
- Do not use with water that is microbiologically unsafe or of unknown quality.
- Your container should be close to the dispensing point to minimize the splashing of hot water.
- A newly installed water filter cartridge will cause water to spurt from the dispenser. Run 2 gallons of water through the cold water dispenser (about 5 minutes) to remove air from the system. Until this air is removed from the system through the cold water dispenser, DO NOT use the hot water dispenser as it may result in spurting of hot water and lead to hot water scalding.
- The first time the hot water feature is used, confirm if you live above 5000 feet (high altitude). This limits the temperature of the hot water system to avoid boiling. To access the high altitude selection, press **Fridge** and **Door Alarm** and control will cycle from **Hi AL** to **Lo AL** (high altitude to low altitude).
- The hot water dispenser is designed to only dispense water. Do not attempt to heat or dispense anything other than water. Do not attempt to disassemble or clean the tank.
- The hot water dispensing tank is a non-pressurized tank, with a vent on the tank and a dispenser tube outlet. Do not modify the system, close or block the dispense tube, or connect any other type of device to the tank or dispense tube. Doing so may lead to rupture of the tank and hot water scalding.

PROPER DISPOSAL OF YOUR OLD REFRIGERATOR

WARNING Suffocation and child entrapment hazard.

Remove fresh-food and freezer doors from the refrigerator, prior to disposal. Failure to do so can result in child entrapment which can lead to death or brain damage.

IMPORTANT: Child entrapment and suffocation are not problems of the past. Junked or abandoned refrigerators are still dangerous even if they will sit for "just a few days." If you are getting rid of your old refrigerator, please follow the instructions below to help prevent accidents.



Before You Throw Away Your Old Refrigerator or Freezer:

- Take off the fresh food and freezer doors.

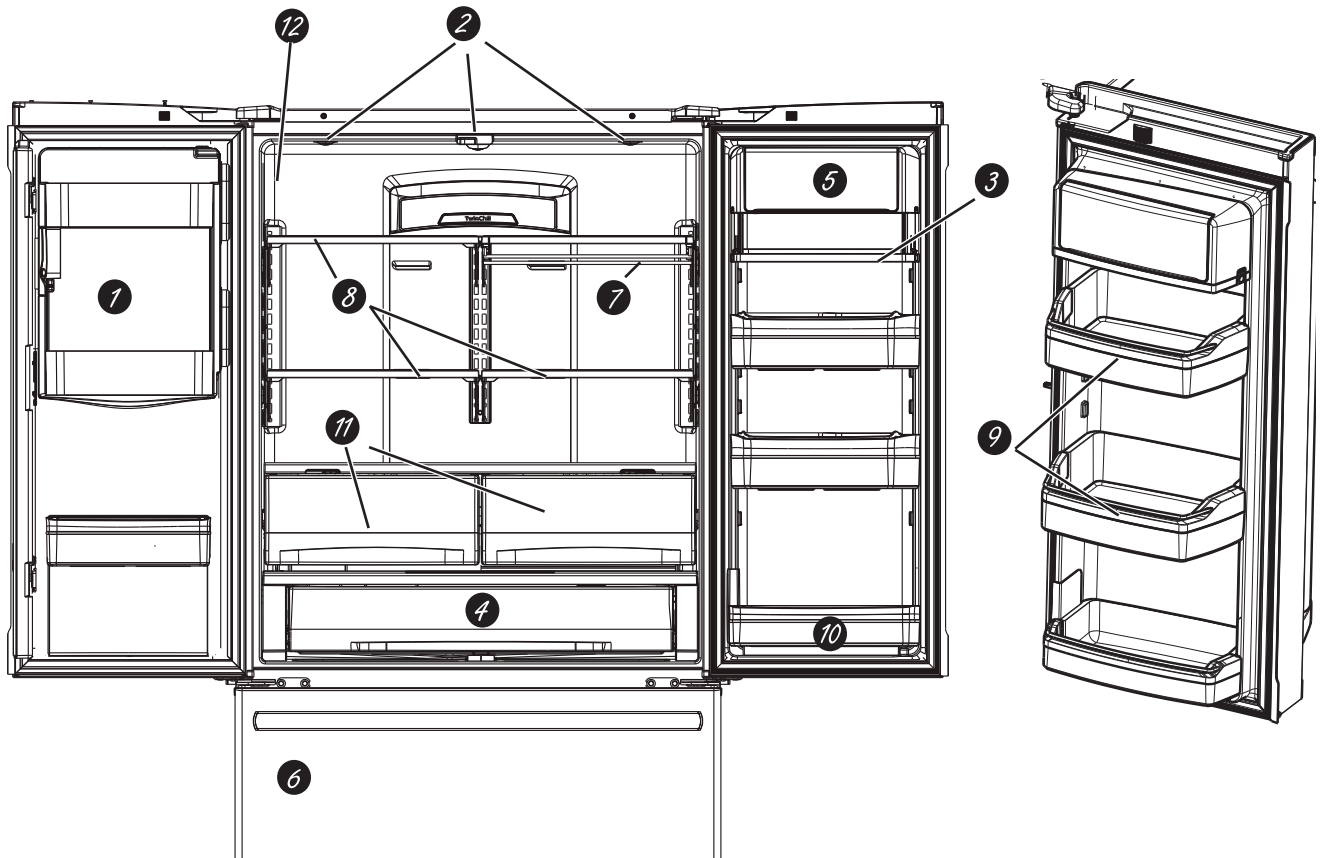
- Leave the shelves in place so that children may not easily climb inside.

Refrigerants

All refrigeration products contain refrigerants, which under federal law must be removed prior to product disposal. If you are getting rid of an old refrigeration product, check with the company handling the disposal about what to do.



**READ AND FOLLOW THIS SAFETY INFORMATION CAREFULLY.
SAVE THESE INSTRUCTIONS**



- 1 Space-saving ice maker***
Ice maker and bin are located on the door creating more usable storage space.
- 2 Showcase LED lighting**
LED lighting is positioned throughout the interior to spotlight areas in the refrigerator. LEDs are located under the fresh food door to light the freezer when opened.
- 3 Drop-down tray***
Allows for extra door storage when you need it and tucks away when you don't.
- 4 Full-width temperature controlled drawer***
Adjustable temperature control bin that can accommodate larger items.
- 5 Dairy bin***
Separate compartment for your items.
- 6 Freezer ice maker/Ice bin***
An ice maker in both compartments gives you more ice whenever you need it. Available on Non-Dispense models, also available as a kit for some models.

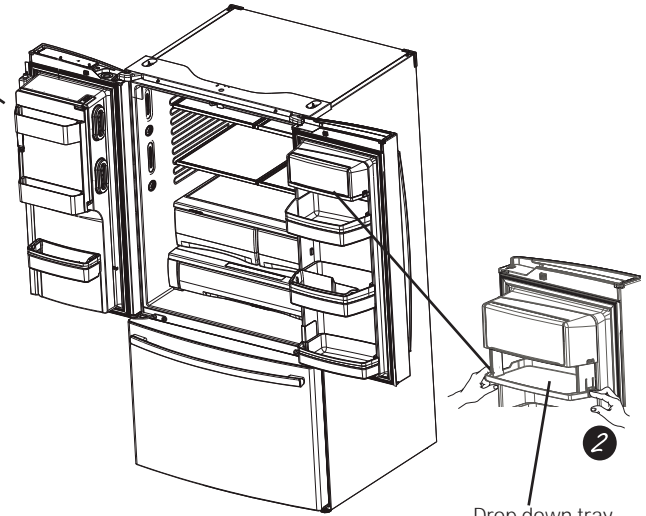
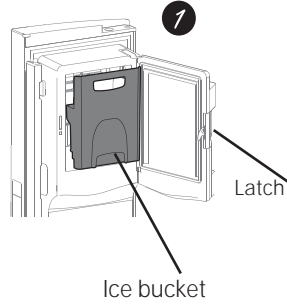
- 7 QuickSpace™ shelf***
Functions as a normal full-sized shelf when needed and easily slides back to store tall items below.
- 8 Spillproof shelves**
Designed to capture your spills for easier clean up.
- 9 Anti-slip Mat***
Liner that captures spills, keeps containers from shifting when the door is opened and is easily removable for cleaning.
- 10 Removable door bin**
Can be removed for those with a wall limiting the door opening.
- 11 Climate zone bin**
Separate bins for produce storage.
- 12 Water filter**
Filters water & Ice

*Select Models Only

About the features.*

1 Door ice bin*

1. Open left fresh food door.
2. Pull down latch to release bin door.
3. Using handhold lift ice bucket up and out to clear locators in bottom of bin.
4. To replace the ice bucket, set it on the guide brackets and push until the ice bucket seats properly.
5. If bucket cannot be replaced, rotate the Ice Bucket Fork 1/4 turn clockwise.



2 Drop down dairy bin*

1. Open right fresh food
2. Depress both buttons on lower sides and bin will drop down.
3. Reverse to reinstall.

3 Ice/water filter

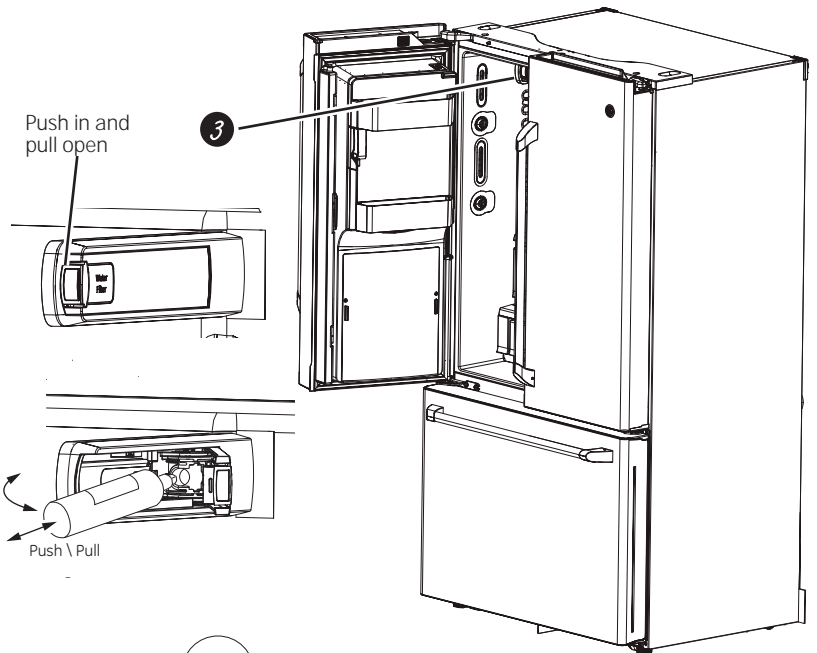
Remove filter/bypass plug

Push the indent on the cover and pull open filter door fully. Rotate the filter/bypass plug as far as it will go and pull the filter/bypass plug toward you to remove.

Installing the filter cartridge

Push the new filter/bypass plug straight in aligning the lugs with the notches in cabinet and rotate the filter/bypass plug into the recess in the cabinet. Make sure the front of the filter is toward the interior of the refrigerator.

Close the cover making sure the indent snaps into position.



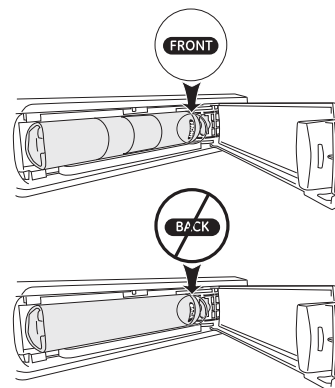
⚠ WARNING Scalding Hazard.*

Use of the hot water dispenser prior to purging air from the system may result in spurting of hot water and lead to hot water scalding. Follow the instructions for "Water Filter - Step 3" on page 15 to purge all air from the system through the cold water dispenser prior to using the hot water dispenser.

The first time the hot water feature is used, confirm if you live above 5000 feet (high altitude). This limits the temperature of the hot water system to avoid boiling. To access the high altitude selection, see *About the controls-features*.

Filter Bypass Plug

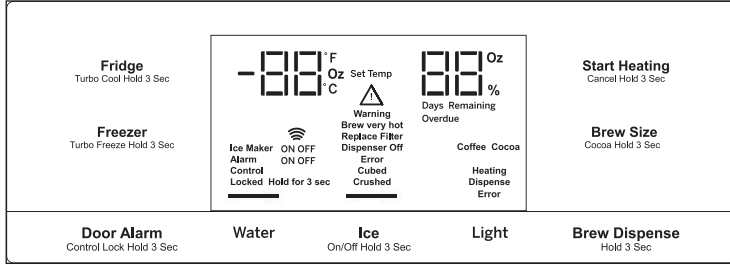
To reduce the risk of property damage due to water leakage, you **MUST** use the filter bypass plug when a replacement filter cartridge is not available. The dispenser and icemaker will not operate without either the filter or bypass plug installed. The bypass plug is installed in the same way as a filter cartridge.



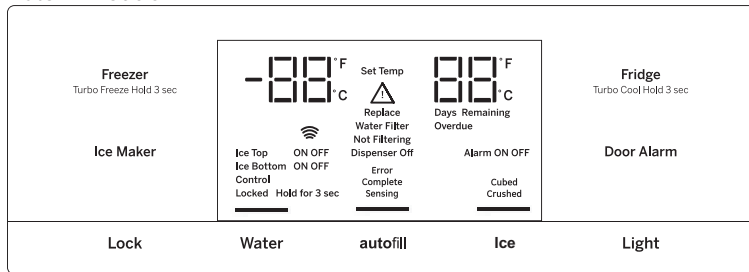
*Select Models Only

About the controls with temperature settings.

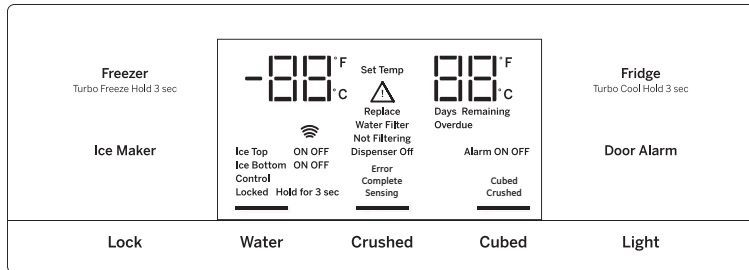
PFE28P, PYE22P Control Style A, Single Serve Models



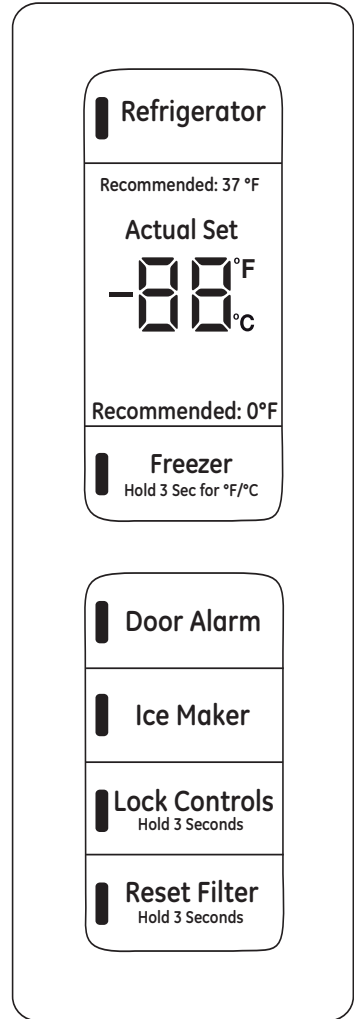
PFH28, PFE28K, DFE28, PYE22K, DYE22 Control Style B, AutoFill Models



GFE28, GFE26, GYE22 Control Style C, GE Models



GNE29, PWE23 Control Style D, Non-Dispense Control



NOTE: The refrigerator is shipped with protective film covering the temperature controls. If this film was not removed during installation, remove it now.

The temperature controls are preset in the factory at 37°F for the refrigerator compartment and 0°F for the freezer compartment. Allow 24 hours for the temperature to stabilize to the preset recommended settings.

Control Style D: The temperature controls can display both the SET temperature as well as the actual temperature in the refrigerator and freezer. The actual temperature may vary slightly from the SET temperature based on usage and operating environment (PWE23 and GNE29 only).

About the controls with temperature settings.

Changing the Temperature for Control Style A

To Change the Refrigerator Temperature:

Press the **Fridge** button and current set temperature will display. Pressing and releasing the button will cycle through the available temperature settings. Press and hold button for **Turbo Cool** feature. The display will show **tC**.

To Change the Freezer Temperature:

Press the **Freezer** button and current set temperature will display. Pressing and releasing the button will cycle through the available temperature settings. Press and hold button for **Turbo Freeze** feature. The display will show **tF**.

Cooling system can be turned off by pressing and holding **Freezer** and **Start Heating**. **OFF** will be displayed. To turn on, press **Fridge** or **Freezer**. **ON** will be displayed.

Turning the cooling system off stops the cooling to the refrigerator, but it does not shut off the electrical power.

Changing the Temperature for Control Styles B and C

To change the temperature, press and release the **Freezer** or **Fridge** pad. The display will show the set temperature. To change the temperature, press either the **Freezer** or **Fridge** pad until the desired temperature is displayed. Press and hold button for **Turbo Cool** feature. The display will show **tC**. Press and hold button for **Turbo Freeze** feature. The display will show **tF**.

To turn off the cooling system press and hold the **Fridge** and **Ice Maker** buttons. To turn on, press **Fridge** or **Freezer**.

Turning the cooling system off stops the cooling to the refrigerator, but it does not shut off the electrical power.

Changing Temp. for Control Style D

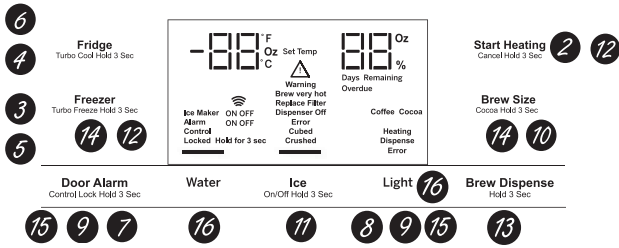
Temperature Display is located on inside of left-hand refrigerator door. To change the temperature, press and release the **REFRIGERATOR** or **FREEZER** pad. The **ACTUAL TEMP** light will come on and the display will show the actual temperature. To change the temperature, tap either the **REFRIGERATOR** or **FREEZER** pad until the desired temperature is displayed.

To turn **OFF** cooling system, press and hold the **REFRIGERATOR** and **FREEZER** pads simultaneously for 3 seconds. When cooling system is **OFF** the display should read **OF**. To turn **ON** cooling system, press either **REFRIGERATOR** or **FREEZER** pad. The display will show the preset temperature settings of **37°F** for refrigerator and **0°F** for freezer.

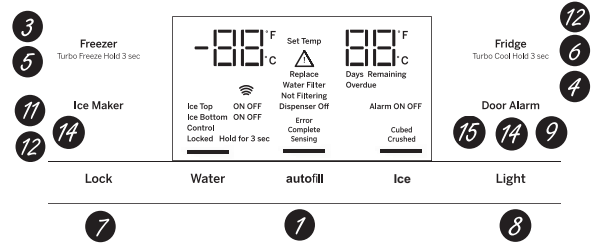
Turning the cooling system off stops the cooling to refrigerator, but it does not shut off the electrical power.

NOTE: For optimal temperature performance, we recommend to avoid placing food items directly at the air flow vents of the fresh food air tower and thus blocking the air flow.

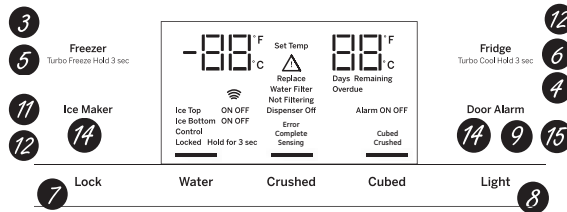
Control Style A, External Controls PFE28P, PYE22P



Control Style B, External Controls PFH28, PFE28K, DFE28, PYE22K, DYE22



Control Style C, External Controls GFE28, GFE26, GYE22



- 1 Hands-free Autofill***
Hands-free Autofill uses sensors to monitor container height to automatically dispense filtered water without having to activate the paddle.
- 2 Start Heating***
The Start Heating button is used to initiate the water heating for the Single Serve feature. To abort the Start Heating feature, press and hold the Start Heat button for 3 seconds.
- 3 Freezer temp control**
Adjust freezer compartment temperature.
- 4 Fresh food temp control**
Adjust fresh food compartment temperature.
- 5 TurboFreeze™ setting**
Activate TurboFreeze to quickly restore freezer temperatures after frequent door openings.
- 6 TurboCool™ setting**
Activate TurboCool to quickly restore fresh food temperature after frequent door openings.
- 7 Lock Controls**
Control Style A - Press and hold the **Door Alarm** pad for 3 seconds to lock out ice and water dispenser and all feature and temperature buttons.
Control Styles B & C - Press **Lock** pad and hold 3 seconds to lock out ice and water dispenser and all feature and temperature buttons.
- 8 Dispenser light**
Lighting that can be turned on/off to light your dispenser.
- 9 Door Alarm**
Sounds to alert when the freezer or fresh food doors have been left open. Press and hold **Door Alarm** pad and it will toggle the sound between low, high, and off.
- 10 Brew Size***
The Brew Size button is used to select the desired cup size for single serve. Press and hold the button for 3 seconds to toggle the brew type between **Coffee** and **Cocoa**.
- 11 Ice maker setting**
Turn your ice makers on/off.
- 12 Cooling system On/Off**
Control Style A - Press and hold **Freezer** and **Start Heating** simultaneously to turn cooling system off. To turn cooling system on press either the **Fridge** or **Freezer**.
Control Style B & C - Press and hold **Fridge** and **Ice Maker** simultaneously for 3 seconds to turn the cooling system off. To turn cooling system on press either the **Fridge** or **Freezer**.
- 13 Brew Dispense**
Press and hold **Brew Dispense** button for 3 seconds, but no longer than 6 seconds, to dispense coffee or cocoa.
- 14 F°/C°**
Control Style A - Press and hold **Freezer** and **Brew Size** to switch between F°/C°.
Control Style B & C - Press and hold **Ice Maker** and **Door Alarm** simultaneously for 3 seconds to switch between F°/C°.
- 15 Sound Control for pad chimes**
Control Style A - Press and hold the **Light** pad: Once for High to Off, twice for Off to Low and three times for Low to High.
Control Styles B & C - Press and hold the **Door Alarm** pad: Once for High to Off, twice for Off to Low and three times for Low to High.
- 16 High Altitude**
Control Style A (PYE and PFE only) - Press and hold **Fridge** and **Door Alarm** to toggle between Hi AL and Lo AL for high altitude and low altitude.

Additional settings:

- Connected Home ready* (PFE28P, PYE22P, PFH only)
- Water Filter* - An indicator will illuminate when the filter needs to be replaced. When a new filter is installed the indicator will go off.

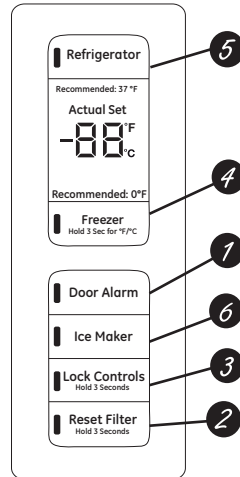
Additional Mode:

- **Sabbath Mode**
Control Style A - Press and hold **Alarm** and **Light** simultaneously for 3 seconds to enter/exit Sabbath mode.
Control Style B & C - Press and hold **Lock** and **Light** simultaneously for 3 seconds to enter/exit Sabbath mode. Activate Sabbath Mode to turn off interior lights, temperature control and advanced features. Compressor will run on a timed defrost when in Sabbath mode.

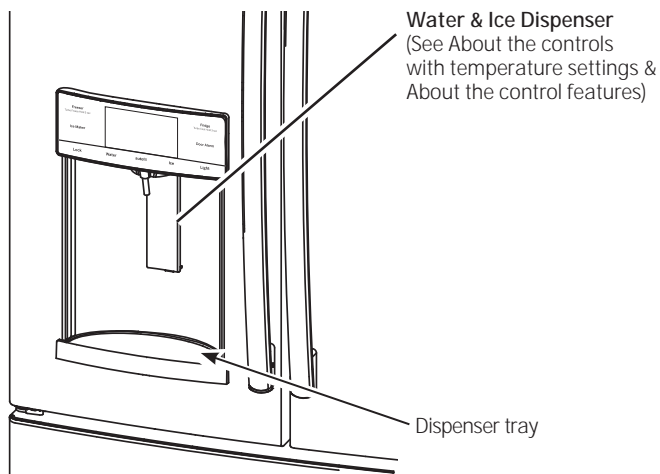
*Select Models Only

About the controls - features.

Controls Style D, Internal Controls GNE29, PWE23



- 1 Door Alarm**
Sounds to alert when the freezer or fresh food doors have been left open.
- 2 Reset Filter**
Hold for 3 seconds after replacing filter.
- 3 Lock Controls**
Press and hold 3 seconds to lock out ice and water dispenser and all feature and temperature buttons.
- 4 Freezer temp control**
Adjust freezer compartment temperature
- 5 Refrigerator temp control**
Adjust fresh food compartment temperature
- 6 Ice maker setting**
Turn your ice maker on/off.



⚠ WARNING

Laceration Hazard

- Never put fingers or any other object into ice crusher discharge opening. Doing so can result in contacting the ice crushing blades and lead to serious injury or amputation
- Use a sturdy glass when dispensing ice. A delicate glass may break and result in personal injury.

If no water is dispensed when the refrigerator is first installed, there may be air in the water line system. Press the dispenser paddle for at least five minutes to remove trapped air from the water line and to fill the water system. To flush out impurities in the water line, throw away the first six full glasses of water.

To remove Dispenser Tray (Type A and B Only)

- Pull Dispenser Tray out until it stops.
- Locate tab in the center on the bottom and push up.
- Pull Dispenser Tray assembly out.
- Lift Dispenser Tray out at center notch to clean.

To remove Dispenser Tray (Type C Only)

- Grasp Dispenser Tray and pull firmly until it comes out.

To reinstall Dispenser Tray (Type A and B Only)

- Place the Dispenser Tray cover on top of catch tray and position under the two plastic retainers on either side.
- Center Dispenser tray, and align with center guides.
- Push in until it locks firmly in place.

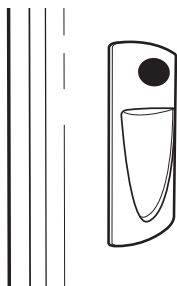
To reinstall Dispenser Tray (Type C Only)

- Line up the guide on tray bottom with track on dispenser and slide it in until it stops against the back of the dispenser.

Important Facts About Your Dispenser

- Do not add ice from trays or bags to the door ice maker bucket. It may not crush or dispense.
- Avoid overfilling glass with ice and use of narrow glasses. Backed-up ice can jam the chute or cause the door in the chute to freeze shut. If ice is blocking the chute remove the ice bucket, poke it through with a wooden spoon.
- Beverages and foods should not be quick-chilled in the door ice maker bin. Cans, bottles or food packages in the storage drawer may cause the ice maker or auger to jam.
- To keep dispensed ice from missing the glass, put the glass close to, but not touching, the dispenser opening.
- Some crushed ice may be dispensed even though you selected **CUBED ICE**. This happens occasionally when a few cubes accidentally get directed to the crusher.
- After crushed ice is dispensed, some water may drip from the chute.
- Sometimes a small mound of snow will form on the door in the ice chute. This condition is normal and usually occurs when you have dispensed crushed ice repeatedly. The snow will eventually evaporate.

To Use the Internal Water Dispenser*



The water dispenser is located on the left wall inside the refrigerator compartment.

To dispense water:

- 1 Hold the glass against the recess.
- 2 Push the water dispenser button.
- 3 Hold the glass underneath the dispenser for 2–3 seconds after releasing the dispenser button. Water may continue to dispense after the button is released.

If no water is dispensed when the refrigerator is first installed, there may be air in the water line system. Press the dispenser button for at least 5 minutes to remove trapped air from the water line and to fill the water system. During this process, the dispenser noise may be loud as the air is purged from the water line system. To flush out impurities in the water line, throw away the first 6 glassfuls of water.

NOTE: To avoid water deposits, the dispenser should be cleaned periodically by wiping with a clean cloth or sponge.

*Select Models Only

About Autofill.*

To Use HANDS FREE AUTOFILL:

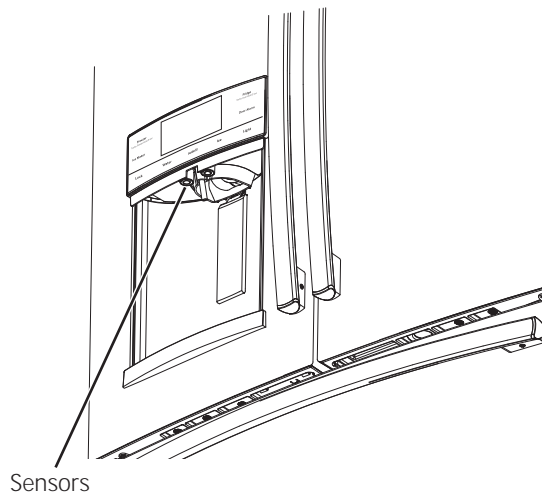
- Center container on Recess Dispenser Tray as far back as possible without activating paddle and remove hand from container
- Press **AUTOFILL**

To Stop AUTOFILL

- Press **AUTOFILL** to stop.

Important Facts about AUTOFILL

- For optimum results, use a uniform container between 4-8" tall and 2-6" wide.
- Fill level and functionality may vary on containers taller than 8" or wider than 6".
- Container volumes may vary, if error message "Not Found" is given, try a different container.
- AUTOFILL will time out.
- Handles, straws, and garnishes on the rim of the container may cause overflowing or variation in fill volumes.
- Splashing may occur depending on the location of the container, water flow rate, container shape, and ice cubes.
- Keep sensors clean with a clean damp cloth, and do not spray liquid or cleaners directly on sensors
- AUTOFILL works best with household water pressure of 60 to 100 psi.
- Ice in container may affect fill volume. If issues are experienced, use less ice.



About the K-Cup Brewing System.*

Important Facts about HOT WATER

⚠ WARNING



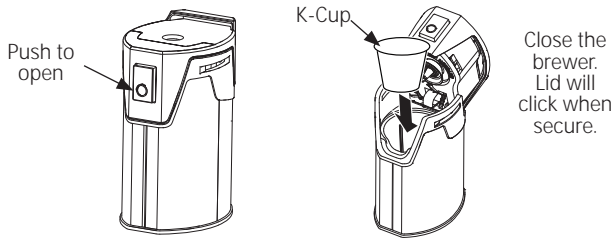
Scalding Hazard.

- The water coming from the dispenser is very hot and can cause scalds or burns. **Read all warnings on page 4 prior to use.**
- Do not permit children to use the brewer.
- Always use a container that is suitable for hot liquids (ceramic, foam, etc.)
- Do not brew into a mug made of glass. Doing so may cause the glass to crack or break.
- If you live above 5000 feet, press **Fridge** and **Door Alarm** and control will cycle from Low Altitude (Lo AL) to High Altitude (Hi AL).
- **DO NOT** use the hot water dispenser immediately after installing a new water filter as it may result in spurting of hot water. Dispense cold water for about 5 minutes to purge air from the system prior to dispensing hot water.

*Select Models Only

About the K-Cup Brewing System.* (Cont)

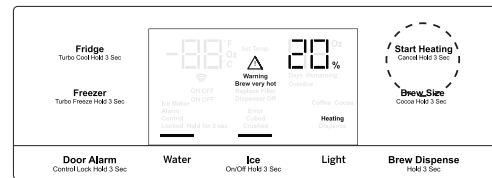
- 1** **Load the K-Cup Brewer**
 Insert a Keurig K-Cup pod into the brewer and press down firmly (you will hear a popping sound).



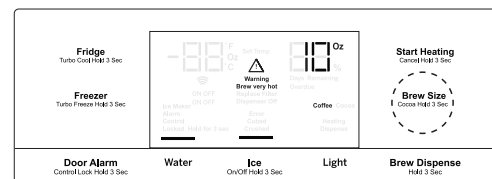
CAUTION **Cut/Puncture Hazard.**

- There are two sharp needles located inside the K-Cup brewer. To avoid risk of injury, do not put your fingers inside the brewer. Use caution when cleaning.
- Keep the K-Cup brewer out of the reach of children, as they may be injured in using the K-Cup brewer incorrectly.

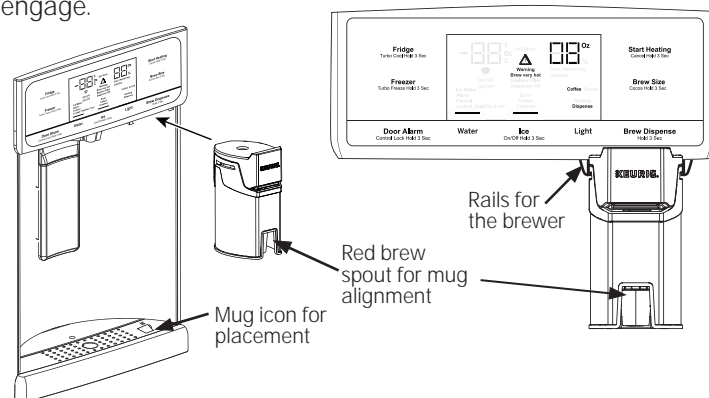
- 2** **Two Ways To Brew**
1. Press the **Start Heating** button.
OR
 2. Initiate heating with the GE Kitchen App. Download the App "GE Kitchen". Visit www.GEAppliances.com/connect for more information.**



- 3** **Change Brew Size**
- Press the **Brew Size** button any time during the heating cycle to choose 6, 8, or 10 oz. The default size is 8 oz. Ensure the mug being used is large enough for the size selected.
- NOTE:** Press and hold the **Brew Size** button for 3 seconds to toggle between Coffee and Cocoa. The default is **Coffee**.
- NOTE:** To abort the heating cycle, press and hold the **Start Heating** button for 3 seconds. To abort the brew dispense cycle, press and hold the **Start Heating** button for 3 seconds, press the paddle, press any button on the display besides **Brew Size** or **Brew Dispense**, or open the right fresh food door.

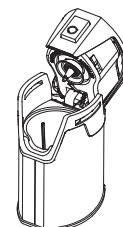


- 4** **Dispense**
- Once the heating process is complete, the Dispense light on the display will flash. To dispense, slide the brewer into the rails. Make sure the brewer is pushed all the way into the bracket. Place your mug on the drip tray mug icon, under the red brew spout. Press and hold **Brew Dispense** for 3 seconds until you hear the dispenser engage.



Cleaning the brewer

- The K-Cup brewer is top rack dishwasher safe.
- It is recommended to rinse it thoroughly after washing to remove all soap residue.
- Periodic cleaning of dispenser recess area is recommended as staining may occur with usage of the K-Cup brewer.



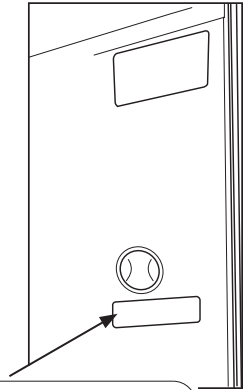
*Select Models Only ** For US and US Territories Only.

Appliance Communication

GE WiFi Connect (for customers in the United States)

GE WiFi Connect Enabled (PFE28P PYE22P, PFH models only)*

If your refrigerator has a Connected Appliance information label located on the inside as shown, your refrigerator can be connected to your WiFi network, allowing it to communicate with your smart phone for remote monitoring, control and notifications. Depending on the refrigerator model you have, you either have a WiFi communication card built into the product, or a port for an external WiFi ConnectPlus Module (sold separately). Please visit www.GEAppliances.com/connect to learn more about connected appliance features, and to learn what connected appliance apps will work with your Smart Phone.** To use your WiFi, press *Water* and *Light* on the control panel.



Connected Appliance Information	
Contains FCCID: ZKJ-WCATA003	Network: GE_MODULE_XXXX
Contains IC: 10229A-WCATA003	Password: XXXXXXXXX
MAC ID: D8-28-C9-XXXXXXXX	PT. NO. 257C2110G001

*GE WiFi Connect Optional **

Your refrigerator is *GE WiFi Connect* compatible using the *GE ConnectPlus* module that is provided with your refrigerator. To connect this appliance to the internet you will need to attach the module to your appliance through the communication port in the appliance. The *GE ConnectPlus* will allow your appliance to communicate with your smart phone for remote appliance monitoring, control and notifications. Please visit www.GEAppliances.com/connect to learn more about connected appliance features, to learn what connected appliance App's will work with your Smart Phone and to learn where you can purchase a *GE ConnectPlus*.**

WiFi Connectivity: For assistance with the appliance or the *ConnectPlus* network connectivity (for models that are WiFi enabled or WiFi optional), please call **1-800-220-6899**.

REGULATORY INFORMATION

FCC/IC Compliance Statement:

This device complies with Part 15 of the FCC Rules. Operation is subject to the following two conditions:

1. This device may not cause harmful interference.
2. This device must accept any interference received, including interference that may cause undesired operation.

This equipment has been tested and found to comply with the limits for a Class B digital device, pursuant to Part 15 of the FCC Rules. These limits are designed to provide reasonable protection against harmful interference in a residential installation. This equipment generates uses and can radiate radio frequency energy and, if not installed and used in accordance with the instructions, may cause harmful interference to radio communications. However, there is no guarantee that interference will not occur in a particular installation. If this equipment does cause harmful interference to radio or television reception, which can be determined by turning the equipment off and on, the user is encouraged to try to correct the interference by one or more of the following measures:

- Reorient or relocate the receiving antenna.
- Increase the separation between the equipment and receiver.
- Connect the equipment into an outlet on a circuit different from that to which the receiver is connected.
- Consult the dealer or an experienced radio/television technician for help.

Labelling: Changes or modifications to this unit not expressly approved by the manufacturer could void the user's authority to operate the equipment.

ConnectPlus module only (or similar communication module)

RF Exposure - This device is only authorized for use in a mobile application. At least 20 cm of separation distance between the *ConnectPlus* device and the user's body must be maintained at all times.

*Select Models Only ** For US and US Territories Only.

About the GE® RPWFE water filter cartridge.

GEAppliances.com

Water Filter Cartridge

The water filter cartridge is located in the fresh food interior on the left side wall, near the top.

This product uses radio frequency identification (RFID) to detect leaks and monitor filter status. The RFID technology is certified by the FCC.

FCCID: ZKJ-EBX1532P001 ICID: 10229A-EBX1532P001

"This device complies with part 15 of the FCC Rules. Operation is subject to the following two conditions: (1) This device may not cause harmful interference, and (2) this device must accept any interference received, including interference that may cause undesired operation."

"This device complies with Industry Canada licence-exempt RSS standard(s). Operation is subject to the following two conditions: (1) this device may not cause interference, and (2) this device must accept any interference, including interference that may cause undesired operation of the device."

When to replace the filter cartridge

The filter cartridge should be replaced every six months or earlier if 170 gallons of water has been dispensed or the flow of water to the dispenser or icemaker decreases.

Touch Screen Models: A filter status message will appear on the screen when the water filter needs to be replaced. The filter status will automatically update when the filter is replaced.

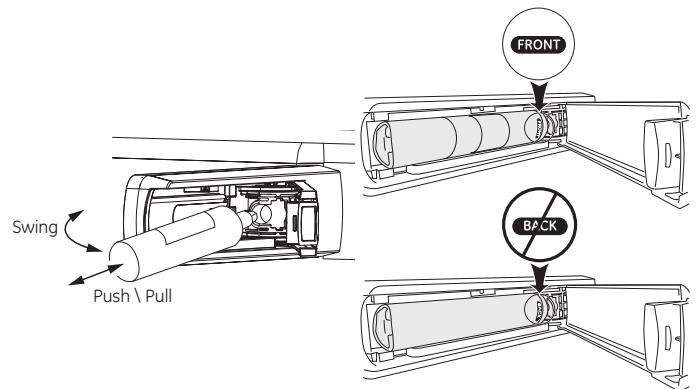
Non-touch Screen Models: A filter indicator light will illuminate on the screen when the water filter needs to be replaced.

Removing the filter cartridge

To replace the filter, first remove the old cartridge by opening the filter door and pulling on the bottom of the cartridge to allow it to swing outward. When the cartridge can no longer swing, gently pull to unseat it from the cartridge holder. **DO NOT TWIST CARTRIDGE.** A small amount of water may drip out.

Installing the Filter Cartridge

1. Align top of filter cartridge with cartridge holder with the word "FRONT" facing outward then push the cartridge toward the rear of the unit until it is fully seated. **DO NOT TWIST THE FILTER CARTRIDGE!**
2. While continuing to ensure cartridge is fully seated in the holder, gently swing the filter inward until it is in position. If filter will not swing easily, check to ensure filter is properly aligned and fully seated within the cartridge holder. Close the filter door.



3. Run two gallons of water through the cold water dispenser (about 5 minutes) to remove air from the system. **A newly installed filter cartridge will cause water to spurt from the dispenser.** Use a large pitcher or sports bottle to catch the water spray. **DO NOT** use hands-free auto-fill (some models) until all air is removed from the system.
4. Reset Filter Status message (non-touch screen models).

WARNING Scalding Hazard.*

Use of the hot water dispenser prior to purging air from the system may result in spurting of hot water and lead to hot water scalding. Follow the instructions above to purge all air from the system through the cold water dispenser prior to using the hot water dispenser.

Note: It is normal for water to appear discolored during the initial system flush. Water color will return to normal after first few minutes of dispensing.

Filter Bypass Plug

To reduce the risk of property damage due to water leakage, you **MUST** use the filter bypass plug when a replacement filter cartridge is not available. The dispenser and icemaker will not operate without either the filter or bypass plug installed. The bypass plug is installed in the same way as a filter cartridge.

*Select Models Only

WARNING To reduce the risk associated with choking, do not allow children under 3 years of age to have access to small parts during the installation of this product. The disposable filter cartridge should be replaced every 6 months at the rated capacity, or sooner if a noticeable reduction in flow rate occurs.

For the maximum benefit of your filtration system, GE Appliances recommends the use of GE Appliances-branded filters only. Using GE Appliances-branded filters in GE Appliances and Hotpoint® refrigerators provides optimal performance and reliability. GE Appliances filters meet rigorous industry NSF standards for safety and quality that are important for products that are filtering your water. GE Appliances has not qualified non-GE Appliances-branded filters for use in GE Appliances and Hotpoint refrigerators and there is no assurance that non-GE Appliances-branded filters meet GE Appliances standards for quality, performance and reliability.

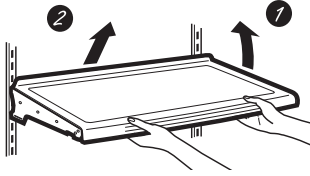
If you have questions, or to order additional filter cartridges, visit our website at www.geapplianceparts.com or call GE Appliances Parts and Accessories, 877.959.8688.

Customers in Canada should consult the yellow pages for the nearest Camco Service Center.

About the fresh food storage options.

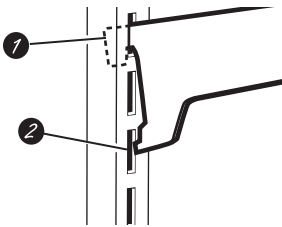
Rearranging the Shelves

Shelves in the refrigerator compartment are adjustable.



To remove:

- 1 Remove all items from the shelf.
- 2 Tilt the shelf up at the front.
- 3 Lift the shelf up at the back and bring the shelf out.

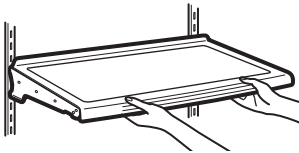


To replace:

- 1 While tilting the shelf up, insert the top hook at the back of the shelf in a slot on the track.
- 2 Lower the front of the shelf until the bottom of the shelf locks into place.

Spillproof Shelves

Spillproof shelves have special edges to help prevent spills from dripping to lower shelves.

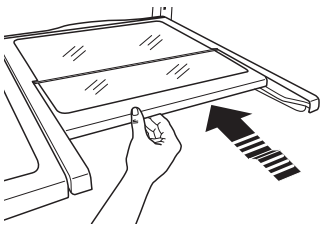


Quick Space Shelf *

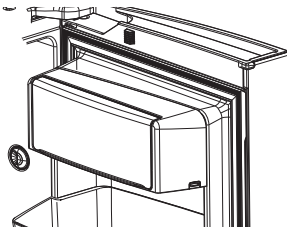
This shelf splits in half and slides under itself for storage of tall items on the shelf below.

This shelf can be removed and replaced or relocated (just like spillproof shelves).

NOTE: The location of the upper Quick Space Shelf is not adjustable.



*Select Models Only



Non-Adjustable Dairy Bin*

To remove: Lift the dairy bin straight up, then pull out.

To replace: Engage the bin in the molded door supports and push down. The bin will lock in place. See page 36.

Adjustable Bins on the Door

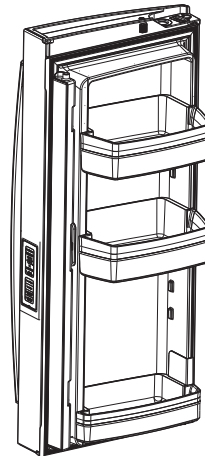
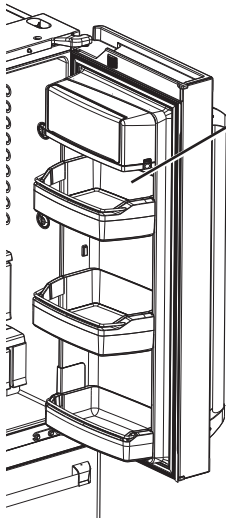
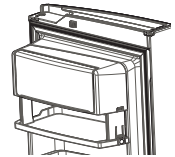
Adjustable bins can easily be carried from refrigerator to work area.

To remove: Lift bin straight up, then pull out.

To replace or relocate: Slide in the bin just above the molded door supports, and push down. The bin will lock in place. See page 36.

Drop down tray* (tray open)

1. Open right fresh food door
2. Depress both buttons on lower sides of bin and bin will drop down.
3. Reverse to reinstall.



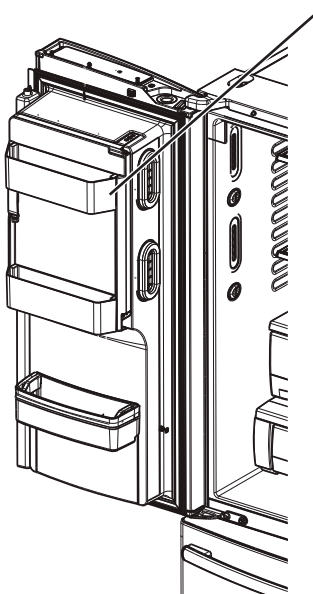
Non-Dispense Models (Left Hand Door)

Non-Adjustable Bins on the Door (Dispenser Models - Left Hand Door)

To remove: Lift the bin straight up, then pull out.

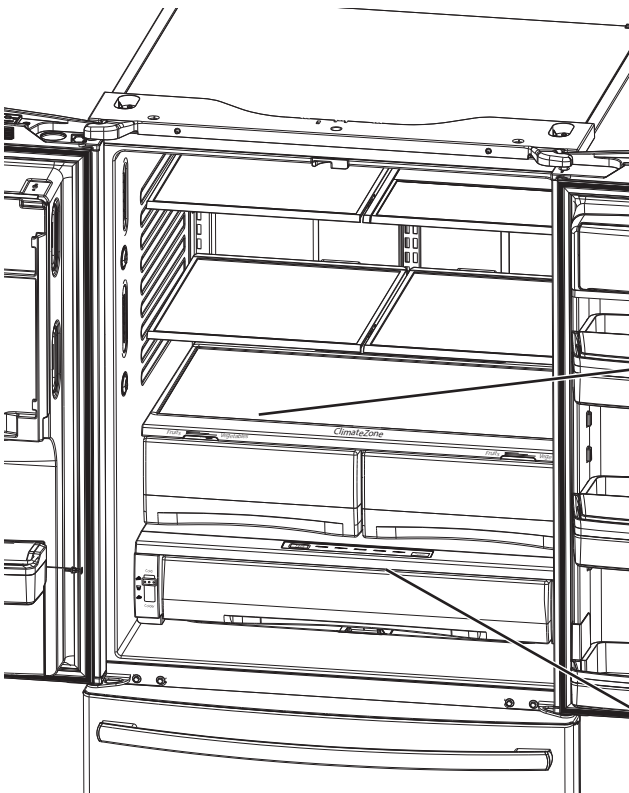
To replace: Engage the bin in the molded supports on the door and push down. It will lock in place.

The ice maker door bins are not interchangeable, note the location upon removal and replace the bin in its proper location.



*Select Models Only

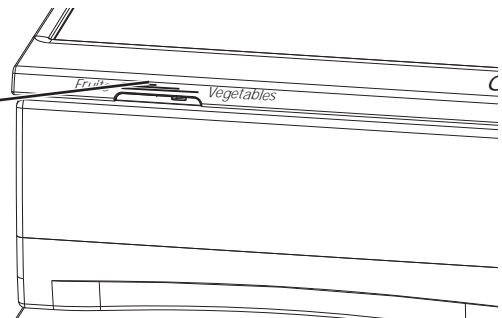
About the climate zone and temperature controlled drawer.



ClimateZone

Keep fruits and vegetables organized in separate compartments for easy access.

Excess water that may accumulate in the bottom of the drawers or under the drawers should be wiped dry.



Temperature Controlled Drawer*

The Temperature Controlled Drawer is a full-width drawer with adjustable temperature control. This drawer can be used for large miscellaneous items.

To change setting, press select button.

Note: Temperatures indicate the appropriate temperatures for the food and actual temperatures may vary based on normal operation and other factors such as door openings and fresh food set point.



32° 34° 36°

⚠ CAUTION

Laceration Hazard.

Do not store glass bottles at this setting. If they are frozen, they can break and result in personal injury.

*Select Models Only

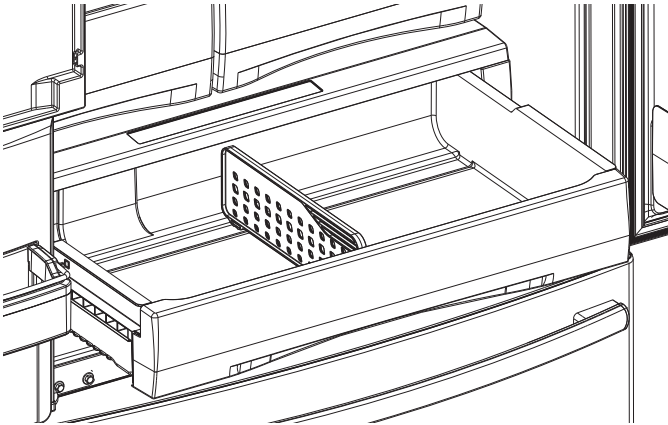
How to Remove and Replace the Adjustable Deli/Produce Drawer

To remove:

- 1 Pull the drawer out to the stop position.
- 2 Lift the front of the drawer up and out.

To replace:

- 1 Pull left and right slides until fully extended.
- 2 Place drawer back in first and rotate drawer front down to seat on slide.
- 3 Push the drawer in to closed position.



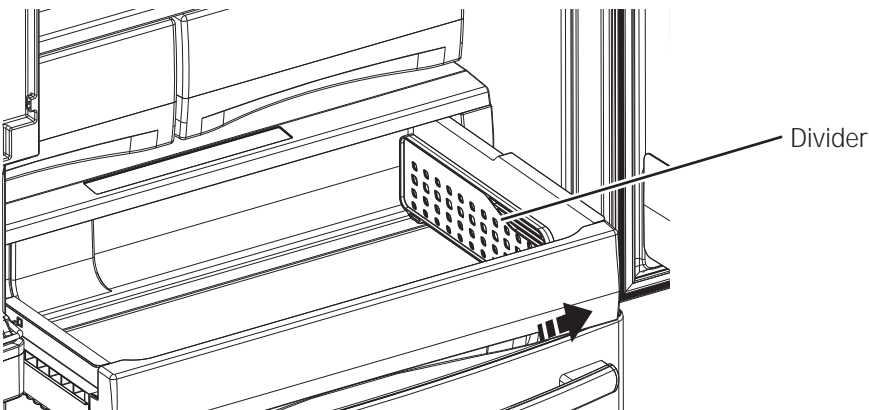
How to Remove and Replace Drawer Divider*

To remove:

- 1 Pull the drawer out to the stop position.
- 2 Raise the front side of the divider to unhook it from the rear wall of the drawer.

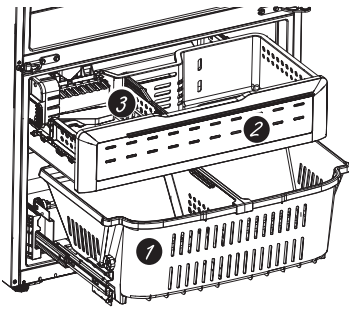
To replace:

- 1 Hook the back of the divider over the rear wall of the drawer.
- 2 Push the divider down.



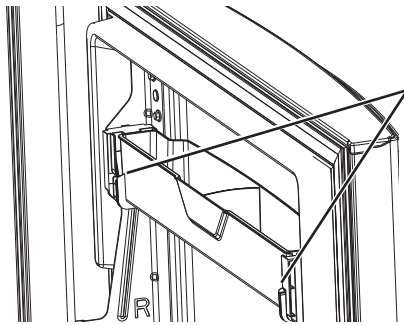
*Select Models Only

About the freezer.



Freezer Basket and Drawer

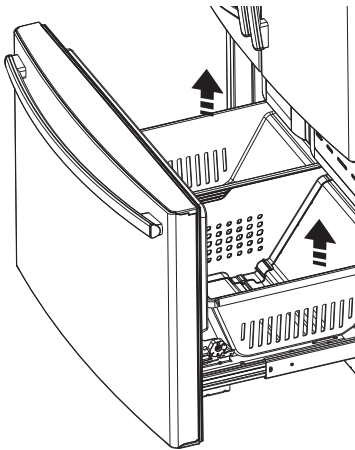
- 1 Basket.
- 2 Drawer
- 3 Ice Bucket * (Available on Non-Dispense models only. Available as a IM Kit on some models)



Non-Adjustable Bin in the Freezer*

To remove: push in plastic tab on either left or right side

To replace: slide bin into location until it locks into place.



Basket Removal

To remove, standard depth models only:

- 1 Open freezer door to the stop position.
- 2 Remove freezer door bin by pushing plastic tab on either left or right side to release bin hinge pin.
- 3 Remove freezer basket by lifting up the rear of the basket and moving basket rearward until the front of the basket can be rotated upward and out.
- 4 Lift it out to remove.

To remove, counter depth models only:

- 1 Open fresh food doors.
- 2 Open freezer door to the stop position.
- 3 Remove freezer basket by lifting up the rear of the basket and rotate it upward.
- 4 Lift it out to remove.

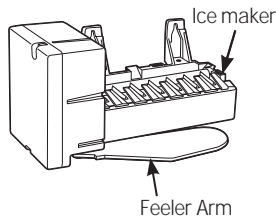
To replace:

Reverse step 1 through 4 to replace.

*Select Models Only

About the automatic ice maker.

A newly installed refrigerator may take 12 to 24 hours to begin making ice.



Automatic Ice Maker*

The ice maker will produce seven cubes per cycle approximately 100–130 cubes in a 24-hour period, depending on freezer compartment temperature, room temperature, number of door openings and other use conditions.

The ice maker will fill with water when it cools to 15°F (–10°C). A newly installed refrigerator may take 12 to 24 hours to begin making ice cubes.

If the refrigerator is operated before the water line connection is made to the unit or if the water supply to an operating refrigerator is turned off, make sure that the ice maker is turned off. Once the water has been connected to the refrigerator, the ice maker may be turned on. See the table below for details.

You may hear a buzzing sound each time the ice maker fills with water.

Throw away the first few batches of ice to allow the water line to clear.

Be sure nothing interferes with the sweep of the feeler arm.

When the bin fills to the level of the feeler arm, the ice maker will stop producing ice. It is normal for several cubes to be joined together.

If ice is not used frequently, old ice cubes will become cloudy, taste stale and shrink.

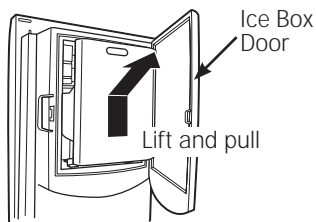
NOTE: In homes with lower-than-average water pressure, you may hear the ice maker cycle multiple times when making one batch of ice.

WARNING

To minimize the risk of personal injury, avoid contact with the moving parts of the ejector mechanism, or with the heating element that releases the cubes. Do not place fingers or hands on the automatic ice making mechanism while the refrigerator is plugged in.

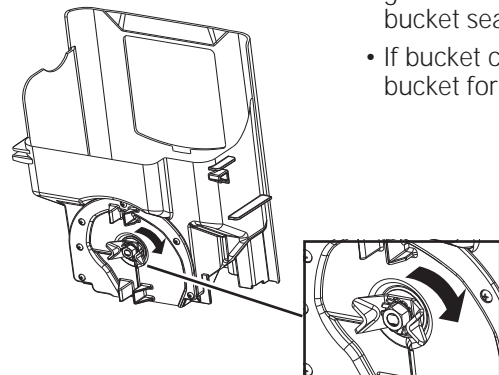
How to Turn the Ice Maker On/Off

Display Type (See Page 7)	Model #	How to turn the ice maker on/off
Control Style A	PFE28P, PYE22P	Use the "ICE" button on the control. See <i>Controls</i> , pages 9 & 10.
Control Style B, C	PFH28, PFE28K, DFE28, GFE28, GFE26, PYE22K, DYE22K, GYE22	Use the "ICE MAKER" button on the control. See <i>Controls</i> , pages 9 & 10.
Control Style D	GNE29, PWE23	Use the "ICE MAKER" button on the control. See <i>Controls</i> , pages 9 & 10.



Ice Bucket and Dispenser*

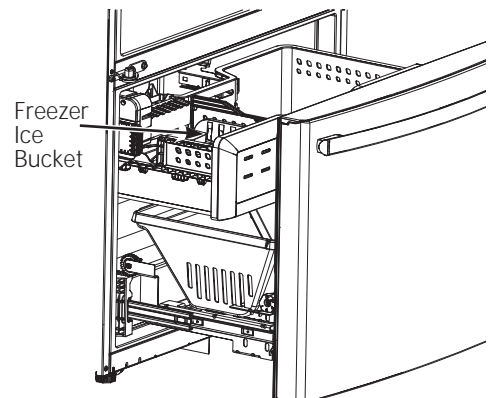
- Open the ice box door on inside of the left door.
- Pull up and out on on the ice bucket in the left hand door to remove it from the compartment.
- To replace the ice bucket, set it on the guide brackets and push until the ice bucket seats properly.
- If bucket cannot be replaced, rotate the ice bucket fork 1/4 turn clockwise.



Ice Maker (Available on Non Dispense models, also available as IM Kit for some models)

There is additional ice storage in the freezer compartment drawer.

- Open the freezer drawer.
- The ice bucket is located on the left side of the upper basket.
- Pull the upper basket forward to remove the ice bucket.



*Select Models Only

Care and cleaning of the refrigerator.

Cleaning the Outside

The stainless steel panels, door handles and trim.

The stainless steel doors and door handles (on some models) can be cleaned with a commercially available stainless steel cleaner. Cleaners with oxalic acid such as Bar Keepers Friend Soft Cleanser™ will remove surface rust, tarnish and small blemishes. Use only a liquid cleanser free of grit and rub in the direction of the brush lines with a damp soft sponge. Do not use appliance wax or polish on the stainless steel.

Silver-accented plastic parts.

Wash parts with soap or other mild detergents. Wipe clean with a sponge, damp cloth or paper towel. Do not use scouring pads, powdered cleaners, bleach or cleaners containing bleach because these products can scratch and weaken the paint finish. Do not wash tray in the dishwasher.

Should metal spill tray need cleaning use lime remover.

Cleaning the Inside

To help prevent odors, leave an open box of baking soda in the refrigerator and freezer compartments.

Unplug the refrigerator before cleaning.

If this is not practical, wring excess moisture out of sponge or cloth when cleaning around switches, lights or controls.

Use an appliance wax polish on the inside surface between the doors.

Use warm water and baking soda solution—about a tablespoon (15 ml) of baking soda to a quart (1 liter) of water.

This both cleans and neutralizes odors.

Rinse and wipe dry.

CAUTION

Do not clean glass shelves or covers with warm water when they are cold. Glass shelves and covers may break if exposed to sudden temperature changes or impact such as bumping or dropping. Tempered glass is designed to shatter into many small pieces if it breaks.

Do not wash any plastic refrigerator parts in the dishwasher.

Behind the Refrigerator

Be careful when moving the refrigerator away from the wall. All types of floor coverings can be damaged, particularly cushioned coverings and those with embossed surfaces.

Raise the leveling legs located at the bottom front of the refrigerator.

Pull the refrigerator straight out and return it to position by pushing it straight in. Moving the refrigerator in a side direction may result in damage to the floor covering or refrigerator.

Lower the leveling legs until they touch the floor.

When pushing the refrigerator back, make sure you don't roll over the power cord or water supply line.

Preparing for Vacation

For long vacations or absences, remove food and unplug the refrigerator. Clean the interior with a baking soda solution of one tablespoon (15 ml) of baking soda to one quart (1 liter) of water. Leave the doors open.

If the temperature can drop below freezing, have a qualified service technician drain the water supply system to prevent serious property damage due to flooding.

- 1) Turn refrigerator off (pg. 9) or unplug the refrigerator.
- 2) Empty ice bucket
- 3) Turn water supply off

If you cut the water supply off, turn off the ice maker (pg. 21).

Upon returning from vacation:

- 1) Replace the water filter.
 - 2) Run 2 gallons of water through the cold water dispenser (about 5 minutes) to flush the system.
-

Preparing to Move

Secure all loose items such as shelves and drawers by taping them securely in place to prevent damage.

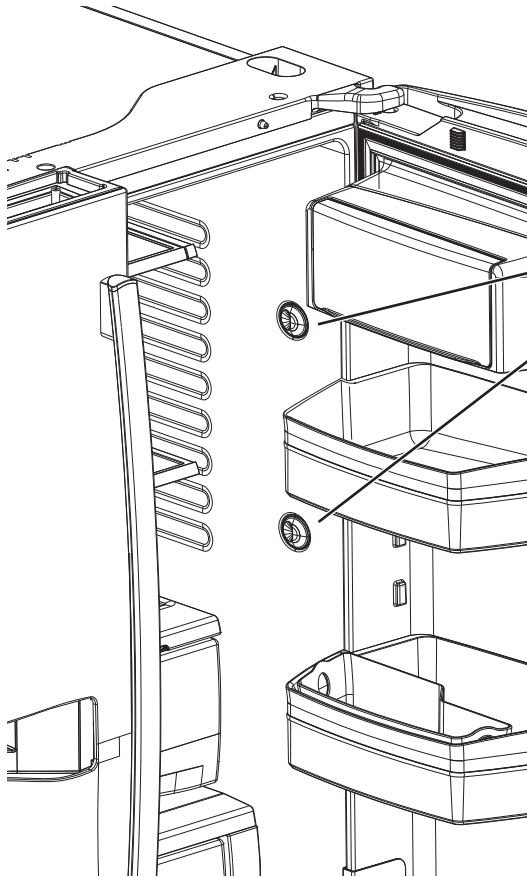
When using a hand truck to move the refrigerator, do not rest the front or back of the refrigerator against the hand truck. This could damage the refrigerator.

Handle only from the sides of the refrigerator.

Be sure the refrigerator stays in an upright position during moving.

Refrigerator Lights (LEDs)

Appearance may vary by model.



There is LED lighting in fresh food compartment and on the bottom of the fresh food doors to light the freezer compartment.*

An authorized technician will need to replace the LED light.

If this assembly needs to be replaced, call GE Appliances Service at 1.800.432.2737 in the United States or 1.800.561.3344 in Canada.

*Select Models Only

Installation Instructions

Refrigerator

GE and GE Profile™ models

Questions? Call 800.GE.CARES (800.432.2737) or visit our Website at: GEAppliances.com
In Canada, call 1.800.561.3344 or visit our Website at: www.GEAppliances.ca

BEFORE YOU BEGIN

Read these instructions completely and carefully.

⚠ WARNING



Tip Over Hazard.

Built-in style models (model PYE, GYE, DYE, CWE, CYE, PWE, and ZWE) are top heavy, especially with any doors open. These models must be secured with the anti-tip floor bracket to prevent tipping forward, which could result in death or serious injury. Read and follow the entire installation instructions for installing the anti-tip floor bracket packed with your refrigerator.

- **IMPORTANT** – Observe all governing codes and ordinances. Save these instructions for local inspector's use.
- Note to Installer – Be sure to leave these instructions with the Consumer.
- Note to Consumer – Keep these instructions for future reference.
- Skill level – Installation of this appliance requires basic mechanical skills.
- Completion time – Refrigerator Installation can vary
Water Line Installation 30 minutes
- Proper installation is the responsibility of the installer.
- Product failure due to improper installation is not covered under the Warranty.

PREPARATION

MOVING THE REFRIGERATOR INDOORS

If the refrigerator will not fit through a doorway, the refrigerator door and freezer drawer can be removed.

- To remove the refrigerator door, see the Installing the Refrigerator section.
- To remove the freezer drawer, see the Removing the Freezer Drawer section.

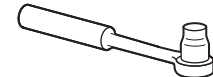
WATER SUPPLY TO THE ICE MAKER AND DISPENSER

If the refrigerator has an ice maker, it will have to be connected to a cold water line. A GE Appliances water supply kit (containing tubing, shutoff valve, fittings and instructions) is available at extra cost from your dealer, by visiting our website at GEAppliances.com (in Canada at www.GEAppliances.ca) or from Parts and Accessories, 877.959.8688 (in Canada 1.800.661.1616).

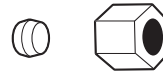
TOOLS YOU MAY NEED



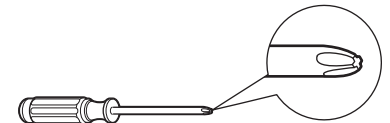
Adjustable Wrench



3/8" Socket Ratchet/Driver



1/4" Outer Diameter
Compression Nut
and Ferrule (sleeve)



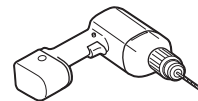
Phillips-Head Screwdriver



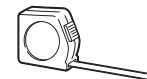
1/8", 3/32", 1/4" & 5/32"
Allen Wrenches



Flat-Head Screwdriver



1/8" Drill Bit and
Electric or Hand Drill



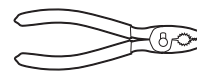
Tape Measure



Pencil



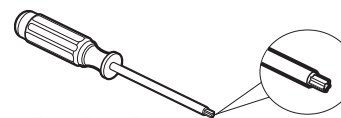
1/4" Nut Driver
5/16" Nut Driver



Pliers



Level



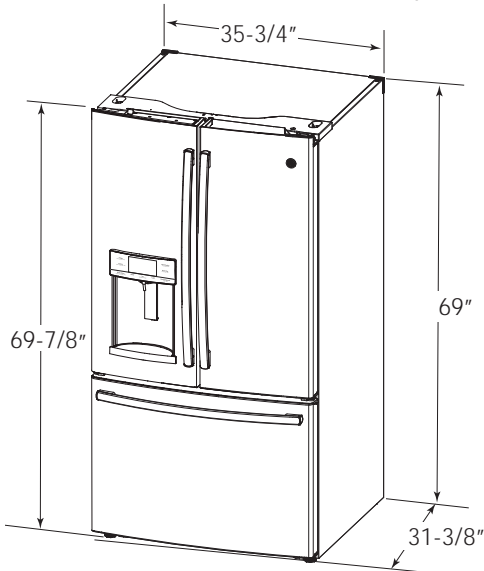
Torx T20, T25

Installation Instructions

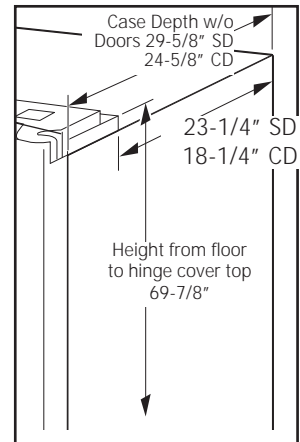
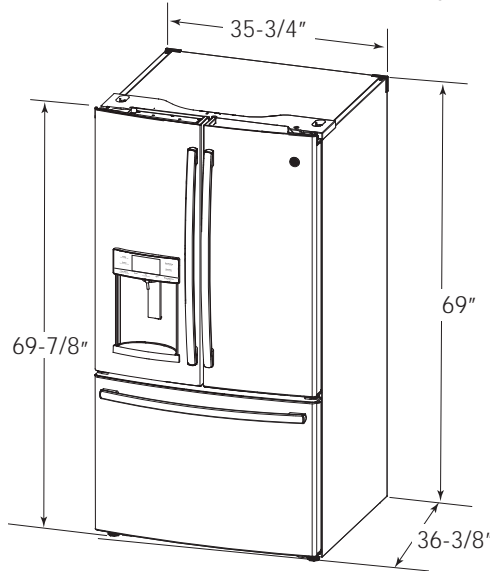
DIMENSIONS

All measurements are given with leveling leg fully retracted.

Counter Depth (CD) Models Only



Standard Depth (SD) Models Only



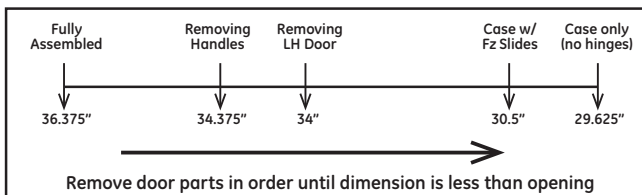
Additional Dimensions

	SD	CD
Overall Height to Top of Hinge Cover	69-7/8"	69-7/8"
Height to Top of Cabinet	69"	69"
Case Depth without Doors	29-5/8"	24-5/8"
Overall Exterior Case Width	35-3/4"	35-3/4"
Overall Exterior Depth Doors/Drawers with Handles	36-3/8"	31-3/8"

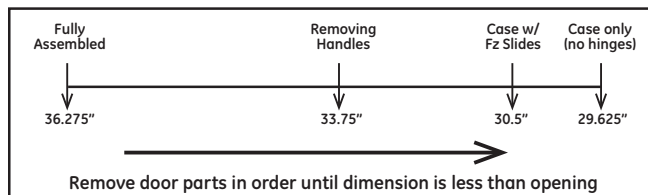
MOVING THE REFRIGERATOR

- Using the chart below determine if the width of your passageway can accommodate the depth of the refrigerator. Ensure you have clearance to prevent damage to the refrigerator before safely moving it to the final location.
- If passageways are large enough to accommodate the refrigerator without removing the handles skip to Step 6. Leave tape, film and all packaging on doors until the refrigerator is in the final location.
- NOTE:** Use a padded hand truck or moving straps to move this refrigerator. Place the refrigerator on the hand truck with a side against the truck. We strongly recommend that two people move and complete this installation.

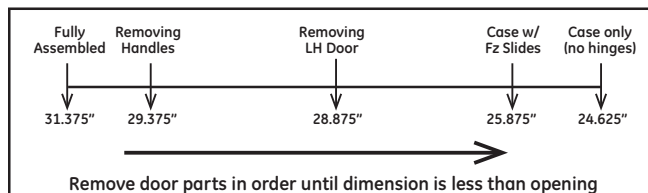
If your model number starts with PFE, PFH, GFE, DFE (SD)



If your model number starts with GNE (SD)



If your model number starts with DYE, GYE, PYE, PWE (CD)



Installation Instructions

INSTALLING THE REFRIGERATOR

REFRIGERATOR LOCATION

- Do not install the refrigerator where the temperature will go below 60°F (16°C) because it will not run often enough to maintain proper temperatures.
- Do not install the refrigerator where the temperature will go above 100°F (37°C) because it will not perform properly.
- Do not install the refrigerator in a location exposed to water (rain, etc.) or direct sunlight.
- Install it on a floor strong enough to support it fully loaded.

CLEARANCES

Allow the following clearances for ease of installation, proper air circulation and plumbing and electrical connections.

Sides	1/8" (3 mm)
Top	1" (25 mm) Cabinet/Hinge Cover
Back	2" (50 mm)

REMOVING THE REFRIGERATOR DOORS

- **IMPORTANT NOTE:** This refrigerator is 36¹/₄" deep (31¹/₄" for CD models). Doors and passageways leading to the installation location must be at least 36¹/₄" wide in order to leave the doors and handles attached to the refrigerator while transporting it into the installation location. If passageways are less than 36¹/₄", the refrigerator doors and handles can easily be scratched and damaged. The top cap and doors can be removed to allow the refrigerator to be safely moved indoors. If passageways are less than 31¹/₄", start with Step 1.
- If it is not necessary to remove doors, skip to Step 11. Leave tape and all packaging on doors until the refrigerator is in the final location.
- **NOTE:** Use a padded hand truck to move this refrigerator. Place the refrigerator on the hand truck with a side against the truck. We strongly recommend that **TWO PEOPLE** move and complete this installation.

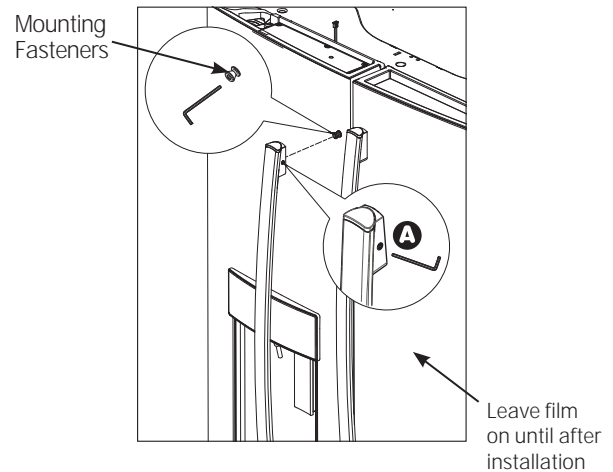
1 REMOVE THE FRESH FOOD DOOR HANDLE

Handle design varies based on models, however installation is same.

Stainless steel and plastic handles:

- **A** Loosen the set screws with the 1/8" Allen wrench and remove the handle.

NOTE: If the handle mounting fasteners need to be tightened or removed, use a 1/4" Allen wrench.



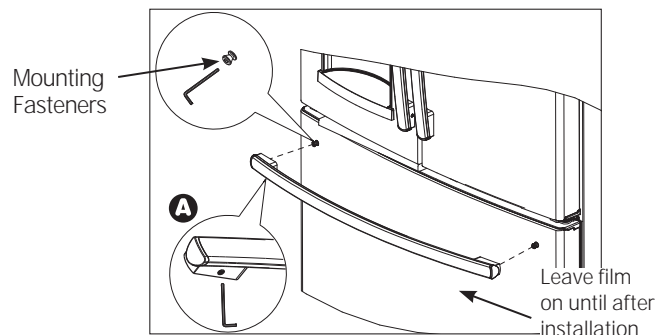
2 REMOVE THE FREEZER DOOR HANDLE

Handle Design varies based on models, however Installation is same.

Stainless steel and plastic handles:

- **A** Loosen the set screws with the 1/8" Allen wrench and remove the handle.

NOTE: If the handle mounting fasteners need to be tightened or removed, use a 1/4" Allen wrench.

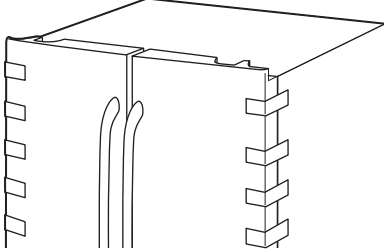


Reinstall the handles using the same procedure as removing.

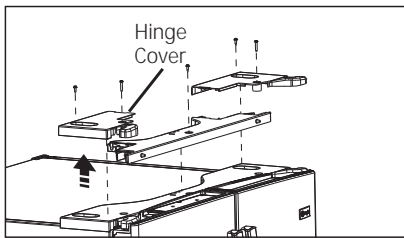
Installation Instructions

3 REMOVE THE REFRIGERATOR DOORS

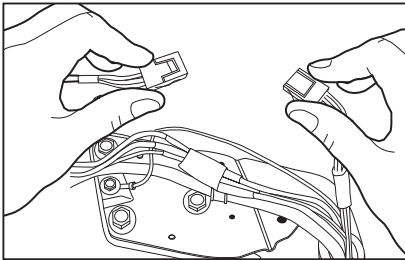
- A** Securely tape the door shut with masking tape or have a second person support the door.



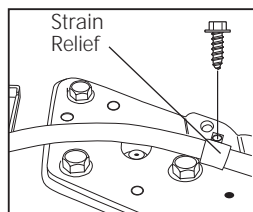
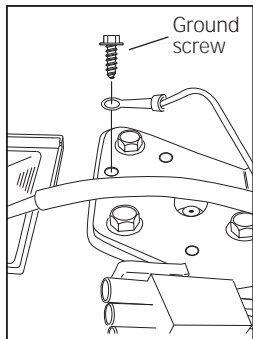
- B** Start with left-hand door first: Remove the hinge cover on top of the left refrigerator door by removing all hex screws and pulling it up. Do the same for the right-hand door and the middle cover.



- C** Disconnect both electrical connectors at the top cover.

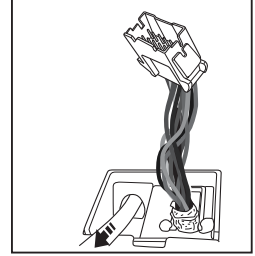
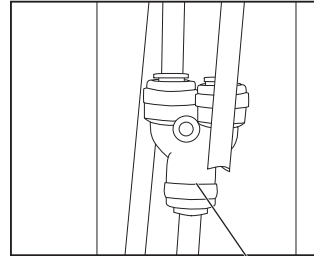


Remove the 1/4" hex head screw to disconnect the ground wire from the hinge.
Remove the 1/4" hex head screw to remove the strain relief from the water line.

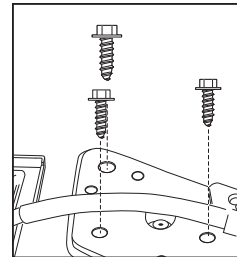


3 REMOVE THE REFRIGERATOR DOORS (cont)

- D** Disconnect the water line from the back of the unit by pressing down on the dark grey collar while pulling up on the water line.
Pull water line through case conduit from the top to free the line for door removal. The water line is more than 4' long and may need to be taped to Door for accessibility when reinstalling.



- E** Using a 3/8" socket ratchet/driver, remove the screws securing the top hinge to the cabinet, then lift the hinge straight up to free the hinge pin from the location in the top of the door.



CAUTION Lifting Hazard.

Single person lift could cause injury. Use assistance when handling, moving or lifting the refrigerator doors.

Note: when removing door, to prevent damage to door and electronics, carefully place the door in a proper location.

Note: The lower door hinge pin and hinge are keyed and must be matched correctly for the door to self close properly. Please follow the directions carefully.

Installation Instructions

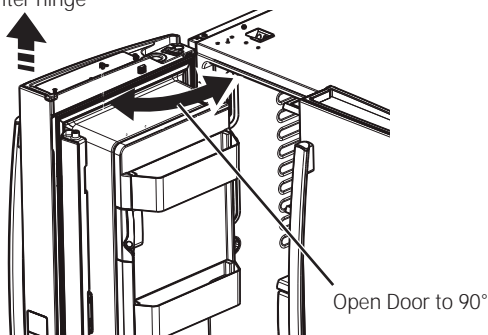
INSTALLING THE REFRIGERATOR (cont.)

REMOVE THE REFRIGERATOR DOORS (cont)

Note: For proper installation later, please follow the next step carefully.

- F** Remove the tape and keeping the door as straight as possible, open the door to 90° then lift straight up to remove it.

Lift up & off center hinge



Open Door to 90°

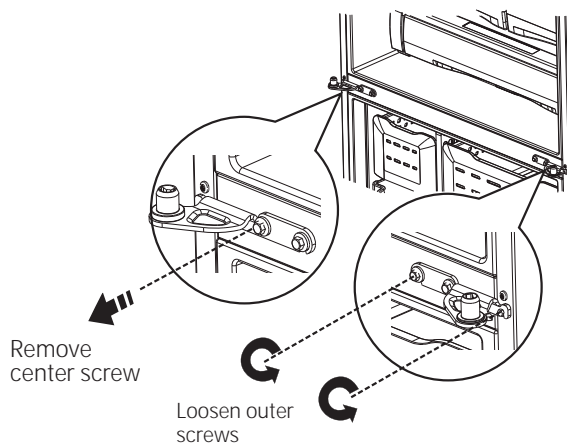
REMOVE OPPOSITE DOOR

Follow the same procedure on the opposite door. There are no wires or water lines on the opposite side.

4 REMOVE CENTER HINGE (if necessary)

Remove the 3/8" screws securing the center hinge to the cabinet.

Use T20 driver to remove outboard screw.



Remove center screw

Loosen outer screws

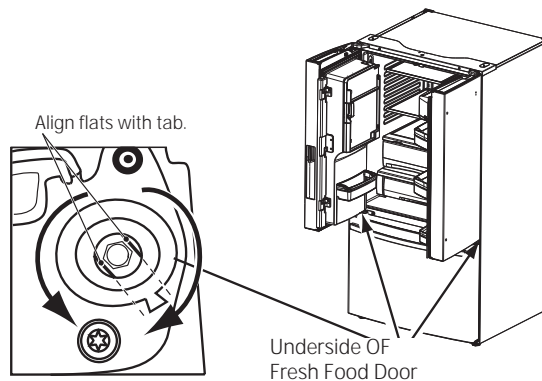
5 REINSTALLING THE REFRIGERATOR DOORS

Reverse steps 1 through 4 to reinstall refrigerator doors, follow details below for critical alignments.

- A** Reinstall center hinge first and torque the screws to 65 in-lbs. With the LH door at 90° to the front of the case, lower the refrigerator door onto the center hinge. Ensure that the door and hinge align correctly.



- B** Rotate doors closed and make sure moveable center sealing portion of the door aligns with the striker. *If the door will not self-close after reinstalling, remove door, turn door upside down, check alignment mark and arrow; (there is an alignment mark on the door closure mechanism. It corresponds to an alignment arrow on the plastic ring. Rotate door closure mechanism to align mark and arrow, reinstall door).*



If door cannot be installed at 90° follow steps below:

1. Install door at 180° to case front.
2. If space limits opening door to less than 180°, then:
 - a) Remove door, carefully turn door upside down.
 - b) Check alignment of door closure mechanism shaft on underside of door. The flats on the shaft should correspond to alignment tab on plastic ring or mark on bottom end cap.
 - c) If shaft is not aligned to tab/mark, using 5/32" Allen wrench, rotate door closure mechanism shaft counterclockwise for right door and clockwise for left door. Then align flat with tab/mark.
 - d) Install the door at 90°.

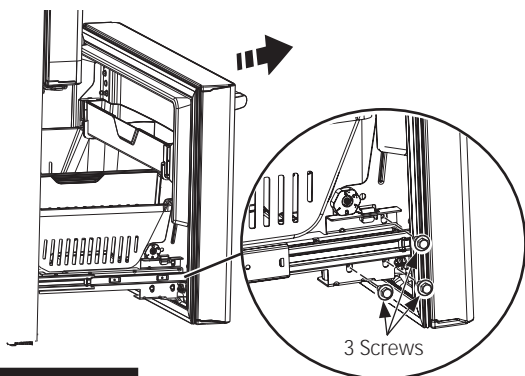
Securely tape the door shut with masking tape or have a second person support the door. Reinstall the top hinge and torque the screws to 65 in-lbs.

- C** Be sure to reinstall the ground wire and strain relief to the top hinge.
- D** Reinstall hinge cover. **NOTE:** Ensure wires are not pinched or under screw bosses before tightening screws.

Installation Instructions

6 PREPARE FOR INSTALLATION

- A Pull the freezer door open to full extension.
- B Remove 3 attachment screws, located at the bottom on each side of the freezer door using 3/8" hex socket driver.

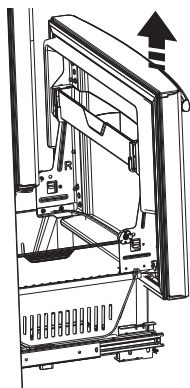


CAUTION Lifting Hazard

Freezer door is heavy Use both hands to secure the door before lifting.

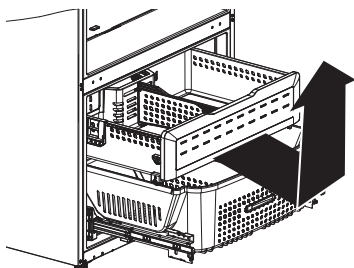
- C Lift the freezer door to disengage it from the slide mechanism

The door can safely rest on the bottom. Do not rest the door on any other surfaces to avoid scratches.



7 REMOVE FREEZER BASKET

- A Pull the lower basket and slide mechanism to full extension using both hands.
- B Remove the top freezer drawer by fully extending the drawer then lifting up and out.
- C Remove the basket resting on the slides.
- D Push the bottom basket slides back until the slide mechanism self retracts.

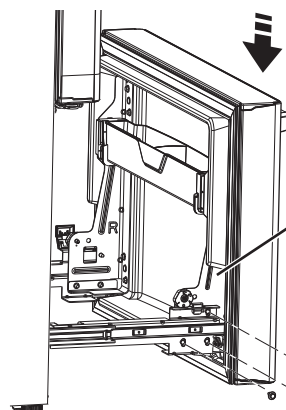


8 REPLACE FREEZER DOOR

CAUTION Lifting Hazard

Freezer door is heavy Use both hands to secure the door before lifting.

- A Pull the lower basket slide mechanism to full extension with both hands.
- B Lift the freezer door and align the tabs on the door bracket sides with the square holes in slide mechanisms.



Align and insert tab on Freezer Door Bracket with slot on Freezer Slide Bracket.

NOTE: Place one side in first and then align the other side.

- C Replace the attachment screws and torque the screws to 65 in-lb.
- D For adjusting freezer door gaps, follow the instructions on page 30 or in the Owner's Manual.
- E Replace freezer basket onto the slide brackets and make sure the freezer door operates and closes freely.

Installation Instructions

INSTALLING THE REFRIGERATOR (cont.)

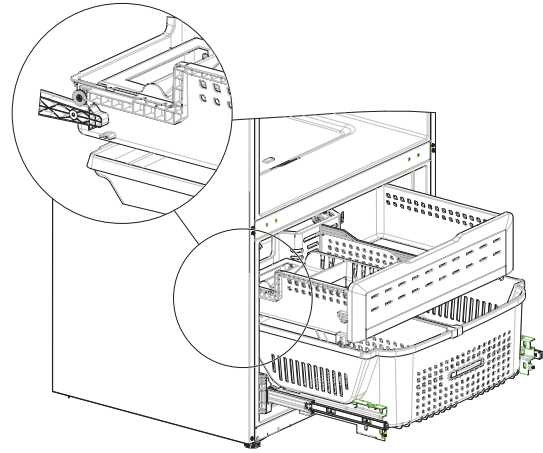
9 RE-INSTALL FREEZER DRAWER

A Re-install freezer drawer by placing the drawer wheels onto the top of the track mounted to the side of the freezer walls. The wheels on the freezer drawer should be on top of the bottom basket sides.

ON MODELS EQUIPPED WITH ICE MAKER IN THE FREEZER: Place the ice bucket in the drawer and push the drawer into the freezer with the front of the bucket to the front of the basket.

Make sure:

- The ice bucket does not hit the icemaker arm and the freezer drawer retracts completely into the freezer compartment.
- The fill tube extends into the fill cup opening at the back of the icemaker.



Installation Instructions

INSTALLING THE REFRIGERATOR (cont.)

Instructions for adjusting freezer door gaps:

IMPORTANT!

The 6 mounting screws (3 on each side) are NOT interchangeable with the center or top hinge screws. Drawer screws have flat washer heads, and other screws have lines/ribs on washer heads.

After installation of the freezer door, check for uniform gaps (top and bottom of right and left hand side) with the template provided.

In the event of excessive gaps use the following steps to adjust the freezer door.

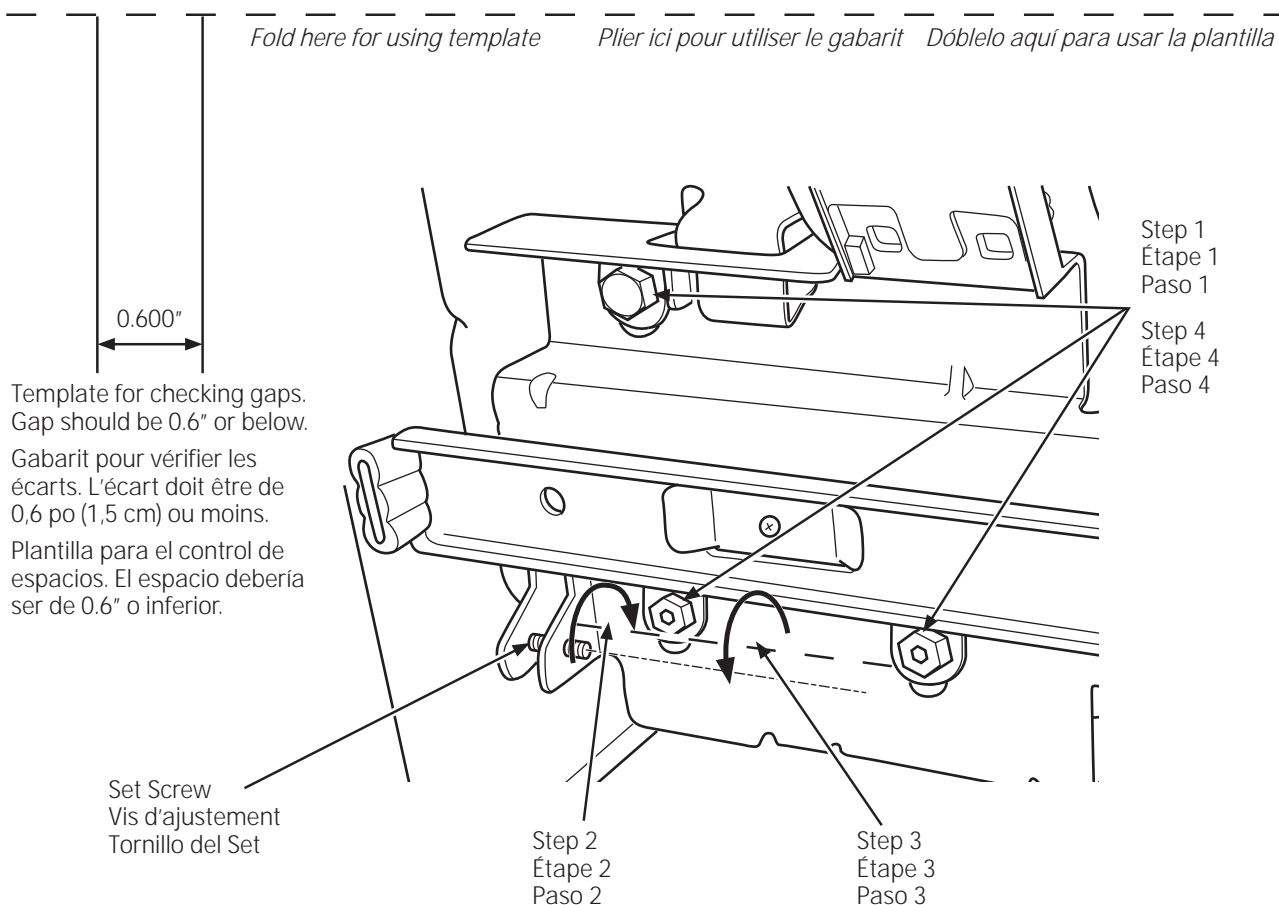
Step 1 - Loosen the 3 screws on each side (right and left) of the freezer door.

Step 2 - Adjust set screw clockwise if gap at the top is too big (see template). Turn the set screw using 3/32" hex key clockwise by quarter to half a rotation

Step 3 - Adjust set screw counter-clockwise if gap at the bottom is too big (see template). Turn the set screw using 3/32" hex key counter-clockwise by quarter to half a rotation

Step 4 - Tighten the 3 screws on each side (right and left).

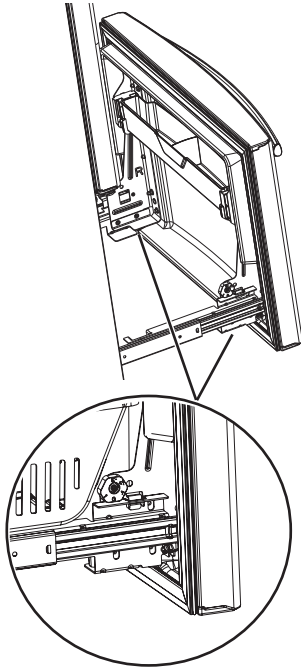
Step 5 - Re-check the gaps using the template and repeat steps 1 to 4 if required and complete with step 5.



Refer to 239D4144P001, Pub No. 31-45474-2

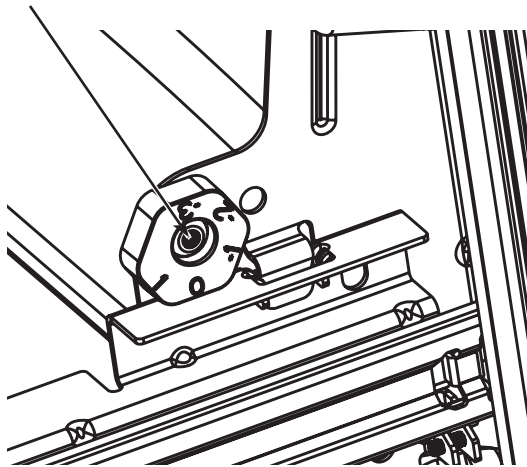
Installation Instructions

9 LEVEL THE FREEZER DOOR



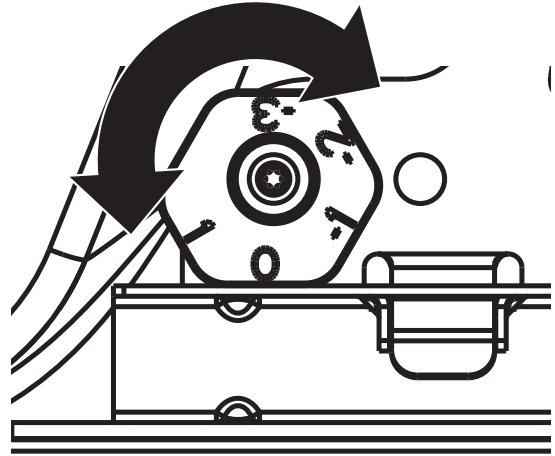
A Locate the height adjuster cam in the freezer door. Slightly loosen the three door attachment screws on both sides using a 3/8" hex socket driver.

B Locate and loosen the cam screw using the T-27 screw driver.



9 LEVEL THE FREEZER DOOR (cont.)

A Lift the door on the side requiring adjustment, rotate the cam to required position.



- 0 - Initial position
- 1 - Lift by 0.050"
- 1 - Lower by 0.050"
- 2 - Lower by 0.100"
- 3 - Lower by 0.150"

B After adjustment, tighten the 3 attachment screws using to 65 in-lb.

10 REMOVE PACKAGING

A) Remove all tape, foam and protective packing from shelves and drawers.

Installation Instructions

Anti-Tip Floor Bracket PYE, CYE, GYE, DYE, PWE, CWE, and ZWE Models Only

WARNING



Tip Over Hazard.

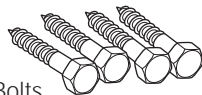


Built-in style models (model PYE, CYE, GYE, DYE, PWE, CWE, and ZWE) are top heavy, especially with any doors open. These models must be secured with the anti-tip floor bracket to prevent tipping forward, which could result in death or serious injury. Read and follow the entire installation instructions for installing the anti-tip floor bracket packed with your refrigerator.

NOTE:

If you did not receive an anti-tip bracket with your purchase, call 1.800.626.8774 to receive one at no cost. (In Canada, call 1.800.561.3344.) For installation instructions of the bracket, visit: www.GEAppliances.com. (In Canada, www.GEAppliances.ca.)

MATERIALS YOU MAY NEED (not included)



Lag Bolts
1/4" (6 mm) x 1-1/2" (38 mm)



Anchor Sleeves
1/2" (12 mm) OD

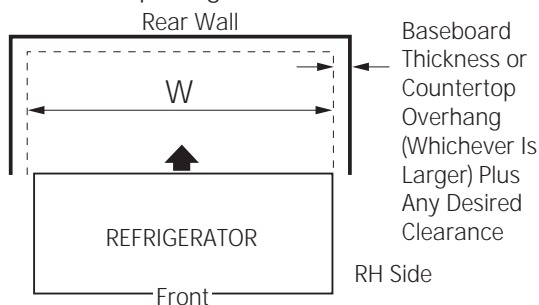
Drill Bit Appropriate for Anchors

For Anti-Tip Bracket Mounted on CONCRETE Floors Only

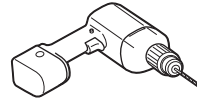
AT-1 MEASURE CABINET OPENING AVAILABLE VS. REFRIGERATOR WIDTH

Measure width of cabinet opening where refrigerator will be placed, W.

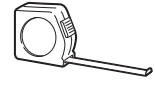
Be sure to account for any countertop overhang, baseboard thickness and any clearance desired. Width, W, should not be less than 36". The refrigerator will be placed approximately in the middle of this opening.



TOOLS YOU WILL NEED



1/8" (3 mm) Drill Bit and
Electric or Hand Drill



Tape measure



Pencil

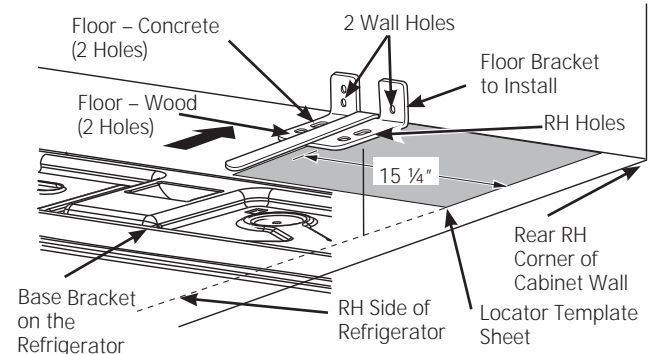


5/16" (8 mm) Nut Driver

AT-2 LOCATING THE ANTI-TIP FLOOR BRACKET

- A** Place the anti-tip floor bracket locator template (included inside the anti-tip kit) onto the floor up against the rear wall, within W, and in line with the desired location of the RH side of the refrigerator (see Figure 1).

Figure 1 – Installation Overview



- B** Place the anti-tip floor bracket onto the locator template with its RH floor holes lined up with the floor holes indicated on the template sheet, approximately 15 1/4" from the edge of the sheet or the RH side of the refrigerator.
- C** Hold down in position and use the anti-tip floor bracket as a template for marking the holes based upon your configuration and type of construction as shown in Step 3. Mark the hole locations with a pencil, nail or awl.

NOTE:

- It is REQUIRED to use at least 2 screws to mount the floor bracket (one on each side of the anti-tip floor bracket). Both must be into either the wall or the floor. Figure 2 indicates all the acceptable mounting configurations for screws. Identify the screw holes on the anti-tip floor bracket for your configuration.

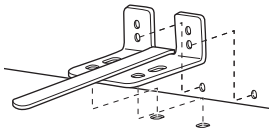
Installation Instructions

INSTALLING THE REFRIGERATOR (cont.)

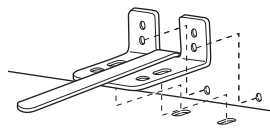
AT-2 LOCATING THE ANTI-TIP FLOOR BRACKET (cont.)

Figure 2 – Acceptable Screw Placement Locations

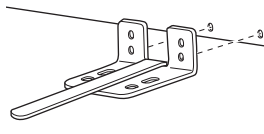
Recommended Installation – Wood



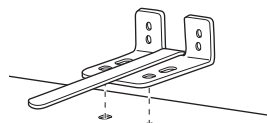
Recommended Installation – Concrete



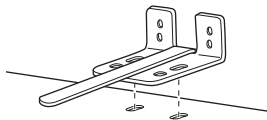
Minimum Acceptable #1 – Wall Plate Stud



Minimum Acceptable #2 – Wood Floor



Minimum Acceptable #3 – Concrete Floor

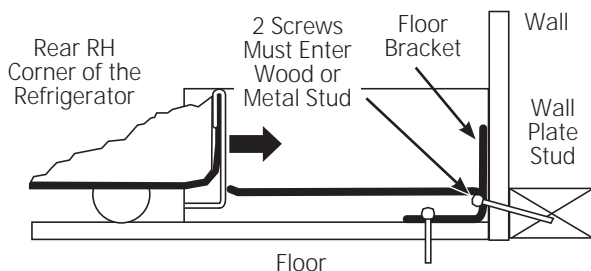


AT-3 ANTI-TIP BRACKET INSTALLATION

A WOOD Wall and Floor Construction:

- Drill the appropriate number of 1/8" (3 mm) pilot holes in the center of each floor bracket hole being used (a nail or awl may be used if a drill is not available) AND remove the locator template from the floor.
- Mount the anti-tip floor bracket by fastening the 2, or recommended 4, #10-16 hex-head screws tightly into place as illustrated in Figure 3.

Figure 3 – Attachment to Wall and Floor



B CONCRETE Wall and Floor Construction:

- Anchors required (not provided):
4 each 1/4" (6 mm) x 1-1/2" (38 mm) lag bolts
4 each 1/2" (12 mm) O.D. sleeve anchors
- Drill the recommended size holes for the anchors into the concrete at the center of the holes marked in Step 2.
- Install the sleeve anchors into the drilled holes. Place the anti-tip floor bracket as indicated in Step 2. Remove the locator template from the floor.
- Install the lag bolts through the anti-tip floor bracket and tighten appropriately.

C WOOD Wall and TILE Floor Construction:

- For this special case, locate the 2 wall holes identified in Fig. 2. Drill an angled 1/8" (3 mm) pilot hole (approx. as shown in Fig. 3) in the center of each hole.
- Mount the anti-tip floor bracket using the Minimum Acceptable Installation #1, as illustrated in Fig. 2.

AT-4 POSITIONING THE REFRIGERATOR TO ENGAGE THE ANTI-TIP FLOOR AND BASE BRACKETS

- A Before pushing the refrigerator into the opening, plug the power cord into the receptacle and connect waterline (if equipped). Check for leaks.
- B Locate the refrigerator's RH side and move back approximately in line with the RH side of the cabinet opening, W. This should position the anti-tip floor bracket to engage the anti-tip base bracket on the refrigerator.
- C Gently roll the refrigerator back into the cabinet opening until it comes to a complete stop. Check to see if the refrigerator front lines up with the cabinet front face. If not, carefully rock the refrigerator forward and backward until engagement occurs and you notice that the refrigerator is fully pushed up against the rear wall.
- D **If Applicable:** Adjust the rear (and front) wheel height settings to fully engage the rear anti-tip brackets, while also aligning the refrigerator front with the cabinet front face.

NOTE:

If you pull the refrigerator out and away from the wall for any reason, make sure the anti-tip floor bracket is engaged when the refrigerator is pushed back against the rear wall.

Installation Instructions

INSTALLING THE REFRIGERATOR (cont.)

11 CONNECTING THE REFRIGERATOR TO THE HOUSE WATER LINE

A cold water supply is required for automatic ice maker operation. If there is not a cold water supply, you will need to provide one. See Installing the Water Line section.

NOTES:

- Before making the connection to the refrigerator, be sure the refrigerator power cord is not plugged into the wall outlet.
- If your refrigerator does not have a water filter, we recommend installing one if your water supply has sand or particles that could clog the screen of the refrigerator's water valve. Install it in the water line near the refrigerator. If using SmartConnect™ Refrigerator Tubing Kit, you will need an additional tube (WX08X10002) to connect the filter. Do not cut plastic tube to install filter.
- Before connecting the water line to the house, purge the house line for at least 2 minutes.

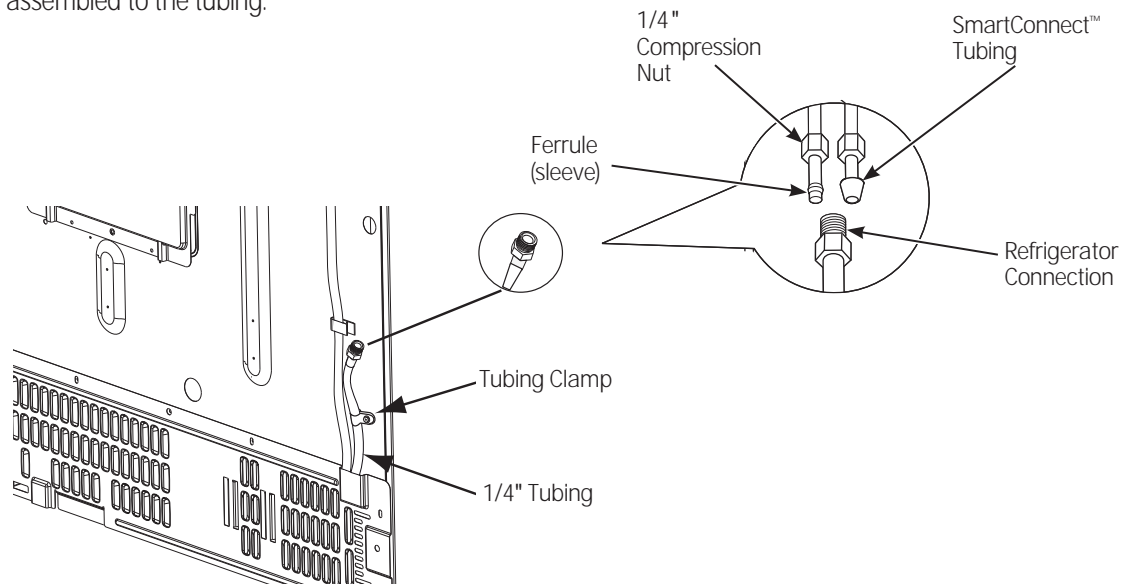
A If you are using copper tubing, place a compression nut and ferrule (sleeve) onto the end of the tubing coming from the house cold water supply.

If you are using the SmartConnect™ tubing, the nuts are already assembled to the tubing.

B If you are using copper tubing, insert the end of the tubing into the refrigerator connection, at the back of the refrigerator, as far as possible. While holding the tubing, tighten the fitting.

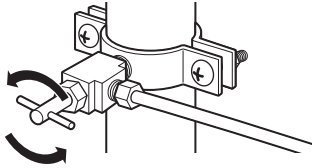
If you are using SmartConnect™ tubing, insert the molded end of the tubing into the refrigerator connection, at the back of the refrigerator, and tighten the compression nut until it is hand tight. Then tighten one additional turn with a wrench. Over tightening may cause leaks.

C Fasten the tubing into the clamp provided to hold it in position. You may need to pry open the clamp.



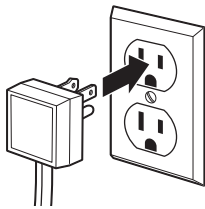
Installation Instructions

12 TURN ON THE WATER SUPPLY



Turn the water on at the shutoff valve (house water supply) and check for any leaks.

13 PLUG IN THE REFRIGERATOR



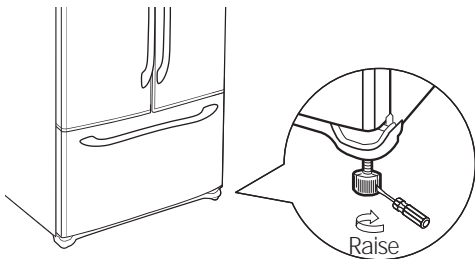
See the grounding information attached to the power cord.

14 LEVEL THE REFRIGERATOR

The leveling legs have 2 purposes:

- 1) Leveling legs adjust so the refrigerator is firmly positioned on the floor and does not wobble.
- 2) Leveling legs serve as a stabilizing brake to hold the refrigerator securely in position during operation and cleaning. The leveling legs also prevent the refrigerator from tipping.

- A** Turn the leveling legs clockwise to raise the refrigerator, counterclockwise to lower it.

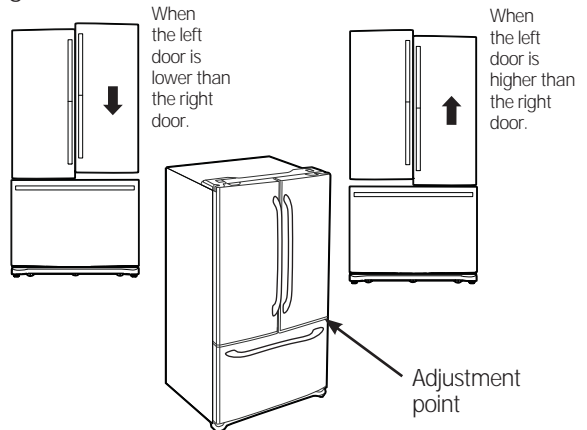


Flat-Head Screwdriver

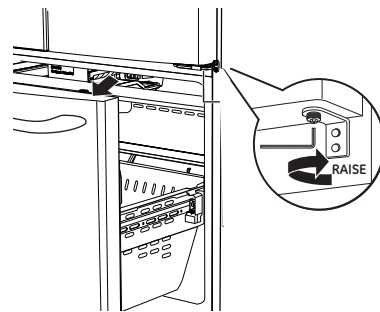
NOTICE: To avoid possible property damage, the leveling legs must be firmly touching the floor.

15 LEVEL THE REFRIGERATOR DOORS

Remember a level refrigerator is necessary for getting the doors perfectly even. If you need help, review the previous section on leveling the refrigerator.



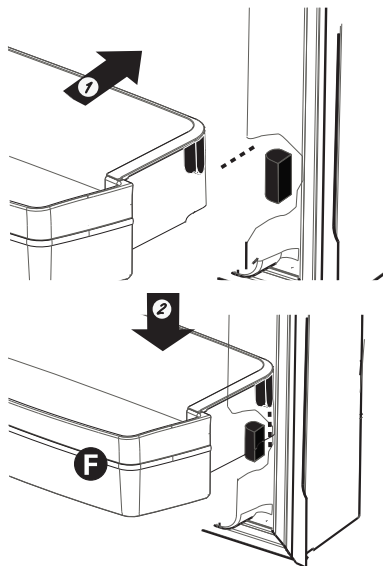
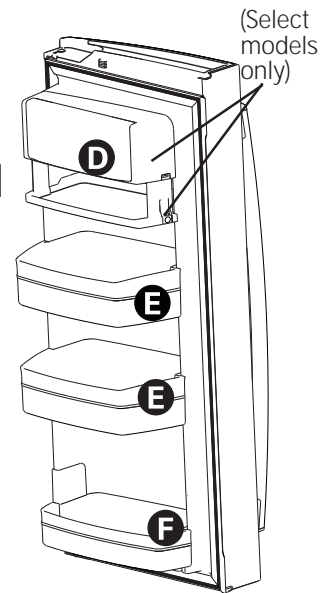
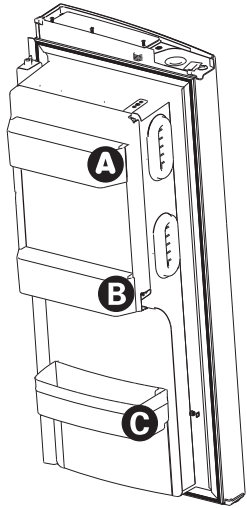
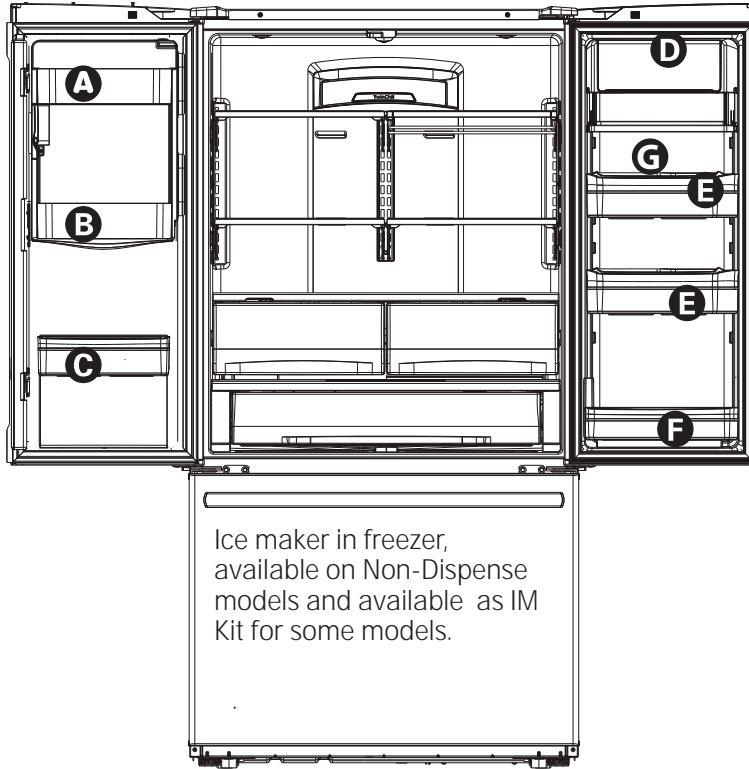
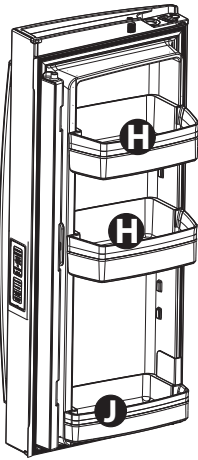
- A** If you open the freezer door, you can see the center hinge.
- B** Insert 1/4" Allen wrench into the shaft of the center hinge.
- C** Adjust the height by turning clockwise or counterclockwise. When you turn counterclockwise, the door will move up.



Installation Instructions

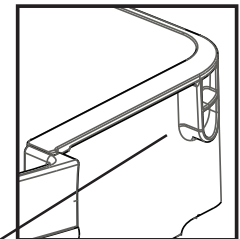
Non-Dispense Models

Refrigerator Assembly Instructions, suggested assembly.

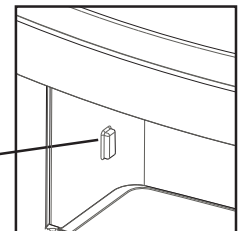


To place bins into doors:

- 1 Match your bin with the letter shown. Position the bin hooks over the bin locator and push forward until inserted fully.
- 2 Push bin down until locked into position.



Bin hook rear each side



Bin locator each side

Installation Instructions

INSTALLING THE WATER LINE

BEFORE YOU BEGIN

Recommended copper water supply kits are WX8X2, WX8X3 or WX8X4, depending on the amount of tubing you need. Approved plastic water supply lines are SmartConnect™ Refrigerator Tubing (WX08X10006, WX08X10015 and WX08X10025).

When connecting your refrigerator to a GE Appliances Reverse Osmosis Water System, the only approved installation is with a GE Appliances RVKit. For other reverse osmosis water systems, follow the manufacturer's recommendations.

If the water supply to the refrigerator is from a Reverse Osmosis (RO) Water Filtration System AND the refrigerator also has a water filter, use the refrigerator's filter bypass plug. Using the refrigerator's water filtration cartridge in conjunction with the RO water filter can result in hollow ice cubes.

This water line installation is not warranted by the refrigerator or ice maker manufacturer. Follow these instructions carefully to minimize the risk of expensive water damage.

Water hammer (water banging in the pipes) in house plumbing can cause damage to refrigerator parts and lead to water leakage or flooding. Call a qualified plumber to correct water hammer before installing the water supply line to the refrigerator.

To prevent burns and product damage, do not hook up the water line to the hot water line.

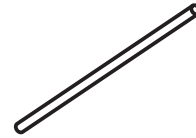
If the refrigerator is operated before the water connection is made to the ice maker, see **Controls** section on page 9 to turn ice maker off.

Do not install the ice maker tubing in areas where temperatures fall below freezing.

When using any electrical device (such as a power drill) during installation, be sure the device is double insulated or grounded in a manner to prevent the hazard of electric shock, or is battery powered.

All installations must be in accordance with local plumbing code requirements.

WHAT YOU WILL NEED



- Copper or SmartConnect™ Refrigerator Tubing kit, 1/4" outer diameter to connect the refrigerator to the water supply. If using copper, be sure both ends of the tubing are cut square.

To determine how much tubing you need: measure the distance from the water valve on the back of the refrigerator to the water supply pipe. Be sure there is sufficient extra tubing to allow the refrigerator to move out from the wall after installation.

SmartConnect™ Refrigerator Tubing Kits are available in the following lengths:

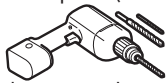
- 8' (2.4 m) – WX08X10006
- 15' (4.6 m) – WX08X10015
- 25' (7.6 m) – WX08X10025

Installation Instructions

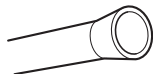
WHAT YOU WILL NEED (CONT.)

NOTE: The only GE Appliances approved plastic tubing is that supplied in SmartConnect™ Refrigerator Tubing kits. Do not use any other plastic water supply line because the line is under pressure at all times. Certain types of plastic will crack or rupture with age and cause water damage to your home.

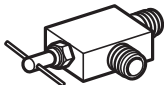
- A GE Appliances water supply kit (containing tubing, shutoff valve and fittings listed below) is available at extra cost from your dealer or from Parts and Accessories, 800.626.2002 (in Canada 1.800.661.1616).
- A cold water supply. The water pressure must be between 20 and 120 p.s.i. (1.4–8.1 bar).
- Power drill.
- 1/2" or adjustable wrench.
- Straight and Phillips blade screwdriver.



- Two 1/4" outer diameter compression nuts and 2 ferrules (sleeves)—to connect the copper tubing to the shutoff valve and the refrigerator water valve.
OR
- If you are using a SmartConnect™ Refrigerator Tubing kit, the necessary fittings are preassembled to the tubing.



- If your existing copper water line has a flared fitting at the end, you will need an adapter (available at plumbing supply stores) to connect the water line to the refrigerator OR you can cut off the flared fitting with a tube cutter and then use a compression fitting. Do not cut formed end from SmartConnect™ Refrigerator tubing.



- Shutoff valve to connect to the cold water line. The shutoff valve should have a water inlet with a minimum inside diameter of 5/32" at the point of connection to the COLD WATER LINE. Saddle-type shutoff valves are included in many water supply kits. Before purchasing, make sure a saddle-type valve complies with your local plumbing codes.

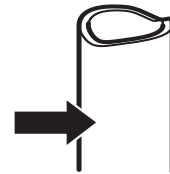
Install the shutoff valve on the nearest frequently used drinking water line.

1 SHUT OFF THE MAIN WATER SUPPLY

Turn on the nearest faucet long enough to clear the line of water.

2 CHOOSE THE VALVE LOCATION

Choose a location for the valve that is easily accessible. It is best to connect into the side of a vertical water pipe. When it is necessary to connect into a horizontal water pipe, make the connection to the top or side, rather than at the bottom, to avoid drawing off any sediment from the water pipe.

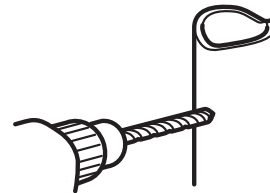


3 DRILL THE HOLE FOR THE VALVE

Drill a 1/4" hole in the water pipe (even if using a self-piercing valve), using a sharp bit. Remove any burrs resulting from drilling the hole in the pipe.

Take care not to allow water to drain into the drill.

Failure to drill a 1/4" hole may result in reduced ice production or smaller cubes.

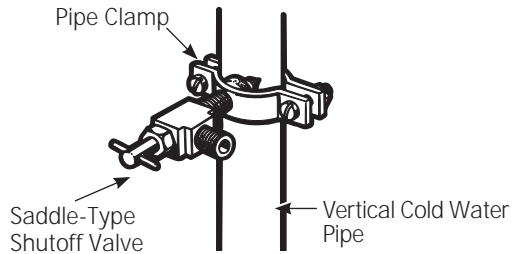


Installation Instructions

INSTALLING THE WATER LINE (cont.)

4 FASTEN THE SHUTOFF VALVE

Fasten the shutoff valve to the cold water pipe with the pipe clamp.

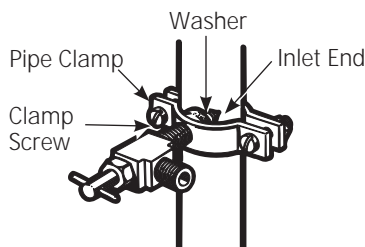


NOTE: Commonwealth of Massachusetts Plumbing Codes 248CMR shall be adhered to. Saddle valves are illegal and use is not permitted in Massachusetts. Consult with your licensed plumber.

5 TIGHTEN THE PIPE CLAMP

Tighten the clamp screws until the sealing washer begins to swell.

NOTE: Do not over tighten or you may crush the tubing.



6 ROUTE THE TUBING

Route the tubing between the cold water line and the refrigerator.

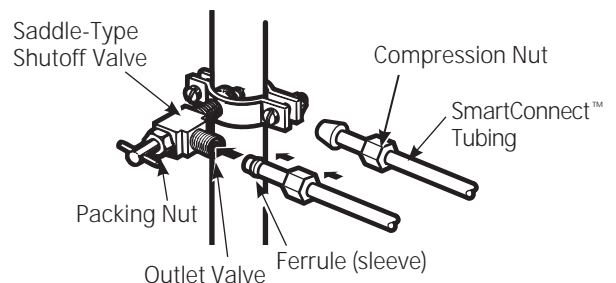
Route the tubing through a hole drilled in the wall or floor (behind the refrigerator or adjacent base cabinet) as close to the wall as possible.

7 CONNECT THE TUBING TO THE VALVE

Place the compression nut and ferrule (sleeve) for copper tubing onto the end of the tubing and connect it to the shutoff valve.

Make sure the tubing is fully inserted into the valve. Tighten the compression nut securely.

For plastic tubing from a SmartConnect™ Refrigerator Tubing kit, insert the molded end of the tubing into the shutoff valve and tighten compression nut until it is hand tight, then tighten one additional turn with a wrench. Over tightening may cause leaks.



NOTE: Commonwealth of Massachusetts Plumbing Codes 248CMR shall be adhered to. Saddle valves are illegal and use is not permitted in Massachusetts. Consult with your licensed plumber.

8 FLUSH OUT THE TUBING

Turn the main water supply on and flush out the tubing until the water is clear.

Shut the water off at the water valve after about one quart (1 liter or 2 minutes) of water has been flushed through the tubing.



To complete the installation of the refrigerator, go back to Step 11 in Installing the Refrigerator.



Newer refrigerators sound different from older refrigerators.
Modern refrigerators have more features and use newer technology.

Do you hear what I hear? These sounds are normal.

HUMMM... WHOOSH...

- The new high efficiency compressor may run faster and longer than your old refrigerator and you may hear a high-pitched hum or pulsating sound while it is operating.
- You may hear a whooshing sound when the doors close. This is due to pressure equalizing within the refrigerator.
- After dispensing ice, a motor will close the ice chute to keep warm room air from entering the ice bucket, maintaining ice at a freezing temperature.

The hum of the motor closing the ice chute is normal, shortly after dispensing ice.



- You may hear the fans spinning at high speeds. This happens when the refrigerator is first plugged in, when the doors are opened frequently or when a large amount of food is added to the refrigerator or freezer compartments. The fans are helping to maintain the correct temperatures.
- The fans change speeds in order to provide optimal cooling and energy savings.

CLICKS, POPS, CRACKS and SNAPS

- You may hear cracking or popping sounds when the refrigerator is first plugged in. This happens as the refrigerator cools to the correct temperature.
- The compressor may cause a clicking or chirping sound when attempting to restart (this could take up to 5 minutes).
- Expansion and contraction of cooling coils during and after defrost can cause a cracking or popping sound.
- On models with an ice maker, after an ice making cycle, you may hear the ice cubes dropping into the ice bucket.
- After dispensing ice, a motor will close the ice chute to keep warm room air from entering the ice bucket, maintaining ice at a freezing temperature.

WATER SOUNDS



- The flow of refrigerant through the cooling coils may make a gurgling noise like boiling water.
- Water dropping on the defrost heater can cause a sizzling, popping or buzzing sound during the defrost cycle.
- A water dripping noise may occur during the defrost cycle as ice melts from the evaporator and flows into the drain pan.
- Closing the door may cause a gurgling sound due to pressure equalization.

START UP COOLING

It can take up to 24 hours for the refrigerator and freezer temperatures to match the display. During that time refrigerator and freezer door openings should be minimized.

TIPS

- Freezer cools first.
- Refrigerator compartment cools last; it may take several hours after the freezer.
- Turning off ice maker makes both fresh food and freezer cool faster.

Before you call for service...



Troubleshooting Tips
Save time and money! Review the charts on the following pages first and you may not need to call for service.

Problem	Possible Causes	What to Do
Water filter indicated as installed incorrectly or a leak is present on cap control panel.	Water filter installed backward or is leaking.	Check for leak. If no leak is present, remove filter/bypass plug, rotate 180° and reinstall.
"Warning Triangle" is lit Replace Filter/Replace Water Filter is lit Over Due light is lit	Water filter leaking or needs replacing Water filter backwards	Replace water filter, check for leak Remove filter, rotate 180° and reinstall
Dispenser Off is lit	Control A, B & C Wrong filter installed	Replace filter with proper filter Remove filter, rotate 180° and reinstall
Not filtering	Filter bypass installed Controls B & C	Install correct water filter
Reset Filter is lit	Water filter leaking or needs replacing	Replace water filter, or install filter bypass Press and hold Reset Filter for 3 seconds to reset (Control D only)
Water filter indicator light is not lit	This is normal. This indicator will turn on to tell you that you need to replace the filter soon.	See <i>About the Water Filter</i> for more information.
Handle is loose/handle has a gap.	Handle needs adjusting	See <i>Attach Fresh Food Handle</i> and <i>Attach the Freezer Handle</i> sections for detailed instructions.
Refrigerator beeping	This is door alarm	-Turn off or disable with door closed -If door open and alarm is sounding, you can only snooze the alarm
Not cooling	The cooling system is off	See <i>About Controls</i> .
Water has poor taste/odor*	Water dispenser has not been used for a long time	Dispense water, until all water in system is replenished.
Water in glass is warm*	Normal when refrigerator is first installed	Wait 24 hours for the refrigerator to completely cool down.
	Water dispenser has not been used for a long time	Dispense water, until all water in system is replenished
	Water system has drained	Allow several hours for replenished supply to chill
Water dispenser does not work*	Water supply line turned off or not connected	See <i>Installing the Water Line</i>
	Water filter clogged or filter/bypass plug not installed	Replace filter cartridge or remove filter and install bypass plug
	Air may be trapped in the water system	Press the dispenser arm for at least 5 minutes.
	Water in reservoir is frozen because the controls are set too cold	Set the refrigerator control to a warmer setting and wait 24 hours. If the water does not dispense after 24 hours, call for service

*Select Models Only

Problem	Possible Causes	What to Do
Water spurting from dispenser*	Newly installed filter cartridge	Run water from the dispenser for 5 minutes (about 2 gallons)
No water or ice cube production*	Supply line or shutoff valve is clogged	Call a plumber
	Water filter is clogged	Replace filter cartridge or remove filter and install bypass plug
	Filter cartridge not properly installed	Remove and reinstall filter cartridge, being certain that it locks in place.
	Ice maker is turned off	Check that the ice maker is turned on. See <i>About the Automatic Ice Maker</i> .
Water is leaking from dispenser*	Air may be present in the water line system, causing water to drip after being dispensed	Dispense water for at least 5 minutes to remove air from system
AUTO FILL under fill/no fill*	Not all containers work with AUTO FILL	Try different container
	Error message	See page. 12
		Clean sensor. See page. 12.
AUTO FILL overfills*	Not all containers work with AUTO FILL	Try different container
Freezer cooling, fresh food not cooling	Normal, when refrigerator first plugged in or after extended power outage	Wait 24 hours for temperature in both compartments to reach selected temperatures.
Ice dispenser opens after closing freezer drawer *	Normal	The ice dispenser door may open after closing freezer door to allow access
Low brewing flow rate	There may have been a dent at the bottom of K-Cup causing the pin to pierce the filter allowing coffee grounds clogging the bottom pin	Avoid using damaged/dented K-cups, and clean the lower needle before next brew
Low brewing flow rate / water drips from inner door	Top needle of the brewer clogged	Unclog the top needle holes using a paper clip and rinse brewer. Rinse brewer after every use.
Brewer is not detected or hot water leaking from top of the brewer	Incorrect assembly of brewer in the bracket	Make sure the Keurig Logo is in the front. Push brewer all the way in the brackets
Coffee dispensed with splash or bubble bursting	Blocked vent hole in the brewer	Make sure the vent hole at the bottom of the brewer is clear from food or any other contamination

*Select Models Only

Before you call for service...



Troubleshooting Tips (cont)

Problem	Possible Causes	What to Do
Beverage quality not as expected	You may be using non-standard or out dated K-Cups	Recommend using official Keurig K-cups that are not past expiration and have not been damaged
Liquid drips from the brewer after brewer cycle is completed and the brewer is removed from the bracket	It is possible for liquids to be retained by the brewer and drip when it is removed	Use a cloth or container to capture the drips when brewer is removed
Delay when using Keurig K-cup Pod dispenser	To ensure a quality beverage is delivered, a short delay is required to ensure the refrigerator is operating correctly	Ensuring consistent, quality operation requires the refrigerator to delay dispense for a short period of time
After brewing, my powdered beverage is not fully cleared from the used pod	Depending on size selected, the powder may not dissolve fully. Some powdered beverages develop into 'clumps' when left sitting for some time	Shake the powdered pods before brewing to break up these clumps and allow better clearing. For powdered beverage with no filter, use the Cocoa cycle selection
Brewer lid is difficult to close	K-cup is not fully seated	Press K-cup all the way down into the brewer prior to closing the lid. Lower needle must puncture K-cup before closing the brewer lid
Brewer leaks during the brew cycle	Trouble in closing brewer lid or damaged K-cup	Press K-cup all the way down into the brewer prior to closing the lid. Lower needle must puncture K-cup before closing the brewer lid. Recommend using official Keurig K-cups that have not been damaged and have a good seal between the top cover and plastic bottom

*Select Models Only

SERVICE

Before you call for service, review the detailed troubleshooting tips in the Owner's manual. If needed, service can be scheduled by visiting us online GEAppliances.com or calling 800.ge.CARES 800.432.2737

Truth or Myth

Truth or Myth?	Answer	Explanation
The refrigerator water filter may require replacement prior to six months	TRUE	The water filter indicator will indicate the need to replace the water filter every six months or 170 gallons of water dispensed (select models only). Water quality varies from city to city. If water flow from the dispenser slows, or ice production decreases, the water filter should be replaced, even though the filter indicator may not indicate the need for replacement.
The automatic ice maker in my refrigerator will produce ice when the refrigerator is plugged into a power receptacle.	MYTH	The refrigerator must be connected to water, and the ice maker must be turned on. Make sure the ice maker is turned on, only after the water line is connected and water is turned on. The ice maker can be turned on/off from the controls and ensure the ice maker is on, as indicated on the refrigerator control panel. See <i>About the Automatic Ice Maker</i> .
After the refrigerator has been plugged in and connected to water, I will immediately have unlimited chilled water available from the water dispenser.	MYTH	The water dispenser tank located inside the refrigerator stores water for dispensing. The water in this tank requires 24 hours to chill after installation. High usage conditions will not allow time for the water to chill.
After water dispenses, a few drops of water are normal.	TRUE	A few drops of water may fall from the dispenser, after the dispenser paddle has been released. To minimize the drops, remove the glass slowly from the dispenser.
I will never see frost inside the freezer compartment.	MYTH	Frost inside the freezer typically indicates that the door is not properly sealed, or has been left open. If frost is found, clear the frost using a plastic spatula and towel, then check to ensure that no food packages or containers are preventing the freezer door from closing. Check the refrigerator control panel to ensure the door alarm is on.
When the refrigerator is installed, or after replacing the water filter, I must dispense water for five minutes.	TRUE	A newly installed refrigerator or water filter contains air in the water lines. Press the dispenser paddle and dispense cold water for at least 5 minutes to remove air from the water line, and flush the filter.
To fill the ice bucket to the maximum capacity, I should dispense 12 and 18 hours after installation.	TRUE	Dispensing 3-4 cubes 12 hours and 18 hours after installation, allows ice to disperse within the ice bucket, which in turns calls on the ice maker to produce additional ice. Normal ice production = 100 cubes in 24 hours.
I can use the water filter bypass plug to determine if the filter requires replacement.	TRUE	Decrease in flow from the water dispenser, or decreased ice production, may indicate the need to replace the water filter. Install the water filter bypass plug (provided with the refrigerator), and check flow from the dispenser. If water flow returns to normal with the bypass plug in place, replace the water filter.
The top of the refrigerator doors will always be aligned.	MYTH	Several things can affect the fresh food door alignment, including the floor the refrigerator is installed on and loading of doors. If the top of the fresh food doors are not aligned, use a 1/4" allen wrench to adjust the right/left hand door. The adjustment screw is located on the bottom right or left hand side of the door; open the freezer door to access the screw.
Refrigerator door handles can be easily tightened.	TRUE	If door handles are loose or have a gap, the handle can be adjusted using a 1/8" allen wrench, on set screws located on the ends of the handles.
There may be odor and taste problems with your ice.	TRUE	After starting the ice maker, throw away 24 hours of ice production to avoid odor and taste problems.
I can make fine adjustments to the fresh food doors to align them.	TRUE	If the fresh food doors are not aligned, use a 1/4" Allen wrench to adjust the right hand door. The adjustment screw is located on the bottom of the right/left hand door. Open the freezer door to access.
Door handles should always be removed for installation.	MYTH	If the doors must be removed do not remove the handles, or if the refrigerator will fit easily through the passage way opening. Adjust handles that are loose or have a gap, by adjusting 1/8" set screws on either end of handles.

SERVICE

Before you call for service, review the detailed troubleshooting tips in the Owner's manual. If needed, service can be scheduled by visiting us online GEAppliances.com or calling 800.ge.CARES 800.432.2737

Truth or Myth (cont.)

Truth or Myth?	Answer	Explanation
Door removal is always required for installation.	MYTH	Check chart on reverse side of this instruction. Doors should only be removed when necessary to prevent damage from passage way or access to final location.
Refrigerator doors that won't close after installation, can be adjusted to close properly.	TRUE	Door mechanism works best if installed at 90°. If installed at 180°, remove the door from the mid hinge, and swing the door 180° before reinstalling. See <i>Reinstalling the Refrigerator Doors</i> .
There is an adjustment to rear wheels.	MYTH	Front leveling legs are adjustable and should be used to balance the refrigerator. Leveling legs are used to make initial fresh food door adjustment.
Check for leaks after all water connections are made.	TRUE	While purging the air from the water system, check all water line connections for leaks. Check the connection to the household water supply at back of refrigerator, and door water line connect.
Any packaging residue can be cleaned off the refrigerator using any cleaner.	MYTH	Do not use wax, polish, bleach, or other products containing chlorine on Stainless Steel panels, door handles and trim. Check this instruction under "Cleaning the Outside" for full details.

Refrigerator Warranty.



For US Customers, all warranty service provided by our Factory Service Centers, or an authorized Customer Care® technician. To schedule service, visit us online at GEAppliances.com, or call 800.GE.CARES (800.432.2737). Please have serial number and model number available when calling for service. In Canada, call 800.561.3344.

Staple your receipt here. Proof of the original purchase date is needed to obtain service under the warranty.

Servicing your refrigerator may require the use of the onboard data port for diagnostics. This gives a GE Appliances Factory Service technician the ability to quickly diagnose any issues with your appliance and helps GE Appliances improve its products by providing GE Appliances with information on your appliance. If you do not want your appliance data to be sent to GE Appliances, please advise your technician NOT submit the data to GE Appliances at the time of service.

For the Period of:	GE Appliances Will Replace
One Year From the date of the original purchase	Any part of the refrigerator which fails due to a defect in materials or workmanship. During the limited one-year warranty , GE Appliances will also provide, free of charge , all labor and related service to replace the defective part.
Thirty Days (Water filter, if included) From the original purchase date of the refrigerator	Any part of the water filter cartridge which fails due to a defect in materials or workmanship. During this limited thirty-day warranty , GE Appliances will also provide, free of charge , a replacement water filter cartridge.
GE PROFILE™ MODELS ONLY	
Five Years From the date of the purchase	Any part of the sealed refrigerating system (the compressor, condenser, evaporator and all connecting tubing) which fails due to a defect in materials or workmanship. During this limited five-year sealed refrigerating system warranty , GE Appliances will also provide, free of charge , all labor and related service to replace the defective part in the sealed refrigerating system.

What GE Appliances Will Not Cover:

- Service trips to your home to teach you how to use the product.
- Improper installation, delivery or maintenance.
- Failure of the product if it is abused, misused, or used for other than the intended purpose or used commercially.
- Loss of food due to spoilage.
- Replacement of house fuses or resetting of circuit breakers.
- Damage to finish, such as tarnish or small blemishes, not reported within 48 hours of delivery.
- Replacement of the water filter cartridge, if included, due to water pressure that is outside the specified operating range or due to excessive sediment in the water supply.
- Replacement of the light bulbs, if included, or water filter cartridge, if included, other than as noted above.
- Damage to the product caused by accident, fire, floods or acts of God.
- Incidental or consequential damage caused by possible defects with this appliance.
- Product not accessible to provide required service.
- Damage caused by a non-GE Appliances Brand water filter.

EXCLUSION OF IMPLIED WARRANTIES—Your sole and exclusive remedy is product repair as provided in this Limited Warranty. Any implied warranties, including the implied warranties of merchantability or fitness for a particular purpose, are limited to one year or the shortest period allowed by law.

For US Customers: This warranty is extended to the original purchaser and any succeeding owner for products purchased for home use within the USA. If the product is located in an area where service by a GE Appliances Authorized Servicer is not available, you may be responsible for a trip charge or you may be required to bring the product to an Authorized GE Appliances Service location for service. In Alaska, the warranty excludes the cost of shipping or service calls to your home.

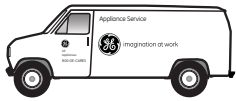
Some states do not allow the exclusion or limitation of incidental or consequential damages. This warranty gives you specific legal rights, and you may also have other rights which vary from state to state. To know what your legal rights are, consult your local or state consumer affairs office or your state's Attorney General.

Warrantor: General Electric Company, Louisville, KY 40225

For Customers in Canada: This warranty is extended to the original purchaser and any succeeding owner for products purchased in Canada for home use within Canada. In-home warrant service will be provided in areas where it is available and deemed reasonable by Mabe to provide.

Warrantor Canada: MC Commercial, Burlington, Ontario, L7R 5B6

RPWFE Water Filter Cartridge Limited Warranty.



Contact us at www.geapplianceparts.com,
or call 800.GE.CARES.

Staple your receipt
here. Proof of the
original purchase
date is needed to
obtain service
under the warranty.

For The Period Of:

We Will Replace, At No Charge To You:

Thirty Days

From the date of the
original purchase

Any part of the water filter cartridge which fails due to a defect in materials or
workmanship during this **limited thirty-day warranty**.*

What is Not Covered:

- Service trips to your home to teach you how to use the product.
- Improper installation.
- Failure of the product if it is abused, misused, used for other than the intended purpose or used commercially.
- Replacement of house fuses or resetting of circuit breakers.
- Replacement of the water filter cartridge due to water pressure that is outside the specified operating range or due to excessive sediment in the water supply.
- Damage to the product caused by accident, fire, floods or acts of God.
- Incidental or consequential damage caused by possible defects with this appliance.

This warranty is extended to the original purchaser and any succeeding owner for products purchased for home use within the U.S.A. In Alaska, the warranty excludes the cost of shipping or service calls to your home.

Some states do not allow the exclusion or limitation of incidental or consequential damages. This warranty gives you specific legal rights, and you may also have other rights which vary from state to state. To know what your legal rights are, consult your local or state consumer affairs office or your state's Attorney General.

For Purchases Made In Iowa: This form must be signed and dated by the buyer and seller prior to the consummation of this sale.

This form should be retained on file by the seller for a minimum of two years.

Buyer:

Seller:

Name

Name

Address

Address

City State Zip

City State Zip

Signature Date

Signature Date

*If your GE part fails because of a manufacturing defect within thirty days from the date of original purchase for use, we will give you a new or, at our option, a rebuilt part without charge. Return the defective part to the parts supplier from whom it was purchased together with a copy of the "proof of purchase" for the part. If the part is defective and shows no signs of abuse, it will be exchanged. The warranty does not cover the failure of parts which are damaged while in your possession, are abused, or have been installed improperly. It does not cover the cost of returning the part to the supplier from whom it was purchased nor does it cover the cost of labor to remove or install it to diagnose the fault. It does not cover parts used in products in commercial use except in the case of air conditioning equipment. In no event shall GE be liable for consequential damages. Warrantor: General Electric Company

EXCLUSION OF IMPLIED WARRANTIES: Your sole and exclusive remedy is part exchange as provided in this Limited Warranty. Any implied warranties, including the implied warranties of merchantability or fitness for a particular purpose, are limited to six months or the shortest period allowed by law.



GE
Appliances
Appliance Park
Louisville, KY 40225
geapplianceparts.com

RPWFE

34-8715-2704-9

EPA #070595-MEX-001

© 2014 General Electric Company PC78863

Performance Data Sheet

Model: GE RPWFE

Use Replacement Cartridge RPWFE.

The concentration of the indicated substances in water entering the system was reduced to a concentration less than or equal to the permissible limit for water leaving the system as specified in NSF/ANSI Standard 42 and Standard 53. System tested and certified by NSF International against NSF/ANSI Standard 42 and Standard 53 for the reduction of substances listed below.

Capacity 170 Gallons (643.5 Liters). Contaminant Reduction Determined by NSF testing.

Substance Tested for Reduction	Average Influent	NSF specified Challenge Concentration	Avg % Reduction	Average Product Water Concentration	Max Permissible Product Water Concentration	NSF Reduction Requirements	NSF Test Report
Chlorine Taste and Odor	2.0 mg/L	2.0 mg/L ± 10%	97.4%	0.05 mg/L	N/A	≥50%	J-00102044
Nominal Particulate Class I, ≥0.5 to < 1.0 µm	7,633,333 pts/mL	At least 10,000 particles/mL	99.0%	71,850 pts/ml	N/A	≥85%	J-00106249
Asbestos	109 MFL	10 ⁷ to 10 ⁸ fibers/L; fibers greater than 10µm in length	99.99%	<1 MFL	N/A	≥99%	J-00102069
Atrazine	0.009 mg/L	0.009 mg/L ± 10%	94.4%	0.0005 mg/L	0.003 mg/L	N/A	J-00102058
Benzene	0.016 mg/L	0.015 mg/L ± 10%	96.4%	0.001 mg/L	0.005 mg/L	N/A	J-00102065
Carbofuran	0.08 mg/L	0.08 mg/L ± 10%	98.8%	0.001 mg/L	0.04 mg/L	N/A	J-00102059
Cyst*	104,750 cysts/L	Minimum 50,000 cysts/L	99.99%	3 cyst/L	N/A	≥99.95%	J-00102057
Lead pH @6.5	0.140 mg/L	0.15 mg/L ± 10%	99.3%	0.001 mg/L	0.010 mg/L	N/A	J-00102052
Lead pH @8.5	0.158 mg/L	0.15 mg/L ± 10%	98.3%	0.002 mg/L	0.010 mg/L	N/A	J-00102053
Mercury @ pH 6.5	0.006 mg/L	0.006 mg/L ± 10%	91%	0.0003 mg/L	0.002 mg/L	N/A	J-00102054
Mercury @ pH 8.5	0.006 mg/L	0.006 mg/L ± 10%	88.3%	0.0007 mg/L	0.002 mg/L	N/A	J-00104087
Lindane	0.002 mg/L	0.002 mg/L ± 10%	99%	0.00002 mg/L	0.0002 mg/L	N/A	J-00102063
P-Dichlorobenzene	0.222 mg/L	0.225 mg/L ± 10%	99.8%	0.0005 mg/L	0.075 mg/L	N/A	J-00102067
Toxaphene	0.015 mg/L	0.015 mg/L ± 10%	93.5%	0.001 mg/L	0.003 mg/L	N/A	J-00102061
2, 4-D Reduction	0.218 mg/L	0.210 mg/L ± 10%	99.9%	0.0001 mg/L	0.07 mg/L	N/A	J-00102064
VOC	0.278 mg/L	0.300 mg/L ± 10%	97.7%	0.0015 mg/L	N/A	≥95%	J-00102070

*Based on the use of Cryptosporidium parvum oocysts.

The following pharmaceutical reduction claims have not been certified by NSF International. Claims tested and verified by independent laboratory:

Substance Reduction	Average Influent	NSF specified Challenge Concentration	Avg % Reduction	Average Product Water Concentration	Max Permissible Product Water Concentration	NSF Test Report
Atenolol	1088 ng/L	N/A	99.5%	5.0 ng/L	N/A	J-00103221
Fluoxetine	845 ng/L	N/A	99.4%	5.0 ng/L	N/A	J-00103221
Ibuprofen	898 ng/L	N/A	98.8%	9.9 ng/L	N/A	J-00103726
Progesterone	945 ng/L	N/A	99.4%	5.5 ng/L	N/A	J-00103727
Trimethoprim	403 ng/L	N/A	99.5%	2.0 ng/L	N/A	J-00103221

Application Guidelines/Water Supply Parameters

Service Flow	0.5 gpm (1.89 lpm)	Water Pressure	25-120 psi (172- 827 kPa)
Water Supply	Potable Water	Water Temperature	33° F - 100° F (0.6° C - 38° C)

It is essential that the manufacturer's recommended installation, maintenance and filter replacement requirements be carried out for the product to perform as advertised. See Installation Manual for Warranty information.

Note: While the testing was performed under standard laboratory conditions, actual performance may vary.

Replacement Cartridge: RPWFE. For estimated costs of replacement elements please call 1-800-626-2002 or visit our website at www.geapplianceparts.com.

⚠ WARNING

To reduce the risk associated with ingestion of contaminants:

- Do not use with water that is microbiologically unsafe or of unknown quality without adequate disinfection before and after the system. Systems certified for cyst reduction may be used on disinfected water that may contain filterable cysts. EPA Establishment Number 070595-MEX-001.

NOTICE

To reduce the risk of water leakage or flooding, and to ensure optimal filter performance:

- Read and follow use instructions before installation and use of this system.
- Installation and use **MUST** comply with all state and local plumbing codes.

- Do not install if water pressure exceeds 120 psi (827 kPa). If your water pressure exceeds 80 psi, you **must** install a pressure-limiting valve. Contact a plumbing professional if you are uncertain how to check your water pressure.
- Do not install where water hammer conditions may occur. If water hammer conditions exist you **must** install a water hammer arrester. Contact a plumbing professional if you are uncertain how to check for this condition.
- Do not install on hot water supply lines. The maximum operating water temperature of this filter system is 100° F (38° C).
- Protect filter from freezing. Drain filter when temperatures drop below 33°F (0.6°C).
- Change the disposable filter cartridge every six months or sooner if you observe a noticeable reduction in water flow rate.
- Failure to replace the disposable filter cartridge at recommended intervals may lead to reduced filter performance and cracks in the filter housing, causing water leakage or flooding.



Tested and certified by NSF International against NSF/ANSI Standard 42 and Standard 53 in model GE RPWF and GE RPWFE for the reduction of the claims specified on the performance data sheet.

Consumer Support.



GE Appliances Website

In the U.S.: *GEAppliances.com*

Have a question or need assistance with your appliance? Try the GE Appliances website, 24 hours a day, any day of the year! For greater convenience and faster service, you can now download Owner's Manuals, order parts or even schedule service on-line. In Canada: www.GEAppliances.ca



Schedule Service

In the U.S.: *GEAppliances.com*

Expert GE Appliances repair service is only one step away from your door. Get on-line and schedule your service at your convenience any day of the year! Or call 800.GE.CARES (800.432.2737) during normal business hours.

In Canada, call 1.800.561.3344



Real Life Design Studio

In the U.S.: *GEAppliances.com*

GE Appliances supports the Universal Design concept—products, services and environments that can be used by people of all ages, sizes and capabilities. We recognize the need to design for a wide range of physical and mental abilities and impairments. For details of GE Appliances Universal Design applications, including kitchen design ideas for people with disabilities, check out our Website today. For the hearing impaired, please call 800.TDD.GEAC (800.833.4322).

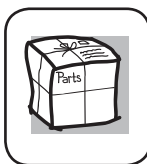
In Canada, contact: Manager, Consumer Relations, Mabe Canada Inc.
Suite 310, 1 Factory Lane
Moncton, N.B. E1C 9M3



Extended Warranties

In the U.S.: *GEAppliances.com*

Purchase a GE Appliances extended warranty and learn about special discounts that are available while your warranty is still in effect. You can purchase it on-line anytime, or call 800.626.2224 during normal business hours. GE Appliances Consumer Home Services will still be there after your warranty expires. In Canada, call 1.888.261.2133



Parts and Accessories

In the U.S.: *GEApplianceParts.com*

Individuals qualified to service their own appliances can have parts or accessories sent directly to their homes (VISA, MasterCard and Discover cards are accepted). Order on-line today, 24 hours every day or by phone at 800.626.2002 during normal business hours.

Instructions contained in this manual cover procedures to be performed by any user. Other servicing generally should be referred to qualified service personnel. Caution must be exercised, since improper servicing may cause unsafe operation.

Customers in Canada should consult the yellow pages for the nearest Mabe service center, or call 1.800.661.1616.



Contact Us

In the U.S.: *GEAppliances.com*

If you are not satisfied with the service you receive from GE Appliances, contact us on our Website with all the details including your phone number, or write to:

General Manager, Customer Relations
GE Appliances, Appliance Park
Louisville, KY 40225

In Canada: www.GEAppliances.ca, or write to:

Director, Consumer Relations, Mabe Canada Inc.
Suite 310, 1 Factory Lane
Moncton, N.B. E1C 9M3



Register Your Appliance

In the U.S.: *GEAppliances.com*

Register your new appliance on-line—at your convenience! Timely product registration will allow for enhanced communication and prompt service under the terms of your warranty, should the need arise. You may also mail in the pre-printed registration card included in the packing material. In Canada: www.GEAppliances.ca

Consignes de sécurité 52-54

Consignes d'utilisation

Fonctions 55-58
Commandes 59, 60
Distributeur* 61
Remplissage automatique* 62
Infuseur une tasse* 62, 63
Communication avec
l'électroménager 64
Filtre à eau 65
Options de stockage des
produits frais 66, 67
Zone climatisée & Tiroir à
température contrôlée 68, 69
Congélateur 70
Machine à glaçons automatique... 71
Entretien et nettoyage 72
Remplacement des ampoules 73

Instructions d'installation

Préparation avant installation
du réfrigérateur 74, 75
Installation du réfrigérateur 76-86
Installation de l'alimentation
en eau 88-90

Conseils de dépannage 92-94

Fonctionnement normal 91
Entretien - Mythe ou réalité 95, 96

Assistance à la clientèle

Garantie pour les clients 97
Certificat de garantie du filtre à eau
à cartouche RPWFE 98
Données de performance 99
Assistance à la clientèle 100

*Certains modèles seulement

Inscrivez ici les numéros de modèle et de série :

Modèle # _____

Numéro de Série # _____

Vous trouverez ces numéros sur l'étiquette apposée sur le côté gauche à mi-hauteur du compartiment de réfrigération.

IMPORTANTES CONSIGNES DE SÉCURITÉ . VEUILLEZ LIRE TOUTES LES CONSIGNES AVANT UTILISATION .

SÉCURITÉ



Site Internet d'Électroménagers GE

Pour de plus amples informations sur le fonctionnement de votre réfrigérateur, consultez le site www.electromenagersge.ca ou composez le 800.561.3344.

! Ce symbole représente une alerte de sécurité. Ce symbole vous avise de dangers possibles pouvant causer la mort, des blessures ou autres. Tous les messages de sécurité seront précédés du symbole d'alerte de sécurité ainsi que des mots « DANGER », « AVERTISSEMENT » ou « MISE EN GARDE ». Ces messages sont les suivants :

DANGER Signale une situation qui présente un danger imminent et qui, si elle n'est pas évitée, entraînera des blessures graves, voire la mort.

AVERTISSEMENT Signale une situation qui présente un danger imminent et qui, si elle n'est pas évitée, peut entraîner des blessures graves, voire la mort. .

ATTENTION Signale une situation qui présente un danger imminent et qui, si elle n'est pas évitée, peut entraîner des blessures mineures ou graves.

IMPORTANTES CONSIGNES DE SÉCURITÉ

AVERTISSEMENT Pour réduire le risque d'incendie, d'explosion, de choc électrique ou de blessures lorsque vous utilisez votre réfrigérateur, veuillez suivre ces consignes de sécurité :

- Ce réfrigérateur doit être correctement installé conformément aux Consignes d'Installation avant toute utilisation.
- Débranchez le réfrigérateur avant d'effectuer une réparation, de remplacer une ampoule ou de le nettoyer.
Remarque : L'alimentation du réfrigérateur ne peut être déconnectée par aucune des fonctions sur le panneau de commande.
Remarque : Les réparations doivent être effectuées par un professionnel qualifié.
- Remettez toutes les pièces et panneaux en place avant d'utiliser l'appareil.
- Ne stockez pas ou n'utilisez pas d'essence ou d'autres vapeurs et liquides inflammables à proximité de cet appareil ou de tout autre appareil électroménager.
- Nous déconseillons fortement l'utilisation d'une rallonge à cause des risques potentiels dans certaines conditions. Cependant, si l'utilisation d'un cordon prolongateur est nécessaire, ce dernier doit obligatoirement être homologué UL (aux USA) ou CSA (au Canada), à trois brins avec mise à la terre pour appareil électroménager et doit être équipé d'une fiche et d'une prise femelle avec terre. Les caractéristiques électriques du cordon prolongateur doivent être de 15 ampères (minimum) et de 120 volts.
- Pour éviter les risques d'asphyxie et d'enfermement pour les enfants. Démontez les portes du congélateur et du compartiment de réfrigération avant de le mettre au rebut ou d'interrompre son utilisation.
- Ne laissez pas les enfants grimper, se mettre debout ou se suspendre aux poignées de portes dans le réfrigérateur ou aux clayettes du réfrigérateur. Ils pourraient se blesser gravement.

Avertissements de la Proposition 65 de l'État de la Californie :

AVERTISSEMENT Ce produit contient une ou plusieurs substances chimiques reconnues par l'État de Californie pour causer le cancer et des anomalies congénitales ou d'autres problèmes liés à la reproduction.

ATTENTION Pour réduire le risque de blessures lorsque vous utilisez votre réfrigérateur, veuillez suivre ces consignes de sécurité.

- Ne nettoyez pas les clayettes ou les couvercles en verre avec de l'eau tiède quand ceux-ci sont froids. Les clayettes et couvercles en verre peuvent se casser s'ils sont exposés à des changements soudains de température ou si vous les cognez ou les faites tomber. Le verre trempé est conçu pour se briser en petits morceaux en cas de casse
- Éloignez les doigts des parties du congélateur où l'on peut facilement se pincer : les espaces entre les portes, et entre les portes et les placards sont toujours étroits. Soyez prudent lorsque vous fermez les portes en présence d'enfants.
- Ne touchez pas les surfaces froides du congélateur lorsque vous avez les mains humides ou mouillées. La peau risque d'adhérer à ces surfaces extrêmement froides.
- Ne recongelez pas les aliments surgelés qui ont complètement dégelé.
- Si votre réfrigérateur est doté d'une machine à glaçons automatique, évitez le contact avec les pièces mobiles du mécanisme éjecteur, ou avec l'élément chauffant qui libère les glaçons. Ne posez pas les doigts ou les mains sur le mécanisme de la machine à glaçons automatique pendant que le réfrigérateur est branché.

SÉCURITÉ (SUITE)

INSTALLATION



AVERTISSEMENT



Risque d'explosion.

Conservez les matériaux et vapeurs inflammables tels que l'essence à l'écart de votre réfrigérateur. Une explosion, un incendie voire la mort pourrait en résulter.



AVERTISSEMENT



Risque de basculement

Les modèles encastrés (modèles PYE, CYE, GYE, DYE, PWE, CWE et ZWE) sont plus lourds au niveau de leur partie supérieure, surtout avec les portes ouvertes. Ces modèles doivent être fixés à l'aide du système anti-basculement par fixation au sol pour éviter que l'appareil ne bascule vers l'avant, ce qui pourrait entraîner des blessures graves, voire mortelles. Lisez et suivez les instructions d'installation complètes pour l'installation du système anti-basculement par fixation au sol livré avec votre réfrigérateur.

BRANCHEMENTS ÉLECTRIQUES



AVERTISSEMENT



Risque de choc électrique.

Branchez l'appareil dans une prise triple avec terre.

Ne retirez pas la broche de terre.

N'utilisez pas d'adaptateur.

Le non-respect de ces instructions peut entraîner des risques d'incendies, des chocs électriques ou la mort.



Ne coupez pas ou n'enlevez pas, sous aucun prétexte, la troisième broche de mise à la terre du cordon d'alimentation. Pour des raisons de sécurité, cet appareil doit être correctement mis à la terre.

Le cordon d'alimentation de cet appareil est équipé d'une fiche à trois broches (pour une mise à la terre) qui s'adapte à la prise de courant standard à 3 broches (pour une mise à la terre) pour minimiser les risques de chocs électriques par cet appareil.

Faites vérifier la prise murale et le circuit électrique par un électricien qualifié pour s'assurer que le système est correctement mis à la terre.

Dans le cas d'une prise biphasée, l'installateur a la responsabilité et l'obligation de la remplacer par une prise triphasée correctement mise à la terre. N'utilisez pas d'adaptateur.

Le réfrigérateur doit toujours être branché à sa propre prise électrique d'une tension nominale correspondant à celle indiquée sur sa plaque signalétique.

Une alimentation électrique à 115 volts CA, 60 Hz, avec un fusible de 15 ou 20 ampères et une mise à la terre est nécessaire. Ceci permet d'obtenir un meilleur rendement et évite de surcharger les circuits électriques du domicile qui risque d'occasionner un incendie en surchauffant.

Ne débranchez jamais le réfrigérateur en tirant sur le cordon d'alimentation. Prenez toujours fermement la fiche en main et tirez pour la sortir de la prise.

Réparez ou remplacez immédiatement tout cordon électrique usé ou endommagé. N'utilisez pas un cordon fissuré ou présentant des dommages dus aux frottements soit sur sa longueur ou aux extrémités.

Lorsque vous éloignez votre réfrigérateur du mur, faites attention à ne pas le faire rouler sur le cordon d'alimentation afin de ne pas l'endommager.

IMPORTANTES CONSIGNES DE SÉCURITÉ. VEUILLEZ LIRE TOUTES LES CONSIGNES AVANT UTILISATION.

SÉCURITÉ (SUITE) DISTRIBUTEUR D'EAU CHAUDE



Risque de brûlures.

Le distributeur d'eau chaude peut chauffer l'eau jusqu'à une température d'environ 185°F (85°C). Une eau à une température dépassant 125°F (52°C) peut provoquer des brûlures graves ou voire la mort par ébouillement. Les enfants, les personnes handicapées et les personnes âgées sont plus à risque de se brûler.

Utilisez uniquement cet appareil pour l'usage auquel il est destiné tel que décrit dans le manuel d'utilisation. Pour réduire le risque de brûlures graves, de blessures par ébouillement voire la mort lors de l'utilisation de votre distributeur d'eau chaude, veuillez suivre les consignes suivantes :

- Ne laissez pas les enfants utiliser le distributeur d'eau chaude.
- L'eau provenant du distributeur est très chaude. Soyez extrêmement prudent lors de la distribution et de l'utilisation de l'eau. Laissez refroidir l'eau à une température appropriée à sa consommation avant de la boire.
- Lors de la distribution d'eau à une température inférieure à 125°F (52°C), veuillez toujours vérifier la température de l'eau avant de la boire.
- Lors de la distribution d'eau chaude, le récipient peut devenir très chaud. Utilisez un récipient isolant thermique, tel que la céramique ou la mousse de polystyrène. L'utilisation d'un récipient en papier ou plastique peut provoquer des brûlures tout en tenant la tasse. N'utilisez pas de récipients en verre. Il pourrait se casser en raison d'un choc thermique ce qui pourrait entraîner des brûlures ou des coupures.
- N'utilisez pas une eau qui est microbiologiquement insalubre ou de qualité inconnue.
- Tenez votre tasse ou votre récipient à côté de la sortie d'eau chaude pour éviter que l'eau chaude n'éclabousse votre main.
- Une cartouche de filtre à eau nouvellement installée peut provoquer des éclaboussures en sortie du distributeur. Faites passer 2 gallons (7,5 litres) d'eau dans le distributeur d'eau froide (pendant environ 5 minutes) pour purger l'air du système. Tant que l'air dans le système n'a pas été purgé par le distributeur d'eau froide, N'utilisez PAS le distributeur d'eau chaude. L'air dans le circuit pourrait provoquer des éclaboussures d'eau chaude et donc provoquer des brûlures.
- Lors de la première utilisation du distributeur d'eau chaude, vérifiez si vous vivez à une altitude supérieure à 1525 mètres (5000 pieds / haute altitude). Cette altitude limite la température du dispositif d'eau chaude pour éviter l'ébullition. Pour accéder à l'option Haute altitude, pressez **Fridge** et **Door Alarm** pour voir l'affichage basculer entre **Hi AL** et **Lo AL** (haute altitude et basse altitude respectivement).
- Le distributeur d'eau chaude est conçu pour distribuer uniquement de l'eau. N'essayez pas de réchauffer ou de verser un autre liquide que de l'eau. Ne tentez pas de démonter ou de nettoyer le réservoir.
- Le réservoir de distribution d'eau chaude n'est pas sous pression, il est doté d'un évent et d'un orifice pour tube de distribution. En aucun cas vous ne devez modifier le système, fermer ou bloquer le tube de distribution, ou brancher tout autre type de dispositif sur le réservoir ou le tube de distribution. Autrement, il y a risque de rupture du réservoir et brûlure par ébouillement.

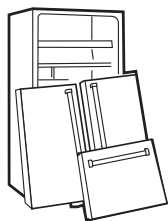
MISE AU REBUT APPROPRIÉE DE VOTRE ANCIEN RÉFRIGÉRATEUR



Un enfant risque de suffoquer ou d'y être emprisonné.

Démontez les portes du compartiment de réfrigération et du compartiment de congélation du réfrigérateur, avant mettre celui-ci au rebut. Le non-respect de cette recommandation peut entraîner l'enfermement d'un enfant qui peut entraîner la mort ou des lésions cérébrales.

IMPORTANT:



Les enfants pris au piège ou morts d'asphyxie sont toujours d'actualité. Les réfrigérateurs jetés ou abandonnés restent dangereux même si vous ne les laissez au rebut que pour « quelques jours ». Si vous voulez jeter votre ancien réfrigérateur, suivez les instructions suivantes pour empêcher les accidents.

Avant de jeter votre ancien réfrigérateur ou congélateur:

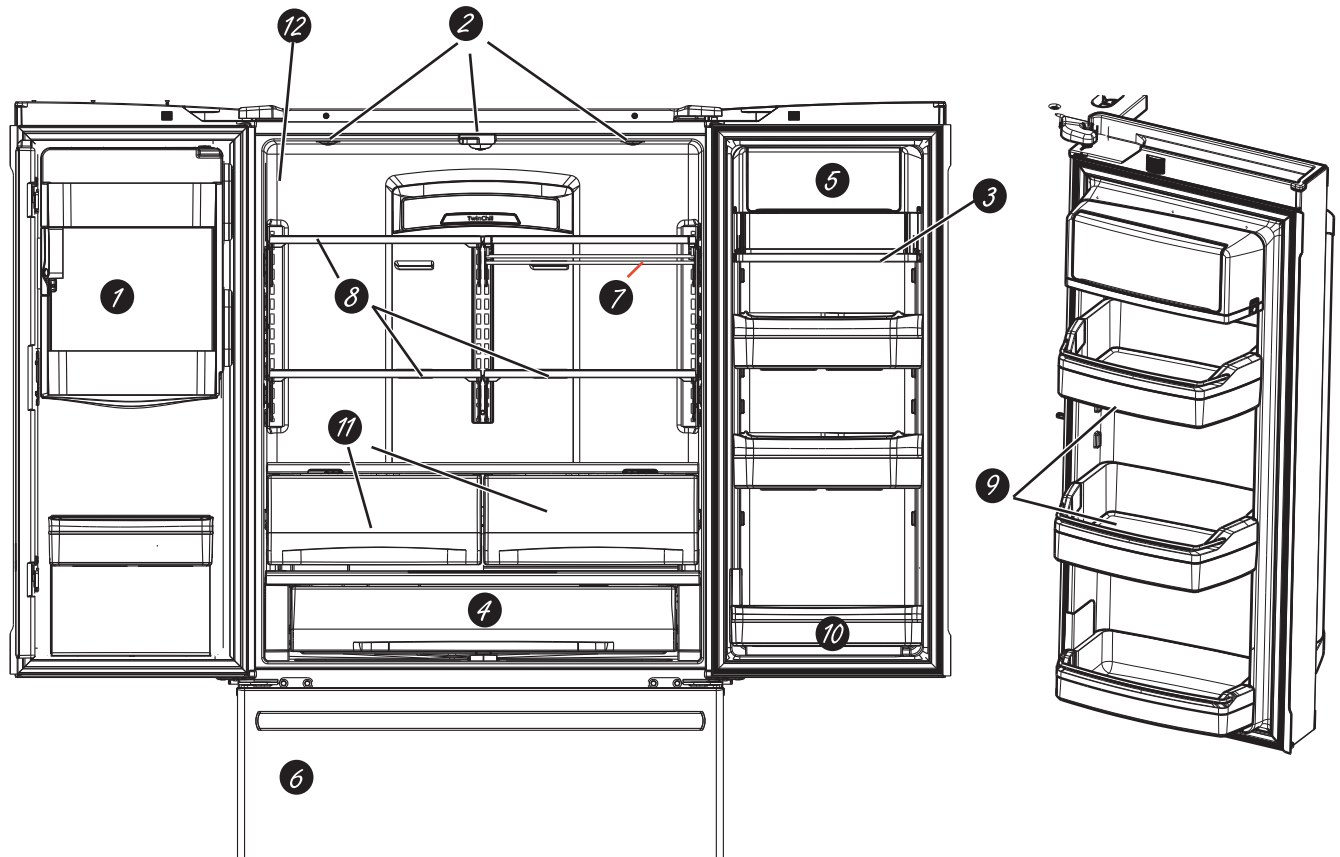
- Démontez les portes du compartiment de réfrigération et du compartiment de congélation.
- Leave the shelves in place so that children may not easily climb inside.

Fluides frigorigènes

Les appareils réfrigérants contiennent des fluides frigorigènes qui conformément à la législation fédérale doivent être retirés avant la mise au rebut de l'appareil. Si vous mettez au rebut un ancien réfrigérateur contenant des fluides frigorigènes, vérifiez la procédure à suivre auprès de la compagnie responsable de l'élimination.



LISEZ ET SUIVEZ SOIGNEUSEMENT CES CONSIGNES DE SÉCURITÉ.
CONSERVEZ CES INSTRUCTIONS



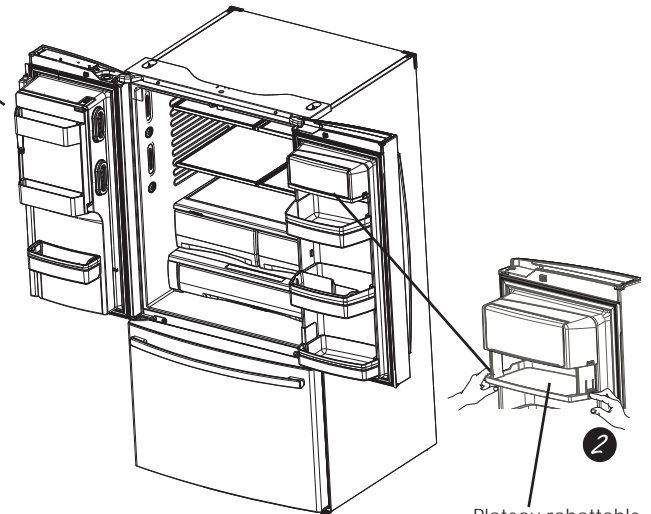
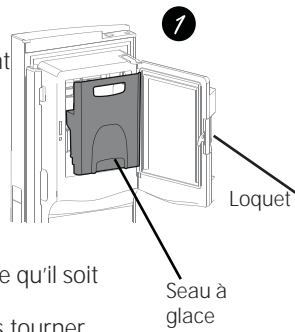
- 1 Machine à glaçons à faible encombrement ***
La machine à glaçons et son bac sont situés sur la porte permettant d'avoir un espace de stockage plus spacieux.
- 2 Éclairage à DEL**
L'éclairage à DEL est placé dans tout le compartiment pour éclairer différentes zones du réfrigérateur. Des DEL sont situées sous la porte du réfrigérateur pour éclairer le congélateur lorsque celui-ci est ouvert.
- 3 Plateau rabattable***
Permet un espace de stockage dans la porte en cas de besoin. Il se replie lorsqu'il ne sert pas.
- 4 Tiroir de pleine largeur à température contrôlée***
Bac à température contrôlée qui peut accueillir les produits les plus volumineux.
- 5 Bac à produits laitiers***
Compartiment séparé pour vos produits.
- 6 Machine à glaçons congélateur / bac d'appoint***
Une machine à glace pour chacun des deux compartiments vous permettra d'avoir une plus grande réserve de glace sous la main. Offert pour les modèles sans distributeur, aussi en ensemble prêt-à-monter pour certains modèles.
- 7 Clayette QuickSpace™ ***
Elle s'utilise comme une clayette normale de pleine largeur. Elle se glisse vers l'arrière pour stocker des produits hauts.
- 8 Clayettes anti-débordements**
Conçues pour empêcher les aliments renversés de couler et permettre ainsi un nettoyage facile.
- 9 Tapis antidérapant***
Doublure qui recueille les renversements, empêche les contenants de bouger à l'ouverture de la porte et se retire aisément pour le nettoyage.
- 10 Bac amovible à condiments**
Bac séparé conçu pour faciliter le retrait et le stockage.
- 11 Bac climatisé**
Bacs séparés pour le stockage des produits.
- 12 Filtre à eau**
Filtre l'eau et l'eau destinée à se transformer en glace.

*Certains modèles seulement

A propos des fonctions. *

1 Bac à glace de porte* *

1. Ouvrez la porte gauche du compartiment de réfrigération.
2. Tirez le loquet vers le bas pour ouvrir la porte du bac.
3. A l'aide de la poignée, soulevez le seau à glace pour libérer les repères au fond du bac.
4. Pour remettre le seau à glace, placez-le sur les guides et enfoncez-le jusqu'à ce qu'il soit correctement en place.
5. Si vous n'arrivez pas à le remettre, faites tourner la fourche d'1/4 de tour dans le sens des aiguilles d'une montre.



Plateau rabattable [bac ouvert]

2 Bac rabattable pour les produits laitiers*

1. Ouvrez la porte droite du compartiment de réfrigération.
2. Appuyez sur les deux boutons sur les côtés inférieurs et le bac s'ouvrira.
3. Faites la manœuvre en sens inverse pour le réinstaller.

3 Filtre à eau/à glace

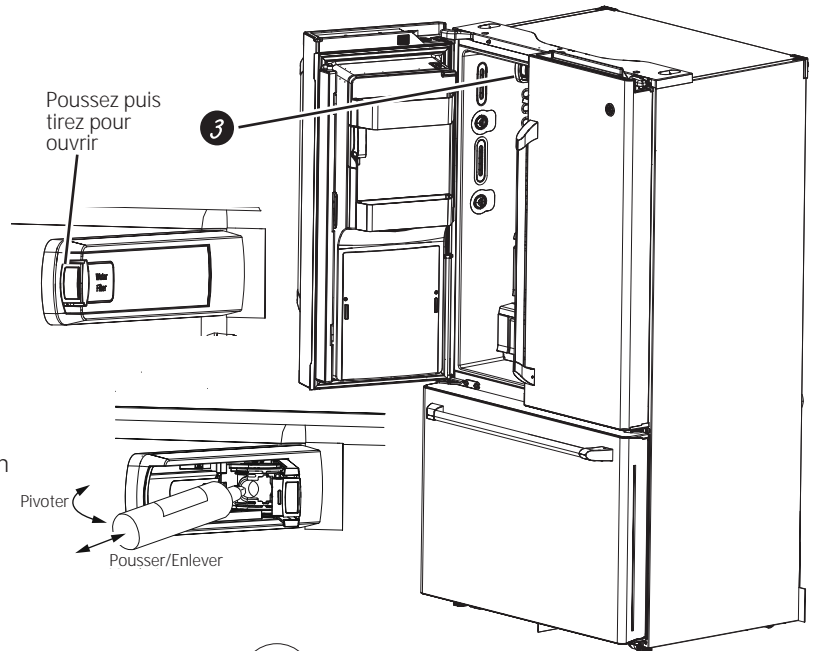
Retrait du filtre et du bouchon de dérivation

Poussez le loquet du couvercle et tirez la porte du filtre pour l'ouvrir totalement. Tournez le filtre/le bouchon de dérivation aussi loin que possible puis tirez le filtre/bouchon de dérivation vers soi pour l'enlever.

Installation de la cartouche filtrante

Poussez le nouveau filtre/bouchon de dérivation en ligne droite, en alignant les tenons sur les encoches du logement et tournant le filtre/bouchon de dérivation dans le renforcement du logement. Assurez-vous que l'avant du filtre est orienté vers l'intérieur du réfrigérateur.

Fermez le couvercle en vous assurant que le loquet s'encliquette en position.



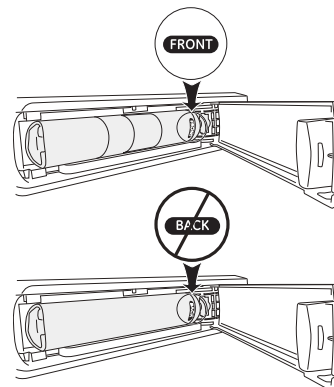
AVERTISSEMENT **Risque d'ébullition.***

L'utilisation du distributeur d'eau chaude avant l'évacuation de l'air du système peut provoquer un jaillissement d'eau très chaude causant des brûlures. Suivez les instructions sous « Filtre à eau – Étape 3 » à la page 65 pour expulser l'air du système par le distributeur d'eau froide avant d'utiliser le distributeur d'eau chaude.

À la première utilisation de la fonction d'eau chaude, indiquez si vous vivez au-dessus de 1524 mètres (5000 pieds – haute altitude). Cela limite la température du système d'eau chaude afin de prévenir l'ébullition. Pour accéder à l'option de haute altitude, reportez-vous à la section Commandes.

Bouchon de dérivation du filtre

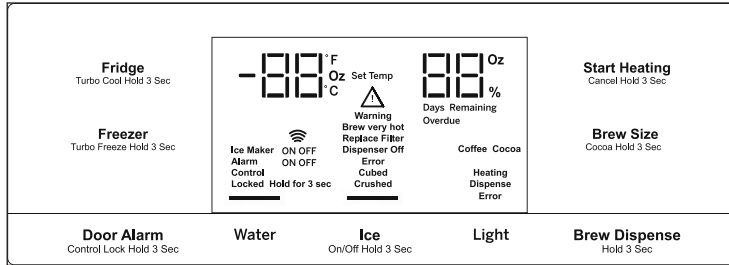
Pour réduire le risque de dommage à la propriété en raison de fuites d'eau, vous **DEVEZ** utiliser un bouchon de dérivation du filtre lorsqu'une cartouche filtrante de rechange n'est pas disponible. Le distributeur et la machine à glaçons ne fonctionneront pas sans que ne soient installés le filtre ou le bouchon de dérivation. Le bouchon de dérivation s'installe de la même manière que la cartouche filtrante.



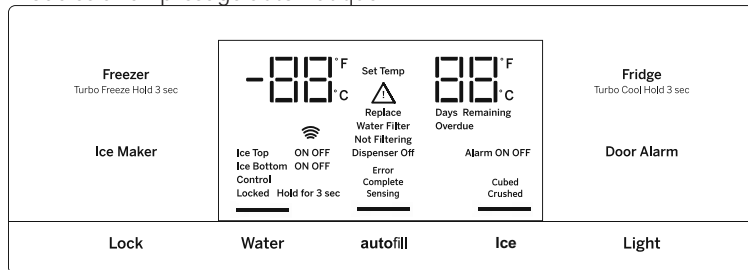
*Certains modèles seulement

À propos des paramètres de température.

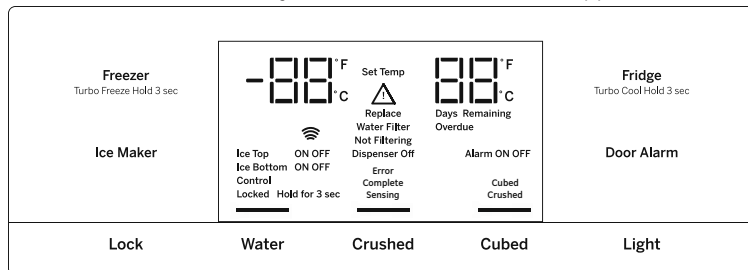
PFE28P, PYE22P Style de contrôle A, modèles à une tasse



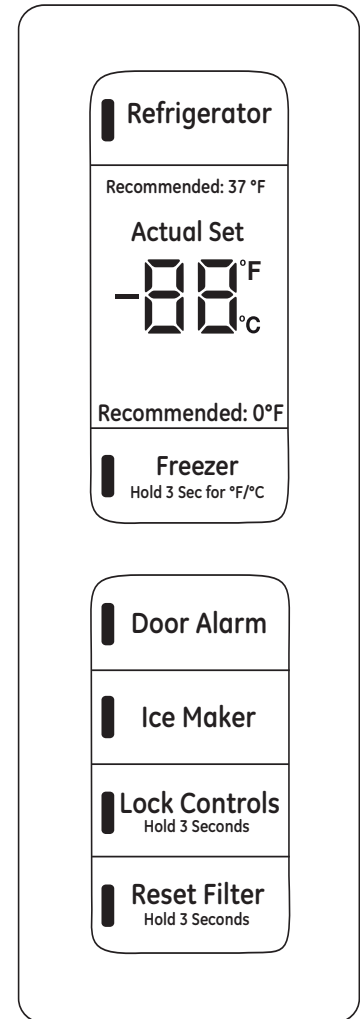
PFH28, PFE28K, DFE28, PYE22K, DYE22 Style de contrôle B, modèles à remplissage automatique



GFE28, GFE26, GYE22 Style de contrôle C, modèles GE Appliances



GNE29, PWE23 Style de contrôle D, modèle sans distributeur



REMARQUE: Le réfrigérateur est livré avec un film protecteur sur les commandes de températures. Si le film n'a pas été retiré pendant l'installation, retirez-le maintenant.

Les commandes de températures sont pré-réglées en usine à 37°F (3°C) pour le compartiment réfrigérateur et à 0°F (-18°C) pour le compartiment congélateur. Veuillez attendre 24 heures pour que la température se stabilise au pré-réglage recommandé.

Style de contrôle D : Les commandes de températures peuvent afficher les températures SET (fixées) ainsi que les températures réelles à l'intérieur du réfrigérateur et du congélateur. La température actuelle peut légèrement varier de la température SET (fixée) suivant les conditions d'utilisation et de fonctionnement (PWE23 et GNE29 only).

À propos des paramètres de température.

Modification de la température pour un style de contrôle A

Pour modifier la température du réfrigérateur :

Pressez le bouton **Fridge** pour afficher le réglage de température actuel. Presser et relâcher le bouton fera défiler les réglages de température disponibles. Maintenez une pression sur le bouton pour la fonction **Turbo Cool**. L'affichage indiquera **tC**.

Pour changer la température du congélateur :

Pressez le bouton **Freezer** pour afficher le réglage de température actuel. Presser et relâcher le bouton fera défiler les réglages de température disponibles. Maintenez une pression sur le bouton pour la fonction **Turbo Freeze**. L'affichage indiquera **tF**.

On peut désactiver le système de refroidissement en maintenant une pression sur **Freezer** et **Start Heating**. **OFF** s'affichera. Pour activer, pressez **Fridge** ou **Freezer**. **ON** s'affichera.

Désactiver le système de refroidissement arrête le refroidissement au réfrigérateur, mais il ne coupe pas le courant électrique.

Modification de la température pour un style de contrôles B et C

Pour changer la température, pressez et relâchez la touche

Congélateur ou **Réfrigérateur**. L'affichage indiquera la température réglée. Pour changer la température, pressez la touche **Congélateur** ou **Réfrigérateur** jusqu'à ce que la température désirée soit affichée. Maintenez une pression sur le bouton pour la fonction **Turbo Cool**. L'affichage indiquera **tC**. Maintenez une pression sur le bouton pour la fonction **Turbo Freeze**. L'affichage indiquera **tF**.

Pour **Désactiver** le système de refroidissement, maintenez une pression sur les touches **Réfrigérateur** et **Machine À Glaçons** pendant. Pour activer, pressez **Fridge** ou **Freezer**.

Désactiver le système de refroidissement arrête le refroidissement au réfrigérateur, mais il ne coupe pas le courant électrique.

Modification de la température pour un style de contrôle D

L'affichage de la température est situé à l'intérieur de la porte du réfrigérateur à gauche. Pour changer la température, appuyez et relâchez la languette **Réfrigérateur** ou **Congélateur**. Le voyant lumineux **Temp. Actuelle** sera activé et l'écran affichera la température réelle. Pour modifier la température, appuyez soit sur **Réfrigérateur** ou **Congélateur** jusqu'à ce que la température souhaitée soit affichée.

Pour **Désactiver** le système de refroidissement, appuyez sur la languette **Réfrigérateur** ou **Congélateur** pendant 3 seconds. Lorsque le système de refroidissement est **Désactivé** l'affichage doit indiquer **Désactivé**.

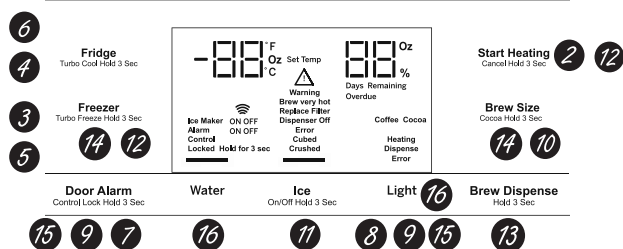
Pour **Activer** le système de refroidissement, appuyez sur la languette **Réfrigérateur** ou **Congélateur**. L'écran affiche les réglages de température pré-réglés de 37° pour un réfrigérateur et 0°F pour un congélateur.

Désactiver le système de refroidissement arrête le refroidissement au réfrigérateur, mais il ne coupe pas le courant électrique.

REMARQUE : Pour une température optimale, il est recommandé d'éviter de placer la nourriture ou d'autres produits directement devant les bouches de circulation d'air ou devant la tour de ventilation autour des aliments frais, empêchant ainsi le flux d'air.

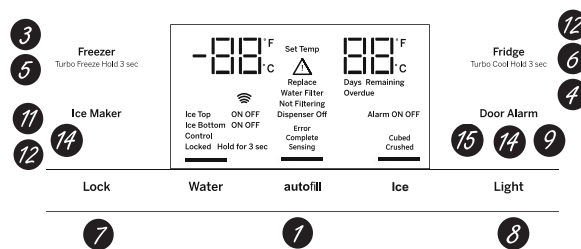
Style de commandes A, Commandes externes

PFE28P,
PYE22P



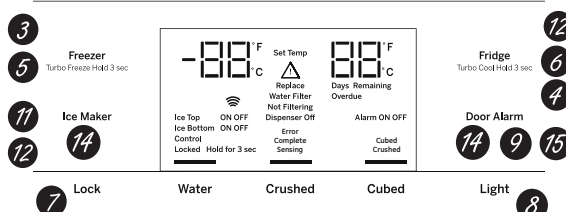
Style de commandes B, Commandes externes

PFH28, PFE28K, DFE28,
PYE22K, DYE22



Style de commandes C, Commandes externes

GFE28, GFE26,
GYE22



- 1 Remplissage automatique mains libres***
Le remplissage automatique mains libres fonctionne avec des capteurs qui contrôlent le remplissage du bac, distribuant l'eau filtrée automatiquement sans avoir à être activé manuellement.
- 2 Start Heating* (Démarrer le chauffage)**
Le bouton Start Heating est utilisé pour démarrer le chauffage de l'eau avec la fonction Single Serve. Pour interrompre la fonction Start Heating, maintenez une pression sur le bouton Start Heat durant 3 secondes.
- 3 Commande Freezer temp (Température du congélateur)**
Règle la température du compartiment congélateur.
- 4 Gestion de la température du compartiment pour les aliments frais**
Ajuster la température du compartiment pour les aliments frais.
- 5 Réglage du TurboFreeze^{MC}**
Activer le TurboFreeze pour une restauration rapide de la température du congélateur après que la porte ait fréquemment été ouverte.
- 6 Réglage du TurboCool^{MC}**
Activer le TurboCool pour une restauration rapide de la température du compartiment pour les aliments frais après que la porte ait fréquemment été ouverte.
- 7 Commandes de verrouillage**
Style de contrôle A – Maintenez une pression sur la touche Door Alarm durant 3 secondes pour verrouiller le distributeur de glace et d'eau ainsi que toutes les boutons de fonction et de température.
Styles de contrôle B et C – Maintenez une pression sur la touche Lock durant 3 secondes pour verrouiller le distributeur de glace et d'eau ainsi que toutes les boutons de fonction et de température.
- 8 Lumière du distributeur**
Lumière qui peut être allumée pour éclairer votre distributeur.
- 9 Commandes de verrouillage**
Émet une sonnerie d'alerte lorsqu'une porte du congélateur ou du réfrigérateur a été laissée ouverte. Maintenez une pression sur la touche Door Alarm et le volume de la sonnerie défilera entre faible, élevé et désactivé.
- 10 Brew Size* (Quantité à infuser)**
Le bouton Brew Size est utilisé pour sélectionner la quantité à infuser pour une tasse. Maintenez une pression sur le bouton durant 3 secondes pour basculer le type d'infusion entre Coffee et Cocoa.
- 11 Réglage de la machine à glaçons**
Mettre en marche ou éteindre vos machines à glaçons.
- 12 Activation/Désactivation du système de refroidissement**
Style de commandes A - Maintenez une pression sur Freezer et Start Heating simultanément pour désactiver le système de refroidissement. Pour activer ce système, pressez Fridge ou Freezer.
Style de commandes B et C - Maintenez une pression sur les touches RÉFRIGÉRATEUR et MACHINE À GLAÇONS simultanément pendant 3 secondes pour activer ou désactiver le système de refroidissement. Pour activer le système de refroidissement, pressez Fridge ou Freezer.
- 13 Brew Dispense (Distribution du breuvage)**
Maintenez une pression sur le bouton Brew Dispense durant 3 secondes, sans dépasser 6 secondes, pour distribuer le café ou le cacao.
- 14 F°/C°**
Style de commandes A - Maintenez une pression sur Freezer et Brew Size pour basculer entre F° et C°.
Style de commandes B et C - Maintenez une pression sur Ice Maker et Door Alarm simultanément durant 3 secondes pour basculer entre F° et C°.
- 15 Contrôle de volume pour la tonalité des touches**
Style de contrôle A – Maintenez une pression sur la touche Light : une seule fois pour passer de High à Off, deux fois de Off à Low, et trois fois de Low à High.
Styles de contrôle B et C – Maintenez une pression sur la touche Door Alarm : une seule fois pour passer de High à Off, deux fois de Off à Low, et trois fois de Low à High.
- 16 High Altitude (Haute altitude)**
Style de contrôle A (PYE et PFE seulement) – Maintenez une pression sur Fridge et Door Alarm pour basculer entre Hi AL et Lo AL pour la haute altitude et la basse altitude respectivement.

Réglages additionnels :

- Prêt pour connexion à la maison* (PFE28P, PYE22P, PFH seulement)
- Water Filter* (Filtre à eau) – Un voyant s'allume lorsque le filtre doit être remplacé. Une fois le nouveau filtre installé, le voyant s'éteint.

Modes additionnels :

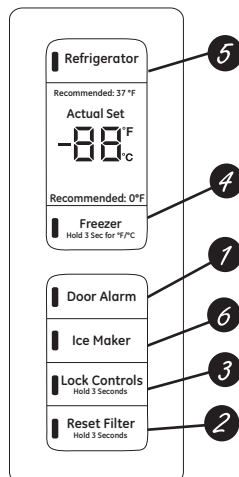
- **Mode Sabbath**
Style de commandes A - Maintenez une pression sur Alarm et Light simultanément durant 3 secondes pour entrer dans le mode Sabbath ou le quitter
Style de commandes B et C - Appuyer simultanément pendant trois secondes sur le bouton de verrouillage et sur celui de la lumière pour activer ou désactiver le mode Sabbath. Activer le mode Sabbath pour éteindre les lumières intérieures, le contrôle de la température et les fonctions avancées. Lorsqu'il sera en mode Sabbath, le compresseur sera alimenté par une décongélation programmé

*Certains modèles seulement

À propos des contrôles - Funciones.

Style de commandes D,
Commandes internes

GNE29, PWE23



1 Avertisseur sonore de la porte

Vous entendrez un avertissement sonore lorsque la porte du congélateur ou celle du compartiment pour les aliments frais aurait été laissée ouverte.

2 Réinstallation du filtre

Appuyer pendant 3 secondes après avoir remplacé le filtre.

3 Commandes de verrouillage

Appuyer pendant 3 secondes pour verrouiller le distributeur de glace et d'eau ainsi que tous les boutons de commandes et de température.

4 Gestion de la température du congélateur

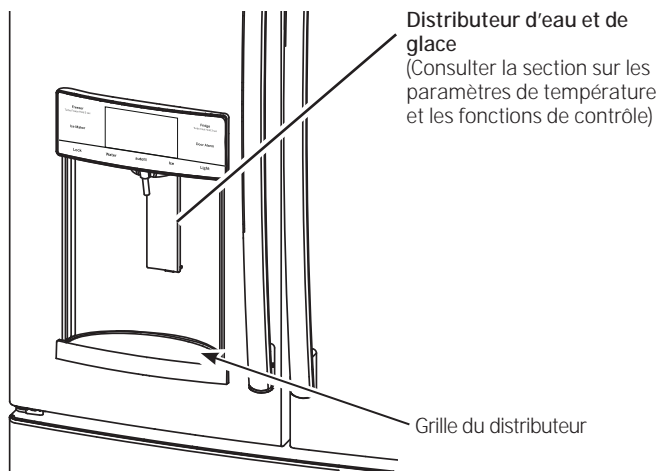
Ajuster la température du compartiment congélateur.

5 Gestion de la température du réfrigérateur

Ajuster la température du compartiment pour les aliments frais.

6 Réglage de la machine à glaçons

Mettre en marche ou éteindre vos machines à glaçons.



AVERTISSEMENT

Risque de lacération

- N'introduisez jamais les doigts ou tout autre objet dans l'ouverture de sortie du broyeur de glace. Vous risqueriez de toucher les lames du broyeur de glace et entraîner des blessures graves, voire une amputation.
- Utilisez un verre robuste lorsque vous prenez les glaçons. Un verre fragile pourrait se casser et occasionner une blessure.

Si l'eau n'est pas distribuée lorsque le réfrigérateur vient d'être installé, il y a peut-être de l'air dans le conduit d'eau. Appuyez sur le bras du distributeur pendant au moins cinq minutes pour purger l'air contenu dans le conduit d'alimentation en eau et ainsi remplir ce dernier d'eau. Afin d'éliminer les impuretés du système, jetez les six premiers verres d'eau.

Pour retirer la grille du distributeur (Type A et B seulement)

- Tirez la grille du distributeur vers vous jusqu'à la butée.
- Localisez la languette centrale sur le fond de la grille et appuyez.
- Tirez l'ensemble de la grille du distributeur vers vous.
- Sortez la grille du distributeur en la levant à l'encoche centrale pour la nettoyer.

Pour retirer la grille du distributeur (Type C seulement)

- Saisissez la grille du distributeur et tirez-la fermement jusqu'à la sortir.

Pour remettre la grille du distributeur (Type A et B seulement)

- Placez le couvercle de la grille du distributeur sur le dessus de la clayette de récupération et placez-le sous les deux pattes en plastique de chaque côté.
- Centrez la grille du distributeur et alignez-la à l'aide des guides centraux.
- Poussez jusqu'à ce qu'elle soit bien en place.

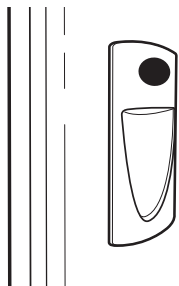
Pour remettre la grille du distributeur

- Alignez le guide du bas de la grille sur le rail du distributeur et glissez la grille jusqu'à ce qu'elle s'immobilise à l'arrière du distributeur.

Informations importantes concernant votre distributeur

- N'ajoutez pas de glaçons provenant des bacs ou de sac à glaçons au seau de la machine à glaçons de la porte. Ils peuvent être difficile à piler ou à distribuer.
- Évitez de trop remplir les verres de glaçons et d'utiliser des verres étroits. La glace accumulée peut bloquer le conduit ou peut geler le volet en position fermée. Si des glaçons bloquent le conduit, retirer le seau à glace et faites-les passer à l'aide d'une cuillère en bois.
- Ne placez pas de boisson ou d'aliment dans le bac de la machine à glaçons pour les refroidir rapidement. Les canettes, bouteilles et paquets alimentaires peuvent bloquer la machine à glaçons ou la vis sans fin.
- Pour éviter que la glace distribuée ne manque le verre, placez ce dernier à proximité de l'ouverture du distributeur, mais sans la toucher.
- Il est possible que de la glace pilée soit distribuée même si vous avez choisi **CUBED ICE** (glaçons). Cela se produit de temps à autre lorsque plusieurs glaçons sont accidentellement acheminés vers le broyeur.
- Après distribution de glace pilée, de l'eau peut s'écouler du conduit.
- Parfois, un peu de givre se forme sur le volet du conduit à glace. Ce phénomène est normal et se produit en général après des distributions répétées de glace pilée. Le givre va éventuellement s'évaporer.

Pour utiliser le distributeur d'eau interne*



Le distributeur d'eau est situé sur le mur intérieur gauche du compartiment réfrigérateur.

Pour la distribution d'eau :

- 1 Placer le verre contre la cavité.
- 2 Appuyer sur le bouton du distributeur d'eau.
- 3 Tenir le verre sous le distributeur pendant 2 ou 3 secondes après avoir relâché le bouton du distributeur. L'eau pourrait continuer à couler après que le bouton ait été relâché.

Si l'eau ne coule pas lorsque le distributeur est utilisé pour la première fois, il se pourrait qu'il y ait de l'air dans le système de conduites d'eau. Appuyez sur le bouton du distributeur pendant au moins 5 minutes pour permettre à l'air emprisonné de sortir des conduites et pour permettre à l'eau de les remplir. Il se pourrait que le distributeur émette beaucoup de bruit pendant le processus; ce bruit sera provoqué par la sortie de l'air des conduites d'eau. Afin de nettoyer les conduites d'eau de toute impureté, jetez les 6 premiers verres d'eau qui sortiront du distributeur.

Note : Pour éviter l'accumulation d'eau, le distributeur devrait être essuyé de temps à autre à l'aide d'un chiffon ou d'une éponge propre.

*Certains modèles seulement

À propos du remplissage automatique.*

Pour utiliser le remplissage automatique mains libres :

- Centrez le récipient sur la grille du distributeur aussi loin que possible sans activer le bras palpeur, puis retirez la main du récipient.
- Appuyer sur **Remplissage automatique**

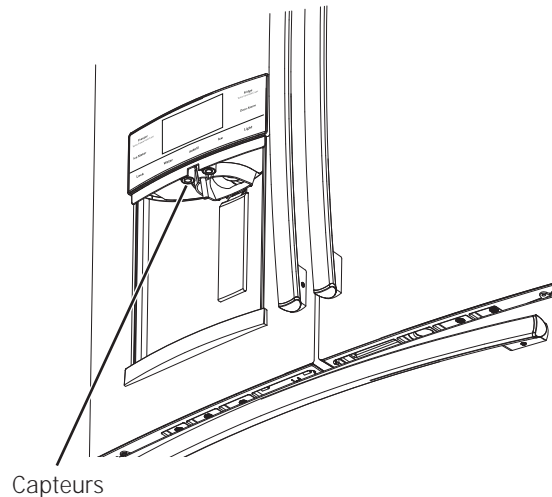
Pour arrêter le Remplissage automatique

- Pressez **AUTOFILL** pour arrêter.

Faits importants à propos du Remplissage automatique

- Pour obtenir des résultats optimaux, utiliser un récipient uniforme d'une hauteur de 4 à 8 po. et d'une largeur de 2 à 6 po.
- Le niveau de remplissage et la fonctionnalité peuvent varier dans le cas de récipients dont la longueur excède 20,3 cm (8 po) ou la largeur, 15,2 cm (6 po).
- Le volume des récipients pourrait également varier; si vous recevez le message d'erreur « Récipient introuvable », essayez avec un récipient différent.
- Le remplissage automatique prendra fin automatiquement après un certain temps.
- Une poignée, des pailles, ou d'autres garnitures sur le rebord du récipient pourraient entraîner un débordement ou des variations du volume de remplissage.
- Des éclaboussures pourraient se produire selon la position du récipient, le débit d'eau, la forme du récipient et la présence de glaçons
- Nettoyer les capteurs régulièrement à l'aide d'un chiffon propre et humide, et ne pas vaporiser de liquide ni de nettoyant directement sur les capteurs.
- Le remplissage automatique fonctionne mieux si la pression d'eau de la résidence se trouve entre 60 et 100 livres par pouce carré.

- La glace dans le récipient peut influencer le volume de remplissage. En cas de problème, utilisez moins de glace.



Systeme d'infusion K-Cup *

Informations importantes concernant l'eau chaude

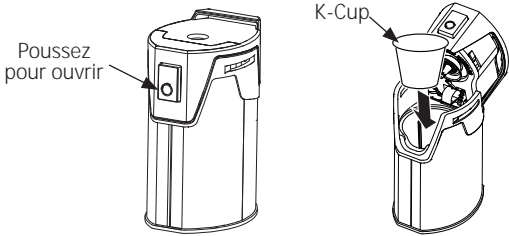
AVERTISSEMENT **Risque de brûlures.**

- L'eau délivrée par le distributeur est très chaude et peut provoquer des brûlures et des échaudures. **Veillez lire tous les avertissements avant utilisation. (Voir page 54).**
- Ne permettez pas aux enfants d'utiliser l'infuseur.
- Veuillez toujours utiliser un récipient qui est adapté aux liquides chauds (céramique, mousse de polystyrène expansé, etc.)
- N'infusez pas dans un récipient en verre car il risquerait de se fissurer ou d'éclater.

- Si vous vivez à une altitude supérieure à 1525 mètres (5000 pieds), pressez les touches Fridge (Réfrigérateur) et Door Alarm (Alarme de porte) afin que la commande puisse passer de Low Altitude (Lo AL / Basse altitude) à High Altitude (Hi AL / Haute altitude).
- N'utilisez PAS le distributeur d'eau chaude immédiatement après l'installation d'un nouveau filtre à eau car de l'eau très chaude pourrait en jaillir. Distribuez de l'eau froide durant environ 5 minutes pour évacuer l'air du système avant de distribuer l'eau chaude.

*Certains modèles seulement

- 1** **Charger l'infuseur K-Cup**
 Insérez une dosette K-Cup de Keurig dans l'infuseur et poussez fermement vers le bas (vous entendrez un petit bruit sec).

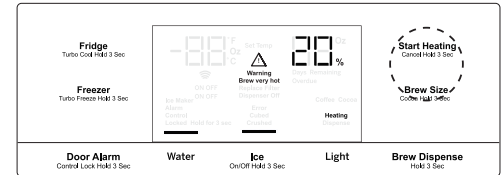


Fermez l'infuseur. Le couvercle fera entendre un clic s'il est bien fermé.

ATTENTION **Risque de coupure ou de piqûre.**

- Deux aiguilles acérées se trouvent à l'intérieur de l'infuseur K-Cup. Pour prévenir les blessures, ne mettez pas vos doigts à l'intérieur de l'infuseur. Utilisez de précaution lors du nettoyage.
- Gardez l'infuseur K-Cup à l'écart des enfants car ils peuvent se blesser suite à son utilisation incorrecte.

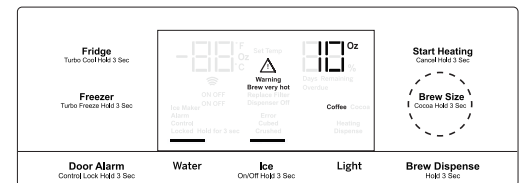
- 2** **Deux méthodes d'infusion**
1. Pressez le bouton **Start Heating** (Démarrer le chauffage).
OU
 2. Démarrez le chauffage à l'aide de l'application GE Kitchen. Téléchargez l'application « GE Kitchen ». Visitez www.GEAppliances.com/connect pour plus d'informations.**



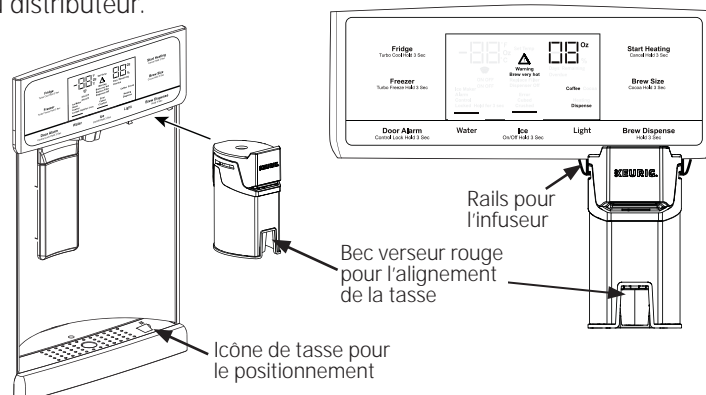
- 3** **Changer la quantité à infuser**
 Pressez le bouton **Brew Size** (Quantité à infuser) à n'importe quel moment pendant le cycle de chauffage pour choisir une quantité de 6, 8 ou 10 oz. La quantité par défaut est 8 oz. Assurez-vous que la tasse puisse contenir la quantité sélectionnée.

REMARQUE : Maintenez une pression sur le bouton **Brew Size** durant 3 secondes pour basculer entre Coffee (Café) et Cocoa (Cacao). Le réglage par défaut est **Coffee**.

REMARQUE : Pour annuler le cycle de chauffage, pressez et maintenez le bouton **Start Heating** pendant 3 secondes. Pour annuler le cycle de distribution de café, pressez et maintenez le bouton **Start Heating** enfoncé pendant 3 secondes, pressez sur le levier, pressez sur l'un des boutons de l'afficheur, autres que **Brew Size** ou **Brew Dispense**, ou ouvrez la porte du compartiment d'aliments frais droite.

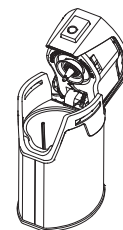


- 4** **Distribution**
 Une fois la phase de chauffage terminée, le voyant **Dispense** (Distribuer) clignotera sur l'affichage. Pour distribuer le breuvage, glissez l'infuseur sur les rails. Assurez-vous que l'infuseur est poussé à fond dans le support. Placez votre tasse sur l'icône du plateau d'égouttage qui représente une tasse, sous le bec verseur rouge. Maintenez une pression sur le bouton **Brew Dispense** (Distribuer le café) durant 3 secondes jusqu'à entendre l'enclenchement du distributeur.



Nettoyage de l'infuseur

- L'infuseur K-Cup va au lave-vaisselle sur le panier supérieur.
- Nous recommandons de rincer votre infuseur à fond après le lavage afin d'enlever tous les résidus de savon.
- Un nettoyage périodique de l'intérieur du distributeur est recommandé pour éviter les taches causées par l'utilisation des dosettes K-Cup.



*Certains modèles seulement **Pour les États-Unis et leurs territoires

Communication avec les électroménagers

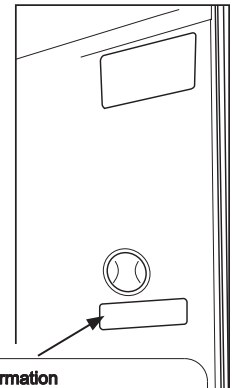
GE WiFi Connect (clients des États-Unis)

GE WiFi Connect Enabled (modèles PFE28P, PYE22P, PFH seulement)*

Si l'intérieur de votre réfrigérateur affiche une étiquette d'information intitulée Connected Appliance Information tel qu'illustré, vous pouvez alors le connecter à votre réseau WiFi et communiquer avec lui par téléphone intelligent à des fins de surveillance, de commande et de notification. Selon le modèle que vous possédez, votre réfrigérateur est doté soit d'une carte de communication WiFi intégrée, soit d'un port pour module externe WiFi ConnectPlus (vendu séparément).

Veuillez visiter [www.GEAppliances.com /connect](http://www.GEAppliances.com/connect) pour obtenir plus d'informations sur les fonctions de connexion pour électroménagers et les applications compatibles avec votre téléphone intelligent.**

Pour utiliser votre connexion WiFi, pressez Water et Light sur le panneau de commande.



Connected Appliance Information	
Contains FCCID: ZKJ-WCATA003	Network: GE_MODULE_XXXX
Contains IC: 10229A-WCATA003	Password: XXXXXXXXX
MAC ID: D8-28-C9-XXXXXXXX	PT. NO. 257C2110G001

*GE WiFi Connect en option**

Le module *GE ConnectPlus* livré avec votre réfrigérateur le rend compatible avec la technologie *GE WiFi Connect*. Pour la connexion à Internet, vous devez fixer le module par le port de communication de l'électroménager. Le module *GE ConnectPlus* vous permet de communiquer avec votre électroménager par téléphone intelligent à des fins de surveillance, de commande et de notification. Veuillez visiter [www.GEAppliances.com /connect](http://www.GEAppliances.com/connect) pour obtenir plus d'informations sur les fonctions de connexion pour électroménagers, les applications compatibles avec votre téléphone intelligent et les points de vente du module *GE ConnectPlus*.*

Connectivité WiFi : Pour obtenir de l'assistance concernant votre électroménager ou la connectivité en réseau *ConnectPlus* (pour modèles à fonctionnalité WiFi intégrée ou optionnelle), veuillez composer le **1-800-220-6899**.

RENSEIGNEMENTS RÉGLEMENTAIRES

Déclaration de conformité de la FCC/IC :

Cet appareil est conforme aux prescriptions de la partie 15 des règles de la FCC. Le fonctionnement de cet équipement est assujéti aux deux conditions suivantes :

1. Cet appareil ne doit pas causer de brouillage préjudiciable.
2. Cet appareil doit accepter tout brouillage qu'il reçoit, y compris celui pouvant entraîner un fonctionnement indésirable.

Cet équipement a été testé et déclaré conforme aux limites imposées pour un appareil numérique de Classe B, conformément à la partie 15 de la réglementation FCC. Ces limites sont définies afin d'assurer une protection raisonnable contre le brouillage nuisible dans une installation résidentielle. Cet équipement génère, utilise et émet des fréquences radio qui, en cas d'une installation erronée ou d'une utilisation non-conforme aux instructions de ce manuel d'utilisation peuvent causer un brouillage nuisible aux communications radio. Il n'y a cependant aucune garantie qu'un brouillage nuisible ne se produira pas dans une installation donnée. Si cet équipement cause un brouillage nuisible sur votre poste radio ou de télévision, ce que vous pouvez déterminer en éteignant et en rallumant votre équipement, il est conseillé à l'utilisateur d'essayer de pallier à ce brouillage nuisible en prenant l'une ou l'autre des mesures suivantes :

- Réorienter ou repositionner l'antenne de réception.
- Augmenter la distance entre l'équipement et le récepteur.
- Brancher l'équipement dans une prise d'un circuit qui diffère de celui auquel le récepteur est branché.
- Consulter le revendeur ou un technicien en radio-télévision pour obtenir de l'aide.

Étiquetage : Les modifications non explicitement approuvées par le fabricant peuvent annuler le droit de l'utilisateur de se servir de cet équipement.

Module ConnectPlus seulement (ou module de communication similaire)

Exposition aux radio-fréquences - Cet appareil n'est autorisé qu'à des fins d'application mobile. Une distance d'au moins 20 cm entre le module *ConnectPlus* et le corps de l'utilisateur doit être maintenue en tout temps.

*Modèles sélectionnés seulement **Pour les États-Unis et leurs territoires

A propos de la cartouche RPWFE du filtre à eau GE Appliances®.

Cartouche filtrante à eau

La cartouche filtrante à eau est située sur la paroi gauche de l'intérieur du compartiment réfrigérateur, dans le haut.

Certains modèles utilisent l'identification par radiofréquence (IRF) pour détecter les fuites et contrôler l'état du filtre. La technologie IRF est homologuée par la FCC.

FCCID: ZKJ-EBX1532P001 ICID: 10229A-EBX1532P001

« Cet appareil est conforme aux prescriptions de la partie 15 des règles de la FCC. Le fonctionnement de cet équipement est assujéti aux deux conditions suivantes : (1) Cet appareil ne doit pas causer de brouillage préjudiciable; et (2) cet appareil doit accepter tout brouillage qu'il reçoit, y compris celui pouvant entraîner un fonctionnement indésirable. »

« Cet appareil est conforme aux normes RSS d'Industrie Canada relatives aux dispositifs exempts de licence. Le fonctionnement de cet équipement est assujéti aux deux conditions suivantes : (1) Cet appareil ne doit pas causer de brouillage; et (2) cet appareil doit accepter tout brouillage, y compris celui pouvant entraîner un fonctionnement indésirable. »

A quel moment remplacer la cartouche filtrante

La cartouche filtrante doit être remplacée tous les 6 mois ou plus tôt si 644 litres (170 gallons) d'eau ont été distribués ou si le débit d'eau du distributeur ou de la machine à glaçons diminue.

Modèles à écran tactile : Un message d'état du filtre apparaîtra à l'écran lorsqu'il faudra remplacer le filtre à eau. L'état du filtre sera mis à jour dès le remplacement du filtre.

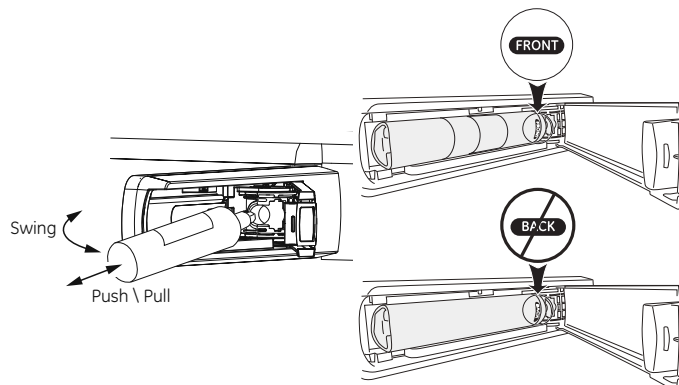
Modèles sans écran tactile : Un témoin lumineux s'allumera sur l'écran lorsqu'il faudra remplacer le filtre à eau.

Remplacement de la cartouche filtrante

Pour remplacer le filtre, retirer d'abord la cartouche usée en ouvrant le panneau d'accès du filtre puis tirer sur le bas de la cartouche pour permettre son pivotement vers l'extérieur. Lorsque la cartouche ne peut plus pivoter, tirer délicatement pour la dégager de son support. **NE PAS TORDRE LA CARTOUCHE.** Une petite quantité d'eau pourrait s'échapper.

Installation de la cartouche filtrante

1. Alignez le haut du filtre sur le support de la cartouche et poussez jusqu'à ce que la cartouche soit engagée à fond. La cartouche doit être introduite dans son support de façon que le mot **FRONT** (Avant) soit orienté vers l'extérieur, puis poussée fermement en place. **NE PAS TORDRE LA CARTOUCHE!**
2. Tout en s'assurant que la cartouche se trouve bien au fond de son support, pivoter délicatement la cartouche vers l'intérieur jusqu'en position. Si la cartouche ne pivote pas aisément, s'assurer qu'elle est correctement alignée et bien à fond dans son support.



3. Faites circuler 8 litres (2 gallons) d'eau dans le distributeur d'eau froide (environ 5 minutes) afin d'évacuer l'air du système. **De l'eau jaillira du distributeur suite à l'installation d'une nouvelle cartouche.** Utiliser une grande cruche ou une bouteille d'eau pour le sport pour recueillir le jet d'eau. **NE PAS** utiliser le distributeur d'eau chaude tant que l'air n'est pas totalement évacué du système.

4. Réinitialiser le message d'état du filtre (modèles sans écran tactile).



AVERTISSEMENT



Risque d'ébouillamment.*

L'utilisation du distributeur d'eau chaude avant l'évacuation de l'air du système peut provoquer un jaillissement d'eau très chaude causant des brûlures. Veiller à observer les instructions ci-dessus pour évacuer la totalité de l'air du système par le distributeur d'eau froide avant d'utiliser le distributeur d'eau chaude.

Nota : Il est normal d'apercevoir un changement de la couleur de l'eau lors de la purge initiale du système. La couleur de l'eau reviendra à la normale après quelques minutes d'écoulement.

Bouchon de dérivation du filtre

Pour réduire le risque de dommage à la propriété en raison de fuites d'eau, vous **DEVEZ** utiliser un bouchon de dérivation du filtre lorsqu'une cartouche filtrante de rechange n'est pas disponible. Le distributeur et la machine à glaçons ne fonctionneront pas sans que ne soient installés le filtre ou le bouchon de dérivation. Le bouchon de dérivation s'installe de la même manière que la cartouche filtrante.

*Certains modèles seulement



AVERTISSEMENT

Pour réduire le risque d'étouffement pendant l'installation de ce produit, ne pas laisser les petites pièces à la portée des enfants âgés de moins de 3 ans. La cartouche de filtre jetable doit être remplacée tous les 6 mois, si sa capacité nominale est atteinte ou si une réduction notable du débit est observée.

Pour les meilleurs résultats de votre système de filtration, GE Appliances recommande l'utilisation de filtres de marque GE Appliances seulement. L'utilisation de filtres de marque GE Appliances dans les réfrigérateurs GE Appliances et Hotpoint® procure les meilleurs rendement et fiabilité. Les filtres GE Appliances satisfont aux rigoureuses normes NSF de l'industrie relatives à la sûreté et la qualité, facteur important pour les produits qui filtrent votre eau. GE Appliances n'a pas évalué le rendement des filtres d'autres marques dans les réfrigérateurs GE Appliances et Hotpoint et il n'existe aucune assurance qu'ils satisferont les normes de qualité et de fiabilité GE Appliances.

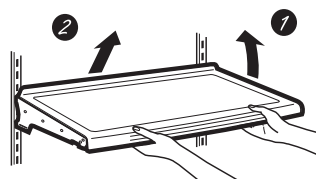
Pour toute question ou pour commander des cartouches filtrantes de rechange, visitez notre site Web au www.geappliance.ca, ou composez le 800.661.1616.

Les consommateurs du Canada doivent consulter les pages jaunes pour connaître le centre de service Camco le plus proche.

A propos du stockage des produits frais.

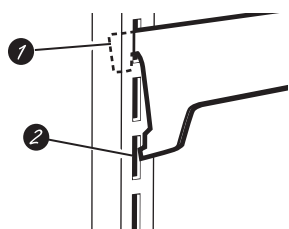
Réorganisation des clayettes

Les clayettes du réfrigérateur sont réglables.



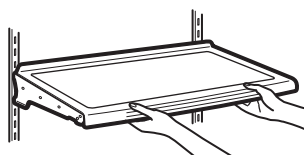
Pour les retirer :

- 1 Retirez tous les aliments de la clayette.
- 2 Soulevez l'avant de la clayette.
- 3 Soulevez l'arrière de la clayette et sortez-la du réfrigérateur.



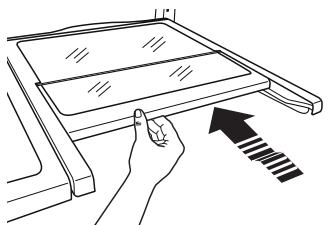
Pour le remettre en place :

- 1 Tout en inclinant la clayette, insérez le crochet supérieur à l'arrière de cette même clayette dans une fente du rail.
- 2 Abaissez l'avant de la clayette jusqu'à ce que le bas de celle-ci se positionne correctement.



Clayettes anti-déversement

Les clayettes anti-déversement ont des bords adaptés pour éviter que les déversements ne s'écoulent sur les clayettes inférieures.

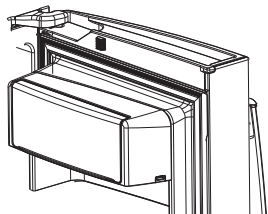


Clayette QuickSpace*

Cette clayette se partage en deux avec une partie qui s'escamote sous l'autre pour permettre le stockage des articles de grande taille posés sur la clayette inférieure.

Cette clayette peut être retirée et remplacée ou déplacée (tout comme les clayettes anti-déversement).

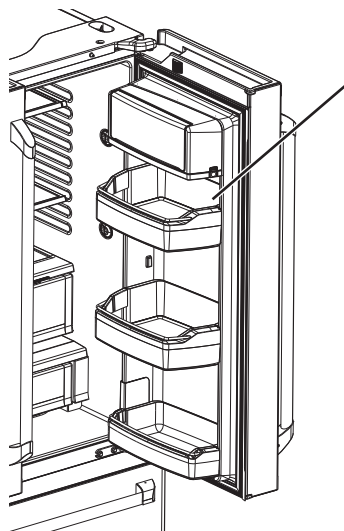
REMARQUE : La partie arrière de la clayette QuickSpace n'est pas réglable.



Bac à produits laitiers non réglable

Pour le retirer : Tirez le bac à produits laitiers vers le haut, puis retirez-le.

Pour le remettre en place : Engagez le bac dans les supports de porte moulés et poussez-le vers le bas. Le bac s'encastrent. Voir page 85.



Bacs de porte réglables

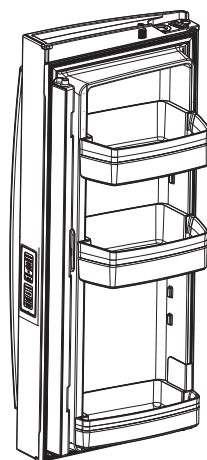
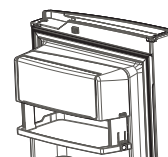
Les bacs réglables peuvent facilement être transportés du réfrigérateur à votre surface de travail.

Pour les retirer : Tirez le bac vers le haut, puis retirez-le.

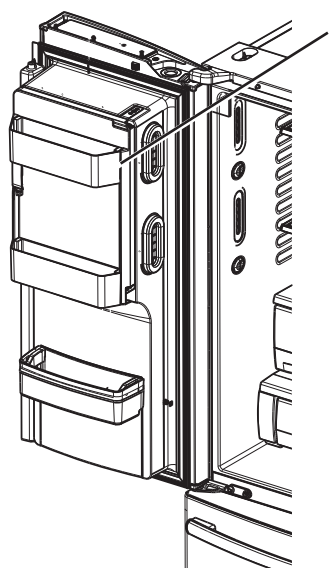
Pour les remettre ou pour les déplacer : Engagez le bac dans les supports de porte moulés et poussez-le vers le bas. Le bac s'encastrent. (Voir page 85).

Plateau rabattable* (bac ouvert)

1. Ouvrez la porte droite du compartiment de réfrigération.
2. Appuyez sur les deux boutons sur les côtés inférieurs du bac et celui-ci s'ouvrira.
3. Faites la manœuvre en sens inverse pour le réinstaller.



Modèles sans distributeur (Porte gauche)



Bacs de porte non réglables - (Modèles avec distributeur - Porte gauche)

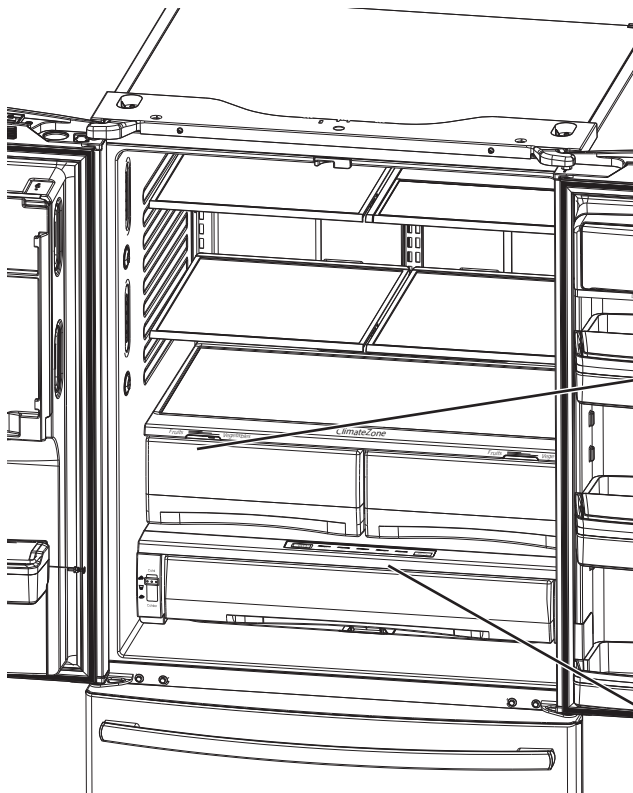
Pour les retirer : Tirez le bac vers le haut, puis retirez-le.

Pour les remettre en place : Engagez le bac dans les supports de porte moulés et poussez-le vers le bas. Le bac s'encastrent.

Les bacs de porte de la machine à glaçons ne sont pas interchangeables, notez leur emplacement lorsque vous les retirez afin de les remettre au bon endroit.

*Certains modèles seulement

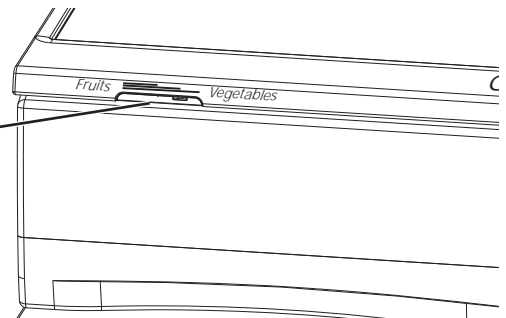
A propos de la zone climatisée & du tiroir à température contrôlée



Zone climatisée

Conservez les fruits et les légumes dans des compartiments séparés pour un accès facile.

Essuyez l'eau accumulée dans le fond ou en dessous des bacs.



Tiroir à température contrôlée *

Le tiroir à température contrôlée est un tiroir de pleine largeur équipé d'un contrôle de la température. Ce tiroir peut être utilisé pour les produits divers de grande taille.

Pour modifier les paramètres, appuyez sur bouton de sélection.

Remarque : Les températures indiquent les températures appropriées pour la conservation des aliments, les températures réelles peuvent varier en fonction de l'utilisation du réfrigérateur et d'autres facteurs tels que les ouvertures de portes et du réglage de la température selon les aliments.



32° 34° 36°

■ Risque de lacération.

Ne stockez pas les bouteilles en verre lorsque cette fonction est sélectionnée. Si de la glace se forme, les bouteilles peuvent se briser et causer des blessures corporelles.

*Certains modèles seulement

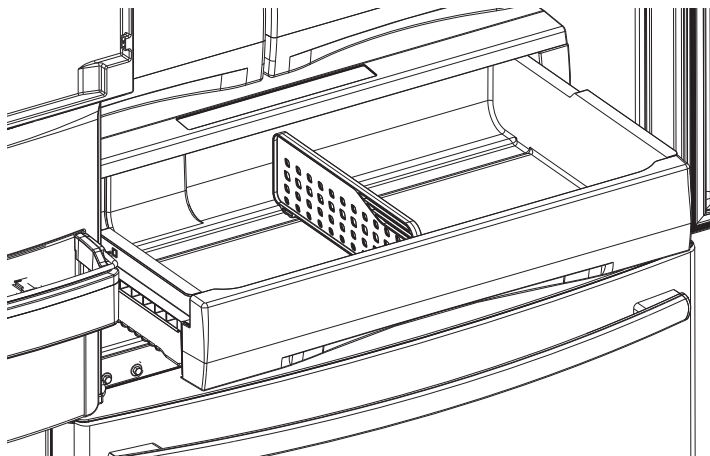
Retrait et remise en place du tiroir à charcuterie/à produits frais réglable

Pour le retirer :

- 1 Tirez le tiroir jusqu'à la butée.
- 2 Soulevez l'avant du tiroir puis faites le sortir en tirant.

Pour le remettre en place :

- 1 Tirez les glissières gauche et droite jusqu'à ce qu'elles soient complètement sorties.
- 2 Placez l'arrière du tiroir en premier, puis faites pivoter l'avant du tiroir vers le bas pour que celui-ci repose sur les glissières.
- 3 Poussez le tiroir jusqu'à sa position fermée.



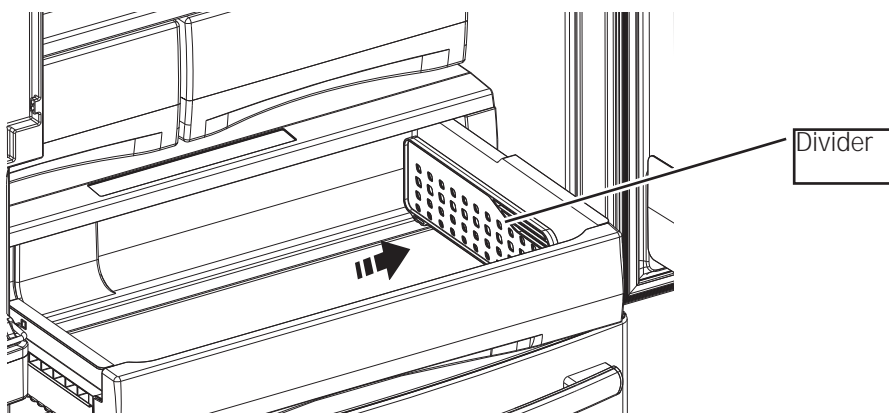
Comment retirer le séparateur du tiroir et le remettre en place*

Pour le retirer :

- 1 Tirez le tiroir jusqu'à la butée.
- 2 Soulevez le côté avant du séparateur pour le décrocher de la paroi arrière du tiroir.

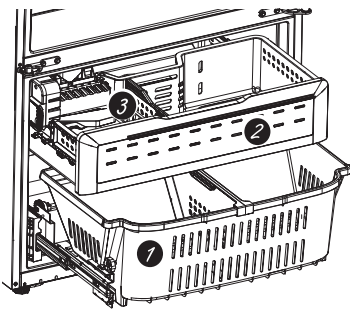
Pour le remettre en place :

- 1 Accrochez l'arrière du séparateur sur la paroi arrière du tiroir.
- 2 Poussez le séparateur vers le bas.



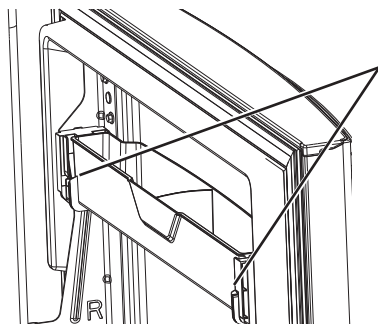
*Certains modèles seulement

À propos du congélateur.



Panier et tiroir du congélateur

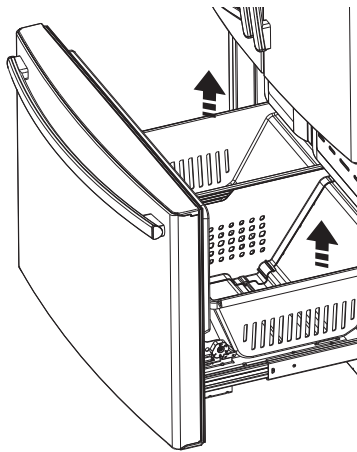
- 1 Panier.
- 2 Tiroir
- 3 Seau à glaçons * (Offert avec les modèles sans distributeur seulement. Offert en ensemble prêt-à-monter IM avec certains modèles)



Bac non réglable dans le congélateur*

Pour le retirer : Enfoncez la languette en plastique de chaque côté.

Pour le remettre en place : Faites glisser le bac dans la position souhaitée jusqu'à encastrement.



Retrait d'un panier

Pour le retirer, modèles à profondeur standard seulement :

- 1 Ouvrez la porte du congélateur jusqu'à la position d'arrêt.
- 2 Retirez le bac de la porte du congélateur en poussant la languette de plastique du côté droit ou gauche afin de libérer l'axe de charnière du bac.
- 3 Retirez le panier du congélateur en le soulevant à l'arrière et en le déplaçant vers l'arrière jusqu'à ce que l'avant du panier puisse pivoter vers le haut et sorti.
- 4 Soulevez-le pour le sortir du congélateur.

Pour le retirer, modèles à profondeur de comptoir seulement :

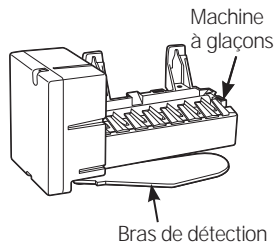
- 1 Ouvrez les portes de la section réfrigérateur.
- 2 Ouvrez la porte du congélateur jusqu'à la position d'arrêt.
- 3 Retirez le panier du congélateur en le soulevant à l'arrière et en le faisant pivoter vers le haut.
- 4 Soulevez-le pour le sortir du congélateur.

Pour le remettre en place :

Procéder en sens inverse pour remettre le bac en place.

*Certains modèles seulement

Il faut prévoir entre 12 et 24 heures avant qu'un réfrigérateur nouvellement installé commence à produire des glaçons.



Machine à glaçons automatique *

La machine à glaçons produit sept glaçons par cycle - environ 100-130 cycles par 24 heures, selon la température du compartiment de congélation, la température de la pièce, le nombre d'ouverture de porte et les autres conditions d'utilisation.

La machine à glaçons se remplit d'eau lorsque sa température atteint 15°F (-10°C). Il faut prévoir entre 12 et 24 heures avant qu'un réfrigérateur nouvellement installé commence à produire des glaçons.

Si le réfrigérateur est mis en marche avant que la machine à glaçons ne soit raccordée à l'alimentation en eau ou si l'alimentation en eau du réfrigérateur est fermée, assurez-vous que la machine à glaçons est éteinte. Une fois que l'eau a été raccordée au réfrigérateur, la machine à glaçons peut être mise en marche. Référez-vous au tableau ci-dessous pour de plus amples informations.

Vous entendrez un bourdonnement à chaque fois que la machine à glaçons se remplit d'eau.

Jetez les premiers bacs de glaçons pour bien nettoyer le conduit d'eau.

Vérifiez que rien n'interfère avec le déplacement du bras de détection.

Quand le bac se remplit jusqu'au niveau du bras de détection, la machine à glaçons s'arrête de produire des glaçons. Il est normal de trouver des glaçons qui soient soudés ensemble.

Si vous n'utilisez pas souvent vos glaçons, les vieux glaçons deviennent opaques, prennent un mauvais goût et rétrécissent.

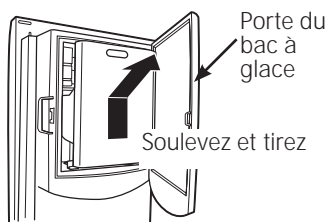
REMARQUE : Dans les maisons qui ont une pression d'eau plus faible que la moyenne, vous entendrez peut-être la machine à glaçons recommencer plusieurs fois son cycle pour produire un lot de glaçons.

AVERTISSEMENT

Pour minimiser les risques de blessures, évitez le contact avec les pièces mobiles du mécanisme éjecteur, ou avec l'élément chauffant qui libère les glaçons. Ne posez pas les doigts ou les mains sur le mécanisme de la machine à glaçons automatique pendant que le réfrigérateur est branché.

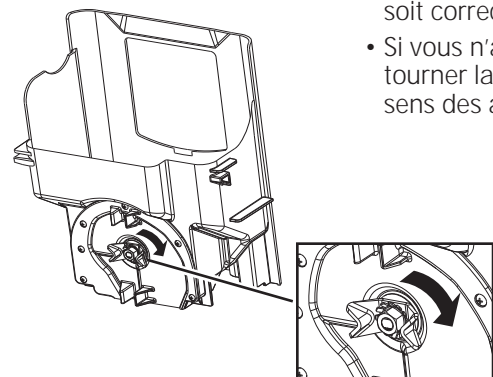
Comment allumer ou éteindre la machine à glaçons ?

Type d'affichage (voir page 57)	Numéro de modèle #	Comment allumer ou éteindre la machine à glaçons ?
Style de commandes A	PFE28P, PYE22P	Utilisez le bouton ICE sur la commande. Voir la section Commandes, pages 59 et 60..
Style de commandes B et C	PFH28, PFE28K, DFE28, GFE28, GFE26, PYE22K, DYE22K, GYE22	Utiliser le bouton « Machine à glaçons » Utiliser le bouton « Machine à glaçons » Voir la section Commandes, pages 59 et 60.
Style de commandes D	GNE29, PWE23	Utiliser le bouton « Machine à glaçons » Utiliser le bouton « Machine à glaçons » Voir la section Commandes, pages 59 et 60.



Seau à glaçons et distributeur*

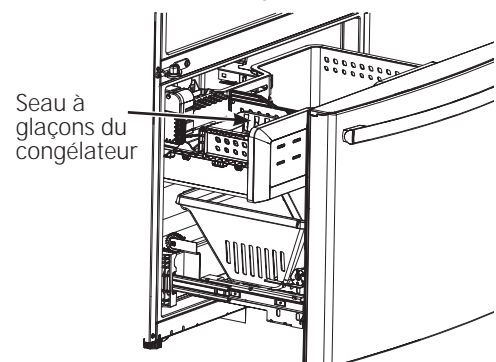
- Ouvrez la porte du bac à glace à l'intérieur de la porte de gauche.
- Tirez le seau à glaçons vers le haut dans la porte de gauche pour le sortir du compartiment.
- Pour remettre le seau à glace, placez-le sur les guides et enfoncez-le jusqu'à ce qu'il soit correctement en place.
- Si vous n'arrivez pas à le remettre, faites tourner la fourche d'1/4 de tour dans le sens des aiguilles d'une montre.



Machine à glaçons (Offerte avec les modèles sans distributeur, aussi offerte en ensemble prêt-à-porter IM avec certains modèles)

Un bac de stockage supplémentaire est fourni dans le tiroir de congélation.

- Ouvrez le tiroir de congélation.
- Le seau à glaçons est situé sur le côté gauche sous panier supérieur.
- Tirez le panier supérieur vers vous pour enlever le seau à glaçons.



*Certains modèles seulement

Nettoyage de l'extérieur

Panneaux, poignées de porte et garniture en acier inoxydable. Vous pouvez nettoyer les portes et les poignées de porte en acier inoxydable (sur certains modèles) avec un nettoyant d'acier inoxydable vendu sur le marché. Les nettoyants qui contiennent de l'acide oxalique, tels que Bar Keepers Friend Soft Cleanser™, éliminent la rouille de surface, le ternissement et les petites taches. Utilisez uniquement un nettoyant liquide exempt d'abrasif et frottez dans la direction des lignes de brosse à l'aide d'une éponge souple imbibée. N'utilisez pas de cire pour appareils ménagers sur l'acier inoxydable.

Pièces en plastique argenté.

Lavez ces pièces avec du savon ou un autre détergent doux. Essayez ensuite avec une éponge, un linge humide ou de l'essuie-tout. N'utilisez pas de tampons à récureur, de produits nettoyants en poudre, de javellisants ou de produits contenant du javellisant sous peine de rayer la finition et de la rendre moins résistante. Ne lavez pas le plateau au lave-vaisselle.

Si vous avez besoin de nettoyer le plateau de collecte des gouttes, utilisez un produit détartrant.

Nettoyage de l'intérieur

Pour prévenir les odeurs, laissez ouverte une boîte de bicarbonate de soude dans les compartiments réfrigérateur et congélateur.

Débranchez l'appareil avant de le nettoyer.

S'il est trop difficile de débrancher l'appareil, essorez bien votre chiffon ou votre éponge pour enlever l'excès d'eau lorsque vous nettoyez autour des interrupteurs, des lampes ou des commandes. Utilisez une cire pour appareil ménager sur la surface intérieure entre les portes. Utilisez une solution d'eau tiède et de bicarbonate de soude (environ une cuillère à soupe (15 ml) de bicarbonate de soude dans un litre d'eau) afin de nettoyer tout en neutralisant les odeurs. Rincez et séchez.



Ne nettoyez pas les clayettes ou les couvercles en verre avec de l'eau tiède quand ceux-ci sont froids. Les clayettes et couvercles en verre peuvent se casser s'ils sont exposés à des changements soudains de température ou si vous les cognez ou les faites tomber. Le verre trempé est conçu pour se briser en petits morceaux en cas de casse.

Ne lavez aucune pièce en plastique du réfrigérateur au lave-vaisselle.

Derrière le réfrigérateur

Soyez prudent lorsque vous éloignez votre réfrigérateur du mur. Tous les types de revêtements de sol peuvent être endommagés, en particulier les revêtements matelassés et ceux dont la surface est gaufrée.

Relevez les pieds de mise à niveau situés sur la partie inférieure avant du réfrigérateur.

Tirez le réfrigérateur en ligne droite et lorsque vous le remettez en place, poussez-le vers le mur en ligne droite.

Les déplacements latéraux du réfrigérateur pourraient endommager le revêtement de sol ou le réfrigérateur.

Abaissez les pieds de mise à niveau jusqu'à ce qu'ils touchent le sol.

Lorsque vous remettez le réfrigérateur en place en le poussant, veillez à ne pas le faire rouler sur le cordon d'alimentation.

Départ en vacances

Encas d'absences ou de vacances prolongées, retirez tous les aliments du réfrigérateur et débranchez-le. Nettoyez l'intérieur avec une solution de bicarbonate de soude (environ une cuillère à soupe (15 ml) de bicarbonate de soude dans un litre d'eau). Laissez les portes ouvertes.

Dans le cas où la température pourrait descendre en dessous de zéro, demandez à un technicien qualifié de vidanger le système d'alimentation en eau pour éviter les dégâts des eaux.

- 1) Éteignez ou débranchez le réfrigérateur (p. 59).
- 2) Videz le seau à glaçons.
- 3) Fermez l'arrivée d'eau

Si vous fermez l'alimentation en eau, éteignez la machine à glaçons (p. 70).

Retour de vacances :

- 1) Remettez le filtre à eau.
- 2) Faites passer 2 gallons (7,5 litres) d'eau dans le distributeur d'eau froide (pendant environ 5 minutes) pour purger le système.

Déménagement

Immobilisez toutes les pièces amovibles, telles que les clayettes et les bacs, à l'aide de ruban gommé pour éviter de les endommager.

Lorsque vous utilisez un diable pour déplacer le réfrigérateur, ne faites pas reposer le devant ou l'arrière du réfrigérateur contre le

diable, sous peine d'endommager votre réfrigérateur.

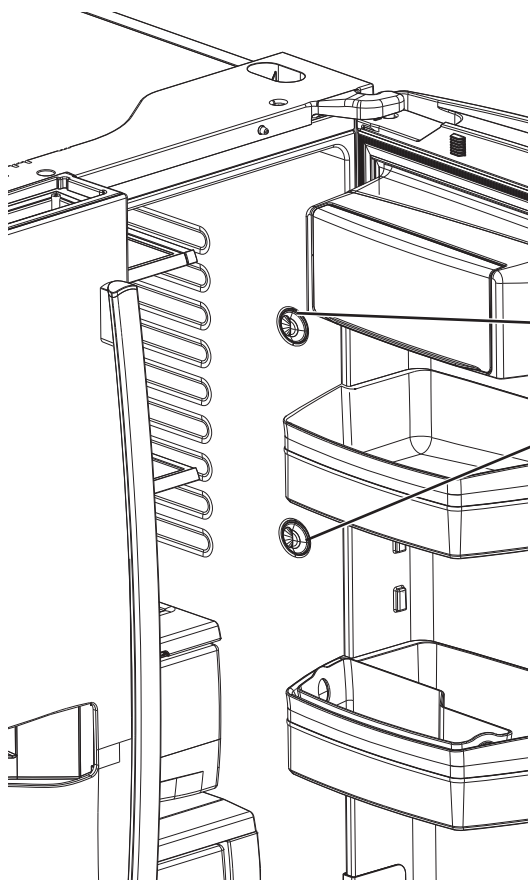
Ne le manipulez que par les côtés.

Assurez-vous que le réfrigérateur reste en position verticale pendant son déménagement.

Remplacement des ampoules

Ampoules du réfrigérateur (DEL)

L'aspect peut varier selon le modèle.



Le compartiment de réfrigération est équipé d'un éclairage à DEL. De plus, le bas de la porte du compartiment réfrigérateur est également équipé de DEL pour éclairer le compartiment de congélation.*

Le remplacement des ampoules à DEL doit être effectué par un technicien autorisé.

Si cet ensemble doit être remplacé, contactez le service GE Appliances au 1.800.432.2737 aux États-Unis ou au 1.800.561.3344 au Canada.

*Certains modèles seulement

Instructions d'installation


Réfrigérateur

Modèles GE and GE Profile™

Des Questions ? Appelez 800.GE.CARES (800.432.2737) ou consultez notre site internet : GEAppliances.com
Au Canada, appelez le 1.800.561.3344 ou consultez notre site internet : electromenagersge.ca

AVANT DE COMMENCER

Lisez ces instructions entièrement et attentivement.

AVERTISSEMENT  **Risque de basculement**
Les modèles encastrés (modèles PYE, GYE, DYE, CYE, CWE, PWE, et ZWE) sont plus lourds au niveau de leur partie supérieure, surtout avec les portes ouvertes. Ces modèles doivent être fixés à l'aide du système anti-basculement par fixation au sol pour éviter que l'appareil ne bascule vers l'avant, ce qui pourrait entraîner des blessures graves, voire mortelles. Lisez et suivez les instructions d'installation complètes pour l'installation du système anti-basculement par fixation au sol livré avec votre réfrigérateur.

- **IMPORTANT** – Respectez tous les codes et règlements en vigueur. Conservez ces instructions pour l'inspecteur local.
- **Remarque pour l'Installateur** – Assurez-vous de remettre ces instructions à l'utilisateur.
- **Remarque pour l'utilisateur** – Conservez ces instructions pour toute référence future.
- **Niveau de compétence** – L'installation de cet appareil demande des connaissances de base en mécanique.
- **Délai d'exécution** – Variable pour l'installation du réfrigérateur
30 minutes pour l'installation de l'alimentation en eau
- L'installateur est responsable de l'installation correcte de l'appareil.
- La panne de l'appareil due à une mauvaise installation n'est pas couverte par la garantie.

PRÉPARATION

DÉPLACEMENT DU RÉFRIGÉRATEUR À L'INTÉRIEUR DE LA MAISON

Si le réfrigérateur ne peut pas passer par la porte, vous pouvez enlever la porte du compartiment de réfrigération et le tiroir du compartiment de congélation.

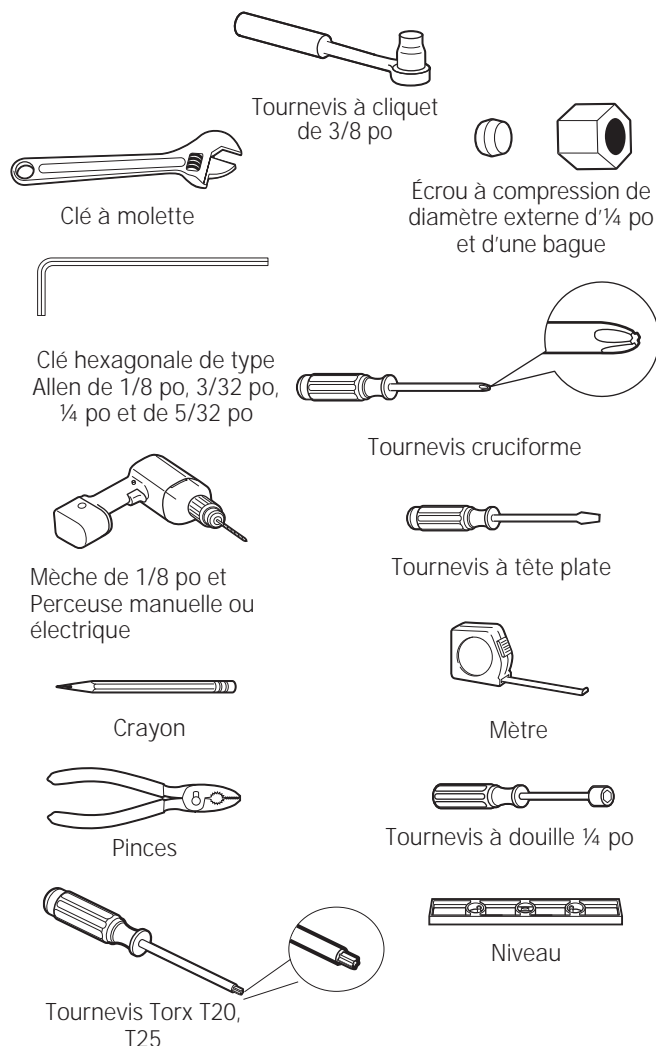
- Pour enlever la porte du compartiment de réfrigération, consultez la section « Installation du réfrigérateur »
- Pour enlever la porte du compartiment de congélation, consultez la section « Retrait du tiroir de congélation ».

PRÉPARATION (suite)

ALIMENTATION EN EAU DE LA MACHINE À GLAÇONS ET DU DISTRIBUTEUR

Si le réfrigérateur est équipé d'une machine à glaçons, il devra être branché à une alimentation en eau froide. Vous pouvez vous procurer une trousse GE Appliances de branchement à l'alimentation d'eau (contenant tuyau, robinet, raccords et instructions) auprès de votre fournisseur, en consultant notre site internet GEAppliances.com (au Canada par le site GEAppliances.ca), ou au Centre de Pièces Détachées et d'Accessoires, au 800.626.2002 (au Canada, 1.800.661.1616).

OUTILLAGE DONT VOUS POUVEZ AVOIR BESOIN

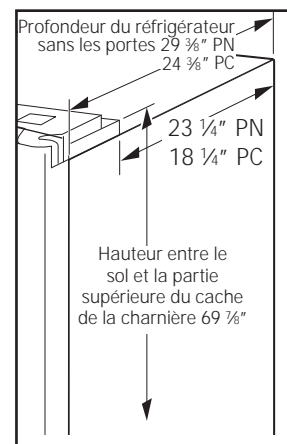
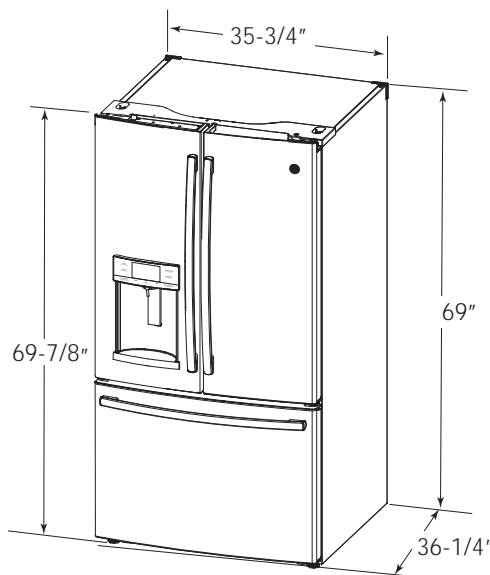
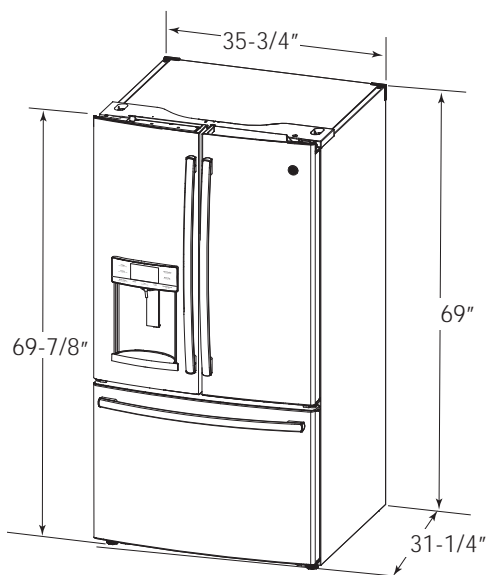


Instructions d'installation

DIMENSIONS

Toutes les mesures sont données avec les pieds de mise à niveau escamotés.

Modèle profondeur du comptoir (PC) seulement Modèle profondeur normale (PN) seulement



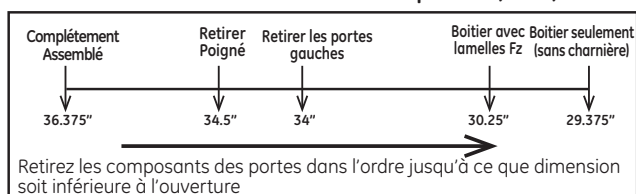
Dimensions supplémentaires

	PN	PC
Hauteur hors tout du haut du cache de la charnière	69 ⁷ / ₈ "	69 ⁷ / ₈ "
Hauteur du haut du réfrigérateur	69"	69"
Profondeur du réfrigérateur sans les portes	29 ³ / ₈ "	24 ³ / ₈ "
Largeur hors tout du réfrigérateur	35 ³ / ₄ "	35 ³ / ₄ "
Profondeur hors tout du réfrigérateur avec les portes et les tiroirs équipés de leurs poignées	36 ¹ / ₄ "	31 ¹ / ₄ "

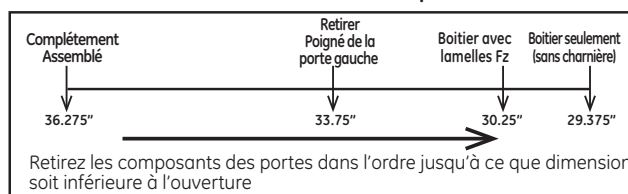
DÉPLACEMENT DU RÉFRIGÉRATEUR

- En utilisant le tableau ci-dessous, déterminez si la largeur de votre couloir et embrasures de porte peuvent accommoder la profondeur du réfrigérateur. Assurez-vous d'avoir assez d'espace pour éviter d'endommager le réfrigérateur avant de le déplacer en toute sécurité vers son emplacement final.
- Si votre couloir et embrasures de porte sont assez large pour laisser passer le réfrigérateur sans enlever les poignées, passez directement à l'étape 6. Laissez les bandes adhésives, le film et tous les emballages sur les portes jusqu'à ce que le réfrigérateur soit dans sa position finale.
- REMARQUE :** Utilisez un diable rembourré ou des sangles de déménagement pour déplacer ce réfrigérateur. Placez le réfrigérateur sur le diable en appuyant un des côtés contre le diable. Il est fortement recommandé que DEUX PERSONNES déplacent le réfrigérateur et effectuent cette installation.

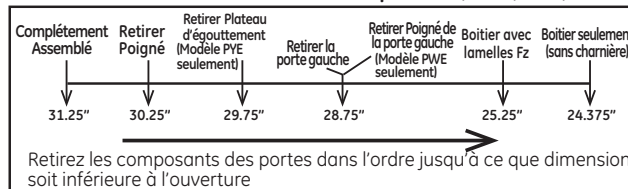
Si votre numéro de modèle commence par PFE, GFE, DFE (PN)



Si votre numéro de modèle commence par GNE (PN)



Si votre numéro de modèle commence par DYE, GYE, PYE, PWE (PC)



Instructions d'installation

INSTALLATION DU RÉFRIGÉRATEUR

EMPLACEMENT DU RÉFRIGÉRATEUR

- N'installez pas le réfrigérateur dans une pièce où les températures descendent en-dessous de 60°F (16°C) parce qu'il serait difficile d'y maintenir une température correcte.
- N'installez pas le réfrigérateur dans un endroit où la température ambiante sera supérieure à 37°C, il ne fonctionnera pas correctement.
- N'installez pas le réfrigérateur dans un endroit exposé à l'eau (pluie, etc.) ou directement aux rayons solaires.
- Il doit être installé sur une surface suffisamment solide pour supporter le poids d'un réfrigérateur rempli.

DÉGAGEMENTS

Prévoyez les dégagements suivants pour faciliter l'installation, la circulation d'air et les raccordements hydrauliques et électriques.

Côtés	1/8 po (3 mm)
Dessus	1 po (25mm) corps du réfrigérateur/ cache de charnière
Arrière	2 po (50 mm)

RETRAIT DES PORTES DU RÉFRIGÉRATEUR

- **REMARQUE IMPORTANTE** : La profondeur de ce réfrigérateur est de 36 ¼ po (31 ¼ po pour les modèles PC). Les portes et les passages qui mènent à l'emplacement d'installation doivent avoir une largeur d'au moins 36 ¼ po si vous souhaitez les portes et les poignées sur le réfrigérateur lors de son déplacement. Si la largeur des passages est inférieure à 36 ¼ po, les portes et les poignées du réfrigérateur peuvent être facilement rayées et endommagées. Le cache supérieur et les portes peuvent être retirés pour permettre de déplacer le réfrigérateur à l'intérieur en toute sécurité. Si la largeur des passages est inférieure à 31 ¼ po, commencez par l'étape 1.
- S'il n'est pas nécessaire de retirer les portes, passez directement à l'étape 11. Laissez les bandes adhésives et tous les emballages sur les portes jusqu'à ce que le réfrigérateur soit dans sa position finale.
- **REMARQUE** : Utilisez un diable rembourré pour déplacer ce réfrigérateur. Placez le réfrigérateur sur le diable en appuyant un des côtés contre le diable. Il est fortement recommandé que DEUX PERSONNES déplacent le réfrigérateur et effectuent cette installation.

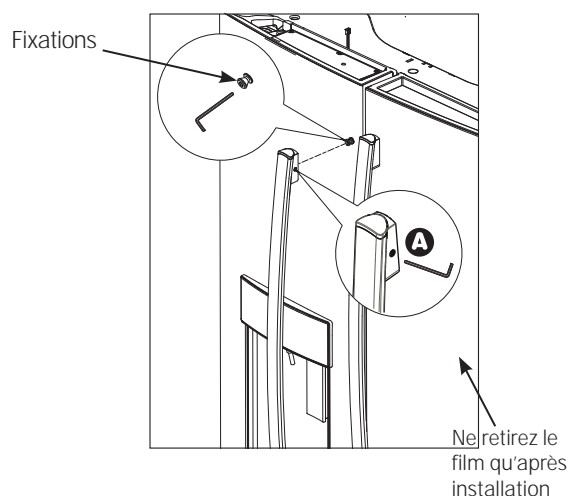
1 RETRAIT DES POIGNÉES DE PORTE DU COMPARTIMENT DE RÉFRIGÉRATION

La conception des poignées varie en fonction des modèles, mais l'installation reste la même.

Poignées en acier inoxydable et en plastique :

- Ⓐ Desserrez les vis de réglage avec la clé Allen d'1/8 po et retirez la poignée.

REMARQUE : Si les fixations de la poignée ont besoin d'être resserrées ou enlevées, utilisez une clé Allen d'1/4 po.



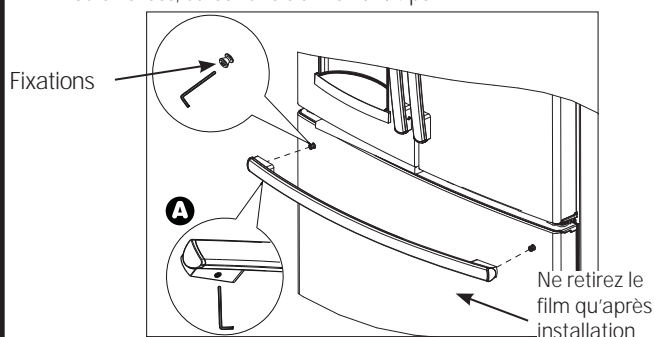
2 RETRAIT DES POIGNÉES DE PORTE DU COMPARTIMENT DE CONGÉLATION

La conception des poignées varie en fonction des modèles, mais l'installation reste la même.

Poignées en acier inoxydable et en plastique :

- Ⓐ Desserrez les vis de réglage avec la clé Allen d'1/8 po et retirez la poignée.

REMARQUE : Si les fixations de la poignée ont besoin d'être resserrées ou enlevées, utilisez une clé Allen d'1/4 po.



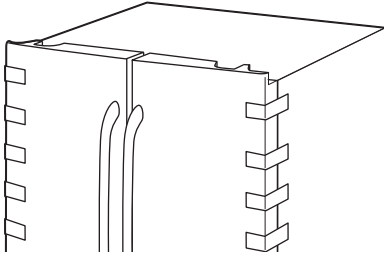
Réinstallez les poignées en utilisant la même procédure que pour les retirer.

Instructions d'installation

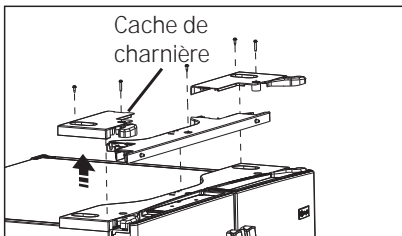
INSTALLATION DU RÉFRIGÉRATEUR (suite)

3 RETRAIT DES PORTES DU RÉFRIGÉRATEUR

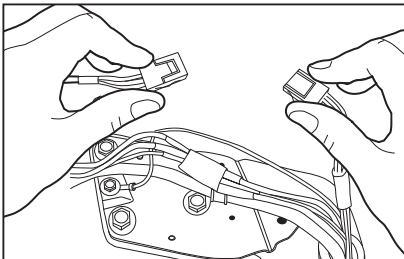
- A** Maintenez la porte bien fermée à l'aide de ruban-cache ou demandez à une deuxième personne de maintenir la porte.



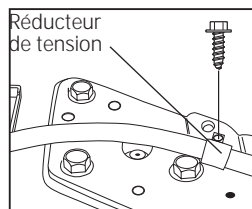
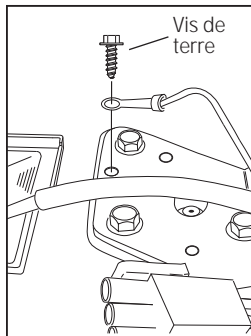
- B** Commencez par la porte de gauche : Retirez le cache de la charnière supérieure de la porte gauche du réfrigérateur en retirant les vis cruciformes et en tirant vers le haut. Faites de même pour la porte de droite et le cache central.



- C** Débranchez les deux connecteurs électriques au niveau du cache supérieur.

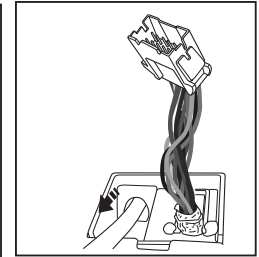
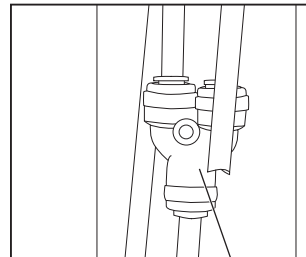


Retirez la vis à tête hexagonale de 1/4 po pour débrancher le fil de masse de la charnière. Retirez la vis à tête hexagonale de 1/4 po pour débrancher réducteur de tension du tuyau d'alimentation en eau.



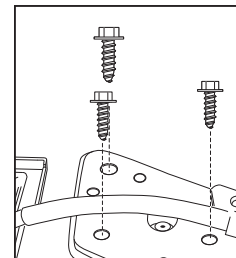
RETRAIT DES PORTES DU RÉFRIGÉRATEUR (suite)

- D** Débranchez l'alimentation en eau à l'arrière de l'appareil en appuyant sur le collier gris foncé tout en tirant le tuyau d'alimentation en eau vers le haut. Faites passer le tuyau d'alimentation en eau à travers le passage prévu à cet effet pour libérer le tuyau avant de retirer la porte. La longueur du tuyau d'alimentation en eau est supérieure à 4 pi. Celui-ci doit être fixé à l'aide de ruban adhésif à la porte pour y accéder facilement lors de la réinstallation de la porte



Connexion en Y ou droite

- E** A l'aide d'un tournevis à cliquet de 3/8 po, retirez les vis de fixation de la charnière supérieure au corps du réfrigérateur, puis soulevez la charnière vers le haut pour dégager l'axe de la charnière de son emplacement dans le haut de la porte.



ATTENTION Risque lors du levage de charge

Une seule personne soulevant ces charges pourrait se blesser. Demandez l'aide d'une autre personne pour manipuler, déplacer ou lever les portes du réfrigérateur.

Remarque : lorsque vous retirez la porte, pour éviter d'endommager celle-ci ainsi que les composants électroniques qu'elle contient, placez-la soigneusement dans un endroit approprié.

Remarque : La charnière inférieure et son axe sont numérotés. Ils doivent donc être associés pour que la porte se ferme correctement de façon automatique. Veuillez suivre les instructions scrupuleusement.

Instructions d'installation

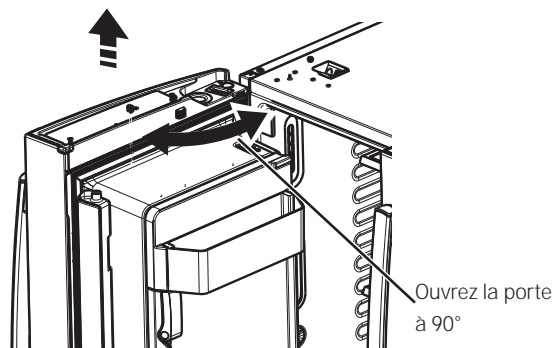
INSTALLATION DU RÉFRIGÉRATEUR (suite)

RETRAIT DES PORTES DU RÉFRIGÉRATEUR (suite)

Remarque : pour que l'installation se fasse correctement plus tard, veuillez suivre attentivement la prochaine étape.

- F** Retirez le ruban et maintenez la porte aussi droite que possible, ouvrez la porte à 90° puis soulevez-la en ligne droite pour la dégager.

Soulevez et retirez la charnière centrale

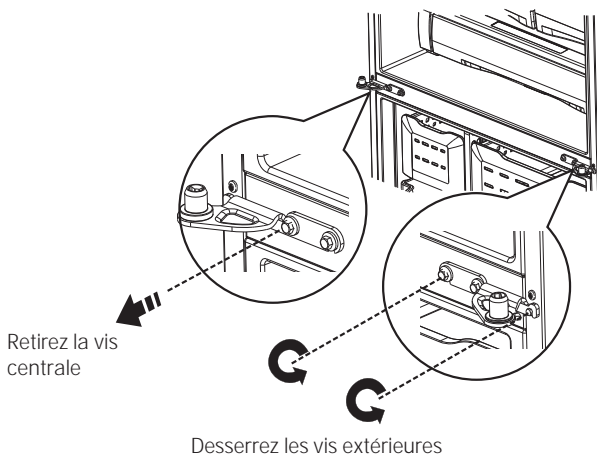


RETRAIT DE LA PORTE OPPOSÉE

Effectuez la même procédure sur la porte du côté opposé. Il n'y a pas de câbles ou de tuyau d'alimentation en eau sur la porte du côté opposé.

4 RETRAIT DE LA CHARNIÈRE CENTRALE (si nécessaire)

Retirez les vis de 3/8 po maintenant la charnière centrale au corps du réfrigérateur. Utilisez le tournevis T20 pour retirer la vis extérieure.

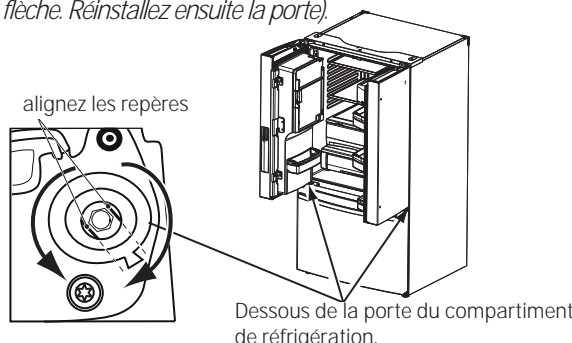


5 REINSTALLATION DES PORTES DU RÉFRIGÉRATEUR

- A** Inversez en sens inverse, étapes 4 à 1, pour réinstaller les portes du réfrigérateur. Suivez les instructions suivantes pour les alignements critiques.

- B** Réinstallez la charnière centrale d'abord, puis serrez les vis à un couple de 65 po-lb. Avec la porte gauche à 90° par rapport à la façade du réfrigérateur, abaissez la porte du réfrigérateur sur la charnière centrale. Assurez-vous que la porte et la charnière s'alignent correctement.

Fermez les portes et assurez-vous que la partie mobile d'étanchéité de la porte soit alignée avec la gâche. *Si la porte ne se ferme pas automatiquement après la réinstallation, retirez la porte, retournez-la, vérifiez le repère d'alignement et la flèche (il y a un repère d'alignement sur le mécanisme de fermeture de la porte. Celui-ci correspond à un repère d'alignement sur le cache inférieur. Faites pivoter le mécanisme de fermeture de la porte pour aligner le repère et la flèche. Réinstallez ensuite la porte).*



Si la porte ne peut pas être installée à 90°, suivez les étapes ci-dessous :

1. Installer la porte à 180° du devant du boîtier.
2. Si l'espace disponible ou le modèle limite l'ouverture de la porte à moins de 180°, alors :
 - a) Enlevez la porte, retournez-la doucement.
 - b) Vérifier l'alignement de l'axe du mécanisme de fermeture de la porte sur le dessous de la porte. Les parties planes sur l'axe correspondent au repère d'alignement sur l'anneau en plastique ou au repère sur le cache inférieur
 - c) Si l'axe n'est pas aligné sur le repère, à l'aide d'une clé Allen de 5/32 po, faites pivoter l'axe du mécanisme de fermeture de la porte dans le sens inverse des aiguilles d'une montre pour la porte droite, et dans le sens des aiguilles d'une montre pour la porte gauche. Ensuite, alignez les parties planes avec le repère.
 - d) Installez la porte à 90°.

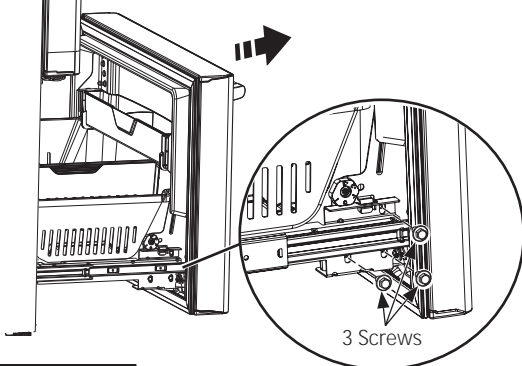
Maintenez la porte bien fermée à l'aide de ruban-cache ou demandez à une deuxième personne de maintenir la porte. Réinstallez la charnière supérieure d'abord, puis serrez les vis à un couple de 65 po-lb.

- C** Assurez-vous d'avoir remis le fil de terre et le réducteur de tension au niveau de la charnière supérieure.
- D** Réinstallez le cache de la charnière. **Remarque :** Assurez-vous que les fils ne sont pas pincés ou sous des emplacements de vis avant de serrer ces dernières.

Instructions d'installation

6 RETRAIT DE LA PORTE DU CONGÉLATEUR

- A** Tirez sur la porte du congélateur jusqu'à ce qu'elle soit complètement ouverte.
- B** Retirez les 3 vis de fixation, situées au bas de chaque côté de la porte du congélateur en utilisant le tournevis à cliquet hexagonal de 3/8 po.

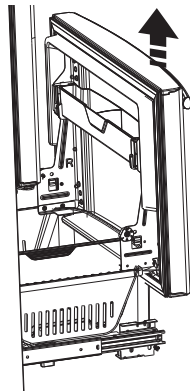


ATTENTION Risque lors du levage de charge

La porte du congélateur est lourde. Utilisez les deux mains pour maintenir la porte avant de la soulever.

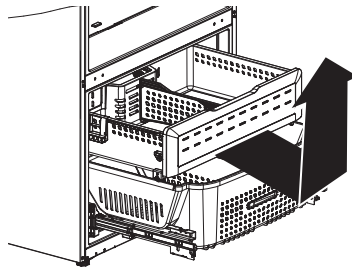
- C** Soulevez la porte du congélateur et placez-la sur le mécanisme à glissières.

La porte peut reposer en toute sécurité sur le fond. Ne posez pas la porte sur toute autre surface pour éviter les rayures, scratches.



7 RETRAIT DU PANIER DU CONGÉLATEUR

- A** Tirez le panier inférieur et glissez le mécanisme à glissières jusqu'au bout avec les deux mains.
- B** Retirez le tiroir supérieur du congélateur en le tirant jusqu'au bout, puis soulevez-le et tirez-le vers l'extérieur.
- C** Retirez le panier qui repose sur les glissières.
- D** Repoussez les glissières du panier inférieur jusqu'à ce que le mécanisme se rétracte de lui-même.

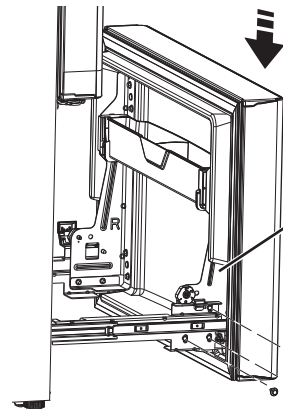


8 REINSTALLATION DE LA PORTE DU CONGÉLATEUR

ATTENTION Risque lors du levage de charge

La porte du congélateur est lourde. Utilisez les deux mains pour maintenir la porte avant de la soulever.

- A** Tirez le mécanisme à glissières du panier inférieur jusqu'au bout avec les deux mains.
- B** Soulevez la porte du congélateur et alignez les languettes des côtés du support de porte sur les orifices carrés des mécanismes à glissières.



Alignez et insérez la languette du support de porte du congélateur dans la fente du support des glissières.

REMARQUE :
Placez un côté en premier puis alignez l'autre côté.

- C** Replacez les vis de fixation et serrez au couple de 65 lb-po.
- D** Pour ajuster le jeu de la porte du congélateur, suivez les instructions de la page 80 ou celles du manuel de l'utilisateur.
- E** Replacez le panier sur les supports des glissières et assurez-vous que la porte du congélateur s'ouvre et se ferme librement.

Instructions d'installation

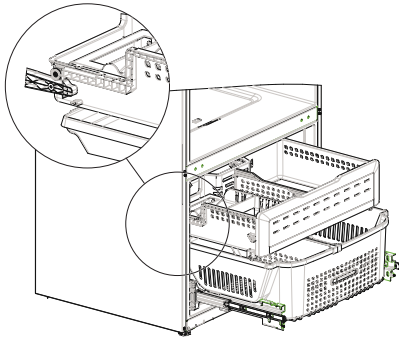
8 RÉINSTALLATION DU TIROIR DU CONGÉLATEUR

A Réinstallez le tiroir du congélateur en plaçant ses roulettes sur le dessus du rail monté sur le côté des parois du congélateur. Les roulettes du tiroir doivent se trouver sur le dessus des côtés du panier inférieur.

MODÈLES ÉQUIPÉS D'UNE MACHINE À GLAÇONS DANS LE CONGÉLATEUR : Placez le seau à glace dans le tiroir et poussez celui-ci dans le congélateur, devant du seau vers le devant du panier.

Assurez-vous que :

- le seau à glace ne percute pas le bras de la machine à glaçons et que le tiroir du congélateur se rétracte complètement dans le compartiment congélateur;
- le tube de remplissage se prolonge dans l'ouverture du godet de remplissage à l'arrière de la machine à glaçons.



Instructions d'installation

Instructions concernant l'ajustement des écarts de la porte du congélateur :

IMPORTANT!

Les 6 vis de montage (3 de chaque côté) ne sont PAS interchangeables avec les vis de la charnière centrale ou supérieure. Après l'installation de la porte du congélateur, vérifiez que les écarts sont uniformes (le haut et le bas des côtés gauche et droit) à l'aide du gabarit fourni.

Si des écarts trop importants sont observés, suivez les étapes suivantes pour ajuster la porte du congélateur.

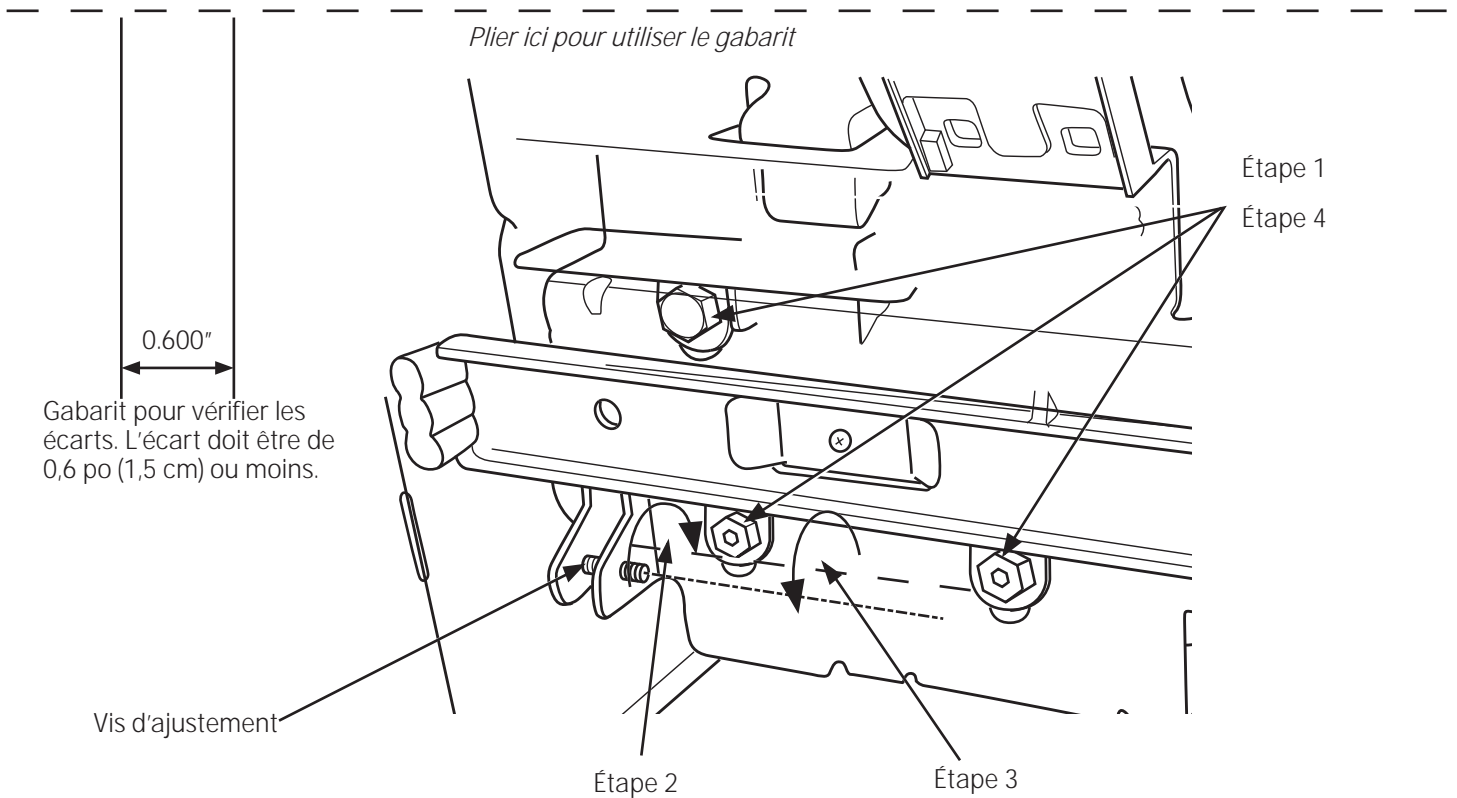
Étape 1 - Desserrez les 3 vis de chaque côté (droit et gauche) de la porte du congélateur.

Étape 2 - Tournez la vis d'ajustement dans le sens des aiguilles si l'écart dans le haut est trop important (voir le gabarit). À l'aide d'une clé hexagonale de 3/32 po, tournez la vis d'ajustement dans le sens des aiguilles sur un quart à un demi-tour.

Étape 3 - Tournez la vis d'ajustement dans le sens contraire des aiguilles si l'écart dans le bas est trop important (voir le gabarit). À l'aide d'une clé hexagonale de 3/32 po, tournez la vis d'ajustement dans le sens contraire des aiguilles sur un quart à un demi-tour.

Étape 4 - Serrez les 3 vis de chaque côté (droit et gauche).

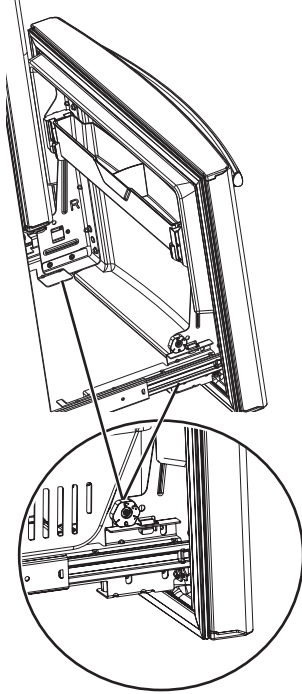
Étape 5 - Vérifiez les écarts de nouveau à l'aide du gabarit et répétez les étapes 1 à 4 s'il y a lieu et terminez par l'étape 5.



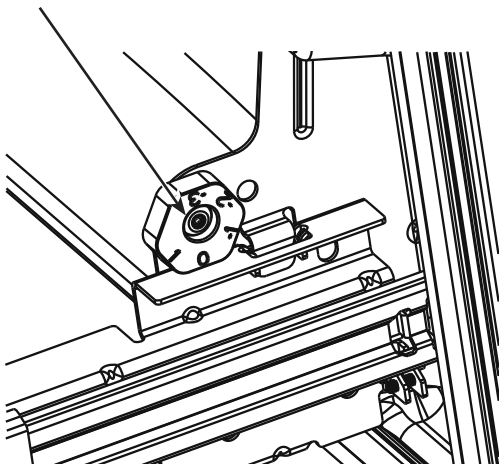
Instructions d'installation

INSTALLATION DU RÉFRIGÉRATEUR (suite)

8 MISE À NIVEAU DE LA PORTE DU CONGÉLATEUR

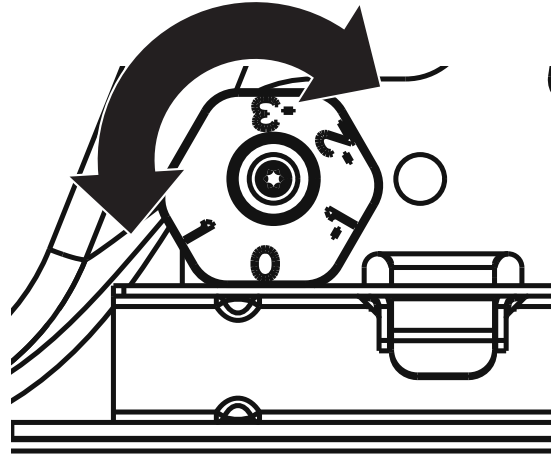


- A** Localisez la came de réglage de la hauteur dans la porte du congélateur. Desserrez les trois vis de fixation de la porte sur les deux glissières à l'aide d'un tournevis à cliquet hexagonal de 3/8 po.
- B** Localisez et desserrez la vis à came en utilisant le tournevis T-27.



9 MISE À NIVEAU DE LA PORTE DU CONGÉLATEUR (suite)

- A** Soulevez la porte sur le côté nécessitant un réglage, faites tourner la came jusqu'à la position requise.



- 0 – Position initiale
1 – Lever de 0,050 po
-1 – Abaisser de 0,050 po
-2 – Abaisser de 0,100 po
-3 – Abaisser de 0,150 po

- B** Une fois le réglage terminé, resserrez les 3 vis de fixation jusqu'à un couple de 65 po-lb.

10 RETRAIT DE L'EMBALLAGE

- A) Retirez les bandes adhésives, les emballages en mousse et les protections des clayettes et des tiroirs.

Instructions d'installation

SYSTÈME ANTI-BASCULEMENT

Modèle PYE, CYE, GYE, DYE, PWE, CWE, and ZWE seulement

AVERTISSEMENT  Risque de basculement.

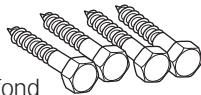


Les modèles encastrés (modèles PYE, CYE, GYE, DYE, PWE, CWE, et ZWE) sont plus lourds au niveau de leur partie supérieure, surtout avec les portes ouvertes. Ces modèles doivent être fixés à l'aide du système anti-basculement par fixation au sol pour éviter que l'appareil ne bascule vers l'avant, ce qui pourrait entraîner des blessures graves, voire mortelles. Lisez et suivez les instructions d'installation complètes pour l'installation du système anti-basculement par fixation au sol livré avec votre réfrigérateur.

REMARQUE :

Si vous n'avez pas reçu de système anti-basculement par fixation au sol avec votre achat, appelez le 1.800.626.8774 pour en recevoir un gratuitement. (Au Canada, appelez le 1.800.561.3344). Pour les instructions d'installation du système consultez le site : www.GEAppliances.com. (Au Canada, www.electromenagersge.ca)

MATÉRIEL DONT VOUS POUVEZ AVOIR BESOIN (non inclus)



Tire-fond
¼ po (6 mm) x 1 - ½ po (38 mm)
Mèche adaptée aux ancrages



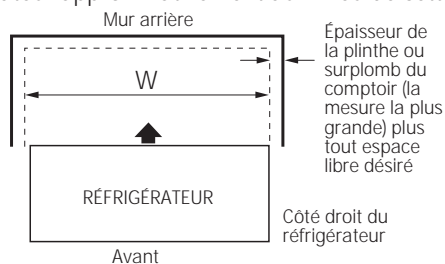
Manchons d'ancrage
½ po (12 mm) de diamètre
externe

Uniquement pour les systèmes anti-basculement par fixation au sol en BÉTON

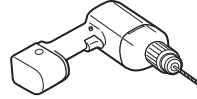
AT-1 MESURE DE L'OUVERTURE DISPONIBLE COMPARÉE A LA LARGEUR DU RÉFRIGÉRATEUR

Mesurez W, la largeur de l'ouverture dans laquelle vous voulez mettre votre réfrigérateur.

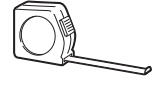
Assurez-vous de tenir compte de tout surplomb du comptoir, de l'épaisseur de la plinthe et de tout espace libre désiré. La largeur W doit être supérieure à 36 pouces. Vous devez placer le réfrigérateur approximativement au milieu de cette ouverture.



OUTILLAGE NÉCESSAIRE



Mèche de 1/8 po (3 mm) et
Perceuse manuelle ou électrique



Mètre



Crayon

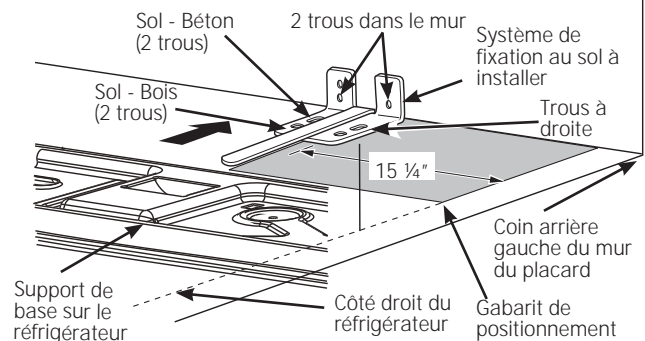


Tournevis à douille 5/16 po
(8 mm)

AT-2 POSITIONNEMENT DU SYSTÈME ANTI-BASCULEMENT PAR FIXATION AU SOL

- A** Placez le gabarit de positionnement du système anti-basculement par fixation au sol (fourni dans la trousse anti-basculement) sur le sol contre le mur arrière, à l'intérieur de W, et en ligne avec l'emplacement souhaité pour le côté droit du réfrigérateur (voir figure 1).

Figure 1 – – Vue d'ensemble de l'installation



- B** Placez le système anti-basculement par fixation au sol sur le gabarit de positionnement avec ses trous au sol de droite alignés aux trous au sol indiqués sur le gabarit, à approximativement 15 ¼ po du bord du gabarit ou du côté droit du réfrigérateur.
- C** Maintenez en position et utilisez le système anti-basculement par fixation au sol comme gabarit pour marquer les trous en vous basant sur votre configuration et la catégorie de construction indiquée dans l'étape 3. Marquez l'emplacement des trous avec un crayon, un clou ou un poinçon.

REMARQUE :

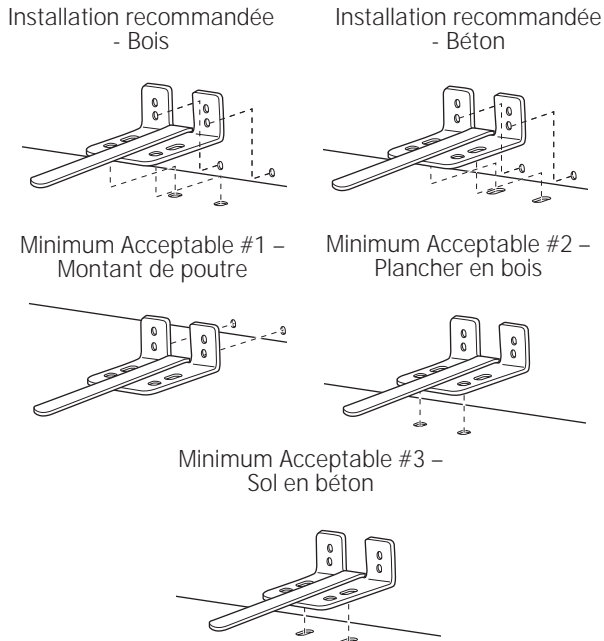
- Il est OBLIGATOIRE d'utiliser au moins 2 vis pour fixer le système de fixation au sol (un de chaque côté du système anti-basculement par fixation au sol). Les deux doivent entrer dans le mur ou dans le sol. La figure 2 indique toutes les configurations acceptables de montage pour ces vis. Identifiez les trous de vis sur le système anti-basculement par fixation au sol pour votre configuration.

Instructions d'installation

INSTALLATION DU RÉFRIGÉRATEUR (suite)

AT-2 POSITIONNEMENT DU SYSTÈME ANTI-BASCULEMENT PAR FIXATION AU SOL (suite)

Figure 2 – Emplacements acceptables pour les vis



B Mur et plancher en BETON :

- Ancrages nécessaires (non fourni) :
4 tire-fond d' 1/4 po (6 mm) x 1- 1/2 po (38 mm) 4 manchons d'ancrage d' 1/2 po (12 mm) de diamètre externe
- Percez les trous de taille recommandées pour les ancrages dans le béton au centre des trous marqués dans l'étape 2.
- Placez les manchons d'ancrage dans les trous percés. Placez la fixation de sol anti-basculé comme indiquée à l'étape 2. Retirez le gabarit de positionnement du sol.
- Installez les tire-fond à travers la fixation de sol anti-basculé et serrez correctement.

C Mur en BOIS et sol CARRELE :

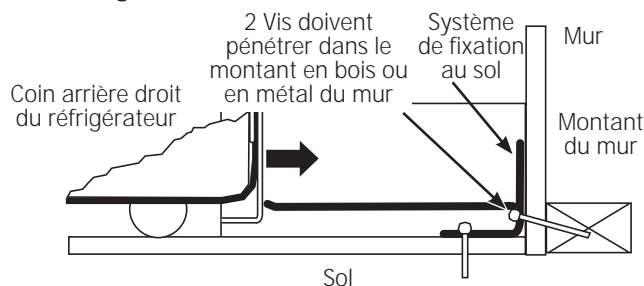
- Pour ce cas particulier, localisez les 2 trous sur le mur identifié dans la figure 2. Percez diagonalement un trou de guidage de 1/8 po (3 mm) au centre de chaque trou (comme indiqué à la Fig. 3).
- Installez la fixation de sol anti-basculé en utilisant le Minimum Acceptable #1, comme illustré dans la Fig. 2.

AT-3 INSTALLATION DU SYSTÈME ANTI-BASCULEMENT

A Mur et plancher en BOIS :

- Percez le nombre approprié de trous de guidage de 1/8 po au centre de chaque trou pour la fixation de sol utilisé (vous pouvez utiliser un clou ou un poinçon si vous n'avez pas de perceuse) ET enlevez le gabarit du sol.
- Montez la fixation de sol anti-basculé en vissant fermement les 2 ou 4 (recommandé) vis à tête hexagonale, n° 10-16 comme illustré à la figure 3.

Figure 3 – Fixation au mur et au sol



AT-4 POSITIONNEMENT DU RÉFRIGÉRATEUR POUR L'ENGAGER DANS LE SYSTÈME ANTI-BASCULEMENT

- A** Avant de mettre le réfrigérateur dans son emplacement final, branchez le cordon d'alimentation dans la prise de courant et raccordez l'eau (si nécessaire). Vérifiez qu'il n'y a pas de fuite.
- B** Trouvez le côté droit du réfrigérateur et faites le reculer jusqu'à ce qu'il soit approximativement aligné avec le côté droit de l'ouverture W. Cette manœuvre devrait positionner le système anti-basculé pour que celui-ci s'accroche à la base anti-basculé du réfrigérateur
- C** Faites doucement rouler le réfrigérateur dans l'ouverture jusqu'à ce qu'il s'arrête. Vérifiez que l'avant du réfrigérateur s'aligne avec la façade des placards. Dans le cas contraire, faites délicatement basculer le réfrigérateur vers l'avant et vers l'arrière jusqu'à ce que le système anti-basculé soit engagé et que vous remarquiez que le réfrigérateur est complètement poussé contre le mur du fond
- D** Si nécessaire : Réglez la hauteur des roulettes arrière (et avant) de manière à engager complètement le système anti-basculé, tout en alignant l'avant du réfrigérateur à l'avant des placards.

REMARQUE : Si vous faites sortir le réfrigérateur en le tirant et l'écartez du mur pour une raison quelconque, assurez-vous de bien engager le système anti-basculé quand vous repoussez le réfrigérateur contre le mur du fond.

Instructions d'installation

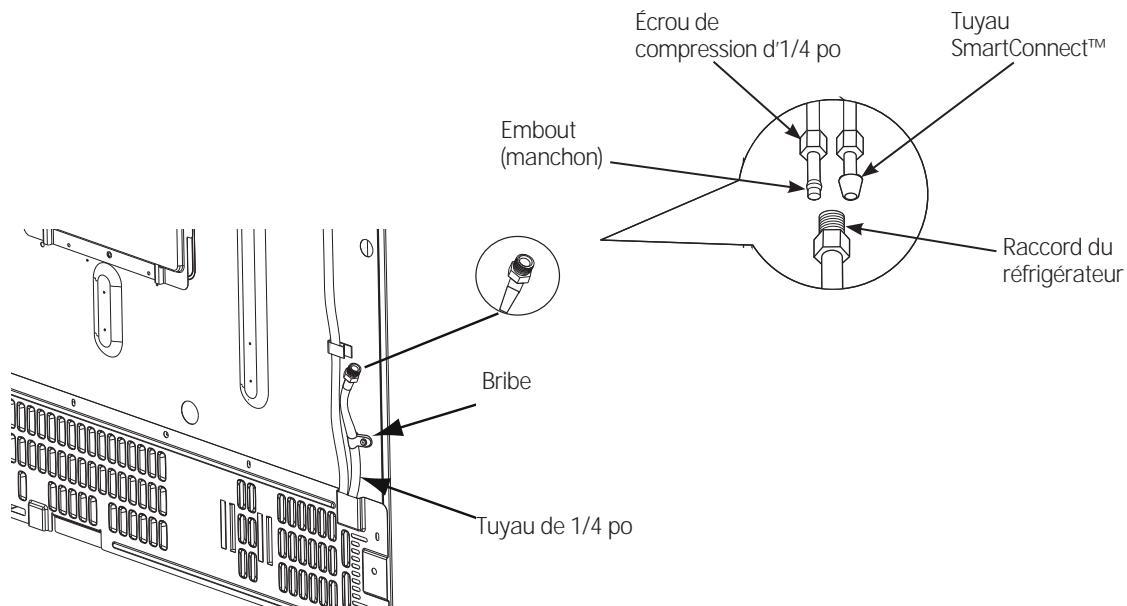
11 RACCORDEMENT DU RÉFRIGÉRATEUR À LA CONDUITE D'EAU DE LA MAISON

Une alimentation d'eau froide est requise pour faire fonctionner la machine à glaçons automatique. Vous devrez en fournir une si elle n'existe pas. Consultez la section « Installation de l'alimentation en eau ».

REMARQUES :

- Avant de raccorder la conduite d'eau au réfrigérateur, assurez-vous que le cordon d'alimentation électrique du réfrigérateur n'est pas branché à la prise murale.
- Si votre réfrigérateur n'est pas équipé de filtre à eau, nous recommandons d'en monter un si votre alimentation d'eau contient du sable ou des particules qui peuvent boucher la grille du robinet d'eau du réfrigérateur. Installez le dans la conduite d'alimentation d'eau froide près du réfrigérateur. Si vous utilisez une trousse SmartConnect™ Refrigerator Tubing, vous aurez besoin d'un tuyau supplémentaire (WX08X10002) pour brancher le filtre. Ne coupez pas le tuyau en plastique pour installer le filtre.
- Avant de raccorder la conduite d'eau à la maison, purgez la ligne de la maison pendant au moins 2 minutes.

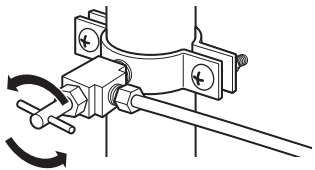
- A** Si vous utilisez un tuyau de cuivre, placez un écrou de compression et une bague (manchon) à l'extrémité du tuyau qui vient de l'alimentation d'eau froide de la maison. Si vous utilisez le tuyau SmartConnect™, les écrous sont déjà assemblés au tuyau.
- B** Si vous utilisez un tuyau de cuivre, insérez aussi loin que possible l'extrémité du tuyau dans le raccord à l'arrière du réfrigérateur. Tout en tenant le tuyau, serrez le raccord. Si vous utilisez un tuyau SmartConnect™, insérez l'extrémité moulée du tuyau dans le raccord à l'arrière du réfrigérateur, puis serrez l'écrou à compression à la main. Serrez ensuite d'un autre tour à l'aide d'une clé. Des fuites peuvent survenir si l'écrou est trop serré.
- C** Fixez le tuyau dans le collier de serrage fourni pour le maintenir en position. Vous aurez peut être besoin d'écarter la bride.



Instructions d'installation

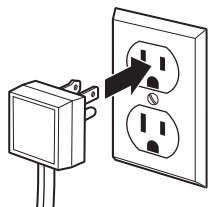
INSTALLATION DU RÉFRIGÉRATEUR (suite)

12 OUVRIR L'ALIMENTATION EN EAU



Ouvrez l'alimentation d'eau au niveau du robinet d'arrêt (alimentation en eau de la maison) et vérifiez qu'il n'y a pas de fuite.

13 BRANCHEMENT DU CORDON D'ALIMENTATION DU RÉFRIGÉRATEUR



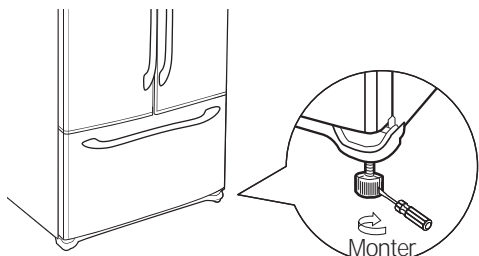
Veuillez lire les informations de mise à la terre fixées au cordon d'alimentation.

14 MISE À NIVEAU DU RÉFRIGÉRATEUR

Les pieds de mise à niveau servent :

- 1) à ajuster le réfrigérateur pour que celui-ci soit correctement positionné sur le sol et ne vacille pas
- 2) de frein pour stabiliser le réfrigérateur pendant son utilisation et son nettoyage. Les pieds de mise à niveau permettent aussi d'empêcher le réfrigérateur de basculer.

- A** Tournez les pieds de mise à niveau dans le sens des aiguilles d'une montre pour relever le réfrigérateur et dans le sens inverse des aiguilles d'une montre pour l'abaisser.

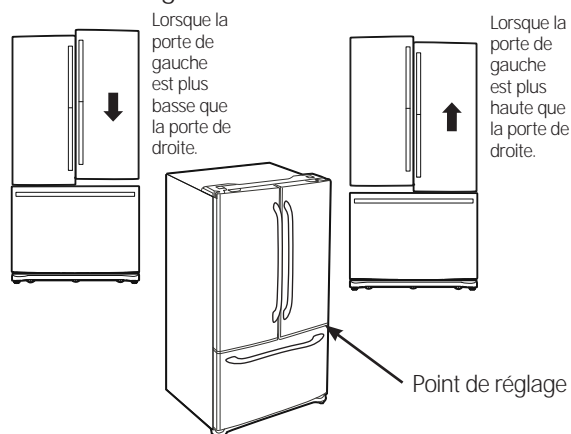


Tournevis à tête plate

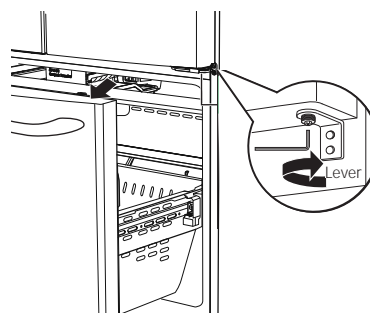
REMARQUE : Pour éviter tout dommage matériel, les pieds de mise à niveau doivent bien reposer sur le sol.

15 MISE À NIVEAU DES PORTES DU RÉFRIGÉRATEUR

Rappelez-vous qu'il est nécessaire que le réfrigérateur soit de niveau pour que les portes soient parfaitement de niveau. Si vous avez besoin d'aide, consultez la section précédente sur la mise à niveau du réfrigérateur.

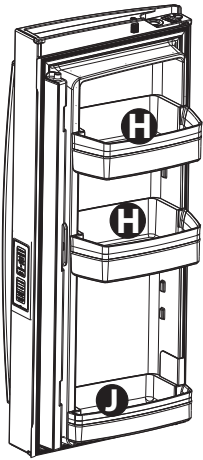


- A** Si vous ouvrez la porte du congélateur, vous verrez la charnière centrale.
- B** Insérez une clé Allen d'1/4 po dans l'axe de la charnière centrale.
- C** Ajustez la hauteur en tournant dans le sens des aiguilles d'une montre ou dans le sens inverse des aiguilles d'une montre. Lorsque vous tournez dans le sens inverse des aiguilles d'une montre, la porte se déplace vers le haut.

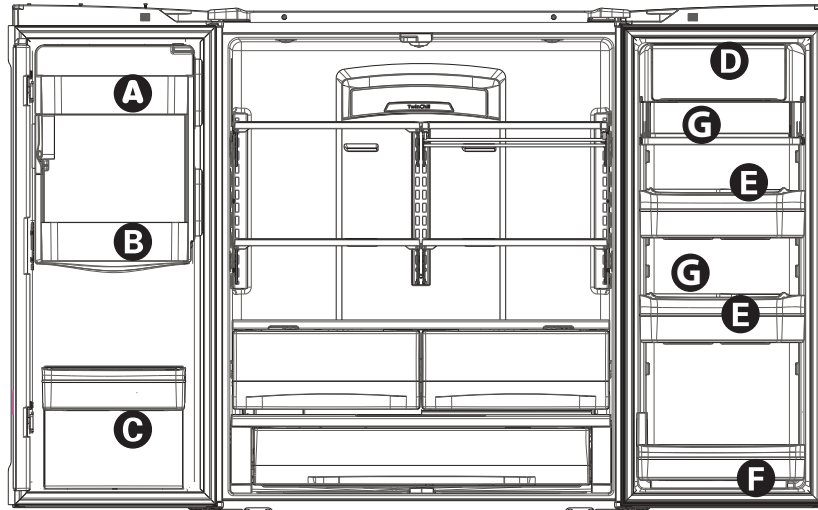


Instructions d'installation

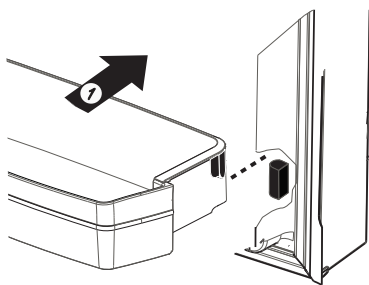
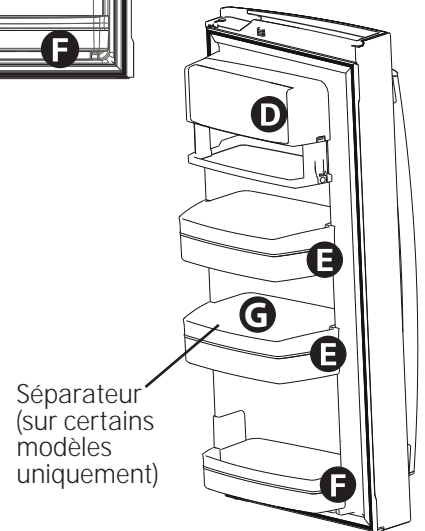
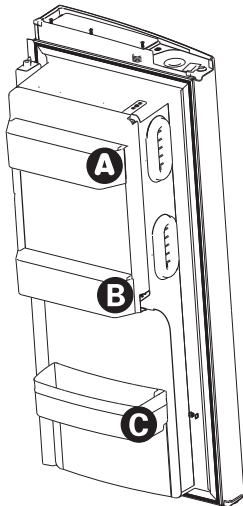
Modèles sans distributeur



Instructions de montage du réfrigérateur (suggestion).

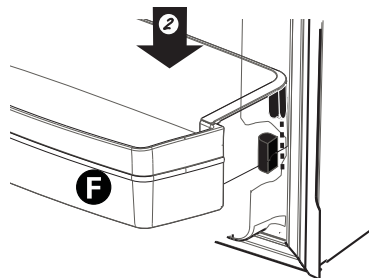


Machine à glaçons dans le congélateur, offerte avec les modèles sans distributeur et aussi en ensemble prêt-à-monter IM avec certains modèles.

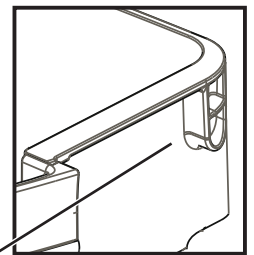


Pour positionner les bacs dans les portes :

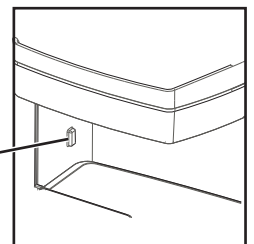
1 Faites correspondre votre bac avec la lettre indiquée. Positionnez les crochets du bac sur le repère et le pousser en avant jusqu'à insertion complète.



2 Appuyez sur le bac jusqu'à ce qu'il soit bien encastré dans sa position finale.



Crochet de bac arrière de chaque côté



Repère du bac de chaque côté

Instructions d'installation

INSTALLATION DE LA CONDUITE D'EAU

AVANT DE COMMENCER

Nous recommandons les trouses d'alimentation d'eau en cuivre WX8X2, WX8X3, WX8X4, selon la longueur de tuyau dont vous avez besoin.

Nous approuvons les conduites d'eau en matière plastique SmartConnect™ Refrigerator Tubing (WX08X10006, WX08X10015 et WX08X10025).

Si vous installez un système d'eau à osmose inverse GE Appliances dans votre réfrigérateur, la trousse GE Appliances RVKIT est la seule installation approuvée. Pour les autres systèmes à osmose inverse, suivez les recommandations du fabricant.

Si l'alimentation d'eau du réfrigérateur provient d'un système de filtration de l'eau par osmose inverse (OI) ET si votre réfrigérateur est équipé d'un filtre à eau, utilisez le bouchon de dérivation du filtre du réfrigérateur. En cas d'utilisation de la cartouche de filtration d'eau du réfrigérateur associée à un filtre à OI peut produire des glaçons creux.

L'installation de cette conduite d'eau n'est pas garantie par le fabricant du réfrigérateur ou de la machine à glaçons. Suivez attentivement ces instructions afin de minimiser le risque de fuite d'eau et de dommages onéreux.

Les coups de bélier (coups dans les tuyaux) dans la tuyauterie de la maison peuvent endommager les pièces de votre réfrigérateur et provoquer des fuites d'eau ou des inondations. Appelez un plombier certifié pour corriger les coups de bélier avant de brancher l'alimentation en eau au réfrigérateur.

Pour prévenir les brûlures et éviter d'endommager votre produit, ne branchez pas le tuyau d'eau à une conduite d'eau chaude.

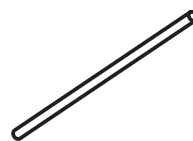
Si le réfrigérateur est mis en marche avant le raccordement de l'alimentation d'eau à la machine à glaçons, voir la section **Commandes** de la page 59 pour la désactivation de la machine à glaçons.

Ne pas installer la tubulure de la machine à glaçons à des endroits où la température baisse sous le point de congélation.

Lors de l'utilisation d'un appareil électrique (tel qu'une perceuse) durant l'installation, s'assurer que celui-ci est doublement isolé et qu'il est mis à la terre de façon à prévenir les chocs électriques, ou qu'il est alimenté par batterie.

Toutes les installations doivent être conformes aux codes de plomberie locaux.

PIÈCES NÉCESSAIRES



- Tuyaux en cuivre ou trousse SmartConnect™ Refrigerator Tubing, diamètre extérieur d'1/4 po pour brancher le réfrigérateur à l'alimentation d'eau. Si vous utilisez un tuyau en cuivre, les deux extrémités du tuyau doivent être coupées bien droit.

Pour déterminer la longueur de tuyau dont vous avez besoin : mesurez la distance entre le robinet d'eau à l'arrière du réfrigérateur et le tuyau d'alimentation en eau. Assurez-vous d'avoir une longueur de tuyau suffisante pour permettre d'éloigner le réfrigérateur du mur après l'installation. Les trouses de tuyauterie pour réfrigérateur SmartConnect™ sont disponibles dans les longueurs suivantes :

8 pi (2,4 m) - WX08X10006

15 pi (4,6 m) - WX08X10015

25 pi (7,6 m) - WX08X10025

Instructions d'installation

INSTALLATION DE LA CONDUITE D'EAU (suite)

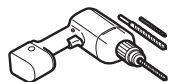
PIÈCES NÉCESSAIRES (suite)

REMARQUE : Les seuls tuyaux en plastique autorisés par GE Appliances sont fournis avec la trousse SmartConnect™ Refrigerator Tubing. N'utilisez pas d'autres tuyaux d'alimentation d'eau en plastique, cette ligne étant sous pression en permanence. Certains types de plastique peuvent se fissurer ou se rompre avec le vieillissement et causer des dégâts d'eau dans votre maison.

- Vous pouvez vous procurer une trousse GE Appliances de branchement à l'alimentation d'eau (contenant tuyau, robinet, raccords et instructions) auprès de votre fournisseur ou au Centre de Pièces Détachées et d'Accessoires, au 800.626.2002 (au Canada, 1.800.661.1616).

- Alimentation en eau froide La pression de l'alimentation d'eau doit être entre 20 et 120 psi (1,4 à 8,1 bar).

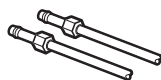
- Perceuse électrique.



- Clé d'1/2 po ou clé réglable

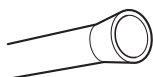
- Un tournevis à tête plate et un tournevis cruciforme.

- Deux écrous à compression d'un diamètre extérieur de 1/4 po et deux bagues (manchons)—pour brancher le tuyau en cuivre au robinet d'arrêt et au robinet d'eau du réfrigérateur.

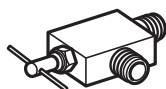


- Si vous utilisez une trousse SmartConnect™ Refrigerator Tubing, les raccords nécessaires sont déjà assemblés au tuyau.

- Si votre canalisation d'eau actuelle en cuivre est équipée d'un raccord évasé à une extrémité, vous aurez besoin d'un adaptateur (que vous trouverez dans votre magasin de matériel de plomberie) pour brancher le tuyau d'eau au réfrigérateur, OU BIEN vous pouvez couper le raccord évasé à l'aide d'un coupe-tube, puis utiliser un raccord à compression. Ne coupez jamais l'extrémité finie d'un tuyau de la trousse SmartConnect™ Refrigerator Tubing.



- Robinet d'arrêt pour brancher le tuyau d'eau froide. Le robinet d'arrêt doit avoir une entrée d'eau avec un diamètre intérieur minimal de 5/32 po au point de jonction avec le TUYAU D'EAU FROIDE. Des robinets d'arrêt de type vanne à étrier sont souvent inclus dans les trusses d'alimentation d'eau. Avant d'en acheter, assurez-vous que ce type de robinet est conforme à vos codes de plomberie locaux.



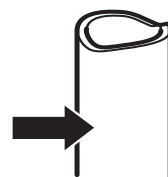
Installez le robinet d'arrêt sur la canalisation d'eau potable la plus proche.

1 FERMETURE DE L'ALIMENTATION D'EAU PRINCIPALE

Ouvrez le robinet le plus proche pour purger l'eau des tuyauteries.

2 OUVREZ LE ROBINET LE PLUS PROCHE POUR PURGER L'EAU DES TUYAUTERIES.

Choisissez un emplacement pour le robinet qui soit facilement accessible. Il est préférable de se connecter sur le côté d'un tuyau vertical. Si vous devez vous connecter à un tuyau horizontal, faites le branchement vers le haut ou sur le côté, plutôt qu'en bas du tuyau pour éviter de recevoir des sédiments provenant de la conduite d'eau.

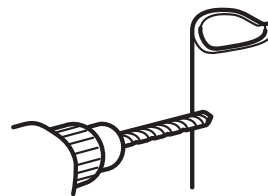


3 PERÇAGE D'UN TROU POUR LE ROBINET

Percez un trou de 1/4 po dans le tuyau d'eau, à l'aide d'un foret dur, même si vous utilisez un robinet auto-forant. Enlevez toutes les bavures dues au perçage du trou dans le tuyau.

Veillez à ne pas laisser l'eau couler dans votre perceuse.

Si vous ne percez un trou d'1/4 po, votre production de glace ainsi que la taille des glaçons seront réduites.

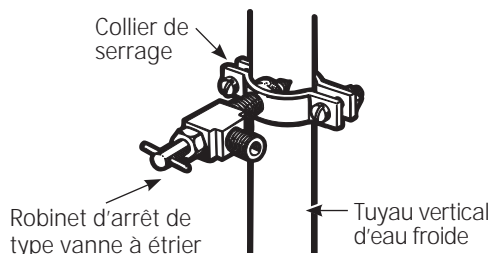


Instructions d'installation

INSTALLATION DE LA CONDUITE D'EAU (suite)

4 FIXATION DU ROBINET D'ARRÊT

Fixez le robinet d'arrêt à la canalisation d'eau froide à l'aide du collier de serrage.

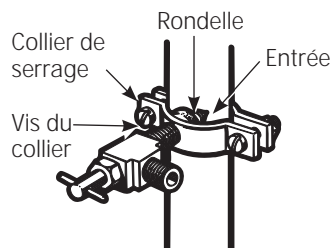


REMARQUE : L'installation sera conforme aux codes de plomberie 248CMR du Commonwealth du Massachusetts. L'utilisation de robinets-vannes à étrier sont interdites au Massachusetts. Demandez l'avis de votre plombier qualifié.

5 SERRAGE DU COLLIER

Serrez les vis du collier jusqu'à ce que la rondelle d'étanchéité commence à enfler.

REMARQUE : Ne serrez pas trop, vous risquez d'écraser le tuyau.



6 PASSAGE DU TUYAU

Faites passer le tuyau entre la conduite d'eau froide et le réfrigérateur.

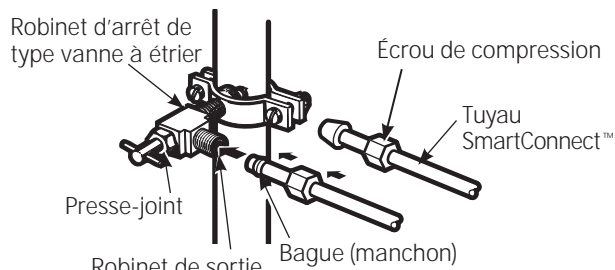
Faites passer le tuyau par un trou percé dans le mur ou le plancher (derrière le réfrigérateur ou au niveau du placard adjacent) aussi près du mur que possible.

7 BRANCHEMENT DU TUYAU AU ROBINET

Placez un écrou de compression et une bague (manchon) à l'extrémité du tuyau et branchez-les au robinet d'arrêt.

Assurez-vous que le tuyau soit bien inséré dans le robinet. Serrez bien l'écrou de compression.

Pour le tuyau en matière plastique d'une trousse SmartConnect™ Refrigerator Tubing, insérez l'extrémité moulée du tuyau dans le robinet d'arrêt et serrez l'écrou de compression à la main, puis serrez d'un tour supplémentaire avec une clé. Des fuites peuvent survenir si l'écrou est trop serré.



REMARQUE : L'installation sera conforme aux codes de plomberie 248CMR du Commonwealth du Massachusetts. L'utilisation de robinets-vannes à étrier sont interdites au Massachusetts. Demandez l'avis de votre plombier qualifié.

8 PURGE DU TUYAU

Ouvrez le robinet d'alimentation principale d'eau et purgez le tuyau jusqu'à ce que l'eau soit claire.

Fermez l'eau au niveau du robinet d'eau après écoulement d'environ 1 litre (1 quart) d'eau par le tuyau ou au bout de 2 minutes.



Pour terminer l'installation du réfrigérateur, retournez à l'étape 11 de la section Installation du réfrigérateur.



Les réfrigérateurs plus récents font des bruits différents de ceux des anciens. Les réfrigérateurs modernes proposent plus de fonctions et sont plus avancés sur le plan technologique.

Entendez-vous ce que j'entends ? Ces conditions sont normales.

**HUMMM...
OUUCH...**

- Le nouveau compresseur à rendement élevé peut fonctionner plus longtemps et plus vite que votre ancien réfrigérateur et vous pouvez entendre un son modulé ou un ronflement aigu pendant son fonctionnement.
- Vous entendrez peut-être un sifflement lorsque les portes se ferment.
- Ceci est dû à l'équilibrage de la pression dans le réfrigérateur. Après distribution de glace, un moteur ferme la goulotte de glace pour empêcher l'air tiède ambiant d'entrer dans le seau à glace, permettant ainsi de maintenir la glace à une température en dessous de zéro.

Le ronronnement du moteur fermant la goulotte de glaçons est normal, quelques instants après la distribution de glace.

WHIR!



- Vous pouvez entendre les ventilateurs tourner à hautes vitesses. Cela se produit lorsque le réfrigérateur vient d'être branché, lorsque les portes sont ouvertes fréquemment ou lors de l'ajout d'une grande quantité d'aliments dans le réfrigérateur ou le congélateur. Les ventilateurs permettent de maintenir les bonnes températures.
- La vitesse des ventilateurs varie pour fournir un refroidissement et une économie d'énergie optimum.

CLICS, CRAQUEMENTS ET CLAQUEMENTS

- Vous entendrez peut-être des craquements ou des bruits secs lorsque le réfrigérateur vient d'être branché. Ceci se produit lorsque le réfrigérateur se refroidit pour atteindre la bonne température.
- L'expansion et la contraction des serpentins de refroidissement pendant et après le dégivrage peuvent provoquer des craquements ou des claquements.
- Sur les modèles équipés d'une machine à glaçons, après un cycle de fabrication de glaçons, vous entendrez les glaçons tomber dans le seau à glace.
- Sur les modèles équipés d'un distributeur, au cours de la distribution d'eau, vous entendrez peut-être le déplacement des tuyaux d'eau au début de la distribution et après avoir relâché le bouton du distributeur.
- Ceci est dû à l'équilibrage de la pression dans le réfrigérateur. Après distribution de glace, un moteur ferme la goulotte de glace pour empêcher l'air tiède ambiant d'entrer dans le seau à glace, permettant ainsi de maintenir la glace à une température en dessous de zéro.

BRUITS D'EAU



- La circulation du liquide frigorigène dans le système provoque parfois des gargouillements comme de l'eau en ébullition.
- L'eau qui tombe sur le chauffage de dégivrage peut parfois provoquer des crépitements, des bourdonnements pendant le cycle de dégivrage.
- Vous entendrez peut-être des bruits de ruissellement pendant le cycle de dégivrage quand la glace sur l'évaporateur fond et coule dans le bac collecteur.
- La fermeture de la porte peut provoquer un gargouillement dû à l'équilibrage de la pression.

REFROIDISSEMENT AU DÉMARRAGE

24 heures peuvent être nécessaires pour que les températures dans le réfrigérateur et le congélateur correspondent à celles affichées à l'écran. Pendant ce temps, il est préférable de réduire au maximum l'ouverture des portes du réfrigérateur et du congélateur.

CONSEILS

- Le congélateur se refroidit en premier.
- Le compartiment de réfrigération se refroidit en dernier, cela peut prendre plusieurs heures après le congélateur.

- En éteignant la machine à glaçons, les aliments dans le congélateur et le réfrigérateur se refroidissent plus rapidement.

Avant d'appeler à un réparateur...



*Conseils de dépannage
Économisez du temps et de l'argent ! Consultez d'abord les tableaux dans les pages suivantes pour peut-être éviter de faire appel à un technicien.*

Problème	Causes Possibles	Solution
Message d'installation incorrecte du filtre à eau ou fuite présente sur panneau de commande.	Le filtre à eau installé à l'envers ou fuit.	Vérifiez qu'il n'y a pas de fuite. Si aucune fuite n'est détectée, retirez le filtre/le bouchon de dérivation, retournez le filtre (rotation à 180°) et réinstallez-le.
Le « triangle d'avertissement » est allumé Le voyant Remplacer le filtre/Remplacer le filtre à eau est allumé Le voyant En retard est allumé	Le filtre à eau fuit ou doit être remplacé Le filtre à eau est installé à l'envers	Remplacez le filtre à eau, vérifiez la présence de fuite. Retirez le filtre, tournez-le de 180° et réinstallez-le.
Le voyant Distributeur désactivé est allumé	Contrôles A, B et C Un filtre inapproprié a été installé	Remplacez le filtre par un modèle approprié Retirez le filtre, tournez-le de 180° et réinstallez-le
Il n'y a pas de filtrage	Le bouchon de filtration du filtre est installé Contrôles B et C	Installez un filtre à eau approprié
Le voyant Réinitialiser le filtre est allumé.	Le filtre à eau fuit ou doit être remplacé.	Remplacez le filtre à eau, ou installez le bouchon de dérivation. Maintenez une pression sur la touche Reset Filter durant 3 secondes pour réinitialiser (contrôle D seulement).
Le voyant lumineux du filtre à eau reste allumé après le remplacement du filtre	L'indicateur de filtre à eau doit être réinitialisé	Sélectionnez SETTINGS (Paramètres) à l'écran LCD, puis WATER FILTER (Filtre à eau). Sélectionnez RESET (Réinitialiser)
Le voyant lumineux du filtre à eau est éteint	Ceci est normal. Ce voyant s'allume pour vous signaler que le filtre devra bientôt être remplacé.	Consultez la section <i>A propos du Filtre à Eau</i> pour de plus amples informations.
La poignée est lâche/Il y a un espace vide au niveau de la poignée.	La poignée doit être ajustée.	Consultez les sections Fixation de la Poignée du Compartiment de Réfrigération et Fixation de la Poignée du Congélateur pour des instructions détaillées.
Le réfrigérateur bipe	Il s'agit de l'alarme de la porte	Arrêtez-la ou désactivez-la avec la porte fermée. Si la porte est ouverte et l'alarme retentit, vous ne pouvez qu'arrêter l'alarme.
Pas de refroidissement	Le système de refroidissement est éteint	Consultez la section <i>A propos des commandes</i>
L'eau a un mauvais goût ou une mauvaise odeur*	Le distributeur d'eau n'a pas été utilisé pendant une longue période.	Tirez de l'eau jusqu'à ce que toute l'eau du système soit remplacée.
L'eau dans le verre est tiède*	Ceci est normal lorsque le réfrigérateur vient d'être branché	Attendez 24 heures pour que le réfrigérateur refroidisse complètement
	Le distributeur d'eau n'a pas été utilisé pendant une longue période	Tirez de l'eau jusqu'à ce que toute l'eau du système soit remplacée.
	Le système d'eau a été vidangé	Attendez quelques heures pour que l'eau se refroidisse.
Le distributeur d'eau ne fonctionne pas*	Le robinet d'eau est fermé ou n'est pas branché.	Consultez la section <i>Installation de la conduite d'eau</i>
	Le filtre à eau est bouché ou le filtre/le bouchon de dérivation n'est pas installé	Remplacez la cartouche de filtre ou retirez le filtre et installez le bouchon de dérivation.
	De l'air peut être piégé dans le système d'eau.	Appuyez sur le bras de distribution pendant au moins 5 minutes.
	L'eau dans le réservoir est gelée parce que les commandes sont réglées sur une température trop froide.	Réglez la commande du réfrigérateur sur une température plus élevée et attendez 24 heures. Si le distributeur ne donne pas d'eau au bout de 24 heures, contactez un réparateur



Conseils de dépannage (suite)

Problème	Causes Possibles	Solution
L'eau jaillit du distributeur*	La cartouche du filtre vient d'être installée	Faites couler l'eau du distributeur pendant 5 minutes (environ 2 gallons ou 7,5 litres).
Pas de production d'eau ou de glaçons *	La ligne d'alimentation ou le robinet d'arrêt est bouché	Appelez un plombier
	Le filtre à eau est bouché	Remplacez la cartouche de filtre ou retirez le filtre et installez le bouchon de dérivation.
	La cartouche du filtre n'est pas correctement installée	Retirez et réinstallez la cartouche de filtre, en étant certain qu'elle est bien verrouillée
	La machine à glaçons est éteinte	Vérifier que la machine à glaçons est en marche Consultez la section <i>À propos de la machine à glaçons automatique</i>
L'eau jaillit du distributeur*	L'air est peut être présent dans le système d'alimentation en eau, amenant l'eau à gouter après distribution	Distribuez de l'eau pendant au moins 5 minutes pour éliminer l'air du système
AUTO FILL (Remplissage automatique) : Remplissage manquant/Pas de remplissage*	Tout récipient ne peut pas servir pour le AUTO FILL (remplissage automatique).	Essayer un récipient différent
	Message d'erreur.	Voir p.62 Nettoyez le capteur. Voir p.62
Débordements dus au AUTO FILL (remplissage automatique) *	Tout récipient ne peut pas servir pour le AUTO FILL (remplissage automatique).	Essayer un récipient différent
Le congélateur refroidit mais pas le compartiment de réfrigération	Ceci est normal lorsque le réfrigérateur vient d'être branché ou après une panne d'électricité d'une longue durée.	Attendez 24 heures pour que la température dans les deux compartiments atteigne les températures sélectionnées.
Le distributeur de glace s'ouvre après la fermeture du tiroir du congélateur*	Normal	La porte du distributeur de glace peut s'ouvrir après la fermeture de la porte du congélateur pour permettre l'accès
Low brewing flow rate	There may have been a dent at the bottom of K-Cup causing the pin to pierce the filter allowing coffee grounds clogging the bottom pin	Avoid using damaged/dented K-cups, and clean the lower needle before next brew
Low brewing flow rate / water drips from inner door	Top needle of the brewer clogged	Unclog the top needle holes using a paper clip and rinse brewer. Rinse brewer after every use.
L'infuseur n'est pas détecté ou de l'eau chaude fuit sur le dessus de l'infuseur.	Installation incorrecte de l'infuseur dans son support.	Assurez-vous que le logo Keurig se trouve sur le devant. Poussez l'infuseur jusqu'au bout dans son support.
Des éclaboussures ou des éclatements de bulles se produisent en servant le café.	L'orifice de ventilation est obstrué dans l'infuseur.	Assurez-vous que l'orifice de ventilation dans le bas de l'infuseur soit exempt de nourriture ou de toute autre contamination.

*Certains modèles seulement

Avant d'appeler à un réparateur...



Conseils de dépannage (suite)

Problème	Causes Possibles	Solution
La qualité du breuvage ne répond pas aux attentes.	Vous utilisez peut-être des dosettes K-Cups non standard ou périmées.	Nous recommandons d'utiliser des dosettes Keurig K-cups véritables qui ne sont ni périmées, ni endommagées.
Du liquide dégoutte de l'infuseur après le cycle d'infusion et lorsque l'infuseur est retiré de son support.	Il est possible que du liquide soit retenu par l'infuseur et dégoutte lors du retrait.	Utilisez un linge ou un récipient pour recueillir les gouttes lors de l'infusion.
Présence d'un délai lors de l'utilisation du distributeur pour dosettes Keurig K-cups.	Pour garantir la distribution d'un breuvage de qualité, un court délai est nécessaire pour faire en sorte que le réfrigérateur fonctionne correctement.	Un fonctionnement constant et de qualité exige que le réfrigérateur diffère la distribution durant une courte période de temps.
Après l'infusion, mon breuvage en poudre n'est pas totalement dégagé de la dosette utilisée.	Selon la quantité sélectionnée, la poudre peut ne pas se dissoudre complètement. Certains breuvages en poudre développent des « mottes » s'ils reposent depuis un certain temps.	Secouez les dosettes de poudre avant l'infusion afin de défaire ces mottes et faciliter la dissolution. Pour les breuvages en poudre sans filtre, sélectionnez le cycle Cacao.
Le couvercle de l'infuseur est difficile à fermer.	La dosette K-cup ne repose pas à fond.	Poussez la dosette K-cup jusqu'au bout dans l'infuseur avant de fermer le couvercle. L'aiguille inférieure doit percer la dosette avant la fermeture du couvercle.
L'infuseur fuit pendant le cycle d'infusion.	La fermeture du couvercle de l'infuseur pose problème ou la dosette K-cup est endommagée.	Poussez la dosette K-cup jusqu'au bout dans l'infuseur avant de fermer le couvercle. L'aiguille inférieure doit percer la dosette avant la fermeture du couvercle. Nous recommandons d'utiliser des dosettes Keurig K-cups véritables, non endommagées et qui présentent une bonne étanchéité entre le dessus et le fond en plastique.

*Certains modèles seulement

ENTRETIEN

Avant de faire appel à un technicien, parcourez les conseils de dépannage donnés dans ce manuel. Si nécessaire, une visite par un technicien de service peut être prévue en nous contactant en ligne sur GEAppliances.ca ou par téléphone au 800.561.3344.

Mythe ou réalité

Mythe ou réalité ?	Réponse	Explication
Le filtre à eau du réfrigérateur peut nécessiter un remplacement en-deçà de six mois.	VRAI	Le voyant du filtre à eau indiquera la nécessité de remplacer le filtre tous les six mois, ou suite à la distribution de 644 litres (170 gallons) d'eau (certains modèles seulement). Si le débit d'eau du distributeur ralentit ou si la production de glace diminue, le filtre à eau doit être remplacé, même si l'indicateur de filtre peut ne pas indiquer la nécessité d'un remplacement.
La machine à glaçons automatique dans mon réfrigérateur produira de la glace lorsque le réfrigérateur est branché à une prise secteur.	MYTHE	Le réfrigérateur doit être raccordé à une alimentation en eau et la machine à glaçons doit être allumée. Assurez-vous que la machine à glaçons est en marche, mais seulement après avoir raccordé le système à l'alimentation en eau et que celle-ci est ouverte. La machine à glaçons peut être allumée ou éteinte à partir des commandes. Veillez à ce que la machine à glaçons soit en marche, comme indiqué sur le panneau de commande du réfrigérateur. Consultez la section <i>À propos de la machine à glaçons automatique</i> .
Une fois que le réfrigérateur est branché à une prise électrique et raccordé à une alimentation en eau, j'aurai immédiatement des quantités illimitées d'eau glacée disponibles au distributeur d'eau.	MYTHE	Le bac du distributeur d'eau situé à l'intérieur du réfrigérateur sert à stocker l'eau à distribuer. 24 heures sont nécessaires pour que l'eau de ce réservoir soit refroidie après l'installation. Une utilisation trop importante ne permet pas à l'eau de se refroidir.
Après distribution d'une quantité d'eau, la présence de quelques gouttes d'eau est normale.	VRAI	Quelques gouttes d'eau peuvent tomber du distributeur après que le bras de distribution ait été relâché. Pour minimiser les pertes, retirez lentement votre verre du distributeur.
Il n'y aura jamais de givre dans le compartiment de congélation.	MYTHE	La présence de givre dans le congélateur indique généralement que la porte n'est pas bien fermée ou a été laissée ouverte. En cas de givre, éliminez le l'aide d'une spatule en plastique et d'un torchon. Puis vérifiez qu'aucun aliment ou conteneur empêche la fermeture de la porte du congélateur. Vérifiez sur le panneau de contrôle du réfrigérateur si l'alarme de la porte est activée.
Après installation du réfrigérateur ou après le remplacement de la cartouche filtrante, je dois tirer de l'eau pendant cinq minutes.	VRAI	Un réfrigérateur ou un filtre à eau nouvellement installé contient de l'air dans les tuyaux d'eau. Appuyez sur le bras du distributeur pour tirer de l'eau froide pendant au moins 5 minutes pour éliminer l'air du tuyau d'alimentation en eau et rincer le filtre.
Pour remplir le seau à glace jusqu'à sa capacité maximale, je dois distribuer des glaçons environ 12 à 18 heures après l'installation.	VRAI	La distribution de 3 ou 4 glaçons, entre 12 heures et 18 heures après l'installation, permet à la glace de se disperser dans le seau à glace. Celui-ci indique à la machine à glaçons de produire des glaçons supplémentaires. Production normale de glaçons = 100 glaçons en 24 heures.
Je peux utiliser le bouchon de dérivation du filtre à eau pour déterminer si le filtre doit être remplacé.	VRAI	La réduction de débit du distributeur d'eau ou de la production de glace peut indiquer la nécessité de remplacer le filtre à eau. Installez le bouchon de dérivation du filtre à eau (fourni avec le réfrigérateur), et vérifiez le débit au niveau du distributeur. Si le débit d'eau revient à la normale avec le bouchon de dérivation en place, remplacez le filtre à eau.
La partie supérieure de la porte du réfrigérateur sera toujours alignée.	MYTHE	Plusieurs facteurs peuvent affecter l'alignement des portes du compartiment de réfrigération, y compris le sol sur lequel le réfrigérateur est installé et la quantité d'aliment (charge) dans les portes. Si les parties supérieures des portes du compartiment de réfrigération ne sont pas alignées, utilisez une clé Allen de 6,3 mm (1/4 po) pour ajuster les portes gauche et droite. La vis de réglage se trouve sur le côté inférieur gauche ou droit de la porte. Ouvrez la porte du congélateur pour accéder à cette vis.

ENTRETIEN

Avant de faire appel à un technicien, parcourez les conseils de dépannage donnés dans ce manuel. Si nécessaire, une visite par un technicien de service peut être prévue en nous contactant en ligne sur GEAppliances.ca ou par téléphone au 800.561.3344.

Mythe ou réalité

Mythe ou réalité ?	Réponse	Explication
Les poignées de porte du réfrigérateur peuvent être facilement resserrées.	VRAI	Si les poignées de porte sont lâches ou s'il y a un espace vide au niveau de la poignée, celle-ci peut être ajustée à l'aide d'un clé Allen d' 1/8 po sur les vis de réglage situées sur les extrémités des poignées.
Il peut y avoir des problèmes d'odeur et de goût avec votre glace.	VRAI	Après la mise en marche de la machine à glaçons, jetez les premières 24 heures de production de glace pour éviter tous problème d'odeur et de goût.
Je peux effectuer des réglages précis des portes du compartiment de réfrigération pour les aligner.	VRAI	Si les portes du compartiment de réfrigération ne sont pas alignées, utilisez une clé Allen d' ¼ po pour ajuster la porte de droite. La vis de réglage est située au bas de les portes gauche et droite. Ouvrez la porte du congélateur pour y accéder.
Les poignées de porte doivent toujours être retirées pour l'installation.	MYTHE	Si les portes doivent être retirées ou si le réfrigérateur passe facilement dans les ouvertures, ne retirez pas les poignées. Ajustez les poignées qui sont lâches ou s'il y a un espace vide au niveau de celles-ci, en ajustant les vis de réglage à chaque extrémité des poignées.
Les portes doivent toujours être retirées pour l'installation.	MYTHE	Consultez le tableau au verso de ces instructions. Les portes doivent uniquement être enlevées lorsque cela est nécessaire pour prévenir les dommages provoqués par des ouvertures trop étroites ou pour accéder à l'emplacement final.
Les portes du réfrigérateur qui ne ferment pas après l'installation peuvent être ajustées pour qu'elles ferment correctement.	VRAI	Le mécanisme de la porte fonctionne mieux si celle-ci est installée à 90°. Si elle est installée à 180°, retirez la porte à partir de la charnière centrale puis ouvrez la porte à 180° avant de la réinstaller. Consultez la section <i>Réinstallation des portes du réfrigérateur</i>
Les roues arrière peuvent être ajustées.	MYTHE	Lorsque vous purgez l'air du système, vérifiez l'absence de fuites au niveau de toutes les connexions. Vérifiez la connexion à l'alimentation en eau du domicile à l'arrière du réfrigérateur ainsi que la connexion de ce tuyau au niveau de la porte.
Vérifiez l'absence de fuites d'eau après avoir effectué tous les raccordements.	VRAI	Si le réfrigérateur a été stocké dans un environnement froid, il est possible que l'écran LCD mette un certain temps avant de donner un affichage correct. Laissez assez de temps pour que le réfrigérateur atteigne une température normale, l'affichage devrait alors être correct.
Tout résidu d'emballage peut être nettoyé à l'aide de n'importe quel détergent.	MYTHE	N'utilisez pas de cire, de javellisant ou de tout autre produit contenant du chlore sur les panneaux, les poignées de porte et les garnitures en acier inoxydable. Vérifiez ces instructions dans la section Nettoyage de l'extérieur du réfrigérateur pour plus de détails.

Garantie du réfrigérateur.



Toutes les réparations en vertu de la garantie sont fournies par nos Centres de Service d'Usine ou par un technicien autorisé Customer Care®. Pour prévoir une réparation, consultez notre site GEAppliances.com ou appelez le 800.GE.CARE5 (800.432.2737). Veuillez avoir votre numéro de série et votre numéro de modèle à portée de main lorsque vous appelez pour obtenir un service. **Au Canada, appelez le 800.561.3344.**

Agrafez votre facture ici. Pour bénéficier du service de réparation sous garantie, une preuve de la date d'achat initial est nécessaire.

Pour le diagnostic, la réparation de votre réfrigérateur peut nécessiter l'utilisation du port de données embarqué. Celui-ci permet au technicien de réparation GE Appliances de diagnostiquer rapidement des problèmes avec votre appareil. Il permet également à GE Appliances d'améliorer ses produits en fournissant à ces derniers des informations sur votre appareil. Si vous ne voulez pas que les données de votre appareil soient envoyées à GE Appliances, veuillez demander à votre technicien de NE PAS soumettre les données à GE Appliances pendant la réparation.

Pendant la période de garantie de :	GE Appliances remplacera :
Un An A compter de la date d'achat initial	Toute pièce du réfrigérateur qui s'avère défectueuse en raison d'un défaut de matériau ou de fabrication. Pendant la validité de la présente garantie limitée d'un an, GE Appliances fournira également gratuitement la main d'œuvre et le service pour réparer la pièce défectueuse.
Trente jours (filtre à eau, si inclus) A compter de la date d'achat initial	Toute pièce de la cartouche filtrante qui ne fonctionne pas à cause d'un vice de matériau ou de main d'œuvre. Pendant la validité de la présente garantie limitée de 30 jours , GE Appliances fournira gratuitement une cartouche filtrante de remplacement.
SEULEMENT MODÈLES GE PROFILE™	
Cinq Ans A compter de la date d'achat	Toute pièce du système fermé du réfrigérateur (compresseur, condenseur, évaporateur et tous les tuyaux de raccordement) qui s'avère défectueuse en raison d'un défaut de matériau ou de fabrication. Pendant la validité de la présente garantie limitée de cinq ans , GE Appliances fournira également gratuitement la main d'œuvre et le service pour réparer la pièce défectueuse dans le système fermé du réfrigérateur.

Ce qui n'est pas couvert par GE Appliances :

- Les déplacements à votre domicile pour vous expliquer l'utilisation de ce produit
- Une installation, livraison ou maintenance défectueuse.
- Une panne du produit par abus d'utilisation, par mauvaise utilisation, par modification ou s'il a été utilisé dans un but autre que celui pour lequel il a été fabriqué.
- Détérioration des aliments.
- Le remplacement des fusibles ou le réenclenchement du disjoncteur du domicile.
- Les dommages à la finition, tels que rouille de surface, ternissement ou petites taches, non signalés dans un délai de 48 heures suivant la livraison.
- Le remplacement de la cartouche filtrante, si incluse, à cause d'une pression d'eau en dehors de la gamme de fonctionnement recommandée ou à cause d'une concentration excessive de sédiments dans l'eau d'alimentation.
- Le remplacement des ampoules, si incluses, ou la cartouche filtrante, si incluse, et dans des conditions autres que celles susmentionnées.
- Tout dommage causé par accident, incendie, inondation ou une catastrophe naturelle.
- Tout dommage fortuit ou indirect causé par des défauts éventuels de cet appareil.
- Le service s'il est impossible d'avoir accès au produit.
- Dommages causés par l'utilisation d'un filtre qui n'est pas de marque GE Appliances.

EXCLUSION DES GARANTIES TACITES - Votre recours exclusif est l'échange du produit suivant les modalités de la Garantie Limitée. Toutes garanties tacites, y compris les garanties de valeurs marchandes ou d'adéquation à des fins particulières, sont limitées à une durée d'un an ou à la durée la plus courte autorisée par la loi.

Pour les clients des États-Unis : Cette garantie est étendue à l'acheteur d'origine et aux propriétaires suivants pour tout produit acheté pour une utilisation domestique aux États-Unis. Si le produit est installé dans une région où ne se trouve aucun réparateur autorisé GE Appliances, vous devrez peut-être assumer les frais de transport ou apporter l'appareil à un centre de service autorisé GE Appliances. En Alaska, cette garantie exclut le coût d'expédition ou de dépannage à votre domicile.

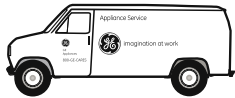
Certains états n'acceptent pas d'exclusion ou de limites aux dommages indirects consécutifs. Certains droits particuliers vous sont dévolus en vertu de la présente garantie et peuvent s'accompagner d'autres droits qui varient selon votre lieu de résidence. Pour connaître vos droits juridiques, veuillez consulter le bureau local ou le bureau d'état des affaires aux consommateurs ou le Procureur Général de votre état.

Garant : États-Unis : General Electric Company, Louisville, KY 40225

Cette garantie est étendue à l'acheteur d'origine et aux propriétaires suivants pour tout produit acheté aux Canada pour une utilisation domestique aux Canada. Le service à domicile en vertu de la garantie sera fourni dans les régions où il est disponible et où Mabe estime raisonnable de le fournir.

Garant Canada: MC Commercial, Burlington, Ontario, L7R 5B6

Certificat de garantie de la cartouche RPWFE du filtre à eau



Communiquez avec nous sur www.geapplianceparts.com, ou appelez le 800.GE.CARES.

Agrafez votre facture ici. Pour obtenir le service sous garantie, une preuve de la date d'achat initial est nécessaire.

Pendant la période de garantie de :	Nous remplacerons gratuitement :
Trente jours A compter de la date d'achat initial	Toute pièce de la cartouche filtrante qui s'avère défectueuse en raison d'un défaut de matériau ou de fabrication pendant cette période de garantie de trente jours.*

Ce qui n'est pas couvert :

- Les déplacements à votre domicile pour vous expliquer l'utilisation de ce produit.
- Une installation incorrecte.
- Une panne du produit par abus d'utilisation, par mauvaise utilisation, par modification ou s'il a été utilisé dans un but autre que celui pour lequel il a été fabriqué, ou s'il a été utilisé à des fins commerciales.
- Le remplacement des fusibles ou le réenclenchement du disjoncteur du domicile.
- Le remplacement de la cartouche filtrante à cause d'une pression d'eau en dehors de la gamme de fonctionnement recommandée ou à cause d'une concentration excessive de sédiments dans l'eau d'alimentation.
- Tout dommage causé par accident, incendie, inondation ou catastrophe naturelle.
- Tout dommage fortuit ou indirect causé par des défauts éventuels de cet appareil.

Cette garantie est étendue à l'acheteur d'origine et aux propriétaires suivants pour tout produit acheté pour une utilisation domestique aux Etats-Unis. En Alaska, cette garantie exclut le coût d'expédition ou de dépannage à votre domicile.

Certains états n'acceptent pas d'exclusion ou de limites aux dommages indirects consécutifs. Certains droits particuliers vous sont dévolus en vertu de la présente garantie et peuvent s'accompagner d'autres droits qui varient d'un état à un autre. Pour connaître vos droits, veuillez consulter votre bureau local ou le bureau d'état des affaires aux consommateurs ou le Procureur Général de votre état.

Pour les achats effectués en Iowa : Ce formulaire doit être signé et daté par l'acheteur et le vendeur avant la réalisation de cette vente.

Ce formulaire doit être conservé au dossier par le vendeur pendant une période minimale de deux ans.

Acheteur :

Nom _____

Adresse _____

Ville _____ État _____ Code postal _____

Signature _____ Date _____

Vendeur :

Nom _____

Adresse _____

Ville _____ État _____ Code postal _____

Signature _____ Date _____

* Si votre pièce GE s'avère défectueuse en raison d'un défaut de fabrication dans les trente jours à compter de la date d'achat initiale, nous vous fournirons gratuitement une nouvelle pièce, ou, à notre gré, une pièce reconstruite. Renvoyez la pièce défectueuse au fournisseur de pièces auprès duquel cette pièce a été achetée avec une copie de la preuve d'achat de la pièce. Si la pièce est défectueuse et n'indique aucun signe d'une utilisation abusive, celle-ci sera échangée. La garantie ne couvre pas la défaillance de pièces qui sont endommagées en votre possession, sont utilisées de façon abusive ou ont été mal installées. Elle ne couvre pas les frais de retour de la pièce au fournisseur auprès duquel elle a été achetée. Elle ne couvre pas non plus le coût de main d'œuvre pour retirer ou installer cette pièce pour diagnostiquer la panne. Elle ne couvre pas les pièces utilisées dans les produits à usage commercial, sauf dans le cas des équipements de climatisation. En aucun cas, GE ne peut être tenu responsable des dommages indirects. Garant : General Electric Company

EXCLUSION DES GARANTIES TACITES : Votre recours exclusif est l'échange du produit suivant les modalités de la Garantie Limitée. Toutes garanties tacites, y compris les garanties de valeurs marchandes ou d'adéquation à des fins particulières, sont limitées à une durée de six mois ou à la durée la plus courte autorisée par la loi.



GE
Appliances
Appliance Park
Louisville, KY 40225
gewaterfilters.com

Fiche technique de performance

Modèle : GE RPWFE

Utilisez une cartouche de rechange RPWFE.

La concentration des substances mentionnées dans l'eau pénétrant dans le système a été réduite à une valeur inférieure ou égale à la limite permisible relative à l'eau quittant le système, selon les spécifications des normes NSF/ANSI 42 et 53. Le système a été mis à l'essai et homologué par NSF International conformément aux normes NSF/ANSI 42 et 53 relatives à la réduction des substances énumérées ci-dessous.

Capacité 170 gal. (643,5 litres). Réduction des contaminants déterminée par essai NSF.

Substance testée pour réduction	Influent moyen	Concentr. d'essai selon NSF	Réduction moy. (%)	Concentr. moyenne	Concentr max. permisible	Spéc. de réduction NSF	Rapport d'essai NSF
Goût et odeur chlore	2,0 mg/L	2,0 mg/L ± 10%	97,4%	0,05 mg/L	N/A	≥50%	J-00102044
Particules de Classe I, ≥0.5 to < 1.0 µm	7,633,333 pts/mL	Au moins 10 000 particules/mL	99,0%	71,850 pts/ml	N/A	≥85%	J-00106249
Amiante	109 MFL	10 ⁷ to 10 ⁸ fibres/L ; fibres sup. à 10µm de long	99,99%	<1 MFL	N/A	≥99%	J-00102069
Atrazine	0,009 mg/L	0,009 mg/L ± 10%	94,4%	0,0005 mg/L	0,003 mg/L	N/A	J-00102058
Benzène	0,016 mg/L	0,015 mg/L ± 10%	96,4%	0,001 mg/L	0,005 mg/L	N/A	J-00102065
Carbofuran	0,08 mg/L	0,08 mg/L ± 10%	98,8%	0,001 mg/L	0,04 mg/L	N/A	J-00102059
Oocystes*	104,750 oocystes/L	Minimum 50,000 cysts/L	99,99%	3 cyst/L	N/A	≥99,95%	J-00102057
Plomb pH @6.5	0,140 mg/L	0,15 mg/L ± 10%	99,3%	0,001 mg/L	0,010 mg/L	N/A	J-00102052
Lead pH @8.5	0,158 mg/L	0,15 mg/L ± 10%	98,3%	0,002 mg/L	0,010 mg/L	N/A	J-00102053
Mercure @ pH 6.5	0,006 mg/L	0,006 mg/L ± 10%	91%	0,0003 mg/L	0,002 mg/L	N/A	J-00102054
Mercure @ pH 8.5	0,006 mg/L	0,006 mg/L ± 10%	88,3%	0,0007 mg/L	0,002 mg/L	N/A	J-00104087
Lindane	0,002 mg/L	0,002 mg/L ± 10%	99%	0,00002 mg/L	0,0002 mg/L	N/A	J-00102063
P-Dichlorobenzène	0,222 mg/L	0,225 mg/L ± 10%	99,8%	0,0005 mg/L	0,075 mg/L	N/A	J-00102067
Toxaphène	0,015 mg/L	0,015 mg/L ± 10%	93,5%	0,001 mg/L	0,003 mg/L	N/A	J-00102061
Réduction de 2, 4-D	0,218 mg/L	0,210 mg/L ± 10%	99,9%	0,0001 mg/L	0,07 mg/L	N/A	J-00102064
COV	0,278 mg/L	0,300 mg/L ± 10%	97,7%	0,0015 mg/L	N/A	≥95%	J-00102070

* D'après l'utilisation d'oocystes de *Cryptosporidium parvum*.

Les résultats de réduction pharmaceutique suivants n'ont pas été certifiés par NSF International. Ils ont été testés et vérifiés par un laboratoire indépendant du filtre, entraînant ainsi des fuites ou l'inondation.

Réduction de substance	Influent moyen	Concentr. d'essai selon NSF	Réduction moy. (%)	Concentr. moyenne	Concentr. max. permisible	Rapport d'essai NSF
Aténolol	1088 ng/L	N/A	99,5%	5,0 ng/L	N/A	J-00103221
Fluoxétine	845 ng/L	N/A	99,4%	5,0 ng/L	N/A	J-00103221
Ibuprofène	898 ng/L	N/A	98,8%	9,9 ng/L	N/A	J-00103726
Progestérone	945 ng/L	N/A	99,4%	5,5 ng/L	N/A	J-00103727
Triméthoprim	403 ng/L	N/A	99,5%	2,0 ng/L	N/A	J-00103221

Conditions d'application/Paramètres d'alimentation d'eau

Débit de service	0,5 gal./min. (1,89 l/min.)	Pression d'eau	25-120 psi (172- 827 kPa)
Alimentation d'eau	Eau potable	Température de l'eau	33° F - 100° F (0,6° C - 38° C)

Le rendement du produit sera conforme à ce qui est promis à condition que l'installation, l'entretien et le remplacement du filtre s'effectuent selon les recommandations du fabricant.

Remarque : Bien que les tests aient été réalisés dans des conditions de laboratoire. Cartouche de rechange : RPWFE. Pour une estimation du coût des pièces de rechange, veuillez composer le 1-800-626-2002 ou visitez notre site Web au www.geapplianceparts.com.



Pour réduire le risque associé à l'ingestion de contaminants :

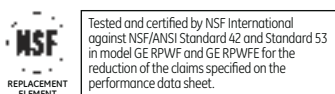
- **N'utilisez pas l'appareil avec de l'eau d'une qualité incertaine ou non potable sur le plan microbiologique sans une désinfection en amont et en aval** du système. Les systèmes homologués relativement à la réduction d'oocystes peuvent être utilisés avec de l'eau désinfectée pouvant contenir des oocystes filtrables. Numéro d'établissement EPA 070595-MEX-001.

AVIS

Pour réduire le risque de fuite ou d'inondation et pour garantir un rendement optimal du filtre :

- **Lisez et observez** les instructions d'utilisation avant l'installation et l'utilisation de ce système.
- L'installation et l'utilisation **DOIVENT** satisfaire tous les codes de plomberie locaux et nationaux.

- **Ne procédez pas à l'installation si la pression d'eau excède 120 psi (827 kPa).** Si votre pression d'eau excède 80 psi, vous devez poser une valve de limitation de pression. Faites appel à un plombier si vous avez des doutes sur la façon de mesurer votre pression d'eau.
- **Ne procédez pas à l'installation si une condition de coup de bélier est susceptible de survenir.** Si cette condition existe, vous devez poser un antibélier. Faites appel à un plombier si vous avez des doutes sur la manière d'identifier cette condition.
- **Ne procédez pas à l'installation sur des conduites d'eau chaude.** La température maximale de service de l'eau pour ce système de filtre est de 100 °F (38 °C).
- **Protégez le filtre contre le gel.** Drainez le filtre lorsque la température tombe sous 33 °F (0,6 °C).
- Remplacez la cartouche filtrante jetable tous les six mois, ou plus tôt si vous constatez une réduction appréciable du débit d'eau.
- L'omission de remplacer la cartouche filtrante jetable aux intervalles recommandés peut mener à une réduction du rendement du filtre et au fendillement du boîtier du filtre, entraînant ainsi des fuites ou l'inondation.



Soutien au consommateur.



Site Web appareils électroménagers GE

electromenagersge.ca

Vous avez une question ou vous avez besoin d'aide pour votre appareil électroménager? Contactez-nous par Internet au site electromenagersge.ca 24 heures par jour, tous les jours de l'année.



Service de réparations

1.800.561.3344

Service de réparations GE Appliances est tout près de vous.
Pour faire réparer votre électroménager GE Appliances, il suffit de nous téléphoner.



Studio de conception réaliste

Sur demande, GE Appliances peut fournir une brochure sur l'aménagement d'une cuisine pour les personnes à mobilité réduite.

Écrivez: Directeur, Relations avec les consommateurs, Mabe Canada Inc.
Bureau 310, 1 Factory Lane
Moncton, N.B. E1C 9M3

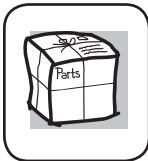


Prolongation de garantie

electromenagersge.ca

Achetez un contrat d'entretien GE Appliances avant que votre garantie n'expire et bénéficiez d'un rabais substantiel. Ainsi le service après-vente GE Appliances sera toujours là après expiration de la garantie.

Visitez notre site Web ou appelez-nous au 1.800.461.3636.



Pièces et accessoires

Ceux qui désirent réparer eux-mêmes leurs électroménagers peuvent recevoir pièces et accessoires directement à la maison (cartes VISA, MasterCard et Discover acceptées).

Les directives stipulées dans le présent manuel peuvent être effectuées par n'importe quel utilisateur. Les autres réparations doivent généralement être effectuées par un technicien qualifié. Soyez prudent, car une réparation inadéquate peut affecter le fonctionnement sécuritaire de l'appareil.

Vous trouverez dans les pages jaunes de votre annuaire le numéro du Centre de service Mabe le plus proche. Autrement, appelez-nous au 1.888.261.3055.



Contactez-nous

Si vous n'êtes pas satisfait du service après-vente dont vous avez bénéficié :

Premièrement, communiquez avec les gens qui ont réparé votre appareil.

Ensuite, si vous n'êtes toujours pas satisfait envoyez tous les détails—numéro de téléphone compris—au

Directeur, Relations avec les consommateurs, Mabe Canada Inc.
Bureau 310, 1 Factory Lane
Moncton, N.B. E1C 9M3



Inscrivez votre appareil électroménager

Inscrivez votre appareil électroménager en direct, aussitôt que possible. Cela améliorera nos communications et notre service après-vente. Vous pouvez également nous envoyer par la poste le formulaire d'inscription joint à votre documentation.