



Portable Room AIR CONDITIONER

IMPORTANT SAFETY INFORMATION 3

USING THE AIR CONDITIONER 4

CARE AND CLEANING 7

INSTALLATION INSTRUCTIONS 9

TROUBLESHOOTING 13

WIFI SETUP 14

LIMITED WARRANTY15

CONSUMER SUPPORT16

OWNER'S MANUAL AND INSTALLATION INSTRUCTIONS

APCA10
APCA11

Before you begin (on some models)

Record the GE module number and password for wifi setup. To locate this information, see pages 13 and 14.

GE Module Number # _____

Password # _____

Write the model and serial numbers here:

Model # _____

Serial # _____

Find these numbers on a label on the side of the air conditioner.

THANK YOU FOR MAKING GE APPLIANCES A PART OF YOUR HOME.

Whether you grew up with GE Appliances, or this is your first, we're happy to have you in the family.

We take pride in the craftsmanship, innovation and design that goes into every GE Appliances product, and we think you will too. Among other things, registration of your appliance ensures that we can deliver important product information and warranty details when you need them.

Register your GE appliance now online. Helpful websites and phone numbers are available in the Consumer Support section of this Owner's Manual. You may also mail in the pre-printed registration card included in the packing material.



GE APPLIANCES

IMPORTANT SAFETY INFORMATION

READ ALL INSTRUCTIONS BEFORE USING THE APPLIANCE

IMPORTANT SAFETY INSTRUCTIONS

⚠ WARNING To reduce the risk of fire, electrical shock, injury to persons, or damage when using the air conditioner, follow basic precautions, including the following:

- Read all of the instructions before using this appliance.
- Plug into a grounded 3 prong outlet.
- Do not remove ground prong.
- Do not use an adapter.
- Do not use an extension cord.
- Do not operate the air conditioner if it has a damaged cord or plug, if it is not working properly, or if it has been damaged or dropped.
- The air conditioner should be serviced only by qualified service personnel. Call an authorized service company for examination, repair, or adjustment.

- Disconnect power before servicing.
- Disconnect power before cleaning.

NOTE: Turning off power by pressing the Power button does NOT disconnect the appliance from the power supply.

- Do not install or use the air conditioner in any area where the atmosphere contains combustible gases or where the atmosphere is contaminated. Avoid any chemicals coming in contact with your air conditioner.
- Do not store anything directly on top of the air conditioner.
- Use two or more people to move and install air conditioner.
- Never operate the air conditioner without the filters in place.
- Do not use the air conditioner near a bathtub, shower or wash basin or other wet area.

WARNING

Risk of Fire or Explosion. This unit contains flammable refrigerant. Additional safety precautions must be followed.



- Do not use means to accelerate the defrosting process or to clean, other than those recommended by the manufacturer.
- The appliance shall be stored in a room without continuously operating ignition sources (for example: open flames, an operating gas appliance or an operating electric heater).
- Do not pierce or burn refrigerant tubing. Be aware that refrigerants may not contain an odor.
- Keep ventilation openings clear of obstruction.
- When handling, installing, and operating the appliance, care should be taken to avoid damage to

the refrigerant tubing.

- Do not drill holes in the unit.
- Maintenance, cleaning, and service should only be performed by technicians properly trained and qualified in the use of flammable refrigerants.
- GE Appliances does not support any servicing of the air conditioner.
- Dispose of air conditioner in accordance with Federal and Local Regulations. Flammable refrigerants require special disposal procedures. Contact your local authorities for the environmentally safe disposal of your air conditioner.

⚠ WARNING How to Insert the Batteries in the Remote Control

- Remove the battery cover by sliding it according to the arrow direction.
- Insert new batteries, making sure that the (+) and (-) of battery are installed correctly.
- Reattach the cover by sliding it back into position.

NOTES:

- Use 2 “AAA” (1.5 volt) alkaline batteries. Do not use rechargeable batteries
- Remove the batteries from the remote control if the system is not going to be used for a long time.
- Do not mix old and new batteries. Do not mix alkaline, standard (carbon-zinc) or rechargeable (ni-cad, ni-mh, etc) batteries.

⚠ WARNING

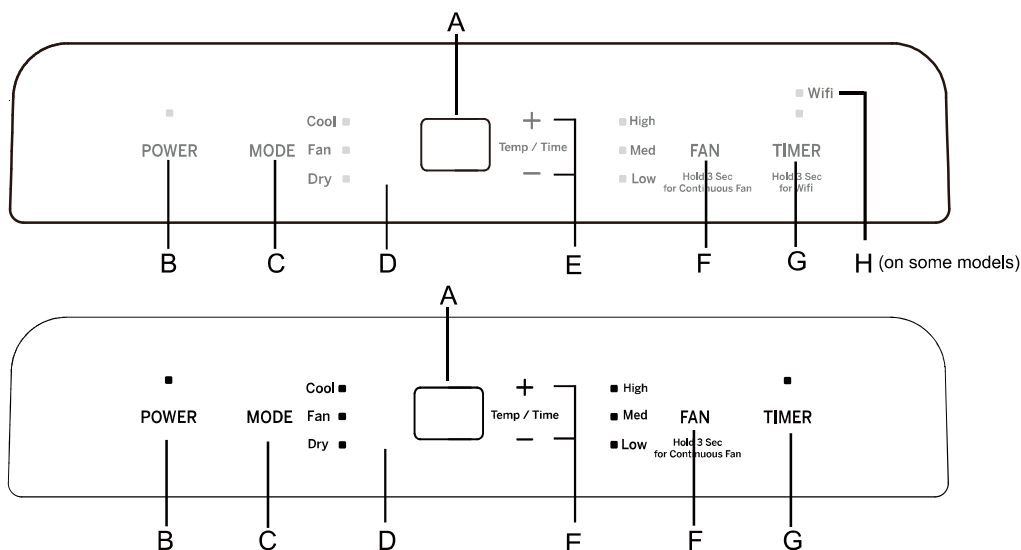
Caution for Ingestion. The battery may cause suffocation if swallowed by children.

READ AND SAVE THESE INSTRUCTIONS

Controls

Features and appearance will vary.

Lights next to the touch pads on the air conditioner control panel indicate the selected settings.



Controls

A. CONTROL PANEL DISPLAY

Displays the Set Temperature in degrees Fahrenheit. The corresponding indicator light will illuminate.

B. Power Button

Turns ON/OFF power to the air conditioner.

NOTE: Turning off power by pressing the **Power** button does NOT disconnect the appliance from the power supply.

- Press the **Power** button. The Power indicator will illuminate.

C. Mode Button

Press the **Mode** button to toggle among the operating options. The corresponding indicator will illuminate:

- Cool** – Cools the room to the set temperature
- Dry** – Reduces the humidity in the room
- Fan** – Circulates the air in the room without cooling.

D. Remote Control Signal Receiving Window

Aim the Remote Control at this window so the Control will receive the signal.

E. Up and Down Arrow Buttons

Adjusts the Temperature or Hours in Time Delay.

To Set the Temperature:

The temperature can be set between 64°F and 86°F (18°C and 30°C) when the air conditioner is in Cool mode.

1. Press the **Mode** button until the Cool mode is selected.
2. Press the **Up Arrow** or **Down Arrow** buttons to select the Temperature.

NOTE: The temperature cannot be set when the air conditioner is in either Fan or Dry mode.

F. Fan Speed Button

The fan speed can be adjusted from Low speed, Medium speed, to High speed when the air conditioner is either in Cool or Fan mode.

NOTE: The fan speed cannot be adjusted when the unit is in Dry mode.

- Press the **Fan Speed** button to toggle among the three speeds. The corresponding fan speed indicator will illuminate.

1. Continuous Fan Mode

To activate continuous fan mode, press and hold **Fan Speed** button for 3 seconds. “C1” will show on display for continuous fan mode. When set temperature is achieved, indoor fan will continue to run in Cool mode. (While in Heat and Dry mode fan will continue to cycle off with compressor.)

To cancel continuous fan mode, press and hold **Fan Speed** button for 3 seconds. “C2” will show on display. **NOTE:** Activating and canceling continuous fan mode can only be done while unit is off or in cool mode. This function cannot be selected while in other modes.

G. Timer Button

Program a time from (1-hour to 24-hours) for the air conditioner to turn Off or On. When a Time Delay is programmed, the Timer indicator light will illuminate.

While the air conditioner is operating:

1. Press the **Timer** button.
2. Press the **Up/Down arrow** buttons to select the number of hours you want the air conditioner to continue to operate before turning Off.

NOTE: Wait approximately 5 seconds for the Turn-Off time to be saved.

While the air conditioner is off:

1. Press the **Timer** button.
2. Press the **Up/Down arrow** buttons to select the number of hours you want the air conditioner to remain off before turning On.

NOTE: Wait approximately 5 seconds for the Turn-On time to be saved.

To cancel the timer:

- Press the **Timer** button once, the hours remaining will flash, press the **Timer** button again and the timer will be canceled.

H. WiFi Connect Pad (on some Models)

1. Press and hold the **Timer** button for 3 seconds to connect the app or disconnect the app.
2. Connect your air conditioner to WiFi router. Refer to the “WiFi Set up” section for more information.

Controls

Set Temperature will be shown when unit is in operation.

Cool Mode

Use the COOL mode for cooling.

To set the COOL mode:

1. Press the **MODE** pad until the **COOL** indicator light is lit.
2. Press the **FAN** pad to set HIGH, MEDIUM, or LOW fan speed.
3. Press **+** or **-** to set the desired temperature between 64°F and 86°F in 1°F increments.

After settings have been made, the display will not change back to show the room temperature.

The temperature control is used to maintain the room temperature. The compressor will cycle on and off to keep the room at the set level of comfort. Set the temperature control at a lower number and the indoor air will become cooler. Set the temperature control at a

higher number and the indoor air will become warmer.
NOTE: If the air conditioner is off and is then turned on while set to COOL, it will take approximately 3 minutes for the compressor to start and cooling to begin.

Cooling Descriptions

For Normal Cooling—Select the COOL mode and HIGH, MEDIUM, or LOW fan speed with a middle set temperature.

For Maximum Cooling—Select the COOL mode and HIGH fan speed with a lower set temperature.

For Quieter & Nighttime Cooling—Select the COOL mode and LOW fan speed with a middle set temperature.

NOTE: If you switch from COOL or DRY mode setting to OFF, wait 3 minutes before restarting.

DRY Mode—Dehumidification

Use the DRY mode to provide dehumidification only. The fan will run at a fixed speed at this setting, so a fan speed cannot be set. Keep windows and doors closed for the best dehumidifying effects.

To set the DRY mode:

- Press the **MODE** pad until the DRY indicator light is lit. In the DRY mode, a set temperature will not be displayed. After DRY mode has been set, the display will change back to show the room temperature.

NOTE: If you switch from a DRY setting to OFF or to a

fan setting, wait at least 3 minutes before switching back to a DRY setting.

If using the unit in the DRY mode as a dehumidifier for an extended time.

1. Unplug the power cord.
2. Connect a ½" Outer diameter flexible drain hose to the upper drain port and drain to floor drain.
3. Reconnect the power cord and press the MODE pad until the DRY indicator light is lit.

FAN Mode

Use the FAN mode to provide air circulation and filtering without cooling.

To set the FAN mode:

- Press the FAN pad until the desired indicator light for HIGH, MEDIUM, or LOW fan speed is lit.

Since fan only settings do not provide cooling, a set temperature will not be displayed. After FAN speed has been set, the display will change back to show the room temperature. The exhaust hose and window kit do not need to be installed when operating in fan mode.

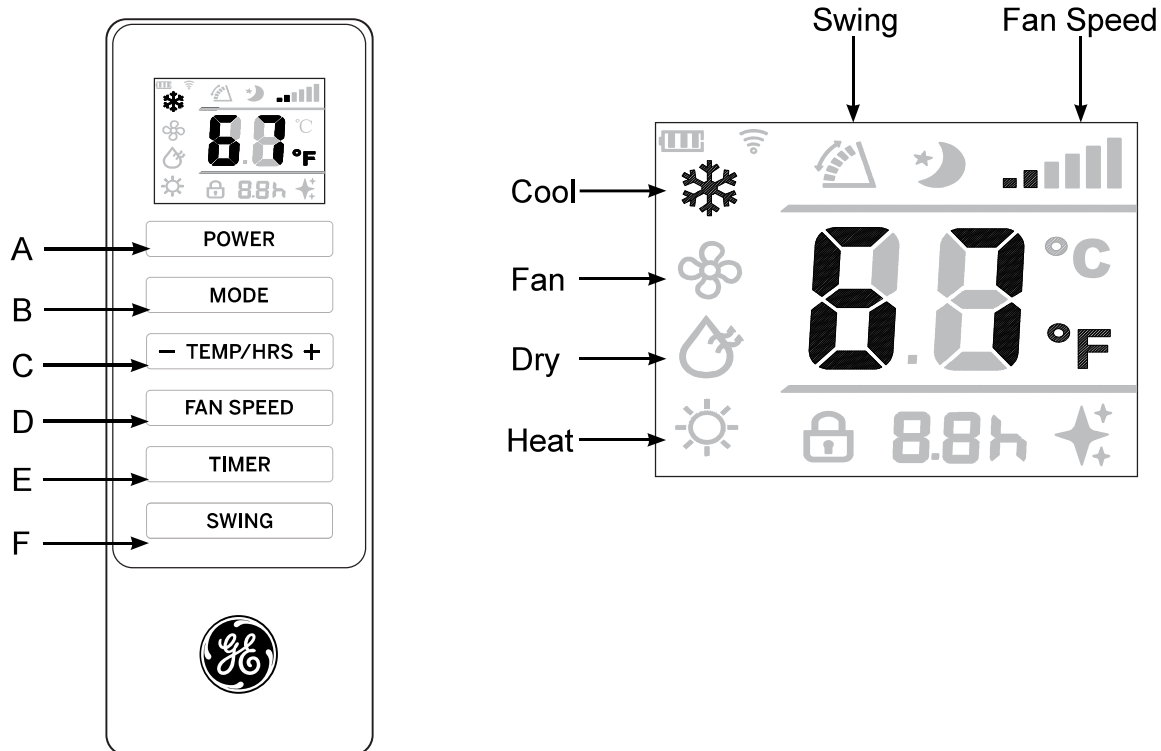
Power Outage Recovery Feature

In the case of a power outage or interruption, the unit will automatically re-start in the settings last used after the power is restored.

NOTE: If the TIMER was set before the power outage, it will need to be reset after power is restored.

Controls

Features and appearance may vary.
Icons on the remote control indicate the selected settings.



REMOTE CONTROL

1. Insert the two batteries (provided).
2. Aim the remote control at the signal receiver on the control panel to operate the air conditioner.

A. Power

Turns ON/OFF power to the air conditioner.

NOTE: Turning off power by pressing the Power button does NOT disconnect the appliance from the power supply.

- Press the Power button. The Power indicator will illuminate.

B. Mode

Press the Mode button to toggle among the operating options. The corresponding indicator will illuminate:

- Heat (on some models) - Heats the room to the set temperature
- Cool – Cools the room to the set temperature
- DRY – Reduces the humidity in the room
- Fan – Circulates the air in the room without cooling

C. Temperature

Adjusts the Temperature or Hours in Time Delay.

To Set the Temperature:

The temperature can be set between 64°F and 86°F (18°C and 30°C) when the air conditioner is in Cool mode.

1. Press the Mode button until the Cool mode is selected.
2. Press the Up Arrow or Down Arrow buttons to select the Temperature.

NOTE: The temperature cannot be set when the air conditioner is in either Fan or DRY mode.

D. Fan Speed

The fan speed can be adjusted from Low, Medium, to High speed when the air conditioner is in operation.

NOTE: The fan speed cannot be adjusted when the unit is in DRY mode.

- Press the Fan Speed button to toggle among the three speeds. The corresponding fan speed indicator will illuminate.

E. Timer

Program a time from (1-hour to 24-hours) for the air conditioner to turn Off or On. When a Time Delay is programmed, the Timer indicator light will illuminate.

F. Swing Button

The louvers on your portable air conditioner will open automatically (do not pry them open or push them shut). Use the Swing Button on your remote to adjust the louvers in the position you would like them to be in, or to operate in Swing mode the louvers will continue to move up and down.

Care and Cleaning

CLEANING

⚠ WARNING



Electrical Shock Hazard

Disconnect power before cleaning.

Failure to do so can result in death or electrical shock.

1. Unplug or disconnect power.
2. Use only a soft cloth dampened with water to clean the cabinet.

NOTE:

- Do not use a liquid or spray cleaner to clean the air conditioner.
 - DO NOT use chemicals, abrasives, ammonia, chlorine bleach, concentrated detergents, solvents or scouring pads. Some of these chemicals/items may damage and/or discolor your air conditioner.
3. Dry thoroughly with a soft cloth.
 4. Plug in or reconnect power.

Air Filter

The air filters should be cleaned at least every two weeks for your unit to operate at optimum efficiency.

⚠ CAUTION

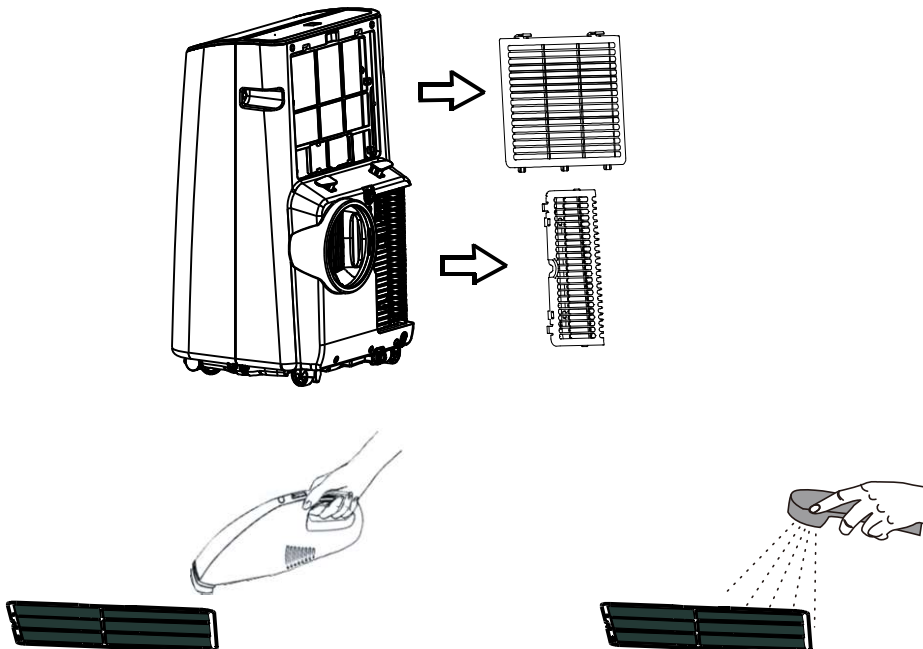
DO NOT operate the air conditioner without a filter because dirt and lint will clog it and reduce performance.

To remove:

1. Unplug or disconnect power.
2. Pull to remove upper filter panel.
3. Wash or vacuum the dust from the air filters.

NOTE: If washed, gently shake the filter to remove the excess water and dust particles trapped in the filter.

4. Reinstall the filters.
5. Plug in or reconnect power.



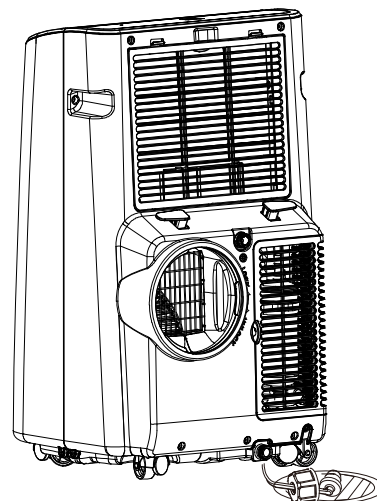
Care and Cleaning

Internal Water Tank

The Water Full indicator (“FL” on the control panel display) illuminates when the internal water tank has filled with condensed water.

To Empty the Internal Water Tank:

1. Unplug or disconnect power.
2. Place a shallow 1 quart or larger pan (not included) below the lower drain located on the back (near the bottom) of the air conditioner.
3. Remove the cap and the rubber plug and drain the water tank.
4. Re-insert the drain plug and screw the cap snugly into place.
5. Plug in or reconnect power.



Storage

If the unit is not being used for a long period of time:

To Empty the Internal Water Tank:

1. Unplug or disconnect power.
2. Drain the water from the water tank. (See “Internal Water Tank section” above.)

3. Use the original packaging to repack the unit to avoid a buildup of dust or dirt.

4. Store the air conditioner in a cool, dry location.

How to Insert the Batteries in the Remote Control

1. Remove the battery cover by sliding it according to the arrow direction.
2. Insert new batteries, making sure that the (+) and (–) of battery are installed correctly.
3. Reattach the cover by sliding it back into position.

NOTES:

- Use 2 “AAA” (1.5 volt) alkaline batteries. Do not use rechargeable batteries.
- Remove the batteries from the remote control if the system is not going to be used for a long time.
- Do not mix old and new batteries. Do not mix alkaline, standard (carbon-zinc) or rechargeable (ni-cad, ni-mh, etc) batteries.