

Installation Instructions

Gas Cooktops

Questions? Call us at 1.800.432.2737 or visit GEAppliances.com.
In Canada, call 1.800.561.3344 or visit GEAppliances.ca.

IN THE COMMONWEALTH OF MASSACHUSETTS

- This product must be installed by a licensed plumber or gas fitter.

- When using ball type gas shut-off valves, they shall be the T-handle type.
- A flexible gas connector, when used, must not exceed 5 feet.

⚠ WARNING

FIRE OR EXPLOSION HAZARD

If the information in these instructions is not followed exactly, a fire or explosion may result causing property damage, personal injury or death.

Installation must be performed by a qualified installer.

Read these instructions completely and carefully.

Installation of this product must conform with local codes, or in the absence of local codes, with the National Fuel Gas Code, ANSI Z223.1/NFPA 54, latest edition. In Canada, installation must conform with the current Natural Gas Installation Code, CAN/CGA-B149.1 or the current Propane Installation Code, CAN/CGA-B149.2, and with local codes where applicable. This product has been design-certified by UL

according to ANSI Z21.1, latest edition and Canadian Gas Association according to CAN/CGA-1.1 latest edition.

When installing a gas appliance the use of old flexible connectors can cause gas leaks and personal injury. Always use a **NEW** flexible connector.

Leak testing of the appliance shall be conducted according to the manufacturer instructions.

The cooktop must be electrically grounded in accordance with local codes or, in the absence of local codes, in accordance with the National Electrical Code (ANSI/NFPA 70, latest edition). In Canada, electrical grounding must be in accordance with the current CSA C22.1 Canadian Electrical Code Part 1 and/or local codes. See Electrical Connections in this section.

Do not install this product with an air curtain hood or other cooktop hood that operates by blowing air down on the cooktop. This airflow may interfere with operation of the gas burners resulting in fire or explosion hazard.

FOR YOUR SAFETY

⚠ WARNING

Before beginning the installation, switch power off at service panel and lock the service disconnecting means to prevent power from being switched on accidentally. When the service disconnecting means cannot be locked, securely fasten a prominent warning device, such as a tag, to the service panel.

TOOLS YOU WILL NEED



Phillips screwdriver



Flat-blade screwdriver



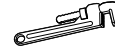
Pencil and ruler



Safety Glasses



Open-end or adjustable wrench



Pipe wrenches (2) (one for backup)



1/8" Drill Bit & Electric or Hand Drill



Saber Saw

MATERIALS YOU MAY NEED

- Gas line shut-off valve
- Pipe joint sealant or UL-approved pipe thread tape with Teflon* that resists action of natural and propane gases.
- Flexible metal appliance connector (1/2" I.D.). A 5-foot length is recommended for ease of installation but other lengths are acceptable. Never use an old connector when installing a new cooktop.
- Flare union adapter for connection to gas supply line (3/4" or 1/2" NPT x 1/2" I.D.).
- Flare union adapter for connection to pressure regulator on cooktop (1/2" NPT x 1/2" I.D.).
- Liquid leak detector or soapy water.

*Teflon: Registered trademark of DuPont

BEFORE YOU BEGIN

IMPORTANT — Save these instructions for local inspector's use.

IMPORTANT — Observe all governing codes and ordinances.

IMPORTANT — Remove all packing material and literature before connecting gas and electrical supply to cooktop.

IMPORTANT — To avoid damage to your cabinets, check with your builder or cabinet supplier to make sure that the materials used will not discolor, delaminate or sustain other damage. This product has been designed in accordance with the requirements of UL and CSA International and complies with the maximum allowable wood cabinet temperatures of 194°F (90°C).

Note to Installer — Be sure to leave these instructions with consumer.

Note to consumer — Keep these instructions for future reference.

Service — The electrical diagram is located inside the cooktop.

Proper installation is the responsibility of the installer.

Product failure due to improper installation is not covered under warranty.

Mobile Home - Additional Installation Requirements

The installation of this product must conform to the Manufactured Home Construction and Safety Standard, Title 24 CFR, Part 3280 (formerly the Federal Standard for Mobile Home Construction and Safety, Title 24, HUD Part 280). When such standard is not applicable, use the Standard for Manufactured Home Installations, ANSI A225.1/NFPA 501A or with local codes.

In Canada, the installation of this product must conform with the current standards CAN/CSA-A240-latest edition, or with local codes.

When this cooktop is installed in a mobile home, it must be secured during transit. Any method of securing the cooktop is adequate as long as it conforms to the standards listed above.

DIMENSIONS AND CLEARANCES

Provide adequate clearances between the cooktop and adjacent combustible surfaces. These dimensions must be met for safe use of your cooktop.

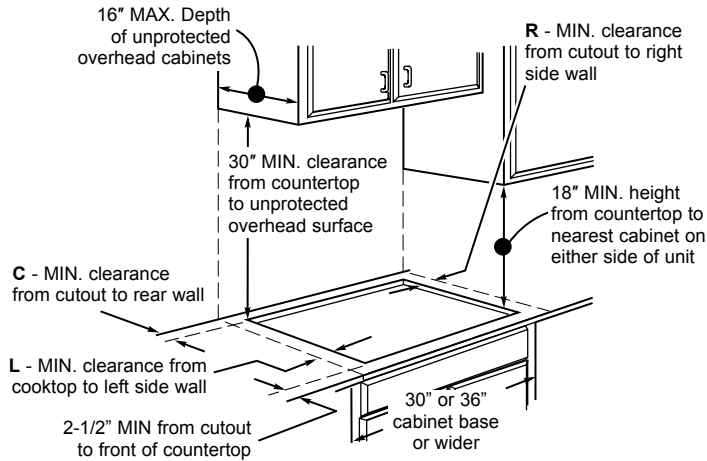
Allow 30" (76.2 cm) minimum clearance between burners and bottom of unprotected wood or metal cabinet, or allow a 24" (61 cm) minimum when bottom of wood or metal cabinet is protected by no less than 1/4" (6.4 mm) thick flame-retardant millboard covered

with no less than No. 28 MSG sheet metal (.015" [.38 mm] thick), .015" (.38 mm) thick stainless steel, .025" (0.64 mm) aluminum or .020" (0.5 mm) copper.

Installation of a listed microwave oven or cooking appliance over the cooktop shall conform to the installation instructions packed with that appliance.

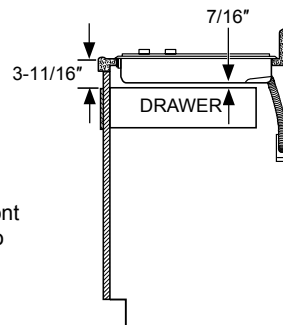
Built-in oven installation, shall conform to the installation instruction packed with the built-in oven.

MAINTAIN THE FOLLOWING MINIMUM CLEARANCE DIMENSIONS



ALL HORIZONTAL CLEARANCES MUST BE MAINTAINED FOR A MINIMUM OF 18" ABOVE THE COOKING SURFACE.

	C	L	R
JGP3030, JGP3530, JGP3036	2-1/4"	6"	6"
JGP5030, PGP7030, CGP7030, PGP9030, CGP9530	2-7/8"	12"	12"
JGP5036, PGP7036, CGP7036, PGP9036, CGP9536	3-3/8"	12"	12"

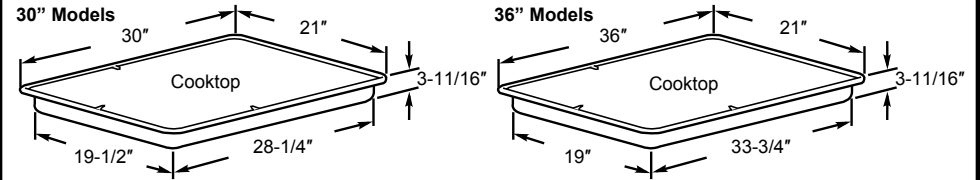


NOTE: Allow 7/16" minimum vertical clearance from the cooktop bottom (or 3-11/16" minimum depth from the countertop) to any combustible surfaces, such as a cabinet drawer.

For island installation, maintain 2-1/2 in. minimum from cutout to front and back edge of countertop. Maintain 3 in. minimum from cutout to side edges of countertop.

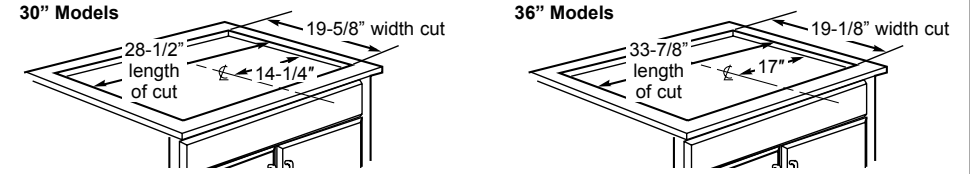
1" = 2.5 cm; 1' = 0.3 m

OVERALL COOKTOP DIMENSIONS

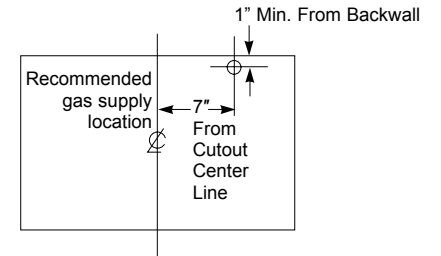


CUTOUT DIMENSIONS OF COUNTERTOP

To ensure accuracy, it is best to make a template when cutting the opening in the counter.

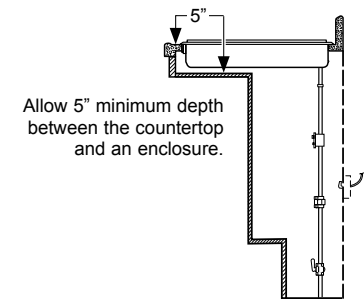


RECOMMENDED GAS SUPPLY LOCATION FROM BACKWALL



FOR AMERICANS WITH DISABILITIES ACT (ADA) FORWARD APPROACH INSTALLATION ONLY

NOTE: The enclosure must be made of wood material. Also, an access panel is required for the electrical outlet, pressure regulator, shut-off valve, hold-down brackets, and service.



CONVERTING TO PROPANE GAS (OR CONVERTING BACK TO NATURAL GAS FROM PROPANE)

This cooktop leaves the factory set for use with natural gas. If you want to convert to propane gas, the conversion must be performed by a qualified propane gas installer.

The conversion orifices and instructions can be found attached to the regulator.

Keep these instructions and all orifices in case you want to convert back to natural gas.

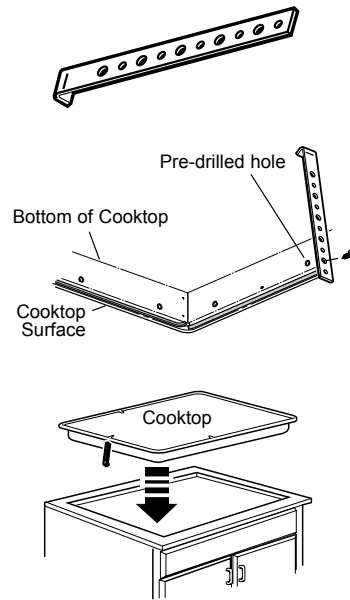
1 INSTALLING THE COOKTOP

▲ WARNING

Do not remove the 6 black Z brackets screwed to the bottom of the cooktop (on some models).

- Locate electrical outlet and gas shut-off valve beneath cabinet.
- Lay cooktop upside down on a towel or tablecloth covered countertop.
- Locate and remove hold-down brackets from literature package.
- Attach brackets to cooktop. Remove the screw from the side of the cooktop and screw the hold-down bracket to the side of the cooktop unit. Repeat for opposite side of cooktop.
- Insert the cooktop centered into the cutout opening. Make sure the front edge of the countertop is parallel to the cooktop. Make final check that all required clearances are met.

Once the unit is in place, screw the hold-down bracket into the cabinet sides to secure the unit into place.



2 GAS SUPPLY

▲ WARNING

Fire Hazard: Do not use a flame to check for gas leaks.

▲ WARNING

Explosion Hazard: Do not exceed 25 ft-lbs of torque when making gas line connections. Overtightening may crack the pressure regulator resulting in fire or explosion hazard.

Gas Pressure Regulator

You must use the gas pressure regulator supplied with this range. For proper operations the inlet pressure to the regulator should be as follows:

Natural Gas:

Minimum pressure: 6" of Water Column

Maximum pressure: 13" of Water Column

Propane Gas:

Minimum pressure: 11" of Water Column

Maximum pressure: 13" of Water Column

If you are not sure about the inlet pressure contact local gas supplier.

Shut off the main gas supply valve before disconnecting the old cooktop and leave it off until the new hook-up has been completed. Don't forget to relight the pilot on other gas appliances when you turn the gas back on.

Because hard piping restricts movement of the range, the use of a CSA International-certified flexible metal appliance connector is recommended unless local codes require a hard-piped connection.

If the hard piping method is used, you must carefully align the pipe; the cooktop cannot be moved after the connection is made.

To prevent gas leaks, apply pipe joint compound or wrap pipe thread tape with Teflon* around all male (external) pipe threads.

- Install provided regulator in the gas line between the cooktop and manual shut-off valve. Refer to the arrow on the back of the regulator for gas flow direction. Ensure the front of the regulator is facing towards the cabinet front, easily accessible through the cabinet doors.
- Install a manual shut-off valve in the gas line in a location easily accessible through the cabinet doors.
- When all connections have been made, ensure all gas controls are in the off position and turn on the main gas supply valve. Use a liquid leak detector at all joints and connections to check for leaks in the system.

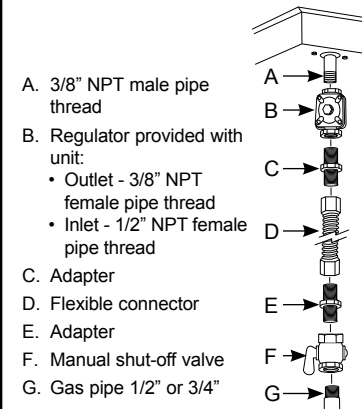
When using pressures greater than 1/2 psig to pressure test the gas supply system of the residence, disconnect the cooktop and individual shut-off valve from the gas supply piping. When using pressures of 1/2 psig or less to pressure test the gas supply system, simply isolate the cooktop from the gas supply system by closing the individual shut-off valve.

When checking for proper operation of the regulator, the inlet pressure must be at least 1" greater than the operating (manifold) pressure as given on rating label of product.

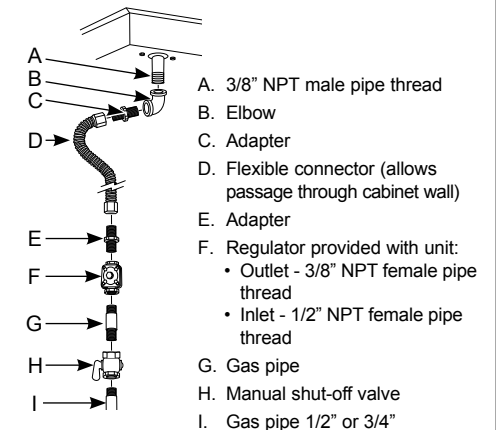
*Teflon: Registered trademark of DuPont

CONNECTOR HOOKUP

TYPICAL INSTALLATION WITH NO OBSTRUCTION BELOW COOKTOP



ALTERNATE INSTALLATION WITH OBSTRUCTION BELOW COOKTOP



3 ELECTRICAL CONNECTIONS

⚠ WARNING Shock Hazard: This appliance must be properly grounded. Failure to do so can result in electric shock.

Electrical Requirements - 120-volt, 60 Hertz, properly grounded circuit protected by a 15-amp or 20-amp circuit breaker or time delay fuse. It is recommended that a separate circuit serving only this cooktop be provided.

NOTE: Use of automatic, wireless, or wired external switches that shut off power to the appliance are not recommended for this product.

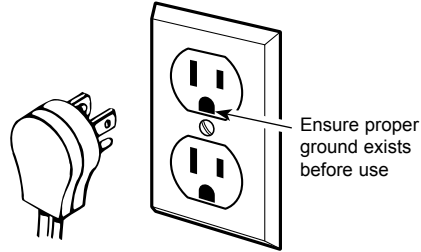
Grounding
The power cord of this appliance is equipped with a three-prong (grounding) plug which plugs into a standard three-prong grounding wall receptacle to minimize the possibility of electric shock hazard from this appliance.

The customer should have the wall receptacle and circuit checked by a qualified electrician to make sure the receptacle is properly grounded.

Where a standard two-prong wall receptacle is encountered, it is the personal responsibility and obligation of the customer to have it replaced with a properly grounded three-prong wall receptacle.

DO NOT, UNDER ANY CIRCUMSTANCES, CUT OR REMOVE THE THIRD (GROUND) PRONG FROM THE POWER CORD. DO NOT USE AN ADAPTER. DO NOT USE AN EXTENSION CORD.

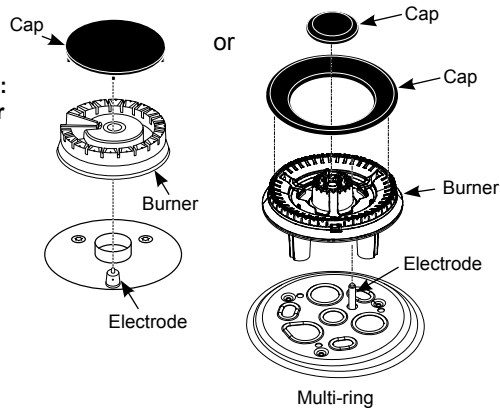
Ground Fault Circuit Interrupters (GFCI's) are not required or recommended for gas cooktop receptacles. Performance of the cooktop will not be affected if operated on a GFCI-protected circuit but occasional nuisance tripping of the GFCI breaker is possible.



4 SURFACE BURNERS

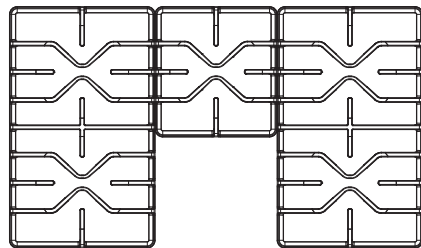
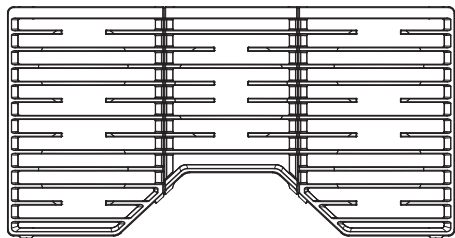
⚠ WARNING Fire or Explosion Hazard: Do not operate the burner without all burner parts in place.

- A. **Burners** - Place surface burners into corresponding positions on cooktop.
- B. **Caps** - Place caps on proper size burner.
- C. **Grates** - Place the grates on the cooktop.



Grates
(on some models)

Grates
(on some models)



5 CHECK SURFACE BURNERS

Push and turn a knob to the LITE position. A clicking sound indicates proper operation of the ignition system. When lighting any burner, sparks will appear at all burners but gas flows from only the one selected. Once air is purged from the supply line, burner should light within 4 seconds. After burner lights, rotate the knob out of the LITE position. Try each burner in succession until all burners have been checked.

Quality of Flames

Determine the quality of flames visually. Normal burner flames should look like (A) or (B).



(A) Soft blue flames—
Normal for natural gas



(B) Yellow tips on
outer cones—
Normal for propane gas

Long, bright yellow flames are not normal. Normal flames may show signs of an orange tint when well heated or signs of flickering orange due to particles in the gas or air.

WHEN ALL HOOKUPS ARE COMPLETED

Make sure all controls are left in the off position. Make sure the flow of combustion and ventilation air to the cooktop is unobstructed.

Check that all packing materials and tape have been removed. This will include adhesive tape, wire ties, cardboard and protective plastic. Failure to remove these materials could result in damage to the appliance once the appliance has been turned on and surfaces have heated.

INSTALLATION AT HIGH ALTITUDE

Over 6000ft, product configured for natural gas or propane requires installation of kit (WB28X29862 for natural gas and WB28X29861 for propane gas). Follow the instructions included with the kit.

1" = 2.5 cm; 1' = 0.3 m

INSTALLATION INSTRUCTION
31-11089-1 11-18 GEA

JGP3030, JGP3530, JGP5030, PGP7030, PGP9030, CGP9530, JGP3036, JGP5036, PGP7036, CGP7030, PGP9036, CGP7036, CGP9536

Instructions d'installation

Surfaces de cuisson à gaz

Des questions? Téléphonez au 1-800-432-2737 ou visitez GEAppliances.com.
Au Canada, téléphonez au 1-800-561-3344 ou visitez electromenagersge.ca.

DANS LE COMMONWEALTH DU MASSACHUSETTS

- Ce produit doit être installé par un plombier agréé ou un monteur d'installations au gaz.

- Si vous utilisez des robinets à gaz à bille, utilisez les robinets à poignée en T.
- Si vous utilisez des raccords flexibles à gaz, ceux-ci ne doivent pas dépasser 5 pi de longueur.

⚠ AVERTISSEMENT

RISQUE D'INCENDIE OU D'EXPLOSION

Si les renseignements contenus dans ces instructions ne sont pas suivis rigoureusement, il pourra en résulter un feu ou une explosion entraînant des dommages matériels, des blessures ou même la mort.

L'installation de l'appareil doit être effectuée par un installateur compétent.

Lisez attentivement toutes ces instructions.

L'installation de ce produit doit être conforme aux codes locaux ou, en l'absence de ceux-ci, à la dernière édition du National Fuel Gas Code ANSI Z223.1/NFPA.54. Au Canada, l'installation doit être conforme au Code d'installation du gaz naturel CAN/CGA-B149.1 ou au Code d'installation du propane CAN/CGA-B149.2 en vigueur et aux codes locaux. La conception de ce produit a été certifiée par UL conformément à la dernière édition du code ANSI Z21.1 et par l'Association canadienne du gaz conformément à la dernière édition du code CAN/CGA-1.1.

Lorsque vous installez un appareil au gaz, l'utilisation de raccords flexibles usagés peut être à l'origine de fuites de gaz et de blessures. Utilisez toujours un **NOUVEAU** raccord flexible.

La vérification de l'absence de fuite doit être effectuée conformément aux instructions du fabricant de l'appareil.

La surface de cuisson doit être mise à l'atterre conformément aux codes locaux en vigueur ou, en l'absence de ces codes, conformément à la dernière édition du Code national de l'électricité ANSI/NFPA 70. Au Canada, la mise à la terre doit être conforme au Code canadien de l'électricité CSA C22.1, partie 1, en vigueur et/ou aux codes locaux. Reportez-vous au chapitre « Raccordements électriques » de cette section.

N'installez pas cet appareil avec une hotte à rideau d'air ou avec tout autre type de hotte pour surface de cuisson qui projette de l'air vers la surface de cuisson en contrebas. Cette circulation d'air peut interférer avec le fonctionnement des brûleurs à gaz, ce qui peut provoquer un risque d'incendie ou d'explosion.

POUR VOTRE SÉCURITÉ

⚠ AVERTISSEMENT

Avant de commencer l'installation, coupez le courant au tableau de distribution électrique et bloquez le disjoncteur pour éviter que le courant ne soit accidentellement rétabli. S'il n'est pas possible de bloquer le disjoncteur, posez un avertissement bien visible, comme une étiquette, sur le tableau de distribution.

OUTILS DONT VOUS AUREZ BESOIN



Tournevis Phillips



Tournevis à lame plate



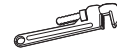
Crayon et règle



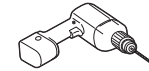
Lunettes de sécurité



Clé anglaise ou à fourche



Clés à tuyau (2) (une de secours)



Perceuse manuelle ou électrique et foret de 1/8 po



Scie sauteuse

ARTICLES DONT VOUS POURRIEZ AVOIR BESOIN

- Robinet d'arrêt de gaz.
- Produit d'étanchéité pour joint ou ruban pour filetage au Téflon*, homologué UL et résistant au gaz naturel et au propane.
- Raccord flexible métallique pour électroménager (diam. int. de 1/2 po). Une longueur de 5 pi est recommandée pour faciliter l'installation, mais une autre longueur est acceptable. N'utilisez jamais un raccord usagé lorsque vous procédez à l'installation d'une surface de cuisson neuve.
- Raccord-union pour tuyau d'alimentation de gaz (3/4 po ou 1/2 po NPT x 1/2 po de diam. int.).
- Raccord-union pour régulateur de pression de la surface de cuisson (1/2 po NPT x 1/2 po de diam. int.).
- Détecteur de fuites de liquides ou eau savonneuse.

* Téflon : marque de commerce déposée de DuPont

AVANT DE COMMENCER

IMPORTANT – Conservez ces instructions pour l'inspecteur local.

IMPORTANT – Respectez tous les codes et règlements en vigueur.

IMPORTANT – Enlevez tout le matériel d'emballage et la documentation avant de raccorder le gaz et l'électricité à la surface de cuisson.

IMPORTANT – Pour éviter d'endommager vos armoires, assurez-vous auprès de votre entrepreneur ou de votre fournisseur d'armoire que les matériaux utilisés ne décoloreront pas, ne décolleront pas ou ne subiront pas d'autres dommages. Ce produit est conçu conformément aux exigences UL et CSA International et respecte la température maximale autorisée pour les armoires de bois de 194 °F (90 °C).

Remarque destinée à l'installateur – Veillez à laisser ces instructions au consommateur.

Remarque destinée au consommateur – Conservez ces instructions pour vous y reporter ultérieurement.

Entreprise de service – Le schéma électrique se trouve à l'intérieur de la surface de cuisson. L'installateur est responsable de la qualité de l'installation.

Une défaillance de ce produit causée par une mauvaise installation n'est pas couverte par la garantie.

Maison mobile – Exigences d'installation additionnelles

L'installation de ce produit doit être conforme au Manufactured Home Construction and Safety Standard, titre 24 CFR, partie 3280 (anciennement Federal Standard for Mobile Home Construction and Safety, titre 24, HUD/section 280). Lorsque cette norme n'est pas applicable, reportez-vous au Standard for Manufactured Home Installations, ANSI A225.1/NFPA 501A ou aux codes locaux.

Au Canada, l'installation de ce produit doit se faire conformément aux normes actuelles CAN/CSA-A240, dernière édition, ou aux codes locaux. Cette surface de cuisson doit être fixée au plancher lorsqu'elle est installée dans une maison mobile en déplacement. Toute méthode pour fixer la surface de cuisson est adéquate pourvu qu'elle soit conforme aux normes citées ci-dessus.

DIMENSIONS ET DÉGAGEMENTS

Laissez des dégagements suffisants entre la surface de cuisson et les surfaces adjacentes combustibles. Ces dimensions doivent être respectées pour utiliser votre surface de cuisson en toute sécurité.

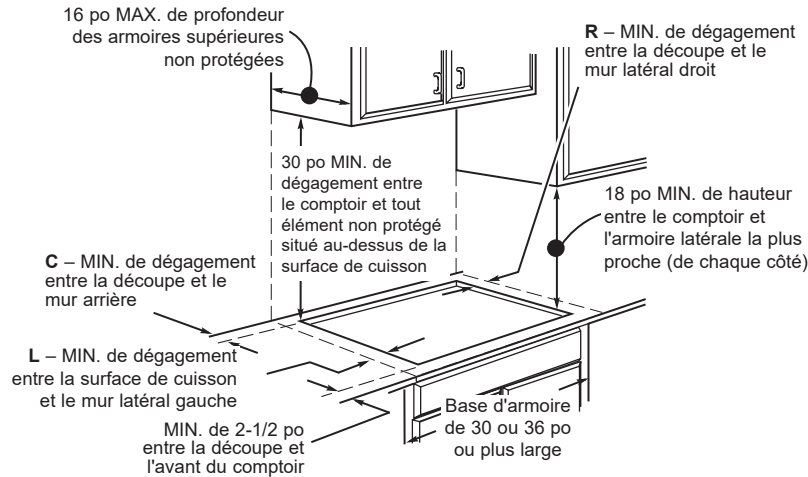
Laissez un dégagement d'au moins 30 po (76,2 cm) entre les brûleurs et le bas de l'armoire en métal ou en bois non protégé, ou laissez un dégagement d'au moins 24 po (61 cm) lorsque le bas de l'armoire en métal ou en bois est protégé à l'aide d'un carton fort ignifuge d'au moins 1/4 po (6,4 mm) d'épaisseur recouvert d'une feuille de métal n° 28

MSG (épaisseur de 0,015 po [0,38 mm]), d'acier inoxydable (épaisseur de 0,015 po [0,38 mm]), d'aluminium (épaisseur de 0,025 po [0,64 mm]) ou de cuivre (épaisseur de 0,020 po [0,5 mm]).

L'installation d'un four à micro-ondes ou d'un appareil de cuisson homologué au-dessus de la surface de cuisson doit être conforme aux instructions d'installation fournies avec l'appareil.

L'installation d'un four encastré doit être réalisée en conformité avec les instructions d'installation comprises avec celui-ci.

RESPECTER LES DÉGAGEMENTS MINIMUMS CI-DESSOUS

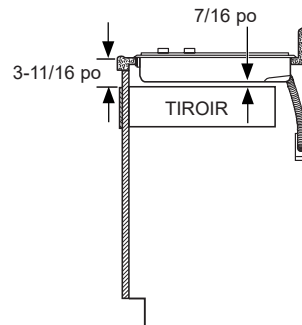


TOUS LES DÉGAGEMENTS HORIZONTAUX DOIVENT ÊTRE MAINTENUS POUR UN MINIMUM DE 18 po AU-DESSUS DE LA SURFACE DE CUISSON.

	C	L	R
JGP3030, JGP3530, JGP3036	2-1/4 po	6 po	6 po
JGP5030, PGP7030, CGP7030, PGP9030, CGP9530	2-7/8 po	12 po	12 po
JGP5036, PGP7036, CGP7036, PGP9036, CGP9536	3-3/8 po	12 po	12 po

REMARQUE : Prévoyez un dégagement vertical minimum de 7/16 po entre le bas de la surface de cuisson (ou une profondeur minimum de 3-11/16 po de la surface du comptoir) et toute surface combustible, comme un tiroir d'armoire.

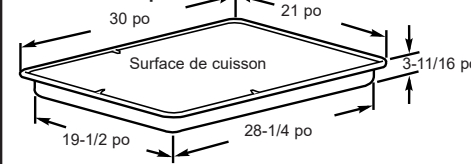
Pour une installation en îlot, conservez un minimum de 2-1/2 po entre la découpe et le rebord avant et arrière du comptoir. Conservez un minimum de 3 po entre la découpe et les rebords latéraux du comptoir.



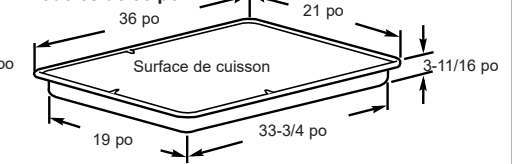
1 po = 2,5 cm; 1 pi = 0,3 m

DIMENSIONS HORS-TOUT DE LA SURFACE DE CUISSON

Modèles de 30 po



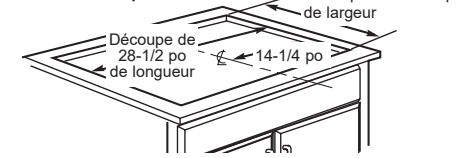
Modèles de 36 po



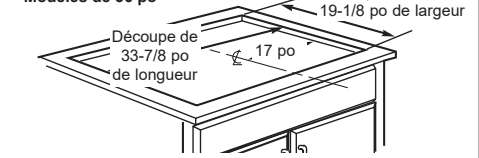
DIMENSIONS DE LA DÉCOUPE DU COMPTOIR

Pour plus de précision, il est préférable de faire un gabarit avant de procéder à la découpe du comptoir.

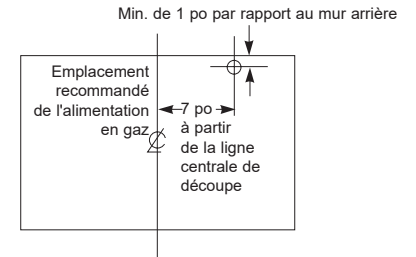
Modèles de 30 po



Modèles de 36 po

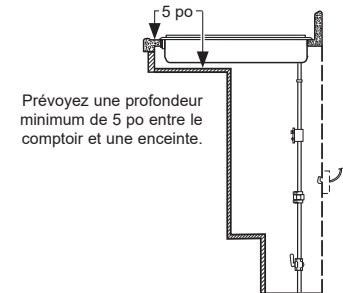


EMPLACEMENT RECOMMANDÉ DE L'ALIMENTATION EN GAZ PAR RAPPORT AU MUR ARRIÈRE



INSTALLATION ACCESSIBLE AUX PERSONNES HANDICAPÉES CONFORMÉMENT À L'ADA (AMERICANS WITH DISABILITIES ACT) SEULEMENT

REMARQUE : L'enceinte doit être construite en bois. Un panneau d'accès est également requis pour la prise électrique, le régulateur de pression, le robinet d'arrêt, les supports de fixation et l'entretien.



CONVERSION AU PROPANE (OU RECONVERSION DU PROPANE AU GAZ NATUREL)

Cette surface de cuisson est pré-réglée en usine pour une utilisation au gaz naturel. Si vous voulez convertir la cuisinière au propane, la conversion doit être effectuée par un installateur de gaz propane qualifié.

Les instructions et les gicleurs pour la conversion se trouvent fixés au régulateur.

Conservez ces instructions et tous les gicleurs au cas où vous souhaiteriez reconverter la cuisinière au gaz naturel.

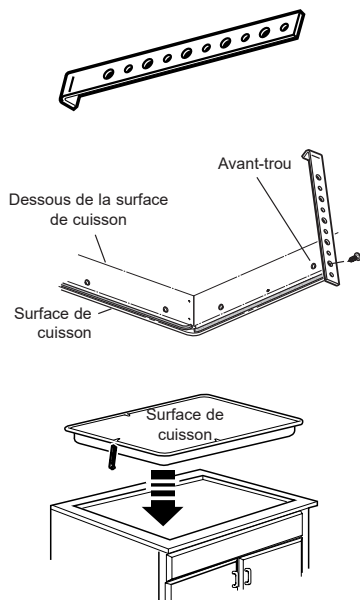
1 INSTALLATION DE LA SURFACE DE CUISSON

⚠ AVERTISSEMENT

Ne retirez pas les six supports en Z noirs vissés à la base de la surface de cuisson (sur certains modèles).

- Repérez la prise électrique et le robinet d'arrêt du gaz en dessous de l'armoire.
- Mettez la surface de cuisson à l'envers sur un comptoir recouvert d'une serviette ou d'une nappe.
- Repérez et retirez les supports de fixation de l'enveloppe de la documentation.
- Fixez les supports sur la surface de cuisson. Retirez la vis d'un côté de la surface de cuisson et vissez le support de fixation sur le côté de la surface de cuisson. Répétez l'opération de l'autre côté.
- Installez la surface de cuisson dans l'ouverture découpée en la centrant. Assurez-vous que la surface de cuisson est parallèle au bord avant du comptoir. Vérifiez une dernière fois que tous les dégagements ont été respectés.

Une fois que l'appareil est en place, vissez le support de fixation dans les côtés de l'armoire pour fixer l'appareil en place.



2 ALIMENTATION EN GAZ

⚠ AVERTISSEMENT

Risque d'incendie :
N'utilisez jamais une flamme pour vérifier la présence d'une fuite de gaz.

⚠ AVERTISSEMENT

Risque d'explosion : Ne dépassez pas un couple de 25 pi-lb (34 N.m) lorsque vous procédez aux raccordements au gaz. Un serrage excessif peut faire fendre le régulateur de pression et provoquer un risque d'incendie ou d'explosion.

Régulateur de pression au gaz

Vous devez utiliser le régulateur de pression au gaz fourni avec cette cuisinière. Pour un bon fonctionnement, la pression d'entrée du régulateur devrait avoir les paramètres suivants :

Gaz naturel :

Pression minimale : 6 po de colonne d'eau
Pression maximale : 13 po de colonne d'eau

Propane :

Pression minimale : 11 po de colonne d'eau
Pression maximale : 13 po de colonne d'eau

Si vous n'êtes pas certain de la pression d'entrée, contactez votre fournisseur de gaz local.

Fermez le robinet d'alimentation principale en gaz avant de débrancher l'ancienne surface de cuisson et laissez-le fermé jusqu'à ce que l'installation de la nouvelle surface de cuisson soit terminée. N'oubliez pas de rallumer la veilleuse des autres appareils électroménagers à gaz lorsque vous rouvrez le robinet d'alimentation en gaz.

2 ALIMENTATION EN GAZ (suite)

Étant donné que les tuyaux rigides restreignent le déplacement de la cuisinière, l'utilisation d'un raccord flexible métallique pour électroménager, certifié par CSA International, est recommandée (excepté lorsque les codes locaux exigent un raccord rigide).

Si vous utilisez un raccord rigide, vous devez bien aligner le tuyau sur le raccord. La surface de cuisson ne peut plus être déplacée une fois le raccordement effectué.

Pour éviter les fuites de gaz, appliquez un produit d'étanchéité sur tous les filetages mâles (extérieurs) ou entourez-les d'un ruban pour filetage au Téflon*.

- Installez le régulateur fourni dans la conduite de gaz entre la surface de cuisson et le robinet d'arrêt manuel. Reportez-vous à la flèche à l'arrière du régulateur pour connaître la direction du débit de gaz. Assurez-vous que l'avant du régulateur fait face vers l'avant de l'armoire pour qu'il soit facile d'y accéder par les portes d'armoire.
- Installez un robinet d'arrêt manuel sur la conduite de gaz à un endroit facilement accessible par les portes d'armoire.

C. Lorsque toutes les connexions ont été effectuées, assurez-vous que toutes les commandes du gaz sont en position d'arrêt et ouvrez le robinet d'alimentation en gaz. Vérifiez la présence de fuites au niveau de tous les joints et raccords à l'aide d'un détecteur de fuites de liquides.

Lorsque vous utilisez des pressions de plus de 1/2 lb/po² (3,5 kPa) pour faire un essai de pression sur le système d'alimentation en gaz de votre domicile, débranchez la surface de cuisson et le robinet d'arrêt individuel de la tuyauterie d'alimentation en gaz. Lorsque vous utilisez des pressions de 1/2 lb/po² (3,5 kPa) ou moins pour faire un essai de pression sur le système d'alimentation en gaz, isolez tout simplement la cuisinière du système d'alimentation en gaz en fermant le robinet d'arrêt individuel.

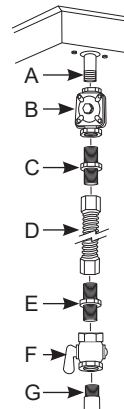
Lorsque vous vérifiez si le régulateur fonctionne correctement, la pression d'entrée doit dépasser la pression de fonctionnement (au collecteur) indiquée sur la plaque signalétique du produit d'au moins 1 po.

* Téflon : marque de commerce déposée de DuPont

RACCORD FLEXIBLE

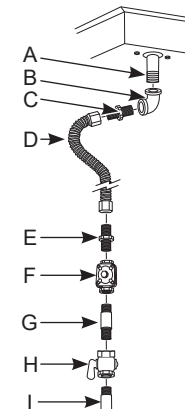
INSTALLATION CARACTÉRISTIQUE SANS OBSTRUCTION SOUS LA SURFACE DE CUISSON

- Filetage de tuyau mâle NPT de 3/8 po
- Régulateur fourni avec l'appareil :
 - Sortie – Filetage de tuyau femelle NPT de 3/8 po
 - Entrée – Filetage de tuyau femelle NPT de 1/2 po
- Adaptateur
- Raccord flexible
- Adaptateur
- Robinet d'arrêt manuel
- Tuyau de gaz de 1/2 po ou 3/4 po



INSTALLATION ALTERNATIVE AVEC OBSTRUCTION SOUS LA SURFACE DE CUISSON

- Filetage de tuyau mâle NPT de 3/8 po
- Coude
- Adaptateur
- Raccord flexible (permet le passage à travers la paroi de l'armoire)
- Adaptateur
- Régulateur fourni avec l'appareil :
 - Sortie – Filetage de tuyau femelle NPT de 3/8 po
 - Entrée – Filetage de tuyau femelle NPT de 1/2 po
- Tuyau de gaz
- Robinet d'arrêt manuel
- Tuyau de gaz de 1/2 po ou 3/4 po



3 RACCORDEMENTS ÉLECTRIQUES

⚠ AVERTISSEMENT

Risque de décharge

électrique : Cet appareil doit être correctement mis à la terre. Sinon, vous pourriez recevoir une décharge électrique.

Exigences électriques – Un circuit correctement mis à la terre de 120 V et 60 Hz, protégé par un disjoncteur ou un fusible temporisé de 15 ou 20 ampères. Il est recommandé de brancher cette surface de cuisson sur un circuit électrique distinct.

REMARQUE : L'utilisation d'interrupteurs externes automatiques (sans fils ou connectés) qui coupent l'alimentation à l'appareil n'est pas recommandée pour ce produit.

Mise à la terre

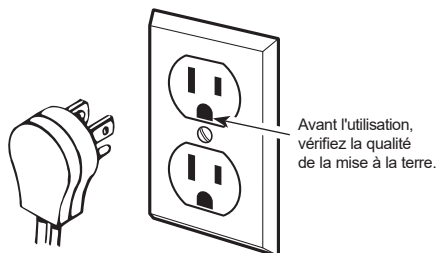
Pour diminuer les risques de décharge électrique, le cordon d'alimentation de cet appareil est muni d'une fiche à trois broches (mise à la terre) conçue pour une prise murale à trois alvéoles, mise à la terre.

Le client doit s'adresser à un électricien qualifié qui vérifiera la prise murale et le circuit électrique pour s'assurer que la prise murale est correctement mise à la terre.

Si la prise murale est du type standard à 2 alvéoles, il incombe au client de la faire remplacer par une prise à 3 alvéoles correctement mise à la terre.

NE COUPEZ ET NE RETIREZ EN AUCUN CAS LA TROISIÈME BROCHE (MISE À LA TERRE) DE LA FICHE DU CORDON D'ALIMENTATION. N'UTILISEZ PAS DE FICHE D'ADAPTATION. N'UTILISEZ PAS DE CORDON PROLONGATEUR.

Les disjoncteurs de fuite de terre ne sont pas nécessaires ou recommandés pour les prises des surfaces de cuisson à gaz. Le rendement de votre surface de cuisson ne sera pas affecté par la présence d'un circuit protégé par un disjoncteur de fuite de terre. Cependant, un déclenchement intempêtif de l'interrupteur est possible.



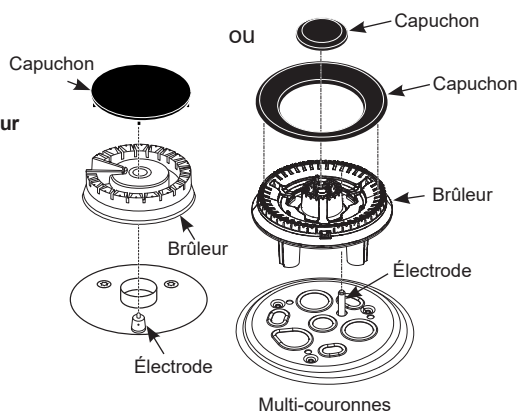
4 BRÛLEURS DE SURFACE

⚠ AVERTISSEMENT

Risque d'incendie ou

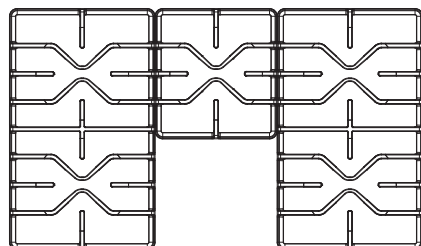
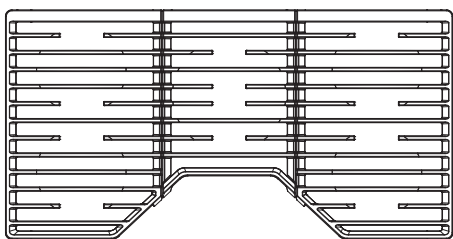
d'explosion : Ne faites pas fonctionner le brûleur sans que toutes ses pièces ne soient en place.

- A. **Brûleurs** : Placez les brûleurs aux positions correspondantes sur la surface de cuisson.
- B. **Chapeaux** : Placez les chapeaux sur les brûleurs de la bonne dimension.
- C. **Grilles** : Placez les grilles latérales et la grille centrale sur la surface de cuisson.



Grilles
(sur certains modèles)

Grilles
(sur certains modèles)



5 VÉRIFICATION DES BRÛLEURS DE SURFACE

Appuyez sur un bouton et tournez-le sur la position LITE (allumage). Un clic indique le bon fonctionnement du système d'allumage. Lors de l'allumage de n'importe quel brûleur, des étincelles apparaîtront au niveau de tous les brûleurs, mais du gaz s'écoulera uniquement du brûleur sélectionné. Lorsque l'air a été évacué de la conduite d'alimentation, le brûleur doit s'allumer dans les quatre secondes. Une fois le brûleur allumé, tournez le bouton hors de la position LITE (allumage). Essayez chaque brûleur jusqu'à ce que tous les brûleurs aient été vérifiés.

Qualité des flammes

Déterminez la qualité des flammes par l'entremise d'une inspection visuelle. Les flammes d'un brûleur normal ressemblent à l'illustration (A) ou (B).



(A) Flammes bleues :
Normal pour le gaz naturel



(B) Extérieur (bout) des flammes jaune :
Normal pour le gaz propane

De longues flammes vives jaunes ne sont pas normales. Des flammes normales peuvent montrer des signes d'une teinte orangée lorsque chauffées ou des signes d'orange vacillant en raison de particules dans le gaz ou l'air.

UNE FOIS TOUS LES RACCORDEMENTS EFFECTUÉS

Assurez-vous que tous les boutons sont en position d'arrêt. Veillez à ce que le flux de l'air de combustion et de l'air de ventilation de la surface de cuisson ne soit pas entravé.

Vérifiez que tout le matériel d'emballage et le ruban ont été enlevés. Cela comprendra tout le ruban adhésif, les attaches métalliques, le carton et le plastique de protection. Si vous n'enlevez pas tout ce matériel, vous pourriez endommager l'appareil une fois qu'il aura été mis en fonction et que les surfaces auront chauffé.

INSTALLATION EN ALTITUDE

Si l'altitude dépasse 6 000 pieds, il est nécessaire d'installer une trousse (WB28X29862 sur les produits configurés pour le gaz naturel et WB28X29861 pour le propane). Respectez les instructions contenues dans la trousse.

1 po = 2,5 cm; 1 pi = 0,3 m

INSTRUCTIONS D'INSTALLATION

31-11089-1 11-18 GEA

JGP3030, JGP3530, JGP5030, PGP7030, PGP9030, CGP9530, JGP3036, JGP5036, PGP7036, CGP7030, PGP9036, CGP7036, CGP9536