

INSTALLATION INSTRUCTIONS

Advantium® 240V
Built-In Wall Oven
CSB923



MFL59060927_00

31-2000356 Rev.0

02-19 GEA

Safety Information

BEFORE YOU BEGIN

Read these instructions completely and carefully.

IMPORTANT — Save these instructions for local inspector's use.

IMPORTANT — Observe all governing codes and ordinances.

- **Note to Installer** — Be sure to leave these instructions with the Consumer.
- **Note to Consumer** — Keep these instructions with your Owner's Manual for future reference.
- **Skill Level** — Installation of this appliance requires basic mechanical and electrical skills.
- **Completion Time — 1 Hour.**
- Proper installation is the responsibility of the installer. Product failure due to improper installation is not covered under the warranty. See Owner's Manual for warranty information.

IMPORTANT — Use this oven only for its intended purpose. Never use the oven for warming or heating a room. Prolonged use of the oven without proper ventilation can be hazardous.

CAUTION For personal safety, remove house fuse or oven circuit breaker before beginning installation to avoid severe or fatal shock injury.

CAUTION For personal safety, the mounting surface must be capable of supporting the cabinet load, in addition to the added weight of the oven and drawer, plus additional oven loads.

CONTENTS

Design Information

| | |
|---|---|
| Models Available | 2 |
| Product Dimensions and Clearances | 3 |
| Tools and Parts Required | 3 |
| Advance Planning | 3 |

Installation Preparation

| | |
|---|---|
| Electrical Requirements | 4 |
| Install Junction Box | 4 |
| Preparing the Opening (Installation without an accessory storage drawer)..... | 5 |
| Flush Mount | 7 |
| With Accessory Storage Drawer | 8 |

Installation Instructions

| | |
|--|----|
| Step 1, Remove Packaging and Parts | 9 |
| Step 2, Route Conduit..... | 10 |
| Step 3, Install Bottom Trim..... | 11 |
| Step 4, Install Mounting Screws..... | 11 |
| Step 5, Finalize Installation | 11 |

MODELS AVAILABLE

Café Pro Models:

CSB923P2NS1 - Stainless Steel
CSB923P3ND1 - Matte Black
CSB923P4NW2 - Matte White

Café Min Models:

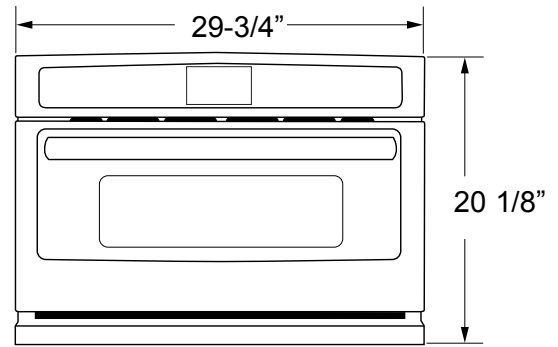
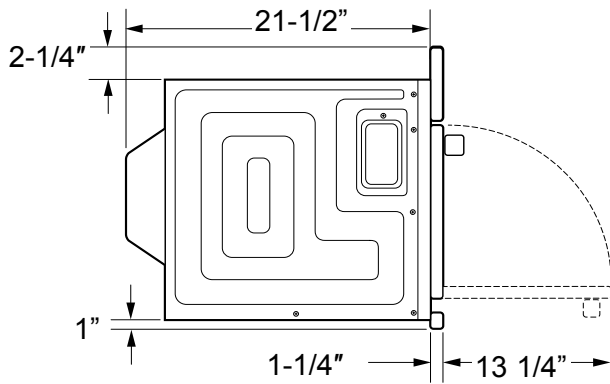
CSB923M2NS5 - Stainless Steel

* Accessory storage drawer is only available for stainless steel models

Design Information

PRODUCT DIMENSIONS AND CLEARANCES

NOTE: Appearance will vary by model.



TOOLS AND PARTS REQUIRED (NOT SUPPLIED)

- #2 Phillips screwdriver
- Hand held drill
- High speed drill bit, 3/32" diameter
- 3/8" slot head screwdriver
- Level
- Saw
- 2x4 or 2x2 lumber for installing runners or 3/8" plywood for floor (if required)
- Wood screws or other hardware for installing runner or shelf to support oven (if required)
- Safety glasses or goggles

ELECTRICAL TOOLS AND PARTS REQUIRED (NOT SUPPLIED)

- Junction box
- Electrical cable (3-conductor or 4-conductor wire as required by local codes)
- UL-listed conduit connectors
- Wire cutters and wire strippers

FLUSH MOUNT INSTALLATION

This installation method allows for the unit face to be inline with the cabinet face.

IMPORTANT: HIGH SKILL LEVEL IN CARPENTRY IS REQUIRED. Non-standard cabinetry may be required.

Flush installation of the oven will lead to the exposure of the cabinet face frame edges.

Side cleats may be visible and should be a finished surface.

ADVANCE PLANNING

- These ovens may be installed directly into a 30" wide oven cabinet.
- Cutout dimensions are NOT the same for installation with or without an accessory storage drawer. Make sure to use the correct cutout when preparing the opening.

IMPORTANT

— This oven is not approved for use above another built-in Advantium Speedcook oven, a side by side installation or below a countertop.

- For personal safety, this oven cannot be installed in a cabinet arrangement such as an island or peninsula.
- The oven must be installed at least 36-3/4" above the floor.
- Allow for clearance to adjacent corners, walls, drawers, etc.
- Cabinets installed adjacent to wall ovens must have an adhesion spec of at least 194°F temperature rating.

The oven must be securely installed in a cabinet that is firmly attached to the house structure. Weight on the oven door could cause the oven to tip and result in injury. Never allow anyone to climb, sit, stand or hang on the oven door.

If installing the drawer accessory, the drawer must be assembled to the oven prior to installation into the cabinet. See the Accessory Storage Drawer Assembly Instructions.

1" = 2.5 cm; 1' = 0.3 m

Installation Preparation

ELECTRICAL REQUIREMENTS

Single Advantium Installation

Product rating is 120/208 or 120/240 volt, 60 Hz, 30 amps. This product must be connected to a supply circuit of the proper voltage and frequency and protected by a time delay fuse or circuit breaker. Power should be supplied from a separate, dedicated 30-ampere branch circuit. Wire size must conform to the requirements of the National Electrical Code or the prevailing local code.

Combined Advantium and Wall Oven Installation

When installed in combination with a single wall oven, use separate electrical junction boxes.

Refer to single oven installation instructions for electrical requirements of that product.

These connections must be made by a qualified electrician. All electrical connections must meet National Electrical Code or prevailing local codes.

Combined Advantium and Warming Drawer Installation

When installing the Advantium oven over an electric warming drawer, a separate 120V, 60Hz, properly

grounded receptacle must be installed. See instructions packed with the warming drawer.

⚠ WARNING

- The electrical power to the oven branch circuit must be shut off while line connections are being made.
- Use copper wiring only.
- Electrical ground is required on this appliance. The free end of the green wire (ground wire) must be connected to a suitable ground. This wire must remain grounded to the oven.
- If cold water pipe is interrupted by plastic, non-metallic gaskets, union connections or other insulating materials, DO NOT use for grounding.
- DO NOT ground to a gas pipe.
- DO NOT have a fuse in the NEUTRAL or GROUNDING circuit. A fuse in the NEUTRAL or GROUNDING circuit could result in an electrical shock.
- Check with a qualified electrician if you are in doubt as to whether the appliance is properly grounded.

Failure to follow these instructions could result in serious injury or death.

GROUNDING INSTRUCTIONS

⚠ WARNING Improper use of the grounding plug can result in a risk of electric shock.

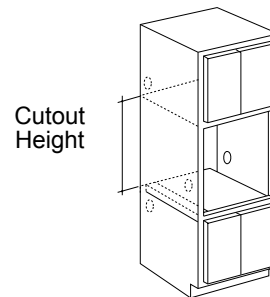
This appliance must be connected to a grounded, metallic, permanent wiring system, or an equipment grounding conductor should be run with the circuit conductors and connected to the equipment grounding terminal or lead on the appliance.

INSTALL JUNCTION BOX

The conduit is located at the top right on the back of the oven.

Locate and install the junction box within reach of the oven conduit.

- Through the left or right sides of the cabinet wall and into adjacent cabinet.
- Or, through the cutout floor.
- Or, in the upper cabinet.



1" = 2.5 cm; 1' = 0.3 m

Installation Preparation

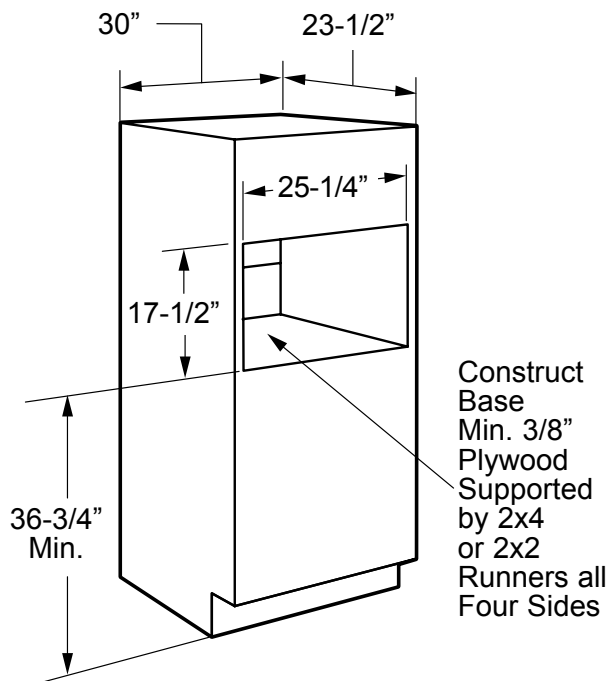
IMPORTANT: Always maintain 36-3/4" minimum height from the floor to the cutout in any single or combined installation.

PREPARE THE OPENING

The Advantium 240V can be installed in combination with other Built-In appliances. Always follow each product's Installation Instructions to complete the installation.

Single Advantium 240V Installation:

Order a 30" wide single oven cabinet or cut the opening in a wall to the dimensions shown.



- Always maintain 36-3/4" minimum height from the floor to the cutout in any single or combined installation.
- Allow 2 1/8" case trim overlap on the sides and 1" overlap on the bottom of the opening for all models. Allow 2 1/4" case trim overlap on the top.
- Oven overlaps will conceal cut edges on all sides of the opening.

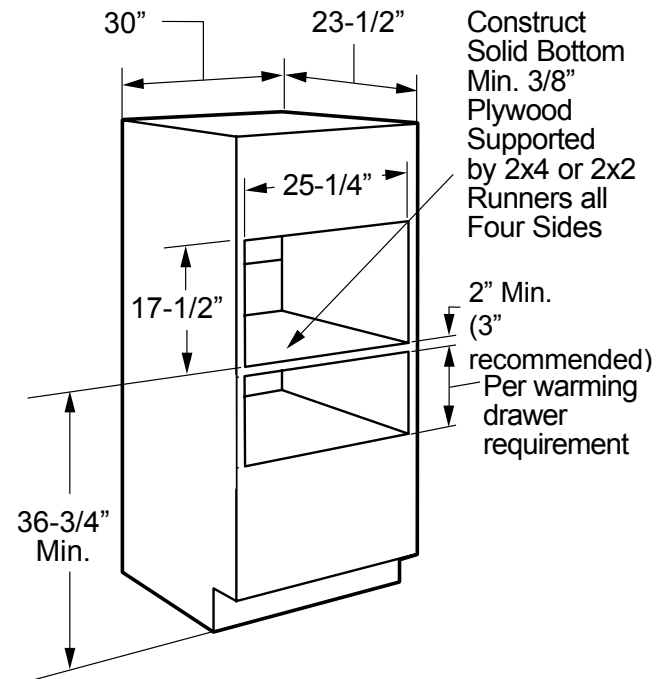
When installed over a single oven or a warming drawer, allow at least 2" between the two openings. This separation will provide clearance for bottom overlap of the Advantium 240V and the other appliance overlaps.

Construct a solid oven floor of 3/8" min. thick plywood supported by 2 x 4 or 2 x 2 runners on all sides.

- The support must be level and rigidly mounted, flush with the bottom edge of the cutout.

PREPARE THE OPENING (CONT.)

Installation over a Warming Drawer:



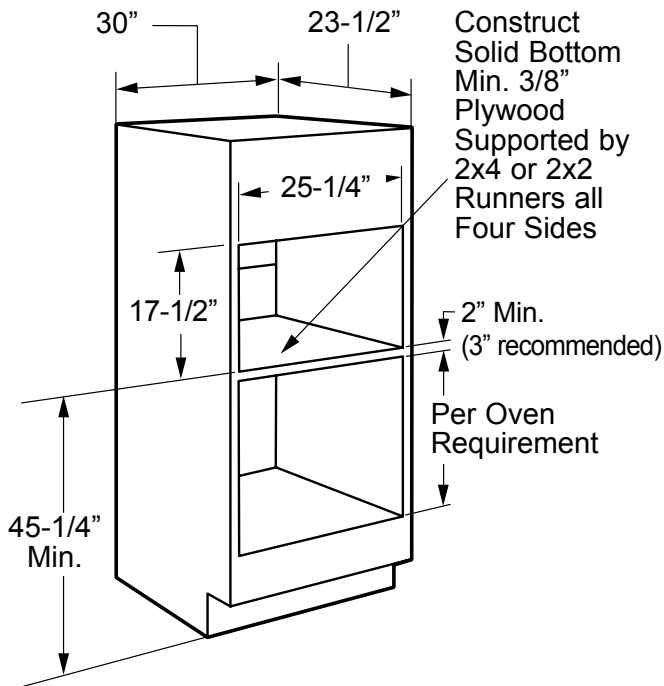
NOTE: Additional clearances between the cutouts may be required. Check to be sure the oven supports above the Warming Drawer location do not obstruct the required interior depth and height. See Warming Drawer installation instructions for details.

Installation Preparation

IMPORTANT: Always maintain 36-3/4" minimum height from the floor to the cutout in any single or combined installation.

PREPARE THE OPENING (CONT.)

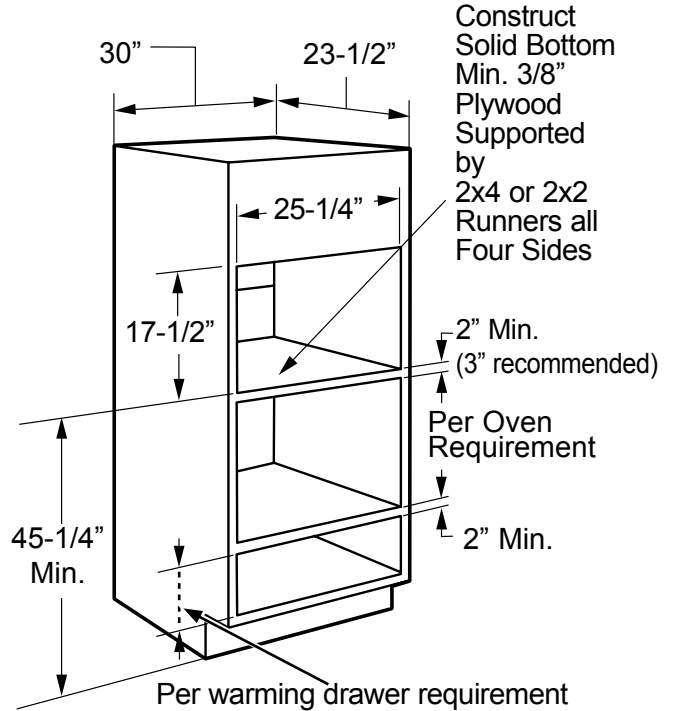
Installation over a Wall Oven:



- If you are replacing an electric double oven with the combined installation of an Advantium 240V and a single oven, use the dimensions shown. The middle rail separating the two openings may need to be larger than the 2" minimum shown.

PREPARE THE OPENING (CONT.)

Installation over a Wall Oven and Warming Drawer:



NOTE: Additional clearances between the cutouts may be required. Check to be sure the oven supports above the Warming Drawer location do not obstruct the required interior depth and height. See Warming Drawer installation instructions for details.

⚠ CAUTION

For personal safety, the mounting surface must be capable of supporting the cabinet load, in addition to the added weight of this approximate 80-pound oven, plus additional oven loads of up to 50 pounds or a total weight of 130 pounds.

Flush Mount Installation Preparation

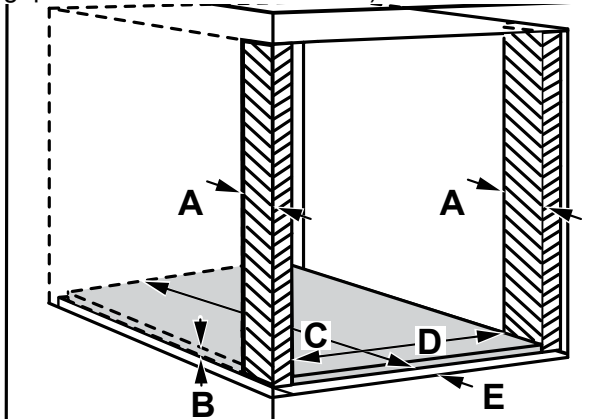
PREPARE THE INTERIOR

Cut and install side cleats:

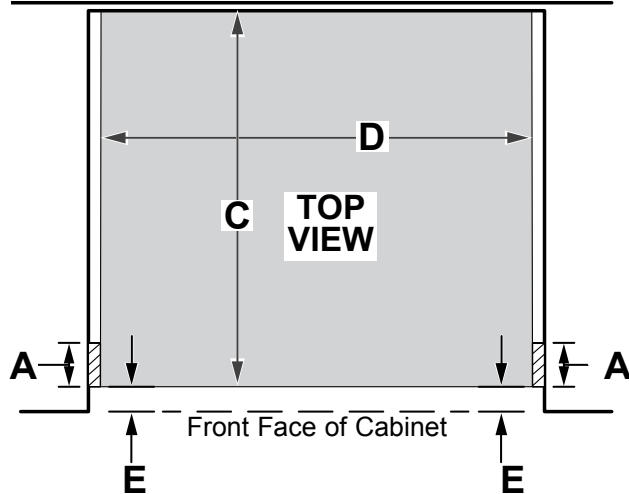
- Cut side wood cleats to height of cabinet opening and approx. 2-1/2" in depth. Install, on each side, 1-3/8" from the front face of the cabinet.

Cut and install bottom cleat:

- Cut bottom wood cleat to a height of 1-1/8", a depth of the cabinet **minus** 1-3/8" and a width of 25-1/4" to fit between side cleats. Install onto the cabinet floor between the side cleats, push it all the way back against cabinet wall and make sure its front face aligns with the front faces of the side cleats (1-3/8" gap from the front cabinet face).



| | | |
|---|---------------------|----------------------------|
| A | Side cleats depth | 2-1/2" min. |
| B | Bottom cleat height | 1-1/8" |
| C | Bottom cleat depth | Cabinet depth minus 1-3/8" |
| D | Bottom cleat width | 25-1/4" |
| E | All three cleats | 1-1/4" |

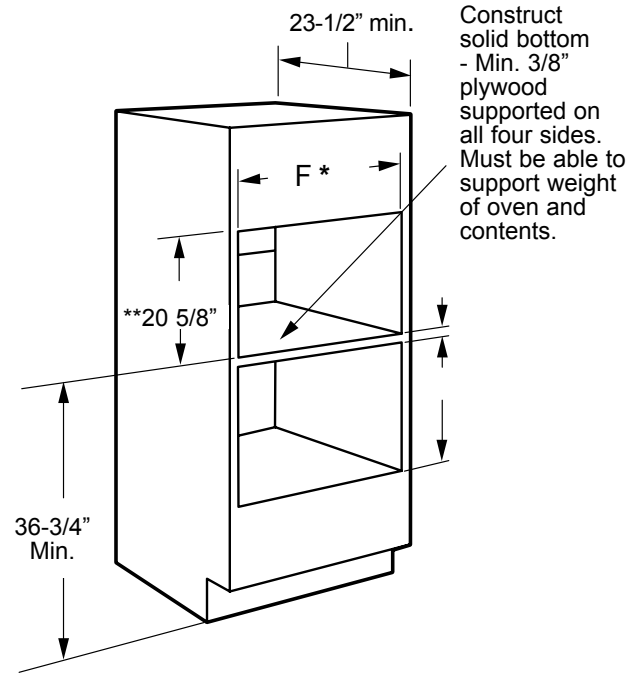


PREPARE THE OPENING

The Advantium Built-In Oven can be installed in combination with other Advantium Built-In ovens. Always follow each product's Installation Instructions to complete the installation.

Single Advantium Built-In Oven Installation:

Cut the opening in a cabinet to the dimensions shown.



- The support must be level and rigidly mounted, flush with the bottom edge of the cutout.

| Approved Flush Installation | Dimension F | |
|------------------------------|-------------|-------------|
| | 1/8" Reveal | 1/4" Reveal |
| Single Advantium | 30" | 30-1/4" |
| Over Warming Drawer | 30" | 30-1/4" |
| Over Oven | 30" | 30-1/4" |
| Over Oven and Warming Drawer | 30" | 30-1/4" |

** Top and bottom reveals are set to 1/8".

Installation Preparation with Accessory Storage Drawer

Preparation with an Accessory Storage Drawer

As needed, see the Standard Mount Installation Preparation OR Flush Mount Installation Preparation for configuration details. Note the modified cutout height below.

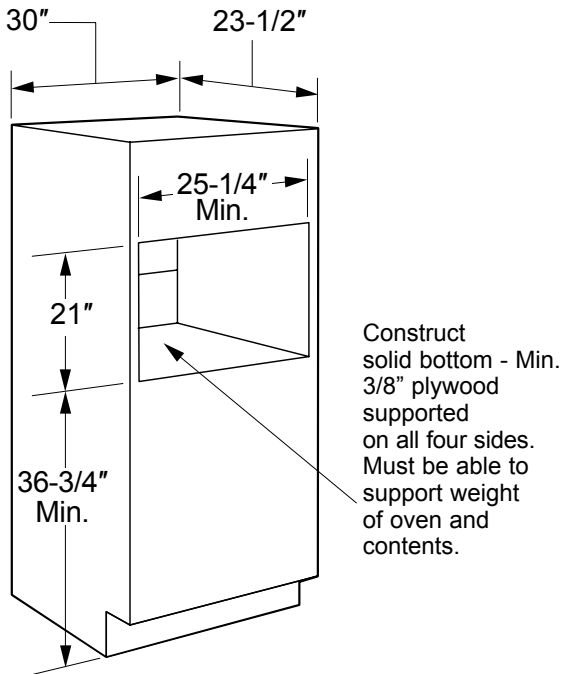
PREPARE THE OPENING (cont.)

The Advantium Built-In Oven can be installed in combination with other GE Appliances/Monogram appliances. Always follow each product's Installation Instructions to complete the installation.

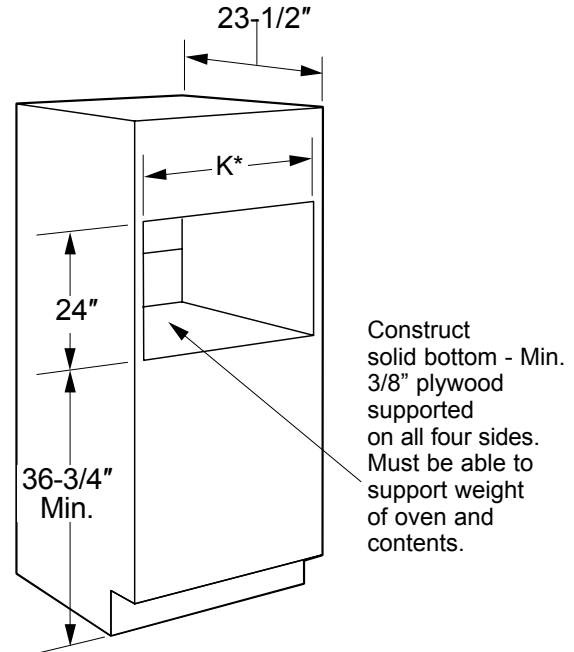
Single Advantium Built-In Oven Installation:

Order a 30" wide single oven cabinet or cut the opening in a wall to the dimensions shown.

STANDARD MOUNT:



FLUSH MOUNT:



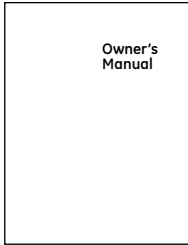
| Dimension | 1/8" Reveal | 1/4" Reveal |
|-----------|-------------|-------------|
| K | 30" | 30-1/4" |

- Allow 2-1/8" case trim overlap on the sides, 2-1/4" overlap on the top and 1" overlap on the bottom of the opening for all models.
- Oven overlaps will conceal cut edges on all sides of the opening.
- When installed over a single oven or a warming drawer, allow at least 2" between the two openings. This separation will provide clearance for bottom overlap of the Advantium Built-In Oven and the other appliance overlaps.
- The support must be level and rigidly mounted, flush with the bottom edge of the cutout.

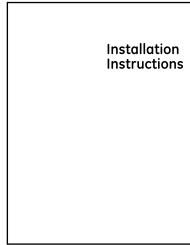
Installation Instructions

1 REMOVE THE PACKAGING AND PARTS

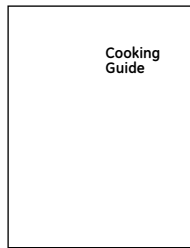
- Remove all packing material and tape.
- Locate parts package containing mounting screws.
- Remove the oven from the carton. Do not lift unit by handle or conduit. Two people are required to lift this oven.
- Open the door and remove any packaging in oven.



Owner's Manual



Installation Instructions



Cooking Guide



Glass Tray



Turntable Ring



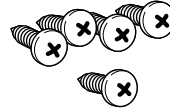
Metal Tray



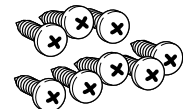
Metal Grill Tray



Rack



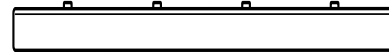
5 Color-Matched Screws
(4 required, 1 extra)



8 Brass Screws for the
Bottom Trim
(3 required, 5 extra)



Flat-Head Screws (4 extra)



Bottom Trim

IMPORTANT: If installing the Advantium Built-In Oven with an accessory storage drawer, read the storage drawer assembly instructions to assemble the products together before proceeding to Step 2.

Installation Instructions

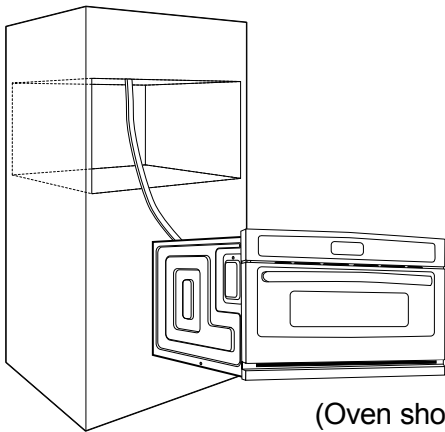
2 ROUTE CONDUIT THROUGH CUTOUT

⚠ CAUTION Two people are required to lift the oven into the opening.

Grasp the bottom at front and rear. Discard foam base. **DO NOT USE HANDLE OR CONDUIT TO LIFT THE OVEN. DAMAGE WILL OCCUR.**

With oven in front of the cabinet opening:

- Insert conduit into cabinet opening. Connect oven wiring and branch circuit.
- Lift the oven into the opening while continuing to feed the conduit in the direction of the installed junction box. Be sure the conduit does not get pinched between the back of the oven and the cabinet wall.
- Leave oven a few inches forward of the cabinet front frame. Do not push the unit all of the way into the cutout.



(Oven shown without accessory storage drawer.)

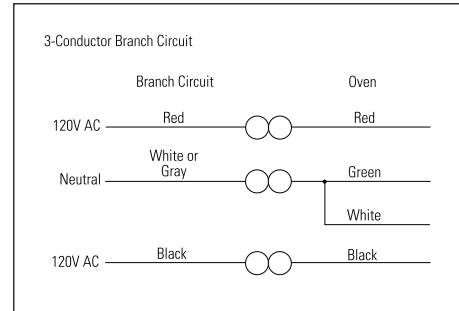
⚠ WARNING

- Disconnect power to the junction box before making the electrical connection.
- Electrical ground is required on this appliance.
- Do not connect the electrical supply until appliance is permanently grounded.

2 ROUTE CONDUIT THROUGH CUTOUT (CONT.)

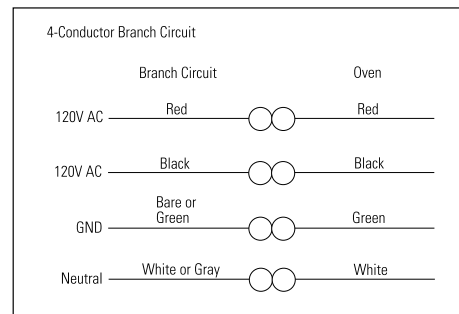
When connecting to a 3-conductor branch circuit:

- Connect oven red lead to branch circuit red lead.
- Connect oven black lead to branch circuit black lead.
- Connect oven green ground lead and white lead to branch circuit neutral (white or gray).



When connecting to a 4-conductor branch circuit:

- Connect oven red lead to branch circuit red lead.
- Connect oven black lead to branch circuit black lead.
- Break connection between oven white lead and oven green ground lead.
- Connect oven white lead to branch circuit neutral lead (white or gray).
- Connect oven green ground lead to branch circuit ground lead (green or bare copper).

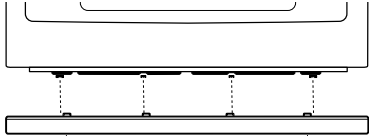


Installation Instructions

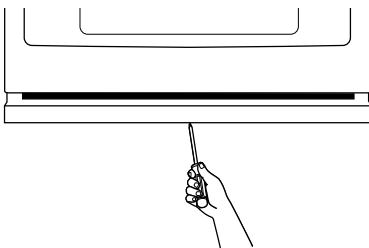
3 INSTALL BOTTOM TRIM

NOTE: If installing the Advantium 240 Oven with an accessory storage drawer, the bottom trim is not required. Proceed to Step 4.

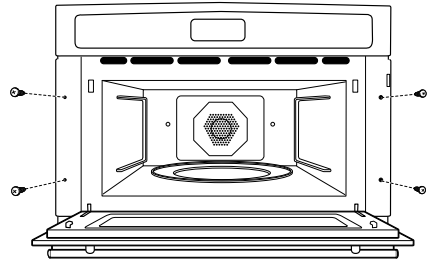
- Align bottom trim tabs to slots in the bottom of the oven.



- Secure the bottom trim to the bottom of the oven using 3 brass screws provided.



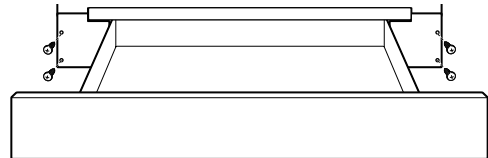
4 INSTALL MOUNTING SCREWS



- Slide the oven the remaining way into the opening so that the side flanges and control panel are against the cabinet frame. Make sure that the oven is centered in the opening.
- Open the door, place a turntable tray in the oven and make sure that the tray in the unit is level.
- Drill pilot holes through the side flanges.
- Drive the color matched screws into the side flanges. It is recommended that the screws be hand tightened.

If installing oven with an accessory storage drawer:

- Open the drawer.
- Drill pilot holes through the side flanges.
- Drive color match screws into the side flanges. It is recommended that the screws be hand tightened.



5 FINALIZE INSTALLATION

- Turn power on at the source. The interior light should come on when the door is opened.
- Refer to Owner's Manual for operating instructions.

Notes

Notes

NOTE: While performing installations described in this book, safety glasses or goggles should be worn.

NOTE: Product improvement is a continuing endeavor at General Electric. Therefore, materials, appearance and specifications are subject to change without notice.



GE APPLIANCES

INSTRUCTIONS D'INSTALLATION

Four encastré

Advantium® 240 V

CSB923



MFL59060927_00

31-2000356 Rév. 0

02-19 GEA

Consignes de sécurité

AVANT DE COMMENCER

Lisez attentivement toutes ces instructions.

IMPORTANT – Conservez ces instructions pour l'inspecteur local.

IMPORTANT – Respectez tous les codes et règlements en vigueur.

- **Remarque destinée à l'installateur –**
Assurez-vous de laisser ces instructions au consommateur.
- **Remarque destinée au consommateur –**
Conservez ces instructions avec votre manuel de l'utilisateur pour vous y reporter ultérieurement.
- **Niveau de compétence** – L'installation de cet appareil nécessite des compétences de base en mécanique et en électricité.
- **Durée de l'installation – 1 heure**
- L'installateur est responsable de la qualité de l'installation. La panne du produit due à une mauvaise installation n'est pas couverte par la garantie. Consultez le Manuel de l'utilisateur pour des informations sur la garantie.

IMPORTANT – Veuillez utiliser ce four uniquement pour l'usage prévu. N'utilisez jamais le four pour réchauffer ou chauffer la pièce. L'utilisation prolongée du four sans ventilation adéquate peut être dangereuse.

ATTENTION Pour votre sécurité, enlevez le fusible ou déclenchez le disjoncteur du circuit du four avant d'entreprendre l'installation, afin d'éviter toute électrocution grave ou mortelle.

ATTENTION Pour votre sécurité, la surface de montage doit être en mesure de supporter le poids de l'armoire, de même que le poids supplémentaire du four et du tiroir ainsi que la charge dans le four.

TABLE DES MATIÈRES

Information de conception

| | |
|--|---|
| Modèles disponibles | 2 |
| Dimensions du produit et dégagements | 3 |
| Outils et pièces nécessaires | 3 |
| Planification | 3 |

Préparatifs avant l'installation

| | |
|--|---|
| Exigences électriques | 4 |
| Installation de la boîte de jonction | 4 |
| Préparation de l'ouverture (installation sans tiroir de rangement des accessoires) | 5 |
| Montage encastré | 7 |
| Avec tiroir de rangement des accessoires | 8 |

Instructions d'installation

| | |
|---|----|
| Étape 1 : Retirer l'emballage et les pièces | 9 |
| Étape 2 : Acheminer le conduit | 10 |
| Étape 3 : Installer la finition inférieure | 11 |
| Étape 4 : Installer les vis de montage | 11 |
| Étape 5 : Finaliser l'installation | 11 |

MODÈLES DISPONIBLES

Modèles Café Pro :

CSB923P2NS1 – Acier inoxydable
CSB923P3ND1 – Noir mat
CSB923P4NW2 – Blanc mat

Modèles Café Min :

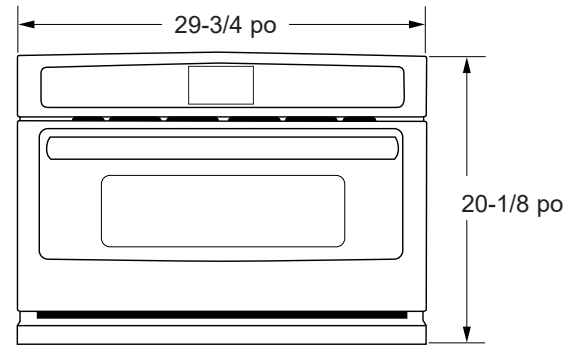
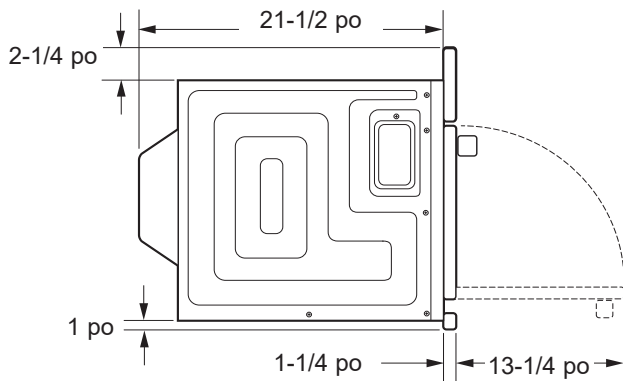
CSB923M2NS5 – Acier inoxydable

* Le tiroir de rangement des accessoires est offert uniquement pour les modèles en acier inoxydable.

Information de conception

DIMENSIONS DU PRODUIT ET DÉGAGEMENTS

REMARQUE : L'aspect varie d'un modèle à l'autre.



OUTILS ET PIÈCES NÉCESSAIRES (NON FOURNIS)

- Tournevis Phillips n° 2
- Perceuse à main
- Mèche à haute vitesse de 3/32 po de diamètre
- Tournevis plat de 3/8 po
- Niveau
- Scie
- Pièces de bois de 2 x 4 ou 2 x 2 pour installer des coulisseaux ou contreplaqué de 3/8 po pour le plancher (au besoin)
- Vis à bois ou autre quincaillerie pour l'installation de coulisseaux ou de tablette pour supporter le four (au besoin)
- Lunettes de sécurité

OUTILS ÉLECTRIQUES ET PIÈCES NÉCESSAIRES (NON FOURNIS)

- Boîte de jonction
- Câble électrique (fil à 3 ou 4 conducteurs selon les exigences des codes locaux)
- Connecteurs de conduit homologués UL
- Coupe-fil et dénudeuse

MONTAGE ENCASTRÉ

Cette méthode d'installation permet de placer l'unité avec la façade de niveau avec celle de l'armoire.

IMPORTANT : UN HAUT NIVEAU DE COMPÉTENCE EN MENUISERIE EST REQUIS. Des armoires hors normes peuvent être requises.

La bordure du cadre de l'armoire est exposée avec l'installation encastrée.

Les taquets latéraux peuvent être visibles et devraient être une surface finie.

PLANIFICATION

- Ces fours peuvent être installés directement dans une armoire de four de 30 po.
- Les dimensions de découpage ne sont PAS les mêmes pour l'installation avec ou sans tiroir de rangement des accessoires. Veillez à faire la découpe de la bonne dimension lors de la préparation de l'ouverture.

IMPORTANT

– Ce four n'est pas approuvé pour l'utilisation au-dessus d'un autre four encastré Advantium Speedcook ni pour l'installation côte à côte ou sous un comptoir.

- Pour votre sécurité, ce four ne doit pas être installé dans des armoires aménagées en îlot ou en péninsule.
- Le four doit être installé au moins 36-3/4 po au-dessus du plancher.
- Prévoyez un dégagement entre le four et les coins, les murs, les tiroirs, etc. adjacents.
- Les armoires adjacentes aux fours encastrés doivent posséder des caractéristiques d'adhérence avec cote de température d'au moins 194 °F (90 °C).

Le four doit être solidement installé dans une armoire qui est solidement fixée à la structure de l'habitation. Une lourde charge posée sur la porte du four pourrait faire basculer le four et causer des blessures. Ne permettez jamais à personne de grimper, de s'asseoir, de se tenir debout sur la porte du four, ni même de s'y accrocher.

Si le tiroir de rangement d'accessoires est installé, il doit être monté au four avant l'installation dans l'armoire.

Reportez-vous aux instructions de montage du tiroir de rangement des accessoires.

Préparatifs avant l'installation

EXIGENCES ÉLECTRIQUES

Installation Advantium simple

Le produit est coté à 120/208 ou 120/240 volts, 60 Hz, 30 ampères. Ce produit doit être branché à un circuit d'alimentation de tension et de fréquence appropriées et protégé par un disjoncteur ou un fusible temporisé. L'alimentation doit être fournie par un circuit de dérivation distinct et indépendant de 30 ampères. La grosseur des fils doit être conforme aux exigences du Code national de l'électricité ou du code local en vigueur.

Installation combinée Advantium et four encastré

Lors de l'installation en combinaison avec un four encastré simple, utilisez des boîtes de jonction électrique distinctes. Reportez-vous aux instructions d'installation de four simple pour les exigences électriques de ce produit.

Ces raccordements doivent être effectués par un technicien qualifié. Tous les raccordements électriques doivent respecter le Code national de l'électricité ou les codes locaux en vigueur.

Installation combinée Advantium et tiroir-réchaud

Lors de l'installation d'un four Advantium au-dessus d'un tiroir-réchaud électrique, une prise de courant de 120 V, 60 Hz, adéquatement mise à la terre doit être installée. Reportez-vous aux instructions d'installation comprises avec le tiroir-réchaud.

⚠ AVERTISSEMENT

- L'alimentation électrique du circuit de dérivation du four doit être coupée avant de faire les raccordements.
- Utilisez seulement du fil de cuivre.
- Cet appareil exige la mise à la terre. L'extrémité libre du fil vert (fil de terre) doit être raccordée à une prise de terre adéquate. Ce fil doit demeurer mis à la terre sur le four.
- Si le tuyau d'eau froide est interrompu par un joint d'étanchéité ou un raccord union en plastique ou non métallique ou tout autre matériau isolant, ne l'utilisez PAS pour la mise à la terre.
- Ne faites PAS la mise à la terre sur un tuyau de gaz.
- Il ne doit PAS y avoir de fusible sur le NEUTRE ou la MISE À LA TERRE du circuit. Un fusible sur le NEUTRE ou la MISE À LA TERRE du circuit peut entraîner l'électrocution.
- Renseignez-vous auprès d'un électricien qualifié si vous avez des doutes concernant la qualité de la mise à la terre de votre appareil.

Le non-respect de ces instructions peut entraîner de graves blessures ou la mort.

INSTRUCTIONS DE MISE À LA TERRE

⚠ AVERTISSEMENT

Si l'appareil n'est pas correctement mis à la terre, l'utilisateur s'expose à un risque d'électrocution.

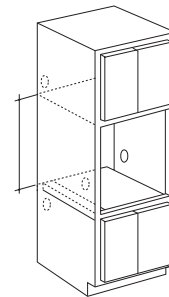
Cet appareil doit être raccordé à un câblage permanent, métallique, mis à la terre ou un conducteur de terre doit être acheminé avec les conducteurs du circuit et raccordé à la borne ou au fil de terre de l'appareil.

INSTALLATION DE LA BOÎTE DE JONCTION

Le conduit se trouve dans la partie supérieure droite à l'arrière du four. Positionnez et installez la boîte de jonction à portée du conduit du four.

- À travers la paroi gauche ou droite de l'armoire et dans l'armoire adjacente.
- Ou à travers la découpe du plancher.
- Ou dans l'armoire supérieure.

Hauteur de la découpe



Préparatifs avant l'installation

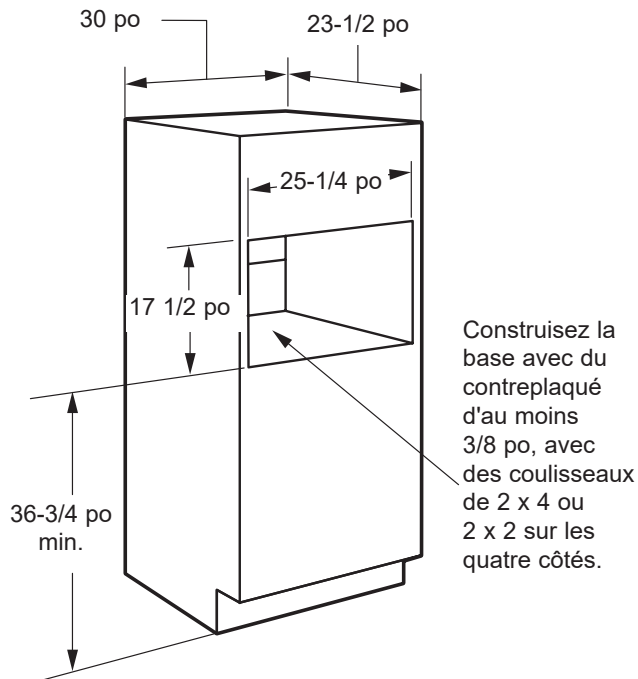
IMPORTANT : Maintenez toujours une hauteur minimum de 36-3/4 po au-dessus du plancher jusqu'à la découpe d'une installation simple ou combinée.

PRÉPARATION DE L'OUVERTURE

L'Advantium 240 V peut être installé en combinaison avec d'autres appareils encastrés. Suivez toujours les instructions d'installation de chaque produit.

Installation d'un Advantium 240 V simple :

Commandez une armoire pour four encastré simple de 30 po ou découpez l'ouverture dans un mur aux dimensions indiquées.



- Maintenez toujours une hauteur minimum de 36-3/4 po au-dessus du plancher à la découpe d'une installation simple ou combinée.
- Laissez un chevauchement de moulure de 2-1/8 po sur les côtés et un chevauchement de 1 po sur la base de l'ouverture pour tous les modèles. Laissez un chevauchement de moulure de 2-1/4 po sur le dessus.
- Le chevauchement du four camouflera tous les bords découpés de l'ouverture.

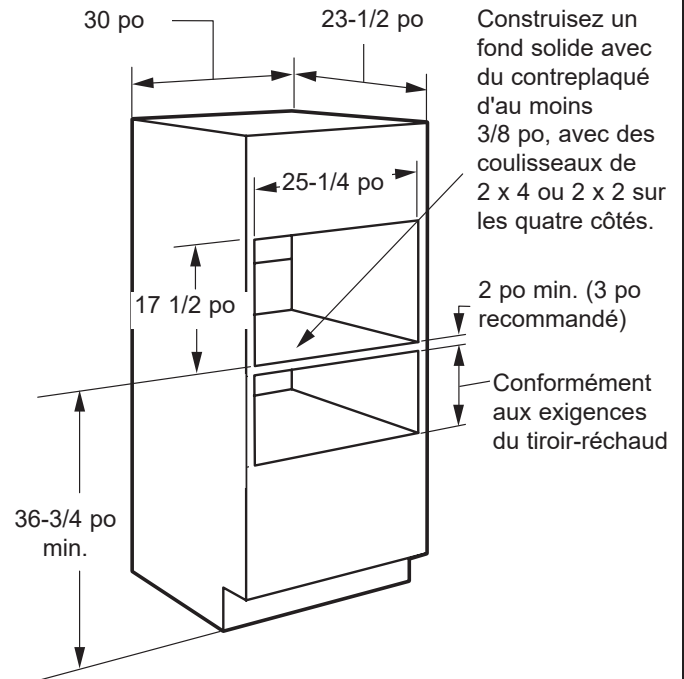
Lors de l'installation d'un four simple ou d'un tiroir-réchaud, prévoyez au moins 2 po entre les deux ouvertures. Cette séparation fournit un dégagement suffisant pour le chevauchement de l'Advantium 240 V et de l'autre appareil.

Construisez une base solide en contreplaqué d'au moins 3/8 po d'épaisseur, soutenue par des coulisseaux de 2 x 4 ou de 2 x 2 sur tous les côtés.

- Le support doit être de niveau, solidement fixé et affleurant avec le bord inférieur de la découpe.

PRÉPARATION DE L'OUVERTURE (suite)

Installation au-dessus d'un tiroir-réchaud :



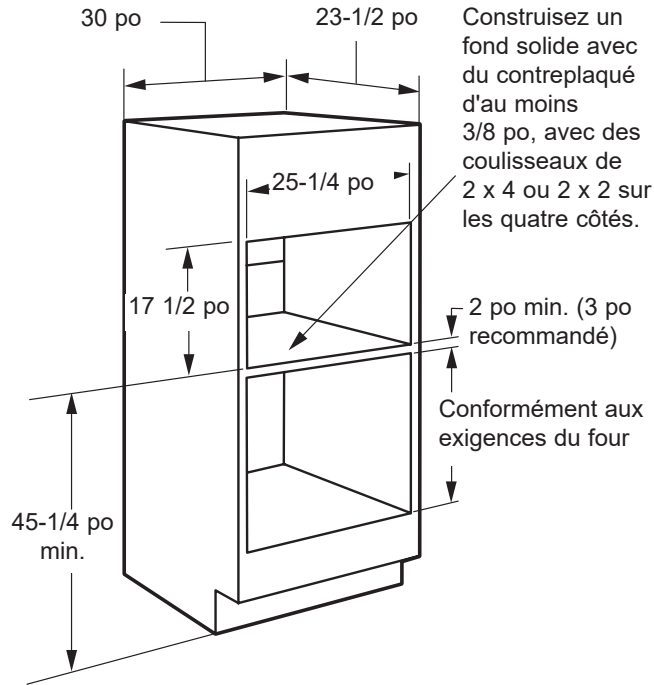
REMARQUE : Un dégagement supplémentaire entre les découpes peut être nécessaire. Assurez-vous que les supports de four au-dessus du tiroir-réchaud n'obstruent pas les dégagements de profondeur et de hauteur requis à l'intérieur. Consultez les instructions d'installation du tiroir-réchaud pour les détails.

Préparatifs avant l'installation

IMPORTANT : Maintenez toujours une hauteur minimum de 36-3/4 po au-dessus du plancher jusqu'à la découpe d'une installation simple ou combinée.

PRÉPARATION DE L'OUVERTURE (suite)

Installation au-dessus d'un four encastré :



Construisez un fond solide avec du contreplaqué d'au moins 3/8 po, avec des coulisseaux de 2 x 4 ou 2 x 2 sur les quatre côtés.

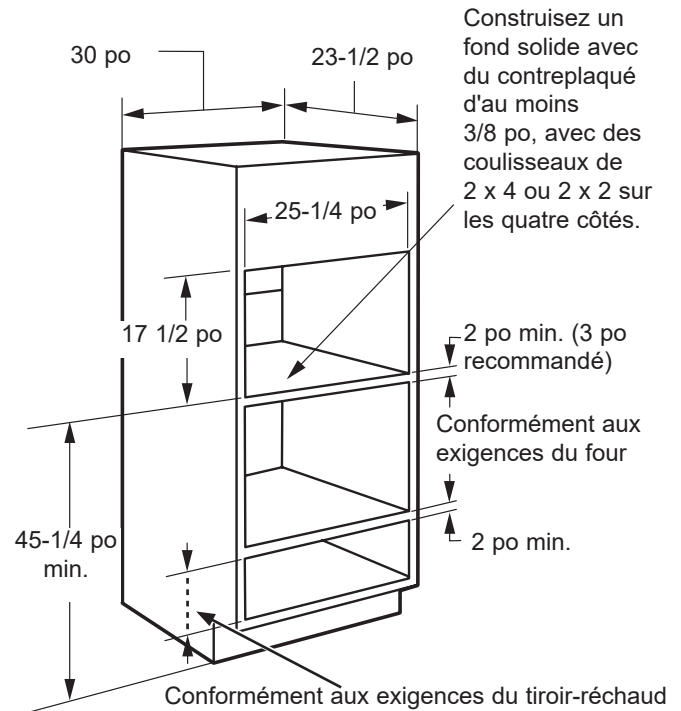
2 po min. (3 po recommandé)

Conformément aux exigences du four

- Si vous remplacez un four encastré double avec une combinaison d'un Advantium 240 V et d'un four simple, utilisez les dimensions indiquées. Le longeron central séparant les deux ouvertures peut devoir être plus grand que le minimum de 2 po indiqué.

PRÉPARATION DE L'OUVERTURE (suite)

Installation au-dessus d'un four encastré et d'un tiroir-réchaud :



Construisez un fond solide avec du contreplaqué d'au moins 3/8 po, avec des coulisseaux de 2 x 4 ou 2 x 2 sur les quatre côtés.

2 po min. (3 po recommandé)

Conformément aux exigences du four

2 po min.

Conformément aux exigences du tiroir-réchaud

REMARQUE : Un dégagement supplémentaire entre les découpes peut être nécessaire. Assurez-vous que les supports de four au-dessus du tiroir-réchaud n'obstruent pas les dégagements de profondeur et de hauteur requis à l'intérieur. Consultez les instructions d'installation du tiroir-réchaud pour les détails.

ATTENTION

Pour votre sécurité, la surface de montage doit être en mesure de supporter la charge des armoires et un poids supplémentaire d'environ 80 lb (36,3 kg) correspondant au poids de ce four, ainsi que la charge du four qui peut atteindre 50 lb (22,7 kg), pour un poids total de 130 lb (59 kg).

Préparatifs de montage encastré

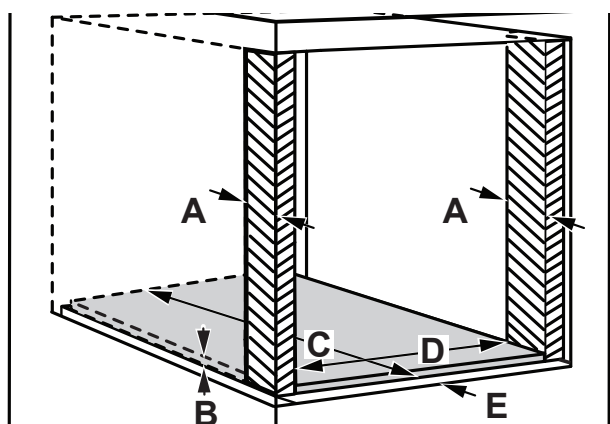
PRÉPARATION DE L'INTÉRIEUR

Coupez et installez les taquets latéraux :

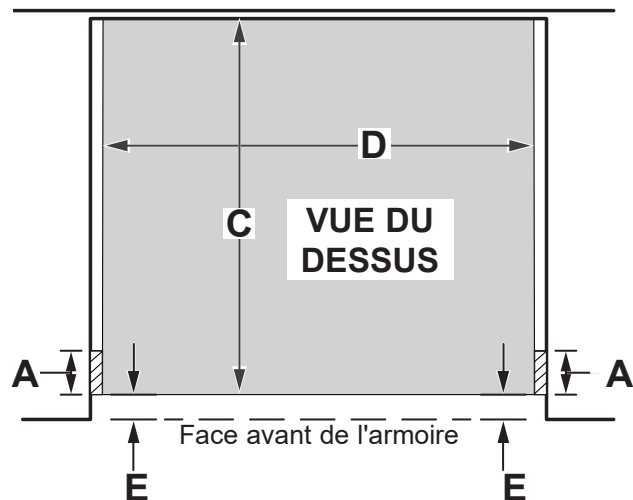
- Coupez les taquets latéraux en bois à la hauteur de l'ouverture de l'armoire et d'une profondeur d'environ 2-1/2 po. Installez-les de chaque côté, à 1-3/8 po de la face de l'armoire.

Coupez et installez le taquet inférieur :

- Coupez le taquet inférieur en bois à une hauteur de 1-1/8 po, une profondeur de celle de l'armoire **moins** 1-3/8 po, et une largeur de 25-1/4 po pour l'insérer entre les taquets latéraux. Installez-le au fond de l'armoire entre les taquets latéraux et poussez-le complètement contre la paroi arrière de l'armoire et assurez-vous que sa face avant s'aligne avec la face avant des taquets latéraux (espace de 1-3/8 po de la face avant de l'armoire).



| | | |
|---|---------------------------------|--|
| A | Profondeur des taquets latéraux | Min. de 2-1/2 po |
| B | Hauteur du taquet inférieur | 1-1/8 po |
| C | Profondeur du taquet inférieur | Profondeur de l'armoire moins 1-3/8 po |
| D | Largeur du taquet inférieur | 25-1/4 po |
| E | Les trois taquets | 1-1/4 po |

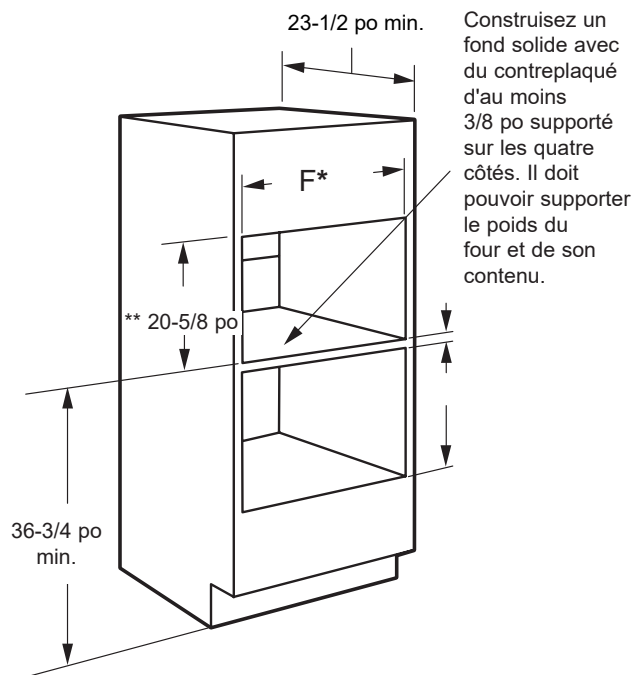


PRÉPARATION DE L'OUVERTURE

Le four encastré Advantium peut être installé en combinaison avec d'autres fours encastrés Advantium. Suivez toujours les instructions d'installation de chaque produit.

Installation d'un four encastré Advantium simple :

Découpez l'ouverture dans une armoire aux dimensions indiquées.



- Le support doit être de niveau, solidement fixé et affleurant avec le bord inférieur de la découpe.

| Installation encastrée approuvée | Dimension F | |
|--|-----------------|-----------------|
| | Jouée de 1/8 po | Jouée de 1/4 po |
| Advantium simple | 30 po | 30-1/4 po |
| Au-dessus d'un tiroir-réchaud | 30 po | 30-1/4 po |
| Au-dessus d'un four | 30 po | 30-1/4 po |
| Au-dessus d'un four et d'un tiroir-réchaud | 30 po | 30-1/4 po |

** Les jouées supérieures et inférieures sont réglées à 1/8 po.

Préparatifs d'installation avec un tiroir de rangement des accessoires

Préparatifs avec un tiroir de rangement des accessoires

Au besoin, consultez les préparatifs d'installations standard OU les préparatifs de montage encastré pour les détails de la configuration. Veuillez noter la hauteur modifiée de la découpe ci-dessous.

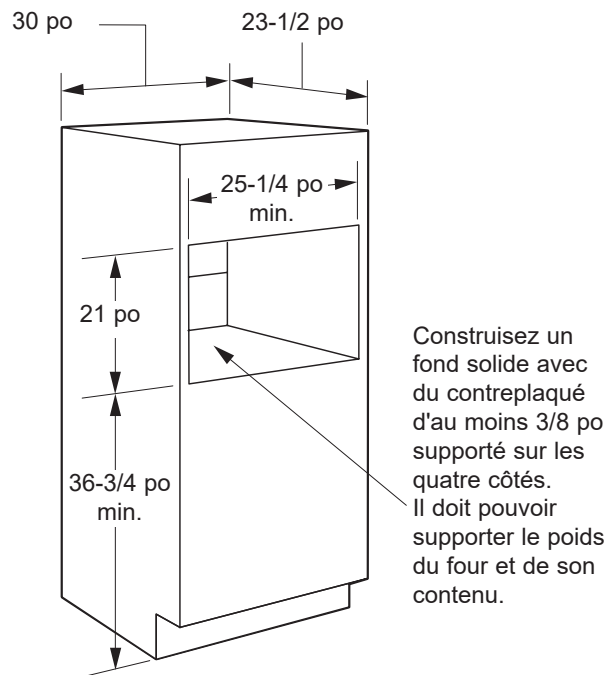
PRÉPARATION DE L'OUVERTURE (suite)

Le four encastré Advantium peut être installé en combinaison avec d'autres appareils Électroménagers GE/Monogram. Suivez toujours les instructions d'installation de chaque produit.

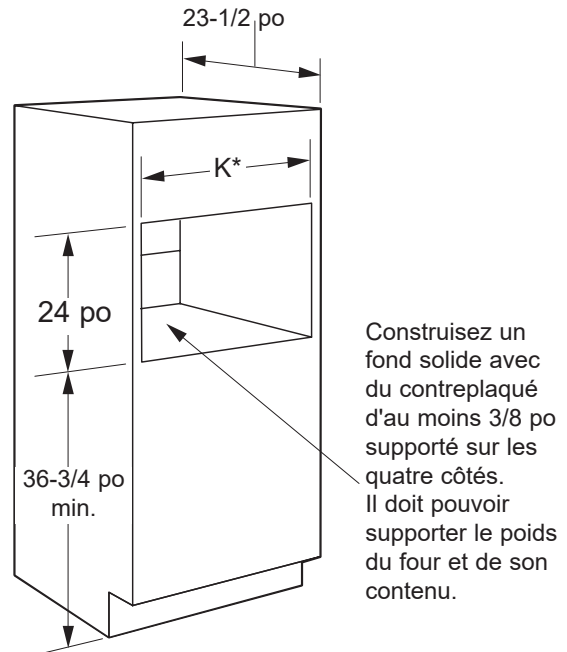
Installation d'un four encastré Advantium simple :

Commandez une armoire pour four encastré simple de 30 po ou découpez l'ouverture dans un mur aux dimensions indiquées.

MONTAGE STANDARD :



MONTAGE ENCASTRÉ :



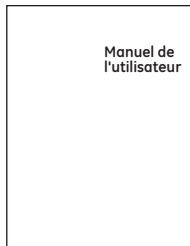
| Dimension | Jouée de 1/8 po | Jouée de 1/4 po |
|-----------|-----------------|-----------------|
| K | 30 po | 30-1/4 po |

- Laissez un chevauchement de moulure de 2-1/8 po sur les côtés, un chevauchement de 2-1/4 po sur le dessus et un chevauchement de 1 po sur la base de l'ouverture pour tous les modèles.
- Le chevauchement du four camouflera tous les bords découpés de l'ouverture.
- Lors de l'installation d'un four simple ou d'un tiroir-réchaud, prévoyez au moins 2 po entre les deux ouvertures. Cette séparation fournit un dégagement suffisant pour le chevauchement du four encastré Advantium et de l'autre appareil.
- Le support doit être de niveau, solidement fixé et affleurant avec le bord inférieur de la découpe.

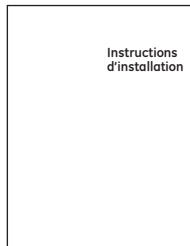
Instructions d'installation

1 RETIRER L'EMBALLAGE ET LES PIÈCES

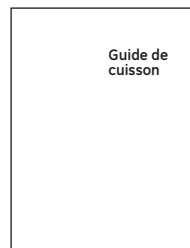
- Retirez tout le matériel d'emballage et le ruban adhésif.
- Repérez le sachet de pièces contenant les vis de montage.
- Retirez le four de la boîte. Ne soulevez pas le four par la poignée ou le conduit. Il faut deux personnes pour lever ce four.
- Ouvrez la porte et retirez l'emballage se trouvant dans le four.



Manuel de l'utilisateur



Instructions d'installation



Guide de cuisson



Plateau en verre



Anneau du plateau tournant



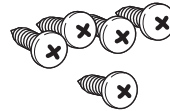
Plateau métallique



Plateau grillagé métallique



Grille



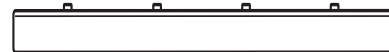
5 vis de couleur coordonnée
(4 requises,
1 supplémentaire)



8 vis de laiton pour la
finition inférieure
(3 requises,
5 supplémentaires)



Vis à tête plate (4 supplémentaires)



Finition inférieure

IMPORTANT : En cas d'installation du four encastré Advantium avec un tiroir de rangement des accessoires, lisez les instructions d'assemblage du tiroir afin d'assembler les produits ensemble avant de passer à l'étape 2.

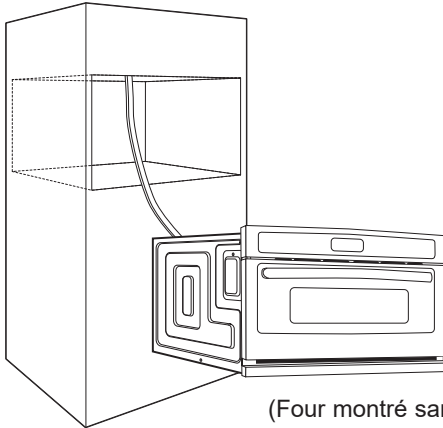
Instructions d'installation

2 ACHEMINER LE CONDUIT DANS LA DÉCOUPE

ATTENTION Il faut deux personnes pour lever le four et le placer dans l'ouverture. Saisissez le fond à l'avant et à l'arrière. Jetez la base en mousse. N'UTILISEZ PAS LA POIGNÉE OU LE CONDUIT POUR SOULEVER LE FOUR; CELA POURRAIT CAUSER DES DOMMAGES.

Avec le four devant l'ouverture de l'armoire :

- Insérez le conduit dans l'ouverture de l'armoire. Raccordez le câblage au circuit de dérivation.
- Soulevez le four dans l'ouverture en continuant à pousser le conduit dans la direction de la boîte de jonction installée. Assurez-vous que le conduit n'est pas pincé entre l'arrière du four et la paroi de l'armoire.
- Laissez le four dépasser le devant de l'armoire de quelques pouces. Ne poussez pas l'appareil complètement dans la découpe.



(Four montré sans le tiroir de rangement des accessoires.)

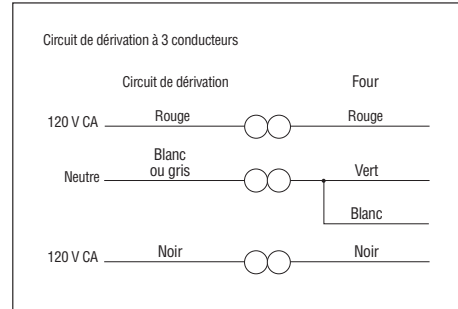
AVERTISSEMENT

- Coupez l'alimentation à la boîte de jonction avant de faire les raccordements électriques.
- Cet appareil exige la mise à la terre.
- Ne raccordez pas l'alimentation électrique avant que l'appareil ne soit mis à la terre en permanence.

2 ACHEMINER LE CONDUIT DANS LA DÉCOUPE (suite)

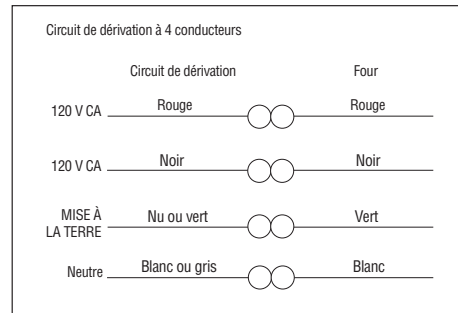
Raccordement au circuit de dérivation à 3 conducteurs :

- Raccordez le fil rouge du four au fil rouge du circuit de dérivation.
- Raccordez le fil noir du four au fil noir du circuit de dérivation.
- Raccordez le fil de terre vert et le fil blanc du four au fil neutre du circuit de dérivation (blanc ou gris).



Raccordement au circuit de dérivation à 4 conducteurs :

- Raccordez le fil rouge du four au fil rouge du circuit de dérivation.
- Raccordez le fil noir du four au fil noir du circuit de dérivation.
- Rompez la connexion entre le fil blanc et le fil de terre vert du four.
- Raccordez le fil blanc du four au fil neutre du circuit de dérivation (blanc ou gris).
- Raccordez le fil de terre vert du four au fil de terre du circuit de dérivation (vert ou cuivre nu).

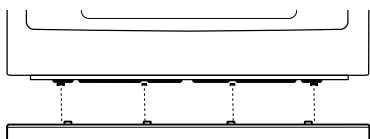


Instructions d'installation

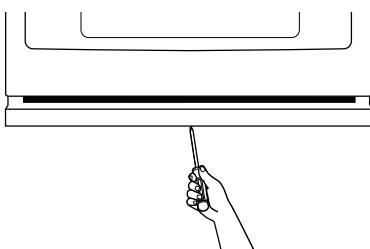
3 INSTALLER LA FINITION INFÉRIEURE

REMARQUE : Si vous installez le four Advantium 240 V avec un tiroir de rangement des accessoires, la finition inférieure n'est pas requise. Passez à l'étape 4.

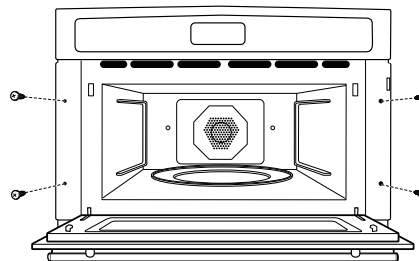
- Alignez les pattes de finition inférieure avec les fentes dans le bas du four.



- À l'aide de 3 vis en laiton fournies, fixez la finition inférieure au bas du four.



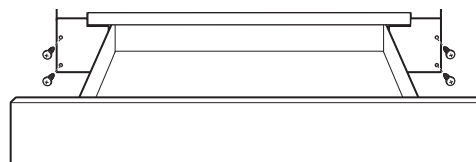
4 INSTALLER LES VIS DE MONTAGE



- Glissez le four le reste du chemin dans l'ouverture de manière à ce que les brides latérales et le panneau de commande reposent contre le cadre de l'armoire. Assurez-vous que le four est centré dans l'ouverture.
- Ouvrez la porte, placez le plateau tournant dans le four et vérifiez que le plateau est de niveau.
- Percez des avant-trous à travers les brides latérales.
- Vissez les vis de couleur coordonnée dans les brides latérales. Nous recommandons de serrer les vis à la main.

Si vous installez le four avec un tiroir de rangement des accessoires :

- Ouvrez le tiroir.
- Percez des avant-trous à travers les brides latérales.
- Vissez les vis de couleur coordonnée dans les brides latérales. Nous recommandons de serrer les vis à la main.



5 FINALISER L'INSTALLATION

- Rétablissez l'alimentation à la source. La lumière intérieure devrait s'allumer automatiquement lorsque la porte est ouverte.
- Consultez le Manuel de l'utilisateur pour le mode d'emploi.

Notes

Notes

REMARQUE : Lors de la procédure d'installation décrite dans ce manuel, il est recommandé de porter des lunettes de sécurité.

REMARQUE : L'amélioration des produits est un effort continu chez General Electric. Par conséquent, les matériaux, l'apparence et les spécifications peuvent être modifiés sans préavis.



ÉLECTROMÉNAGERS GE