

# Installation Instructions

## 30" French Door Built-in Wall Ovens

**Questions?** Call 1.800.GE.CARES (1.800.432.2737) or visit [www.GEAppliances.com](http://www.GEAppliances.com)

In Canada, call 1.800.561.3344 or visit [www.GEAppliances.ca](http://www.GEAppliances.ca)

### BEFORE YOU BEGIN

Read these instructions completely and carefully.

- **IMPORTANT** — Save these instructions for local inspector's use.
- **IMPORTANT** — Observe all governing codes and ordinances.
- **Note to Installer** – Be sure to leave these instructions with Consumer.

- **Note to Consumer** – Keep these instructions for future reference.
- **Skill level** – Installation of this appliance requires a qualified installer or electrician.
- Proper installation is the responsibility of the installer.
- Product failure due to improper installation is not covered under Warranty.
- Product is for indoor use only.

**ATTENTION INSTALLER:** All electric wall ovens must be hard-wired (direct-wired) into an approved junction box. A plug and receptacle is NOT permitted on these products.

### FOR YOUR SAFETY:

**⚠ WARNING:** Before beginning the installation, switch power off at the service panel and lock the service disconnecting means to prevent power from being switched on accidentally. When the service disconnecting means cannot be locked, securely fasten a prominent warning device, such as a tag, to the service panel.

Be sure the oven is securely installed in a cabinet that is firmly attached to the house structure. Weight on the oven door could cause the oven to tip and result in injury. Never allow anyone to climb, sit, stand or hang on the oven door.

Make sure the wall coverings, counters and cabinets around the oven can withstand the heat (up to 200°F [93.3°C]) generated by the oven.

### MATERIALS YOU MAY NEED

Junction Box  
Wire Nuts  
Strain Relief Clamp for 1/2" Conduit

### TOOLS YOU MAY NEED

1/8" Drill Bit and Electric or Hand Drill  
Phillips Screwdriver  
Wire Strippers  
9/16" Socket Wrench  
1/8" Hex Key

## 1 REMOVE PACKAGING MATERIALS

Failure to remove packaging materials could result in damage to the appliance. Remove all packing parts from oven, racks and heating elements. Remove protective film and labels on the outer door and control panel. Also, remove plastic on trims and panel, all tape around the oven and any shipping screws securing the oven to the base pad. Open oven door and remove literature pack and oven racks. Remove the bottom trim from the top of the oven. It will be installed at the end of the installation process. The trim is wrapped separately and taped to the top of the unit.

## DESIGN INFORMATION

### FRENCH DOOR SINGLE OVEN INSTALLATIONS

The French Door single oven may be installed in a cabinet alone or above a warming drawer and/or below a Microwave/Advantium. However, the French Door single oven is not allowed under a countertop or cooktop, and it is not allowed to be installed flush to the front surface of the cabinet.

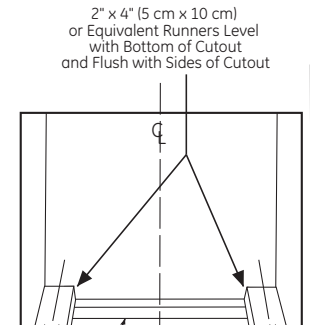
**IMPORTANT:** Always refer to individual installation instructions packed with each product for specific requirements.

## 2 PREPARE THE OPENING

**NOTE:** If the cabinet does not have a solid bottom, two braces or runners must be installed to support the weight of the oven. For French Door ovens, the runners and braces must support 220 lbs (98.8 kg).

**NOTE:** If marks, blemishes or the cutout opening are visible above the installed oven, it may be necessary to add wood shims under the runners and front trim until the marks or opening are covered.

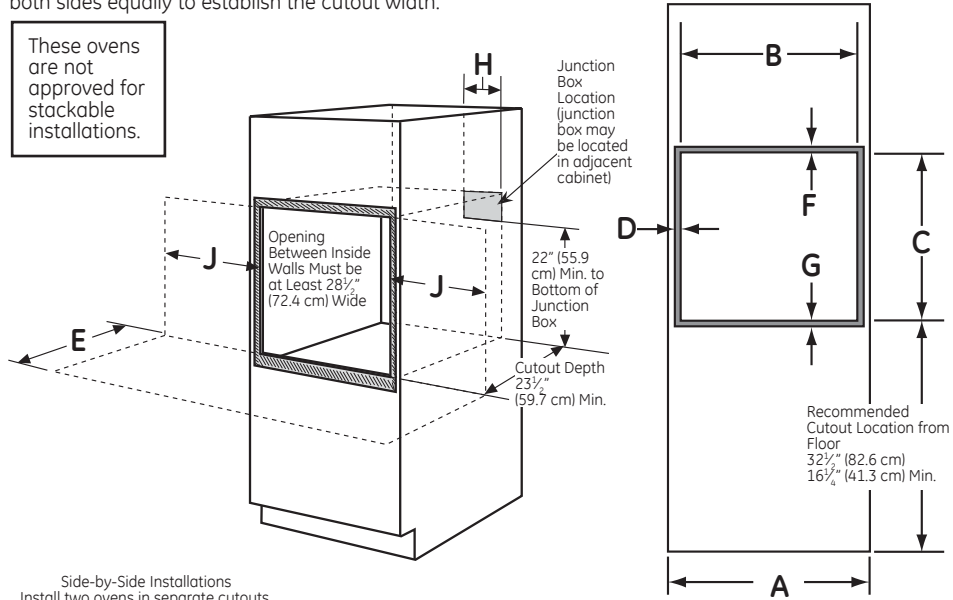
**NOTE:** If the cabinet does not have a front frame and the sides are less than 3/4" (1.9 cm) thick, shim both sides equally to establish the cutout width.



## 2 A CUTOUT FOR SINGLE OVENS IN WALL CABINET

**NOTE:** If the cabinet does not have a front frame and the sides are less than 3/4" (1.9 cm) thick, shim both sides equally to establish the cutout width.

These ovens are not approved for stackable installations.



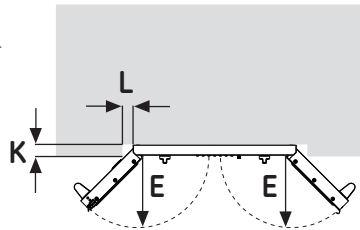
Side-by-Side Installations  
Install two ovens in separate cutouts.  
Center Line Center Line

30" Models  
58 1/2" (148.6 cm) if both ovens are French Door  
42 1/2" (108 cm) if only one oven is French Door

Cutout - observe all dimensions and requirements.

Cutout - observe all dimensions and requirements.

30" (76.2 cm) Min. if both ovens are French Door  
14" (35.6 cm) Min. if only one oven is French Door



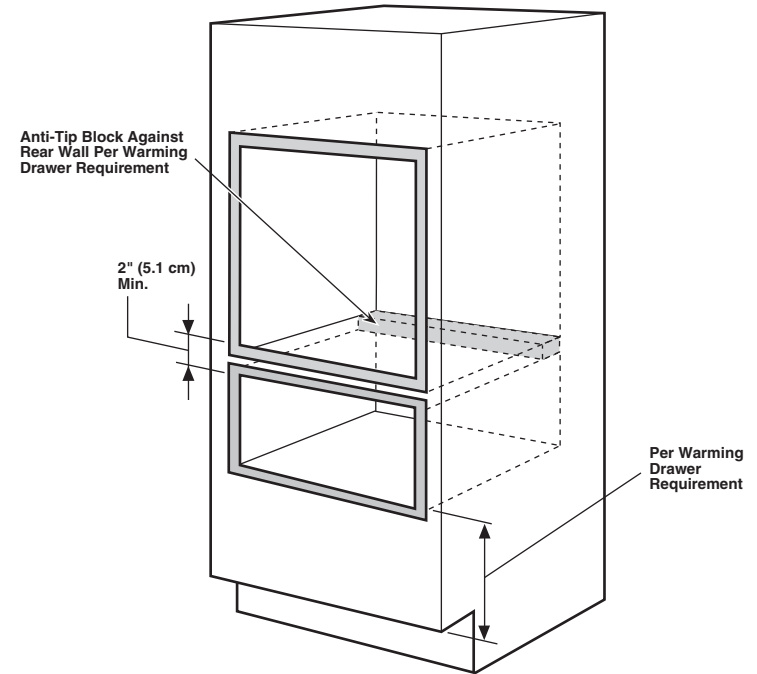
Dimension	Dimension Description	30" Single Oven
A	Cabinet width	30" (76.2 cm)
B	Cutout width	28 1/2" (72.4 cm) min. 28 5/8" (72.7 cm) max.
C	Cutout height	27 1/4" (69.2 cm) min. 27 3/16" (69.4 cm) max.
D	Overlap of oven over side edges of cutout	1 1/16" (1.75 cm)
E	Door swing depth - Allow additional clearances for installation and oven usage	16 1/4" (41.3 cm) min.
F	Overlap of oven top of cutout	1" (2.5 cm) min.
G	Overlap of oven bottom of cutout	1 1/4" (3.2 cm)
H	Junction box location	9 1/2" (24.1 cm) max. right side only
J	Door swing width - Allow additional clearances for installation and oven usage	14" (35.6 cm) min.
K	Countertop or cabinet door protrusion (measure if exist)	Measure "K"
L	Gap between edge of countertop or cabinet door to cabinet opening	If K = 0, L = 0, Otherwise L = K + 1" (2.54 cm) min.

## 2 B CUTOUT FOR INSTALLATION OVER A WARMING DRAWER

**NOTE:** Install the oven only with specific models listed on the label located on top of the oven.

**NOTE:** Additional clearances between cutouts may be required. Check to be sure the oven supports above the Warming Drawer location do not obstruct the required interior depth and height.

When installing a Warming Drawer below a single or double oven, a separate 120V, 60 HZ, properly grounded receptacle must be installed. Refer to installation instructions packed with the Warming Drawer for specific installation requirements.

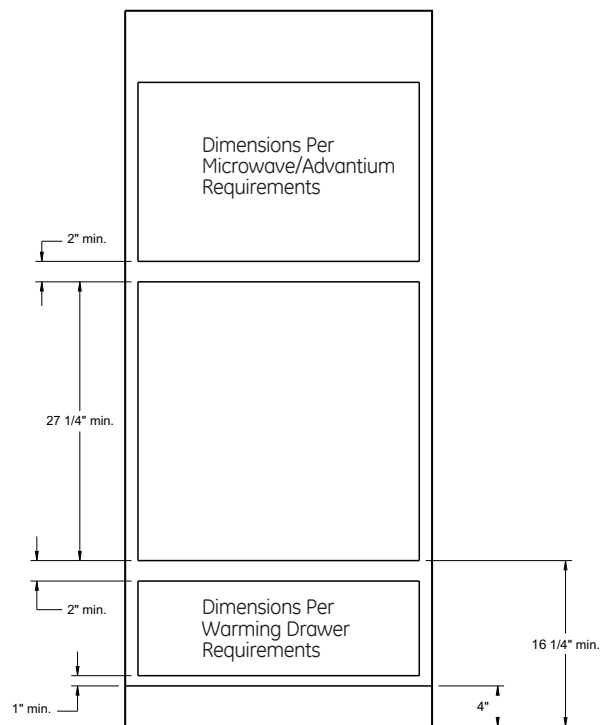


## 2 C CUTOUT FOR FRENCH DOOR UNDER A MICROWAVE/ADVANTIUM AND OVER A WARMING DRAWER

**NOTE:** Install the oven only with specific models listed on the label located on top of the oven.

**NOTE:** Additional clearances between cutouts may be required. Check to be sure the oven supports above the Warming Drawer location do not obstruct the required interior depth and height.

When installing a Warming Drawer below a single or double oven, a separate 120V, 60 HZ, properly grounded receptacle must be installed. Refer to installation instructions packed with the Warming Drawer for specific installation requirements.



## 3 ELECTRICAL REQUIREMENTS

**⚠ WARNING:** This appliance must be properly grounded.

**⚠ WARNING:** To prevent fire or shock, do not use an extension cord with this appliance.

**⚠ WARNING:** To prevent shock, remove house fuse or open circuit breaker before beginning installation.

**⚠ WARNING:** Improper connection of aluminum house wiring to copper leads can result in an electrical hazard or fire. Use only connectors designed for joining copper to aluminum and follow the manufacturer's recommended procedure closely.

We recommend you have the electrical wiring and hookup of your appliance connected by a qualified electrician. After installation, have the electrician show you how to disconnect power from the appliance.

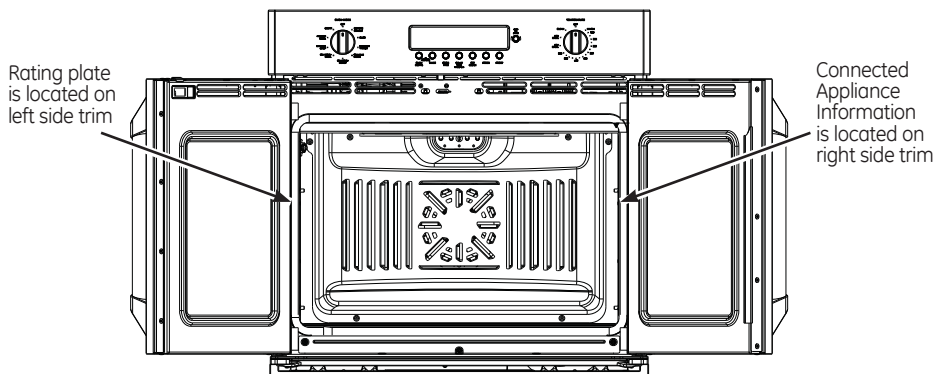
You must use a single-phase, 120/208 VAC or 120/240 VAC, 60 Hertz electrical system. If you connect to aluminum wiring, properly installed connectors approved for use with aluminum wiring must be used.

Effective January 1, 1996, the National Electrical Code requires that new construction (not existing) utilize a four-conductor connection to an electric oven. When installing an electric oven in new construction, a mobile home, recreational vehicle or an area where local codes prohibit grounding through the neutral conductor, refer to the section on four-conductor branch circuit connections.

Check with your local utilities for electrical codes which apply in your area. Failure to wire your oven according to governing codes could result in a hazardous condition. If there are no local codes, your oven must be wired and fused to meet the National Electrical Code, NFPA No. 70 - latest edition, available from the National Fire Protection Association.

### 3 ELECTRICAL REQUIREMENTS (CONT.)

This appliance must be supplied with the proper voltage and frequency and connected to an individual, properly grounded branch circuit, protected by a circuit breaker or fuse. See the rating plate located on the oven frame to determine the rating of the product.



Use the chart below to determine the minimum recommended dedicated circuit protection:

KW Rating 240V	KW Rating 208V	Recommended Circuit Size (Dedicated)
≤4.8 KW	≤4.1 KW	20 Amp
4.9 KW–7.2 KW	4.2 KW–6.2 KW	30 Amp
7.3 KW–9.6 KW	6.3 KW–8.3 KW	40 Amp
9.7 KW–12.0 KW	8.4 KW–10.4 KW	50 Amp

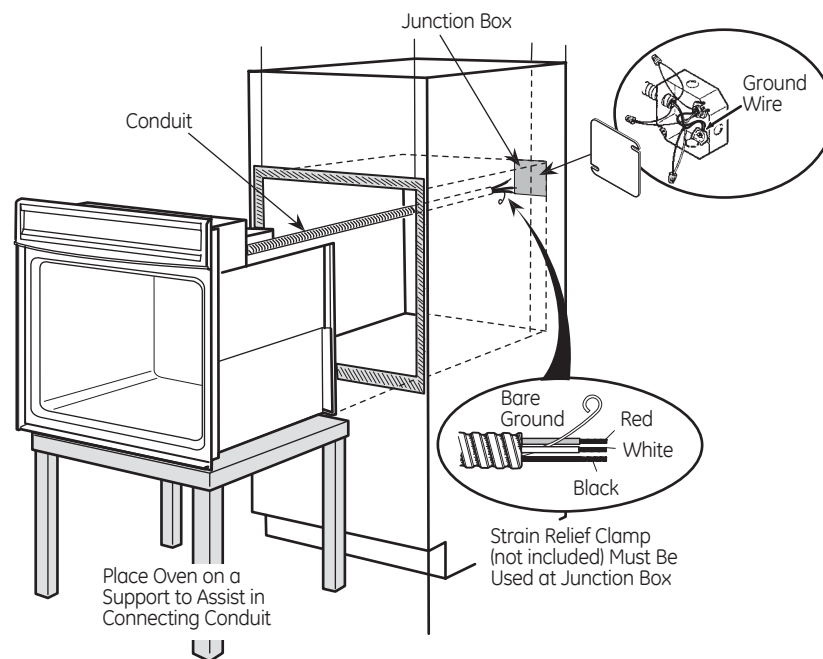
DO NOT shorten the flexible conduit. The conduit strain relief clamp must be securely attached to the junction box and the flexible conduit must be securely attached to the clamp. If the flexible conduit will not fit within the clamp, do not install the oven until a clamp of the proper size is obtained.

The 3 power leads supplied with this appliance are suitable for connection to heavier gauge household wiring. The insulation of these 3 leads is rated for temperatures much higher than the temperature rating of the household wiring. The current-carrying capacity of the conductor is governed by the wire gauge and the temperature rating of the insulation around the wire.

### 4 MAKE ELECTRICAL CONNECTIONS

**⚠ WARNING:** Switch power off at the service panel and lock the service disconnecting means to prevent power from being switched on accidentally. When the service disconnecting means cannot be locked, securely fasten a prominent warning device, such as a tag, to the service panel.

Place oven on table or platform even with the cutout opening. For a French Door oven, the platform must support 220 lbs. (98.8 kg). Connect the flexible conduit to the electrical junction box as shown below\*. Position the conduit in such a manner that it will lie behind the unit in a natural loop when the oven is installed. You will need to purchase an appropriate strain relief clamp to complete the connection of the conduit to the junction box.



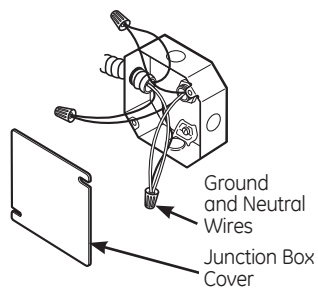
\*Ovens come equipped with a 40" long conduit. If a longer conduit is desired, there may be one available for your model. To check availability or order parts, call 1.800.GE.CARES.

## 5 THREE-CONDUCTOR BRANCH CIRCUIT CONNECTION

**NOTE:** If residence leads are aluminum conductors, see **WARNING** in Section 3, Electrical Requirements.

When connecting to a three-conductor branch circuit, if local codes permit:

- A. Connect the bare oven ground conductor with the crimped neutral (white) lead to the branch circuit neutral (white or gray in color), using a wire nut.
- B. Connect the oven red lead to the branch circuit red lead and the oven black lead to the branch circuit black lead in accordance with local codes, using wire nuts.
- C. Install junction box cover.



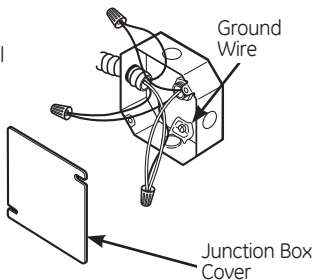
## 6 FOUR-CONDUCTOR BRANCH CIRCUIT CONNECTION

**NOTE:** If residence leads are aluminum conductors, see **WARNING** in Section 3, Electrical Requirements.

- A. Cut the neutral (white) lead from the crimp. Re-strip the neutral (white) lead to expose the proper length of conductor.
- B. Attach the appliance grounding lead (green or bare copper) in accordance with local codes. If the residence grounding conductor is aluminum, see **WARNING** in Section 3.
- C. Connect the oven neutral (white) lead to the branch circuit neutral (white or gray) in accordance with local codes, using a wire nut.
- D. Connect the oven red lead to the branch circuit red lead and the oven black lead to the branch circuit black lead in accordance with local codes, using wire nuts.

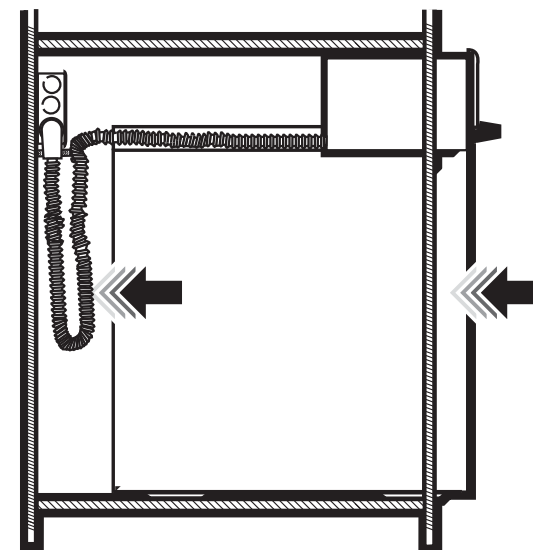
**NOTE:** If the residence red, black or white leads are aluminum conductors, see **WARNING** in Section 3.

- E. Install junction box cover.



## 7 SLIDE OVEN INTO OPENING

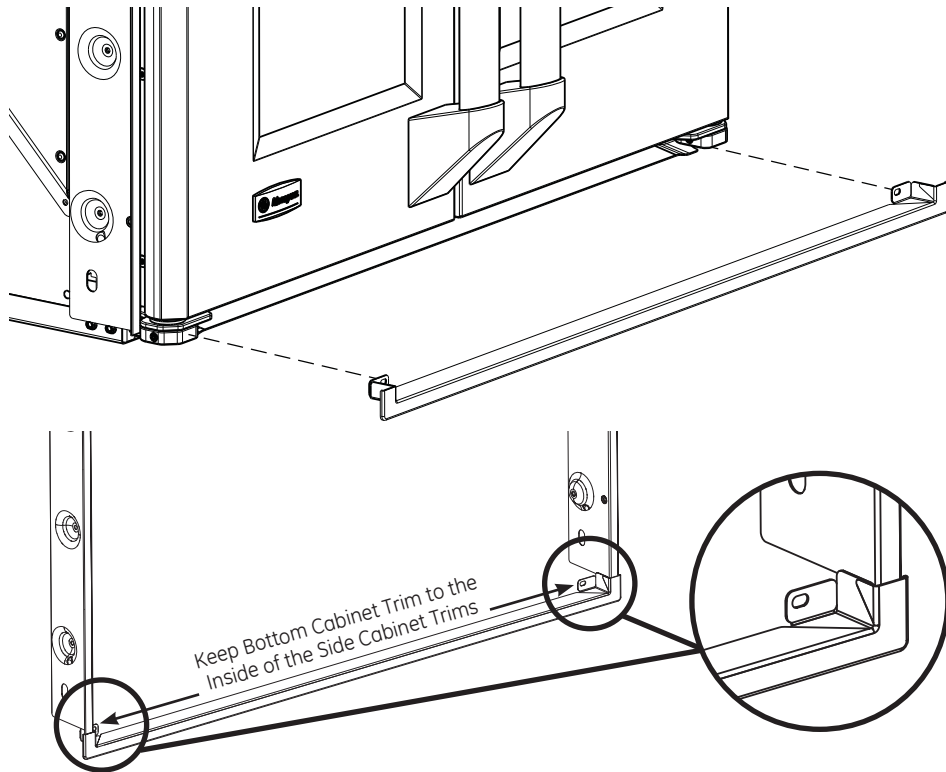
- Lift oven into cabinet cutout using the oven opening as a grip. Carefully push against oven front frame. Do not push against outside edges.



## 8 BOTTOM TRIM INSTALLATION

- Slide oven out by 2" and attach the bottom trim through its mounting holes in front vertical brace using two trim screws provided. Bottom trim lip must be placed under flange of bottom air duct.

SWO's installation



Exercise caution while sliding the unit back in after bottom trim installation. Installer needs to ensure that the trim does not catch the edge of the cabinet and bend. Furthermore, the installer needs to ensure that the cabinet itself is not damaged while the unit is slid back into position.

**⚠ WARNING:** Do not slide oven out more than noted dimension, the unit can tip over and fall causing serious injury & damage.

## 9 MOUNT THE OVEN

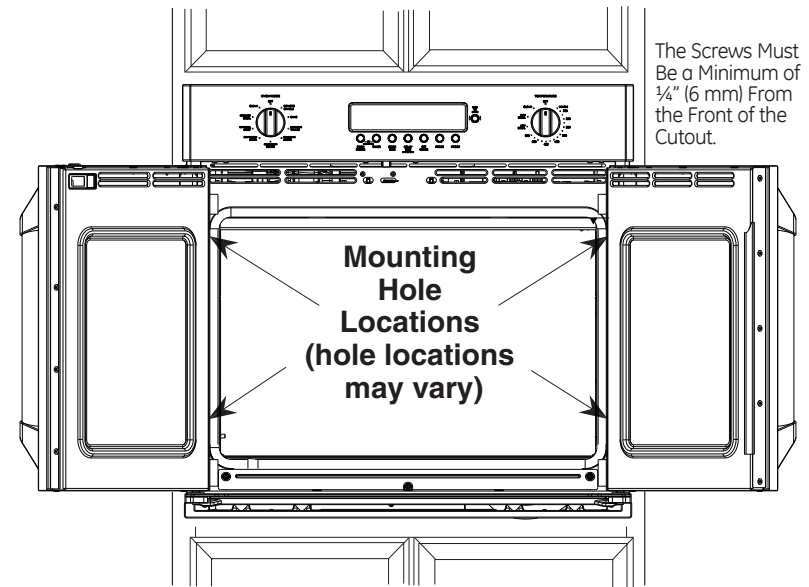
**⚠ WARNING:** Mounting screws must be used. Failure to do so could result in the oven falling out of the cabinet, causing serious injury.

**NOTE:** During oven mounting step, ensure that no damage is done to oven gasket which lines the edge of oven cavity.

**NOTE:** Before drilling the pilot holes, make sure the oven is pushed as far back into the opening as it will go and is centered.

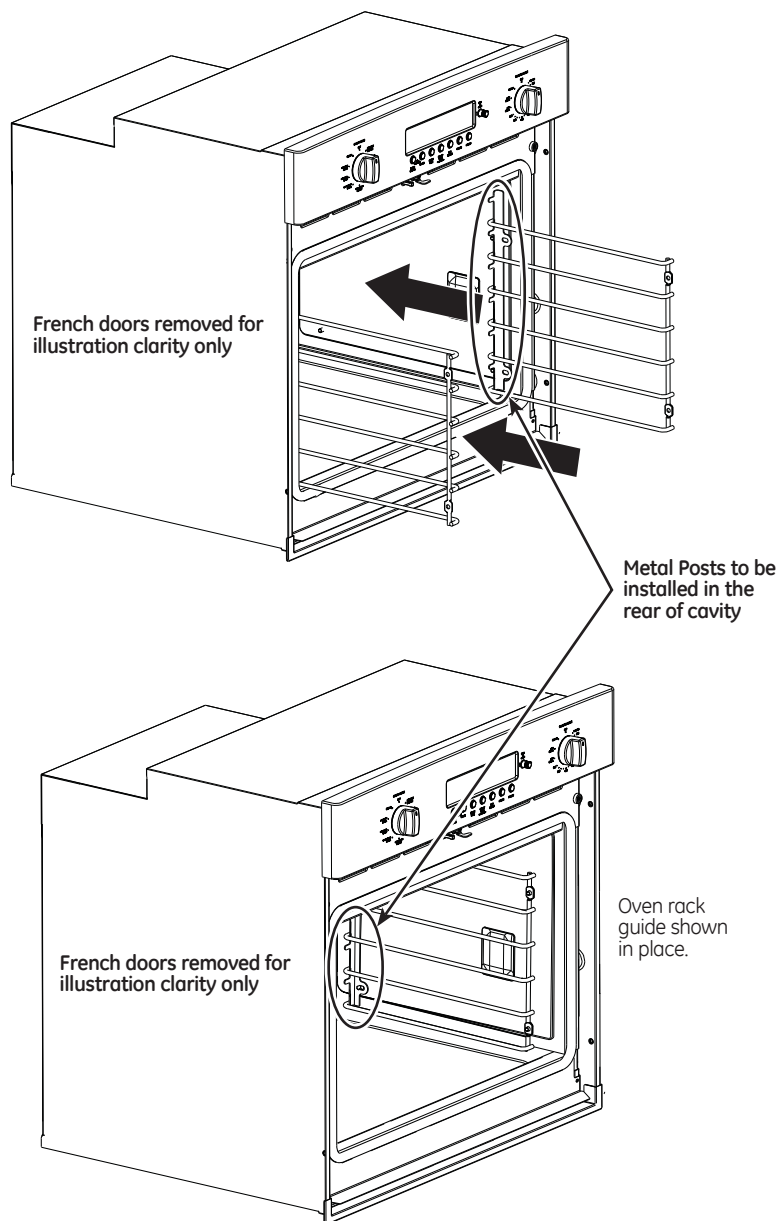
**NOTE:** If the cabinet is particle board, you must use #8 x 3/4" particle board screws. These may be purchased at any hardware store.

- Drill through the mounting holes (top and bottom) of the side trim for the #8 mounting screws provided.
- Secure the oven cabinet with the screws provided.



## 10 OVEN RACK GUIDE INSTALLATION

- Locate included oven rack guide mounting hardware.
- Place oven rack guides on cavity wall studs with L bracket towards back of cavity as shown.
- Install guides using the 8 provided mounting nuts.



## 11 DOOR ADJUSTMENT MECHANISM

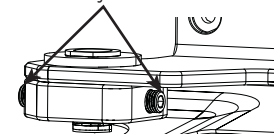
Door Adjustment Mechanism is located on both the right and left doors at the bottom hinges. Only the left side Adjustment Mechanism is shown in this manual.

**NOTE:** Adjust the doors inward only until the center gap is even. Over-adjusting can damage the center seals and make the doors more difficult to open.

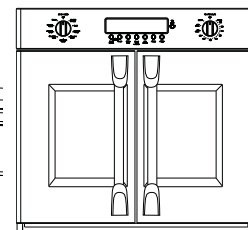
**A.** Using 9/16" socket wrench, tighten Vertical Adjustment Screw to adjust door up and loosen to adjust door down.

**B.** Horizontal Adjustment Screws pivot the door about an axis. Using a 1/8" Hex Key, loosen both screws, then tighten appropriate screw to pivot door. Once door is in place, verify both screws are tightened.

Horizontal Adjustment Screws

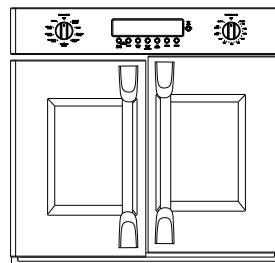


Vertical Adjustment Screw



### EXAGGERATED EXAMPLES FOR LEFT DOOR ADJUSTMENT

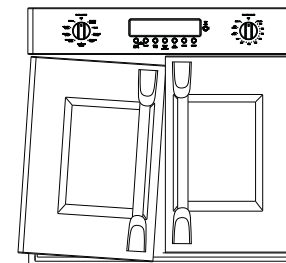
**Example 1: Left door low, center gap even.**



Steps for adjustment:

- Tighten left Vertical Adjustment Screw.
- If left door is still low, loosen right Vertical Adjustment Screw.

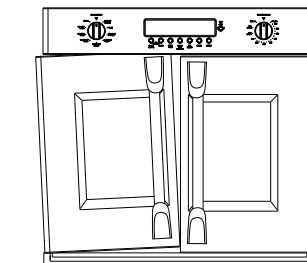
**Example 2: Left door low, center gap larger at bottom.**



Steps for adjustment:

- Loosen inside Horizontal Adjustment Screw.
- Tighten outside Horizontal Adjustment Screw until center gap even.
- If left door is still low, tighten left Vertical Adjustment Screw.
- Tighten inside Horizontal Adjustment Screw.

**Example 3: Left door high, center gap larger at top.**



Steps for adjustment:

- Loosen outside Horizontal Adjustment Screw.
- Tighten Outside Horizontal Adjustment Screw until center gap even.
- If left door is still low, tighten Left Vertical Adjustment Screw.
- Tighten Inside Horizontal Adjustment Screw.

## **12** FINAL INSTALLATION CHECKLIST

- Check to make sure the circuit breaker is closed (RESET) or the circuit fuses are replaced.
- Be sure power is in service to the building.
- Check that all packing material and tape have been removed. Failure to remove these materials could result in damage to the appliance once the appliance has been turned on and surfaces have heated.
- Remove all items from inside the oven.
- Check to be sure that the mounting screws are installed and flush with the side trim (see Section 9).
- Check that the bottom trim is installed properly (see Bottom Trim Installation).
- Ensure that air duct opening at bottom of unit is free of obstructions.
- Check that oven rack guides (if applicable) are installed correctly and oven racks function smoothly.

### **OPERATION CHECKLIST**

- Turn on the power to the oven (refer to your Owner's Manual). Verify that the bake and broil units and all cooking functions operate properly.
- See your Owner's Manual for the troubleshooting list.
- Be sure all of the oven controls are OFF before leaving the oven.
- Open the door completely and ensure that there is sufficient clearance to surrounding cabinets and counter tops.