

# Café™ 30" Built-In Single Convection Wall Oven

CTS90DP4MW2 / CTS90DP3MD1

# CAFÉ

DISTINCT BY DESIGN™



ALSO AVAILABLE IN



CTS90DP3MD1  
Matte Black with  
Brushed Stainless  
handle



## FEATURES & BENEFITS

Make crispy flat breads, golden cookies, and tender turkey dinners with **True European Convection with Direct Air** that uses a variable speed fan to circulate heat from the top down.

Control your oven with your Smart phone using **WiFi Connect**.

Check your oven status with just a glance and keep mingling thanks to **notification lighting**.

When you're updating your kitchen, attention to detail is a priority. That's why Café wall ovens are guaranteed for an exact fit for an easy and seamless replacement.

Achieve an even bake, every time, no matter the size with a **ten-pass bake element**.

Achieve an even brown, every time, no matter the size with a **ten-pass dual broil element**.

Easily remove everything from heavy roasts to delicate desserts with **self-clean roller racks** that stay in both ovens during the self-clean cycle.

See your soufflé's rise without opening the door with slowly illuminating **halogen oven lighting**.

Keep your oven looking like new at all times with a **steam clean option** for small spills and a **self clean cycle** for larger messes.

Create a sleek look that's easy to clean with a **glass touch display**.

Cook appetizers, entrees and desserts all at once in **5.0 cu. ft. capacity** ovens.

## APPEARANCE

Oven Door Features	Big View Oven Window; Drop-Down
Handle	Designer Style; Café
Installation	Undercounter; Under Cooktop; Above; Warming Drawer; Side-by-Side; With Built-In Advantium; With Built-in Microwave

## FEATURES

Configuration	Single Oven
Cooking System	True European Convection with Direct Air
Oven Cleaning Type	Self-Clean with Steam Clean Option
Cleaning Time	Variable with Delay Clean Option
Oven Cooking Modes	Convection Bake; Convection Bake Multi-Rack; Convection Roast; Convection Broil; Crisp Broil; Thermal Bake; Thermal Broil
Self-Clean Oven Door Lock	Automatic
Control Type	Glass Touch; LED; Notification Lighting
Oven Features	10-Pass Bake Element; 10-Pass Dual Broil Element; Closed Door Broiling
Oven Rack Features	2 Self-Clean Heavy-Duty Oven Racks; 1 Self-Clean Roller Rack; 6 Ladder-Rack Positions"
Oven Control Features	Audible Preheat Signal; Auto Recipe Conversion; C° or F° Programmable; Certified Sabbath Mode; Control Lock Capability; Cook Time; Delay Time; Digipad Numeric Entry; Electronic Clock & Kitchen Timer; Hi / Low / Crisp Broil; Mis-Wire Detection; Optional Clock Display; Temperature Probe; Proof Mode; Warm Mode
WiFi Connect	Built-In
Connected Capabilities	Amazon Alexa; The Google Assistant; IFTTT; Nest; Drop; Innit; DiGiorno
Cooking Technology	Convection
Oven Interior	3 Halogen Interior Oven Lights; Black Gloss Finish; Hidden Bake

## CAPACITY

Total Capacity (cubic feet)	5.0 cu ft
-----------------------------	-----------

## POWER / RATINGS

Amp Rating at 208V	20
Amp Rating at 240V	20
Bake Wattage	2850W
Broiler Wattage	4300W; Dual Element
Convection Wattage	2400W
KW Rating at 208V	3.4
KW Rating at 240V	4.5

## WEIGHTS & DIMENSIONS

Approximate Shipping Weight	177 lb
Net Weight	161 lb
Overall Height	28-5/8 in
Overall Width	29-3/4 in
Overall Depth	27-1/8 in
Cabinet Width	30 in
Cutout Dimensions (w x h x d) (in.)	28-5/8 x 27-5/16 x 23-1/2
Oven Interior Dimensions (W x H x D) (in.)	25 x 17-3/8 x 20-1/4

# Café™ 30" Built-In Single Convection Wall Oven

CTS90DP4MW2 / CTS90DP3MD1

# CAFÉ

DISTINCT BY DESIGN™

## WARRANTY

Parts warranty	Limited 1-year entire appliance
Labor warranty	Limited 1-year entire appliance
Warranty notes	See written warranty for full details

## DIMENSIONS AND INSTALLATION INFORMATION

Most 30" Wall Cabinets can be used with this unit.

**Note:** These ovens are not approved for stackable installations. Cabinets installed adjacent to wall ovens must have an adhesion spec of at least a 194°F temperature rating.

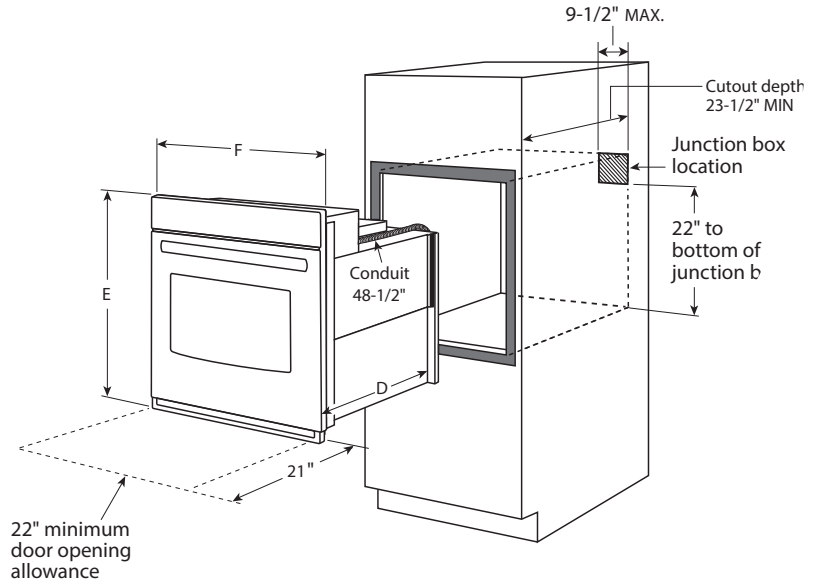
Door handle protrudes 2-1/2" from door face. Cabinets and drawers on adjacent 45° and 90° walls should be placed to avoid interference with the handle.

**Electric wall ovens are not approved for installation with a plug and receptacle. They must be hard wired in accordance with installation instructions.**

**Installation Information:** Before installing, consult installation instructions packed with product for current dimensional data. Side-by-side installations require at least 2" between cutouts.

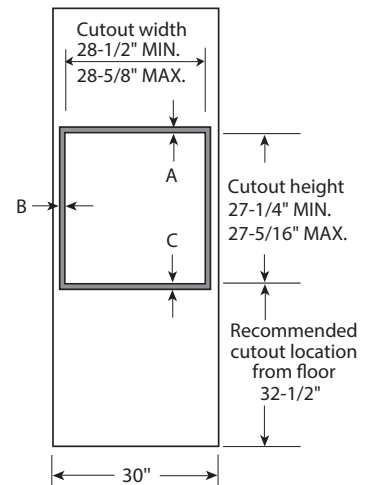
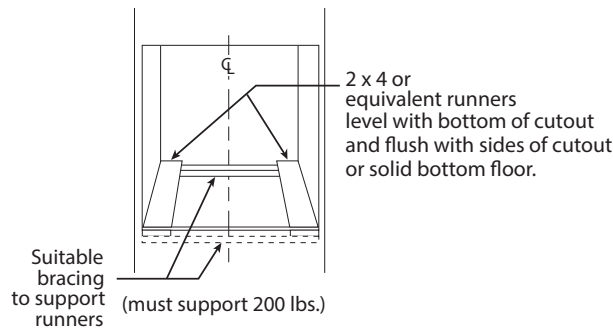
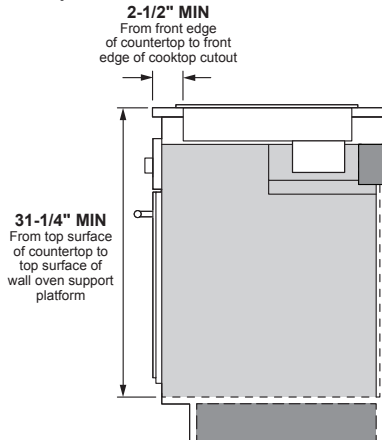
**Note:** 36" ribbon cooktop are approved for use over Café 30" single wall ovens and warming drawers. 30" ribbon cooktops are approved for use over 30" and Café 27" single wall ovens and warming drawers. Refer to cooktop and wall oven installation information packed with products for current dimensional data.

**Installation information:** Before installing, consult installation instructions packed with products for current dimensional data and for alternate installation options.



**Electric wall ovens are not approved for installation with a plug and receptacle. They must be hard wired in accordance with installation instructions.**

### Installation below a cooktop



CT9050	
Cabinet	30"
A - Overlap of oven at top of cutout	1-1/4"
B - Overlap of oven over side of edges of cutout	3/4"
C - Overlap of oven at bottom of cutout	1-1/4"
Oven	
D - Install depth	23-1/2"
E - Overall height with trim	28-5/8"
F - Overall width	29-3/4"

# Café™ 30" Built-In Single Convection Wall Oven

CTS90DP4MW2 / CTS90DP3MD1

# CAFÉ

DISTINCT BY DESIGN™

## DIMENSIONS AND INSTALLATION INFORMATION

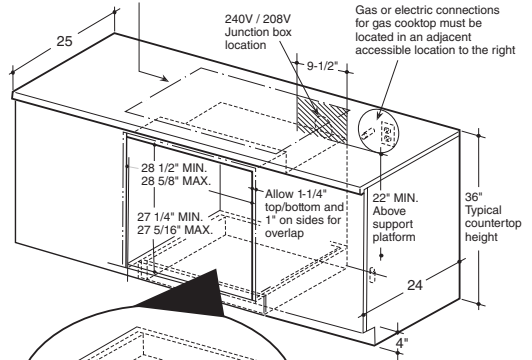
### Optional Undercounter Dimensions and Installation Information

**Note:** 36" ribbon cooktop are approved for use over Café 30" single wall ovens and warming drawers. 30" ribbon cooktops are approved for use over 30" and Café 27" single wall ovens and warming drawers. Refer to cooktop and wall oven installation information packed with products for current dimensional data.

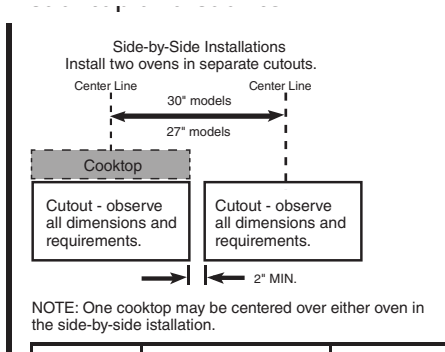
**Installation information:** Before installing, consult installation instructions packed with products for current dimensional data and for alternate installation options.

**ELECTRIC WALL OVENS ARE NOT APPROVED FOR INSTALLATION WITH A PLUG AND RECEPTACLE. THEY MUST BE HARD WIRED IN ACCORDANCE WITH INSTALLATION INSTRUCTIONS.**

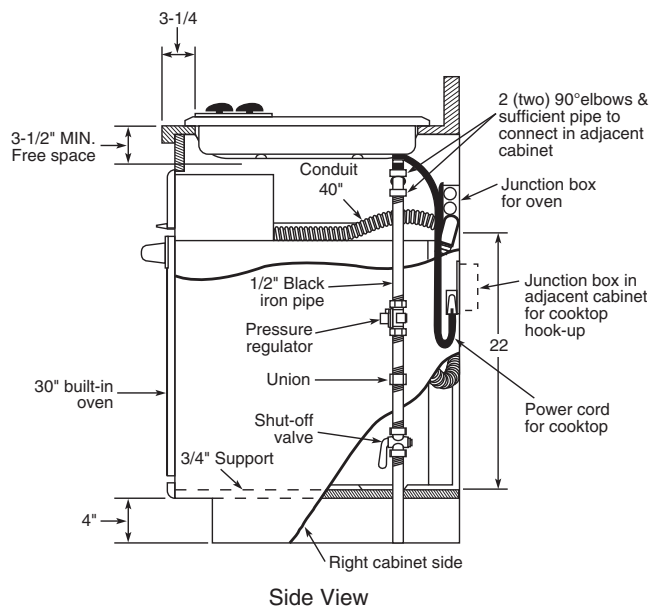
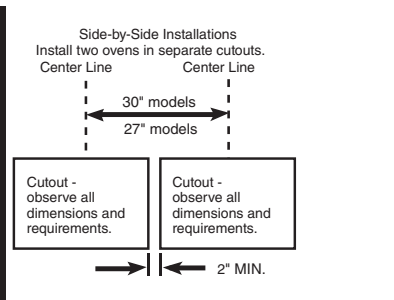
Gas or electric cooktops may be installed over this oven. See cooktop installation instructions for cutout size. See label on top of oven for approved cooktop models.



### Side by Side single ovens under cooktop and counter



### Side by Side single ovens



Dimension and installation information are shown in inches.

## ADDITIONAL ACCESSORIES



CXWS0H0PMBZ  
Brushed Bronze  
1 handle  
(standard on Matte White)



CXWS0H0PMSS  
Brushed Stainless  
1 handle  
(standard on Matte Black)



CXWS0H0PMBT  
Brushed Black  
1 handle



CXWS0H0PMCUC  
Brushed Copper  
1 handle