

Café™ 30" Built-In French-Door Single Convection Wall Oven

CTS90FP4MW2 / CTS90FP3MD1

CAFÉ

DISTINCT BY DESIGN™



ALSO AVAILABLE IN



CTS90FP3MD1
Matte Black with
Brushed Stainless
handle and knobs



ADA
COMPLIANT



FEATURES & BENEFITS

Easily open both doors using a single hand with **French door design**.

Make crispy flat breads, golden cookies, and tender turkey dinners with **True European Convection with Direct Air** that uses a variable speed fan to circulate heat from the top down.

Control your oven with your Smart phone using **WiFi Connect**.

When you're updating your kitchen, attention to detail is a priority. That's why Café wall ovens are guaranteed for an exact fit for an easy and seamless replacement.

See your soufflé's rise without opening the door with slowly illuminating **halogen oven lighting**.

Keep your oven looking like new at all times with a **steam clean option** for small spills and a **self clean cycle** for larger messes.

Easily remove everything from heavy roasts to delicate desserts with **self-clean roller racks** that stay in both ovens during the self-clean cycle.

Achieve an even brown, every time, no matter the size with a **ten-pass dual broil element**.

Achieve an even bake, every time, no matter the size with a **ten-pass bake element**.

Cook appetizers, entrees and desserts all at once in **5.0 cu. ft. capacity** ovens.

Precisely control heat and easily wipe away messes with **electronic dial controls**.

APPEARANCE

Oven Door Features	Dual Window; French-Door
Handle	Designer Style; Cafe
Installation	Above Warming Drawer; Side-by-Side; With Built-In Advantium; With Built-in Microwave

FEATURES

Configuration	Single Oven
Cooking System	True European Convection with Direct Air
Oven Cleaning Type	Self-Clean with Steam Clean Option
Cleaning Time	Variable with Delay Clean Option
Oven Cooking Modes	Convection Bake; Convection Bake Multi-Rack; Convection Roast; Convection Broil; Crisp Broil Thermal Bake; Thermal Broil
Self-Clean Oven Door Lock	Automatic
Control Type	Dial; Glass Touch; LED
Oven Features	10-Pass Bake Element; 10-Pass Dual Broil Element; Closed Door Broiling
Oven Rack Features	2 Self-Clean Roller Racks; 1 Self-Clean Heavy-Duty Rack; 6 Ladder-Rack Positions
Oven Control Features	Audible Preheat Signal; Auto Recipe Conversion; C° or F° Programmable; Certified Sabbath Mode Control Lock Capability; Cook Time; Delay Time; Electronic Clock & Kitchen Timer; Hi / Low / Crisp Broil; Mis-Wire Detection; Optional Clock Display; Temperature Probe; Proof Mode
WiFi Connect	Built-In
Connected Capabilities	Amazon Alexa; The Google Assistant; IFTTT; Nest; Drop; Innit; DiGiorno
Cooking Technology	Convection
Oven Interior	3 Halogen Interior Oven Lights; Black Gloss Finish; Hidden Bake

CAPACITY

Total Capacity (cubic feet)	5.0 cu ft
-----------------------------	-----------

POWER / RATINGS

Amp Rating at 208V	20
Amp Rating at 240V	20
Bake Wattage	2850W
Broiler Wattage	4300W; Dual Element
Convection Wattage	2400W
KW Rating at 208V	3.4
KW Rating at 240V	4.5

WEIGHTS & DIMENSIONS

Approximate Shipping Weight	208 lb
Net Weight	190 lb
Overall Height	28-5/8 in
Overall Width	29-3/4 in
Overall Depth	27-3/4 in
Cabinet Width	30 in
Cutout Dimensions (w x h x d) (in.)	28-5/8 x 27-5/16 x 23-1/2
Oven Interior Dimensions (W x H x D) (in.)	25 x 17-3/8 x 20-1/4

Café™ 30" Built-In French-Door Single Convection Wall Oven

CTS90FP4MW2 / CTS90FP3MD1

CAFÉ

DISTINCT BY DESIGN™

WARRANTY

Parts warranty	Limited 1-year entire appliance
Labor warranty	Limited 1-year entire appliance
Warranty notes	See written warranty for full details

DIMENSIONS AND INSTALLATION

Most 30" Wall Cabinets can be used with this unit.

Note: These ovens are not approved for stackable installations. Cabinets installed adjacent to wall ovens must have an adhesion spec of at least a 194°F temperature rating.

Door handle protrudes 2-1/2" from door face. Cabinets and drawers on adjacent 45° and 90° walls should be placed to avoid interference with the handle.

Electric wall ovens are not approved for installation with a plug and receptacle. They must be hard wired in accordance with installation instructions.

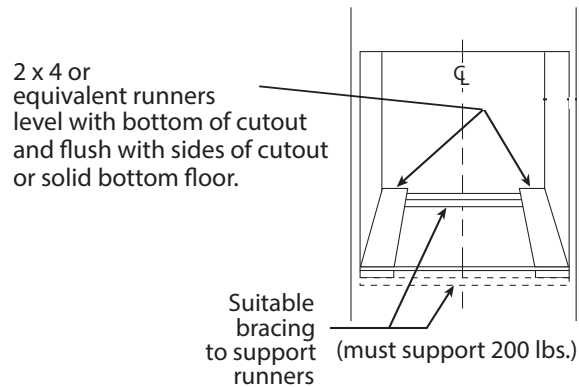
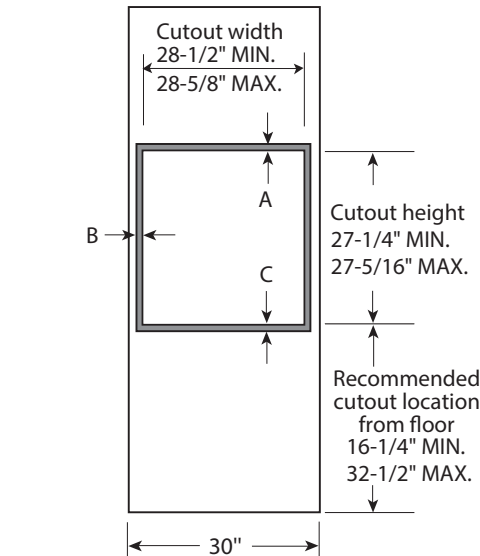
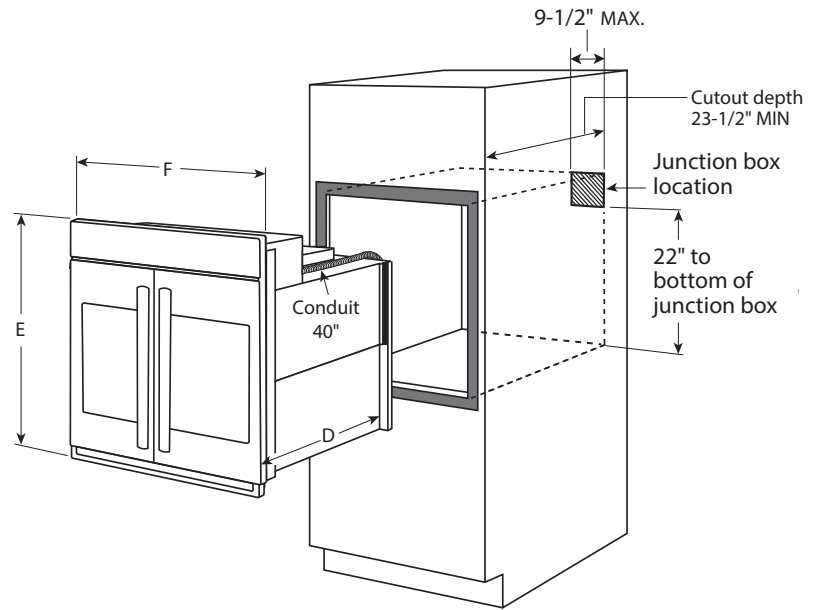
Installation Information: Before installing, consult installation instructions packed with product for current dimensional data and for alternate installation options.

Note: This model is not approved for installation below a countertop or in combination with a separate cooktop. The minimum installation height from the floor is 16-1/4".

A minimum gap of 14" from either side of the wall oven to an adjacent 45 or 90 cabinet, drawer or was is required to avoid interference with the opening of the doors. The handles protrude 2-1/2" from the door face.

Countertops may need to be notched on either side of the wall oven to avoid interference with the opening of the doors.

THIS MODEL IS NOT APPROVED FOR FLUSH-MOUNT INSTALLATION



Cabinet	30"
A – Overlap of oven at top of cutout	1-1/4"
B – Overlap of oven over side of edges of cutout	3/4"
C – Overlap of oven at bottom of cutout	1-1/4"
Oven	
D – Install depth	23-1/2"
E – Overall height with trim	28-5/8"
F – Overall width	29-3/4"

Café™ 30" Built-In French-Door Single Convection Wall Oven

CTS90FP4MW2 / CTS90FP3MD1

CAFÉ

DISTINCT BY DESIGN™

DIMENSIONS AND INSTALLATION

Note: This model is not approved for installation below a countertop or in combination with a separate cooktop. The minimum installation height from the floor is 16-1/4".

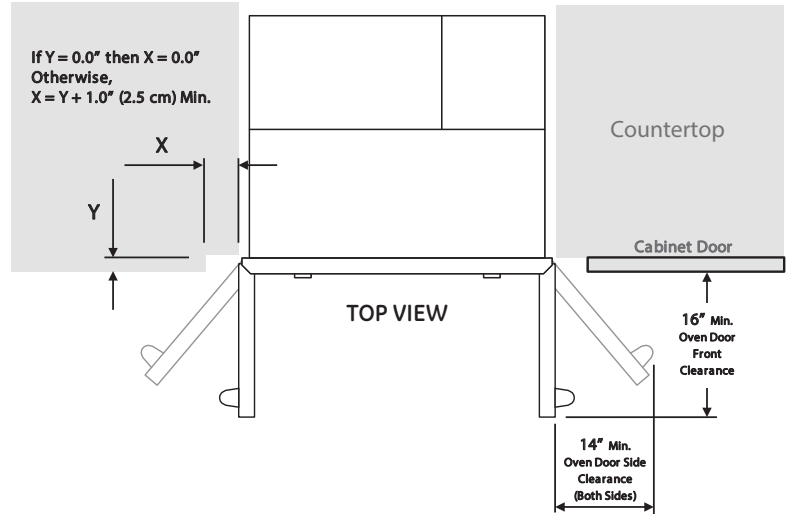
Note: A minimum gap of 14" from either side of the wall oven to an adjacent 45 or 90 cabinet, drawer or was is required to avoid interference with the opening of the doors. The handles protrude 2-1/2" from the door face.

Note: Countertops may need to be notched on either side of the wall oven to avoid interference with the opening of the doors.

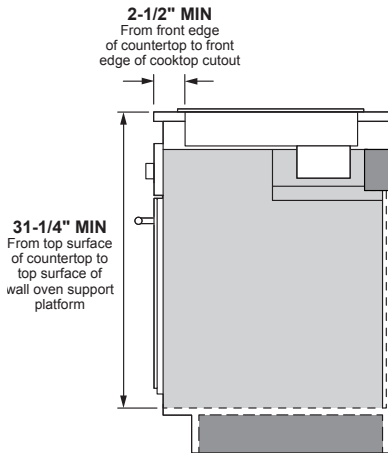
Installation information: Before installing, consult installation instructions packed with products for current dimensional data and for alternate installation options.

THIS MODEL IS NOT APPROVED FOR FLUSH-MOUNT INSTALLATION

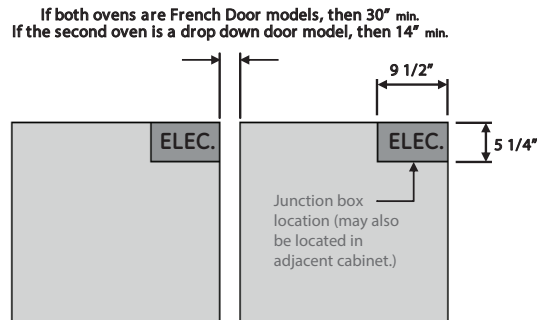
INSTALLATION TO ADJACENT COUNTERTOP AND CABINET DOORS



INSTALLATION ABOVE A COOKTOP



SIDE BY SIDE INSTALLATION FRONT VIEW OF CUTOUTS



ADDITIONAL ACCESSORIES



CXWSFHKPMBZ
 Brushed Bronze
 2 handles, 2 knobs
 (standard on Matte White)



CXWSFHKPMSS
 Brushed Stainless
 2 handles, 2 knobs
 (standard on Matte Black)



CXWSFHKPMBT
 Brushed Black
 2 handles, 2 knobs



CXWSFHKPMCU
 Brushed Copper
 2 handles, 2 knobs