



Vented Range Hoods

Safety Instructions 2, 3

Operating Instructions

Light Controls 4

Vent Controls 4

Care and Cleaning

Grease Filters 5

Hood Lights 6

Hood Surfaces 5

Stainless Steel Surfaces 5

Installation Instructions . . . 7-18

Troubleshooting Tips 20

Consumer Support

Consumer Support . . . Back Cover

Product Registration 21, 22

Warranty 23

**Owner's Manual and
Installation Instructions**

JV936
CV936

Write the model and serial numbers here:

Model # _____

Serial # _____

You can find them on a label on the inside of the hood.



IMPORTANT SAFETY INFORMATION. READ ALL INSTRUCTIONS BEFORE USING.



SAFETY PRECAUTIONS

WARNING — TO REDUCE THE RISK OF FIRE, ELECTRIC SHOCK OR INJURY TO PERSONS, OBSERVE THE FOLLOWING:

- A. Use this unit only in the manner intended by the manufacturer. If you have questions, contact the manufacturer.
- B. Before servicing or cleaning unit, switch power off at service panel and lock the service disconnecting means to prevent power from being switched on accidentally. When the service disconnecting means cannot be locked, securely fasten a prominent warning device, such as a tag, to the service panel.
- C. Do not use this unit with any solid-state speed control device.
- D. This unit must be grounded.

CAUTION — *For general ventilating use only. Do not use to exhaust hazardous or explosive materials and vapors.*

CAUTION — *To reduce risk of fire and to properly exhaust air, be sure to duct air outside. Do not vent exhaust air into spaces within walls or ceilings or into attics, crawl spaces, or garages.*

WARNING — TO REDUCE THE RISK OF INJURY TO PERSONS IN THE EVENT OF A RANGE TOP GREASE FIRE, OBSERVE THE FOLLOWING*:

- A. SMOTHER FLAMES with a close-fitting lid, cookie sheet, or metal tray, then turn off the burner. BE CAREFUL TO PREVENT BURNS. If the flames do not go out immediately, EVACUATE AND CALL THE FIRE DEPARTMENT.
- B. NEVER PICK UP A FLAMING PAN— You may be burned.
- C. DO NOT USE WATER, including wet dishcloths or towels—a violent steam explosion will result.
- D. Use an extinguisher ONLY if:
 1. You know you have a Class ABC extinguisher, and you already know how to operate it.
 2. The fire is small and contained in the area where it started.
 3. The fire department is being called.
 4. You can fight the fire with your back to an exit.

* Based on “[Kitchen Fire Safety Tips](#)” published by NFPA.



SAFETY PRECAUTIONS

WARNING — TO REDUCE THE RISK OF A RANGE TOP GREASE FIRE:

- A. Never leave surface units unattended at high settings. Boilovers cause smoking and greasy spillovers that may ignite. Heat oils slowly on low or medium settings.
- B. Always turn hood **ON** when cooking at high heat or when cooking flaming foods.
- C. Clean ventilating fans frequently. Grease should not be allowed to accumulate on fan or filter.
- D. Use proper pan size. Always use cookware appropriate for the size of the surface element.

WARNING — TO REDUCE THE RISK OF FIRE, ELECTRIC SHOCK OR INJURY TO PERSONS, OBSERVE THE FOLLOWING:

- A. Installation work and electrical wiring must be done by qualified person(s) in accordance with all applicable codes and standards, including fire-rated construction.
- B. Sufficient air is needed for proper combustion and exhausting of gases through the flue (chimney) of fuel burning equipment to prevent back drafting. Follow the heating equipment manufacturer's guideline and safety standards such as those published by the National Fire Protection Association (NFPA), and the American Society for Heating, Refrigeration and Air Conditioning Engineers (ASHRAE), and the local code authorities.
- C. When cutting or drilling into wall or ceiling, do not damage electrical wiring and other hidden utilities.
- D. Ducted fans must always be vented to the outdoors.

WARNING — TO REDUCE THE RISK OF FIRE, USE ONLY METAL DUCTWORK.

- Do not attempt to repair or replace any part of your hood unless it is specifically recommended in this guide. All other servicing should be referred to a qualified technician.

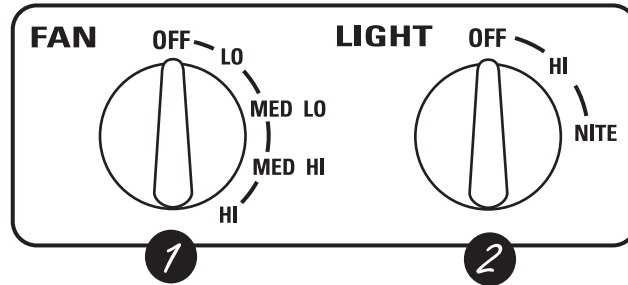


READ AND FOLLOW THIS SAFETY INFORMATION CAREFULLY.

READ AND SAVE THESE INSTRUCTIONS

Using the hood controls.

Throughout this manual, features and appearance may vary from your model.



1 FAN Control

Turn the **FAN** speed control to **LO**, **MED LO**, **MED HI** or **HI**, as needed.

Continuous use of the fan system while cooking helps keep the kitchen comfortable and less humid. It also reduces cooking odors and soiling moisture that create a frequent need for cleaning.

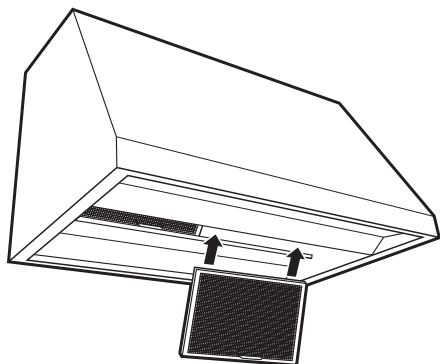
NOTE: When the fan is operating on the **LO** setting, it will be very quiet. Always make sure that the fan is turned **OFF** when you are finished in the kitchen.

2 LIGHT Control

Turn the **LIGHT** control to **HI** for bright light while cooking. Turn to **NITE** for use as a night light.

Care and cleaning of the vent hood.

Be sure electrical power is off and all surfaces are cool before cleaning or servicing any part of the vent hood.



If it ever becomes necessary to replace the metal grease filters, they may be ordered from your GE supplier.

Heavy-duty commercial filters may also be used in place of the filters.

For 30" (76.2 cm) hoods, order Kit no. **JXBF30SS**.

For 36" (91.4 cm) hoods, order Kit no. **JXBF36SS**.

To order, call **1.800.661.1616**

Reusable Metal Grease Filters

The hood has 2 metal reusable grease filters.

The metal filters trap grease released by foods on the cooktop. They also help prevent flaming foods on the cooktop from damaging the inside of the hood.

For this reason, the filters must **ALWAYS** be in place when the hood is used. The grease filters should be cleaned once a month, or as needed.

To clean the grease filters, soak them and then swish them around in hot water and detergent. Don't use ammonia or ammonia products because they will darken the metal. Do not use abrasives or oven cleaners. Light brushing can be used to remove embedded dirt. Rinse, shake and let them dry before replacing. **They may also be cleaned in an automatic dishwasher.**

To remove:

Grasp the filter handle and pull it up, forward and out.

To replace:

- 1 Hold the filter at the bottom with the handle.
- 2 Place the top end of the filter against the inside front of the hood.
- 3 Slide it up until it stops and push the bottom end back until it snaps into place.

Painted Surfaces (on some models)

To clean the hood surface, use a hot, damp cloth with a mild detergent suitable for painted surfaces. Use a clean, hot, damp cloth to remove soap. Dry with a dry, clean cloth.

Do not use steel-wool pads or other abrasive cleaners. They will scratch the surface.

Stainless Steel Surfaces (on some models)

Do not use a steel-wool pad; it will scratch the surface.

- 1 Shake bottle well.
- 2 Place a small amount of CERAMA BRYTE® Stainless Steel Cleaning Polish and Conditioner on a **dry** cloth or **dry** paper towel.
- 3 Clean a small area (approximately 8" x 8" or 20.3 x 20.3 cm), rubbing with the grain of the stainless steel if applicable.
- 4 Dry and buff with a clean, dry paper towel or soft cloth.
- 5 Repeat as necessary.

To order:

To order CERAMA BRYTE® Stainless Steel Cleaning Polish and Conditioner, please call our toll-free number:

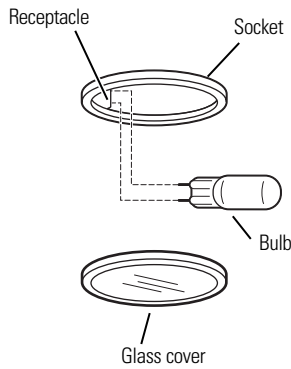
National Parts Center 1.800.661.1616

www.GEAppliances.ca

**CERAMA BRYTE®
Stainless Steel Cleaning
Polish and Conditioner . . . # PM10X313**

Care and cleaning of the vent hood.

Be sure electrical power is off and all surfaces are cool before cleaning or servicing any part of the vent hood.



Hood Lights

NOTE: The glass cover should be removed only when cold. Wearing latex gloves may offer a better grip.

CAUTION: Before replacing your light bulb, disconnect the electrical power to the hood at the main fuse or circuit breaker panel.

Be sure to let the light cover and bulb cool completely.

For your safety, do not touch a hot bulb with bare hands or a damp cloth.

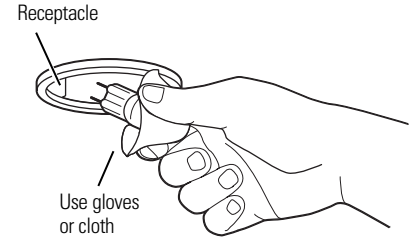
To remove:

- 1 Turn the glass cover counterclockwise until the glass cover clears the socket.
- 2 Using gloves or a dry cloth, remove the bulb by pulling it straight out.

To replace:

- 1 Use a new 12-volt, 20-watt (maximum) Halogen bulb for a G-4 base.
- 2 Using gloves or a dry cloth, remove the new bulb from its packaging.

NOTE: Do not touch the new halogen bulb with bare fingers. Touching the bulb with bare fingers will significantly reduce the life of the bulb.



- 3 Push the bulb straight into the receptacle all the way.
- 4 Place the glass cover onto the socket and turn clockwise until secure.

For improved lighting, clean the glass cover frequently using a damp cloth. This should be done when the hood is completely cool.

- 5 Reconnect electrical power to the hood.

Installation Instructions

Range Hood

Questions? Call 1-800-561-3344 or Visit our Website at: www.GEAppliances.ca

BEFORE YOU BEGIN

Read these instructions completely and carefully.

- **IMPORTANT** — Save these instructions for local inspector's use.
- **IMPORTANT** — Observe all governing codes and ordinances.
- **Note to Installer** — Be sure to leave these instructions with the Consumer.
- **Note to Consumer** — Keep these instructions for future reference.
- **Skill level** — Installation of this vent hood requires basic mechanical and electrical skills.
- **Completion time** — 1 to 3 hours
- Proper installation is the responsibility of the installer.
- Product failure due to improper installation is not covered under the Warranty.

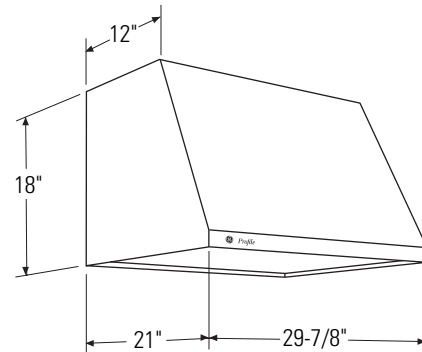
CAUTION:

Due to the weight and size of these vent hoods and to reduce the risk of personal injury or damage to the product, **TWO PEOPLE ARE REQUIRED FOR PROPER INSTALLATION.**

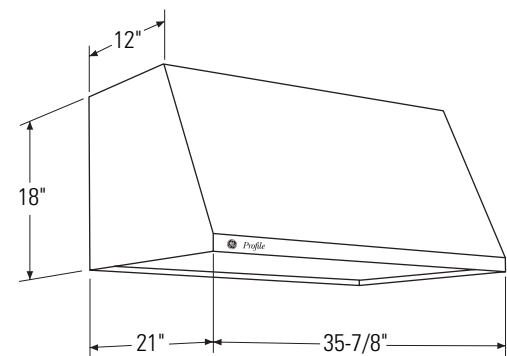
FOR YOUR SAFETY:

WARNING — Before beginning the installation, switch power off at service panel and lock the service disconnecting means to prevent power from being switched on accidentally. When the service disconnecting means cannot be locked, securely fasten a prominent warning device, such as a tag, to the service panel.

PRODUCT DIMENSIONS



30" Models
Requires a 30" Wide Opening



36" Models
Requires a 36" Wide Opening

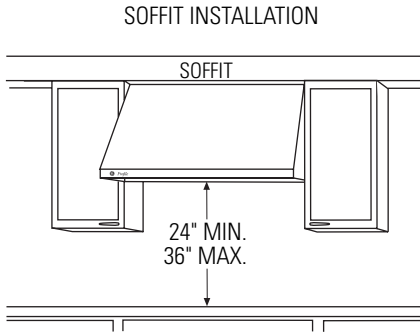
1 Ft = 0.3 m
1" = 2.5 cm

Installation Instructions

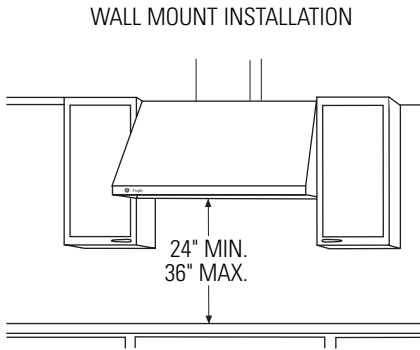
INSTALLATION CLEARANCES

These vent hoods are designed to be installed onto a wall. They may be installed beneath a soffit or cabinet.

- Install these hoods 24" Min. to 36" Max above the cooking surface.



In this installation the ductwork running from the top of the hood will be concealed in the soffit or upper cabinetry.



For this installation, a decorative duct cover is available to conceal the ductwork running from the top of the hood. Use of the duct cover requires special consideration to the installation height above the countertop. See page 12 for details.

1 Ft = 0.3 m
1" = 2.5 cm

OPTIONAL ACCESSORIES

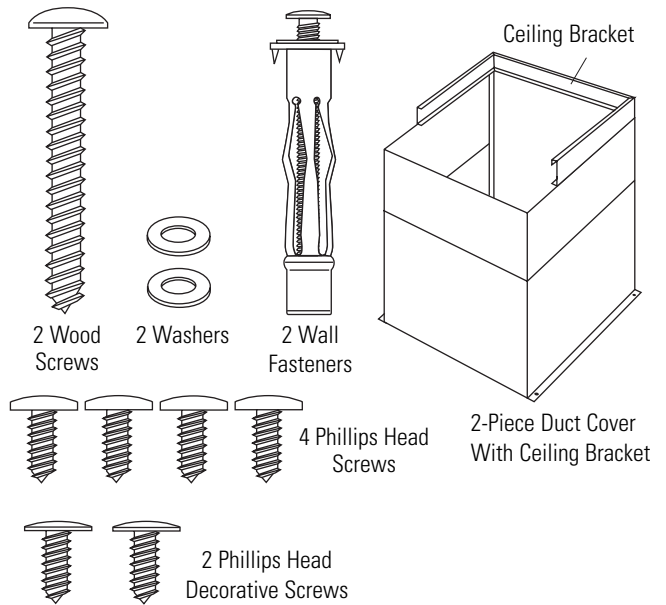
Duct Cover

A Decorative duct cover is available to accommodate 8 to 10 ft. ceiling heights. The duct cover will expand from 12" Min. or 24" to 34" Max. height.

- The duct cover conceals the ductwork running from the top of the hood to the ceiling.
- The duct cover accessory fits both 30" and 36" wide models. Order the duct cover accessory at the same time as the vent hood. All accessories should be on site at the time of hood installation.

Order the correct color to match your model:

JXCHBB - Black, **JXCHWW** - White,
JXCHCC - Bisque, **JXCHSS** - Stainless Steel.

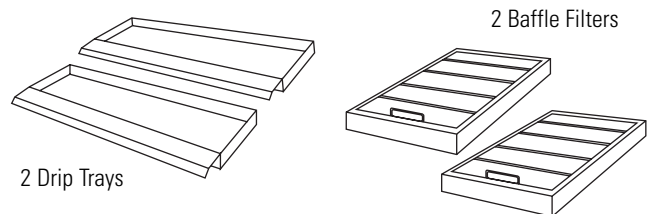


Commercial Filter Kit

Use this kit to replace supplied filters.

JXBF30SS, Commercial Filter Kit for 30" wide models.
JXBF36SS, Commercial Filter Kit for 36" wide models.

Includes 2 commercial filters and 2 drip trays.



Installation Instructions

ADVANCE PLANNING

Ductwork Planning

- This hood may be vented vertically through upper cabinets, soffit or ceiling. A duct transition piece is supplied for vertical exhaust. Use locally supplied elbows to vent horizontally through the rear wall. See page 13.
- Determine the exact location of the vent hood.
- Use the shortest and straightest duct route possible. For satisfactory performance, duct run should not exceed 100 equivalent length for any duct configurations.
- Refer to “Duct Fittings” chart to compute the maximum permissible length for duct runs to the outdoors.
- Use metal ductwork only.
- A transition piece for 7” round duct is supplied. Use 7” round duct or you may use 3¼” x 12” rectangular.
- Install a wall cap or roof cap with damper at the exterior opening. Order the wall or roof cap and any transition needed in advance.

Kit - JXDW1

Order kit JXDW1 if your installation requires horizontal ducting from the top of the hood through the back wall and:

- You have an 8 ft. ceiling and need to use a JXCH Series Chimney Cover, or
- You have a 12” cabinet or 12” soffit that the hood is to be mounted beneath.

This kit provides a duct transition from 7” round to 3¼” x 10” rectangular for through-the-wall venting.

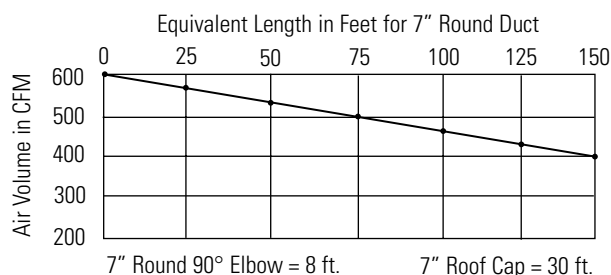
Wall Framing for Adequate Support

- This vent hood is heavy. Adequate structural support must be provided. The hood must be secured to vertical studs in the wall. See page 14.
- We strongly recommend that the vent hood with duct cover be on site before final framing and wall finishing. This will also help to accurately locate the ductwork and electrical service.

DUCT FITTINGS

Follow these guidelines for proper duct sizing in the ducting charts.

DUCTING CHART - 30” and 36” Models



MAXIMUM DUCT LENGTH: 7” dia. duct, should not exceed 100 equivalent feet.

DECORATIVE DUCT COVERS

A decorative duct cover is available to fit both model widths. The duct cover conceals the ductwork running from the top of the hood to the ceiling or soffit. The duct cover will fit 8 ft. to 10 ft. ceiling heights. See page 12 for details.

POWER SUPPLY

IMPORTANT - (Please read carefully)

WARNING:

FOR PERSONAL SAFETY, THIS APPLIANCE MUST BE PROPERLY GROUNDED.

Remove house fuse or open circuit breaker before beginning installation.

Do not use an extension cord or adapter plug with this appliance. Follow National electrical codes or prevailing local codes and ordinances.

Electrical supply

This vent hood must be supplied with 120V, 60Hz, and connected to an individual, properly grounded branch circuit, and protected by a 15 or 20 amp circuit breaker or time delay fuse.

- Wiring must be 2 wire with ground.
- If the electrical supply does not meet the above requirements, call a licensed electrician before proceeding.
- Route house wiring as close to the installation location as possible in the ceiling, soffit or wall. See page 13 for details.
- Connect the wiring to the house wiring in accordance with local codes.

Grounding instructions

The grounding conductor must be connected to a ground metal, permanent wiring system, or an equipment-grounding terminal or lead on the hood.

WARNING:

The improper connection of the equipment-grounding conductor can result in a risk of electric shock. Check with a qualified electrician or service representative if you are in doubt whether the appliance is properly grounded.

1 Ft = 0.3 m

1” = 2.5 cm

Installation Instructions

DUCT FITTINGS

Use this chart to compute maximum permissible lengths for duct runs to outdoors.

Note: Do not exceed maximum permissible equivalent lengths!

**Maximum duct length:
100 foot for vent hoods.**

Flexible ducting:

If flexible metal ducting is used, all the equivalent feet values in the table should be doubled. The flexible metal duct should be straight and smooth and extended as much as possible.

Do NOT use flexible ducting.

Note: Any home ventilation system, such as a ventilation hood, may interrupt the proper flow of combustion air and exhaust required by fireplaces, gas furnaces, gas water heaters and other naturally vented systems. To minimize the chance of interruption of such naturally vented systems, follow the heating equipment manufacturer's guidelines and safety standards such as those published by NFPA and ASHRAE.

This Hood Must Use 7" Round Duct. It Can Transition To 3 1/4" x 12" Duct

Kit - JXDW1





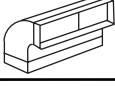
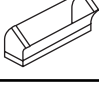
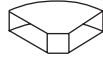





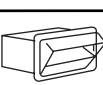
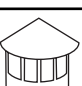

Order kit JXDW1 if your installation requires horizontal ducting from the top of the hood through the backwall and:

- You have an 8 ft. ceiling and need to use a JXCH Series Chimney Cover, or
- You have a 12" cabinet or 12" soffit that the hood is to be mounted beneath.

This kit provides a duct transition from 7" round to 3 1/4" x 10" rectangular for through-the-wall venting.

Using a smaller diameter duct size will reduce performance

1 Ft = 0.3 m
1" = 2.5 cm

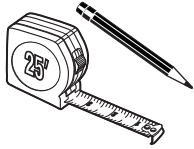
Duct Piece	Dimensions	Equivalent Length*	Quantity Used	Total Equivalent Length
	Round, straight	1 ft. (per foot length)		
	3 1/4" x 12" straight	1 ft. (per foot length)		
	90° elbow	8 ft.		
	45° elbow	6 ft.		
	3 1/4" x 12" or 90° elbow	15 ft.		
	3 1/4" x 12" or 45° elbow	9 ft.		
	3 1/4" x 12" or 90° flat elbow	20 ft.		
	7" round to 3 1/4" x 12" transition	1 ft.		
	3 1/4" x 12" to 7" round transition	5 ft.		
	7" round to 3 1/4" x 12" transition 90° elbow	5 ft.		
	3 1/4" x 12" to 7" round transition 90° elbow	15 ft.		
	Round wall cap with damper	30 ft.		
	3 1/4" x 12" wall cap with damper	30 ft.		
	7" round roof cap	30 ft.		
	Round roof vent	24 ft.		

*Actual length of straight duct plus duct fitting equivalent. Equivalent length of duct pieces are based on actual tests conducted by GE Evaluation Engineering and reflect requirements for good venting performance with any ventilation hood.

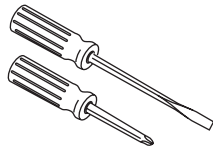
Total Duct Run _____

Installation Instructions

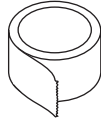
TOOLS AND MATERIALS REQUIRED (NOT SUPPLIED)



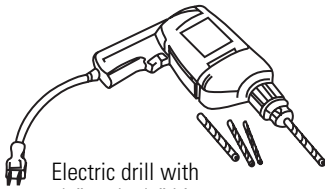
Pencil and
tape measure



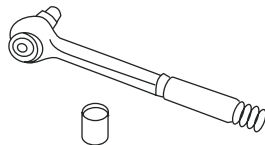
Phillips and
Flat blade screwdrivers



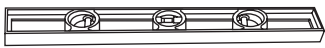
Duct tape



Electric drill with
1/8" and 3/8" bits



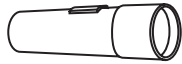
1/4" pivoting hex socket



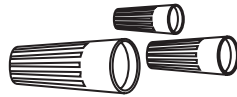
Spirit level



Safety glasses



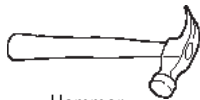
Flashlight



cUL Listed Wire nuts



Pliers



Hammer



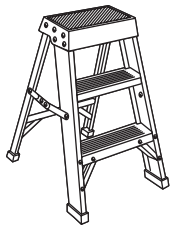
Metal snips



Wire Cutter/Stripper



Saber saw or Key Hole Saw



Ladder



Allen Wrench

Additional Materials:

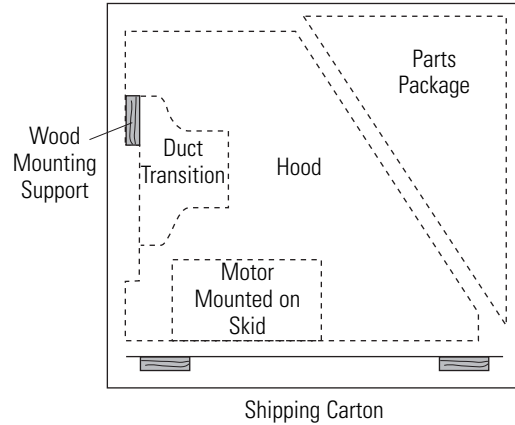
- 120V 60Hz. 15 or 20 Amp, 2 wire with ground. Properly grounded branch circuit.
- Strain relief for junction box.
- 7" round metal duct or 3/4" x 12" rectangular duct, length to suit installation.

REMOVE THE PACKAGING

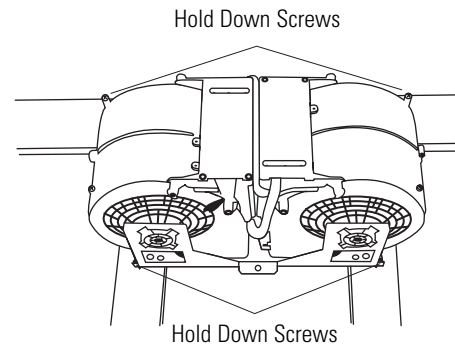
- Remove parts package from the "V" shaped cardboard insert. Remove insert. Remove shipping pads.
- Lift the hood out of the box.

CAUTION:

Lift hood by grasping the outside edges of the exhaust opening on the top. **Do not lift hood by the exhaust opening divider – damage will occur.**



- Remove transition duct piece from the inside of the hood. Discard screws.
- The vent hood motor is shipped secured to the skid with 4 screws. Locate and remove 2 screws on each side of the motor. Discard the shipping skid.



- From the inside of the hood, remove shipping screws holding the wood mounting piece to the back side of the hood. Set aside wood mounting piece and screws for later installation. Do not discard.
- Remove junction box cover and knockout.
- Install strain relief onto back or top of hood.
- Remove all tape and packing material from the hood, duct transition and motor.

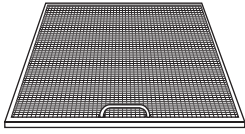
1 Ft = 0.3 m

1" = 2.5 cm

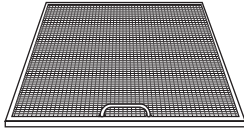
Installation Instructions

PARTS PROVIDED

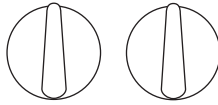
Locate the hardware accessory box packed with the hood and check contents.



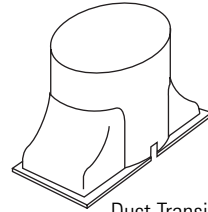
2 Aluminum Grease Filters



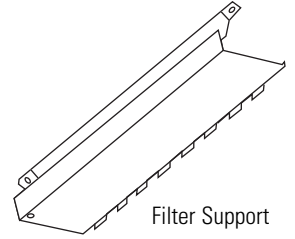
2 Control Knobs



Screws, wall fasteners, washers



Duct Transition with Damper



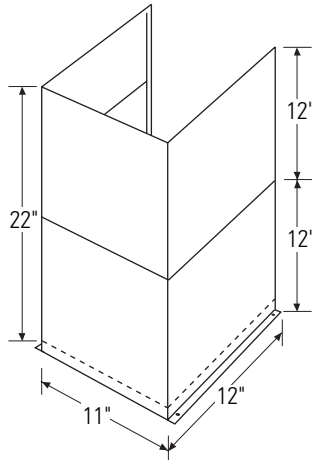
Filter Support

DUCT COVER REQUIREMENTS

We recommend that the vent hood and decorative duct cover (if used) be on site before final framing and wall finishing. This will help to accurately locate studs, ductwork and electrical service. Read these instructions to determine if the duct cover accessory can be used for your installation situation.

Duct Cover Accessory:

- Use the decorative duct cover to conceal duct work running from the top of the hood to the ceiling.
- The duct cover accessory consists of 2 pieces. The outside piece is 12" high, the inside piece is 22". Nested together they are 24" min., expanding to a total maximum height of 34".
- The outside piece can be used alone to fill a 12" height.
- For heights over 12", the ceiling bracket must be installed to secure the cover at the top.



To avoid unsightly gaps, plan the hood installation height for duct cover use.

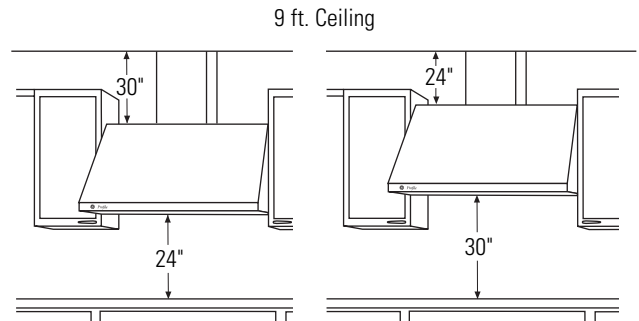
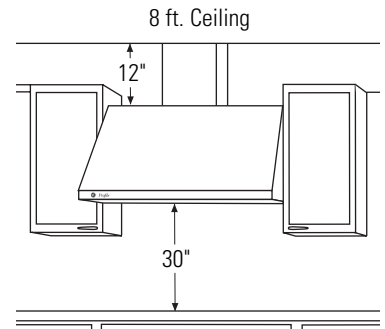
- The cover will fit a 12" min. height from the top of the hood to the ceiling,
– or 24" min. and expanding up to 34" from the top of the hood to the ceiling.

THE DUCT COVER CANNOT BE USED WHEN THE DISTANCE ABOVE THE TOP OF THE HOOD IS BETWEEN 12" AND 24".

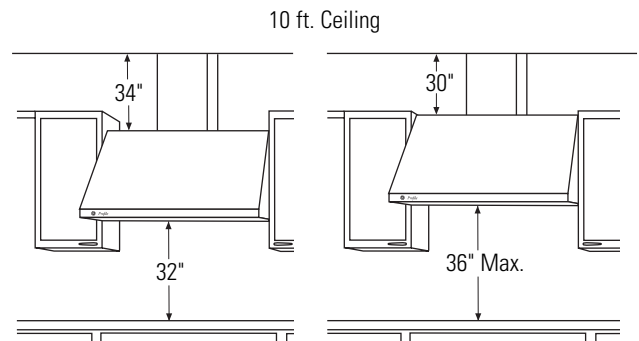
1 Ft = 0.3 m
1" = 2.5 cm

Review the following examples to ensure a trouble free installation using the duct cover accessory.

8 ft. ceilings: The hood must be installed at 30" above the cooking surface (or 66" above the floor). The duct cover will not fit if the hood is installed at a lower or higher height. Use the outside 12" section, discard the inside section.



9 ft. ceilings: Install the hood 24" min. and up to a maximum of 30" above the cooking surface. The duct cover will expand to reach ceiling height.



10 ft. ceilings: Install the hood 32" min. to 36" max. above the cooking surface. The duct cover will expand to a maximum of 34" above the top of the hood to meet the ceiling.

Installation Instructions

DETERMINE HOOD, DUCTWORK AND WIRING LOCATIONS

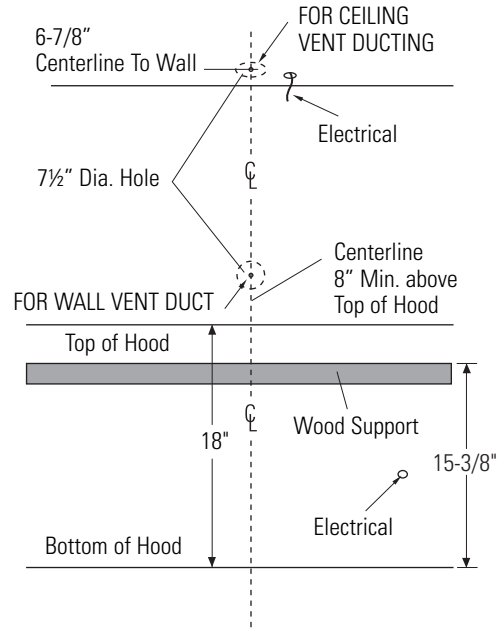
- Measure desired distance from the bottom of the hood to the cooking surface, 24" min. to 36" max. Refer to the previous page if the accessory duct cover will be used.
- Use a level to draw a horizontal line indicating the bottom of the hood.
- Use a level to draw the cooktop centerline location.
- Measure 15-3/8" up from the horizontal line for the bottom of the hood. Draw another horizontal line.
- Measure 18" up from the line for the bottom of the hood, draw another horizontal line to indicate the top of the hood.

FOR VERTICAL (Straight Up) DUCTING:

- If venting out the ceiling, extend the centerline forward on the ceiling.
 - Measure 6-7/8" from drywall to mark centerline for a 7½" dia. duct hole on the ceiling.
 - If drywall is not present, add drywall thickness to the 6-7/8" dimension.

Venting through a soffit or upper cabinet.

- Follow the same procedure for ceiling ducting to cut the 7½" dia. hole through the top of the cabinet or soffit.
- See Step 4, page 5 for details to cut opening for duct transition.



FOR DUCTING THROUGH REAR WALL:

- Measure the supplied duct transition with any straight run length of duct used, plus 90° elbow height. Draw a horizontal line on the wall intersecting the centerline.

House Wiring Location:

- The junction box is fastened to the back of the hood on the right side. See illustrations for hood knockout locations.

Note: The junction box can be relocated to the inside top of the hood.

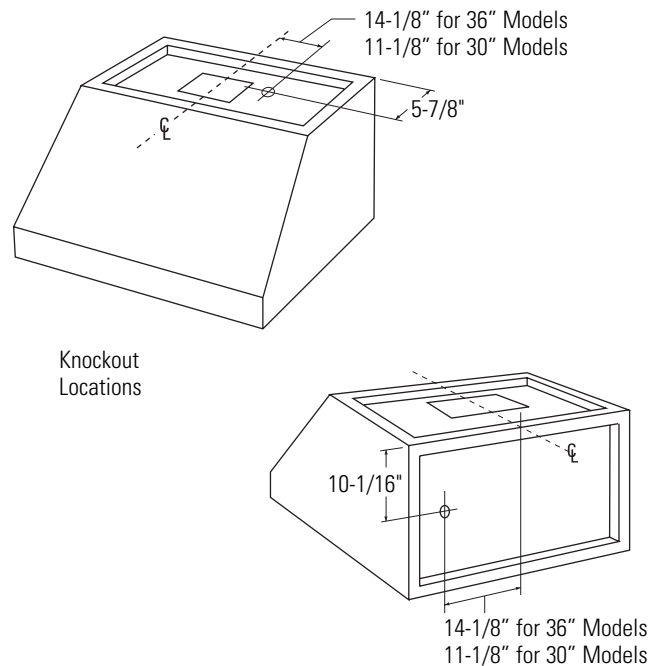
House wiring may enter the junction box from the rear or the top of the hood at the right side.

To route house wiring through the ceiling or soffit;

- Cut a hole approximately 1" dia., 5-7/8" forward on the ceiling, 11-1/8" to the right of the centerline for 30" models or, 14-1/8" to the right of the centerline for 36" models.

To route house wiring through the wall,

- Cut a hole approximately 1" dia., 10-1/16" down from the top of the hood, 11-1/8" to the right of the centerline for 30" models or, 14-1/8" to the right of the centerline for 36" models.
- Remove top or rear knockout depending on your installation.



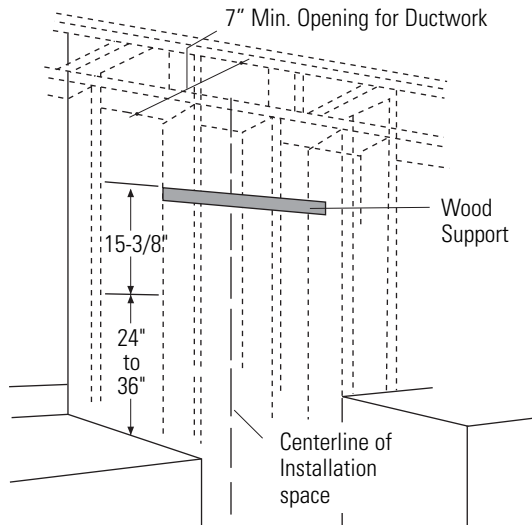
1 Ft = 0.3 m
1" = 2.5 cm

Installation Instructions

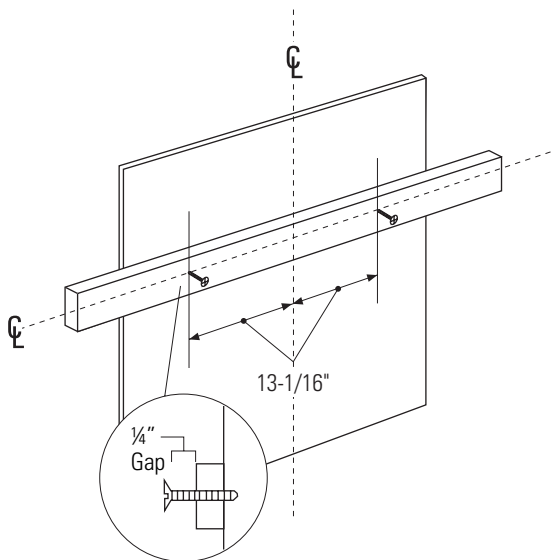
1 INSTALL HOOD SUPPORT

IMPORTANT: Framing must be capable of supporting 100 lbs (45.3 kg)

- Locate at least 2 vertical studs at the wood mounting location by tapping drywall with a hammer or use a stud finder.
- Center the supplied wood horizontal support, left to right and below the marked line.



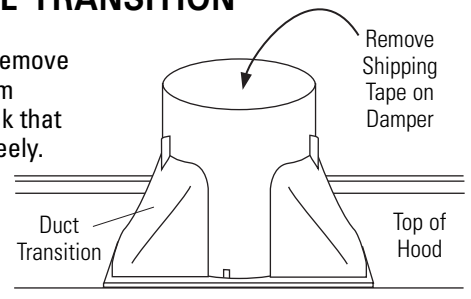
- Drill 1/8" pilot holes through the support, drywall and into the studs. Secure the support to 2 or more vertical studs with supplied wood screws.
- IMPORTANT:** Screws must penetrate at least 1 1/2" into vertical studs. Countersink screws into support.



- Install mounting screws in the center of the wood support, 13-1/16" from the centerline. The screws should protrude forward 1/4". This 1/4" gap will provide clearance to hang the hood.

2 INSTALL TRANSITION

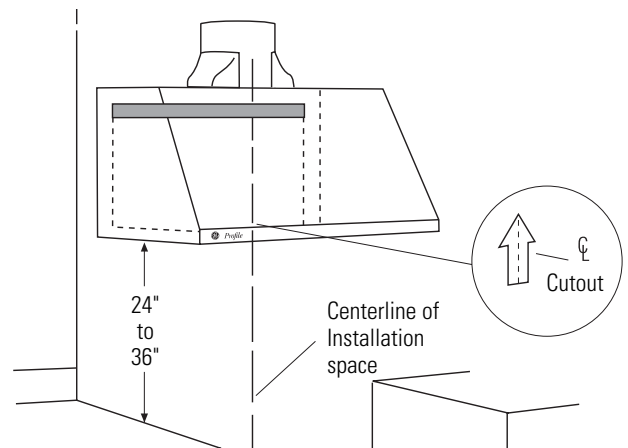
IMPORTANT: Remove shipping tape from damper and check that damper moves freely.



- Place the transition piece over the hood exhaust. Secure transition to hood with 4 screws provided.
- Use duct tape to seal the connection.

3 INSTALL HOOD ONTO WALL

- Lift the hood and place over the wood support. The top keyhole slots in the hood should engage the protruding mounting screws. Allow the hood to slide down into position.
- Pull house wiring through knockout at the rear or the top of the hood.
- Check to be sure the hood is level and centered. The arrow shaped cutout in the back of the hood allows viewing the marked centerline.
- Remove cover from junction box.



Drill Bottom Mounting Hole Locations

- Drill 1/8" pilot holes into the two lower mounting holes. Enlarge the holes if they did not enter studs to 3/8". Tap anchors for wall fasteners into bottom holes.
- Install screws by hand into the fasteners to allow anchors to expand against the wall. Remove screws.
- Using two large flat washers (supplied), install wood screws or wall fastener screws, loosely, into lower mounting holes. Do not tighten.
- Check hood level. Tighten upper screws. Tighten lower mounting screws.
- For additional security, drive screws through the original wood support screw holes in the back of the hood.

1 Ft = 0.3 m; 1" = 2.5 cm

Installation Instructions

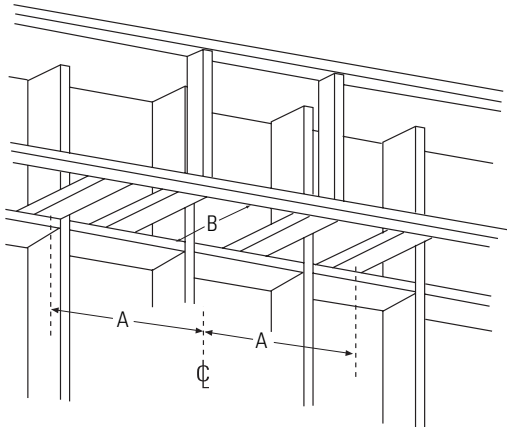
4 Alternate Mounting Method INSTALL HOOD TO SOFFIT OR BENEATH CABINETS

SKIP THIS STEP IF USING WALL MOUNTING METHOD

IMPORTANT: Framing must be capable of supporting 100 lbs (45.3 kg)

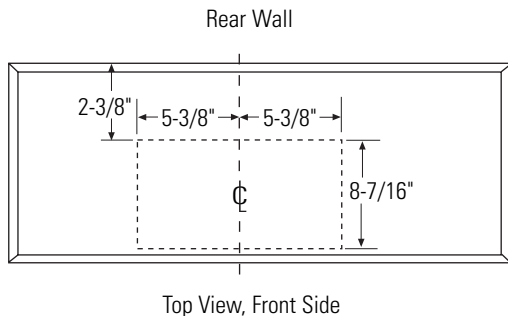
When necessary, the hood may be installed so that it is supported by the soffit.

- The soffit should be constructed with 2 x 4's.
- Determine the installation location.
- Continue the centerline forward on the bottom of the cabinet or soffit.



	"A" Centerline to Center of Stud	"B" Opening For Ductwork
30" Models	14½"	10¾"W x 8-7/16"D
36" Models	17½"	10¾"W x 8-7/16"D

- Mounting screws must be secured to 2 x 4 studs (Dim. "A") at locations shown in the above chart.
- Allow minimum opening (Dim. "B") to accommodate the duct transition in the soffit.

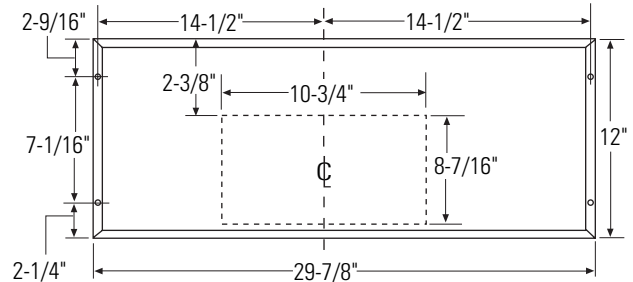


Top View, Front Side

Cut a 10¾" x 8-7/16" hole through bottom of soffit or cabinet for duct transition as shown.

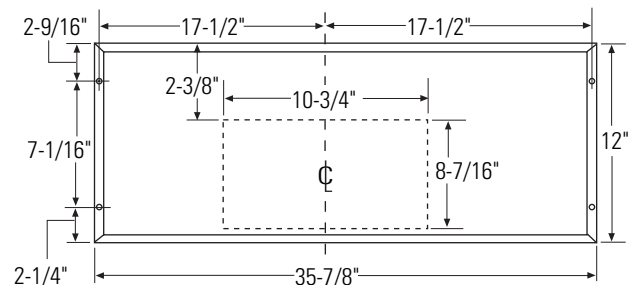
IMPORTANT: For additional support and to minimize vibration during operation, we strongly recommend that the hood also be secured to the back wall with wall fasteners.

30" Models



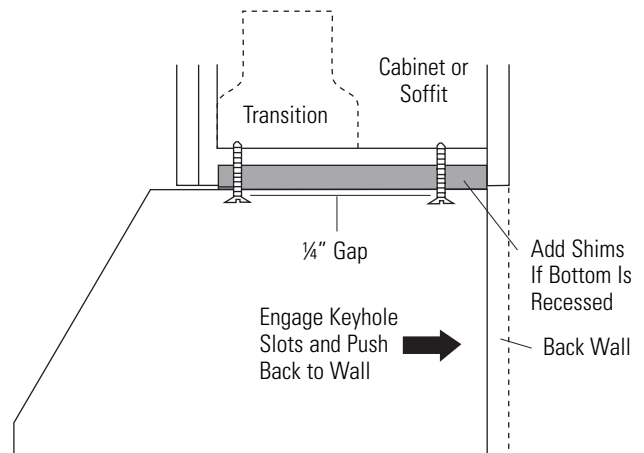
Top View, Front Side

36" Models



Top View, Front Side

- Drill four 1/8" pilot holes in locations shown.
- If mounting to the underside of a cabinet with a recessed bottom, install shims to fill the gap.



- Drive mounting screws into the studs until they protrude ¼". This ¼" gap will provide clearance to engage the keyhole slots in the top of the hood.
- Lift hood onto mounting screws. Slide back against the rear wall.
- Pull house wiring through the knockout at the rear or the top of the hood.
- Tighten mounting screws.

1 Ft = 0.3 m
1" = 2.5 cm

Installation Instructions

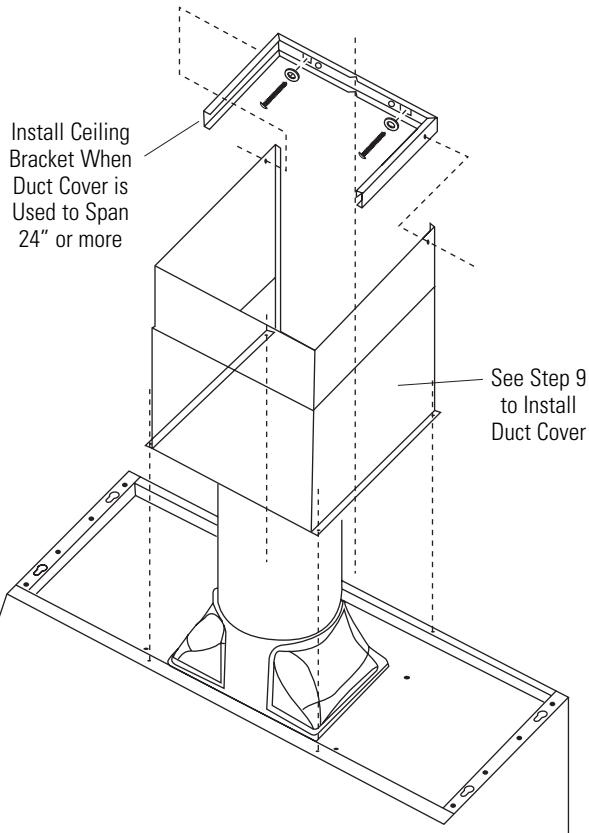
5 INSTALL CEILING BRACKET

The ceiling bracket must be installed when the duct cover is used to span 24" or more height above the hood. The bracket will hold the decorative duct cover in place at the top.

Note: The ceiling bracket is not required when using only the 12" section of the duct cover.

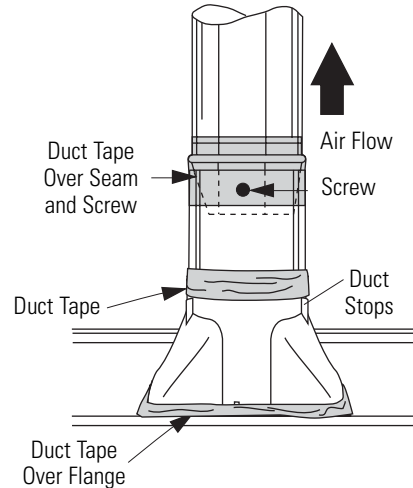
- Install the 2 small screws into the sides of the duct bracket. Remove the screws. Pre-tapping the holes will insure ease of final installation.
- Match center notch on the bracket to the centerline on the wall and flush against the ceiling.
- Mark the 2 screw hole locations.
- Drill 1/8" pilot holes in marked bracket location.
- If pilot holes do not enter studs, enlarge the holes to 3/8" and install wall fastener anchors.
- Secure the bracket to the rear wall with wood screws and washers. Use wall anchors if needed.

Note: Bracket has 2 sets of holes. Use larger holes for wall fasteners or wood screws with washers. Use smaller holes for wood screws with washers.



6 CONNECT DUCTWORK

- Push duct over the end of the transition until it reaches the stop tabs.
- Install ductwork, making connections in direction of airflow as illustrated.
- Secure joints in ductwork with sheetmetal screws.
- Wrap all duct joints with duct tape for an airtight seal.
- Use duct tape to seal the flange connection.



CAUTION:

Do not use sheet metal screws at the hood flange connection. Doing so will prevent proper damper operations. Seal connection with tape only.

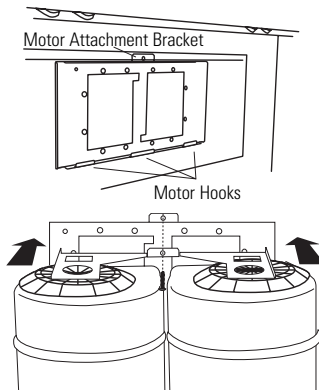
1 Ft = 0.3 m

1" = 2.5 cm

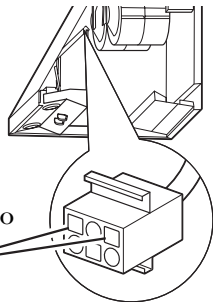
Installation Instructions

7 INSTALL MOTOR

- Align and engage the slots in the blower assembly to the 3 hooks at the rear of the exhaust opening.
- Rotate motor upwards until it aligns with the attachment screw location.
- Secure the motor to attachment bracket at the front of the opening with washer and screw provided.
- Plug the motor connector into the mating hood connector. See the illustration for the hood connector location. Touch the hood to locate and make the connection.



IMPORTANT: Hold the connector so the two square corner terminals are at the top as you position the connector to plug it in.

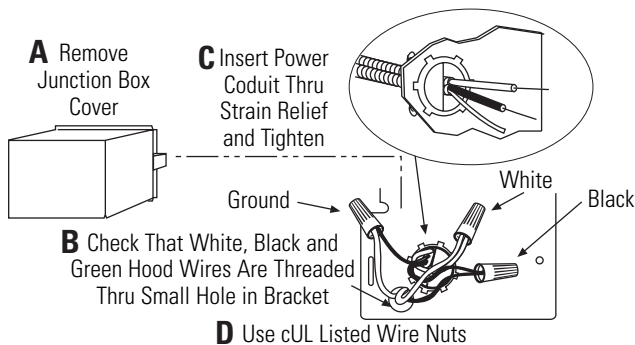


8 CONNECT ELECTRICAL

Verify that power is turned off at the source.

WARNING:

If house wiring is not 2-wire with a ground wire, a ground must be provided by the installer. When house wiring is aluminum, be sure to use cUL approved antioxidant compound and aluminum-to-copper connectors.



- Use wire nuts to connect incoming ground to green, white to white and black to black.
- Push wires into junction box and replace cover. Be sure wires are not pinched.

9 INSTALL DUCT COVERS

To install the 12" duct cover alone:

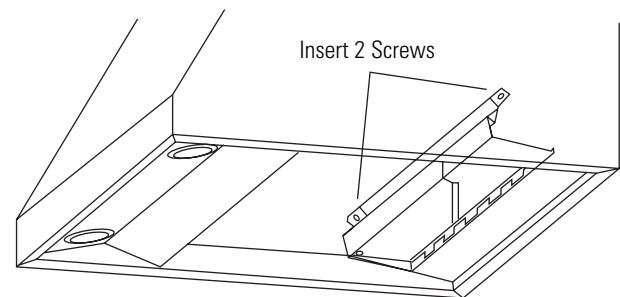
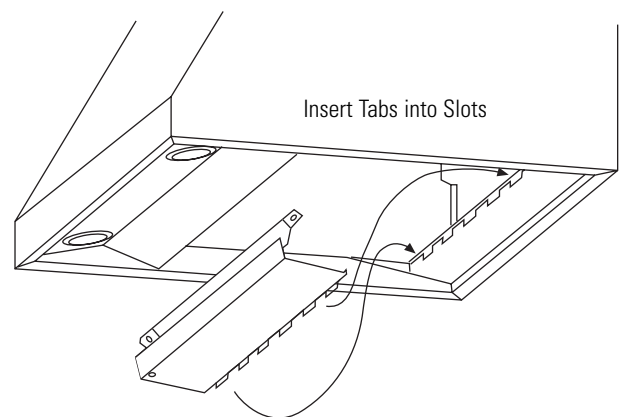
- Place the 12" section of the decorative duct cover on top of the hood.
- Secure the cover to the top of the hood with 4 screws provided.

To install the 12" duct cover alone:

- Place the 2-piece duct cover on top of the hood.
- Secure the bottom cover to the top of the hood with 4 screws provided. See illustration, page 16.
- Extend the inside section upwards to meet the ceiling and ceiling bracket.
- Secure the duct cover to the bracket with the 2 small Phillips screws provided.

10 INSTALL FILTER SUPPORT

- Tip filter support into the rear of the hood.
- Insert support tabs into the slots at the rear of the hood.



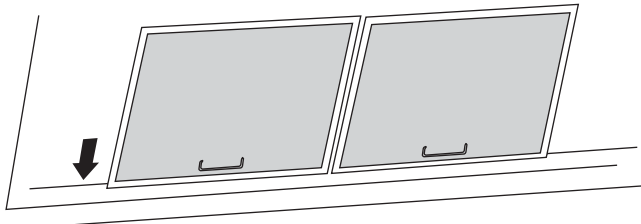
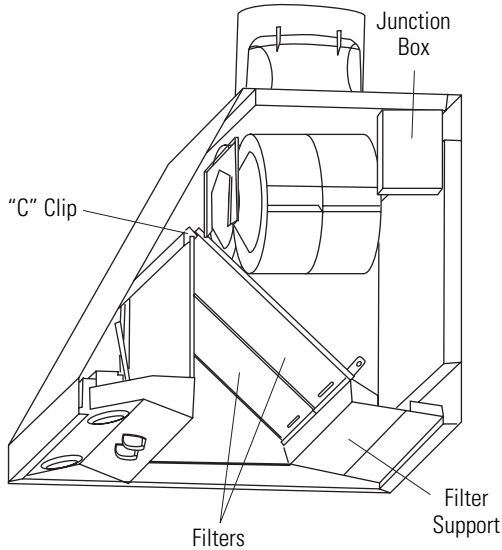
- Secure the support to the hood with screws as shown.

1 Ft = 0.3 m
1" = 2.5 cm

Installation Instructions

11 INSTALL FILTERS

- Remove protective film covering the filters.
- Insert the filter into the “C” clips mounted to the top of the vertical front panel.
- Tap the filter against one side to align with outside opening.
- Pull the filter down into the lower slots at the bottom of the filter support.

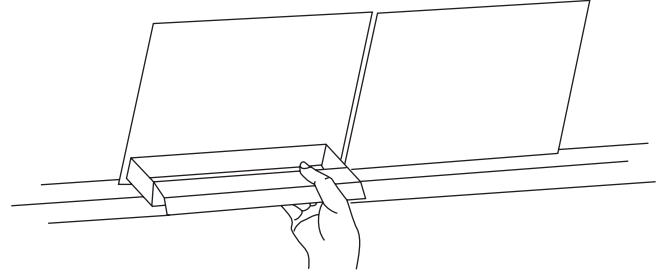


- To remove the filters, grasp the handle, push the filter up and pull forward.

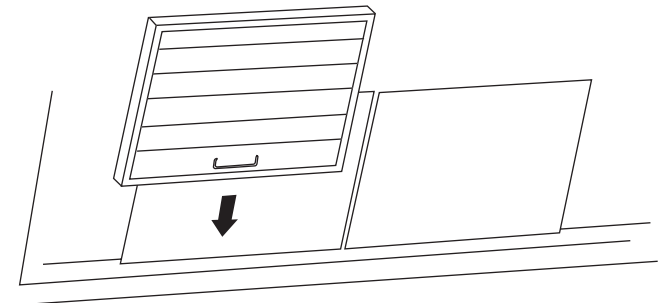
1 Ft = 0.3 m
1" = 2.5 cm

11A INSTALL OPTIONAL COMMERCIAL FILTERS

- Remove supplied filters (if installed).

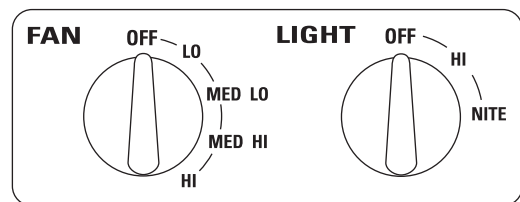


- Place the filter drip trays into the horizontal channel in the filter panel, located behind the filters. The grease will drain from the filters into these trays.
- Insert the filter into the “C” clips mounted to the top of the vertical front panel.



- Position the filter in the lower slots at the bottom of the filter support.

12 INSTALL CONTROL KNOBS



- Push control knobs onto the shafts.

13 FINALIZE INSTALLATION

- Refer to the operating instructions to test all controls.

Safety Instructions

Operating Instructions

Care and Cleaning

Troubleshooting Tips

Consumer Support

Before you call for service...



Troubleshooting Tips

Save time and money! Review the charts on the following pages first and you may not need to call for service.

Problem	Possible Causes	What To Do
Fan does not operate when the switch is on	A fuse may be blown or a circuit breaker tripped.	<ul style="list-style-type: none"> • Replace fuse or reset circuit breaker.
	The blower connector is loose or not plugged into its mating connector.	<ul style="list-style-type: none"> • Disconnect power to the unit. Remove the filters and look up at the blower. If the blower connector plug is loose or you see the connector dangling, the installer failed to plug it in securely. Although it is a blind connection, it is easy to plug in. See the <i>Installation Instructions</i> in this manual for the plug location and how to plug the connector in.
Fan fails to circulate air or moves air slower than normal	Excessively soiled filters.	<ul style="list-style-type: none"> • Remove the filters, clean if necessary and replace them. If cleaning and replacing the filters does not correct the problem, call for service.

Please place in envelope and mail to:
Veuillez mettre dans une enveloppe et envoyez à :

**OWNERSHIP REGISTRATION
P.O. BOX 1780
MISSISSAUGA, ONTARIO
L4Y 4G1**

**(FOR CANADIAN CONSUMERS ONLY -
POUR RÉSIDENTS CANADIENS SEULEMENT)**



For Canadian
Customers



Pour les
consommateurs
canadiens

CUT ALONG THIS LINE AND RETURN CARD - THANKS
DÉCOUPEZ ICI ET ENVOYEZ LA FICHE - MERCI

OWNERSHIP REGISTRATION CERTIFICATE – FICHE D'INSCRIPTION DU PROPRIÉTAIRE

Please register your product to enable us to contact you in the remote event a safety notice is issued for this product and to allow for efficient communication under the terms of our warranty, should the need arise.

Veillez enregistrer votre produit afin de nous permettre de communiquer avec vous si jamais un avis de sécurité concernant ce produit était émis et de communiquer facilement avec vous en vertu de votre garantie, si le besoin s'en fait sentir.

REGISTER ON-LINE: ENREGISTREMENT SUR INTERNET À :		www.geappliances.ca		MAIL TO:	P.O. BOX 1780, MISSISSAUGA
		www.electromenagersge.ca		POSTEZ À :	ONTARIO, L4Y 4G1
<input type="checkbox"/> MR. / M.	<input type="checkbox"/> MRS. / MME	FIRST NAME / PRÉNOM		LAST NAME / NOM	
<input type="checkbox"/> MISS/Mlle	<input type="checkbox"/> MS.				
STREET NO / N° RUE		STREET NAME / RUE			APT.NO/APP./RR#
CITY / VILLE			PROVINCE	POSTAL CODE/CODE POSTAL	
AREA CODE/ IND. RÉG.	TELEPHONE/TÉLÉPHONE		E-MAIL/COURRIEL		
DID YOU PURCHASE A SERVICE CONTRACT FOR THIS APPLIANCE? AVEZ-VOUS ACHETÉ UN CONTRAT DE SERVICE POUR CET APPAREIL ?				YES/OUI	<input type="checkbox"/> IF YES/SI OUI : EXPIRATION
				NO/NON	<input type="checkbox"/> Y/A M DJ
NAME OF SELLING DEALER / NOM DU MARCHAND				MODEL / MODÈLE	
INSTALLATION DATE / DATE D'INSTALLATION Y/A M DJ		CORRESPONDENCE CORRESPONDANCE	<input type="checkbox"/> ENGLISH <input type="checkbox"/> FRANÇAIS	SERIAL / SÉRIE	
<input type="checkbox"/> I do not wish to receive any promotional offers regarding this product. Je ne désire pas recevoir d'offres promotionnelles concernant ce produit.					

Range Hood Warranty.



All warranty service provided by our Factory Service Centers, or an authorized Customer Care® technician. To schedule service, on-line, 24 hours a day, visit us at www.GEAppliances.ca, or call 1.800.561.3344.

Staple your receipt here.
Proof of the original purchase date is needed to obtain service under the warranty.

For The Period Of: Mabe Will Replace:

One Year

From the date of the original purchase

Any part of the range hood which fails due to a defect in materials or workmanship. During this **full one-year warranty**, Mabe will also provide, **free of charge**, all labor and in-home service to replace the defective part.

What Mabe Will Not Cover:

- Service trips to your home to teach you how to use the product.
- Improper installation, delivery or maintenance.
- Failure of the product if it is abused, misused, or used for other than the intended purpose or used commercially.
- Replacement of house fuses or resetting of circuit breakers.
- Damage to the product caused by accident, fire, floods or acts of God.
- Incidental or consequential damage caused by possible defects with this appliance.
- Damage caused after delivery.

EXCLUSION OF IMPLIED WARRANTIES—Your sole and exclusive remedy is product repair as provided in this Limited Warranty. Any implied warranties, including the implied warranties of merchantability or fitness for a particular purpose, are limited to one year or the shortest period allowed by law.

This warranty is extended to the original purchaser and any succeeding owner for products purchased for home use within Canada. If the product is located in an area where service by a Mabe Authorized Servicer is not available, you may be responsible for a trip charge or you may be required to bring the product to an Authorized Mabe Service Location for service.

Some provinces do not allow the exclusion or limitation of incidental or consequential damages. This warranty gives you specific legal rights, and you may also have other rights which vary from province to province. To know what your legal rights are, consult your local or provincial consumer affairs office.

Warrantor: Mabe Canada Inc. Burlington, Ontario

Safety Instructions

Operating Instructions

Care and Cleaning

Troubleshooting Tips

Consumer Support

Consumer Support.



GE Appliances Website

GEAppliances.ca

Have a question or need assistance with your appliance? Try the GE Appliances Website 24 hours a day, any day of the year! For greater convenience and faster service, you can now download Owner's Manuals, order parts or even schedule service on-line.



Schedule Service

GEAppliances.ca

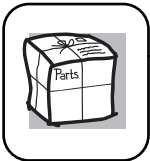
Expert Mabe repair service is only one step away from your door. Get on-line and schedule your service at your convenience 24 hours any day of the year! Or call 1-800-461-3636 during normal business hours.



Extended Warranties

GEAppliances.ca

Purchase a GE extended warranty and learn about special discounts that are available while your warranty is still in effect. You can purchase it on-line anytime, or call 1-888-261-2133 during normal business hours. Mabe Consumer Home Services will still be there after your warranty expires.



Parts and Accessories

GEAppliances.ca

Individuals qualified to service their own appliances can have parts or accessories sent directly to their homes (VISA, MasterCard and Discover cards are accepted). Order on-line today, 24 hours every day or by phone at 1-800-661-1616 during normal business hours.

Instructions contained in this manual cover procedures to be performed by any user. Other servicing generally should be referred to qualified service personnel. Caution must be exercised, since improper servicing may cause unsafe operation.



Contact Us

GEAppliances.ca

If you are not satisfied with the service you receive from Mabe, contact us on our Website with all the details including your phone number, or write to: General Manager, Customer Relations, Mabe Canada Inc.

Suite 310, 1 Factory Lane
Moncton, N.B. E1C 9M3



Register Your Appliance

GEAppliances.ca

Register your new appliance on-line—at your convenience! Timely product registration will allow for enhanced communication and prompt service under the terms of your warranty, should the need arise. You may also mail in the pre-printed registration card included in the packing material.



Hotte de cuisinière avec conduit d'évacuation

Sécurité2, 3

Utilisation

Commandes de la lampe4
Commande du ventilateur4

Entretien et nettoyage

Filtres à graisses5
Lampe de la hotte6
Surface de la hotte5
Surfaces en acier inoxydable5

Installation7-18

Dépannage20

Service à la clientèle

Enregistrement du produit21, 22
Garantie23
Service à la clientèle
..... Dernière de couverture

Manuel de l'utilisateur et
instructions d'installation

JV936
CV936

Inscrivez ici les numéros de
modèle et de série :

N° de modèle _____

N° de série _____

Ces numéros se trouvent sur une
étiquette située à l'intérieur de la hotte.



CONSIGNES DE SÉCURITÉ IMPORTANTES

LISEZ TOUTES LES INSTRUCTIONS AVANT D'UTILISER VOTRE APPAREIL.

Sécurité

Utilisation

Entretien et nettoyage

Dépannage

Service à la clientèle



CONSIGNES DE SÉCURITÉ

AVERTISSEMENT – POUR RÉDUIRE LES RISQUES D'INCENDIE, DE CHOC ÉLECTRIQUE OU DE BLESSURE, SUIVEZ LES INSTRUCTIONS CI-DESSOUS :

- A. Cet appareil doit uniquement être utilisé aux fins prévues par son fabricant. Si vous avez des questions, communiquez avec le fabricant.
- B. Avant de réparer ou d'entretenir l'appareil, coupez l'alimentation au tableau de distribution et bloquez le disjoncteur pour éviter que le courant ne soit accidentellement rétabli. Quand il n'est pas possible de bloquer le disjoncteur, posez un moyen d'avertissement bien visible, comme une étiquette, sur le tableau de distribution.
- C. N'utilisez pas cet appareil avec un dispositif de contrôle de la vitesse à semi-conducteurs.
- D. Cet appareil doit être mis à la terre.

ATTENTION – Pour évacuation de type général uniquement. N'utilisez pas cet appareil pour évacuer des substances ou des vapeurs nocives ou explosives.

ATTENTION – Pour réduire les risques d'incendie et assurer l'évacuation adéquate de l'air, assurez-vous d'acheminer les conduits vers l'extérieur. N'évacuez pas l'air dans des espaces intra-muraux, dans le plafond ou dans le grenier, dans un vide sanitaire ou le garage.

AVERTISSEMENT – POUR RÉDUIRE LES RISQUES DE BLESSURES EN CAS DE FEU DE GRAISSE SUR LA CUISINIÈRE, RESPECTEZ LES CONSIGNES SUIVANTES* :

- A. ÉTOUFFEZ LES FLAMMES en recouvrant l'ustensile d'un couvercle, d'une plaque à gâteaux ou d'un plateau en métal, puis éteignez le brûleur. FAITES ATTENTION DE NE PAS VOUS BRÛLER. Si les flammes ne s'éteignent pas immédiatement, ÉVACUEZ LES LIEUX ET APPELEZ LES POMPIERS.
- B. N'ESSAYEZ JAMAIS DE SOULEVER UN USTENSILE EN FEU – Vous pourriez vous brûler.
- C. N'UTILISEZ PAS D'EAU, de torchons ni de serviettes; une violente explosion de vapeur en résulterait.
- D. Utilisez un extincteur SEULEMENT si :
 1. Vous avez en votre possession un extincteur de classe ABC et vous savez vous en servir.
 2. Le feu est petit et contenu dans l'endroit où il s'est déclaré.
 3. Vous avez appelé les pompiers.
 4. Vous pouvez combattre le feu en faisant dos à une sortie.

* Selon la documentation « Kitchen Firesafety Tips » (Conseils de sécurité-incendie pour la cuisine) publiée par la NFPA.



CONSIGNES DE SÉCURITÉ

AVERTISSEMENT – POUR RÉDUIRE LES RISQUES DE FEU DE GRAISSE SUR LA CUISINIÈRE :

- A. Ne laissez jamais sans surveillance les éléments de surface à des réglages élevés. Les débordements peuvent produire de la fumée et des projections de graisse qui pourraient s'enflammer. Faites chauffer l'huile doucement à un réglage bas ou moyen.
- B. Mettez toujours la hotte en **MARCHE** lorsque vous cuisinez à feu fort ou lorsque vous faites flambez des aliments.
- C. Nettoyez régulièrement les ventilateurs. Ne laissez pas la graisse s'accumuler sur le ventilateur ou sur le filtre.
- D. Utilisez des ustensiles de dimensions appropriées. Utilisez toujours des ustensiles dont la taille correspond à celle de l'élément.

AVERTISSEMENT – POUR RÉDUIRE LES RISQUES D'INCENDIE, DE CHOC ÉLECTRIQUE OU DE BLESSURE, SUIVEZ LES INSTRUCTIONS CI-DESSOUS :

- A. L'installation et le câblage électrique doivent être effectués par une personne qualifiée conformément à tous les codes et toutes les normes applicables, dont ceux et celles concernant la résistance au feu de la construction.
- B. Une quantité d'air suffisante est nécessaire à une combustion et une évacuation appropriées des gaz par le conduit d'évacuation (cheminée) de l'équipement à combustible pour éviter tout refoulement. Suivez les instructions et normes de sécurité du fabricant de l'appareil chauffant, comme celles publiées par la National Fire Protection Association (NFPA), l'American Society for Heating, Refrigeration and Air Conditioning Engineers (ASHRAE) et les autorités locales.
- C. Lorsque vous effectuez des découpes ou que vous percez dans un mur ou un plafond, n'endommagez pas le câblage électrique ou les installations des services publics.
- D. Les conduits d'évacuation des ventilateurs doivent toujours être acheminés vers l'extérieur.

AVERTISSEMENT – POUR RÉDUIRE LES RISQUES D'INCENDIE, N'UTILISEZ QUE DES CONDUITS EN MÉTAL.

- N'essayez pas de réparer ou de remplacer une pièce de la hotte, sauf si cela est spécifiquement recommandé dans ce manuel. Toutes les autres réparations doivent être confiées à un technicien qualifié.

Sécurité

Utilisation

Entretien et nettoyage

Dépannage

Service à la clientèle

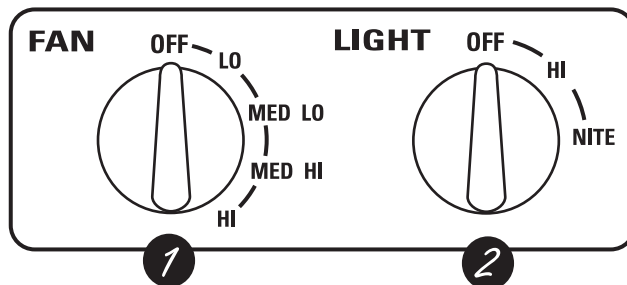


LISEZ ET SUIVEZ ATTENTIVEMENT CES CONSIGNES DE SÉCURITÉ.

LISEZ ET CONSERVEZ CES INSTRUCTIONS

Utilisation des commandes de la hotte

Dans tout ce manuel, les caractéristiques et l'aspect peuvent varier selon le modèle.



1 Commande du VENTILATEUR

Tournez le bouton **FAN (Ventilateur)** sur **LO (Bas)**, **MED LO (Moyen/bas)**, **MED HI (Moyen/élevé)** ou sur **HI (Élevé)**, selon le besoin.

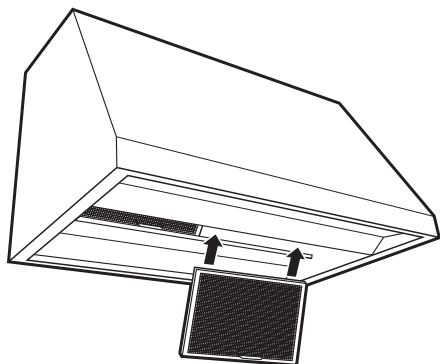
Lorsque vous cuisinez, une utilisation continue du système de ventilation aide à garder une cuisine agréable et moins humide. Cela diminue également les odeurs de cuisson et la saleté due à la condensation qui exigent des nettoyages réguliers.

REMARQUE : Lorsque le ventilateur fonctionne à la vitesse **LO**, il est très silencieux. Assurez-vous toujours que la commande de ventilateur est à la position **OFF (Arrêt)** lorsque vous avez terminé de cuisiner.

2 Commande de la LAMPE

Tournez la commande **LIGHT (Lampe)** sur **HI** pour éclairer votre surface de cuisson. Tournez la commande sur **NITE (Veilleuse)** pour l'utiliser comme veilleuse en soirée et pour la nuit.

Assurez-vous que l'alimentation électrique est coupée et que toutes les surfaces sont froides avant de nettoyer ou de réparer toute partie de la hotte.



Si jamais les filtres à graisses en métal doivent être remplacés, il est possible de les commander auprès de votre fournisseur GE.

Des filtres commerciaux de service intense peuvent également remplacer les filtres standard.

Pour les modèles de 30 po (76,2 cm), commandez le nécessaire n° **JXBF30SS**.

Pour les modèles de 36 po (91,4 cm), commandez le nécessaire n° **JXBF36SS**.

Pour commander, composez le **1-800-661-1616**

Filtres à graisses métalliques réutilisables

La hotte est équipée de deux filtres à graisses métalliques réutilisables.

Les filtres métalliques retiennent la graisse émise par les aliments lors de l'utilisation de la surface de cuisson. Ces filtres empêchent également les flammes provenant des aliments cuits sur la surface de cuisson d'endommager l'intérieur de la hotte.

Pour cette raison, il faut **TOUJOURS** que les filtres soient en place lors de l'utilisation de la hotte. Les filtres à graisses doivent être nettoyés tous les mois ou lorsque cela s'avère nécessaire.

Pour nettoyer les filtres à graisses, faites-les tremper, puis agitez-les dans un mélange d'eau chaude et de détergent. N'utilisez pas de produits contenant de l'ammoniaque, car ils noirciraient le métal. N'utilisez pas de produits de nettoyage pour four ou abrasifs. Vous pouvez effectuer un brossage léger pour éliminer les saletés incrustées. Rincez, secouez et laissez sécher les filtres avant de les réinstaller. **Il est également possible de les laver au lave-vaisselle.**

Retrait :

Saisissez la languette du filtre et tirez-la vers le haut, puis vers l'extérieur.

Remise en place :

- 1 Tenez la partie inférieure du filtre par la languette.
- 2 Placez la partie supérieure du filtre contre le côté intérieur de la partie avant de la hotte.
- 3 Faites-le coulisser jusqu'à l'arrêt, puis enfoncez la partie inférieure du filtre jusqu'à ce qu'il s'engage en un clic.

Surfaces peintes (certains modèles)

Pour nettoyer la surface de la hotte, utilisez un chiffon imbibé d'eau chaude et d'un détergent doux convenant aux surfaces peintes. Utilisez un linge propre, chaud et humide pour retirer le savon. Séchez à l'aide d'un chiffon propre et sec.

N'utilisez pas de tampon en laine d'acier ni tout autre produit de nettoyage abrasif. Ils égratigneraient la surface.

Pour commander :

Pour commander du CERAMA BRYTE®, produit pour nettoyer, polir et préserver l'acier inoxydable, veuillez composer notre numéro sans frais :

Centre national des pièces..... 1-800-661-1616

www.electromenagersge.ca

CERAMA BRYTE®
produit pour nettoyer, polir et préserver l'acier inoxydable N° PM10X313

Surfaces en acier inoxydable (certains modèles)

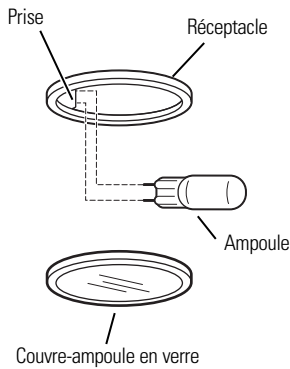
N'utilisez pas de tampon en laine d'acier, il égratignerait la surface.

- 1 Secouez bien la bouteille.
- 2 Appliquez une petite quantité de CERAMA BRYTE® sur un chiffon sec ou sur un essuie-tout sec.

- 3 Nettoyez une petite zone (environ 8 x 8 po/20 x 20 cm), en frottant dans le sens du grain de l'acier inoxydable, le cas échéant.
- 4 Séchez et polissez avec un essuie-tout ou un linge doux, sec et propre.
- 5 Répétez au besoin.

Entretien et nettoyage de la hotte

Assurez-vous que l'alimentation électrique est coupée et que toutes les surfaces sont froides avant de nettoyer ou de réparer toute partie de la hotte.



Lampe de la hotte

REMARQUE : Le couvre-ampoule ne doit être enlevé que lorsqu'il est froid. Le port de gants en latex permet de saisir plus facilement le couvre-ampoule.

ATTENTION : Avant de remplacer l'ampoule, coupez l'alimentation électrique au tableau de distribution (disjoncteurs ou fusibles).

Assurez-vous de laisser le couvre-ampoule et l'ampoule refroidir complètement.

Pour votre sécurité, ne touchez pas l'ampoule chaude à main nue ou avec un chiffon humide.

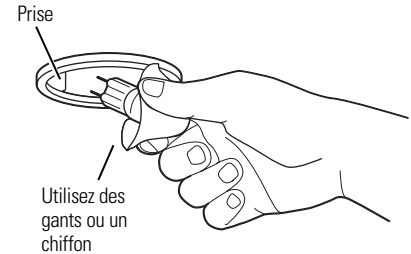
Pour retirer le couvre-ampoule :

- 1 Tournez le couvre-ampoule dans le sens antihoraire jusqu'à ce que le culot de l'ampoule soit accessible.
- 2 À l'aide de gants ou d'un chiffon sec, retirez l'ampoule en tirant dessus.

Pour remettre le couvre-ampoule :

- 1 Utilisez une ampoule halogène neuve de 12 V qui ne dépasse pas 20 W pour culot G-4.
- 2 À l'aide de gants ou d'un chiffon sec, retirez l'ampoule neuve de son emballage.

REMARQUE : Ne touchez pas à l'ampoule neuve avec vos doigts. Le fait de toucher l'ampoule diminue sa durée de vie.



- 3 Poussez l'ampoule à fond dans la prise.
- 4 Placez le couvre-ampoule sur le culot, puis tournez le couvre-ampoule dans le sens horaire jusqu'à ce qu'il se verrouille en place.

Pour un meilleur éclairage, nettoyez le couvre-ampoule fréquemment à l'aide d'un chiffon humide. Cela doit être fait lorsque la hotte est complètement froide.

- 5 Rétablissez l'alimentation électrique de la hotte.

Instructions d'installation

Hottes de cuisinière

Des questions? Appelez le 1-800-561-3344 ou consultez notre site Web : www.electromenagersge.ca

AVANT DE COMMENCER

Lisez attentivement toutes ces instructions.

- **IMPORTANT** – Conservez ces instructions pour l'inspecteur local.
- **IMPORTANT** – Observez tous les codes et règlements en vigueur.
- **Remarque destinée à l'installateur** – Veillez à laisser ces instructions au consommateur.
- **Remarque destinée au consommateur** – Conservez ces instructions pour vous y reporter ultérieurement.
- **Niveau de compétence** – L'installation de cette hotte de cuisinière nécessite des compétences de base en mécanique et en électricité.
- **Durée de l'installation** – 1 à 3 heures.
- L'installateur est responsable de la qualité de l'installation.
- Une panne du produit due à une mauvaise installation n'est pas couverte par la garantie.

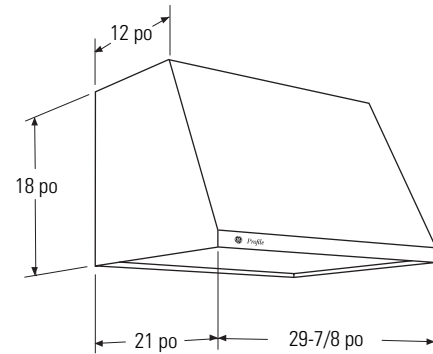
ATTENTION :

Compte tenu du poids et de la dimension de ces hottes, et afin de réduire les risques de blessure et pour ne pas endommager le produit, **SON INSTALLATION DOIT ÊTRE EFFECTUÉE PAR DEUX PERSONNES.**

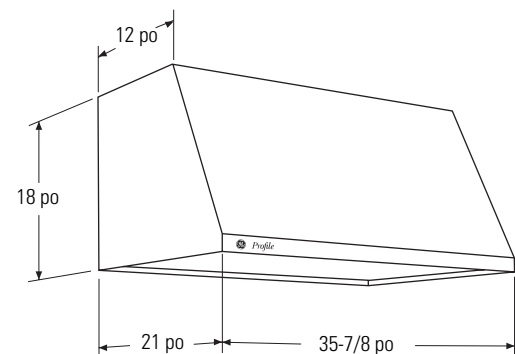
POUR VOTRE SÉCURITÉ :

AVERTISSEMENT – Avant de commencer l'installation, coupez le courant au tableau de distribution et bloquez le disjoncteur pour éviter que le courant ne soit accidentellement rétabli. Quand il n'est pas possible de bloquer le disjoncteur, posez un moyen d'avertissement bien visible, comme une étiquette, sur le tableau de distribution.

DIMENSIONS DU PRODUIT



Les modèles de 30 po requièrent une ouverture de 30 po de large



Les modèles de 36 po requièrent une ouverture de 36 po de large

1 pi = 0,3 m
1 po = 2,5 cm

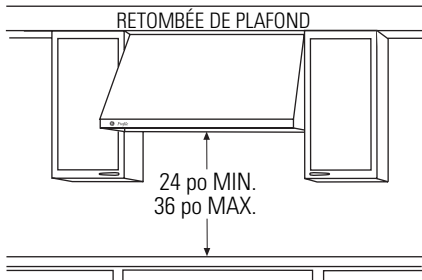
Instructions d'installation

DÉGAGEMENTS

Cette hotte d'évacuation a été conçue pour être installée sur un mur. Elle peut être installée sous une retombée de plafond ou sous une armoire.

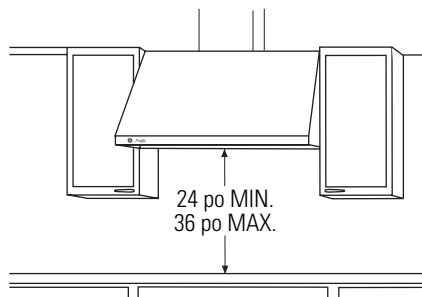
- Installez la hotte à au moins 24 po et à au plus 36 po de la surface de cuisson.

INSTALLATION SOUS UNE RETOMBÉE DE PLAFOND



Pour cette installation, le conduit d'évacuation de la partie supérieure de la hotte sera dissimulé dans la retombée de plafond ou dans l'armoire supérieure.

INSTALLATION MURALE



Pour cette installation, une garniture décorative permet de dissimuler le conduit d'évacuation de la partie supérieure de la hotte. L'utilisation d'une garniture décorative exige des hauteurs d'installation spécifiques au-dessus du comptoir. Pour un complément d'information, consultez la page 12.

1 pi = 0,3 m
1 po = 2,5 cm

ACCESSOIRES EN OPTION

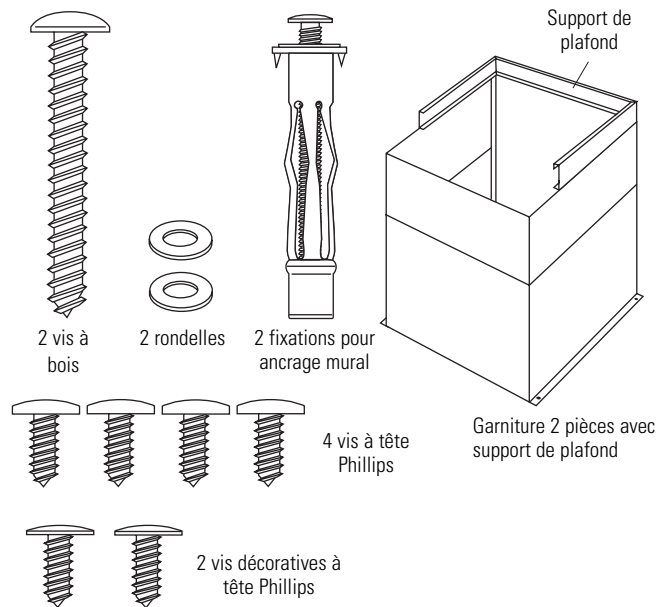
Garniture de conduit

Une garniture décorative est disponible pour les installations avec plafonds de 8 à 10 pi. La garniture de conduit est d'une hauteur minimale de 12 po, ou s'allonge de 24 à 34 po au maximum.

- La garniture dissimule le conduit d'évacuation du haut de la hotte jusqu'au plafond.
- Elle convient aux modèles de 30 po et de 36 po de large. Commandez la garniture de conduit au moment de commander votre hotte. Tous les accessoires doivent être sur place lors de l'installation de la hotte.

Commandez une garniture de couleur assortie à votre modèle :

JXCHBB - noire, **JXCHWW** - blanche,
JXCHCC - bisque, **JXCHSS** - acier inoxydable.



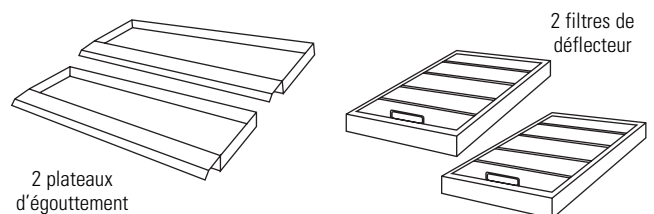
Nécessaire de filtres commerciaux

Utilisez ce nécessaire pour remplacer les filtres inclus dans l'ensemble.

JXBF30SS, nécessaire de filtres commerciaux pour modèle de 30 po.

JXBF36SS, nécessaire de filtres commerciaux pour modèle de 36 po.

Comprend 2 filtres commerciaux et 2 plateaux d'égouttement.



Instructions d'installation

PRÉPARATIFS

Préparatifs relatifs aux conduits d'évacuation

- Cette hotte peut être pourvue d'un conduit d'évacuation vertical à travers les armoires supérieures, la retombée de plafond ou le plafond. Un adaptateur de transition est fourni pour l'évacuation à la verticale. Utilisez des coudes disponibles en quincaillerie pour évacuer l'air horizontalement à travers le mur. Consultez la page 13.
- Déterminez l'emplacement exact de la hotte.
- Utilisez la longueur de conduit la plus courte et la plus rectiligne possible. Par souci d'efficacité, le conduit ne doit pas excéder 100 longueurs équivalentes dans toutes les configurations.
- Consultez le tableau « Raccords de conduit » pour calculer la longueur maximale admissible du conduit vers l'extérieur.
- Utilisez uniquement des conduits métalliques.
- Un adaptateur pour un conduit de 7 po est compris dans l'ensemble. Utilisez des conduits ronds de 7 po ou un conduit rectangulaire de 3¼ x 12 po.
- Installez un évent mural ou de toiture muni d'un registre dans l'ouverture extérieure. Commandez l'évent mural ou de toiture et tout adaptateur de transition à l'avance.

Nécessaire - JXDWI

Commandez le nécessaire JXDWI si votre installation requiert un conduit horizontal depuis la partie supérieure de la hotte vers le mur et si :

- Votre plafond fait 8 pi et que vous devez utiliser un capuchon de cheminée JXCH, ou
- Votre hotte sera fixée sous une armoire ou une retombée de plafond de 12 po.

Cet ensemble comprend un adaptateur de transition rond de 7 po à un conduit rectangulaire de 3¼ x 10 po pour une évacuation à travers le mur.

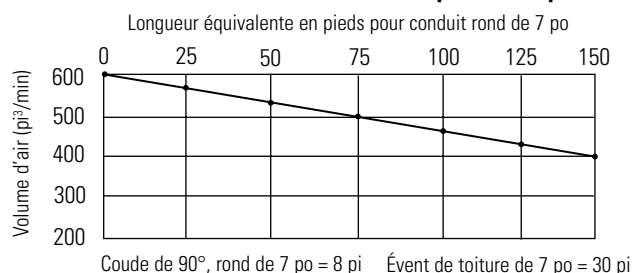
Charpente murale pour un support adéquat

- Cette hotte est très lourde. Pour soutenir la hotte, la charpente murale doit être adéquate. La hotte doit être fixée aux montants verticaux du mur. Consultez la page 14.
- Nous vous recommandons fortement d'avoir à portée de la main la hotte et la garniture de conduit pour tout travail d'ajustement de la charpente et de finition du mur. Ainsi, vous pourrez précisément repérer l'emplacement du conduit et du système électrique.

RACCORDS DE CONDUIT

Observez les exigences contenues dans les tableaux concernant la dimension de conduit appropriée.

RACCORD DE CONDUIT - Modèles de 30 po et de 36 po



LONGUEUR MAXIMALE DU CONDUIT : Conduit de 7 po de diamètre; ne doit pas excéder une longueur équivalente à 100 pi.

GARNITURES DE CONDUIT

Une garniture décorative est disponible pour les deux modèles. La garniture dissimule le conduit d'évacuation du haut de la hotte jusqu'au plafond ou jusqu'à la retombée de plafond. Elle convient aux plafonds de 8 à 10 pi. Pour un complément d'information, consultez la page 12.

ALIMENTATION ÉLECTRIQUE

IMPORTANT - (veuillez lire attentivement)

AVERTISSEMENT :

POUR VOTRE SÉCURITÉ, CET APPAREIL DOIT ÊTRE CORRECTEMENT MIS À LA TERRE.

Enlevez le fusible ou déclenchez le disjoncteur au panneau de distribution électrique avant d'entreprendre l'installation.

N'utilisez pas de rallonge électrique ni de fiche d'adaptation avec cet appareil. Observez le Code national de l'électricité ou la réglementation et les exigences locales en vigueur.

Alimentation électrique

Cette hotte est conçue pour une alimentation électrique de 120 V et 60 Hz, et doit être branchée à un circuit de dérivation individuel correctement mis à la terre et protégé par un disjoncteur de 15 ou 20 ampères ou par un fusible temporisé.

- Le câblage doit comprendre deux fils plus un fil de mise à la terre.
- Si votre système d'alimentation électrique ne répond pas aux exigences ci-dessus, demandez conseil auprès d'un électricien qualifié avant de débiter l'installation.
- Acheminez le câblage électrique le plus près possible de la hotte, de préférence dans le plafond, la retombée de plafond ou le mur. Pour un complément d'information, consultez la page 13.
- Effectuez les branchements de votre câblage résidentiel conformément aux codes en vigueur.

Instructions de mise à la terre

Le conducteur de terre doit être raccordé à une partie métallique, un câblage permanent, ou une borne ou un câble de mise à la terre de la hotte.

AVERTISSEMENT :

Un raccordement inadéquat du conducteur de terre de l'équipement peut accroître les risques de choc électrique. En cas de doute quant à la mise à la terre de l'appareil, consultez un électricien qualifié ou un représentant du service après-vente.

1 pi = 0,3 m

1 po = 2,5 cm

Instructions d'installation

RACCORDS DE CONDUIT

Utilisez ce tableau pour calculer la longueur maximale admissible du conduit vers l'extérieur.

Remarque : N'excédez pas la longueur équivalente maximale admissible!

Longueur de conduit maximale : 100 pieds pour une hotte.

Conduit flexible :

Si vous utilisez des conduits métalliques flexibles, toutes les valeurs en pieds équivalents du tableau doivent être doublées. Le conduit métallique flexible doit être droit et souple, et étiré le plus possible.

N'utilisez PAS de conduit flexible.

Remarque : Tout système de ventilation domestique telle une hotte d'évacuation peuvent interférer sur le débit adéquat de l'air de combustion et d'évacuation des foyers, des brûleurs à gaz, des chauffe-eau à gaz et de tout autre système à aspiration naturelle. Afin de minimiser les risques d'interruption de tels systèmes à aspiration naturelle, suivez les directives du fabricant de l'équipement de chauffage ainsi que les normes de sécurité publiées par la NFPA et l'ASHRAE.

Cette hotte doit être raccordée à un conduit rond de 7 po. On peut utiliser un adaptateur de transition rectangulaire de 3¼ x 12 po

Nécessaire - JXDW1





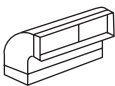
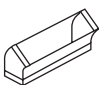
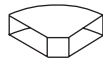







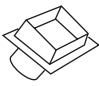
Commandez le nécessaire JXDW1 si votre installation requiert un conduit horizontal depuis la partie supérieure de la hotte vers le mur et si :

- Votre plafond fait 8 pi et que vous devez utiliser un capuchon de cheminée JXCH, ou
- Votre hotte sera fixée à une armoire ou à une retombée de plafond de 12 po.

Cet ensemble comprend un adaptateur de transition rond de 7 po à conduit rectangulaire de 3¼ x 10 po pour une évacuation à travers le mur.

L'utilisation d'un conduit de diamètre inférieur diminue le rendement de l'appareil

1 pi = 0,3 m
1 po = 2,5 cm

Section de conduit	Dimensions	Longueur équivalente*	Quantité utilisée	Longueur équivalente totale
	Droit, rond	1 pi (par pied de longueur)		
	Droit de 3¼ x 12 po	1 pi (par pied de longueur)		
	Coude de 90°	8 pi		
	Coude de 45°	6 pi		
	Coude de 3¼ x 12 po ou de 90°	15 pi		
	Coude de 3¼ x 12 po ou de 45°	9 pi		
	Coude plat de 3¼ x 12 po ou de 90°	20 pi		
	Adaptateur de trans., rond de 7 po à rectang. de 3¼ x 12 po	1 pi		
	Adaptateur de trans., rectang. de 3¼ x 12 po à rond de 7 po	5 pi		
	Coude de trans. de 90°, rond de 7 po à rectang. de 3¼ x 12 po	5 pi		
	Coude de transition de 90°, rectang. de 3¼ x 12 po à rond de 7 po	15 pi		
	Évent mural rond avec registre	30 pi		
	Évent mural rectang. de 3¼ x 12 po avec registre	30 pi		
	Évent de toiture, rond de 7 po	30 pi		
	Évent de toiture, rond	24 pi		

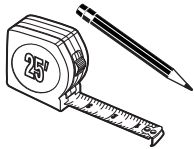
*Équivalent à la longueur réelle du conduit droit et du raccord. Les longueurs équivalentes des sections de conduit sont basées sur des essais réels effectués par GE Evaluation Engineering et représentent les longueurs nécessaires à une bonne ventilation pour tout type de hotte.

Longueur totale de conduit _____

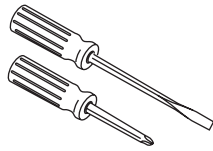
Instructions d'installation

OUTILS ET MATÉRIAUX NÉCESSAIRES

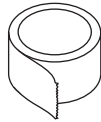
(NON COMPRIS)



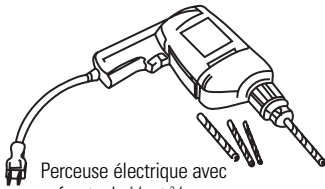
Crayon et ruban à mesurer



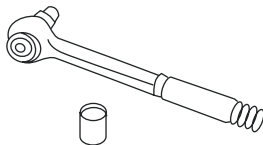
Tournevis Phillips et tournevis plat



Ruban adhésif en toile



Perceuse électrique avec forets de 1/8 et 3/8 po



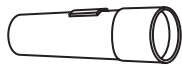
Douille hexagonale pivotante de 1/4 po



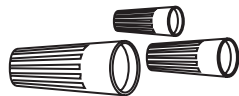
Niveau à bulle



Lunettes de sécurité



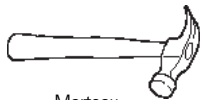
Lampe torche



Capuchons de connexion homologués cUL



Pince



Marteau



Cisailles à métaux



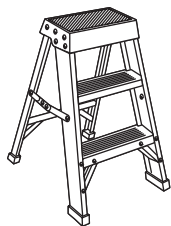
Pince coupante à dénuder



Scie sauteuse ou scie à guichet



Clé Allen



Escabeau

Autres matériaux :

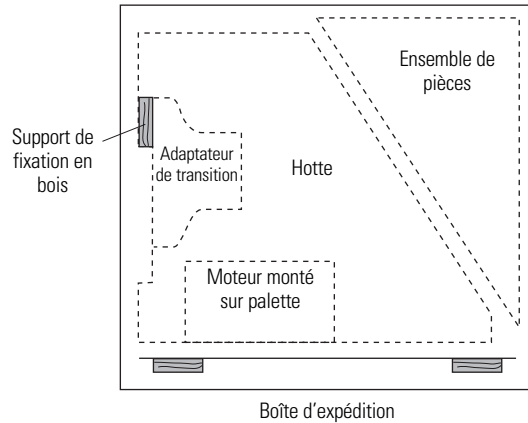
- 120 V, 60 Hz. 15 ou 20 A, 2 fils avec fil de mise à la terre. Circuit de dérivation mis à la terre.
- Serre-câble pour boîte de jonction.
- Conduit rond de 7 po ou rectangulaire de 3/4 x 12 po en longueur suffisante pour l'installation.

DÉBALLAGE

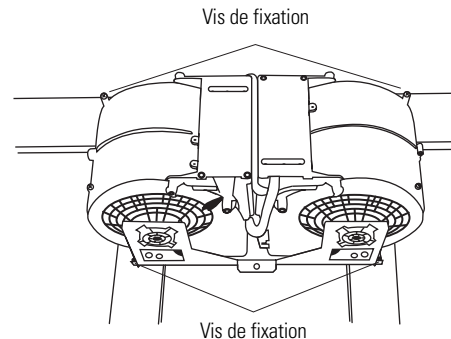
- Retirez les pièces de la section de carton en V. Retirez la pièce de carton. Retirez les tampons d'expédition.
- Sortez la hotte de la boîte.

ATTENTION :

Soulevez la hotte par les bords extérieurs de l'ouverture de ventilation sur la partie supérieure de la hotte. **Ne soulevez pas la hotte par les cloisons de l'ouverture de ventilation pour éviter les dommages.**



- Retirez l'adaptateur de transition de l'intérieur de la hotte. Mettez les vis au rebut.
- Le moteur de la hotte est fixé sur une palette au moyen de 4 vis. Repérez les 2 vis de chaque côté du moteur et retirez-les. Mettez au rebut la palette.



- Depuis l'intérieur de la hotte, retirez les vis de transport maintenant le support en bois fixé à la partie arrière de la hotte. Mettez de côté le support en bois et les vis pour les utiliser plus tard au cours de l'installation. Ne les mettez pas au rebut.
- Retirez le couvercle de la boîte de jonction et l'alvéole défonçable.
- Installez un serre-câble sur la partie arrière ou la partie supérieure de la hotte.
- Retirez le ruban et le matériel d'emballage de la hotte, de l'adaptateur de transition et du moteur.

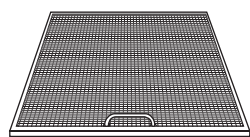
1 pi = 0,3 m

1 po = 2,5 cm

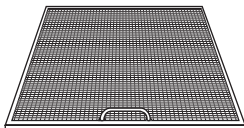
Instructions d'installation

PIÈCES COMPRISES

Repérez la boîte contenant les accessoires compris avec la hotte et vérifiez-en le contenu.



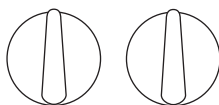
2 filtres à graisses en aluminium



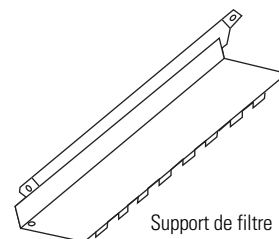
2 boutons de commande



Vis, fixations murales, rondelles



Adaptateur de transition avec registre



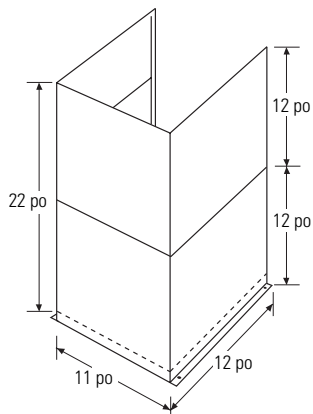
Support de filtre

EXIGENCES RELATIVES À LA GARNITURE DE CONDUIT

Nous vous recommandons fortement d'avoir la hotte et la garniture décorative, le cas échéant, à portée de la main lors des travaux d'ajustement de la charpente et de finition du mur. Ainsi, vous pourrez précisément repérer l'emplacement des montants, du conduit et du système électrique. Lisez ces instructions pour savoir si la garniture décorative peut être utilisée dans votre cas.

Garniture décorative :

- Utilisez la garniture décorative pour dissimuler le conduit d'évacuation du haut de la hotte jusqu'au plafond.
- La garniture décorative est composée de deux pièces. La section extérieure fait 12 po de haut, alors que la section intérieure fait 22 po. Une fois emboîtées, les deux sections forment une structure dont la hauteur peut être réglée entre 24 et 34 po.
- La section extérieure peut être utilisée seule pour dissimuler un conduit de 12 po de haut.
- Pour une hauteur de conduit supérieure à 12 po, le support de plafond doit être installé pour fixer la garniture de conduit.



Pour éviter des écarts inutiles, prévoyez d'installer la hotte à une hauteur correspondant à la longueur appropriée de la garniture.

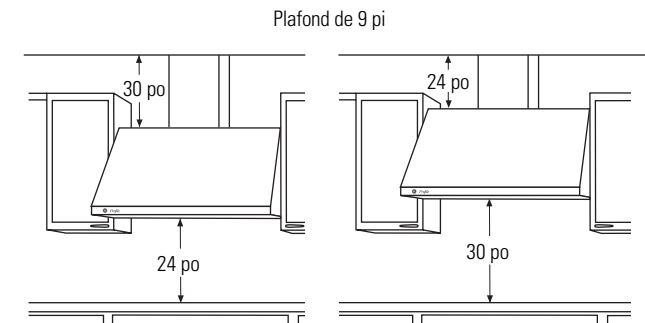
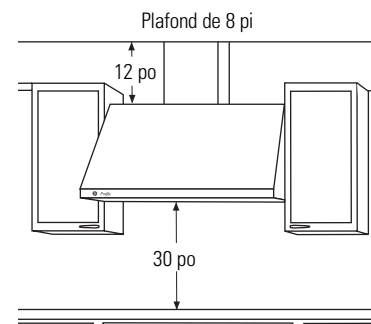
- La garniture convient à une hauteur minimale de 12 po entre la partie supérieure de la hotte et le plafond, – ou entre 24 po et 34 po entre la partie supérieure de la hotte et le plafond.

LA GARNITURE DE CONDUIT NE PEUT PAS ÊTRE UTILISÉE SI LA DISTANCE ENTRE LA PARTIE SUPÉRIEURE DE LA HOTTE ET LE PLAFOND EST ENTRE 12 ET 24 po.

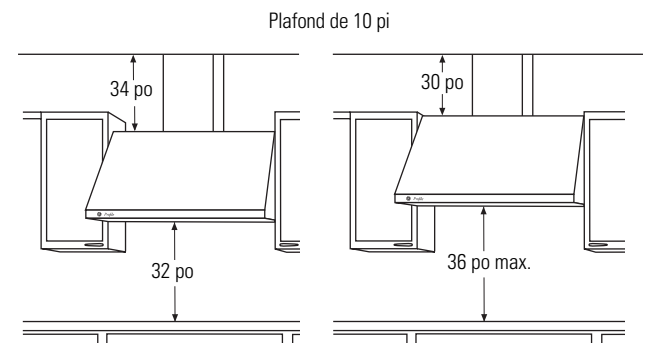
1 pi = 0,3 m
1 po = 2,5 cm

Passez en revue les exemples suivants afin de garantir une installation « sans tracas » avec garniture.

Plafond de 8 pi : La hotte doit être installée à 30 po au-dessus de la surface de cuisson (ou à 66 po du sol). La garniture de conduit ne pourra pas être utilisée si la hotte est installée à une hauteur inférieure ou supérieure. Utilisez la section de 12 po et mettez de côté la section intérieure.



Plafond de 9 pi : Installez la hotte à au moins 24 po et au plus 30 po de la surface de cuisson. La garniture de conduit pourra être allongée pour recouvrir le conduit jusqu'au plafond.



Plafond de 10 pi : Installez la hotte à au moins 32 po et à au plus 36 po de la surface de cuisson. La garniture de conduit s'allonge jusqu'à 34 po du haut de la hotte jusqu'au plafond.

Instructions d'installation

EMPLACEMENTS DE LA HOTTE, DU CONDUIT ET DU CÂBLAGE

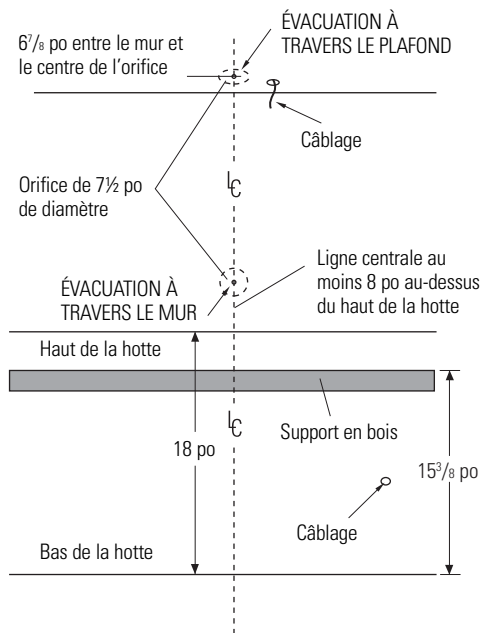
- Mesurez la distance voulue entre la partie inférieure de la hotte et la surface de cuisson, soit entre au moins 24 po et au plus 36 po. Consultez la page précédente si vous utilisez la garniture de conduit.
- À l'aide d'un niveau, tracez une ligne horizontale pour marquer l'emplacement de la partie inférieure de la hotte.
- À l'aide d'un niveau, tracez une ligne pour marquer une ligne centrale correspondant au centre de la surface de cuisson.
- À $15\frac{5}{8}$ po au-dessus de la ligne horizontale correspondant au bas de la hotte, tracez une ligne horizontale.
- À 18 po au-dessus de la ligne correspondant au bas de la hotte, tracez une ligne horizontale pour indiquer le haut de la hotte.

POUR UN CONDUIT VERTICAL (droit) :

- Si le conduit passe à travers le plafond, prolongez la ligne centrale jusqu'au plafond.
- À $6\frac{7}{8}$ po du mur de gypse, marquez l'emplacement du centre de l'orifice de $7\frac{1}{2}$ po de diamètre pour le passage du conduit.
- S'il n'y a pas encore de gypse au mur, ajoutez l'épaisseur du gypse à la mesure de $6\frac{7}{8}$ po.

Conduit à travers une retombée de plafond ou une armoire supérieure.

- Suivez la procédure pour l'installation du conduit dans le plafond pour pratiquer un orifice de $7\frac{1}{2}$ po de diamètre à travers la retombée de plafond ou l'armoire.
- Consultez l'étape 4 à la page 5 pour pratiquer l'ouverture de l'adaptateur de transition.



ÉVACUATION À TRAVERS LE MUR :

- Mesurez la longueur de l'adaptateur de transition inclus et de tous les conduits utilisés, plus la hauteur de coude de 90°. Tracez une ligne horizontale sur le mur à l'intersection avec la ligne centrale.

Emplacement du câblage :

- La boîte de jonction est fixée à droite sur la partie arrière de la hotte. Consultez les illustrations pour connaître l'emplacement de la plaque sectionnable.

Remarque : La boîte de jonction peut être installée à l'intérieur de la hotte, dans sa partie supérieure.

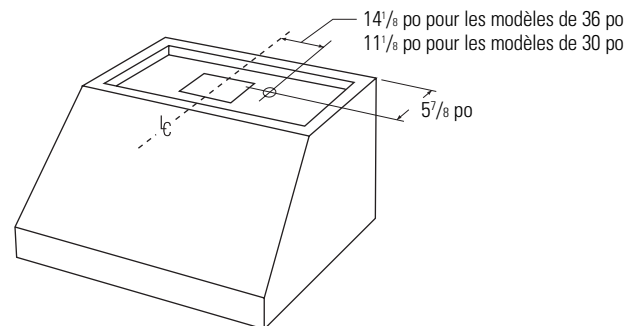
Le câblage de la résidence peut être inséré dans la boîte de jonction par l'arrière ou le haut de la hotte, à droite.

Pour acheminer le câblage par le plafond ou la retombée de plafond :

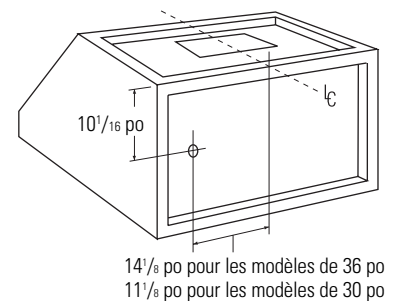
- Percez un trou d'environ 1 po de diamètre, à $5\frac{7}{8}$ po du mur, à $11\frac{1}{8}$ po à droite de la ligne centrale pour les modèles de 30 po, ou à $14\frac{1}{8}$ po à droite de la ligne centrale pour les modèles de 36 po.

Pour acheminer le câblage par le mur :

- Percez un trou d'environ 1 po de diamètre, à $10\frac{1}{16}$ po du haut de la hotte, à $11\frac{1}{8}$ po à droite de la ligne centrale pour les modèles de 30 po, ou à $14\frac{1}{8}$ po à droite de la ligne centrale pour les modèles de 36 po.
- Retirez la plaque sectionnable supérieure ou arrière selon votre installation.



Emplacement des plaques sectionnables



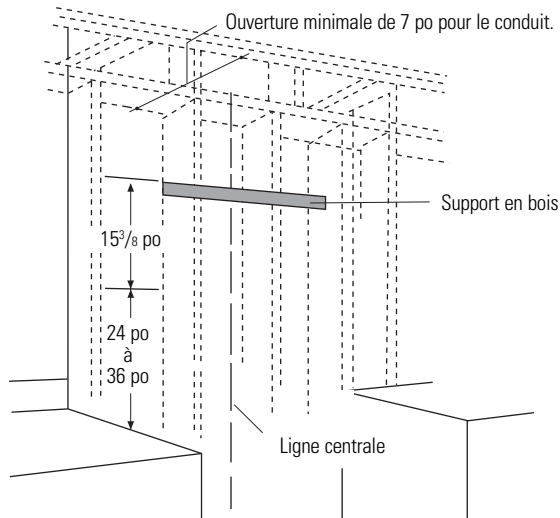
1 pi = 0,3 m
1 po = 2,5 cm

Instructions d'installation

1 INSTALLATION DU SUPPORT DE LA HOTTE

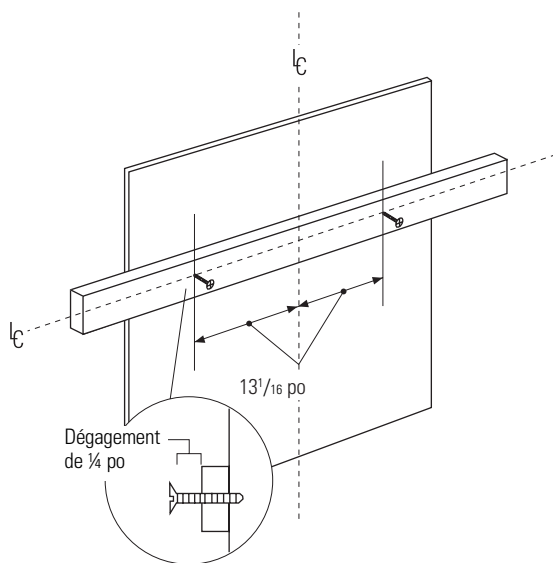
IMPORTANT : La charpente doit pouvoir supporter une charge de 100 lb (45,3 kg).

- Repérez au moins 2 montants verticaux pour fixer le support en bois en frappant le gypse avec un marteau ou en utilisant un détecteur de montant.
- Centrez le support horizontal en bois compris dans l'ensemble de gauche à droite, et sous la ligne horizontale tracée précédemment.



- Percez des avant-trous de $1/8$ po à travers le support, le gypse et les montants. Fixez le support à au moins 2 montants verticaux au moyen des vis à bois comprises dans l'ensemble.

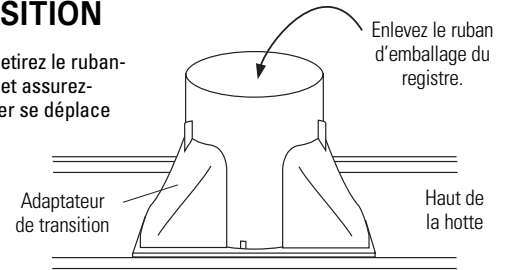
IMPORTANT : Les vis doivent être insérées à au moins $1\frac{1}{2}$ po dans les montants verticaux. Chanfreinez les trous de vis sur le support.



- Installez les vis de fixation au centre du support en bois à $13\frac{1}{16}$ po de la ligne centrale. Les vis doivent présenter une saillie de $1/4$ po. Cette saillie de $1/4$ po permet de suspendre la hotte.

2 INSTALLATION DE L'ADAPTATEUR DE TRANSITION

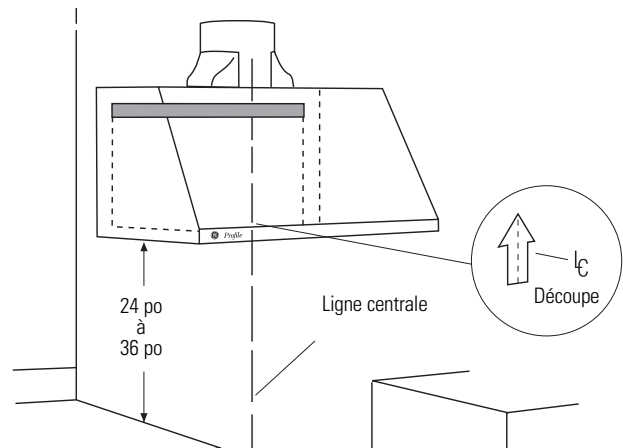
IMPORTANT : Retirez le ruban-cache du registre et assurez-vous que ce dernier se déplace librement.



- Placez l'adaptateur de transition sur la sortie d'évacuation. Fixez l'adaptateur de transition à la hotte en utilisant les 4 vis fournies.
- Utilisez du ruban adhésif en toile pour sceller le raccordement.

3 INSTALLATION DE LA HOTTE AU MUR

- Soulevez la hotte et placez-la contre le support en bois. Les fentes de la partie supérieure de la hotte doivent s'engager dans les vis de fixation en saillie. Laissez la hotte se placer en position dans les fentes.
- Insérez le câble électrique dans l'orifice de la boîte de jonction de la partie arrière ou supérieure de la hotte.
- Assurez-vous que la hotte est de niveau et qu'elle est centrée. La découpe en forme de flèche sur la partie arrière de la hotte permet de voir la ligne centrale tracée sur le mur.
- Retirez le couvercle de la boîte de jonction.



Perçage des orifices de montage inférieurs

- Percez des avant-trous de $1/8$ po dans les deux orifices de montage inférieurs. Agrandissez les trous à $3/8$ po s'il est impossible d'atteindre les montants. Insérez des ancrages dans les orifices inférieurs.
- Posez les vis dans les fixations à la main afin de permettre l'expansion des ancrages dans le mur. Retirez les vis.
- En utilisant deux grosses rondelles (comprises), installez les vis à bois ou les vis d'ancrage à la main dans les trous de montage. Ne les serrez pas.
- Vérifiez si la hotte est de niveau. Serrez les vis de la partie supérieure. Serrez les vis de la partie inférieure.
- Par souci de sécurité, posez les vis dans les orifices d'origine de la hotte.

1 pi = 0,3 m; 1 po = 2,5 cm

Instructions d'installation

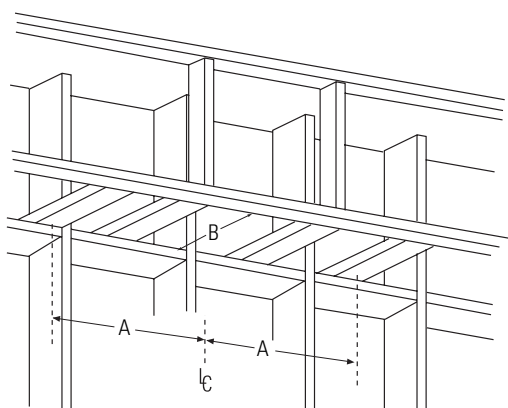
4 Autre méthode de montage INSTALLATION DE LA HOTTE SOUS UNE RETOMBÉE DE PLAFOND OU UNE ARMOIRE

PASSEZ CETTE ÉTAPE SI VOUS FIXEZ LA HOTTE AU MUR

IMPORTANT : La charpente doit pouvoir soutenir une charge de 100 lb (45,3 kg).

Au besoin, la hotte peut être soutenue par la retombée de plafond.

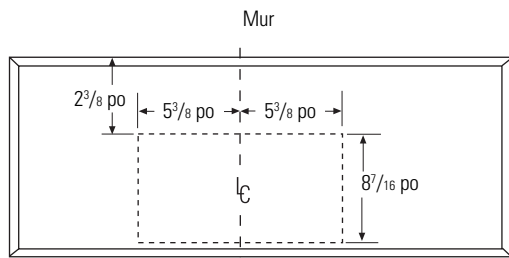
- La retombée de plafond doit être construite en pièces de bois de 2 x 4 po.
- Déterminez l'emplacement de l'appareil.
- Prolongez la ligne centrale jusqu'au bas de la retombée de plafond ou de l'armoire.



« A » Ligne centrale au centre du montant
« B » Ouverture pour le conduit

Modèles de 30 po	14½ po	10¾ po de large x 8 ⁷ / ₁₆ po de profondeur
Modèles de 36 po	17½ po	10¾ po de large x 8 ⁷ / ₁₆ po de profondeur

- Les vis de fixation doivent être fixées à des montants de 2 x 4 po (dim. « A ») aux emplacements indiqués dans le tableau ci-dessus.
- Prévoyez une ouverture suffisante (dim. « B ») pour loger l'adaptateur de transition dans la retombée de plafond.

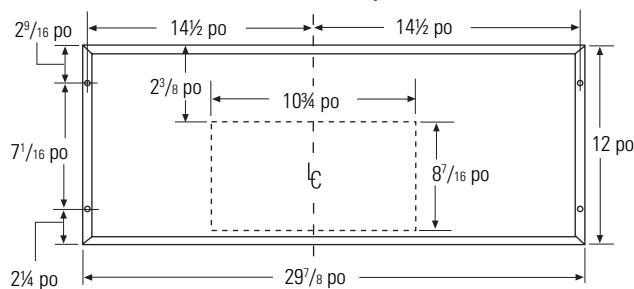


Vue de dessus, partie avant

Pratiquez un trou de 10¾ x 8⁷/₁₆ po sous la retombée de plafond ou l'armoire pour y insérer l'adaptateur de transition comme le montre l'illustration.

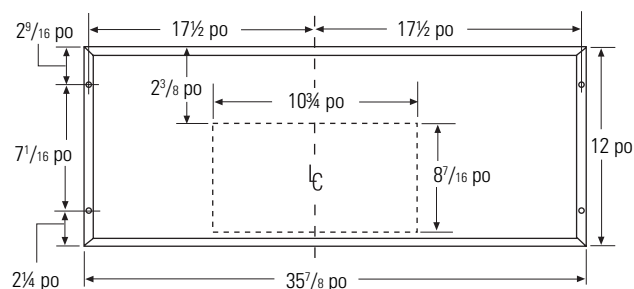
IMPORTANT : Pour un support supplémentaire et pour minimiser les vibrations pendant le fonctionnement, nous vous recommandons de fixer également la hotte au mur à l'aide des fixations murales.

Modèles de 30 po



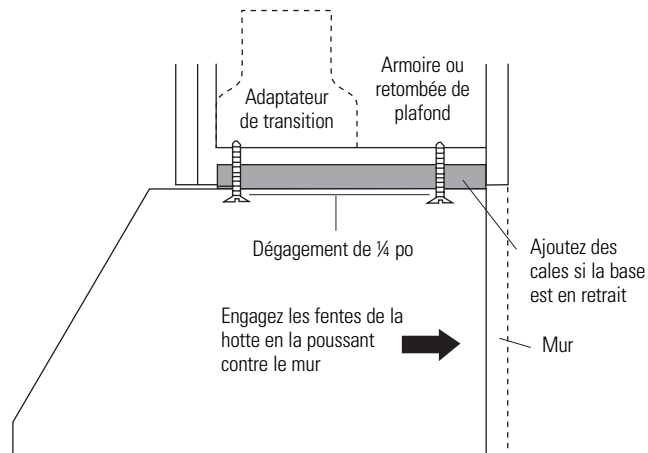
Vue de dessus, partie avant

Modèles de 36 po



Vue de dessus, partie avant

- Percez des avant-trous de ½ po aux emplacements indiqués.
- Si la hotte est fixée à une armoire pourvue d'une base en retrait, installez des cales pour combler l'espace.



- Installez les vis dans les montants en laissant une saillie de ¼ po. Cette saillie de ¼ po permet d'engager les trous piriformes de la partie supérieure de la hotte.
- Soulevez la hotte et suspendez-la sur les vis de fixation. Poussez la hotte contre le mur.
- Insérez le câble électrique dans l'orifice de la boîte de jonction de la partie arrière ou supérieure de la hotte.
- Serrez les vis de fixation.

1 pi = 0,3 m
1 po = 2,5 cm

Instructions d'installation

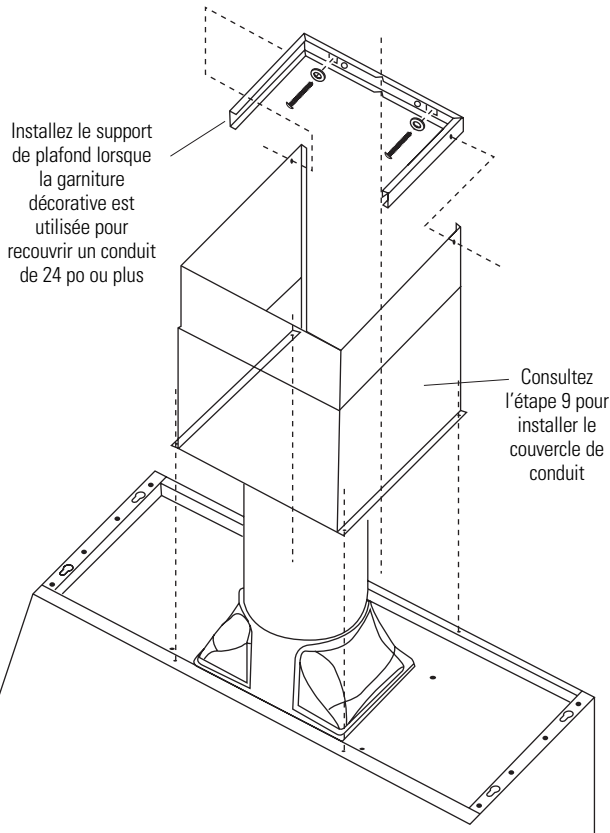
5 INSTALLATION DU SUPPORT DE PLAFOND

Le support de plafond doit être installé lorsque la garniture de conduit est utilisée pour recouvrir un conduit d'au moins 24 po entre la hotte et le plafond. Le support permet de fixer la garniture décorative en place au plafond.

Remarque : Le support de plafond n'est pas nécessaire si on utilise uniquement la section de 12 po.

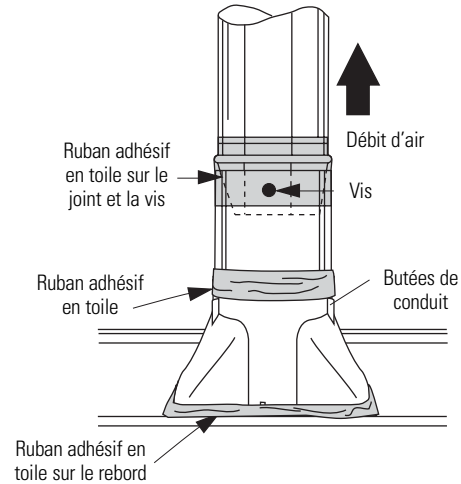
- Installez 2 petites vis sur les parois latérales du support de conduit. Retirez les vis. Le taraudage des trous permettra de faciliter l'installation.
- Alignez l'encoche centrale du support avec la ligne centrale sur le mur, la hotte reposant fermement contre le plafond.
- Marquez l'emplacement des 2 vis.
- Percez des avant-trous de $\frac{1}{8}$ po aux emplacements marqués.
- Si les avant-trous n'atteignent pas les montants, agrandissez-les à $\frac{3}{8}$ po pour installer des ancrages.
- Fixez le support au mur au moyen de vis à bois et de rondelles. Utilisez les ancrages au besoin.

Remarque : Le support est pourvu de 2 ensembles de trous. Utilisez les gros trous pour les ancrages ou les vis à bois avec rondelles. Utilisez les petits trous pour les vis à bois avec rondelles.



6 RACCORDEMENT DU CONDUIT

- Insérez le conduit sur l'adaptateur de transition jusqu'à ce qu'il atteigne les butées.
- Installez le conduit selon la direction du débit d'air, comme le montre l'illustration.
- Fixez les conduits en installant des vis autotaraudeuses sur les joints.
- Appliquez du ruban adhésif en toile pour sceller les joints.
- Utilisez du ruban adhésif en toile pour sceller le joint entre l'adaptateur et les rebords.



ATTENTION :

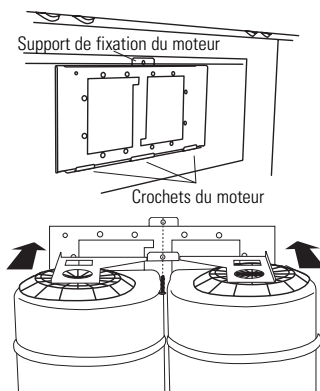
N'utilisez pas de vis autotaraudeuses sur le rebord de la hotte. Les vis à cet endroit empêcheraient le registre de fonctionner adéquatement. Scellez le joint avec ruban seulement.

1 pi = 0,3 m
1 po = 2,5 cm

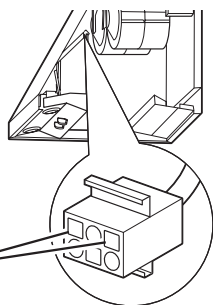
Instructions d'installation

7 INSTALLATION DU MOTEUR

- Alignez les fentes du ventilateur avec les 3 crochets situés à l'arrière de l'ouverture de ventilation, puis engagez les fentes.
- Tournez le moteur vers le haut jusqu'à ce qu'il s'aligne avec l'emplacement de la vis de fixation.
- Fixez le moteur au support de fixation à l'avant de l'ouverture au moyen de la rondelle et de la vis fournies.
- Raccordez le connecteur du moteur au connecteur correspondant de la hotte. Consultez l'illustration pour connaître l'emplacement du connecteur de la hotte. Tâtez l'intérieur de la hotte pour repérer le connecteur et faire le branchement.



IMPORTANT : Tenez le connecteur de sorte que les deux bornes carrées se trouvent au haut du connecteur pour le brancher.

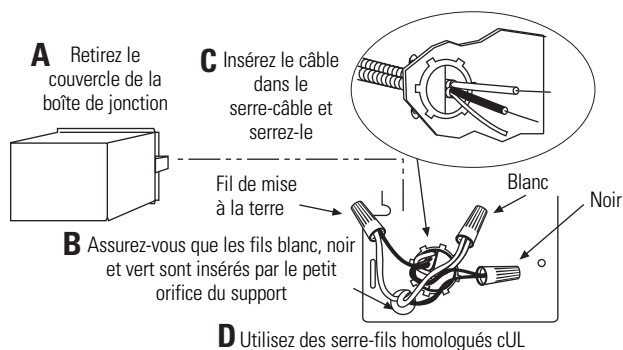


8 RACCORDEMENT ÉLECTRIQUE

Assurez-vous que le circuit est hors tension.

AVERTISSEMENT :

Si le circuit de la maison n'est pas un circuit à deux fils muni d'un fil de mise à la terre, l'installateur doit poser un fil de mise à la terre. Lorsque le câblage de la maison est en aluminium, assurez-vous d'utiliser un composé antioxydant et des connecteurs aluminium-cuivre homologués cUL.



- Utilisez des capuchons de connexion pour brancher le fil de mise à la terre au fil vert, le fil blanc au fil blanc et le fil noir au fil noir.
- Insérez les capuchons de connexion dans la boîte de jonction et refermez le couvercle. Assurez-vous que les fils ne sont pas coincés.

9 INSTALLATION DE LA GARNITURE DÉCORATIVE

Pour installer la garniture de conduit de 12 po seulement :

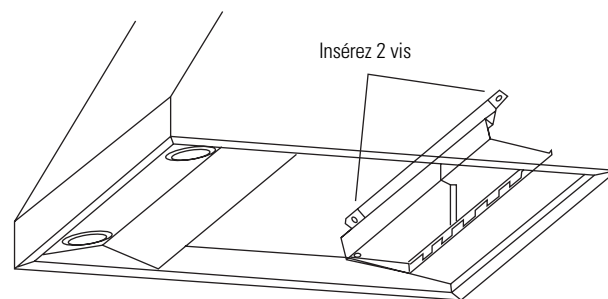
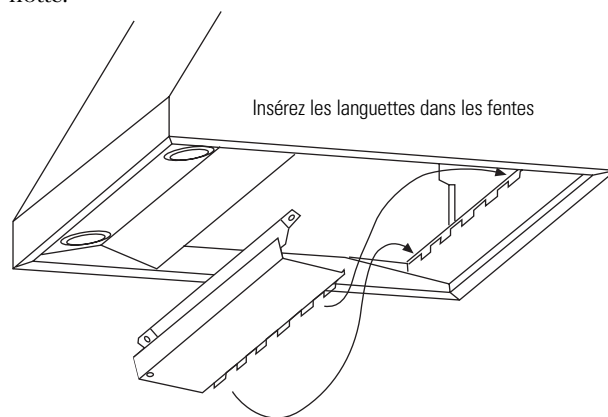
- Placez la section de 12 po de la garniture sur le haut de la hotte.
- Fixez la garniture de conduit à la partie supérieure de la hotte au moyen des 4 vis fournies.

Pour installer la garniture de conduit de 12 po seulement :

- Placez les deux sections de la garniture sur le haut de la hotte.
- Fixez la garniture inférieure à la partie supérieure de la hotte au moyen des 4 vis fournies. Consultez l'illustration de la page 16.
- Allongez la section intérieure vers le haut jusqu'au plafond et jusqu'au support de plafond.
- Fixez la garniture de conduit au support au moyen des deux petites vis Phillips fournies.

10 INSTALLATION DU SUPPORT DE FILTRE

- Inclinez le support de filtre en l'insérant dans la partie arrière de la hotte.
- Insérez les languettes dans les fentes de la partie arrière de la hotte.



- Fixez le support à la hotte au moyen des vis, comme le montre l'illustration.

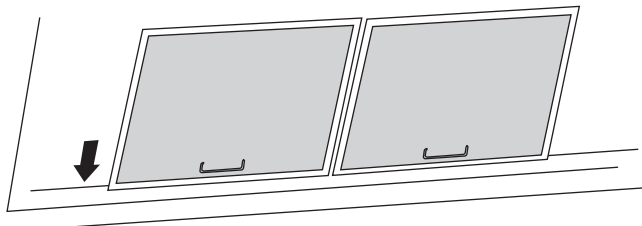
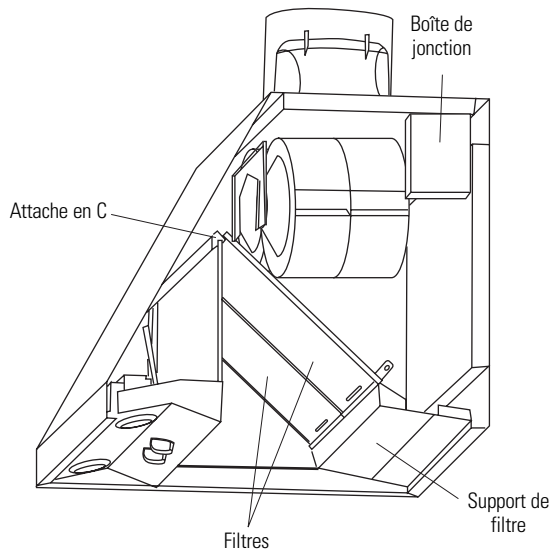
1 pi = 0,3 m

1 po = 2,5 cm

Instructions d'installation

11 INSTALLATION DES FILTRES

- Retirez la pellicule protectrice des filtres.
- Insérez le filtre dans les attaches en C de la partie supérieure du panneau vertical avant.
- Placez un côté du filtre de façon qu'il s'aligne avec l'ouverture extérieure.
- Enfoncez le filtre dans les fentes inférieures au bas du support de filtre.



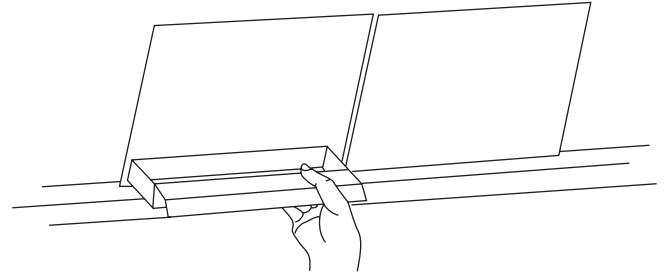
- Pour retirer les filtres, saisissez la languette du filtre et tirez cette dernière vers le haut, puis vers l'avant.

1 pi = 0,3 m

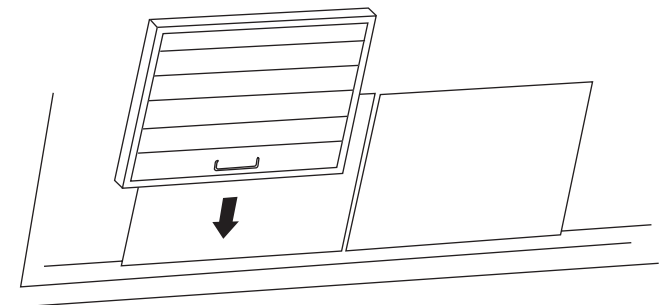
1 po = 2,5 cm

11A INSTALLATION FACULTATIVE DES FILTRES COMMERCIAUX

- Retirez les filtres d'origine (s'ils sont installés).

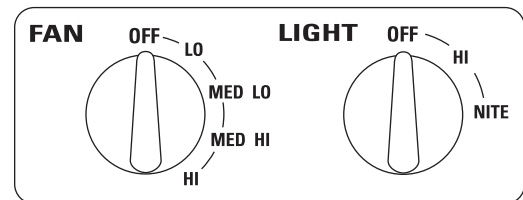


- Placez les plateaux d'égouttement dans la rainure horizontale du panneau de filtre derrière les filtres. La graisse des filtres s'écoule dans ces plateaux.
- Insérez le filtre dans les attaches en C de la partie supérieure du panneau vertical avant.



- Enfoncez le filtre dans les fentes inférieures au bas du support de filtre.

12 INSTALLATION DES BOUTONS DE COMMANDE



- Insérez les boutons de commande sur les tiges.

13 FIN DE L'INSTALLATION

- Reportez-vous à la section « Utilisation » pour faire l'essai de toutes les commandes.

Sécurité

Utilisation

Entretien et nettoyage

Dépannage

Service à la clientèle

Avant de contacter un service de dépannage...

Sécurité



Dépannage
Économisez du temps et de l'argent! Consultez le tableau ci-dessous pour éviter tout appel de service qui ne serait pas nécessaire.

Utilisation

Problème	Causes possibles	Solutions
Le ventilateur ne fonctionne pas lorsque la commande est activée	Un fusible peut être grillé ou le disjoncteur s'est déclenché.	<ul style="list-style-type: none">• Remplacez le fusible ou réenclenchez le disjoncteur.
	Le connecteur du ventilateur est lâche ou il n'est pas branché au connecteur correspondant.	<ul style="list-style-type: none">• Coupez l'alimentation. Retirez les filtres et inspectez le ventilateur. Si le connecteur du ventilateur est lâche ou que le connecteur semble mal installé, l'installateur a omis de le brancher correctement. Bien qu'il s'agisse d'un branchement à tâtons, il est facile à brancher. Consultez les <i>Instructions d'installation</i> dans le présent manuel pour connaître l'emplacement du branchement et comment raccorder le connecteur.
Le ventilateur ne fait pas circuler l'air ou il déplace l'air plus lentement que la normale	Les filtres sont très encrassés.	<ul style="list-style-type: none">• Retirez les filtres, nettoyez-les au besoin et remettez-les en place. Si le nettoyage et la remise en place des filtres ne règlent pas le problème, communiquez avec un atelier de service.

Entretien et nettoyage

Dépannage

Service à la clientèle

Please place in envelope and mail to:
Veuillez mettre dans une enveloppe et envoyez à :

**OWNERSHIP REGISTRATION
P.O. BOX 1780
MISSISSAUGA, ONTARIO
L4Y 4G1**

**(FOR CANADIAN CONSUMERS ONLY -
POUR RÉSIDENTS CANADIENS SEULEMENT)**



For Canadian
Customers



Pour les
consommateurs
canadiens

CUT ALONG THIS LINE AND RETURN CARD - THANKS
DÉCOUPEZ ICI ET ENVOYEZ LA FICHE - MERCI

OWNERSHIP REGISTRATION CERTIFICATE – FICHE D'INSCRIPTION DU PROPRIÉTAIRE

Please register your product to enable us to contact you in the remote event a safety notice is issued for this product and to allow for efficient communication under the terms of our warranty, should the need arise.

Veillez enregistrer votre produit afin de nous permettre de communiquer avec vous si jamais un avis de sécurité concernant ce produit était émis et de communiquer facilement avec vous en vertu de votre garantie, si le besoin s'en fait sentir.

REGISTER ON-LINE: ENREGISTREMENT SUR INTERNET À :		www.geappliances.ca		MAIL TO: POSTEZ À :	P.O. BOX 1780, MISSISSAUGA ONTARIO, L4Y 4G1
<input type="checkbox"/> MR. / M. <input type="checkbox"/> MISS/MLE	<input type="checkbox"/> MRS. / MME <input type="checkbox"/> MS.	FIRST NAME / PRÉNOM	LAST NAME / NOM		
STREET NO / N° RUE		STREET NAME / RUE			APT.NO/APP./RR#
CITY / VILLE			PROVINCE	POSTAL CODE/CODE POSTAL	
AREA CODE/ IND. RÉG.	TELEPHONE/TÉLÉPHONE	E-MAIL/COURRIEL			
DID YOU PURCHASE A SERVICE CONTRACT FOR THIS APPLIANCE? AVEZ-VOUS ACHETÉ UN CONTRAT DE SERVICE POUR CET APPAREIL ?			YES/OUI NO/NON	<input type="checkbox"/>	IF YES/SI OUI : EXPIRATION Y/A M DJ
NAME OF SELLING DEALER / NOM DU MARCHAND			MODEL / MODÈLE		
INSTALLATION DATE / DATE D'INSTALLATION Y/A M DJ		CORRESPONDENCE CORRESPONDANCE	<input type="checkbox"/> ENGLISH <input type="checkbox"/> FRANÇAIS	SERIAL / SÉRIE	
<input type="checkbox"/> I do not wish to receive any promotional offers regarding this product. Je ne désire pas recevoir d'offres promotionnelles concernant ce produit.					

Garantie



Toutes les réparations sous garantie sont effectuées par nos Centres de réparation ou par nos réparateurs agréés Customer Care®. Pour faire la demande d'une réparation en ligne, 24 heures sur 24, visitez le site www.electromenagersge.ca ou appelez le 1-800-561-3344.

Agrafez votre facture ici.
Une preuve de la date d'achat d'origine est nécessaire à l'obtention de services de réparation en vertu de la présente garantie.

Période de garantie : Mabe remplacera :

Un an
à compter de la date
d'achat d'origine

Toute pièce défectueuse de la hotte de cuisinière en raison d'un vice de matériau ou de fabrication.
Au cours de cette **garantie complète d'un an**, Mabe fournira également, **sans frais**, toute la main-d'œuvre pour la réparation ou le remplacement à domicile de la pièce défectueuse.

Ce que Mabe ne couvre pas :

- Toute visite à votre domicile pour vous expliquer le fonctionnement de l'appareil.
- L'installation, la livraison ou l'entretien inadéquats.
- Toute défectuosité du produit attribuable à une utilisation abusive ou inadéquate, s'il a été utilisé à toute autre fin que celle pour laquelle il a été conçu, ou s'il a été utilisé à des fins commerciales.
- Le remplacement des fusibles ou le réenclenchement du disjoncteur de votre domicile.
- Tout dommage au produit attribuable à un accident, un incendie, une inondation ou une catastrophe naturelle.
- Tout dommage accessoire ou indirect, causé par des défaillances possibles de l'appareil.
- Tout dommage causé après la livraison.

EXCLUSION DES GARANTIES IMPLICITES – *Votre seul et unique recours est de faire réparer le produit dans le cadre de cette garantie limitée. Toutes garanties implicites, dont celles de qualité marchande ou d'aptitude du produit pour une application particulière, sont limitées à un an ou à la période la plus courte autorisée par la loi.*

Cette garantie est offerte à l'acheteur initial, ainsi qu'à tout propriétaire subséquent d'un produit acheté en vue d'une utilisation domestique au Canada. Si le produit se situe dans une zone où un réparateur agréé Mabe n'est pas disponible, vous devrez peut-être assumer les frais de déplacement de celui-ci ou apporter le produit à un atelier de réparation agréé Mabe.

Dans certaines provinces, il est interdit d'exclure ou de limiter les dommages indirects ou accessoires. Il est alors possible que les limitations ou exclusions ci-dessus ne s'appliquent pas dans votre cas. La présente garantie vous confère des droits juridiques spécifiques. Vous pouvez bénéficier d'autres droits, qui varient d'une province à l'autre. Pour connaître les droits dont vous bénéficiez dans votre province, contactez le bureau des Relations avec les consommateurs de votre région ou de votre province.

Garant : Mabe Canada Inc. Burlington, Ontario

Sécurité

Utilisation

Entretien et nettoyage

Dépannage

Service à la clientèle

Service à la clientèle



Site Web des électroménagers GE

www.electromenagersge.ca

Vous avez une question ou besoin d'aide concernant votre appareil? Consultez le site Web des électroménagers GE accessible 24 heures sur 24, tous les jours de l'année! Pour un service pratique encore plus rapide, vous pouvez maintenant télécharger des manuels, commander des pièces ou même faire une demande de réparation en ligne.



Demande de réparation

www.electromenagersge.ca

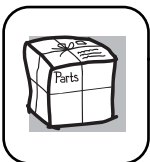
Pour bénéficier du service de réparation expert de Mabe, il suffit de téléphoner. Demandez une réparation en ligne, 24 heures sur 24, tous les jours! C'est pratique! Ou appelez le 1-800-461-3636 durant les heures normales de bureau.



Garanties prolongées

www.electromenagersge.ca

Procurez-vous une garantie prolongée GE et informez-vous au sujet des rabais spéciaux offerts tout au long de la durée de votre garantie. Vous pouvez vous la procurer en ligne en tout temps ou en téléphonant au 1-888-261-2133 durant les heures normales de bureau. Les services à domicile Mabe seront toujours disponibles après expiration de votre garantie.



Pièces et accessoires

www.electromenagersge.ca

Les personnes ayant les compétences requises pour réparer elles-mêmes leurs appareils peuvent directement recevoir des pièces ou accessoires à domicile (les cartes VISA, MasterCard et Discover sont acceptées). Commandez en ligne dès aujourd'hui, 24 heures sur 24, ou en téléphonant au 1-800-661-1616 durant les heures normales de bureau.

Les instructions contenues dans le présent manuel comportent des procédures que tout utilisateur peut effectuer. Les autres types de réparation doivent généralement être confiés à un technicien qualifié. Utilisez de prudence : une réparation ou un entretien mal effectués peuvent rendre l'utilisation de l'appareil dangereuse.



Communiquez avec nous

www.electromenagersge.ca

Si vous n'êtes pas satisfait du service après-vente de Mabe, communiquez avec nous sur notre site Web en fournissant tous les détails et votre numéro de téléphone, ou écrivez à :

General Manager, Consumer Relations,
Mabe Canada Inc.
Suite 310, 1 Factory Lane
Moncton, N.-B. E1C 9M3



Enregistrez votre appareil

www.electromenagersge.ca

Enregistrez votre nouvel appareil en ligne – au moment qui vous convient le mieux! L'enregistrement de votre produit dans les délais prescrits permet une meilleure communication et un service rapide, selon les modalités de votre garantie, si besoin est. Vous pouvez également envoyer par courrier la carte d'enregistrement pré-imprimée qui se trouve dans l'emballage de votre appareil.