



C A F É

DISTINCT BY DESIGN

Owner's Manual





DISTINCT BY DESIGN™

Owner's Manual and Installation Instructions

Bottom Freezer Refrigerators

Models CVE and CQE

Contents

Safety Information	3	Troubleshooting	41
Using the Refrigerator		Normal Operating Conditions	41
Features	6	Troubleshooting Tips	42
Controls	9	Truth or Myth	44
Dispenser	12	Limited Warranty	46
AutoFill	12	Consumer Support	
WiFi	13	XWF Water Filter Cartridge	
Demand Response	14	Limited Warranty	47
Water Filter	15	Performance Data Sheet	48
Refrigerator Storage	16	Consumer Support	50
Automatic Ice maker	21		
Care And Cleaning	22		
Replacing the Lights	23		
Installation Instructions			
Preparing to Install the Refrigerator	24		
Installing the Refrigerator	28		
Installing the Water Line	38		

Write the model and serial numbers here:

Model # _____

Serial # _____

Find these numbers on a label on the left side, near the middle of the refrigerator compartment.

ENGLISH/FRANÇAIS/ESPAÑOL

THANK YOU FOR MAKING CAFÉ A PART OF YOUR HOME.

We take pride in the craftsmanship, innovation and design that goes into every Café product, and we think you will too. Among other things, registration of your appliance ensures that we can deliver important product information and warranty details when you need them.

Register your Café appliance now online. Helpful websites are available in the Consumer Support section of this Owner's Manual. You may also mail in the pre-printed registration card included in the packing material.

C A F É

DISTINCT BY DESIGN™

IMPORTANT SAFETY INFORMATION

READ ALL INSTRUCTIONS BEFORE USING THE APPLIANCE

▲ WARNING To reduce the risk of fire, explosion, electric shock, or injury when using your refrigerator, follow these basic safety precautions:

- This refrigerator must be properly installed and located in accordance with the Installation Instructions before it is used.
- Unplug the refrigerator before making repairs or cleaning.
NOTE: Power to the refrigerator cannot be disconnected by any setting on the control panel.
NOTE: Repairs must be performed by a qualified Service Professional.
- Replace all parts and panels before operating.
- Do not use an extension cord.
- Keep flammable materials and vapors away from the refrigerator.
- Do not store explosive substances such as aerosol cans with a flammable propellant in this appliance.
- To prevent suffocation and entrapment hazards to children, remove the refrigerator and freezer doors from any refrigerator before disposing of it or discontinuing its use.
- To avoid serious injury or death, children should not stand on, or play in or with the appliance.
- Children and persons with reduced physical, sensory or mental capabilities or lack of experience and knowledge can use this appliance only if they are supervised or have been given instructions on safe use and understand the hazards involved.
- This appliance is intended to be used in household and similar applications such as: staff kitchen areas in shops, offices and other working environments; farm houses; by clients in hotels, motels, bed & breakfast and other residential environments; catering and similar non-retail applications.
- Connect to potable water supply only. A cold water supply is required for automatic icemaker operation. The water pressure must be between 40 and 120 psi (275-827 kilopascals).
- Do not apply harsh cleaners to the refrigerator. Certain cleaners will damage plastic which may cause parts such as the door or door handles to detach unexpectedly. See the Care and Cleaning section in your Owner's Manual for detailed instructions.

▲ CAUTION To reduce the risk of injury when using your refrigerator, follow these basic safety precautions.

- Do not clean glass shelves or covers with warm water when they are cold. Glass shelves and covers may break if exposed to sudden temperature changes or impact, such as bumping or dropping. Tempered glass is designed to shatter into many small pieces if it breaks.
- Keep fingers out of the "pinch point" areas; clearances between the doors and between the doors and cabinet are necessarily small. Be careful closing doors when children are in the area.
- Do not touch the cold surfaces in the freezer compartment when hands are damp or wet, skin may stick to these extremely cold surfaces.
- Do not refreeze frozen foods which have thawed completely.
- In refrigerators with automatic icemakers, avoid contact with the moving parts of the ejector mechanism, or with the heating element that releases the cubes. Do not place fingers or hands on the automatic ice making mechanism while the refrigerator is plugged in.

▲ WARNING FIRE OR EXPLOSION HAZARD

Keep flammable materials and vapors away from refrigerator. Failure to do so can result in fire, explosion, or death.

READ AND SAVE THESE INSTRUCTIONS

IMPORTANT SAFETY INFORMATION

READ ALL INSTRUCTIONS BEFORE USING THE APPLIANCE

⚠ WARNING FIRE OR EXPLOSION HAZARD Flammable Refrigerant

This appliance contains isobutane refrigerant, also known as R600a, a natural gas with high environmental compatibility. However, it is also combustible. Adhere to the warnings below to reduce the risk of injury or property damage.

1. When handling, installing and operating the appliance, care should be taken to avoid damage to the refrigerant tubing.
2. Service shall only be performed by authorized service personnel. Use only manufacturer-authorized service parts.
3. Dispose of refrigerator in accordance with Federal and Local Regulations. Flammable refrigerant and insulation material used require special disposal procedures. Contact your local authorities for the environmentally safe disposal of your refrigerator.
4. Keep ventilation openings in the appliance enclosures or in the built-in structure clear of obstruction.
5. To remove frost, scrape with a plastic or wood spatula or scraper. Do not use an ice pick, metal, or sharp-edged instrument as it may puncture the freezer liner and then the flammable refrigerant tubing behind it.
6. Do not use electrical appliances inside the food storage compartment of the appliance.
7. Do not use any electrical device in defrosting your freezer.

CONNECTING ELECTRICITY

⚠ WARNING ELECTRICAL SHOCK HAZARD

Plug into a grounded 3-prong outlet

Do not remove the ground prong

Do not use an adapter

Do not use an extension cord.

Failure to follow these instructions can result in death, fire, or electrical shock.

Do not, under any circumstances, cut or remove the third (ground) prong from the power cord. For personal safety, this appliance must be properly grounded.

The power cord of this appliance is equipped with a 3-prong (grounding) plug which mates with a standard 3-prong (grounding) wall outlet to minimize the possibility of electric shock hazard from this appliance.

Have the wall outlet and circuit checked by a qualified electrician to make sure the outlet is properly grounded.

Where a standard 2-prong wall outlet is encountered, it is your personal responsibility and obligation to have it replaced with a properly grounded 3-prong wall outlet. Do not use an adapter.

The refrigerator should always be plugged into its own individual electrical outlet which has a voltage rating that matches the rating plate.

A 115 Volt AC, 60 Hz, 15- or 20-amp fused, grounded electrical supply is required. This provides the best performance and also prevents overloading house wiring circuits which could cause a fire hazard from overheated wires.

Never unplug your refrigerator by pulling on the power cord. Always grip plug firmly and pull straight out from the outlet.

Immediately discontinue use of a damaged supply cord. If the supply cord is damaged, it must be replaced by a qualified service professional with an authorized service part from the manufacturer.

When moving the refrigerator away from the wall, be careful not to roll over or damage the power cord.

READ AND SAVE THESE INSTRUCTIONS

IMPORTANT SAFETY INFORMATION

READ ALL INSTRUCTIONS BEFORE USING THE APPLIANCE

PROPER DISPOSAL OF YOUR OLD REFRIGERATOR

⚠ DANGER SUFFOCATION AND ENTRAPMENT HAZARD

Failure to follow these disposal instructions can result in death or serious injury

IMPORTANT: Child entrapment and suffocation are not problems of the past. Junked or abandoned refrigerators are still dangerous even if they will sit for “just a few days.” If you are getting rid of your old refrigerator, please follow the instructions below to help prevent accidents.

Before You Throw Away Your Old Appliance

- Take off the refrigerator and freezer doors.
- Leave the shelves in place so that children may not easily climb inside.

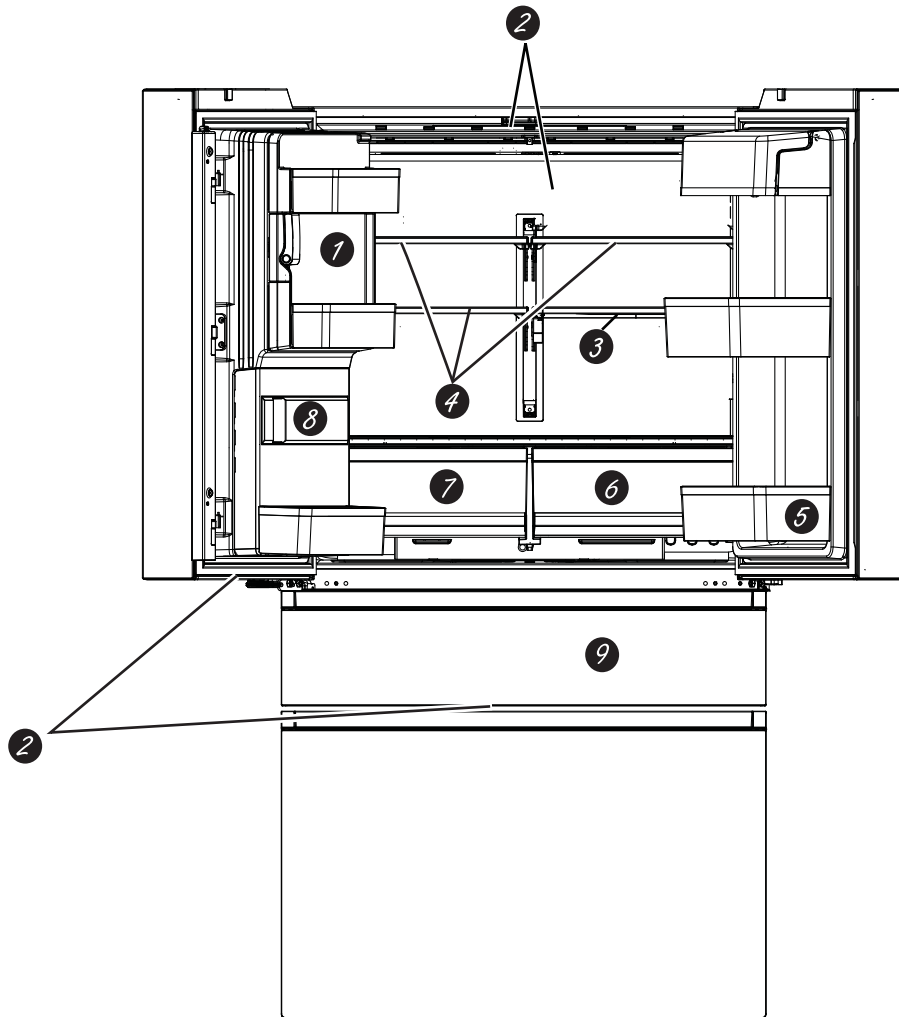
Refrigerant and Foam Disposal:

Dispose of appliance in accordance with Federal and Local Regulations. Flammable refrigerant and insulation material used requires special disposal procedures. Contact your local authorities for the environmentally safe disposal of your refrigerator.

READ AND SAVE THESE INSTRUCTIONS

Features

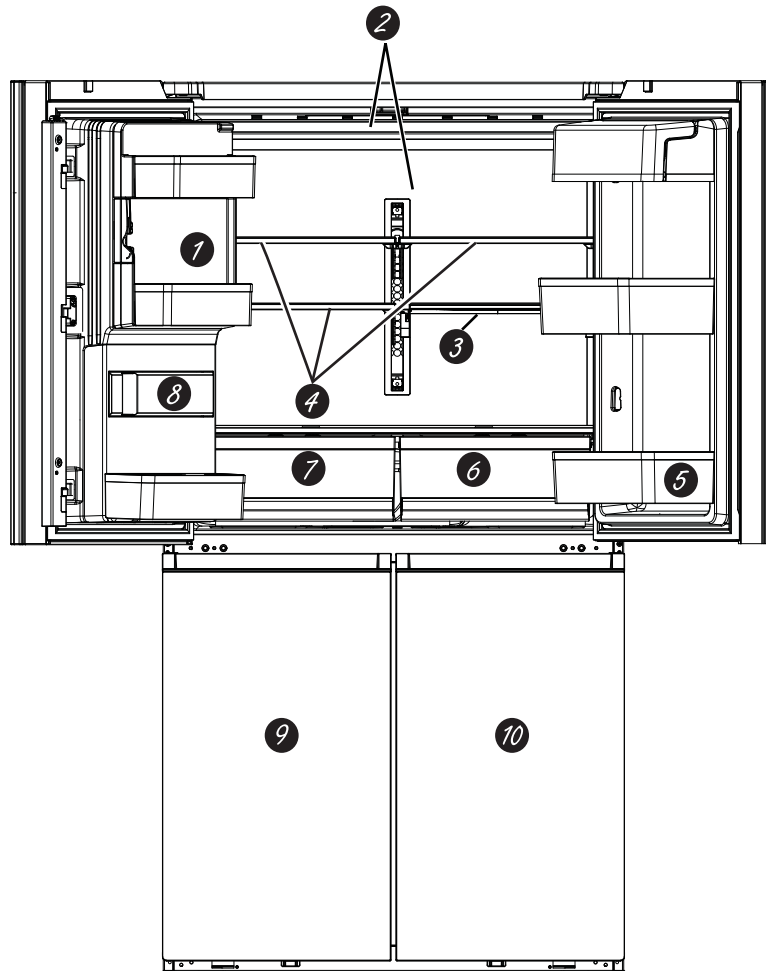
Model CVE



- 1 Space-saving ice maker**
Ice maker and bin are located on the door creating more usable storage space.
- 2 Showcase LED lighting**
LED lighting is positioned throughout the interior to spotlight areas in the refrigerator. LEDs are located under the fresh food door to light the convertible drawer, and LEDs are under the convertible drawer to light the freezer drawer.
- 3 QuickSpace™ shelf**
Functions as a normal full-sized shelf when needed and easily slides back to store tall items below.
- 4 Spillproof shelves**
Designed to capture your spills for easier clean up.
- 5 Removable door bin**
Can be removed for those with a wall limiting the door opening.
- 6 HCS (Humidity Control System)**
Sealed HCS bin prolongs produce preservation by maintaining humidity in the bin.
- 7 Vented Bin**
Vented bin for storing fruits and vegetables.
- 8 Water filter**
Filters water and ice.
- 9 Convertible drawer**
Select the best temperature to store your food.

Features

Model CQE



1 Space-saving ice maker

Ice maker and bin are located on the door creating more usable storage space.

2 Showcase LED lighting

LED lighting is positioned throughout the interior to spotlight areas in the refrigerator.

3 QuickSpace™ shelf

Functions as a normal full-sized shelf when needed and easily slides back to store tall items below.

4 Spillproof shelves

Designed to capture your spills for easier clean up.

5 Removable door bin

Can be removed for those with a wall limiting the door opening.

6 HCS (Humidity Control System)

Sealed HCS bin prolongs produce preservation by maintaining humidity in the bin.

7 Vented Bin

Vented bin for storing fruits and vegetables.

8 Water filter

Filters water and ice.

9 Freezer

Compartment for storing your frozen food. The middle and bottom door bins tilt-out for easy access.

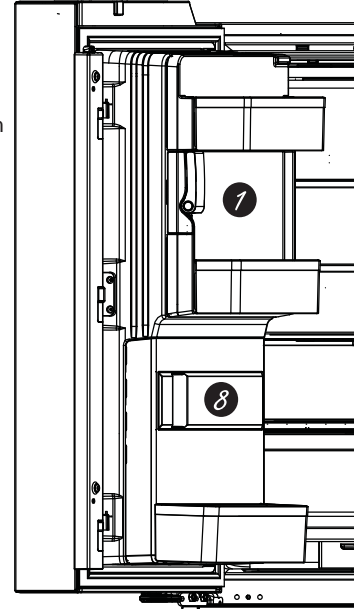
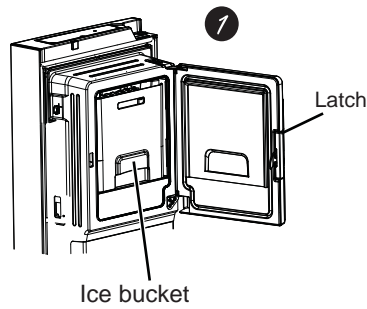
10 Convertible Zone

Compartment that can store frozen food, fresh food, or wine.

Features

Door ice bin

1. Open left refrigerator door.
2. Pull down latch to release bin door.
3. Using handhold lift ice bucket up and out to clear locators in bottom of bin.
4. To replace the ice bucket, set it on the guide brackets and push until the ice bucket seats properly.
5. If bucket cannot be replaced, rotate the Ice Bucket Fork 1/4 turn clockwise.

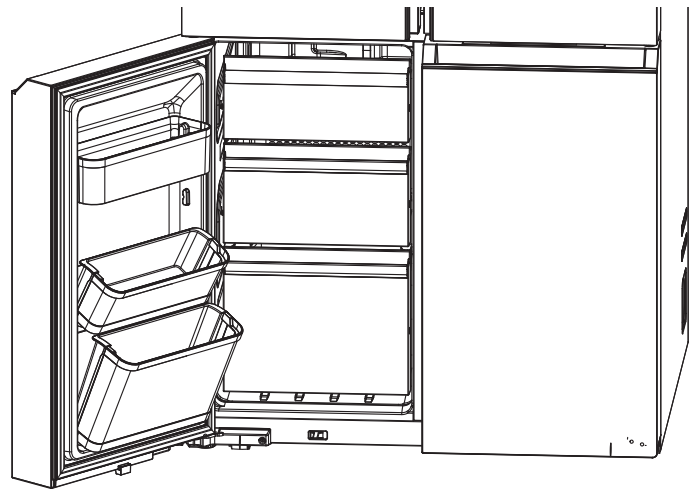


Ice/water filter

Certified to reduce chlorine-resistant cysts, lead, select pharmaceuticals, and more. For easy filter replacement instructions see page 10.

Freezer door bin

Middle and bottom bins on the freezer door can be tilted out for easy access.

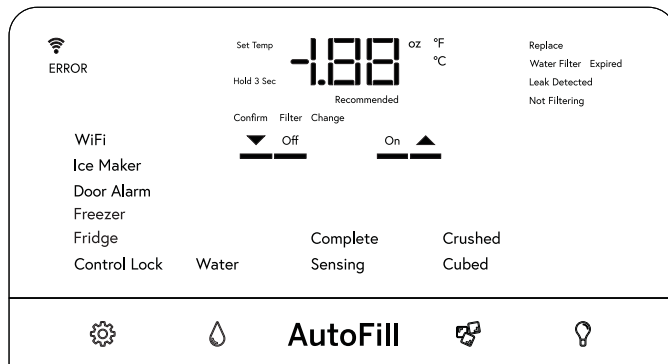


Controls

All Models

We are continuously updating our software. Please reference the full owner's manual online for the latest functionality at cafeappliances.com. In Canada, visit cafeappliances.ca.

The recommended temperature settings, preset from the factory, are 37°F (3°C) for the refrigerator and 0°F (-18°C) for the freezer.



NOTE: The refrigerator is shipped with protective film covering the temperature controls. If this film was not removed during installation, remove it now.

The temperature controls are preset in the factory at 37°F (3°C) for the refrigerator compartment and 0°F (-18°C) for the freezer compartment. Allow 24 hours for the temperature to stabilize to the preset recommended settings.

To Change the Refrigerator Temperature:

Press the **Settings** button (⚙️) until “Fridge” is highlighted. Press the Up or Down arrow buttons to increase or decrease temperature settings.

To Change the Freezer Temperature:

Press the Settings button (⚙️) until “Freezer” is highlighted. Press the Up or Down arrow buttons to increase or decrease temperature settings.

The cooling system can be turned off by pressing the Settings button (⚙️) until either “Fridge” or “Freezer” is highlighted. Press and hold both the Up and Down arrow buttons for 3 seconds. “- -” will be displayed when the system is off. Turning the cooling system off stops the cooling to the refrigerator, but it does not shut off the electrical power. The cooling system can be turned on by returning to the “Fridge” or “Freezer” setting and pressing the On button.

Control Settings

Settings (⚙️) - Press the Settings symbol (⚙️) to scroll through the refrigerator functions.

- Control Lock - Press ON to lock out ice and water dispenser and all feature and temperature buttons. Press and hold OFF for 3 seconds to deactivate.
- Fridge - Press Up or Down button to increase or decrease temperature from 34°F (1°C) to 42°F (6°C).

- Freezer - Press Up or Down button to increase or decrease temperature from -6°F (-21°C) to 5°F (-15°C).
- Door Alarm - Sounds an alert when the freezer or refrigerator doors have been left open. Snooze the alert by pressing any key. Press On or Off to activate or deactivate Door Alarm while an alert is not active.
- Icemaker - Press On or Off to start/stop Icemaker.
- WiFi - Press **On** to start the WiFi connection process per the instructions on Page 13. Press **Off** to disable WiFi. Note that restarting WiFi requires repeating the WiFi connection process.

Water (💧) - Press to select Ice or Water to dispense when the paddle is pressed.

AutoFill - Press to initiate automatic sensing to fill from dispenser.

Ice (🧊) - Press to select crushed or cubed ice when the paddle is pressed.

Light (💡) - Press to illuminate dispenser. Chime will accompany each press.

Fahrenheit / Celsius:

Temperature display can be switched between Fahrenheit and Celsius. Press Settings button (⚙️) to navigate to “Fridge” or “Freezer”, then press and hold the Ice button and Light button for three seconds.

Volume Control:

Alert volume can be adjusted from High to Low and Off. Press Settings button (⚙️) to navigate to “Icemaker”, then press and hold the Ice button and Light button for three seconds.

Sabbath Mode:

Simultaneously hold the Settings (⚙️), Water, and Light buttons for three seconds to enter and exit Sabbath mode. Display will show “SA” and mode will automatically exit after 3 days.

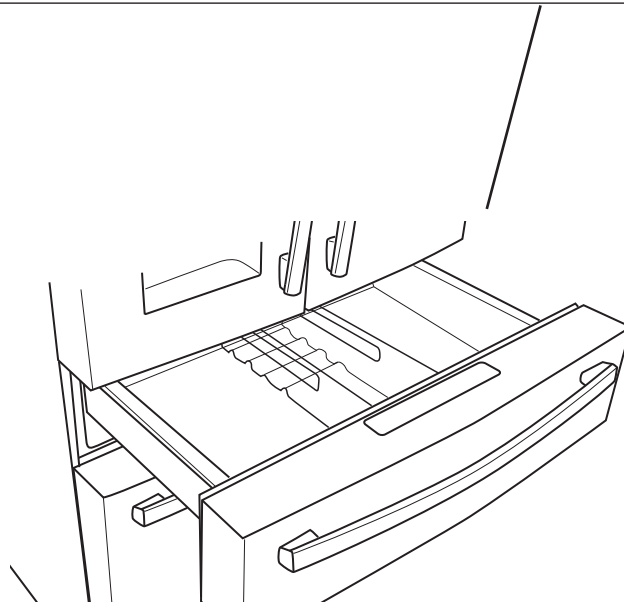
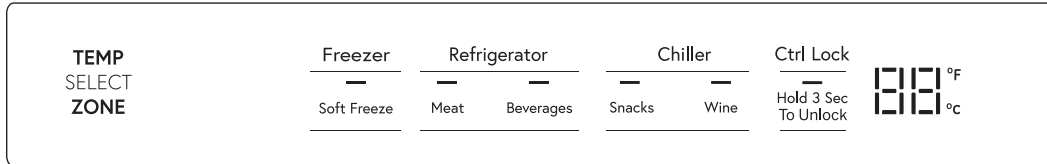
Controls

Model CVE Convertible Drawer

Temperature in the Convertible Drawer is selected by pressing the food item to be kept in the drawer.

- Soft Freeze 23°F (-5°C)
- Meat 29°F (-2°C)
- Beverages 33°F (1°C)
- Snacks 37°F (3°C)
- Wine 42°F (6°C)

The temperature setting is locked by default. Button must be pressed for 3 seconds to unlock.



Controls

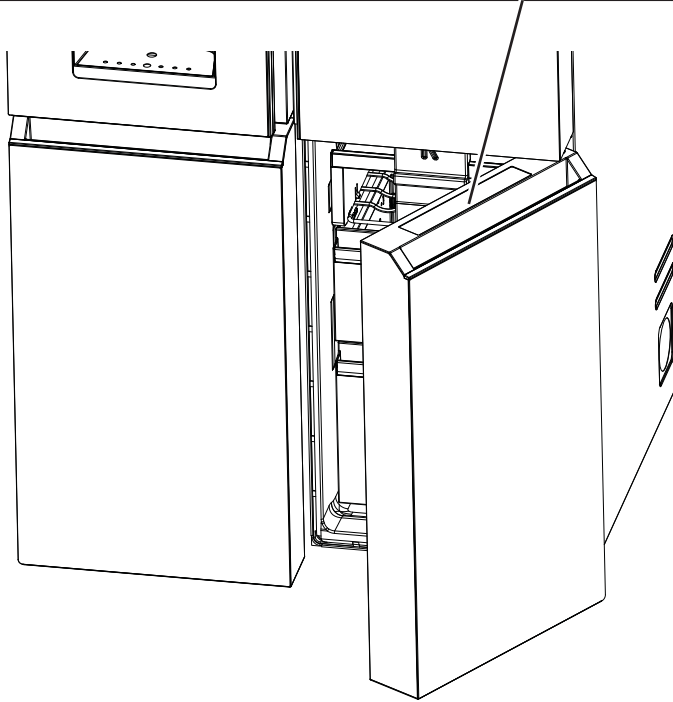
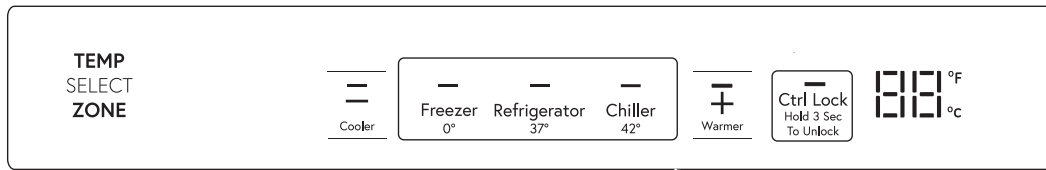
Model CQE Convertible Zone

The Convertible Zone control panel is in the top of the lower right-hand door. Select the desired temperature for the compartment.

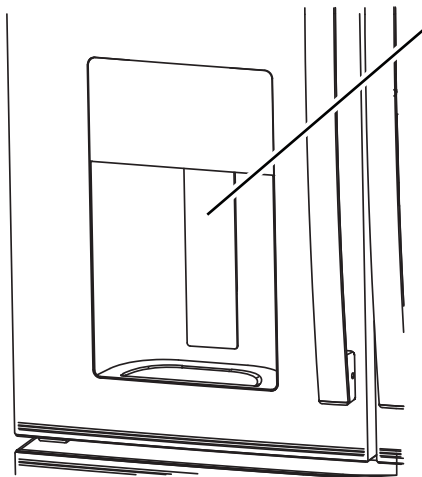
- Freezer 0°F (-18°C)
- Refrigerator 37°F (3°C)
- Chiller 42°F (6°C)

The temperature setting is locked by default. Button must be pressed for 3 seconds to unlock.

The Warmer (+) and Cooler (-) buttons can be used to adjust the temperature of each setting.



Dispenser



Water & Ice Dispenser
(See About the controls with temperature settings & About the control features)

▲ WARNING Laceration Hazard

- Never put fingers or any other object into ice crusher discharge opening. Doing so can result in contacting the ice crushing blades and lead to serious injury or amputation
- Use a sturdy glass when dispensing ice. A delicate glass may break and result in personal injury.

If no water is dispensed when the refrigerator is first installed, there may be air in the water line system. Press the dispenser paddle for at least five minutes to remove trapped air from the water line and to fill the water system. To flush out impurities in the water line, throw away the first six full glasses of water.

Important Facts About Your Dispenser

- Do not add ice from trays or bags to the door icemaker bucket. It may not crush or dispense.
- Avoid overfilling glass with ice and use of narrow glasses. Backed-up ice can jam the chute or cause the door in the chute to freeze shut. If ice is blocking the chute remove the ice bucket, poke it through with a wooden spoon.
- Beverages and foods should not be quick-chilled in the door icemaker bin. Cans, bottles or food packages in the storage drawer may cause the icemaker or auger to jam.
- To keep dispensed ice from missing the glass, put the glass close to, but not touching, the dispenser opening.
- Some crushed ice may be dispensed even though you selected **CUBED**. This happens occasionally when a few cubes accidentally get directed to the crusher.
- After crushed ice is dispensed, some water may drip from the chute.
- Sometimes a small mound of snow will form on the door in the ice chute. This condition is normal and usually occurs when you have dispensed crushed ice repeatedly. The snow will eventually evaporate.

AutoFill

To Use HANDS FREE AutoFill:

- Center container on Recess Dispenser Tray as far back as possible without activating paddle and remove hand from container
- Press **AutoFill**.

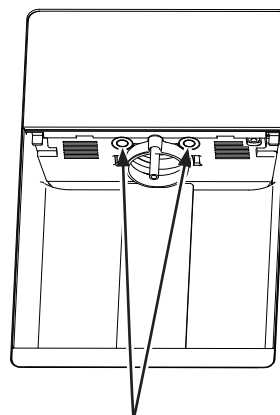
To Stop AutoFill

- Press ANY key, including **AutoFill**, to stop.

Important Facts about AutoFill

- For optimum results, use a uniform container between 4-8" (10-20 cm) tall and 2-6" (5-15 cm) wide.
- Fill level and functionality may vary on containers taller than 8" (20 cm) or wider than 6" (15 cm).
- Container volumes may vary. If "ERROR" message is given, try a different container.
- AutoFill will time out.
- Handles, straws, and garnishes on the rim of the container may cause overflowing or variation in fill volumes.
- Splashing may occur depending on the location of the container, water flow rate, container shape, and ice cubes.

- Keep sensors clean with a clean damp cloth, and do not spray liquid or cleaners directly on sensors
- AutoFill works best with household water pressure of 60 to 100 psi (414 to 689 kPa).
- Ice in container may affect fill volume. If issues are experienced, use less ice.



AutoFill Sensors

WiFi (for customers in the United States, its territories, and Canada)

- Download the **Café Appliances** app.
 - Available for iPhone from the Apple Store or from link at **GEAppliances.com**.
 - Available for Android from Google Play or from link at **GEAppliances.com**.
- Select **Create Account** on app.
 - Enter information, and select **Register**. An e-mail will be generated.
 - When you receive the e-mail, select **Verify Account**.
 - Sign in with your credentials and select **Authorize** to allow the app to communicate with your refrigerator.
- Set up the app.
 - Press the (+) on the bottom of the screen.
 - Choose **Fridge** (Cap Touch).
 - The info button will show a picture of the touch display on the appliance. Select **OK**.
 - Select **Next**.
- Select WiFi on the refrigerator display by pressing the **Settings symbol**.
 - Select **On**, the WiFi symbol will flash every second.
 - Select **Next** in the app.
- Find the password inside the refrigerator door on the “Connected Appliance Information” label.
 - Enter the password into the app.
- Connect to the refrigerator’s WiFi Module in the phone’s WiFi settings, then return back to the Kitchen App and select **Next**.
 - The WiFi will have the format “GE_MODULE_XXXX”. The module number can also be found on the Connected Appliance Information label inside the fridge door.
 - Connect to the home WiFi network and type in the home WiFi password.
 - If all check marks appear and the user gets a screen that says the device is connected, the device has been successfully connected.
 - If the app fails to connect, the user will also show an error on the refrigerator’s display where the LED will either be flashing or solid.
Select correct LED mode on the “Oops! Something Went Wrong” screen. The user will be given possible reasons why connection failed and the option to retry.

SOFTWARE UPDATES

One of the features of the Kitchen App is the ability to accept refrigerator software updates. When the user accepts the updates, refrigerator lights will appear to turn off, and all features are not be available during the update. This is normal behavior during software updates. Users are encouraged to check the refrigerator settings after an software update.

REGULATORY INFORMATION

FCC/IC Compliance Statement:

This device complies with Part 15 of the FCC Rules. Operation is subject to the following two conditions:

1. This device may not cause harmful interference, and
2. This device must accept any interference received, including interference that may cause undesired operation.

This equipment has been tested and found to comply with the limits for a Class B digital device, pursuant to Part 15 of the FCC Rules. These limits are designed to provide reasonable protection against harmful interference in a residential installation. This equipment generates uses and can radiate radio frequency energy and, if not installed and used in accordance with the instructions, may cause harmful interference to radio communications. However, there is no guarantee that interference will not occur in a particular installation. If this equipment does cause harmful interference to radio or television reception, which can be determined by turning the equipment off and on, the user is encouraged to try to correct the interference by one or more of the following measures:

- Reorient or relocate the receiving antenna.
- Increase the separation between the equipment and receiver.
- Connect the equipment into an outlet on a circuit different from that to which the receiver is connected.
- Consult the dealer or an experienced radio/television technician for help.

Labelling: Changes or modifications to this unit not expressly approved by the manufacturer could void the user’s authority to operate the equipment.

Demand Response (some models)

What is Demand Response?

Some utilities vary their electricity rates based on the time of day. Some utilities offer Demand Response programs to reduce energy usage during certain times of the day. Some utilities may do both things. This refrigerator has a Demand Response feature to help control energy usage.

Using Demand Response without a Utility Program

The Demand Response feature allows the user to shift high energy features, like defrost, for a 4-hour window. This window corresponds to the average peak energy usage. This feature is enabled or disabled with the Café Appliances app and requires the Café Appliances app to operate. It does not depend on the local utility, or whether it varies the electricity rates.

Demand Response with your Utility

If your utility has a compatible Demand Response program, and you are signed up with the utility, this refrigerator can modify its energy usage based on commands received from the utility. The Café Appliances app can be used to override the Demand Response program, if desired. Please note that there are many different Demand Response programs, and many are not compatible with kitchen appliances. Please check with your local utility.

The demand response level is displayed in the mobile app. Delay appliance load mode (DAL) reduces power consumption by delaying defrost and ice production for 4 hours. Temporary appliance load reduction (TALR) reduces the power consumption by delaying defrost, ice production, and stopping cooling for 10 minutes.

Estimated energy consumption in Watt-hour(Wh) is reported in the mobile app.

Installing Demand Response

Install the Café Appliances app per the instructions on the previous page. Select the Demand Response page, and choose from the available Demand Response options. The app provides more information on the operation of each Demand Response option.

Demand Response Communication Protocols

This refrigerator uses the following IETF open standard protocols for the WiFi communication. Consult the online user manual for the latest protocol updates:

- XMPP <https://tools.ietf.org/html/rfc6120>
- TLS <https://tools.ietf.org/html/rfc5246>

GEA API for demand response:

- Write demand respond status (Inactive, DAL, and TALR)
- Get demand response status (Inactive, DAL, TALR, or Delay Defrost)
- Get estimated energy consumption in Watt-hour.
- Get event for "Door Open"
- Get event for "High temperature alert"
- Write demand response (DAL or TALR) start time and duration time period.
- Get demand response (DAL or TALR) start time and duration time period.
- Delete demand response (DAL or TALR) schedule.

XWF Water Filter

Water Filter Cartridge

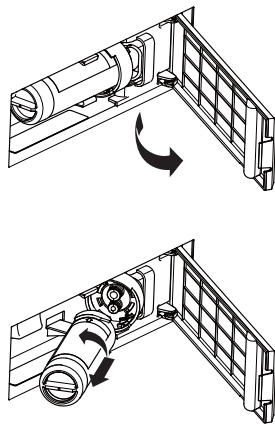
The water filter cartridge is located in the left-hand refrigerator door behind the rectangular access panel.

When to Replace the Filter Cartridge

The **Replace Water Filter** message on the control panel will illuminate when the water filter cartridge needs to be replaced soon. The **Water Filter Expired** message will illuminate when the water filter cartridge needs to be replaced. The water filter can be replaced earlier if the flow of water to the dispenser or icemaker decreases. Once either message is illuminated, dispensing water will show **Confirm Filter Change**; do not confirm until the water filter is replaced

REMOVING THE FILTER

If you are replacing the filter, first remove the previous one by gently grasping the filter and slowly turning it to the left, about a ¼ turn. The filter should automatically release itself when you have rotated it far enough to the left. A small amount of water may drip down.



⚠ CAUTION

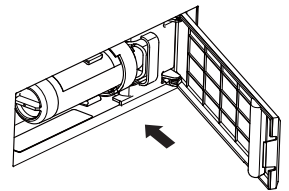
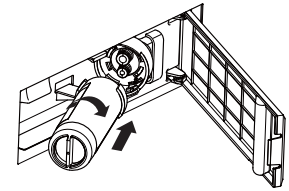
If air has been trapped in the system, the filter cartridge may be ejected as it is removed. Use caution when removing.

FILTER BYPASS PLUG

To reduce the risk of property damage due to water leakage, you **MUST** use the filter bypass plug when a replacement filter cartridge is not available. Some models do not come equipped with the filter bypass plug. To obtain a free bypass plug, visit cafeappliances.com. The dispenser and icemaker will not operate without either the filter or bypass plug installed. The bypass plug is installed in the same way as a filter cartridge.

INSTALLING THE FILTER IN A BOTTOM FREEZER REFRIGERATOR

1. Open the filter cartridge housing by pulling the door open.
2. Line up the ports on the filter with the ports on the filter cartridge holder, and gently insert the filter.
3. Slowly turn the filter to the right until it stops. **DO NOT OVERTIGHTEN**. As you turn the filter, it will automatically adjust itself into position. The filter will move about a ¼ turn or 90 degrees, until the filter cannot be turned, and the label faces outward.
4. Slowly push the filter up into the clips.
5. Close the filter cartridge housing by gently pushing the door closed until the tabs lock into place.
6. Run water from the dispenser for 2 gallons or approximately 5 minutes to clear the system. Water may spurt out and air bubbles may be visible during this process. If water is not flowing, check to make sure the filter has been fully rotated to the right.
7. When dispensing water, press the button underneath the **Confirm Filter Change** message. If replacing the water filter before the message appeared, press the Settings (⚙) button until "Icemaker" is highlighted, then hold down the Water and Ice buttons simultaneously for 3 seconds.



Application Guidelines/Water Supply

Service Flow	0.5 gpm (1.89 lpm)
Water Supply	Potable Water
Water Pressure	25-120 psi (172-827 kPa)
Water Temperature	33°F-100°F (0.6°C-38°C)
Capacity	170 gallons (643.5 liters)

Sign-up for **TEXT REMINDERS** by texting **REPLACE** to 70543.

⚠ WARNING

To reduce the risk associated with choking, do not allow children under 3 years of age to have access to small parts during the installation of this product. The disposable filter cartridge should be replaced every 6 months at the rated capacity, or sooner if a noticeable reduction in flow rate occurs.

For the maximum benefit of your filtration system, Café Appliances recommends the use of GE Appliances-branded filters only. Using GE Appliances-branded filters in Café refrigerators provides optimal performance and reliability. GE Appliances filters meet rigorous industry NSF standards for safety and quality that are important for products that are filtering your water. Café Appliances has not qualified non-GE Appliances-branded filters for use in Café refrigerators and there is no assurance that non-GE Appliances-branded filters meet Café standards for quality, performance and reliability.

If you have questions, or to order additional filter cartridges, visit our website at gewaterfilters.com. Customers in Canada should consult the yellow pages for the nearest Camco Service Center.

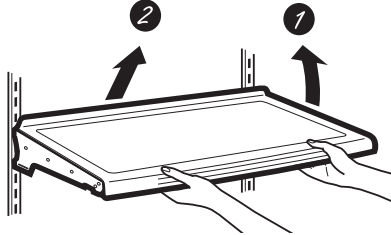
Refrigerator Storage Options

Rearranging the Shelves

Shelves in the refrigerator compartment are adjustable.

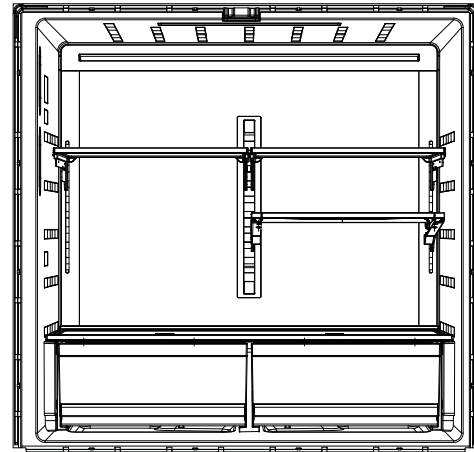
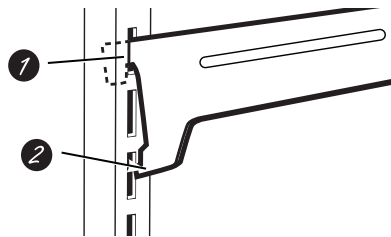
To remove:

- 1 Remove all items from the shelf.
- 2 Tilt the shelf up at the front.
- 3 Lift the shelf up at the back and bring the shelf out.



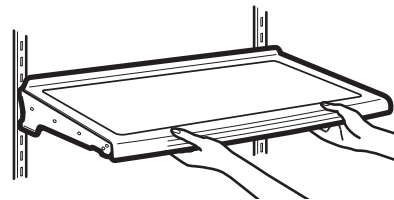
To replace:

- 1 While tilting the shelf up, insert the top hook at the back of the shelf in a slot on the track.
- 2 Lower the front of the shelf until the bottom of the shelf locks into place.



Spillproof Shelves

Spillproof shelves have special edges to help prevent spills from dripping to lower shelves.

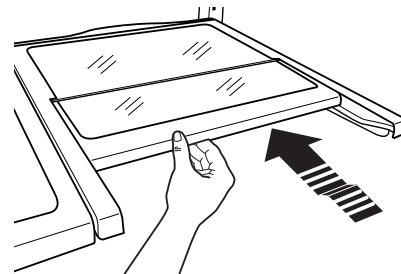


Quick Space Shelf

This shelf splits in half and slides under itself for storage of tall items on the shelf below.

This shelf can be removed and replaced or relocated (just like spillproof shelves).

NOTE: The back half of the Quick Space Shelf is not adjustable.

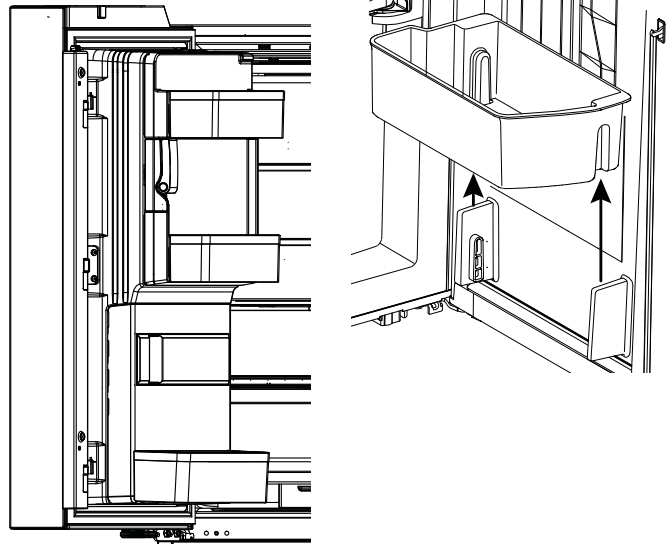


Refrigerator Storage Options

Door Bins

Fixed bins can easily be carried from refrigerator to work area.

To remove: Lift bin straight up, then pull out. The door bins are not interchangeable, note the location upon removal and replace the bin in its proper location.

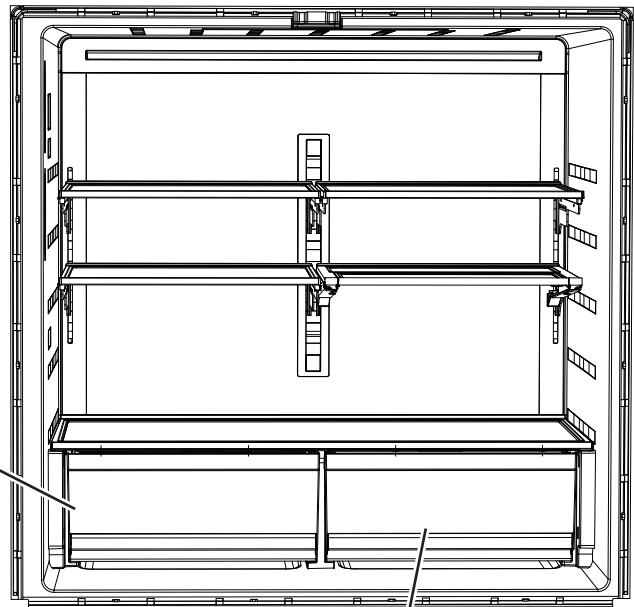


Climate Zone Bins

Keep fruits and vegetables organized in separate compartments for easy access.

Excess water that may accumulate in the bottom of the drawers or under the drawers should be wiped dry.

Vented bin for storing fruits and vegetables



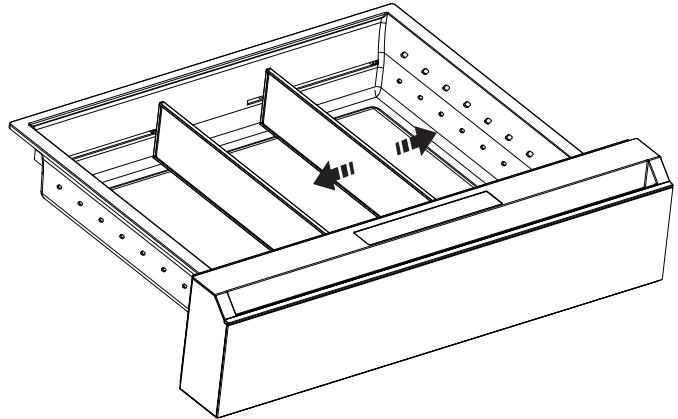
Sealed HCS bin prolongs produce preservation by maintaining humidity in the bin.

Refrigerator Storage Options

CONVERTIBLE DRAWER - Model CVE Only

How To Adjust Drawer Dividers

Grasp divider at the top and slide to the left or right.



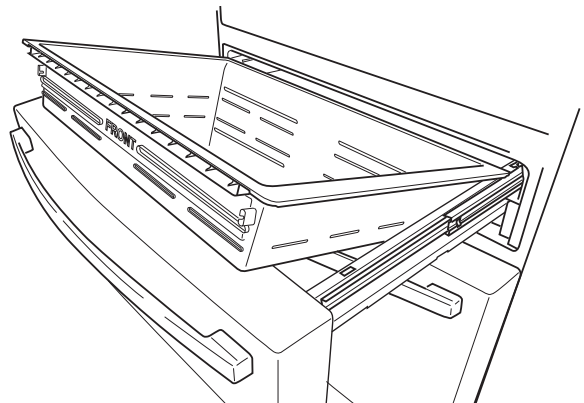
How to Remove and Replace Drawer

To remove:

1. Pull the drawer out to the stop position.
2. Remove the convertible drawer basket by lifting while rotating the basket upward

To replace:

1. Place drawer back in first and rotate drawer front down to seat on slide.
2. Push the drawer in to closed position.
Convertible drawer basket will be loose if re-installed backwards. Look for "FRONT" emboss to help with re-installation.

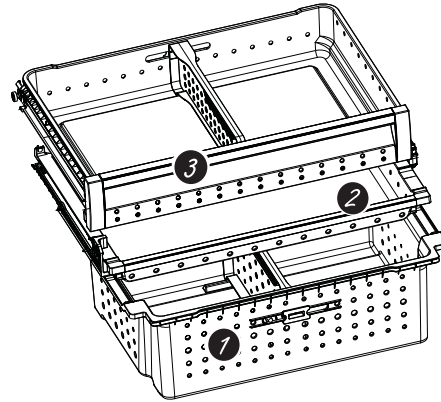


Refrigerator Storage Options

BASKETS, DRAWERS, AND BINS - Model CVE Only

Freezer Basket and Drawer

- ⑦ Basket.
- ② Pizza tray
- ③ Drawer



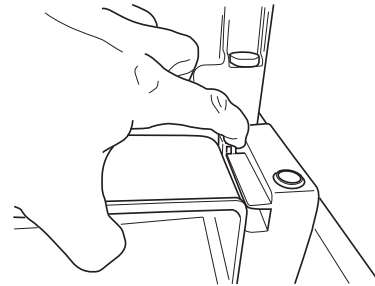
Tilt-Out Bin in the Freezer

To remove:

Press the tab on the right side bracket to remove the freezer drawer bin.

To replace:

Slide bin into location until it locks into place.



Basket Removal

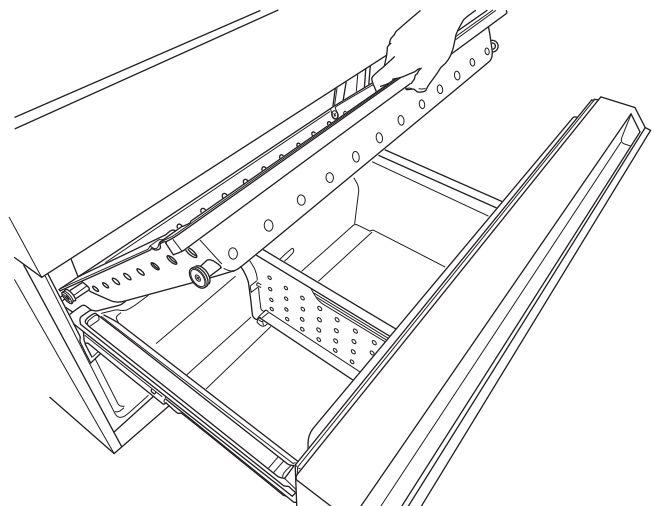
To remove:

1. Push the top freezer drawer basket all the way inside the freezer compartment. Top drawer is NOT removeable.
2. Pull the pizza tray all the way out and lift up until the pizza tray is free to remove.
3. Press the tab on the right side bracket to remove the freezer door bin.
4. Lift the bottom freezer drawer basket slightly back, then up and out of the drawer.

To replace:

1. Place drawer back in first and rotate drawer front down to seat on slide.

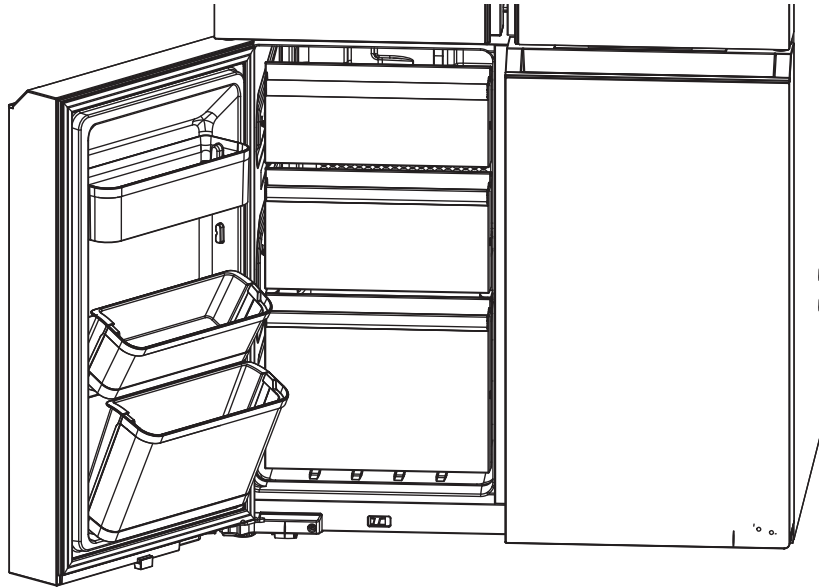
Bottom freezer drawer basket must be in place before installing the pizza drawer.



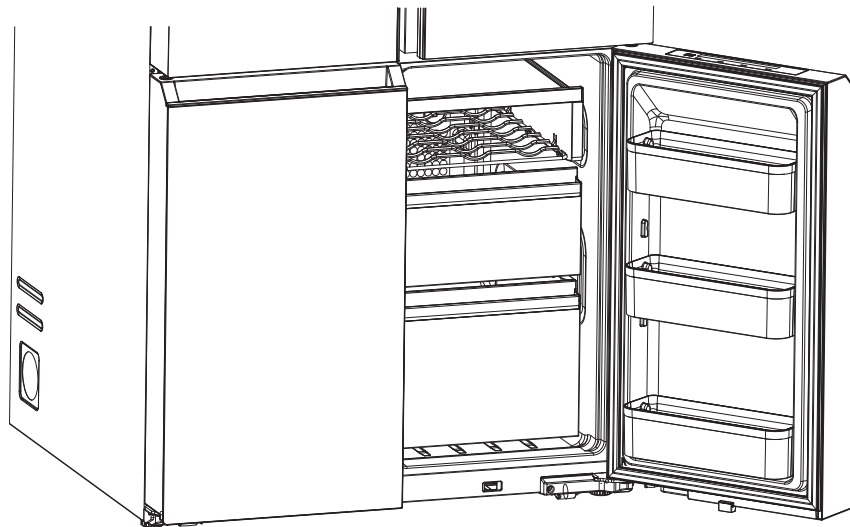
Refrigerator Storage Options

BASKETS, SHELF, AND BINS - Model CQE Only

Freezer Baskets



Select Zone Baskets, Shelf, and Wine Rack



Basket or Shelf Removal

To remove:

1. Pull basket or shelf out all the way.
2. Slightly lift front of basket or shelf and pull out.

To replace:

1. Reverse the removal steps.

Automatic Icemaker

A newly installed refrigerator may take 12 to 24 hours to begin making ice.

⚠ WARNING Connect to potable water supply only.

A cold water supply is required for automatic icemaker operation. The water pressure must be between 40 and 120 psi (275-827 kilopascals).

Automatic Icemaker

The icemaker will produce seven cubes per cycle approximately 100–130 cubes in a 24-hour period, depending on freezer compartment temperature, room temperature, number of door openings and other use conditions.

The icemaker will fill with water when it cools to 15°F (-10°C). A newly installed refrigerator may take 12 to 24 hours to begin making ice cubes.

If the refrigerator is operated before the water line connection is made to the unit or if the water supply to an operating refrigerator is turned off, make sure that the icemaker is turned off. Once the water has been connected to the refrigerator, the icemaker may be turned on using the controls.

You may hear a buzzing sound each time the icemaker fills with water.

To fill the bucket to maximum capacity after installation, dispense 3-4 cubes at 12 hours and 18 hours. Allow 1-2 days for the bucket to completely fill with ice.

Throw away the first few batches of ice to allow the water line to clear.

Be sure nothing interferes with the sweep of the feeler arm.

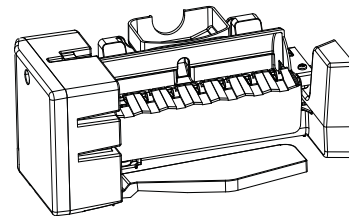
When the bin fills to the level of the feeler arm, the icemaker will stop producing ice. It is normal for several cubes to be joined together.

If ice is not used frequently, old ice cubes will become cloudy, taste stale and shrink.

NOTE: In homes with lower-than-average water pressure, you may hear the icemaker cycle multiple times when making one batch of ice.

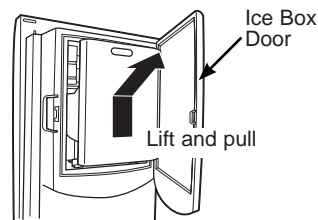
⚠ CAUTION To minimize the risk of personal injury, avoid contact with the moving parts of the ejector mechanism, or with the heating element that releases the cubes. Do not place fingers or hands on the automatic ice making mechanism while the refrigerator is plugged in.

To turn the icemaker **ON/OFF**, use the **Settings** button to navigate to the Icemaker selection. w



Ice Bucket and Dispenser

- Open the ice box door on inside of the left door.
- Pull up and out on the ice bucket in the left hand door to remove it from the compartment.
- To replace the ice bucket, set it on the guide brackets and push until the ice bucket seats properly.



Care and Cleaning

Cleaning the Outside

FINGERPRINT RESISTANT STAINLESS STEEL*, BLACK STAINLESS, SLATE, DARK SLATE, PAINTED, GLASS - Outside surfaces, door handles, and trim

⚠ DO NOT use Stainless Steel cleaners on the door surfaces. ⚠

IMPORTANT: The use of incorrect products may damage the outer finish of Fingerprint Resistant Stainless and Black Stainless models. Please follow these instructions and use only the appropriate items below to clean your appliance surfaces.

- Clean interior/exterior surfaces with warm water, mild soap or detergent, and a soft or microfiber cloth to avoid damage.
- Wipe the appliance surface dry with a soft clean cloth or microfiber towel to avoid streaking or water spotting.

DO USE	DO NOT USE
Soft, clean cloth or sponge Microfiber cloth	Abrasive cloths, paper towels, scrubbing sponges (with or without soap), scouring or steel wool pads
Mild detergent mixed with warm water	Abrasive powders, liquids, or sprays Window sprays, ammonia, or bleach Citrus or plant oil-based cleaners Acidic or vinegar-based cleaners Oven cleaners Alkaline cleaners Stainless steel cleaners

*Easily wipe away smudges and fingerprints.

STAINLESS STEEL - Outside surfaces, door handles, and trim

NOTE: DO NOT allow stainless steel cleaner to come in contact with any plastic parts such as trim pieces, handle hardware and liners. If unintentional contact of cleaners with plastic parts does occur, clean plastic part with a sponge and mild detergent mixed with warm water.

DO USE	DO NOT USE
Soft, clean cloth or sponge	Abrasive cloths, scrubbing sponges (with or without soap), scouring or steel wool pads
Mild detergent mixed with warm water Approved stainless steel cleaners; For approved stainless steel cleaners, visit cafeappliances.com . Cleaners with oxalic acid such as Bar Keepers Friend Soft Cleanser™ can be used to remove surface rust, tarnish and small blemishes on stainless steel surfaces only.	Abrasive powders or sprays Window Sprays or Ammonia Citrus or plant oil-based cleaners Acidic or vinegar-based cleaners Oven cleaners Cleaners containing acetone (propanone) Any cleaner with WARNING about plastic contact

Cleaning the Inside

To help prevent odors, leave an open box of baking soda in the refrigerator and freezer compartments.

Unplug the refrigerator before cleaning.

If this is not practical, wring excess moisture out of sponge or cloth when cleaning around switches, lights or controls.

Use an appliance wax polish on the inside surface between the doors.

Use warm water and baking soda solution—about a tablespoon (15 ml) of baking soda to a quart (1 liter) of water. This both cleans and neutralizes odors. Rinse and wipe dry.

To clean the inside metal panel*, open the outer door using the Door in Door Latch. Clean the panel with a mild detergent and then wipe dry with a soft cloth. Do not use any stainless steel cleaner on the panel as it may damage the surrounding plastic.

⚠ CAUTION Do not clean glass shelves or covers with warm water when they are cold. Glass shelves and covers may break if exposed to sudden temperature changes or impact such as bumping or dropping. Tempered glass is designed to shatter into many small pieces if it breaks.

Do not wash any plastic refrigerator parts in the dishwasher.

Care and Cleaning

Behind the Refrigerator

Be careful when moving the refrigerator away from the wall. All types of floor coverings can be damaged, particularly cushioned coverings and those with embossed surfaces.

Raise the leveling legs located at the bottom front of the refrigerator.

Pull the refrigerator straight out and return it to position by pushing it straight in. Moving the refrigerator in a side direction may result in damage to the floor covering or refrigerator.

Lower the leveling legs until they touch the floor.

⚠ WARNING  **ELECTRICAL SHOCK HAZARD**

When pushing the refrigerator back, make sure you don't roll over the power cord or water supply line.

Preparing for Vacation

For long vacations or absences, remove food and unplug the refrigerator. Clean the interior with a baking soda solution of one tablespoon (15 ml) of baking soda to one quart (1 liter) of water. Leave the doors open.

If the temperature can drop below freezing, have a qualified service technician drain the water supply system to prevent serious property damage due to flooding.

1. Turn refrigerator off (see CONTROLS, page 9) or unplug the refrigerator.

2. Empty ice bucket
3. Turn water supply off

If you cut the water supply off, turn off the icemaker.

Upon returning from vacation:

1. Replace the water filter.
 2. Run 2 gallons (7.57 liters) of water through the cold water dispenser (about 5 minutes) to flush the system.
-

Preparing to Move

Secure all loose items such as shelves and drawers by taping them securely in place to prevent damage.

When using a hand truck to move the refrigerator, do not rest the front or back of the refrigerator against the hand truck. This could damage the refrigerator.

Handle only from the sides of the refrigerator.

Be sure the refrigerator stays in an upright position during moving.

Replacing the Lights

Refrigerator Lights (LEDs)

Appearance may vary by model.

There is LED lighting in the refrigerator compartment, the bottom of the left-hand refrigerator door, and the bottom of the convertible drawer.

An authorized technician will need to replace the LED light.

If this assembly needs to be replaced, visit cafeappliances.com/service to place a service call. In Canada, visit cafeappliances.ca/service.

Installation Instructions

Refrigerator

Questions? Visit our Website at: cafeappliances.com
 In Canada, visit cafeappliances.ca

BEFORE YOU BEGIN

Read these instructions completely and carefully.

⚠ WARNING Tip Over Hazard.

Built-in style models are top heavy, especially with any doors open. These models must be secured with the anti-tip floor bracket to prevent tipping forward, which could result in death or serious injury. Read and follow the entire installation instructions for installing the anti-tip floor bracket packed with your refrigerator.

- **IMPORTANT** — Observe all governing codes and ordinances. Save these instructions for local inspector's use.
- **Note to Installer** – Be sure to leave these instructions with the Consumer.
- **Note to Consumer** – Keep these instructions for future reference.
- **Skill level** – Installation of this appliance requires basic mechanical skills.
- **Completion time** – Refrigerator Installation can vary
 Water Line Installation 30 minutes
- Proper installation is the responsibility of the installer.
- Product failure due to improper installation is not covered under the Warranty.

PREPARATION

MOVING THE REFRIGERATOR INDOORS

If the refrigerator will not fit through a doorway, the refrigerator doors and freezer drawer can be removed.

- To remove the refrigerator doors, see the Installing the Refrigerator section.
- To remove the freezer drawer, see the Removing the Freezer Drawer section.

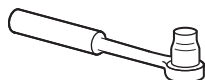
WATER SUPPLY TO THE ICEMAKER AND DISPENSER

If the refrigerator has an icemaker, it will have to be connected to a cold water line. A GE Appliances water supply kit (containing tubing, shutoff valve, fittings and instructions) is available at extra cost from your dealer, by visiting our website at cafeappliances.com/parts (in Canada at cafeappliances.ca/parts).

TOOLS YOU MAY NEED



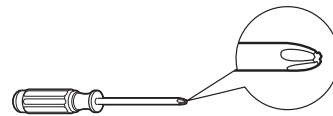
Adjustable Wrench



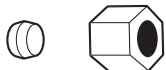
3/8", 5/16" Socket Ratchet/Driver



1/8", 3/32", 3/16", 1/4" & 5/32" Allen Wrenches



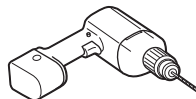
Phillips-Head Screwdriver



1/4" Outer Diameter Compression Nut and Ferrule (sleeve)



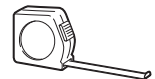
Pencil



1/8" Drill Bit and Electric or Hand Drill



1/4" Nut Driver



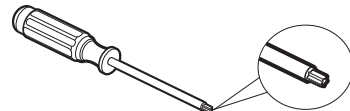
Tape Measure



Pliers



Flat-Head Screwdriver



Torx T20, T25



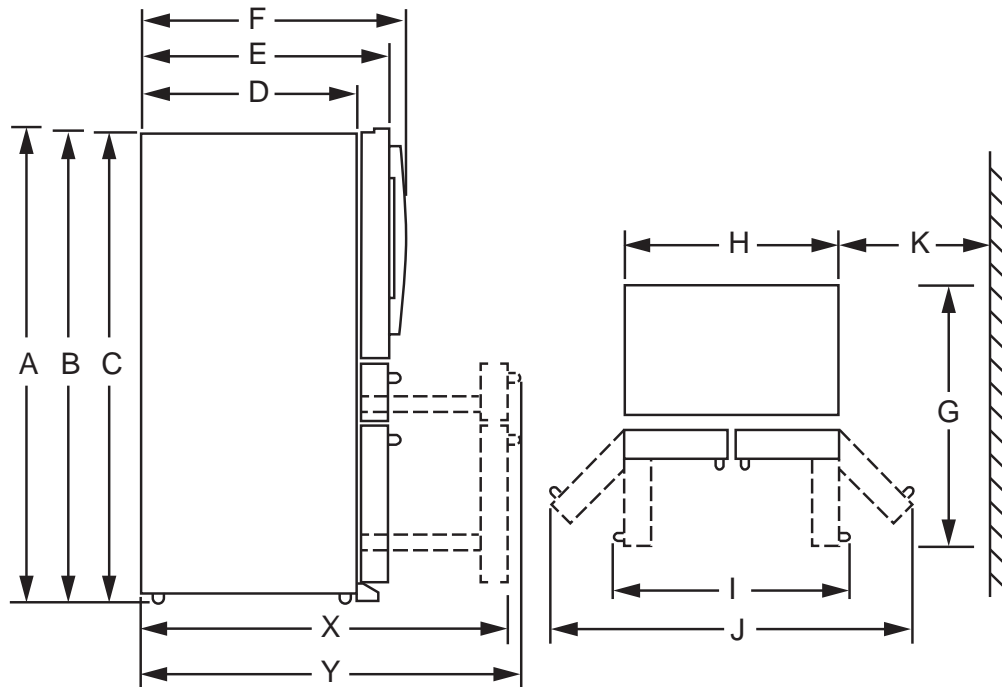
Level

Installation Instructions

DIMENSIONS - CVE Models

NOTE: It is recommended that the floor be protected with a plastic covering throughout the installation process.

NOTE: Not recommended for installation on carpeted flooring.



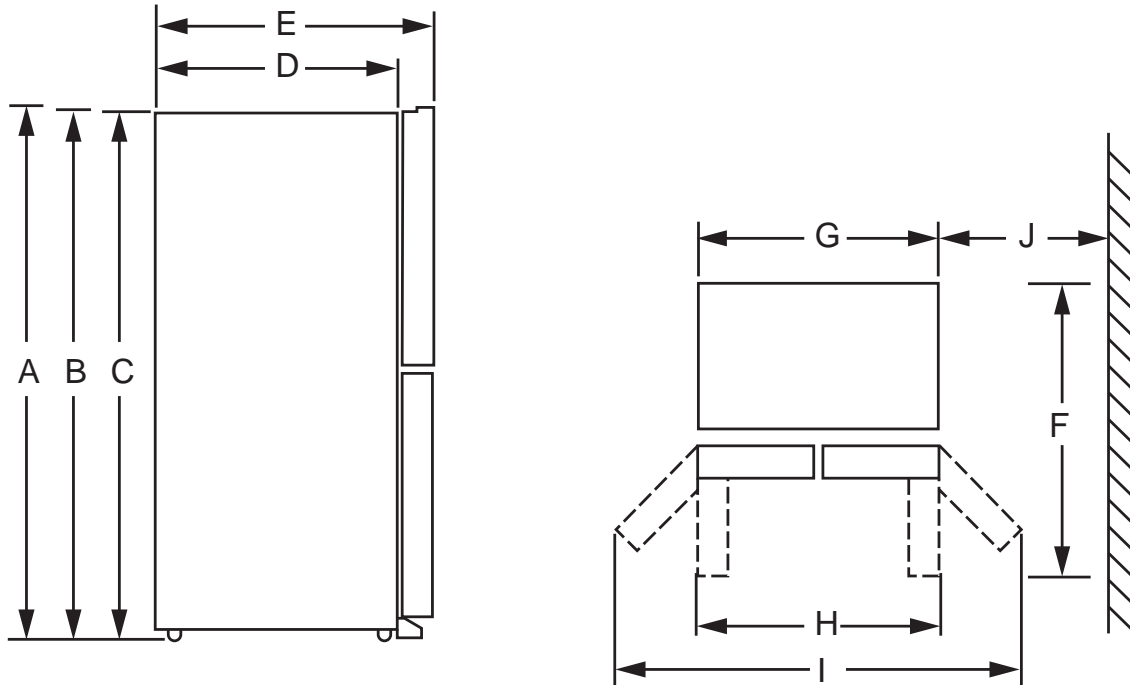
	Cafe Pro	Cafe Glass
Overall Height to Top of the Door (A)	70" (1775 mm)	70" (1775 mm)
Height to Top of Hinge Cover (B)	69-13/16" (1772 mm)	69-13/16" (1772 mm)
Height to Top of Case (C)	68-5/8" (1742 mm)	68-5/8" (1742 mm)
Case Depth without Door (D)	29-3/4" (755 mm)	29-3/4" (755 mm)
Case Depth with Door, less Door Handle (E)	34-9/16" (878 mm)	34-3/8" (872 mm)
Case Depth with Door and Handle (F)	37-1/8" (943mm)	34-3/8" (872 mm)
Depth with Refrigerator Door Open 90° (G)	48-11/16" (1236 mm)	48-11/16" (1236 mm)
Width (H)	35-3/4" (908 mm)	35-3/4" (908 mm)
Width with Door Open 90°, with Handle (I)	45-1/2" (1156 mm)	39-9/16" (1005 mm)
Width with Doors Fully Open (J)	64-1/2" (1638 mm)	60-1/8" (1527 mm)
Min. Distance Between Case and Wall to Allow Doors to Fully Open (K)	13-3/4" (350 mm)	13" (330 mm)
Depth with Freezer Door Completely Open, without Handle (X)	53-15/16" (1369 mm)	53-5/8" (1362 mm)
Depth with Freezer Door Completely Open, with Handle (Y)	56-3/8" (1433 mm)	53-5/8" (1362 mm)

Installation Instructions

DIMENSIONS - CQE Models

NOTE: It is recommended that the floor be protected with a plastic covering throughout the installation process.

NOTE: Not recommended for installation on carpeted flooring.



Overall Height to Top of the Door (A)	70" (1775 mm)
Height to Top of Hinge Cover (B)	69-13/16" (1772 mm)
Height to Top of Case (C)	68-5/8" (1742 mm)
Case Depth without Door (D)	29-3/4" (755 mm)
Case Depth with Door (E)	34-3/8" (872 mm)
Depth with Refrigerator Door Open 90° (F)	48-11/16" (1236 mm)
Width (G)	35-3/4" (908 mm)
Width with Door Open 90° (H)	39-9/16" (1005 mm)
Width with Doors Fully Open (I)	60-1/8" (1527 mm)
Min. Distance Between Case and Wall to Allow Doors to Fully Open (J)	13" (330 mm)

Doors must be fully open to get full access to the Freezer and Temp Select Zone drawers.

Installation Instructions

MOVING THE REFRIGERATOR

- Using the chart below determine if the width of your passageway can accommodate the depth of the refrigerator. Ensure you have clearance to prevent damage to the refrigerator before safely moving it to the final location.
- If passageways are large enough to accommodate the refrigerator without removing the handles skip to Step 6. Leave tape, film and all packaging on doors until the refrigerator is in the final location.
- **NOTE: Use a padded hand truck or moving straps to move this refrigerator. Place the refrigerator on the hand truck with a side against the truck. We strongly recommend that two people move and complete this installation.**

If your opening is less than the following dimensions, remove door parts in order until dimension is less than the opening.		
	CVE28DM	CQE
Fully Assembled	37-1/8" (943 mm)	34-7/8" (872 mm)
Remove Handles	34-9/16" (878 mm)	
Remove Doors	32-1/4" (819 mm)	32-1/4" (819 mm)
Remove Center Hinge	29-3/4" (755 mm)	29-3/4" (755 mm)

Installation Instructions

INSTALLING THE REFRIGERATOR

REFRIGERATOR LOCATION

- Do not install the refrigerator where the temperature will go below 60°F (16°C) because it will not run often enough to maintain proper temperatures.
- Do not install the refrigerator where the temperature will go above 100°F (37°C) because it will not perform properly.
- Do not install the refrigerator in a location exposed to water (rain, etc.) or direct sunlight.
- Install it on a floor strong enough to support it fully loaded.

CLEARANCES

Allow the following clearances for ease of installation, proper air circulation and plumbing and electrical connections.

Sides	1/8" (3 mm)	
Top	1" (25 mm)	Cabinet/Hinge Cover
Back	2" (50 mm)	

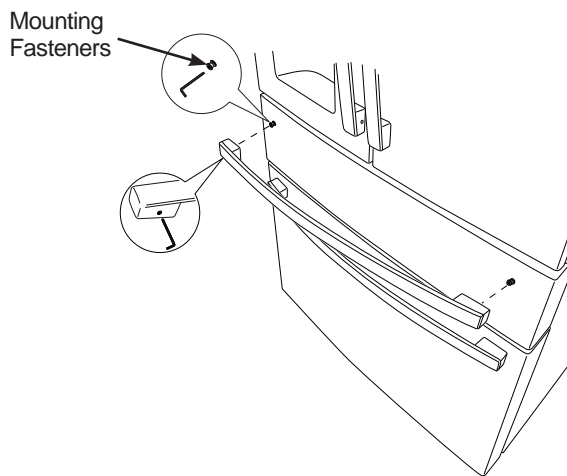
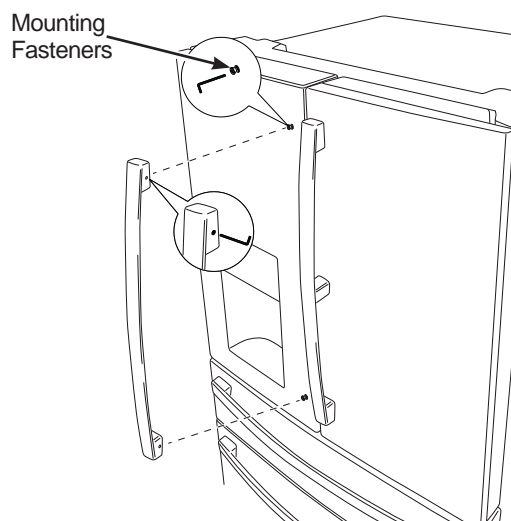
REMOVING THE REFRIGERATOR DOORS

- **IMPORTANT NOTE:** This refrigerator is 37-1/8" (943 mm) deep (refer to chart on previous page). Doors and passageways leading to the installation location must be at least 37-1/8" (943 mm) wide in order to leave the doors and handles attached to the refrigerator while transporting it into the installation location. If passageways are less than 37-1/8" (943 mm), the refrigerator doors and handles can easily be scratched and damaged. The top cap and doors can be removed to allow the refrigerator to be safely moved indoors. If passageways are less than 34-9/16" (878 mm), start with Step 1.
- If it is not necessary to remove doors, skip to Step 11. Leave tape and all packaging on doors until the refrigerator is in the final location.
- **NOTE:** Use a padded hand truck to move this refrigerator. Place the refrigerator on the hand truck with a side against the truck. We strongly recommend that **TWO PEOPLE** move and complete this installation.

1 REMOVE THE REFRIGERATOR AND FREEZER DOOR HANDLES (if necessary)

Handle design varies; however installation is the same.

1. Tighten/loosen the handle to/from the door by turning set screw with 1/8" Allen wrench. Leave film on door until installation is finished.
2. If handle mounting fasteners need to be tightened or removed, use a 3/16" Allen wrench.



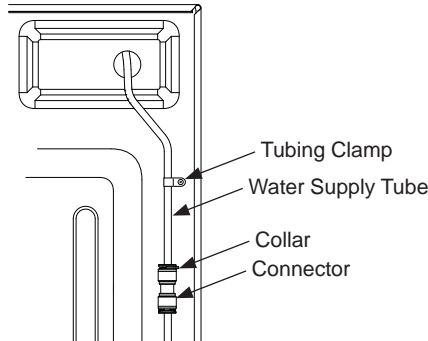
Installation Instructions

INSTALLING THE REFRIGERATOR (Cont.)

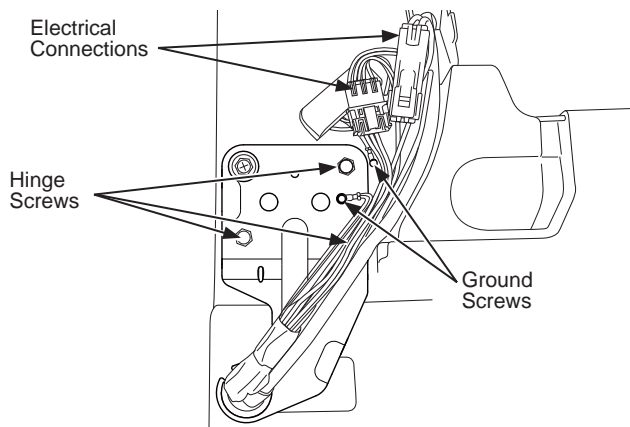
2 REMOVE LEFT-HAND DOOR

⚠ WARNING Follow all steps for removing and reinstalling the door. Failure to follow these instructions, leaving off parts, or overtightening screws, can lead to the door falling off and result in injury and property damage.

1. Loosen the icemaker water supply tube.



- Loosen and remove the tubing clamp which holds the water supply tube to the back of the refrigerator.
 - Remove the black collar from water supply tube connector at the top right back of the refrigerator.
 - Press the white flange down and separate the water supply line from the connector.
2. Remove the left hinge cover by removing 2 hinge cover screws with a Phillips head screwdriver and lifting from the left side. Disconnect electrical connectors and pull the water supply tube through the case.



3. Securely tape the door shut with masking tape or have a second person support the door.
4. Remove screws holding hinge with a 5/16" socket. Lift hinge from refrigerator and door.

2 REMOVE LEFT-HAND DOOR (cont.)

For proper installation later, please follow these next steps carefully:

- Remove the tape keeping the door as straight as possible, then lift up to remove.

⚠ CAUTION Lifting Hazard.

A single person lift could cause injury. Gain assistance when handling, moving, or lifting refrigerator doors.

3 REMOVE RIGHT-HAND DOOR

- Remove right hinge cover.
- Securely tape the door shut with masking tape or have a second person support the door.
- Remove screws holding hinge with a 5/16" socket. Lift hinge from refrigerator and door.

For proper installation later, please follow these next steps carefully:

- Remove the tape keeping the door as straight as possible, then lift up to remove.

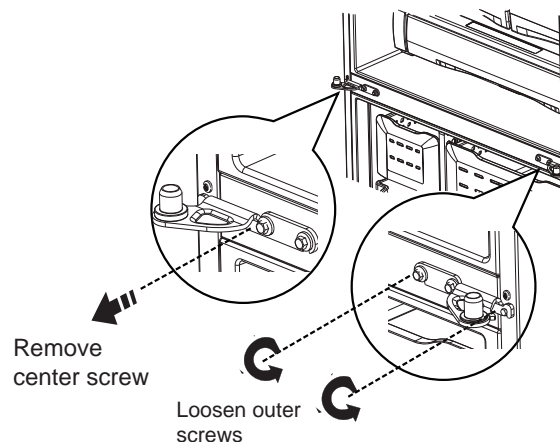
⚠ CAUTION Lifting Hazard.

A single person lift could cause injury. Gain assistance when handling, moving, or lifting refrigerator doors.

To reassemble doors, reverse removal steps.

4 REMOVE CENTER HINGE (if necessary)

Remove screws that secure hinge to the cabinet. Inner screws need a 5/16" socket. Outer screw needs a Phillips #2.

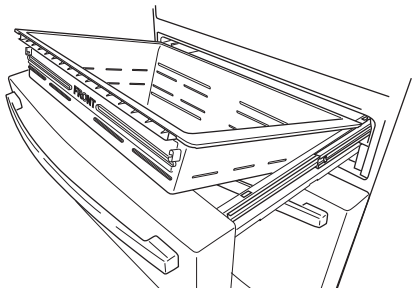


Installation Instructions

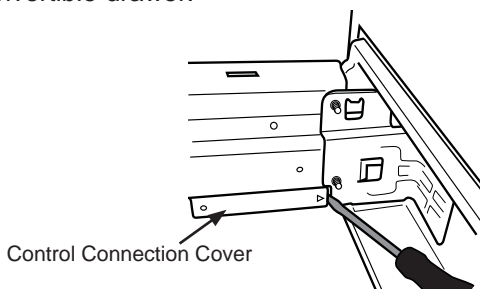
INSTALLING THE REFRIGERATOR (Cont.)

5 REMOVING CONVERTIBLE DRAWER (on some models)

1. Remove the convertible drawer basket by lifting while rotating the basket upward.



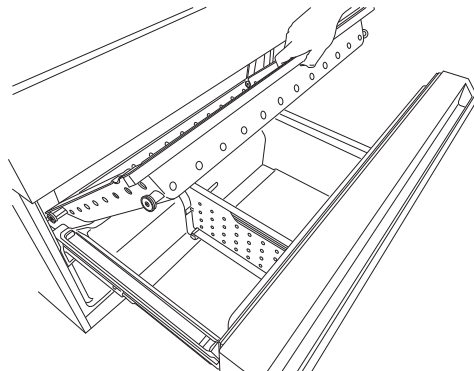
2. Remove 2 screws from each side of the frame with a 5/16" socket.
3. Disconnect the control connection for the convertible drawer.



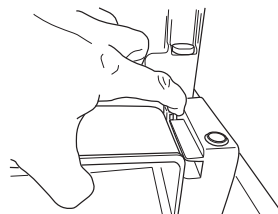
- Using a flat-head screwdriver, remove cover over electric connectors on inside right of the drawer frame. The cover hooks through the drawer frame toward the inside of the refrigerator.
- Press the tab in the center of the connector to separate.
- Remove door by lifting off hooks.

6 REMOVE PIZZA TRAY AND LOWER FREEZER BASKET (on some models)

1. Push the top freezer drawer basket all the way inside the freezer compartment.
2. Pull the pizza tray all the way out and lift up until the pizza tray is free to remove.



3. Press the tab on the right side bracket to remove the freezer drawer bin.



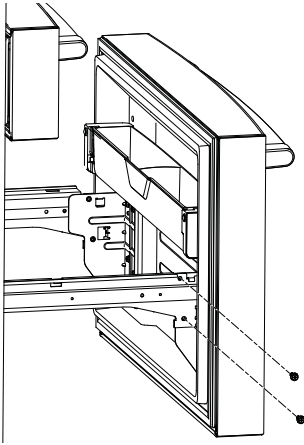
4. Lift the bottom freezer drawer basket slightly back, then up and out of the drawer.
5. Pull the lower basket and slide mechanism to full extension using both hands.
6. Remove the basket resting on the slides.

Installation Instructions

INSTALLING THE REFRIGERATOR (Cont.)

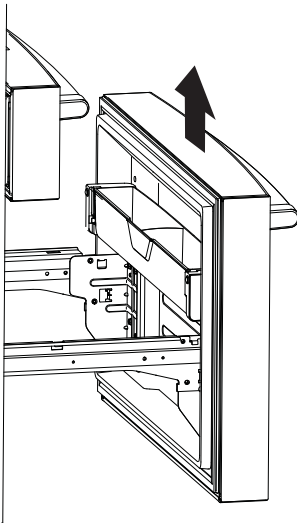
7 REMOVE THE FREEZER DRAWER (on some models)

1. Pull the freezer drawer open to full extension.
2. Remove two screw from each side of the frame with a 5/16" socket.



CAUTION Lifting Hazard
Freezer door is heavy Use both hands to secure the door before lifting.

3. Remove the door by lifting off hooks.

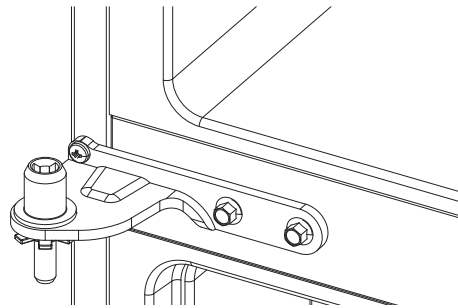


4. Push the bottom basket slides back until the slide mechanism self retracts.

8 REMOVE LOWER LEFT-HAND DOOR (on some models)

WARNING Follow all steps for removing and reinstalling the door. Failure to follow these instructions, leaving off parts, or overtightening screws, can lead to the door falling off and result in injury and property damage.

1. Securely tape the door shut with masking tape or have a second person support the door.
2. Remove the center hinge with a 5/16" socket and Phillips head screwdriver.



3. Remove the tape keeping the door as straight as possible, then lift up to remove.

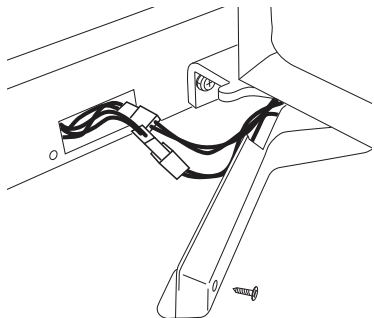
CAUTION Lifting Hazard.
A single person lift could cause injury. Gain assistance when handling, moving, or lifting refrigerator doors.

Installation Instructions

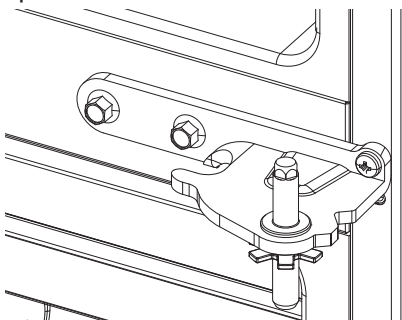
INSTALLING THE REFRIGERATOR (Cont.)

9 REMOVE LOWER RIGHT-HAND DOOR (on some models)

1. Open lower right-hand door 90°.
2. Remove lower hinge cover by removing Phillips head screw and unsnapping cover from hinge.



3. Disconnect 2 harnesses.
4. Securely tape the door shut with masking tape or have a second person support the door.
5. Remove the center hinge with a 5/16" socket and Phillips head screwdriver.



6. Remove the tape keeping the door as straight as possible, then lift up to remove.

CAUTION Lifting Hazard

Freezer door is heavy Use both hands to secure the door before lifting.

1. Pull the lower basket slide mechanism to full extension with both hands.
2. Lift the freezer door and align the hooks with the notches on the slide mechanisms. NOTE: Place one side in first, then align the other side.
3. Replace the attachment screws and torque the screws to 65 in-lb (7.34 N-m).

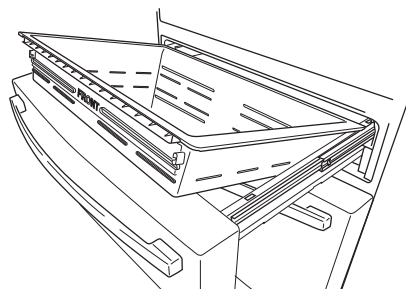
To reassemble doors, reverse removal steps. Be careful wires pass through bottom right-hand hinge.

10 REMOVE LOWER HINGE (if necessary) (on some models)

Remove screws that secure hinge to the cabinet. Inner screws need a 5/16" socket. Outer screw needs a Phillips #2."

11 RE-INSTALL CONVERTIBLE DRAWER (on some models)

To reassemble doors, reverse removal steps. Convertible drawer basket will be loose if re-installed backwards. Look for "FRONT" emboss to help with re-installation.



Installation Instructions

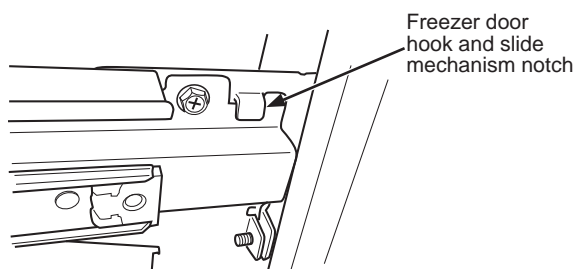
INSTALLING THE REFRIGERATOR (Cont.)

12 REPLACE FREEZER DRAWER (on some models)

▲ CAUTION Lifting Hazard

Freezer door is heavy Use both hands to secure the door before lifting.

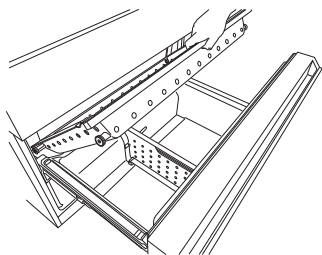
1. Pull the lower basket slide mechanism to full extension with both hands.
2. Lift the freezer door and align the hooks with the notches on the slide mechanisms.
NOTE: Place one side in first, then align the other side.



3. Replace the attachment screws and torque the screws to 65 in-lb (7.34 N-m).

13 RE-INSTALL PIZZA TRAY AND LOWER FREEZER BASKET (on some models)

1. Re-install lower freezer basket first, then re-install pizza drawer.



2. Check for smooth operation of baskets.
3. Re-install freezer drawer by placing the drawer wheels onto the top of the track mounted to the side of the freezer walls. The wheels on the freezer drawer should be on top of the bottom basket sides.

14 REINSTALL LOWER LEFT AND RIGHT-HAND DOORS (on some models)

▲ WARNING Follow all steps for removing and reinstalling the door. Failure to follow these instructions, leaving off parts, or overtightening screws, can lead to the door falling off and result in injury and property damage.

▲ CAUTION Lifting Hazard

A single person lift could cause injury. Gain assistance when handling, moving, or lifting refrigerator doors.

1. Reinstall lower hinges first (if necessary) and torque the 5/16" screws to 65 in-lb (7.35 N-m) and small screw to 25 in-lbs (2.82 N-m). Rotating the screw by 1/3 turn after it is flush with mating surface will achieve these torques.
2. With the door at 90° to the front of the case, lower the refrigerator door onto the lower hinge, carefully pulling the harness through the right-hand hinge. Close the door and tape closed.
3. Reinstall the center hinge per step #1 above.
4. Remove the tape.
5. Open the lower right-hand door 90°.
6. Connect the two harnesses.
7. Replace both lower hinge covers (if necessary).

Installation Instructions

INSTALLING THE REFRIGERATOR (Cont.)

15 REINSTALLING THE UPPER LEFT AND RIGHT-HAND DOORS

⚠ WARNING Follow all steps for removing and reinstalling the door. Failure to follow these instructions, leaving off parts, or overtightening screws, can lead to the door falling off and result in injury and property damage.

⚠ CAUTION **Lifting Hazard**

A single person lift could cause injury. Gain assistance when handling, moving, or lifting refrigerator doors.

1. Reinstall center hinge first and torque the 1/4" screw to 65 in-lbs (7.34 N-m) and small screw to 25 in-lbs (2.82 N-m). Rotating the screw by 1/3 turn after it is flush with mating surface will achieve these torques.

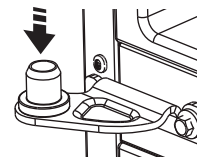
2. Lower the refrigerator door onto the center hinge.

3. **Securely tape the door shut with masking tape or have a second person support the door.**

4. Reinstallation is the reverse of the removal instructions.

5. Be sure to reinstall the ground wire and strain relief to the top hinge.

6. Reinstall hinge cover. **NOTE:** Ensure wires are not pinched or under screw bosses before tightening screws.



16 CONNECTING REFRIGERATOR TO THE HOUSE WATER LINE

A cold water supply is required for automatic icemaker operation. If there is not a cold water supply, you will need to provide one. See Installing the Water Line section.

NOTES:

- Before making the connection to the refrigerator, be sure the refrigerator power cord is not plugged into the wall outlet.
- If your refrigerator does not have a water filter, we recommend installing one if your water supply has sand or particles that could clog the screen of the refrigerator's water valve. Install it in the water line near the refrigerator. If using SmartConnect™ Refrigerator Tubing Kit, you will need an additional tube (WX08X10002) to connect the filter. Do not cut plastic tube to install filter.
- Before connecting the water line to the house, purge the house line for at least 2 minutes.

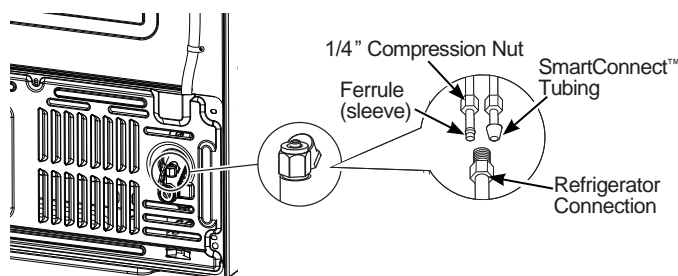
1. If you are using copper tubing, place a compression nut and ferrule (sleeve) onto the end of the tubing coming from the house cold water supply.
If you are using the SmartConnect™ tubing, the nuts are already assembled to the tubing.

2. If you are using copper tubing, insert the end of the tubing into the refrigerator connection, at the back of the refrigerator, as far as possible. While holding the tubing, tighten the fitting.

If you are using SmartConnect™ tubing, insert the molded end of the tubing into the refrigerator connection, at the back of the refrigerator, and tighten the compression nut until it is hand tight. Then tighten one additional turn with a wrench. Over tightening may cause leaks.

3. Fasten the tubing into the clamp provided to hold it in position. You may need to pry open the clamp.

⚠ WARNING Connect to potable water supply only. A cold water supply is required for automatic icemaker operation. The water pressure must be between 40 and 120 psi (275-827 kilopascals)

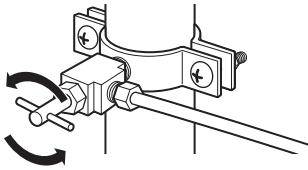


⚠ WARNING **Electrical Shock Hazard.** Attach tubing clamp using existing hole only. DO NOT drill into the refrigerator.

Installation Instructions

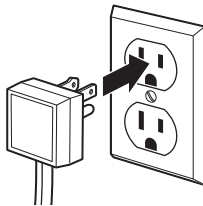
INSTALLING THE REFRIGERATOR (Cont.)

17 TURN ON THE WATER SUPPLY



Turn the water on at the shutoff valve (house water supply) and check for any leaks.

18 PLUG IN THE REFRIGERATOR



See the grounding information attached to the power cord.

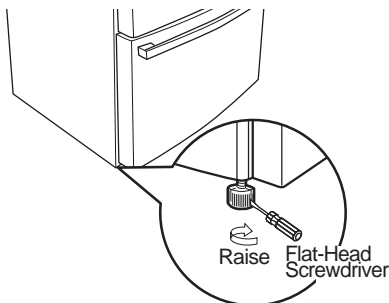
19 LEVEL THE REFRIGERATOR

The leveling legs have 2 purposes:

1. Leveling legs adjust so the refrigerator is firmly positioned on the floor and does not wobble.
2. Leveling legs serve as a stabilizing brake to hold the refrigerator securely in position during operation and cleaning. The leveling legs also prevent the refrigerator from tipping.

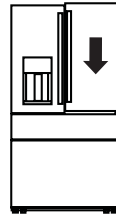
- Turn the leveling legs clockwise to raise the refrigerator, counterclockwise to lower it.

NOTICE: To avoid possible property damage, the leveling legs must be firmly touching the floor.

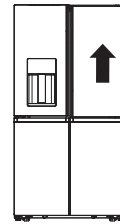


20 LEVEL THE REFRIGERATOR DOORS

Remember a level refrigerator is necessary for getting the doors perfectly even. If you need help, review the previous section on leveling the refrigerator.



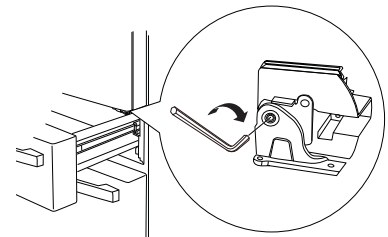
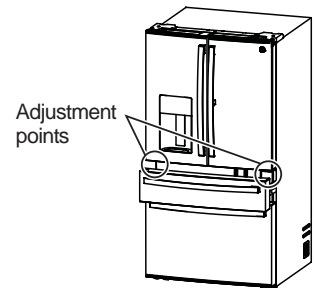
When the left door is lower than the right door.



When the left door is higher than the right door.

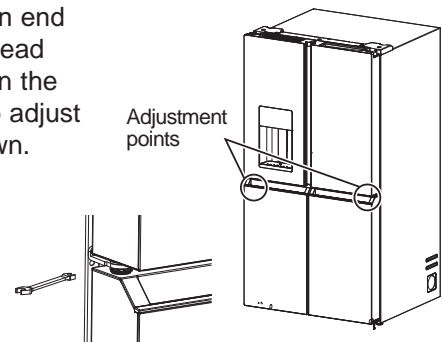
For 2 drawer models:

1. Access the hinge screws by opening the convertible drawer.
2. Insert 1/4" Allen wrench into the shaft of the center hinge.
3. Adjust the height by turning clockwise or counterclockwise. When you turn counterclockwise, the door will move up.



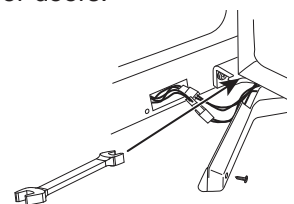
For 4 door models:

Using a 1/4" open end wrench or flat-head screwdriver, turn the slotted wheel to adjust doors up or down.



To adjust the height of the lower doors:

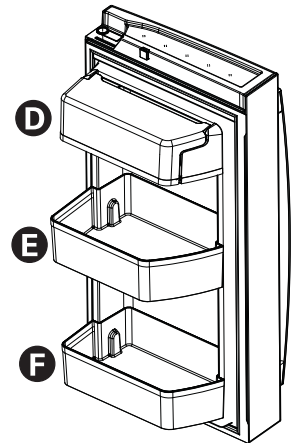
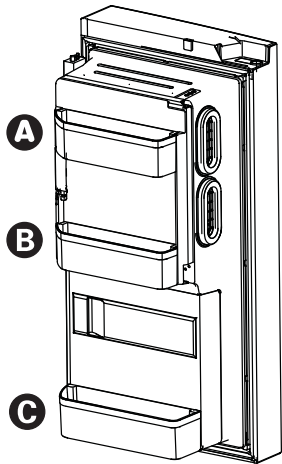
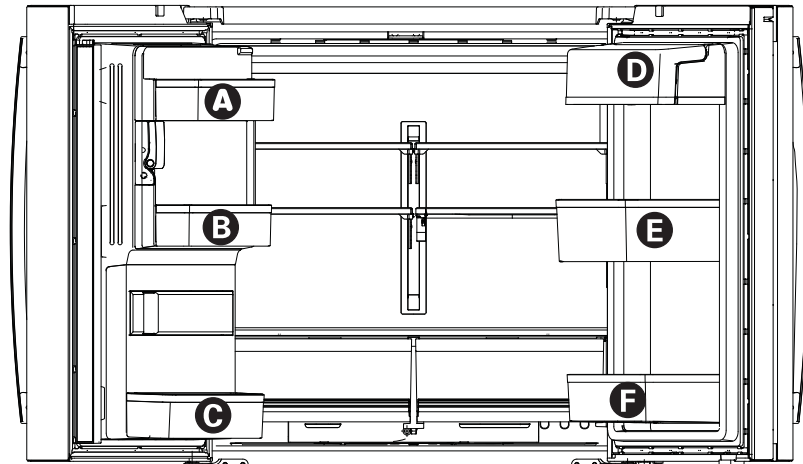
- Remove the left-hand and right-hand hinge covers with a Phillips head screwdriver, then use a 9/16" open end wrench to adjust the doors up or down.



Installation Instructions

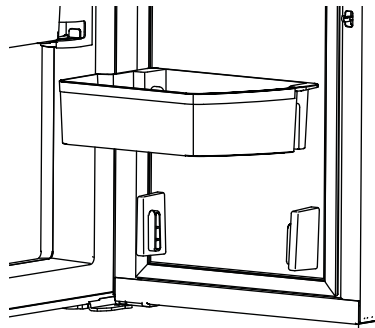
INSTALLING THE REFRIGERATOR (Cont.)

CVE Models



To place bins into doors:

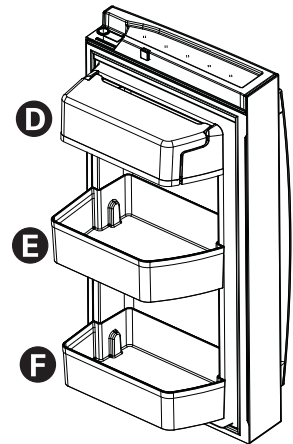
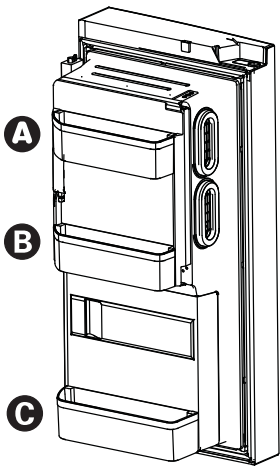
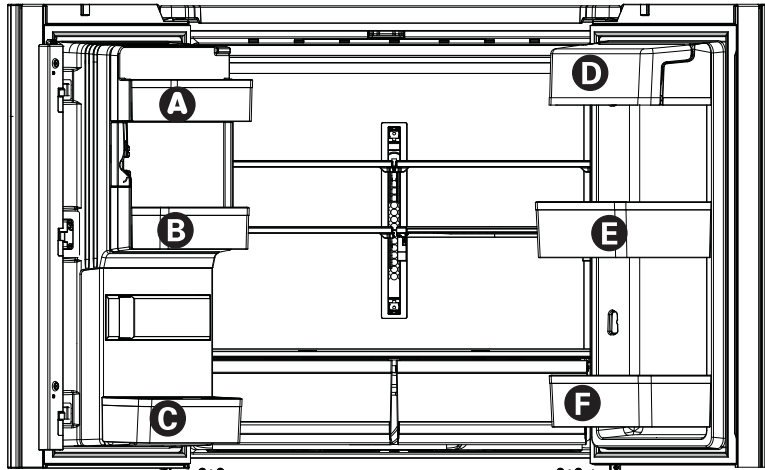
- 1 Match your bin with the letter shown. Position the bins over the bin locator and push forward until inserted fully.
- 2 Push bin down until locked into position.



Installation Instructions

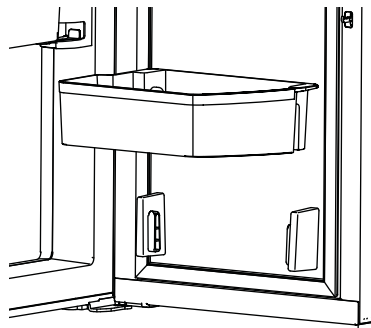
INSTALLING THE REFRIGERATOR (Cont.)

CQE Models



To place bins into doors:

- 1 Match your bin with the letter shown. Position the bins over the bin locator and push forward until inserted fully.
- 2 Push bin down until locked into position.



Installation Instructions

INSTALLING THE WATER LINE

BEFORE YOU BEGIN

Recommended copper water supply kits are WX8X2, WX8X3 or WX8X4, depending on the amount of tubing you need. Approved plastic water supply lines are SmartConnect™ Refrigerator Tubing (WX08X10006, WX08X10015 and WX08X10025).

When connecting your refrigerator to a GE Appliances Reverse Osmosis Water System, the only approved installation is with a GE Appliances RVKit. For other reverse osmosis water systems, follow the manufacturer's recommendations.

If the water supply to the refrigerator is from a Reverse Osmosis (RO) Water Filtration System AND the refrigerator also has a water filter, use the refrigerator's filter bypass plug. Using the refrigerator's water filtration cartridge in conjunction with the RO water filter can result in hollow ice cubes. Some models do not come equipped with the filter bypass plug. To obtain a free bypass plug, visit cafeappliances.com. In Canada, visit cafeappliances.ca.

This water line installation is not warranted by the refrigerator or icemaker manufacturer. Follow these instructions carefully to minimize the risk of expensive water damage.

Water hammer (water banging in the pipes) in house plumbing can cause damage to refrigerator parts and lead to water leakage or flooding. Call a qualified plumber to correct water hammer before installing the water supply line to the refrigerator.

To prevent burns and product damage, do not hook up the water line to the hot water line.

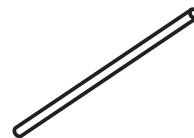
If the refrigerator is operated before the water connection is made to the icemaker, see **Controls** section on page 9 to turn icemaker off.

Do not install the icemaker tubing in areas where temperatures fall below freezing.

When using any electrical device (such as a power drill) during installation, be sure the device is double insulated or grounded in a manner to prevent the hazard of electric shock, or is battery powered.

All installations must be in accordance with local plumbing code requirements.

WHAT YOU WILL NEED



- Copper or SmartConnect™ Refrigerator Tubing kit, 1/4" outer diameter to connect the refrigerator to the water supply. If using copper, be sure both ends of the tubing are cut square.

To determine how much tubing you need: measure the distance from the water valve on the back of the refrigerator to the water supply pipe. Be sure there is sufficient extra tubing to allow the refrigerator to move out from the wall after installation.

SmartConnect™ Refrigerator Tubing Kits are available in the following lengths:

- 8' (2.4 m) – WX08X10006
- 15' (4.6 m) – WX08X10015
- 25' (7.6 m) – WX08X10025

⚠ WARNING

Connect to potable water supply only.

A cold water supply is required for automatic icemaker operation. The water pressure must be between 40 and 120 psi (275-827 kilopascals)

Installation Instructions

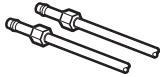
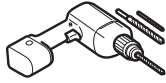
INSTALLING THE WATER LINE (Cont.)

WHAT YOU WILL NEED (Cont.)

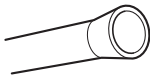
NOTE: The only Café approved plastic tubing is that supplied in SmartConnect™ Refrigerator Tubing kits. Do not use any other plastic water supply line because the line is under pressure at all times. Certain types of plastic will crack or rupture with age and cause water damage to your home.

- A GE Appliances water supply kit (containing tubing, shutoff valve and fittings listed below) is available at extra cost from your dealer or by visiting cafeappliances.com (in Canada, cafeappliances.ca).
- A cold water supply. The water pressure must be between 20 and 120 p.s.i. (1.4–8.1 bar).

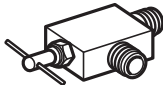
- Power drill.
- 1/2" or adjustable wrench.
- Straight and Phillips blade screwdriver.



- Two 1/4" outer diameter compression nuts and 2 ferrules (sleeves)—to connect the copper tubing to the shutoff valve and the refrigerator water valve.
OR
- If you are using a SmartConnect™ Refrigerator Tubing kit, the necessary fittings are preassembled to the tubing.



- If your existing copper water line has a flared fitting at the end, you will need an adapter (available at plumbing supply stores) to connect the water line to the refrigerator OR you can cut off the flared fitting with a tube cutter and then use a compression fitting. Do not cut formed end from SmartConnect™ Refrigerator tubing.



- Shutoff valve to connect to the cold water line. The shutoff valve should have a water inlet with a minimum inside diameter of 5/32" at the point of connection to the COLD WATER LINE. Saddle-type shutoff valves are included in many water supply kits. Before purchasing, make sure a saddle-type valve complies with your local plumbing codes.

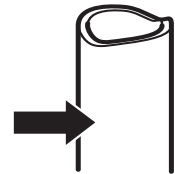
Install the shutoff valve on the nearest frequently used drinking water line.

1 SHUT OFF THE MAIN WATER SUPPLY

Turn on the nearest faucet long enough to clear the line of water.

2 CHOOSE THE VALVE LOCATION

Choose a location for the valve that is easily accessible. It is best to connect into the side of a vertical water pipe. When it is necessary to connect into a horizontal water pipe, make the connection to the top or side, rather than at the bottom, to avoid drawing off any sediment from the water pipe.

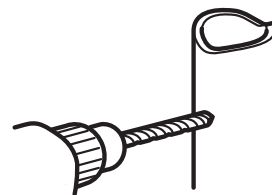


3 DRILL THE HOLE FOR THE VALVE

Drill a 1/4" hole in the water pipe (even if using a self-piercing valve), using a sharp bit. Remove any burrs resulting from drilling the hole in the pipe.

Take care not to allow water to drain into the drill.

Failure to drill a 1/4" hole may result in reduced ice production or smaller cubes.

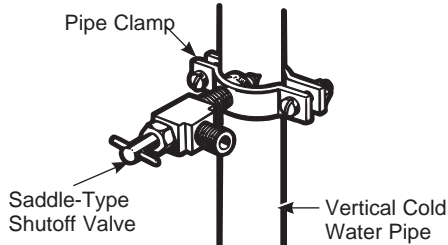


Installation Instructions

INSTALLING THE WATER LINE (Cont.)

4 FASTEN THE SHUTOFF VALVE

1. Fasten the shutoff valve to the cold water pipe with the pipe clamp.

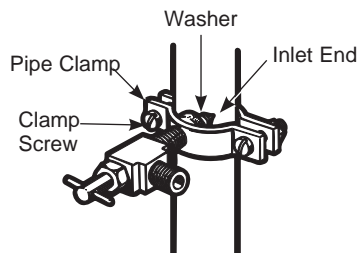


NOTE: Commonwealth of Massachusetts Plumbing Codes 248CMR shall be adhered to. Saddle valves are illegal and use is not permitted in Massachusetts. Consult with your licensed plumber.

5 TIGHTEN THE PIPE CLAMP

Tighten the clamp screws until the sealing washer begins to swell.

NOTE: Do not over tighten or you may crush the tubing.



6 ROUTE THE TUBING

Route the tubing between the cold water line and the refrigerator.

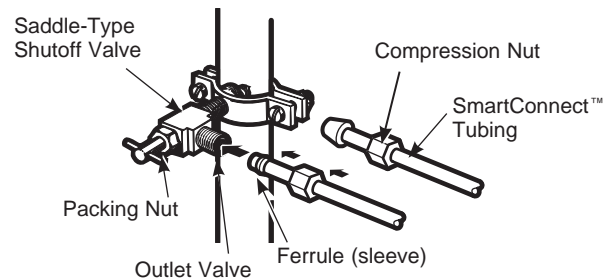
Route the tubing through a hole drilled in the wall or floor (behind the refrigerator or adjacent base cabinet) as close to the wall as possible.

7 CONNECT THE TUBING TO THE VALVE

Place the compression nut and ferrule (sleeve) for copper tubing onto the end of the tubing and connect it to the shutoff valve.

Make sure the tubing is fully inserted into the valve. Tighten the compression nut securely.

For plastic tubing from a SmartConnect™ Refrigerator Tubing kit, insert the molded end of the tubing into the shutoff valve and tighten compression nut until it is hand tight, then tighten one additional turn with a wrench. Over tightening may cause leaks.



NOTE: Commonwealth of Massachusetts Plumbing Codes 248CMR shall be adhered to. Saddle valves are illegal and use is not permitted in Massachusetts. Consult with your licensed plumber.

8 FLUSH OUT THE TUBING

Turn the main water supply on and flush out the tubing until the water is clear.

Shut the water off at the water valve after about one quart (1 liter), or 2 minutes, of water has been flushed through the tubing.



To complete the installation of the refrigerator, go back to Step 12 in Installing the Refrigerator.

Normal Operating Conditions.

Newer refrigerators sound different from older refrigerators.
Modern refrigerators have more features and use newer technology.

Do you hear what I hear? These conditions are normal.

HUMMM...

WHOOSH...

- The new high efficiency compressor may run faster and longer than your old refrigerator and you may hear a high-pitched hum or pulsating sound while it is operating.
- You may hear a whooshing sound when the doors close. This is due to pressure equalizing within the refrigerator.
- After dispensing ice, a motor will close the ice chute to keep warm room air from entering the ice bucket, maintaining ice at a freezing temperature. The hum of the motor closing the ice chute is normal, shortly after dispensing ice.



- You may hear the fans spinning at high speeds. This happens when the refrigerator is first plugged in, when the doors are opened frequently or when a large amount of food is added to the refrigerator or freezer compartments. The fans are helping to maintain the correct temperatures.
- The fans change speeds in order to provide optimal cooling and energy savings.

CLICKS, POPS, CRACKS and SNAPS

- You may hear cracking or popping sounds when the refrigerator is first plugged in. This happens as the refrigerator cools to the correct temperature.
- The compressor may cause a clicking or chirping sound when attempting to restart (this could take up to 5 minutes).
- Expansion and contraction of cooling coils during and after defrost can cause a cracking or popping sound.
- On models with an icemaker, after an ice making cycle, you may hear the ice cubes dropping into the ice bucket.
- After dispensing ice, a motor will close the ice chute to keep warm room air from entering the ice bucket, maintaining ice at a freezing temperature.

WATER SOUNDS



- The flow of refrigerant through the cooling coils may make a gurgling noise like boiling water.
- Water dropping on the defrost heater can cause a sizzling, popping or buzzing sound during the defrost cycle.
- A water dripping noise may occur during the defrost cycle as ice melts from the evaporator and flows into the drain pan.
- Closing the door may cause a gurgling sound due to pressure equalization.

START UP COOLING

It can take up to 24 hours for the refrigerator and freezer temperatures to match the display. During that time refrigerator and freezer door openings should be minimized.

TIPS

- Freezer cools first.
- Refrigerator compartment cools last; it may take several hours after the freezer.
- Turning off icemaker makes both refrigerator and freezer food cool faster.

Troubleshooting Tips... Before you call for service

Save time and money! Review the charts on the following pages first and you may not need to schedule service.

Problem	Possible Causes	What to Do
Not filtering	Filter bypass installed	Install correct water filter
Reset Water Filter Water Filter Expired	Water filter leaking or needs replacing	Replace water filter, or install filter bypass* To reset filter timer, press the Settings (⚙️) button until "Icemaker" is highlighted, then hold down the Water and Ice buttons simultaneously for 3 seconds."
Water filter indicator light is not lit	This is normal. This indicator will turn on to tell you that you need to replace the filter soon.	See Water Filter for more information.
Handle is loose/handle has a gap.	Handle needs adjusting	See Installing the Refrigerator section for detailed instructions.
Refrigerator beeping	The door alarm is beeping	-Turn off or disable with door closed -If door open and alarm is sounding, you can only snooze the alarm
Refrigerator lights off and "SA" shown in display	Unit is in Sabbath mode	Simultaneously hold the Settings (⚙️) button, Water , and Light buttons for three seconds to exit Sabbath mode
Not cooling	The cooling system is off	See Controls.
Water has poor taste/odor	Water dispenser has not been used for a long time	Dispense water, until all water in system is replenished.
Water in glass is warm	Normal when refrigerator is first installed	Wait 24 hours for the refrigerator to completely cool down.
	Water dispenser has not been used for a long time	Dispense water, until all water in system is replenished
	Water system has drained	Allow several hours for replenished supply to chill
Water dispenser does not work	Water supply line turned off or not connected	See Installing the Water Line
	Water filter clogged or filter/bypass plug not installed	Replace filter cartridge or remove filter and install bypass plug*
	Air may be trapped in the water system	Press the dispenser arm for at least 5 minutes.
	Water in reservoir is frozen because the controls are set too cold	Set the refrigerator control to a warmer setting and wait 24 hours. If the water does not dispense after 24 hours, call for service
Water spurting from dispenser	Newly installed filter cartridge	Run water from the dispenser for 5 minutes (about 2 gallons)
No water or ice cube production	Supply line or shutoff valve is clogged	Call a plumber
	Water filter is clogged	Replace filter cartridge or remove filter and install bypass plug*
	Filter cartridge not properly installed	Remove and reinstall filter cartridge, being certain that it locks in place.
	Icemaker is turned off	Check that the icemaker is turned on. See Controls

*Some models do not come equipped with the filter bypass plug. To obtain a free bypass plug, visit cafeappliances.com.

Troubleshooting Tips... Before you call for service

Problem	Possible Causes	What to Do
Water is leaking from dispenser	Air may be present in the water line system, causing water to drip after being dispensed	Dispense water for at least 5 minutes to remove air from system
AUTO FILL under fill/no fill	Not all containers work with AutoFill	Try different container
	Error message	See page 12
		Clean sensor. See page 12
AUTO FILL overfills	Not all containers work with AutoFill	Try different container Use less ice Ensure hands are away from the cup prior to pressing the AutoFill key
Freezer cooling, refrigerator not cooling	Normal, when refrigerator first plugged in or after extended power outage	Wait 24 hours for temperature in both compartments to reach selected temperatures.
Ice dispenser opens after closing freezer drawer	Normal	The ice dispenser door may open after closing freezer door to allow access
My refrigerator door squeaks	Diminished lubricant because of accidental cleaning of the lubricant on the hinge	It is best to order GEA lubricant service part number WR97X166 and apply on the hinge at specified location. It is possible to spray some non-toxic lubricant such as silicone based non-stick cooking spray, petroleum jelly or NSF approved food grade lubricants. IMPORTANT: Do not use WD-40 as it will remove any remaining grease in or around the hinge
	Improper leveling	Make sure the unit is leveled
	If doors were removed and re-assembled during installation process, waterline and/harness under Top Hinge cover may get out of position and rub against door while door swivels.	Remove the Top Hinge cover and make sure the waterline and harness that passes through the hinge pin has been properly seated and does not touch the any of the door parts during rotation. Applying some food grade lubricant around door thimble area will also help.

*Some models do not come equipped with the filter bypass plug. To obtain a free bypass plug, visit cafeappliances.com.

Truth or Myth

SERVICE

Save time and money! Review the charts on the following pages first and you may not need to schedule service.

Truth or Myth

Truth or Myth?	Answer	Explanation
The refrigerator water filter may require replacement, even though the filter indicator has not turned red, or reads "Filter Expired."	TRUE	The water filter indicator will indicate the need to replace the water filter every six months. Water quality varies from city to city; if water flow from the dispenser slows, or ice production decreases, the water filter should be replaced, even though the filter indicator may not indicate the need for replacement.
The automatic ice maker in my refrigerator will produce ice when the refrigerator is plugged in to a power receptacle.	MYTH	The refrigerator must be connected to water, and the ice maker must be turned on. Make sure the ice maker is turned on, only after the water line is connected and water is turned on. The ice maker can be turned on/off from the controls and ensure the ice maker is on, as indicated on the refrigerator control panel. See Automatic Ice Maker section in the full owner's manual available online.
After the refrigerator has been plugged in and connected to water, I will immediately have unlimited chilled water available from the water dispenser.	MYTH	The water dispenser tank located inside the refrigerator stores water for dispensing. The water in this tank requires 24 hours to chill after installation. High usage conditions will not allow time for the water to chill.
After water dispenses, a few drops of water are normal.	TRUE	A few drops of water may fall from the dispenser, after the dispenser paddle has been released. To minimize the drops, remove the glass slowly from the dispenser.
I will never see frost inside the freezer compartment.	MYTH	Frost inside the freezer typically indicates that the door is not properly sealed, or has been left open. If frost is found, clear the frost using a plastic spatula and towel, then check to ensure that no food packages or containers are preventing the freezer door from closing. Check the refrigerator control panel to ensure the door alarm is on.
When the refrigerator is installed, or after replacing the water filter, I must dispense water for five minutes.	TRUE	A newly installed refrigerator or water filter contains air in the water lines. Press the dispenser paddle and dispense cold water for at least 5 minutes to remove air from the water line, and flush the filter.
To fill the ice bucket to the maximum capacity, I should dispense 12 and 18 hours after installation.	TRUE	Dispensing 3-4 cubes 12 hours and 18 hours after installation, allows ice to disperse within the ice bucket, which in turns calls on the ice maker to produce additional ice. Normal ice production = 100 cubes in 24 hours.
I can use the water filter bypass plug to determine if the filter requires replacement.	TRUE	Decrease in flow from the water dispenser, or decreased ice production, may indicate the need to replace the water filter. Install the water filter bypass plug (provided with the refrigerator on some models*), and check flow from the dispenser. If water flow returns to normal with the bypass plug in place, replace the water filter.
The top of the refrigerator doors will always be aligned.	MYTH	Several things can affect the refrigerator door alignment, including the floor the refrigerator is installed on and loading of doors. If the top of the refrigerator doors are not aligned, use a 1/4" allen wrench to adjust the right/left hand door. The adjustment screw is located on the bottom right or left hand side of the door. Refrigerator doors should be open during height adjustment. Open the freezer door to access the screw. See Step 15.
Refrigerator door handles can be easily tightened.	TRUE	If door handles are loose or have a gap, the handle can be adjusted using a 1/8" allen wrench, on set screws located on the ends of the handles.
There may be odor and taste problems with your ice.	TRUE	After starting the ice maker throw away 24 hours of ice production to avoid odor and taste problems.
I can make fine adjustments to the refrigerator doors to align them.	TRUE	If the refrigerator doors are not aligned, use a 1/4" Allen wrench to adjust the right hand door. The adjustment screw is located on the bottom of the right door. Open the freezer door to access. See step 15.

Truth or Myth

SERVICE

Save time and money! Review the charts on the following pages first and you may not need to schedule service.

Truth or Myth

Truth or Myth?	Answer	Explanation
Door handles should always be removed for installation.	MYTH	Check chart on reverse side of this instruction. If the doors must be removed do not remove the handles, or if the refrigerator will fit easily through the passage way opening. Adjust handles that are loose or have a gap, by adjusting 1/8" set screws on either end of handles.
Door removal is always required for installation.	MYTH	Check chart on reverse side of this instruction. Doors should only be removed when necessary to prevent damage from passage way or access to final location.
Refrigerator doors will self-close if left open.	MYTH	Refrigerator doors need to be closed by consumer. A gentle bounce back is a designed feature on some models that gives a positive feedback to the user so that they can initiate and complete the door closing action.
There is an adjustment to rear wheels.	MYTH	Front leveling legs are adjustable and should be used to balance the refrigerator. Leveling legs are used to make initial refrigerator door adjustment.
Check for leaks after all water connections are made.	TRUE	While purging the air from the water system, check all water line connections for leaks. Check the connection to the household water supply at back of refrigerator, and door water line connect.
Any packaging residue can be cleaned off the refrigerator using any cleaner.	MYTH	Do not use wax, polish, bleach, or other products containing chlorine on Stainless Steel panels, door handles and trim. Check this instruction under "Cleaning the Outside" for full details.

*Some models do not come equipped with the filter bypass plug. To obtain a free bypass plug, visit cafeappliances.com.

Café Appliances Refrigerator Limited Warranty

cafeappliances.com

All warranty service is provided by our Factory Service Centers, or an authorized service technician. To schedule service online, visit us at **cafeappliances.com/service**. Please have your serial number and your model number available when scheduling service. In Canada, visit **cafeappliances.ca/service**.

Servicing your refrigerator may require the use of the onboard data port for diagnostics. This gives a Café Factory Service technician the ability to quickly diagnose any issues with your appliance and helps Café improve its products by providing Café with information on your appliance. If you do not want your appliance data to be sent to Café, please advise your technician NOT to submit the data to Café at the time of service.

For the Period of:	Café Will Replace
One Year From the date of the original purchase	Any part of the refrigerator which fails due to a defect in materials or workmanship. During the limited one-year warranty , Café will also provide, free of charge , all labor and related service to replace the defective part.
Thirty Days (Water filter, if included) From the original purchase date of the refrigerator	Any part of the water filter cartridge which fails due to a defect in materials or workmanship. During this limited thirty-day warranty , Café will also provide, free of charge , a replacement water filter cartridge.
Five Years From the date of the purchase	Any part of the sealed refrigerating system (the compressor, condenser, evaporator and all connecting tubing) which fails due to a defect in materials or workmanship. During this limited five-year sealed refrigerating system warranty , Café will also provide, free of charge , all labor and related service to replace the defective part in the sealed refrigerating system.

What Café Will Not Cover:

- Service trips to your home to teach you how to use the product.
- Improper installation, delivery or maintenance.
- Failure of the product if it is abused, misused, or used for other than the intended purpose or used commercially.
- Loss of food due to spoilage.
- Replacement of house fuses or resetting of circuit breakers.
- Damage to finish, such as surface rust, tarnish, or small blemishes not reported within 48 hours of delivery.
- Replacement of the water filter cartridge, if included, due to water pressure that is outside the specified operating range or due to excessive sediment in the water supply.
- Replacement of the light bulbs, if included, or water filter cartridge, if included, other than as noted above.
- Damage to the product caused by accident, fire, floods or acts of God.
- Incidental or consequential damage caused by possible defects with this appliance.
- Product not accessible to provide required service.
- Damage caused by a non-GE Appliances Brand water filter.

EXCLUSION OF IMPLIED WARRANTIES

Your sole and exclusive remedy is product repair as provided in this Limited Warranty. Any implied warranties, including the implied warranties of merchantability or fitness for a particular purpose, are limited to one year or the shortest period allowed by law.

For US Customers: This limited warranty is extended to the original purchaser and any succeeding owner for products purchased for home use within the USA. If the product is located in an area where service by a Café Authorized Servicer is not available, you may be responsible for a trip charge or you may be required to bring the product to an Authorized **Café** Service location for service. In Alaska, the limited warranty excludes the cost of shipping or service calls to your home.

Some states do not allow the exclusion or limitation of incidental or consequential damages. This limited warranty gives you specific legal rights, and you may also have other rights which vary from state to state. To know what your legal rights are, consult your local or state consumer affairs office or your state's Attorney General.

Warrantor: GE Appliances, a Haier company
Louisville, KY 40225

For Customers in Canada: This limited warranty is extended to the original purchaser and any succeeding owner for products purchased in Canada for home use within Canada. In-home warrant service will be provided in areas where it is available and deemed reasonable by Mabe to provide.

Warrantor Canada: MC Commercial, Inc., Burlington, Ontario, L7R 5B6

Staple your receipt here. Proof of the original purchase date is needed to obtain service under the warranty.

XWF Water Filter Cartridge Limited Warranty

Contact us at geapplianceparts.com.

For the period of	GE Appliances will replace
Thirty Days From the date of the original purchase	Any part of the water filter cartridge which fails due to a defect in materials or workmanship during this limited thirty-day warranty .*

What GE Appliances will not cover:

- Service trips to your home to teach you how to use the product.
- Improper installation.
- Failure of the product if it is abused, misused, used for other than the intended purpose or used commercially.
- Replacement of house fuses or resetting of circuit breakers.
- Damage to the product caused by accident, fire, floods, or acts of God.
- Incidental or consequential damage caused by possible defects with this appliance.

EXCLUSION OF IMPLIED WARRANTIES

Your sole and exclusive remedy is part exchange as provided in this Limited Warranty. Any implied warranties, including the implied warranties of merchantability or fitness for a particular purpose, are limited to six months or the shortest period allowed by law.

This warranty is extended to the original purchaser and any succeeding owner for products purchased for home use within the USA. In Alaska, the warranty excludes the cost of shipping or service calls to your home.

Some states do not allow the exclusion or limitation of incidental or consequential damages. This warranty gives you specific legal rights, and you may also have other rights which vary from state to state. To know what your legal rights are, consult your local or state consumer affairs office or your state's Attorney General.

For Purchases Made In Iowa: This form must be signed and dated by the buyer and seller prior to the consummation of this sale.

This form should be retained on file by the seller for a minimum of two years.

Buyer:

Name _____
Address _____
City _____ State _____ Zip _____
Signature _____ Date _____

Seller:

Name _____
Address _____
City _____ State _____ Zip _____
Signature _____ Date _____

*If your GE Appliances part fails because of a manufacturing defect within thirty days from the date of original purchase for use, we will give you a new or, at our option, a rebuilt part without charge. Return the defective part to the parts supplier from whom it was purchased together with a copy of the "proof of purchase" for the part. If the part is defective and shows no signs of abuse, it will be exchanged. The warranty does not cover the failure of parts which are damaged while in your possession, are abused, or have been installed improperly. It does not cover the cost of returning the part to the supplier from whom it was purchased nor does it cover the cost of labor to remove or install it to diagnose the fault. It does not cover parts used in products in commercial use except in the case of air conditioning equipment. In no event shall GE Appliances be liable for consequential damages. Warrantor: GE Appliances, a Haier company

Staple your receipt here. Proof of the original purchase date is needed to obtain service under the warranty.

Performance Data Sheet

Model: GE Appliances XWF

- System certified by IAPMO R&T against NSF/ANSI Standards 42, 53, 401 for the reduction of claims specified on the performance data sheet and at iapmort.org.
- Actual performance may vary with local water conditions.

Substance Tested for Reduction	Influent challenge concentration (mg/L)	Maximum permissible product water concentration (mg/L)	Avg % Reduction
Chlorine Taste and Odor	2.0 mg/L +/- 10%	N/A	96.9
Chloramine Taste and Odor	3.0 mg/L +/- 10%	0.5	96.9
Particulate, Class I	At least 10,000/mL	N/A	91.4
Cysts	50,000/L	N/A	>99.99
Lead	0.15	0.01	98.85
Mercury	0.006	0.002	96.3
Asbestos	107 to 108 fibers/ L	N/A	>99
Toxaphene	0.015 +/- 10%	0.003	86.95
VOC (Chloroform surrogate chemical)	0.300	0.015	99.7
Alachlor	0.050	0.001	> 98
Atrazine	0.100	0.003	> 97
Benzene	0.081	0.001	> 99
Carbofuran	0.190	0.001	> 99
carbon tetrachloride	0.078	0.0018	98
chlorobenzene	0.077	0.001	> 99
chloropicrin	0.015	0.0002	99
2,4-D	0.110	0.0017	98
dibromochloropropane (DBCP)	0.052	0.00002	> 99
o-Dichlorobenzene	0.08	0.001	> 99
p-Dichlorobenzene	0.040	0.001	> 98
1,2-dichloroethane	0.088	0.0048	95
1,1-dichloroethylene	0.083	0.001	> 99
cis-1,2-dichloroethylene	0.170	0.0005	> 99
trans-1,2-dichloroethylene	0.086	0.001	> 99
1,2-dichloropropane	0.080	0.001	> 99
cis-1,3-dichloropropylene	0.079	0.001	> 99
dinoseb	0.170	0.0002	99
Endrin	0.053	0.00059	99
Ethylbenzene	0.088	0.001	> 99
ethylene dibromide (EDB)	0.044	0.00002	> 99
bromochloroacetonitrile	0.022	0.0005	98
dibromoacetonitrile	0.024	0.0006	98
dichloroacetonitrile	0.0096	0.0002	98
trichloroacetonitrile	0.015	0.0003	98
1,1-dichloro-2-propanone	0.0072	0.0001	99
1,1,1-trichloro-2-propanone	0.0082	0.0003	96
heptachlor (H-34, Heptox)	0.025	0.00001	>99
heptachlor epoxide	0.0107	0.0002	98
hexachlorobutadiene	0.044	0.001	> 98
hexachlorocyclopentadiene	0.060	0.000002	> 99
Lindane	0.055	0.00001	> 99
methoxychlor	0.050	0.0001	> 99
pentachlorophenol	0.096	0.001	> 99
simazine	0.120	0.004	> 97
Styrene	0.150	0.0005	> 99
1,1,2,2-tetrachloroethane	0.081	0.001	> 99
Tetrachloroethylene	0.081	0.001	> 99
Toluene	0.078	0.001	> 99
2,4,5-TP (silvex)	0.270	0.0016	99
tribromoacetic acid	0.042	0.001	> 98
1,2,4-Trichlorobenzene	0.160	0.0005	> 99
1,1,1-trichloroethane	0.084	0.0046	95
1,1,2-trichloroethane	0.150	0.0005	> 99
trichloroethylene	0.180	0.0010	> 99
bromoform	0.300	0.015	95
bromodichloromethane	0.300	0.015	95
chlorodibromomethane	0.300	0.015	95
xylene	0.070	0.001	>99
Meprobamate	400 +/- 20%	60	95.5
Atenolol	200 +/- 20%	30	95.9
Carbamazepine	1400 +/- 20%	200	98.6
DEET	1400 +/- 20%	200	98.6
Metolachlor	1400 +/- 20%	200	98.7
Trimethoprim	140 +/- 20%	20	96.1
Linuron	140 +/- 20%	20	96.6
TCEP	5000 +/- 20%	700	98.1
TCPP	5000 +/- 20%	700	98.1
Phenytol	200 +/- 20%	30	96
Ibuprofen	400 +/- 20%	60	95.9
Naproxen	140 +/- 20%	20	96.5
Estrone	140 +/- 20%	20	97.1
Bisphenol A	2000 +/- 20%	300	99.1
Nonyl phenol	1400 +/- 20%	200	97.3

Application Guidelines/Water Supply Parameters

Service Flow	0.5 gpm (1.89 lpm)
Water Supply	Potable Water
Water Pressure	25-120 psi (172-827 kPa)
Water Temperature	33°F-100°F (0.6°C-38°C)
Capacity	170 gallons (643.5 liters)

It is essential that the manufacturer's recommended installation, maintenance and filter replacement requirements be carried out for the product to perform as advertised. See Installation Manual for Warranty information.

NOTE: While the testing was performed under standard laboratory conditions, actual performance may vary. Replacement Cartridge: XWF. For estimated costs of replacement elements please visit our website at gewaterfilters.com.

⚠ WARNING To reduce the risk associated with ingestion of contaminants:

- Do not use with water that is microbiologically unsafe or of unknown quality without adequate disinfection before and after the system. Systems certified for cyst reduction may be used on disinfected water that may contain filterable cysts.

NOTICE

To reduce the risk of water leakage or flooding, and to ensure optimal filter performance:

- Read and follow use instructions before installation and use of this system.
- Installation and use **MUST** comply with all state and local plumbing codes.
- Do not install if water pressure exceeds 120 psi (827 kPa). If your water pressure exceeds 80 psi (552 kPa), you **must** install a pressure-limiting valve. Contact a plumbing professional if you are uncertain how to check your water pressure.
- Do not install where water hammer conditions may occur. If water hammer conditions exist you **must** install a water hammer arrester. Contact a plumbing professional if you are uncertain how to check for this condition.
- Do not install on hot water supply lines. The maximum operating water temperature of this filter system is 100° F (38° C).
- Protect filter from freezing. Drain filter when temperatures drop below 33°F (0.6°C).
- Change the disposable filter cartridge every six months or sooner if you observe a noticeable reduction in water flow rate.
- Failure to replace the disposable filter cartridge at recommended intervals may lead to reduced filter performance and cracks in the filter housing, causing water leakage or flooding.
- This System has been tested according to NSF/ANSI 42, 53 and 401 for the reduction of the substances listed below. The concentration of the indicated substances in water entering the system was reduced to a concentration less than or equal to the permissible limit for water leaving the system, as specified in NSF/ANSI 42, 53 and 401.



XWF System is certified by IAPMO R&T against NSF/ANSI Standards 42, 53, and 401 for the reduction of claims specified on the performance data sheet and at iapmort.org.

Notes

Consumer Support

Café Website

Have a question or need assistance with your appliance? Try the Café website 24 hours a day, any day of the year! You can also shop for more great Café products and take advantage of all our on-line support services designed for your convenience. In the US: cafeappliances.com In Canada: cafeappliances.ca

Register Your Appliance

Register your new appliance on-line at your convenience! Timely product registration will allow for enhanced communication and prompt service under the terms of your warranty, should the need arise. You may also mail in the pre-printed registration card included in the packing material. In the US: cafeappliances.com/register
In Canada: cafeappliances.ca/registration

Schedule Service

Expert Café repair service is only one step away from your door. Get on-line and schedule your service at your convenience any day of the year. In the US: cafeappliances.com/service In Canada: cafeappliances.ca/service

Extended Warranties

Purchase a Café extended warranty and learn about special discounts that are available while your warranty is still in effect. You can purchase it on-line anytime. Café Service will still be there after your warranty expires.
In the US: cafeappliances.com/extended-warranty In Canada: cafeappliances.ca/extended-warranty

Parts and Accessories

Individuals qualified to service their own appliances can have parts or accessories sent directly to their homes (VISA, MasterCard and Discover cards are accepted). Order on-line today 24 hours every day.
In the US: cafeappliances.com/parts

Instructions contained in this manual cover procedures to be performed by any user. Other servicing generally should be referred to qualified service personnel. Caution must be exercised, since improper servicing may cause unsafe operation.

Customers in Canada should consult the yellow pages for the nearest Mabe service center, visit our website at cafeappliances.com/parts

Contact Us

If you are not satisfied with the service you receive from Café, contact us on our website with all the details including your phone number, or write to:

In the US: General Manager, Customer Relations | Café Appliances, Appliance Park | Louisville, KY 40225
cafeappliances.com/contact

In Canada: Director, Consumer Relations, Mabe Canada Inc. | Suite 310, 1 Factory Lane | Moncton, N.B. E1C 9M3
cafeappliances.ca/contact



DISTINCT BY DESIGN™

Manuel d'utilisation et d'installation

Congélateur au bas réfrigérateurs

Modelos CVE y CQE

Contents

Consignes de sécurité	3	Conseils de dépannage	41
Consignes d'utilisation		Fonctionnement normal	41
Fonctions	6	Conseils de dépannage	42
Commandes	9	Entretien - Mythe ou réalité	44
Distributeur	12	Garantie limitée	46
Autofill (Remplissage automatique)	12	Assistance à la clientèle	
WiFi	13	Certificat de garantie du filtre à eau 42	
Réponse à la demande	14	à cartouche XWF	47
Filtre à eau	15	Données de performance	48
Stockage du réfrigérateur	16	Assistance à la clientèle	50
Machine à glaçons automatique	21		
Entretien et nettoyage	22		
Remplacement des ampoules	23		
Instructions d'installation			
Préparation avant installation du réfrigérateur	24		
Installation du réfrigérateur	28		
Installation de l'alimentation en eau	38		

Transcrivez les numéros de modèle et de série ici :

Numéro de modèle : _____

Numéro de série : _____

Vous trouverez ces numéros sur l'étiquette apposée sur le côté gauche à mi-hauteur du compartiment de réfrigération.

FRANÇAIS

NOUS VOUS REMERCIONS D'ACCUEILLIR CAFÉ CHEZ VOUS

Nous sommes fiers du savoir-faire, de l'innovation et de l'esthétique qui composent chaque appareil Café, et nous pensons que vous le serez aussi. Dans cette optique, nous vous rappelons que l'enregistrement de votre électroménager vous assure la communication de renseignements importants sur le produit et la garantie lorsque vous en avez besoin.

Enregistrez votre électroménager Café en ligne dès maintenant. Des sites Web utiles figurent dans la section Soutien au consommateur de ce manuel d'utilisation. Vous pouvez aussi poster la fiche de garantie pré-imprimée incluse dans l'emballage.

C A F É

DISTINCT BY DESIGN™

INFORMATION DE SÉCURITÉ IMPORTANTES

LISEZ TOUTES LES DIRECTIVES AVANT D'UTILISER L'APPAREIL

⚠ AVERTISSEMENT Pour réduire le risque d'incendie, d'explosion, de choc électrique ou de blessures lorsque vous utilisez votre réfrigérateur, veuillez suivre ces consignes de sécurité :

- Ce réfrigérateur doit être correctement installé conformément aux Consignes d'Installation avant toute utilisation.
- Débranchez le réfrigérateur avant d'effectuer une réparation ou de le nettoyer.
Remarque : L'alimentation du réfrigérateur ne peut être déconnectée par aucune des fonctions sur le panneau de commande.
Remarque : Les réparations doivent être effectuées par un professionnel qualifié.
- Remettez toutes les pièces et panneaux en place avant d'utiliser l'appareil.
- N'utilisez pas un cordon de rallonge.
- Gardez les matériaux et vapeurs inflammables loin du réfrigérateur.
- N'entreposez pas dans cet électroménager des substances explosives telles que des bombes aérosols qui contiennent un gaz propulseur.
- Pour éviter les risques d'asphyxie et d'enfermement pour les enfants. Démontez les portes du congélateur et du compartiment de réfrigération avant de le mettre au rebut ou d'interrompre son utilisation.
- Afin de prévenir les accidents graves ou la mort, les enfants ne doivent pas se tenir ni jouer dans ou sur l'électroménager.
- Les enfants et les personnes dont les capacités sont réduites sur le plan physique, sensoriel ou mental, ou qui manquent d'expérience ou de connaissances, peuvent utiliser cet électroménager seulement si elles sont surveillées ou ont reçues des consignes de sécurité sur son usage et les risques y sont associés.
- Cet électroménager est conçu pour une utilisation domestique et applications similaires : salle du personnel dans une usine, un bureau ou d'autres lieux de travail; maison de ferme; clients dans un hôtel, un motel, un gîte touristique et d'autres lieux résidentiels; approvisionnement et applications similaires non reliées au commerce de détail.
- Raccordez-vous à une alimentation en eau potable seulement. Une alimentation en eau potable est requise pour le fonctionnement de la machine à glaçons. La pression d'eau doit se situer entre 40 et 120 psi (275 à 827 kilopascals).
- N'appliquez pas de nettoyants corrosifs sur le réfrigérateur. Certains nettoyants endommagent le plastique et peuvent ainsi causer le détachement inopiné de pièces telles que porte ou poignées de porte. Voyez la section Entretien et nettoyage pour des instructions détaillées.

⚠ ATTENTION Pour réduire le risque de blessures lorsque vous utilisez votre réfrigérateur, veuillez suivre ces consignes de sécurité.

- Ne nettoyez pas les clayettes ou les couvercles en verre avec de l'eau tiède quand ceux-ci sont froids. Les clayettes et couvercles en verre peuvent se casser s'ils sont exposés à des changements soudains de température ou si vous les cognez ou les faites tomber. Le verre trempé est conçu pour se briser en petits morceaux en cas de casse.
- Éloignez les doigts des parties du congélateur où l'on peut facilement se pincer : les espaces entre les portes, et entre les portes et les placards sont toujours étroits. Soyez prudent lorsque vous fermez les portes en présence d'enfants.
- Ne recongelez pas les aliments surgelés qui ont complètement dégelé.
- Ne touchez pas les surfaces froides du congélateur lorsque vous avez les mains humides ou mouillées. La peau risque d'adhérer à ces surfaces extrêmement froides.
- Si votre réfrigérateur est doté d'une machine à glaçons automatique, évitez le contact avec les pièces mobiles du mécanisme éjecteur, ou avec l'élément chauffant qui libère les glaçons. Ne posez pas les doigts ou les mains sur le mécanisme de la machine à glaçons automatique pendant que le réfrigérateur est branché.

⚠ AVERTISSEMENT  **RISQUE D'INCENDIE OU D'EXPLOSION**

Conservez les matériaux et les vapeurs inflammables à l'écart du réfrigérateur. Une explosion, un incendie voire la mort pourrait en résulter.

LIRE ET CONSERVER CES INSTRUCTIONS

INFORMATION DE SÉCURITÉ IMPORTANTES

LISEZ TOUTES LES DIRECTIVES AVANT D'UTILISER L'APPAREIL

AVERTISSEMENT



RISQUE D'INCENDIE OU D'EXPLOSION

Fluide frigorigène inflammable

Cet électroménager contient le réfrigérant isobutane, aussi connu comme R600a, un gaz naturel à compatibilité élevée avec l'environnement. Il s'agit cependant d'un combustible. Observez les consignes de sécurité ci-dessous afin de réduire le risque de blessure ou de dommage à la propriété.

1. Lors de la manipulation, de l'installation et de l'utilisation de cet appareil, prenez soin de ne pas endommager les tubes de circulation du fluide frigorigène.
2. L'entretien ou la réparation doivent être effectués par un personnel de service autorisé. Utilisez seulement des pièces de rechange autorisées par le fabricant.
3. Mettez le réfrigérateur au rebut conformément aux réglementations fédérales et locales. Le fluide frigorigène inflammable et le matériel isolant utilisés nécessitent des procédures de mise au rebut spéciales. Communiquez avec les autorités locales compétentes pour la mise au rebut de votre réfrigérateur sans danger pour l'environnement.
4. N'obstruez pas les événements dans l'enceinte prévue pour l'appareil.
5. Pour retirer le givre, grattez à l'aide d'un grattoir ou d'une spatule en plastique ou en bois. N'utilisez pas un pic à glace ni un instrument métallique ou aux arêtes coupantes car il y a risque de percer la doublure du congélateur et la tubulure du réfrigérant inflammable derrière elle.
6. N'utilisez pas d'appareils électriques dans le compartiment réfrigérateur de cet appareil.
7. N'utilisez aucun appareil électrique pour dégivrer votre congélateur.

BRANCHEMENTS ÉLECTRIQUES

AVERTISSEMENT



RISQUE DE CHOC ÉLECTRIQUE

Branchez l'appareil dans une prise triple avec terre.

Ne retirez pas la broche de terre.

N'utilisez pas d'adaptateur.

N'utilisez pas un cordon de rallonge.

Le non-respect de ces instructions peut entraîner des risques d'incendies, des chocs électriques ou la mort.

Ne coupez pas ou n'enlevez pas, sous aucun prétexte, la troisième broche de mise à la terre du cordon d'alimentation. Pour des raisons de sécurité, cet appareil doit être correctement mis à la terre.

Le cordon d'alimentation de cet appareil est équipé d'une fiche à trois broches (pour une mise à la terre) qui s'adapte à la prise de courant standard à 3 broches (pour une mise à la terre) pour minimiser les risques de chocs électriques par cet appareil.

Faites vérifier la prise murale et le circuit électrique par un électricien qualifié pour s'assurer que le système est correctement mis à la terre.

Dans le cas d'une prise biphasée, l'installateur a la responsabilité et l'obligation de la remplacer par une prise triphasée correctement mise à la terre. N'utilisez pas d'adaptateur.

Le réfrigérateur doit toujours être branché à sa propre prise électrique d'une tension nominale correspondant à celle indiquée sur sa plaque signalétique.

Une alimentation électrique à 115 volts CA, 60 Hz, avec un fusible de 15 ou 20 ampères et une mise à la terre est nécessaire. Ceci permet d'obtenir un meilleur rendement et évite de surcharger les circuits électriques du domicile qui risque d'occasionner un incendie en surchauffant.

Ne débranchez jamais le réfrigérateur en tirant sur le cordon d'alimentation. Prenez toujours fermement la fiche en main et tirez pour la sortir de la prise.

Réparez ou remplacez immédiatement tout cordon électrique usé ou endommagé. N'utilisez pas un cordon fissuré ou présentant des dommages dus aux frottements soit sur sa longueur ou aux extrémités.

Lorsque vous éloignez votre réfrigérateur du mur, faites attention à ne pas le faire rouler sur le cordon d'alimentation afin de ne pas l'endommager.

LIRE ET CONSERVER CES INSTRUCTIONS

INFORMATION DE SÉCURITÉ IMPORTANTES

LISEZ TOUTES LES DIRECTIVES AVANT D'UTILISER L'APPAREIL

MISE AU REBUT APPROPRIÉE DE VOTRE ANCIEN RÉFRIGÉRATEUR

⚠ DANGER RISQUE DE SUFFOQUER OU D'Y ÊTRE EMPRISONNÉ

Le non-respect de ces instructions d'élimination peut entraîner la mort ou des blessures graves.

IMPORTANT: Les enfants pris au piège ou morts d'asphyxie sont toujours d'actualité. Les réfrigérateurs et congélateurs abandonnés sont toujours aussi dangereux, même si on n'attend que «quelques jours» pour s'en débarrasser. Si vous ne gardez pas votre ancien réfrigérateur ou congélateur, veuillez suivre les directives ci-dessous afin de prévenir les accidents.

Avant de vous débarrasser de votre ancien appareil :

- Démontez les portes du compartiment de réfrigération et du compartiment de congélation.
- Laissez les clayettes en place afin d'empêcher les enfants de grimper à l'intérieur.

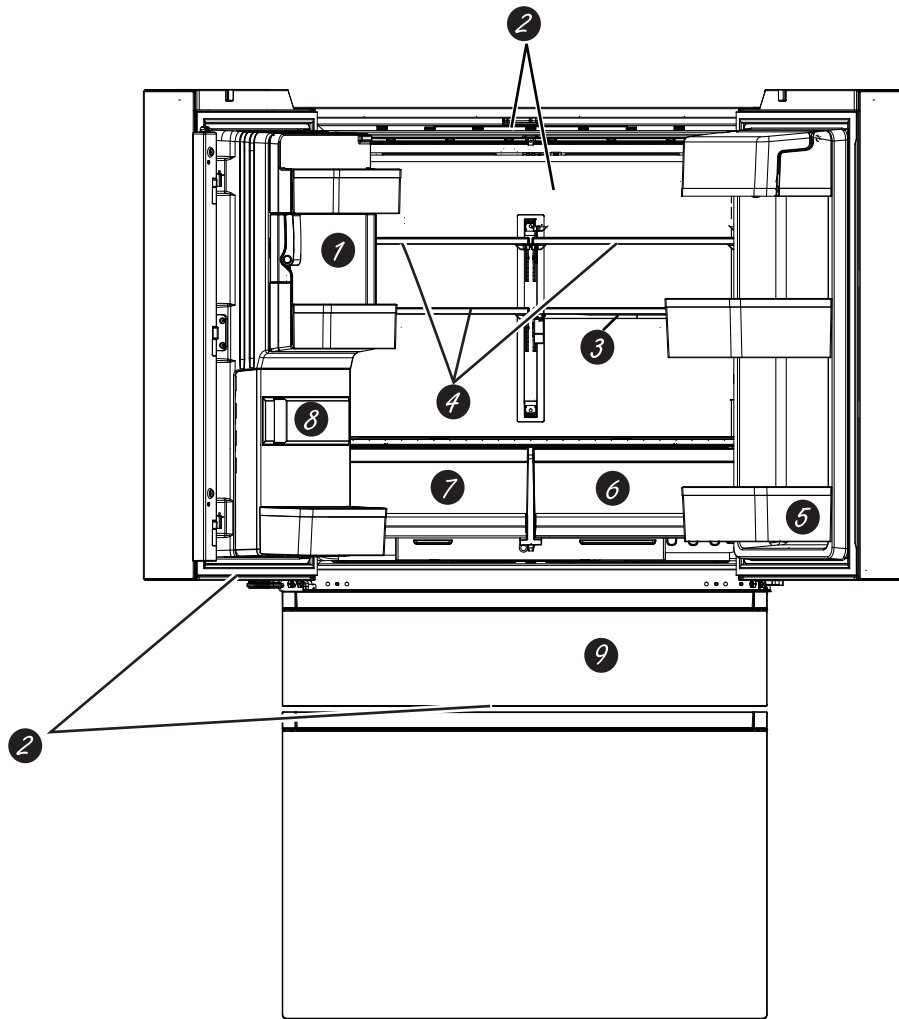
Mise au rebut des produits réfrigérants et en mousse

Mettez l'électroménager au rebut conformément à la réglementation fédérale et locale. Le réfrigérant inflammable ainsi que le matériau d'isolation utilisés exigent des procédures d'élimination particulières. Communiquez avec les autorités locales pour connaître la façon de mettre votre électroménager au rebut qui soit respectueuse de l'environnement.

LIRE ET CONSERVER CES INSTRUCTIONS

Fonctions

Modèle CVE



1 Machine à glaçons à faible encombrement

La machine à glaçons et son bac sont situés sur la porte permettant d'avoir un espace de stockage plus spacieux.

2 Éclairage DEL général

L'éclairage à DEL est placé dans tout le compartiment pour éclairer différentes zones du réfrigérateur. Des DEL sont situées sous la porte réfrigérateur afin d'éclairer le tiroir convertibles, et des DEL se trouvent sous le tiroir convertibles pour éclairer le tiroir congélateur.

3 Clayette QuickSpace™

Elle s'utilise comme une clayette normale de pleine largeur. Elle se glisse vers l'arrière pour stocker des produits hauts.

4 Clayettes anti-débordements

Conçues pour empêcher les aliments renversés de couler et permettre ainsi un nettoyage facile.

5 Balconnet amovible

On peut le retirer lorsque l'ouverture de porte est limitée par un mur.

6 SCC (système à contrôle climatique)

Des bacs SCC étanches prolongent la conservation des fruits et légumes frais en maintenant l'humidité.

7 Bac ventilé

Un bac ventilé pour ranger les fruits et légumes.

8 Filtre à eau

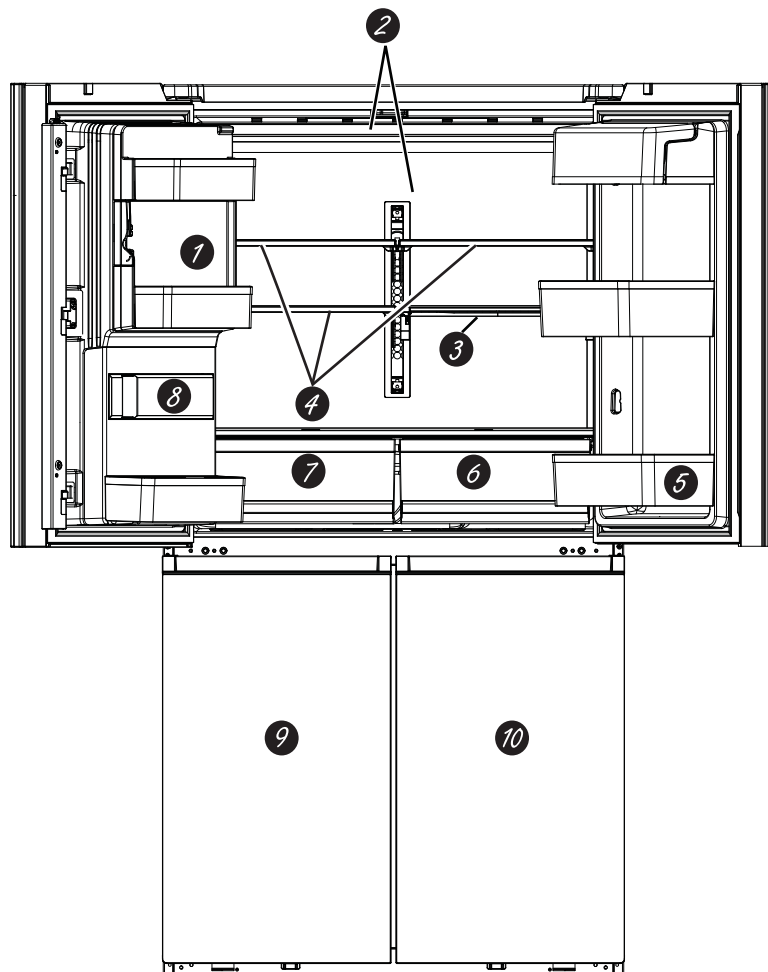
Filtre l'eau et l'eau destinée à se transformer en glace.

9 Tiroir convertibles

Réglez la meilleure température pour ranger vos aliments.

Fonctions

Modèle CQE

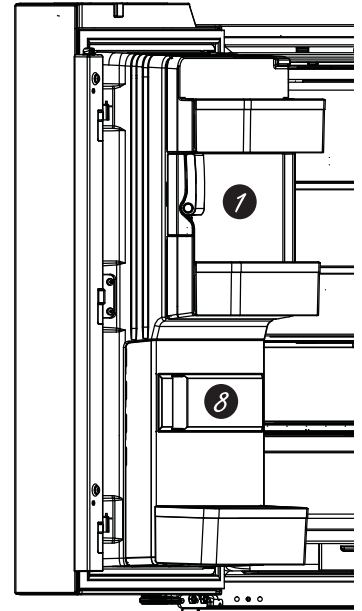
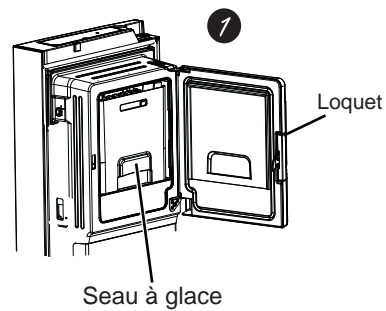


- 1 Machine à glaçons à faible encombrement**
La machine à glaçons et son bac sont situés sur la porte permettant d'avoir un espace de stockage plus spacieux.
- 2 Éclairage DEL général**
L'éclairage à DEL est placé dans tout le compartiment pour éclairer différentes zones du réfrigérateur.
- 3 Clayette QuickSpace™**
Elle s'utilise comme une clayette normale de pleine largeur. Elle se glisse vers l'arrière pour stocker des produits hauts.
- 4 Clayettes anti-débordements**
Conçues pour empêcher les aliments renversés de couler et permettre ainsi un nettoyage facile.
- 5 Balconnet amovible**
On peut le retirer lorsque l'ouverture de porte est limitée par un mur.
- 6 SCC (système à contrôle climatique)**
Des bacs SCC étanches prolongent la conservation des fruits et légumes frais en maintenant l'humidité.
- 7 Bac ventilé**
Un bac ventilé pour ranger les fruits et légumes.
- 8 Filtre à eau**
Filtre l'eau et l'eau destinée à se transformer en glace.
- 9 Congélateur**
Compartiment de stockage de vos aliments congelés. Les balconnets du centre et du bas de la porte sont inclinables pour faciliter l'accès.
- 10 Zone convertible**
Compartiment pour stocker les aliments congelés, frais ou le vin.

Fonctions

Bac à glace de porte

1. Ouvrez la porte gauche du compartiment de réfrigération.
2. Tirez le loquet vers le bas pour ouvrir la porte du bac.
3. A l'aide de la poignée, soulevez le seau à glace pour libérer les repères au fond du bac.
4. Pour remettre le seau à glace, placez-le sur les guides et enfoncez-le jusqu'à ce qu'il soit correctement en place.
5. Si vous n'arrivez pas à le remettre, faites tourner la fourche d'1/4 de tour dans le sens des aiguilles d'une montre.

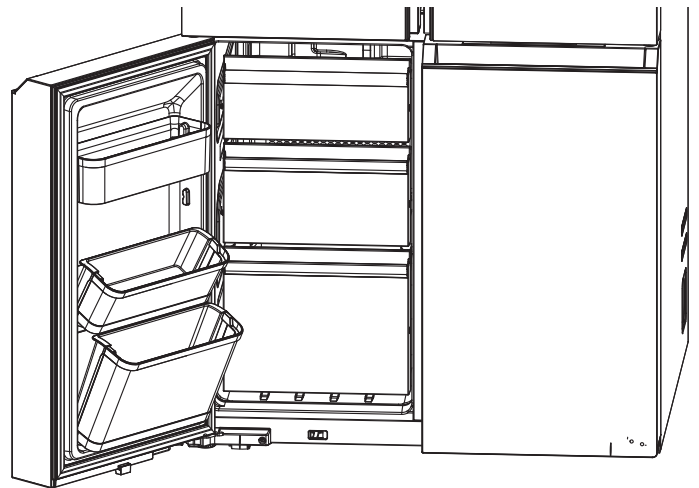


Filtre à eau/à glace

Certifié pour la réduction des oocystes résistants au chlore, du plomb, de produits pharmaceutiques choisis et plus. Pour des instructions sur le remplacement aisé du filtre, voyez la page 13.

Balconnets de congélateur

Les balconnets du milieu et inférieur peuvent être inclinés pour faciliter l'accès.

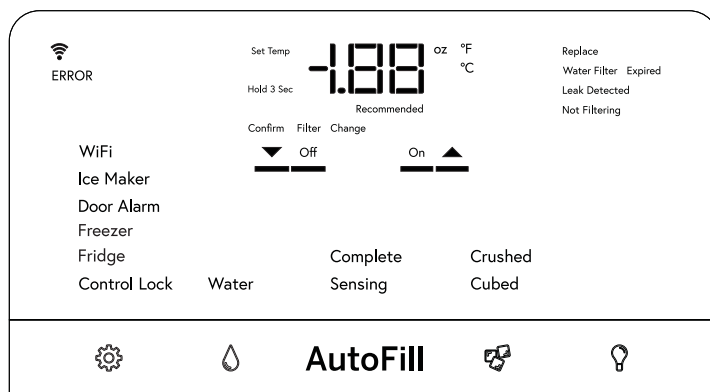


Contrôles

Tous les modèles

Nous mettons constamment à jour notre logiciel. Veuillez vous reporter au manuel d'utilisation complet en ligne pour connaître la fonction la plus récente sur visitez cafeappliances.ca.

Les réglages de température recommandés, pré-réglés à l'usine, sont 37 °F (3 °C) pour le réfrigérateur et 0 °F (-18 °C) pour le congélateur.



REMARQUE: Le réfrigérateur est livré avec un film protecteur sur les commandes de températures. Si le film n'a pas été retiré pendant l'installation, retirez-le maintenant.

Les commandes de températures sont pré-réglées en usine à 37°F (3°C) pour le compartiment réfrigérateur et à 0°F (-18°C) pour le compartiment congélateur. Veuillez attendre 24 heures pour que la température se stabilise au pré-réglage recommandé.

Pour modifier la température du réfrigérateur :

Pressez le bouton **Settings** (fonctions) (⚙️) jusqu'à ce que le mot « Fridge » (réfrigérateur) s'illumine. Pressez les boutons des flèches vers le haut ou le bas pour augmenter ou diminuer les réglages de température.

Pour modifier la température du congélateur :

Pressez le bouton Settings (fonctions) (⚙️) jusqu'à ce que « Freezer » (congélateur) s'illumine. Pressez les boutons des flèches vers le haut ou le bas pour augmenter ou diminuer les réglages de température.

On peut désactiver le système de refroidissement en pressant le bouton Settings (fonctions) (⚙️) jusqu'à ce que le mot « Fridge » (réfrigérateur) ou « Freezer » (congélateur) s'illumine. Maintenez simultanément une pression sur les boutons des flèches vers le haut et le bas durant 3 secondes. Le signe « - - » s'affiche lorsque le système est désactivé. La désactivation du système de refroidissement fait cesser le refroidissement du réfrigérateur, mais ne coupe pas l'alimentation électrique. On peut activer le système de refroidissement en retournant à la fonction « Fridge » (réfrigérateur) ou « Freezer » (congélateur) et en pressant le bouton On (marche).

Control Settings

Fonctions (⚙️) (icône roue dentelée) - Pressez pour faire défiler les fonctions du réfrigérateur.

- **Control Lock** (verrouillage des commandes) - Pressez ON (marche) ou OFF (arrêt) pour activer. Maintenez une pression sur Off durant 3 secondes pour désactiver.
- **Fridge** (réfrigérateur) - Pressez les boutons Haut ou Bas pour augmenter ou diminuer la température de 34 °F(1 °C) à 42 °F (6 °C).
- **Freezer** (congélateur) - Pressez les boutons Haut ou Bas pour augmenter ou diminuer la température de -6°F(-21°C) à 5°F (-15°C).

- **Door Alarm** (alarme de porte) - Déclenche une alarme lorsque les portes du congélateur ou du réfrigérateur sont laissées ouvertes. Éteignez l'alarme en appuyant sur l'une des touches. Appuyez sur « ON » ou « Off » pour activer ou désactiver l'alarme de porte pendant qu'une alarme est inactive.
- **Ice Maker** (machine à glaçons) - Pressez On ou Off pour démarrer/arrêter la machine à glaçons.
- **WiFi (Wi-Fi)** - Appuyez sur « On » pour commencer la procédure de connexion Wi-Fi selon les instructions de la page 13. Appuyez sur « Off » pour désactiver le Wi-Fi. Notez que le redémarrage du Wi-Fi exige que vous recommenciez la procédure de connexion Wi-Fi.

Water (💧) (eau)- Pressez pour sélectionner Ice (glace) ou Water (eau) à distribuer sur pression de la palette.

AutoFill (remplissage automatique) - Pressez pour activer la détection automatique qui activera le distributeur.

Ice (🧊) (glace) - Pressez pour sélectionner Crushed (glace pilée) ou Cubed (glaçons) à distribuer sur pression de la palette.

Light (💡) (éclairage) - Pressez pour éclairer le distributeur. Un carillon accompagnera chaque pression.

Fahrenheit / Celsius:

On peut basculer l'affichage de la température entre Fahrenheit et Celsius. Pressez le bouton Settings (fonctions) (⚙️) pour naviguer à « Fridge » (réfrigérateur) ou « Freezer » (congélateur), puis maintenez une pression sur les boutons Ice (glace) et Light (lampe) durant trois secondes.

Contrôle du volume sonore :

On peut régler le volume de l'alerte de High (haut) à Low (bas) et Off (désactivé). Pressez le bouton Settings (fonctions) (⚙️) pour naviguer à « Icemaker » (machine à glaçons), puis maintenez une pression sur les boutons Ice (glace) et Light (lampe) durant trois secondes.

Mode Sabbat :

Pressez simultanément les boutons Settings (fonctions) (⚙️), Water (eau) et Light (lampe) durant trois secondes pour entrer dans le mode Sabbat et en sortir. L'afficheur indiquera « SA » et le mode se fermera automatiquement après 3 jours.

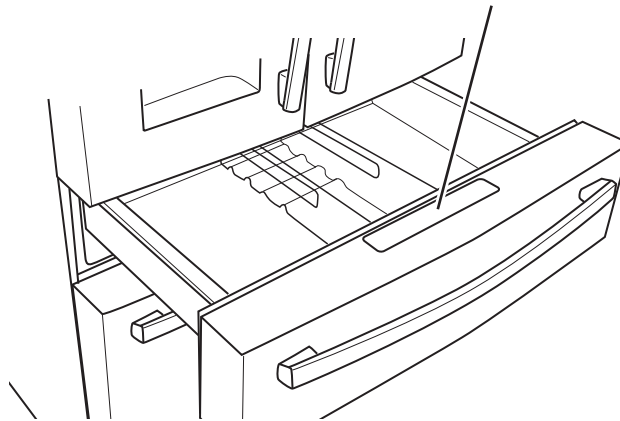
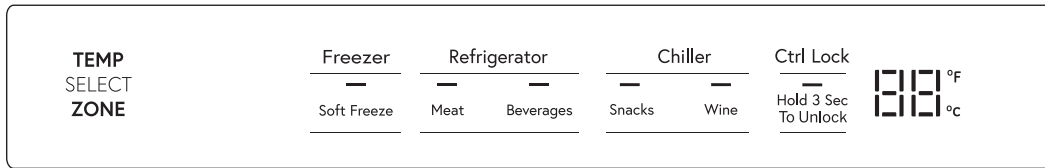
Contrôles

Tiroir convertibile modèle CVE

La température dans le tiroir convertibile est sélectionnée en pressant le type d'aliment à conserver dans le tiroir. Les températures correspondantes sont :

- Soft Freeze (congélation modérée) 23°F (-5°C)
- Meat (moi à) 29°F (-2°C)
- Beverages (breuvages) 33°F (1°C)
- Snacks (des collations) 37°F (3°C)
- Wine (vin) 42°F (6°C)

Le réglage de température est verrouillé par défaut. Il faut presser le bouton durant 3 secondes pour déverrouiller.



Contrôles

Compartment Convertible Zone pour modèle CQE

Le panneau de commande du compartiment Convertible Zone est situé au-dessus de la poignée inférieure droite. Sélectionnez la température de compartiment souhaitée.

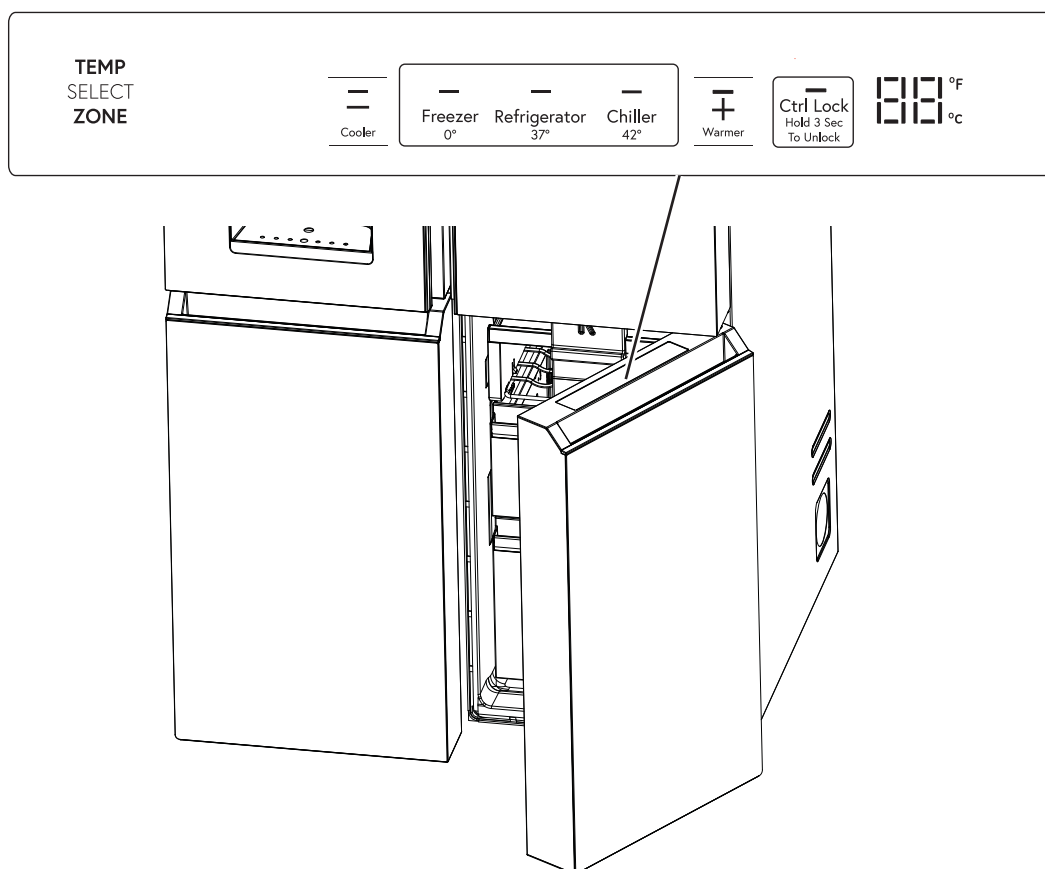
Congélateur à -18 °C (0 °F)

Réfrigérateur à 3 °C (37 °F)

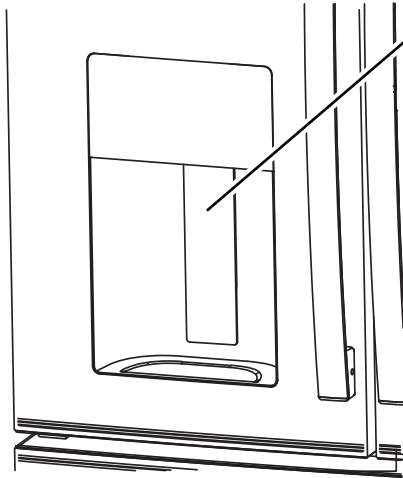
Refroidisseur à 6 °C (42 °C)

Le réglage de température est verrouillé par défaut. Il faut presser le bouton durant 3 secondes pour déverrouiller.

Les boutons pour diminuer (+) ou augmenter (-) sont utilisés pour régler chaque réglage de température.



Distributeur



Distributeur d'eau et de glace
(Consulter la section sur les paramètres de température et les fonctions de contrôle)

⚠ AVERTISSEMENT Risque de lacération

- N'introduisez jamais les doigts ou tout autre objet dans l'ouverture de sortie du broyeur de glace. Vous risqueriez de toucher les lames du broyeur de glace et entraîner des blessures graves, voire une amputation.
- Utilisez un verre robuste lorsque vous prenez les glaçons. Un verre fragile pourrait se casser et occasionner une blessure.

Si l'eau n'est pas distribuée lorsque le réfrigérateur vient d'être installé, il y a peut-être de l'air dans le conduit d'eau. Appuyez sur le bras du distributeur pendant au moins cinq minutes pour purger l'air contenu dans le conduit d'alimentation en eau et ainsi remplir ce dernier d'eau. Afin d'éliminer les impuretés du système, jetez les six premiers verres d'eau.

Informations importantes concernant votre distributeur

- N'ajoutez pas de glaçons provenant des bacs ou de sac à glaçons au seau de la machine à glaçons de la porte. Ils peuvent être difficile à piler ou à distribuer.
- Évitez de trop remplir les verres de glaçons et d'utiliser des verres étroits. La glace accumulée peut bloquer le conduit ou peut geler le volet en position fermée. Si des glaçons bloquent le conduit, retirez le seau à glace et faites-les passer à l'aide d'une cuillère en bois.
- Ne placez pas de boisson ou d'aliment dans le bac de la machine à glaçons pour les refroidir rapidement. Les canettes, bouteilles et paquets alimentaires peuvent bloquer la machine à glaçons ou la vis sans fin.
- Pour éviter que la glace distribuée ne manque le verre, placez ce dernier à proximité de l'ouverture du distributeur, mais sans la toucher.
- Il est possible que de la glace pilée soit distribuée même si vous avez choisi CUBED. Cela se produit de temps à autre lorsque plusieurs glaçons sont accidentellement acheminés vers le broyeur.
- Après distribution de glace pilée, de l'eau peut s'écouler du conduit.
- Parfois, un peu de givre se forme sur le volet du conduit à glace. Ce phénomène est normal et se produit en général après des distributions répétées de glace pilée. Le givre va éventuellement s'évaporer.

AUTOFILL (Remplissage Automatique)

Pour utiliser le remplissage automatique mains libres :

- Centrez le récipient sur la grille du distributeur aussi loin que possible sans activer le bras palpeur, puis retirez la main du récipient.
- Appuyer sur **AUTOFILL**

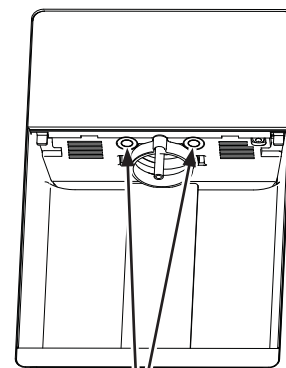
Pour arrêter le Remplissage automatique

- Appuyez sur l'une des touches, y compris AutoFill (remplissage automatique), pour arrêter.

Faits importants à propos du AUTOFILL (Remplissage automatique)

- Pour obtenir des résultats optimaux, utiliser un récipient uniforme d'une hauteur de 10 à 20 cm (4 à 8 po.) et d'une largeur de 5 à 15 cm (2 à 6 po.)
- Le niveau de remplissage et la fonctionnalité peuvent varier dans le cas de récipients dont la longueur excède 20 cm (8 po) ou la largeur, 15 cm (6 po).
- Le volume des récipients pourrait également varier. Si le mot « ERROR » (erreur) apparaît, essayez un contenant différent.
- Le remplissage automatique prendra fin automatiquement après un certain temps.
- Une poignée, des pailles, ou d'autres garnitures sur le rebord du récipient pourraient entraîner un débordement ou des variations du volume de remplissage.

- Des éclaboussures pourraient se produire selon la position du récipient, le débit d'eau, la forme du récipient et la présence de glaçons
- Nettoyer les capteurs régulièrement à l'aide d'un chiffon propre et humide, et ne pas vaporiser de liquide ni de nettoyant directement sur les capteurs.
- Le remplissage automatique fonctionne mieux si la pression d'eau de la résidence se trouve entre 414 et 689 kPa (60 et 100 psi).
- La glace dans le récipient peut influencer le volume de remplissage. En cas de problème, utilisez moins de glace.



AutoFill Sensors

WiFi (pour les clients aux États-Unis, ses territoires et au Canada)

- Télécharger l'application Café Appliances.
 - Disponible pour iPhone chez Apple Store ou en cliquant un lien sur **GEAppliances.com**.
 - Disponible pour Android chez Google Play ou en cliquant un lien sur **GEAppliances.com**.
- Sélectionnez **Create Account** (créer un compte) sur l'application.
 - Entrez l'information puis sélectionnez **Register** (s'enregistrer). Un courriel vous sera envoyé.
 - Lorsque vous recevez le courriel, sélectionnez **Verify Account** (vérification du compte).
 - Connectez-vous avec vos données d'identité et sélectionnez **Authorize** (autoriser) pour permettre à l'application de communiquer avec votre réfrigérateur.
- Configurez l'application.
 - Pressez le (+) dans le bas de l'écran.
 - Choisissez **Fridge** (réfrigérateur) (touche Cap).
 - Le bouton d'information affichera une image de l'écran tactile sur l'appareil. Sélectionner **OK**.
 - Sélectionnez **Next** (suivant).
- Sélectionnez WiFi sur l'afficheur du réfrigérateur en pressant l'icône **Fonctions**.
 - Sélectionnez **ON**; le symbole WiFi clignotera à chaque seconde.
 - Sélectionnez **Next** sur l'application.
- Repérez le mot de passe à l'intérieur de la réfrigérateur sur l'étiquette « Connected Appliance Information » (Information sur l'appareil en réseau).
 - Entrez le mot de passe sur l'application.
- Connectez-vous au module Wi-Fi du réfrigérateur dans les paramètres Wi-Fi du téléphone, puis retournez à l'application Kitchen et sélectionnez **Next** (suivant).
 - Le Wi-Fi affichera le format « GE_MODULE_XXXX ». On peut aussi trouver le numéro du module sur l'étiquette Connected Appliance Information à l'intérieur de la réfrigérateur.
 - Connectez-vous au réseau Wi-Fi du domicile et saisissez le mot de passe Wi-Fi du domicile.
 - Si toutes les coches apparaissent et que vous obtenez un écran vous informant que l'appareil est connecté, la connexion a réussi.
 - Si la connexion échoue, vous verrez aussi une erreur sur l'afficheur du réfrigérateur où la LED clignotera ou restera allumée.
 - Sélectionnez le mode DEL approprié sur l'écran « Oops! Something Went Wrong » (Oops! Quelque chose s'est mal passé). Vous recevrez les raisons probables de l'échec et l'option pour faire un nouvel essai.

MISES À JOUR DU LOGICIEL

L'une des caractéristiques de l'application Kitchen consiste à accepter les mises à jour du logiciel du réfrigérateur. Lorsque l'utilisateur accepte les mises à jour, les indicateurs du réfrigérateur seront éteints et toutes les caractéristiques seront désactivées pendant la mise à jour. Ceci est normal pendant les mises à jour du logiciel. Nous encourageons les utilisateurs à vérifier les réglages du réfrigérateur après une mise à jour du logiciel.

RENSEIGNEMENTS RÉGLEMENTAIRES

Déclaration de conformité de la FCC/IC :

Cet appareil est conforme aux prescriptions de la partie 15 des règles de la FCC. Le fonctionnement de cet équipement est assujéti aux deux conditions suivantes :

1. Cet appareil ne doit pas causer de brouillage préjudiciable.
2. Cet appareil doit accepter tout brouillage qu'il reçoit, y compris celui pouvant entraîner un fonctionnement indésirable.

Cet équipement a été testé et déclaré conforme aux limites imposées pour un appareil numérique de Classe B, conformément à la partie 15 de la réglementation FCC. Ces limites sont définies afin d'assurer une protection raisonnable contre le brouillage nuisible dans une installation résidentielle. Cet équipement génère, utilise et émet des fréquences radio qui, en cas d'une installation erronée ou d'une utilisation non-conforme aux instructions de ce manuel d'utilisation peuvent causer un brouillage nuisible aux communications radio. Il n'y a cependant aucune garantie qu'un brouillage nuisible ne se produira pas dans une installation donnée. Si cet équipement cause un brouillage nuisible sur votre poste radio ou de télévision, ce que vous pouvez déterminer en éteignant et en rallumant votre équipement, il est conseillé à l'utilisateur d'essayer de pallier à ce brouillage nuisible en prenant l'une ou l'autre des mesures suivantes :

- Réorienter ou repositionner l'antenne de réception.
- Augmenter la distance entre l'équipement et le récepteur.
- Brancher l'équipement dans une prise d'un circuit qui diffère de celui auquel le récepteur est branché.
- Consulter le revendeur ou un technicien en radio-télévision pour obtenir de l'aide.

Étiquetage : Les modifications non explicitement approuvées par le fabricant peuvent annuler le droit de l'utilisateur de se servir de cet équipement.

Réponse à la demande (pour certains modèles)

Qu'est-ce que la réponse à la demande?

Certains fournisseurs varient leurs tarifs d'électricité en fonction du moment de la journée. D'autres offrent des programmes de réponse à la demande afin de réduire la consommation d'énergie durant certaines périodes de la journée. Et certains peuvent offrir les deux types de service. Ce réfrigérateur est doté d'une fonction de réponse à la demande pour faciliter la gestion de la consommation d'énergie.

Utilisation de la réponse à la demande sans programme d'un fournisseur d'énergie

La fonction de réponse à la demande permet à l'utilisateur de déplacer les processus à haute consommation d'énergie (p.ex. le dégivrage) pour une période de 4 heures. Cette période correspond à la consommation moyenne d'énergie de pointe. La fonction de réponse à la demande est activée par l'application Café Appliances et nécessite cette dernière pour fonctionner. Cette fonction ne dépend pas du fournisseur local ni de sa capacité à varier ses tarifs d'électricité.

Réponse à la demande avec votre fournisseur d'énergie

Si votre fournisseur offre un programme de réponse à la demande compatible, ce réfrigérateur peut modifier sa consommation d'énergie en fonction des commandes reçues de ce fournisseur. On peut utiliser l'application Café Appliances pour outrepasser le programme de réponse à la demande, le cas échéant. Veuillez noter qu'il existe différents programmes de réponse à la demande, plusieurs n'étant pas compatibles avec les électroménagers de cuisine. Veuillez vérifier auprès de votre fournisseur d'énergie local.

Le niveau de réponse à la demande est affiché sur l'application mobile. Le mode temporisation de la charge de l'électroménager (DAL - Delay appliance load mode) réduit la consommation d'énergie en reportant le dégivrage et la production de glace de 4 heures. La réduction temporaire de la charge de l'électroménager (TALR - Temporary appliance load reduction) réduit la consommation d'énergie en reportant le dégivrage, la production de glace et le refroidissement de 10 minutes.

La consommation d'énergie estimée en Watt-heure (Wh) est affichée dans l'application mobile.

Installation de la fonction de réponse à la demande

Installez l'application Café Appliances d'après les instructions de la page précédente. Sélectionnez la page Demand Response (réponse à la demande) et choisissez les options disponibles pour ce service. L'application fournit plus de renseignements sur le fonctionnement de chaque option de la réponse à la demande.

Protocoles de communication de la réponse à la demande

Le réfrigérateur utilise les protocoles standards ouverts IETF suivants pour la communication Wi-Fi. Consultez le manuel de l'utilisateur pour les dernières mises à jour des protocoles :

- XMPP <https://tools.ietf.org/html/rfc6120>
- TLS <https://tools.ietf.org/html/rfc5246>

API GEA pour la réponse à la demande :

- Écrire l'état de la réponse à la demande (Inactif, DAL, et TALR)
- Obtenir l'état de la réponse à la demande (Inactif, DAL, TALR ou Delay Defrost [dégivrage différé])
- Obtenir la consommation d'énergie estimée en watt-heure.
- Obtenir l'événement pour « Door Open » (porte ouverte).
- Obtenir l'événement pour « High temperature alert » (alerte haute température).
- Écrire l'heure de départ et la durée de la réponse à la demande (DAL ou TALR).
- Obtenir l'heure de départ et la durée de la réponse à la demande (DAL ou TALR).
- Supprimer l'horaire de la réponse à la demande (DAL ou TALR).

Cartouche XWF du filtre

Cartouche de filtre à eau

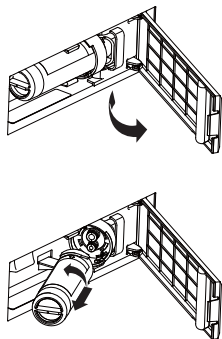
La cartouche de filtre à eau est située dans la porte réfrigérateur gauche derrière le panneau d'accès rectangulaire.

Quand remplacer la cartouche de filtre à eau

Le message **Replace Water Filter** (remplacer le filtre à eau) sur le panneau de commande va s'allumer lorsque la cartouche de filtre à eau devra être remplacée bientôt. Le message **Water Filter Expired** (filtre à eau périmé) sur le panneau de commande va s'allumer lorsque la cartouche de filtre à eau doit être remplacée à brève échéance. La cartouche de filtre à eau peut être remplacée plus tôt si le débit d'eau du distributeur ou de la machine à glaçons diminue. Une fois que l'un ou l'autre message est illuminé, la distribution d'eau affichera **Confirm Filter Change** (confirmer le remplacement du filtre); ne confirmez que si le filtre a été remplacé.

RETRAIT DU FILTRE

Si vous remplacez le filtre, retirez d'abord le précédent en agrippant le filtre avec soin et le tournant lentement vers la gauche sur environ ¼ de tour. Le filtre va se libérer automatiquement une fois tourné suffisamment vers la gauche. Une petite quantité d'eau pourrait dégoutter.



ATTENTION

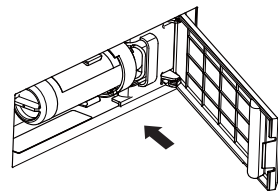
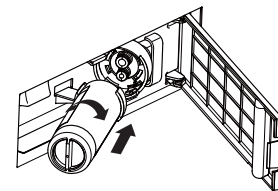
Si de l'air est emprisonné dans le système, la cartouche de filtre peut être éjectée lors de son retrait.

BOUCHON DE DÉRIVATION DU FILTRE

Pour réduire le risque de dommage à la propriété en raison de fuites d'eau, vous DEVEZ utiliser un bouchon de dérivation du filtre lorsqu'une cartouche filtrante de rechange n'est pas disponible. Certains modèles ne sont pas dotés d'un bouchon de dérivation du filtre. Pour obtenir un bouchon de dérivation de filtre, visitez electromenagersge.ca. Le distributeur et la machine à glaçons ne fonctionneront pas sans que ne soient installés le filtre ou le bouchon de dérivation. Le bouchon de dérivation s'installe de la même manière que la cartouche de filtre.

INSTALLATION DU FILTRE DANS UN RÉFRIGÉRATEUR À CONGÉLATEUR EN BAS

- Ouvrez le logement de la cartouche de filtre en tirant pour ouvrir la porte.
- Alignez les points d'accès du filtre sur ceux porte-filtre puis insérez délicatement le filtre.
- Tournez lentement le filtre vers la droite jusqu'à ce qu'il s'arrête. **NE PAS SERRER EXCESSIVEMENT.** Le filtre s'ajustera automatiquement à sa position à mesure que vous le tournez. Le filtre tournera d'environ ¼ de tour ou 90 degrés jusqu'à ce qu'il ne puisse plus tourner, étiquette orientée vers l'extérieur.
- Poussez lentement le filtre dans les pinces.
- Fermez le logement de la cartouche de filtre en poussant délicatement la porte jusqu'à ce que les languettes se verrouillent en place.
- Faites couler 2 gallons (9 litres) d'eau par le distributeur (environ 5 minutes) pour nettoyer le système. De l'eau peut jaillir et des bulles d'air peuvent être visibles pendant la procédure. Si l'eau ne s'écoule pas, assurez-vous que le filtre a été complètement tourné vers la droite.
- Lors de la distribution d'eau, pressez le bouton en dessous du message Confirm Filter Change (confirmer le remplacement du filtre). Si vous souhaitez changer le filtre à eau avant l'apparition du message, appuyez sur le bouton **Settings** (réglages) jusqu'à ce que le mot « Ice maker » (machine à glaçons) s'allume puis maintenez simultanément les boutons « Water » et « Ice » enfoncés pendant trois (3) secondes.



Conditions d'application/Paramètres d'alimentation d'eau

Débit de service	0,5 g/m (1,89 L/m)
Alimentation d'eau	Eau potable
Pression d'eau	25-120 psi (172-827 kPa)
Température de l'eau	33 °F-100 °F (0,6 °C-38 °C)
Capacité	170 gallons (643,5 litres)

Enregistrez-vous pour recevoir des RAPPELS TEXTUELS en textant REPLACE au 70543.

AVERTISSEMENT

Pour réduire le risque d'étouffement pendant l'installation de ce produit, ne pas laisser les petites pièces à la portée des enfants âgés de moins de 3 ans. La cartouche de filtre jetable doit être remplacée tous les 6 mois, si sa capacité nominale est atteinte ou si une réduction notable du débit est observée.

Pour les meilleurs résultats de votre système de filtration, Café Appliances recommande l'utilisation de filtres de marque GE Appliances seulement. L'utilisation de filtres de marque GE Appliances dans les réfrigérateurs Café procure les meilleurs rendement et fiabilité. Les filtres GE Appliances satisfont aux rigoureuses normes NSF de l'industrie relatives à la sûreté et la qualité, facteur important pour les produits qui filtrent votre eau. Café Appliances n'a pas évalué le rendement des filtres d'autres marques dans les réfrigérateurs Café et il n'existe aucune assurance qu'ils satisferont les normes de qualité et de fiabilité Café.

Pour toute question ou pour commander des cartouches filtrantes de rechange, visitez notre site Web au electromenagersge.ca.

Les consommateurs du Canada doivent consulter les pages jaunes pour connaître le centre de service Camco le plus proche.

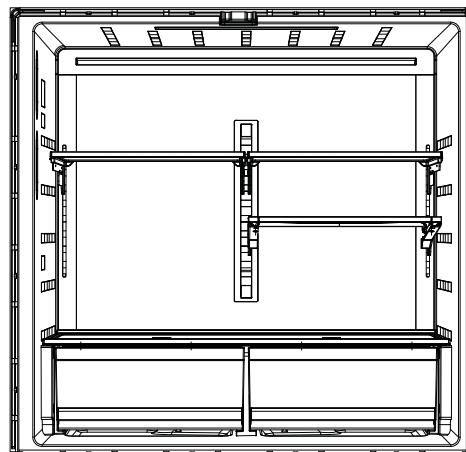
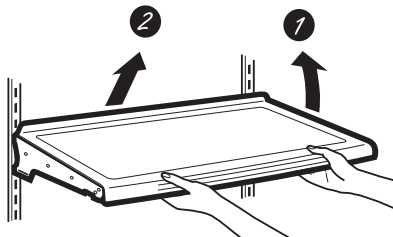
Options de stockage du réfrigérateur

Réorganisation des clayettes

Les clayettes du réfrigérateur sont réglables.

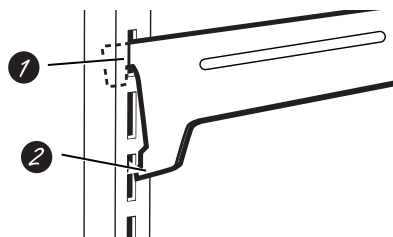
Pour les retirer :

- 1 Retirez tous les aliments de la clayette.
- 2 Soulevez l'avant de la clayette.
- 3 Soulevez l'arrière de la clayette et sortez-la du réfrigérateur.



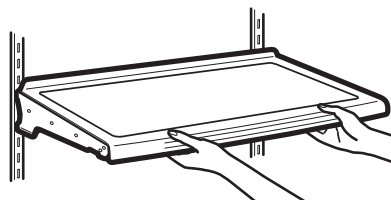
Pour le remettre en place :

- 1 Tout en inclinant la clayette, insérez le crochet supérieur à l'arrière de cette même clayette dans une fente du rail.
- 2 Abaissez l'avant de la clayette jusqu'à ce que le bas de celle-ci se positionne correctement.



Clayettes anti-déversement

Les clayettes anti-déversement ont des bords adaptés pour éviter que les déversements ne s'écoulent sur les clayettes inférieures.

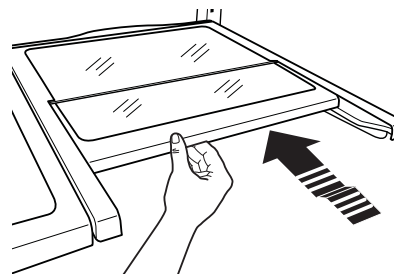


Clayette QuickSpace

Cette clayette se partage en deux avec une partie qui s'escamote sous l'autre pour permettre le stockage des articles de grande taille posés sur la clayette inférieure.

Cette clayette peut être retirée et remplacée ou déplacée (tout comme les clayettes anti-déversement).

REMARQUE : La partie arrière de la clayette QuickSpace n'est pas réglable.

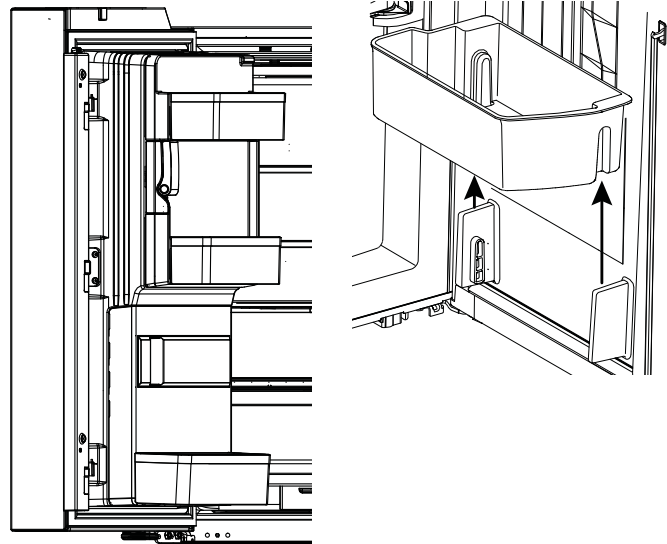


Options de stockage du réfrigérateur

Bacs de porte

Les bacs fixes peuvent aisément être transportés du réfrigérateur au plan de travail.

Pour les retirer : Tirez le bac vers le haut, puis retirez-le. Les balconnets ne sont pas interchangeables, notez leur position lors du retrait pour les replacer à la bonne place.

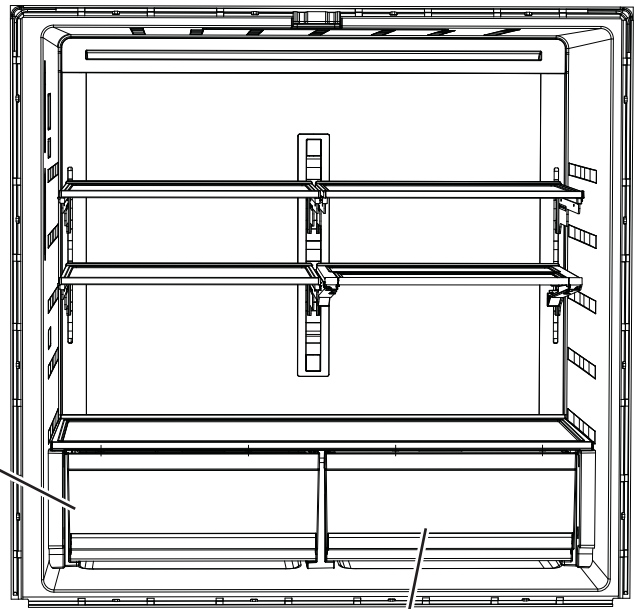


Bacs de la zone à contrôle climatique

Conservez les fruits et les légumes dans des compartiments séparés pour un accès facile.

Essuyez l'eau accumulée dans le fond ou en dessous des bacs.

Bac ventilé pour ranger les fruits et légumes



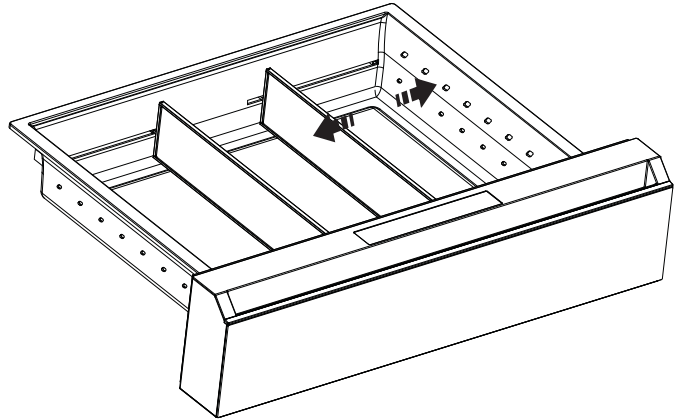
Les bacs RCC étanches prolongent la conservation des fruits et légumes frais en maintenant l'humidité du bac.

Options de stockage du réfrigérateur

TIROIR CONVERTIBLE – Modèle CVE seulement

Comment placer les séparateurs de tiroir

Tenez le haut du séparateur et glissez celui-ci vers la gauche ou la droite.



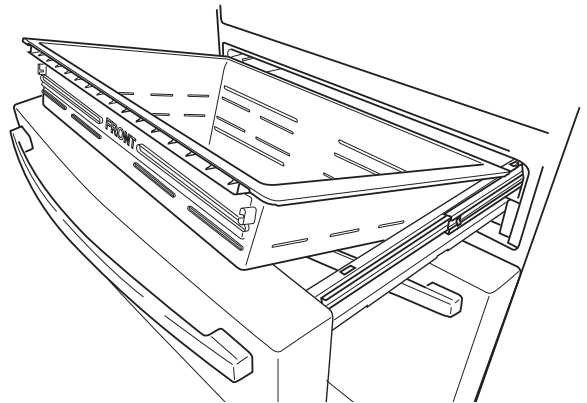
Comment retirer et replacer le tiroir

Pour retirer :

1. Tirez le tiroir vers l'extérieur jusqu'à la position d'arrêt.
2. Retirez le panier du tiroir convertibile en le soulevant tout en faisant pivoter le panier vers le haut.

Pour replacer :

1. Remplacez d'abord l'arrière du tiroir et faites pivoter le devant pour le déposer sur les glissières.
2. Poussez le tiroir jusqu'à la position fermée.
Le panier de tiroir convertibile sera lâche s'il est réinstallé à l'envers. Repérez le mot embossé « FRONT » (devant) pour faciliter la réinstallation.

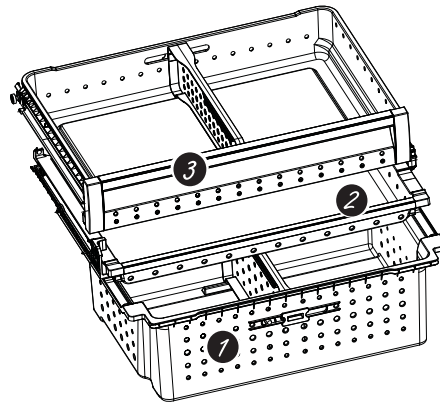


Options de stockage du réfrigérateur

PANIER, TIROIRS ET BACS – Modèle CVE seulement

Panier et tiroir du congélateur

- ① Panier.
- ② Plateau à pizza
- ③ Tiroir



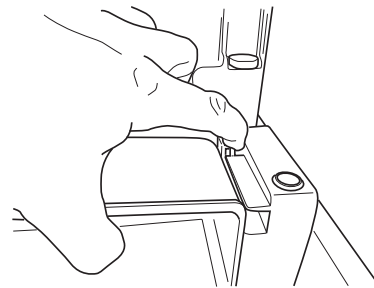
Bac à bascule dans le congélateur

Pour retirer :

Pressez la languette sur le support droit pour retirer le bac du tiroir du congélateur.

Pour replacer :

Glissez le bac à sa position jusqu'à ce qu'il se verrouille en place.



Retrait du panier

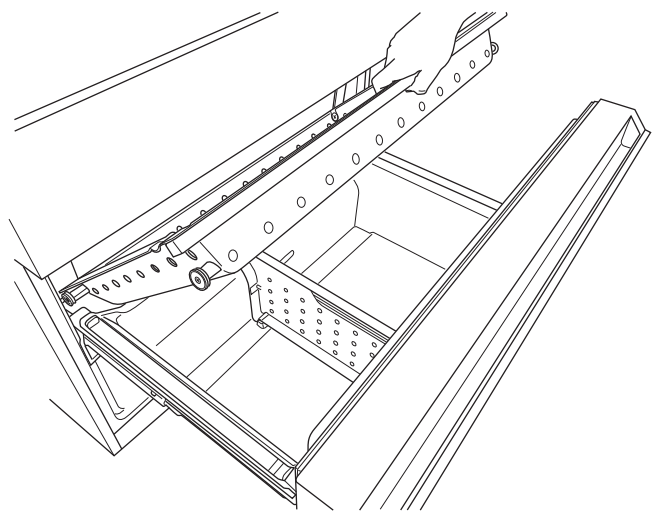
Pour retirer :

1. Poussez le panier du tiroir de congélateur supérieur jusqu'au bout à l'intérieur du compartiment congélateur. Le tiroir supérieur n'est PAS amovible.
2. Tirez le plateau à pizza jusqu'au bout vers l'extérieur et soulevez-le jusqu'à pouvoir le sortir.
3. Pressez la languette sur le support droit pour retirer le balconnet de congélateur.
4. Soulevez le panier du tiroir congélateur inférieur légèrement vers l'arrière, puis vers le haut et hors du tiroir.

Pour replacer :

1. Remplacez d'abord l'arrière du tiroir et faites pivoter le devant pour le déposer sur les glissières.

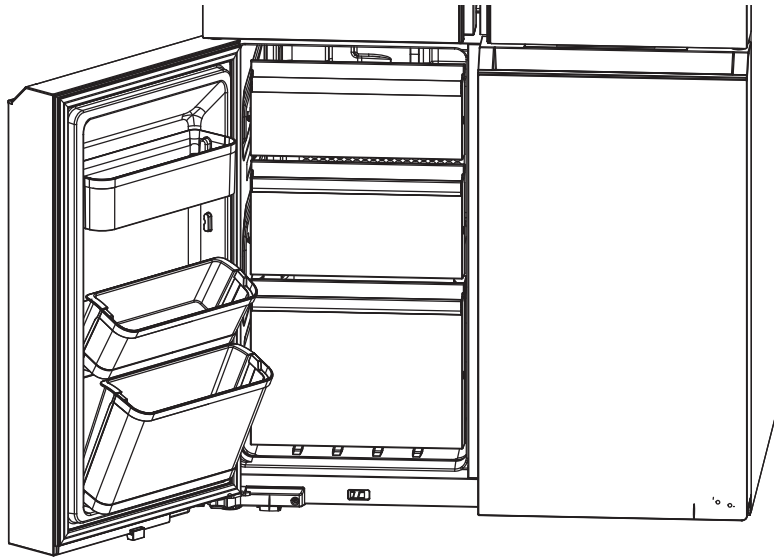
Le panier du tiroir inférieur du congélateur doit être en place avant d'installer le tiroir à pizza.



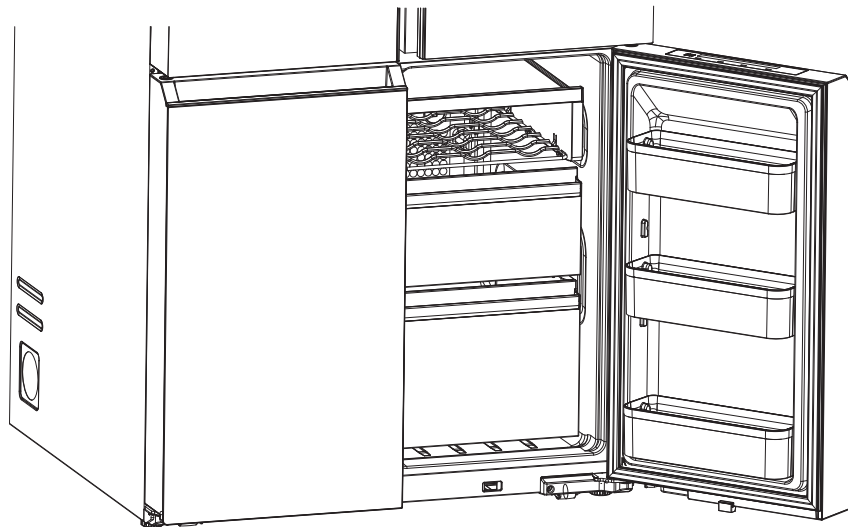
Options de stockage du réfrigérateur

PANIERs et CLAYETTES – Modèle CQE seulement

Paniers du congélateur



Paniers du compartiment Select Zone, clayettes et porte-bouteilles à vin



Retrait du panier ou de la clayette

Pour retirer :

1. Tirez complètement le panier ou la clayette vers vous.
2. Soulevez légèrement le devant du panier ou de la clayette et tirez.

Pour réinstaller :

1. Inversez les étapes de retrait.

Machine à glaçons automatique

Il faut prévoir entre 12 et 24 heures avant qu'un réfrigérateur nouvellement installé commence à produire

⚠ AVERTISSEMENT

Raccordez l'appareil à une alimentation d'eau potable seulement. Une alimentation d'eau froide est requise pour faire fonctionner la machine à glaçons et le pichet à remplissage automatique. La pression d'eau doit se situer entre 40 et 120 psi. (275 à 827 kPa).

des glaçons.

Machine à glaçons automatique

La machine à glaçons produit sept glaçons par cycle - environ 100–130 cycles par 24 heures, selon la température du compartiment de congélation, la température de la pièce, le nombre d'ouverture de porte et les autres conditions d'utilisation.

La machine à glaçons se remplit d'eau lorsque sa température atteint 15°F (-10°C). Il faut prévoir entre 12 et 24 heures avant qu'un réfrigérateur nouvellement installé commence à produire des glaçons.

Si le réfrigérateur est mis en marche avant que la machine à glaçons ne soit raccordée à l'alimentation en eau ou si l'alimentation en eau du réfrigérateur est fermée, assurez-vous que la machine à glaçons est éteinte. Une fois l'eau raccordée au réfrigérateur, on peut mettre la machine à glaçons sous tension (On) à l'aide des contrôles.

Vous entendrez un bourdonnement à chaque fois que la machine à glaçons se remplit d'eau.

Pour remplir le bac à sa capacité maximale après l'installation, distribuez 3 ou 4 glaçons au bout de 12 heures et 18 heures. Allouez 1 à 2 jours pour que le bac se remplisse complètement de glaçons.

Jetez les premiers bacs de glaçons pour bien nettoyer le conduit d'eau.

Vérifiez que rien n'interfère avec le déplacement du bras de détection.

Quand le bac se remplit jusqu'au niveau du bras de détection, la machine à glaçons s'arrête de produire des glaçons. Il est normal de trouver des glaçons qui soient soudés ensemble.

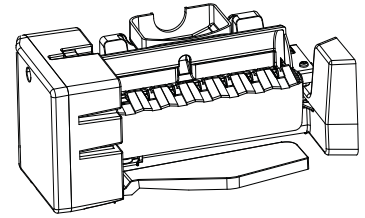
Si vous n'utilisez pas souvent vos glaçons, les vieux glaçons deviennent opaques, prennent un mauvais goût et rétrécissent.

REMARQUE : Dans les maisons qui ont une pression d'eau plus faible que la moyenne, vous entendrez peut-être la machine à glaçons recommencer plusieurs fois son cycle pour produire un lot de glaçons.

⚠ ATTENTION

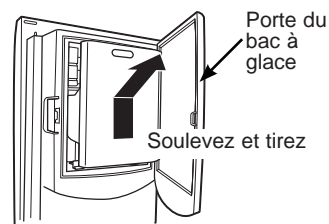
Pour minimiser les risques de blessures, évitez le contact avec les pièces mobiles du mécanisme éjecteur, ou avec l'élément chauffant qui libère les glaçons. Ne posez pas les doigts ou les mains sur le mécanisme de la machine à glaçons automatique pendant que le réfrigérateur est branché.

Pour allumer ou éteindre la machine à glaçons, utilisez le bouton Paramètres pour accéder aux sélections de la machine à glaçons. Voir COMMANDES, page 9.



Seau à glaçons et distributeur

- Ouvrez la porte du bac à glace à l'intérieur de la porte de gauche.
- Tirez le seau à glaçons vers le haut dans la porte de gauche pour le sortir du compartiment.
- Pour remettre le seau à glace, placez-le sur les guides et enfoncez-le jusqu'à ce qu'il soit correctement en place.



Entretien et nettoyage

Nettoyage de l'extérieur

ACIER INOXYDABLE RÉSISTANT AUX EMPREINTES DIGITALES*, ACIER INOXYDABLE NOIR, ARDOISE, ARDOISE FONÇÉE, SURFACE PINTE, VERRE - Directives pour nettoyer les surfaces extérieures, les poignées de porte et les garnitures

⚠ N'utilisez PAS de nettoyants pour acier inoxydable sur les surfaces de porte. ⚠

IMPORTANT : L'utilisation de produits inappropriés peut endommager le fini extérieur de l'acier inoxydable résistant aux empreintes digitales et de l'acier inoxydable noir. Veuillez suivre ces instructions et utiliser seulement les articles appropriés ci-dessous pour nettoyer les surfaces de votre électroménager.

- Afin de prévenir leur détérioration, nettoyez les surfaces intérieure/extérieure avec de l'eau tiède, un savon ou un détergent doux, et un linge doux ou en microfibres.
- Afin de prévenir les rayures et les taches d'eau, séchez les surfaces de l'électroménager en les essuyant avec un chiffon doux propre ou un linge en microfibres.

UTILISER	NE PAS UTILISER	
Linge ou éponge doux et propres Chiffon en microfibres	Linges abrasifs, essuie-tout, éponges à récurer (avec ou sans savon), tampons à récurer ou en laine d'acier.	
Détergent doux dans eau chaude.	Poudres, liquides, ou vaporisateurs abrasifs. Vaporisateurs pour fenêtres, ammoniac ou javel Nettoyants à base d'agrumes ou de plantes. Nettoyants acides ou à base de vinaigre.	Nettoyants pour le four. Nettoyants alcalins Nettoyants pour acier inoxydable

*Nettoie facilement les taches et les empreintes de doigt.

ACIER INOXYDABLE - Directives pour nettoyer les surfaces extérieures, les poignées de porte et les garnitures

REMARQUE : Ne laissez PAS un nettoyant pour acier inoxydable venir au contact de pièces en plastique telles que garnitures, quincaillerie de poignée ou doublures. Si un contact non intentionnel d'un nettoyant avec une pièce en plastique survient, nettoyez la pièce en plastique avec une éponge et un détergent doux mélangé dans l'eau chaude.

UTILISER	NE PAS UTILISER
Linge ou éponge doux et propres	Linges abrasifs, éponges à récurer, tampons à récurer ou en laine d'acier.
Détergent doux dans eau chaude. Nettoyants pour acier inoxydable approuvés; visitez la boutique de pièces GE Appliances pour des nettoyants pour acier inoxydable approuvés : Electromenagersge.ca/fr/produits/filtres-et-accessoires ou appeler 800.661.1616 On peut utiliser des nettoyants à base d'acide oxalique tels que Bar Keepers Friend Soft Cleanser™ pour éliminer la rouille de surface, le ternissement et les petites taches sur les surfaces en acier inoxydable seulement.	Poudres ou vaporisateurs abrasifs. Vaporisateurs pour fenêtres ou ammoniac. Nettoyants à base d'agrumes ou de plantes. Nettoyants acides ou à base de vinaigre. Nettoyants pour le four. Nettoyants qui contiennent de l'acétone (propanone). Tout nettoyant avec AVERTISSEMENT relatif au contact du plastique.

Nettoyage de l'intérieur

Pour prévenir les odeurs, laissez ouverte une boîte de bicarbonate de soude dans les compartiments réfrigérateur et congélateur.

Débranchez l'appareil avant de le nettoyer.

S'il est trop difficile de débrancher l'appareil, essorez bien votre chiffon ou votre éponge pour enlever l'excès d'eau lorsque vous nettoyez autour des interrupteurs, des lampes ou des commandes. Utilisez une cire pour appareil ménager sur la surface intérieure entre les portes.

Utilisez une solution d'eau tiède et de bicarbonate de soude (environ une cuillère à soupe (15 ml) de bicarbonate de soude dans un litre d'eau) afin de nettoyer tout en neutralisant les odeurs. Rincez et séchez.

Pour nettoyer le panneau métallique intérieur*, ouvrez la porte extérieure à l'aide du verrou entre les portes extérieure et intérieure. Nettoyez le panneau à l'aide d'un détergent doux puis essuyez avec un chiffon souple pour sécher. N'utilisez pas un nettoyant pour acier inoxydable sur le panneau car il pourrait endommager le plastique du pourtour.

⚠ ATTENTION Ne nettoyez pas les clayettes ou les couvercles en verre avec de l'eau tiède quand ceux-ci sont froids. Les clayettes et couvercles en verre peuvent se casser s'ils sont exposés à des changements soudains de température ou si vous les cognez ou les faites tomber. Le verre trempé est conçu pour se briser en petits morceaux en cas de casse.

Ne lavez aucune pièce en plastique du réfrigérateur au lave-vaisselle.

Entretien et nettoyage

Derrière le réfrigérateur

Soyez prudent lorsque vous éloignez votre réfrigérateur du mur. Tous les types de revêtements de sol peuvent être endommagés, en particulier les revêtements matelassés et ceux dont la surface est gaufrée.

Relevez les pieds de mise à niveau situés sur la partie inférieure avant du réfrigérateur.

Tirez le réfrigérateur en ligne droite et lorsque vous le remettez en place, poussez-le vers le mur en ligne droite. Les déplacements latéraux du réfrigérateur pourraient endommager le revêtement de sol ou le réfrigérateur.

Abaissez les pieds de mise à niveau jusqu'à ce qu'ils touchent le sol.

⚠ AVERTISSEMENT



RISQUE DE CHOC

ÉLECTRIQUE Lorsque vous remettez le réfrigérateur en place en le poussant, veillez à ne pas le faire rouler sur le cordon d'alimentation.

Préparatifs pour les vacances

Lors de vacances ou d'absences prolongées, retirez les aliments et débranchez le réfrigérateur. Nettoyez l'intérieur avec une solution d'une cuillère à table (15 ml) de bicarbonate de soude dans une pinte (1 litre) d'eau. Laissez les portes ouvertes.

Si la température risque de descendre sous le point de congélation, faites appel à un technicien qualifié pour vidanger le système d'alimentation d'eau afin de prévenir les dommages à la propriété causés par inondation.

1. Mettez le réfrigérateur hors tension (Off) (consultez le chapitre des CONTRÔLES à la page 9) ou débranchez-le.

2. Videz le bac à glaçons.

3. Coupez l'alimentation d'eau.

Si vous coupez l'alimentation d'eau, mettez la machine à glaçons hors tension (Off).

Au retour de vacances :

1. Remplacez le filtre à eau.

2. Faites circuler deux gallons (7,57 litres) d'eau dans le distributeur d'eau froide (environ 5 minutes) afin de rincer le système.

Déménagement

Immobilisez toutes les pièces amovibles, telles que les clayettes et les bacs, à l'aide de ruban gommé pour éviter de les endommager.

Lorsque vous utilisez un diable pour déplacer le réfrigérateur, ne faites pas reposer le devant ou l'arrière du réfrigérateur contre le diable, sous peine d'endommager votre réfrigérateur.

Ne le manipulez que par les côtés.

Assurez-vous que le réfrigérateur reste en position verticale pendant son déménagement.

Remplacement des ampoules

Ampoules du réfrigérateur (DEL)

L'aspect peut varier selon le modèle.

Le compartiment de réfrigération est équipé d'un éclairage à DEL. De plus, le bas de la porte du compartiment réfrigérateur est également équipé de DEL pour éclairer le compartiment de congélation.*

Le remplacement des ampoules à DEL doit être effectué par un technicien autorisé.

Si cet assemblage doit être remplacé, visitez Electromenagersge.ca/fr/soutien/demande-de-service pour programmer une visite de service.

Instructions d'installation

Réfrigérateur

Des Questions ? consultez notre site internet Electromenagersge.ca

AVANT DE COMMENCER

Lisez ces instructions entièrement et attentivement.

⚠ AVERTISSEMENT



Risque de basculement

Les modèles encastrés (modèles PYE, GYE, GYS, PWE, et ZWE) sont plus lourds au niveau de leur partie supérieure, surtout avec les portes ouvertes. Ces modèles doivent être fixés à l'aide du système anti-basculement par fixation au sol pour éviter que l'appareil ne bascule vers l'avant, ce qui pourrait entraîner des blessures graves, voire mortelles. Lisez et suivez les instructions d'installation complètes pour l'installation du système anti-basculement par fixation au sol livré avec votre réfrigérateur.

- **IMPORTANT** — Respectez tous les codes et règlements en vigueur. Conservez ces instructions pour l'inspecteur local.
- Remarque pour l'Installateur – Assurez-vous de remettre ces instructions à l'utilisateur.
- Remarque pour l'utilisateur- Conservez ces instructions pour toute référence future.
- Niveau de compétence - L'installation de cet appareil demande des connaissances de base en mécanique.
- Délai d'exécution– Variable pour l'installation du réfrigérateur
30 minutes pour l'installation de l'alimentation en eau
- L'installateur est responsable de l'installation correcte de l'appareil.
- La panne de l'appareil due à une mauvaise installation n'est pas couverte par la garantie.

PRÉPARATION

DÉPLACEMENT DU RÉFRIGÉRATEUR À L'INTÉRIEUR DE LA MAISON

Si le réfrigérateur ne peut pas passer par la porte, vous pouvez enlever la portes du compartiment de réfrigération et le tiroir du compartiment de congélation.

- Pour enlever la portes du compartiment de réfrigération, consultez la section « Installation du réfrigérateur »
- Pour enlever la porte du compartiment de congélation, consultez la section « Retrait du tiroir de congélation ».

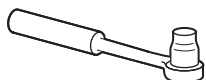
ALIMENTATION EN EAU DE LA MACHINE À GLAÇONS ET DU DISTRIBUTEUR

Si le réfrigérateur est équipé d'une machine à glaçons, il devra être branché à une alimentation en eau froide. Vous pouvez vous procurer une trousse GE Appliances de branchement à l'alimentation d'eau (contenant tuyau, robinet, raccords et instructions) auprès de votre fournisseur, en consultant notre site internet Electromenagersge.ca/fr/produits/filtres-et-accessoires.

OUTILLAGE DONT VOUS POUVEZ AVOIR BESOIN



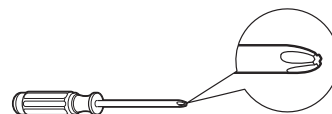
Clé à molette



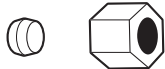
Tournevis à cliquet de 3/8 po



Clé hexagonale de type Allen de 1/8 po, 3/32 po, 1/4 po et de 5/32 po



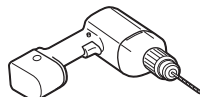
Tournevis cruciforme



Écrou à compression de diamètre externe d'1/4 po et d'une bague



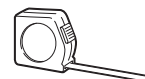
Crayon



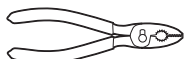
Mèche de 1/8 po et Perceuse manuelle ou électrique



Tournevis à tête plate



Mètre



Pincettes



Tournevis à tête plate



Tournevis Torx T20, T25



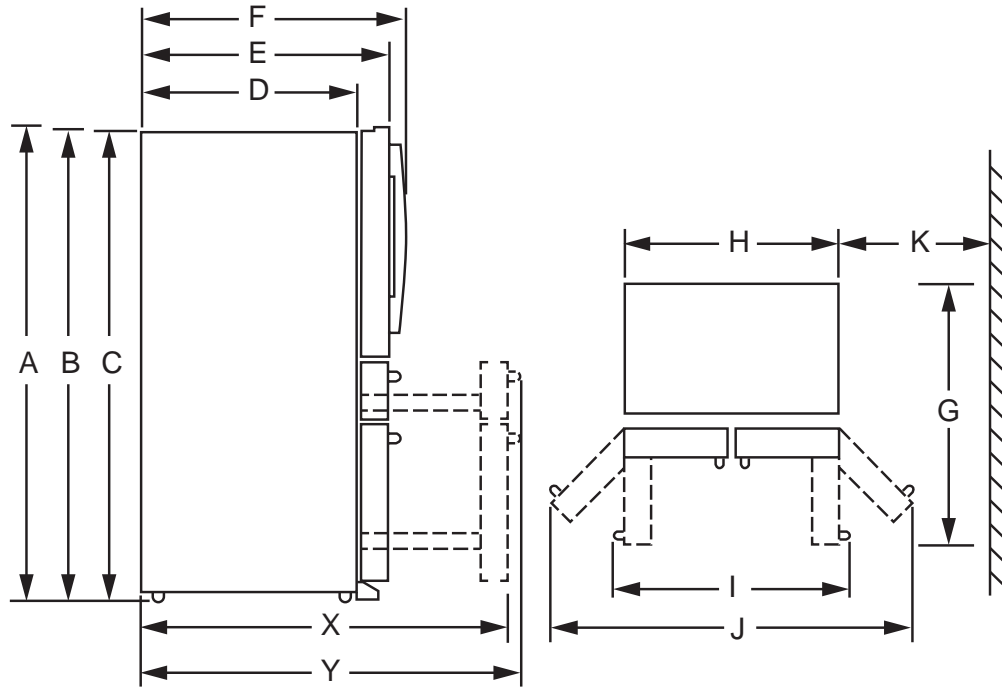
Niveau

Instructions d'installation

DIMENSIONS – Modèles CVE

REMARQUE : Il est recommandé que le plancher soit protégé par un recouvrement plastique durant toute la durée de l'installation.

REMARQUE : Non recommandé pour une installation sur moquette.



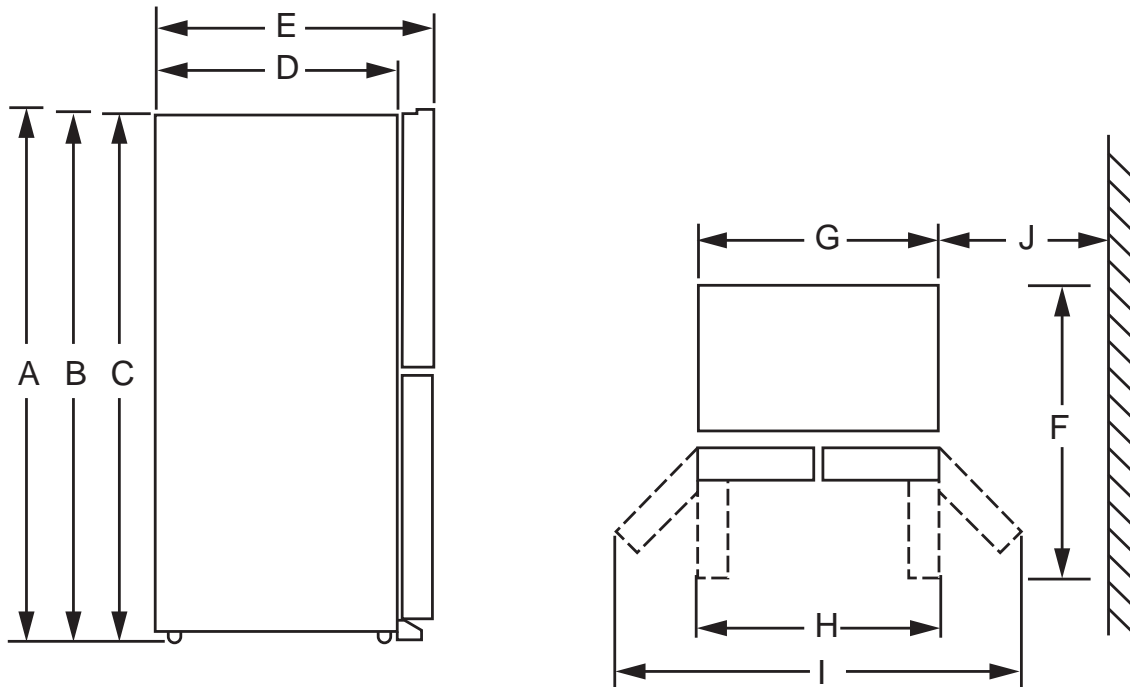
	Café Pro	Café Glass
Hauteur totale jusqu'au dessus de la porte (A)	70" (1775 mm)	70" (1775 mm)
Hauteur jusqu'au dessus du couvercle de charnière (B)	69-13/16" (1772 mm)	69-13/16" (1772 mm)
Hauteur jusqu'au dessus de la carrosserie (C)	68-5/8" (1742 mm)	68-5/8" (1742 mm)
Profondeur de carrosserie sans porte (D)	29-3/4" (755 mm)	29-3/4" (755 mm)
Profondeur carrosserie avec porte, moins poignée porte (E)	34-9/16" (878 mm)	34-3/8" (872 mm)
Profondeur carrosserie avec porte et poignée (E)	37-1/8" (943 mm)	34-3/8" (872 mm)
Profondeur avec porte réfrigérateur ouverte à 90° (G)	48-11/16" (1236 mm)	48-11/16" (1236 mm)
Largeur (H)	35-3/4" (908 mm)	35-3/4" (908 mm)
Largeur avec porte ouverte à 90°, avec poignée (I)	45-1/2" (1156 mm)	39-9/16" (1005 mm)
Largeur avec portes totalement ouvertes (J)	64-1/2" (1638 mm)	60-1/8" (1527 mm)
Dist. min. entre carrosserie et mur pour portes totalement ouvertes (K)	13-3/4" (350 mm)	13" (330 mm)
Profondeur avec porte congélateur totalement ouverte, avec poignée (X)	53-15/16" (1369 mm)	53-5/8" (1362 mm)
Profondeur avec porte congélateur totalement ouverte, sans poignée (Y)	56-3/8" (1433 mm)	53-5/8" (1362 mm)

Instructions d'installation

DIMENSIONS – Modèles CQE

REMARQUE : Il est recommandé que le plancher soit protégé par un recouvrement plastique durant toute la durée de l'installation.

REMARQUE : Non recommandé pour une installation sur moquette.



Hauteur totale jusqu'au dessus de la porte (A)	70" (1775 mm)
Hauteur jusqu'au dessus du couvercle de charnière (B)	69-13/16" (1772 mm)
Hauteur jusqu'au dessus de la carrosserie (C)	68-5/8" (1742 mm)
Profondeur de carrosserie sans porte (D)	29-3/4" (755 mm)
Profondeur carrosserie avec porte (E)	34-3/8" (872 mm)
Profondeur avec porte réfrigérateur ouverte à 90° (F)	48-11/16" (1236 mm)
Largeur (G)	35-3/4" (908 mm)
Largeur avec porte ouverte à 90° (H)	39-9/16" (1005 mm)
Largeur avec portes totalement ouvertes (I)	60-1/8" (1527 mm)
Dist. min. entre carrosserie et mur pour portes totalement ouvertes (J)	13" (330 mm)

Les portes doivent être complètement ouvertes pour avoir un accès complet aux tiroirs du congélateur et de la zone de sélection de la température.

DÉPLACEMENT DU RÉFRIGÉRATEUR

- En utilisant le tableau ci-dessous, déterminez si la largeur de votre couloir et embrasures de porte peuvent accommoder la profondeur du réfrigérateur. Assurez-vous d'avoir assez d'espace pour éviter d'endommager le réfrigérateur avant de le déplacer en toute sécurité vers son emplacement final.
- Si votre couloir et embrasures de porte sont assez large pour laisser passer le réfrigérateur sans enlever les poignées, passez directement à l'étape 6. Laissez les bandes adhésives, le film et tous les emballages sur les portes jusqu'à ce que le réfrigérateur soit dans sa position finale.
- **REMARQUE : Utilisez un diable rembourré ou des sangles de déménagement pour déplacer ce réfrigérateur. Placez le réfrigérateur sur le diable en appuyant un des côtés contre le diable. Il est fortement recommandé que DEUX PERSONNES déplacent le réfrigérateur et effectuent cette installation.**

Si votre ouverture est inférieure aux dimensions suivantes, retirez les pièces de la porte dans l'ordre indiqué jusqu'à ce que les dimensions soient inférieures à l'ouverture.		
	CVE28DP	CQE
Complètement assemblé	37-1/8" (943 mm)	34-7/8" (872 mm)
Retirer les poignées	34-9/16" (878 mm)	
Retirer les portes	32-1/4" (819 mm)	32-1/4" (819 mm)
Retirer la charnière centrale	29-3/4" (755 mm)	29-3/4" (755 mm)

Instructions d'installation

INSTALLATION DU RÉFRIGÉRATEUR

EMPLACEMENT DU RÉFRIGÉRATEUR

- N'installez pas le réfrigérateur dans une pièce où les températures descendent en-dessous de 60°F (16°C) parce qu'il serait difficile d'y maintenir une température correcte.
- N'installez pas le réfrigérateur dans un endroit où la température ambiante sera supérieure à 37°C, il ne fonctionnera pas correctement.
- N'installez pas le réfrigérateur dans un endroit exposé à l'eau (pluie, etc.) ou directement aux rayons solaires.
- Il doit être installé sur une surface suffisamment solide pour supporter le poids d'un réfrigérateur rempli.

DÉGAGEMENTS

Prévoyez les dégagements suivants pour faciliter l'installation, la circulation d'air et les raccordements hydrauliques et électriques.

Côtés 1/8 po (3 mm)

Dessus 1 po (25mm) corps du réfrigérateur/
cache de charnière

Arrière 2 po (50 mm)

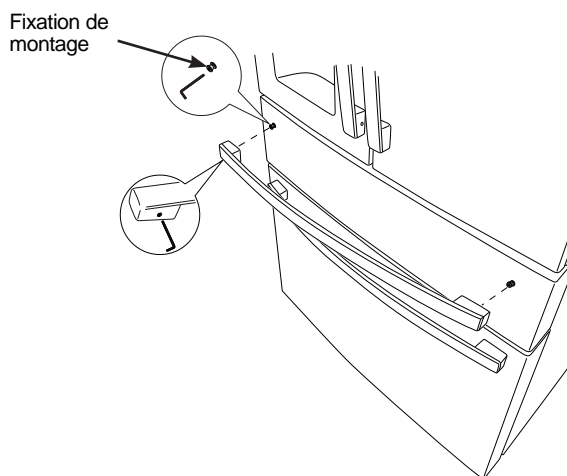
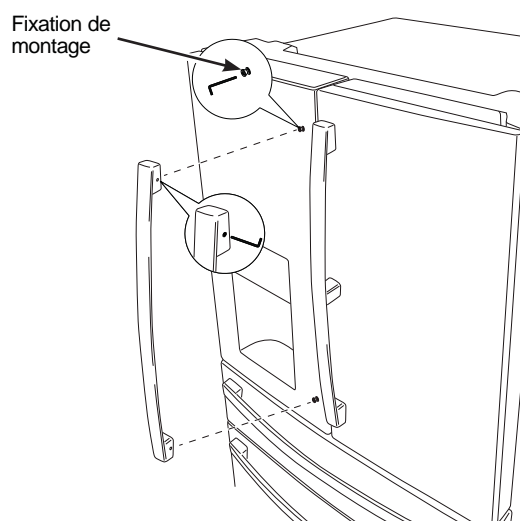
RETRAIT DES PORTES DU RÉFRIGÉRATEUR

- **REMARQUE IMPORTANTE** : La profondeur de ce réfrigérateur est de 37-1/8 po (943 mm) (reportez-vous au tableau de la page précédente). Les portes et les passages qui mènent à l'emplacement d'installation doivent avoir une largeur d'au moins 37-1/8 po (943 mm) si vous souhaitez les portes et les poignées sur le réfrigérateur lors de son déplacement. Si la largeur des passages est inférieure à 37-1/8 po (943 mm), les portes et les poignées du réfrigérateur peuvent être facilement rayées et endommagées. Le cache supérieur et les portes peuvent être retirés pour permettre de déplacer le réfrigérateur à l'intérieur en toute sécurité. Si la largeur des passages est inférieure à 34-9/16 po (878 mm), commencez par l'étape 1.
- S'il n'est pas nécessaire de retirer les portes, passez directement à l'étape 11. Laissez les bandes adhésives et tous les emballages sur les portes jusqu'à ce que le réfrigérateur soit dans sa position finale.
- **REMARQUE** : Utilisez un diable rembourré pour déplacer ce réfrigérateur. Placez le réfrigérateur sur le diable en appuyant un des côtés contre le diable. Il est fortement recommandé que DEUX PERSONNES déplacent le réfrigérateur et effectuent cette installation.

1 RETRAIT DES POIGNÉES DES PORTES RÉFRIGÉRATEUR ET CONGÉLATEUR (si nécessaire)

Le style de poignée varie mais l'installation est la même.

1. Serrez/desserrez la poignée sur/de la porte en tournant la vis de réglage avec une clé hexagonale 1/8 po. Laissez la pellicule sur la porte jusqu'à ce que l'installation soit terminée.
2. Si les fixations de montage de la poignée doivent être serrées ou retirées, utilisez une clé hexagonale 3/16 po.



Instructions d'installation

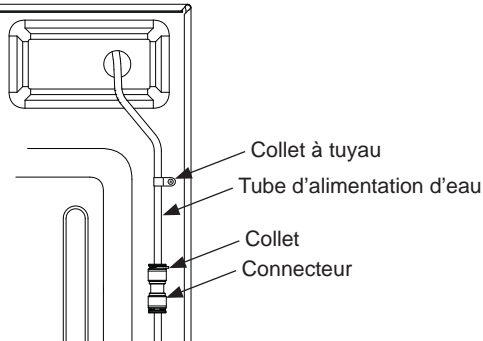
INSTALLATION DU RÉFRIGÉRATEUR (suite)

2 RETIRER LA PORTE GAUCHE

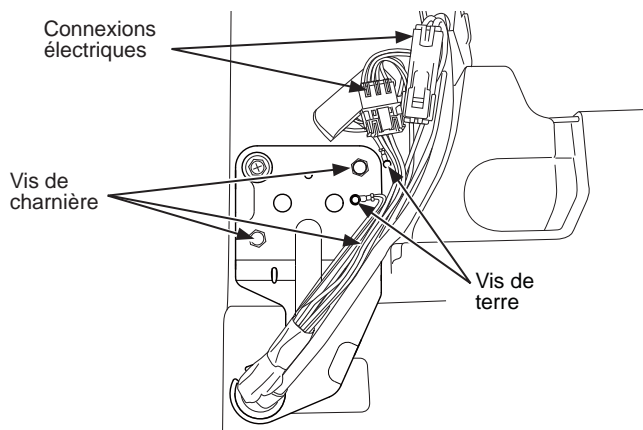
⚠ AVERTISSEMENT

Suivez toutes les étapes pour enlever et réinstaller la porte. La porte risque de tomber en plus de causer des blessures ou des dommages si vous ne respectez pas ces instructions, oubliez des pièces ou effectuez un serrage excessif des vis.

1. Desserrez le tube d'alimentation d'eau de la machine à glaçons.



- Desserrez et retirez la bride du tube de l'arrière du réfrigérateur et du tube d'alimentation d'eau.
 - Retirez le collet noir du connecteur du tube d'alimentation d'eau à l'arrière droite supérieure du réfrigérateur.
 - Pressez la collerette blanche vers le bas et séparez la conduite d'alimentation d'eau du connecteur.
2. Enlevez le couvercle de charnière gauche en retirant 2 vis du couvercle à l'aide d'un tournevis cruciforme, puis soulevez depuis le côté gauche. Débranchez les connecteurs électriques et tirez le tube d'alimentation d'eau de la machine à glaçons à travers la carrosserie.



3. Fixez fermement la porte en position fermée avec du ruban cache ou demandez à une autre personne de supporter la porte.
4. Retirez les vis qui fixent la charnière à l'aide d'une douille 5/16 po. Levez la charnière pour la dégager du réfrigérateur et de la porte.

2 RETIRER LA PORTE GAUCHE (suite)

Pour une installation correcte plus tard, veuillez suivre les étapes suivantes attentivement :

- Retirez le ruban en gardant la porte aussi droite que possible, puis soulevez-la pour l'enlever.

⚠ ATTENTION

Risques lors du levage

Un levage avec une seule personne peut provoquer des blessures. Utilisez de l'aide lors de la manipulation, le déplacement ou le levage des portes du réfrigérateur.

3 RETIRER LA PORTE DROITE

- Retirez le couvercle de charnière droit.
- Fixez fermement la porte en position fermée avec du ruban cache ou demandez à une autre personne de supporter la porte.
- Retirez les vis qui fixent la charnière à l'aide d'une douille 5/16 po. Levez la charnière pour la dégager du réfrigérateur et de la porte.

Pour une installation correcte plus tard, veuillez suivre les étapes suivantes attentivement :

- Retirez le ruban en gardant la porte aussi droite que possible, puis soulevez-la pour l'enlever.

⚠ ATTENTION

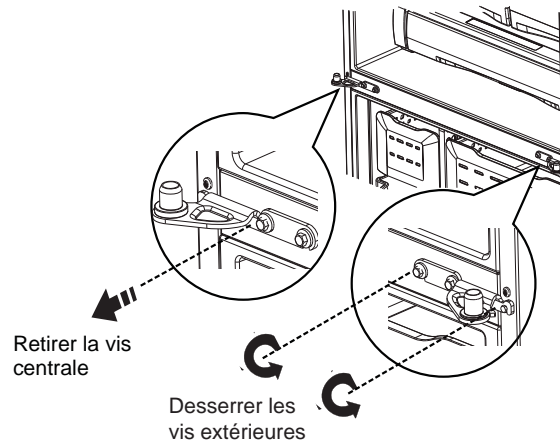
Risques lors du levage

Un levage avec une seule personne peut provoquer des blessures. Utilisez de l'aide lors de la manipulation, le déplacement ou le levage des portes du réfrigérateur.

Pour remonter les portes, inversez les étapes du retrait.

4 RETIRER LA CHARNIÈRE CENTRALE (si nécessaire)

Retirez les vis pour fixer la charnière sur la carrosserie. Les vis intérieures nécessitent une douille 5/16 po. Les vis extérieures nécessitent une vis Phillips no 2.

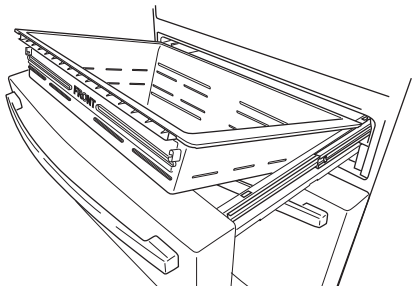


Instructions d'installation

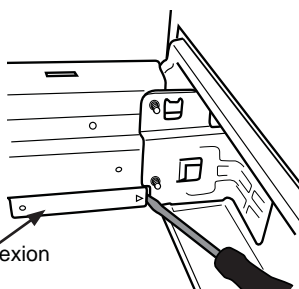
INSTALLATION DU RÉFRIGÉRATEUR (suite)

5 RETRAIT DU TIROIR CONVERTIBLE (sur certains modèles)

1. Retirez le panier du tiroir convertible en soulevant puis faisant pivoter le panier vers le haut.



2. Retirez 2 vis de chaque côté du cadre à l'aide d'une douille 5/16 po.
3. Débranchez la connexion de contrôle pour le tiroir convertible.

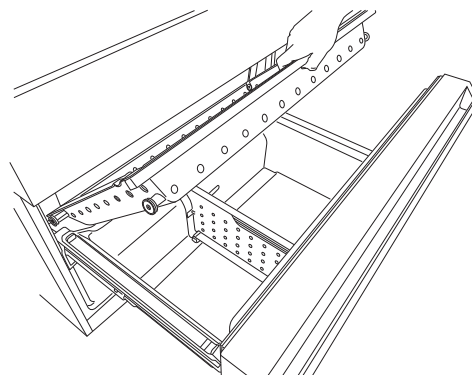


Couvercle de la connexion de la commande

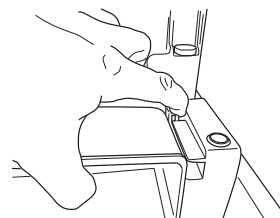
- À l'aide d'un tournevis à tête étoilée, retirez le couvercle au-dessus des connecteurs électriques sur l'intérieur droit du cadre du tiroir. Les crochets de couvercle à travers le cadre de tiroir vers l'intérieur du réfrigérateur.
- Pressez la languette au centre du connecteur pour séparer.
- Retirez la porte en la soulevant pour la dégager des crochets

6 RETRAIT DU BAC À PIZZA ET DU PANIER DE CONGÉLATEUR INFÉRIEUR (sur certains modèles)

1. Poussez le panier du tiroir de congélateur supérieur jusqu'au bout à l'intérieur du compartiment congélateur.
2. Tirez le plateau à pizza jusqu'au bout vers l'extérieur et soulevez-le jusqu'à pouvoir le sortir.



3. Pressez la languette sur le support droit pour retirer le bac du tiroir du congélateur.



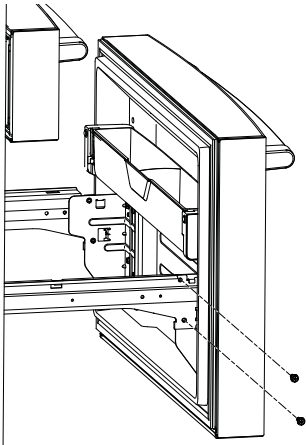
4. Soulevez le panier du tiroir congélateur inférieur légèrement vers l'arrière, puis vers le haut et hors du tiroir.
5. Tirez le panier inférieur et glissez le mécanisme coulissant à sa pleine extension à l'aide des deux mains.
6. Retirez le panier qui repose sur les glissières.

Instructions d'installation

INSTALLATION DU RÉFRIGÉRATEUR (suite)

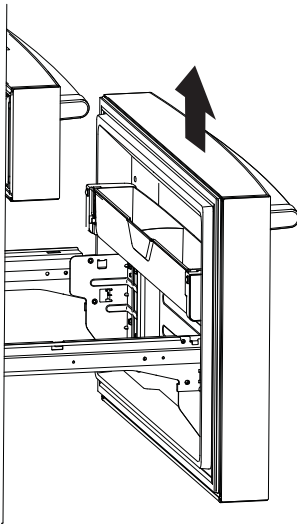
7 RETRAIT DE LA PORTE DU CONGÉLATEUR (sur certains modèles)

1. Tirez sur la porte du congélateur jusqu'à ce qu'elle soit complètement ouverte.
2. Retirez deux vis de chaque côté du cadre à l'aide d'une douille 5/16 po.



ATTENTION Risque lors du levage de charge
La porte du congélateur est lourde. Utilisez les deux mains pour maintenir la porte avant de la soulever.

3. Retirez la porte en la soulevant pour la dégager des crochets.

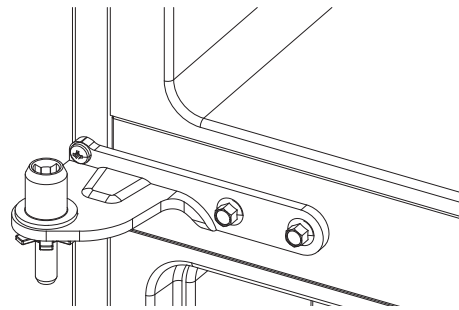


4. Poussez les glissières du panier inférieur vers l'arrière jusqu'à ce que le mécanisme coulissant se rétracte de lui-même.

8 RETIRER LA PORTE INFÉRIEURE GAUCHE (sur certains modèles)

AVERTISSEMENT Suivez toutes les étapes pour retirer et réinstaller la porte. L'omission de suivre ces instructions, de ne pas utiliser toutes les pièces, ou le serrage excessif des vis, peuvent causer la chute de la porte et occasionner des blessures ou des dommages à la propriété.

1. Fixez fermement la porte en position fermée avec du ruban cache ou demandez à une autre personne de supporter la porte.



2. Retirez la charnière centrale à l'aide d'une douille 5/16 po et d'un tournevis cruciforme.
3. Retirez le ruban en gardant la porte aussi droite que possible, puis soulevez-la pour l'enlever.

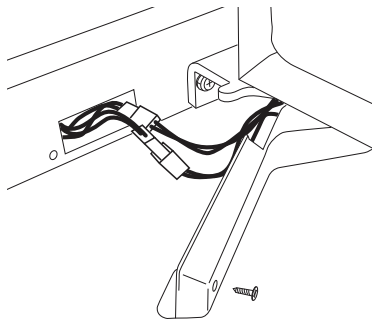
ATTENTION Risques lors du levage
Un levage avec une seule personne peut provoquer des blessures. Utilisez de l'aide lors de la manipulation, le déplacement ou le levage des portes du réfrigérateur.

Instructions d'installation

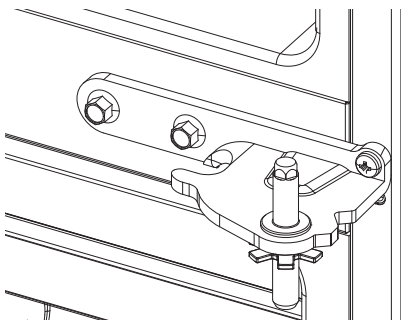
INSTALLATION DU RÉFRIGÉRATEUR (suite)

9 RETIRER LA PORTE INFÉRIEURE DROITE (sur certains modèles)

- Ouvrez la porte inférieure droite à 90°.
- Retirez le couvercle de charnière inférieure en retirant la vis cruciforme et détachant le couvercle de la charnière.



- Débranchez 2 faisceaux de fils.
- Fixez fermement la porte en position fermée avec du ruban cache ou demandez à une autre personne de supporter la porte.
- Retirez la charnière centrale à l'aide d'une douille 5/16 po et d'un tournevis cruciforme.



- Retirez le ruban en gardant la porte aussi droite que possible, puis soulevez-la pour l'enlever.

⚠ ATTENTION Risque relié au soulèvement

La porte du congélateur est lourde. Soulevez prudemment la porte avec vos deux mains.

- Tirez et déployez complètement le mécanisme à glissière du panier inférieur avec les deux mains.
- Soulevez la porte du congélateur et alignez les crochets avec les encoches des mécanismes à glissière. **REMARQUE** : Placez d'abord un côté puis alignez l'autre côté.
- Réinstallez les vis de fixation et serrez-les à un couple de 7,34 Nm (65 po-lb).

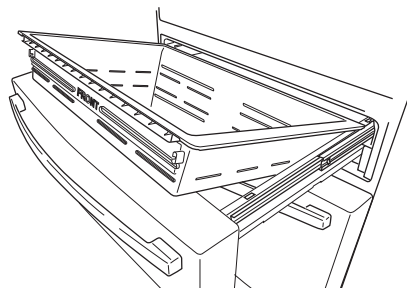
Pour réassembler les portes, effectuez les étapes de retrait à l'inverse. Assurez-vous que les fils passent dans la charnière inférieure droite.

10 RETRAIT DE LA CHARNIÈRE INFÉRIEURE (si nécessaire) (sur certains modèles)

Retirez les vis fixant la charnière à la carrosserie. Les vis internes nécessitent une douille de 5/16 po. Les vis extérieures nécessitent un tournevis à tête cruciforme no 2.

11 RÉINSTALLATION DU TIROIR CONVERTIBLE

Pour remonter les portes, inversez les étapes de retrait. Le panier de tiroir convertible sera lâche s'il est réinstallé à l'envers. Repérez le mot embossé « FRONT » (devant) pour faciliter la réinstallation.



Instructions d'installation

INSTALLATION DU RÉFRIGÉRATEUR (suite)

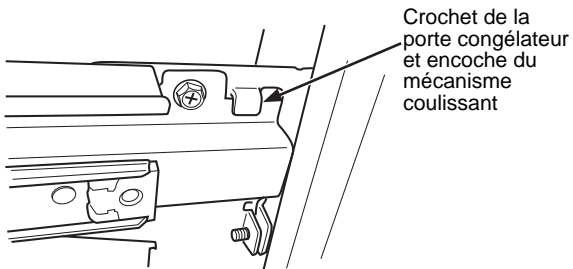
12 REINSTALLATION DE LA PORTE DU CONGÉLATEUR

ATTENTION Risque lors du levage de charge

La porte du congélateur est lourde. Utilisez les deux mains pour maintenir la porte avant de la soulever.

1. Tirez le mécanisme coulissant du panier inférieur à sa pleine extension à l'aide des deux mains.
2. Soulevez la porte congélateur et alignez les crochets sur les encoches du mécanisme coulissant.

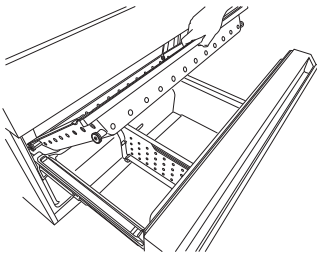
REMARQUE : Placez un côté d'abord, puis alignez l'autre côté.



3. Réinstallez les vis de fixation et vissez-les au couple de 65 lb-po (7,34 N m).

13 RÉINSTALLATION DU BAC À PIZZA ET DU PANIER DE CONGÉLATEUR INFÉRIEUR

1. Réinstallez d'abord le panier de congélateur inférieur, puis le tiroir à pizza.



2. Vérifiez le fonctionnement en douceur des paniers.
3. Réinstallez le tiroir de congélateur en plaçant les roulettes du tiroir sur le dessus du chemin de roulement monté sur le côté des parois du congélateur. Les roulettes du tiroir de congélateur doivent se trouver sur le dessus des côtés du panier inférieur.

14 RÉINSTALLATION DES PORTES INFÉRIEURES GAUCHE ET DROITE (sur certains modèles)

AVERTISSEMENT

Suivez toutes les étapes pour retirer et réinstaller la porte. L'omission de suivre ces instructions, de ne pas utiliser toutes les pièces, ou le serrage excessif des vis, peuvent causer la chute de la porte et occasionner des blessures ou des dommages à la propriété.

ATTENTION

Risques lors du levage

Un levage avec une seule personne peut provoquer des blessures. Utilisez de l'aide lors de la manipulation, le déplacement ou le levage des portes du réfrigérateur.

1. Réinstallez d'abord les charnières inférieures (si nécessaire) et serrez les vis de 5/16 po à un couple de 7,35 Nm (65 po-lb) et les petites vis à un couple de 2,82 Nm (25 po-lb). Tournez la vis sur 1/3 de tour dès qu'elle est à niveau avec la surface mate pour atteindre les couples de serrage.
2. En plaçant la porte à un angle de 90° devant la carrosserie, abaissez la porte du réfrigérateur sur la charnière inférieure en tirant prudemment le faisceau de fils par la charnière droite. Fermez la porte et maintenez la fermer avec du ruban.
3. Réinstallez la charnière centrale en effectuant l'étape 1 ci-dessus.
4. Retirez le ruban.
5. Ouvrez la porte inférieure droite à un angle de 90°.
6. Raccordez les deux faisceaux de fils.
7. Réinstallez les couvercles sur les deux charnières inférieures (si nécessaire).

Instructions d'installation

INSTALLATION DU RÉFRIGÉRATEUR (suite)

15 RÉINSTALLATION DES POIGNÉES SUPÉRIEURES GAUCHE ET DROITE

⚠ AVERTISSEMENT

Suivez toutes les étapes pour retirer et réinstaller la porte. L'omission de suivre ces instructions, de ne pas utiliser toutes les pièces, ou le serrage excessif des vis, peuvent causer la chute de la porte et occasionner des blessures ou des dommages à la propriété.

⚠ ATTENTION

Risques lors du levage

Un levage avec une seule personne peut provoquer des blessures. Utilisez de l'aide lors de la manipulation, le déplacement ou le levage des portes du réfrigérateur.

1. Réinstallez d'abord la charnière centrale et serrez la vis de ¼ de po à un couple de 7,34 Nm (65 po-lb) et la petite vis à un couple de 2,82 Nm (25 po-lb). Tournez la vis sur 1/3 de tour jusqu'à ce qu'elle soit à niveau avec la surface mate pour atteindre ces couples.

2. Abaissez la porte du réfrigérateur sur la charnière centrale.
3. Fermez la porte et appliquez du ruban pour la garder fermée ou faites appel à une autre personne pour soutenir la porte.
4. Réinstallez en suivant les instructions de retrait à l'inverse.
5. Assurez-vous de réinstaller le fil de mise à la terre et le protecteur de cordon à la charnière supérieure.
6. Réinstallez le capuchon de charnière. **REMARQUE** : Assurez-vous que les fils ne sont pas coincés ou sous le bossage de la vis avant de serrer les vis

16 RACCORDEMENT DU RÉFRIGÉRATEUR À LA CONDUITE D'EAU DE LA MAISON

Une alimentation d'eau froide est requise pour faire fonctionner la machine à glaçons automatique. Vous devrez en fournir une si elle n'existe pas. Consultez la section « Installation de l'alimentation en eau ».

REMARQUES :

- Avant de raccorder la conduite d'eau au réfrigérateur, assurez-vous que le cordon d'alimentation électrique du réfrigérateur n'est pas branché à la prise murale.
- Si votre réfrigérateur n'est pas équipé de filtre à eau, nous recommandons d'en monter un si votre alimentation d'eau contient du sable ou des particules qui peuvent boucher la grille du robinet d'eau du réfrigérateur. Installez le dans la conduite d'alimentation d'eau froide près du réfrigérateur. Si vous utilisez une trousse SmartConnect™ Refrigerator Tubing, vous aurez besoin d'un tuyau supplémentaire (WX08X10002) pour brancher le filtre. Ne coupez pas le tuyau en plastique pour installer le filtre.
- Avant de raccorder la conduite d'eau à la maison, purgez la ligne de la maison pendant au moins 2 minutes.

1. Si vous utilisez un tuyau de cuivre, placez un écrou de compression et une bague (manchon) à l'extrémité du tuyau qui vient de l'alimentation d'eau froide de la maison.
Si vous utilisez le tuyau SmartConnect™, les écrous sont déjà assemblés au tuyau.

2. Si vous utilisez un tuyau de cuivre, insérez aussi loin que possible l'extrémité du tuyau dans le raccord à l'arrière du réfrigérateur. Tout en tenant le tuyau, serrez le raccord.

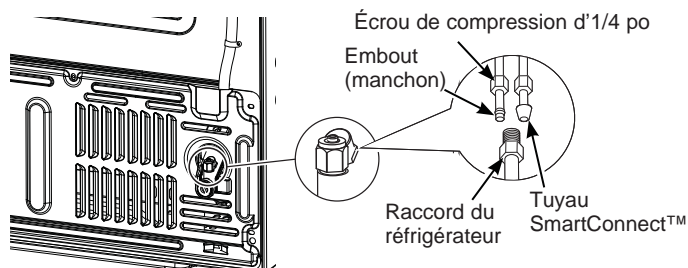
Si vous utilisez un tuyau SmartConnect™, insérez l'extrémité moulée du tuyau dans le raccord à l'arrière du réfrigérateur, puis serrez l'écrou à compression à la main. Serrez ensuite d'un autre tour à l'aide d'une clé. Des fuites peuvent survenir si l'écrou est trop serré.

3. Fixez le tuyau dans le collier de serrage fourni pour le maintenir en position. Vous aurez peut-être besoin d'écarter la bride.

⚠ AVERTISSEMENT

Raccordez-vous à une alimentation en eau potable seulement.

Une alimentation en eau potable est requise pour le fonctionnement de la machine à glaçons. La pression d'eau doit se situer entre 40 et 120 psi (275 à 827 kilopascals).



⚠ AVERTISSEMENT



RISQUE DE DÉCHARGE

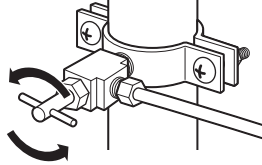
ÉLECTRIQUE Fixez le collier de serrage dans le trou présent seulement. NE PERCEZ PAS dans le réfrigérateur.

Instructions d'installation

INSTALLATION DU RÉFRIGÉRATEUR (suite)

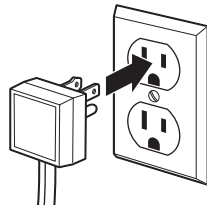
17 OUVRIR L'ALIMENTATION EN EAU

Ouvrez l'alimentation d'eau au niveau du robinet d'arrêt (alimentation en eau de la maison) et vérifiez qu'il n'y a pas de fuite.



18 BRANCHEMENT DU CORDON D'ALIMENTATION DU RÉFRIGÉRATEUR

Veuillez lire les informations de mise à la terre fixées au cordon d'alimentation.

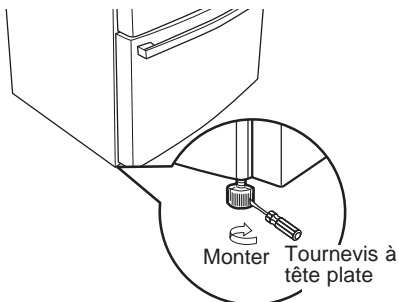


19 MISE À NIVEAU DU RÉFRIGÉRATEUR

Les pieds de mise à niveau servent :

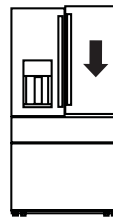
1. à ajuster le réfrigérateur pour que celui-ci soit correctement positionné sur le sol et ne vacille pas
 2. de frein pour stabiliser le réfrigérateur pendant son utilisation et son nettoyage. Les pieds de mise à niveau permettent aussi d'empêcher le réfrigérateur de basculer.
- Tournez les pieds de mise à niveau dans le sens des aiguilles d'une montre pour relever le réfrigérateur et dans le sens inverse des aiguilles d'une montre pour l'abaisser.

REMARQUE : Pour éviter tout dommage matériel, les pieds de mise à niveau doivent bien reposer sur le sol.

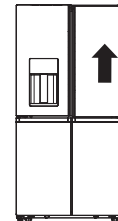


20 MISE À NIVEAU DES PORTES DU RÉFRIGÉRATEUR

Rappelez-vous qu'il est nécessaire que le réfrigérateur soit de niveau pour que les portes soient parfaitement de niveau. Si vous avez besoin d'aide, consultez la section précédente sur la mise à niveau du réfrigérateur.



Lorsque la porte de gauche est plus basse que la porte de droite.

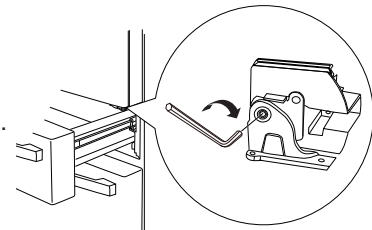
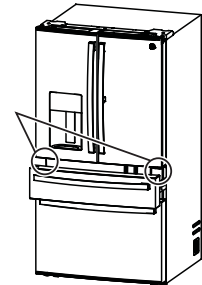


Lorsque la porte de gauche est plus haute que la porte de droite.

Pour les modèles à deux tiroirs :

1. Accédez aux vis de charnière en ouvrant le tiroir convertibles.
2. Insérez une clé Allen d'1/4 po dans l'axe de la charnière centrale.
3. Ajustez la hauteur en tournant dans le sens des aiguilles d'une montre ou dans le sens inverse des aiguilles d'une montre. Lorsque vous tournez dans le sens inverse des aiguilles d'une montre, la porte se déplace vers le haut.

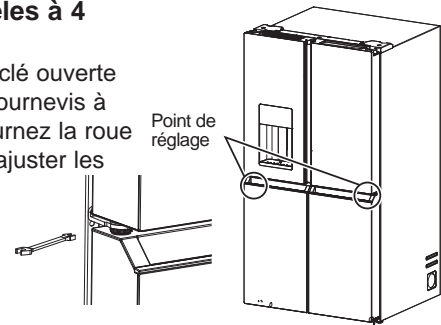
Point de réglage



Pour les modèles à 4 portes

- À l'aide d'une clé ouverte 1/4 po ou un tournevis à lame plate, tournez la roue à fentes pour ajuster les portes vers le haut ou le bas.

Point de réglage



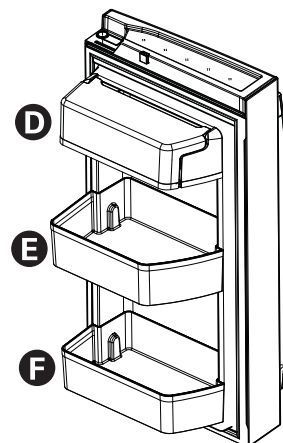
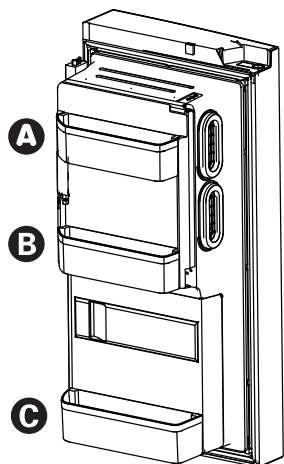
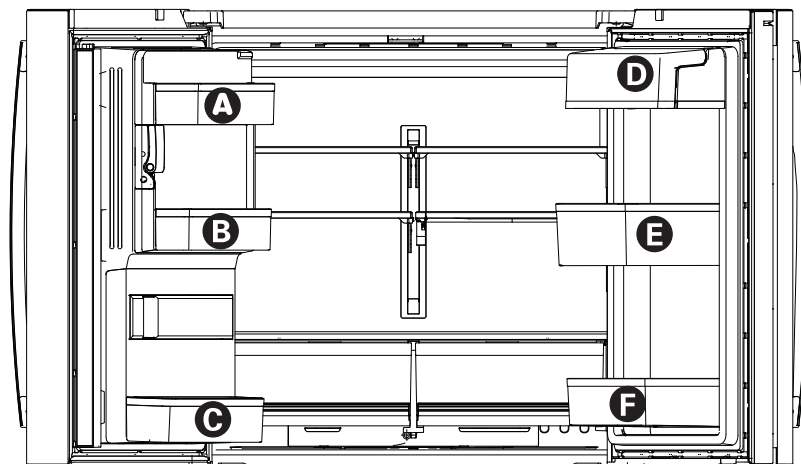
Pour ajuster la hauteur des portes inférieures :

- Retirez les couvercles des charnières gauche et droite à l'aide d'un tournevis cruciforme, puis utilisez une clé ouverte 9/16 po pour ajuster les portes vers le haut ou le bas.

Instructions d'installation

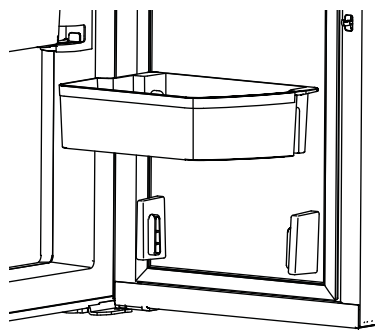
INSTALLATION DU RÉFRIGÉRATEUR (suite)

Modèles CVE



Pour placer les bacs (balconnets) dans les portes :

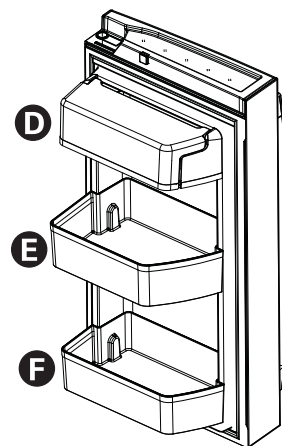
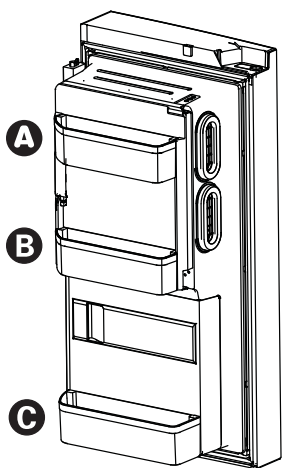
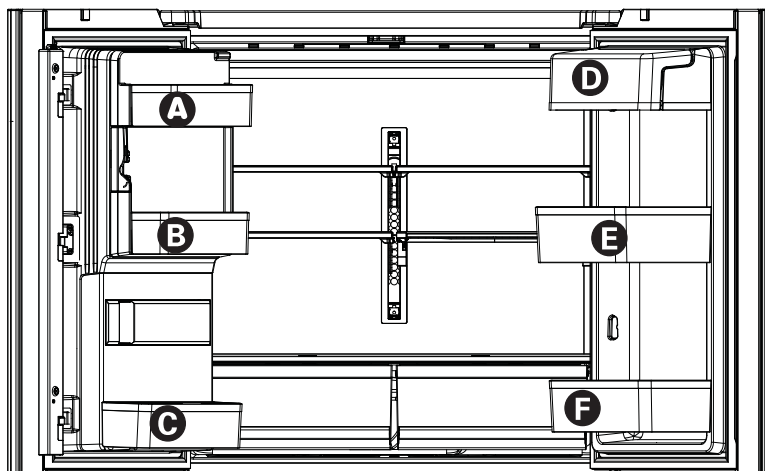
- 1 Faites correspondre le bac avec la lettre indiquée. Placez les bacs au-dessus du repère de bac et poussez vers l'avant jusqu'à insertion complète.
- 2 Poussez le bac vers le bas jusqu'à ce qu'il soit verrouillé en place.



Instructions d'installation

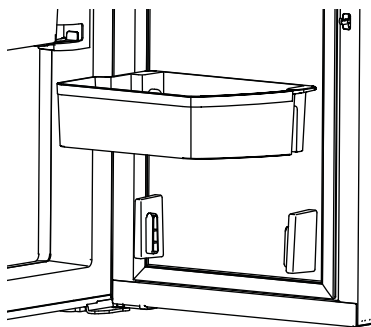
INSTALLATION DU RÉFRIGÉRATEUR (suite)

Modèles CVE



Pour placer les bacs (balconnets) dans les portes :

- 1 Faites correspondre le bac avec la lettre indiquée. Placez les bacs au-dessus du repère de bac et poussez vers l'avant jusqu'à insertion complète.
- 2 Poussez le bac vers le bas jusqu'à ce qu'il soit verrouillé en place.



Instructions d'installation

INSTALLATION DE LA CONDUITE D'EAU

AVANT DE COMMENCER

Nous recommandons les trousse d'alimentation d'eau en cuivre WX8X2, WX8X3, WX8X4, selon la longueur de tuyau dont vous avez besoin. Nous approuvons les conduites d'eau en matière plastique SmartConnect™ Refrigerator Tubing (WX08X10006, WX08X10015 et WX08X10025).

Si vous installez un système d'eau à osmose inverse GE Appliances dans votre réfrigérateur, la trousse GE Appliances RVKIT est la seule installation approuvée. Pour les autres systèmes à osmose inverse, suivez les recommandations du fabricant.

Si l'alimentation d'eau du réfrigérateur provient d'un système de filtration de l'eau par osmose inverse (OI) ET si votre réfrigérateur est équipé d'un filtre à eau, utilisez le bouchon de dérivation du filtre du réfrigérateur. En cas d'utilisation de la cartouche de filtration d'eau du réfrigérateur associée à un filtre à OI peut produire des glaçons creux. Certains modèles ne sont pas équipés d'un bouchon de dérivation de filtre. Pour en obtenir un gratuitement, visitez Electromenagersge.ca/fr/produits/filtres-et-accessoires.

L'installation de cette conduite d'eau n'est pas garantie par le fabricant du réfrigérateur ou de la machine à glaçons. Suivez attentivement ces instructions afin de minimiser le risque de fuite d'eau et de dommages onéreux.

Les coups de bélier (coups dans les tuyaux) dans la tuyauterie de la maison peuvent endommager les pièces de votre réfrigérateur et provoquer des fuites d'eau ou des inondations. Appelez un plombier certifié pour corriger les coups de bélier avant de brancher l'alimentation en eau au réfrigérateur.

Pour prévenir les brûlures et éviter d'endommager votre produit, ne branchez pas le tuyau d'eau à une conduite d'eau chaude.

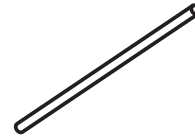
Si le réfrigérateur est mis en marche avant le raccordement de l'alimentation d'eau à la machine à glaçons, voir la section Commandes de la page 59 pour la désactivation de la machine à glaçons.

Ne pas installer la tubulure de la machine à glaçons à des endroits où la température baisse sous le point de congélation.

Lors de l'utilisation d'un appareil électrique (tel qu'une perceuse) durant l'installation, s'assurer que celui-ci est doublement isolé et qu'il est mis à la terre de façon à prévenir les chocs électriques, ou qu'il est alimenté par batterie.

Toutes les installations doivent être conformes aux codes de plomberie locaux.

PIÈCES NÉCESSAIRES



- Tuyaux en cuivre ou trousse SmartConnect™ Refrigerator Tubing, diamètre extérieur d'¼ po pour brancher le réfrigérateur à l'alimentation d'eau. Si vous utilisez un tuyau en cuivre, les deux extrémités du tuyau doivent être coupées bien droit.

Pour déterminer la longueur de tuyau dont vous avez besoin : mesurez la distance entre le robinet d'eau à l'arrière du réfrigérateur et le tuyau d'alimentation en eau. Assurez-vous d'avoir une longueur de tuyau suffisante pour permettre d'éloigner le réfrigérateur du mur après l'installation.

Les trousse de tuyauterie pour réfrigérateur SmartConnect™ sont disponibles dans les longueurs suivantes :

8 pi (2,4 m) - WX08X10006

15 pi (4,6 m) - WX08X10015

25 pi (7,6 m) - WX08X10025

⚠ AVERTISSEMENT

Raccordez-vous à une alimentation en eau potable seulement. Une alimentation en eau potable est requise pour le fonctionnement de la machine à glaçons. La pression d'eau doit se situer entre 40 et 120 psi (275 à 827 kilopascals).

Instructions d'installation

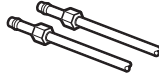
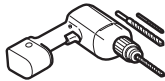
INSTALLATION DE LA CONDUITE D'EAU (suite)

PIÈCES NÉCESSAIRES (suite)

REMARQUE : Les seuls tuyaux en plastique autorisés par GE Appliances sont fournis avec la trousse SmartConnect™ Refrigerator Tubing. N'utilisez pas d'autres tuyaux d'alimentation d'eau en plastique, cette ligne étant sous pression en permanence. Certains types de plastique peuvent se fissurer ou se rompre avec le vieillissement et causer des dégâts d'eau dans votre maison.

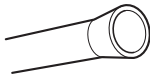
- Vous pouvez vous procurer une trousse de branchement à l'alimentation d'eau (contenant tuyau, robinet, raccords et instructions) auprès de votre fournisseur ou Electromenagersge.ca/fr/produits/filtres-et-accessoires.
- Alimentation en eau froide La pression de l'alimentation d'eau doit être entre 20 et 120 psi (1,4 à 8,1 bar).

- Perceuse électrique.
- Clé d'1/2 po ou clé réglable
- Un tournevis à tête plate et un tournevis cruciforme.

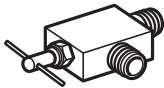


- Deux écrous à compression d'un diamètre extérieur de 1/4 po et deux bagues (manchons)—pour brancher le tuyau en cuivre au robinet d'arrêt et au robinet d'eau du réfrigérateur.
OU

- Si vous utilisez une trousse SmartConnect™ Refrigerator Tubing, les raccords nécessaires sont déjà assemblés au tuyau.



- Si votre canalisation d'eau actuelle en cuivre est équipée d'un raccord évasé à une extrémité, vous aurez besoin d'un adaptateur (que vous trouverez dans votre magasin de matériel de plomberie) pour brancher le tuyau d'eau au réfrigérateur, OU BIEN vous pouvez couper le raccord évasé à l'aide d'un coupe-tube, puis utiliser un raccord à compression. Ne coupez jamais l'extrémité finie d'un tuyau de la trousse SmartConnect™ Refrigerator Tubing.



- Robinet d'arrêt pour brancher le tuyau d'eau froide. Le robinet d'arrêt doit avoir une entrée d'eau avec un diamètre intérieur minimal de 5/32 po au point de jonction avec le TUYAU D'EAU FROIDE. Des robinets d'arrêt de type vanne à étrier sont souvent inclus dans les trousse d'alimentation d'eau. Avant d'en acheter, assurez-vous que ce type de robinet est conforme à vos codes de plomberie locaux.

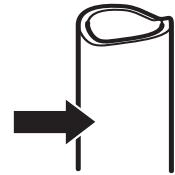
Installez le robinet d'arrêt sur la canalisation d'eau potable la plus proche.

1 FERMETURE DE L'ALIMENTATION D'EAU PRINCIPALE

Ouvrez le robinet le plus proche pour purger l'eau des tuyauteries.

2 CHOISISSEZ L'EMPLACEMENT DU ROBINET

Choisissez un emplacement pour le robinet qui soit facilement accessible. Il est préférable de se connecter sur le côté d'un tuyau vertical. Si vous devez vous connecter à un tuyau horizontal, faites le branchement vers le haut ou sur le côté, plutôt qu'en bas du tuyau pour éviter de recevoir des sédiments provenant de la conduite d'eau.

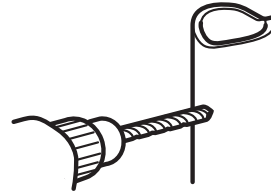


3 PERCAGE D'UN TROU POUR LE ROBINET

Percez un trou de 1/4 po dans le tuyau d'eau, à l'aide d'un foret dur, même si vous utilisez un robinet auto-forant. Enlevez toutes les bavures dues au perçage du trou dans le tuyau.

Veillez à ne pas laisser l'eau couler dans votre perceuse.

Si vous ne percez un trou d' 1/4 po, votre production de glace ainsi que la taille des glaçons seront réduites.

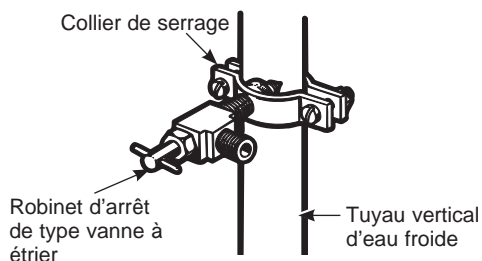


Instructions d'installation

INSTALLATION DE LA CONDUITE D'EAU (suite)

4 FASTEN THE SHUTOFF VALVE

- Fixez le robinet d'arrêt à la canalisation d'eau froide à l'aide du collier de serrage.

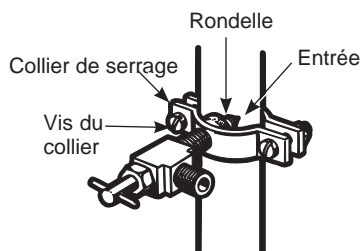


REMARQUE : L'installation sera conforme aux codes de plomberie 248CMR du Commonwealth du Massachusetts. L'utilisation de robinets-vannes à étrier sont interdites au Massachusetts. Demandez l'avis de votre plombier qualifié.

5 SERRAGE DU COLLIER

Serrez les vis du collier jusqu'à ce que la rondelle d'étanchéité commence à enfler.

REMARQUE : Ne serrez pas trop, vous risquez d'écraser le tuyau.



6 PASSAGE DU TUYAU

Faites passer le tuyau entre la conduite d'eau froide et le réfrigérateur.

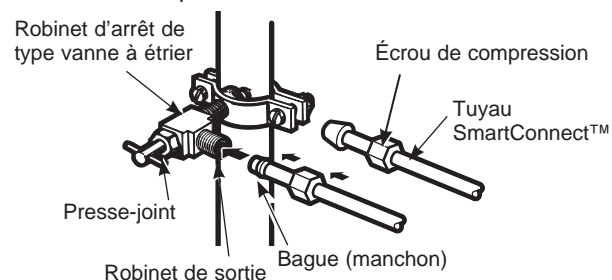
Faites passer le tuyau par un trou percé dans le mur ou le plancher (derrière le réfrigérateur ou au niveau du placard adjacent) aussi près du mur que possible.

7 BRANCHEMENT DU TUYAU AU ROBINET

Placez un écrou de compression et une bague (manchon) à l'extrémité du tuyau et branchez-les au robinet d'arrêt.

Assurez-vous que le tuyau soit bien inséré dans le robinet. Serrez bien l'écrou de compression.

Pour le tuyau en matière plastique d'une trousse SmartConnect™ Refrigerator Tubing, insérez l'extrémité moulée du tuyau dans le robinet d'arrêt et serrez l'écrou de compression à la main, puis serrez d'un tour supplémentaire avec une clé. Des fuites peuvent survenir si l'écrou est trop serré.



REMARQUE : L'installation sera conforme aux codes de plomberie 248CMR du Commonwealth du Massachusetts. L'utilisation de robinets-vannes à étrier sont interdites au Massachusetts. Demandez l'avis de votre plombier qualifié.

8 PURGE DU TUYAU

Ouvrez le robinet d'alimentation principale d'eau et purgez le tuyau jusqu'à ce que l'eau soit claire.

Fermez l'eau au niveau du robinet d'eau après écoulement d'environ 1 litre (1 quart) d'eau par le tuyau ou au bout de 2 minutes.



Pour terminer l'installation du réfrigérateur, retournez à l'étape 12 de la section Installation du réfrigérateur.

Conditions normales de fonctionnement

Les réfrigérateurs plus récents font des bruits différents de ceux des anciens.

Les réfrigérateurs modernes proposent plus de fonctions et sont plus avancés sur le plan technologique.

Entendez-vous ce que j'entends ? Ces conditions sont normales.

HUMMM...

WHOOSH...

- Le nouveau compresseur à rendement élevé peut fonctionner plus longtemps et plus vite que votre ancien réfrigérateur et vous pouvez entendre un son modulé ou un ronflement aigu pendant son fonctionnement.
- Vous entendrez peut-être un sifflement lorsque les portes se ferment.
- Ceci est dû à l'équilibrage de la pression dans le réfrigérateur. Après distribution de glace, un moteur ferme la goulotte de glace pour empêcher l'air tiède ambiant d'entrer dans le seau à glace, permettant ainsi de maintenir la glace à une température en dessous de zéro.

Le ronronnement du moteur fermant la goulotte de glaçons est normal, quelques instants après la distribution de glace.



- Vous pouvez entendre les ventilateurs tourner à hautes vitesses. Cela se produit lorsque le réfrigérateur vient d'être branché, lorsque les portes sont ouvertes fréquemment ou lors de l'ajout d'une grande quantité d'aliments dans le réfrigérateur ou le congélateur. Les ventilateurs permettent de maintenir les bonnes températures.
- La vitesse des ventilateurs varie pour fournir un refroidissement et une économie d'énergie optimum.

CLICS, CRAQUEMENTS ET CLAQUEMENTS

- Vous entendrez peut-être des craquements ou des bruits secs lorsque le réfrigérateur vient d'être branché. Ceci se produit lorsque le réfrigérateur se refroidit pour atteindre la bonne température.
- L'expansion et la contraction des serpentins de refroidissement pendant et après le dégivrage peuvent provoquer des craquements ou des claquements.
- Sur les modèles équipés d'une machine à glaçons, après un cycle de fabrication de glaçons, vous entendrez les glaçons tomber dans le seau à glace.
- Sur les modèles équipés d'un distributeur, au cours de la distribution d'eau, vous entendrez peut-être le déplacement des tuyaux d'eau au début de la distribution et après avoir relâché le bouton du distributeur.
- Ceci est dû à l'équilibrage de la pression dans le réfrigérateur. Après distribution de glace, un moteur ferme la goulotte de glace pour empêcher l'air tiède ambiant d'entrer dans le seau à glace, permettant ainsi de maintenir la glace à une température en dessous de zéro.

BRUITS D'EAU



- La circulation du liquide frigorigène dans le système provoque parfois des gargouillements comme de l'eau en ébullition.
- L'eau qui tombe sur le chauffage de dégivrage peut parfois provoquer des crépitements, des bourdonnements pendant le cycle de dégivrage.
- Vous entendrez peut-être des bruits de ruissellement pendant le cycle de dégivrage quand la glace sur l'évaporateur fond et coule dans le bac collecteur.
- La fermeture de la porte peut provoquer un gargouillement dû à l'équilibrage de la pression.

REFROIDISSEMENT AU DÉMARRAGE

24 heures peuvent être nécessaires pour que les températures dans le réfrigérateur et le congélateur correspondent à celles affichées à l'écran. Pendant ce temps, il est préférable de réduire au maximum l'ouverture des portes du réfrigérateur et du congélateur.

CONSEILS

- Le congélateur se refroidit en premier.
- Le compartiment de réfrigération se refroidit en dernier, cela peut prendre plusieurs heures après le congélateur.
- En éteignant la machine à glaçons, les aliments dans le congélateur et le réfrigérateur se refroidissent plus rapidement.

Conseils de dépannage... Avant de faire un appel de service

Économisez temps et argent! Consultez d'abord les tableaux des pages suivantes et vous pourriez vous éviter un appel de service.

Problème	Causes Possibles	Solution
Il n'y a pas de filtrage	Le bouchon de filtration du filtre est installé Contrôles B et C	Installez un filtre à eau approprié
Réinitialisation du filtre à eau Filtre à eau périmé	Le filtre à eau fuit ou doit être remplacé.	Remplacez le filtre à eau, ou installez le bouchon de dérivation*. Pour réinitialiser le temporisateur du filtre, appuyez sur le bouton Settings (réglages) (⚙️) jusqu'à ce que le mot « Icemaker » (machine à glaçons) s'allume puis maintenez simultanément les boutons « Water » et « Ice » enfoncés pendant trois (3) secondes.
Le voyant lumineux du filtre à eau est éteint	Ceci est normal. Ce voyant s'allume pour vous signaler que le filtre devra bientôt être remplacé.	Consultez la section <i>A propos du Filtre à Eau</i> pour de plus amples informations.
La poignée est lâche/Il y a un espace vide au niveau de la poignée.	La poignée doit être ajustée.	Consultez les sections Fixation de la Poignée du Compartiment de Réfrigération et Fixation de la Poignée du Congélateur pour des instructions détaillées.
Le réfrigérateur bipe	L'alarme de porte émet des bips	Arrêtez-la ou désactivez-la avec la porte fermée. Si la porte est ouverte et l'alarme retentit, vous ne pouvez qu'arrêter l'alarme.
Lumières du réfrigérateur éteintes et « SA » apparaît sur l'afficheur	L'appareil est en mode Sabat	Pressez simultanément les touches Fonctions (⚙️) button, Eau , et Éclairage durant trois secondes pour quitter le mode Sabbat.
Pas de refroidissement	Le système de refroidissement est éteint	Consultez la section <i>A propos des commandes</i>
L'eau a un mauvais goût ou une mauvaise odeur	Le distributeur d'eau n'a pas été utilisé pendant une longue période.	Tirez de l'eau jusqu'à ce que toute l'eau du système soit remplacée.
L'eau dans le verre est tiède*	Ceci est normal lorsque le réfrigérateur vient d'être branché	Attendez 24 heures pour que le réfrigérateur refroidisse complètement
	Le distributeur d'eau n'a pas été utilisé pendant une longue période	Tirez de l'eau jusqu'à ce que toute l'eau du système soit remplacée.
	Le système d'eau a été vidangé	Attendez quelques heures pour que l'eau se refroidisse.
Le distributeur d'eau ne fonctionne pas	Le robinet d'eau est fermé ou n'est pas branché.	Consultez la section <i>Installation de la conduite d'eau</i>
	Le filtre à eau est bouché ou le filtre/le bouchon de dérivation n'est pas installé	Remplacez la cartouche de filtre ou retirez le filtre et installez le bouchon de dérivation**.
	De l'air peut être piégé dans le système d'eau.	Appuyez sur le bras de distribution pendant au moins 5 minutes.
	L'eau dans le réservoir est gelée parce que les commandes sont réglées sur une température trop froide.	Réglez la commande du réfrigérateur sur une température plus élevée et attendez 24 heures. Si le distributeur ne donne pas d'eau au bout de 24 heures, contactez un réparateur
L'eau jaillit du distributeur	La cartouche du filtre vient d'être installée	Faites couler l'eau du distributeur pendant 5 minutes (environ 2 gallons ou 7,5 litres).
Pas de production d'eau ou de glaçons	La ligne d'alimentation ou le robinet d'arrêt est bouché	Appelez un plombier
	Le filtre à eau est bouché	Remplacez la cartouche de filtre ou retirez le filtre et installez le bouchon de dérivation**.
	La cartouche du filtre n'est pas correctement installée	Retirez et réinstallez la cartouche de filtre, en étant certain qu'elle est bien verrouillée
	La machine à glaçons est éteinte	Vérifier que la machine à glaçons est en marche Consultez la section <i>À propos de la machine à glaçons automatique</i>

*Certains modèles ne sont pas équipés d'un bouchon de dérivation de filtre. Pour en obtenir un gratuitement, visitez cafeappliances.com.

Conseils de dépannage... Avant de faire un appel de service

Problème	Causes Possibles	Solution
L'eau jaillit du distributeur*	L'air est peut être présent dans le système d'alimentation en eau, amenant l'eau à goutter après distribution	Distribuez de l'eau pendant au moins 5 minutes pour éliminer l'air du système
AUTO FILL (Remplissage automatique) : Remplissage manquant/Pas de remplissage*	Tout récipient ne peut pas servir pour le AUTO FILL (remplissage automatique).	Essayer un récipient différent
	Message d'erreur.	Voir p.12 Nettoyez le capteur. Voir p.12
Débordements dus au AUTO FILL (remplissage automatique) *	Tout récipient ne peut pas servir pour le AUTO FILL (remplissage automatique).	Essayez un contenant différent. Utilisez moins de glace. Assurez-vous que vos mains sont éloignées de la tasse avant d'appuyer sur la touche AutoFill (remplissage automatique).
Le congélateur refroidit mais pas le compartiment de réfrigération	Ceci est normal lorsque le réfrigérateur vient d'être branché ou après une panne d'électricité d'une longue durée.	Attendez 24 heures pour que la température dans les deux compartiments atteigne les températures sélectionnées.
Le distributeur de glace s'ouvre après la fermeture du tiroir du congélateur*	Normal	La porte du distributeur de glace peut s'ouvrir après la fermeture de la porte du congélateur pour permettre l'accès
La porte de mon réfrigérateur grince	Diminution de lubrifiant causée par son nettoyage accidentel sur la charnière.	Il est préférable de commander le lubrifiant GEA, numéro de pièce WR97X166, et de l'appliquer sur la charnière à l'endroit indiqué. Il est possible de vaporiser certains lubrifiants non toxiques tels que l'enduit à cuisson antiadhésif à base de silicone, la gelée de pétrole ou un lubrifiant alimentaire approuvé NSF. IMPORTANT : N'utilisez pas le WD-40 car il éliminera toute graisse résiduelle dans et autour de la charnière.
	Nivellement incorrect	Assurez-vous que l'appareil est de niveau
	Si les portes ont été enlevées et remontées lors de l'installation, le tuyau d'eau et le faisceau de fils sous le couvercle de charnière supérieure peuvent s'être déplacés et frotter contre la porte lorsqu'elle pivote.	Retirez le couvercle de charnière supérieure et assurez-vous que le tuyau d'eau et le faisceau de fils qui passent à travers l'axe de charnière ont été correctement placés et qu'ils ne touchent aucune pièce de porte pendant la rotation. L'application d'un lubrifiant de qualité alimentaire autour du manchon de porte peut aussi aider.

*Certains modèles ne sont pas équipés d'un bouchon de dérivation de filtre. Pour en obtenir un gratuitement, visite cafeappliances.com.

Mythe ou réalité

ENTRETIEN Avant d'appeler un technicien, consultez les conseils de dépannage détaillées dans le mode d'emploi. Si nécessaire, le service peut être prévue en nous visitant notre site web electromenagersge.ca.

Mythe ou réalité

Mythe ou réalité ?	Réponse	Explication
Le filtre à eau du réfrigérateur peut nécessiter un remplacement en-deçà de six mois.	VRAI	Le voyant du filtre à eau indiquera la nécessité de remplacer le filtre tous les six mois, ou suite à la distribution de 644 litres (170 gallons) d'eau (certains modèles seulement). Si le débit d'eau du distributeur ralentit ou si la production de glace diminue, le filtre à eau doit être remplacé, même si l'indicateur de filtre peut ne pas indiquer la nécessité d'un remplacement.
La machine à glaçons automatique dans mon réfrigérateur produira de la glace lorsque le réfrigérateur est branché à une prise secteur.	MYTHE	Le réfrigérateur doit être raccordé à une alimentation en eau et la machine à glaçons doit être allumée. Assurez-vous que la machine à glaçons est en marche, mais seulement après avoir raccordé le système à l'alimentation en eau et que celle-ci est ouverte. La machine à glaçons peut être allumée ou éteinte à partir des commandes. Veillez à ce que la machine à glaçons soit en marche, comme indiqué sur le panneau de commande du réfrigérateur. Consultez la section <i>À propos de la machine à glaçons automatique</i> .
Une fois que le réfrigérateur est branché à une prise électrique et raccordé à une alimentation en eau, j'aurai immédiatement des quantités illimitées d'eau glacée disponibles au distributeur d'eau.	MYTHE	Le bac du distributeur d'eau situé à l'intérieur du réfrigérateur sert à stocker l'eau à distribuer. 24 heures sont nécessaires pour que l'eau de ce réservoir soit refroidie après l'installation. Une utilisation trop importante ne permet pas à l'eau de se refroidir.
Après distribution d'une quantité d'eau, la présence de quelques gouttes d'eau est normale.	VRAI	Quelques gouttes d'eau peuvent tomber du distributeur après que le bras de distribution ait été relâché. Pour minimiser les pertes, retirez lentement votre verre du distributeur.
Il n'y aura jamais de givre dans le compartiment de congélation.	MYTHE	La présence de givre dans le congélateur indique généralement que la porte n'est pas bien fermée ou a été laissée ouverte. En cas de givre, éliminez l'aide d'une spatule en plastique et d'un torchon. Puis vérifiez qu'aucun aliment ou conteneur empêche la fermeture de la porte du congélateur. Vérifiez sur le panneau de contrôle du réfrigérateur si l'alarme de la porte est activée.
Après installation du réfrigérateur ou après le remplacement de la cartouche filtrante, je dois tirer de l'eau pendant cinq minutes.	VRAI	Un réfrigérateur ou un filtre à eau nouvellement installé contient de l'air dans les tuyaux d'eau. Appuyez sur le bras du distributeur pour tirer de l'eau froide pendant au moins 5 minutes pour éliminer l'air du tuyau d'alimentation en eau et rincer le filtre.
Pour remplir le seau à glace jusqu'à sa capacité maximale, je dois distribuer des glaçons environ 12 à 18 heures après l'installation.	VRAI	La distribution de 3 ou 4 glaçons, entre 12 heures et 18 heures après l'installation, permet à la glace de se disperser dans le seau à glace. Celui-ci indique à la machine à glaçons de produire des glaçons supplémentaires. Production normale de glaçons = 100 glaçons en 24 heures.
Je peux utiliser le bouchon de dérivation du filtre à eau pour déterminer si le filtre doit être remplacé.	VRAI	La réduction de débit du distributeur d'eau ou de la production de glace peut indiquer la nécessité de remplacer le filtre à eau. Installez le bouchon de dérivation du filtre à eau (fourni avec le réfrigérateur sur certains modèles*), et vérifiez le débit au niveau du distributeur. Si le débit d'eau revient à la normale avec le bouchon de dérivation en place, remplacez le filtre à eau.
La partie supérieure de la porte du réfrigérateur sera toujours alignée.	MYTHE	Plusieurs facteurs peuvent affecter l'alignement des portes du compartiment de réfrigération, y compris le sol sur lequel le réfrigérateur est installé et la quantité d'aliment (charge) dans les portes. Si les parties supérieures des portes du compartiment de réfrigération ne sont pas alignées, utilisez une clé Allen de 6,3 mm (1/4 po) pour ajuster les portes gauche et droite. La vis de réglage se trouve sur le côté inférieur gauche ou droit de la porte. Ouvrez la porte du congélateur pour accéder à cette vis.
Les poignées de porte du réfrigérateur peuvent être facilement resserrées.	VRAI	Si les poignées de porte sont lâches ou s'il y a un espace vide au niveau de la poignée, celle-ci peut être ajustée à l'aide d'un clé Allen d'1/8 po sur les vis de réglage situées sur les extrémités des poignées.
Il peut y avoir des problèmes d'odeur et de goût avec votre glace.	VRAI	Après la mise en marche de la machine à glaçons, jetez les premières 24 heures de production de glace pour éviter tous problèmes d'odeur et de goût.
Je peux effectuer des réglages précis des portes du compartiment de réfrigération pour les aligner.	VRAI	Si les portes du compartiment de réfrigération ne sont pas alignées, utilisez une clé Allen d'1/4 po pour ajuster la porte de droite. La vis de réglage est située au bas de les portes gauche et droite. Ouvrez la porte du congélateur pour y accéder.

Mythe ou réalité

ENTRETIEN Avant d'appeler un technicien, consultez les conseils de dépannage détaillées dans le mode d'emploi. Si nécessaire, le service peut être prévue en nous visitant notre site web electromenagersge.ca.

Mythe ou réalité

Truth or Myth?	Answer	Explanation
Les poignées de porte doivent toujours être retirées pour l'installation.	MYTHE	Si les portes doivent être retirées ou si le réfrigérateur passe facilement dans les ouvertures, ne retirez pas les poignées. Ajustez les poignées qui sont lâches ou s'il y a un espace vide au niveau de celles-ci, en ajustant les vis de réglage à chaque extrémité des poignées.
Les portes doivent toujours être retirées pour l'installation.	MYTHE	Consultez le tableau au verso de ces instructions. Les portes doivent uniquement être enlevées lorsque cela est nécessaire pour prévenir les dommages provoqués par des ouvertures trop étroites ou pour accéder à l'emplacement final.
Les portes du réfrigérateur vont se fermer d'elles-mêmes si elles sont laissées ouvertes.	MYTHE	Les portes du réfrigérateur doivent être fermées par l'utilisateur. Certains modèles sont dotés d'une fonction procurant un léger rebond qui génère une réaction positive de l'utilisateur afin qu'il puisse compléter la fermeture de la porte.
Les roues arrière peuvent être ajustées.	MYTHE	Les pieds de nivellement avant sont réglables et doivent être utilisés pour équilibrer le réfrigérateur. Les pieds de nivellement sont utilisés pour procéder au réglage initial de la porte réfrigérateur.
Vérifiez l'absence de fuites d'eau après avoir effectué tous les raccordements.	VRAI	Lorsque vous purgez l'air du système, vérifiez l'absence de fuites au niveau de toutes les connexions. Vérifiez la connexion à l'alimentation en eau du domicile à l'arrière du réfrigérateur ainsi que la connexion de ce tuyau au niveau de la porte.
Tout résidu d'emballage peut être nettoyé à l'aide de n'importe quel détergent.	MYTHE	N'utilisez pas de cire, de javellisant ou de tout autre produit contenant du chlore sur les panneaux, les poignées de porte et les garnitures en acier inoxydable. Vérifiez ces instructions dans la section Nettoyage de l'extérieur du réfrigérateur pour plus de détails.

*Certains modèles ne sont pas équipés d'un bouchon de dérivation de filtre. Pour en obtenir un gratuitement, Visitez-nous sur cafeappliances.com/parts. Au Canada, visitez cafeappliances.ca/service.

Garantie limitée du réfrigérateur Café

cafeappliances.ca

Toutes les réparations en vertu de la garantie sont fournies par nos Centre de Service d'Usine ou par un technicien en réparation autorisé. Pour prévoir une réparation, consultez notre site cafeappliances.ca/service. Veuillez avoir votre numéro de série et votre numéro de modèle à portée de main lorsque vous appelez pour obtenir un service.

Pour le diagnostic, la réparation de votre réfrigérateur peut nécessiter l'utilisation du port de données embarqué. Celui-ci permet au technicien de réparation Café de diagnostiquer rapidement des problèmes avec votre appareil. Il permet également à Café d'améliorer ses produits en fournissant à ces derniers des informations sur votre appareil. Si vous ne voulez pas que les données de votre appareil soient envoyées à Café, veuillez demander à votre technicien de NE PAS soumettre les données à Café pendant la réparation.

Pendant la période de garantie de :	CAFÉ remplacera :
Un An A compter de la date d'achat initial	Toute pièce du réfrigérateur qui s'avère défectueuse en raison d'un défaut de matériau ou de fabrication. Pendant la validité de la présente garantie limitée d'un an, CAFÉ fournira également gratuitement la main d'œuvre et le service pour réparer la pièce défectueuse.
Trente jours (filtre à eau, si inclus) A compter de la date d'achat initial	Toute pièce de la cartouche filtrante qui ne fonctionne pas à cause d'un vice de matériau ou de main d'œuvre. Pendant la validité de la présente garantie limitée de 30 jours , Café fournira gratuitement une cartouche filtrante de remplacement.
Cinq Ans A compter de la date d'achat	Toute pièce du système fermé du réfrigérateur (compresseur, condenseur, évaporateur et tous les tuyaux de raccordement) qui s'avère défectueuse en raison d'un défaut de matériau ou de fabrication. Pendant la validité de la présente garantie limitée de cinq an , Café fournira également gratuitement la main d'œuvre et le service pour réparer la pièce défectueuse dans le système fermé du réfrigérateur.

Ce qui n'est pas couvert par CAFÉ :

- Les déplacements à votre domicile pour vous expliquer l'utilisation de ce produit
- Une installation, livraison ou maintenance défectueuse.
- Une panne du produit par abus d'utilisation, par mauvaise utilisation, par modification ou s'il a été utilisé dans un but autre que celui pour lequel il a été fabriqué.
- Détérioration des aliments.
- Le remplacement des fusibles ou le réenclenchement du disjoncteur du domicile.
- Les dommages à la finition, tels que rouille de surface, ternissement ou petites taches, non signalés dans un délai de 48 heures suivant la livraison.
- Le remplacement de la cartouche filtrante, si incluse, à cause d'une pression d'eau en dehors de la gamme de fonctionnement recommandée ou à cause d'une concentration excessive de sédiments dans l'eau d'alimentation.
- Le remplacement des ampoules, si incluses, ou la cartouche filtrante, si incluse, et dans des conditions autres que celles susmentionnées.
- Tout dommage causé par accident, incendie, inondation ou une catastrophe naturelle.
- Tout dommage fortuit ou indirect causé par des défauts éventuels de cet appareil.
- Le service s'il est impossible d'avoir accès au produit.
- Dommages causés par l'utilisation d'un filtre qui n'est pas de marque GE Appliances.

EXCLUSION DES GARANTIES TACITES
 Votre recours exclusif est l'échange du produit suivant les modalités de la Garantie Limitée. Toutes garanties tacites, y compris les garanties de valeurs marchandes ou d'adéquation à des fins particulières, sont limitées à une durée d'un an ou à la durée la plus courte autorisée par la loi.

Pour les clients des États-Unis : Cette garantie limitée est offerte à l'acheteur initial et à tout propriétaire successif de produits à usage domestique à l'intérieur des États-Unis. Si le produit est installé dans une région où ne se trouve aucun réparateur autorisé Café, vous devrez peut-être assumer les frais de transport ou apporter l'appareil à un centre de service autorisé Café. En Alaska, la garantie limitée exclut les frais d'expédition ou de service à votre domicile.

Certains états n'acceptent pas d'exclusion ou de limites aux dommages indirects consécutifs. Cette garantie vous accorde des droits particuliers et il peut exister d'autres droits qui varient selon l'État ou la province. Pour connaître vos droits juridiques, veuillez consulter le bureau local ou le bureau d'état des affaires aux consommateurs ou le Procureur Général de votre état.

Garant : États-Unis : GE Appliances, a Haier company
 Louisville, KY 40225

Cette garantie est étendue à l'acheteur d'origine et aux propriétaires suivants pour tout produit acheté aux Canada pour une utilisation domestique aux Canada. Le service à domicile en vertu de la garantie sera fourni dans les régions où il est disponible et où Mabe estime raisonnable de le fournir.

Garant Canada: MC Commercial, Inc., Burlington, Ontario, L7R 5B6

Brochez votre reçu ici. La preuve d'achat d'origine est obligatoire pour obtenir le service en vertu de la garantie.

Garantie limitée de la cartouche filtrante d'eau

Contactez-nous au cafeappliances.ca

Pendant une période de :	GE Appliances remplacera :
Trente jours À partir de la date d'achat d'origine	Toute pièce défectueuse de la cartouche filtrante en raison d'un vice de matière ou de fabrication durant cette garantie limitée de trente jours.*

Ce que la garantie ne couvre pas :

- Déplacement d'un technicien au domicile pour des explications sur le produit.
- Installation incorrecte.
- La défectuosité du produit s'il a été utilisé abusivement, a été mal utilisé ou utilisé à d'autres fins que celle prévues ou à des fins commerciales.
- Le remplacement des fusibles ou le réenclenchement du disjoncteur du domicile.
- Le remplacement de la cartouche filtrante à cause d'une pression d'eau en dehors de la gamme de fonctionnement recommandée ou à cause d'une concentration excessive de sédiments dans l'eau d'alimentation.
- Détérioration du produit imputable à : accident, incendie, inondation ou catastrophe naturelle.
- Dommages accessoires ou indirects résultant de possibles défectuosités de cet appareil.

EXCLUSION DES GARANTIES IMPLICITES

Votre seul et unique recours consiste dans le remplacement de la pièce telle que décrite dans cette Garantie limitée. Toute garantie implicite, y compris les garanties relatives à la qualité marchande ou à l'adéquation à un usage particulier, est limitée à six mois ou à la période la plus courte autorisée par la loi.

Cette garantie est destinée à l'acheteur d'origine et à tout propriétaire subséquent pour les produits acquis à des fins d'utilisation domestique à l'intérieur des États-Unis. En Alaska, la garantie exclut les frais de livraison et les appels de service depuis votre domicile.

Certains États n'autorisent pas l'exclusion ou la limitation des dommages accessoires ou indirects. Certains droits particuliers vous sont dévolus en vertu de la présente garantie et peuvent s'accompagner d'autres droits qui varient d'un État à l'autre. Pour connaître vos droits, consultez l'autorité locale ou de l'État en matière de droits des consommateurs, ou encore le Procureur général de votre État.

Achats effectués en Iowa : Ce formulaire doit être signé et daté par l'acheteur et le vendeur avant la consommation du produit.

Ce formulaire doit être conservé dans les dossiers du vendeur pendant un minimum de deux ans.

Acheteur :

Nom _____
Adresse _____
Ville _____ État _____ Code postal _____
Signature _____ Date _____

Vendeur :

Nom _____
Adresse _____
Ville _____ État _____ Code postal _____
Signature _____ Date _____

*Si votre pièce GE Appliances s'avère défectueuse en raison d'un vice de fabrication durant la période de trente jours suivant la date d'achat d'origine, nous vous offrirons, à notre discrétion et sans frais, une pièce neuve ou reconstruite. Retournez la pièce défectueuse au fournisseur où s'est effectué l'achat accompagnée d'une copie de la preuve d'achat de la pièce. Si la pièce s'avère défectueuse et qu'elle ne présente aucun signe d'usage abusif, elle sera remplacée. La garantie ne couvre pas la défectuosité de pièces qui ont été endommagées alors qu'elles étaient en votre possession, dont l'usage a été abusif, ou dont l'installation est incorrecte. Elle ne couvre pas les frais de retour de la pièce au fournisseur où l'achat a eu lieu, ni les coûts de main-d'œuvre pour la retirer ou l'installer afin de diagnostiquer la défectuosité. Elle ne couvre pas les pièces dont l'usure découle d'une utilisation commerciale, à l'exception des équipements de climatisation. En aucune circonstance GE Appliances ne sera tenue responsable des dommages indirects.

Débiteur de la garantie : GE Appliances, a Haier company
Louisville, KY 40225

Pour bénéficier du service de réparation sous garantie, une preuve de la date d'achat initial est nécessaire.

Fiche technique de performance

Modèle : GE Appliances XWF

- Système certifié par l'IAPMO R&T en vertu des normes 42, 53, 401 de la NSF/ANSI relatives à la réduction des allégations spécifiées sur la fiche technique de rendement et le site iapmort.org.
- Le rendement réel peut varier selon les conditions locales de l'eau.

Substance testée pour réduction	Concentration d'essai de l'influent (mg/L)	Concentration max. admissible dans l'eau du produit (mg/L)	Réduction moy. (%)
Goût et odeur chlore	2.0 mg/L +/- 10%	N/A	96.9
Goût et odeur chloramine	3.0 mg/L +/- 10%	0.5	96.9
Particules, Classe I	Au moins 10 000/mL	N/A	91.4
Oocystes	50,000/L	N/A	>99.99
Plomb	0.15	0.01	98.85
Mercure	0.006	0.002	96.3
Amiante	107 à 108 fibres/L	N/A	>99
Toxaphène	0.015 +/- 10%	0.003	86.95
SCC (substitut de chloroforme C	0.300	0.015	99.7
Alachlore	0.050	0.001	> 98
Atrazine	0.100	0.003	> 97
Benzène	0.081	0.001	> 99
Carbofuran	0.190	0.001	> 99
tétrachlorure de carbone	0.078	0.0018	98
chlorobenzène	0.077	0.001	> 99
chloropicrine	0.015	0.0002	99
2, 4-D	0.110	0.0017	98
dibromochloropropane (DBCP)	0.052	0.00002	> 99
o-Dichlorobenzène	0.08	0.001	> 99
p-Dichlorobenzène	0.040	0.001	> 98
1,2-dichloroéthane	0.088	0.0048	95
1,1-dichloroéthylène	0.083	0.001	> 99
cis-1,2-dichloroéthylène	0.170	0.0005	> 99
trans-1,2-dichloroéthylène	0.086	0.001	> 99
1,2-dichloropropane	0.080	0.001	> 99
cis-1,3-dichloropropylène	0.079	0.001	> 99
dinosébe	0.170	0.0002	99
Endrine	0.053	0.00059	99
Éthylbenzène	0.088	0.001	> 99
éthylène dibromide (EDB)	0.044	0.00002	> 99
bromochloroacétonitrile	0.022	0.0005	98
dibromoacétonitrile	0.024	0.0006	98
dichloroacétonitrile	0.0096	0.0002	98
trichloroacétonitrile	0.015	0.0003	98
1,1-dichloro-2-propanone	0.0072	0.0001	99
1,1,1-trichloro-2-propanone	0.0082	0.0003	96
heptachlore (H-34, Heptox)	0.025	0.00001	>99
heptachloreépoxyde	0.0107	0.0002	98
hexachlorobutadiène	0.044	0.001	> 98
hexachlorocyclopentadiène	0.060	0.000002	> 99
Lindane	0.055	0.00001	> 99
méthoxychlore	0.050	0.0001	> 99
pentachlorophénole	0.096	0.001	> 99
simazine	0.120	0.004	> 97
Styrène	0.150	0.0005	> 99
1,1,2,2-tétrachloroéthane	0.081	0.001	> 99
Tétrachloroéthylène	0.081	0.001	> 99
Toluène	0.078	0.001	> 99
2,4,5-TP (silvex)	0.270	0.0016	99
Acide tribromoacétique	0.042	0.001	> 98
1,2,4-Trichlorobenzène	0.160	0.0005	> 99
1,1,1-trichloroéthane	0.084	0.0046	95
1,1,2-trichloroéthane	0.150	0.0005	> 99
trichloroéthylène	0.180	0.0010	> 99
bromoforme	0.300	0.015	95
bromodichlorométhane	0.300	0.015	95
chlorodibromométhane	0.300	0.015	95
xylènes	0.070	0.001	>99
Méprobamate	400 +/- 20%	60	95.5
Aténolol	200 +/- 20%	30	95.9
Carbamazépine	1400 +/- 20%	200	98.6
diéthyltoluamide (DEET)	1400 +/- 20%	200	98.6
Métolachlore	1400 +/- 20%	200	98.7
Triméthoprim	140 +/- 20%	20	96.1
Linuron	140 +/- 20%	20	96.6
TCEP	5000 +/- 20%	700	98.1
TCP	5000 +/- 20%	700	98.1
Phénytoïne	200 +/- 20%	30	96
Ibuprofène	400 +/- 20%	60	95.9
Naproxène	140 +/- 20%	20	96.5
Estrone	140 +/- 20%	20	97.1
Bisphénol A	2000 +/- 20%	300	99.1
Nonylphénol	1400 +/- 20%	200	97.3

Conditions d'application/Paramètres d'alimentation d'eau

Débit de service	0,5 gal./min. (1,89 l/min.)
Alimentation d'eau	Eau potable
Pression d'eau	25-120 psi (172-827 kPa)
Température de l'eau	33°F-100°F (0.6°C-38°C)
Capacité	170 gallons (643,5 litres)

Le rendement du produit sera conforme à ce qui est promis à condition que l'installation, l'entretien et le remplacement du filtre s'effectuent selon les recommandations du fabricant.

REMARQUE : Bien que les tests aient été réalisés dans des conditions Bien que les tests aient été réalisés dans des conditions de laboratoire.

Cartouche de rechange : XWF. Pour une estimation du coût des pièces de rechange, visitez notre site Web Electromenagersge.ca/fr/produits/filtres-et-accessoires.

⚠ AVERTISSEMENT Pour réduire le risque associé à l'ingestion de contaminants :

- N'utilisez pas l'appareil avec de l'eau d'une qualité incertaine ou non potable sur le plan microbiologique sans une désinfection en amont et en aval du système. Les systèmes homologués relativement à la réduction d'ocystes peuvent être utilisés avec de l'eau désinfectée pouvant contenir des oocystes filtrables.

AVIS

Pour réduire le risque de fuite ou d'inondation et pour garantir un rendement optimal du filtre :

- Lisez et observez les instructions d'utilisation avant l'installation et l'utilisation de ce système.
- L'installation et l'utilisation DOIVENT satisfaire tous les codes de plomberie locaux et nationaux.
- Ne procédez pas à l'installation si la pression d'eau excède 120 psi (827 kPa). Si votre pression d'eau excède 80 psi (552 kPa), vous devez poser une valve de limitation de pression. Faites appel à un plombier si vous avez des doutes sur la façon de mesurer votre pression d'eau.
- Ne procédez pas à l'installation si une condition de coup de bélier est susceptible de survenir. Si cette condition existe, vous devez poser un antibélier. Faites appel à un plombier si vous avez des doutes sur la manière d'identifier cette condition.
- Ne procédez pas à l'installation sur des conduites d'eau chaude. La température de service maximale de l'eau pour ce système de filtre est de 100 °F (38 °C).
- Protégez le filtre contre le gel. Drainez le filtre lorsque la température tombe sous 33 °F (0,6 °C).
- Remplacez la cartouche filtrante jetable tous les six mois, ou plus tôt si vous constatez une réduction appréciable du débit d'eau.
- L'omission de remplacer la cartouche filtrante jetable aux intervalles recommandés peut mener à une réduction du rendement du filtre et au fendillement du boîtier du filtre, entraînant ainsi des fuites ou l'inondation.
- Ce système a été mis à l'essai conformément aux normes 42, 53 et 401 de la NSF/ANSI relatives à la réduction des substances énumérées ci-dessous. La concentration des substances mentionnées dans l'eau entrant dans le système a été réduite à une valeur inférieure ou égale à la limite admissible pour l'eau quittant le système, tel que stipulé dans les normes 42, 53 et 401 de la NSF/ANSI.



Le système XWF est certifié par l'IAPMO R&T en vertu des normes 42, 53, 401 de la NSF/ANSI relatives à la réduction des allégations spécifiées sur la fiche technique de rendement et le site iapmort.org.

Notes

Soutien au consommateur

Site Web de Café

Vous avez une question ou vous avez besoin d'aide pour votre appareil électroménager? Visitez le site Web de Café 24 heures par jour, tous les jours de l'année! Vous pouvez aussi y trouver d'autres formidables produits Café et tirer avantage de tous nos services d'assistance en ligne. Aux États-Unis : cafeappliances.com
Au Canada : cafeappliances.ca

Enregistrez votre électroménager

Enregistrez votre nouvel appareil en ligne au moment qui vous convient le mieux! L'enregistrement de votre produit dans les délais prescrits permet une meilleure communication et un service rapide, selon les modalités de votre garantie, si besoin est. Vous pouvez également envoyer par courrier la carte d'enregistrement pré-imprimée qui se trouve dans l'emballage de votre appareil.

Aux États-Unis : cafeappliances.com/register

Au Canada : cafeappliances.ca/register

Service de réparation

Un service de réparation expert Café se trouve à quelques pas de chez vous. Rendez-vous sur notre site et programmez, à votre convenance, une visite de réparation à n'importe quel jour de l'année.

Aux États-Unis : cafeappliances.com/service

Au Canada : cafeappliances.ca/service

Prolongation de garantie

Procurez-vous une prolongation de garantie Café et informez-vous des rabais spéciaux en vigueur pendant la durée de votre garantie. Vous pouvez vous la procurer en ligne en tout temps. Les services Café seront toujours disponibles après l'expiration de la garantie. Aux États-Unis : cafeappliances.com/service

Au Canada : cafeappliances.ca/service

Pièces et accessoires

Les personnes ayant les compétences requises pour réparer elles-mêmes leurs appareils peuvent recevoir directement à la maison des pièces ou accessoires (les cartes VISA, MasterCard et Discover sont acceptées). Commandez en ligne 24 heures par jour.

Aux États-Unis : cafeappliances.com

Au Canada : cafeappliances.ca

Les instructions contenues dans le présent manuel comportent des procédures que tout utilisateur peut effectuer. Les autres types de réparation doivent généralement être confiés à un technicien qualifié. Utilisez de prudence : une réparation ou un entretien mal effectués peuvent rendre l'utilisation de l'appareil dangereuse.

Communiquez avec nous

Si vous n'êtes pas satisfait du service après-vente de Café, communiquez avec nous depuis notre site Web en fournissant tous les détails dont votre numéro de téléphone, ou écrivez à :

Aux États-Unis : General Manager, Customer Relations | Café, Appliance Park | Louisville, KY 40225

cafeappliances.com/contact

Au Canada : Director, Consumer Relations, Mabe Canada Inc. | Suite 310, 1 Factory Lane | Moncton, N.B. E1C 9M3

cafeappliances.ca/contact
