

**Installation
Instructions
CANADA only**

**Over the Range
Microwave Oven
CVM517P**

The power cord of this appliance is equipped with a **125 Volt NEMA 5-20 three prong plug** which mates with a NEMA 5-20 three-prong (grounding) wall receptacle to minimize the possibility of electric shock hazard from this appliance.

ELECTRICAL REQUIREMENTS

Product rating is 120 volts AC, 60 Hertz, 20 amps and 1.75 kilowatts.

This product must be connected to a supply circuit of the proper voltage and frequency. Wire size must conform to the requirements of the National Electrical Code or the prevailing local code for this kilowatt rating.

The power supply cord and plug should be brought to a separate 20-ampere branch circuit single grounded outlet.

The outlet box should be located in the cabinet above the microwave oven. The outlet box and supply circuit should be installed by a qualified electrician and conform to the National Electrical Code or the prevailing local code.

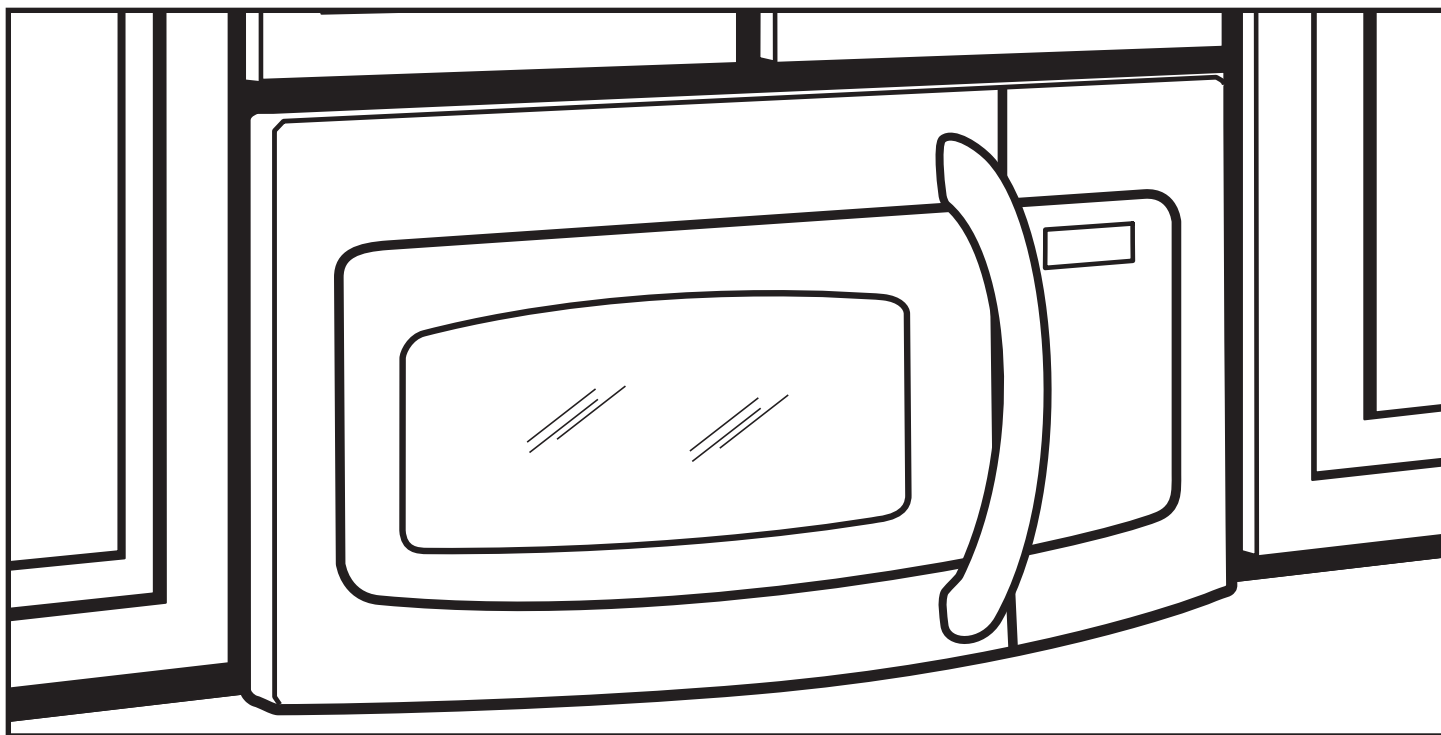
Installation Instructions

Over the Range Microwave Oven

BEFORE YOU BEGIN

Read these instructions carefully and completely.

- **IMPORTANT** – Save these instructions for local inspector's use.
- **IMPORTANT** – Observe all governing codes and ordinances.
- **Note to Installer** – Be sure to leave these instructions with Consumer.
- **Note to Consumer** – Keep these instructions for future reference.
- **Skill level** – Installation of this appliance requires basic mechanical and electrical skills.
- Proper installation is the responsibility of the installer.
- Product failure due to improper installation is not covered under Warranty.



LA SECCIÛN EN ESPAÒOL
EMPIEZA EN LA P·GINA 25.

READ CAREFULLY.
KEEP THESE INSTRUCTIONS.

Installation Instructions

CONTENTS

General information

Important Safety Instructions	3
Electrical Requirements.....	3
Hood Exhaust	4, 5
Damage – Shipment/Installation	6
Parts Included.....	6
Tools You Will Need.....	7
Mounting Space.....	7

Step-by-step Installation Guide

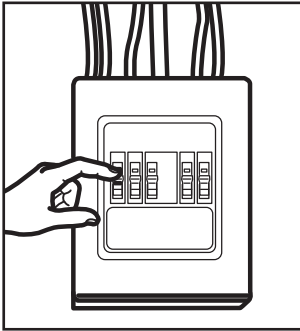
Placement of Mounting Plate	8–10
Removing the Mounting Plate	8
Finding the Wall Studs	8
Determining Wall Plate Location	9
Aligning the Wall Plate	10
Installation Types	11–23
A Outside Top Exhaust.....	12–15
Attach Mounting Plate to Wall	12
Preparation of Top Cabinet	13
Check Blower Motor Orientation.....	13
Adapting Blower for Outside Ventilation	13, 14
Check for Proper Damper Operation	14
Mount the Microwave Oven	14, 15
Adjust the Exhaust Adaptor	15
Connecting Ductwork.....	15

B Outside Back Exhaust.....	16-19
Preparing Rear Wall for Outside Back Exhaust	16
Attach Mounting Plate to Wall	16 17
Preparation of Top Cabinet	17
Adapting Microwave Blower for Outside Back Exhaust	17, 18
Mount the Microwave Oven.....	19
C Recirculating.....	20-23
Attach Mounting Plate to Wall	20
Preparation of Top Cabinet	20
Check Blower Motor Orientation.....	21
Adapting Microwave Blower for Recirculation.....	21, 22
Mount the Microwave Oven	22, 23
Installing the Charcoal Filter	23
Before You Use Your Microwave	24

Installation Instructions

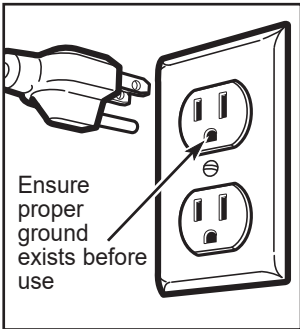
IMPORTANT SAFETY INSTRUCTIONS

A qualified electrician must perform a ground continuity check on the wall receptacle before beginning the installation to ensure that the outlet box is properly grounded. If not properly grounded, or if the wall receptacle does not meet electrical requirements noted (under ELECTRICAL REQUIREMENTS), a qualified electrician should be employed to correct any deficiencies.



⚠ WARNING

Risk of Electric Shock. Can cause injury or death: Remove house fuse or open circuit breaker before beginning installation to avoid severe or fatal shock injury.



⚠ WARNING

Risk of Electric Shock. Can cause injury or death: THIS APPLIANCE MUST BE PROPERLY GROUNDED to avoid severe or fatal shock.

The power cord of this appliance is equipped with a three-prong (grounding) plug which mates with a standard three-prong (grounding) wall receptacle to minimize the possibility of electric shock hazard from this appliance.

Where a standard two-prong wall receptacle is encountered, it must be replaced with a properly grounded three-prong wall receptacle, installed by a qualified electrician.

RISK OF ELECTRIC SHOCK

⚠ WARNING Can cause injury or death: **DO NOT**, under any circumstances, cut, deform or remove any of the prongs from the power cord. Do not use with an extension cord. Failure to comply may cause fire.

ELECTRICAL REQUIREMENTS

Product rating is 120 volts AC, 60 Hertz, 15 amps and 1.75 kilowatts. This product must be connected to a supply circuit of the proper voltage and frequency. Wire size must conform to the requirements of the National Electrical Code or the prevailing local code for this kilowatt rating. The power supply cord and plug should be brought to a separate 15- to 20-ampere branch circuit single grounded outlet. The outlet box should be located in the cabinet above the microwave oven. The outlet box and supply circuit should be installed by a qualified electrician and conform to the National Electrical Code or the prevailing local code.

FOR YOUR SAFETY:

⚠ CAUTION For personal safety, the mounting surface must be capable of supporting the cabinet load, in addition to the added weight of this 63–85 pound product, plus additional oven loads of up to 50 pounds or a total weight of 113–135 pounds.

⚠ CAUTION For personal safety, this product cannot be installed in cabinet arrangements such as an island or a peninsula. It must be mounted to BOTH a top cabinet AND a wall.

⚠ CAUTION To avoid the risk of personal injury (back injury or other injuries due to excessive weight of the microwave oven) or property damage, you will need two people to install this microwave oven.

Installation Instructions

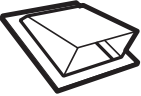


HOOD EXHAUST

NOTE: Read these next two pages only if you plan to vent your exhaust to the outside. If you plan to recirculate the air back into the room, proceed to page 11.

OUTSIDE TOP EXHAUST (EXAMPLE ONLY)

The following chart describes an example of one possible ductwork installation.

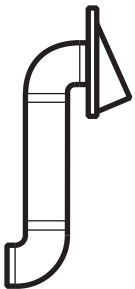


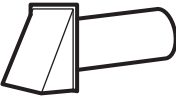


DUCT PIECES		EQUIVALENT LENGTH	x	NUMBER USED	=	LENGTH
	Roof Cap	24 Ft.	x	(1)	=	24 Ft.
	12 Ft. Straight Duct (6" Round)	12 Ft.	x	(1)	=	12 Ft.
	Rectangular-to-Round Transition Adaptor*	5 Ft.	x	(1)	=	5 Ft.
Equivalent lengths of duct pieces are based on actual tests and reflect requirements for good venting performance with any vent hood. Total Length =						41 Ft.

* **IMPORTANT:** If a rectangular-to-round transition adaptor is used, the bottom corners of the damper will have to be cut to fit, using the tin snips, in order to allow free movement of the damper.

OUTSIDE BACK EXHAUST (EXAMPLE ONLY)

The following chart describes an example of one possible ductwork installation.



DUCT PIECES		EQUIVALENT LENGTH*	x	NUMBER USED	=	LENGTH
	Wall Cap	40 Ft.	x	(1)	=	40 Ft.
	3 Ft. Straight Duct (3¼" x 10" Rectangular)	3 Ft.	x	(1)	=	3 Ft.
	90° Elbow	10 Ft.	x	(2)	=	20 Ft.
Equivalent lengths of duct pieces are based on actual tests and reflect requirements for good venting performance with any vent hood. Total Length =						63 Ft.

NOTE: For back exhaust, care should be taken to align exhaust with space between studs, or wall should be prepared at the time it is constructed by leaving enough space between the wall studs to accommodate exhaust.

Installation Instructions

NOTE: If you need to install ducts, note that the total duct length of 3¼" x 10" rectangular or 6" diameter round duct **should not exceed 140 equivalent feet.**

Outside ventilation requires a HOOD EXHAUST DUCT. Read the following carefully.

NOTE: It is important that venting be installed using the most direct route and with as few elbows as possible. This ensures clear venting of exhaust and helps prevent blockages. **Also, make sure dampers swing freely and nothing is blocking the ducts.**

Exhaust connection:





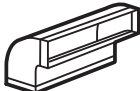
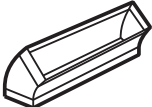
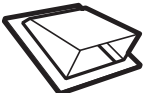

The hood exhaust has been designed to mate with a standard 3¼" x 10" rectangular duct.

If a round duct is required, a rectangular-to-round transition adaptor must be used. **Do not use less than a 6" diameter duct.**

Maximum duct length:

For satisfactory air movement, the total duct length of 3¼" x 10" rectangular or 6" diameter round duct **should not exceed 140 equivalent feet.**

Elbows, transitions, wall and roof caps, etc., present additional resistance to airflow and are equivalent to a section of straight duct which is longer than their actual physical size. When calculating the total duct length, add the equivalent lengths of all transitions and adaptors plus the length of all straight duct sections. The chart below shows you how to calculate total equivalent ductwork length using the approximate feet of equivalent length of some typical ducts.

DUCT PIECES	EQUIVALENT LENGTH	x	NUMBER USED	=	LENGTH	
 Rectangular-to-Round Transition Adaptor*	5 Ft.	x	()	=	Ft.	
 Wall Cap	40 Ft.	x	()	=	Ft.	
 90° Elbow	10 Ft.	x	()	=	Ft.	
 45° Elbow	5 Ft.	x	()	=	Ft.	
 90° Elbow	25 Ft.	x	()	=	Ft.	
 45° Elbow	5 Ft.	x	()	=	Ft.	
 Roof Cap	24 Ft.	x	()	=	Ft.	
 Straight Duct 6" Round or 3¼" x 10" Rectangular	1 Ft.	x	()	=	Ft.	
Total Ductwork					=	Ft.



*** IMPORTANT:** If a rectangular-to-round transition adaptor is used, the bottom corners of the damper will have to be cut to fit, using the tin snips, in order to allow free movement of the damper.

Equivalent lengths of duct pieces are based on actual tests and reflect requirements for good venting performance with any vent hood.


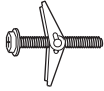


Installation Instructions

DAMAGE – SHIPMENT INSTALLATION

- If the unit is damaged in shipment, return the unit to the store in which it was bought for repair or replacement.
- If the unit is damaged by the customer, repair or replacement is the responsibility of the customer.
- If the unit is damaged by the installer (if other than the customer), repair or replacement must be made by arrangement between customer and installer.

PARTS INCLUDED

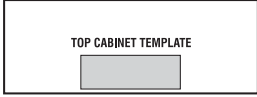
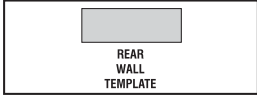


HARDWARE PACKET

PART		QUANTITY
	Wood Screws ($\frac{1}{4}$ " x 2")	2
	Toggle Bolts (and wing nuts) ($\frac{3}{16}$ " x 3")	2
	Self-Aligning Machine Screws ($\frac{1}{4}$ "-28 x $3\frac{1}{4}$ ")	3
	Nylon Grommet (for metal cabinets)	1

You will find the installation hardware contained in a packet with the unit. Check to make sure you have all these parts.

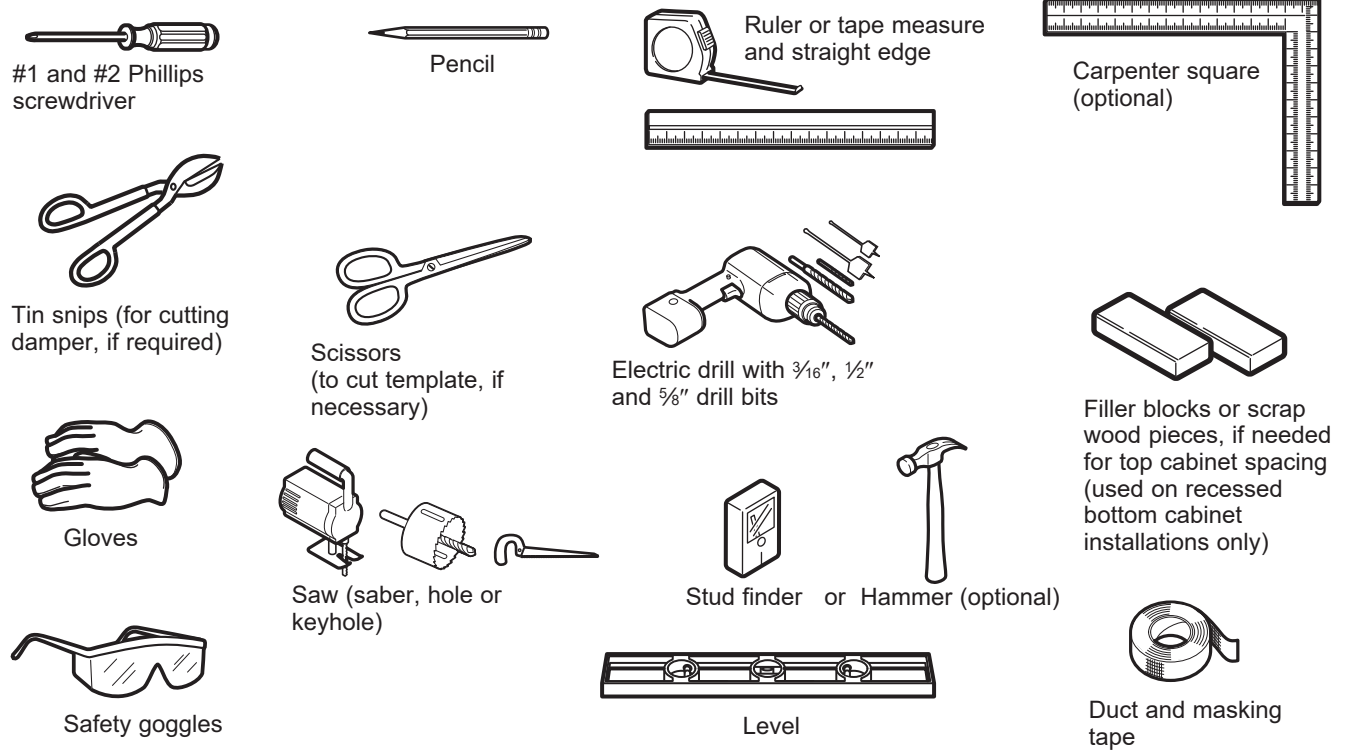
NOTE: Some extra parts are included.

ADDITIONAL PARTS

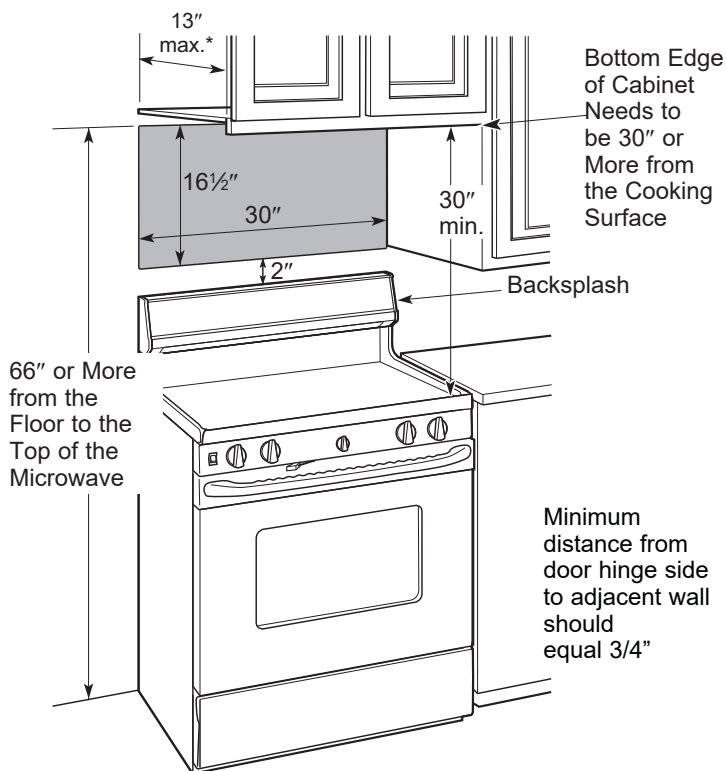
PART		QUANTITY
	Top Cabinet Template	1
	Rear Wall Template	1
	Installation Instructions	1
	Separately Packed Grease Filter	2

Installation Instructions

TOOLS YOU WILL NEED



MOUNTING SPACE



NOTES:

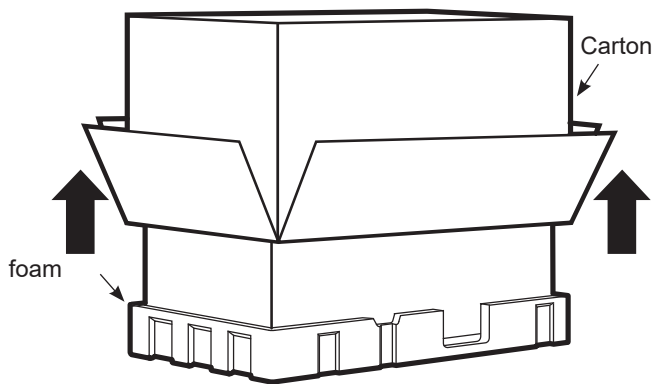
- The space between the cabinets must be 30" wide and free of obstructions.
 - If the space between the cabinets is greater than 30", a Filler Panel Kit may be used to fill in the gap between the microwave oven and the cabinets. Your Owner's Manual contains the kit number for your model.
 - This microwave oven is for installation over ranges up to 36" wide.
 - If you are going to vent your microwave oven to the outside, see Hood Exhaust Section for exhaust duct preparation.
 - **When installing the microwave oven beneath smooth, flat cabinets, be careful to follow the instructions on the top cabinet template for power cord clearance.**
 - **Models with top venting grilles: Do not allow cabinetry or other objects to block the airflow of the vent.**
- * 13" max: for standard installation, 15" cabinet depth requires additional steps using an additional installation kit JX15BUMPWW/BB.

Installation Instructions

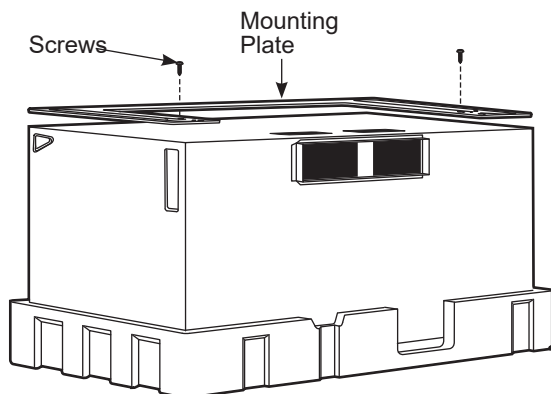
1 PLACEMENT OF THE MOUNTING PLATE

A. REMOVING THE MICROWAVE OVEN FROM THE CARTON/REMOVING THE MOUNTING PLATE

- 1 Remove the installation instructions, filters, glass tray and the small hardware bag. Do not remove the foam protecting the front of the oven.
- 2 Fold back all 4 carton flaps fully against carton sides. Then carefully roll the oven and carton over onto the top side. The oven should be resting in the foam.

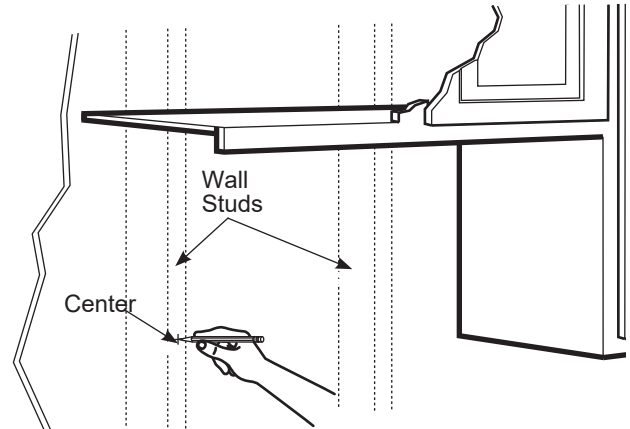


- 3 Pull the carton up and off the oven.
- 4 Remove and properly discard plastic bags.



- 5 Remove the 2 screws from the mounting plate. This plate will be used as the rear wall template and for mounting. You may discard these screws.

B. FINDING THE WALL STUDS



- 1 Find the studs, using one of the following methods:
 - A. Stud finder – a magnetic device which locates nails.

OR

 - B. Use a hammer to tap lightly across the mounting surface to find a solid sound. This will indicate a stud location.
- 2 After locating the stud(s), find the center by probing the wall with a small nail to find the edges of the stud. Then place a mark halfway between the edges. The center of any adjacent studs should be 16" or 24" from this mark.
- 3 Draw a line down the center of the studs.

NOTE: THE MICROWAVE MUST BE CONNECTED TO AT LEAST ONE WALL STUD.

Installation Instructions

C. DETERMINING WALL PLATE LOCATION UNDER YOUR CABINET

Plate position – beneath flat bottom cabinet

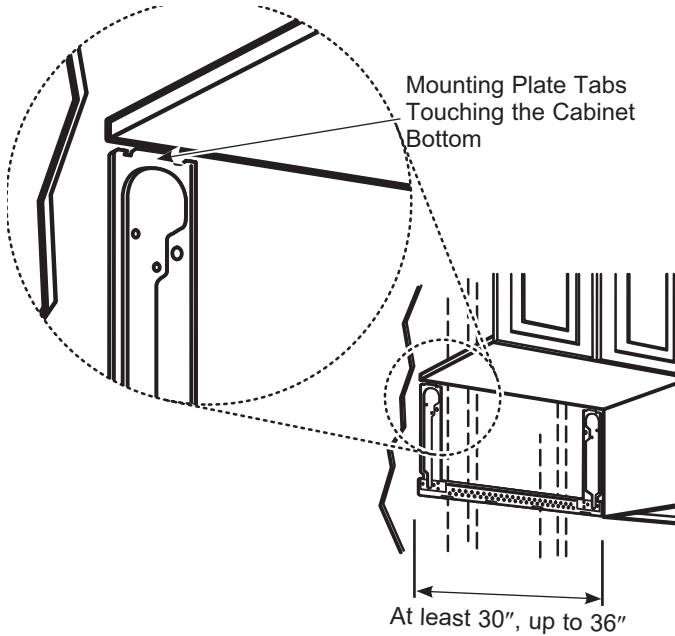


Plate position – beneath framed recessed cabinet bottom

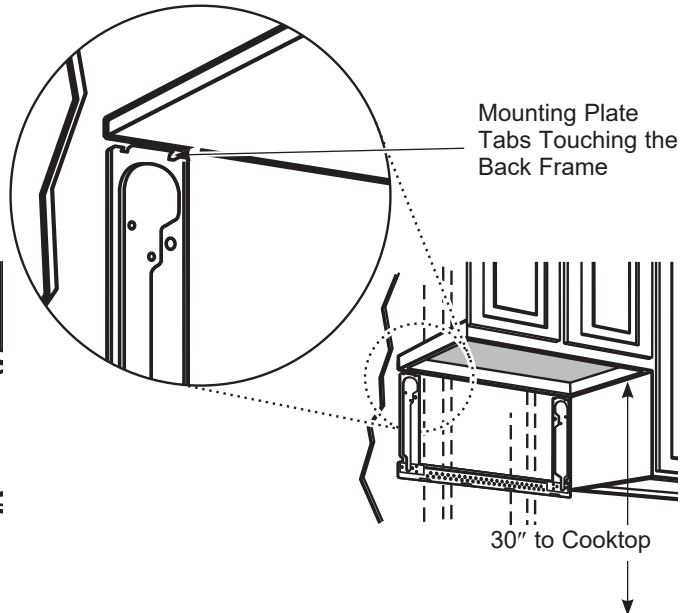
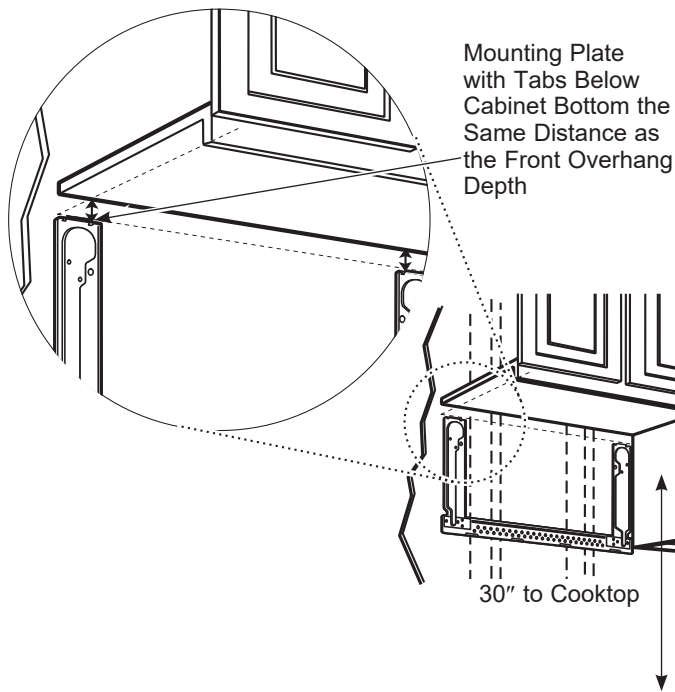


Plate position – beneath recessed bottom cabinet with front overhang



Your cabinets may have decorative trim that interferes with the microwave installation. Remove the decorative trim to install the microwave properly and to make it level.

NOTE: THE MICROWAVE MUST BE LEVEL.

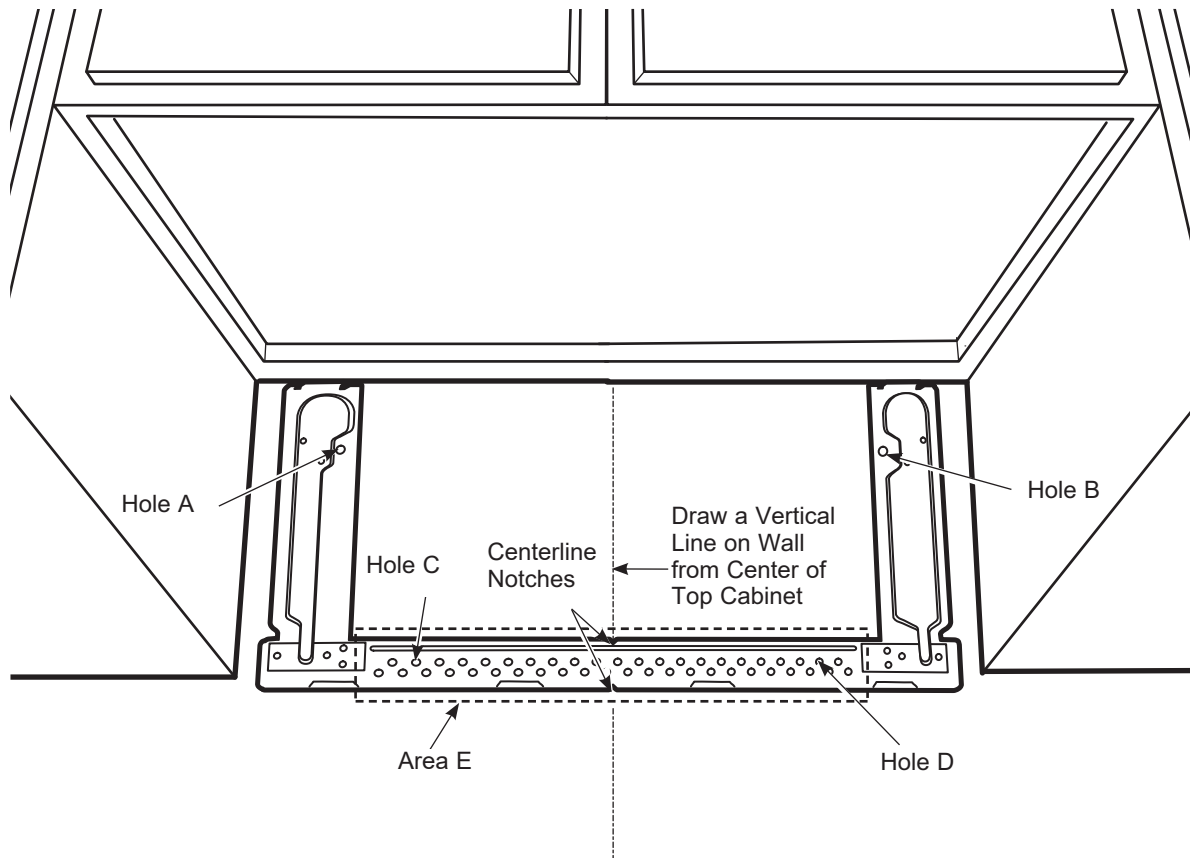
Use a level to make sure the cabinet bottom is level.

If the cabinets have a front overhang only, with no back or side frame, install the mounting plate down the same distance as the front overhang depth. This will keep the microwave level.

- 1 Measure the inside depth of the front overhang.
- 2 Draw a horizontal line on the back wall an equal distance below the cabinet bottom as the inside depth of the front overhang.
- 3 For this type of installation with front overhang only, align the mounting tabs with this horizontal line, not touching the cabinet bottom as described in Step D.

Installation Instructions

D. ALIGNING THE WALL PLATE



CAUTION Wear gloves to avoid cutting fingers on sharp edges.

- 1 Draw a vertical line on the wall at the center of the 30" wide space.
- 2 Use the mounting plate as the template for the rear wall. Place the mounting plate on the wall, making sure that the tabs are touching the bottom of the cabinet or the level line drawn in Step C for cabinets with front overhang. Line up the notch and centerline on the bottom of the mounting plate to the centerline on the wall.
- 3 While holding the mounting plate with one hand, draw circles on the wall at holes A, B, C and D (see illustration above/actual plate marked with arrows). **Four holes must be used for mounting.**

NOTE: Holes C and D are inside area E. If neither C nor D is in a stud, find a stud somewhere in area E and draw a fifth circle to line up with the stud. It is important to use **at least one wood screw mounted firmly in a stud** to support the weight of the microwave.

Set the mounting plate aside.

WARNING Risk of electric shock. Can cause injury or death. Take care to not drill into electrical wiring inside walls or cabinets.

- 4 Drill holes on the circles. If there is a stud, drill a $\frac{3}{16}$ " hole for wood screws. For holes that don't line up with a stud, drill a $\frac{5}{8}$ " hole for toggle bolts. Drill two $\frac{5}{8}$ " holes for toggle screws.

NOTE: DO NOT MOUNT THE PLATE AT THIS TIME.

Installation Instructions

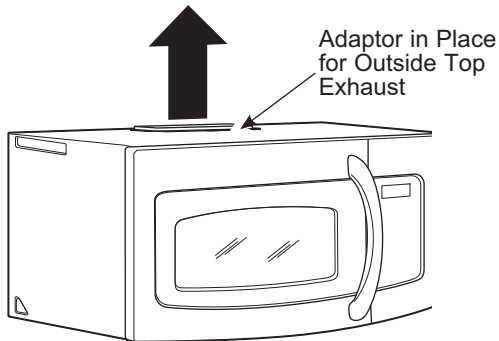
2 INSTALLATION TYPES (Choose A, B or C)

This microwave oven is designed for adaptation to the following three types of ventilation:

- A. Outside Top Exhaust (Vertical Duct)
- B. Outside Back Exhaust (Horizontal Duct)
- C. Recirculating (Non-Vented Ductless)

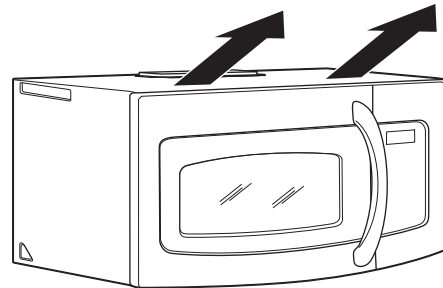
NOTE: This microwave is shipped assembled for Outside Top Exhaust (except for non-vented models). Select the type of ventilation required for your installation and proceed to that section.

A OUTSIDE TOP EXHAUST (VERTICAL DUCT)



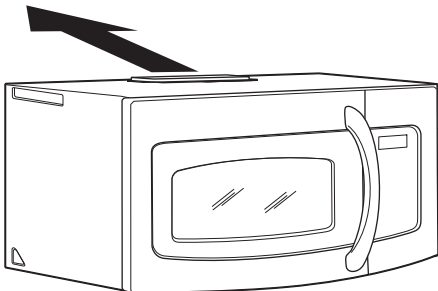
See page 12

C RECIRCULATING (NON-VENTED DUCTLESS)



See page 20

B OUTSIDE BACK EXHAUST (HORIZONTAL DUCT)



See page 16

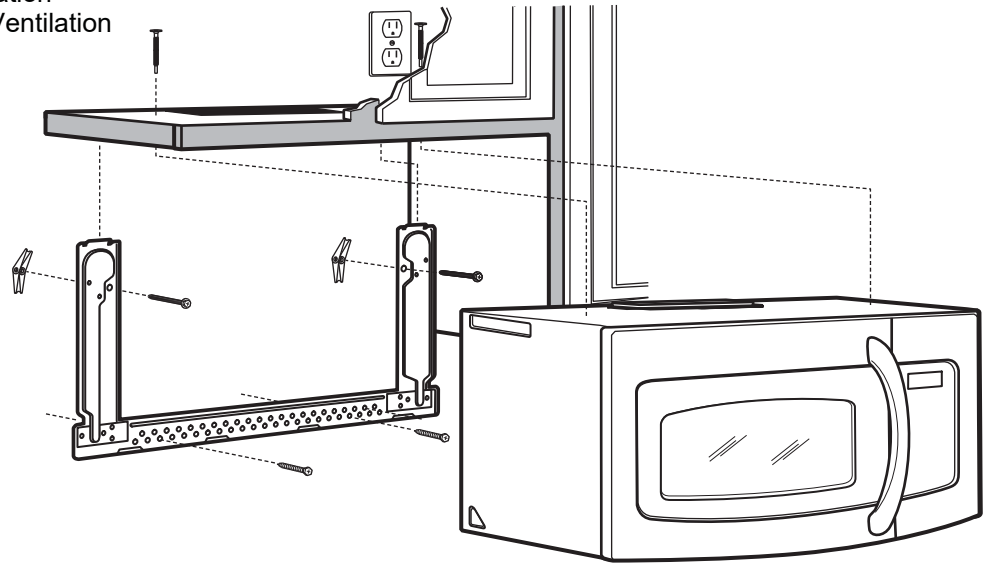
A Charcoal Filter Accessory Kit is required for the non-vented exhaust. (See your Owner's Manual for the kit number.)

Installation Instructions

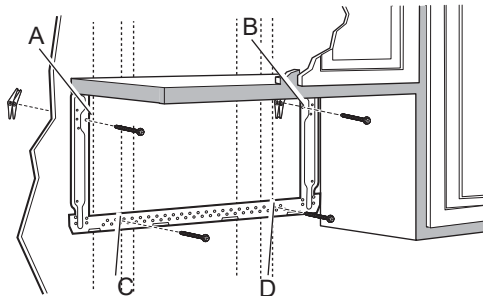
A OUTSIDE TOP EXHAUST (Vertical Duct)

INSTALLATION OVERVIEW

- A1. Attach Mounting Plate to Wall
- A2. Prepare Top Cabinet
- A3. Check Blower Motor Orientation
- A4. Adapt Blower for Outside Ventilation
- A5. Check Damper Operation
- A6. Mount Microwave Oven
- A7. Adjust Exhaust Adaptor
- A8. Connect Ductwork



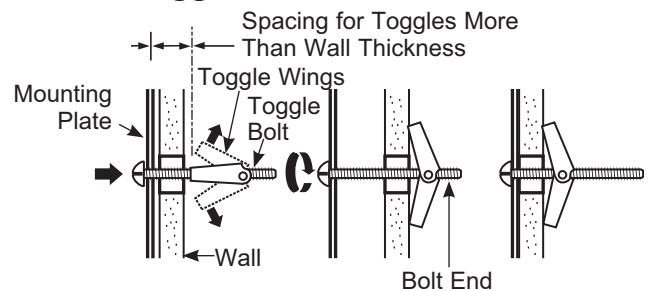
A1 ATTACH THE MOUNTING PLATE TO THE WALL



Attach the plate to the wall using toggle bolts. At least one wood screw must be used to attach the plate to a wall stud. Recommended locations on the mounting plate are indicated by A, B, C and D.

- 1 Remove the toggle wings from the bolts.
- 2 Insert the bolts into the mounting plate through the holes designated to go into drywall and reattach the toggle wings to $\frac{3}{4}$ " onto each bolt.

To use toggle bolts:



- 3 Place the mounting plate against the wall and insert the toggle wings into the holes in the wall to mount the plate.

NOTE: Before tightening toggle bolts and wood screw, make sure the tabs on the mounting plate touch the bottom of the cabinet when pushed flush against the wall and that the plate is properly centered under the cabinet.

CAUTION

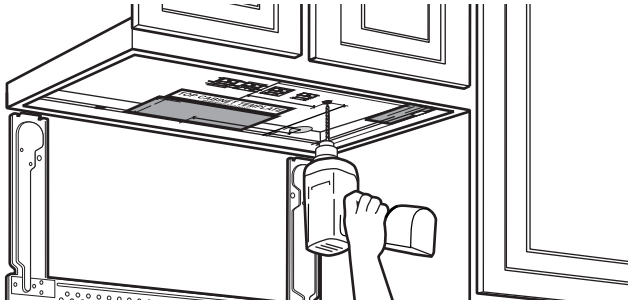
Be careful to avoid pinching fingers between the back of the mounting plate and the wall.

- 4 Tighten all bolts. Pull the plate away from the wall to help tighten the bolts.

Installation Instructions

A2. USE TOP CABINET TEMPLATE FOR PREPARATION OF TOP CABINET

You need to drill holes for the top support screws, a hole large enough for the power cord to fit through, and a cutout large enough for the exhaust adaptor.



- Read the instructions on the TOP CABINET TEMPLATE.
- Tape it underneath the top cabinet.
- Drill the holes, following the instructions on the TOP CABINET TEMPLATE.

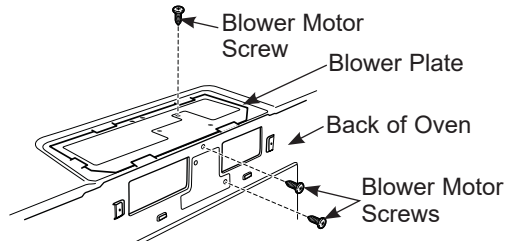
NOTE: Wear safety goggles when drilling holes in the cabinet bottom.

A3. CHECK BLOWER MOTOR ORIENTATION

The blower fan blade opening should be facing the top of the microwave. If the fan opening is already facing the top of the microwave, skip to Step A5. Otherwise, continue to Step A4 to adjust the motor orientation.

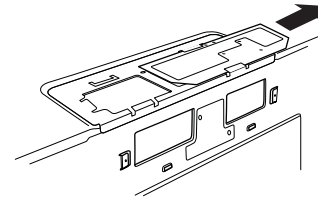
A4. ADAPTING BLOWER FOR OUTSIDE VENTILATION

- 1 Remove and save the screws that hold the blower motor to the microwave oven.

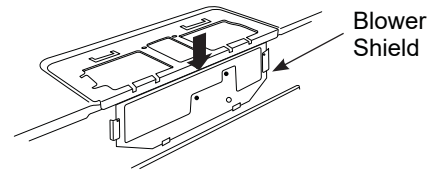


- 2 Remove and save the metal blower shield on the top of the microwave by sliding it right.

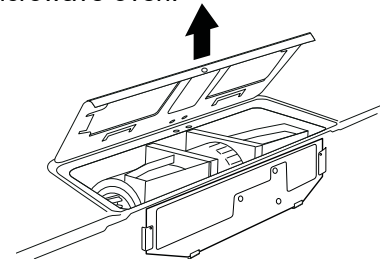
A4. ADAPTING BLOWER FOR OUTSIDE VENTILATION (Cont.)



- 3 Attached the metal blower shield to the backside of the microwave oven by sliding it down.

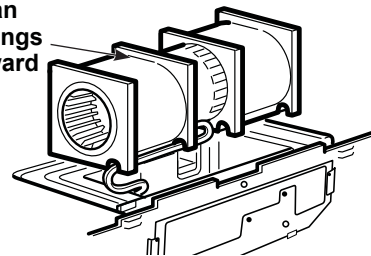


- 4 Open the blower door by lifting it up at the back of the microwave oven.

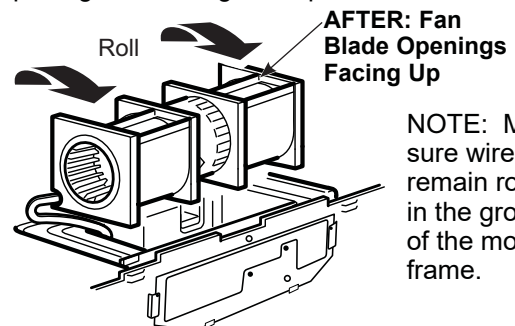


- 5 Carefully pull out the blower unit. The wires will extend far enough to allow you to adjust the blower unit.

BEFORE: Fan Blade Openings Facing Forward



- 6 Roll the blower unit 90° so that the fan blade openings are facing the top.



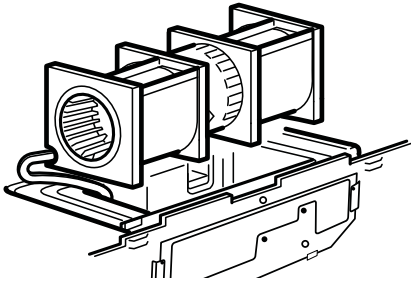
NOTE: Make sure wires remain routed in the grooves of the motor frame.

Installation Instructions

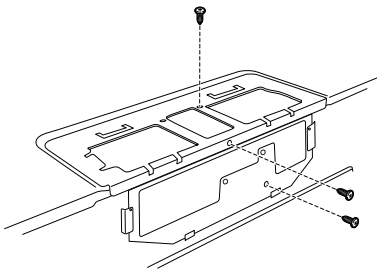
A4. ADAPTING BLOWER FOR OUTSIDE VENTILATION (Cont.)

- 7 Place the blower unit back into the opening.

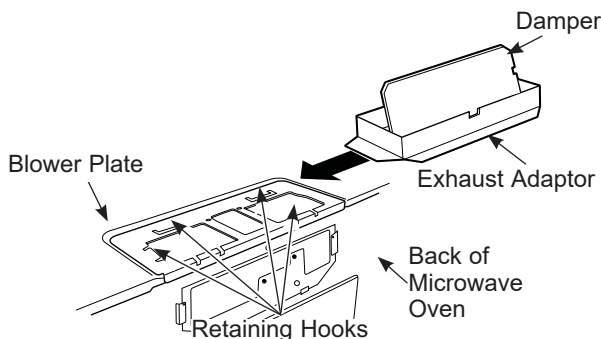
CAUTION Do not pull or stretch the blower unit wiring. Make sure the wires are not pinched.



- 8 Close the blower door. Secure the blower to the microwave using the screws from Step 1.

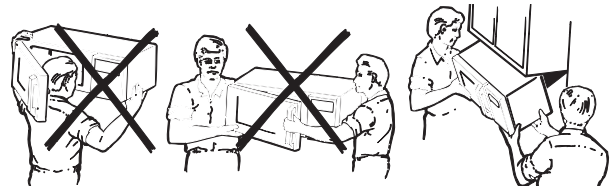


A5. CHECK FOR PROPER DAMPER OPERATION



- Place the microwave in its upright position, with the top of the unit facing up.
- **Make sure tape securing damper is removed and damper pivots easily before mounting microwave.**
- Slide the damper into place. Make sure it catches in the retaining hooks to secure.
- You will need to make adjustments to assure proper alignment with your house exhaust duct after the microwave is installed.

A6. MOUNT THE MICROWAVE OVEN



CAUTION FOR EASIER INSTALLATION AND PERSONAL SAFETY, WE RECOMMEND THAT TWO PEOPLE INSTALL THIS MICROWAVE OVEN.

IMPORTANT: Do not grip or use handle during installation.

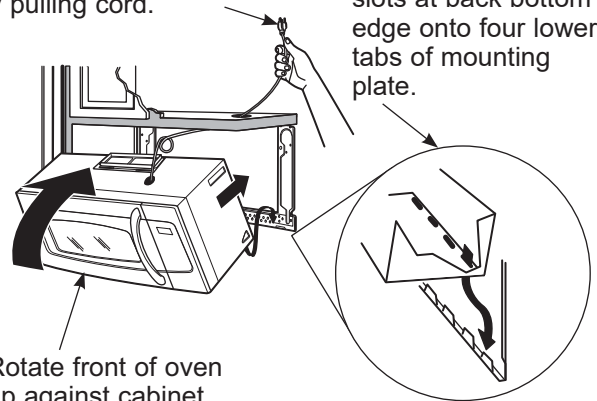
NOTE: If your cabinet is metal, use the nylon grommet around the power cord hole to prevent cutting of the cord.

NOTE: We recommend using filler blocks if the cabinet front hangs below the cabinet bottom shelf.

IMPORTANT: If filler blocks are not used, case damage may occur from overtightening screws.

NOTE: When mounting the microwave oven, thread power cord through hole in bottom of top cabinet. Keep it tight throughout Steps 1–3. Do not pinch cord or lift oven by pulling cord.

- 1 Lift microwave, tilt it forward, and hook slots at back bottom edge onto four lower tabs of mounting plate.

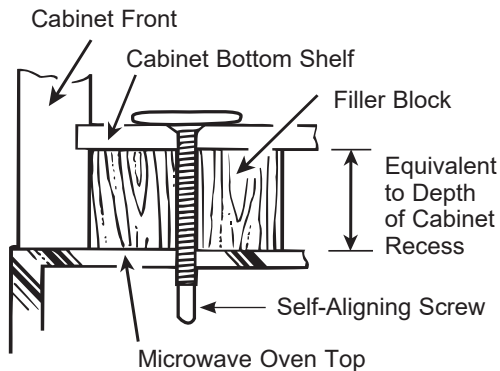


- 2 Rotate front of oven up against cabinet bottom.

- 3 Insert a self-aligning screw through top center cabinet hole. Temporarily secure the oven by turning the screw at least **two full turns** after the threads have engaged. (It will be completely tightened later.) **Be sure to keep power cord tight. Be careful not to pinch the cord, especially when mounting flush to bottom of cabinet.**

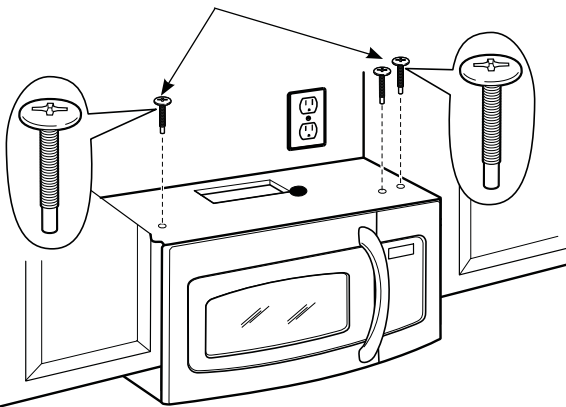
Installation Instructions

A6. MOUNT THE MICROWAVE OVEN (cont.)



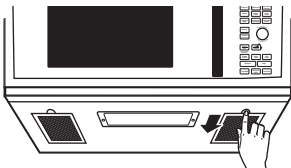
4 Attach the microwave oven to the top cabinet.

5 Insert 3 self-aligning screws through outer top cabinet holes. Turn two full turns on each screw.



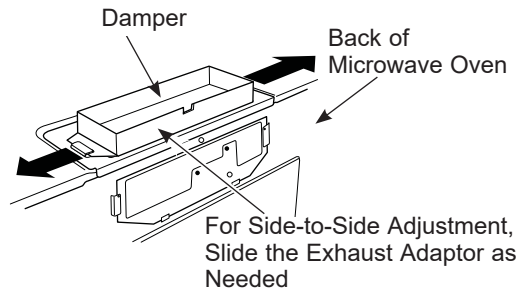
6 Tighten the outer three screws to the top of the microwave oven. (While tightening screws, hold the microwave oven in place against the wall and the top cabinet.)

7 Install grease filter. See the Owner's Manual on the website (GEAppliances.com).

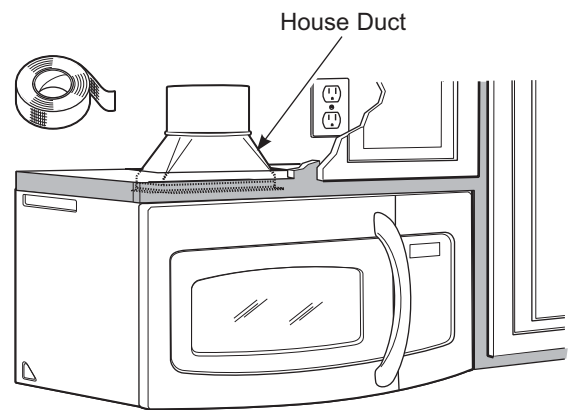


A7. ADJUST THE EXHAUST ADAPTOR

Open the top cabinet and adjust the exhaust adaptor to connect to the house duct.



A8. CONNECTING DUCTWORK



1 Extend the house duct down to connect to the exhaust adaptor.

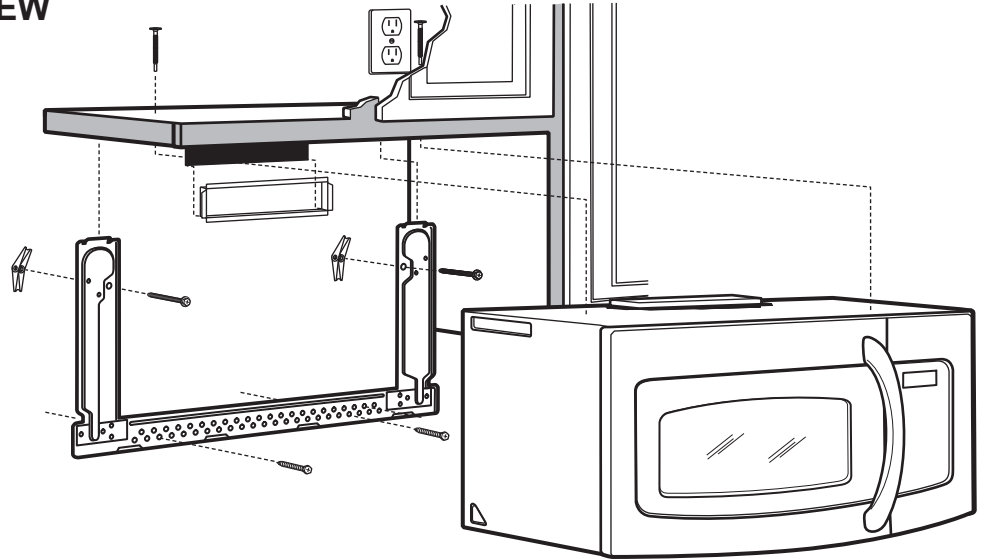
2 Seal exhaust duct joints using duct tape.

Installation Instructions

B OUTSIDE BACK EXHAUST (Horizontal Duct)

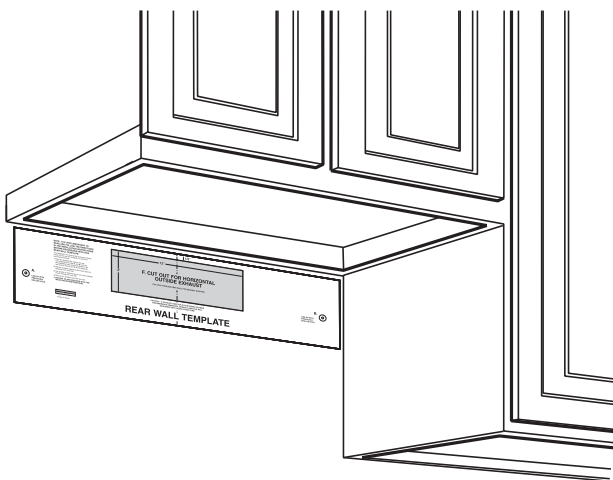
INSTALLATION OVERVIEW

- B1.** Prepare Rear Wall
- B2.** Attach Mounting Plate to Wall
- B3.** Prepare Top Cabinet
- B4.** Adjust Blower
- B5.** Mount the Microwave Oven



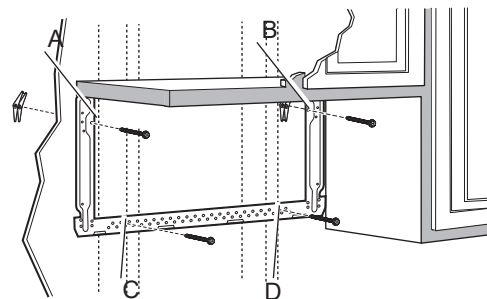
B1. PREPARING THE REAR WALL FOR OUTSIDE BACK EXHAUST

You need to cut an opening in the rear wall for outside exhaust.



- Read the instructions on the REAR WALL TEMPLATE.
- Tape it to the rear wall, lining up with the holes previously drilled for holes A and B in the wall plate.
- Cut the opening, following the instructions of the REAR WALL TEMPLATE.

B2. ATTACH THE MOUNTING PLATE TO THE WALL

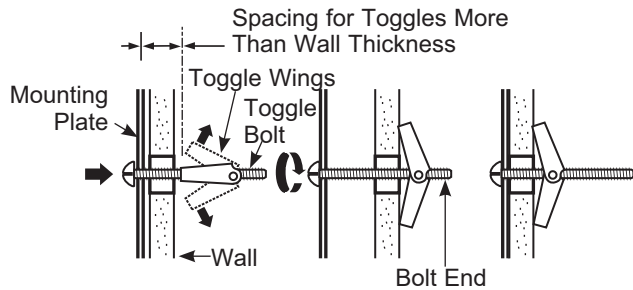


Attach the plate to the wall using toggle bolts. At least one wood screw must be used to attach the plate to a wall stud. Recommended locations on the mounting plate are indicated by A, B, C and D.

- 1** Remove the toggle wings from the bolts.
- 2** Insert the bolts into the mounting plate through the holes designated to go into drywall and reattach the toggle wings to $\frac{3}{4}$ " onto each bolt.

Installation Instructions

To use toggle bolts:



- Place the mounting plate against the wall and insert the toggle wings into the holes in the wall to mount the plate.

NOTE: Before tightening toggle bolts and wood screw, make sure the tabs on the mounting plate touch the bottom of the cabinet when pushed flush against the wall and that the plate is properly centered under the cabinet.

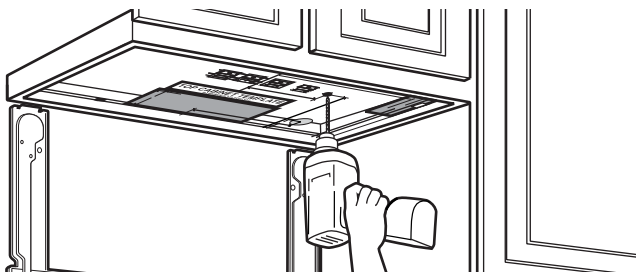
⚠ CAUTION

Be careful to avoid pinching fingers between the back of the mounting plate and the wall.

- Tighten all bolts. Pull the plate away from the wall to help tighten the bolts.

B3. USE TOP CABINET TEMPLATE FOR PREPARATION OF TOP CABINET

You need to drill holes for the top support screws and a hole large enough for the power cord to fit through.



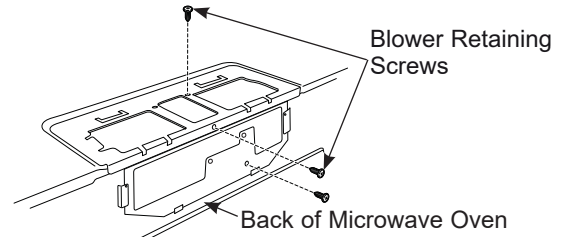
- Read the instructions on the TOP CABINET TEMPLATE.
- Tape it underneath the top cabinet.
- Drill the holes, following the instructions on the TOP CABINET TEMPLATE.

⚠ CAUTION

Wear safety goggles when drilling holes in the cabinet bottom.

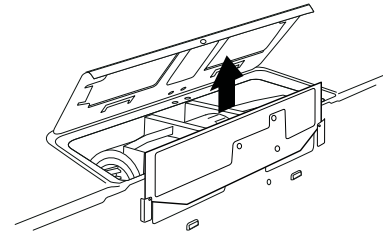
B4. ADAPTING MICROWAVE BLOWER FOR OUTSIDE BACK EXHAUST

- Remove and save screws that hold blower motor to microwave oven.



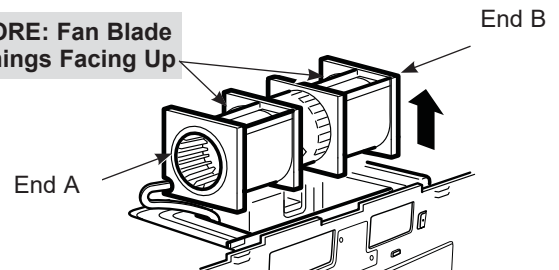
- Open the blower door by lifting it up at the back of the microwave. Remove and save the blower shield on the back of the microwave by sliding it up.

Remove and save the metal vent fan cover on the back of the microwave by sliding it up.

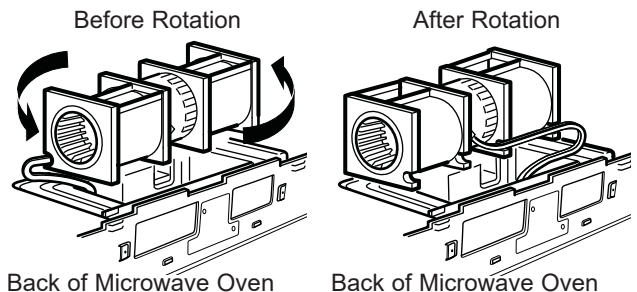


- Carefully pull out the blower unit. The wires will extend far enough to allow you to adjust the blower unit.

BEFORE: Fan Blade Openings Facing Up



- Rotate blower unit counterclockwise 180°.



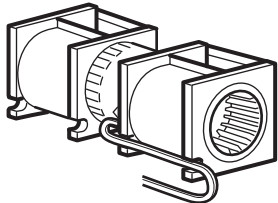
Installation Instructions

B4. ADAPTING MICROWAVE BLOWER FOR OUTSIDE BACK EXHAUST (cont.)

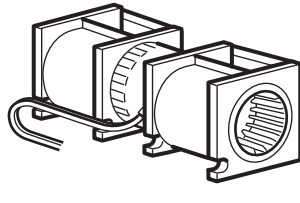
- 5 Gently remove the wires from the grooves. Reroute the wires through grooves on other side of the blower unit.

Before Rerouting

After Rerouting



Wires Routed Through Right Side

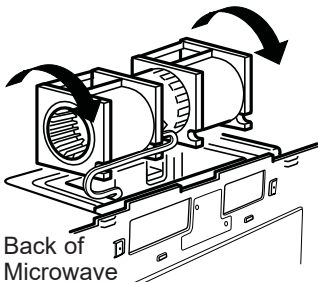


Wires Routed Through Left Side

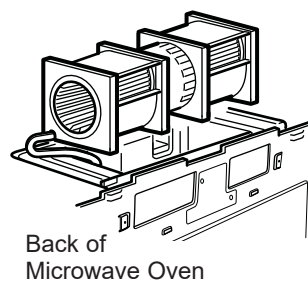
- 6 Roll the blower unit 90° so that fan blade openings are facing out the back of the microwave.

Before Rolling

After Rolling



Back of Microwave Oven



Back of Microwave Oven

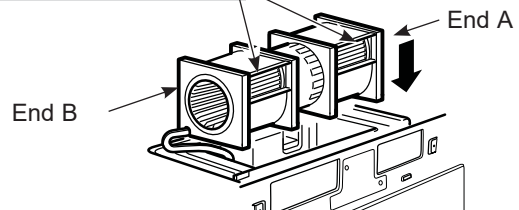
- 7 Locate the two "knockout" plates, on the rear oven panel, near the top of the oven. Using tin snips, carefully cut the web area from the two holes side-by-side (that secure the knockouts to the oven). Cut all four webs on both rear knockouts; this will allow the ventilation fan airflow to exhaust out the rear of the oven.

CAUTION Be sure to trim the sharp edges from the openings after removing the knockout plates.

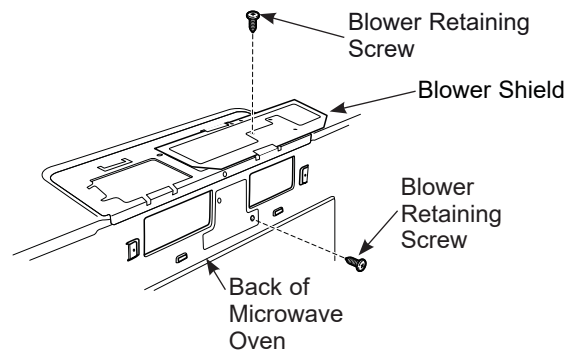
- 8 Place the blower unit back into the opening. The blower unit exhaust openings should match exhaust openings on rear of microwave.

CAUTION Do not pull or stretch the blower unit wiring. Make sure the wires are not pinched.

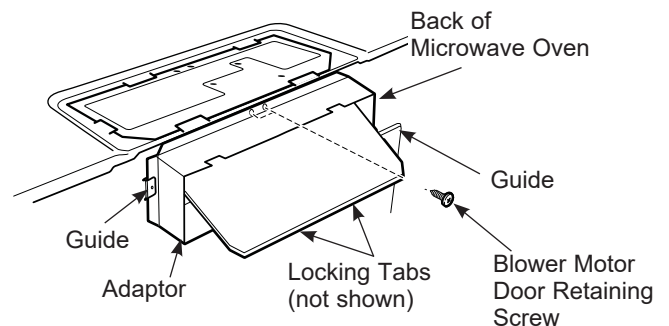
AFTER: Fan Blade Openings Facing Back



- 9 Close the blower door. Slide blower shield onto the top of the blower door opening. Secure the blower to the microwave oven using the blower retaining screws from Step 1 except the upper blower motor retaining screw

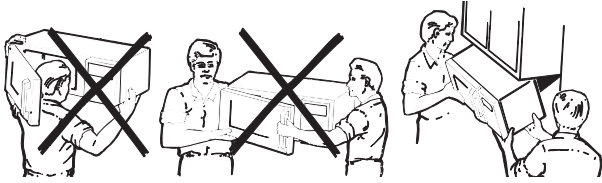


- 10 Slide the exhaust adaptor onto the back of the microwave oven, securing it into the lower locking tabs. Take care to ensure that the damper hinge is installed so that it is at the top and that the damper swings freely. Reinstall the upper blower motor screw through the adaptor and the blower door and into the back of the microwave oven.



Installation Instructions

B5. MOUNT THE MICROWAVE OVEN



CAUTION FOR EASIER INSTALLATION AND PERSONAL SAFETY, WE RECOMMEND THAT TWO PEOPLE INSTALL THIS MICROWAVE OVEN.

IMPORTANT: Do not grip or use handle during installation.

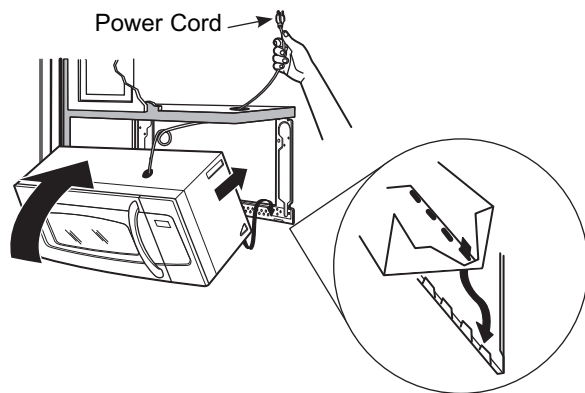
NOTE: If your cabinet is metal, use the nylon grommet around the power cord hole to prevent cutting of the cord.

NOTE: We recommend using filler blocks if the cabinet front hangs below the cabinet bottom shelf.

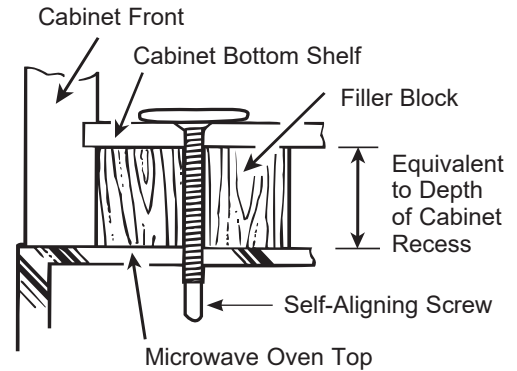
IMPORTANT: If filler blocks are not used, case damage may occur from overtightening screws.

- 1 Lift microwave, tilt it forward, and hook slots at back bottom edge onto four lower tabs of mounting plate.

NOTE: When mounting the microwave oven, thread power cord through hole in bottom of top cabinet. Keep it tight throughout Steps 1–3. Do not pinch cord or lift oven by pulling cord.

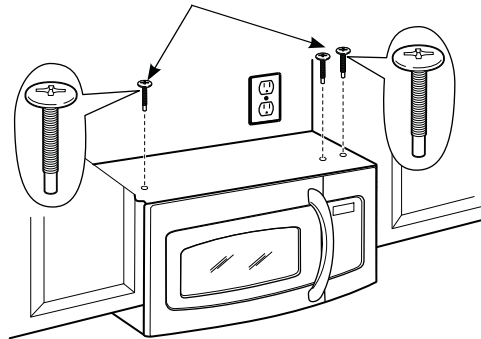


- 2 Rotate front of oven up against cabinet bottom.
- 3 Insert a self-aligning screw through top center cabinet hole. Temporarily secure the oven by turning the screw at least two full turns after the threads have engaged. (It will be completely tightened later.) Be sure to keep power cord tight. Be careful not to pinch the cord, especially when mounting flush to bottom of cabinet.

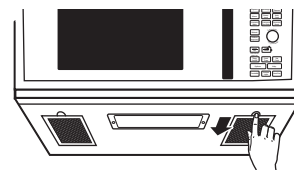


- 4 Attach the microwave oven to the top cabinet.
- 5 Insert 3 self-aligning screws through outer top cabinet holes. Turn two full turns on each screw.

Self-Aligning Screws



- 6 Tighten the outer three screws to the top of the microwave oven. (While tightening screws, hold the microwave oven in place against the wall and the top cabinet.)
- 7 Install grease filter. See the Owner's Manual packed with the microwave.

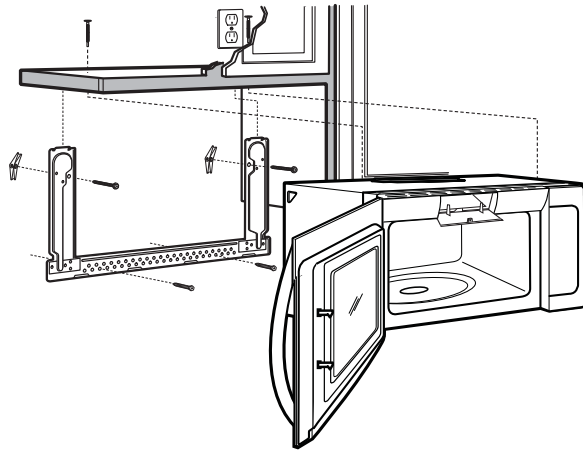


Installation Instructions

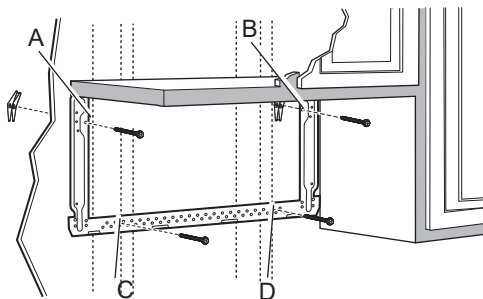
C RECIRCULATING (Non-Vented Ductless)

INSTALLATION OVERVIEW

- C1. Attach Mounting Plate to Wall
- C2. Prepare Top Cabinet
- C3. Check Blower Motor Orientation
- C4. Adapt Blower for Recirculation
- C5. Mount the Microwave Oven
- C6. Install Charcoal Filter



C1 ATTACH THE MOUNTING PLATE TO THE WALL

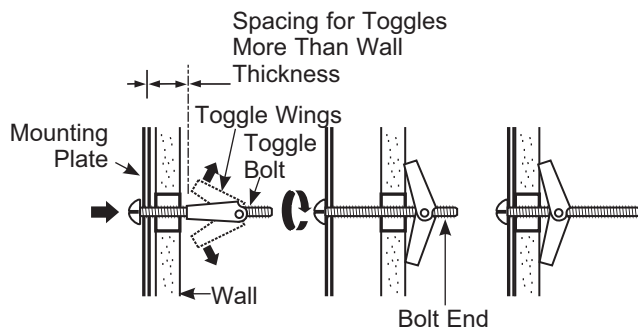


Attach the plate to the wall using toggle bolts. At least one wood screw must be used to attach the plate to

a wall stud. Recommended locations on the mounting plate are indicated by A, B, C and D.

- 1 Remove the toggle wings from the bolts.
- 2 Insert the bolts into the mounting plate through the holes designated to go into drywall and reattach the toggle wings to $\frac{3}{4}$ " onto each bolt.

To use toggle bolts:



- 3 Place the mounting plate against the wall and insert the toggle wings into the holes in the wall to mount the plate.

NOTE: Before tightening toggle bolts and wood screw, make sure the tabs on the mounting plate touch the bottom of the cabinet when pushed flush against the wall and that the plate is properly centered under the cabinet.

CAUTION

Be careful to avoid pinching fingers between the back of the mounting plate and the wall.

- 4 Tighten all bolts. Pull the plate away from the wall to help tighten the bolts.

C2. USE TOP CABINET TEMPLATE FOR PREPARATION OF TOP CABINET

You need to drill holes for top support screws and a hole large enough for the power cord to fit through.



- Read the instructions on the TOP CABINET TEMPLATE.
- Tape it underneath the top cabinet.
- Drill the holes, following the instructions on the TOP CABINET TEMPLATE.

CAUTION

Wear safety goggles when drilling holes in the cabinet bottom.

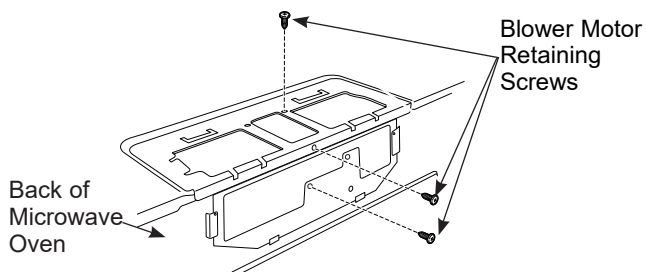
Installation Instructions

C3. CHECK BLOWER MOTOR ORIENTATION

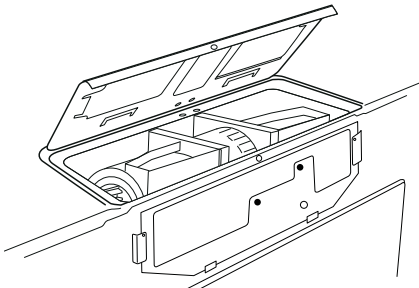
- 1 The blower fan blade opening should be facing the front of the microwave. If the fan opening is already facing the front of the microwave, skip to Step C5. Otherwise, continue to Step C4 to adjust the blower orientation.

C4. ADAPTING MICROWAVE BLOWER FOR RECIRCULATION

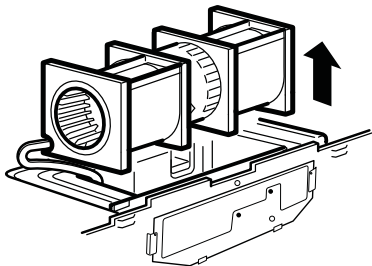
- 1 Remove and save screws that holds blower motor to microwave oven.



- 2 Open the blower door by lifting it up at the back of the microwave oven.

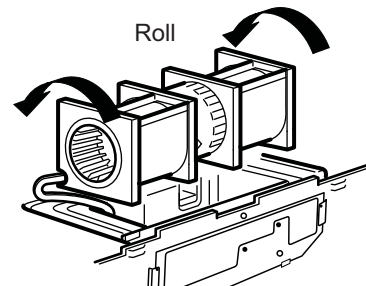
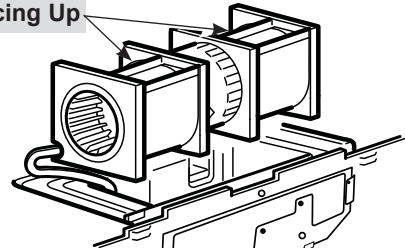


- 3 Carefully pull out the blower unit. The wires will extend far enough to allow you to adjust the blower unit.

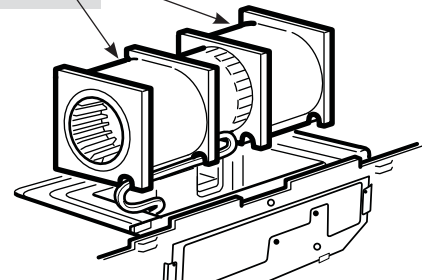


- 4 Roll the blower unit 90° so that fan blade openings are facing toward the front of the microwave.

BEFORE: Fan Blade Openings Facing Up



AFTER: Fan Blade Openings Facing Forward

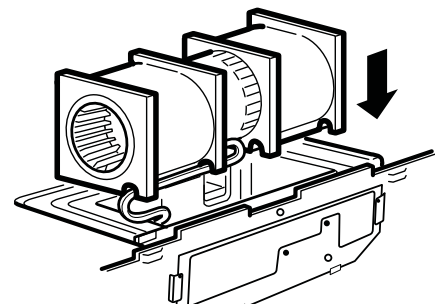


NOTE: Make sure wires remain routed in the grooves of the motor frame.

- 5 Place the blower unit back into the opening.

CAUTION

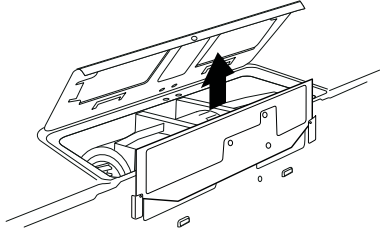
Do not pull or stretch the blower unit wiring. Make sure the wires are not pinched.



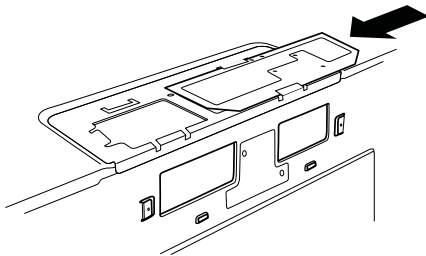
Installation Instructions

C4. ADAPTING MICROWAVE BLOWER FOR RECIRCULATION (cont.)

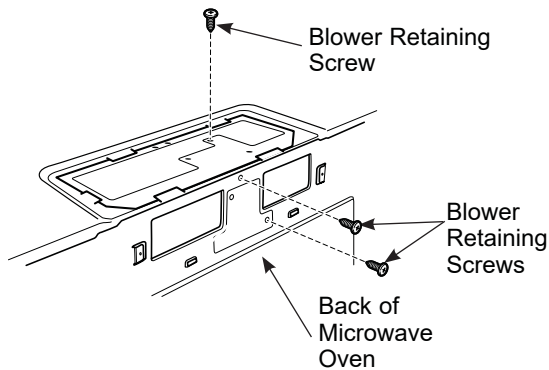
- 6 Remove the metal vent fan cover on the back of the microwave by sliding it up.



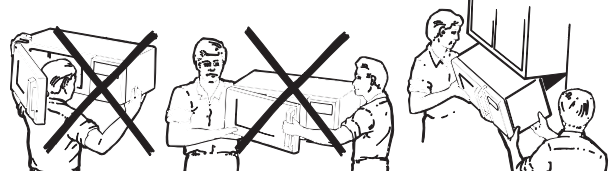
- 7 Close the blower door. Slide blower shield onto the top of the blower door opening.



- 8 Secure the blower to the microwave using the blower retaining screws from Step 1.



C5. MOUNT THE MICROWAVE OVEN



CAUTION FOR EASIER INSTALLATION AND PERSONAL SAFETY, WE RECOMMEND THAT TWO PEOPLE INSTALL THIS MICROWAVE OVEN.

IMPORTANT: Do not grip or use handle during installation.

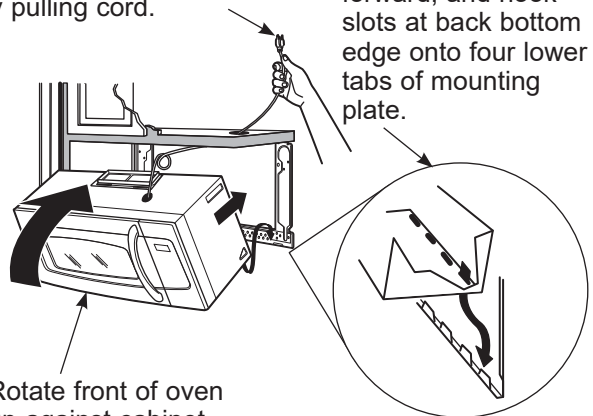
NOTE: If your cabinet is metal, use the nylon grommet around the power cord hole to prevent cutting of the cord.

NOTE: We recommend using filler blocks if the cabinet front hangs below the cabinet bottom shelf.

IMPORTANT: If filler blocks are not used, case damage may occur from overtightening screws.

NOTE: When mounting the microwave oven, thread power cord through hole in bottom of top cabinet. Keep it tight throughout Steps 1–3. Do not pinch cord or lift oven by pulling cord.

- 1 Lift microwave, tilt it forward, and hook slots at back bottom edge onto four lower tabs of mounting plate.

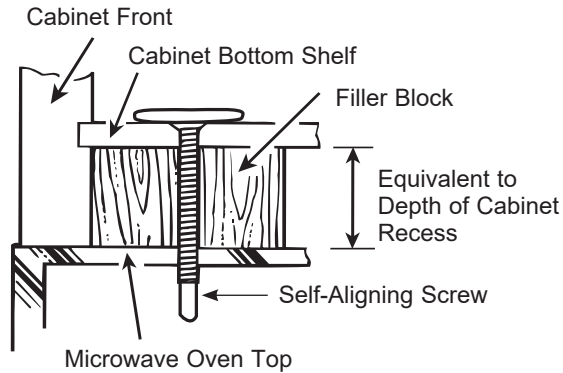


- 2 Rotate front of oven up against cabinet bottom.

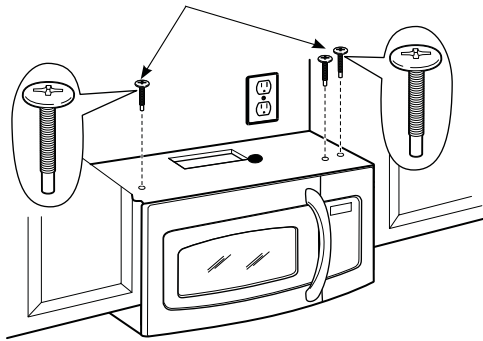
Installation Instructions

C5. MOUNT THE MICROWAVE OVEN (cont.)

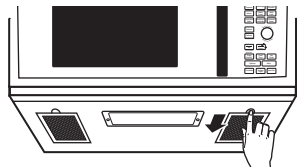
- 3 Insert a self-aligning screw through top center cabinet hole. Temporarily secure the oven by turning the screw at least **two full turns** after the threads have engaged. (It will be completely tightened later.) **Be sure to keep power cord tight. Be careful not to pinch the cord, especially when mounting flush to bottom of cabinet.**



- 4 Attach the microwave oven to the top cabinet.
- 5 Insert 3 self-aligning screws through outer top cabinet holes. Turn two full turns on each screw.



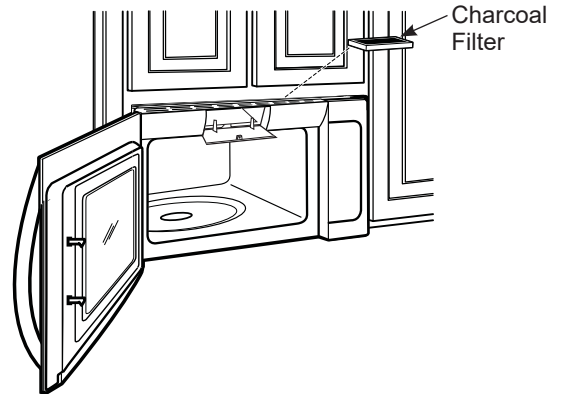
- 6 Tighten the outer three screws to the top of the microwave oven. (While tightening screws, hold the microwave oven in place against the wall and the top cabinet.)
- 7 Install grease filter. See the Owner's Manual packed with the microwave.



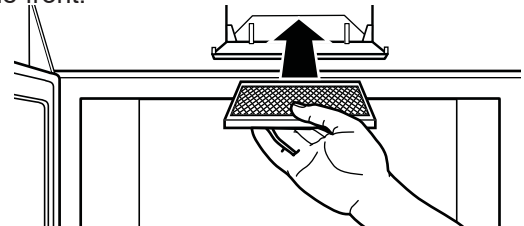
C6. CHARCOAL FILTER

A charcoal filter is installed in all units. Follow the steps below to check the filter.

- 1 Open the filter door by pushing down 2 buttons on the top of the microwave just above the filter door.
- 2 Push the filter at the bottom until it comes free of the locking tabs. Slide the filter down and out.



- 3 Install the charcoal filter. When properly installed, the wire mesh of the filter should be visible from the front.



Insert mesh-side up

- 4 Close the door.

Installation Instructions

BEFORE YOU USE YOUR MICROWAVE

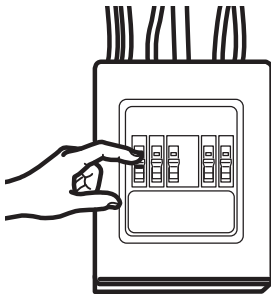
1. Make sure the microwave oven has been installed according to instructions.



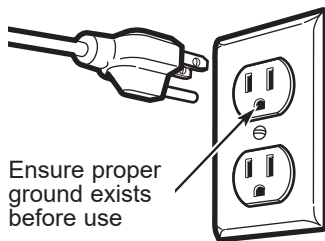
2. Remove all packing material from the microwave oven.

3. Install turntable and ring in cavity.

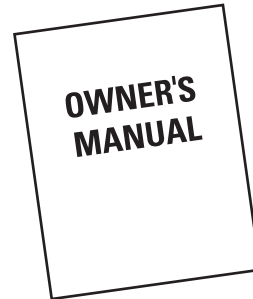
4. Replace house fuse or turn breaker back on.



5. Plug power cord into a dedicated 15- to 20-amp electrical outlet.



6. Read the Owner's Manual.



7. KEEP INSTALLATION INSTRUCTIONS FOR THE LOCAL INSPECTOR'S USE.



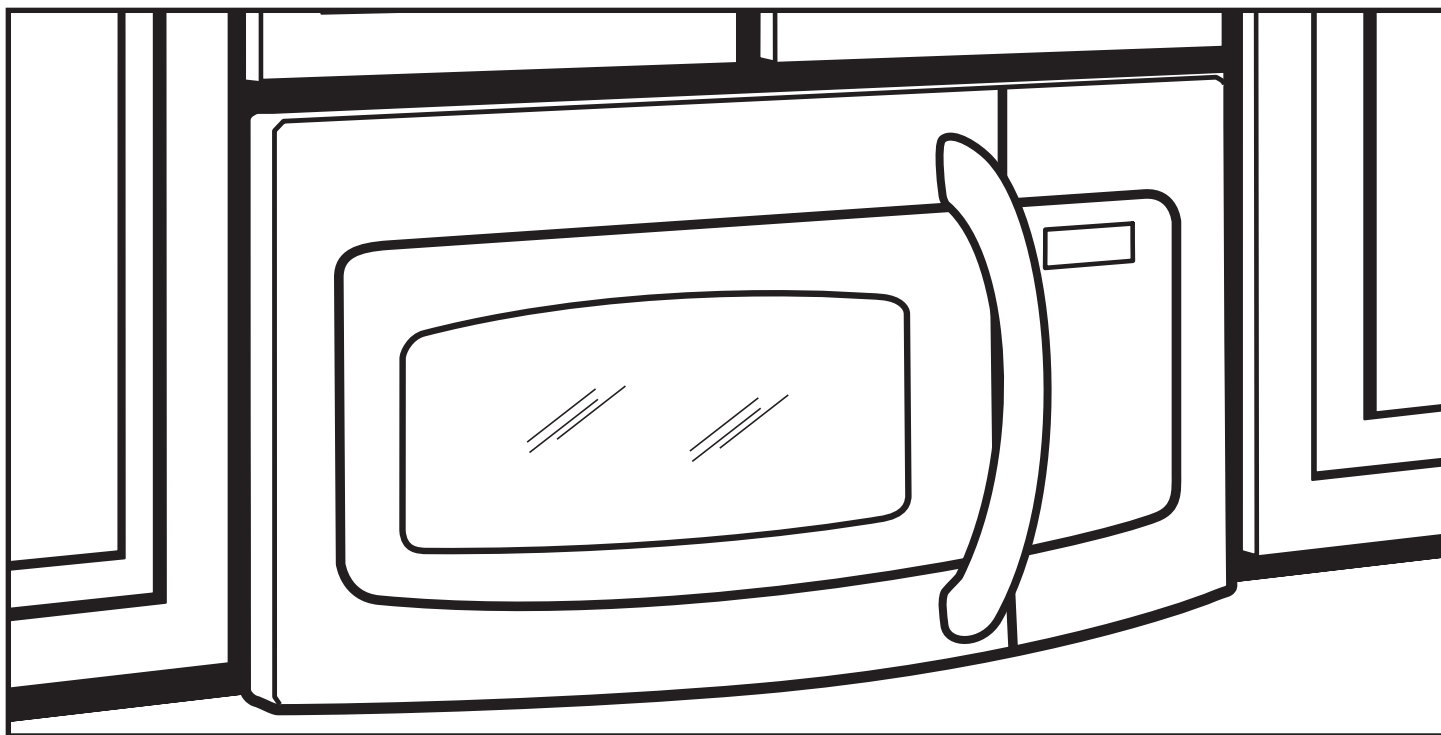
Instructions d'installation

Four à micro-ondes à hotte intégrée

AVANT DE COMMENCER

Lisez attentivement toutes ces instructions.

- **IMPORTANT** – Conservez ces instructions pour l'inspecteur local.
- **IMPORTANT** – Respectez tous les codes et règlements en vigueur.
- **Remarque destinée à l'installateur** – Veillez à laisser ces instructions au consommateur.
- **Remarque destinée au consommateur** – Conservez ces instructions pour vous y reporter ultérieurement.
- **Niveau de compétence** – L'installation de cet appareil nécessite des compétences de base en mécanique et en électricité.
- L'installateur est responsable de la qualité de l'installation.
- Une panne de ce produit causée par une mauvaise installation n'est pas couverte par la garantie.



**VEUILLEZ LIRE ATTENTIVEMENT.
CONSERVEZ CES INSTRUCTIONS.**

Instructions d'installation

TABLE DES MATIÈRES

Renseignements généraux

Consignes de sécurité importantes	3
Exigences électriques	3
Évacuation de la hotte	4, 5
Dommages – Expédition/installation	6
Pièces comprises	6
Outils dont vous aurez besoin	7
Dégagements pour l'installation	7

Guide d'installation étape par étape

Mise en place de la plaque de montage	8 à 10
Retrait de la plaque de montage	8
Localisation des montants	8
Établissement de l'emplacement de la plaque murale	9
Alignement de la plaque murale	10
Types d'installation	11 à 23

A Évacuation à l'extérieur par le dessus	12 à 15
Fixation de la plaque de montage au mur	12
Préparation de l'armoire supérieure	13
Vérification de l'orientation du moteur du ventilateur	13
Adaptation du ventilateur pour l'évacuation à l'extérieur	13, 14
Vérification du fonctionnement du registre	14
Installation du four à micro-ondes	14, 15
Ajustement de l'adaptateur d'évacuation	15
Connexion au conduit	15

B Évacuation à l'extérieur par l'arrière	16 à 19
---	---------

Préparation du mur arrière pour l'évacuation à l'extérieur par l'arrière

Fixation de la plaque de montage au mur

Préparation de l'armoire supérieure

Adaptation du ventilateur du four à micro-ondes pour l'évacuation à l'extérieur par l'arrière

Installation du four à micro-ondes

C Recyclage de l'air	20 à 23
-----------------------------------	---------

Fixation de la plaque de montage au mur

Préparation de l'armoire supérieure

Vérification de l'orientation du moteur du ventilateur

Adaptation du ventilateur du four à micro-ondes pour le recyclage de l'air

Installation du four à micro-ondes

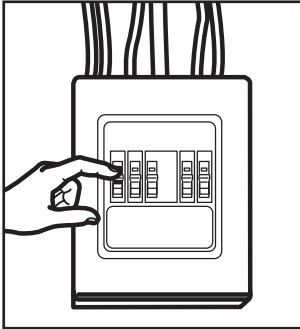
Installation du filtre à charbon

Avant d'utiliser votre four à micro-ondes

Instructions d'installation

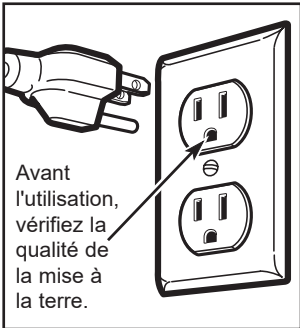
CONSIGNES DE SÉCURITÉ IMPORTANTES

Avant d'entreprendre l'installation, un électricien qualifié doit vérifier la continuité à la prise murale pour s'assurer qu'elle est adéquatement mise à la terre. Si ce n'est pas le cas, ou si la prise murale ne répond pas aux exigences électriques indiquées (à la section EXIGENCES ÉLECTRIQUES), il faut faire appel à un électricien qualifié pour corriger tout défaut.



⚠ AVERTISSEMENT

Risque de décharge électrique. **Peut entraîner des blessures ou la mort : Enlevez le fusible ou déclenchez le disjoncteur au panneau de distribution principal avant d'entreprendre l'installation, afin d'éviter toute blessure grave ou mortelle imputable à un choc électrique.**



Avant l'utilisation, vérifiez la qualité de la mise à la terre.

⚠ AVERTISSEMENT

Risque de décharge électrique. **Peut entraîner des blessures ou la mort : CET APPAREIL DOIT ÊTRE CONVENABLEMENT MIS À LA TERRE pour éviter un choc grave ou mortel.**

Pour diminuer les risques de chocs électriques, le cordon d'alimentation de cet appareil est muni d'une fiche à trois broches (mise à la terre) qui correspond à une prise murale à trois alvéoles (prise mise à la terre).

Si la prise murale est du type standard à deux alvéoles, il faut la faire remplacer par une prise à trois alvéoles correctement mise à la terre, en vous adressant à un électricien qualifié.

RISQUE DE CHOC ÉLECTRIQUE

⚠ AVERTISSEMENT Peut entraîner des blessures ou la mort : **NE COUPEZ, NE DÉFORMEZ ET NE RETIREZ** sous aucun prétexte, **AUCUNE des broches de la fiche du cordon d'alimentation. N'utilisez pas de cordon prolongateur. Le non-respect de ces consignes peut causer un incendie.**

EXIGENCES ÉLECTRIQUES

Les caractéristiques nominales de ce produit sont : 120 V CA, 60 Hz, 15 A et 1,75 kW. Cet appareil doit être branché à un circuit d'alimentation de tension et de fréquence appropriées. La taille des fils doit être conforme aux exigences du Code national de l'électricité ou du code local en vigueur pour cette puissance nominale. La fiche du cordon d'alimentation doit être branchée dans une prise de courant distincte mise à la terre, de 15 ou 20 ampères. La boîte de la prise doit être aménagée dans l'armoire située au-dessus du four à micro-ondes. La boîte de la prise et le circuit d'alimentation doivent être installés par un électricien qualifié, conformément aux normes du Code national de l'électricité ou du code local en vigueur.

POUR VOTRE SÉCURITÉ :

⚠ ATTENTION Pour votre sécurité, la surface de montage doit être en mesure de supporter la charge des armoires et un poids supplémentaire de 63 à 85 lb (28,5 à 38,5 kg) correspondant au poids du produit, ainsi que la charge du four qui peut atteindre 50 lb (22,7 kg), pour un poids total de 113 à 135 lb (51,2 à 61,2 kg).

⚠ ATTENTION Pour votre sécurité, ce produit ne doit pas être installé sous des armoires aménagées en îlot ou en péninsule. Il doit être fixé À LA FOIS à une armoire supérieure ET à un mur.

⚠ ATTENTION Afin d'éviter les risques de blessure (blessures au dos ou autres dues au poids excessif du four à micro-ondes) et pour ne pas endommager le produit, son installation doit être effectuée par deux personnes.


Instructions d'installation




ÉVACUATION DE LA HOTTE

REMARQUE : Ne lisez les deux pages suivantes que si vous décidez d'évacuer à l'extérieur l'air du ventilateur. Si vous décidez de recycler l'air dans la pièce, rendez-vous à la page 6.

ÉVACUATION À L'EXTÉRIEUR PAR LE DESSUS (EXEMPLE SEULEMENT)

Le tableau suivant décrit un exemple d'installation de conduit possible.

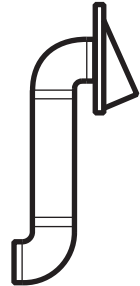


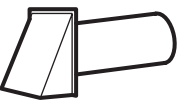


PIÈCES DE CONDUIT		LONGUEUR ÉQUIVALENTE x	NOMBRE UTILISÉ =	LONGUEUR
	Évent de toiture	24 pi	x (1) =	24 pi
	Conduit droit de 12 pi (rond de 6 po)	12 pi	x (1) =	12 pi
	Conduit de transition rectangulaire à rond*	5 pi	x (1) =	5 pi
Les longueurs équivalentes des pièces de conduits sont basées sur des essais réels et représentent les longueurs nécessaires à une bonne ventilation pour n'importe quelle hotte.				
Longueur totale =				41 pi

* **IMPORTANT** : Si vous utilisez un conduit de transition rectangulaire à rond, il faudra couper les coins inférieurs du registre aux dimensions du conduit de transition à l'aide de cisailles pour que le registre puisse bouger.

ÉVACUATION À L'EXTÉRIEUR PAR L'ARRIÈRE (EXEMPLE SEULEMENT)

Le tableau suivant décrit un exemple d'installation de conduit possible.



PIÈCES DE CONDUIT		LONGUEUR ÉQUIVALENTE* x	NOMBRE UTILISÉ =	LONGUEUR
	Évent mural	40 pi	x (1) =	40 pi
	Conduit droit de 3 pi (rectangulaire de 3¼ x 10 po)	3 pi	x (1) =	3 pi
	Coude de 90°	10 pi	x (2) =	20 pi
Les longueurs équivalentes des pièces de conduits sont basées sur des essais réels et représentent les longueurs nécessaires à une bonne ventilation pour n'importe quelle hotte.				
Longueur totale =				63 pi

REMARQUE : Dans le cas d'évacuation par l'arrière, vous devez faire attention d'aligner le conduit d'évacuation avec les espaces entre les montants, ou le mur devrait être préparé au moment de la construction en laissant assez d'espace entre les montants pour recevoir le conduit.

1 po = 2,5 cm; 1 pi = 0,3 m

Instructions d'installation

REMARQUE : Si vous devez installer un conduit, la longueur totale du conduit rectangulaire de 3¼ x 10 po ou du conduit rond de 6 po de diamètre **ne doit pas excéder une longueur équivalente de 140 pi.**

L'évacuation vers l'extérieur requiert un CONDUIT D'ÉVACUATION POUR HOTTE. Lisez attentivement ce qui suit.

REMARQUE : Il est important que l'évacuation soit installée en utilisant le chemin le plus direct et avec le moins de coudes possible. Cela assure une bonne évacuation et aide à prévenir les blocages. **Assurez-vous également que les registres bougent librement et que rien ne bloque les conduits.**

Connexion au conduit :

La sortie d'évacuation de la hotte a été conçue pour être raccordée à un conduit rectangulaire standard de 3¼ x 10 po.


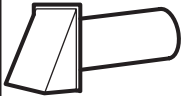


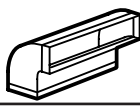
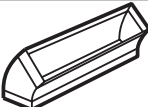
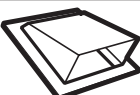

Si vous avez besoin d'un conduit rond, il faut utiliser un conduit de transition. **N'utilisez pas un conduit dont le diamètre est inférieur à 6 po.**

Longueur maximale du conduit :

Pour une circulation d'air satisfaisante, la longueur totale du conduit rectangulaire de 3¼ x 10 po ou du conduit rond de 6 po de diamètre **ne doit pas excéder une longueur équivalente à 140 pi.**

Les coudes, conduits de transition, événements muraux ou de toiture, etc.,

offrent une résistance supplémentaire à la circulation de l'air et sont équivalents à une section de conduit droit plus longue que leur dimension réelle. Lorsque vous calculez la longueur totale du conduit, ajoutez les longueurs équivalentes de tous les conduits de transition et des coudes, ainsi que la longueur de toutes les sections de conduit droit. Vous trouverez dans le tableau ci-dessous la longueur équivalente approximative en pieds de certains types de conduits.

PIÈCES DE CONDUIT		LONGUEUR ÉQUIVALENTE	x	NOMBRE UTILISÉ	=	LONGUEUR
	Conduit de transition rectangulaire à rond*	5 pi	x	()	=	pi
	Évent mural	40 pi	x	()	=	pi
	Coude de 90°	10 pi	x	()	=	pi
	Coude de 45°	5 pi	x	()	=	pi
	Coude de 90°	25 pi	x	()	=	pi
	Coude de 45°	5 pi	x	()	=	pi
	Évent de toiture	24 pi	x	()	=	pi
	Conduit droit rond de 6 po ou rectangulaire de 3¼ x 10 po	1 pi	x	()	=	pi
Conduit total					=	pi



* **IMPORTANT :** Si vous utilisez un conduit de transition rectangulaire à rond, il faudra couper les coins inférieurs du registre aux dimensions du conduit de transition à l'aide de cisailles pour que le registre puisse bouger.

Les longueurs équivalentes des pièces de conduits sont basées sur des essais réels et représentent les longueurs nécessaires à une bonne ventilation pour n'importe quelle hotte.

1 po = 2,5 cm; 1 pi = 0,3 m

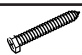
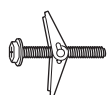


Instructions d'installation

DOMMAGES – EXPÉDITION/ INSTALLATION

- Si l'appareil est endommagé durant le transport, retournez-le au magasin où vous l'avez acheté pour le faire réparer ou remplacer.
- Si l'appareil est endommagé par le client, la réparation ou le remplacement reste à la charge du client.
- Si l'appareil est endommagé par l'installateur (s'il ne s'agit pas du client), la réparation ou le remplacement doivent faire l'objet d'une entente entre le client et l'installateur.

PIÈCES COMPRISES


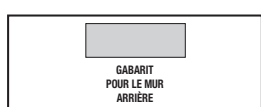


QUINCAILLERIE

PIÈCE		QUANTITÉ
	Vis à bois (1/4 po x 2 po)	2
	Boulons à ailettes (et écrous à oreilles) (3/16 po x 3 po)	2
	Vis à métaux à auto-alignement (1/4 po-28 x 3/4 po)	3
	Passe-fil en nylon (pour armoires en métal)	1

Vous trouverez les pièces de quincaillerie dans un sachet fourni avec l'appareil. Vérifiez que vous avez reçu toutes ces pièces.

REMARQUE : Des pièces supplémentaires sont incluses.

AUTRES PIÈCES

PIÈCE		QUANTITÉ
	Gabarit pour l'armoire supérieure	1
	Gabarit pour le mur arrière	1
	Instructions d'installation	1
	Filtres à graisses emballés séparément	2

1 po = 2,5 cm; 1 pi = 0,3 m

Instructions d'installation

OUTILS DONT VOUS AUREZ BESOIN



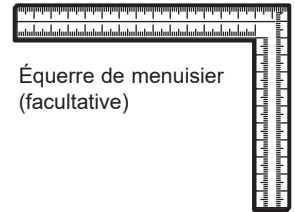
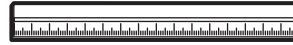
Tournevis Phillips n° 1 et n° 2



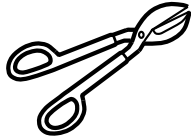
Crayon



Règle ou mètre-ruban et règle droite



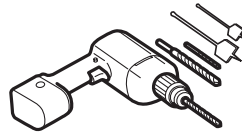
Équerre de menuisier (facultative)



Cisailles de ferblantier (pour couper le registre, si requis)



Ciseaux (pour couper le gabarit, si nécessaire)



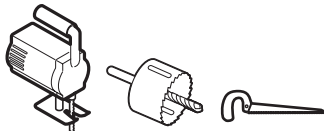
Perceuse électrique avec forets de 3/16 po, 1/2 po et 5/8 po



Entretoises d'assemblage ou pièces de bois de récupération, si besoin est, pour l'espacement avec l'armoire supérieure (utilisées pour l'installation sous une armoire dont le fond est doté d'un rebord)



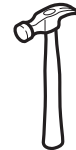
Gants



Scie (sauteuse, trépan ou à guichet)



Localisateur de montant



Marteau (facultatif)



Lunettes de sécurité

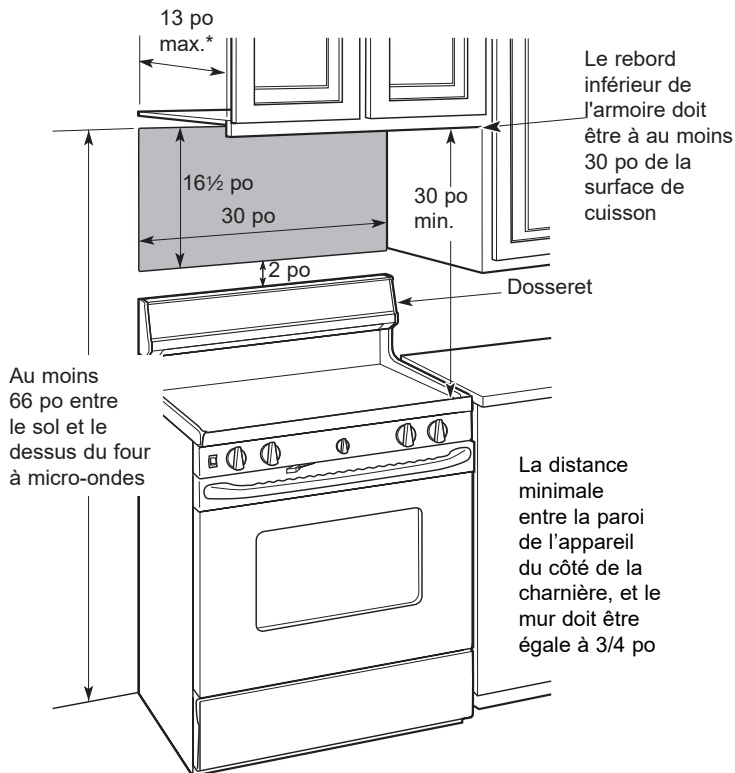


Niveau



Ruban adhésif en toile et ruban-cache

DÉGAGEMENTS POUR L'INSTALLATION



REMARQUES :

- Il faut un espace d'au moins 30 po entre les armoires, sans obstructions.
- Si l'espace entre les armoires est supérieur à 30 po, un ensemble de panneaux complémentaires peut être utilisé pour combler l'espace entre le four à micro-ondes et les armoires. Votre Manuel de l'utilisateur contient le numéro de l'ensemble qui convient à votre modèle.
- Ce four à micro-ondes est conçu pour une installation au-dessus de cuisinières d'une largeur maximale de 36 po.
- Si l'évacuation de l'air de votre four à micro-ondes s'effectue vers l'extérieur, consultez la section « Évacuation de la hotte » pour la préparation du conduit d'évacuation.
- **Lorsque vous installez le four à micro-ondes sous des armoires dont le fond est lisse et plat, suivez attentivement les directives indiquées sur le gabarit pour l'armoire supérieure en ce qui concerne le dégagement du cordon d'alimentation.**
- Pour les modèles avec grilles de ventilation vers le haut : **Ne laissez pas les armoires ou autres objets obstruer la circulation d'air des trous de l'évent.**

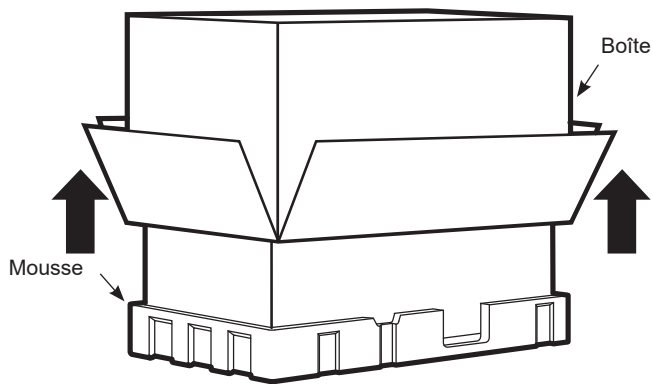
* 13 po max. : pour une installation standard; une profondeur d'armoire de 15 po nécessite des étapes supplémentaires à l'aide d'un ensemble d'installation supplémentaire (JX15BUMPWW/BB).

Instructions d'installation

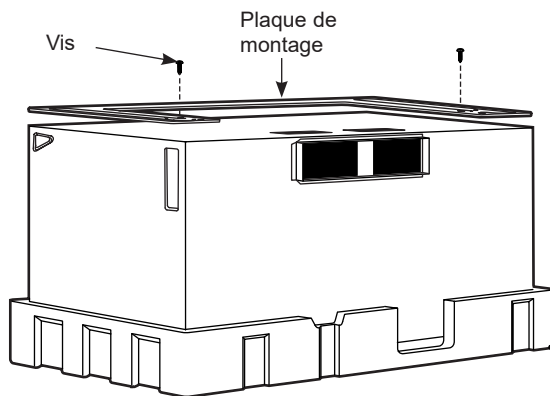
1 MISE EN PLACE DE LA PLAQUE DE MONTAGE

A. RETRAIT DU FOUR À MICRO-ONDES DE LA BOÎTE/RETRAIT DE LA PLAQUE DE MONTAGE

- 1 Retirez les directives d'installation, les filtres, le plateau en verre et le sachet de quincaillerie. N'enlevez pas la protection en polystyrène du devant du four.
- 2 Repliez complètement les quatre rabats contre les côtés de la boîte. Ensuite, retournez le four et la boîte avec précaution. Le four devrait reposer sur la mousse.

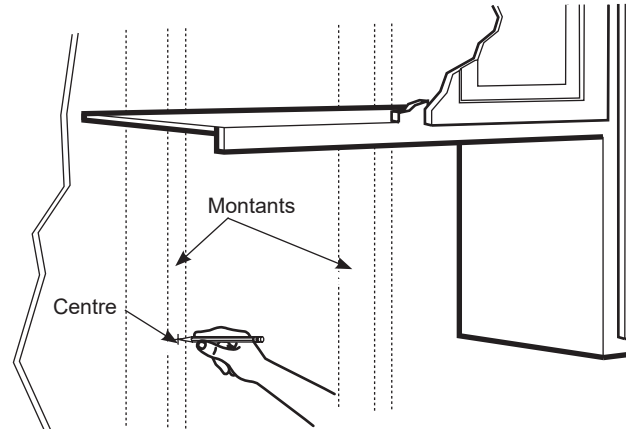


- 3 Tirez la boîte vers le haut pour dégager le four.
- 4 Enlevez et jetez les sacs en plastique.



- 5 Enlevez les deux vis de la plaque de montage. Cette plaque sera utilisée comme gabarit pour le mur arrière et pour le montage. Vous pouvez jeter ces vis.

B. LOCALISATION DES MONTANTS



- 1 Localisez les montants en utilisant une des méthodes suivantes :
 - A. Localisateur de montant – dispositif magnétique permettant de localiser les clous.

OU

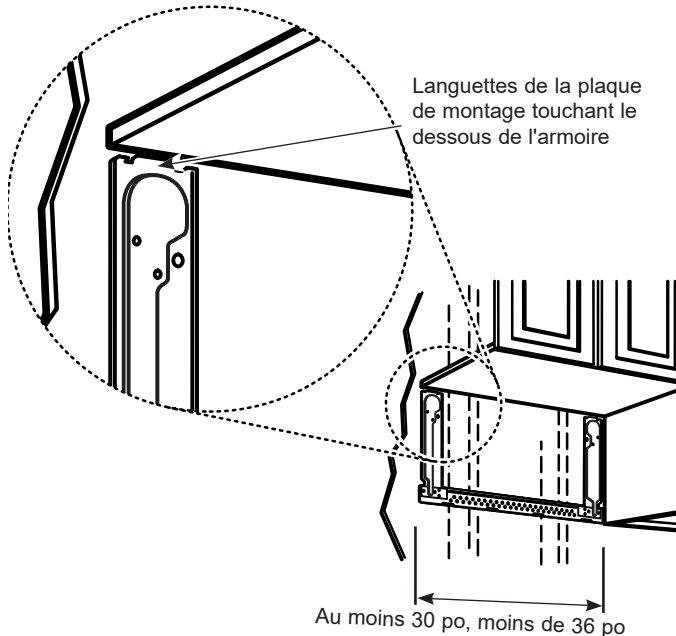
 - B. Utilisez un marteau pour frapper légèrement sur la surface de montage jusqu'à ce que vous n'entendiez plus un son creux. Cela signifie que vous avez trouvé un montant.
- 2 Après avoir localisé le ou les montants, trouvez-en le centre en vérifiant le mur à l'aide d'un petit clou afin de trouver les rebords du montant. Puis, faites une marque à mi-chemin entre les deux bords. Le centre de tout montant adjacent doit se trouver à 16 po ou 24 po de cette marque.
- 3 Tracez une ligne verticale au milieu des montants.

REMARQUE : LE FOUR À MICRO-ONDES DOIT ÊTRE FIXÉ À AU MOINS UN MONTANT DU MUR.

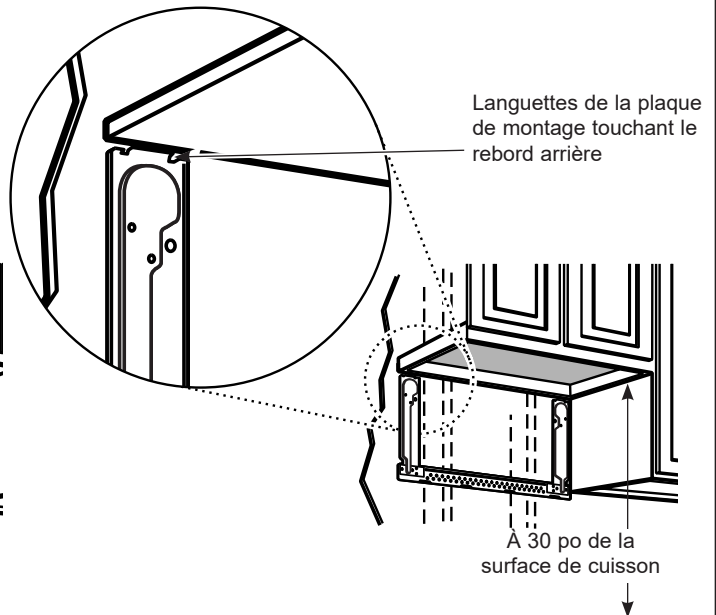
Instructions d'installation

C. ÉTABLISSEMENT DE L'EMPLACEMENT DE LA PLAQUE MURALE SOUS VOTRE ARMOIRE

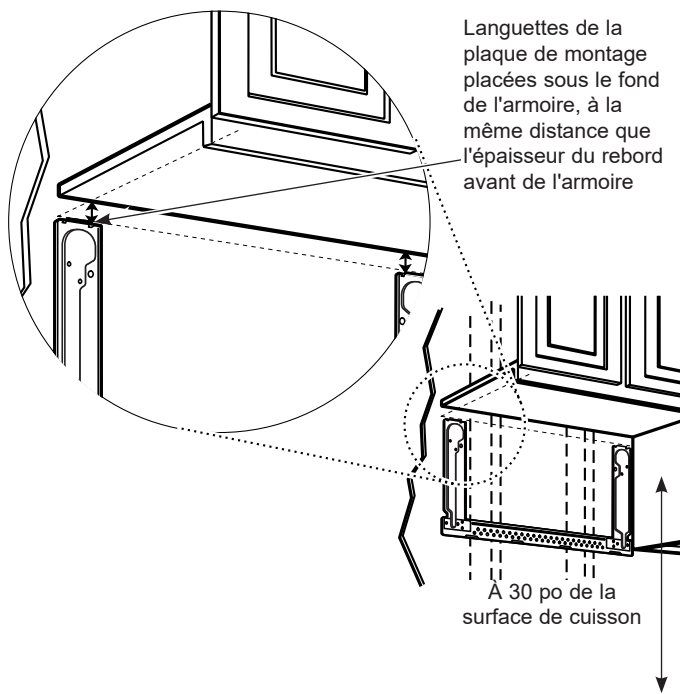
Emplacement de la plaque – sous une armoire à fond plat



Emplacement de la plaque – sous une armoire dont le fond est doté d'un rebord



Emplacement de la plaque – sous une armoire dotée d'un rebord avant



Vos armoires peuvent être dotées de garnitures décoratives qui entravent l'installation du four à micro-ondes. Enlevez l'élément décoratif pour installer convenablement le four à micro-ondes et pour vous assurer qu'il est de niveau.

REMARQUE : LE FOUR À MICRO-ONDES DOIT ÊTRE DE NIVEAU.

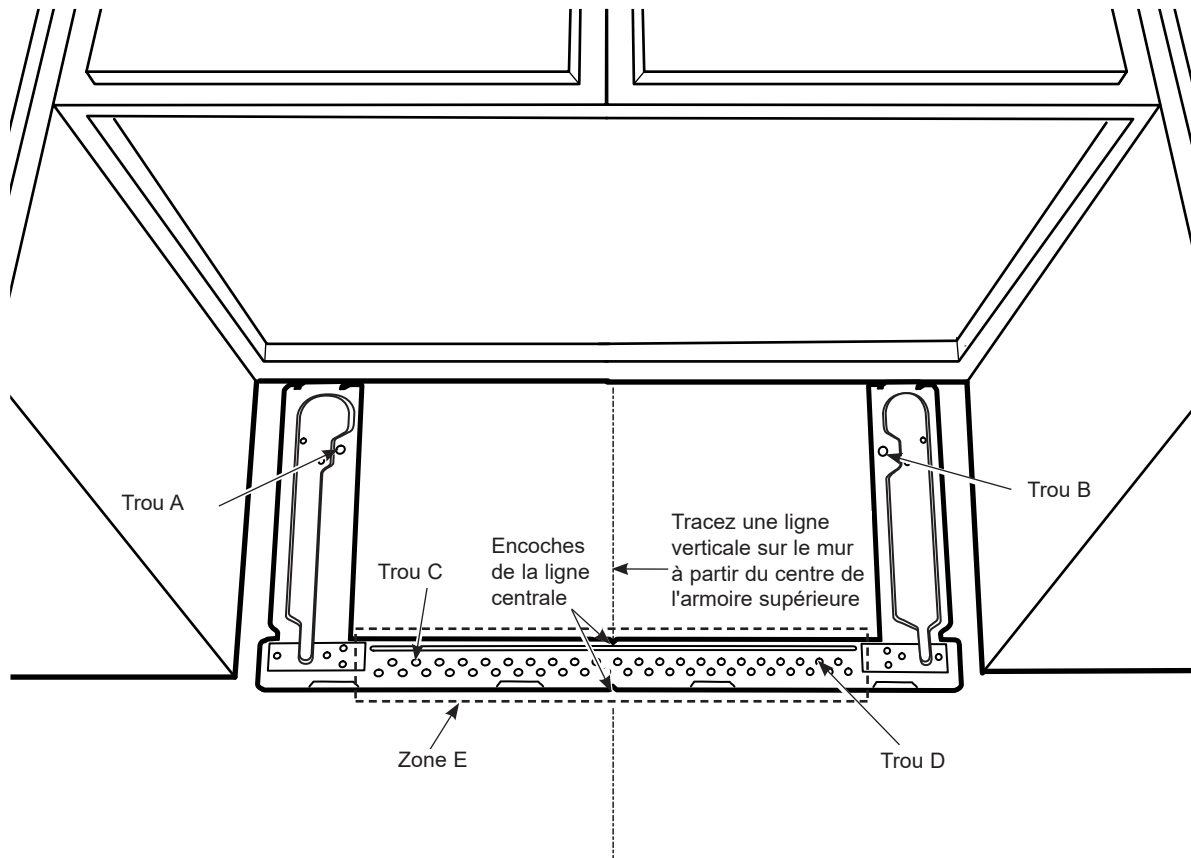
Utilisez un niveau pour vous assurer que le fond de l'armoire est de niveau.

Si les armoires sont dotées uniquement d'un rebord avant, sans rebord sur les côtés ou à l'arrière, installez la plaque de montage plus bas, à la même distance que le rebord avant de l'armoire. Ainsi, le four à micro-ondes sera de niveau.

- 1 Mesurez l'épaisseur intérieure du rebord avant de l'armoire.
- 2 Tracez une ligne horizontale sur le mur arrière, en dessous du fond de l'armoire, à une distance égale à l'épaisseur intérieure du rebord avant de l'armoire.
- 3 Pour l'installation sous une armoire dotée uniquement d'un rebord avant, alignez les languettes de montage avec cette ligne horizontale, sans toucher le fond de l'armoire, tel que décrit à l'étape D.

Instructions d'installation

D. ALIGNEMENT DE LA PLAQUE MURALE



ATTENTION Portez des gants pour éviter de vous couper les doigts sur les rebords coupants.

- 1 Tracez une ligne verticale sur le mur au centre de l'espace de 30 po de largeur.
- 2 Utilisez la plaque de montage **comme gabarit** pour le mur arrière. Placez la plaque de montage sur le mur, en vous assurant que les languettes **touchent le fond de l'armoire ou la ligne de niveau** tracée à l'étape C dans le cas des armoires dotées d'un rebord avant. **Alignez l'encoche et la ligne centrale de la plaque de montage avec la ligne centrale tracée sur le mur.**
- 3 Tout en tenant la plaque de montage d'une main, tracez des cercles sur le mur aux points (trous) A, B, C et D (voyez le schéma plus haut/la plaque réelle est pourvue de flèches). **Quatre trous doivent être utilisés pour le montage.**

REMARQUE : Les trous C et D sont situés à l'intérieur de la zone E. Si aucun des trous C et D ne se trouve dans un montant, trouvez un montant à un autre endroit de la zone E et tracez un cinquième cercle aligné sur ce montant. Il est important qu'**au moins une vis à bois** soit fixée **solidement dans un montant** pour soutenir le poids du four à micro-ondes.

Mettez la plaque de montage de côté.

AVERTISSEMENT Risque de décharge électrique. Peut entraîner des blessures ou la mort. Faites attention de ne pas percer le câblage électrique à l'intérieur des murs ou des armoires.

- 4 Percez des trous dans les cercles. S'il y a un montant, percez un trou de $\frac{3}{16}$ po pour les vis à bois. S'il n'y a pas de montant, percez un trou de $\frac{5}{8}$ po pour les boulons à ailettes. Percez deux trous de $\frac{5}{8}$ po pour les vis à ailettes.

REMARQUE : NE FIXEZ PAS LA PLAQUE DE MONTAGE MAINTENANT.

Instructions d'installation

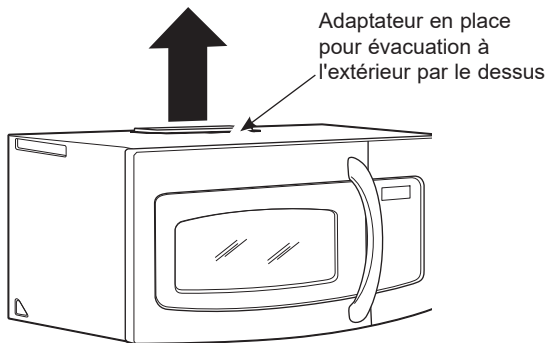
2 TYPES D'INSTALLATION (choisissez A, B ou C)

Ce four à micro-ondes est conçu pour s'adapter aux trois types d'évacuation suivants :

- A. Évacuation à l'extérieur par le dessus (conduit vertical)
- B. Évacuation à l'extérieur par l'arrière (conduit horizontal)
- C. Recyclage de l'air (évacuation sans conduit)

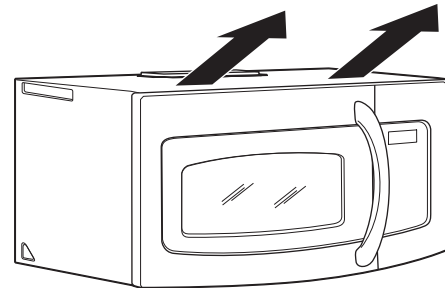
REMARQUE : Ce four à micro-ondes est équipé à l'usine en vue d'une évacuation à l'extérieur par le dessus (sauf les modèles sans conduit). Choisissez le type d'évacuation approprié à votre installation et rendez-vous à cette section.

A ÉVACUATION À L'EXTÉRIEUR PAR LE DESSUS (CONDUIT VERTICAL)



Voir page 12

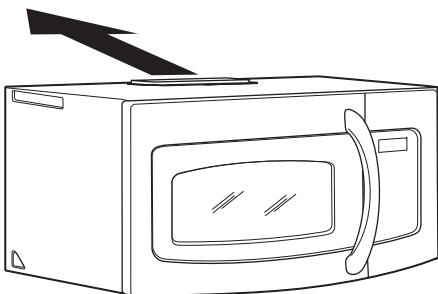
C RECYCLAGE DE L'AIR (ÉVACUATION SANS CONDUIT)



Voir page 20

Pour une évacuation sans conduit, il faut utiliser un nécessaire de filtre à charbon. (Consultez votre Manuel de l'utilisateur pour connaître le numéro de cet ensemble.)

B ÉVACUATION À L'EXTÉRIEUR PAR L'ARRIÈRE (CONDUIT HORIZONTAL)



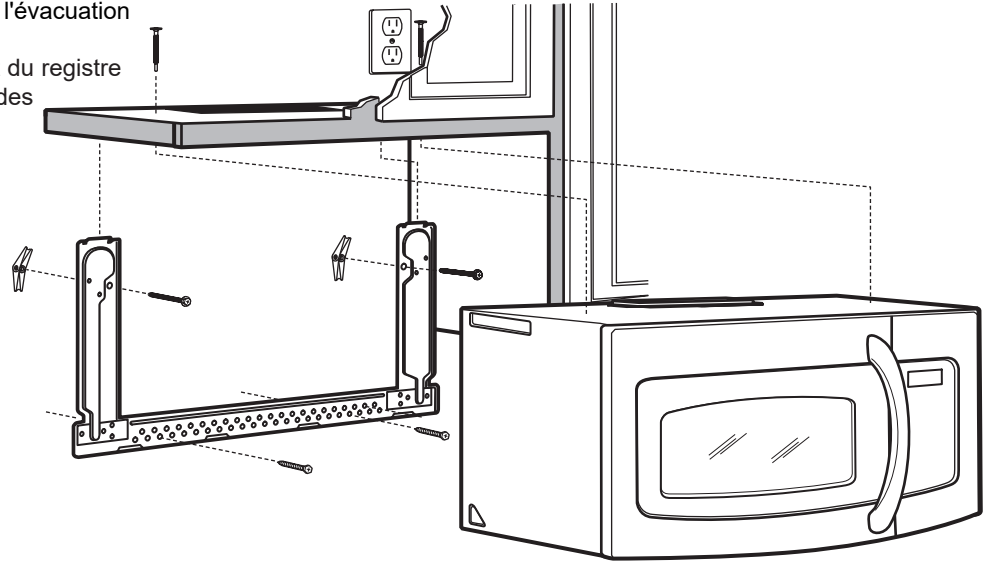
Voir page 16

Instructions d'installation

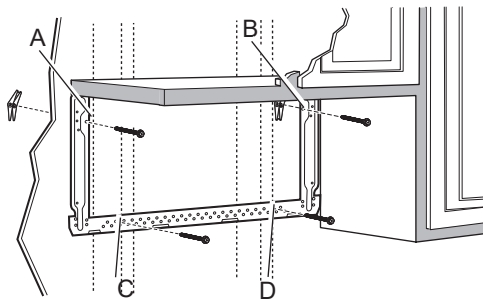
A ÉVACUATION À L'EXTÉRIEUR PAR LE DESSUS (Conduit vertical)

VUE D'ENSEMBLE DE L'INSTALLATION

- A1. Fixation de la plaque de montage au mur
- A2. Préparation de l'armoire supérieure
- A3. Vérification de l'orientation du moteur du ventilateur
- A4. Adaptation du ventilateur pour l'évacuation à l'extérieur
- A5. Vérification du fonctionnement du registre
- A6. Installation du four à micro-ondes
- A7. Ajustement de l'adaptateur d'évacuation
- A8. Connexion au conduit



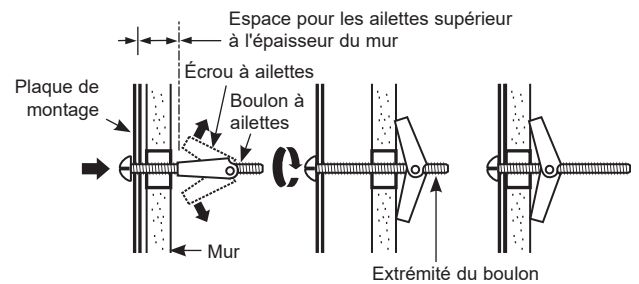
A1 FIXATION DE LA PLAQUE DE MONTAGE AU MUR



Fixez la plaque au mur à l'aide des boulons à ailettes. Vous devez utiliser au moins une vis à bois pour fixer la plaque à un montant. Les emplacements conseillés sur la plaque de montage sont indiqués par A, B, C et D.

- 1 Enlevez les écrous à ailettes des boulons.
- 2 Insérez les boulons dans la plaque de montage à travers les trous dans le gypse et réassemblez les écrous à ailettes, à $\frac{3}{4}$ po sur chaque boulon.

Pour utiliser les boulons à ailettes :



- 3 Placez la plaque de montage contre le mur et insérez les écrous à ailettes dans les trous du mur pour fixer la plaque.

REMARQUE : Avant de resserrer les boulons à ailettes et la vis à bois, assurez-vous que la plaque est bien centrée sous l'armoire et que les languettes de la plaque de montage touchent le dessous de l'armoire lorsque vous poussez la plaque contre le mur.

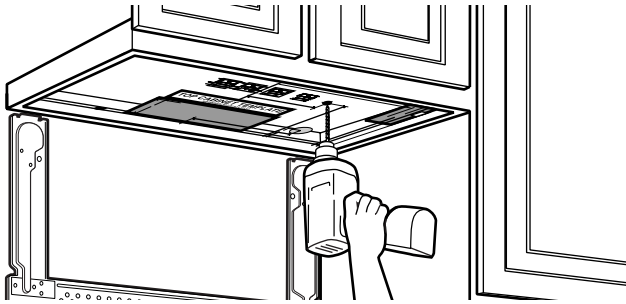
ATTENTION Faites attention de ne pas vous pincer les doigts entre l'arrière de la plaque de montage et le mur.

- 4 Serrez tous les boulons. Tirez sur la plaque pour faciliter le serrage des boulons.

Instructions d'installation

A2. UTILISATION DU GABARIT POUR L'ARMOIRE SUPÉRIEURE, POUR LA PRÉPARATION DE L'ARMOIRE SUPÉRIEURE

Vous devez percer des trous pour les vis de soutien supérieures, ainsi qu'un trou suffisamment grand pour y faire passer le cordon d'alimentation et une ouverture assez grande pour l'adaptateur d'évacuation.



- Lisez les instructions figurant sur le GABARIT POUR L'ARMOIRE SUPÉRIEURE.
- Collez-le sous l'armoire supérieure à l'aide de ruban adhésif.
- Percez les trous, en suivant les instructions du GABARIT POUR L'ARMOIRE SUPÉRIEURE.

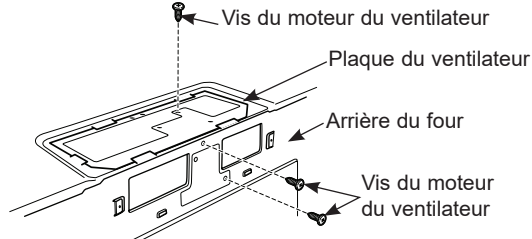
REMARQUE : Portez des lunettes de sécurité lorsque vous percez des trous dans le fond de l'armoire.

A3. VÉRIFICATION DE L'ORIENTATION DU MOTEUR DU VENTILATEUR

L'ouverture des pales du ventilateur doit se trouver au-dessus de la surface supérieure du four à micro-ondes. Si l'ouverture du ventilateur fait déjà face au dessus du four à micro-ondes, passez à l'étape A5. Sinon, passez à l'étape A4 pour ajuster l'orientation du moteur.

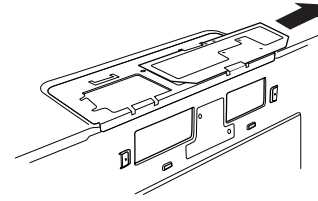
A4. ADAPTATION DU VENTILATEUR POUR L'ÉVACUATION À L'EXTÉRIEUR

- 1** Enlevez et conservez les vis qui retiennent le moteur du ventilateur au four à micro-ondes.

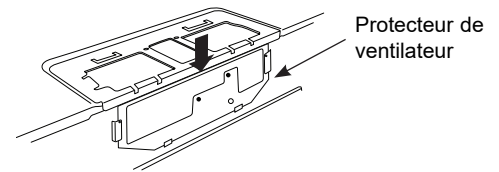


- 2** Retirez et conservez le protecteur de ventilateur métallique sur le haut du four à micro-ondes en le faisant glisser vers la droite.

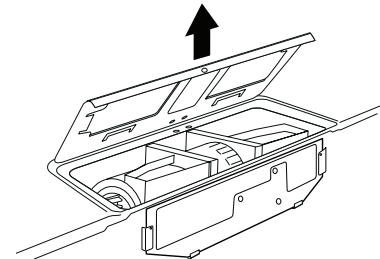
A4. ADAPTATION DU VENTILATEUR POUR L'ÉVACUATION À L'EXTÉRIEUR (suite)



- 3** Fixez le protecteur de ventilateur métallique à l'arrière du four à micro-ondes en le faisant glisser vers le bas.

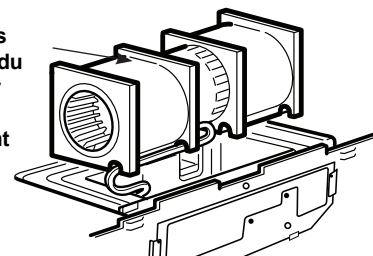


- 4** Ouvrez la porte du ventilateur en la soulevant à l'arrière du four à micro-ondes.

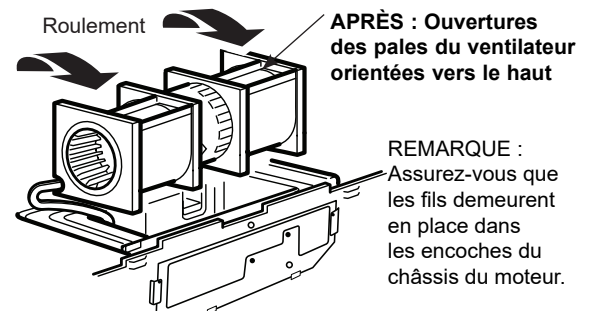


- 5** Enlevez délicatement l'ensemble du ventilateur. Les fils seront assez longs pour vous permettre d'ajuster la position du ventilateur.

AVANT :
Ouvertures des pales du ventilateur orientées vers l'avant



- 6** Tournez le moteur de 90° afin que les ouvertures des pales du ventilateur fassent face vers le haut.

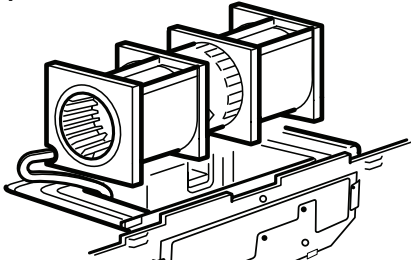


Instructions d'installation

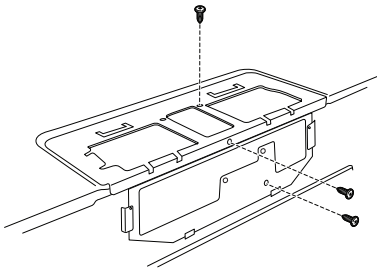
A4. ADAPTATION DU VENTILATEUR POUR L'ÉVACUATION À L'EXTÉRIEUR (suite)

7 Remplacez l'ensemble du ventilateur dans l'ouverture.

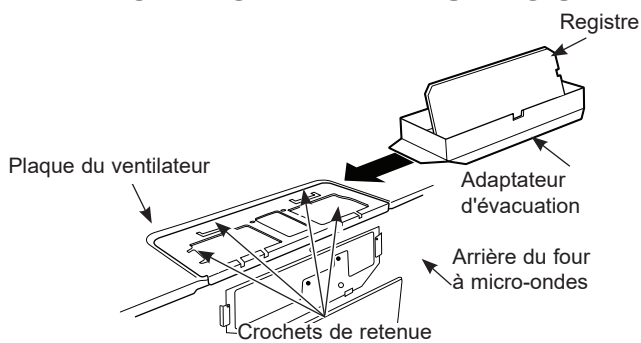
ATTENTION Ne tirez pas sur les fils de l'ensemble du ventilateur et ne les étirez pas. Assurez-vous que les fils ne sont pas coincés.



8 Fermez la porte du ventilateur. Fixez le ventilateur au four à micro-ondes en utilisant les vis de l'étape 1.

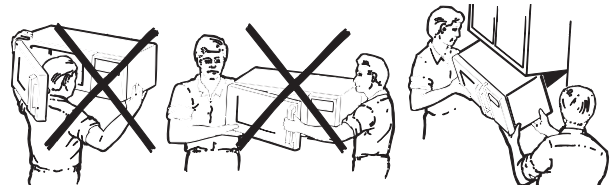


A5. VÉRIFICATION DU FONCTIONNEMENT DU REGISTRE



- Placez le four à micro-ondes en position debout, le dessus de l'appareil orienté vers le haut.
- Assurez-vous que le ruban adhésif qui retient le registre a été enlevé et que le registre bouge librement avant d'installer le four à micro-ondes.**
- Faites glisser le registre en position. Assurez-vous que le registre s'insère fermement dans les crochets de retenue.
- Vous devrez effectuer les ajustements nécessaires pour vous assurer que le conduit du four est bien aligné sur le conduit d'évacuation du domicile après l'installation du four.

A6. INSTALLATION DU FOUR À MICRO-ONDES



ATTENTION POUR VOTRE SÉCURITÉ ET POUR FACILITER L'INSTALLATION, NOUS RECOMMANDONS QUE L'INSTALLATION DE CE FOUR À MICRO-ONDES SOIT EFFECTUÉE PAR DEUX PERSONNES.

IMPORTANT : Ne saisissez pas ou n'utilisez pas la poignée du four durant l'installation.

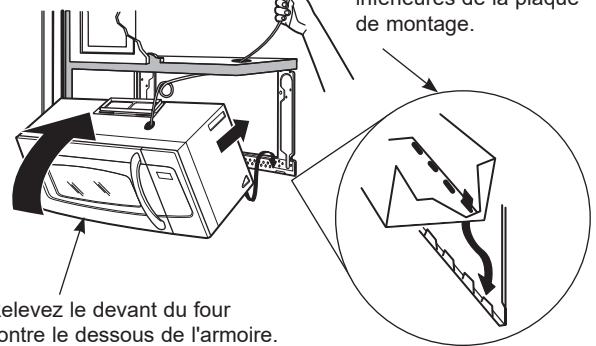
REMARQUE : Si vos armoires sont en métal, installez un passe-fil en nylon autour de l'orifice du cordon d'alimentation pour empêcher que le cordon soit coupé.

REMARQUE : Si le four est installé sous une armoire munie d'un rebord avant, nous vous recommandons d'utiliser des entretoises.

IMPORTANT : Si vous n'utilisez pas d'entretoises, des dommages peuvent être causés au boîtier au moment de resserrer les vis.

REMARQUE : Lors de l'installation du four à micro-ondes, faites passer le cordon d'alimentation à travers le trou situé dans le fond de l'armoire supérieure. Gardez-le bien serré durant les étapes 1 à 3. Ne coinciez pas le cordon ou ne soulevez pas le four en tirant sur le cordon.

1 Soulevez le micro-ondes, penchez-le vers l'avant, et accrochez les fentes situées sur le bord inférieur à l'arrière du four sur les quatre languettes inférieures de la plaque de montage.

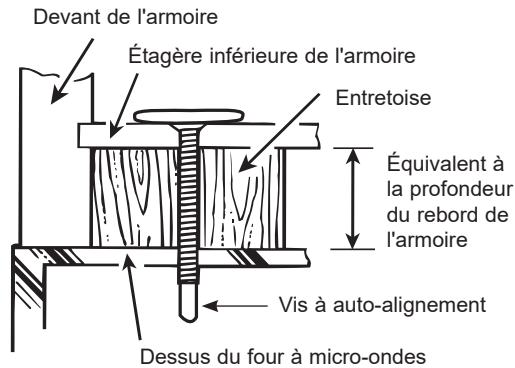


2 Relevez le devant du four contre le dessous de l'armoire.

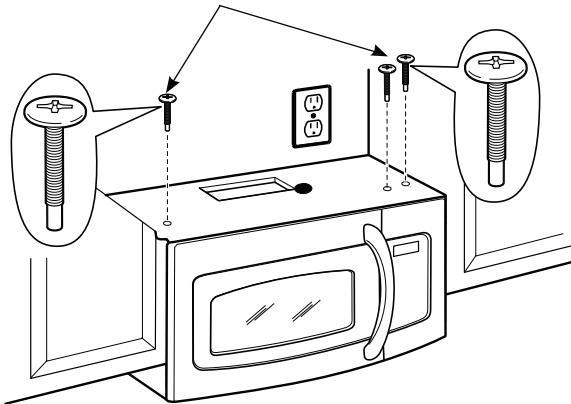
3 Insérez une vis à auto-alignement dans le trou situé au centre de l'armoire supérieure. Fixez temporairement le four en faisant faire au moins **deux tours complets** à la vis après que les filets ont été engagés. (Elle sera complètement resserrée plus tard.) **Assurez-vous que le cordon d'alimentation est bien serré. Faites attention de ne pas le coincer, particulièrement au moment d'installer le four sous l'armoire.**

Instructions d'installation

A6. INSTALLATION DU FOUR À MICRO-ONDES (suite)



- Fixez le four à micro-ondes à l'armoire supérieure.
- Insérez 3 vis à auto-alignement à travers les trous de l'armoire supérieure. Vissez chacune des vis de deux tours complets.

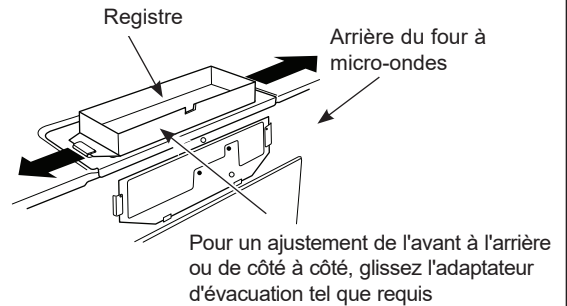


- Serrez les trois vis extérieures sur le dessus du four à micro-ondes. (Tout en serrant les vis, soulevez l'avant du four à micro-ondes et poussez-le contre le mur et l'armoire supérieure.)
- Installez le filtre à graisses. Consultez le Manuel de l'utilisateur sur le site Web (GEAppliances.com).

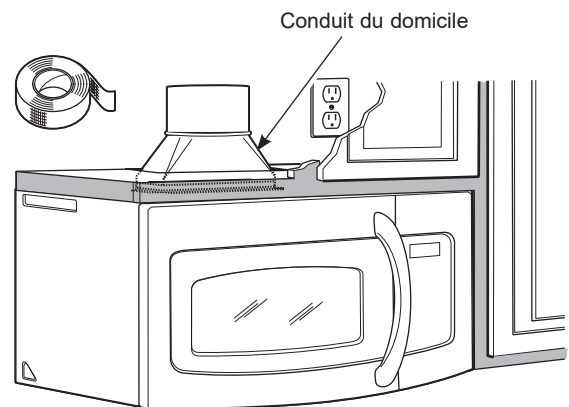


A7. AJUSTEMENT DE L'ADAPTATEUR D'ÉVACUATION

Ouvrez l'armoire supérieure et ajustez l'adaptateur d'évacuation pour le relier au conduit d'évacuation de la résidence.



A8. CONNEXION AU CONDUIT



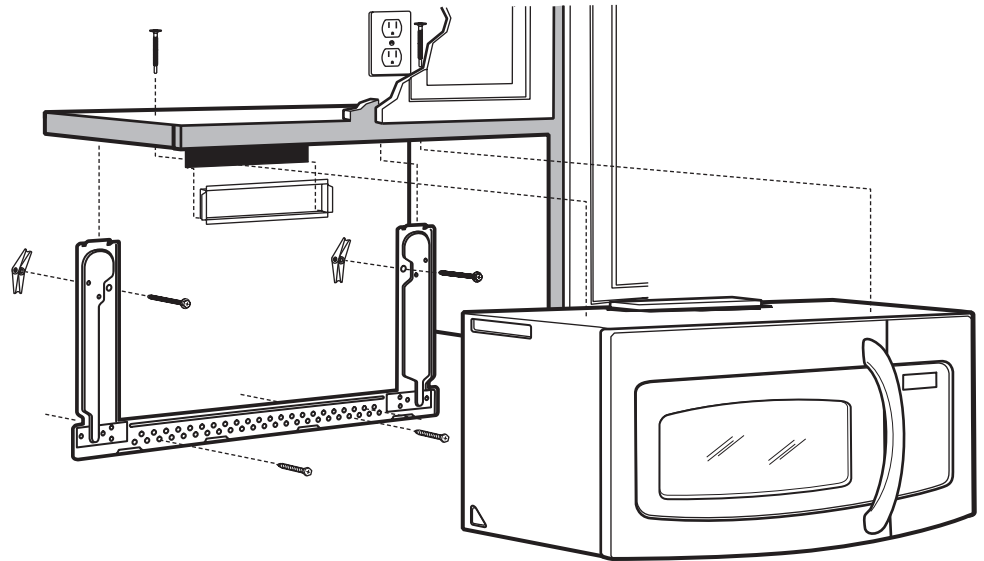
- Tirez sur le conduit du domicile pour le raccorder à l'adaptateur d'évacuation.
- Scellez les joints du conduit à l'aide de ruban adhésif en toile.

Instructions d'installation

B ÉVACUATION À L'EXTÉRIEUR PAR L'ARRIÈRE (Conduit horizontal)

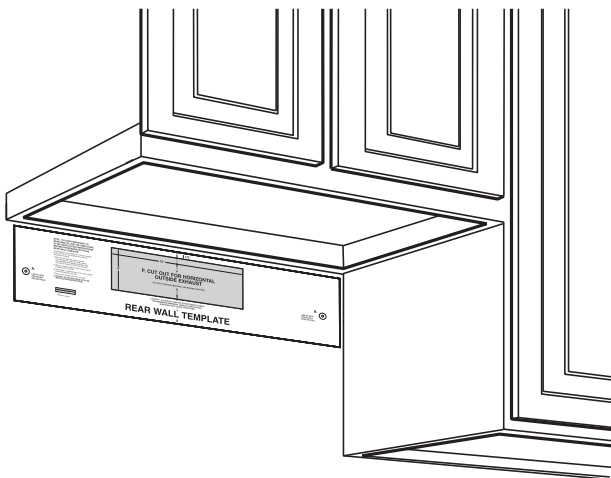
VUE D'ENSEMBLE DE L'INSTALLATION

- B1. Préparation du mur arrière
- B2. Fixation de la plaque de montage au mur
- B3. Préparation de l'armoire supérieure
- B4. Ajustement du ventilateur
- B5. Installation du four à micro-ondes



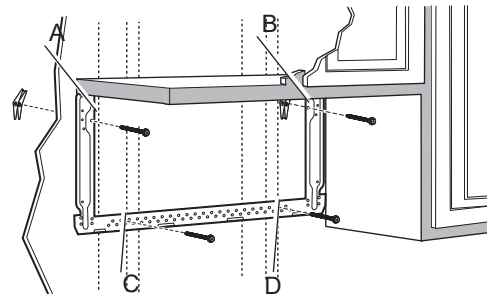
B1. PRÉPARATION DU MUR ARRIÈRE POUR L'ÉVACUATION À L'EXTÉRIEUR PAR L'ARRIÈRE

Vous devez percer une ouverture dans le mur arrière pour l'évacuation à l'extérieur.



- Lisez les instructions figurant sur le GABARIT POUR LE MUR ARRIÈRE.
- Collez-le au mur arrière avec du ruban adhésif, en l'alignant sur les trous préalablement percés pour les trous A et B de la plaque de montage.
- Percez l'ouverture en suivant les instructions sur le GABARIT POUR LE MUR ARRIÈRE.

B2. FIXATION DE LA PLAQUE DE MONTAGE AU MUR



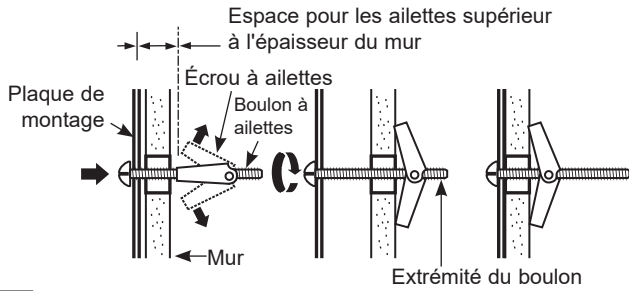
Fixez la plaque au mur à l'aide des boulons à ailettes. Vous devez utiliser au moins une vis à bois pour fixer la plaque à un montant. Les emplacements conseillés sur la plaque de montage sont indiqués par A, B, C et D.

- 1 Enlevez les écrous à ailettes des boulons.
- 2 Insérez les boulons dans la plaque de montage à travers les trous dans le gypse et réassemblez les écrous à ailettes, à $\frac{3}{4}$ po sur chaque boulon.

1 po = 2,5 cm; 1 pi = 0,3 m

Instructions d'installation

Pour utiliser les boulons à ailettes :



- 3 Placez la plaque de montage contre le mur et insérez les écrous à ailettes dans les trous du mur pour fixer la plaque.

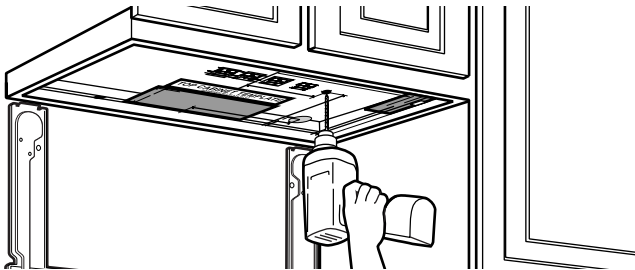
REMARQUE : Avant de resserrer les boulons à ailettes et la vis à bois, assurez-vous que la plaque est bien centrée sous l'armoire et que les languettes de la plaque de montage touchent le dessous de l'armoire lorsque vous poussez la plaque contre le mur.

ATTENTION Faites attention de ne pas vous pincer les doigts entre l'arrière de la plaque de montage et le mur.

- 4 Serrez tous les boulons. Tirez sur la plaque pour faciliter le serrage des boulons.

B3. UTILISATION DU GABARIT POUR L'ARMOIRE SUPÉRIEURE, POUR LA PRÉPARATION DE L'ARMOIRE SUPÉRIEURE

Vous devez percer des trous pour les vis de soutien supérieures, ainsi qu'un trou suffisamment grand pour y faire passer le cordon d'alimentation.

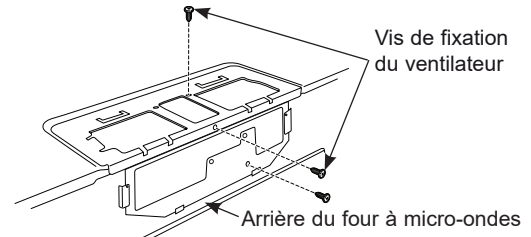


- Lisez les instructions figurant sur le GABARIT POUR L'ARMOIRE SUPÉRIEURE.
- Collez-le sous l'armoire supérieure à l'aide de ruban adhésif.
- Percez les trous, en suivant les instructions du GABARIT POUR L'ARMOIRE SUPÉRIEURE.

ATTENTION Portez des lunettes de sécurité lorsque vous percez des trous dans le fond de l'armoire.

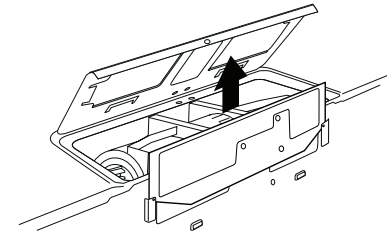
B4. ADAPTATION DU VENTILATEUR DU FOUR À MICRO-ONDES POUR L'ÉVACUATION À L'EXTÉRIEUR PAR L'ARRIÈRE

- 1 Enlevez et conservez les vis qui retiennent le moteur du ventilateur au four à micro-ondes.



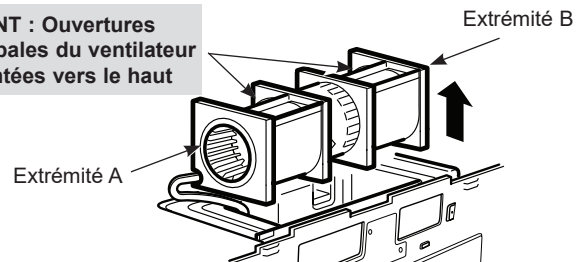
- 2 Ouvrez la porte du ventilateur en la soulevant à l'arrière du four à micro-ondes. Retirez et conservez le protecteur de ventilateur sur l'arrière du four à micro-ondes en le faisant glisser vers le haut.

Retirez et conservez le couvercle métallique de ventilateur sur l'arrière du four à micro-ondes en le faisant glisser vers le haut.

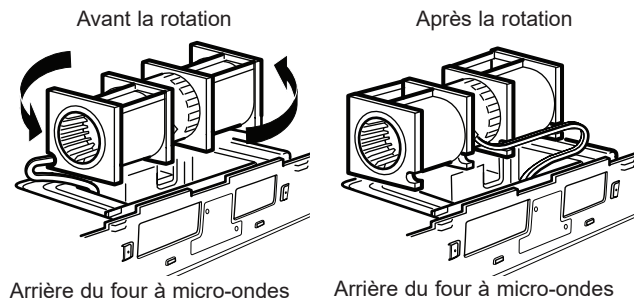


- 3 Enlevez délicatement l'ensemble du ventilateur. Les fils seront assez longs pour vous permettre d'ajuster la position du ventilateur.

AVANT : Ouvertures des pales du ventilateur orientées vers le haut



- 4 Retournez l'ensemble du ventilateur dans le sens contraire des aiguilles d'une montre sur 180°.

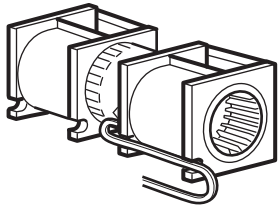


Instructions d'installation

B4. ADAPTATION DU VENTILATEUR DU FOUR À MICRO-ONDES POUR L'ÉVACUATION À L'EXTÉRIEUR PAR L'ARRIÈRE (suite)

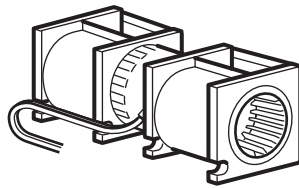
- 5 Enlevez délicatement les fils des encoches. Replacez les fils dans les encoches de l'autre côté de l'ensemble du ventilateur.

Avant la modification



Les fils sont placés dans le côté droit

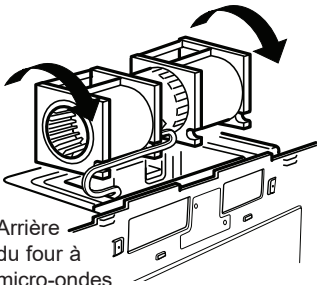
Après la modification



Les fils sont placés dans le côté gauche

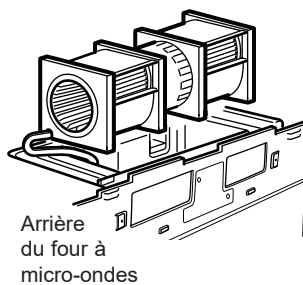
- 6 Tournez le moteur de 90° afin que les ouvertures des pales du ventilateur soient orientées vers l'arrière du four à micro-ondes.

Avant la rotation



Arrière du four à micro-ondes

Après la rotation



Arrière du four à micro-ondes

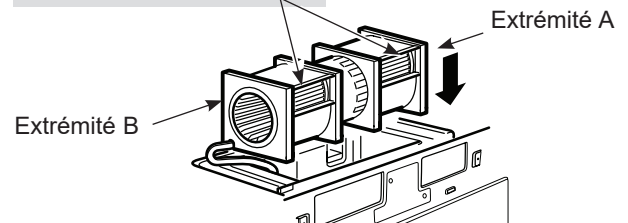
- 7 Repérez les deux plaques sectionnables qui se trouvent sur le haut du panneau arrière du four. À l'aide des cisailles, coupez prudemment les points d'attache des deux trous juxtaposés (qui retiennent les plaques sectionnables). Coupez les quatre points d'attache sur chacune des plaques sectionnables. Cela permettra à l'air provenant du ventilateur d'être évacué par l'arrière du four.

ATTENTION Veillez à éliminer les bords coupants des ouvertures après avoir enlevé les plaques sectionnables.

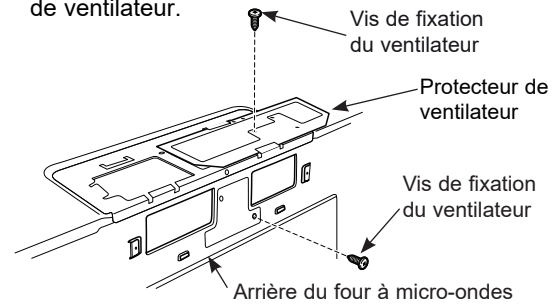
- 8 Remplacez l'ensemble du ventilateur dans l'ouverture. Les ouvertures de l'ensemble du ventilateur doivent correspondre aux ouvertures de ventilation à l'arrière du four à micro-ondes.

ATTENTION Ne tirez pas sur les fils de l'ensemble du ventilateur et ne les étirez pas. Assurez-vous que les fils ne sont pas coincés.

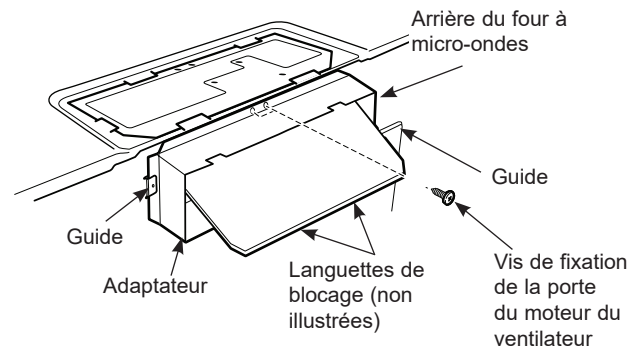
APRÈS : Pales du ventilateur orientées vers l'arrière



- 9 Fermez la porte du ventilateur. Faites glisser le protecteur de ventilateur sur le dessus de l'ouverture de la porte du ventilateur. Fixez le ventilateur au four à micro-ondes en utilisant les vis de fixation de l'étape 1, à l'exception de la vis de fixation du moteur de ventilateur.

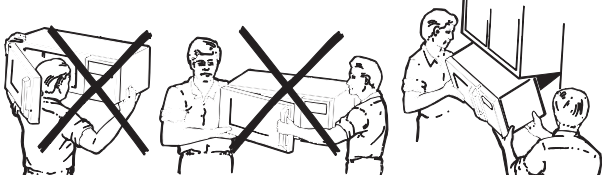


- 10 Faites glisser l'adaptateur d'évacuation dans l'arrière du four à micro-ondes, en le fixant aux languettes de retenue inférieures. Assurez-vous que la charnière du registre est installée sur le dessus et que le registre bouge librement. Réinstallez la vis supérieure du moteur du ventilateur en l'insérant dans l'adaptateur et la porte du ventilateur, et à l'arrière du four à micro-ondes.



Instructions d'installation

B5. INSTALLATION DU FOUR À MICRO-ONDES



ATTENTION POUR VOTRE SÉCURITÉ ET POUR FACILITER L'INSTALLATION, NOUS RECOMMANDONS QUE L'INSTALLATION DE CE FOUR À MICRO-ONDES SOIT EFFECTUÉE PAR DEUX PERSONNES.

IMPORTANT : Ne saisissez pas ou n'utilisez pas la poignée du four durant l'installation.

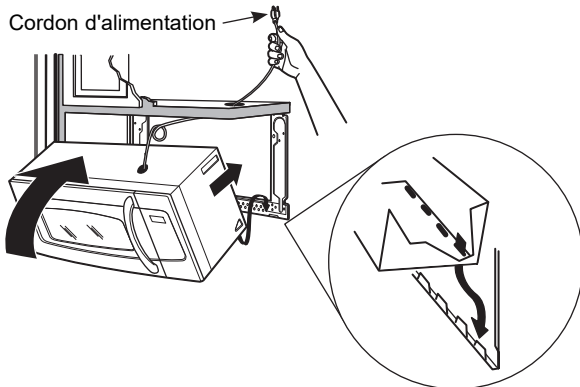
REMARQUE : Si vos armoires sont en métal, installez un passe-fil en nylon autour de l'orifice du cordon d'alimentation pour empêcher que le cordon soit coupé.

REMARQUE : Si le four est installé sous une armoire munie d'un rebord avant, nous vous recommandons d'utiliser des entretoises.

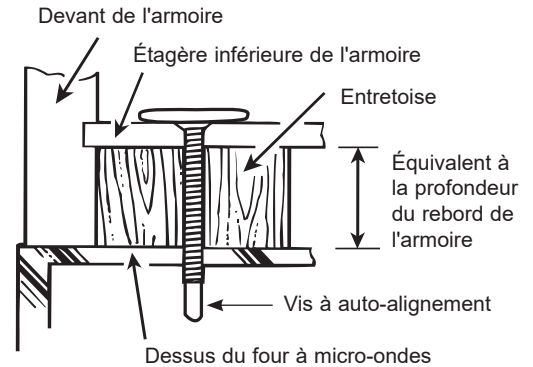
IMPORTANT : Si vous n'utilisez pas d'entretoises, des dommages peuvent être causés au boîtier au moment de resserrer les vis.

- 1 Soulevez le micro-ondes, penchez-le vers l'avant, et accrochez les fentes situées sur le bord inférieur à l'arrière du four sur les quatre languettes inférieures de la plaque de montage.

REMARQUE : Lors de l'installation du four à micro-ondes, faites passer le cordon d'alimentation à travers le trou situé dans le fond de l'armoire supérieure. Gardez-le bien serré durant les étapes 1 à 3. Ne coincez pas le cordon ou ne soulevez pas le four en tirant sur le cordon.

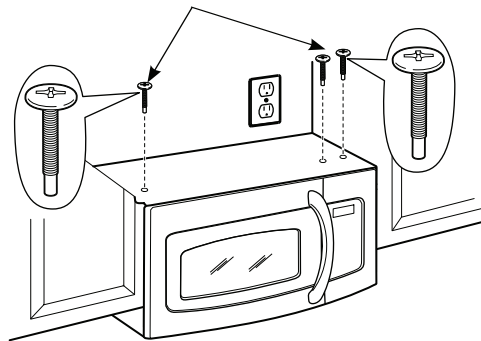


- 2 Relevez le devant du four contre le dessous de l'armoire.
- 3 Insérez une vis à auto-alignement dans le trou situé au centre de l'armoire supérieure. Fixez temporairement le four en faisant faire au moins deux tours complets à la vis après que les filets ont été engagés. (Elle sera complètement resserrée plus tard.) Assurez-vous que le cordon d'alimentation est bien serré. Faites attention de ne pas le coincer, particulièrement au moment d'installer le four sous l'armoire.

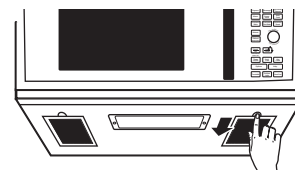


- 4 Fixez le four à micro-ondes à l'armoire supérieure.
- 5 Insérez 3 vis à auto-alignement à travers les trous de l'armoire supérieure. Vissez chacune des vis de deux tours complets.

Vis à auto-alignement



- 6 Serrez les trois vis extérieures sur le dessus du four à micro-ondes. (Tout en serrant les vis, soulevez l'avant du four à micro-ondes et poussez-le contre le mur et l'armoire supérieure.)
- 7 Installez le filtre à graisses. Consultez le Manuel de l'utilisateur emballé avec le four à micro-ondes.

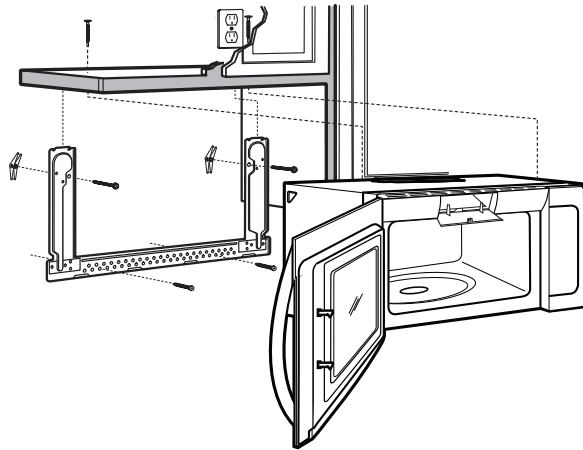


Instructions d'installation

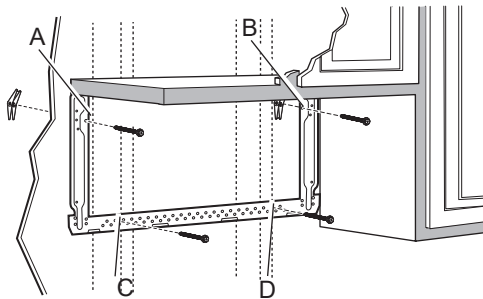
C RECYCLAGE DE L'AIR (Évacuation sans conduit)

VUE D'ENSEMBLE DE L'INSTALLATION

- C1. Fixation de la plaque de montage au mur
- C2. Préparation de l'armoire supérieure
- C3. Vérification de l'orientation du moteur du ventilateur
- C4. Adaptation du ventilateur pour le recyclage de l'air
- C5. Installation du four à micro-ondes
- C6. Installation du filtre à charbon



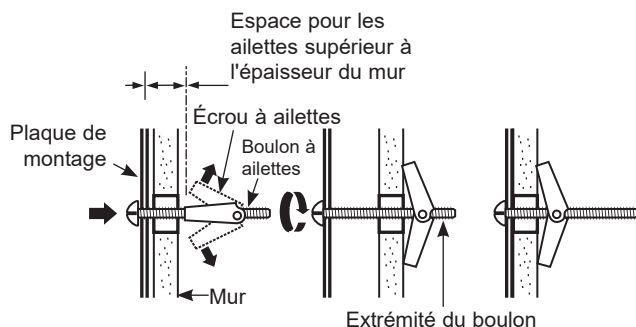
C1 FIXATION DE LA PLAQUE DE MONTAGE AU MUR



Fixez la plaque au mur à l'aide des boulons à ailettes. Vous devez utiliser au moins une vis à bois pour fixer la plaque à un montant. Les emplacements conseillés sur la plaque de montage sont indiqués par A, B, C et D.

- 1 Enlevez les écrous à ailettes des boulons.
- 2 Insérez les boulons dans la plaque de montage à travers les trous dans le gypse et réassemblez les écrous à ailettes, à $\frac{3}{4}$ po sur chaque boulon.

Pour utiliser les boulons à ailettes :



- 3 Placez la plaque de montage contre le mur et insérez les écrous à ailettes dans les trous du mur pour fixer la plaque.

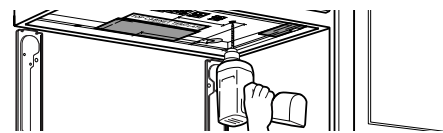
REMARQUE : Avant de resserrer les boulons à ailettes et la vis à bois, assurez-vous que la plaque est bien centrée sous l'armoire et que les languettes de la plaque de montage touchent le dessous de l'armoire lorsque vous poussez la plaque contre le mur.

ATTENTION Faites attention de ne pas vous pincer les doigts entre l'arrière de la plaque de montage et le mur.

- 4 Serrez tous les boulons. Tirez sur la plaque pour faciliter le serrage des boulons.

C2. UTILISATION DU GABARIT POUR L'ARMOIRE SUPÉRIEURE, POUR LA PRÉPARATION DE L'ARMOIRE SUPÉRIEURE

Vous devez percer des trous pour les vis de soutien supérieures, ainsi qu'un trou suffisamment grand pour y faire passer le cordon d'alimentation.



- Lisez les instructions figurant sur le GABARIT POUR L'ARMOIRE SUPÉRIEURE.
- Collez-le sous l'armoire supérieure à l'aide de ruban adhésif.
- Percez les trous, en suivant les instructions du GABARIT POUR L'ARMOIRE SUPÉRIEURE.

ATTENTION Portez des lunettes de sécurité lorsque vous percez des trous dans le fond de l'armoire.

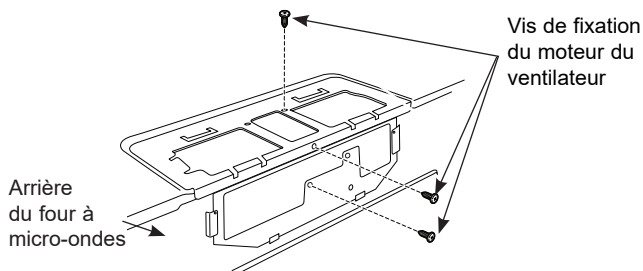
Instructions d'installation

C3. VÉRIFICATION DE L'ORIENTATION DU MOTEUR DU VENTILATEUR

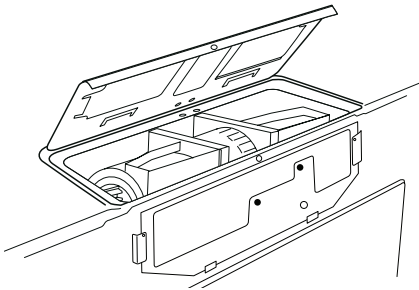
- 1 L'ouverture des pales du ventilateur doit faire face à l'avant du four à micro-ondes. Si l'ouverture du ventilateur fait déjà face à l'avant du four à micro-ondes, passez à l'étape C5. Sinon, passez à l'étape C4 pour ajuster l'orientation du ventilateur.

C4. ADAPTATION DU VENTILATEUR DU FOUR À MICRO-ONDES POUR LE RECYCLAGE DE L'AIR

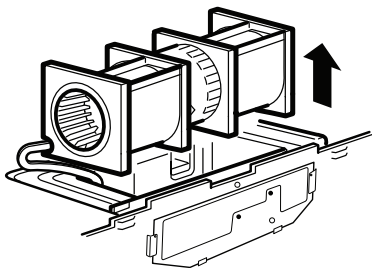
- 1 Enlevez et conservez les vis qui retiennent le moteur du ventilateur au four à micro-ondes.



- 2 Ouvrez la porte du ventilateur en la soulevant à l'arrière du four à micro-ondes.

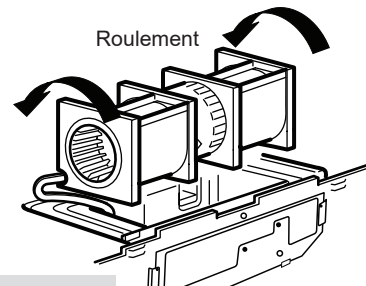
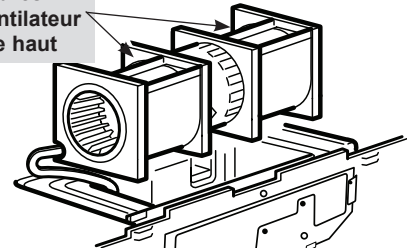


- 3 Enlevez délicatement l'ensemble du ventilateur. Les fils seront assez longs pour vous permettre d'ajuster la position du ventilateur.

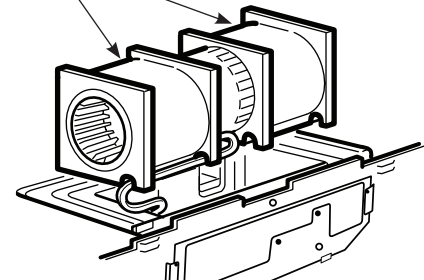


- 4 Tournez le moteur de 90° afin que les ouvertures des pales du ventilateur soient orientées vers l'avant du four à micro-ondes.

AVANT : Ouvertures des pales du ventilateur orientées vers le haut



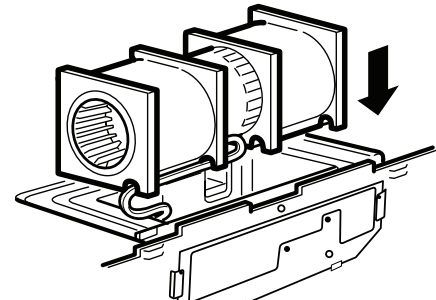
APRÈS : Ouvertures des pales du ventilateur orientées vers l'avant



REMARQUE : Assurez-vous que les fils demeurent en place dans les encoches du châssis du moteur.

- 5 Remplacez l'ensemble du ventilateur dans l'ouverture.

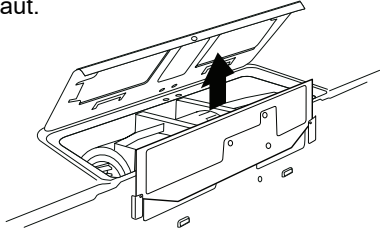
ATTENTION Ne tirez pas sur les fils de l'ensemble du ventilateur et ne les étirez pas. Assurez-vous que les fils ne sont pas coincés.



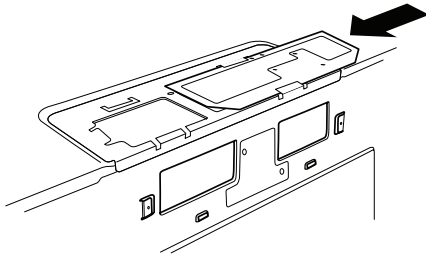
Instructions d'installation

C4. ADAPTATION DU VENTILATEUR DU FOUR À MICRO-ONDES POUR LE RECYCLAGE DE L'AIR (suite)

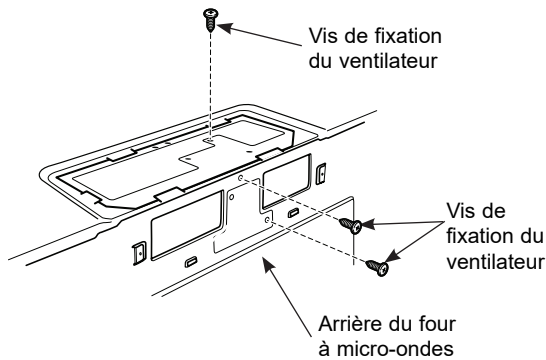
- 6 Retirez le couvercle métallique de ventilateur sur l'arrière du four à micro-ondes en le faisant glisser vers le haut.



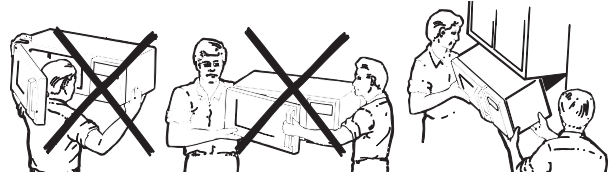
- 7 Fermez la porte du ventilateur. Faites glisser le protecteur de ventilateur sur le dessus de l'ouverture de la porte du ventilateur.



- 8 Fixez le ventilateur au four à micro-ondes en utilisant les vis de fixation de l'étape 1.



C5. INSTALLATION DU FOUR À MICRO-ONDES



ATTENTION POUR VOTRE SÉCURITÉ ET POUR FACILITER L'INSTALLATION, NOUS RECOMMANDONS QUE L'INSTALLATION DE CE FOUR À MICRO-ONDES SOIT EFFECTUÉE PAR DEUX PERSONNES.

IMPORTANT : Ne saisissez pas ou n'utilisez pas la poignée du four durant l'installation.

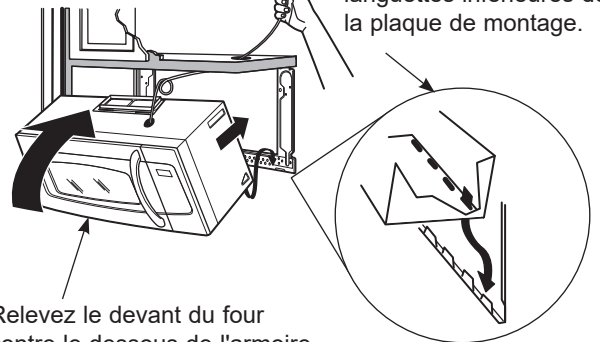
REMARQUE : Si vos armoires sont en métal, installez un passe-fil en nylon autour de l'orifice du cordon d'alimentation pour empêcher que le cordon soit coupé.

REMARQUE : Si le four est installé sous une armoire munie d'un rebord avant, nous vous recommandons d'utiliser des entretoises.

IMPORTANT : Si vous n'utilisez pas d'entretoises, des dommages peuvent être causés au boîtier au moment de resserrer les vis.

REMARQUE : Lors de l'installation du four à micro-ondes, faites passer le cordon d'alimentation à travers le trou situé dans le fond de l'armoire supérieure. Gardez-le bien serré durant les étapes 1 à 3. Ne coincez pas le cordon ou ne soulevez pas le

- 1 Soulevez le micro-ondes, penchez-le vers l'avant, et accrochez les fentes situées sur le bord inférieur à l'arrière du four sur les quatre languettes inférieures de la plaque de montage.

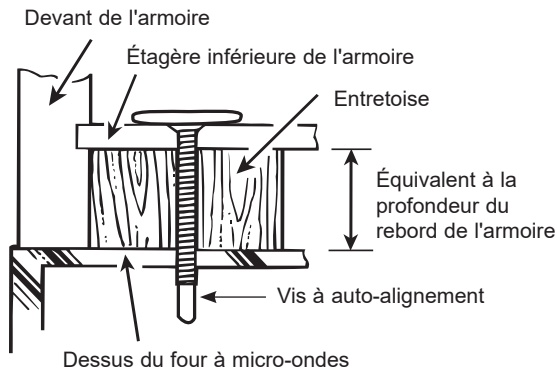


- 2 Relevez le devant du four contre le dessous de l'armoire.

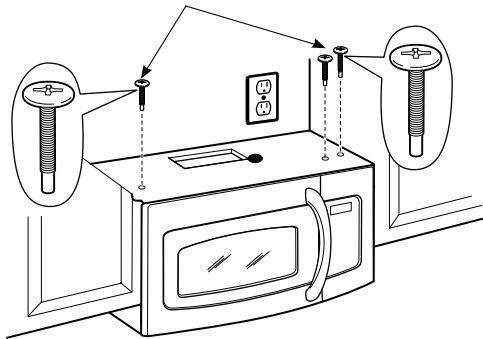
Instructions d'installation

C5. INSTALLATION DU FOUR À MICRO-ONDES (suite)

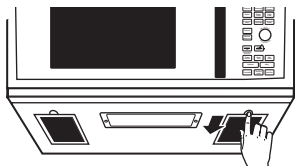
- 3** Insérez une vis à auto-alignement dans le trou situé au centre de l'armoire supérieure. Fixez temporairement le four en faisant faire au moins **deux tours complets** à la vis après que les filets ont été engagés. (Elle sera complètement resserrée plus tard.) **Assurez-vous que le cordon d'alimentation est bien serré. Faites attention de ne pas le coincer, particulièrement au moment d'installer le four sous l'armoire.**



- 4** Fixez le four à micro-ondes à l'armoire supérieure.
- 5** Insérez 3 vis à auto-alignement à travers les trous de l'armoire supérieure. Vissez chacune des vis de deux tours complets.



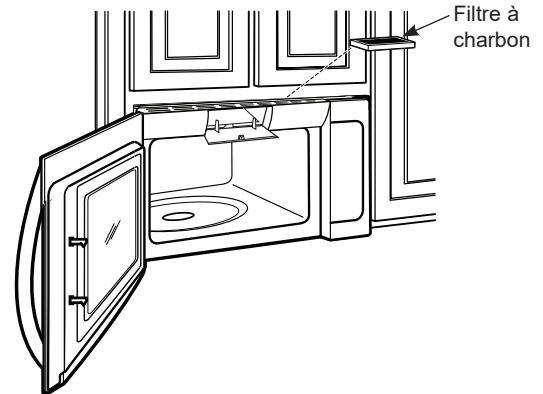
- 6** Serrez les trois vis extérieures sur le dessus du four à micro-ondes. (Tout en serrant les vis, soulevez l'avant du four à micro-ondes et poussez-le contre le mur et l'armoire supérieure.)
- 7** Installez le filtre à graisses. Consultez le Manuel de l'utilisateur emballé avec le four à micro-ondes.



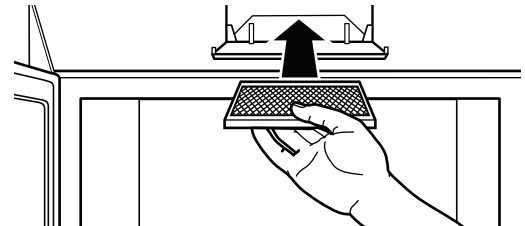
C6. FILTRE À CHARBON

Un filtre à charbon est installé dans toutes les unités. Suivez les étapes ci-dessous pour vérifier le filtre.

- 1** Ouvrez le volet du filtre en enfonçant les deux boutons se trouvant sur le dessus du four à micro-ondes, juste au-dessus du volet du filtre.
- 2** Poussez le filtre vers le bas jusqu'à ce qu'il se dégage des languettes de blocage. Faites glisser le filtre vers le bas et retirez-le.



- 3** Installez le filtre à charbon. Lorsqu'il est bien installé, le treillis métallique du filtre est visible de l'avant.



- 4** Fermez le volet.

Instructions d'installation

AVANT D'UTILISER VOTRE FOUR À MICRO-ONDES

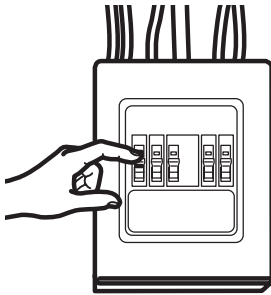
1. Assurez-vous que le four à micro-ondes a été installé conformément aux directives.



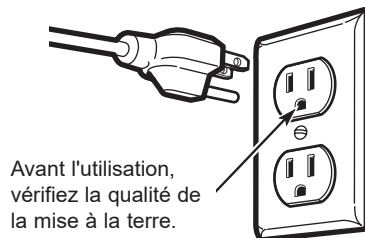
2. Enlevez tout le matériel d'emballage du four à micro-ondes.

3. Installez le plateau tournant et l'élément rotatif dans le micro-ondes.

4. Réinstallez le fusible ou réenclenchez le disjoncteur du panneau de distribution principal.



5. Branchez le cordon d'alimentation sur une prise de courant réservée de 15 à 20 A.



6. Lisez le Manuel de l'utilisateur.



7. CONSERVEZ LES INSTRUCTIONS D'INSTALLATION POUR VOTRE INSPECTEUR LOCAL.

