



DISTINCT BY DESIGN™

## Owner's Manual and Installation Instructions

# Bottom Freezer Refrigerators

Models: CWE19S (Counter Depth Models)  
CFE26K (Standard Depth Models)

### Contents

<b>Safety Information</b> .....	3
<b>Using the Refrigerator</b>	
Features .....	5
Controls .....	6
Dispenser .....	8
Water Filter - XWF .....	9
Shelves and Bins .....	10
Pans .....	11
Freezer Drawer .....	12
Automatic Icemaker .....	13
<b>Care And Cleaning</b> .....	14
Replacing the Lights .....	15

<b>Installation Instructions</b>	
Preparing to Install the Refrigerator .....	16
Appliance Dimensions .....	17
Installing the Refrigerator .....	18
Installing the Water Line .....	28
<b>Troubleshooting Tips</b> .....	31
<b>Limited Warranty</b> .....	35
<b>Consumer Support</b>	
Water Filter Warranty .....	36
Performance Data Sheets .....	37
Consumer Support .....	40

Write the model and serial numbers here:

Model # \_\_\_\_\_

Serial # \_\_\_\_\_

Find these numbers on a label on the left side, near the middle of the refrigerator compartment.

**ENGLISH/FRANÇAIS/ESPAÑOL**

## THANK YOU FOR MAKING CAFÉ A PART OF YOUR HOME.

---

We take pride in the craftsmanship, innovation and design that goes into every Café product, and we think you will too. Among other things, registration of your appliance ensures that we can deliver important product information and warranty details when you need them.

Register your Café appliance now online. Helpful websites are available in the Consumer Support section of this Owner's Manual. You may also mail in the pre-printed registration card included in the packing material.

**C A F É**

---

DISTINCT BY DESIGN™

# IMPORTANT SAFETY INFORMATION

## READ ALL INSTRUCTIONS BEFORE USING THE APPLIANCE

**▲ WARNING** To reduce the risk of fire, explosion, electric shock, or injury when using your refrigerator, follow these basic safety precautions:

- This refrigerator must be properly installed and located in accordance with the Installation Instructions before it is used.
- Unplug the refrigerator before making repairs or cleaning.
 

**NOTE:** Power to the refrigerator cannot be disconnected by any setting on the control panel.

**NOTE:** Repairs must be performed by a qualified Service Professional.
- Replace all parts and panels before operating.
- Do not use an extension cord.
- Do not store or use gasoline or other flammable vapors and liquids in the vicinity of this or any other appliance.
- Do not store explosive substances such as aerosol cans with a flammable propellant in this appliance.
- To prevent suffocation and entrapment hazards to children, remove the fresh food and freezer doors from any refrigerator before disposing of it or discontinuing its use.
- To avoid serious injury or death, children should not stand on, or play in or with the appliance.
- Children and persons with reduced physical, sensory or mental capabilities or lack of experience and knowledge can use this appliance only if they are supervised or have been given instructions on safe use and understand the hazards involved.
- This appliance is intended to be used in household and similar applications such as: staff kitchen areas in shops, offices and other working environments; farm houses; by clients in hotels, motels, bed & breakfast and other residential environments; catering and similar non-retail applications.
- Connect to potable water supply only. A cold water supply is required for automatic icemaker operation. The water pressure must be between 40 and 120 psi (275-827 kilopascals).
- Do not apply harsh cleaners to the refrigerator. Certain cleaners will damage plastic which may cause parts such as the door or door handles to detach unexpectedly. See the Care and Cleaning section for detailed instructions.

**▲ CAUTION** To reduce the risk of injury when using your refrigerator, follow these basic safety precautions.

- Do not clean glass shelves or covers with warm water when they are cold. Glass shelves and covers may break if exposed to sudden temperature changes or impact, such as bumping or dropping. Tempered glass is designed to shatter into many small pieces if it breaks.
- Keep fingers out of the “pinch point” areas; clearances between the doors and between the doors and cabinet are necessarily small. Be careful closing doors when children are in the area.
- Do not touch the cold surfaces in the freezer compartment when hands are damp or wet, skin may stick to these extremely cold surfaces.
- Do not refreeze frozen foods which have thawed completely.
- In refrigerators with automatic icemakers, avoid contact with the moving parts of the ejector mechanism, or with the heating element that releases the cubes. Do not place fingers or hands on the automatic ice making mechanism while the refrigerator is plugged in.
- Use a sturdy glass when dispensing ice (on models with ice dispenser)

## INSTALLATION

**▲ WARNING**  **EXPLOSION HAZARD**

Keep flammable materials and vapors, such as gasoline, away from refrigerator. Failure to do so can result in fire, explosion, or death.

# READ AND SAVE THESE INSTRUCTIONS

# IMPORTANT SAFETY INFORMATION

## READ ALL INSTRUCTIONS BEFORE USING THE APPLIANCE

### CONNECTING ELECTRICITY

#### **⚠ WARNING** **ELECTRICAL SHOCK HAZARD**

Plug into a grounded 3-prong outlet  
 Do not remove the ground prong  
 Do not use an adapter  
 Do not use an extension cord.  
 Failure to follow these instructions can result in death, fire, or electrical shock.

**Do not, under any circumstances, cut or remove the third (ground) prong from the power cord. For personal safety, this appliance must be properly grounded.**

The power cord of this appliance is equipped with a 3-prong (grounding) plug which mates with a standard 3-prong (grounding) wall outlet to minimize the possibility of electric shock hazard from this appliance.

Have the wall outlet and circuit checked by a qualified electrician to make sure the outlet is properly grounded.

Where a standard 2-prong wall outlet is encountered, it is your personal responsibility and obligation to have it replaced with a properly grounded 3-prong wall outlet. Do not use an adapter.

The refrigerator should always be plugged into its own individual electrical outlet which has a voltage rating that matches the rating plate.

A 115 Volt AC, 60 Hz, 15- or 20-amp fused, grounded electrical supply is required. This provides the best performance and also prevents overloading house wiring circuits which could cause a fire hazard from overheated wires.

Never unplug your refrigerator by pulling on the power cord. Always grip plug firmly and pull straight out from the outlet.

Immediately discontinue use of a damaged supply cord. If the supply cord is damaged, it must be replaced by a qualified service professional with an authorized service part from the manufacturer.

When moving the refrigerator away from the wall, be careful not to roll over or damage the power cord.

### PROPER DISPOSAL OF YOUR OLD REFRIGERATOR

#### **⚠ WARNING** **SUFFOCATION AND ENTRAPMENT HAZARD**

Failure to follow these disposal instructions can result in death or serious injury

**IMPORTANT:** Child entrapment and suffocation are not problems of the past. Junked or abandoned refrigerators are still dangerous even if they will sit for “just a few days.” If you are getting rid of your old refrigerator, please follow the instructions below to help prevent accidents.

#### **Before You Throw Away Your Old Appliance**

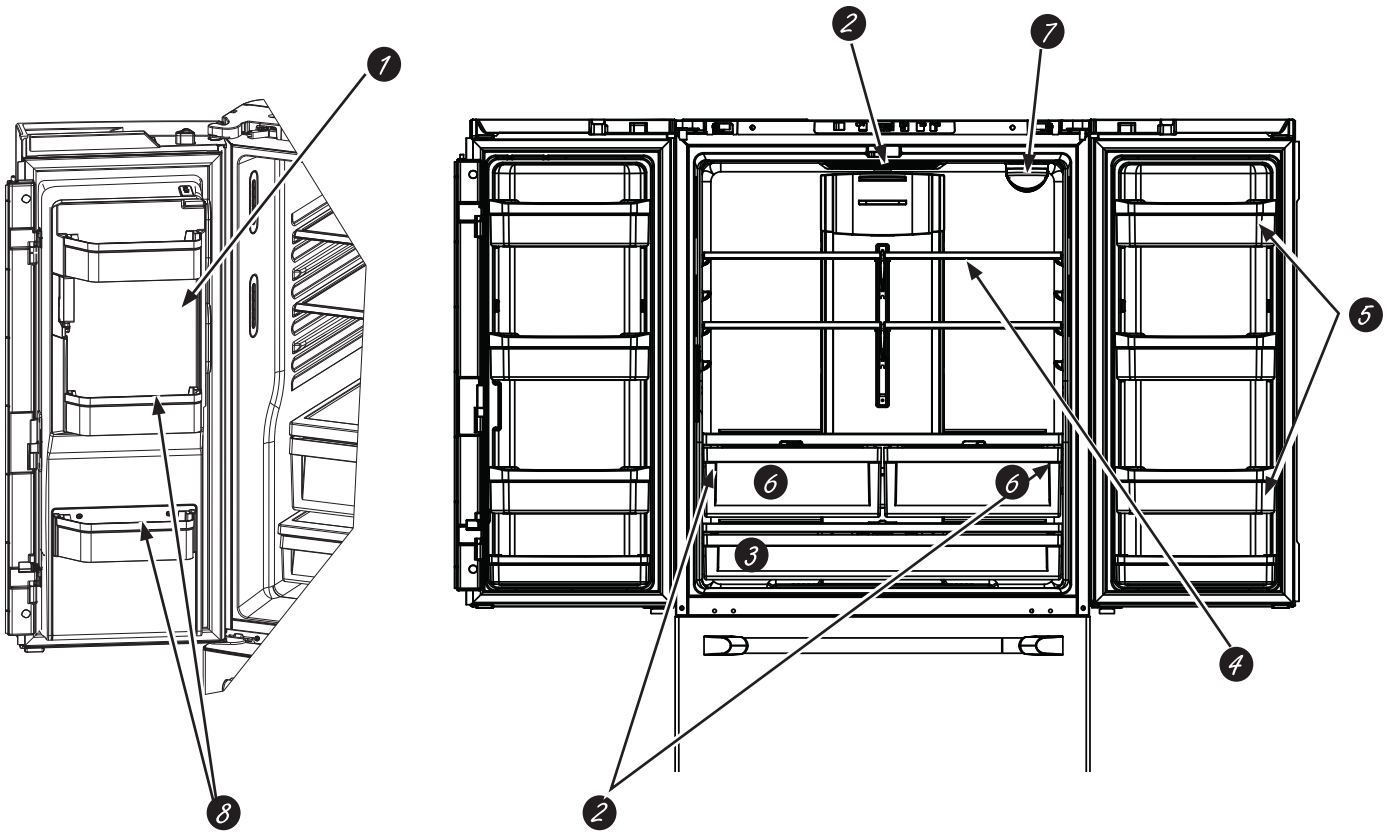
- Take off the fresh food and freezer doors.
- Leave the shelves in place so that children may not easily climb inside.

#### **Refrigerant and Foam Disposal:**

Dispose of appliance in accordance with Federal and Local Regulations. Flammable insulation material used requires special disposal of your appliance. Contact your local authorities for the environmentally safe disposal of your appliance.

## READ AND SAVE THESE INSTRUCTIONS

# Features

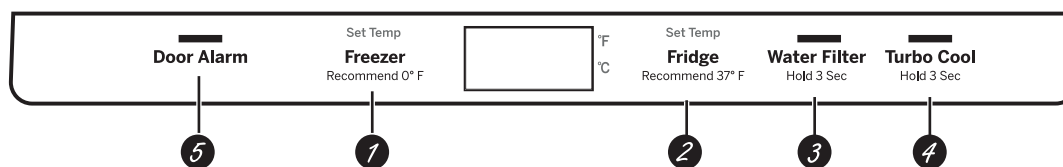


- 1 Space-saving icemaker (on some models)**  
Icemaker and bin are located on the door creating more usable storage space.
- 2 LED lighting**  
LED lights in the fresh food compartment are located at the top center and on the left and right sides of climate zone pans. LED lights are also located in the freezer; see page 15.
- 3 Full-width drawer**  
A full-width drawer that can accommodate larger items is located at the bottom of the fresh food compartment.
- 4 QuickSpace™ shelf (on some models)**  
Functions as a normal full-sized shelf when needed and easily slides back to store tall items below.

- 5 Removable/adjustable door bins**  
Can be moved up or down to accommodate your needs.
- 6 Climate zone drawers**  
Separate pans for produce storage.
- 7 Water filter**  
Accessible for easy replacement.
- 8 Anti-slip Mat**  
Liner that captures spills, keeps containers from shifting when the door is opened and is easily removable for cleaning.

# Controls

## CWE19S Top Control Models



- 1 Freezer Compartment Temperature Control**  
 Adjust freezer compartment temperature. The freezer temperature is preset in the factory at **0°F (-17.8°C)**. Allow 24 hours for temperature to stabilize to the preset recommended setting.
- 2 Fresh Food Compartment Temperature Control**  
 Adjust fresh food compartment temperature. The fresh food temperature is preset in the factory at **37°F (2.8°C)**. Allow 24 hours for temperature to stabilize to the preset recommended setting.
- 3 Water Filter**  
 Press and hold 3 seconds to reset the Water Filter.
- 4 Turbo Cool**  
 To set the **TurboCool™**, press the **Turbo Cool** pad for 3 seconds. The display will show **tc**. **TurboCool™** rapidly cools the refrigerator compartment in order to more quickly cool foods. Use **TurboCool™** when adding a large amount of the food to the refrigerator compartment, putting away foods after they have been sitting out at room temperature, or when putting away warm leftovers. It can also be used if the refrigerator has been without power for an extended period.

**NOTE:** The refrigerator temperature cannot be changed during **TurboCool™**. The freezer temperature is not affected during **Turbo Cool**. When opening the refrigerator door during **TurboCool™**, the fans will continue to run if they have cycled on.

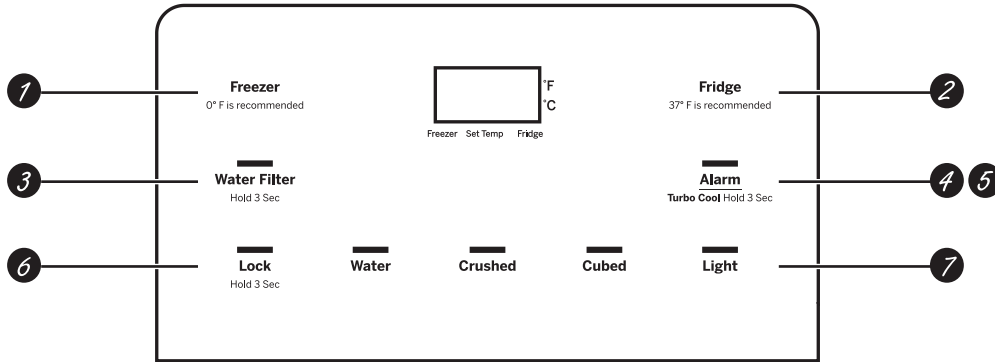
- 5 Door Alarm**  
 To set the alarm, press the **Door Alarm** pad. This alarm will sound if either door is open for more than 2 minutes. The beeping stops when you close the door.

**NOTE:** To put the refrigerator control in the **OFF** position, simultaneously touch the words **Freezer** and **Fridge** for 3 seconds. Power to the refrigerator cannot be disconnected by any setting on the control panel.

**Changing °F to °C or °C to °F:** Press and hold the "DOOR ALARM" and "FREEZER" buttons simultaneously for 5 seconds to set °C to °F or °F to °C.

**NOTE:** The refrigerator is shipped with protective film covering the temperature controls. If this film was not removed during installation, remove it now.

## CFE26K External Control Model



- 1 Freezer Compartment Temperature Control**  
Adjust freezer compartment temperature. The freezer temperature is preset in the factory at **0°F (-17.8°C)**. Allow 24 hours for temperature to stabilize to the preset recommended setting.
- 2 Fresh Food Compartment Temperature Control**  
Adjust fresh food compartment temperature. The fresh food temperature is preset in the factory at **37°F (2.8°C)**. Allow 24 hours for temperature to stabilize to the preset recommended setting.
- 3 Water Filter**  
Press and hold 3 seconds to reset the Water Filter.
- 4 Turbo Cool**  
To set the **Turbo Cool™**, press the **Alarm** pad for 3 seconds. The display will show **tc**. **Turbo Cool™** rapidly cools the refrigerator compartment in order to more quickly cool foods. Use **Turbo Cool™** when adding a large amount of the food to the refrigerator compartment, putting away foods after they have been sitting out at room temperature, or when putting away warm leftovers. It can also be used if the refrigerator has been without power for an extended period.

- NOTE:** The refrigerator temperature cannot be changed during **Turbo Cool™**. The freezer temperature is not affected during **Turbo Cool**. When opening the refrigerator door during **Turbo Cool™**, the fans will continue to run if they have cycled on.
- 5 Alarm**  
Press the **Alarm** pad to toggle the door alarm between off and on. The alarm will sound if either door is left open for more than 2 minutes. The beeping stops when you close the door.
  - 6 Lock**  
Press and hold the **Lock** pad for 3 seconds to lock out ice and water dispenser and all other controls. Press and hold to unlock the controls.
  - 7 LED dispenser Light**  
Press the **Light** pad to turn your dispenser light on and off.
- NOTE:** To put the refrigerator control in the **OFF** position, simultaneously touch the words **Freezer** and **Fridge** for 3 seconds. Power to the refrigerator cannot be disconnected by any setting on the control panel.

**Changing °F to °C or °C to °F:** Press and hold the "FREEZER" and "ALARM" buttons simultaneously for 5 seconds to set °C to °F or °F to °C.

**NOTE:** The refrigerator is shipped with protective film covering the temperature controls. If this film was not removed during installation, remove it now.

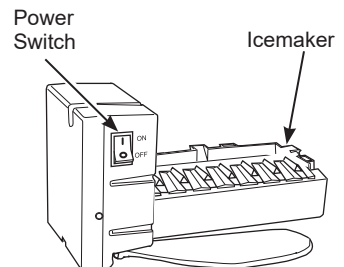
## Sabbath Modes (on some models)

### Models CWE19S controls

- Press and hold the "DOOR ALARM" and "WATER FILTER" buttons simultaneously for 5 seconds to enter/exit Sabbath Mode.
- The icemaker must be turned off manually during Sabbath Mode. Set the Power Switch to OFF. To turn the icemaker back on, set the Power Switch to ON.

### Model CFE26K controls

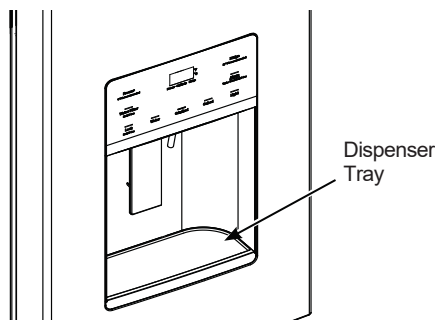
- Press and hold the "LOCK" and "LIGHT" buttons simultaneously for 5 seconds to enter/exit Sabbath Mode.
- The icemaker must be turned off manually during Sabbath Mode. Set the Power Switch to OFF. To turn the icemaker back on, set the Power Switch to ON.



## Dispenser (on some models)

### Water & Ice Dispenser

(See Controls)



Press the glass gently against the dispenser cradle. The spill shelf is not self-draining. To reduce water spotting, the shelf should be cleaned regularly.

If no water is dispensed when the refrigerator is first installed, there may be air in the water line system. Press the dispenser paddle for at least five minutes to remove trapped air from the water line and to fill the water system. To flush out impurities in the water line, throw away the first six full glasses of water.

#### **CAUTION** Laceration Hazard

- Never put fingers or any other object into ice crusher discharge opening. Doing so can result in contacting the ice crushing blades and lead to serious injury or amputation
- Use a sturdy glass when dispensing ice. A delicate glass may break and result in personal injury.

#### To remove Dispenser Tray

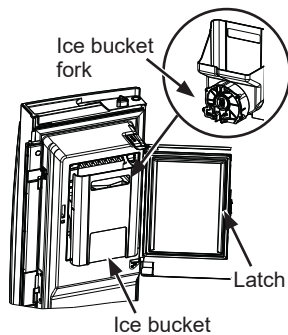
- Pull Dispenser Tray out.

#### To reinstall Dispenser Tray

- Push in until it is firmly in place.

### Door Ice Bin

1. Open left fresh food door.
2. Pull down latch to release bin door.
3. Using handhold, lift ice bucket up and out to clear locators in bottom of bin.
4. To replace the ice bucket, set it on the guide brackets and push until the ice bucket seats properly.
5. If bucket cannot be replaced, rotate the Ice Bucket Fork 1/4 turn clockwise.



### Internal Water Dispenser

(on some models)

The water dispenser is located on the left wall inside the refrigerator compartment.

#### To dispense water:

1. Hold the glass against the recess.
2. Push the water dispenser button.
3. Hold the glass underneath the dispenser for 2–3 seconds after releasing the dispenser button. Water may continue to dispense after the button is released.



If no water is dispensed when the refrigerator is first installed, there may be air in the water line system. Press the dispenser button for at least 5 minutes to remove trapped air from the water line and to fill the water system. During this process, the dispenser noise may be loud as the air is purged from the water line system. To flush out impurities in the water line, throw away the first 6 glassfuls of water.

**NOTE:** To avoid water deposits, the dispenser should be cleaned periodically by wiping with a clean cloth or sponge.

### Important Facts About Your Dispensers

- Do not add ice from trays or bags to the door icemaker bucket. It may not crush or dispense.
- Avoid overfilling glass with ice and use of narrow glasses. Backed-up ice can jam the chute or cause the door in the chute to freeze shut. If ice is blocking the chute remove the ice bucket, poke it through with a wooden spoon.
- Beverages and foods should not be quick-chilled in the door icemaker bin. Cans, bottles or food packages in the storage drawer may cause the icemaker or auger to jam.
- To keep dispensed ice from missing the glass, put the glass close to, but not touching, the dispenser opening.
- Some crushed ice may be dispensed even though you selected **CUBED ICE**. This happens occasionally when a few cubes accidentally get directed to the crusher.
- After crushed ice is dispensed, some water may drip from the chute.
- Sometimes a small mound of frost will form on the door in the ice chute. This condition is normal and usually occurs when you have dispensed crushed ice repeatedly.



# Water Filter Cartridge - XWF (on some models)

## Water Filter Cartridge

The water filter cartridge holder is located in the back upper-right corner of the fresh food refrigerator compartment.

## When to Replace the Filter

If there is a replacement indicator light for the water filter cartridge on the dispenser, the red filter light will start blinking to tell you that you need to replace the filter soon.

- For external control models, the filter light will blink while you are dispensing until the filter is replaced.
- For top control models, the filter light will blink while the door is open until the filter is replaced.

For models that don't have the indicator light, the filter cartridge should be replaced every six months, or earlier if the flow of water to the dispenser or icemaker decreases.

## Removing the Filter

If you are replacing the filter, first remove the previous one:

1. Open the filter cartridge housing by squeezing the 2 front tabs and gently pulling down.
2. Rotate the filter down.
3. Gently grasp the filter and slowly turn it counterclockwise about a ¼ turn. The filter should automatically release itself when you have rotated it far enough to the left. A small amount of water may drip down.

### ⚠ CAUTION

If air has been trapped in the system, the filter cartridge may be ejected as it is removed. Use caution when removing.

## Filter Bypass Plug

To reduce the risk of property damage due to water leakage, you **MUST** use the filter bypass plug when a replacement filter cartridge is not available. Some models do not come equipped with the filter bypass plug. To obtain a free bypass plug, visit us on-line at [cafeappliances.com/service](http://cafeappliances.com/service). In Canada, visit [cafeappliances.ca/service](http://cafeappliances.ca/service). The dispenser and icemaker will not operate without either the filter or the bypass plug installed. The bypass plug is installed in the same way as a filter cartridge.

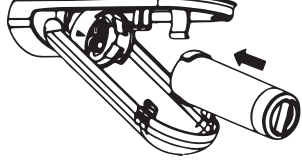
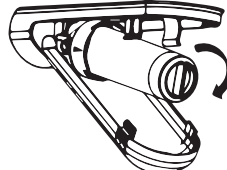
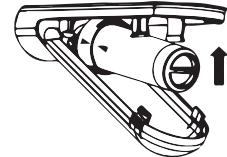
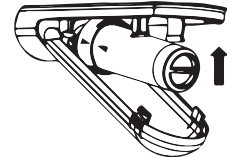
### ⚠ WARNING

To reduce the risk associated with choking, do not allow children under 3 years of age to have access to small parts during the installation of this product. The disposable filter cartridge should be replaced every 6 months at the rated capacity, or sooner if a noticeable reduction in flow rate occurs.

For the maximum benefit of your filtration system, GE Appliances, a Haier company, recommends the use of GE Appliances-branded filters only. Using GE Appliances-branded filters in Café refrigerators provides optimal performance and reliability. Our filters meet rigorous industry NSF standards for safety and quality that are important for products that are filtering your water. There is no assurance that brands other than GE Appliances filters meet our standards for quality, performance and reliability.

If you have questions, or to order additional filter cartridges, visit [gewaterfilters.com](http://gewaterfilters.com). In Canada, visit [cafeappliances.ca/service](http://cafeappliances.ca/service) or consult the yellow pages for the nearest Camco Service Center.

## Installing the Filter in a Bottom Freezer Refrigerator

1. Open the filter cartridge housing by squeezing the 2 front tabs and gently pulling down. 
2. Line up the ports on the filter with the ports on the filter cartridge holder, and gently insert the filter. 
3. Slowly turn the filter to the right until it stops. DO NOT OVERTIGHTEN. As you turn the filter, it will automatically adjust itself into position. The filter will move about a ¼ turn or 90 degrees, until the arrow on the filter aligns with the arrow on the filter cartridge holder. 
4. Slowly push the filter up into the clips.
5. Close the filter cartridge housing by gently pushing the lid upwards until the tabs lock into place. 
6. Run water from the dispenser for 2 gallons (7.6 liters) or approximately 5 minutes to clear the system. Water may spurt out and air bubbles may be visible during this process. If water is not flowing, check to make sure the filter has been fully rotated to the right.
7. Press and hold the WATER FILTER pad (only on select models) on the dispenser for three seconds.

## Application Guidelines/Water Supply

Service Flow	0.5 gpm (1.89 lpm)
Water Supply	Potable Water
Water Pressure	25-120 psi (172-827 kPa)
Water Temperature	33°F-100°F (0.6°C-38°C)
Capacity	170 gallons (643.5 liters)

Sign-up for TEXT REMINDERS by texting REPLACE to 70543.

# Shelves and Bins

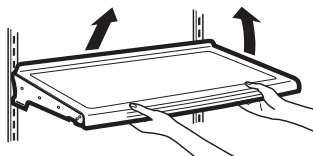
Not all features are on all models.

## Rearranging the Refrigerator Shelves

Shelves in the refrigerator compartment are adjustable.

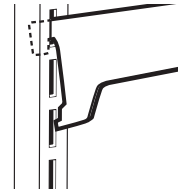
### To remove the shelves:

1. Remove all items from the shelf.
2. Tilt the shelf up at the front.
3. Lift the shelf up at the back and bring the shelf out.



### To replace the shelves:

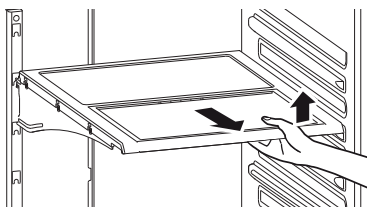
1. While tilting the shelf up, insert the top hook at the back of the shelf in a slot on the track.
2. Lower the front of the shelf until the bottom of the shelf locks into place.



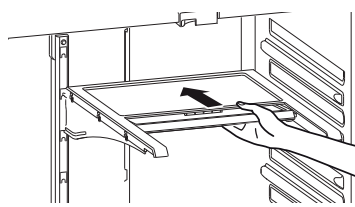
## Quick Space Shelf (on some models)

This shelf splits in half and slides under itself for storage of tall items on the shelf below.

This shelf can be removed and replaced or relocated.



**NOTE:** The back half of the Quick Space Shelf is not adjustable.

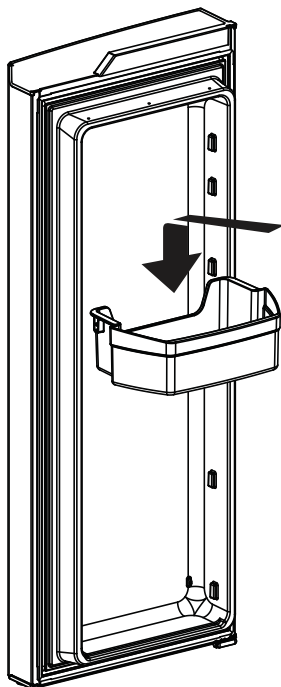


## Adjustable Door Bins (on some models)

**To remove:** Lift the bin straight up; then pull out.

**To replace:** Engage the bin in the molded supports on the door and push down to lock in place.

The door bins have bin mats that captures spills, keep containers from shifting when the door is opened, and are easily removable for cleaning.



# Pans

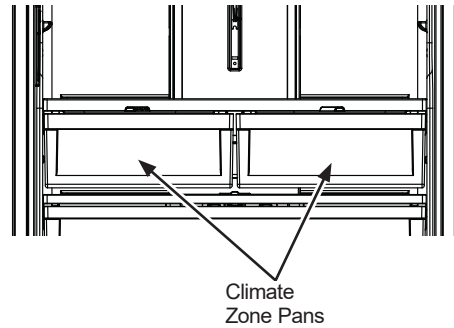
Not all features are on all models.

## Climate Zone Pans

Keep fruits and vegetables organized in separate compartments for easy access. Excess water that may accumulate in the bottom of the drawers or under the drawers should be wiped dry.

### To remove pan:

Slide the pan out to the stop position, lift the pan up and past the stop position and pull forward.



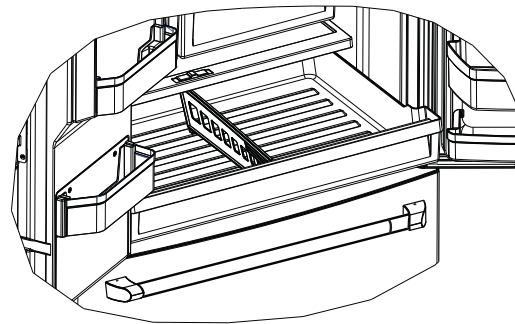
## Full -Width Pan (on some models)

### To remove pan:

1. Pull the pan out to the stop position.
2. Lift the front of the drawer up and out.

### To replace pan:

1. Place back of the drawer in first and rotate drawer front down to seat it on the slides.
2. Push the drawer in to the closed position.



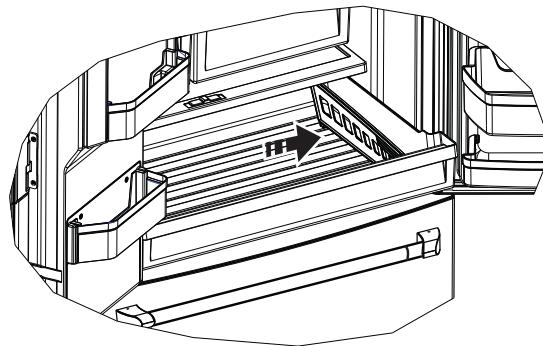
## How to Remove and Replace Drawer Divider

### To remove:

1. Pull the drawer out to the stop position.
2. Slide pan divider to right to release it from pan.

### To replace:

Reverse steps 1 and 2 to replace drawer divider.



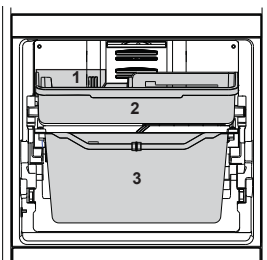
## Freezer Drawer (on some models)

Not all features are on all models.

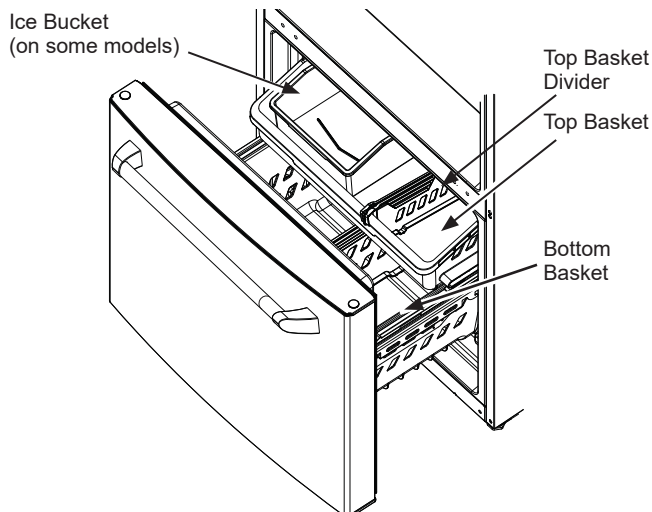
### FREEZER BASKETS

1. An ice bucket in the top basket (on some models).
2. A top full-width basket.
3. A bottom full-width basket (with divider - in some models).

**NOTE:** Do not fill baskets higher than the rim of the basket. This may cause baskets to stick or jam when opening or closing.



Appearance and features may vary



### Top Basket Removal

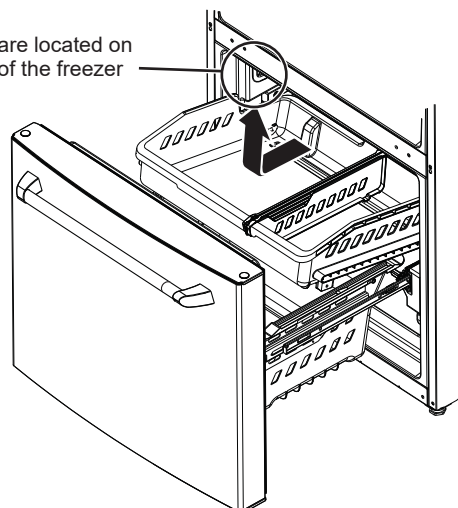
To remove the top full-width basket on freezer drawer models:

1. Pull the basket out to the stop location.
2. Lift basket up to release it from the slides.

**When replacing the basket,** make sure that the basket remains mounted on the side rails and over the slides of the bottom basket.

**NOTE:** Always be sure to fully close this basket.

LED lights are located on both sides of the freezer



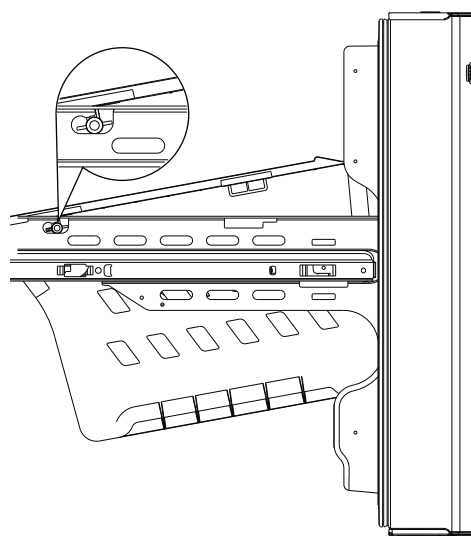
### Bottom Basket Removal

To remove the bottom full-width basket on freezer drawer models:

1. Open the bottom freezer drawer until it stops.
2. Remove the top freezer basket.
3. The bottom freezer basket rests on the inside tabs on the drawer slides.
4. Lift the front of the basket and pull forward.
5. Release the pin from the slot to remove the basket.

**When replacing the bottom full-width basket,** tilt the basket back and lower it into the drawer. Rotate the basket to a horizontal position and press down. Make sure to place the pin back into the slot.

**NOTE:** Always be sure that the basket is seated on the bracket tabs before sliding the drawer back into the freezer.



# Automatic Icemaker

A newly installed refrigerator may take 12 to 24 hours to begin making ice.

## Automatic Icemaker (on some models)

The icemaker will produce seven cubes per cycle approximately 100–130 cubes in a 24-hour period, depending on freezer compartment temperature, room temperature, number of door openings and other use conditions.

If the refrigerator is operated before the water connection is made to the icemaker, set the power switch in the **OFF** position.

When the refrigerator has been connected to the water supply, set the power switch to the **ON** position.

The icemaker will fill with water when it cools to 15°F (–10°C). A newly installed refrigerator may take 12 to 24 hours to begin making ice cubes.

You may hear a buzzing sound each time the icemaker fills with water.

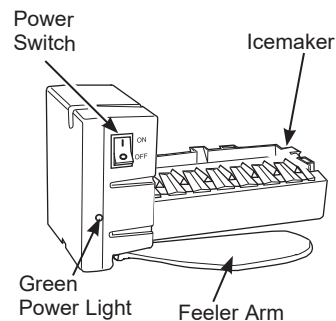
Throw away the first few batches of ice to allow the water line to clear.

Be sure nothing interferes with the sweep of the feeler arm.

When the bin fills to the level of the feeler arm, the icemaker will stop producing ice. It is normal for several cubes to be joined together.

If ice is not used frequently, old ice cubes will become cloudy, taste stale and shrink.

**NOTE:** In homes with lower-than-average water pressure, you may hear the icemaker cycle multiple times when making one batch of ice.

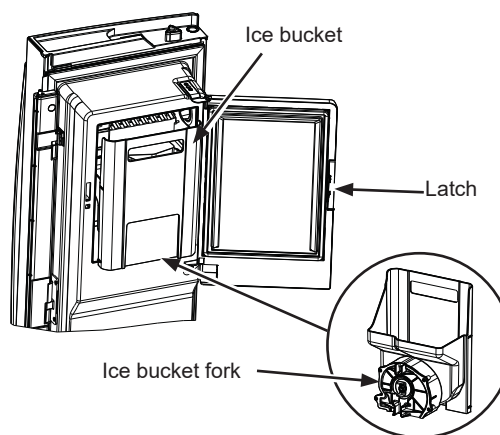


### ⚠ CAUTION

To minimize the risk of personal injury, avoid contact with the moving parts of the ejector mechanism, or with the heating element that releases the cubes. Do not place fingers or hands on the automatic ice making mechanism while the refrigerator is plugged in.

## For Refrigerator Models with Icemaker in the Door Ice Bucket and Dispenser

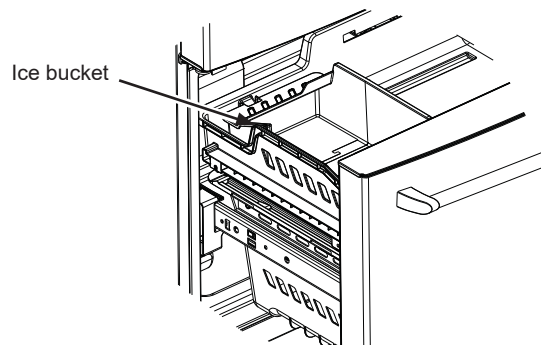
- Open the ice box door on inside of the left door.
- Pull up and out on the ice bucket in the left hand door to remove it from the compartment.
- To replace the ice bucket, set it on the guide brackets and push until the ice bucket seats properly.
- If bucket cannot be replaced, rotate the ice bucket fork 1/4 turn clockwise.
- Icemaker can be turned on and off using this display (see Controls on pages 6 and 7.)



## For Refrigerator Models with Icemaker in the Freezer Compartment

Some models come with an icemaker installed in the freezer compartment. For those models that come ice-maker ready, you can purchase Kit IM4D. Visit our website at [cafeappliances.com](http://cafeappliances.com).

There is ice storage in the freezer compartment located on the left side of the upper basket. Pull the upper basket forward to remove the ice bucket.



# Care and Cleaning

## Cleaning the Outside

### Directions for Cleaning Outside Surfaces, Door Handles, and Trim

DO USE	DO NOT USE
Soft, clean cloth or sponge	Abrasive cloths, scrubbing sponges, scouring or steel wool pads
Mild detergent mixed with warm water Approved stainless steel cleaners; Visit the Café Appliances parts store for approved stainless steel cleaners: <a href="http://cafeappliances.com/parts">cafeappliances.com/parts</a>  Cleaners with oxalic acid such as Bar Keepers Friend Soft Cleanser™ can be used to remove surface rust, tarnish and small blemishes on stainless steel surfaces only.	Abrasive powders or sprays Window Sprays or Ammonia Citrus or plant oil-based cleaners Acidic or vinegar-based cleaners Oven cleaners Cleaners containing acetone (propanone) Any cleaner with WARNING about plastic contact

**NOTE: DO NOT** allow stainless steel cleaner to come in contact with any plastic parts such as trim pieces, handle hardware and liners. If unintentional contact of cleaners with plastic parts does occur, clean plastic part with a sponge and mild detergent mixed with warm water.

## Cleaning the Inside

### Unplug the refrigerator before cleaning.

If this is not practical, wring excess moisture out of sponge or cloth when cleaning around switches, lights or controls.

Use an appliance wax polish on the inside surface between the doors.

Use warm water and baking soda solution—about a tablespoon (15 ml) of baking soda to a quart (1 liter) of water. This both cleans and neutralizes odors. Rinse and wipe dry.

### ⚠ CAUTION

Do not clean glass shelves or covers with warm water when they are cold. Glass shelves and covers may break if exposed to sudden temperature changes or impact such as bumping or dropping. Tempered glass is designed to shatter into many small pieces if it breaks.

## Behind the Refrigerator

Be careful when moving the refrigerator away from the wall. All types of floor coverings can be damaged, particularly cushioned coverings and those with embossed surfaces.

Raise the leveling legs located at the bottom front of the refrigerator.

Pull the refrigerator straight out and return it to position by pushing it straight in. Moving the refrigerator in a side direction may result in damage to the floor covering or refrigerator.

Lower the leveling legs until they touch the floor.

**When pushing the refrigerator back, make sure you don't roll over the power cord or water supply line.**

# Care and Cleaning

## Preparing for Vacation

For long vacations or absences, remove food and unplug the refrigerator. Clean the interior with a baking soda solution of one tablespoon (15 ml) of baking soda to one quart (1 liter) of water. Leave the doors open.

If the temperature can drop below freezing, have a qualified service technician drain the water supply system to prevent serious property damage due to flooding.

1) Turn refrigerator off (pages 6 and 7) or unplug the refrigerator.

- 2) Empty ice bucket
- 3) Turn water supply off

**If you cut the water supply off, turn off the icemaker (pg. 13).**

Upon returning from vacation:

- 1) Replace the water filter.
- 2) Run 2 gallons of water through the cold water dispenser (about 5 minutes) to flush the system.

## Preparing to Move

Secure all loose items such as shelves and drawers by taping them securely in place to prevent damage.

When using a hand truck to move the refrigerator, do not rest the front or back of the refrigerator against the hand truck. This could damage the refrigerator.

Handle only from the sides of the refrigerator.

Be sure the refrigerator stays in an upright position during moving.

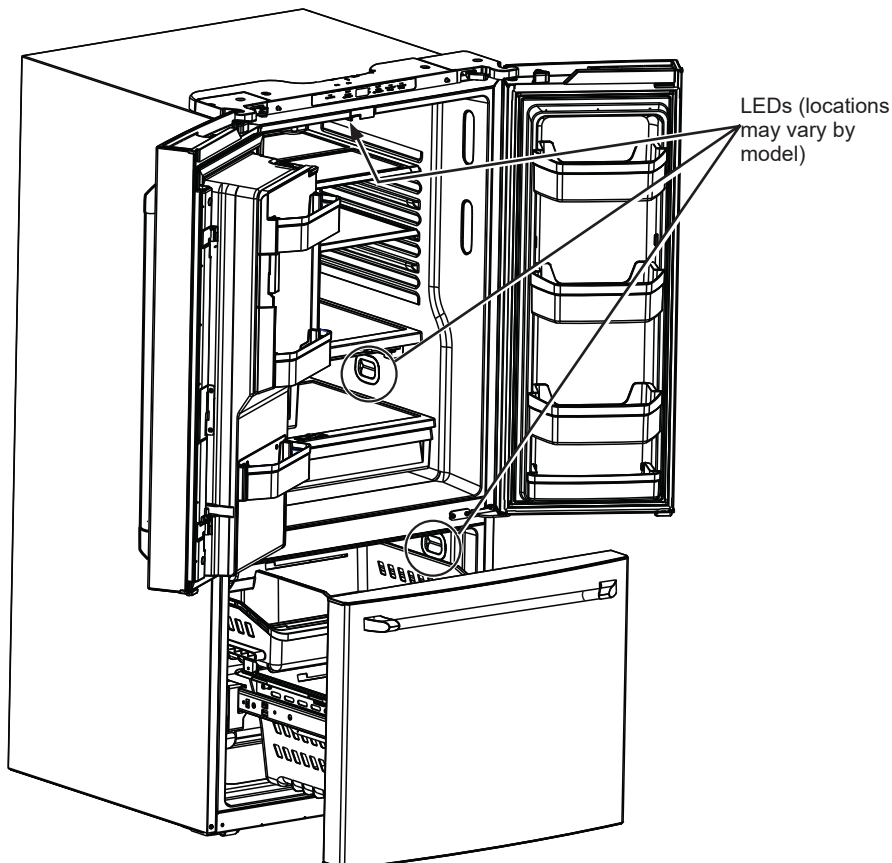
## Replacing the Lights

There is LED lighting in the fresh food compartment at the top center and on the left and right sides above the climate zone pans on the french door models. LED lighting is located at the top of the fresh food compartment on the single door models.

LED lights are also located at the top of the left and right sides of the freezer in all models.

An authorized technician will need to replace the LED light.

If this assembly needs to be replaced, schedule service on-line at [cafeappliances.com/service](http://cafeappliances.com/service).



# Installation Instructions

# Refrigerator

Questions? Visit our Website at: [cafeappliances.com](http://cafeappliances.com)  
 In Canada, visit [cafeappliances.ca](http://cafeappliances.ca)

## BEFORE YOU BEGIN

Read these instructions completely and carefully.

- **IMPORTANT** — Observe all governing codes and ordinances. Save these instructions for local inspector's use.
- **Note to Installer** – Be sure to leave these instructions with the Consumer.
- **Note to Consumer** – Keep these instructions for future reference.
- **Skill level** – Installation of this appliance requires basic mechanical skills.
- **Completion time** – Refrigerator Installation  
20 minutes  
Water Line Installation  
30 minutes
- Proper installation is the responsibility of the installer.
- Product failure due to improper installation is not covered under the Warranty.

## PREPARATION

### MOVING THE REFRIGERATOR INDOORS

If the refrigerator will not fit through a doorway, the refrigerator door and freezer drawer or door can be removed.

- To remove the refrigerator doors, see Removing French Doors section.
- To remove the freezer drawer, see the Removing the Freezer Drawer section.

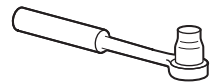
### WATER SUPPLY TO THE ICEMAKER AND DISPENSER

If the refrigerator has an icemaker, it will have to be connected to a cold water line. A Café water supply kit (containing tubing, shutoff valve, fittings and instructions) is available at extra cost from your dealer, or by visiting our website at [cafeappliances.com/parts](http://cafeappliances.com/parts). In Canada, visit [cafeappliances.ca/parts](http://cafeappliances.ca/parts).

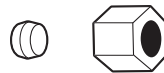
## TOOLS YOU MAY NEED



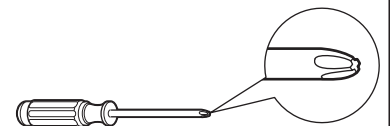
Adjustable Wrench



3/8" and 5/8" Socket Ratchet/Driver



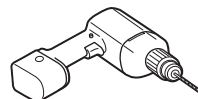
1/4" Outer Diameter Compression Nut and Ferrule (sleeve) (icemaker models only)



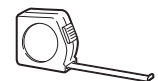
Phillips-Head Screwdriver



3/32", 1/8" & 3/16" Allen Wrenches



1/8" Drill Bit and Electric or Hand Drill



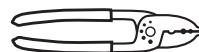
Tape Measure



Pencil



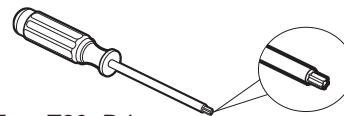
1/4" Nut Driver



Wire Cutters



Level

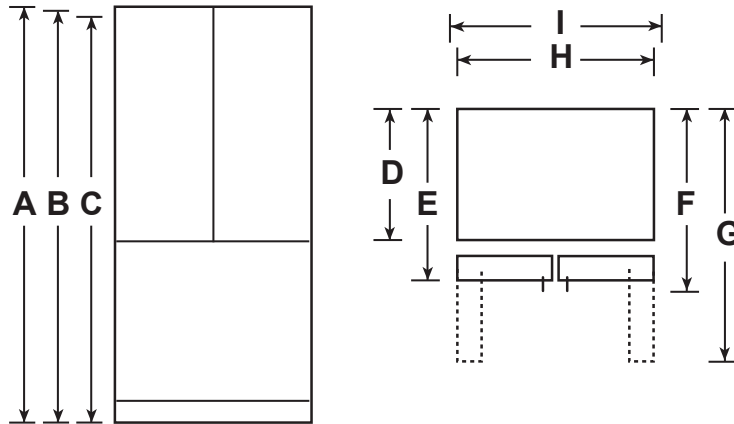


Torx T20, Driver



# Installation Instructions

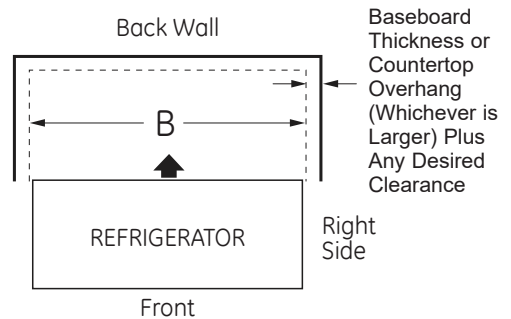
## APPLIANCE DIMENSIONS



		CWE19S	CFE26K
OVERALL DIMENSIONS	Height to top of door (in.) A	69-7/8	69-7/8
	Height to top of hinge (in.) B	69-3/4	69-3/4
	Height to top of case (in.) C	68-5/8	68-5/8
	Case depth without door (in.) D	24-1/8	29-1/2
	Case depth less door handle (in.) E	29	33-7/8
	Case depth with door handle (in.) F	31-1/8	36-7/16
	Depth with fresh food door pen 90° (in.) G	42	48-3/4
	Width (in.) H	32-3/4	35-5/8
	Width with door open 90 inc. door handle (in.) I	41	43-13/16

### MEASURE THE CABINET OPENING ACCORDING TO THE WIDTH OF THE REFRIGERATOR

Measure width of cabinet opening where refrigerator will be placed, B. Be sure to account for any countertop overhang, baseboard thickness and any clearance desired. Width, B, should not be less than 33"-36" (83.3 cm - 91.4 cm) (depending on model). The refrigerator will be placed approximately in the middle of this opening.



# Installation Instructions

## INSTALLING THE REFRIGERATOR

### REFRIGERATOR LOCATION

- Do not install the refrigerator where the temperature will go below 60°F (16°C) because it will not run often enough to maintain proper temperatures.
- Do not install the refrigerator where the temperature will go above 100°F (37°C) because it will not perform properly.
- Do not install the refrigerator in a location exposed to water (rain, etc.) or direct sunlight.
- Install it on a floor strong enough to support it fully loaded.

### CLEARANCES

Allow the following clearances for ease of installation, proper air circulation and plumbing and electrical connections.

Sides	1/8" (3 mm)	
Top	1" (25 mm)	Cabinet/Hinge Cover
Back	2" (50 mm)	

### IMPORTANT NOTES

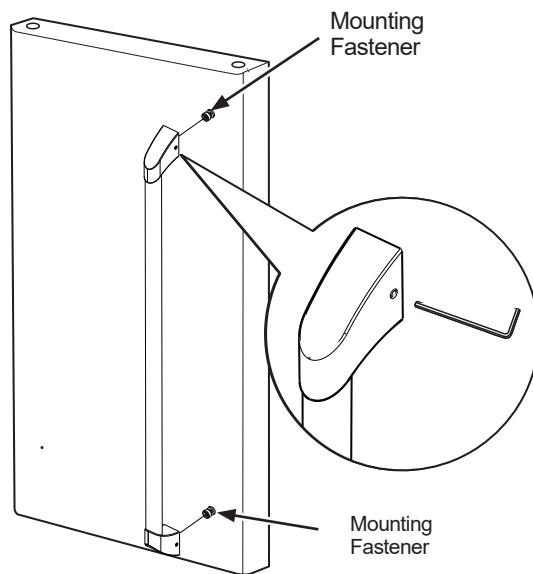
This refrigerator without the handles ranges from 33-7/8" to 35-1/4" (86 cm - 89 cm) depending on your model (see dimension E on the previous page). Doors and passageways leading to the installation location must be at least 36" (91.4 cm) in order to leave the doors attached to the refrigerator while transporting it into the installation location. If passageways are less than 36" (91.4 cm), the refrigerator doors can easily be scratched and damaged. The doors can be removed to allow the refrigerator to be safely moved indoors.

- If you need to remove the door, see Removing French Doors.
- To remove the freezer door, see Removing Freezer Drawer.
- If it is **NOT** necessary to remove doors, leave tape and all packaging on doors until the refrigerator is in the final location. Once in place, install door handles (see Steps 1 and 2).
- **SKID REMOVAL:** Tilt refrigerator to each side to remove skid.
- **NOTE:** Use a padded hand truck to move this refrigerator. Place the refrigerator on the hand truck with a side against the truck. We strongly recommend that **TWO PEOPLE** move and complete this installation.

### 1 ATTACH FRESH FOOD HANDLES

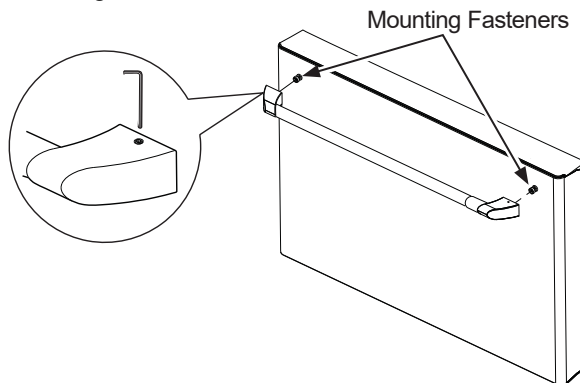
1. Loosen the set screws in the handle with the 1/8" Allen wrench.
2. Place handle over mounting fasteners.
3. Tighten set screws.

Follow the same procedure for both doors.



### 2 ATTACH FREEZER HANDLE

1. Loosen the set screws in the handle with the 1/8" Allen wrench.
2. Place handle over mounting fasteners.
3. Tighten set screws.



# Installation Instructions

## INSTALLING THE REFRIGERATOR (Cont.)

### REMOVING FRENCH DOORS

#### IMPORTANT NOTES

When removing french doors:

- Read the instructions all the way through before starting.
- Handles are included inside the refrigerator.
- Place the screws by their related parts to avoid using them in the wrong places.
- Provide a non-scratching work surface for the doors.

#### ⚠ CAUTION Lifting Hazard.

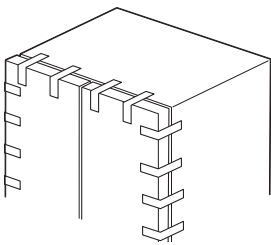
Single person lift can cause injury. Use assistance when handling, moving or lifting the refrigerator doors.

**NOTE:** When moving door, to prevent damage to door and electronics carefully place the door in a proper location.

#### ⚠ WARNING

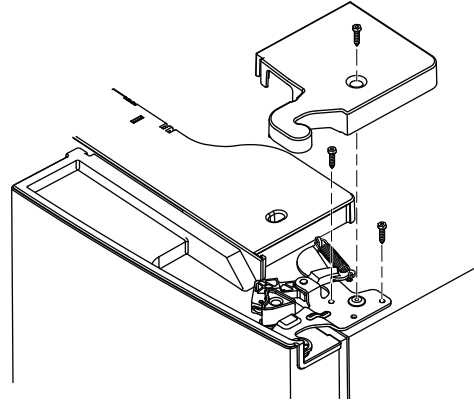
To eliminate the risk of electric shock or injury during installation, you must first unplug the refrigerator before proceeding. Failure to follow these instructions can result in electrical shock.

Tape the doors shut with adhesive tape.

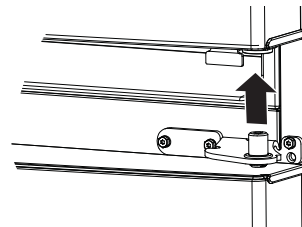


#### 1 REMOVING RIGHT DOOR

- A. Remove the hinge cover on top of the right fresh food door by removing the screw using a Phillips screwdriver.

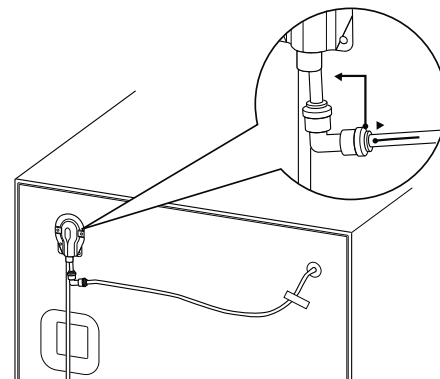


- B. Using a 5/16" socket ratchet/driver, remove the bolts securing the top hinge to the cabinet. Lift the hinge support straight up to free the hinge pin from the socket in the top of the door.
- C. Remove the tape from the right door and tilt the door away from the cabinet. Lift the door off the center hinge pin.
- D. Set the door on a non-scratching surface with the inside up.



#### 2 REMOVING LEFT DOOR

- A. **For Ice and Water Models Only:** Unplug the water line from the back of the refrigerator and remove all tape that fixes the water line to the refrigerator.

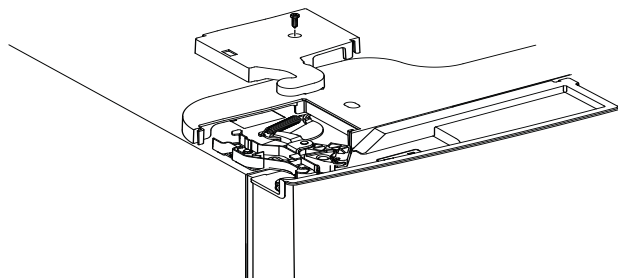


# Installation Instructions

## INSTALLING THE REFRIGERATOR (Cont.)

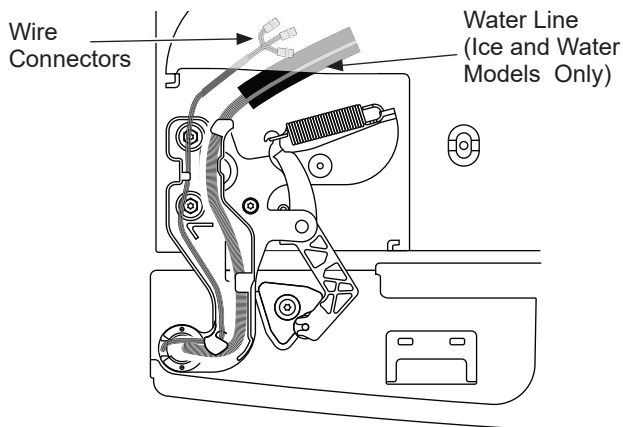
### 2 REMOVING LEFT DOOR (cont.)

**B.** Remove the hinge cover on top of the left fresh food door by removing the screw using a Phillips screwdriver.

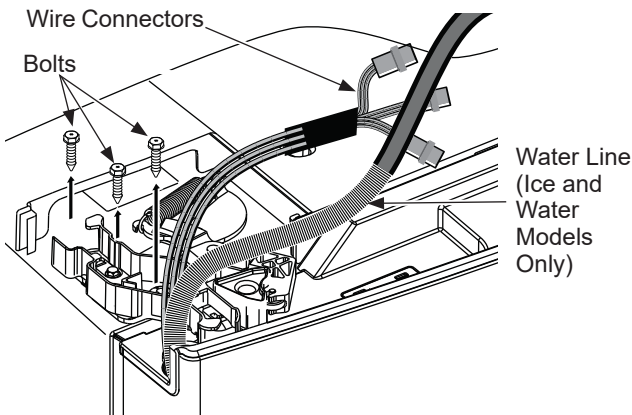


**C.** Unplug the 3 wire connectors and move the wires until you can see the screws holding the hinge.

**For Ice and Water Models Only:** Pull the water line very carefully.



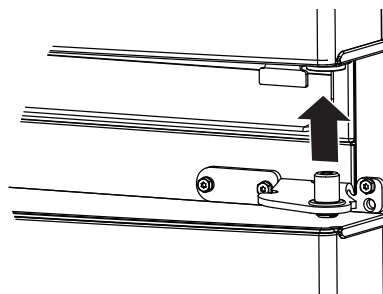
**D.** Using a 5/16" socket/ratchet driver, remove the bolts securing the top hinge to the cabinet.



**For NON Ice and Water Models Only:** Lift the hinge straight up to free the hinge pin from the socket in the top of the door and pass the wire through the slot in the hinge. **For Ice and Water Models Only:** Do not remove hinge from the door.

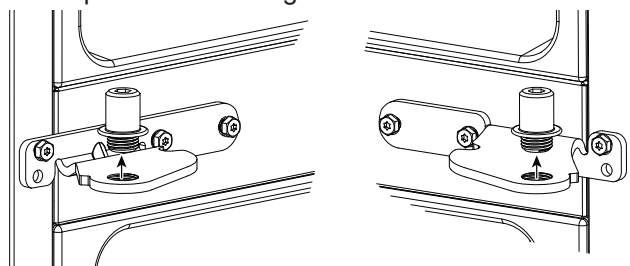
**E.** Remove the tape from the door, open the door 90 degrees and tilt the door away from the cabinet. Lift the door off the center hinge pin.

**F.** Set the door on a non-scratching surface with the inside up.

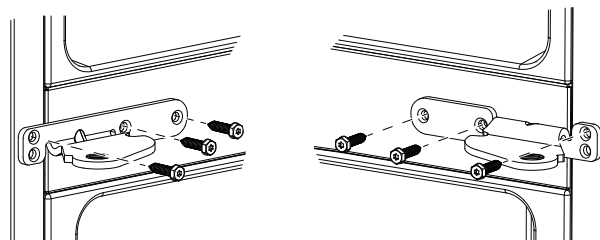


### 3 REMOVING CENTER HINGES AND BRACKETS

**A.** Using a 1/4" Allen wrench, remove the 2 hinge pins from the hinge brackets.



**B.** Using a 5/16" socket/ratchet driver, remove the bolts securing the center hinge brackets to the cabinet.



# Installation Instructions

## INSTALLING THE REFRIGERATOR (Cont.)

### REINSTALLING FRENCH DOORS

#### IMPORTANT NOTES

When replacing the french doors:

- Read the instructions all the way through before starting.

#### **CAUTION** Lifting Hazard.

Single person lift can cause injury. Use assistance when handling, moving or lifting the refrigerator doors.

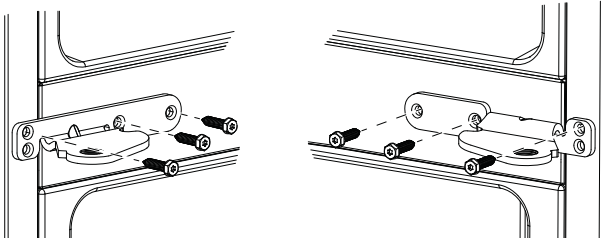
**NOTE:** When moving door, to prevent damage to door and electronics carefully place the door in a proper location.

#### **WARNING**

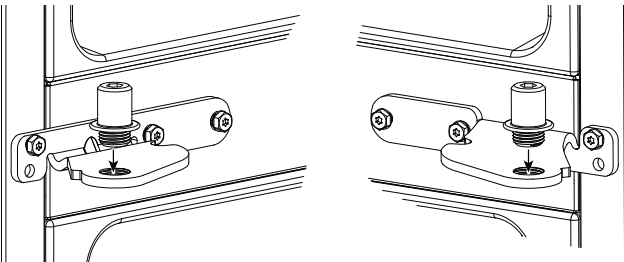
To eliminate the risk of electric shock or injury during installation, you must first unplug the refrigerator before proceeding. Failure to follow these instructions can result in electrical shock.

#### 1 REINSTALLING CENTER HINGE BRACKETS AND HINGES

- A. Using a 5/16" socket/ratchet driver, reinstall the bolts and center hinge brackets to the cabinet.

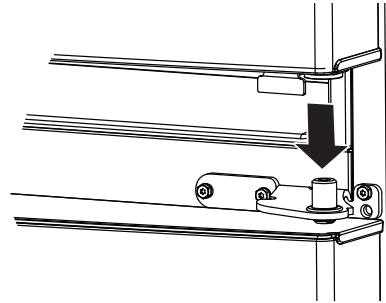


- B. Using a 1/4" Allen wrench, reinstall the 2 hinge pins into the hinge brackets.

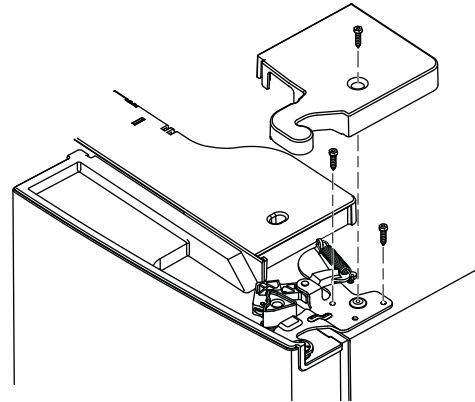


#### 2 REHANGING THE RIGHT DOOR

- A. Lower the refrigerator door onto the right hinge pin.



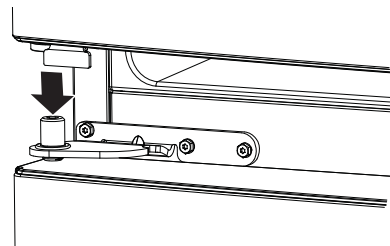
- B. Make sure the door is aligned with the cabinet. Attach the hinge to the top of the cabinet loosely with bolts removed earlier.
- C. Make sure the gasket on the door is flush against the cabinet and is not folded. Tighten the bolts to 60 lb/in. (6.78 Nm).



- D. Replace the right hinge cover on top of the refrigerator using a Phillips screwdriver.

#### 3 REHANGING THE LEFT DOOR

- A. **For NON Ice and Water Models Only:** Pass the wire through the slot in the hinge. Place the hinge pin into the top of the door.
- B. Lower the refrigerator door onto the left hinge pin.



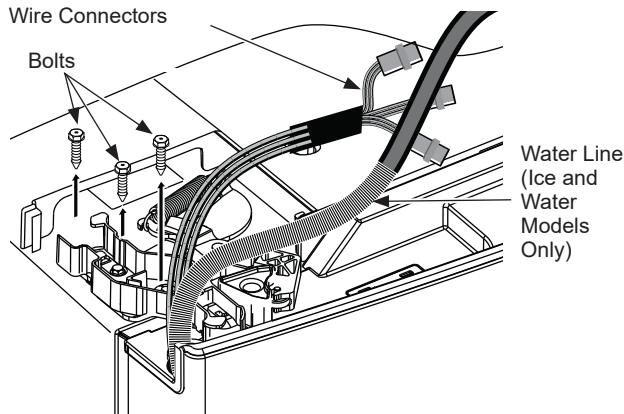
# Installation Instructions

## INSTALLING THE REFRIGERATOR (Cont.)

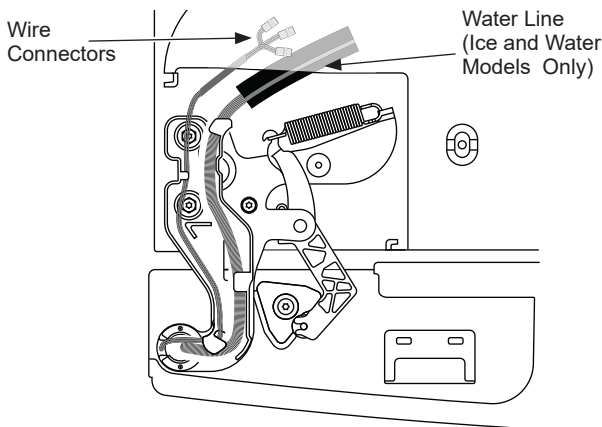
### REINSTALLING FRENCH DOORS (Cont.)

#### ③ REHANGING THE LEFT DOOR (Cont.)

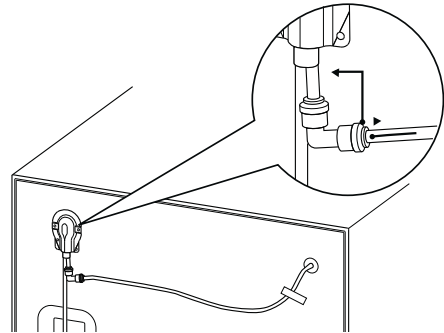
- C. Make sure the door is aligned with the cabinet. Attach the hinge to the top of the cabinet loosely with bolts removed earlier.
- D. Make sure the gasket on the door is flush against the cabinet and is not folded. Tighten the bolts to 60 lb/in. (6.78 Nm).



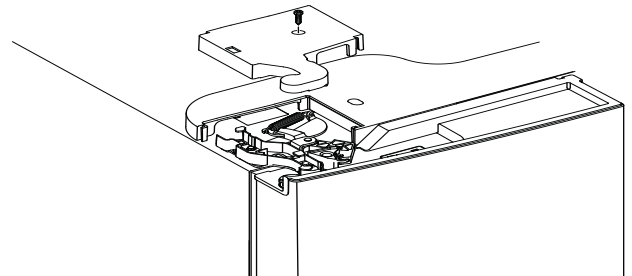
- E. Plug the wire connectors together and route the wire inside the plastic port.



- F. **For Ice and Water Models Only:** Put the water line into the hole and pass through the plastic port to the back of the refrigerator. Plug the water line back into the fixture on back of the refrigerator. Tape water line to the refrigerator.



- G. Replace the left hinge cover on top of the refrigerator using a Phillips screwdriver.



# Installation Instructions

## INSTALLING THE REFRIGERATOR (Cont.)

### REMOVING FREEZER DRAWER

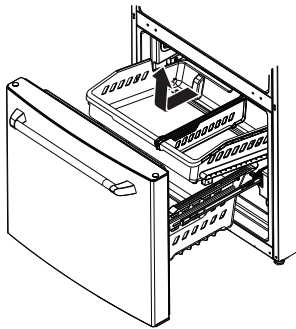
#### IMPORTANT NOTES

When removing freezer drawer:

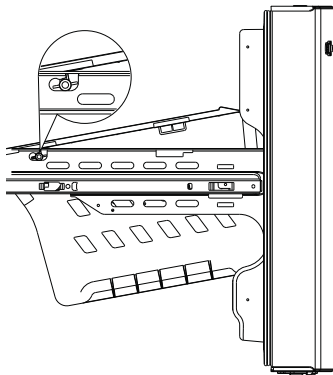
- Read the instructions all the way through before starting.
- Provide a non-scratching work surface for the doors.

#### 1 REMOVE THE BASKETS

- Open the freezer drawer until it stops.
- Pull the top basket out until it stops. Lift the basket up on the front and out to remove.

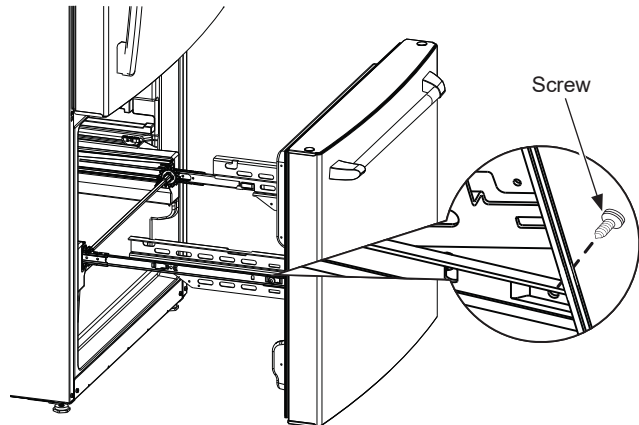


- The lower basket rests on a frame inside the freezer drawer. Lift the front of the basket and pull it forward. Release the pins from the slots on the frame to remove the basket.

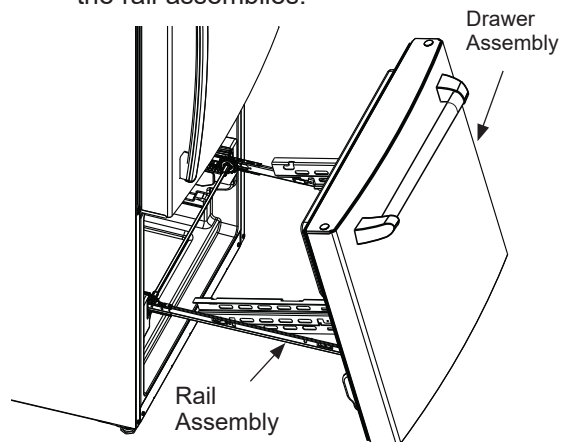


#### 2 REMOVE THE DRAWER FRONT

- Remove the screw on each side of the railing.



- Lift up on both sides of the freezer drawer handle to separate the drawer railings from the rail assemblies.



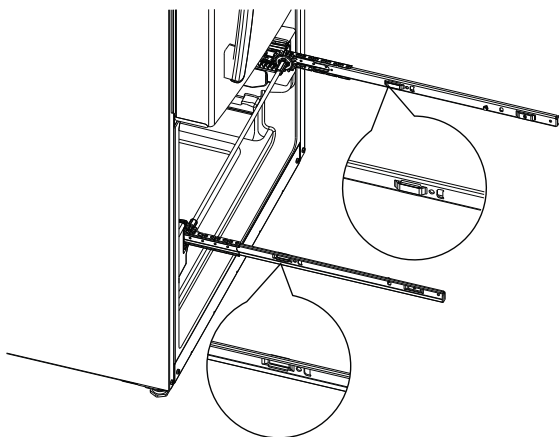
- Set the drawer front on a non-scratching surface.
- Push the rail assemblies back into locking position.

# Installation Instructions

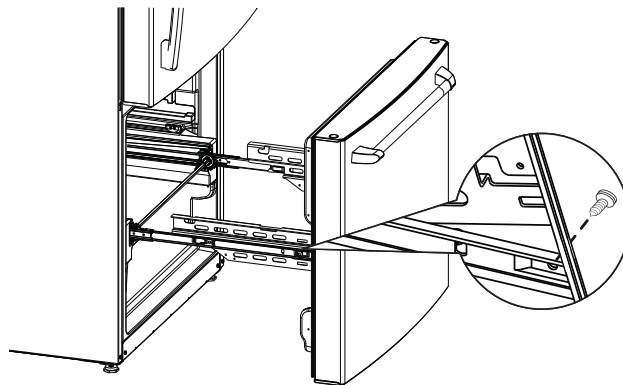
## INSTALLING THE REFRIGERATOR (Cont.)

### 3 REINSTALL FREEZER DRAWER FRONT

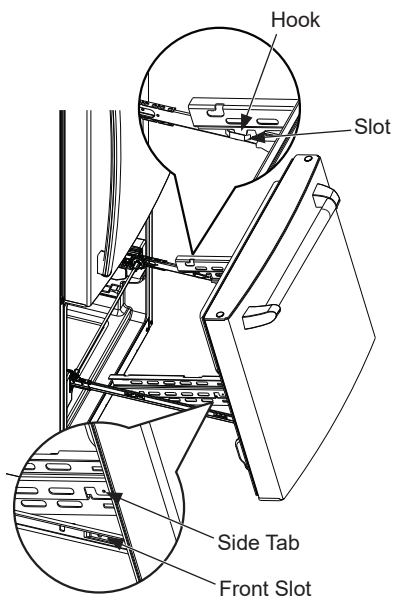
- A. Pull the rail assemblies to the maximum extension.
- B. Locate the slots on the inside of each slide.



- D. Lower the front end of the freezer drawer assembly so the side tabs fit into the front slots on the rail assemblies.
- E. Replace the safety screws in both sides of the slide assemblies.



- C. Insert the hooks on the ends of the drawer assembly extensions into the slots near the back of the slides.



- F. Replace lower and upper baskets (see About freezer drawer, page 12).



# Installation Instructions

## INSTALLING THE REFRIGERATOR (Cont.)

### CONNECTING TO THE HOUSE WATER LINE

#### (Icemaker models only)

A cold water supply is required for automatic icemaker operation. If there is not a cold water supply, you will need to provide one. See Installing the Water Line section.

#### NOTES:

- Before making the connection to the refrigerator, be sure the refrigerator power cord is not plugged into the wall outlet.
- If your refrigerator does not have a water filter, we recommend installing one if your water supply has sand or particles that could clog the screen of the refrigerator's water valve. Install it in the water line near the refrigerator. If using Universal Water Line Refrigerator Tubing Kit, you will need an additional tube (WX08X10002) to connect the filter. Do not cut plastic tube to install filter.
- Before connecting the water line to the house, purge the house line for at least 2 minutes.

**A. If you are using copper tubing**, place a compression nut and ferrule (sleeve) onto the end of the tubing coming from the house cold water supply.

**If you are using the Universal tubing**, the nuts are already assembled to the tubing.

**B. If you are using copper tubing**, insert the end of the tubing into the refrigerator connection, at the back of the refrigerator, as far as possible. While holding the tubing, tighten the fitting.

If you are using Universal tubing, insert the molded end of the tubing into the refrigerator connection, at the back of the refrigerator, and tighten the compression nut until it is hand tight. Then tighten one additional turn with a wrench. Over tightening may cause leaks.

**C.** Fasten the tubing into the clamp provided to hold it in position. You may need to pry open the clamp.

One of the illustrations below will look like the connection on your refrigerator.

#### **⚠ WARNING**

Connect to potable water supply only.

A cold water supply is required for automatic icemaker operation. The water pressure must be between 40 and 120 psi (275-827 kilopascals).

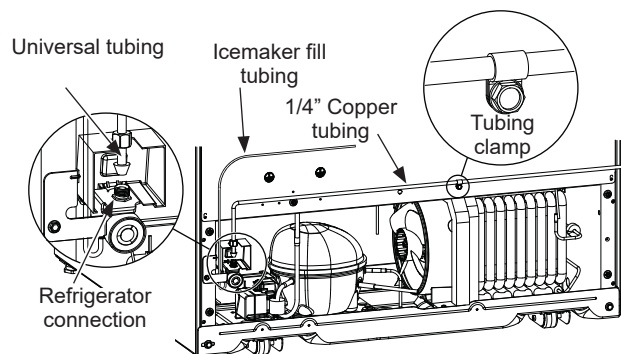
#### **⚠ WARNING**



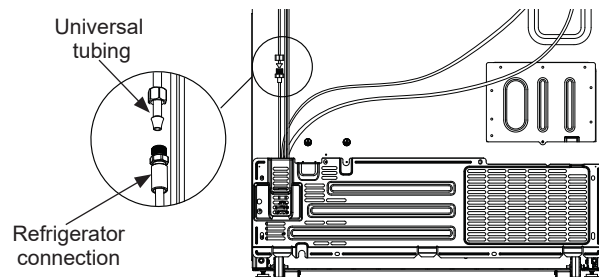
#### **ELECTRIC SHOCK HAZARD**

Attach tubing clamp using existing hole only. DO NOT drill into the refrigerator.

#### Icemaker-Ready Models



#### Icemaker-Installed Models



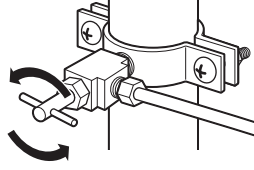
# Installation Instructions

## INSTALLING THE REFRIGERATOR (Cont.)

### TURN ON THE WATER SUPPLY

(Icemaker models only)

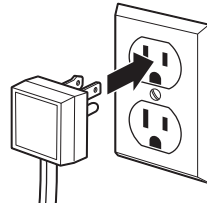
Turn the water on at the shutoff valve (house water supply) and check for any leaks.



### PLUG IN THE REFRIGERATOR

On models with an icemaker, before plugging in the refrigerator, make sure the icemaker power switch is set to the 0 (off) position.

See the grounding information attached to the power cord.



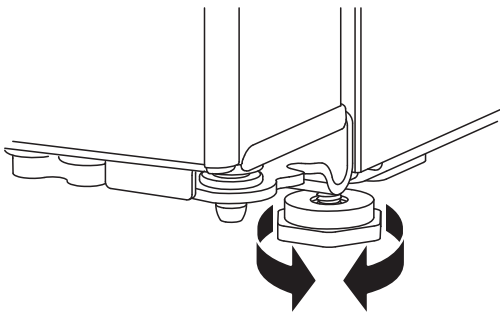
### PUT THE REFRIGERATOR IN PLACE

Move the refrigerator to its final location.

### LEVEL THE REFRIGERATOR

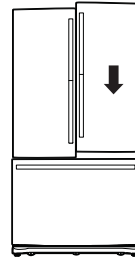
**Adjustable legs** at the front corners of the refrigerator should be set so the refrigerator is firmly positioned on the floor, and the front is raised just enough that the door closes easily when opened about halfway.

**To adjust the leveling legs**, turn the legs **clockwise to raise** the refrigerator, **counterclockwise to lower** it.

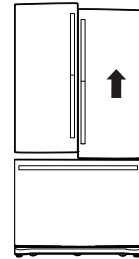


### LEVEL THE REFRIGERATOR DOORS (on some models)

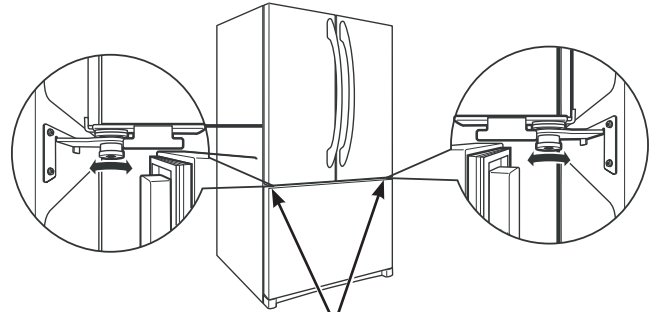
Remember a level refrigerator is necessary for getting the doors perfectly even. If you need help, review the previous section on leveling the refrigerator.



When the left door is lower than the right door.



When the left door is higher than the right door.



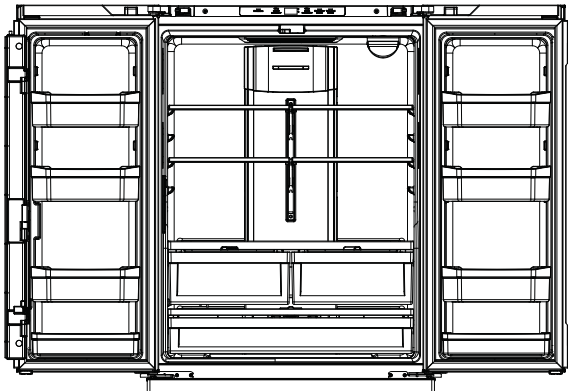
Adjustment point

If the doors remain uneven, turn the adjustable pin to raise the lowest door using a 1/4" allen wrench to turn the pin.

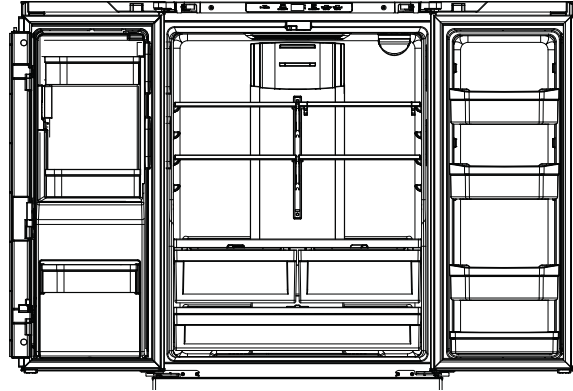
# Installation Instructions

## Refrigerator suggested assembly

Shelves shown in the location for best energy efficiency.



**CWE19S 19 cuft. Models**  
French Door with Freezer Drawer



**CFE26K 26 cuft. Models**  
French Door with Freezer Drawer

**NOTE:** Do not block air outlet by placing food items directly against it. Erratic temperatures may result.

# Installation Instructions

## INSTALLING THE WATER LINE

### BEFORE YOU BEGIN

If the water supply to the refrigerator is from a Reverse Osmosis Water Filtration System (RO) AND the refrigerator also has a water filter, use the refrigerator's filter bypass plug. Using the refrigerator's water filtration cartridge in conjunction with an RO water filter can result in hollow ice cubes. Some models do not come equipped with the filter bypass plug. To obtain a free bypass plug, visit [cafeappliances.com/service](http://cafeappliances.com/service). In Canada, visit [cafeappliances.ca/service](http://cafeappliances.ca/service).

This water line installation is not warranted by the refrigerator or icemaker manufacturer. Follow these instructions carefully to minimize the risk of expensive water damage.

Water hammer (water banging in the pipes) in house plumbing can cause damage to refrigerator parts and lead to water leakage or flooding. Call a qualified plumber to correct water hammer before installing the water supply line to the refrigerator.

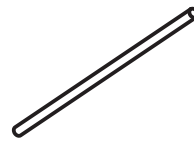
To prevent burns and product damage, do not hook up the water line to the hot water line.

Do not install the icemaker tubing in areas where temperatures fall below freezing.

When using any electrical device (such as a power drill) during installation, be sure the device is double insulated or grounded in a manner to prevent the hazard of electric shock, or is battery powered.

All installations must be in accordance with local plumbing code requirements.

### WHAT YOU WILL NEED



- Copper or Universal Water Line Refrigerator Tubing Kit, 1/4" outer diameter to connect the refrigerator to the water supply. If using copper, be sure both ends of the tubing are cut square.

To determine how much tubing you need: measure the distance from the water valve on the back of the refrigerator to the water supply pipe. Be sure there is sufficient extra tubing to allow the refrigerator to move out from the wall after installation.

Universal Water Line Refrigerator Tubing Kits are available in the following lengths:

- 6' (1.8 m) – WX08X10006
- 15' (4.6 m) – WX08X10015
- 25' (7.6 m) – WX08X10025

### ▲ WARNING

Connect to potable water supply only.

A cold water supply is required for automatic icemaker operation. The water pressure must be between 40 and 120 psi (275-827 kilopascals)

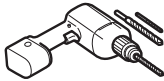
# Installation Instructions

## INSTALLING THE WATER LINE (Cont.)

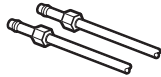
### WHAT YOU WILL NEED (Cont.)

**NOTE:** The only Crosley approved plastic tubing is that supplied in Universal Water Line Refrigerator Tubing Kits. Do not use any other plastic water supply line because the line is under pressure at all times. Certain types of plastic will crack or rupture with age and cause water damage to your home.

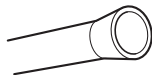
- A water supply kit (containing tubing, shutoff valve and fittings listed below) is available at extra cost from your dealer or from [cafeappliances.com/parts](http://cafeappliances.com/parts). In Canada, visit [cafeappliances.ca/parts](http://cafeappliances.ca/parts).
- A cold water supply. The water pressure must be between 20 and 120 p.s.i. (138-827 kPa).



- Power drill.
- 1/2" or adjustable wrench.
- Straight and Phillips blade screwdriver.



- Two 1/4" outer diameter compression nuts and 2 ferrules (sleeves)—to connect the copper tubing to the shutoff valve and the refrigerator water valve. OR
- If you are using a Universal Water Line Refrigerator Tubing Kit, the necessary fittings are preassembled to the tubing.



- If your existing copper water line has a flared fitting at the end, you will need an adapter (available at plumbing supply stores) to connect the water line to the refrigerator OR you can cut off the flared fitting with a tube cutter and then use a compression fitting. Do not cut formed end from Universal Water Line Refrigerator tubing.



- Shutoff valve to connect to the cold water line. The shutoff valve should have a water inlet with a minimum inside diameter of 5/32" at the point of connection to the COLD WATER LINE. Saddle-type shutoff valves are included in many water supply kits. Before purchasing, make sure a saddle-type valve complies with your local plumbing codes.

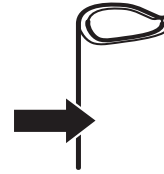
Install the shutoff valve on the nearest frequently used drinking water line.

### 1 SHUT OFF THE MAIN WATER SUPPLY

Turn on the nearest faucet long enough to clear the line of water.

### 2 CHOOSE THE VALVE LOCATION

Choose a location for the valve that is easily accessible. It is best to connect into the side of a vertical water pipe. When it is necessary to connect into a horizontal water pipe, make the connection to the top or side, rather than at the bottom, to avoid drawing off any sediment from the water pipe.

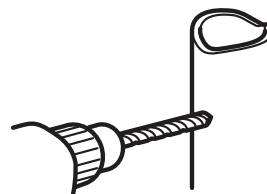


### 3 DRILL THE HOLE FOR THE VALVE

Drill a 1/4" hole in the water pipe (even if using a self-piercing valve), using a sharp bit. Remove any burrs resulting from drilling the hole in the pipe.

Take care not to allow water to drain into the drill.

Failure to drill a 1/4" hole may result in reduced ice production or smaller cubes.

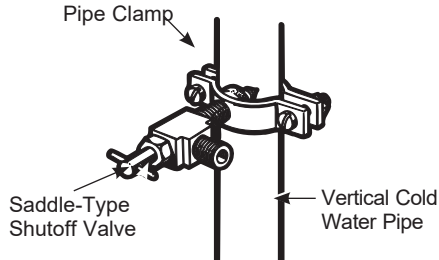


# Installation Instructions

## INSTALLING THE WATER LINE (Cont.)

### 4 FASTEN THE SHUTOFF VALVE

Fasten the shutoff valve to the cold water pipe with the pipe clamp.

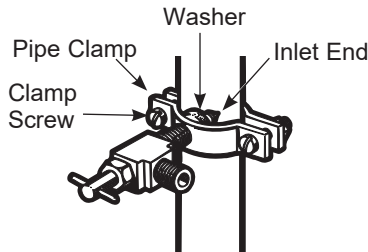


**NOTE:** Commonwealth of Massachusetts Plumbing Codes 248CMR shall be adhered to. Saddle valves are illegal and use is not permitted in Massachusetts. Consult with your licensed plumber.

### 5 TIGHTEN THE PIPE CLAMP

Tighten the clamp screws until the sealing washer begins to swell.

**NOTE:** Do not over tighten or you may crush the tubing.



### 6 ROUTE THE TUBING

Route the tubing between the cold water line and the refrigerator.

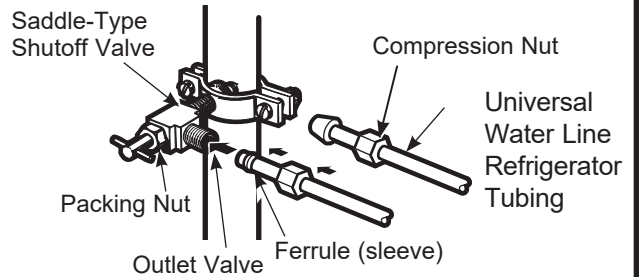
Route the tubing through a hole drilled in the wall or floor (behind the refrigerator or adjacent base cabinet) as close to the wall as possible.

### 7 FASTEN THE SHUTOFF VALVE

Place the compression nut and ferrule (sleeve) for copper tubing onto the end of the tubing and connect it to the shutoff valve.

Make sure the tubing is fully inserted into the valve. Tighten the compression nut securely.

For plastic tubing from a Universal Water Line Refrigerator Tubing Kit, insert the molded end of the tubing into the shutoff valve and tighten compression nut until it is hand tight, then tighten one additional turn with a wrench. Over tightening may cause leaks.



**NOTE:** Commonwealth of Massachusetts Plumbing Codes 248CMR shall be adhered to. Saddle valves are illegal and use is not permitted in Massachusetts. Consult with your licensed plumber.

### 8 FLUSH OUT THE TUBING

Turn the main water supply on and flush out the tubing until the water is clear.

Shut the water off at the water valve after about one quart (1 liter), or 2 minutes, of water has been flushed through the tubing.



# Normal Operating Conditions.

Newer refrigerators sound different from older refrigerators.  
Modern refrigerators have more features and use newer technology.

## Do you hear what I hear? These conditions are normal.

**HUMMM...**



**WHOOSH...**

- The new high efficiency compressor may run faster and longer than your old refrigerator and you may hear a high-pitched hum or pulsating sound while it is operating.
- You may hear a whooshing sound when the doors close. This is due to pressure equalizing within the refrigerator.



- You may hear the fans spinning at high speeds. This happens when the refrigerator is first plugged in, when the doors are opened frequently or when a large amount of food is added to the refrigerator or freezer compartments. The fans are helping to maintain the correct temperatures.
- The fans change speeds in order to provide optimal cooling and energy savings.

## CLICKS, POPS, CRACKS and SNAPS

- You may hear cracking or popping sounds when the refrigerator is first plugged in. This happens as the refrigerator cools to the correct temperature.
- Expansion and contraction of cooling coils during and after defrost can cause a cracking or popping sound.
- On models with an icemaker, after an ice making cycle, you may hear the ice cubes dropping into the ice bucket.
- On models with a dispenser, during water dispense, you may hear the water lines move at initial dispense and after dispenser button is released.

## WATER SOUNDS



- The flow of refrigerant through the cooling coils may make a gurgling noise like boiling water.
- Water dropping on the defrost heater can cause a sizzling, popping or buzzing sound during the defrost cycle.
- A water dripping noise may occur during the defrost cycle as ice melts from the evaporator and flows into the drain pan.
- Closing the door may cause a gurgling sound due to pressure equalization.

## Troubleshooting Tips... Before you call for service

Save time and money! Review the charts on the following pages first and you may not need to call for service.

<b>Problem</b>	<b>Possible Causes</b>	<b>What to Do</b>
Refrigerator does not operate	Refrigerator in defrost cycle.	Wait about 30 minutes for defrost cycle to end.
	Either or both controls set to OFF.	Set the controls to a lower temperature setting.
	Refrigerator is unplugged.	Push the plug completely into the outlet.
	The fuse is blown/circuit breaker is tripped.	Replace fuse or reset the breaker.
	Refrigerator is in showroom mode.	Unplug the refrigerator and plug it back in.
Vibration or rattling (slight vibration is normal)	Leveling legs need adjusting.	See Level the refrigerator.
Motor operates for long periods or cycles on and off frequently. (Modern refrigerators with more storage space and a larger freezer require more operating time. They start and stop often to maintain even temperatures.)	Normal when refrigerator is first plugged in.	Wait 24 hours for the refrigerator to completely cool down.
	Often occurs when large amounts of food are placed in refrigerator.	This is normal.
	Door left open.	Check to see if package is holding door open.
	Hot weather or frequent door openings.	This is normal.
	Temperature controls set at the coldest setting.	See Controls section
Refrigerator or freezer compartment too warm	Temperature control not set cold enough.	See Controls section
	Warm weather or frequent door openings.	Set the temperature control one step colder. See Controls section
	Door left open.	Check to see if package is holding door open.
Frost or ice crystals on frozen food (frost within package is normal)	Door left open.	Check to see if package is holding door open.
	Too frequent or too long door openings.	This is normal.
Divider between refrigerator and freezer compartments feels warm	Automatic energy saver system circulates warm liquid around front edge of freezer compartment.	This helps prevent condensation on the outside.
Automatic icemaker does not work	Icemaker power switch is in the OFF position.	Set the power switch to the ON position.
	Water supply turned off or not connected.	See Installing the Water Line section
	Freezer compartment too warm.	Wait 24 hours for the refrigerator to completely cool down.
	Piled up cubes in the storage bin cause the icemaker to shut off.	Level cubes by hand.
	Ice cubes stuck in icemaker.	Turn off the icemaker, remove cubes, and turn the icemaker back on.
Freezer cooling, fresh food not cooling	Normal, when refrigerator first plugged in or after extended power outage	Wait 24 hours for temperature in both compartments to reach selected temperatures.
Ice dispenser opens after closing freezer drawer	Normal	The ice dispenser door may open after closing freezer door to allow access.



# Troubleshooting Tips... Before you call for service

<b>Problem</b>	<b>Possible Causes</b>	<b>What to Do</b>
Ice cubes have odor/taste	Ice storage bin needs cleaning.	Empty and wash bin. Discard old cubes.
	Food transmitting odor/taste to ice cubes.	Wrap foods well.
	Interior of refrigerator needs cleaning.	See Care and Cleaning section.
Small or hollow cubes	Water filter clogged.	Replace filter cartridge with new cartridge or with plug.
Slow ice cube freezing	Door left open.	Check to see if package is holding door open.
	Temperature control not set cold enough.	See Controls section
Frequent 'buzzing sound"	Icemaker power switch is in the I (on) position, but the water supply to the refrigerator has not been connected.	Set the power switch to the 0 (off) position. Keeping it in the I (on) position will damage the water valve.
Orange glow in the freezer	Defrost heater is on.	This is normal.
Water has poor taste/odor	Water dispenser has not been used for a long time.	Dispense water until all water in system is replenished.
Water in first glass is warm	Normal when refrigerator is first installed.	Wait 24 hours for the refrigerator to completely cool down.
	Water dispenser has not been used for a long time.	Dispense water until all water in system is replenished.
	Water system has been drained.	Allow several hours for replenished supply to chill.
Water dispenser does not work	Water supply line turned off or not connected.	See Installing the water line section
	Water filter clogged.	Replace filter cartridge or remove filter and install plug.
	Air may be trapped in the water system.	Press the dispenser arm for at least two minutes.
	Dispenser is LOCKED.	Press and hold the LOCK pad for 3 seconds.
Water spurting from dispenser	Newly-installed filter cartridge.	Run water from the dispenser for 3 minutes (about one and a half gallons).
Water is not dispensed but icemaker is working	Water in reservoir is frozen.	Call for service.
	Refrigerator control setting is too cold.	Set to a warmer setting.
No water or ice cube production	Supply line or shutoff valve is clogged.	Call a plumber.
	Water filter clogged.	Replace filter cartridge or remove filter and install plug.
Refrigerator has odor	Foods transmitting odor to refrigerator.	Foods with strong odors should be tightly wrapped. Keep an open box of baking soda in the refrigerator; replace every three months.
	Interior needs cleaning.	See Care and Cleaning section
Moisture forms on outside of refrigerator	Not unusual during periods of high humidity.	Wipe surface dry.
Moisture collects inside (in humid weather, air carries moisture into refrigerator when doors are opened)	Too frequent or too long door openings.	This is normal.
	Due to the higher humidity in the refrigerator, you may on occasion experience fog or small amounts of moisture in the refrigerator compartment.	This is normal and may come and go as different food loads and environmental conditions change. Wipe dry with a paper towel if desired.
Interior light does not work	No power at outlet.	Replace fuse or reset the breaker.
	LED lights are out	Call Service - see Replacing the Lights

# TROUBLESHOOTING TIPS Troubleshooting Tips... Before you call for service

Save time and money! Review the charts on the following pages first and you may not need to call for service.

TROUBLESHOOTING TIPS

Problem	Possible Causes	What to Do
Hot air from bottom of refrigerator	Normal air flow cooling motor. In the refrigeration process, it is normal that heat be expelled in the area under the refrigerator. Some floor coverings are sensitive and will discolor at these normal and safe temperatures.	This is normal.
Refrigerator never shuts off but the temperatures are OK	Adaptive defrost keeps compressor running during door openings.	This is normal. The refrigerator will cycle off after the door remains closed for 2 hours.
Refrigerator is beeping	Door is open.	Close door.
Door not closing properly	Door gasket on hinge side sticking or folding over.	Apply paraffin wax to the face of the gasket.
Actual temperature not equal to Set temperature	Unit just plugged in.	Allow 24 hours for system to stabilize.
	Door open for too long.	Allow 24 hours for system to stabilize.
	Warm food added to refrigerator.	Allow 24 hours for system to stabilize.
	Defrost cycle is in process.	Allow 24 hours for system to stabilize.
Door/drawer does not close by itself	Leveling legs need adjusting.	See Level the refrigerator
Freezer drawer pops open when refrigerator door is closed	This is normal if, after popping open, the freezer drawer closed on its own.	This indicates that there is a good seal on the freezer drawer. If the freezer drawer does not automatically close after popping open, then see the <b>Problem:</b> Door/ drawer does not close by itself, above.
Food freezing in the refrigerator	Food too close to the air vent at the back of the refrigerator.	Move the food away from the air vent.
	Refrigerator control is set too cold.	Move the refrigerator control to a warmer temperature setting one increment at a time.
Water is leaking from dispenser	Glass not being held under the dispenser long enough after button is released.	Hold the glass underneath the dispenser for 2–3 seconds after releasing the dispenser button. Water may continue to dispense after the button is released
	Air may be present in the water line system, causing water to drip after being dispensed.	Dispense water for at least 2 minutes to remove air from system.
My display is showing <b>tc</b>	Turbo Cool function is activated.	See Controls section
Water filter indicator light changed color	This is normal.	See Water Filter Cartridge - XWF section
Water filter indicator light remains red even after replacing the water filter	Water filter indicator must be reset.	Press and hold the WATER FILTER pad for 3 seconds. See Water Filter Cartridge - XWF section.
Water filter indicator light is not lit	This is normal. The filter cartridge should be replaced when the replacement indicator light turns red.	See Water Filter Cartridge - XWF section
Handle is loose / handle has a gap	Handle needs adjusting.	See Attach the Fresh Food Handle and Attach the Freezer Handle sections
Refrigerator doors are not even	Doors need realigning.	See Level the Refrigerator Doors section.
Baskets stick or jam when opening or closing	Baskets are too full.	<b>To open:</b> remove some of the products from the basket when opened as far as possible. Readjust the products left in the basket and try to open the basket again. <b>To close:</b> readjust products in the basket or remove any product that is above the rim of the basket and close the basket.

# Café Refrigerator Limited Warranty

**LIMITED WARRANTY**

## cafeappliances.com

All warranty service is provided by our Factory Service Centers, or an authorized service technician. To schedule service online, visit us at [cafeappliances.com/service](http://cafeappliances.com/service). Please have your serial number and your model number available when scheduling service. In Canada, visit [cafeappliances.ca/service](http://cafeappliances.ca/service).

Servicing your refrigerator may require the use of the onboard data port for diagnostics. This gives a Café Factory Service technician the ability to quickly diagnose any issues with your appliance and helps Café improve its products by providing Café with information on your appliance. If you do not want your appliance data to be sent to Café, please advise your technician NOT to submit the data to Café at the time of service.

For the Period of:	Café Will Replace
<b>One Year</b> From the date of the original purchase	<b>Any part</b> of the refrigerator which fails due to a defect in materials or workmanship. During the <b>limited one-year warranty</b> , Café will also provide, <b>free of charge</b> , all labor and related service to replace the defective part.
<b>Thirty Days</b> (Water filter, if included) From the original purchase date of the refrigerator	<b>Any part</b> of the water filter cartridge which fails due to a defect in materials or workmanship. During this <b>limited thirty-day warranty</b> , Café will also provide, <b>free of charge</b> , a replacement water filter cartridge.
<b>Five Years</b> From the date of the purchase	<b>Any part</b> of the sealed refrigerating system (the compressor, condenser, evaporator and all connecting tubing) which fails due to a defect in materials or workmanship. During this <b>limited five-year sealed refrigerating system warranty</b> , Café will also provide, <b>free of charge</b> , all labor and related service to replace the defective part in the sealed refrigerating system.

### What Café Will Not Cover:

- Service trips to your home to teach you how to use the product.
- Improper installation, delivery or maintenance.
- Failure of the product if it is abused, misused, or used for other than the intended purpose or used commercially.
- Loss of food due to spoilage.
- Replacement of house fuses or resetting of circuit breakers.
- Damage to finish, such as surface rust, tarnish, or small blemishes not reported within 48 hours of delivery.
- Replacement of the water filter cartridge, if included, due to water pressure that is outside the specified operating range or due to excessive sediment in the water supply.
- Replacement of the light bulbs, if included, or water filter cartridge, if included, other than as noted above.
- Damage to the product caused by accident, fire, floods or acts of God.
- Incidental or consequential damage caused by possible defects with this appliance.
- Product not accessible to provide required service.
- Damage caused by a non-GE Appliances Brand water filter.

**EXCLUSION OF IMPLIED WARRANTIES**  
Your sole and exclusive remedy is product repair as provided in this Limited Warranty. Any implied warranties, including the implied warranties of merchantability or fitness for a particular purpose, are limited to one year or the shortest period allowed by law.

**For US Customers:** This limited warranty is extended to the original purchaser and any succeeding owner for products purchased for home use within the USA. If the product is located in an area where service by a Café Authorized Servicer is not available, you may be responsible for a trip charge or you may be required to bring the product to an Authorized Café Service location for service. In Alaska, the limited warranty excludes the cost of shipping or service calls to your home.

Some states do not allow the exclusion or limitation of incidental or consequential damages. This limited warranty gives you specific legal rights, and you may also have other rights which vary from state to state. To know what your legal rights are, consult your local or state consumer affairs office or your state's Attorney General.

**Warrantor: GE Appliances, a Haier company**  
**Louisville, KY 40225**

**For Customers in Canada:** This limited warranty is extended to the original purchaser and any succeeding owner for products purchased in Canada for home use within Canada. In-home warrant service will be provided in areas where it is available and deemed reasonable by Mabe to provide.

**Warrantor Canada: MC Commercial, Inc., Burlington, Ontario, L7R 5B6**

Staple your receipt here. Proof of the original purchase date is needed to obtain service under the warranty.



# Performance Data Sheet

## Model: XWF

- System certified by IAPMO R&T against NSF/ANSI Standards 42, 53, 401 for the reduction of claims specified on the performance data sheet and at [iapmort.org](http://iapmort.org).
- Actual performance may vary with local water conditions.

Substance Tested for Reduction	Influent challenge concentration (mg/L)	Maximum permissible product water concentration (mg/L)	Avg % Reduction
Chlorine Taste and Odor	2.0 mg/L +/- 10%	N/A	96.9
Chloramine Taste and Odor	3.0 mg/L +/- 10%	0.5	96.9
Particulate, Class I	At least 10,000/mL	N/A	91.4
Cysts	50,000/L	N/A	>99.99
Lead	0.15	0.01	98.85
Mercury	0.006	0.002	96.3
Asbestos	107 to 108 fibers/ L	N/A	>99
Toxaphene	0.015 +/- 10%	0.003	86.95
VOC (Chloroform surrogate chemical)	0.300	0.015	99.7
Alachlor	0.050	0.001	> 98
Atrazine	0.100	0.003	> 97
Benzene	0.081	0.001	> 99
Carbofuran	0.190	0.001	> 99
carbon tetrachloride	0.078	0.0018	98
chlorobenzene	0.077	0.001	> 99
chloropicrin	0.015	0.0002	99
2,4-D	0.110	0.0017	98
dibromochloropropane (DBCP)	0.052	0.00002	> 99
o-Dichlorobenzene	0.08	0.001	> 99
p-Dichlorobenzene	0.040	0.001	> 98
1,2-dichloroethane	0.088	0.0048	95
1,1-dichloroethylene	0.083	0.001	> 99
cis-1,2-dichloroethylene	0.170	0.0005	> 99
trans-1,2-dichloroethylene	0.086	0.001	> 99
1,2-dichloropropane	0.080	0.001	> 99
cis-1,3-dichloropropylene	0.079	0.001	> 99
dinoseb	0.170	0.0002	99
Endrin	0.053	0.00059	99
Ethylbenzene	0.088	0.001	> 99
ethylene dibromide (EDB)	0.044	0.00002	> 99
bromochloroacetonitrile	0.022	0.0005	98
dibromoacetonitrile	0.024	0.0006	98
dichloroacetonitrile	0.0096	0.0002	98
trichloroacetonitrile	0.015	0.0003	98
1,1-dichloro-2-propanone	0.0072	0.0001	99
1,1,1-trichloro-2-propanone	0.0082	0.0003	96
heptachlor (H-34, Heptox)	0.025	0.00001	>99
heptachlor epoxide	0.0107	0.0002	98
hexachlorobutadiene	0.044	0.001	> 98
hexachlorocyclopentadiene	0.060	0.000002	> 99
Lindane	0.055	0.00001	> 99
methoxychlor	0.050	0.0001	> 99
pentachlorophenol	0.096	0.001	> 99
simazine	0.120	0.004	> 97
Styrene	0.150	0.0005	> 99
1,1,2,2-tetrachloroethane	0.081	0.001	> 99
Tetrachloroethylene	0.081	0.001	> 99
Toluene	0.078	0.001	> 99
2,4,5-TP (silvex)	0.270	0.0016	99
tribromoacetic acid	0.042	0.001	> 98
1,2,4-Trichlorobenzene	0.160	0.0005	> 99
1,1,1-trichloroethane	0.084	0.0046	95
1,1,2-trichloroethane	0.150	0.0005	> 99
trichloroethylene	0.180	0.0010	> 99
bromoform	0.300	0.015	95
bromodichloromethane	0.300	0.015	95
chlorodibromomethane	0.300	0.015	95
xylene	0.070	0.001	>99
Meprobamate	400 +/- 20%	60	95.5
Atenolol	200 +/- 20%	30	95.9
Carbamazepine	1400 +/- 20%	200	98.6
DEET	1400 +/- 20%	200	98.6
Metolachlor	1400 +/- 20%	200	98.7
Trimethoprim	140 +/- 20%	20	96.1
Linuron	140 +/- 20%	20	96.6
TCEP	5000 +/- 20%	700	98.1
T CPP	5000 +/- 20%	700	98.1
Phenytol	200 +/- 20%	30	96
Ibuprofen	400 +/- 20%	60	95.9
Naproxen	140 +/- 20%	20	96.5
Estrone	140 +/- 20%	20	97.1
Bisphenol A	2000 +/- 20%	300	99.1
Nonyl phenol	1400 +/- 20%	200	97.3

### Application Guidelines/Water Supply Parameters

Service Flow	0.5 gpm (1.89 lpm)
Water Supply	Potable Water
Water Pressure	25-120 psi (172-827 kPa)
Water Temperature	33°F-100°F (0.6°C-38°C)
Capacity	170 gallons (643.5 liters)

It is essential that the manufacturer's recommended installation, maintenance and filter replacement requirements be carried out for the product to perform as advertised. See Installation Manual for Warranty information.

**Note:** While the testing was performed under standard laboratory conditions, actual performance may vary. Replacement Cartridge: XWF. For estimated costs of replacement elements please visit our website at [cafeappliances.com](http://cafeappliances.com).

### ⚠ WARNING To reduce the risk associated with ingestion of contaminants:

- Do not use with water that is microbiologically unsafe or of unknown quality without adequate disinfection before and after the system. Systems certified for cyst reduction may be used on disinfected water that may contain filterable cysts.

### NOTICE

To reduce the risk of water leakage or flooding, and to ensure optimal filter performance:

- Read and follow use instructions before installation and use of this system.
- Installation and use **MUST** comply with all state and local plumbing codes.
- Do not install if water pressure exceeds 120 psi (827 kPa). If your water pressure exceeds 80 psi (552 kPa), you **must** install a pressure-limiting valve. Contact a plumbing professional if you are uncertain how to check your water pressure.
- Do not install where water hammer conditions may occur. If water hammer conditions exist you **must** install a water hammer arrester. Contact a plumbing professional if you are uncertain how to check for this condition.
- Do not install on hot water supply lines. The maximum operating water temperature of this filter system is 100° F (38° C).
- Protect filter from freezing. Drain filter when temperatures drop below 33°F (0.6°C).
- Change the disposable filter cartridge every six months or sooner if you observe a noticeable reduction in water flow rate.
- Failure to replace the disposable filter cartridge at recommended intervals may lead to reduced filter performance and cracks in the filter housing, causing water leakage or flooding.
- This System has been tested according to NSF/ANSI 42, 53 and 401 for the reduction of the substances listed below. The concentration of the indicated substances in water entering the system was reduced to a concentration less than or equal to the permissible limit for water leaving the system, as specified in NSF/ANSI 42, 53 and 401.



XWF System is certified by IAPMO R&T against NSF/ANSI Standards 42, 53, and 401 for the reduction of claims specified on the performance data sheet and at [iapmort.org](http://iapmort.org).

# Notes

---

# Notes

---

# Consumer Support

---

## Café Website

Have a question or need assistance with your appliance? Try the Café website 24 hours a day, any day of the year! You can also shop for more great Café products and take advantage of all our on-line support services designed for your convenience. In the US: [cafeappliances.com](http://cafeappliances.com)

---

## Register Your Appliance

Register your new appliance on-line at your convenience! Timely product registration will allow for enhanced communication and prompt service under the terms of your warranty, should the need arise. You may also mail in the pre-printed registration card included in the packing material. In the US: [cafeappliances.com/register](http://cafeappliances.com/register)

---

## Schedule Service

Expert Café repair service is only one step away from your door. Get on-line and schedule your service at your convenience any day of the year. In the US: [cafeappliances.com/service](http://cafeappliances.com/service)

---

## Extended Warranties

Purchase a Café extended warranty and learn about special discounts that are available while your warranty is still in effect. You can purchase it on-line anytime. Café Service will still be there after your warranty expires. In the US: [cafeappliances.com/extended-warranty](http://cafeappliances.com/extended-warranty)

---

## Remote Connectivity

For assistance with wireless network connectivity (for models with remote enable), visit our website at [cafeappliances.com/connect](http://cafeappliances.com/connect)

---

## Parts and Accessories

Individuals qualified to service their own appliances can have parts or accessories sent directly to their homes (VISA, MasterCard and Discover cards are accepted). Order on-line today 24 hours every day. In the US: [cafeappliances.com/parts](http://cafeappliances.com/parts)

**Instructions contained in this manual cover procedures to be performed by any user. Other servicing generally should be referred to qualified service personnel. Caution must be exercised, since improper servicing may cause unsafe operation.**

---

## Contact Us

If you are not satisfied with the service you receive from Café, contact us on our website with all the details including your phone number, or write to:

In the US: General Manager, Customer Relations | Café Appliances, Appliance Park | Louisville, KY 40225  
[cafeappliances.com/contact](http://cafeappliances.com/contact)





DISTINCT BY DESIGN™

## Manuel d'utilisation et d'installation

# Réfrigérateur à congélateur inférieur

Modèles : CWE19S (Modèles de profondeur normale (PN))

CFE26K (Modèles de profondeur de comptoir (PC))

### Contenu

<b>Consignes de sécurité</b> .....	3	<b>Instructions d'installation</b>	
<b>Consignes d'utilisation</b>		Préparation avant installation du réfrigérateur.....	16
Fonctions .....	5	Appliance Dimensions .....	17
Commandes.....	6	Installation du réfrigérateur .....	18
Distributeur* .....	8	Installation de l'alimentation en eau.....	28
Filtre à eau : XWF .....	9	<b>Conseils de dépannage</b> .....	31
Tablettes et balconnets .....	10	<b>Garantie limitée</b> .....	35
Bacs .....	11	<b>Assistance à la clientèle</b>	
Tiroir du congélateur .....	12	Certificat de garantie du filtre à eau	
Machine à glaçons automatique*.....	13	à cartouche.....	36
<b>Entretien et nettoyage</b> .....	14	Données de performance .....	37
Remplacement des ampoules .....	15	Assistance à la clientèle.....	40

Transcrivez les numéros de modèle et de série ici :

Numéro de modèle : \_\_\_\_\_

Numéro de série : \_\_\_\_\_

Vous trouverez ces numéros sur l'étiquette apposée sur le côté gauche à mi-hauteur du compartiment de réfrigération.

**FRANÇAIS**

## NOUS VOUS REMERCIONS D'ACCUEILLIR CAFÉ CHEZ VOUS

---

Nous sommes fiers du savoir-faire, de l'innovation et de l'esthétique qui composent chaque appareil Café, et nous pensons que vous le serez aussi. Dans cette optique, nous vous rappelons que l'enregistrement de votre électroménager vous assure la communication de renseignements importants sur le produit et la garantie lorsque vous en avez besoin.

Enregistrez votre électroménager Café en ligne dès maintenant. Des sites Web utiles figurent dans la section Soutien au consommateur de ce manuel d'utilisation. Vous pouvez aussi poster la fiche de garantie pré-imprimée incluse dans l'emballage.

**C A F É**

---

DISTINCT BY DESIGN™

# INFORMATION DE SÉCURITÉ IMPORTANTES

## LISEZ TOUTES LES DIRECTIVES AVANT D'UTILISER L'APPAREIL

**⚠ AVERTISSEMENT** Pour réduire le risque d'incendie, d'explosion, de choc électrique ou de blessures lorsque vous utilisez votre réfrigérateur, veuillez suivre ces consignes de sécurité :

- Ce réfrigérateur doit être correctement installé conformément aux instructions d'installation avant toute utilisation.
- Débranchez le réfrigérateur avant d'effectuer une réparation ou de le nettoyer.  
**Remarque :** L'alimentation du réfrigérateur ne peut être déconnectée par aucune des fonctions sur le panneau de commande.  
**Remarque :** Les réparations doivent être effectuées par un professionnel qualifié.
- Remettez toutes les pièces et panneaux en place avant d'utiliser l'appareil.
- N'utilisez pas un cordon de rallonge.
- Abstenez-vous d'entreposer ou d'utiliser de l'essence ou d'autres vapeurs et liquides inflammables aux alentours de cet électroménager ou d'autres appareils.
- N'entreposez pas dans cet électroménager des substances explosives telles que des bombes aérosols qui contiennent un gaz propulseur.
- Afin de prévenir les risques d'asphyxie et d'enfermement des enfants, enlevez les portes des compartiments réfrigérateur et congélateur avant de mettre le réfrigérateur au rebut ou d'en cesser l'usage.
- Afin de prévenir les accidents graves ou la mort, les enfants ne doivent pas se tenir ni jouer dans ou sur l'électroménager.
- Les enfants et les personnes dont les capacités sont réduites sur le plan physique, sensoriel ou mental, ou qui manquent d'expérience ou de connaissances, peuvent utiliser cet électroménager seulement si elles sont surveillées ou ont reçues des consignes de sécurité sur son usage et les risques y sont associés.
- Cet électroménager est conçu pour une utilisation domestique et applications similaires : salle du personnel dans une usine, un bureau ou d'autres lieux de travail; maison de ferme; clients dans un hôtel, un motel, un gîte touristique et d'autres lieux résidentiels; approvisionnement et applications similaires non reliées au commerce de détail.
- Raccordez l'appareil à une alimentation d'eau potable seulement. Une alimentation d'eau froide est requise pour faire fonctionner la machine à glaçons et le pichet à remplissage automatique. La pression d'eau doit se situer entre 40 et 120 psi. (275 à 827 kPa).
- N'appliquez pas de nettoyants corrosifs sur le réfrigérateur. Certains nettoyants endommagent le plastique et peuvent ainsi causer le détachement inopiné de pièces telles que porte ou poignées de porte. Voyez la section Entretien et nettoyage pour des instructions détaillées.

**⚠ ATTENTION** Pour réduire le risque de blessures lorsque vous utilisez votre réfrigérateur, veuillez suivre ces consignes de sécurité.

- Ne nettoyez pas les tablettes ou les couvercles en verre avec de l'eau tiède quand ceux-ci sont froids. Les tablettes et couvercles en verre peuvent se casser s'ils sont exposés à des changements soudains de température ou si vous les cognez ou les faites tomber. Le verre trempé est conçu pour se briser en petits morceaux en cas de casse.
- Éloignez les doigts des parties du congélateur où l'on peut facilement se pincer : les espaces entre les portes, et entre les portes et les placards sont toujours étroits. Soyez prudent lorsque vous fermez les portes en présence d'enfants.
- Ne touchez pas les surfaces froides du congélateur lorsque vous avez les mains humides ou mouillées. La peau risque d'adhérer à ces surfaces extrêmement froides.
- Ne recongelez pas les aliments surgelés qui ont complètement dégelé.
- Si votre réfrigérateur est doté d'une machine à glaçons automatique, évitez le contact avec les pièces mobiles du mécanisme éjecteur, ou avec l'élément chauffant qui libère les glaçons. Ne posez pas les doigts ou les mains sur le mécanisme de la machine à glaçons automatique pendant que le réfrigérateur est branché.
- Utilisez un verre robuste qui résiste à la distribution de glace (sur les modèles avec distributeur de glace).

## INSTALLATION

**⚠ AVERTISSEMENT**  **RISQUE D'EXPLOSION.**

Conservez les matériaux et vapeurs inflammables tels que l'essence à l'écart de votre réfrigérateur. Une explosion, un incendie voire la mort pourrait en résulter.

# LIRE ET CONSERVER CES INSTRUCTIONS

# INFORMATION DE SÉCURITÉ IMPORTANTES

## LISEZ TOUTES LES DIRECTIVES AVANT D'UTILISER L'APPAREIL

### BRANCHEMENTS ÉLECTRIQUES

#### ⚠ AVERTISSEMENT



#### RISQUE DE CHOC ÉLECTRIQUE

Branchez l'appareil dans une prise triple avec terre.

Ne retirez pas la broche de terre.

N'utilisez pas d'adaptateur.

N'utilisez pas un cordon de rallonge.

Le non-respect de ces instructions peut entraîner des risques d'incendies, des chocs électriques ou la mort.

**Ne coupez pas ou n'enlevez pas, sous aucun prétexte, la troisième broche de mise à la terre du cordon d'alimentation. Pour des raisons de sécurité, cet appareil doit être correctement mis à la terre.**

Le cordon d'alimentation de cet appareil est équipé d'une fiche à trois broches (pour une mise à la terre) qui s'adapte à la prise de courant standard à 3 broches (pour une mise à la terre) pour minimiser les risques de chocs électriques par cet appareil.

Faites vérifier la prise murale et le circuit électrique par un électricien qualifié pour s'assurer que le système est correctement mis à la terre.

Dans le cas d'une prise biphasée, l'installateur a la responsabilité et l'obligation de la remplacer par une prise triphasée correctement mise à la terre. N'utilisez pas d'adaptateur.

Le réfrigérateur doit toujours être branché à sa propre prise électrique d'une tension nominale correspondant à celle indiquée sur sa plaque signalétique.

Une alimentation électrique à 115 volts CA, 60 Hz, avec un fusible de 15 ou 20 ampères et une mise à la terre est nécessaire. Ceci permet d'obtenir un meilleur rendement et évite de surcharger les circuits électriques du domicile qui risque d'occasionner un incendie en surchauffant.

Ne débranchez jamais le réfrigérateur en tirant sur le cordon d'alimentation. Prenez toujours fermement la fiche en main et tirez pour la sortir de la prise.

Cessez immédiatement d'utiliser un cordon électrique endommagé. Si le cordon électrique est endommagé, son remplacement doit être effectué par un technicien en réparation qualifié au moyen d'un cordon de rechange autorisé par le fabricant.

Lorsque vous éloignez votre réfrigérateur du mur, faites attention à ne pas le faire rouler sur le cordon d'alimentation afin de ne pas l'endommager.

### MISE AU REBUT APPROPRIÉE DE VOTRE ANCIEN RÉFRIGÉRATEUR

#### ⚠ AVERTISSEMENT

#### RISQUE DE SUFFOQUER OU D'Y ÊTRE EMPRISONNÉ

Le non-respect de ces instructions d'élimination peut entraîner la mort ou des blessures graves.

**IMPORTANT:** Les enfants pris au piège ou morts d'asphyxie sont toujours d'actualité. Les réfrigérateurs et congélateurs abandonnés sont toujours aussi dangereux, même si on n'attend que «quelques jours» pour s'en débarrasser. Si vous ne gardez pas votre ancien réfrigérateur ou congélateur, veuillez suivre les directives ci-dessous afin de prévenir les accidents.

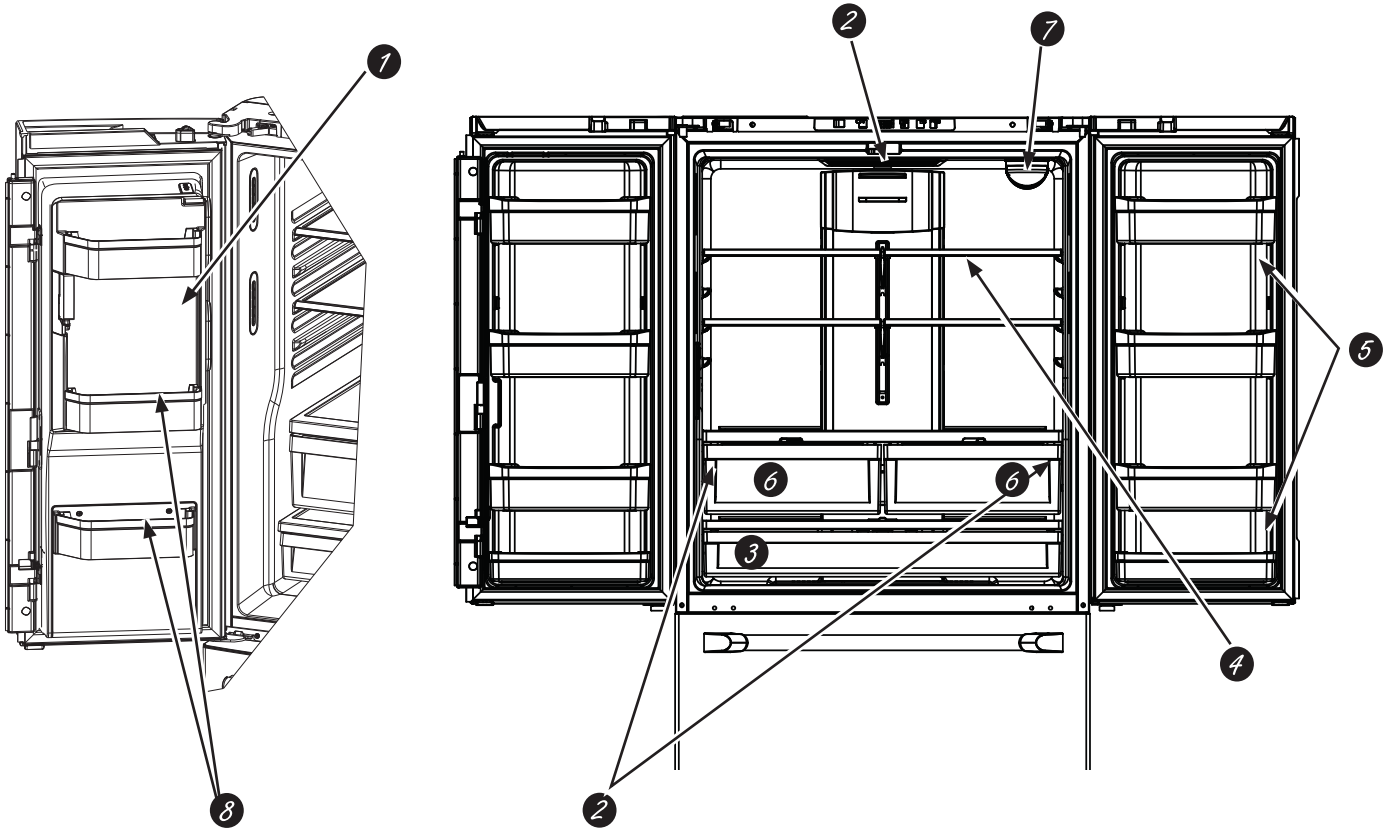
**Avant de vous débarrasser de votre ancien appareil :**

- Démontez les portes du compartiment de réfrigération et du compartiment de congélation.
- Laissez les clayettes en place afin d'empêcher les enfants de grimper à l'intérieur.

#### Mise au rebut des produits réfrigérants et en mousse

Mettez l'électroménager au rebut conformément à la réglementation fédérale et locale. Les matières isolantes inflammables utilisées exigent des procédures de mise au rebut spéciales. Communiquez avec les autorités locales pour connaître la façon de mettre votre électroménager au rebut qui soit respectueuse de l'environnement.

## LIRE ET CONSERVER CES INSTRUCTIONS



**1 Machine à glaçons à faible encombrement (certains modèles)**

La machine à glaçons et le balconnet sont situés sur la porte pour offrir plus d'espace de rangement.

**2 Éclairage DEL**

Les lampes DEL du compartiment réfrigérateur sont situées dans le centre supérieur et sur les côtés gauche et droit des bacs climatisés. Des lampes DEL sont aussi situées dans le congélateur; voir les pages 13 et 14.

**3 Tiroir pleine largeur**

Un tiroir pleine largeur pouvant recevoir des articles de taille supérieure est situé dans le bas du compartiment réfrigérateur.

**4 Tablette QuickSpace™ (certains modèles)**

Elle sert de tablette pleine grandeur au besoin et se glisse aisément pour ranger des articles longs en dessous.

**5 Balconnets amovibles/réglables**

On peut les déplacer vers le haut ou le bas pour répondre à vos besoins.

**6 Tiroirs climatisés**

Bacs séparés pour le rangement des fruits et légumes frais.

**7 Filtre d'eau**

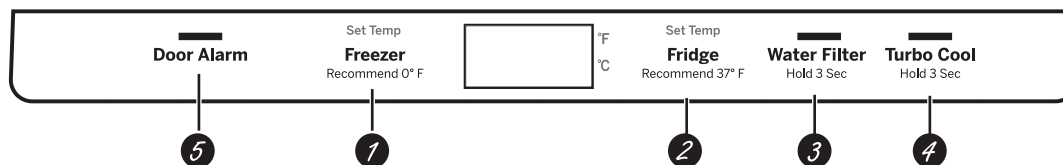
Accessible pour faciliter le remplacement.

**8 Tapete Antideslizante**

Revestimiento que captura los derrames, evita el desplazamiento de los envases cuando la puerta es abierta y se puede retirar fácilmente para su limpieza.

## Commandes

### Panneau de commande supérieur **CWE19S**



- 1** **Commande de température du compartiment congélateur**  
 Cette commande sert à régler la température du congélateur. La température est pré réglée à l'usine à la valeur **0 °F (-17,8 °C)**. Allouez 24 heures pour stabiliser la température à la valeur pré réglée.
- 2** **Commande de température du compartiment réfrigérateur**  
 Cette commande sert à régler la température du compartiment réfrigérateur. La température est pré réglée à l'usine à la valeur **37 °F (2,8 °C)**. Allouez 24 heures pour stabiliser la température à la valeur pré réglée.
- 3** **Filtre d'eau**  
 Pressez la touche durant 3 secondes pour réinitialiser le filtre d'eau.
- 4** **Fonction Turbo Cool**  
 Pour activer la fonction **TurboCool™**, pressez cette touche durant 3 secondes. L'affichage indiquera **tc**. Cette fonction refroidit rapidement le compartiment réfrigérateur et ainsi les aliments qui s'y trouvent. Utilisez **TurboCool™** lorsque vous ajoutez une grande quantité d'aliments dans le compartiment réfrigérateur, des aliments qui ont reposé à température ambiante ou encore des restes de table tièdes. Cette fonction peut aussi servir en cas d'interruption de courant sur une longue période.

**REMARQUE :** Lorsque **TurboCool™** est en fonction, le réglage de la température du réfrigérateur ne peut pas être changé, la température du congélateur reste la même et les ventilateurs continuent de tourner à l'ouverture de la porte s'ils ont été activés.

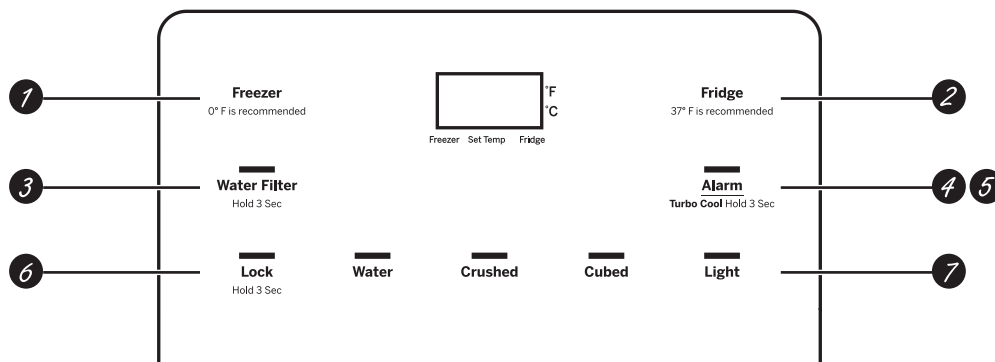
- 5** **Alarme de Porte**  
 Pressez la touche **Door Alarm** (alarme de porte) pour activer cette fonction. L'alarme sonnera si l'une des portes reste ouverte plus de 2 minutes. La sonnerie cesse à la fermeture de la porte.

**REMARQUE :** Pour mettre le panneau de commande du réfrigérateur en position **OFF** (arrêt), pressez simultanément les mots **Freezer** (congélateur) et **Fridge** (réfrigérateur) durant 3 secondes. Aucun réglage du panneau de commande ne permet de couper l'alimentation électrique au réfrigérateur.

**Basculer entre °F et °C ou °C et °F :** Maintenez une pression sur les boutons **FREEZER** (congélateur) et **ALARM** (alerte) simultanément durant 5 secondes pour choisir entre °C et °F ou °F et °C.

**REMARQUE :** Le réfrigérateur est livré avec une pellicule protectrice recouvrant les commandes de température. Si cette pellicule n'a pas été retirée lors de l'installation, faites-le maintenant.

## Panneau de commande extérieur CFE26K



### 1 Commande de température du compartiment congélateur

Cette commande sert à régler la température du congélateur. La température est pré-réglée à l'usine à la valeur **0 °F (-17,8 °C)**. Allouez 24 heures pour stabiliser la température à la valeur pré-réglée.

### 2 Commande de température du compartiment réfrigérateur

Cette commande sert à régler la température du compartiment réfrigérateur. La température est pré-réglée à l'usine à la valeur **37 °F (2,8 °C)**. Allouez 24 heures pour stabiliser la température à la valeur pré-réglée.

### 3 Filtre d'eau

Pressez la touche durant 3 secondes pour réinitialiser le filtre d'eau.

### 4 Fonction Turbo Cool

Pour activer la fonction **TurboCool™**, pressez la touche Alarm (alarme de porte) durant 3 secondes. L'affichage indiquera **tc**.

Cette fonction refroidit rapidement le compartiment réfrigérateur et ainsi les aliments qui s'y trouvent. Utilisez **TurboCool™** lorsque vous ajoutez dans le compartiment réfrigérateur : une grande quantité d'aliments; des aliments qui ont reposé à température ambiante; ou encore des restes de table tièdes. Cette fonction peut aussi servir en cas d'interruption de courant sur une longue période.

**REMARQUE :** Lorsque **TurboCool™** est en fonction, le réglage de la température du réfrigérateur ne peut pas être changé, la température du congélateur reste la même et les ventilateurs continuent de tourner à l'ouverture de la porte s'ils ont été activés.

### 5 Alarme de porte

Pressez la touche **Alarm** (alarme de porte) pour activer ou désactiver cette fonction. L'alarme sonnera si l'une des portes reste ouverte plus de 2 minutes. La sonnerie cesse à la fermeture de la porte.

### 6 Verrouillage

Pressez la touche **Lock** (verrouillage) durant 3 secondes pour verrouiller le distributeur de glaçons et d'eau, ainsi que toutes les autres commandes. Pressez de nouveau durant 3 secondes pour déverrouiller les commandes.

### 7 Lampe DEL du distributeur

Pressez la touche **Light** (lampe) pour allumer ou éteindre la lampe du distributeur.

**REMARQUE :** Pour mettre le panneau de commande du réfrigérateur en position **OFF** (arrêt), pressez simultanément les mots **Freezer** (congélateur) et **Fridge** (réfrigérateur) durant 3 secondes. Aucun réglage du panneau de commande ne permet de couper l'alimentation électrique au réfrigérateur.

**Basculer entre °F et °C ou °C et °F :** Maintenez une pression sur les boutons **FREEZER** (congélateur) et **ALARM** (alerte) simultanément durant 5 secondes pour choisir entre °C et °F ou °F et °C.

**REMARQUE :** Le réfrigérateur est livré avec une pellicule protectrice recouvrant les commandes de température. Si cette pellicule n'a pas été retirée lors de l'installation, faites-le maintenant.

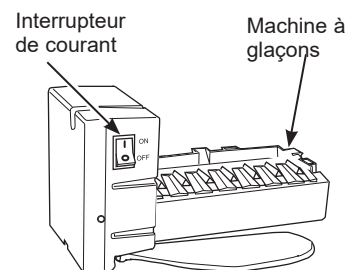
## Modes Sabbath (certains modèles)

### Commandes pour le modèles CWE19S

- Maintenez une pression sur les boutons **DOOR ALARM** (alarme de porte) et **WATER FILTER** (filtre à eau) simultanément durant 5 secondes pour entrer/quitter le mode Sabbath.
- La machine à glaçons doit être mise en arrêt manuellement durant le mode Sabbath. Mettez l'interrupteur à **OFF** (arrêt). Pour remettre la machine en marche, mettez l'interrupteur à **ON** (marche).

### Commandes pour le modèle CFE26K

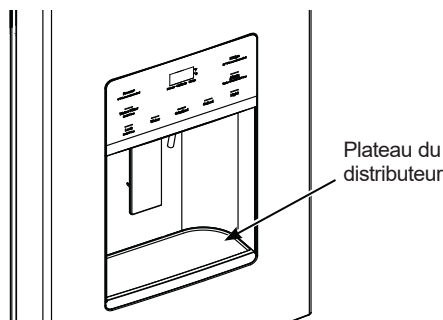
- Maintenez une pression sur les boutons **LOCK** (verrouiller) et **LIGHT** (lampe) simultanément durant 5 secondes pour entrer/quitter le mode Sabbath.
- La machine à glaçons doit être mise en arrêt manuellement durant le mode Sabbath. Mettez l'interrupteur à **OFF** (arrêt). Pour remettre la machine en marche, mettez l'interrupteur à **ON** (marche).



## Distributeur (certains modèles)

### Distributeur d'eau et de glaçons

(Voir la section Commandes)



Appuyez le verre délicatement contre le berceau du distributeur.

La tablette antidébordement ne se draine pas automatiquement. Pour réduire les taches d'eau, elle doit être nettoyée régulièrement.

Il se peut que de l'air soit présent dans la conduite d'eau si la distribution d'eau n'a pas eu lieu à la première installation du réfrigérateur. Appuyez sur la palette du distributeur durant au moins cinq minutes pour expulser l'air de la conduite et remplir le système d'eau. Pour expulser les impuretés de la conduite, jetez les premiers six verres d'eau.

#### ⚠ CAUTION Risque de lacération

- Ne mettez jamais les doigts ni d'autres objets dans l'orifice de sortie du broyeur de glace. Sinon, le risque de contact avec les lames ou un fil sous tension peut causer des blessures pouvant mener à l'amputation.
- Utilisez un verre robuste qui résiste à la distribution de glace. Un verre délicat peut se briser et causer des blessures.

#### Pour retirer le plateau du distributeur

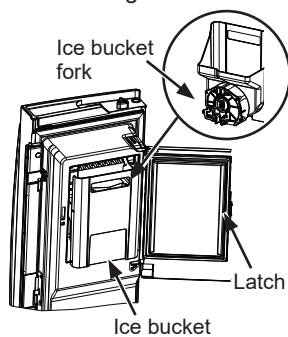
- Tirez sur le plateau en ligne droite.

#### Pour remettre le plateau en place

- Poussez-le jusqu'à ce qu'il repose fermement en place.

### Bac à glace dans la porte

1. Ouvrez la porte gauche du compartiment réfrigérateur.
2. Poussez sur le loquet vers le bas pour dégager le panneau d'accès du bac.
3. En agrippant la prise, soulevez puis sortez le bac à glace de façon à dépasser les repères dans le bas du bac.
4. Pour replacer le bac à glace, placez-le sur les supports des guides et poussez-le jusqu'à ce qu'il repose correctement en place.
5. Si la remise en place du bac est impossible, tournez la fourchette du bac sur  $\frac{1}{4}$  de tour dans le sens des aiguilles d'une montre.



### Distributeur d'eau intérieur

(certains modèles)

Le distributeur d'eau est situé sur la paroi gauche à l'intérieur du compartiment réfrigérateur.

#### Pour distribuer l'eau :

1. Maintenez le verre dans le renforcement.
2. Poussez le bouton du distributeur.
3. Gardez le verre sous le distributeur durant 2 à 3 secondes après le relâchement du bouton car de l'eau peut continuer à l'écouler.



Il se peut que de l'air soit présent dans la conduite d'eau si la distribution d'eau n'a pas eu lieu à la première installation du réfrigérateur. Appuyez sur le bouton du distributeur durant au moins 5 minutes pour expulser l'air de la conduite et remplir le système d'eau. Pendant ce processus, un bruit peut se faire entendre lors de l'expulsion d'air. Pour expulser les impuretés de la conduite, jetez les premiers 6 verres d'eau.

**REMARQUE :** Pour prévenir les dépôts, le distributeur doit être essuyé régulièrement à l'aide d'un linge ou d'une éponge propre.

### Renseignements importants concernant votre distributeur

- N'ajoutez pas dans le bac des glaçons provenant d'un moule ou d'un sac de glaçons du commerce car ils peuvent être difficiles à concasser ou à distribuer.
- Évitez de trop remplir les verres de glaçons et d'utiliser des verres étroits. La glace refoulée peut bloquer la glissière ou son volet. Si des glaçons bloquent la glissière, retirez le bac et débloquez la glissière au moyen d'une cuillère en bois.
- Ne placez pas de boissons ni d'aliments dans le bac à glace pour les rafraîchir. Les boîtes, bouteilles et paquets alimentaires peuvent bloquer la machine à glaçons ou la vis sans fin.
- Pour être certain de viser la glace dans le verre, placez celui-ci près de l'orifice du distributeur, sans y toucher.
- De la glace concassée peut tomber dans le verre malgré la sélection de l'option CUBED ICE (glaçons). Cela se produit à l'occasion lorsque quelques glaçons sont dirigés par erreur vers le broyeur.
- Après la distribution de glace concassée, de l'eau peut s'écouler de la glissière.
- Un amas de givre se forme parfois sur le volet de la glissière. Ceci est normal et se produit généralement après des distributions répétées de glace concassée.



# Filtre d'eau à cartouche - XWF (certains modèles)

## FILTRE D'EAU À CARTOUCHE

Le support du filtre d'eau à cartouche est situé dans le coin supérieur arrière droit du compartiment réfrigérateur.

## QUAND REMPLACER LE FILTRE

Si le distributeur est doté d'un indicateur de remplacement de filtre, un voyant de filtre rouge commencera à clignoter pour vous signaler la nécessité de remplacer le filtre bientôt.

- Sur les modèles à commande extérieure, le voyant de filtre clignotera pendant la distribution jusqu'à ce que le filtre soit remplacé.
- Sur les modèles à commande supérieure, le voyant de filtre clignotera lorsque la porte est ouverte jusqu'à ce que le filtre soit remplacé.

Sur les modèles qui ne sont pas dotés d'un voyant, le filtre à cartouche doit être remplacé tous les six mois, ou plus tôt si le débit d'eau du distributeur ou de la machine à glaçons diminue.

## RETRAIT DU FILTRE À CARTOUCHE

Si vous remplacez le filtre, retirez d'abord le précédent:

1. Ouvrez le boîtier du filtre à cartouche en pressant les deux languettes frontales puis tirant avec soin vers le bas.
2. Tournez le filtre vers le bas.
3. Agrippez avec soin le filtre et tournez-le dans le sens contraire des aiguilles sur environ ¼ de tour. Le filtre devrait se libérer automatiquement une fois tourné suffisamment vers la gauche. Une petite quantité d'eau pourrait dégoutter.

### ⚠ ATTENTION

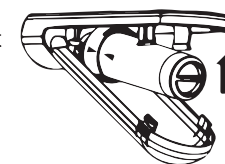
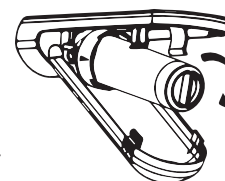
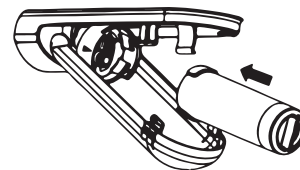
Lors de son retrait, le filtre à cartouche risque d'être éjecté si de l'air est emprisonné dans le système. Veuillez user de prudence.

## BOUCHON DE DÉRIVATION DU FILTRE

Pour réduire le risque de dommage à la propriété en raison de fuites d'eau, vous **DEVEZ** utiliser un bouchon de dérivation du filtre lorsqu'une cartouche filtrante de rechange n'est pas disponible. Certains modèles ne sont pas équipés d'un bouchon de dérivation de filtre. Pour en obtenir un gratuitement, visitez le [cafeappliances.com/service](http://cafeappliances.com/service). Au Canada, visitez le [cafeappliances.ca/service](http://cafeappliances.ca/service). Le distributeur et la machine à glaçons ne fonctionneront pas sans que ne soient installés le filtre ou le bouchon de dérivation. Le bouchon de dérivation s'installe de la même manière que la cartouche filtrante.

## INSTALLATION DU FILTRE DANS UN RÉFRIGÉRATEUR À CONGÉLATEUR INFÉRIEUR

1. Ouvrez le boîtier du filtre à cartouche en pressant les deux languettes frontales puis tirant avec soin vers le bas.
2. Alignez les orifices du filtre sur ceux du support de filtre à cartouche, puis insérez le filtre avec soin.
3. Tournez le filtre lentement vers la droite jusqu'au bout. **NE SERREZ PAS EXCESSIVEMENT.** Le filtre prendra automatiquement sa position à mesure que vous le tournez. Le filtre se déplacera sur environ ¼ de tour ou 90 degrés, jusqu'à ce que la flèche sur le filtre s'aligne sur celle du support de filtre.
4. Poussez lentement le filtre vers le haut dans les agrafes.
5. Fermez le boîtier du filtre en poussant avec soin le couvercle vers le haut jusqu'à ce que les languettes se verrouillent en place.
6. Faites circuler environ 2 gallons (7,6 litres) ou durant 5 minutes d'eau pour nettoyer le système. De l'eau peut gicler et des bulles d'air peuvent être visibles pendant le processus. Si l'eau ne circule pas, assurez-vous que le filtre est complètement tourné vers la droite.
7. Maintenez une pression sur la touche RESET WATER FILTER (réinitialisation du filtre à eau) (certains modèles seulement) du distributeur durant trois secondes.



## Conditions d'application/Paramètres d'alimentation d'eau

Débit de service	0,5 g/min (1,89 l/min)
Alimentation d'eau	Eau potable
Pression d'eau	25-120 psi (172-827 kPa)
Température d'eau	33°F-100°F (0,6 °C-38 °C)
Capacité	170 gallons (643,5 litres)

Inscrivez-vous pour des **RAPPELS DE TEXTE** en textant **REPLACE** au **70543**.

### ⚠ AVERTISSEMENT

Pour réduire le risque d'étouffement pendant l'installation de ce produit, ne pas laisser les petites pièces à la portée des enfants âgés de moins de 3 ans. La cartouche de filtre jetable doit être remplacée tous les 6 mois, si sa capacité nominale est atteinte ou si une réduction notable du débit est observée.

Pour les meilleurs résultats de votre système de filtration, GE Appliances, a Haier company, recommande l'utilisation de filtres de marque GE Appliances seulement. L'utilisation de filtres de marque GE Appliances dans les réfrigérateurs CAFE procure les meilleurs rendement et fiabilité. Les filtres nous satisfont aux rigoureuses normes NSF de l'industrie relatives à la sûreté et la qualité, facteur important pour les produits qui filtrent votre eau. Il n'y a pas de certitude que les marques de filtre autres GE Appliances satisferont nos normes de qualité, de rendement et de fiabilité.

Pour toute question ou pour commander des cartouches filtrantes de rechange, visitez notre site Web au [cafeappliances.ca/service](http://cafeappliances.ca/service) ou consultez les pages jaunes pour identifier le Centre de service Camco le plus près.

## Tablettes et balconnets

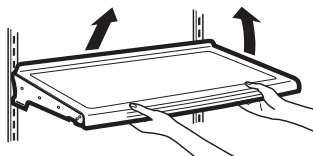
Toutes les caractéristiques ne sont pas disponibles sur tous les modèles.

### Disposition des tablettes du réfrigérateur

Les tablettes du compartiment réfrigérateur sont réglables.

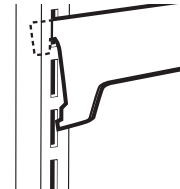
#### Pour retirer les tablettes :

1. Pour retirer les tablettes :
2. Soulevez la tablette à l'avant.
3. Soulevez la tablette à l'arrière et faites-la sortir.



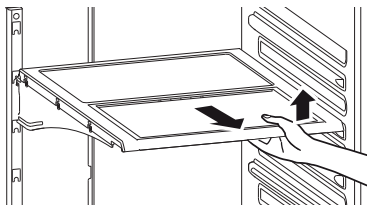
#### Pour replacer les tablettes :

1. En soulevant la tablette à l'avant, insérez le crochet supérieur à l'arrière de la tablette dans une fente du rail.
2. Abaissez le devant de la tablette jusqu'à ce que le bas de la tablette se fixe en place.



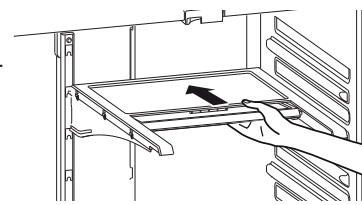
### Tablette Quick Space (certains modèles)

Cette tablette se sépare en deux moitiés dont l'une se glisse sous l'autre pour permettre le rangement d'articles en hauteur sur la tablette du dessous.



Cette tablette peut s'enlever pour remise en place ou repositionnement.

**REMARQUE :** La moitié arrière de la tablette Quick Space n'est pas réglable.

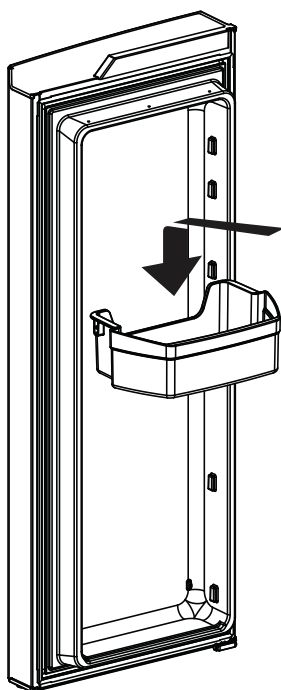


### Balconnets réglables (certains modèles)

**Pour retirer :** Soulevez l'avant du balconnet en ligne droite, puis sortez-le.

**Pour replacer :** Engagez le balconnet dans les supports moulés de la porte et poussez vers le bas pour verrouiller en place.

Les balconnets sont dotés de coussinets qui recueillent les renversements, maintiennent les contenants en place à l'ouverture de la porte et se retirent aisément pour le nettoyage.



# Bacs

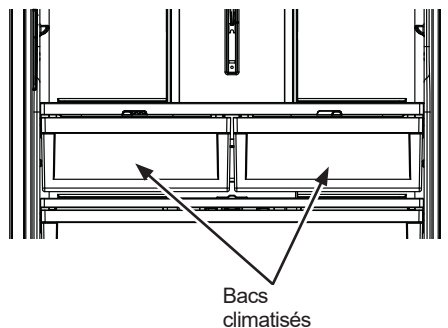
Toutes les caractéristiques ne sont pas disponibles sur tous les modèles.

## Bacs climatisés

Conservez les fruits et les légumes dans des compartiments séparés pour faciliter l'accès. On doit essuyer l'excédent d'humidité pouvant s'accumuler dans le fond ou le dessous des tiroirs.

### Pour retirer un bac :

Glissez le bac vers l'extérieur jusqu'à ce qu'il s'arrête, soulevez-le vers le haut en dépassant la position d'arrêt puis tirez-le vers l'avant.



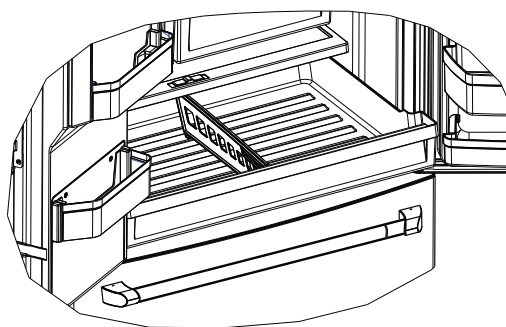
## Bac pleine largeur (certains modèles)

### Pour retirer le bac :

1. Tirez le bac vers l'extérieur jusqu'à la position d'arrêt.
2. Soulevez l'avant du tiroir puis tirez-le vers l'extérieur.

### Pour replacer le bac :

1. Placez d'abord l'arrière du tiroir puis faites pivoter l'avant vers le bas pour le déposer sur les glissières.
2. Poussez le tiroir au fond jusqu'à la position fermée.



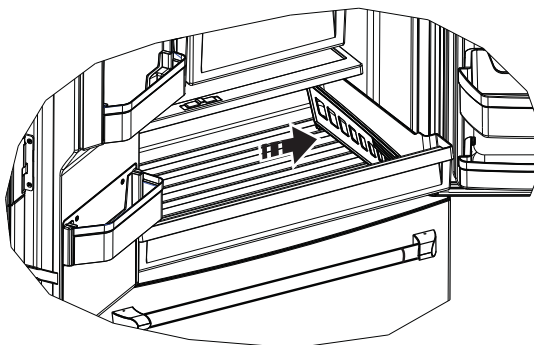
## Retirer et remplacer le séparateur de tiroir

### Pour retirer :

1. Tirez le tiroir vers l'extérieur jusqu'à la position d'arrêt.
2. Glissez le séparateur vers la droite pour le sortir du bac.

### Pour replacer :

Inversez les étapes 1 et 2 pour replacer le séparateur.



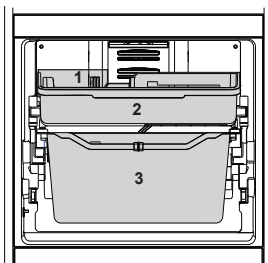
# Tiroir du congélateur (certains modèles)

Toutes les caractéristiques ne sont pas disponibles sur tous les modèles.

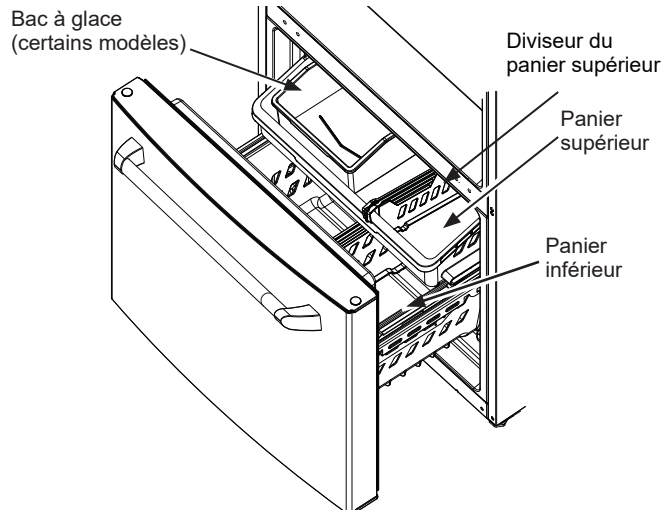
## PANIER DU CONGÉLATEUR

1. Un bac à glace dans le panier supérieur (certains modèles).
2. Un panier pleine largeur supérieur.
3. Un panier pleine largeur inférieur (avec séparateur – certains modèles).

**REMARQUE :** Ne remplissez pas les paniers au-delà de leur bord. Ils pourraient se coincer en les ouvrant ou fermant.



L'aspect et les caractéristiques peuvent varier



## Retrait du panier supérieur

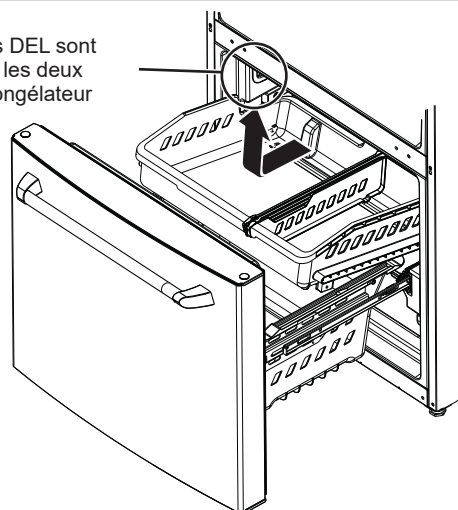
**Pour retirer le panier pleine largeur supérieur sur les modèles à tiroir de congélateur :**

1. Tirez le panier vers l'extérieur jusqu'à la position d'arrêt.
2. Soulevez le panier pour le dégager des glissières.

**Lors de la remise en place du panier,** assurez-vous que celui-ci est bien monté sur les rails latéraux, par-dessus les glissières du panier inférieur.

**REMARQUE :** Assurez-vous de toujours fermer ce panier à fond.

Les lampes DEL sont situées sur les deux côtés du congélateur



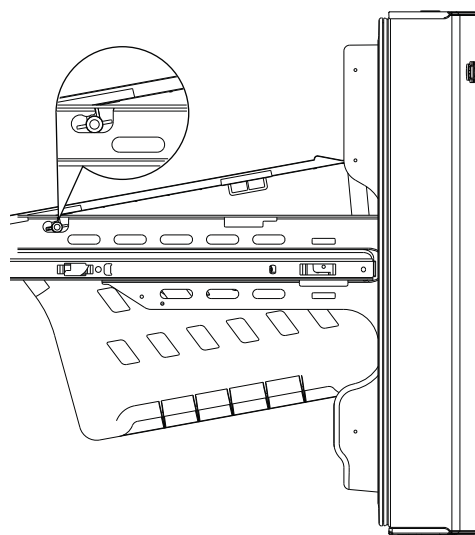
## Retrait du panier inférieur

**Pour retirer le panier pleine largeur inférieur sur les modèles à tiroir de congélateur :**

1. Tirez le panier vers l'extérieur jusqu'à ce qu'il s'arrête.
2. Retirez le panier de congélateur supérieur.
3. Le panier de congélateur inférieur repose sur les languettes intérieures des glissières du tiroir.
4. Soulevez l'avant du panier et tirez vers l'avant.
5. Dégagez la tige de la fente pour sortir le panier.

**Lors de la remise en place du panier pleine largeur inférieur,** penchez celui-ci vers le bas puis baissez-le dans le tiroir. Faites pivoter le panier en position horizontale puis poussez-le vers le bas. Assurez-vous de replacer la tige dans la fente.

**REMARQUE :** Veillez toujours à ce que le panier repose sur les languettes du support avant de le glisser dans le congélateur.



# Machine à glaçons automatique

Un réfrigérateur nouvellement installé prendra de 12 à 24 heures pour commencer à fabriquer de la glace.

## Machine à glaçons automatique (certains modèles)

La machine à glaçons produira sept cubes par cycle, soit environ 100 à 130 cubes pendant une période de 24 heures, selon la température du congélateur, la température ambiante, le nombre d'ouvertures de porte et d'autres conditions d'emploi.

Si l'on se sert du réfrigérateur avant de raccorder l'alimentation d'eau à la machine à glaçons, mettez l'interrupteur de courant à la position OFF (arrêt).

Une fois le réfrigérateur raccordé à l'alimentation d'eau, mettez l'interrupteur de courant à la position ON (marche).

La machine à glaçons se remplit d'eau lorsqu'elle se refroidit à 15 °F (-10 °C). Un réfrigérateur nouvellement installé prendra de 12 à 24 heures pour commencer à fabriquer de la glace.

Un bourdonnement peut se faire entendre à chaque fois que la machine se remplit d'eau.

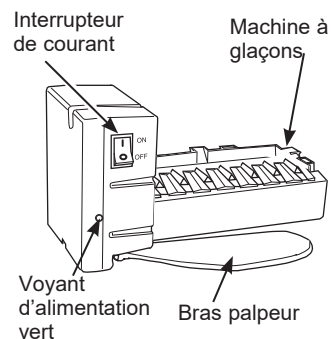
Jetez les premiers lots de glace pour permettre à la conduite d'eau de se nettoyer.

Assurez-vous que rien ne gêne le mouvement du bras palpeur.

Lorsque le bac se remplit au niveau du bras palpeur, la machine cesse de produire de la glace. Il est normal que des cubes s'agglutinent.

Si la glace n'est pas utilisée souvent, les vieux cubes deviendront opaques et rétrécis, et leur goût, insipide.

**REMARQUE :** Dans les maisons où la pression est inférieure à la normale, vous entendrez la machine à glaçons démarrer plusieurs



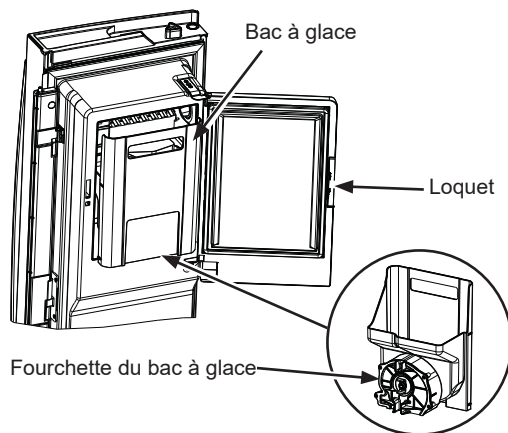
### ATTENTION

Pour réduire le risque de blessure, évitez de toucher les pièces mobiles du mécanisme de la machine à glaçons ainsi que l'élément chauffant qui libère les cubes. Ne placez ni les doigts ni les mains sur le mécanisme de la machine à glaçons lorsque le réfrigérateur est branché.

## Modèles de réfrigérateur équipés d'une machine à glaçons dans la porte

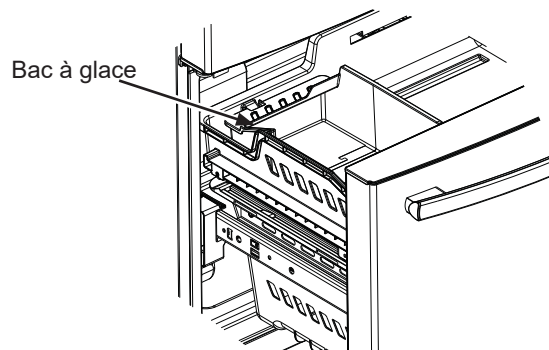
### Bac à glace et distributeur

- Ouvrez le panneau d'accès de la boîte à glace sur l'intérieur de la porte gauche.
- Soulevez et sortez le bac à glace de la porte gauche pour le sortir du compartiment.
- Pour replacer le bac, placez-le sur les supports et poussez-le jusqu'à ce qu'il repose correctement en place.
- Si la remise en place est impossible, tournez la fourchette du bac sur  $\frac{1}{4}$  de tour dans le sens des aiguilles d'une montre.
- On peut allumer et éteindre la machine à glaçons à l'aide des commandes (voir la section Commandes aux pages 6 et 7).



## Modèles de réfrigérateur équipés d'une machine à glaçons dans le compartiment congélateur

Certains modèles sont livrés avec la machine à glaçons déjà installée dans le compartiment congélateur. L'ensemble de machine à glaçons IM4D est offert pour les modèles conçus pour en recevoir, visitez notre site Web au [cafeappliances.com](http://cafeappliances.com) (Au Canada, visitez notre site Web au [cafeappliances.ca/parts](http://cafeappliances.ca/parts)). Du rangement pour la glace se trouve du côté gauche du panier supérieur du congélateur. Tirez le panier supérieur vers l'avant pour retirer le bac à glace.



# Entretien et nettoyage

## Nettoyage de l'extérieur

### Directives pour nettoyer les surfaces extérieures, les poignées de porte et les garnitures

UTILISER	NE PAS UTILISER
Linge ou éponge doux et propres	Linges abrasifs, éponges à récurer, tampons à récurer ou en laine d'acier.
Détergent doux dans eau chaude. Nettoyants pour acier inoxydable approuvés; visitez la boutique de pièces Café Appliances pour des nettoyants pour acier inoxydable approuvés : <a href="http://cafeappliances.ca/parts">cafeappliances.ca/parts</a>  On peut utiliser des nettoyants à base d'acide oxalique tels que Bar Keepers Friend Soft Cleanser™ pour éliminer la rouille de surface, le ternissement et les petites taches sur les surfaces en acier inoxydable seulement.	Poudres ou vaporisateurs abrasifs. Vaporisateurs pour fenêtres ou ammoniac. Nettoyants à base d'agrumes ou de plantes. Nettoyants acides ou à base de vinaigre. Nettoyants pour le four. Nettoyants qui contiennent de l'acétone (propanone). Tout nettoyant avec AVERTISSEMENT relatif au contact du plastique.

**REMARQUE :** Ne laissez PAS un nettoyant pour acier inoxydable venir au contact de pièces en plastique telles que garnitures, quincaillerie de poignée ou doublures. Si un contact non intentionnel d'un nettoyant avec une pièce en plastique survient, nettoyez la pièce en plastique avec une éponge et un détergent doux mélangé dans l'eau chaude.

## Nettoyage de l'intérieur

### Débranchez le réfrigérateur avant le nettoyage.

Si cela n'est pas commode, essorez le surplus d'humidité de l'éponge ou du linge avant de nettoyer autour des interrupteurs, des lampes et des commandes.

Utilisez une cire pour électroménagers sur la surface intérieure entre les portes.

Utilisez une solution d'eau chaude et de bicarbonate de soude (environ une cuillère à soupe ou 15 ml) dans 1 litre d'eau. Cette solution nettoie tout en neutralisant les odeurs. Rincez et essuyez pour sécher.

**ATTENTION** Évitez de nettoyer les tablettes ou les couvercles en verre à l'eau chaude lorsqu'ils sont froids car ils peuvent éclater suite à un choc ou un écart de température soudain. Le verre trempé est conçu pour éclater en très petites pièces s'il se brise

## Derrière le réfrigérateur

Prenez un soin particulier lorsque vous éloignez le réfrigérateur du mur. Tous les types de revêtement de sol peuvent être endommagés, en particulier ceux qui sont coussinés ou dont la surface est gaufrée.

Soulevez les pieds de nivellement situés dans le bas à l'avant du réfrigérateur.

Déplacez le réfrigérateur en ligne droite pour l'éloigner ou le repousser à sa place. Un mouvement latéral risque d'endommager le revêtement de plancher ou le réfrigérateur.

Abaissez les pieds de nivellement jusqu'à ce qu'ils touchent le sol.

**En poussant le réfrigérateur en place, veillez à ne pas le faire rouler sur le cordon d'alimentation ou la conduite d'eau.**

## Départ en vacances

Lorsque vous vous absentez durant une longue période, retirez les aliments et débranchez le réfrigérateur. Nettoyez l'intérieur avec une solution d'une cuillère à soupe (15 ml) de bicarbonate de soude par litre d'eau. Laissez les portes ouvertes.

Si la température risque de descendre sous le point de congélation, demandez à un technicien qualifié de vidanger la conduite d'eau afin de prévenir les dégâts sérieux causés par l'inondation.

- 1) Éteignez le réfrigérateur (pages 7 et 8) ou débranchez-le.
- 2) Videz le bac à glace.
- 3) Coupez l'alimentation d'eau.

**Si vous coupez l'alimentation d'eau, éteignez la machine à glaçons (p. 13).**

Au retour des vacances :

- 1) Remplacez le filtre à eau.
- 2) Faites circuler 8 litres d'eau par le distributeur d'eau froide (environ 5 minutes) pour nettoyer le système.

# Entretien et nettoyage

## Déménagement

À l'aide de ruban adhésif, immobilisez tous les éléments amovibles tels que tablettes et tiroirs pour éviter de les endommager.

Si vous utilisez un diable pour déplacer le réfrigérateur, ne laissez pas le devant ou l'arrière de l'appareil reposer contre le diable pour ne pas l'endommager.

Manipulez le réfrigérateur par ses côtés seulement.

Assurez-vous de maintenir le réfrigérateur debout pendant le déménagement.

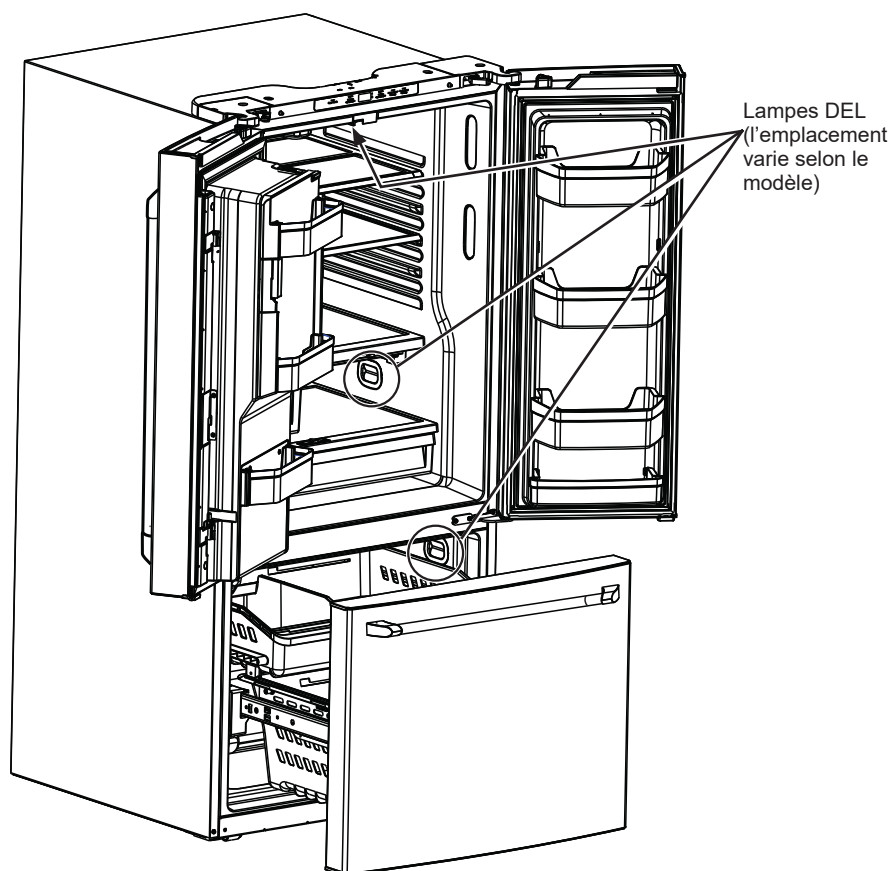
## Remplacement des lampes

L'éclairage DEL du compartiment réfrigérateur des modèles à deux portes est situé dans le centre supérieur et sur les côtés gauche et droit au-dessus des bacs climatisés. L'éclairage DEL des modèles à une porte est situé dans le haut du compartiment réfrigérateur.

Des lampes DEL sont aussi situées dans le haut des côtés gauche et droit du congélateur sur tous les modèles.

Un technicien agréé devra remplacer l'éclairage DEL.

Si cet assemblage doit être remplacé, planifiez une visite de service en ligne sur [cafeappliances.ca/service](http://cafeappliances.ca/service).



# Instructions d'installation

## Réfrigérateur

Des Questions ? Consultez notre site internet : [cafeappliances.ca](http://cafeappliances.ca)

### AVANT DE COMMENCER

Veuillez lire toutes les directives attentivement

- **IMPORTANT** — Conservez ces instructions pour l'inspecteur local. Respectez toutes les ordonnances et les codes locaux.
- **Note à l'installateur** – Assurez-vous de laisser ces instructions au consommateur.
- **Note au consommateur** – Conservez ces instructions pour référence future.
- **Niveau de compétence** – L'installation de cet appareil nécessite des compétences mécaniques de base.
- **Temps d'installation** – Installation du réfrigérateur 20 minutes  
Installation de la conduite d'eau - 30 minutes
- L'installateur est responsable de bien installer ce réfrigérateur.
- Toute panne du produit due à une mauvaise installation n'est pas couverte par la garantie

### PRÉPARATION

#### DÉPLACEMENT DU RÉFRIGÉRATEUR À L'INTÉRIEUR DE LA MAISON

**Si le réfrigérateur ne passe pas par la porte, vous pouvez enlever la porte du compartiment réfrigération et le tiroir du compartiment congélation.**

- Pour enlever la porte du compartiment réfrigération, consultez l'étape 1 de la section Changement du sens d'ouverture de la porte.
- Pour enlever le tiroir du compartiment congélation, consultez la section Retrait du tiroir du compartiment congélation.

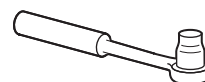
#### ALIMENTATION D'EAU DE LA MACHINE À GLAÇONS ET DU DISTRIBUTEUR

Si votre réfrigérateur est doté d'une machine à glaçons, la machine à glaçons doit être raccordée à une conduite d'eau froide. Vous pouvez acheter une trousse d'alimentation d'eau GE Appliances (contenant la tuyauterie, le robinet d'arrêt, les joints et les instructions) chez votre revendeur ou en vous adressant à notre site Web à l'adresse [cafeappliances.com/parts](http://cafeappliances.com/parts) (au Canada [cafeappliances.ca/parts](http://cafeappliances.ca/parts)).

### OUTILS DONT VOUS POUVEZ AVOIR BESOIN



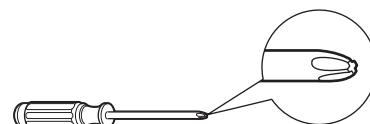
Clé réglable



Clé à douille 3/8 et 5/8 po



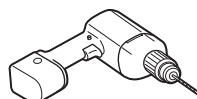
Écrou à compression d'un diamètre intérieur de 1/4 po et bague (modèles à machine à glaçons seulement)



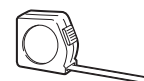
Tournevis cruciforme



Clé hexagonale 3/32, 1/8 et 3/16 po



Perceuse électrique ou manuelle et foret 1/8 po



Ruban à mesurer



Crayon



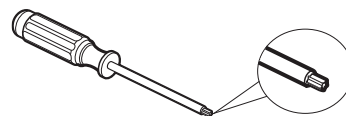
Tourne-écrou



Cisaille



Niveau

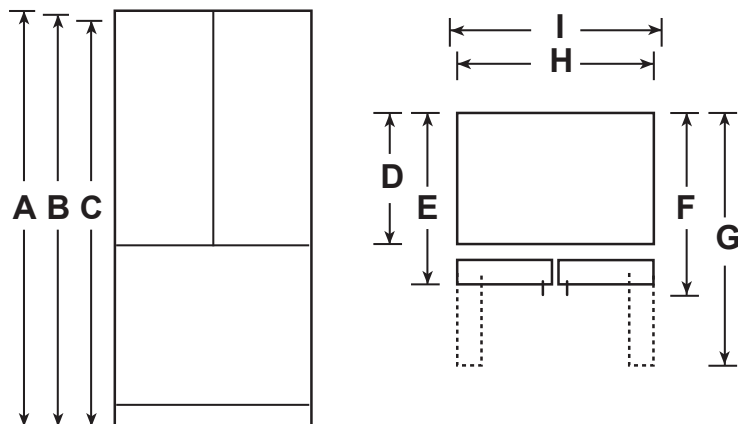


Tournevis Torx T20



# Instructions d'installation

## DIMENSIONS DE L'ÉLECTROMÉNAGER

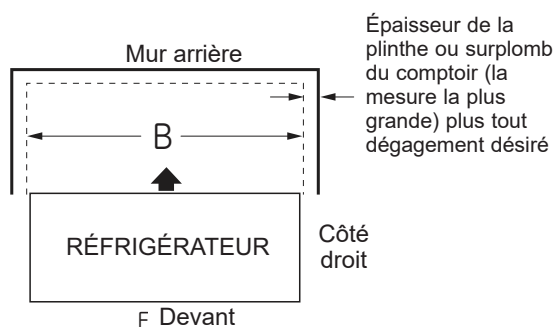


		CWE19S	CFE26K
DIMENSIONS HORS TOUT	Hauteur jusqu'au dessus de la porte (po) A	69-7/8	69-7/8
	Hauteur jusqu'au dessus de la charnière (po) B	69-3/4	69-3/4
	Hauteur jusqu'au dessus du caisson (po) C	68-5/8	68-5/8
	Profondeur du caisson sans porte (po) D	24-1/8	29-1/2
	Profondeur du caisson sans poignée de porte (po) E	29	33-7/8
	Profondeur du caisson avec poignée de porte (po) F	31-1/8	36-7/16
	Profondeur avec porte réfrigérateur ouverte à 90° (po) G	42	48-3/4
	Largeur (po) H	32-3/4	35-5/8
	Largeur avec porte ouverte à 90° avec poignée de porte (po) I	41	43-13/16

### MESUREZ L'OUVERTURE DANS L'ARMOIRE SELON LA LARGEUR DU RÉFRIGÉRATEUR

Mesurez B, la largeur de l'ouverture de l'armoire dans laquelle vous voulez mettre votre réfrigérateur.

Assurez-vous de tenir compte de tout surplomb du comptoir, de l'épaisseur de la plinthe et de tout dégagement désiré. La largeur B ne doit pas être inférieure à 33-36 pouces (83,3 cm - 91,4 cm) (selon le modèle). Vous devez placer le réfrigérateur approximativement au milieu de cette ouverture.



# Instructions d'installation

## INSTALLATION DU RÉFRIGÉRATEUR

### EMPLACEMENT DU RÉFRIGÉRATEUR

- N'installez pas votre réfrigérateur dans un emplacement où la température ambiante sera inférieure à 16° C (60° F). Il ne se mettra pas en marche suffisamment souvent pour maintenir des températures convenables.
- N'installez pas votre réfrigérateur dans un emplacement où la température ambiante sera supérieure à 37° C (100° F). Il ne fonctionnera pas bien.
- N'installez pas votre réfrigérateur à un endroit exposé à l'eau (pluie, etc.) ou aux rayons directs du soleil.
- Installez votre réfrigérateur sur un plancher suffisamment solide pour le porter lorsqu'il est plein.

### DÉGAGEMENTS

Prévoyez les dégagements suivants pour faciliter l'installation, la bonne circulation d'air et les raccordements de plomberie et d'électricité :

Côtés	3 mm (1/8 po)	
Dessus	25 mm (1 po)	Armoire/Couvercle de charnière
Arrière	50 mm (2 po)	

### REMARQUES IMPORTANTES

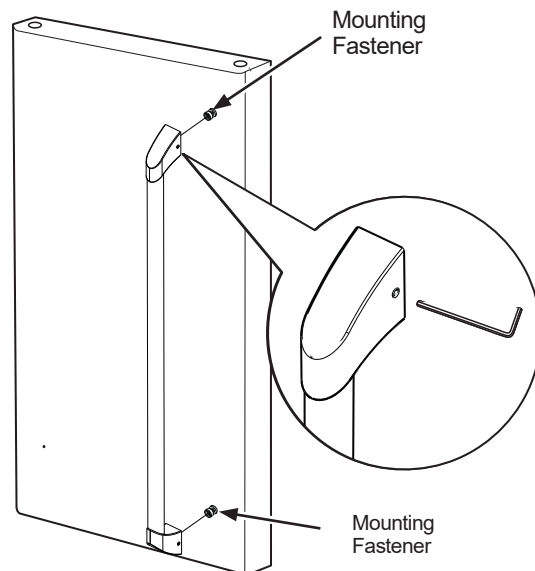
Ce réfrigérateur sans les poignées mesure de 86,4 cm à 89,5 cm (33-7/8 à 35-1/4 po) selon votre modèle (voir la dimension E à la page précédente). Les portes et les passages menant à l'emplacement final de l'installation doivent mesurer au moins 91,4 cm (36 po) afin de laisser les portes fixées au réfrigérateur lors de son déplacement vers sa destination. Si les passages mesurent moins de 91,4 cm (36 po), les portes du réfrigérateur peuvent facilement être rayées ou autrement endommagées. Les portes peuvent s'enlever pour permettre le transport à l'intérieur en toute sûreté.

- Si vous devez enlever une porte d'un modèle à deux portes, reportez-vous à la section Enlèvement des portes d'un modèle à deux portes.
- Pour enlever la porte du congélateur sur un modèle doté d'un tiroir de congélateur, reportez-vous à la section Enlèvement du tiroir du congélateur.
- S'il n'est PAS nécessaire d'enlever les poignées et les portes, laissez le ruban et tous les matériaux d'emballage sur les portes jusqu'à l'emplacement final. Une fois le réfrigérateur en place, installez les poignées de porte (voir l'étape 1 et 2).
- **ENLÈVEMENT DU PATIN** : Faites basculer le réfrigérateur de chaque côté pour enlever le patin.
- **REMARQUE** : Utilisez un diable rembourré pour déplacer le réfrigérateur. Placez le réfrigérateur avec un de ses côtés contre le diable. Nous vous recommandons vivement d'utiliser DEUX PERSONNES pour déplacer le réfrigérateur et l'installer.

### 1 FIXATION DES POIGNÉES DU COMPARTIMENT RÉFRIGÉRATEUR

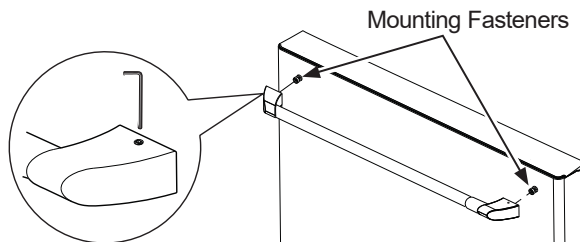
1. Desserrez les vis de serrage dans la poignée à l'aide de la clé hexagonale 1/8 po.
2. Placez la poignée au-dessus des fixations.
3. Serrez les vis de serrage.

Suivez la même procédure pour les deux portes.



### 2 FIXATION DES POIGNÉES DU CONGÉLATEUR

1. Desserrez les vis de serrage dans la poignée à l'aide de la clé hexagonale 1/8 po.
2. Placez la poignée au-dessus des fixations.
3. Serrez les vis de serrage.



# Instructions d'installation

## INSTALLATION DU RÉFRIGÉRATEUR (Suite)

### ENLÈVEMENT DES PORTES D'UN MODÈLE À DEUX PORTES

#### ⚠ AVERTISSEMENT

Suivez toutes les étapes lors du changement d'ouverture de la porte. La porte risque de tomber en plus de causer des blessures ou des dommages si vous ne respectez pas ces instructions, oubliez des pièces ou effectuez un serrage excessif des vis.

#### REMARQUES IMPORTANTES

Avant d'enlever les portes :

- Lisez les instructions jusqu'au bout avant de commencer.
- Les poignées sont incluses à l'intérieur du réfrigérateur.
- Placez les vis à proximité des pièces associées pour éviter de les utiliser aux mauvais endroits.
- Placez les portes sur une surface de travail qui ne les rayera pas.

#### ⚠ ATTENTION

#### Soulèvement de poids lourd.

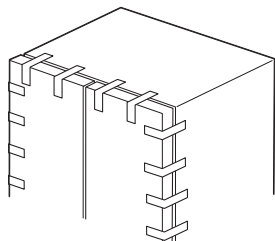
Une seule personne risque de se blesser à soulever un tel poids. Faites-vous aider lors de la manipulation, le déplacement et le soulèvement des portes de réfrigérateur.

**REMARQUE :** Lors du déplacement, déposez la porte à un endroit sûr qui n'abîmera ni la porte ni son électronique.

#### ⚠ AVERTISSEMENT

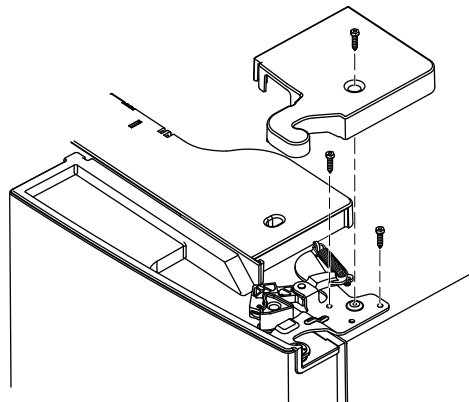
Pour éliminer le risque de choc électrique ou d'autres blessures pendant l'installation, vous devez d'abord débrancher le réfrigérateur avant de procéder. L'omission de suivre cette directive peut causer un choc électrique.

Immobilisez les portes fermées avec du ruban adhésif.



#### 1 ENLÈVEMENT DE LA PORTE DROITE

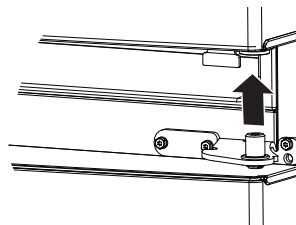
- A. Enlevez le couvercle de charnière dans le haut de la porte du compartiment réfrigérateur en retirant la vis à l'aide d'un tournevis cruciforme.



- B À l'aide d'une clé à douille 5/16 po, retirez les boulons qui fixent la charnière supérieure sur la carrosserie. Soulevez le support de charnière en ligne droite pour libérer l'axe de charnière de la douille dans le haut de la porte.

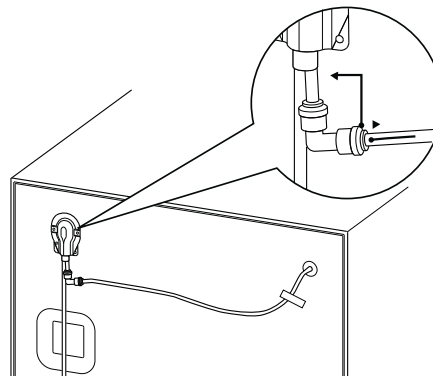
- C. Retirez le ruban de la porte droite et penchez la porte à l'écart de la carrosserie. Soulevez la porte pour la dégager de l'axe de charnière central.

- D. Déposez la porte sur une surface qui ne rayera pas la porte, intérieur vers le haut.



#### 2 ENLÈVEMENT DE LA PORTE GAUCHE

- A. Modèles avec distributeur d'eau et de glace seulement : Déconnectez la conduite d'eau à l'arrière du réfrigérateur et retirez tout le ruban qui fixe la conduite au réfrigérateur.

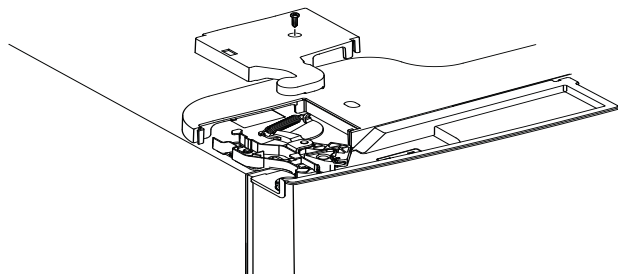


## Instructions d'installation

## INSTALLATION DU RÉFRIGÉRATEUR (Suite)

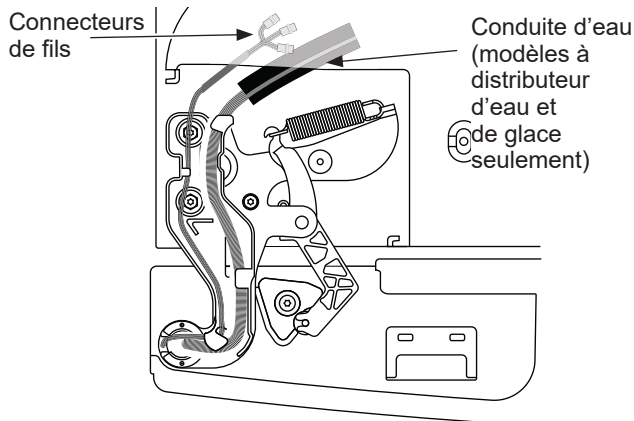
**2 ENLÈVEMENT DE LA PORTE GAUCHE (Suite)**

B. Enlevez le couvercle de charnière dans le haut de la porte gauche en retirant la vis à l'aide d'un tournevis cruciforme.

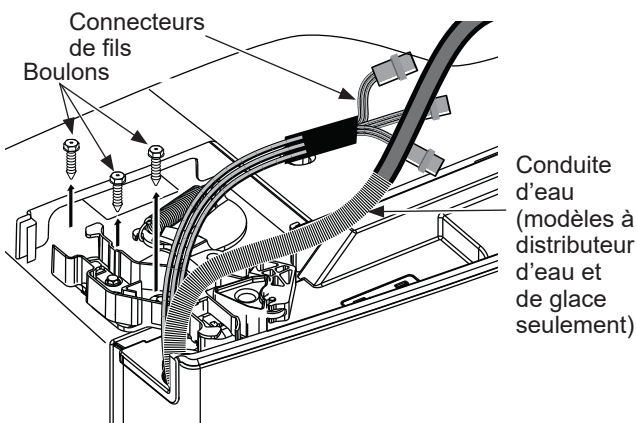


C. Débranchez les 3 connecteurs de fils et déplacez les fils jusqu'à voir les vis qui fixent la charnière.

**Modèles à distributeur d'eau et de glace seulement :** Tirez sur la conduite d'eau avec précaution.



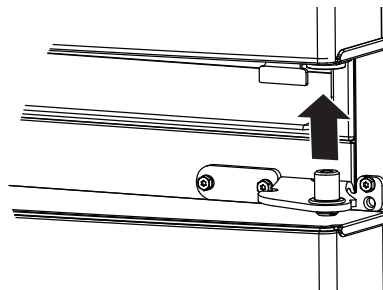
D. À l'aide d'une clé à douille 5/16 po, retirez les boulons qui fixent la charnière supérieure sur la carrosserie.

**2 ENLÈVEMENT DE LA PORTE GAUCHE (Suite)**

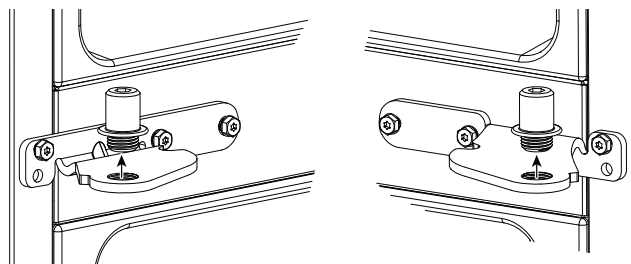
**Modèles SANS distributeur d'eau et de glace seulement :** Soulevez la charnière en ligne droite pour dégager l'axe de charnière de la douille dans le haut de la porte et acheminez le fil dans la fente de la charnière. **Modèles à distributeur d'eau et de glace seulement :** N'enlevez pas la charnière de la porte.

E. Retirez le ruban de la porte, ouvrez la porte sur 90 degrés et penchez-la à l'écart de la carrosserie. Soulevez la porte pour la dégager de l'axe de charnière central.

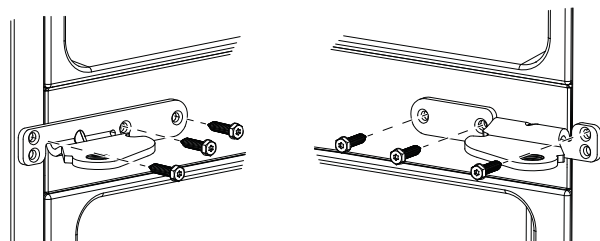
F. Déposez la porte sur une surface qui ne rayera pas la porte, intérieur vers le haut.

**3 ENLÈVEMENT DES CHARNIÈRES ET SUPPORTS CENTRAUX**

A. À l'aide d'une clé hexagonale 1/4 po, enlevez les 2 axes de charnière de leurs supports.



B. À l'aide d'une clé à douille 5/16 po, retirez les boulons qui fixent les supports de charnière sur la carrosserie.



# Instructions d'installation

## INSTALLATION DU RÉFRIGÉRATEUR (Suite) RÉINSTALLATION DES PORTES

### REMARQUES IMPORTANTES

Avant de replacer les portes :

- Lisez les instructions jusqu'au bout avant de commencer.

#### **ATTENTION** Soulèvement de poids lourd.

Une seule personne risque de se blesser à soulever un tel poids. Faites-vous aider lors de la manipulation, le déplacement et le soulèvement des portes de réfrigérateur.

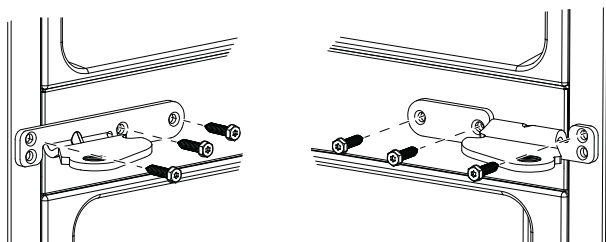
**REMARQUE** : Lors du déplacement, déposez la porte à un endroit sûr qui n'abîmera ni la porte ni son électronique.

#### **AVERTISSEMENT**

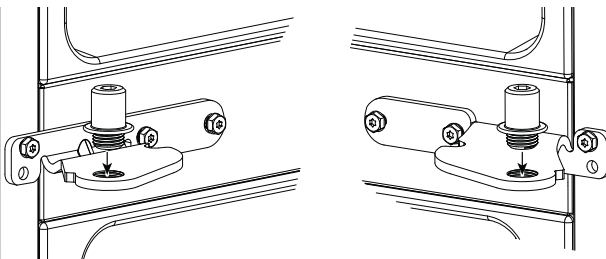
Pour éliminer le risque de choc électrique ou d'autres blessures pendant l'installation, vous devez d'abord débrancher le réfrigérateur avant de procéder. L'omission de suivre cette directive peut causer un choc électrique.

### 1 RÉINSTALLATION DES SUPPORTS DE CHARNIÈRE ET DES CHARNIÈRES CENTRAUX

- A. À l'aide d'une clé à douille 5/16 po, refixez les boulons et les supports de charnière centraux sur la carrosserie.

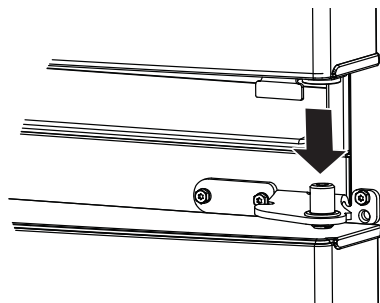


- B. À l'aide d'une clé hexagonale 1/4 po, refixez les 2 axes de charnière dans leurs supports.

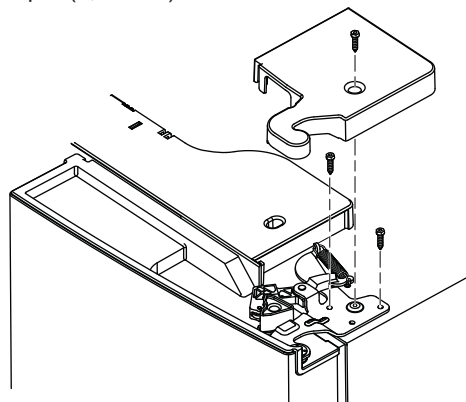


### 2 RACCROCHAGE DE LA PORTE DROITE

- A. Abaissez la porte dans l'axe de la charnière droite.



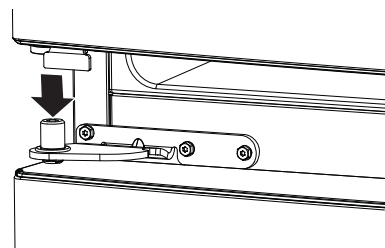
- B. Assurez-vous que la porte est alignée sur la carrosserie. Fixez lâchement la charnière sur le haut de la carrosserie à l'aide des boulons retirés précédemment.
- C. Assurez-vous que le joint d'étanchéité de la porte s'appuie totalement contre la carrosserie, sans plis. Serrez les boulons avec un couple serrage de 60 lb-po. (6,78 Nm).



- D. Remplacez le couvercle de la charnière droite dans le haut du réfrigérateur à l'aide d'un tournevis cruciforme.

### 3 RACCROCHAGE DE LA PORTE GAUCHE

- A. Modèles SANS distributeur d'eau et de glace seulement : Acheminez le fil dans la fente de la charnière. Placez l'axe de charnière dans le haut de la porte.
- B. Abaissez la porte sur l'axe de la charnière gauche.



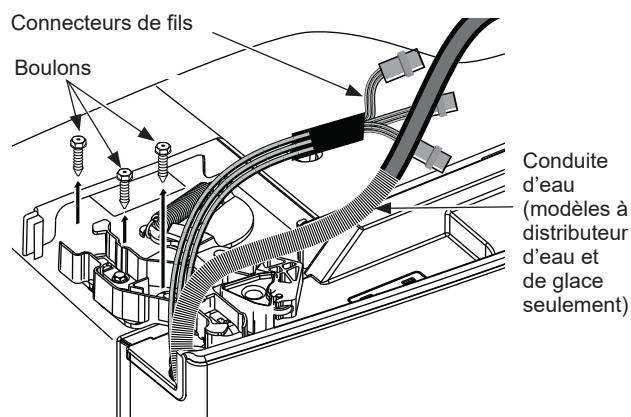
## Instructions d'installation

## INSTALLATION DU RÉFRIGÉRATEUR (Suite)

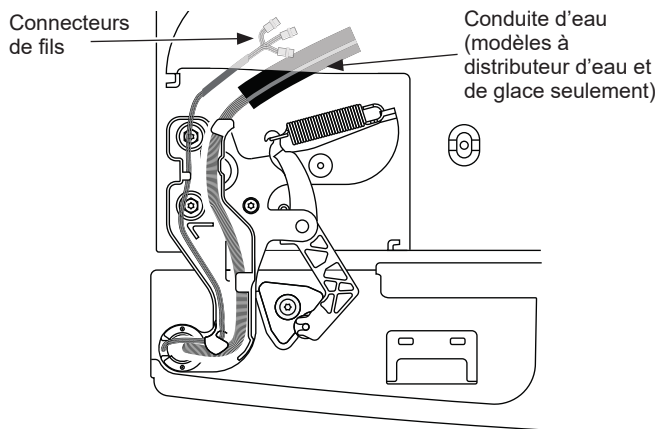
## RÉINSTALLATION DES PORTES (suite)

## 3 RACCROCHAGE DE LA PORTE GAUCHE (Suite)

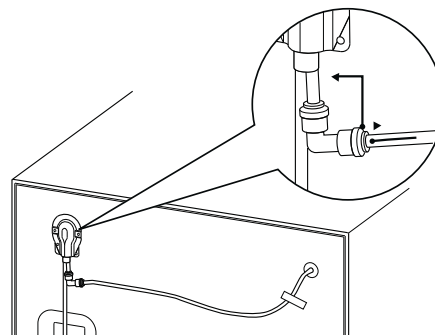
- C. Assurez-vous que la porte est alignée sur la carrosserie. Fixez lâchement la charnière sur le haut de la carrosserie à l'aide des boulons retirés précédemment.
- D. Assurez-vous que le joint d'étanchéité de la porte s'appuie totalement contre la carrosserie, sans plis. Serrez les boulons avec un couple serrage de (6,78 Nm).



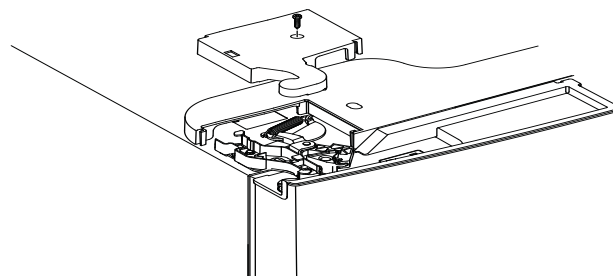
- E. Conduite d'eau (modèles à distributeur d'eau et de glace seulement).



- F. Modèles à distributeur d'eau et de glace seulement : Insérez la conduite d'eau dans le trou et à travers le logement en plastique jusqu'à l'arrière du réfrigérateur. Raccordez la conduite d'eau dans le raccord à l'arrière du réfrigérateur. Fixez la conduite avec du ruban sur le réfrigérateur.



- G. Remplacez le couvercle de la charnière gauche sur le dessus du réfrigérateur à l'aide d'un tournevis cruciforme.



# Instructions d'installation

## INSTALLATION DU RÉFRIGÉRATEUR (Suite)

### ENLÈVEMENT DES TIROIRS DU CONGÉLATEUR (certains modèles)

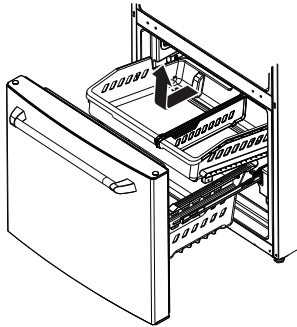
#### REMARQUES IMPORTANTES

Avant d'enlever le tiroir du congélateur :

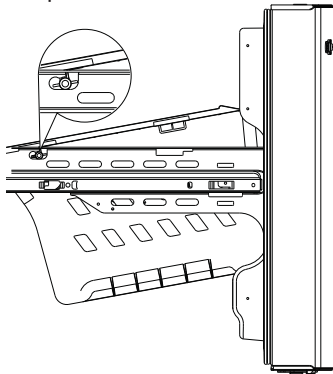
- Lisez les instructions jusqu'au bout avant de commencer.
- Placez le devant du tiroir sur une surface de travail qui ne les rayera pas.

#### 1 ENLEVER LES PANIERS

- A. Ouvrez le tiroir du congélateur jusqu'à ce qu'il s'arrête.
- B. Tirez le panier supérieur jusqu'à ce qu'il s'arrête. Soulevez le panier sur l'avant puis vers l'extérieur pour le sortir.

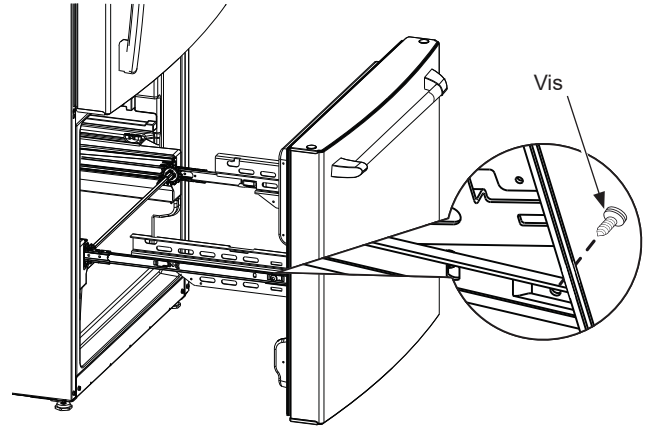


- C. Le panier inférieur repose sur un cadre à l'intérieur du tiroir. Soulevez l'avant du panier puis tirez vers l'avant. Libérez les tiges des fentes du cadre pour retirer le panier

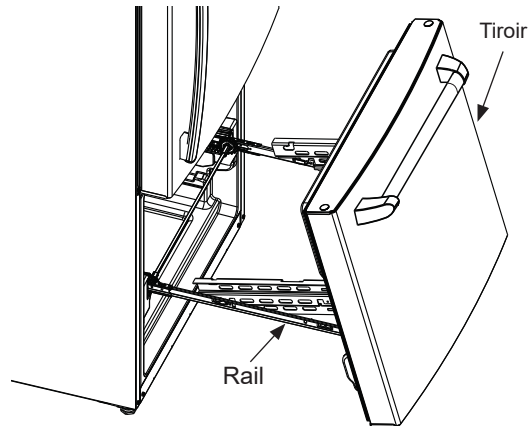


#### 2 ENLEVER LE DEVANT DU TIROIR

- A. Retirez la vis des glissières de chaque côté.



- B. Tirez vers le haut sur les deux côtés de la poignée du tiroir pour séparer les glissières des rails.



- C. Placez le devant du tiroir sur une surface de travail qui ne les rayera pas.
- D. Repoussez les rails à la position de verrouillage.

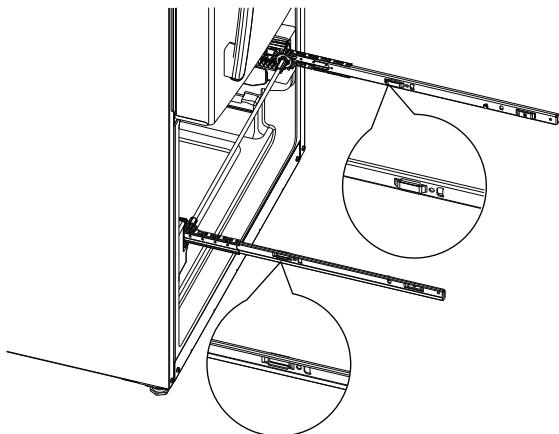
# Instructions d'installation

## INSTALLATION DU RÉFRIGÉRATEUR (Suite)

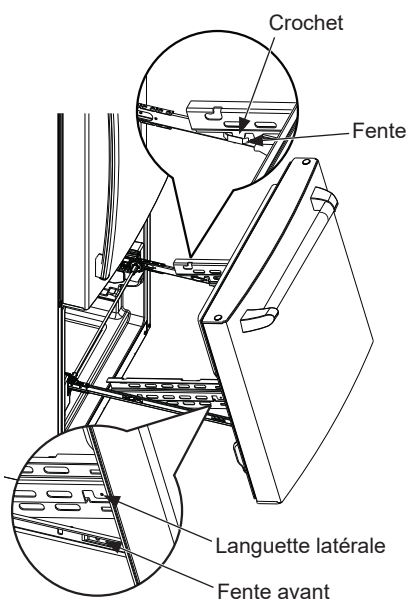
### ENLÈVEMENT DES TIROIRS DU CONGÉLATEUR (certains modèles) (Suite)

#### 3 RÉINSTALLER LE DEVANT DU TIROIR DU CONGÉLATEUR

- A. Tirez les rails à leur extension maximale.  
 B. Repérez les fentes sur l'intérieur de chaque glissière

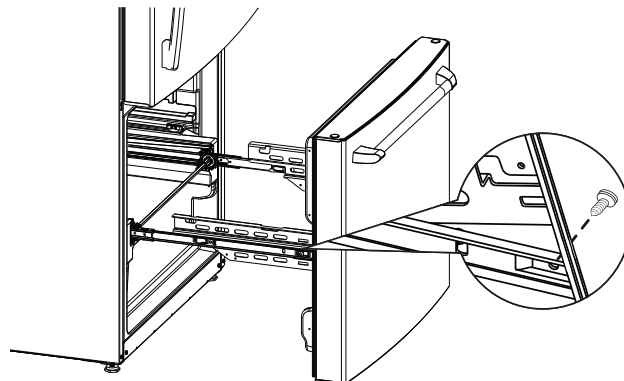


- C. Insérez les crochets aux extrémités des extensions du tiroir dans les fentes près de l'arrière des glissières.



- D. Abaissez l'extrémité avant du tiroir de façon que les languettes latérales s'insèrent dans les fentes avant des rails.

- E. Remplacez les vis de sécurité dans les deux côtés des glissières et rails.



- F. Remplacez les paniers inférieur et supérieur (voir la section Tiroir du congélateur à la page 12).



## INSTALLATION DU RÉFRIGÉRATEUR (Suite)

### RACCORDEMENT DU RÉFRIGÉRATEUR À LA CONDUITE D'EAU DE LA MAISON (modèles avec machine à glaçons seulement)

Une alimentation en eau froide est nécessaire pour le fonctionnement de la machine à glaçons. Si elle est absente, vous devez en installer une. Consultez la section Installation de la conduite d'eau.

#### REMARQUES :

- Avant de raccorder votre réfrigérateur, assurez-vous que le cordon électrique n'est pas branché dans la prise murale.
- Si votre réfrigérateur n'est pas doté d'un filtre d'eau, nous recommandons d'en installer un si votre alimentation d'eau contient du sable ou des particules qui peuvent obstruer la grille du robinet d'eau du réfrigérateur. Si vous utilisez une trousse de tuyau universel pour conduite d'eau de réfrigérateur, vous aurez besoin d'un tuyau additionnel (WX08X10002) pour brancher le filtre. Ne coupez pas le tuyau de plastique pour installer le filtre.
- Avant de raccorder la conduite d'eau à la maison, purgez la conduite de la maison pendant au moins 2 minutes.

**A. Si vous utilisez un tuyau en cuivre**, placez un écrou à compression et une bague sur l'extrémité du tuyau d'alimentation d'eau froide de la maison.

**Si vous utilisez un tuyau Universal Water Line, les écrous sont déjà assemblés au tuyau.**

**B. Si vous utilisez un tuyau en cuivre**, insérez l'extrémité du tuyau aussi loin que possible dans le raccord du réfrigérateur à l'arrière de celui-ci. Tout en tenant le tuyau, serrez le raccord.

**Si vous utilisez la tuyauterie universel pour conduite d'eau** insérez l'extrémité moulée du tuyau dans le raccord du réfrigérateur à l'arrière de celui-ci, et serrez l'écrou à compression à la main. Utilisez ensuite une clé pour le serrer d'un tour supplémentaire. Un serrage excessif peut causer des fuites.

**C. Attachez le tuyau dans le collier de serrage** fourni pour le maintenir en position. Il faudra peut-être écarter le collier avec un outil pour l'ouvrir.

Une des illustrations ci-dessous ressemble au raccord sur votre réfrigérateur.

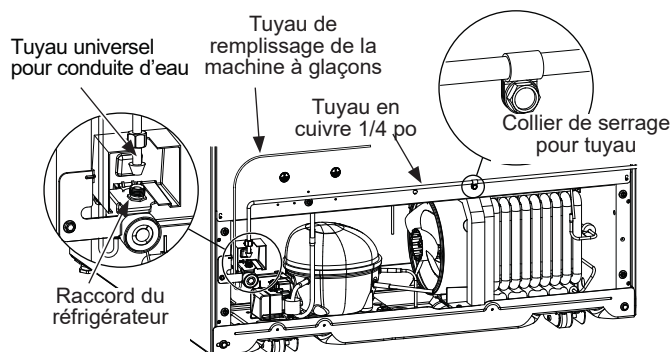
**⚠ AVERTISSEMENT** Raccordez l'appareil à une alimentation d'eau potable seulement.

Une alimentation d'eau froide est requise pour faire fonctionner la machine à glaçons et le pichet à remplissage automatique. La pression d'eau doit se situer entre 40 et 120 psi. (275 à 827 kPa).

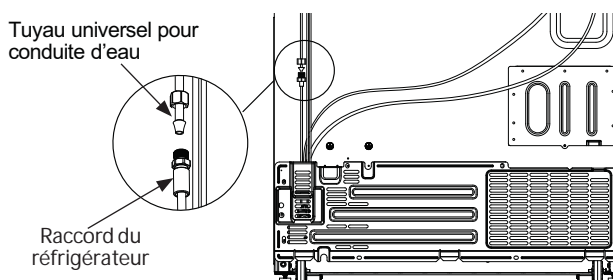
**⚠ AVERTISSEMENT**  **RISQUE DE DÉCHARGE ÉLECTRIQUE**

Fixez le collier de serrage dans le trou présent seulement. **NE PERCEZ PAS** dans le réfrigérateur.

#### Modèles pouvant recevoir une machine à glaçons



#### Modèles avec machine à glaçon installée

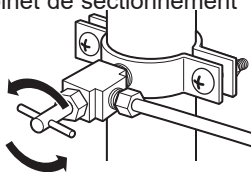


# Instructions d'installation

## INSTALLATION DU RÉFRIGÉRATEUR (Suite)

### OUVRIR L'ALIMENTATION D'EAU (modèles avec machine à glaçons)

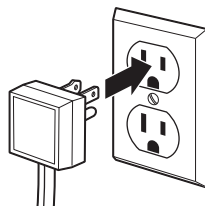
Ouvrez l'alimentation d'eau au robinet de sectionnement (alimentation de la maison) et vérifiez l'absence de fuites.



### BRANCHER LE RÉFRIGÉRATEUR

Pour les modèles avec machine à glaçons, avant de brancher le réfrigérateur, assurez-vous que l'interrupteur de courant se trouve à la position O (Off/arrêt).

Voir les renseignements sur la mise à la terre attachés au cordon électrique.



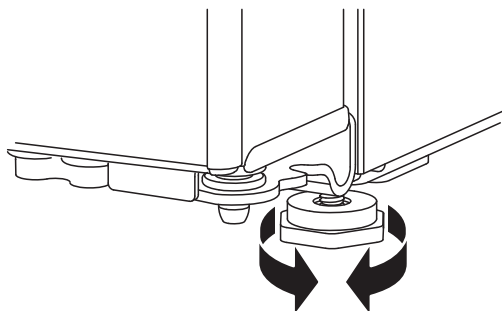
### METTRE LE RÉFRIGÉRATEUR EN PLACE

Placez le réfrigérateur à son emplacement final.

### METTRE LE RÉFRIGÉRATEUR DE NIVEAU

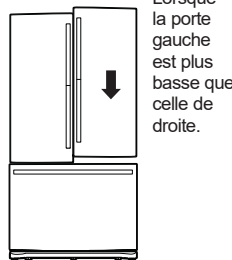
Les **pieds de nivellement** aux coins avant du réfrigérateur doivent être réglés de façon que le réfrigérateur repose solidement sur le plancher, et que l'avant soit légèrement surélevé, juste assez pour que la porte se referme aisément lorsqu'elle est ouverte à mi-parcours.

Pour régler les **pieds de nivellement**, tournez-les dans le **sens des aiguilles** pour soulever le réfrigérateur, dans le **sens inverse des aiguilles** pour l'abaisser.

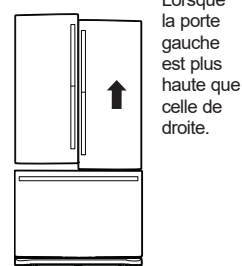


### METTRE LES PORTES DU RÉFRIGÉRATEUR DE NIVEAU

Un réfrigérateur de niveau est nécessaire pour mettre les portes à égalité. Si vous avez besoin d'aide, revoyez la section précédente sur le nivellement du réfrigérateur.

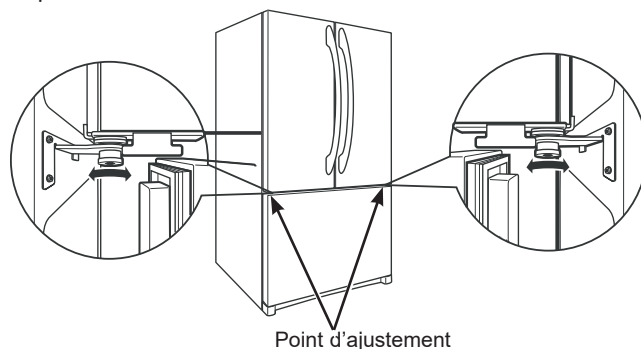


Lorsque la porte gauche est plus basse que celle de droite.



Lorsque la porte gauche est plus haute que celle de droite.

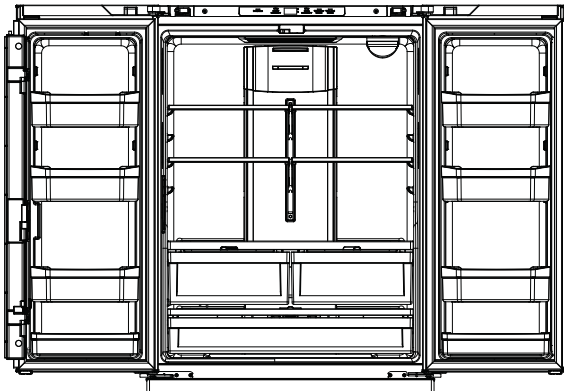
Si les portes demeurent inégales, tournez la tige réglable à l'aide d'une clé hexagonale ¼ po pour soulever la porte la plus basse.



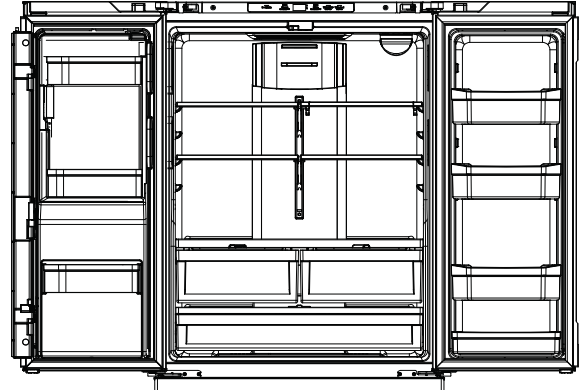
# Instructions d'installation

## Montage du réfrigérateur suggéré (suite)

Tablettes dans la position de meilleure efficacité énergétique.



**CWE19S 19 cuft. Modèles  
à deux portes avec  
 tiroir de congélateur**



**CFE26K 26 cuft. Modèles  
à deux portes avec tiroir de  
 congélateur**

# Instructions d'installation

## INSTALLATION DE LA CONDUITE D'EAU

### AVANT DE COMMENCER

Si l'alimentation d'eau à votre réfrigérateur vient d'un système de filtration par osmose inverse ET si votre réfrigérateur a également un filtre d'eau, utilisez le bouchon de dérivation du filtre de votre réfrigérateur. Si vous utilisez la cartouche de filtration de votre réfrigérateur conjointement avec le filtre d'osmose inverse, vous pouvez produire des glaçons creux. Certains modèles ne sont pas livrés avec un bouchon de dérivation du filtre. Pour vous en procurer un gratuitement, visitez le [cafeappliances.com/service](http://cafeappliances.com/service). Au Canada, le [cafeappliances.ca/service](http://cafeappliances.ca/service).

Cette installation de conduite d'eau n'est pas garantie par le fabricant de réfrigérateur ou de machine à glaçons. Suivez soigneusement ces instructions pour minimiser le risque de dommages onéreux d'inondation.

Les coups de bélier (eau qui donne des coups dans les tuyaux) dans la tuyauterie de la maison peut occasionner des dommages aux pièces de votre réfrigérateur, ainsi que des fuites ou des inondations. Appelez un plombier agréé pour corriger les coups de bélier avant d'installer la conduite d'eau de votre réfrigérateur.

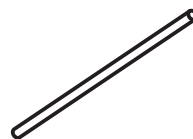
Pour prévenir les brûlures et les dommages à votre réfrigérateur, ne branchez jamais la conduite d'eau à une canalisation d'eau chaude.

N'installez pas les tuyaux de la machine à glaçons dans des endroits où la température risque de descendre en dessous du point de congélation.

Si vous utilisez un outil électrique (comme une perceuse électrique) pendant l'installation, assurez-vous qu'il est doté d'une double isolation et d'une mise à la terre de son câblage afin de prévenir tout risque de choc électrique. On peut aussi utiliser un outil alimenté par batterie.

Vous devez procéder à toutes vos installations en conformité avec votre code local de plomberie.

### CE DONT VOUS AUREZ BESOIN



- Un tuyau en cuivre ou la tresse de tuyau universel pour conduite d'eau de réfrigérateur, diamètre extérieur de 1/4 po, pour brancher le réfrigérateur à l'alimentation d'eau. Si vous utilisez un tuyau en cuivre, assurez-vous que les deux extrémités du tuyau sont coupées bien droit.

Pour trouver la longueur de tuyau dont vous aurez besoin : mesurez la distance qui va du robinet d'eau situé derrière le réfrigérateur jusqu'au tuyau d'alimentation d'eau. Assurez-vous qu'il y a assez de tuyau en surplus pour vous permettre d'écarter le réfrigérateur du mur après l'installation.

Les trousse de tuyau de conduite d'eau universel pour réfrigérateur sont offerts dans les longueurs suivantes :

1,8 m (6 pi) – WX08X10006

4,6 m (15 pi) – WX08X10015

7,6 m (25 pi) – WX08X10025

### **⚠ AVERTISSEMENT** Raccordez l'appareil à une alimentation d'eau potable seulement.

Une alimentation d'eau froide est requise pour faire fonctionner la machine à glaçons et le pichet à remplissage automatique. La pression d'eau doit se situer entre 40 et 120 psi. (275 à 827 kPa).

# Installation Instructions

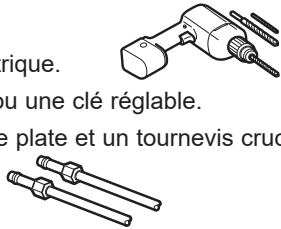
## INSTALLATION DE LA CONDUITE D'EAU (Suite)

### CE DONT VOUS AUREZ BESOIN (Suite)

**REMARQUE :** Les seuls tuyaux en matière plastique approuvés par GE Appliances, a Haier company, sont ceux qui font fournis dans les trousse de tuyau universel pour conduite d'eau de réfrigérateur. N'utilisez jamais un autre tuyau en plastique, car le tuyau d'alimentation d'eau est tout le temps sous pression. Certains types de tuyaux en plastique peuvent devenir cassants avec l'âge et se fendre, occasionnant des dommages d'inondation dans votre maison.

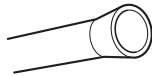
- Vous pouvez vous procurer une trousse de branchement à l'alimentation d'eau (contenant tuyau, robinet, raccords et instructions) auprès de votre fournisseur ou [cafeappliances.ca/parts](http://cafeappliances.ca/parts).
- Une alimentation d'eau froide. La pression de l'eau doit mesurer entre 20 et 120 psi. (138-827 kPa).

- Une perceuse électrique.
- Une clé de 1/2 po ou une clé réglable.
- Un tournevis à lame plate et un tournevis cruciforme.

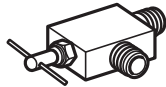


- Deux écrous à compression d'un diamètre extérieur de 1/4 po et deux bagues (manchons) pour raccorder le tuyau en cuivre au robinet de sectionnement et au robinet d'eau du réfrigérateur.  
OU

- Si vous utilisez une trousse de tuyau universel pour conduite d'eau de réfrigérateur, les raccords nécessaires sont déjà montés au tuyau.



- Si votre conduite d'eau en cuivre actuelle présente un raccord évasé à une extrémité, vous aurez besoin d'un adaptateur (offert chez les marchands de matériel de plomberie) pour raccorder le tuyau d'eau au réfrigérateur, OU vous pouvez couper le raccord évasé à l'aide d'un coupe-tube, puis utiliser un raccord à compression. Ne coupez pas l'extrémité moulée d'un trousse de tuyau universel pour conduite d'eau de réfrigérateur.



- Un robinet de sectionnement à connecter au tuyau d'eau froide. Le robinet de sectionnement doit avoir une entrée d'eau d'un diamètre intérieur minimal de 5/32 po au point de raccordement avec la CONDUITE D'EAU FROIDE. Des robinets de sectionnement à étrier sont souvent inclus dans les trousse d'alimentation d'eau. Avant d'acheter, assurez-vous que le robinet à étrier satisfait à vos codes de plomberie locaux.

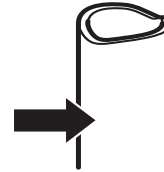
Installez le robinet de sectionnement sur la conduite d'eau potable la plus utilisée.

### 1 FERMER L'ALIMENTATION D'EAU PRINCIPALE

Ouvrez le robinet le plus proche suffisamment longtemps pour purger le tuyau.

### 2 CHOISIR L'EMPLACEMENT DU ROBINET DE SECTIONNEMENT

Choisissez pour le robinet un emplacement facilement accessible. Il vaut mieux le brancher de côté à un tuyau vertical. Si vous devez le brancher à un tuyau horizontal, faites le branchement en haut ou de côté, plutôt qu'en bas du tuyau, pour éviter de recevoir des sédiments du tuyau d'alimentation d'eau.

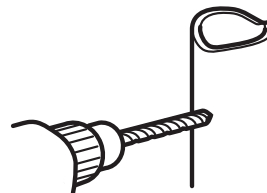


### 3 PERCER UN TROU POUR LE ROBINET

Percez un trou de 1/4 po dans la conduite d'eau à l'aide d'un foret dur (même si vous utilisez un robinet autotaraudeur). Enlevez toute barbare due au perçage du trou dans le tuyau.

Faites attention de ne pas laisser de l'eau couler dans votre perceuse électrique.

Si vous ne percez pas un trou de 1/4 po, vous obtiendrez une alimentation d'eau réduite et des glaçons plus petits.



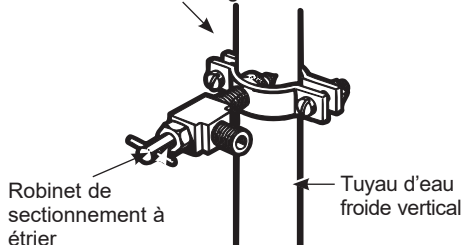
# Instructions d'installation

## INSTALLATION DE LA CONDUITE D'EAU (Suite)

### 4 FIXER LE ROBINET DE SECTIONNEMENT

Fixez le robinet de sectionnement au tuyau d'eau froide à l'aide du collier de serrage.

Collier de serrage

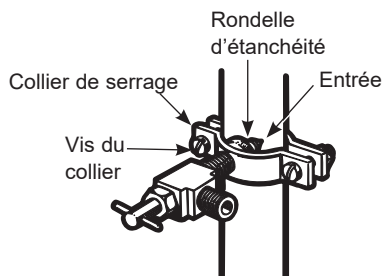


**REMARQUE :** Vous devez vous conformer aux Codes de plomberie 248CMR du Commonwealth of Massachusetts. Les robinets de sectionnement à étrier sont illégaux et leur utilisation n'est pas autorisée au Massachusetts. Consultez votre plombier local.

### 5 SERRER LE COLLIER DE SERRAGE

Serrez les vis du collier jusqu'à ce que la rondelle d'étanchéité commence à enfler.

**REMARQUE :** Ne serrez pas trop. Vous risquez d'écraser le tuyau.



### 6 ACHEMINER LE TUYAU

Acheminez le tuyau entre la conduite d'eau froide et le réfrigérateur.

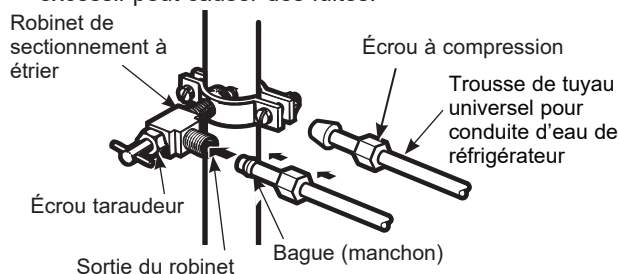
Faites passer le tuyau par un trou percé dans le mur ou le plancher (derrière le réfrigérateur ou au niveau de l'armoire de cuisine adjacente), aussi près du mur que possible.

### 7 RACCORDER LE TUYAU AU ROBINET DE SECTIONNEMENT

Placez un écrou à compression et une bague (manchon) à l'extrémité du tuyau et posez-les sur le robinet de sectionnement.

Assurez-vous que le tuyau est bien inséré dans le robinet. Serrez fort l'écrou à compression.

Pour le tuyau en matière plastique d'une trousse de tuyau universel pour conduite d'eau de réfrigérateur, insérez l'extrémité moulée du tuyau dans le robinet de sectionnement et serrez l'écrou à compression à la main, puis serrez d'un tour avec une clé. Un serrage excessif peut causer des fuites.



**REMARQUE :** Vous devez vous conformer aux Codes de plomberie 248CMR du Commonwealth of Massachusetts. Les robinets de sectionnement à étrier sont illégaux et leur utilisation n'est pas autorisée au Massachusetts. Consultez votre plombier local.

### 8 PURGER LE TUYAU

Ouvrez l'alimentation d'eau principale et purgez le tuyau jusqu'à ce que l'eau soit claire.

Fermez l'eau au robinet d'eau après l'écoulement d'environ 1 litre d'eau (env. 2 minutes) par le tuyau.



# Bruits de fonctionnement normaux

Les réfrigérateurs plus récents font des bruits différents de ceux des anciens.  
Les réfrigérateurs modernes présentent plus de fonctions et sont plus avancés sur le plan technologique.

## Entendez-vous ce que j'entends ? Ces bruits sont

**HUMMM...  
WHOOSH...**

- Le nouveau compresseur à rendement élevé peut fonctionner plus longtemps et plus vite que votre ancien réfrigérateur et vous pouvez entendre un son modulé ou un ronflement aigu pendant son fonctionnement.
- Vous pouvez entendre un sifflement lorsque les portes se ferment. Cela vient de l'équilibrage de pression dans le réfrigérateur.

**OUIR!**



- Vous pouvez entendre les ventilateurs tourner à hautes vitesses. Cela se produit lorsque le réfrigérateur vient d'être branché, lorsque les portes sont ouvertes fréquemment ou lors de l'ajout d'une grande quantité d'aliments dans les compartiments congélateur ou réfrigérateur. Les ventilateurs permettent de maintenir les bonnes températures.
- Les ventilateurs changent de vitesses pour assurer des économies d'énergie et un refroidissement optimaux.

## CLICS et CLAQUEMENTS

- • Vous pouvez entendre des craquements ou des claquements lorsque le réfrigérateur est branché pour la première fois. Cela se produit lorsque le réfrigérateur se refroidit à la bonne température.
- L'expansion et la contraction des serpentins de refroidissement pendant et après le dégivrage peuvent causer un craquement ou un claquement.
- Sur les modèles équipés d'une machine à glaçons, après un cycle de fabrication de glaçons, vous pouvez entendre les glaçons tomber dans le bac.
- Sur les modèles munis d'un distributeur, le mouvement des conduites peut être audible lors de la première distribution d'eau et après le relâchement du bouton du distributeur.

## BRUITS D'EAU



- Le passage de l'agent frigorigère dans les serpentins de refroidissement du congélateur peut être accompagné d'un gargouillement semblable à celui de l'eau en ébullition.
- L'eau tombant sur l'élément chauffant de dégivrage peut faire un bruit de grésillement, de claquement ou de bourdonnement pendant le cycle de dégivrage.
- Un bruit de suintement d'eau peut être entendu pendant le cycle de dégivrage lorsque la glace de l'évaporateur fond et tombe dans le bac de récupération.
- Fermer la porte peut causer un gargouillement en raison de l'équilibrage de pression.

# Conseils de dépannage... Avant d'appeler un réparateur

Économisez temps et argent! Examinez d'abord les tableaux des pages suivantes, vous pourriez éviter une visite de service.

Problème	Causes possibles	Que faire
Le réfrigérateur ne fonctionne pas	Le cycle de dégivrage est en cours.	Attendez environ 30 minutes afin que le cycle de dégivrage se termine.
	Une des commandes ou les deux est sur la position OFF (arrêt).	Réglez les commandes de température à une température plus basse.
	Le réfrigérateur est débranché.	Enfoncez complètement la fiche de l'appareil dans la prise murale.
	Le fusible est grillé/le disjoncteur est déclenché.	Remplacez le fusible ou réenclenchez le disjoncteur.
	Votre réfrigérateur est en mode de démonstration.	Débranchez votre réfrigérateur et rebranchez-le.
Vibration ou bruit métallique (une légère vibration est normale)	Vous devez ajuster les jambes de nivellement.	Voir la section Mettre le réfrigérateur de niveau.
Le moteur fonctionne pendant de longues périodes ou il s'allume et s'éteint fréquemment en alternance. (Les appareils modernes dotés de compartiments réfrigérateur et congélateur de grand volume exigent un temps de fonctionnement plus long. Ils démarrent et s'arrêtent souvent pour maintenir des températures uniformes.	Ceci est normal lorsque le réfrigérateur vient d'être branché.	Attendre 24 heures pour que le réfrigérateur refroidisse complètement.
	Ceci est fréquent lorsqu'une grande quantité d'aliments a été placée dans le réfrigérateur ou une grande quantité d'aliments a été placée dans le congélateur.	C'est normal.
	La porte est restée ouverte.	Un paquet empêche peut-être la fermeture de la porte.
	Temps chaud ou ouverture fréquente des portes.	C'est normal.
	La température est réglée sur la température la plus basse.	Voir la section Commandes
Température trop élevée dans le congélateur ou le réfrigérateur	La température n'est pas réglée sur une température assez basse	Voir la section Commandes
	Temps chaud ou ouverture fréquente des portes.	Réglez la commande des températures sur une température plus basse. Consultez la section Commandes
	La porte est restée ouverte.	Un paquet empêche peut-être la fermeture de la porte.
Givre sur les aliments surgelés (il est normal que du givre se forme à l'intérieur du paquet)	La porte est restée ouverte.	Un paquet empêche peut-être la fermeture de la porte.
	Ouverture trop fréquente ou trop longue des portes.	C'est normal.
La séparation entre le réfrigérateur et le congélateur est chaude	Le système automatique d'économie d'énergie fait circuler du liquide tiède à l'avant du compartiment de congélation.	Ceci permet d'éviter des problèmes de condensation sur l'extérieur de l'appareil.
La machine à glaçons ne fonctionne pas	L'interrupteur d'alimentation de la machine à glaçons est à la position OFF (arrêt).	Réglez l'interrupteur d'alimentation à la position ON (marche).
	L'alimentation en eau est coupée ou n'est pas raccordée.	Voir la section Installation de la conduite d'eau
	Le compartiment congélateur est trop chaud.	Attendez 24 heures pour que la température du réfrigérateur se stabilise.
	Un amas de glaçons dans le bac provoque l'arrêt de la machine à glaçons.	Nivelez les glaçons à la main.
	Cubes de glace sont coincés dans le distributeur.	Débranchez le distributeur, enlevez les cubes et rebranchez le distributeur.
Le congélateur refroidit, mais pas le compartiment réfrigérateur	Normal, lorsque le réfrigérateur est branché la première fois ou suite à une panne prolongée.	Attendez 24 heures pour atteindre la température sélectionnée dans les deux compartiments.
La machine à glaçons s'ouvre après la fermeture du tiroir du congélateur (certains modèles)	C'est normal	Le distributeur de glaçons peut s'ouvrir après la fermeture de la porte du congélateur pour permettre l'accès.
Odeur/saveur anormale des glaçons	Il faut nettoyer le bac à glaçons.	Videz et lavez le bac à glaçons. Jetez les vieux glaçons.
	Des aliments ont transmis leur odeur/goût aux glaçons.	Emballez bien les aliments.
	Il faut nettoyer l'intérieur du réfrigérateur.	Voir la section Entretien et nettoyage



# Conseils de dépannage... Avant d'appeler un réparateur

Économisez temps et argent! Examinez d'abord les tableaux des pages suivantes, vous pourriez éviter une visite de service.

Problème	Causes possibles	Que faire
Petits glaçons ou glaçons creux à l'intérieur	Le filtre à eau est bouché.	Remplacez le filtre à cartouche par un neuf ou par le bouchon.
Formation lente des glaçons	La porte est restée ouverte.	Vérifiez si l'emballage garde la porte ouverte.
	La commande de température du congélateur n'est pas réglée à une température assez froide.	Voyez la section Commandes.
Bourdonnement fréquent	Le commutateur de marche de la machine à glaçons est dans la position I (marche), mais l'arrivée d'eau au réfrigérateur n'a pas été raccordée.	Réglez le commutateur de marche sur la position 0 (arrêt), car le garder dans la position I (marche) endommagera le robinet d'eau.
Lueur orange dans le congélateur	Le cycle de dégivrage est en cours.	C'est normal.
Mauvais goût/odeur de l'eau	Le distributeur d'eau n'a pas été utilisé depuis longtemps.	Faites couler l'eau jusqu'à ce que l'eau du système soit remplacée par de l'eau fraîche.
L'eau versée dans le premier verre est chaude	Normal lorsque le réfrigérateur est initialement installé.	Attendez 24 heures pour que la température du réfrigérateur se stabilise.
	Le distributeur d'eau n'a pas été utilisé depuis longtemps.	Faites couler l'eau jusqu'à ce que l'eau du système soit remplacée par de l'eau fraîche.
	Le réservoir d'eau vient d'être vidangé.	Attendez plusieurs heures pour que l'eau refroidisse.
Le distributeur d'eau ne fonctionne pas	L'alimentation en eau est coupée ou n'est pas raccordée.	Voyez la section Installer la conduite d'eau.
	Le filtre à eau est bouché.	Remplacez le filtre à cartouche ou retirez le filtre et installez le bouchon.
	Il y a de l'air dans la conduite d'eau.	Appuyez sur le bras gicleur durant au moins deux minutes.
	Distributeur est VERROUILLÉ.	Appuyez et maintenez enfoncée la touche LOCK (verrouillage) pendant 3 secondes.
L'eau jaillit du distributeur	La cartouche du filtre vient d'être installée.	Faites couler l'eau du distributeur pendant 3 minutes (environ 6 litres).
La machine à glaçons fonctionne, mais ne distribue pas d'eau	L'eau du réservoir est gelée.	Appelez un réparateur.
	Le réglage de commande est trop froid.	Réglez le commande de température sur un réglage plus chaud.
Pas de production d'eau ou de glace	La conduite d'eau ou le robinet d'arrêt est bouché.	Appelez un plombier.
	Le filtre à eau est bouché.	Remplacez la cartouche du filtre avec une nouvelle cartouche ou installez le bouchon du filtre.
Odeur dans le réfrigérateur	Des aliments ont transmis leur odeur au réfrigérateur.	Les aliments à odeur forte doivent être emballés hermétiquement. Gardez une boîte ouverte de bicarbonate de soude dans le réfrigérateur.
	Il faut nettoyer l'intérieur.	Voir la section Entretien et nettoyage
De la condensation s'accumule à l'extérieur	Cela n'est pas inhabituel pendant les périodes de forte humidité.	Essayez bien la surface extérieure.
De la condensation s'accumule à l'intérieur (par temps humide, l'ouverture des portes laisse entrer de l'humidité)	Les portes sont ouvertes trop fréquemment ou pendant trop longtemps.	C'est normal.
	Étant donné le taux d'humidité plus élevé dans le compartiment du réfrigérateur, il est possible d'y déceler la présence de brouillard ou de petites quantités de buée de temps à autre.	Ce phénomène est normal et son apparition sera fonction des variations de la charge d'aliments et des conditions ambiantes. Sécher à l'aide d'un essuie-toutsi désiré.
L'éclairage intérieur ne fonctionne pas	Il n'y a pas de courant au niveau	Remplacez le fusible ou réenclenchez le disjoncteur.
	Pour les lampes DEL	Joindre le service à la clientèle - voir Remplacement des lampes.

## Conseils de dépannage... Avant d'appeler un réparateur

Problème	Causes possibles	Que faire
Air chaud à la base du réfrigérateur	Courant d'air normal provenant du moteur. Pendant le processus de réfrigération, il est normal que de la chaleur soit expulsée à la base du réfrigérateur. Certains revêtements de sol sont sensibles et peuvent se décolorer sous l'effet de cette température de fonctionnement normale qui est sans danger.	C'est normal.
Le réfrigérateur ne s'arrête jamais mais les températures sont normales	La fonction de dégivrage maintient le compresseur en marche au cours de l'ouverture des portes.	Ceci est normal. Le réfrigérateur passe sur cycle d'arrêt lorsque les portes ont été fermées pendant 2 heures.
Le réfrigérateur émet un signal sonore.	La porte est ouverte.	Fermez la porte.
La porte ne se ferme pas correctement.	Le joint de la porte du côté des charnières est collé ou replié.	Mettre une couche de cire de paraffine sur le joint de la porte.
La température présente n'est pas égale à celle affichée	L'appareil vient d'être branché.	Pour stabiliser le système, laissez 24 heures s'écouler.
	La porte est restée ouverte trop longtemps.	Pour stabiliser le système, laissez 24 heures s'écouler.
	Des aliments chauds ont été placés dans le réfrigérateur.	Pour stabiliser le système, laissez 24 heures s'écouler.
	Cycle de dégivrage en cours.	Pour stabiliser le système, laissez 24 heures s'écouler.
La porte/le tiroir ne ferme pas seul	Vous devez ajuster les jambes de nivellement.	Voir la Mettre le réfrigérateur de niveau.
La porte/le tiroir du compartiment congélation s'ouvre quand la porte du réfrigérateur est fermée	C'est normal si, après s'être ouvert, la porte/le tiroir du compartiment congélation se referme tout seul.	Cela indique que la porte/le tiroir du compartiment congélation a un bon joint. Si la porte/le tiroir du compartiment congélation ne se referme pas automatiquement après s'être ouvert, consultez la section <b>Problème</b> : La porte/le tiroir ne ferme pas seul, ci-dessus
Les aliments gèlent dans le compartiment réfrigération	Les aliments sont trop près de l'ouverture de circulation d'air à l'arrière du compartiment réfrigération.	Éloignez les aliments de l'ouverture de circulation d'air.
	Le réglage de votre réfrigérateur est trop froid.	Réglez votre réfrigérateur à une température plus chaude en sélectionnant une graduation à la fois.
L'eau coule du distributeur	Vous ne tenez pas le verre sous le distributeur suffisamment longtemps après avoir relâché le bouton.	Tenez le verre sous le distributeur pendant 2-3 secondes après avoir relâché le bouton du distributeur. L'eau peut continuer à couler après que vous ayez relâché le bouton.
	De l'air peut se trouver dans les conduites d'eau, causant l'égouttement après une distribution d'eau.	Faites écouler l'eau pendant au moins 2 minutes pour expulser l'air du système.
Mon écran indique tc	La fonction TurboCool est active.	Consultez la section Commandes
Le voyant lumineux du filtre d'eau a changé de couleur	C'est normal.	Consultez la section Filtre d'eau à cartouche - MWF ou XWF
Le voyant lumineux de filtre d'eau demeure rouge après un remplacement du filtre d'eau	Il faut remettre à zéro l'indicateur de filtre d'eau.	Appuyez sur la touche WATER FILTER ( filtre d'eau) et tenez-la appuyée pendant 3 secondes. Consultez la section Filtre d'eau à cartouche - MWF ou XWF
Le voyant lumineux de filtre d'eau ne s'allume pas	C'est normal. Vous devez replacer le filtre quand le voyant indicateur de remplacement du filtre devient rouge.	Consultez la section Filtre d'eau à cartouche - MWF ou XWF
La poignée est lâche/ Il y a un espace vide pour la poignée	Vous devez ajuster la poignée de porte.	Consultez les sections Fixez la poignée du compartiment aliments frais et Fixez la poignée du compartiment congélation pour des instructions détaillées.
Les portes ne sont pas bien alignées (Uniquement sur les modèles à deux portes)	Il faut réaligner les portes.	Consultez la section Mettre les portes du réfrigérateur de niveau.
Les paniers se coincent lors de l'ouverture ou de la fermeture	Les paniers sont trop remplis.	<b>Pour ouvrir</b> : Enlevez certains produits du panier, lorsque celui-ci est ouvert aussi loin que possible. Repositionnez les produits laissés dans le panier et essayez de l'ouvrir à nouveau. <b>Pour fermer</b> : Repositionnez les produits dans le panier et enlevez tout produit placé au-dessus du bord du panier, puis fermez-le.

# Café Garantie Limitée du Réfrigérateur

**GARANTIE LIMITÉE**

## cafeappliances.ca

Toutes les réparations en vertu de la garantie sont fournies par nos Centres de Service d'Usine ou par un technicien en réparation autorisé. Pour prévoir une réparation, consultez notre site [cafeappliances.ca/service](http://cafeappliances.ca/service). Veuillez avoir votre numéro de série et votre numéro de modèle à portée de main lorsque vous appelez pour obtenir un service.

Pour le diagnostic, la réparation de votre réfrigérateur peut nécessiter l'utilisation du port de données embarqué. Celui-ci permet au technicien de réparation Café de diagnostiquer rapidement des problèmes avec votre appareil. Il permet également à Café d'améliorer ses produits en fournissant à ces derniers des informations sur votre appareil. Si vous ne voulez pas que les données de votre appareil soient envoyées à Café, veuillez demander à votre technicien de NE PAS soumettre les données à Café pendant la réparation.

Pendant la période de garantie de :	CAFÉ remplacera :
<b>Un An</b> A compter de la date d'achat initial	<b>Toute pièce</b> du réfrigérateur qui s'avère défectueuse en raison d'un défaut de matériau ou de fabrication. Pendant la validité de la <b>présente garantie limitée</b> d'un an, CAFÉ fournira également gratuitement la main d'œuvre et le service pour réparer la pièce défectueuse.
<b>Trente jours</b> (filtre à eau, si inclus) A compter de la date d'achat initial	<b>Toute pièce</b> de la cartouche filtrante qui ne fonctionne pas à cause d'un vice de matériau ou de main d'œuvre. Pendant la validité de la <b>présente garantie limitée de 30 jours</b> , Café fournira gratuitement une cartouche filtrante de remplacement.
<b>Cinq Ans</b> A compter de la date d'achat	<b>Toute pièce</b> du système fermé du réfrigérateur (compresseur, condenseur, évaporateur et tous les tuyaux de raccordement) qui s'avère défectueuse en raison d'un défaut de matériau ou de fabrication. Pendant la validité de la <b>présente garantie limitée de cinq ans</b> , Café fournira également gratuitement la main d'œuvre et le service pour réparer la pièce défectueuse dans le système fermé du réfrigérateur.

### Ce qui n'est pas couvert par CAFÉ :

- Les déplacements à votre domicile pour vous expliquer l'utilisation de ce produit
- Une installation, livraison ou maintenance défectueuse.
- Une panne du produit par abus d'utilisation, par mauvaise utilisation, par modification ou s'il a été utilisé dans un but autre que celui pour lequel il a été fabriqué.
- Détérioration des aliments.
- Le remplacement des fusibles ou le réenclenchement du disjoncteur du domicile.
- Les dommages à la finition, tels que rouille de surface, ternissement ou petites taches, non signalés dans un délai de 48 heures suivant la livraison.
- Le remplacement de la cartouche filtrante, si incluse, à cause d'une pression d'eau en dehors de la gamme de fonctionnement recommandée ou à cause d'une concentration excessive de sédiments dans l'eau d'alimentation.
- Le remplacement des ampoules, si incluses, ou la cartouche filtrante, si incluse, et dans des conditions autres que celles susmentionnées.
- Tout dommage causé par accident, incendie, inondation ou une catastrophe naturelle.
- Tout dommage fortuit ou indirect causé par des défauts éventuels de cet appareil.
- Le service s'il est impossible d'avoir accès au produit.
- Dommages causés par l'utilisation d'un filtre qui n'est pas de marque GE Appliances.

### EXCLUSION DES GARANTIES TACITES

Votre recours exclusif est l'échange du produit suivant les modalités de la Garantie Limitée. Toutes garanties tacites, y compris les garanties de valeurs marchandes ou d'adéquation à des fins particulières, sont limitées à une durée d'un an ou à la durée la plus courte autorisée par la loi.

**Pour les clients des États-Unis :** Cette garantie limitée est offerte à l'acheteur initial et à tout propriétaire successif de produits à usage domestique à l'intérieur des États-Unis. Si le produit est installé dans une région où ne se trouve aucun réparateur autorisé Café, vous devrez peut-être assumer les frais de transport ou apporter l'appareil à un centre de service autorisé Café. En Alaska, la garantie limitée exclut les frais d'expédition ou de service à votre domicile.

Certains états n'acceptent pas d'exclusion ou de limites aux dommages indirects consécutifs. Cette garantie vous accorde des droits particuliers et il peut exister d'autres droits qui varient selon l'État ou la province. Pour connaître vos droits juridiques, veuillez consulter le bureau local ou le bureau d'état des affaires aux consommateurs ou le Procureur Général de votre état.

**Garant : États-Unis : GE Appliances, a Haier company**  
Louisville, KY 40225

**Pour les consommateurs canadiens :** Cette garantie est étendue à l'acheteur d'origine et aux propriétaires suivants pour tout produit acheté aux Canada pour une utilisation domestique aux Canada. Le service à domicile en vertu de la garantie sera fourni dans les régions où il est disponible et où Mabe estime raisonnable de le fournir.

**Garant Canada: MC Commercial, Inc., Burlington, Ontario, L7R 5B6**

Pour bénéficier du service de réparation sous garantie, une preuve de la date d'achat initial est nécessaire.

# Garantie limitée de la cartouche filtrante

Communiquez avec nous sur [cafeappliances.ca/parts](http://cafeappliances.ca/parts).

<b>Pendant la période de garantie de :</b>	<b>Nous remplacerons gratuitement :</b>
<b>Trente jours</b> A compter de la date d'achat initial	<b>Toute pièce</b> de la cartouche filtrante qui s'avère défectueuse en raison d'un défaut de matériau ou de fabrication pendant cette <b>période de garantie de trente jours.*</b>

### Ce qui n'est pas couvert :

- Les déplacements à votre domicile pour vous expliquer l'utilisation de ce produit.
- Une installation incorrecte.
- Une panne d u produit par abus d'utilisation, par mauvaise utilisation, par modification ou s'il a été utilisé dans un but autre que celui pour lequel il a été fabriqué, ou s'il a été utilisé à des fins commerciales.
- Le remplacement des fusibles ou le réenclenchement du disjoncteur du domicile.
- Tout dommage causé par accident, incendie, inondation ou catastrophe naturelle.
- Tout dommage fortuit ou indirect causé par des défauts éventuels de cet appareil.

### EXCLUSION DES GARANTIES TACITES :

Votre recours exclusif est l'échange du produit suivant les modalités de la Garantie Limitée. Toutes garanties tacites, y compris les garanties de valeurs marchandes ou d'adéquation à des fins particulières, sont limitées à une durée de six mois ou à la durée la plus courte autorisée par la loi.

Cette garantie limitée est étendue à l'acheteur d'origine et aux propriétaires suivants pour tout produit acheté pour une utilisation domestique aux Etats-Unis. En Alaska, cette garantie limitée exclut le coût d'expédition ou de dépannage à votre domicile.

Certains états n'acceptent pas d'exclusion ou de limites aux dommages indirects consécutifs. Certains droits particuliers vous sont dévolus en vertu de la présente garantie limitée et peuvent s'accompagner d'autres droits qui varient d'un état à un autre. Pour connaître vos droits, veuillez consulter votre bureau local ou le bureau d'état des affaires aux consommateurs ou le Procureur Général de votre état.

**Pour les achats effectués en Iowa :** Ce formulaire doit être signé et daté par l'acheteur et le vendeur avant la réalisation de cette vente.

Ce formulaire doit être conservé au dossier par le vendeur pendant une période minimale de deux ans.

### Acheteur :

Nom \_\_\_\_\_  
 Adresse \_\_\_\_\_  
 Ville \_\_\_\_\_ État \_\_\_\_\_ Code postal \_\_\_\_\_  
 Signature \_\_\_\_\_ Date \_\_\_\_\_

### Vendeur :

Nom \_\_\_\_\_  
 Adresse \_\_\_\_\_  
 Ville \_\_\_\_\_ État \_\_\_\_\_ Code postal \_\_\_\_\_  
 Signature \_\_\_\_\_ Date \_\_\_\_\_

\* Si votre pièce GE Appliances s'avère défectueuse en raison d'un défaut de fabrication dans les trente jours à compter de la date d'achat initiale, nous vous fournirons gratuitement une nouvelle pièce, ou, à notre gré, une pièce reconstruite. Renvoyez la pièce défectueuse au fournisseur de pièces auprès duquel cette pièce a été achetée avec une copie de la preuve d'achat de la pièce. Si la pièce est défectueuse et n'indique aucun signe d'une utilisation abusive, celle-ci sera échangée. La garantie ne couvre pas la défaillance de pièces qui sont endommagées en votre possession, sont utilisées de façon abusive ou ont été mal installées. Elle ne couvre pas les frais de retour de la pièce au fournisseur auprès duquel elle a été achetée. Elle ne couvre pas non plus le coût de main d'oeuvre pour retirer ou installer cette pièce pour diagnostiquer la panne. Elle ne couvre pas les pièces utilisées dans les produits à usage commercial, sauf dans le cas des équipements de climatisation. En aucun cas, GE Appliances ne peut être tenu responsable des dommages indirects.

**Garant : GE Appliances, a Haier company**  
**Louisville, KY 40225**

Pour bénéficier du service de réparation sous garantie, une preuve de la date d'achat initial est nécessaire.

# Fiche technique de performance Modèle : XWF

- Système certifié par l'IAPMO R&T en vertu des normes 42, 53, 401 de la NSF/ANSI relatives à la réduction des allégations spécifiées sur la fiche technique de rendement et le site [iapmort.org](http://iapmort.org).
- Le rendement réel peut varier selon les conditions locales de l'eau.

Substance testée pour réduction	Concentration d'essai de l'influent (mg/L)	Concentration max. admissible dans l'eau du produit (mg/L)	Réduction moy. (%)
Goût et odeur chlore	2.0 mg/L +/- 10%	N/A	96.9
Goût et odeur chloramine	3.0 mg/L +/- 10%	0.5	96.9
Particules, Classe I	Au moins 10 000/mL	N/A	91.4
Oocystes	50,000/L	N/A	>99.99
Plomb	0.15	0.01	98.85
Mercure	0.006	0.002	96.3
Amiante	107 à 108 fibres/L	N/A	>99
Toxaphène	0.015 +/- 10%	0.003	86.95
SCC (substitut de chloroforme C)	0.300	0.015	99.7
Alachlore	0.050	0.001	> 98
Atrazine	0.100	0.003	> 97
Benzène	0.081	0.001	> 99
Carbofuran	0.190	0.001	> 99
tétrachlorure de carbone	0.078	0.0018	98
chlorobenzène	0.077	0.001	> 99
chloropicrine	0.015	0.0002	99
2, 4-D	0.110	0.0017	98
dibromochloropropane (DBCP)	0.052	0.00002	> 99
o-Dichlorobenzène	0.08	0.001	> 99
p-Dichlorobenzène	0.040	0.001	> 98
1,2-dichloroéthane	0.088	0.0048	95
1,1-dichloroéthylène	0.083	0.001	> 99
cis-1,2-dichloroéthylène	0.170	0.0005	> 99
trans-1,2-dichloroéthylène	0.086	0.001	> 99
1,2-dichloropropane	0.080	0.001	> 99
cis-1,3-dichloropropylène	0.079	0.001	> 99
dinosébe	0.170	0.0002	99
Endrine	0.053	0.00059	99
Éthylbenzène	0.088	0.001	> 99
éthylène dibromide (EDB)	0.044	0.00002	> 99
bromochloroacétonitrile	0.022	0.0005	98
dibromoacétonitrile	0.024	0.0006	98
dichloroacétonitrile	0.0096	0.0002	98
trichloroacétonitrile	0.015	0.0003	98
1,1-dichloro-2-propanone	0.0072	0.0001	99
1,1,1-trichloro-2-propanone	0.0082	0.0003	96
heptachlore (H-34, Heptox)	0.025	0.00001	>99
heptachloreépoxyde	0.0107	0.0002	98
hexachlorobutadiène	0.044	0.001	> 98
hexachlorocyclopentadiène	0.060	0.000002	> 99
Lindane	0.055	0.00001	> 99
méthoxychlore	0.050	0.0001	> 99
pentachlorophénole	0.096	0.001	> 99
simazine	0.120	0.004	> 97
Styrène	0.150	0.0005	> 99
1,1,2,2-tétrachloroéthane	0.081	0.001	> 99
Tétrachloroéthylène	0.081	0.001	> 99
Toluène	0.078	0.001	> 99
2,4,5-TP (silvex)	0.270	0.0016	99
Acide tribromoacétique	0.042	0.001	> 98
1,2,4-Trichlorobenzène	0.160	0.0005	> 99
1,1,1-trichloroéthane	0.084	0.0046	95
1,1,2-trichloroéthane	0.150	0.0005	> 99
trichloroéthylène	0.180	0.0010	> 99
bromoforme	0.300	0.015	95
bromodichlorométhane	0.300	0.015	95
chlorodibromométhane	0.300	0.015	95
xylènes	0.070	0.001	>99
Méprobamate	400 +/- 20%	60	95.5
Aténolol	200 +/- 20%	30	95.9
Carbamazépine	1400 +/- 20%	200	98.6
diéthyltoluamide (DEET)	1400 +/- 20%	200	98.6
Métolachlore	1400 +/- 20%	200	98.7
Triméthoprim	140 +/- 20%	20	96.1
Linuron	140 +/- 20%	20	96.6
TCEP	5000 +/- 20%	700	98.1
TCPP	5000 +/- 20%	700	98.1
Phénytoïne	200 +/- 20%	30	96
Ibuprofène	400 +/- 20%	60	95.9
Naproxène	140 +/- 20%	20	96.5
Estrone	140 +/- 20%	20	97.1
Bisphénol A	2000 +/- 20%	300	99.1
Nonylphénol	1400 +/- 20%	200	97.3

## Conditions d'application/Paramètres d'alimentation d'eau

Débit de service	0,5 gal./min. (1,89 l/min.)
Alimentation d'eau	Eau potable
Pression d'eau	25-120 psi (172-827 kPa)
Température de l'eau	33°F-100°F (0.6°C-38°C)
Capacité	170 gallons (643,5 litres)

Le rendement du produit sera conforme à ce qui est promis à condition que l'installation, l'entretien et le remplacement du filtre s'effectuent selon les recommandations du fabricant.

**Remarque :** Bien que les tests aient été réalisés dans des conditions où les tests aient été réalisés dans des conditions de laboratoire.

Cartouche de rechange : XWF. Pour une estimation du coût des pièces de rechange, visitez notre site Web [cafeappliances.ca](http://cafeappliances.ca).

## ⚠ AVERTISSEMENT Pour réduire le risque associé à l'ingestion de contaminants :

- **N'utilisez pas l'appareil avec de l'eau d'une qualité incertaine ou non potable sur le plan microbiologique sans une désinfection en amont et en aval du système.** Les systèmes homologués relativement à la réduction d'oocystes peuvent être utilisés avec de l'eau désinfectée pouvant contenir des oocystes filtrables.

## AVIS

### Pour réduire le risque de fuite ou d'inondation et pour garantir un rendement optimal du filtre :

- Lisez et observez les instructions d'utilisation avant l'installation et l'utilisation de ce système.
- L'installation et l'utilisation DOIVENT satisfaire tous les codes de plomberie locaux et nationaux.
- Ne procédez pas à l'installation si la pression d'eau excède 120 psi (827 kPa). Si votre pression d'eau excède 80 psi (552 kPa), vous devez poser une valve de limitation de pression. Faites appel à un plombier si vous avez des doutes sur la façon de mesurer votre pression d'eau.
- Ne procédez pas à l'installation si une condition de coup de bélier est susceptible de survenir. Si cette condition existe, vous devez poser un antibélier. Faites appel à un plombier si vous avez des doutes sur la manière d'identifier cette condition.
- Ne procédez pas à l'installation sur des conduites d'eau chaude. La température de service maximale de l'eau pour ce système de filtre est de 100 °F (38 °C).
- Protégez le filtre contre le gel. Drainez le filtre lorsque la température tombe sous 33 °F (0,6 °C).
- Remplacez la cartouche filtrante jetable tous les six mois, ou plus tôt si vous vous constatez une réduction appréciable du débit d'eau.
- L'omission de remplacer la cartouche filtrante jetable aux intervalles recommandés peut mener à une réduction du rendement du filtre et au fendillement du boîtier du filtre, entraînant ainsi des fuites ou l'inondation.
- Ce système a été mis à l'essai conformément aux normes 42, 53 et 401 de la NSF/ANSI relatives à la réduction des substances énumérées ci-dessous. La concentration des substances mentionnées dans l'eau entrant dans le système a été réduite à une valeur inférieure ou égale à la limite admissible pour l'eau quittant le système, tel que stipulé dans les normes 42, 53 et 401 de la NSF/ANSI.



Le système XWF est certifié par l'IAPMO R&T en vertu des normes 42, 53, 401 de la NSF/ANSI relatives à la réduction des allégations spécifiées sur la fiche technique de rendement et le site [iapmort.org](http://iapmort.org).

# Notes

---

# Notes

---

# Soutien au consommateur

---

## Site Web de Café

Vous avez une question ou vous avez besoin d'aide pour votre appareil électroménager? Visitez le site Web de Café 24 heures par jour, tous les jours de l'année! Vous pouvez aussi y trouver d'autres formidables produits Café et tirer avantage de tous nos services d'assistance en ligne. Aux États-Unis : [cafeappliances.com](http://cafeappliances.com)  
Au Canada : [cafeappliances.ca](http://cafeappliances.ca)

---

## Enregistrez votre électroménager

Enregistrez votre nouvel appareil en ligne au moment qui vous convient le mieux! L'enregistrement de votre produit dans les délais prescrits permet une meilleure communication et un service rapide, selon les modalités de votre garantie, si besoin est. Vous pouvez également envoyer par courrier la carte d'enregistrement pré-imprimée qui se trouve dans l'emballage de votre appareil.

Aux États-Unis : [cafeappliances.com/register](http://cafeappliances.com/register)

Au Canada : [cafeappliances.ca/register](http://cafeappliances.ca/register)

---

## Service de réparation

Un service de réparation expert Café se trouve à quelques pas de chez vous. Rendez-vous sur notre site et programmez, à votre convenance, une visite de réparation à n'importe quel jour de l'année.

Aux États-Unis : [cafeappliances.com/service](http://cafeappliances.com/service)

Au Canada : [cafeappliances.ca/service](http://cafeappliances.ca/service)

---

## Prolongation de garantie

Procurez-vous une prolongation de garantie Café et informez-vous des rabais spéciaux en vigueur pendant la durée de votre garantie. Vous pouvez vous la procurer en ligne en tout temps. Les services Café seront toujours disponibles après l'expiration de la garantie. Aux États-Unis : [cafeappliances.com/service](http://cafeappliances.com/service)

Au Canada : [cafeappliances.ca/service](http://cafeappliances.ca/service)

---

## Pièces et accessoires

Les personnes ayant les compétences requises pour réparer elles-mêmes leurs appareils peuvent recevoir directement à la maison des pièces ou accessoires (les cartes VISA, MasterCard et Discover sont acceptées). Commandez en ligne 24 heures par jour.

Aux États-Unis : [cafeappliances.com](http://cafeappliances.com)

Au Canada : [cafeappliances.ca](http://cafeappliances.ca)

**Les instructions contenues dans le présent manuel comportent des procédures que tout utilisateur peut effectuer. Les autres types de réparation doivent généralement être confiés à un technicien qualifié. Utilisez de prudence : une réparation ou un entretien mal effectués peuvent rendre l'utilisation de l'appareil dangereuse.**

---

## Communiquez avec nous

Si vous n'êtes pas satisfait du service après-vente de Café, communiquez avec nous depuis notre site Web en fournissant tous les détails dont votre numéro de téléphone, ou écrivez à :

Aux États-Unis : General Manager, Customer Relations, Café | Appliance Park | Louisville, KY 40225

[cafeappliances.com/contact](http://cafeappliances.com/contact)

Au Canada : Director, Consumer Relations, Mabe Canada Inc. | Suite 310, 1 Factory Lane | Moncton, N.B. E1C 9M3

[cafeappliances.ca/contact](http://cafeappliances.ca/contact)

---