

# Haier

Installation and User Manual  
Installation et guide de l'utilisateur  
Manual de instalación y del usuario  
**DD410RS**

## Undercounter Dual-Drawer Refrigerator

Réfrigérateur à deux tiroirs

Refrigerador de doble cajón





# TABLE OF CONTENTS

<b>DUAL-DRAWER REFRIGERATOR SAFETY .....</b>	<b>2</b>
<b>PARTS AND FEATURES .....</b>	<b>5</b>
<b>INSTALLATION INSTRUCTIONS .....</b>	<b>6</b>
Tools Needed .....	6
Parts Supplied .....	6
Location Requirements .....	6
Electrical Requirements .....	7
<b>STEP BY STEP INSTRUCTIONS.....</b>	<b>8</b>
Step 1 - Unpack Dual-Drawer Refrigerator .....	8
Step 2 - Prepare Dual-Drawer Refrigerator.....	8
Step 3 - Install Dual-Drawer Refrigerator.....	9
<b>DUAL-DRAWER USE.....</b>	<b>10</b>
Drawer Features .....	11
<b>DUAL-DRAWER CARE .....</b>	<b>13</b>
<b>TROUBLESHOOTING .....</b>	<b>14</b>
<b>LIMITED WARRANTY .....</b>	<b>17</b>

## RECORD KEEPING

Thank you for purchasing this Haier product. This user manual will help you get the best performance from your new dual-drawer refrigerator.

For future reference, record the model number, serial number, and the date of purchase. The model/serial number plate is located on the outer, left-hand side of the upper drawer.

Staple your proof of purchase to this manual to aid in obtaining warranty service if needed.

---

Model number

---

Serial number

---

Date of purchase

## DUAL-DRAWER REFRIGERATOR SAFETY

### Your safety and the safety of others are very important.

We have provided many important safety messages in this manual and on your appliance. Always read and obey all safety messages.



This is the safety alert symbol.

This symbol alerts you to potential hazards that can kill or hurt you and others. All safety messages will follow the safety alert symbol and either the word "DANGER," "WARNING" or "CAUTION."

These words mean:



An imminently hazardous situation. You could be killed or seriously injured if you don't immediately follow instructions.



A potentially hazardous situation which, if not avoided, could result in death or serious bodily injury.



A potentially hazardous situation which, if not avoided, may result in moderate or minor injury.

All safety messages will tell you what the potential hazard is, tell you how to reduce the chance of injury, and tell you what can happen if the instructions are not followed.

# IMPORTANT SAFETY INSTRUCTIONS

**WARNING:** To reduce the risk of fire, electrical shock, injury to persons, or damage when using the dual-drawer refrigerator, follow basic precautions, including the following:

- Use this appliance only for its intended purpose as described in this user manual.
- This dual-drawer refrigerator must be properly installed in accordance with the installation instructions before it is used. See grounding instructions in the installation section.
- Disconnect power before servicing.
- Replace all parts and panels before operating.
- Do not repair or replace any part of the appliance unless specifically recommended in the manual. All other servicing should be referred to a qualified technician.
- Plug into a grounded 3 prong outlet.
- Do not remove ground prong.
- Do not use an adapter.
- Do not use an extension cord.
- Use nonflammable cleaner.
- Keep flammable materials and vapors, such as gasoline, away from dual-drawer refrigerator.
- Cabinet edges along stamp/cut-out areas may be sharp. Avoid placing hands, fingers or other appendages near these areas.
- If your dual-drawer refrigerator is not being used, remove the drawers. This will reduce the possibility of danger to children.
- Use two or more people to move and install dual-drawer refrigerator.

## READ AND SAVE THESE INSTRUCTIONS

State of California Proposition 65 Warnings:

**WARNING:** This product contains one or more chemicals known to the State of California to cause cancer.

**WARNING:** This product contains one or more chemicals known to the State of California to cause birth defects or other reproductive harm.

## PROPER DISPOSAL OF YOUR OLD REFRIGERATED APPLIANCE

### **WARNING**

#### **Suffocation Hazard**

Remove door or drawer(s) from your old refrigerated appliance.

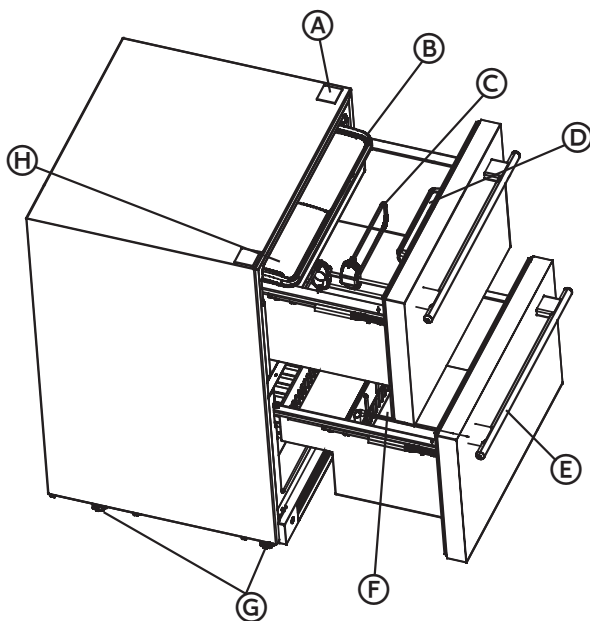
Failure to do so can result in death or brain damage.

**IMPORTANT:** Child entrapment and suffocation are not problems of the past. A junked or abandoned refrigerated appliance is still dangerous – even if it will sit for “just a few days.” If you are getting rid of your old refrigerated appliance, please follow these instructions to help prevent accidents.

#### **Before You Throw Away Your Old Refrigerated Appliance:**

- Remove the door or drawer(s).
- Leave any shelves in place so that children may not easily climb inside.

## PARTS AND FEATURES



Ⓐ Hole Cover

Ⓑ Crisper

Ⓒ Upper Drawer Divider

Ⓓ Control Panel

Ⓔ Handle

Ⓕ Lower Drawer Divider

Ⓖ Leveling Legs

Ⓗ Assessory Package  
(Anti-tip brackets and screws)

# INSTALLATION INSTRUCTIONS

## TOOLS NEEDED

- Phillips Screwdriver
- Measuring Tape
- Carpenter's Level

## PARTS SUPPLIED

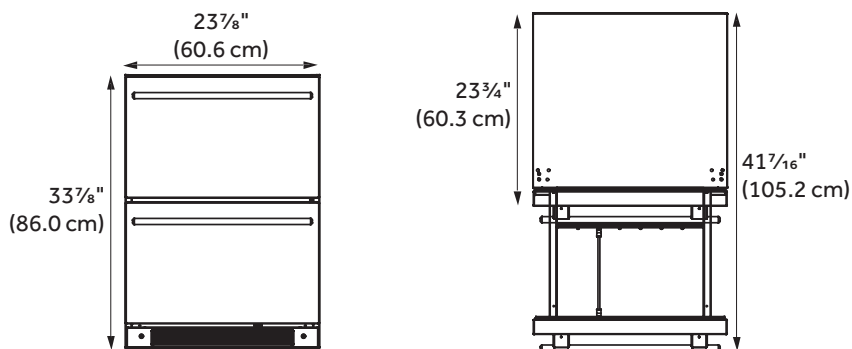
- Anti-tip Brackets
- Screws

## LOCATION REQUIREMENTS

This dual-drawer refrigerator is for built-in use only. Before use, this dual-drawer refrigerator must be installed properly.

**NOTE:** Allow the dual-drawer to sit upright on its base for at least one hour before installation.

## DUAL-DRAWER REFRIGERATOR DIMENSIONS





## ELECTRICAL REQUIREMENTS

### **⚠ WARNING**



#### **Electrical Shock Hazard**

Plug into a grounded 3 prong outlet.

Do not remove the ground prong from the power cord plug.

Do not use an adapter.

Do not use an extension cord.

Failure to do so can result in death, fire or electrical shock.

Before you move your dual-drawer refrigerator into its final location, it is important to make sure you have the proper electrical connection.

#### **Recommended Grounding Method**

A 115 volt, 60 Hz, AC only 15- or 20-amp fused, grounded electrical supply is required. It is recommended that a separate circuit serving only your dual-drawer refrigerator be provided. Use an outlet that cannot be turned off by a switch. Do not use an extension cord.

**NOTE:** Before performing any type of installation or cleaning, disconnect the dual-drawer refrigerator from the electrical source. When you are finished, reconnect the dual-drawer refrigerator to the electrical source and reset the temperature controls to the desired setting.

## STEP BY STEP INSTRUCTIONS

### STEP 1 - UNPACK DUAL-DRAWER REFRIGERATOR

#### **WARNING**

##### **Excessive Weight Hazard**

Use two or more people to move and install dual-drawer refrigerator.  
Failure to do so can result in back or other injury.

#### **WARNING**



##### **Cut Hazard**

Cabinet edges along stamp/cut-out areas may be sharp. Avoid placing hands, fingers or other appendages near these areas.

Failure to do so can result in cuts.

1. Remove and dispose of/recycle all packing materials. This includes the foam base and all adhesive tape. Remove all protective packaging covering the product.
2. Remove user manual and other printed material before turning on the dual-drawer refrigerator.
3. Clean the exterior surface with a soft cloth.

### STEP 2 - PREPARE DUAL-DRAWER REFRIGERATOR

1. Pull open the upper drawer. Remove the crisper bins and set aside.
2. Using two hands, lift up on the metal drawer divider rod to remove it from the slots in the front and rear of the drawer.
3. Once the drawer divider rod is out of the slots, turn the rod so that it is at an angle to the front of the drawer. Lift the rod slowly out of the drawer to avoid bumping into the control panel, and then set aside the divider assembly.
4. Close the upper drawer to avoid damage during installation.

## STEP 3 - INSTALL DUAL-DRAWER REFRIGERATOR

Depending on the material of your countertop, use either Method 1 - Install to Countertop or Method 2- Install to Adjacent Cabinet to secure your dual-drawer refrigerator.

### ⚠ WARNING



#### Tip Over Hazard

Do not use dual-drawer refrigerator until completely installed.

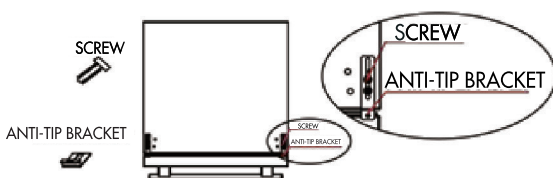
Do not push down on open drawer.

Failure to follow these instructions can result in serious injury or cuts.

## METHOD 1 - INSTALL TO COUNTERTOP

### Attach the Anti-Tip Brackets

1. Pry hole covers from the top of the cabinet to reveal the holes used to install the anti-tip brackets.
2. Open the upper drawer and leave it open to install the anti-tip bracket.
3. Remove the anti-tip brackets and screws from the accessory bag.
4. With the screws provided, fasten the anti-tip bracket to one side of the top of the cabinet



### Level the dual-drawer refrigerator

Adjustment of the leveling legs under the dual-drawer may be necessary for a proper fit in the cabinet opening.

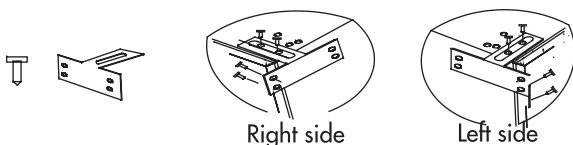
1. Adjust the height of the rear of the dual-drawer by raising or lowering the rear leveling legs, and then begin to slide the dual-drawer into the under counter opening.
2. Adjust the front of the dual-drawer, by raising or lowering the leveling legs, until it fits under the countertop, with enough space to install the anti-tip bracket to the underside of the countertop.

3. Raise the front leveling legs until the anti-tip bracket is flush with the underside of the countertop.
4. Install dual-drawer refrigerator to countertop.

## METHOD 2 - INSTALL TO ADJACENT CABINETS

### Attach Anti-Tip Brackets

1. Pry hole covers from the top of the cabinet to reveal the holes used to install the anti-tip brackets.
2. Open the upper drawer and leave it open to install the anti-tip brackets.
3. Remove the anti-tip brackets and screws from the accessory bag.
4. With the screws provided, fasten an anti-tip bracket to each side of the top of the cabinet



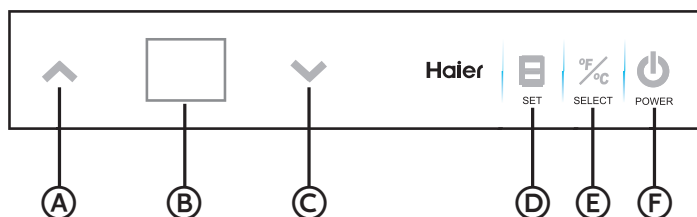
### Level the dual-drawer refrigerator

Adjustment of the leveling legs under the dual-drawer may be necessary for a proper fit in the cabinet opening.

1. Adjust the height of the rear of the dual-drawer by raising or lowering the rear leveling legs, and then begin to slide the dual-drawer into the under counter opening.
2. Adjust the front of the dual-drawer, by raising or lowering the leveling legs, until it fits under the countertop.
3. Install dual-drawer refrigerator to cabinets.

## DUAL-DRAWER USE

### CONTROL PANEL



- |                      |                      |
|----------------------|----------------------|
| (A) Temperature Up   | (D) Control Lock/Set |
| (B) LED Screen       | (E) °C/°F Conversion |
| (C) Temperature Down | (F) Power Switch     |

## TEMPERATURE SETTING

The temperature range of the dual-drawer refrigerator is 34°F to 45°F (1.1°C to 7.2°C).

If you want to change temperature, press SET for 3 seconds. The control will beep, and the temperature will flash in control panel. Adjust the temperature using the ▲ and ▼ buttons. When the desired temperature appears in the display, press SET to confirm. The control will beep, and the temperature will no longer flash.

## °C AND °F CONVERSION

Press and hold SELECT for 3 seconds. The Temperature display will change from degrees Fahrenheit to degrees Celsius. The control will beep once.

Press and hold SELECT for 3 seconds. The Temperature display will change from degrees Celsius to degrees Fahrenheit. The control will beep once.

## TURN ON/OFF COOLING

- Press and hold POWER for 3 seconds to turn off cooling. This does not disconnect power to the dual-drawer refrigerator.

### To turn off the dual-drawer for an extended period of time:

- Turn off dual drawer, and unplug from outlet.
- Remove food, and clean dual-drawer.
- Leave drawers ajar to prevent odors.

## SABBATH MODE

This feature is available for the observance of certain religious holidays. In Sabbath mode, the dual-drawer refrigerator continues to operate (compressor, magnetic valve, fan, heater strip), but all lights, including the display panel and the LEDs, will be off whether or not the door is open.

Press and hold the ▲ and ▼ buttons at the same time for 3 seconds. The control will beep once, and the display panel will flash 5 times and then stop, to indicate that the dual-drawer has entered Sabbath mode.

Press and hold the ▲ and ▼ buttons at the same time for 3 seconds to turn off the Sabbath Mode feature. The display panel flashes 5 times, to indicate the exit from Sabbath mode.

## DOOR AJAR ALARM

If a drawer is ajar for more than 3 minutes, the control panel will beep. If you want to stop the alarm without closing the drawer, press SET.

## DRAWER FEATURES

The dual-drawer refrigerator is designed to hold up to 88.2 lbs (40 kg) total or 44.1 lbs (20 kg) per drawer. The upper drawer will hold items that are up to 12" (30.5 cm) in height. The lower drawer is divided by a step. Items with a height greater than 12" (30.5 cm) can be stored in the section without the step.

## CRISPER

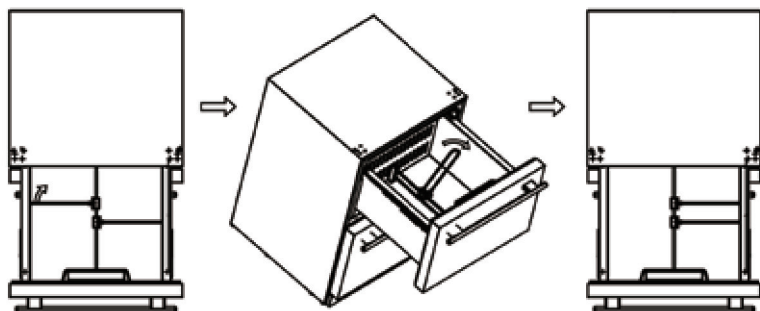
- The crisper is a convenient location to store fresh vegetables.
- A crisper with cover is located in the upper drawer.
- The crisper is removable when not in use.

## ADJUSTABLE DIVIDER

There is a divider in each drawer. For flexibility in food storage, you can adjust or remove the dividers.

### Adjust the Divider in the Upper Compartment:

The upper drawer is separated by dividers fastened to the bin cradle. The two dividers can be adjusted from either left to right, or back to front, as shown.



For ease in cleaning the drawer, you can remove the divider(s). See "Prepare Dual-Drawer Refrigerator."

### Adjust the divider in lower compartment:

For storage flexibility, the divider in the lower drawer can be inserted between any of the ridges in the front and back walls of the drawer.

## LIGHTS

**IMPORTANT:** Your dual-drawer refrigerator is equipped with LED lighting. These lights are designed to last for the life of your dual-drawer refrigerator. However, if the lights stop operating, contact a qualified technician for replacement.

An LED is located at the top of both the upper and lower drawers. The LED lights are controlled by drawer openings and closings. When a drawer is open, the LED is on. When the drawer is closed the LED is off.

**IMPORTANT:** There are magnets attached to the interior, left-hand side of the upper drawer, and to the bottom of lower drawer door. Do not remove the magnets because they are required for proper functioning of the light system.

## DUAL-DRAWER CARE

### CLEANING

The dual-drawer refrigerator defrosts automatically. The water on back wall drains into the water tank and is evaporated by the condenser.

#### **WARNING**



##### **Explosion Hazard**

Use nonflammable cleaner.

Failure to do so can result in death, explosion or fire.

#### **IMPORTANT:**

- Do not use harsh chemicals, ammonia, chlorine bleach, concentrated detergent, solvents, abrasives or metal scouring pads to clean your dual-drawer refrigerator inside or out. They can damage and/or discolor the dual-drawer refrigerator finish.
- Do not use warm water to clean glass shelves while they are still cold. Glass may break when exposed to sudden temperature changes or impact.

#### **WARNING**



##### **Electrical Shock Hazard**

Unplug your refrigerator or disconnect power before cleaning.

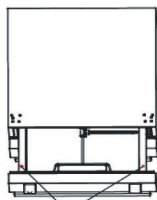
Failure to do so can result in death, electric shock or personal injury.

1. Unplug dual-drawer refrigerator or disconnect power.
2. Before using cleaning products, always read and follow manufacturer's instructions and warnings to avoid personal injury or product damage.
3. Wash interior surfaces, accessories, and outer frame with cold water and a little baking soda.
4. Dry thoroughly with a soft cloth.

- Clean the drain hole using a small, soft material such as a cotton swab. To access the drain hole, you must first remove the lower drawer.

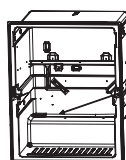
#### To remove the lower drawer:

- Slide out the lower drawer completely.
- Using a screwdriver, remove the 2 screws fastening the lower drawer to the drawer glides



Locations of screws

- Remove the lower drawer.
- Clean the drain hole illustrated below with a soft material such as cotton swab, then install the lower drawer according to the reverse procedure as above.



Location of drain hole

## TROUBLESHOOTING

Before you call for service...Please check the following troubleshooting tips before you call for service!

### DUAL DRAWER IS NOT OPERATING PROPERLY

Problem	Possible Cause	Solution
Dual-drawer refrigerator does not run	Dual-drawer refrigerator is unplugged	Plug power cord into power source.
	Breaker is tripped or turned off/Fuse is blown.	Reset/Turn on breaker or replace fuse.
Dual-drawer refrigerator compressor runs frequently or for long periods of time	Normal when first plugged in	Allow 24 hours for the dual-drawer refrigerator to cool completely
	Warm or large amounts of food added	This is normal
	Door is left ajar	Ensure that door is not being held open by an item
	Hot weather or frequent openings	This is normal to maintain constant temperature during hot and humid days
	Gasket is not sealing properly	Clean the gasket



Dual-drawer refrigerator has an odor	Food is not sealed or packaged properly	Reseal packaging. Place an opened box of baking soda in the dual-drawer refrigerator, replace every 3 months
	Interior needs to be cleaned	Clean the interior. See "Cleaning."
	Food stored too long	Dispose of spoiled food.
Light does not come on	Dual-drawer refrigerator is unplugged.	Plug into power source.
	LED light is burned out.	Contact a qualified technician to replace the burned out LED.
Drawers do not close properly	Dual-drawer refrigerator is not level	See "Leveling."
	Something is obstructing door closure	Check for and remove obstructions eg. bottles, food, spills, etc.
Vibration or rattling	Dual-drawer refrigerator is not resting firmly on floor	See "Leveling."
Normal Sounds	It sounds like water is flowing from the dual-drawer refrigerator	Refrigerant flowing in the lines will make this sound when the compressor starts and stops.
		The dual-drawer refrigerator has an automatic defrosting system. The defrosted water will make this sound.
	Humming or buzzing sounds	The compressor and fans for cold air circulation can make this sound. If the dual-drawer refrigerator is not level, the sound will be louder.
	Cracking or clicking sounds	The interior parts will make this sound as they contract and expand in response to temperature changes.

## TEMPERATURE AND MOISTURE

Problem	Possible Cause	Solution
Dual-drawer refrigerator is too warm	Temperature control is not set low enough	Adjust the temperature to a colder setting; allow 24 hours for the temperature to adjust
	Doors opened frequently or left open	Keep door closed / Check that a package is not preventing door from closing
	Warm food added recently	Allow time for food and dual-drawer refrigerator to cool
	Gasket is not sealing properly.	Clean the gasket
Dual-drawer refrigerator is too cold	Temperature control is set too low	Adjust temperature in the compartment to the next warmer setting; allow 24 hours to adjust
Moisture on exterior/ interior of the dual-drawer refrigerator	High humidity	This is normal. Dry surface and adjust temperature to slightly colder setting
	Doors opened frequently or left open	Keep door closed. Check that a package is not preventing door from closing
	Gasket is not sealing properly	Clean the gasket

**FOR MORE HELP, VISIT [HAIER.COM](http://HAIER.COM) OR CALL THE CONSUMER HELP LINE AT 1-877-377-3639.**

## LIMITED WARRANTY

### IN-HOME SERVICE

#### FULL ONE YEAR WARRANTY

##### 12 Months on Parts and Labor 5 Years on Sealed System

For 12 months from the date of original retail purchase, Haier will repair or replace any part free of charge including labor that fails due to a defect in materials or workmanship.

Haier may replace or repair at their sole discretion any part, sub system including the entire product.

Product must be accessible, without encumbrance and installed properly to receive for warranty repair service.

#### LIMITED WARRANTY

**NOTE:** This warranty commences on the date the item was purchased, and the original purchase receipt must be presented to the authorized service representative before warranty repairs are rendered.

**Exceptions:** Commercial Use Warranty

**90 days labor from date of original purchase**

**90 days parts from date of original purchase**

**No other warranty applies.**

#### FOR WARRANTY SERVICE

All service must be performed by a Haier authorized service center. For the name and telephone number of the nearest authorized service center, please call 1-877-337-3639.

Before calling please have available the following information:

Model number and serial number of your appliance. The name and address of the dealer you purchased the unit from and the date of purchase.

A clear description of the problem.

A proof of purchase (sales receipt).

**This warranty covers home appliance services within the contiguous United States and Canada and where available in Alaska, Hawaii and Puerto Rico.**

#### What is not covered by this warranty:

Replacement or repair of household fuses, circuit breakers, wiring or plumbing.

A product whose original serial number has been removed or altered.

Any service charges not specifically identified as normal such as normal service area or hours.

Damage incurred in shipping.

Damage caused by improper installation or maintenance.

Damage from misuse, abuse accident, fire, flood, or acts of nature.

Damage from service other than an authorized Haier dealer or service center.

Damage from incorrect electrical current, voltage or supply.

Damage resulting from any product modification, alteration or adjustment not authorized by Haier.

Adjustment of consumer operated controls as identified in the owner's manual.

Hoses, knobs, lint trays and all attachments, accessories and disposable parts.

Labor, service transportation, and shipping charges for the removal and replacement of defective parts beyond the initial 12-month period.

Damage from other than normal household use.

Any transportation and shipping charges.

**THIS LIMITED WARRANTY IS GIVEN IN LIEU OF ALL OTHER WARRANTIES, EXPRESS OR IMPLIED, INCLUDING BUT NOT LIMITED TO, THE WARRANTIES OF MERCHANTABILITY AND FITNESS FOR A PARTICULAR PURPOSE**

The remedy provided in this warranty is exclusive and is granted in lieu of all other remedies.

This warranty does not cover incidental or consequential damages, so the above limitations may not apply to you. Some states do not allow limitations on how long an implied warranty lasts, so the above limitations may not apply to you.

This warranty gives you specific legal rights, and you may have other rights, which vary from state to state.

Haier America  
Wayne, NJ 07470

# TABLE DES MATIÈRES

<b>SÉCURITÉ DU RÉFRIGÉRATEUR À DEUX TIROIRS .....</b>	<b>19</b>
<b>PIÈCES ET CARACTÉRISTIQUES .....</b>	<b>22</b>
<b>INSTRUCTIONS D'INSTALLATION .....</b>	<b>23</b>
Outils nécessaires .....	23
Pièces fournies.....	23
Exigences d'emplacement.....	23
Spécifications électriques.....	24
<b>INSTRUCTIONS ÉTAPE PAR ÉTAPE .....</b>	<b>25</b>
Étape 1 - Déballer le réfrigérateur à deux tiroirs .....	25
Étape 2 - Préparer le réfrigérateur à deux tiroirs.....	25
Étape 3 - Installer le réfrigérateur à deux tiroirs.....	26
<b>UTILISATION DU RÉFRIGÉRATEUR À DEUX TIROIRS .....</b>	<b>28</b>
Caractéristiques des tiroirs.....	29
<b>ENTRETIEN DU RÉFRIGÉRATEUR À DEUX TIROIRS.....</b>	<b>31</b>
<b>DÉPANNAGE.....</b>	<b>33</b>
<b>GARANTIE LIMITÉE.....</b>	<b>36</b>

## DOCUMENTS À CONSERVER

Merci d'avoir acheté ce produit Haier.

Ce manuel d'utilisation vous aidera à obtenir la meilleure performance possible de votre nouvelle cuisinière.

Pour référence ultérieure, inscrire le numéro de plaque signalétique situé sur le cadre à l'intérieur de la cuisinière, et la date d'achat.

Pour faciliter l'obtention d'un service sous garantie, agraffer la preuve de la date d'achat à ce manuel.

---

Numéro de modèle

---

Numéro de série

---

Date d'achat

## SÉCURITÉ DU RÉFRIGÉRATEUR À DEUX TIROIRS

### **Votre sécurité et celle des autres est très importante.**

Nous donnons de nombreux messages de sécurité importants dans ce manuel et sur votre appareil ménager. Assurez-vous de toujours lire tous les messages de sécurité et de vous y conformer.



Voici le symbole d'alerte de sécurité.

Ce symbole d'alerte de sécurité vous signale les dangers potentiels de décès et de blessures graves à vous et à d'autres. Tous les messages de sécurité suivront le symbole d'alerte de sécurité et le mot "DANGER," "AVERTISSEMENT" ou "ATTENTION."

Ces mots signifient :

**! DANGER**

Une situation de danger imminent. Vous courez le risque d'un décès ou de blessures graves si vous ne suivez pas immédiatement les instructions.

**! AVERTISSEMENT**

Une situation potentiellement dangereuse qui, si vous ne l'évitez pas, peut provoquer la mort ou des blessures graves.

**! ATTENTION**

Une situation potentiellement dangereuse qui, si vous ne l'évitez pas, peut entraîner des blessures légères à modérées.

Tous les messages de sécurité vous diront quel est le danger potentiel et vous disent comment réduire le risque de blessure et ce qui peut se produire en cas de non-respect des instructions.

# IMPORTANTES INSTRUCTIONS DE SÉCURITÉ

**AVERTISSEMENT :** Afin de réduire le risque d'incendie, de choc électrique, de blessures corporelles ou de dommage lors de l'utilisation de la cuisinière, il convient d'observer certaines précautions fondamentales, notamment :

- Utiliser cet appareil uniquement dans le but auquel il est destiné et tel que décrit dans le présent manuel d'utilisation.
- Avant d'être utilisé, ce réfrigérateur à deux tiroirs doit être correctement installé et placé dans la pièce, conformément aux instructions d'installation. Voir les instructions de mise à la terre incluses dans les instructions d'installation.
- Déconnecter la source de courant électrique avant l'entretien.
- Replacer pièces et panneaux avant de faire la mise en marche.
- Ne pas réparer ni remplacer une pièce quelconque de l'appareil sans recommandation spécifique du manuel. Toutes les autres tâches d'entretien doivent être effectuées par un technicien qualifié.
- Brancher sur une prise de courant à 3 alvéoles, reliée à la terre.
- Ne pas enlever la prise de liaison à la terre.
- Ne pas utiliser d'adaptateur.
- Ne pas utiliser de rallonge.
- Utiliser un produit de nettoyage ininflammable.
- Tenir les matières et les vapeurs inflammables, telles que l'essence, éloignées du réfrigérateur à deux tiroirs.
- Les bords de la caisse et les zones comportant un code d'identification ou des découpes peuvent être tranchants. Garder les mains, les doigts ou autres appendices éloignés de ces zones.
- Si le réfrigérateur à deux tiroirs n'est pas utilisé, ôter les tiroirs. Cela réduira le risque de danger pour les enfants.
- Utiliser au moins deux personnes pour déplacer et installer le réfrigérateur à deux tiroirs.

## LIRE ET CONSERVER CES INSTRUCTIONS

Avertissements de la proposition 65 de l'État de Californie :

**AVERTISSEMENT :** Ce produit contient au moins un produit chimique connu par l'État de Californie pour être à l'origine de cancers.

**AVERTISSEMENT :** Ce produit contient au moins un produit chimique connu par l'État de Californie pour être à l'origine de malformations et autres déficiences de naissance.

## MISE AU REBUT DE VOTRE VIEIL APPAREIL RÉFRIGÉRÉ

### **WARNING**

#### **Suffocation Hazard**

Remove door or drawer(s) from your old refrigerated appliance.

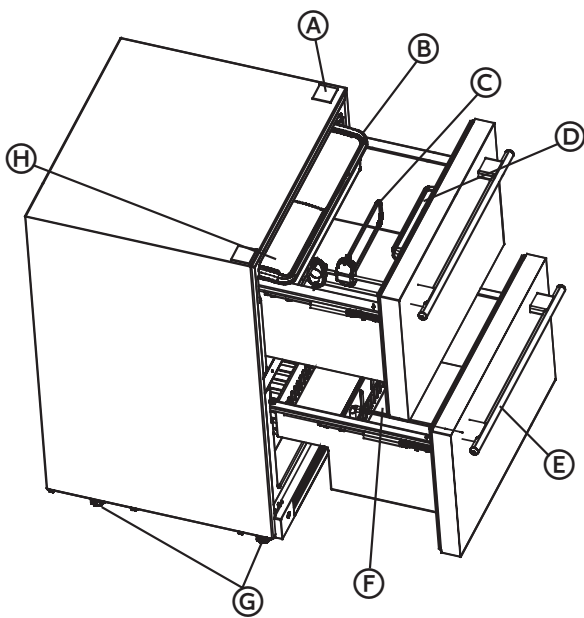
Failure to do so can result in death or brain damage.

**IMPORTANT :** Le problème des enfants pouvant se retrouver coincés et suffoquer n'est pas un problème du passé. Un appareil réfrigéré jeté ou abandonné est encore dangereux, même s'il est laissé abandonné pendant "quelques jours seulement". Si vous vous débarrassez de votre vieil appareil réfrigéré, veuillez suivre les instructions suivantes pour aider à éviter les accidents.

#### **Avant de jeter votre vieil appareil réfrigéré :**

- Ôter la porte et le(s) tiroir(s).
- Laisser les tablettes en place de sorte que les enfants ne puissent pas y pénétrer facilement.

## PIÈCES ET CARACTÉRISTIQUES



- Ⓐ Cache-trou
- Ⓑ Bac à légumes
- Ⓒ Séparateur du tiroir supérieur
- Ⓓ Poignée
- Ⓔ Poignée
- Ⓕ Séparateur du tiroir inférieur
- Ⓖ Pieds de nivellement
- Ⓗ Trousse d'accessoires (brides antibasculément et vis)



# INSTRUCTIONS D'INSTALLATION

## OUTILS NÉCESSAIRES

- Tournevis Phillips
- Niveau
- Mètre ruban

## PIÈCES FOURNIES

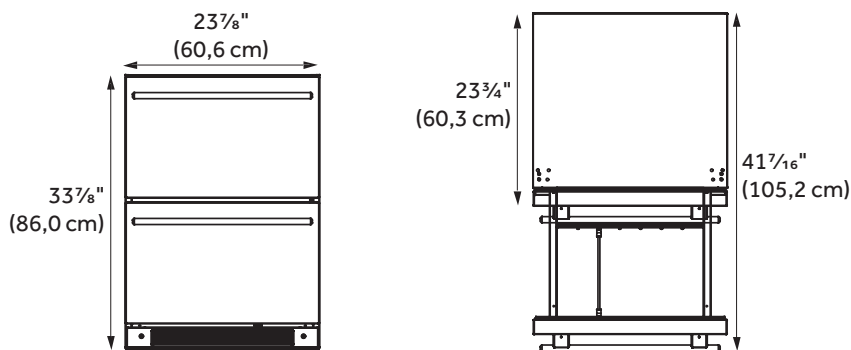
- Brides antibasculement
- Vis

## EXIGENCES D'EMPLACEMENT

Ce réfrigérateur à deux tiroirs est prévu pour une utilisation encastrée uniquement. Avant utilisation, ce réfrigérateur à deux tiroirs doit être correctement installé.

**REMARQUE :** Laisser le réfrigérateur à deux tiroirs debout sur son socle pendant au moins une heure avant installation.

## DIMENSIONS DU RÉFRIGÉRATEUR À DEUX TIROIRS



## SPÉCIFICATIONS ÉLECTRIQUES

# ⚠ AVERTISSEMENT



### Risque de choc électrique

Brancher sur une prise à 3 alvéoles reliée à la terre.

Ne pas enlever la broche de liaison à la terre du cordon d'alimentation.

Ne pas utiliser un adaptateur.

Ne pas utiliser un câble de rallonge.

Le non-respect de cette instruction pourrait causer un décès, un incendie ou un choc électrique.

Avant de déplacer le réfrigérateur à deux tiroirs à son emplacement final, il est important de vous assurer d'avoir le raccordement électrique approprié.

### Méthode recommandée de liaison à la terre

Chaque appareil doit être alimenté par un circuit 115 volts (CA seulement, 60 Hz) relié à la terre et protégé par un fusible de capacité 15 A ou 20 A. Il est recommandé d'utiliser un circuit distinct pour alimenter le réfrigérateur à deux tiroirs uniquement. Utiliser une prise de courant dont l'alimentation ne peut pas être interrompue par un interrupteur. Ne pas utiliser de rallonge.

**REMARQUE :** Avant d'effectuer tout type d'installation ou de nettoyage, déconnecter le réfrigérateur à deux tiroirs de la source de courant électrique. Une fois l'opération terminée, reconnecter le réfrigérateur à deux tiroirs à la source de courant électrique et remettre la commande de température au réglage désiré.

## INSTRUCTIONS ÉTAPE PAR ÉTAPE

### ÉTAPE 1 - DÉBALLER LE RÉFRIGÉRATEUR À DEUX TIROIRS

#### ⚠ AVERTISSEMENT

##### Risque du poids excessif

Utiliser au moins deux personnes pour déplacer et installer le réfrigérateur à deux tiroirs.

Le non-respect de cette instruction peut causer une blessure au dos ou d'autre blessure.

#### ⚠ AVERTISSEMENT



##### Risque de coupure

Les bords de la caisse et les zones comportant un code d'identification ou des découpes peuvent être tranchants. Garder les mains, les doigts ou autres appendices éloignés de ces zones.

Le non-respect de cette instruction peut causer des coupures.

1. Ôter et jeter/recycler tous les matériaux d'emballage. Ceci inclut le socle en polystyrène et tout le ruban adhésif. Ôter tout l'emballage protecteur recouvrant le produit.
2. Ôter le manuel d'utilisation et tout autre imprimé avant de mettre en marche le réfrigérateur à deux tiroirs.
3. Nettoyer la surface extérieure avec un chiffon doux.

### ÉTAPE 2 - PRÉPARER LE RÉFRIGÉRATEUR À DEUX TIROIRS

1. Ouvrir le tiroir supérieur en le tirant. Ôter les bacs à légumes et les mettre de côté.
2. Dégager des deux mains la tige métallique à l'avant et à l'arrière du tiroir. À deux mains, soulever la tige métallique du séparateur du tiroir et la dégager des encoches situées à l'avant et à l'arrière du tiroir.
3. Une fois que la tige du séparateur du tiroir est dégagée des encoches, tourner la tige pour former un angle à l'avant du tiroir. Soulever lentement la tige du tiroir pour éviter de la cogner sur le panneau de commande, puis mettre de côté le séparateur.
4. Fermer le tiroir supérieur pour éviter de l'endommager durant l'installation.

## ÉTAPE 3 - INSTALLER LE RÉFRIGÉRATEUR À DEUX TIROIRS

En fonction du matériau de votre plan de travail, utiliser soit la méthode 1 - Installation dans un plan de travail, soit la méthode 2 - Installation dans un placard adjacent pour fixer solidement le réfrigérateur à deux tiroirs.

### ⚠ AVERTISSEMENT



#### Risque de basculement

Ne pas utiliser le réfrigérateur à deux tiroirs si l'installation n'est pas terminée.

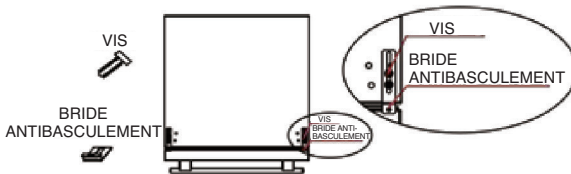
Ne pas appuyer sur un tiroir ouvert.

Le non-respect de ces instructions peut causer une blessure grave ou des coupures.

### MÉTHODE 1 - INSTALLATION DANS UN PLAN DE TRAVAIL

#### Fixer les brides antibasculement

1. Soulever les cache-trous du sommet de la caisse pour dévoiler les trous destinés à installer les brides antibasculement.
2. Ouvrir le tiroir supérieur et le laisser ouvert pour installer la bride antibasculement.
3. Ôter les brides antibasculement et les vis du sachet d'accessoires.
4. Fixer les brides antibasculement sur un côté du sommet de la caisse à l'aide des vis fournies.



## Régler l'aplomb du réfrigérateur à deux tiroirs

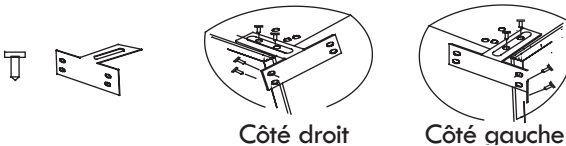
Il peut être nécessaire de régler les pieds de nivellement sous le réfrigérateur à deux tiroirs pour bien l'installer dans l'ouverture du placard.

1. Régler la hauteur de l'arrière du réfrigérateur à deux tiroirs en relevant ou en abaissant les pieds de nivellement arrière, puis en commençant à faire coulisser le réfrigérateur à deux tiroirs dans l'ouverture sous le plan de travail.
2. Régler l'avant du réfrigérateur à deux tiroirs, en relevant ou en abaissant les pieds de nivellement jusqu'à ce qu'il rentre sous le plan de travail, en laissant suffisamment d'espace pour installer la bride antibasculement sur le dessous du plan de travail.
3. Relever les pieds de nivellement avant jusqu'à ce que la bride antibasculement soit en affleurement avec le dessous du plan de travail.
4. Installer le réfrigérateur à deux tiroirs sous le plan de travail.

## MÉTHODE 2 - INSTALLATION DANS UN PLACARD ADJACENT

### Fixer les brides antibasculement

1. Soulever les cache-trous du sommet de la caisse pour dévoiler les trous destinés à installer les brides antibasculement.
2. Ouvrir le tiroir supérieur et le laisser ouvert pour installer les brides antibasculement.
3. Ôter les brides antibasculement et les vis du sachet d'accessoires.
4. Fixer les brides antibasculement sur chaque côté du sommet de la caisse à l'aide des vis fournies.



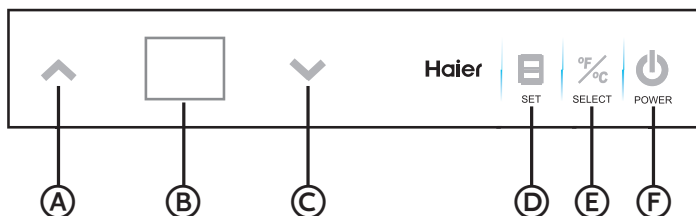
## Régler l'aplomb du réfrigérateur à deux tiroirs

Il peut être nécessaire de régler les pieds de nivellement sous le réfrigérateur à deux tiroirs pour bien l'installer dans l'ouverture du placard.

1. Régler la hauteur de l'arrière du réfrigérateur à deux tiroirs en relevant ou en abaissant les pieds de nivellement arrière, puis commencer à faire coulisser le réfrigérateur à deux tiroirs dans l'ouverture sous le plan de travail.
2. Régler l'avant du réfrigérateur à deux tiroirs en relevant ou en abaissant les pieds de nivellement, jusqu'à ce que le réfrigérateur rentre sous le plan de travail.
3. Installer le réfrigérateur à deux tiroirs dans le placard.

# UTILISATION DU RÉFRIGÉRATEUR À DEUX TIROIRS



## PANNEAU DE COMMANDE



- (A) Augmenter la température
- (B) Écran à DEL
- (C) Diminuer la température
- (D) Verrouillage/Réglage des commandes
- (E) Conversion °C/°F
- (F) Interrupteur d'alimentation

## RÉGLAGE DE TEMPÉRATURE

La gamme de températures pour le modèle de réfrigérateur à deux tiroirs s'étend de 34 °F à 45 °F (1,1 °C et 7,2 °C).

Si l'on souhaite modifier la température, appuyer sur SET (réglage) pendant 3 secondes. La commande émet un signal sonore et la température clignote sur le panneau de commande. Régler la température à l'aide des boutons  et . Lorsque la température souhaitée apparaît sur l'affichage, appuyer sur SET (réglage) pour confirmer. La commande émet un signal sonore et la température s'arrête de clignoter.

## CONVERSION ENTRE °C ET °F

Appuyer sur la touche SELECT (sélectionner) pendant 3 secondes. L'affichage de la température passe des degrés Fahrenheit aux degrés Celsius. La commande émet un signal sonore.

Appuyer sur la touche SELECT (sélectionner) pendant 3 secondes. L'affichage de la température passe des degrés Celsius aux degrés Fahrenheit. La commande émet un signal sonore.

## ALLUMER/ÉTEINDRE LE RÉFRIGÉRATEUR À DEUX TIROIRS

- Appuyer sur POWER (mise en route) pendant 3 secondes pour allumer et éteindre le réfrigérateur.

### Pour éteindre le réfrigérateur à deux tiroirs pendant une période prolongée :

- Éteindre le réfrigérateur à deux tiroirs et le débrancher de la prise.
- Ôter les aliments et nettoyer le réfrigérateur à deux tiroirs.
- Laisser les tiroirs entrouverts pour éviter les odeurs.

## MODE SABBAT

Cette caractéristique est disponible pour le respect de certaines fêtes religieuses. En mode Sabbat, le réfrigérateur à deux tiroirs continue de fonctionner (compresseur, électrovanne, ventilateur, circuit de l'élément chauffant) mais toutes les lumières, notamment celle du panneau de commande et les DEL sont éteintes, que la porte soit ouverte ou fermée.

Appuyer simultanément sur les boutons  et  pendant 3 secondes. La commande émet un signal sonore et le panneau d'affichage clignote 5 fois puis s'arrête pour indiquer que le réfrigérateur à deux tiroirs est entré en mode Sabbat.

Appuyer simultanément sur les boutons  et  pendant 3 secondes pour désactiver le mode Sabbat. Le panneau d'affichage clignote 5 fois pour indiquer la sortie du mode Sabbat.

## ALARME DE PORTE ENTROUVERTE

Si un tiroir est entrouvert pendant plus de 3 minutes, le panneau de commande émet un signal sonore. Pour arrêter l'alarme sans fermer le tiroir, appuyer sur SET (réglage).

## CARACTÉRISTIQUES DES TIROIRS

Le réfrigérateur à deux tiroirs est conçu pour contenir des charges allant jusqu'à 88,2 lb (40 kg) au total, ou 44,1 lb (20 kg) par tiroir. Le tiroir supérieur peut contenir des articles d'une hauteur maximum de 12" (30,5 cm). Le tiroir inférieur est divisé par une cloison. Les articles d'une hauteur supérieure à 12" (30,5 cm) peuvent être rangés dans la section sans cloison.

## BAC À LÉGUMES

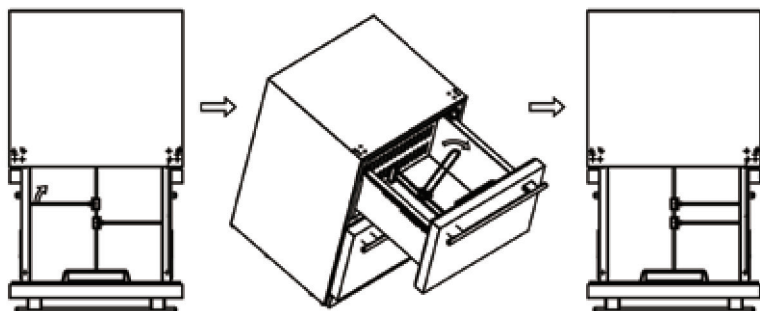
- Le bac à légumes est un endroit pratique pour ranger les légumes frais.
- Un bac à légumes avec couvercle se trouve dans le tiroir supérieur.
- Le bac à légumes peut être retiré lorsqu'il n'est pas utilisé.

## SÉPARATEUR RÉGLABLE

Chaque tiroir est équipé d'un séparateur. Pour ranger les aliments plus librement, les séparateurs peuvent être réglés ou retirés.

### Réglage du séparateur du compartiment supérieur :

Le tiroir supérieur est divisé par des séparateurs attachés au support du bac. Les deux séparateurs peuvent être réglés soit de gauche à droite, soit de l'arrière vers l'avant comme illustré.



Pour faciliter le nettoyage, les séparateurs peuvent être retirés. Voir "Préparation du réfrigérateur à deux tiroirs".

### Réglage du séparateur du compartiment inférieur :

Pour ranger les aliments plus librement, le séparateur du tiroir inférieur peut être inséré entre n'importe laquelle des encoches des parois avant et arrière du tiroir.

## ÉCLAIRAGE

**IMPORTANT :** Le réfrigérateur à deux tiroirs est équipé d'un éclairage DEL. Cet éclairage est conçu pour durer toute la durée de vie du réfrigérateur à deux tiroirs. Toutefois, si l'éclairage s'arrête de fonctionner, contacter un technicien qualifié pour effectuer le remplacement.

Une DEL se situe en haut des tiroirs supérieur et inférieur. L'éclairage DEL est contrôlé par l'ouverture et la fermeture des tiroirs. Lorsqu'un tiroir est ouvert, la DEL est allumée. Lorsque le tiroir est fermé, la DEL est éteinte.

**IMPORTANT :** Des aimants sont fixés sur la partie intérieure gauche du tiroir supérieur et au bas de la porte du tiroir inférieur. Ne pas retirer les aimants, car ceux-ci sont nécessaires au bon fonctionnement du système d'éclairage.



# ENTRETIEN DU RÉFRIGÉRATEUR À DEUX TIROIRS

## NETTOYAGE

Le réfrigérateur à deux tiroirs se dégivre automatiquement. L'eau sur la paroi arrière se vidange dans le réservoir d'eau et s'évapore par le condensateur.

### **⚠ AVERTISSEMENT**



#### **Risque d'explosion**

Utiliser un produit de nettoyage ininflammable.

Le non-respect de cette instruction peut causer un décès, une explosion ou un incendie.

#### **IMPORTANT :**

- Ne pas utiliser de produits chimiques corrosifs, d'ammoniaque, d'agent de blanchiment, de détergents concentrés, de solvant ou de tampons à récurer métalliques ou abrasifs pour nettoyer l'intérieur ou l'extérieur du réfrigérateur à deux tiroirs. Ceux-ci peuvent endommager et/ou décolorer le fini du réfrigérateur à deux tiroirs.
- Ne pas nettoyer les tablettes de verre à l'eau chaude lorsque celles-ci sont encore froides. Le verre peut se briser lorsqu'il est exposé à un impact ou à un changement brusque de température.

# ⚠ AVERTISSEMENT



## Risque de choc électrique

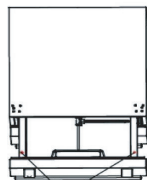
Débrancher le réfrigérateur ou déconnecter la source de courant électrique avant de le nettoyer.

Le non-respect de cette instruction peut causer un décès, un choc électrique ou blessures.

1. Débrancher le réfrigérateur à deux tiroirs ou déconnecter la source de courant électrique.
2. Avant d'utiliser des produits de nettoyage, toujours lire et suivre les instructions et avertissements du fabricant afin d'éviter toute blessure ou dommage du produit.
3. Laver les surfaces intérieures, les accessoires et le cadre extérieur à l'eau froide avec un peu de bicarbonate de soude.
4. Sécher soigneusement avec un chiffon doux.
5. Nettoyer le trou d'écoulement à l'aide d'un petit ustensile doux comme par exemple un coton-tige. Pour accéder au trou d'écoulement, il faut au préalable ôter le tiroir inférieur.

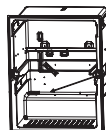
### Pour retirer le tiroir inférieur :

1. Sortir complètement le tiroir en le faisant coulisser.
2. À l'aide d'un tournevis, retirer les 2 vis fixant le tiroir inférieur aux rails du tiroir.



Emplacement des vis

3. Ôter le tiroir inférieur.
4. Nettoyer le trou d'écoulement comme illustré ci-dessous à l'aide d'un ustensile doux comme par exemple un coton-tige, puis installer le tiroir inférieur en suivant les étapes ci-dessus en sens inverse.



Emplacement du trou d'écoulement

## DÉPANNAGE

Avant d'effectuer un appel de service... Veuillez passer en revue les conseils de dépannage suivants avant d'effectuer un appel de service!

### LE RÉFRIGÉRATEUR À DEUX TIROIRS NE FONCTIONNE PAS CORRECTEMENT

Problème	Cause possible	Solution
Le réfrigérateur à deux tiroirs ne se met pas en route	Le réfrigérateur à deux tiroirs est débranché	Brancher le cordon d'alimentation électrique dans la prise de courant.
	Le disjoncteur est ouvert ou déclenché/un fusible est grillé	Réenclencher le disjoncteur ou remplacer le fusible
Le compresseur du réfrigérateur à deux tiroirs se met en route souvent ou pendant des périodes prolongées	Ceci est normal lorsque le réfrigérateur est branché pour la première fois	Accorder 24 heures pour que le réfrigérateur à deux tiroirs se refroidisse complètement
	Des aliments chauds ou de grosses quantités d'aliments ont été ajoutés	Ceci est normal
	La porte a été laissée entrouverte	S'assurer qu'un article ne bloque pas la fermeture de la porte
	Temps chaud ou ouvertures fréquentes	Ceci est normal pour maintenir une température constante lorsqu'il fait chaud et humide
	Le joint n'est pas hermétique	Nettoyer le joint
Il y a une odeur dans le réfrigérateur à deux tiroirs	Les emballages alimentaires ne sont pas étanches ou les aliments ne sont pas emballés correctement	Refermer hermétiquement les emballages. Placer une boîte ouverte de bicarbonate de soude dans le réfrigérateur à deux tiroirs, la remplacer tous les 3 mois
	L'intérieur a besoin d'être nettoyé	Nettoyer l'intérieur. Voir "Nettoyage"
	Les aliments ont été conservés trop longtemps	Jeter les aliments gâtés
La lumière ne s'allume pas	Le réfrigérateur à deux tiroirs est débranché	Le brancher à la source de courant électrique
	L'ampoule DEL est grillée.	Contacteur un technicien qualifié pour remplacer la DEL grillée
Les tiroirs ne ferment pas correctement	Le réfrigérateur à deux tiroirs n'est pas d'aplomb	Voir "Réglage de l'aplomb"
	Quelque chose bloque la fermeture de la porte	Vérifier si la porte rencontre une obstruction (p. ex. bouteilles, aliments, renversements, etc.) et la retirer

Vibration ou cliquetis	Le réfrigérateur à deux tiroirs n'est pas en contact ferme avec le plancher	Voir "Réglage de l'aplomb"
Sons normaux	Son donnant l'impression que de l'eau s'écoule du réfrigérateur à deux tiroirs	Ce son est émis par le réfrigérant qui s'écoule dans les canalisations lorsque le compresseur se met en marche et s'arrête
		Le réfrigérateur à deux tiroirs est équipé d'un système de dégivrage automatique. Ce son est émis par l'eau dégivrée
	Ronflement ou bourdonnement	Ce son peut être émis par le compresseur et les ventilateurs servant à la circulation de l'air froid. Si le réfrigérateur n'est pas d'aplomb, le son sera plus fort
	Craquement ou cliquetis	Ce son est émis par les parties intérieures lorsqu'elles se contractent ou se dilatent en réponse à des changements de température

## TEMPÉRATURE ET HUMIDITÉ

Problème	Possible Cause	Solution
Le réfrigérateur à deux tiroirs est trop chaud	La commande de température n'a pas été réglée à un point assez bas	Régler la température à un point plus froid; attendre 24 heures que la température s'ajuste
	Porte ouverte souvent ou laissée ouverte	Maintenir la porte fermée / Vérifier qu'un emballage ne bloque pas la fermeture de la porte
	Des aliments tièdes ont été ajoutés récemment	Attendre que les aliments et le réfrigérateur à deux tiroirs aient refroidi
	Le joint n'est pas hermétique	Nettoyer le joint
Le réfrigérateur à deux tiroirs est trop froid	La commande de température a été réglée à un point trop bas	Augmenter la température du compartiment au prochain palier; attendre 24 heures que la température s'ajuste
Humidité sur l'extérieur/ l'intérieur du réfrigérateur à deux compartiments	Forte présence d'humidité	Ceci est normal. Sécher la surface et régler la température à un point légèrement plus froid
	Porte ouverte souvent ou laissée ouverte	Garder la porte fermée. Vérifier qu'un emballage ne bloque pas la fermeture de la porte
	Le joint n'est pas hermétique	Nettoyer le joint

**POUR OBTENIR DE L'AIDE SUPPLÉMENTAIRE, VISITER HAIER.COM OU CONTACTER LA LIGNE D'ASSISTANCE À LA CLIENTÈLE AU 1-877-377-3639.**

# GARANTIE LIMITÉE

## SERVICE À DOMICILE GARANTIE COMPLÈTE DE UN AN 12 mois sur les pièces et la main d'œuvre 5 ans sur le système scellé

Pendant 12 mois à compter de la date d'achat d'origine, Haier réparera ou remplacera gratuitement n'importe quelle pièce (main-d'œuvre comprise) comportant un défaut de matériau ou de fabrication.

Haier peut choisir à sa seule discrétion de remplacer ou réparer des pièces, des sous-systèmes ou le produit tout entier.

Le produit doit être accessible, dégagé et installé correctement pour bénéficier du service de réparation sous garantie.

## GARANTIE LIMITÉE

Au-delà d'un an après la date d'achat d'origine, Haier fournira gratuitement une pièce (tel qu'indiqué cidessous) pour remplacer ladite pièce suite à un défaut de matériau ou de fabrication. Haier assume l'entière responsabilité du coût de cette pièce. Tous autres frais, tels les frais de main-d'œuvre, de déplacement, etc, sont à la charge du propriétaire.

### Deuxième à troisième année

Pendant 36 mois suivant la date d'achat initiale, Haier s'engage à offrir une pièce de remplacement pour toute pièce défectueuse dû à un défaut de fabrication.

### Cuve en acier inoxydable et doublure de porte

La cuve en acier inoxydable et la doublure de la porte sont garantis contre la perforation par rouille pour la durée de vie du lave-vaisselle.

**REMARQUE :** Cette garantie prend effet à la date à laquelle l'article a été acheté et le reçu de l'achat d'origine doit être présenté au représentant de dépannage autorisé avant qu'une quelconque réparation sous garantie ne soit effectuée.

**Exceptions :** Garantie pour usage commercial  
**90 jours sur la main-d'œuvre à compter de la date d'achat d'origine**

**90 jours sur les pièces à compter de la date d'achat d'origine**

**Aucune autre garantie ne s'applique.**

## SERVICE AU TITRE DE LA GARANTIE

Tout dépannage doit être effectué par un centre de dépannage autorisé Haier. Pour le nom et le numéro de téléphone du centre de dépannage autorisé le plus proche de votre domicile, composer le 1-877-337-3639.

Avant d'appeler le centre, veuillez garder à disposition les renseignements suivants :  
Numéros de plaque signalétique de l'appareil. Le nom et l'adresse du revendeur auprès duquel vous avez acheté l'appareil, ainsi que la date d'achat.

Une description claire du problème rencontré.

Une preuve d'achat (reçu de vente).

**Cette garantie est valable pour le service des appareils domestiques aux États-Unis contigus et au Canada et lorsque le service est disponible, en Alaska, à Hawaï et Porto Rico.**

### Cette garantie ne couvre pas :

Le remplacement ou la réparation des fusibles, disjoncteurs, du câblage ou du circuit de plomberie du domicile.

Un produit dont le numéro de série d'origine a été enlevé ou modifié.

Tous frais de dépannage non identifiés comme étant normaux tel un dépannage dans une zone ou une tranche horaire normale.

Les dommages liés à l'expédition.

Les dommages liés à une installation ou un entretien inadapté.

Les dommages causés par l'un des éléments suivants : Mauvaise utilisation, utilisation abusive, accident, incendie ou catastrophe naturelle.

Les dommages résultant d'un dépannage fourni par une entité autre qu'un revendeur ou centre de dépannage autorisé Haier.

Les dommages causés par un courant, une tension ou une alimentation électrique incorrects.

Les dommages résultant d'une quelconque modification ou altération du produit ou d'un ajustement non autorisé par Haier.

Un ajustement des commandes utilisées par le consommateur tel qu'identifiées dans le manuel de l'utilisateur.

Les tuyaux, boutons, plateaux à charpie et tout accessoire ou pièce jetable.

Les frais de main-d'œuvre, transport pour dépannage et d'expédition pour le retrait et le remplacement de pièces défectueuses au-delà de la période de 12 mois.

Les dommages liés à une utilisation autre qu'une utilisation domestique normale.

Tout frais de transport et d'expédition.

## **CETTE GARANTIE LIMITÉE REMPLACE TOUTE AUTRE GARANTIE EXPRESSE OU IMPLICITE, Y COMPRIS LES GARANTIES DE COMMERCIALISATION OU DE PERTINENCE À UN USAGE PARTICULIER**

Le recours offert dans cette garantie est exclusif et se substitue à toute autre garantie.

Cette garantie ne couvre pas les dommages fortuits ou indirects; aussi les limitations décrites ci-dessus peuvent ne pas s'appliquer à votre cas. Certains États ne permettent pas de limitation sur la durée d'une garantie implicite, aussi les limitations décrites ci-dessus peuvent ne pas s'appliquer à votre cas.

Cette garantie vous confère des droits juridiques spécifiques. Vous pouvez également jouir d'autres droits qui peuvent varier d'un État à l'autre.

Haier America  
Wayne, NJ 07470

# ÍNDICE

<b>SEGURIDAD DEL REFRIGERADOR DE DOBLE CAJÓN .....</b>	<b>38</b>
<b>PIEZAS Y CARACTERÍSTICAS .....</b>	<b>40</b>
<b>INSTRUCCIONES DE INSTALACIÓN .....</b>	<b>41</b>
Herramientas necesarias .....	41
Piezas suministradas .....	41
Requisitos de ubicación.....	41
Requisitos eléctricos .....	42
<b>INSTRUCCIONES DETALLADAS .....</b>	<b>43</b>
Paso 1 - Cómo desempacar el refrigerador de doble cajón .....	43
Paso 2 - Preparación del refrigerador de doble cajón .....	43
Paso 3 - Instalación del refrigerador de doble cajón .....	44
<b>USO DEL DOBLE CAJÓN.....</b>	<b>46</b>
Características de los cajones .....	47
<b>CUIDADO DEL DOBLE CAJÓN .....</b>	<b>49</b>
<b>SOLUCIÓN DE PROBLEMAS.....</b>	<b>51</b>
<b>GARANTÍA .....</b>	<b>53</b>

## INFORMACIÓN A TENER EN CUENTA

Le agradecemos la compra de este producto de marca Haier. Este manual para el usuario le ayudará a obtener el mejor funcionamiento de su nueva refrigerador de doble cajón.

Para referencia futura, anote el número de modelo y de serie, que están situados en el lado izquierdo del cajón superior del refrigerador de doble cajón y la fecha de compra.

Engrape la prueba de compra de este manual para asistirle cuando necesite obtener servicio bajo la garantía.

\_\_\_\_\_

Número de modelo

\_\_\_\_\_

Número de serie

\_\_\_\_\_

Fecha de compra

### Su seguridad y la seguridad de los demás es muy importante.

Hemos incluido muchos mensajes importantes de seguridad en este manual y en su electrodoméstico. Lea y obedezca siempre todos los mensajes de seguridad.



Este es el símbolo de advertencia de seguridad.

Este símbolo le llama la atención sobre peligros potenciales que pueden ocasionar la muerte o una lesión a usted y a los demás. Todos los mensajes de seguridad irán a continuación del símbolo de advertencia de seguridad y de la palabra "PELIGRO," "ADVERTENCIA" o "PRECAUCIÓN."

Estas palabras significan:

**! PELIGRO**

Se trata de una situación de peligro inminente. Si no sigue las instrucciones de inmediato, usted puede morir o sufrir una lesión grave.

**! ADVERTENCIA**

Se trata de una situación posiblemente peligrosa que, de no evitarse, podría causar la muerte o una lesión grave.

**! PRECAUCIÓN**

Se trata de una situación posiblemente peligrosa que, de no evitarse, podría causar lesiones moderadas o leves.

Todos los mensajes de seguridad le dirán el peligro potencial, le dirán cómo reducir las posibilidades de sufrir una lesión y lo que puede suceder si no se siguen las instrucciones.



# INSTRUCCIONES IMPORTANTES DE SEGURIDAD

**ADVERTENCIA:** Para reducir el riesgo de incendio, choque eléctrico, lesiones a personas o daños al utilizar la refrigerador de doble cajón, siga precauciones básicas, incluyendo las siguientes:

- Use este aparato solamente para el propósito que fue diseñado, como se describe en este manual para el usuario.
- Antes de usar el refrigerador de doble cajón, se deberá instalar correctamente de acuerdo con las instrucciones de instalación. Vea las instrucciones de conexión a tierra en la sección de instalación.
- Desconecte el suministro de energía antes de darle servicio técnico.
- Vuelva a colocar todas las piezas y paneles antes de ponerlo en funcionamiento.
- No repare ni reemplace ninguna pieza del aparato, salvo que se recomiende específicamente en el manual. Cualquier otro servicio técnico, se debe dejar en manos de un técnico calificado.
- Conecte el aparato a un tomacorriente de 3 terminales con conexión a tierra.
- No quite el terminal de conexión a tierra.
- No use un adaptador.
- No use un cable eléctrico de extensión.
- Use un limpiador no inflamable.
- Mantenga los materiales y vapores inflamables, tales como gasolina, alejados del refrigerador de doble cajón.
- Los bordes del armario a lo largo de las áreas de estampado/recortes podrían tener filo. Evite colocar las manos, los dedos u otras partes del cuerpo cerca de estas áreas.
- Si no utiliza el refrigerador de doble cajón, quite los cajones. De esta manera, reducirá la posibilidad de ocasionar daños a los niños.
- Con la ayuda de dos o más personas, mueva e instale el refrigerador de doble cajón.

## LEA Y GUARDE ESTAS INSTRUCCIONES

Advertencias de la Proposición 65 del estado de California:

**ADVERTENCIA:** Este producto contiene una o más sustancias químicas identificadas por el estado de California como causantes de cáncer.

**ADVERTENCIA:** Este producto contiene una o más sustancias químicas identificadas por el estado de California como causantes de defectos congénitos o algún otro tipo de daños en la función reproductora.

## CÓMO DESHACERSE ADECUADAMENTE DE SU APARATO REFRIGERADOR VIEJO

### ! ADVERTENCIA

#### Peligro de asfixia

Quite la puerta o el(los) cajón(cajones) de su aparato refrigerador viejo.

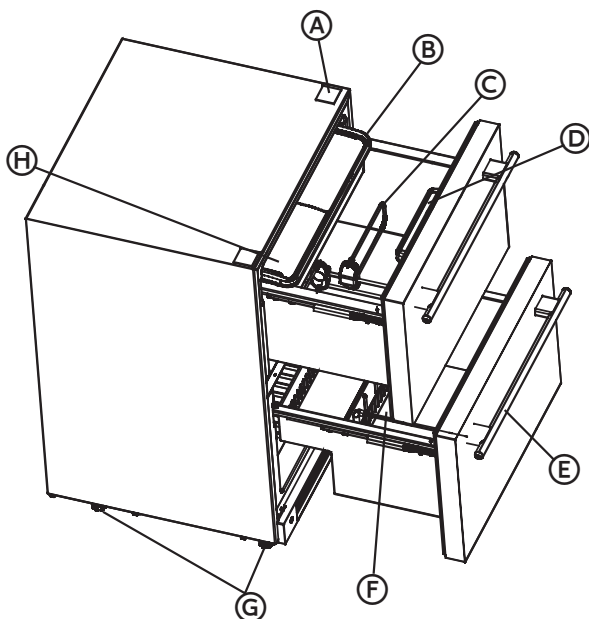
No seguir esta instrucción puede ocasionar la muerte o daño al cerebro.

**IMPORTANTE:** El atrapamiento y asfixia de niños no es un problema del pasado. Un aparato refrigerador desechado y abandonado es un peligro, aún si va a quedar ahí "por unos pocos días". Si usted está por deshacerse de su aparato refrigerador viejo, siga las instrucciones a continuación para evitar accidentes.

#### Antes de descartar su aparato refrigerador viejo:

- Quite la puerta o el(los) cajón(cajones).
- Deje los estantes en su lugar así los niños no pueden meterse adentro con facilidad.

## PIEZAS Y CARACTERÍSTICAS



(A) Cubierta del orificio

(B) Cajón para verduras

(C) Divisor del cajón superior

(D) Panel de control

(E) Manija

(F) Divisor del cajón inferior

(G) Patas niveladoras

(H) Paquete de accesorios  
(Soportes antivuelco y tornillos)

# INSTRUCCIONES DE INSTALACIÓN

## HERRAMIENTAS NECESARIAS

- Destornillador Phillips
- Nivel de carpintero
- Cinta de medir

## PIEZAS SUMINISTRADAS

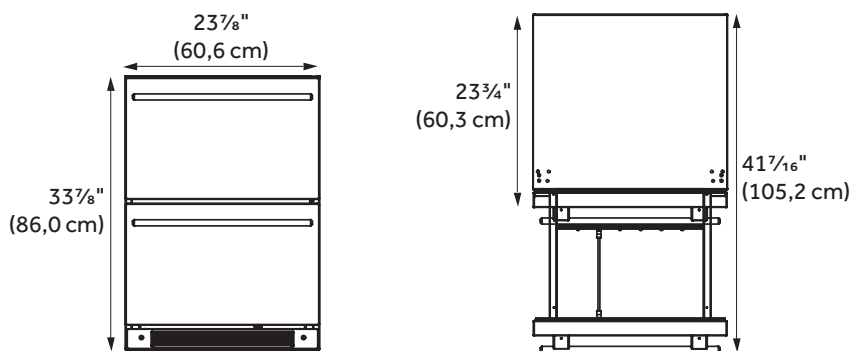
- Soportes antivuelco
- Tornillos

## REQUISITOS DE UBICACIÓN

Este refrigerador de doble cajón solo se debe utilizar empotrado. Antes de usarlo, deberá estar correctamente instalado.

**NOTA:** Deje que el refrigerador de doble cajón esté de pie sobre su base durante, al menos, una hora antes de la instalación.

## DIMENSIONES DEL REFRIGERADOR DE DOBLE CAJÓN



## REQUISITOS ELÉCTRICOS

# ⚠ ADVERTENCIA



### **Peligro de Choque Eléctrico**

Conecte a un contacto de pared de conexión a tierra de 3 terminales.

No quite el terminal de conexión a tierra del cable de alimentación.

No use un adaptador.

No use un cable eléctrico de extensión.

No seguir estas instrucciones puede ocasionar la muerte, incendio o choque eléctrico.

Antes de mover el refrigerador de doble cajón a su ubicación final, es importante asegurarse de que tiene la conexión eléctrica adecuada.

### **Método de conexión a tierra recomendado**

Se requiere un suministro eléctrico de 115 voltios, 60 hertzios, CA solamente, de 15 o 20 amperios y protegido con fusibles, conectado a tierra. Se recomienda que use un circuito separado solo para su refrigerador de doble cajón. Use un tomacorriente que no se pueda apagar con un interruptor. No use un cable eléctrico de extensión.

**NOTA:** Antes de realizar cualquier tipo de instalación o limpieza, desconecte el refrigerador de doble cajón de la fuente de energía eléctrica. Cuando haya terminado, reconecte el refrigerador de doble cajón a la fuente de energía eléctrica y vuelva a fijar los controles de temperatura en el ajuste deseado.

## INSTRUCCIONES DETALLADAS

### PASO 1 - CÓMO DESEMPACAR EL REFRIGERADOR DE DOBLE CAJÓN

#### ! ADVERTENCIA

##### Peligro de Peso Excesivo

Con la ayuda de dos o más personas, mueva e instale el refrigerador de doble cajón.

No seguir esta instrucción puede ocasionar una lesión en la espalda u otro tipo de lesiones.

#### ! ADVERTENCIA



##### Peligro de Cortaduras

Los bordes del armario a lo largo de las áreas de estampado/recortes podrían tener filo. Evite colocar las manos, los dedos u otras partes del cuerpo cerca de estas áreas.

No seguir esta instrucción puede ocasionar cortaduras.

1. Quite y deseche todos los materiales de embalaje o reciclelos. Esto incluye la base de espuma y toda la cinta adhesiva. Quite el embalaje protector que recubre el producto.
2. Quite el manual del usuario y otro material impreso antes de encender el refrigerador de doble cajón.
3. Limpie la superficie exterior con un paño suave.

### PASO 2 - PREPARACIÓN DEL REFRIGERADOR DE DOBLE CAJÓN

1. Jale el cajón superior para abrirlo. Quite los cajones para verduras y déjelos a un lado.
2. Con las dos manos, levante la varilla divisora de metal del cajón para quitarla de las ranuras en la parte frontal y trasera del cajón.
3. Cuando haya quitado la varilla divisora de las ranuras, gire la varilla para colocarla a un ángulo frente al cajón. Levante la varilla lentamente y quítela del cajón para evitar golpear el panel de control y, luego, deje a un lado el ensamblaje del divisor.
4. Cierre el cajón superior para evitar daños durante la instalación.

## PASO 3 - INSTALACIÓN DEL REFRIGERADOR DE DOBLE CAJÓN

Según el material del mostrador, utilice el Método 1: Instalación en el mostrador, o el Método 2: Instalación en el armario adyacente, para asegurar el refrigerador de doble cajón.

### ! ADVERTENCIA



#### Peligro de Vuelco

No utilice el refrigerador de doble cajón hasta que esté instalado por completo.

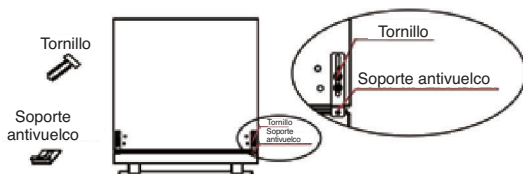
No se apoye en un cajón abierto.

No seguir estas instrucciones puede ocasionar herida seria o cortaduras.

## MÉTODO 1: INSTALACIÓN EN EL MOSTRADOR

### Coloque los soportes antivuelco

1. Quite las cubiertas de los orificios de la parte superior del armario para dejar al descubierto los orificios que utilizará para instalar los soportes antivuelco.
2. Abra el cajón superior y déjelo abierto para instalar el soporte antivuelco.
3. Quite los soportes antivuelco y los tornillos de la bolsa de accesorios.
4. Con los tornillos provistos, sujete el soporte antivuelco en un lado de la parte superior del armario.



## Nivele el refrigerador de doble cajón

Podría ser necesario ajustar las patas niveladoras debajo del doble cajón para que encajen correctamente en la abertura del armario.

1. Suba o baje las patas niveladoras traseras para ajustar la altura de la parte posterior del doble cajón y, luego, comience a deslizar el doble cajón en la abertura debajo del mostrador.
2. Levante o baje las patas niveladoras para ajustar el frente del doble cajón hasta que encaje debajo del mostrador, con espacio suficiente para instalar el soporte antivuelco en el lado de abajo del mostrador.
3. Levante las patas niveladoras delanteras hasta que el soporte antivuelco esté alineado con el lado de abajo del mostrador.
4. Instale el refrigerador de doble cajón en el mostrador.

## MÉTODO 2: INSTALACIÓN EN LOS ARMARIOS ADYACENTES

### Coloque los soportes antivuelco

1. Quite las cubiertas de los orificios de la parte superior del armario para dejar al descubierto los orificios que utilizará para instalar los soportes antivuelco.
2. Abra el cajón superior y déjelo abierto para instalar los soportes antivuelco.
3. Quite los soportes antivuelco y los tornillos de la bolsa de accesorios.
4. Con los tornillos provistos, sujete el soporte antivuelco a cada lado de la parte superior del armario.



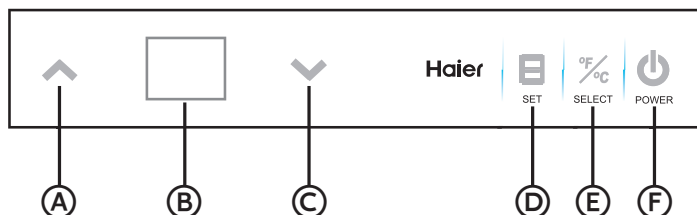
## Nivele el refrigerador de doble cajón

Podría ser necesario ajustar las patas niveladoras debajo del doble cajón para que encajen correctamente en la abertura del armario.

1. Suba o baje las patas niveladoras traseras para ajustar la altura de la parte posterior del doble cajón y, luego, comience a deslizar el doble cajón en la abertura debajo del mostrador.
2. Levante o baje las patas niveladoras para ajustar el frente del doble cajón hasta que encaje debajo del mostrador.
3. Instale el refrigerador de doble cajón en los armarios.

# USO DEL DOBLE CAJÓN

## PANEL DE CONTROL



- (A) Subir temperatura
- (B) Pantalla LED
- (C) Bajar temperatura
- (D) Bloqueo/fijación del control
- (E) Conversión a °C/°F
- (F) Interruptor de encendido

## AJUSTE DE TEMPERATURA

El rango de temperatura del refrigerador de doble cajón es de 34 °F a 45 °F (1,1 °C a 7,2 °C).

Si desea cambiar la temperatura, presione SET (Fijar) durante 3 segundos. El control emitirá un pitido y la temperatura destellará en el panel de control. Ajuste la temperatura con los botones y . Cuando aparezca la temperatura deseada en la pantalla, presione SET (Fijar) para confirmar. El control emitirá un pitido y la temperatura ya no destellará.

## CONVERSIÓN A °C Y °F

Mantenga presionado SELECT (Seleccionar) durante 3 segundos. La pantalla de la temperatura cambiará de grados Fahrenheit a grados Celsius. El control emitirá un pitido una vez.

Mantenga presionado SELECT (Seleccionar) durante 3 segundos. La pantalla de la temperatura cambiará de grados Celsius a grados Fahrenheit. El control emitirá un pitido una vez.

## ENCENDIDO/APAGADO DEL REFRIGERADOR DE DOBLE CAJÓN

- Mantenga presionado POWER (Encendido) durante 3 segundos para encender y apagar.



### Apagado del doble cajón durante un largo período de tiempo:



- Apague el doble cajón y desenchúfelo del tomacorriente.
- Quite los alimentos y limpie el doble cajón.
- Deje los cajones entreabiertos para evitar olores.



## MODO SABBATH (DÍA DE DESCANSO)

Esta función está disponible para cumplir con determinadas fiestas religiosas. En el modo Sabbath (Día de descanso), el refrigerador de doble cajón continúa funcionando (compresor, válvula magnética, ventilador, calentador), pero todas las luces, incluso la pantalla y las luces LED, estarán apagadas independientemente de si la puerta está abierta o cerrada.

Mantenga presionados los botones  y  al mismo tiempo durante 3 segundos. El control emitirá un pitido y, luego, la pantalla destellará 5 veces y se apagará para indicar que el doble cajón está en modo Sabbath (Día de descanso).

Mantenga presionados los botones  y  a la vez durante 3 segundos para apagar la función Modo Sabbath (Día de descanso). La pantalla destellará 5 veces para indicar la salida del modo Sabbath (Día de descanso).

## ALARMA DE PUERTA ENTREABIERTA

Si un cajón queda entreabierto durante más de 3 minutos, el panel de control emitirá un pitido. Si desea detener la alarma sin cerrar el cajón, presione SET (Fijar).

## CARACTERÍSTICAS DE LOS CAJONES

El refrigerador de doble cajón está diseñado para contener hasta 88,2 libras (40 kg) en total o 44,1 libras (20 kg) por cajón. El cajón superior guardará artículos de hasta 12" (30,5 cm) de altura. El cajón inferior está dividido por un escalón. Los artículos cuya altura supere las 12" (30,5 cm) se pueden guardar en esa parte sin escalón.

### CAJÓN PARA VERDURAS

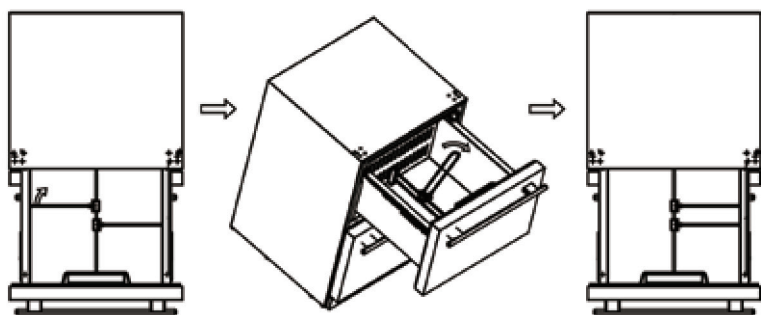
- El cajón para verduras es un lugar práctico para guardar verduras frescas.
- El cajón superior tiene un cajón para verduras con tapa.
- El cajón para verduras se puede quitar cuando no está en uso.

### DIVISOR REGULABLE

Hay un divisor en cada cajón. Para mayor flexibilidad en el almacenamiento de los alimentos, puede regular o quitar los divisores.

#### Regulación del divisor en el compartimiento superior:

El cajón superior está separado por divisores sujetos al soporte del canasto. Los dos divisores se pueden regular de izquierda a derecha, o de la parte posterior hasta el frente como se muestra en la imagen.



Para limpiar el cajón con facilidad, puede quitar los divisores. Vea “Preparación del refrigerador de doble cajón”.

#### **Regulación del divisor en el compartimiento inferior:**

Para flexibilidad de almacenamiento, el divisor del cajón inferior se puede insertar entre cualquiera de las salientes de los paneles frontales y posteriores del cajón.

## **LUCES**

**IMPORTANTE:** El refrigerador de doble cajón está equipado con luces LED. Estas luces se diseñaron para durar toda la vida útil de su refrigerador de doble cajón. Sin embargo, si las luces dejan de funcionar, llame a un técnico calificado para su reemplazo.

Hay una luz LED en la parte superior de los cajones superior e inferior. Las luces LED están controladas según la apertura o cierre del cajón. Cuando se abre un cajón, se enciende la luz LED. Cuando se cierra un cajón, se apaga la luz LED.

**IMPORTANTE:** Hay imanes colocados en el interior, sobre el lado izquierdo del cajón superior y en la base de la puerta del cajón inferior. No quite los imanes ya que son necesarios para el funcionamiento adecuado del sistema de luces.

## CUIDADO DEL DOBLE CAJÓN

### LIMPIEZA

El refrigerador de doble cajón se descongela automáticamente. El agua de la pared posterior drena en el tanque de agua y es evaporada por el condensador.

#### **ADVERTENCIA**



##### **Peligro de Explosión**

Use un limpiador no inflamable.

No seguir esta instrucción puede ocasionar la muerte, explosión o incendio.

#### **IMPORTANTE:**

- No use productos químicos fuertes, amoníaco, blanqueador con cloro, detergente concentrado, solventes o estropajos de metal o abrasivos para limpiar su refrigerador de doble cajón por dentro o por fuera. Estos pueden dañar o decolorar el acabado del refrigerador de doble cajón.
- No utilice agua tibia para limpiar los estantes de vidrio mientras aún están fríos. El vidrio se podría romper si se lo expone a cambios bruscos de temperatura o impactos

#### **ADVERTENCIA**



##### **Peligro de choque eléctrico**

Desenchufe el refrigerador o desconecte el suministro de energía antes de limpiarlo.

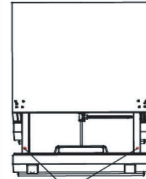
No seguir esta instrucción puede ocasionar la muerte, choque eléctrico o daños personales.

1. Desenchufe el refrigerador de doble cajón o desconecte el suministro de energía.
2. Antes de usar productos de limpieza, siempre lea y siga las instrucciones del fabricante y las advertencias para evitar lesiones personales o daños al producto.

3. Lave las superficies interiores, los accesorios y el marco exterior con agua fría y un poco de bicarbonato de sodio.
4. Seque bien con un paño suave.
5. Limpie el orificio de drenaje con un material pequeño y suave, como un hisopo de algodón. Para acceder al orificio de drenaje, primero debe quitar el cajón inferior.

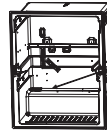
**Para quitar el cajón inferior:**

1. Deslice el cajón inferior por completo hacia fuera.
2. Utilice un destornillador para quitar los 2 tornillos que sujetan el cajón inferior a las guías.



Ubicación de los tornillos

3. Quite el cajón inferior.
4. Limpie el orificio de drenaje ilustrado a continuación con un material suave como un hisopo de algodón y, luego, coloque el cajón inferior según el procedimiento inverso que se describe anteriormente.



Ubicación del orificio de drenaje

## SOLUCIÓN DE PROBLEMAS

Antes de solicitar servicio técnico... verifique los siguientes consejos para la solución de problemas antes de solicitar servicio técnico.

### EL DOBLE CAJÓN NO FUNCIONA CORRECTAMENTE

Problema	Causa posible	Solución
El refrigerador de doble cajón no funciona.	El refrigerador de doble cajón está desenchufado.	Enchufe el cable de suministro de energía en la fuente de energía.
	Se ha disparado o se ha apagado el cortacircuitos/Se ha quemado un fusible.	Reemplace/Encienda el cortacircuitos o cambie el fusible.
El compresor del refrigerador de doble cajón funciona con frecuencia o durante largos períodos de tiempo.	Es normal cuando se enchufa por primera vez.	Deje transcurrir 24 horas para que el refrigerador de doble cajón se enfríe por completo.
	Se han agregado alimentos tibios o una gran cantidad de alimentos.	Esto es normal.
	La puerta queda entreabierta.	Asegúrese de que la puerta no queda abierta a causa de un artículo.
	Hace calor o se abre con frecuencia.	Esto es normal para mantener la temperatura constante en los días calurosos y húmedos.
El refrigerador de doble cajón no sella correctamente.	La junta no sella correctamente.	Limpie la junta.
	Los alimentos no están sellados o envasados correctamente.	Vuelva a sellar los envases. Coloque una caja abierta con bicarbonato de sodio en el refrigerador de doble cajón y cámbielo cada 3 meses.
	Debe limpiar el interior.	Limpie el interior. Vea "Limpieza".
El refrigerador de doble cajón tiene olor.	Se han guardado los alimentos por mucho tiempo.	Deseche los alimentos que se han echado a perder.
	La luz no se enciende.	Enchúfelo en la fuente de energía.
Los cajones no cierran correctamente	El refrigerador de doble cajón está desenchufado.	Llame a un técnico calificado para cambiar la luz LED quemada.
	La luz LED está quemada.	Vea "Nivelación".
Los cajones no cierran correctamente	El refrigerador de doble cajón no está nivelado.	Verifique y quite las obstrucciones, por ejemplo, botellas, alimentos, derrames, etc.
	Algo está obstruyendo el cierre de la puerta.	

Vibración o traqueteo.	El refrigerador de doble cajón no está apoyado firmemente en el suelo.	Vea "Nivelación".
Sonidos normales.	Se escucha un sonido como si fluyera agua del refrigerador de doble cajón.	El refrigerante que fluye por las líneas hace este sonido cuando se enciende y se apaga el compresor. El refrigerador de doble cajón tiene un sistema de descongelación automático. El sonido es ocasionado por el agua descongelada.
	Zumbidos o chirridos.	Este sonido es ocasionado por el compresor y los ventiladores de circulación de aire frío. Si el refrigerador de doble cajón no está nivelado, el sonido será más fuerte.
	Crujidos o chasquidos.	Este sonido es ocasionado por las piezas interiores cuando se contraen y se expanden en respuesta a los cambios de temperatura.

## TEMPERATURA Y HUMEDAD

Problema	Causa posible	Solución
El refrigerador de doble cajón está demasiado caliente.	El control de temperatura no está en un ajuste suficientemente bajo.	Fije la temperatura a un ajuste más frío; espere 24 horas para que se ajuste la temperatura.
	Las puertas se abren con frecuencia o quedan abiertas.	Mantenga la puerta cerrada/ Verifique que no haya un paquete que evite que se cierre la puerta.
	Se agregaron alimentos calientes recientemente.	Deje transcurrir un rato para que se enfrien los alimentos y el refrigerador de doble cajón.
	La junta no sella correctamente.	Limpie la junta.
El refrigerador de doble cajón está demasiado frío.	El control de temperatura se fijó en un ajuste demasiado bajo.	Fije la temperatura en el compartimiento en el próximo ajuste más cálido; espere 24 horas para que se ajuste.
Humedad en el exterior/ interior del refrigerador de doble cajón.	Humedad elevada.	Esto es normal. Seque la superficie y fije la temperatura en un ajuste ligeramente más frío.
	Las puertas se abren con frecuencia o quedan abiertas.	Mantenga la puerta cerrada. Verifique que no haya un paquete que evite que se cierre la puerta.
	La junta no sella correctamente.	Limpie la junta.

**SI NECESITA MÁS AYUDA, VISITE HAIER.COM O COMUNÍQUESE CON LA LÍNEA DE AYUDA AL CONSUMIDOR LLAMANDO AL 1-877-377-3639.**

# GARANTÍA LIMITADA

## SERVICIO EN EL HOGAR

### GARANTÍA COMPLETA POR UN AÑO

#### 12 meses por piezas y mano de obra 5 años por el sistema de sellado

Durante 12 meses a partir de la fecha de compra original en la tienda, Haier reparará o reemplazará cualquier pieza del aparato sin costo, incluyendo la mano de obra, si la misma falla debido a defectos en los materiales o en la mano de obra

Haier puede reemplazar o reparar, a su sola discreción, cualquier pieza, subsistema, incluso el producto entero.

El producto debe ser accesible, sin inconvenientes, e instalarse de forma adecuada para recibir el servicio técnico de reparación por parte de la garantía.

### GARANTÍA LIMITADA

**NOTA:** Esta garantía comienza en la fecha de compra de este producto, y el recibo original deberá presentarse al representante autorizado de servicio antes de hacerse las reparaciones bajo la garantía.

**Excepciones:** Garantía bajo uso comercial

**90 días en la mano de obra a partir de la fecha de compra original**

**90 días en las piezas a partir de la fecha de compra original**

**No es aplicable ninguna otra garantía.**

### PARA OBTENER SERVICIO BAJO LA GARANTÍA

Todo servicio deberá ser realizado por un centro de servicio autorizado por Haier. Para obtener el nombre y el número de teléfono del centro de servicio autorizado más cercano, llame al 1-877-337-3639.

Antes de llamar, tenga a mano la siguiente información:

Número de modelo y de serie del aparato.  
El nombre y la dirección del distribuidor en donde compró la unidad y la fecha de compra.

Una descripción clara del problema.

Un comprobante de compra (recibo de compra).

**Esta garantía cubre servicios para electrodomésticos dentro de los Estados Unidos continental y Canadá y donde esté disponible en Alaska, Hawaii y Puerto Rico.**

**Lo que no está cubierto bajo esta garantía:**

Reemplazo o reparación de fusibles domésticos, cortacircuitos, cableado o plomería.

Un producto cuyo número de serie original haya sido removido o alterado.

Cualquier cargo por servicio que no haya sido identificado específicamente como servicio normal, como puede ser el área o las horas de servicio.

Daños ocurridos durante el transporte.

Daños ocasionados por la instalación o el mantenimiento inadecuados.

Daños por el uso incorrecto, abuso, accidente, incendio, inundación o fenómenos de la naturaleza.

Daños debidos al servicio efectuado por un distribuidor o centro de servicio que sea diferente del autorizado por Haier.

Daños ocasionados por la corriente, el voltaje o el suministro eléctrico incorrectos.

Daños que resulten de cualquier modificación hecha en el producto, alteración o ajustes no autorizados por Haier.

Ajuste de los controles manejados por el cliente según han sido identificados en el manual del propietario.

Mangueras, perillas, bandejas de pelusa y todos los otros aditamentos, accesorios y piezas desechables.

Cargos por mano de obra, transporte para el servicio y envío para la remoción y el reemplazo de las piezas defectuosas que se efectúen después del período inicial de 12 meses.

Daños ocasionados por un uso diferente al doméstico normal.

Cualquier gasto de transporte y de envío.

### **ESTA GARANTÍA LIMITADA REEMPLAZA TODAS LAS OTRAS GARANTÍAS, EXPRESAS O QUE INCLUYAN LAS GARANTÍAS DE COMERCIALIZACIÓN O DE CAPACIDAD PARA UN PROPÓSITO EN PARTICULAR**

El recurso provisto en esta garantía es exclusivo y está otorgado en lugar de cualquier otro recurso.

Esta garantía no cubre daños incidentales o consecuentes, de modo que las limitaciones indicadas anteriormente pueden no aplicarse en su caso. Algunos estados no permiten las limitaciones acerca de cuánto tiempo dura una garantía implícita, de modo que las limitaciones arriba indicadas quizás no le correspondan.

Esta garantía le otorga derechos legales específicos, y es posible que usted tenga otros derechos, los cuales varían de un estado a otro.

Haier America  
Wayne, NJ 07470

# IMPORTANT

Do Not Return This Product To The Store  
If you have a problem with this product, please contact the  
"Haier Customer Satisfaction Center" at  
1-877-337-3639.

DATED PROOF OF PURCHASE, MODEL #, AND SERIAL #  
REQUIRED FOR WARRANTY SERVICE

# IMPORTANT

Ne pas Réexpédier ce Produit au Magasin  
Pour tout problème concernant ce produit, veuillez contacter  
le service des consommateurs "Haier Customer Satisfaction Center" au  
1-877-337-3639.

UNE PREUVE D'ACHAT DATEE EST REQUISE POUR BENEFICIER DE LA GARANTIE.

# IMPORTANTE

No regrese este producto a la tienda  
Si tiene algún problema con este producto, por favor contacte el  
"Centro de Servicio al Consumidor de Haier" al  
1-877-337-3639 (Válido solo en E.U.A).  
NECESITA UNA PRUEBA DE DE COMPRA FECHADA, NÚMERO DE MODELO  
Y DE SERIE PARA EL SERVICIO DE LA GARANTÍA

Made in China  
Fabriqué en Chine  
Hecho en China

# Haier

Haier America  
Wayne, NJ 07470