



# Bottom Freezer Refrigerators

*Safety Instructions* ..... 2, 3

*Operating Instructions*

Features ..... 4, 5

Controls ..... 6, 7

Dispenser ..... 8

Water Filter ..... 9

Shelves and Bins ..... 10

Pans ..... 11

Freezer ..... 12, 13

Automatic Ice maker ..... 14

Care and Cleaning ..... 15

Replacing the Lights ..... 16

*Installation Instructions*

Preparing to Install the Refrigerator ..... 17

Appliance Dimensions ..... 18

Installing the Refrigerator ..... 19-32

Installing the Water Line ..... 33-35

*Troubleshooting Tips* ..... 37, 38

Normal Operating Conditions ..... 36

Service - Truth or Myth ..... 39, 40

*Consumer Support*

Warranty ..... 41

MWF Water Filter Cartridge Limited Warranty ..... 43

Performance Data Sheet ..... 42

Consumer Support ..... Back Cover

*Owner's Manual and Installation Instructions*

GE, GE Profile and GE Café Models 21, 24 & 25 cuft

*Write the model and serial numbers here:*

Model # \_\_\_\_\_

Serial # \_\_\_\_\_

Find these numbers on a label on the left side, near the middle of the refrigerator compartment.

# IMPORTANT SAFETY INFORMATION. READ ALL INSTRUCTIONS BEFORE USING.

## SAFETY



### GE Appliances website

For more information on your refrigerator's operation, visit [www.GEAppliances.com](http://www.GEAppliances.com) or call 800.GECARES (800.432.2737). In Canada visit [GEAppliances.ca](http://GEAppliances.ca) or call 800.561.3344.

### REFRIGERATOR SAFETY INFORMATION

**!** This is the safety alert symbol. This symbol alerts you to potential hazards that can kill or hurt you and others. All safety messages will follow the safety alert symbol and the word "DANGER", "WARNING", or "CAUTION". These words are defined as:

**! DANGER** Indicates a hazardous situation which, if not avoided, **will** result in death or serious injury.

**! WARNING** Indicates a hazardous situation which, if not avoided, **could** result in death or serious injury.

**! CAUTION** Indicates a hazardous situation which, if not avoided, **could** result in minor or moderate injury.

### IMPORTANT SAFETY INSTRUCTIONS

**! WARNING** To reduce the risk of fire, explosion, electric shock, or injury when using your refrigerator follow these basic safety precautions:

- This refrigerator must be properly installed and located in accordance with the Installation Instructions before it is used.
- Unplug the refrigerator before making repairs, replacing a light bulb, or cleaning.  
Note: Power to the refrigerator cannot be disconnected by any setting on the control panel.  
Note: Repairs must be performed by a qualified service professional.
- Replace all parts and panels before operating.
- Do not store or use gasoline or other flammable vapors and liquids in the vicinity of this or any other appliance.
- Because of potential safety hazards under certain conditions, we strongly recommend against the use of an extension cord. However, if you must use an extension cord, it is absolutely necessary that it be a UL-listed (in the United States) or a CSA certified (in Canada), 3-wire grounding type appliance extension cord having a grounding type plug and outlet and that the electrical rating of the cord be 15 amperes (minimum) and 120 volts.
- To prevent suffocation and entrapment hazards to children, remove the fresh food and freezer doors from any refrigerator before disposing of it or discontinuing its use.
- Do not allow children to climb, stand or hang on the door handles or the shelves in the refrigerator. They could seriously injure themselves.

**! CAUTION** To reduce the risk of injury when using your refrigerator, follow these basic safety precautions.

- Do not clean glass shelves or covers with warm water when they are cold. Glass shelves and covers may break if exposed to sudden temperature changes or impact, such as bumping or dropping. Tempered glass is designed to shatter into many small pieces if it breaks.
- Keep fingers out of the "pinch point" areas; clearances between the doors and between the doors and cabinet are necessarily small. Be careful closing doors when children are in the area.
- Do not refreeze frozen foods which have thawed completely.
- Do not touch the cold surfaces in the freezer compartment when hands are damp or wet, skin may stick to these extremely cold surfaces.
- In refrigerators with automatic icemakers, avoid contact with the moving parts of the ejector mechanism, or with the heating element that releases the cubes. Do not place fingers or hands on the automatic ice making mechanism while the refrigerator is plugged in.
- Use a sturdy glass when dispensing ice (on models with ice dispenser).

# IMPORTANT SAFETY INFORMATION. READ ALL INSTRUCTIONS BEFORE USING.

## SAFETY (CONT.)

### INSTALLATION

**⚠ WARNING**  **Explosion Hazard.**

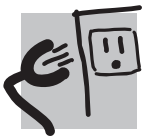
Keep flammable materials and vapors, such as gasoline, away from refrigerator. Failure to do so can result in fire, explosion, or death.

### CONNECTING ELECTRICITY

**⚠ WARNING**  **Electrical Shock Hazard.**

Plug into a grounded 3-prong outlet  
Do not remove the ground prong

Do not use an adapter  
Failure to follow these instructions can result in death, fire, or electrical shock.



**Do not, under any circumstances, cut or remove the third (ground) prong from the power cord. For personal safety, this appliance must be properly grounded.**

The power cord of this appliance is equipped with a 3-prong (grounding) plug which mates with a standard 3-prong (grounding) wall outlet to minimize the possibility of electric shock hazard from this appliance.

Have the wall outlet and circuit checked by a qualified electrician to make sure the outlet is properly grounded.

Where a standard 2-prong wall outlet is encountered, it is your personal responsibility and obligation to have it replaced with a properly grounded 3-prong wall outlet. Do not use an adapter.

The refrigerator should always be plugged into its own individual electrical outlet which has a voltage rating that matches the rating plate.

A 115 Volt AC, 60 Hz, 15- or 20-amp fused, grounded electrical supply is required. This provides the best performance and also prevents overloading house wiring circuits which could cause a fire hazard from overheated wires.

Never unplug your refrigerator by pulling on the power cord. Always grip plug firmly and pull straight out from the outlet.

Repair or replace immediately all power cords that have become frayed or otherwise damaged. Do not use a cord that shows cracks or abrasion damage along its length or at either end.

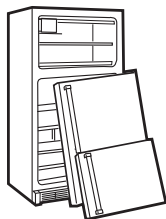
When moving the refrigerator away from the wall, be careful not to roll over or damage the power cord.

### PROPER DISPOSAL OF YOUR OLD REFRIGERATOR

**⚠ WARNING** **Suffocation and child entrapment hazard.**

Remove fresh-food and freezer doors from the refrigerator, prior to disposal. Failure to do so can result in child entrapment which can lead to death or brain damage.

**IMPORTANT:**



Child entrapment and suffocation are not problems of the past. Junked or abandoned refrigerators are still dangerous even if they will sit for "just a few days." If you are getting rid of your old refrigerator, please follow the instructions below to help prevent accidents.

**Before You Throw Away Your Old Refrigerator or Freezer:**

- Take off the fresh food and freezer doors.

- Leave the shelves in place so that children may not easily climb inside.

**Refrigerants**

All refrigeration products contain refrigerants, which under federal law must be removed prior to product disposal. If you are getting rid of an old refrigeration product, check with the company handling the disposal about what to do.



**READ AND FOLLOW THIS SAFETY INFORMATION CAREFULLY.  
SAVE THESE INSTRUCTIONS**

## About the features.

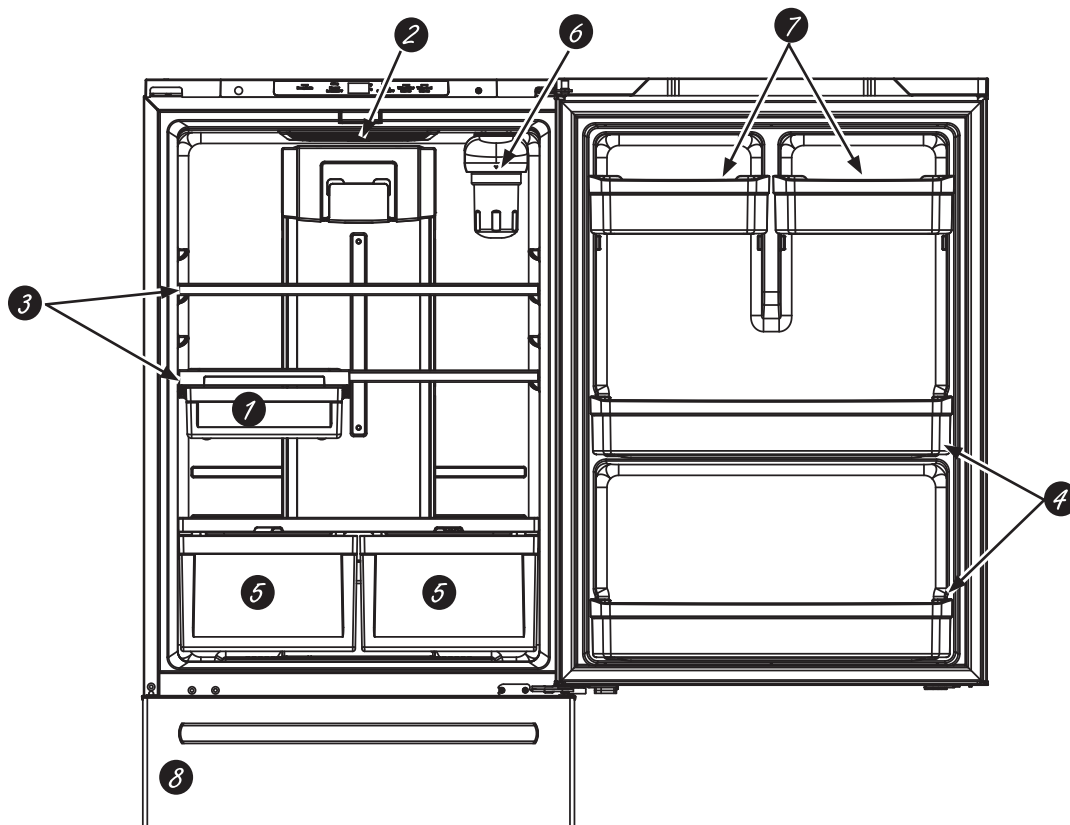
### French Door Models



- 1 Space-saving ice maker (on some models)**  
Ice maker and bin are located on the door creating more usable storage space.
- 2 LED lighting**  
LED lights in the fresh food compartment are located at the top center and on the left and right sides of climate zone pans. LED lights are also located in the freezer; see pages 12 and 13.
- 3 Full-width drawer**  
A full-width drawer that can accommodate larger items is located at the bottom of the fresh food compartment.
- 4 QuickSpace™ shelf (on some models)**  
Functions as a normal full-sized shelf when needed and easily slides back to store tall items below.
- 5 Removable/adjustable door bins**  
Can be moved up or down to accommodate your needs.
- 6 Climate zone drawers**  
Separate pans for produce storage.
- 7 Water filter**  
Accessible for easy replacement.

---

## Single Door Models



- 1 Floating snack pan**  
Can be moved to different locations to best serve your needs.
- 2 LED lighting**  
LED light is located at the top of the fresh food compartment. LED lights are also located in the freezer; see pages 12 and 13.
- 3 Full-width shelves**  
Full-width shelves that can accommodate larger items.
- 4 Full-width gallon door bins**  
Nonadjustable full-width door bins that will hold gallon containers.
- 5 Climate zone pans**  
Separate bins for produce storage.
- 6 Water filter (on some models)**  
Accessible for easy replacement.
- 7 Adjustable door bins**  
Can be moved up or down to accommodate your needs.
- 8 Icemaker (on some models)**  
Icemaker is located in the freezer on some models. Icemaker Kit IM-4D or IM-5A are available for models that are icemaker-ready.

## About the controls.

### GBE21, ABE21 Internal Control

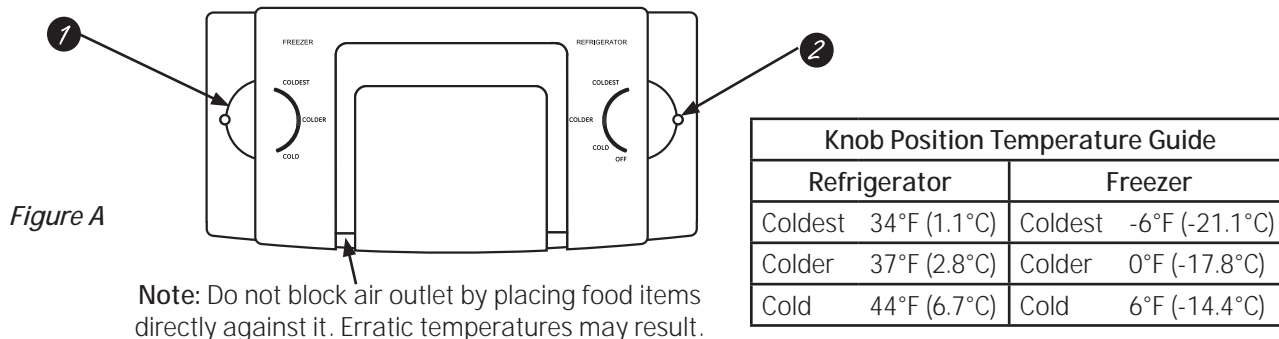


Figure A

Note: Do not block air outlet by placing food items directly against it. Erratic temperatures may result.

- 1 Freezer Compartment Temperature Control**  
Adjust freezer compartment temperature. The freezer temperature is preset in the factory at the **Colder** position. Allow 24 hours for temperature to stabilize to the preset recommended setting.

- 2 Fresh Food Compartment Temperature Control**  
Adjust fresh food compartment temperature. The fresh food temperature is preset in the factory at the **Colder** position. Allow 24 hours for temperature to stabilize to the preset recommended setting.

**NOTE:** Power to the refrigerator cannot be disconnected by any setting on the control panel.

### GDE21, PDE21, GNE21, PNE21, GDE25, GNE25, PNE25, CNE25 Top Control

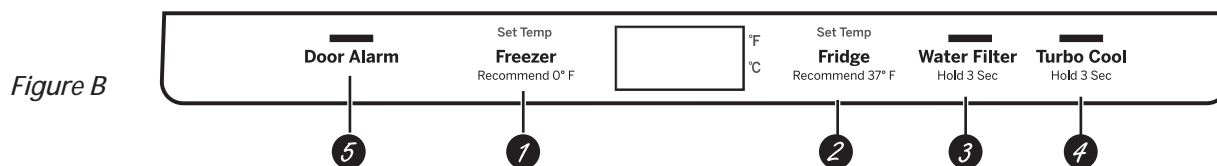


Figure B

- 1 Freezer Compartment Temperature Control**  
Adjust freezer compartment temperature. The freezer temperature is preset in the factory at **0°F**. Allow 24 hours for temperature to stabilize to the preset recommended setting.
- 2 Fresh Food Compartment Temperature Control**  
Adjust fresh food compartment temperature. The fresh food temperature is preset in the factory at **37°F**. Allow 24 hours for temperature to stabilize to the preset recommended setting.
- 3 Water Filter**  
Press and hold 3 seconds to reset the Water Filter.
- 4 Turbo Cool**  
To set the **TurboCool™**, press the **Turbo Cool** pad for 3 seconds. The display will show **tc**. **TurboCool™** rapidly cools the refrigerator compartment in order to more quickly cool foods. Use **TurboCool™** when adding a large amount of the food to the refrigerator compartment, putting away foods after they have been sitting out at room temperature, or when putting away warm leftovers. It can also be used if the refrigerator has been without power for an extended period.

**NOTE:** The refrigerator temperature cannot be changed during **TurboCool™**. The freezer temperature is not affected during **TurboCool™**. When opening the refrigerator door during **TurboCool™**, the fans will continue to run if they have cycled on.

- 5 Door Alarm**  
To set the alarm, press the **Door Alarm** pad. This alarm will sound if either door is open for more than 2 minutes. The beeping stops when you close the door.

**NOTE:** To put the refrigerator control in the **OFF** position, simultaneously touch the words **Freezer** and **Fridge** for 3 seconds. Power to the refrigerator cannot be disconnected by any setting on the control panel.

## GFE24, PFE24, CFE24 External Control



Figure C

- 1 **Freezer Compartment Temperature Control**  
Adjust freezer compartment temperature. The freezer temperature is preset in the factory at **0°F**. Allow 24 hours for temperature to stabilize to the preset recommended setting.
- 2 **Fresh Food Compartment Temperature Control**  
Adjust fresh food compartment temperature. The fresh food temperature is preset in the factory at **37°F**. Allow 24 hours for temperature to stabilize to the preset recommended setting.
- 3 **Water Filter**  
Press and hold 3 seconds to reset the Water Filter.
- 4 **Turbo Cool**  
To set the **TurboCool™**, press the **Alarm** pad for 3 seconds. The display will show **tc**. **TurboCool™** rapidly cools the refrigerator compartment in order to more quickly cool foods. Use **TurboCool™** when adding a large amount of the food to the refrigerator compartment, putting away foods after they have been sitting out at room temperature, or when putting away warm leftovers. It can also be used if the refrigerator has been without power for an extended period.

**NOTE:** The refrigerator temperature cannot be changed during **TurboCool™**. The freezer temperature is not affected during **TurboCool**. When opening the refrigerator door during **TurboCool™**, the fans will continue to run if they have cycled on.

- 5 **Alarm**  
Press the **Alarm** pad to toggle the door alarm between off and on. The alarm will sound if either door is left open for more than 2 minutes. The beeping stops when you close the door.
- 6 **Lock**  
Press and hold the **Lock** pad for 3 seconds to lock out ice and water dispenser and all other controls. Press and hold to unlock the controls.
- 7 **LED dispenser Light**  
Press the **Light** pad to turn your dispenser light on and off.

**NOTE:** To put the refrigerator control in the **OFF** position, simultaneously touch the words **Freezer** and **Fridge** for 3 seconds. Power to the refrigerator cannot be disconnected by any setting on the control panel.

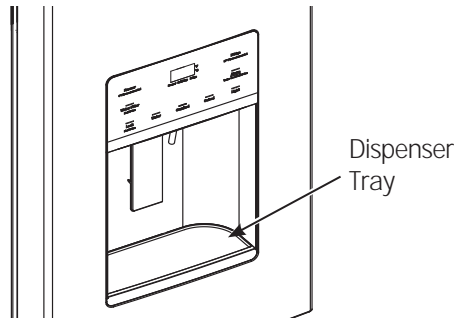
**NOTE:** The refrigerator is shipped with protective film covering the temperature controls. If this film was not removed during installation, remove it now.



## About the dispenser. (on some models)

### Water & Ice Dispenser

(See About the controls)



Press the glass gently against the dispenser cradle.

The spill shelf is not self-draining. To reduce water spotting, the shelf should be cleaned regularly.

If no water is dispensed when the refrigerator is first installed, there may be air in the water line system. Press the dispenser paddle for at least five minutes to remove trapped air from the water line and to fill the water system. To flush out impurities in the water line, throw away the first six full glasses of water.

### **⚠ WARNING** Laceration Hazard

- Never put fingers or any other object into ice crusher discharge opening. Doing so can result in contacting the ice crushing blades and lead to serious injury or amputation
- Use a sturdy glass when dispensing ice. A delicate glass may break and result in personal injury.

#### To remove Dispenser Tray

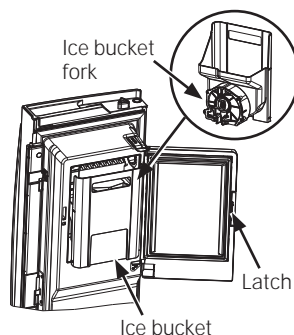
- Pull Dispenser Tray out.

#### To reinstall Dispenser Tray

- Push in until it is firmly in place.

### Door Ice Bin

1. Open left fresh food door.
2. Pull down latch to release bin door.
3. Using handhold, lift ice bucket up and out to clear locators in bottom of bin.
4. To replace the ice bucket, set it on the guide brackets and push until the ice bucket seats properly.
5. If bucket cannot be replaced, rotate the Ice Bucket Fork 1/4 turn clockwise.



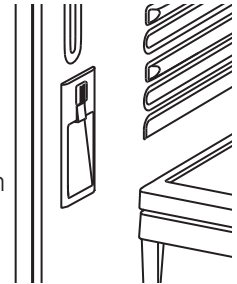
### Internal Water Dispenser

(on some models)

The water dispenser is located on the left wall inside the refrigerator compartment.

#### To dispense water:

1. Hold the glass against the recess.
2. Push the water dispenser button.
3. Hold the glass underneath the dispenser for 2–3 seconds after releasing the dispenser button. Water may continue to dispense after the button is released.



If no water is dispensed when the refrigerator is first installed, there may be air in the water line system. Press the dispenser button for at least 5 minutes to remove trapped air from the water line and to fill the water system. During this process, the dispenser noise may be loud as the air is purged from the water line system. To flush out impurities in the water line, throw away the first 6 glasses of water.

**NOTE:** To avoid water deposits, the dispenser should be cleaned periodically by wiping with a clean cloth or sponge.

### Important Facts About Your Dispensers

- Do not add ice from trays or bags to the door ice maker bucket. It may not crush or dispense.
- Avoid overfilling glass with ice and use of narrow glasses. Backed-up ice can jam the chute or cause the door in the chute to freeze shut. If ice is blocking the chute remove the ice bucket, poke it through with a wooden spoon.
- Beverages and foods should not be quick-chilled in the door ice maker bin. Cans, bottles or food packages in the storage drawer may cause the ice maker or auger to jam.
- To keep dispensed ice from missing the glass, put the glass close to, but not touching, the dispenser opening.
- Some crushed ice may be dispensed even though you selected **CUBED ICE**. This happens occasionally when a few cubes accidentally get directed to the crusher.
- After crushed ice is dispensed, some water may drip from the chute.
- Sometimes a small mound of snow will form on the door in the ice chute. This condition is normal and usually occurs when you have dispensed crushed ice repeatedly. The snow will eventually evaporate.



# About the GE Appliances® MWF water filter cartridge.

## Water Filter Cartridge

The water filter cartridge is located in back upper right corner of the refrigerator compartment.

## When to replace the filter on models with a replacement indicator light

There is a replacement indicator light for the water filter cartridge on the dispenser. A red light will start blinking to tell you that you need to replace the filter soon.

The filter cartridge should be replaced when the replacement indicator light turns red or if the flow of water to the dispenser or icemaker decreases.

## When to replace the filter on models without a replacement indicator light

The filter cartridge should be replaced every six months or earlier if the flow of water to the dispenser or icemaker decreases.

## Removing the filter cartridge

If you are replacing the cartridge, first remove the old one by slowly turning it to the left. **Do not** pull down on the cartridge. A small amount of water may drip down.

**NOTE:** To reduce the risk associated with property damage due to water leakage, read and follow instructions before installation and use of this system. Installation and use **MUST** comply with all state and local plumbing codes.

### **CAUTION**

If air has been trapped in the system, the filter cartridge may be ejected as it is removed. Use caution when removing.

### **WARNING**

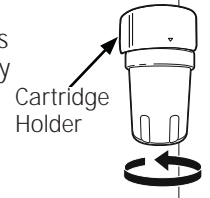
To reduce the risk associated with choking, do not allow children under 3 years of age to have access to small parts during the installation of this product. The disposable filter cartridge should be replaced every 6 months at the rated capacity, or sooner if a noticeable reduction in flow rate occurs.

For the maximum benefit of your filtration system, GE Appliances recommends the use of GE Appliances-branded filters only. Using GE-branded filters in GE Appliances and Hotpoint® refrigerators provides optimal performance and reliability. GE Appliances filters meet rigorous industry NSF standards for safety and quality that are important for products that are filtering your water. GE Appliances has not qualified non-GE-branded filters for use in GE Appliances and Hotpoint refrigerators and there is no assurance that non-GE-branded filters meet GE's standards for quality, performance and reliability.

If you have questions, or to order additional filter cartridges, visit our website at [www.gewaterfilters.com](http://www.gewaterfilters.com) or call GE Appliances Parts and Accessories, 800.626.2002 (Canada 1.800.626.2002 or [geappliances.ca/en/products/parts-filters-accessories](http://geappliances.ca/en/products/parts-filters-accessories) or call 1.800.661.1616).

## Installing the Filter Cartridge

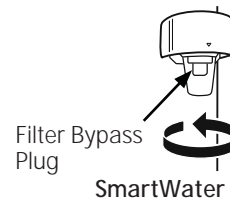
1. Fill the replacement cartridge with water from the tap to allow for better flow from the dispenser immediately after installation.
2. Line up the arrow on the cartridge and the cartridge holder. Place the top of the new cartridge up inside the holder. Do not push it up into the holder.
3. Slowly turn it to the right until the filter cartridge stops. **DO NOT OVERTIGHTEN.** As you turn the cartridge, it will automatically raise itself into position. The cartridge will move about a 1/2 turn.
4. Run water from the dispenser for 1-1/2 gallons (about three minutes) to clear the system and prevent sputtering.
5. Press and hold the RESET WATER FILTER pad (on some models) on the dispenser for three seconds.



**NOTE:** A newly installed water filter cartridge may cause water to spurt from the dispenser.

## Filter Bypass Plug

You must use the filter bypass plug when a replacement filter cartridge is not available. The dispenser and the icemaker will not operate without the filter or filter bypass plug.



# About the shelves and bins

Not all features are on all models.

## Rearranging the Refrigerator Shelves

Shelves in the refrigerator compartment are adjustable.

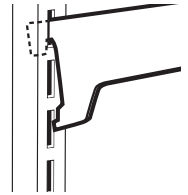
### To remove the shelves:

1. Remove all items from the shelf.
2. Tilt the shelf up at the front.
3. Lift the shelf up at the back and bring the shelf out.



### To replace the shelves:

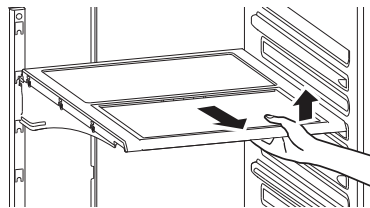
1. While tilting the shelf up, insert the top hook at the back of the shelf in a slot on the track.
2. Lower the front of the shelf until the bottom of the shelf locks into place.



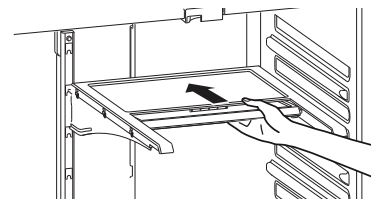
## Quick Space Shelf (on some models)

This shelf splits in half and slides under itself for storage of tall items on the shelf below.

This shelf can be removed and replaced or relocated.



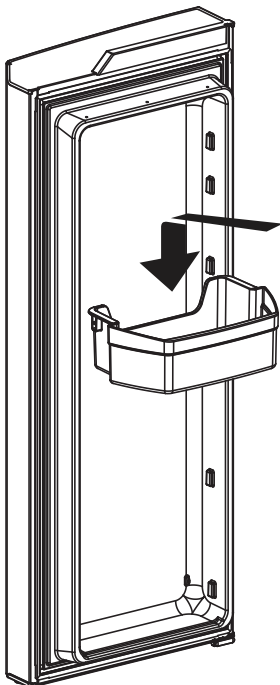
**NOTE:** The back half of the Quick Space Shelf is not adjustable.



## Adjustable Door Bins (on some models)

**To remove:** Lift the bin straight up; then pull out.

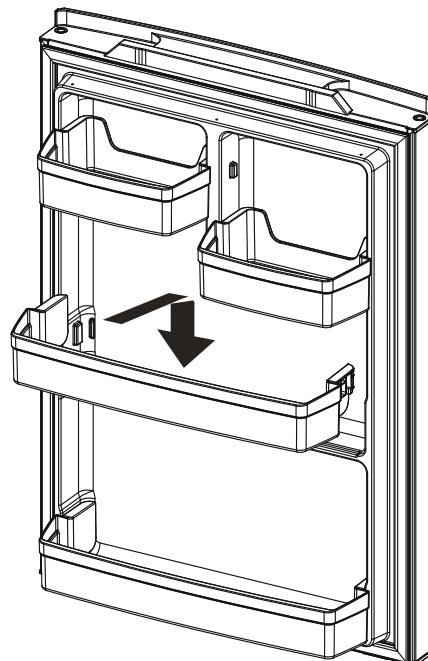
**To replace:** Engage the bin in the molded supports on the door and push down to lock in place.



## Non-Adjustable Gallon Door Bins (on some models)

**To remove:** Lift the bin straight up; then pull out.

**To replace:** Engage the bin in the molded supports on the door and push down to lock in place.



## About the pans.

---

Not all features are on all models.

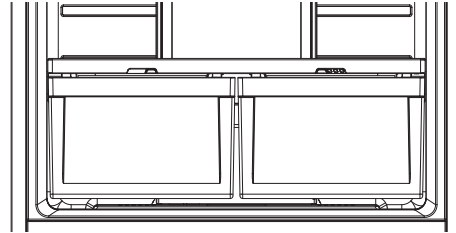
---

### Climate Zone Pans

Keep fruits and vegetables organized in separate compartments for easy access. Excess water that may accumulate in the bottom of the drawers or under the drawers should be wiped dry.

#### To remove pan:

Slide the pan out to the stop position, lift the pan up and past the stop position and pull forward.



---

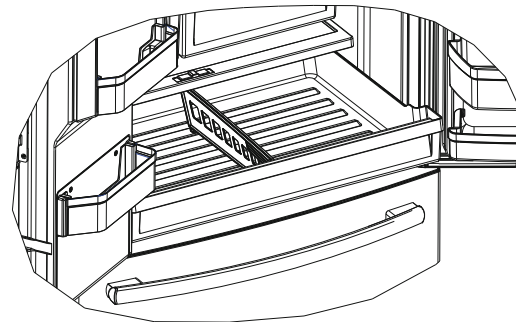
### Full -Width Pan (on some models)

#### To remove pan:

1. Pull the pan out to the stop position.
2. Lift the front of the drawer up and out.

#### To replace pan:

1. Place back of the drawer in first and rotate drawer front down to seat it on the slides.
2. Push the drawer in to the closed position.



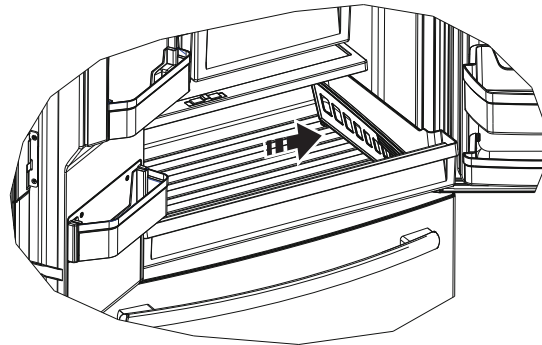
### How to Remove and Replace Drawer Divider

#### To remove:

1. Pull the drawer out to the stop position.
2. Slide pan divider to right to release it from pan.

#### To replace:

Reverse steps 1 and 2 to replace drawer divider.

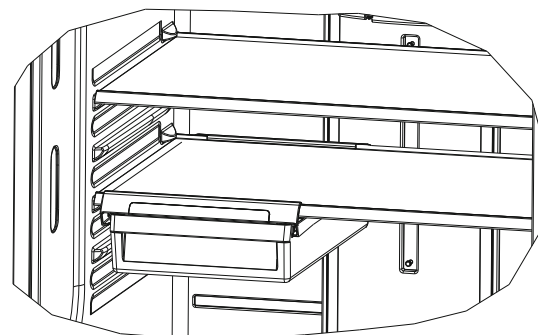


---

### Floating Snack Pan (on some models)

This pan can be moved to the most useful location for your family's needs.

To **remove**, slide the pan out to the stop position, lift the pan up and past the **stop** position and lift it out.



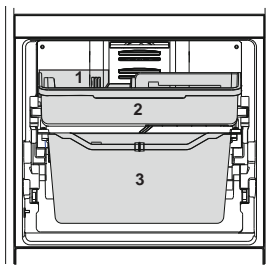
## About the freezer drawer. (on some models)

Not all features are on all models.

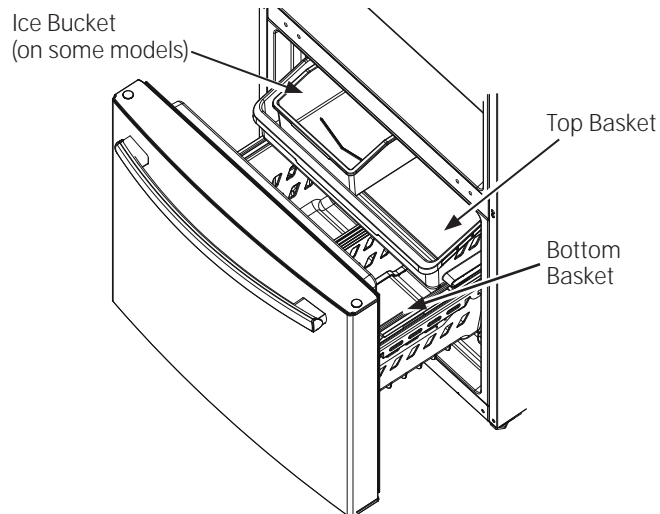
### FREEZER BASKETS

1. An ice bucket in the top basket (on some models).
2. A top full-width basket.
3. A bottom full-width basket (with divider - in some models).

**NOTE:** Do not fill baskets higher than the rim of the basket. This may cause baskets to stick or jam when opening or closing.



Appearance and features may vary



### Top Basket Removal

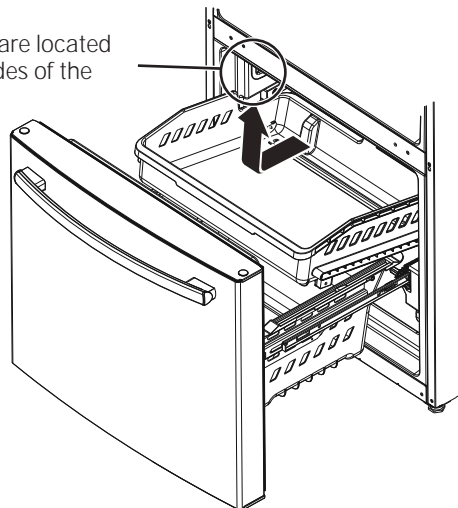
To remove the top full-width basket on freezer drawer models:

1. Pull the basket out to the stop location.
2. Lift basket up to release it from the slides.

**When replacing the basket,** make sure that the basket remains mounted on the side rails and over the slides of the bottom basket.

**NOTE:** Always be sure to fully close this basket.

LED lights are located on both sides of the freezer



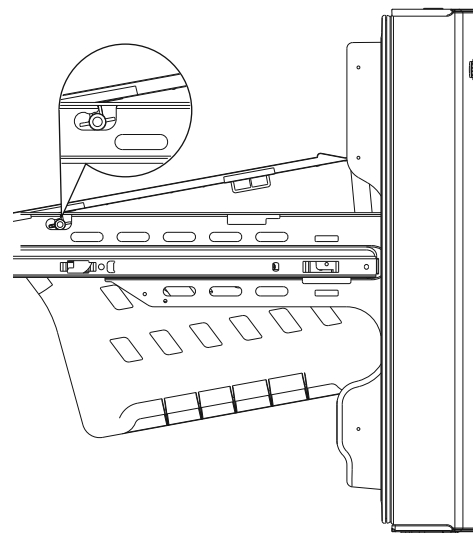
### Bottom Basket Removal

To remove the bottom full-width basket on freezer drawer models:

1. Open the bottom freezer drawer until it stops.
2. Remove the top freezer basket.
3. The bottom freezer basket rests on the inside tabs on the drawer slides.
4. Lift the front of the basket and pull forward.
5. Release the pin from the slot to remove the basket.

**When replacing the bottom full-width basket,** tilt the basket back and lower it into the drawer. Rotate the basket to a horizontal position and press down. Make sure to place the pin back into the slot.

**NOTE:** Always be sure that the basket is seated on the bracket tabs before sliding the drawer back into the freezer.



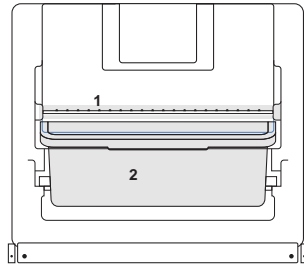
## About the freezer compartment. (on some models)

Not all features are on all models.

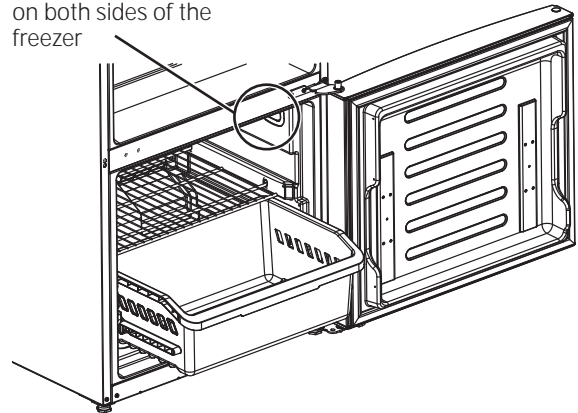
### FREEZER SHELF AND BASKET

1. A full-width fixed wire shelf
2. A full-width sliding plastic basket

**NOTE:** Do not fill baskets higher than the rim. This may cause basket to stick or jam when opening or closing.



LED lights are located on both sides of the freezer

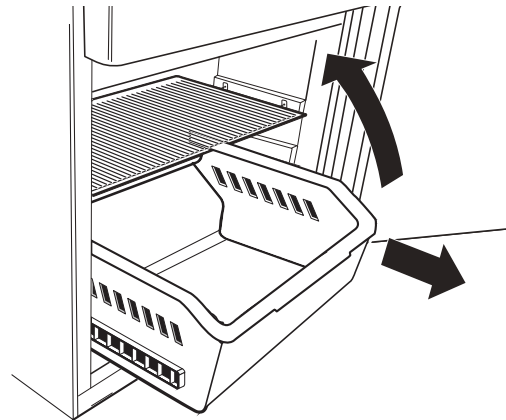


### Basket Removal

To remove the full-width sliding basket on freezer door models:

1. Open the basket out to its full extension.
2. Lift up the front of the basket and pull straight out to remove.

**When replacing the basket,** insert the plastic basket into the lower liner rails and push back into place.

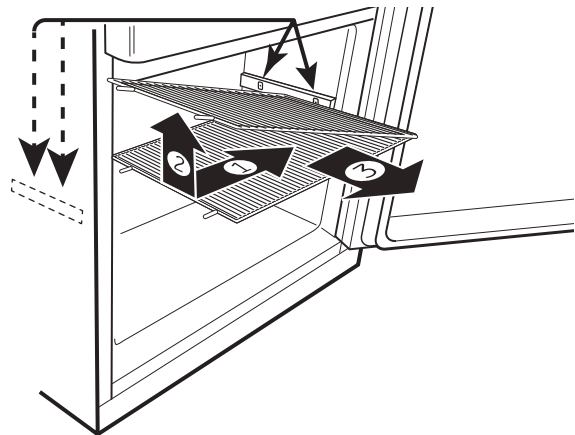


### Fixed Shelf Removal

**NOTE:** The full-width wire shelf is not intended to slide.

To remove for cleaning, push the shelf to one side while then pull up on the opposite side and out to remove.

To replace the full-width wire shelf, insert one side of the shelf into the supports, pushing the shelf to that side until the opposite side will fit into its supports.



## About the automatic ice maker.

A newly installed refrigerator may take 12 to 24 hours to begin making ice.

### Automatic Ice maker (on some models)

The ice maker will produce seven cubes per cycle approximately 100–130 cubes in a 24-hour period, depending on freezer compartment temperature, room temperature, number of door openings and other use conditions.

If the refrigerator is operated before the water connection is made to the ice maker, set the power switch in the **OFF** position. When the refrigerator has been connected to the water supply, set the power switch to the **ON** position.

The ice maker will fill with water when it cools to 15°F (–10°C). A newly installed refrigerator may take 12 to 24 hours to begin making ice cubes.

You may hear a buzzing sound each time the ice maker fills with water.

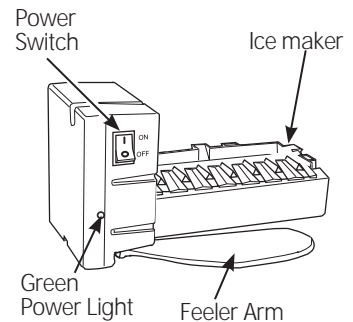
Throw away the first few batches of ice to allow the water line to clear.

Be sure nothing interferes with the sweep of the feeler arm.

When the bin fills to the level of the feeler arm, the ice maker will stop producing ice. It is normal for several cubes to be joined together.

If ice is not used frequently, old ice cubes will become cloudy, taste stale and shrink.

**NOTE:** In homes with lower-than-average water pressure, you may hear the ice maker cycle multiple times when making one batch of ice.

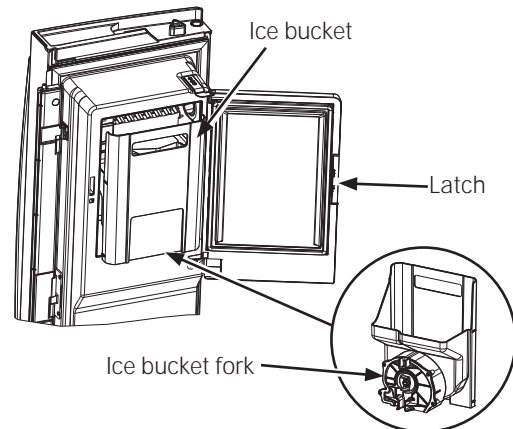


### **WARNING**

To minimize the risk of personal injury, avoid contact with the moving parts of the ejector mechanism, or with the heating element that releases the cubes. Do not place fingers or hands on the automatic ice making mechanism while the refrigerator is plugged in.

### For Refrigerator Models with Ice Maker in the Door Ice Bucket and Dispenser

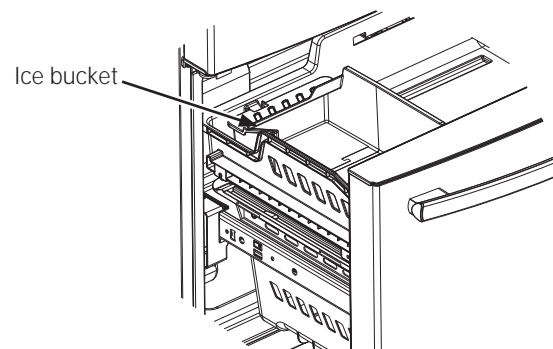
- Open the ice box door on inside of the left door.
- Pull up and out on the ice bucket in the left hand door to remove it from the compartment.
- To replace the ice bucket, set it on the guide brackets and push until the ice bucket seats properly.
- If bucket cannot be replaced, rotate the ice bucket fork 1/4 turn clockwise.
- Ice maker can be turned on and off using this display (see *About the controls* on pages 6 and 7.)



### For Refrigerator Models with Ice Maker in the Freezer Compartment

Some models come with an ice maker installed in the freezer compartment. For those models that come ice-maker ready, you can purchase Kit IM-4D or IM-5D, depending on your model. Visit our website at [GEAppliances.com](http://GEAppliances.com) or call GE Appliances Parts and Accessories, 800.626.2002 (in Canada visit [geappliances.ca/en/products/parts-filters-accessories](http://geappliances.ca/en/products/parts-filters-accessories) or call 1.800.661.1616).

There is ice storage in the freezer compartment located on the left side of the upper basket. Pull the upper basket forward to remove the ice bucket.





# Care and cleaning of the refrigerator.

---

## Cleaning the Outside

### The stainless steel panels, door handles and trim.

Do not use appliance wax, polish, bleach, or other products containing chlorine on stainless steel.

Stainless steel can be cleaned with a commercially available stainless steel cleaner. A spray-on stainless steel cleaner works best.

### Silver-accented plastic parts.

Wash parts with soap or other mild detergents. Wipe clean with a sponge, damp cloth or paper towel.

Do not use scouring pads, powdered cleaners, bleach or cleaners containing bleach because these products can scratch and weaken the paint finish.

Should spill tray need cleaning use lime remover.

---

## Cleaning the Inside

### Unplug the refrigerator before cleaning.

If this is not practical, wring excess moisture out of sponge or cloth when cleaning around switches, lights or controls.

Use an appliance wax polish on the inside surface between the doors.

Use warm water and baking soda solution—about a tablespoon (15 ml) of baking soda to a quart (1 liter) of water.

This both cleans and neutralizes odors. Rinse and wipe dry.



**CAUTION** Do not clean glass shelves or covers with warm water when they are cold. Glass shelves and covers may break if exposed to sudden temperature changes or impact such as bumping or dropping. Tempered glass is designed to shatter into many small pieces if it breaks.

---

## Behind the Refrigerator

Be careful when moving the refrigerator away from the wall. All types of floor coverings can be damaged, particularly cushioned coverings and those with embossed surfaces.

Raise the leveling legs located at the bottom front of the refrigerator.

Pull the refrigerator straight out and return it to position by pushing it straight in. Moving the refrigerator in a side direction may result in damage to the floor covering or refrigerator.

Lower the leveling legs until they touch the floor.

*When pushing the refrigerator back, make sure you don't roll over the power cord or water supply line.*

---

## Preparing for Vacation

For long vacations or absences, remove food and unplug the refrigerator. Clean the interior with a baking soda solution of one tablespoon (15 ml) of baking soda to one quart (1 liter) of water. Leave the doors open.

If the temperature can drop below freezing, have a qualified service technician drain the water supply system to prevent serious property damage due to flooding.

- 1) Turn refrigerator off (pages 6 and 7) or unplug the refrigerator.
  - 2) Empty ice bucket
  - 3) Turn water supply off
- 

**If you cut the water supply off, turn off the ice maker (pg. 14).**

Upon returning from vacation:

- 1) Replace the water filter.
  - 2) Run 2 gallons of water through the cold water dispenser (about 5 minutes) to flush the system.
- 

## Preparing to Move

Secure all loose items such as shelves and drawers by taping them securely in place to prevent damage.

When using a hand truck to move the refrigerator, do not rest the front or back of the refrigerator against the hand truck. This could damage the refrigerator.

Handle only from the sides of the refrigerator.

*Be sure the refrigerator stays in an upright position during moving.*



# Replacing the lights

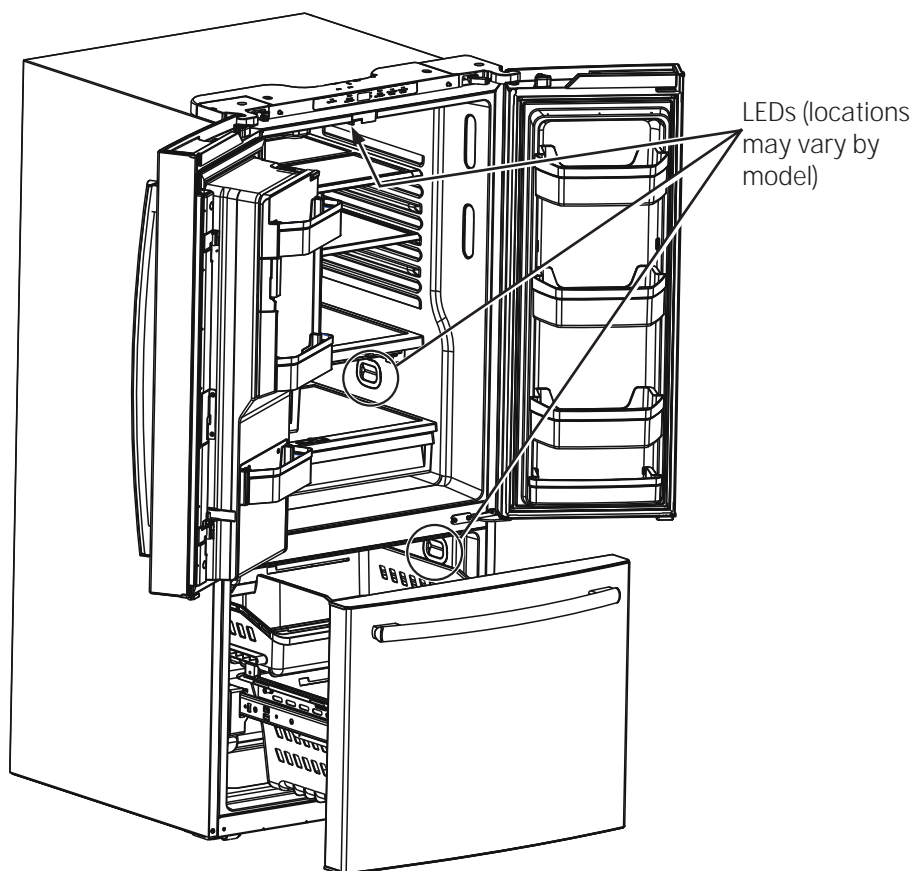
## Refrigerator Lights (LEDs)

There is LED lighting in the fresh food compartment at the top center and on the left and right sides above the climate zone pans on the french door models. LED lighting is located at the top of the fresh food compartment on the single door models.

LED lights are also located at the top of the left and right sides of the freezer in all models.

An authorized technician will need to replace the LED light.

If this assembly needs to be replaced, call GE Appliances Service at 1.800.432.2737 in the United States or 1.800.561.3344 in Canada.



# Installation Instructions

# Refrigerator

Questions? Call 800.GE.CARES (800.432.2737) or visit our Website at: [GEAppliances.com](http://GEAppliances.com)  
In Canada, call 1.800.561.3344 or visit our Website at: [www.GEAppliances.ca](http://www.GEAppliances.ca)

## BEFORE YOU BEGIN

Read these instructions completely and carefully.

- **IMPORTANT** – Observe all governing codes and ordinances. Save these instructions for local inspector's use.
- **Note to Installer** – Be sure to leave these instructions with the Consumer.
- **Note to Consumer** – Keep these instructions for future reference.
- **Skill level** – Installation of this appliance requires basic mechanical skills.
- **Completion time** – Refrigerator Installation  
20 minutes  
Water Line Installation  
30 minutes
- Proper installation is the responsibility of the installer.
- Product failure due to improper installation is not covered under the Warranty.

## PREPARATION

### MOVING THE REFRIGERATOR INDOORS

If the refrigerator will not fit through a doorway, the refrigerator door and freezer drawer or door can be removed.

- To remove the refrigerator door, see Step 1 in the *Reversing the Door Swing* section.
- To remove the freezer drawer, see the *Removing the Freezer Drawer* section.

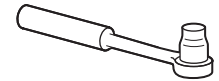
### WATER SUPPLY TO THE ICE MAKER AND DISPENSER

If the refrigerator has an ice maker, it will have to be connected to a cold water line. A GE water supply kit (containing tubing, shutoff valve, fittings and instructions) is available at extra cost from your dealer, by visiting our website at [GEAppliances.com](http://GEAppliances.com) (in Canada at [www.GEAppliances.ca](http://www.GEAppliances.ca)) or from Parts and Accessories, 800.626.2002 (in Canada 1.800.661.1616).

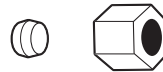
## TOOLS YOU MAY NEED



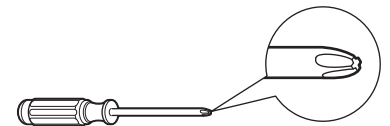
Adjustable Wrench



3/8" and 5/8" Socket Ratchet/Driver



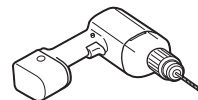
1/4" Outer Diameter Compression Nut and Ferrule (sleeve) (ice maker models only)



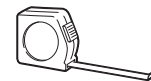
Phillips-Head Screwdriver



3/32", 1/8" & 3/16" Allen Wrenches



1/8" Drill Bit and Electric or Hand Drill



Tape Measure



Pencil



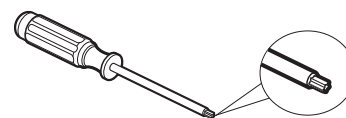
1/4" Nut Driver



Wire Cutters



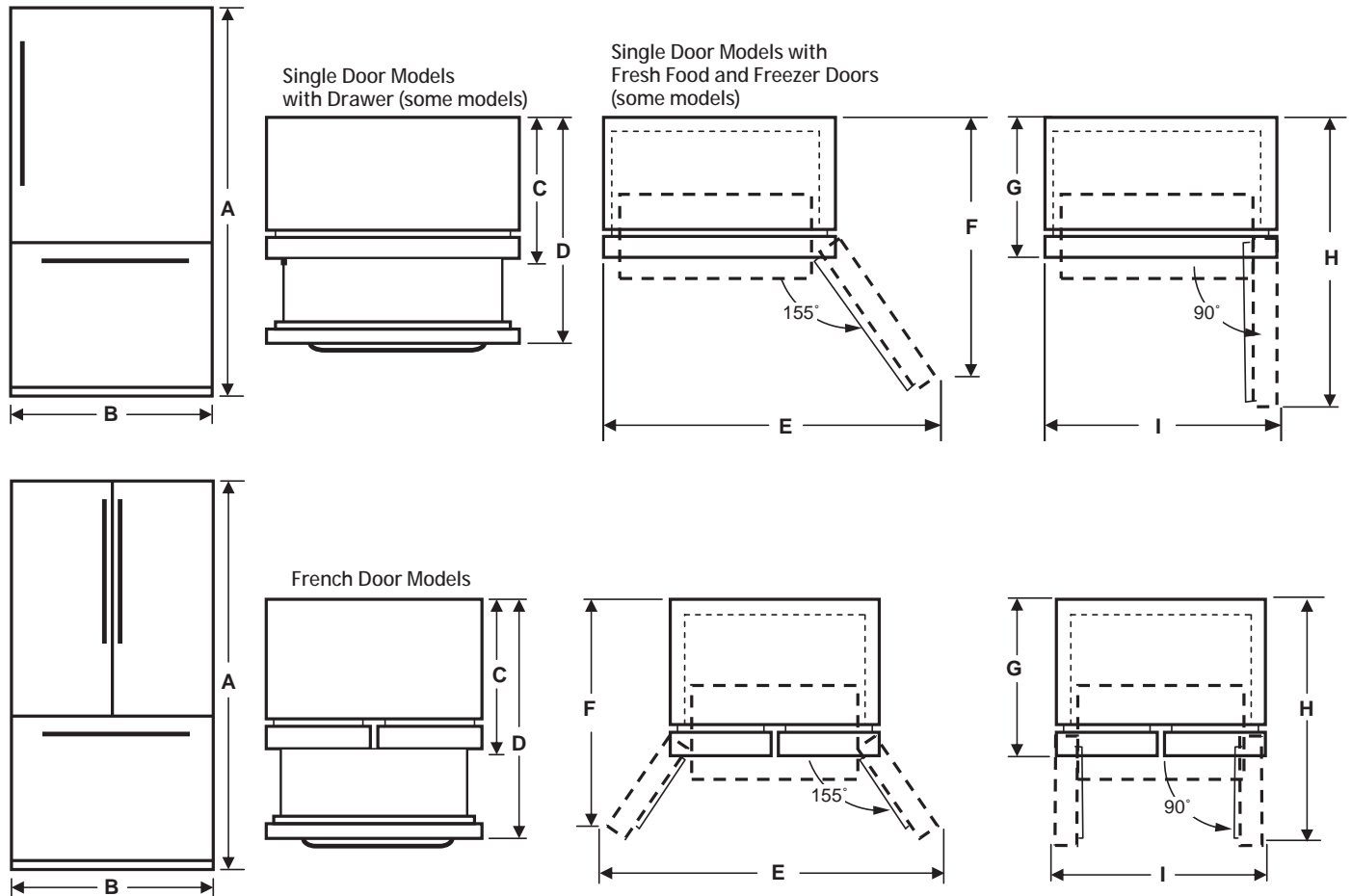
Level



Torx T20, Driver

# Installation Instructions

## APPLIANCE DIMENSIONS



ITEM	21 cuft models with single door	21 cuft models with french doors	25 cuft models with single door	24/25 cuft models with french doors
A*	69-7/8"	69-7/8"	69-7/8"	69-7/8"
B	30"	30"	33"	33"
C**	36-1/8"	36-3/8"	37-3/8"	37-1/8"
D**	-	54"	54-3/4"	54-3/4"
E	55"	54-7/8"	60-1/2"	60-1/2"
F	45-5/8"	37"	48"	38-3/4"
G	33-7/8"	34-3/8"	34-7/8"	35-3/8"
H	61"	45-7/8"	65"	48-3/8"
I**	33-1/2"	37-5/8"	36"	40-1/2"

**NOTE:**

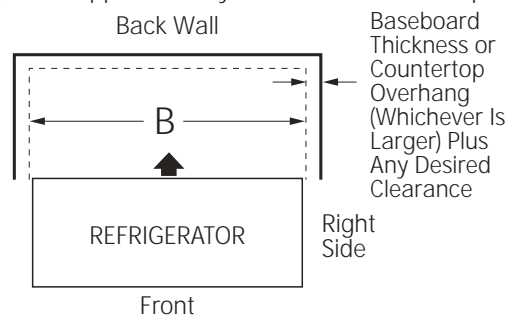
\* The height of the refrigerator to the top of the door.

\*\* Includes the handle.

### MEASURE THE CABINET OPENING ACCORDING TO THE WIDTH OF THE REFRIGERATOR

Measure width of cabinet opening where refrigerator will be placed, B.

Be sure to account for any countertop overhang, baseboard thickness and any clearance desired. Width, B, should not be less than 30"-33" (depending on model). The refrigerator will be placed approximately in the middle of this opening.



# Installation Instructions

## INSTALLING THE REFRIGERATOR

### REFRIGERATOR LOCATION

- Do not install the refrigerator where the temperature will go below 60°F (16°C) because it will not run often enough to maintain proper temperatures.
- Do not install the refrigerator where the temperature will go above 100°F (37°C) because it will not perform properly.
- Do not install the refrigerator in a location exposed to water (rain, etc.) or direct sunlight.
- Install it on a floor strong enough to support it fully loaded.

### CLEARANCES

Allow the following clearances for ease of installation, proper air circulation and plumbing and electrical connections.

Sides	1/8" (3 mm)
Top	1" (25 mm) Cabinet/Hinge Cover
Back	2" (50 mm)

### IMPORTANT NOTES

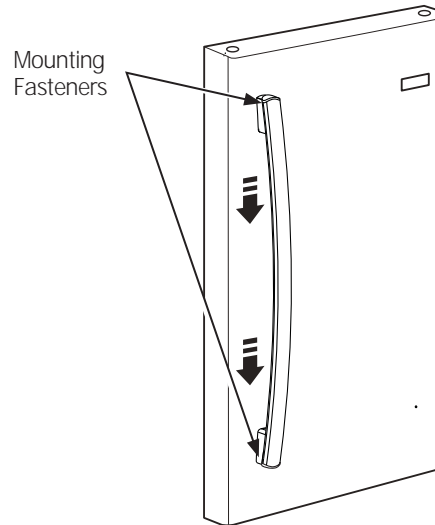
This refrigerator without the handles ranges from 34" to 35-1/4" depending on your model (see dimension G on the previous page). Doors and passageways leading to the installation location must be at least 36" in order to leave the doors attached to the refrigerator while transporting it into the installation location. If passageways are less than 36", the refrigerator doors can easily be scratched and damaged. The doors can be removed to allow the refrigerator to be safely moved indoors.

- If you need to remove the door and you have the french door model, see *Removing the French Doors* on page 20.
- If you need to remove the door and you have the single fresh food door model, see *Reversing the Door* on page 26.
- To remove the freezer door and you have the model with a freezer drawer see *Removing Freezer Drawer* on page 24.
- If you have the model with the hinged freezer door see *Reversing the Door* on page 26.
- If it is **NOT** necessary to remove doors, skip to Step 6. Leave tape and all packaging on doors until the refrigerator is in the final location. Once in place, install door handles (see Steps 1 and 2).
- **SKID REMOVAL:** Tilt refrigerator to each side to remove skid.
- **NOTE:** Use a padded hand truck to move this refrigerator. Place the refrigerator on the hand truck with a side against the truck. We strongly recommend that **TWO PEOPLE** move and complete this installation.

### 1 ATTACH FRESH FOOD HANDLE(S)

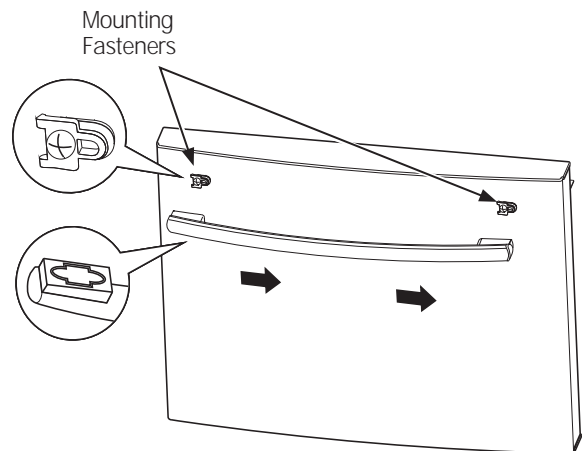
Attach the handle to the mounting fasteners by aligning the slots on the handle with the mounting fasteners. Slide the handle down until you hear a "click".

**NOTE:** For French Door models, follow the same procedure for both doors.



### 2 ATTACH FREEZER HANDLE

Attach the handle to the mounting fasteners by aligning the slots on the handle with the mounting fasteners. Slide the handle to the right until you hear a "click".



# Installation Instructions

## REMOVING FRENCH DOORS (on some models)

### IMPORTANT NOTES

When removing french doors:

- Read the instructions all the way through before starting.
- Handles are included inside the refrigerator.
- Place the screws by their related parts to avoid using them in the wrong places.
- Provide a non-scratching work surface for the doors.

#### **CAUTION**

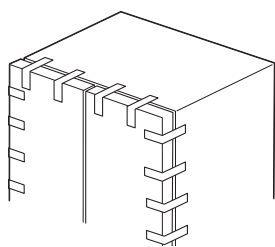
Lifting Hazard. Single person lift can cause injury. Use assistance when handling, moving or lifting the refrigerator doors.

**NOTE:** When moving door, to prevent damage to door and electronics carefully place the door in a proper location.

#### **WARNING**

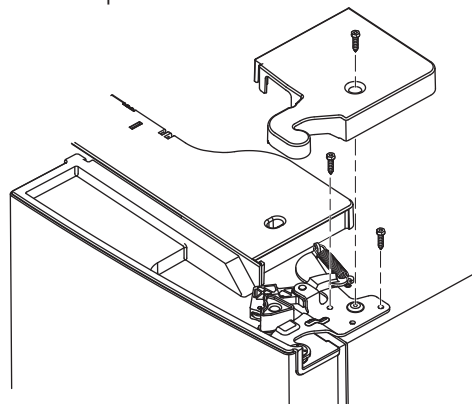
To eliminate the risk of electric shock or injury during installation, you must first unplug the refrigerator before proceeding. Failure to follow these instructions can result in electrical shock.

Tape the doors shut with adhesive tape.



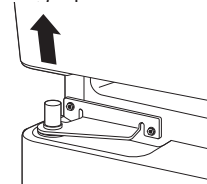
### 1 REMOVING RIGHT DOOR

- A. Remove the hinge cover on top of the right fresh food door by removing the screw using a Phillips screwdriver.



- B. Using a 5/16" socket ratchet/driver, remove the bolts securing the top hinge to the cabinet. Lift the hinge support straight up to free the hinge pin from the socket in the top of the door.

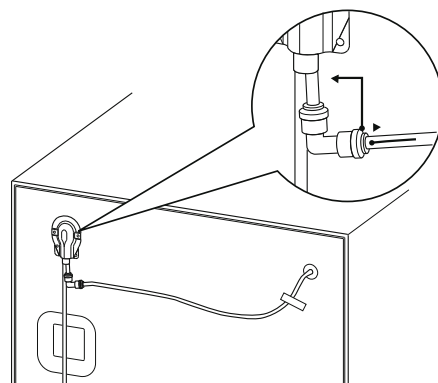
- C. Remove the tape from the right door and tilt the door away from the cabinet. Lift the door off the center hinge pin.



- D. Set the door on a non-scratching surface with the inside up.

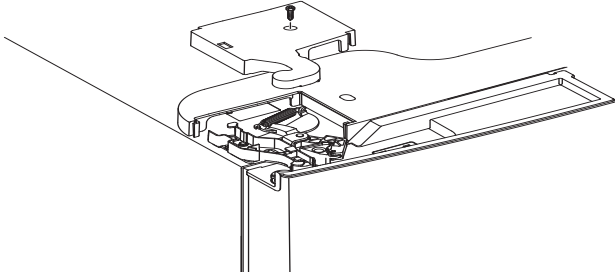
### 2 REMOVING LEFT DOOR

- A. For Ice and Water Models Only: Unplug the water line from the back of the refrigerator and remove all tape that fixes the water line to the refrigerator.



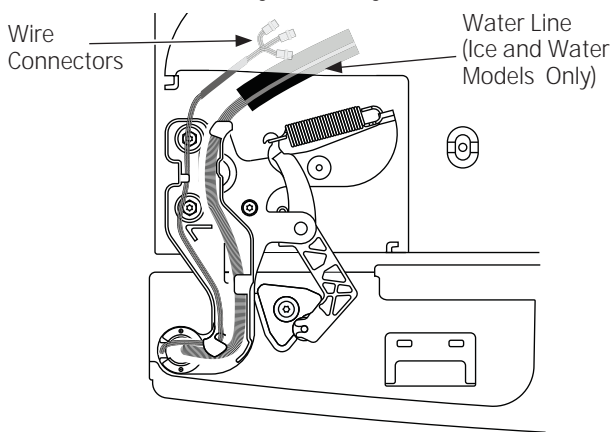
# Installation Instructions

- B. Remove the hinge cover on top of the left fresh food door by removing the screw using a Phillips screwdriver.

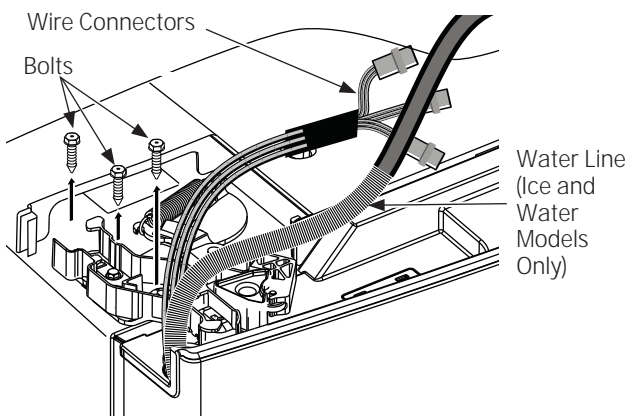


- C. Unplug the 3 wire connectors and move the wires until you can see the screws holding the hinge.

**For Ice and Water Models Only:** Pull the water line very carefully.

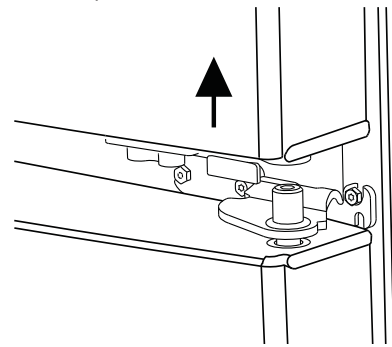


- D. Using a 5/16" socket/ratchet driver, remove the bolts securing the top hinge to the cabinet.



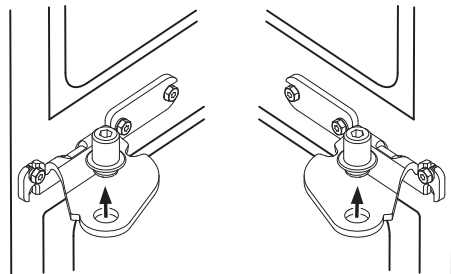
**For NON Ice and Water Models Only:** Lift the hinge straight up to free the hinge pin from the socket in the top of the door and pass the wire through the slot in the hinge. **For Ice and Water Models Only:** Do not remove hinge from the door.

- E. Remove the tape from the door, open the door 90 degrees and tilt the door away from the cabinet. Lift the door off the center hinge pin.
- F. Set the door on a non-scratching surface with the inside up.

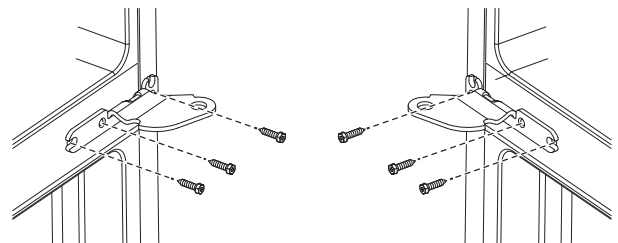


## 3 REMOVING CENTER HINGES AND BRACKETS

- A. Using a 1/4" Allen wrench, remove the 2 hinge pins from the hinge brackets.



- B. Using a 5/16" socket/ratchet driver, remove the bolts securing the center hinge brackets to the cabinet.



# Installation Instructions

## REINSTALLING THE FRENCH DOORS (on some models)

### IMPORTANT NOTES

When replacing the french doors:

- Read the instructions all the way through before starting.

#### ⚠ CAUTION

Lifting Hazard. Single person lift can cause injury. Use assistance when handling, moving or lifting the refrigerator doors.

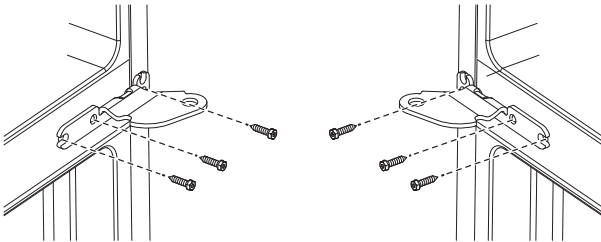
**NOTE:** When moving door, to prevent damage to door and electronics carefully place the door in a proper location.

#### ⚠ WARNING

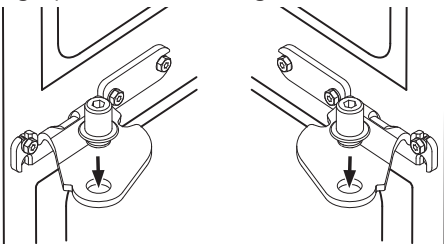
To eliminate the risk of electric shock or injury during installation, you must first unplug the refrigerator before proceeding. Failure to follow these instructions can result in electrical shock.

### 1 REINSTALLING CENTER HINGE BRACKETS AND HINGES

- A. Using a 5/16" socket/ratchet driver, reinstall the bolts and center hinge brackets to the cabinet.

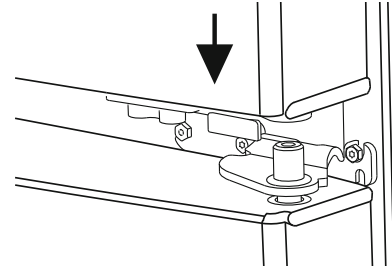


- B. Using a 1/4" Allen wrench, reinstall the 2 hinge pins into the hinge brackets.

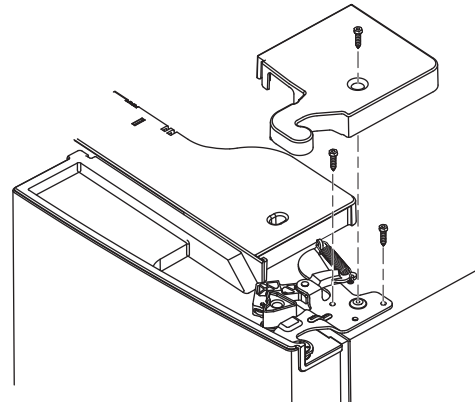


### 2 REHANGING THE RIGHT DOOR

- A. Lower the refrigerator door onto the right hinge pin.



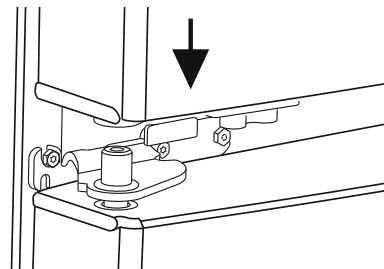
- B. Make sure the door is aligned with the cabinet. Attach the hinge to the top of the cabinet loosely with bolts removed earlier.
- C. Make sure the gasket on the door is flush against the cabinet and is not folded. Tighten the bolts to 60 lb/in.



- D. Replace the right hinge cover on top of the refrigerator using a Phillips screwdriver.

### 3 REHANGING THE LEFT DOOR

- A. For **NON Ice and Water Models Only**: Pass the wire through the slot in the hinge. Place the hinge pin into the top of the door.
- B. Lower the refrigerator door onto the left hinge pin.

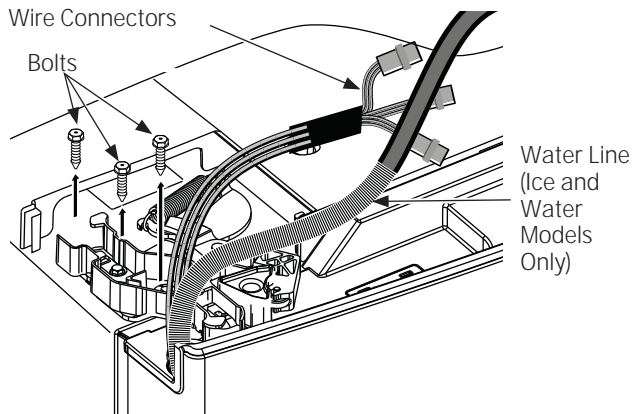




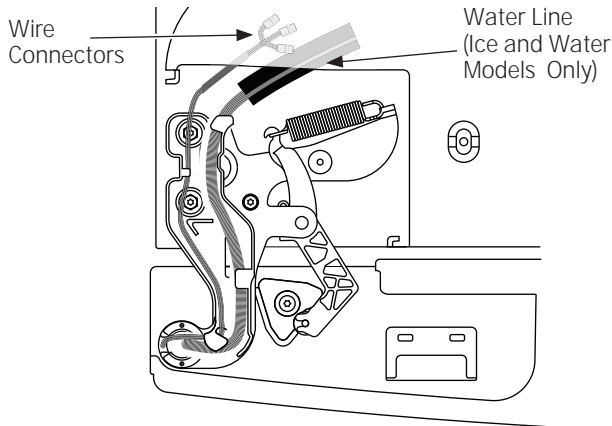
# Installation Instructions

C. Make sure the door is aligned with the cabinet. Attach the hinge to the top of the cabinet loosely with bolts removed earlier.

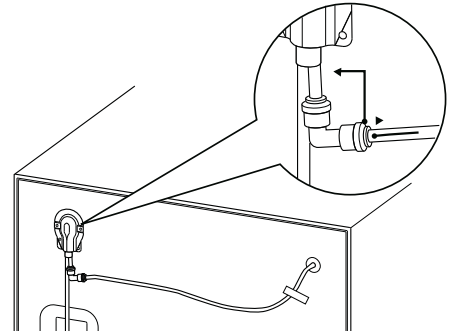
D. Make sure the gasket on the door is flush against the cabinet and is not folded. Tighten the bolts to 60 lb/in.



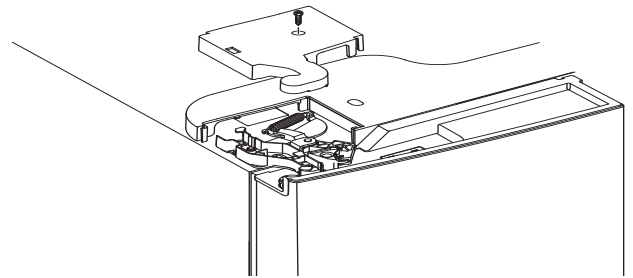
E. Plug the wire connectors together and route the wire inside the plastic port.



F. For Ice and Water Models Only: Put the water line into the hole and pass through the plastic port to the back of the refrigerator. Plug the water line back into the fixture on back of the refrigerator. Tape water line to the refrigerator.



G. Replace the left hinge cover on top of the refrigerator using a Phillips screwdriver.



# Installation Instructions

## REMOVING FREEZER DRAWER (on some models)

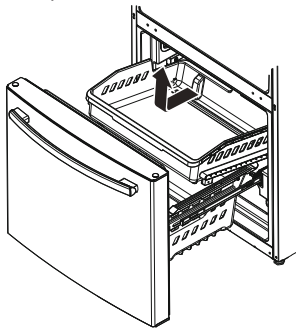
### IMPORTANT NOTES

When removing freezer drawer:

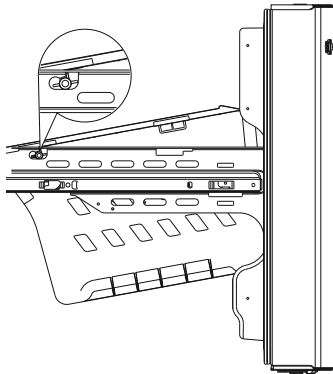
- Read the instructions all the way through before starting.
- Provide a non-scratching work surface for the doors.

### 1 REMOVE THE BASKETS

- A. Open the freezer drawer until it stops.
- B. Pull the top basket out until it stops. Lift the basket up on the front and out to remove.

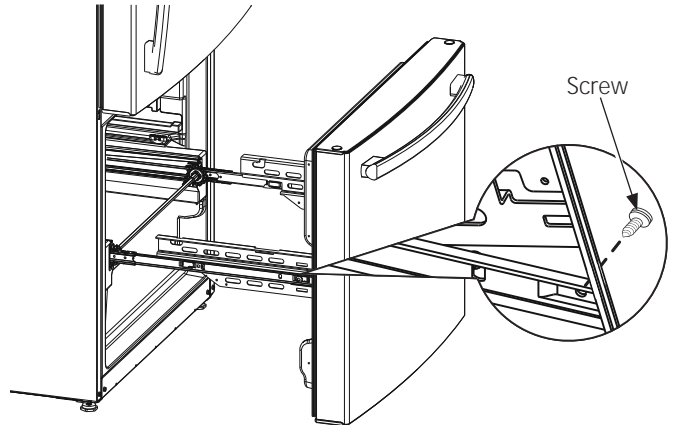


- C. The lower basket rests on a frame inside the freezer drawer. Lift the front of the basket and pull it forward. Release the pins from the slots on the frame to remove the basket.

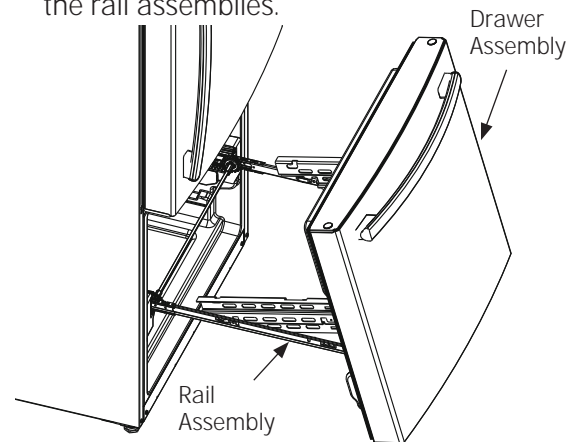


### 2 REMOVE THE DRAWER FRONT

- A. Remove the screw on each side of the railing.



- B. Lift up on both sides of the freezer drawer handle to separate the drawer railings from the rail assemblies.

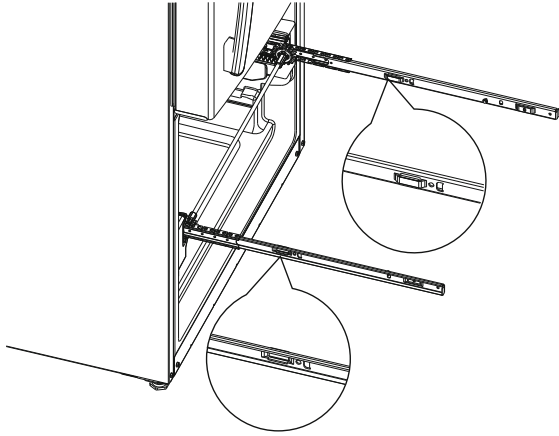


- C. Set the drawer front on a non-scratching surface.
- D. Push the rail assemblies back into locking position.

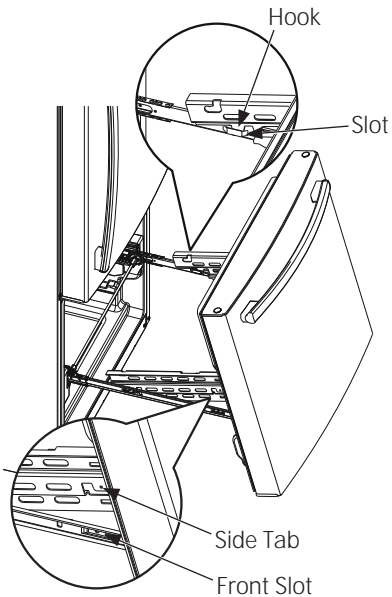
# Installation Instructions

## 3 REINSTALL FREEZER DRAWER FRONT

- A. Pull the rail assemblies to the maximum extension.
- B. Locate the slots on the inside of each slide.

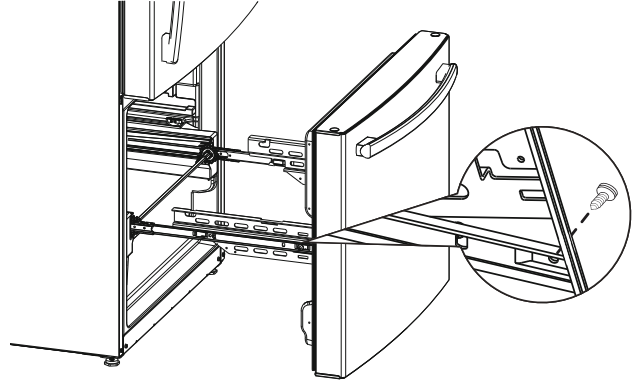


- C. Insert the hooks on the ends of the drawer assembly extensions into the slots near the back of the slides.



- D. Lower the front end of the freezer drawer assembly so the side tabs fit into the front slots on the rail assemblies.

- E. Replace the safety screws in both sides of the slide assemblies.



- F. Replace lower and upper baskets (see *About freezer drawer*, page 12).

# Installation Instructions

## REVERSING THE DOOR (on some models)

### IMPORTANT NOTES

When reversing doors:

- Read the instructions all the way through before starting.
- Logo badge, handles, plugs and right hinge cover are included inside the refrigerator (some models).
- Place the screws by their related parts to avoid using them in the wrong places.
- Provide a non-scratching work surface for the doors.

### ⚠ CAUTION

Lifting Hazard. Single person lift can cause injury. Use assistance when handling, moving or lifting the refrigerator doors.

**NOTE:** When removing door, to prevent damage to door and electronics carefully place the door in a proper location.

**NOTE:** The lower door hinge pin and hinge are keyed and must be matched correctly for the door to self close properly. Please follow directions carefully.

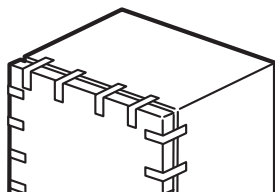
Freezer door is heavy. Use both hands to secure the door before lifting.

### ⚠ WARNING

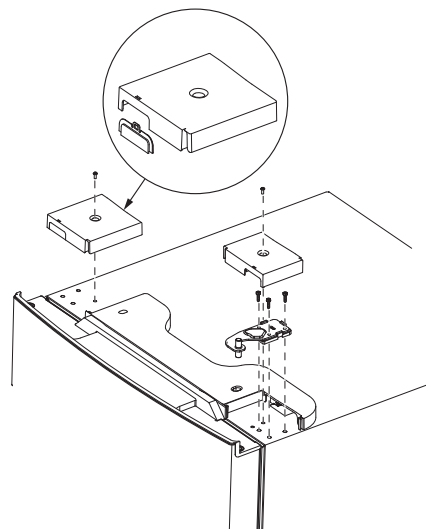
To eliminate the risk of electric shock or injury during installation, you must first unplug the refrigerator before proceeding. Failure to follow these instructions can result in electrical shock.

### 1 REMOVE THE REFRIGERATOR DOORS

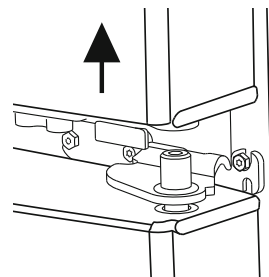
- A. Tape the door shut with masking tape.



- B. Remove right and left hinge covers on top of the refrigerator using a Phillips screwdriver.



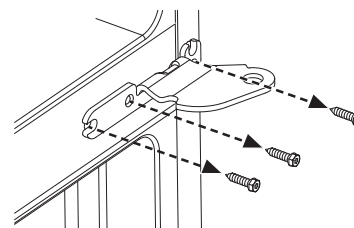
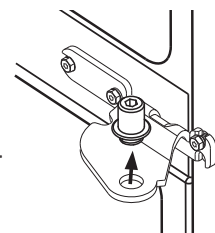
- C. Using a 5/16" socket/ratchet driver, remove the bolts securing the top hinge to the cabinet. Lift the hinge straight up to remove.



- D. Remove the tape and tilt the fresh food door away from the cabinet. Lift the door off of the center hinge pin.
- E. Set the fresh food door on a non-scratching surface with the inside up.

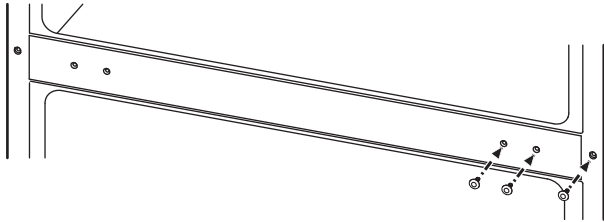
### For Models With a Freezer DRAWER:

- F. Using a 1/4" Allen wrench, remove the hinge pin from the hinge bracket. The hinge pin will be used again on the opposite side.
- G. Using a 5/16" socket/ratchet driver, remove the bolts securing the center hinge to the cabinet.

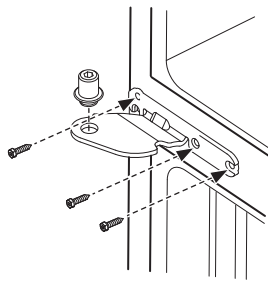


# Installation Instructions

- H. Remove the button plugs on the left side of the cabinet across from where the hinge bracket was located and install in the holes where the bracket was removed.



- I. Flip the center hinge bracket and install on the left side of the cabinet where the button plugs were removed.

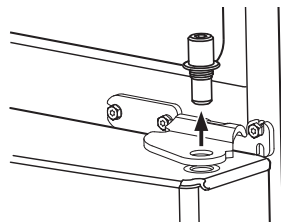


- J. Using a 1/4" Allen wrench, install the hinge pin into the center hinge bracket.

**For Models With a Freezer DOOR:**

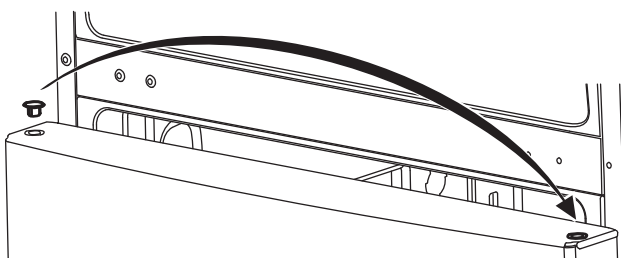
- F. Tape the freezer door shut with adhesive tape.

- G. Using a 1/4" Allen wrench, remove the hinge pin from the hinge bracket. The hinge pin will be used again on the opposite side.



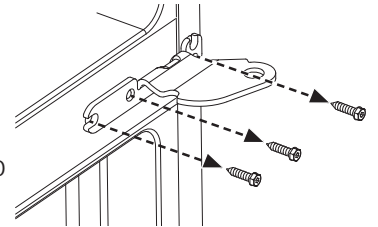
- H. Remove the tape and tilt the door away from the cabinet. Lift the door off of the bottom hinge pin.

- I. Using a thing-blade screwdriver remove the button plug from the top left side of the door and install it on the opposite side.

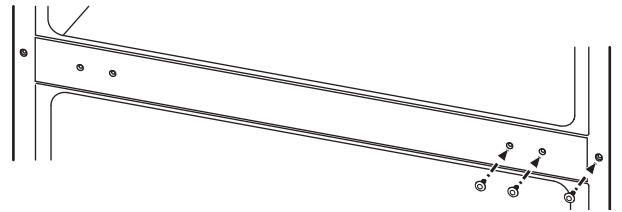


- J. Set the door on a non-scratching surface with the inside up.

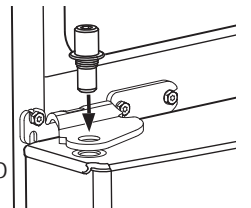
- K. Using a 5/16" socket/ratchet driver, remove the bolts securing the center hinge to the cabinet.



- L. Locate the button plugs in the kit and install them in the opposite side of center hinge.

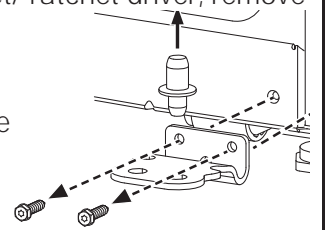


- M. Flip the center hinge bracket. Using a 5/16" socket/ratchet driver, install the center hinge bolt on the left side of the cabinet and torque to 60 in-lb.

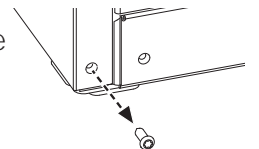


- N. Using a 1/4" Allen wrench, install the hinge pin into the center hinge bracket. Do not let the pin go past the bottom of the bracket.

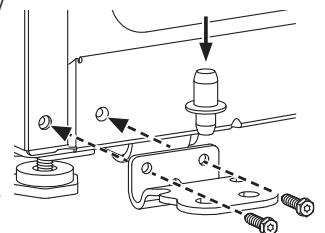
- O. Using a 5/16" socket/ ratchet driver, remove the screws from the bottom hinge bracket. These will be reinstalled on the other side. Pull up on the hinge pin to remove.



- P. Using a Torx T-20 screwdriver, remove the screw from the cabinet and install it on the other side.



- Q. Using 5/16" socket/ ratchet driver, install the bottom hinge bracket and torque the screws to 60 in-lb. Remount the hinge and pin in the opposite hole on the cabinet.

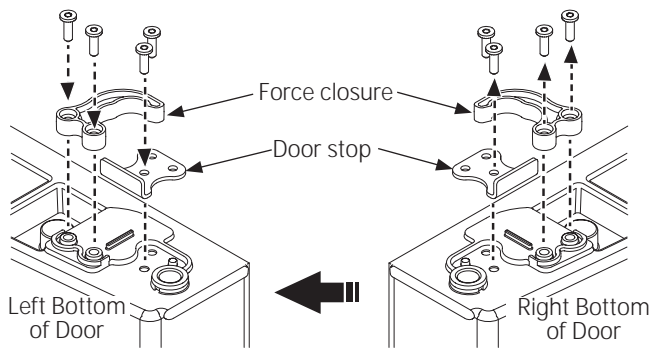


# Installation Instructions

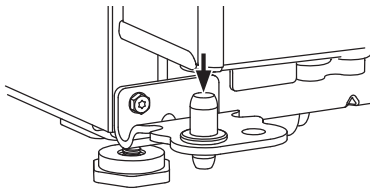
## REVERSING THE DOOR (Cont.)

### 2 REINSTALL FREEZER DOOR.

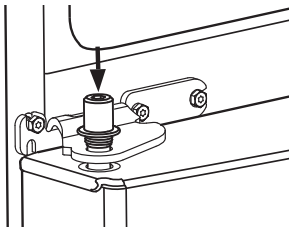
- Using a Torx T-20 screwdriver, remove the bolts securing the door stop on the bottom right of the door.
- Using a Trox T-20 screwdriver, remove the plastic force closure on the bottom right of the door.
- Flip the plastic force closure and mount it to the bottom left of the door.
- Install the door stop to the bottom left of the door.



- Lower the freezer door and make sure to insert the hinge pin in the bottom hole of the door.

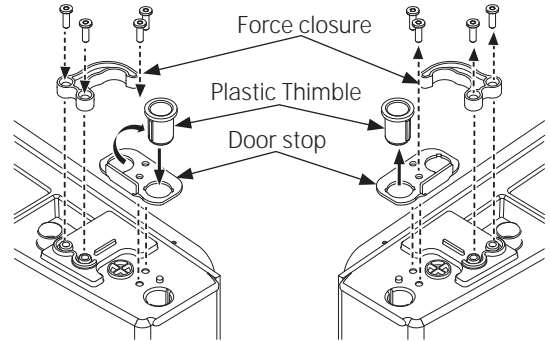


- Straighten the door and line it up with the center hinge bracket. Using a 1/4" Allen wrench, turn the hinge pin until it extends through the hinge bracket and into the door.

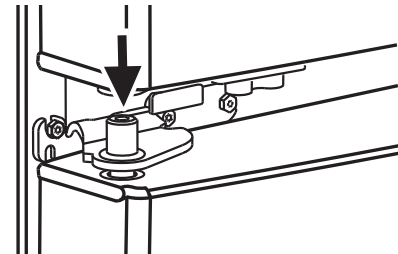


### 3 REINSTALL FRESH FOOD DOOR.

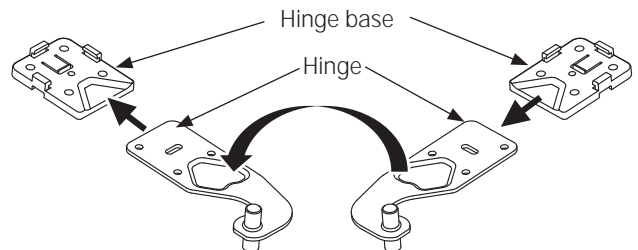
- Using a Torx T-20 screwdriver, remove the bolts securing the door stop on the bottom right of the door.



- Transfer the plastic thimble to the opposite hole. Install the door stop with the plastic thimble on the opposite side.
- Using a Trox T-20 screwdriver, remove the plastic force closure on the bottom right of the door.
- Flip the plastic force closure and mount it to the bottom left of the door.
- Install the door stop to the bottom left of the door.
- Lower the fresh food door and make sure to insert the hinge pin in the bottom hole of the door.



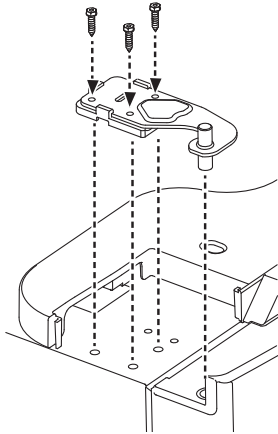
- Remove the hinge base from the hinge. Flip the hinge over and remount to hinge base.



# Installation Instructions

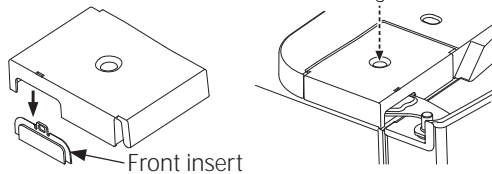
- H. Insert the top hinge pin inside the hole in the top left of the fresh food door. Make sure the door is aligned with the cabinet. Attach the hinge to the top of the cabinet loosely with the bolts that were removed previously.

Make sure the gasket on the door is flush against the cabinet and not folded. Support the door on the handle side and make sure the door is straight and the gap between the doors is even across the front. While holding the door in place, tighten the screws to 60 in-lb.

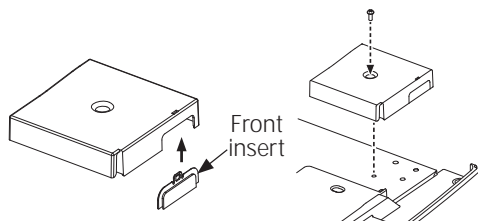


## For Models with a Freezer DRAWER:

- I. Remove the front insert from the left hinge cover. Install the left hinge cover using a Phillips screwdriver and the screw removed earlier.

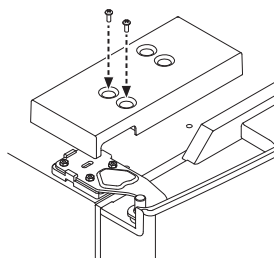


- J. Install the front insert into the right hinge cover. Install the right hinge cover using a Phillips screwdriver and the screws removed earlier.

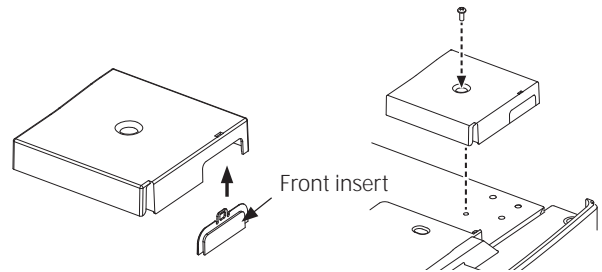


## For Models with a Freezer DOOR:

- I. Locate the left hinge cover that comes with the kit. Using a Phillips screwdriver, install the cover with the screws provided.



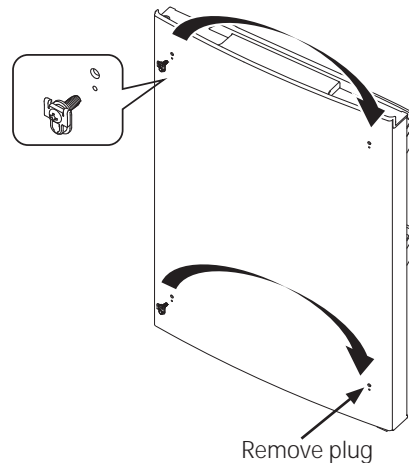
- J. Locate the insert for the right hinge cover that comes with the kit and install.



- K. Using a Phillips screwdriver, install the right hinge cover with screws provided.

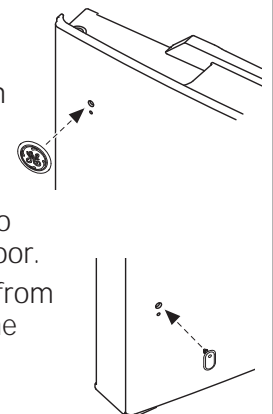
## 4 TRANSFER HANDLE MOUNTING FASTENERS

- A. Remove the plug from the lower right hole.  
B. Using a Phillips screwdriver remove the screws holding the mounting brackets from the left side and install them on the right side.



## 5 INSTALLING LOGO BADGE

- A. Locate the new logo badge from the kit. Remove the adhesive backing paper and align the pins on the back of the badge with the holes in the door. Apply pressure to the badge to ensure it sticks to the door.  
B. Locate the button plug from the kit and install it in the opposite side of handle.





# Installation Instructions

## INSTALLING THE REFRIGERATOR (cont.)

### 6 CONNECTING THE REFRIGERATOR TO THE HOUSE WATER LINE

#### (Icemaker models only)

A cold water supply is required for automatic ice maker operation. If there is not a cold water supply, you will need to provide one. See Installing the Water Line section.

#### NOTES:

- Before making the connection to the refrigerator, be sure the refrigerator power cord is not plugged into the wall outlet.
- If your refrigerator does not have a water filter, we recommend installing one if your water supply has sand or particles that could clog the screen of the refrigerator's water valve. Install it in the water line near the refrigerator. If using GE SmartConnect™ Refrigerator Tubing Kit, you will need an additional tube (WX08X10002) to connect the filter. Do not cut plastic tube to install filter.
- Before connecting the water line to the house, purge the house line for at least 2 minutes.

**A. If you are using copper tubing,** place a compression nut and ferrule (sleeve) onto the end of the tubing coming from the house cold water supply.

**If you are using the GE SmartConnect™ tubing,** the nuts are already assembled to the tubing.

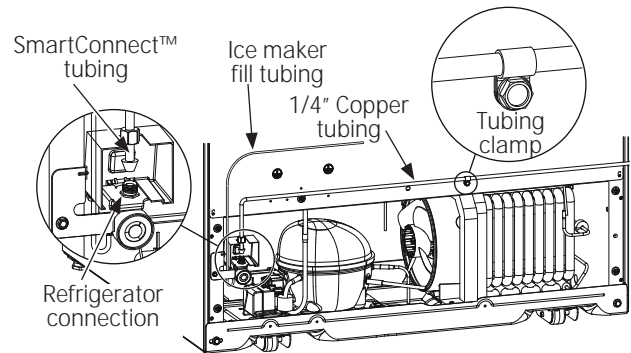
**B. If you are using copper tubing,** insert the end of the tubing into the refrigerator connection, at the back of the refrigerator, as far as possible. While holding the tubing, tighten the fitting.

**If you are using GE SmartConnect™ tubing,** insert the molded end of the tubing into the refrigerator connection, at the back of the refrigerator, and tighten the compression nut until it is hand tight. Then tighten one additional turn with a wrench. Over tightening may cause leaks.

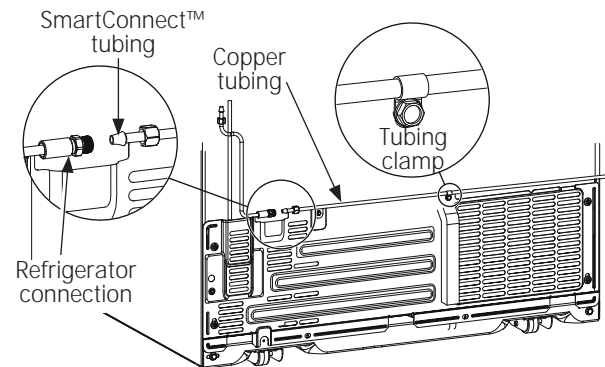
**C. Fasten the tubing into the clamp** provided to hold it in position. You may need to pry open the clamp.

One of the illustrations below will look like the connection on your refrigerator.

#### Icemaker-Ready Models



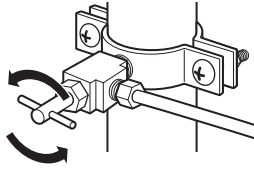
#### Icemaker-Installed Models



# Installation Instructions

## 7 TURN ON THE WATER SUPPLY (Icemaker models)

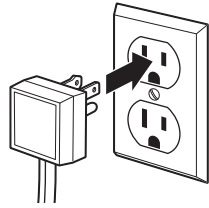
Turn the water on at the shutoff valve (house water supply) and check for any leaks.



## 8 PLUG IN THE REFRIGERATOR

On models with an icemaker, before plugging in the refrigerator, make sure the icemaker power switch is set to the 0 (off) position.

See the grounding information attached to the power cord.



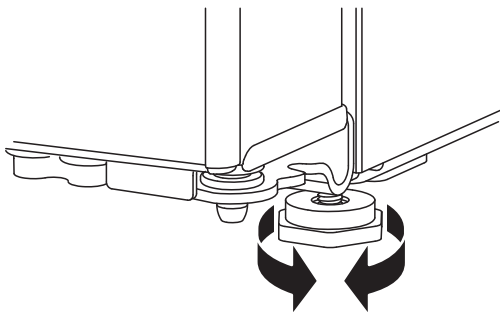
## 9 PUT THE REFRIGERATOR IN PLACE

Move the refrigerator to its final location.

## 10 LEVEL THE REFRIGERATOR

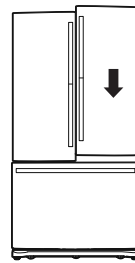
**Adjustable legs** at the front corners of the refrigerator should be set so the refrigerator is firmly positioned on the floor, and the front is raised just enough that the door closes easily when opened about halfway.

**To adjust the leveling legs**, turn the legs **clockwise** to raise the refrigerator, **counterclockwise** to lower it.

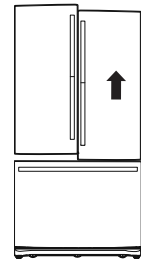


## 11 LEVEL THE REFRIGERATOR DOORS (on some models)

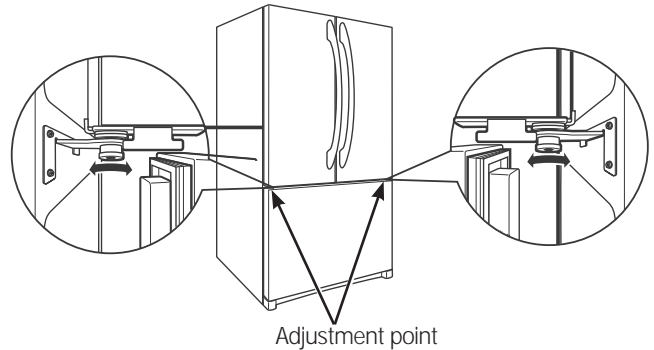
Remember a level refrigerator is necessary for getting the doors perfectly even. If you need help, review the previous section on leveling the refrigerator.



When the left door is lower than the right door.



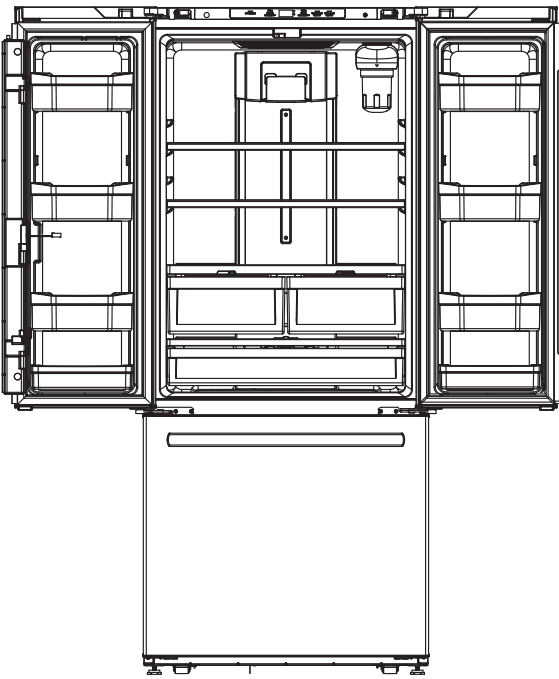
When the left door is higher than the right door.



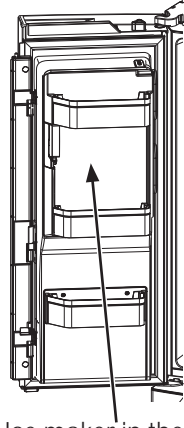
If the doors remain uneven, turn the adjustable pin to raise the lowest door using a 1/4" allen wrench to turn the pin.

# Installation Instructions

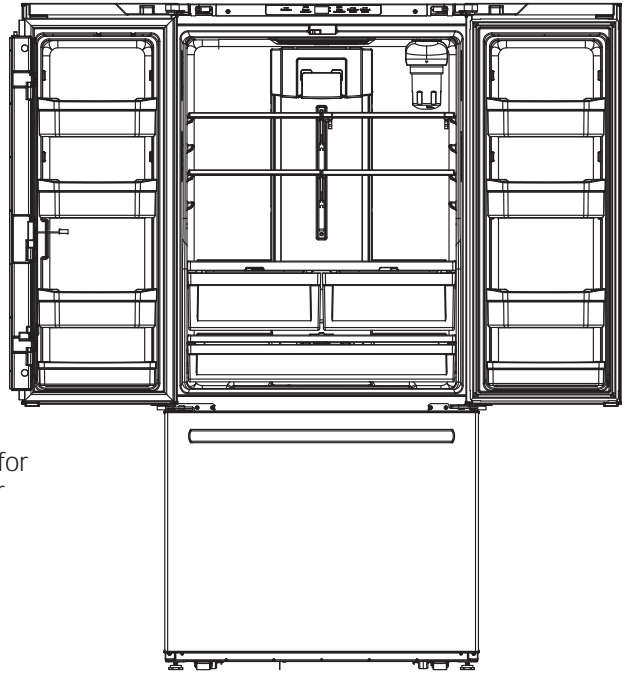
Refrigerator suggested assembly.  
Shelves shown in the location for best energy efficiency.



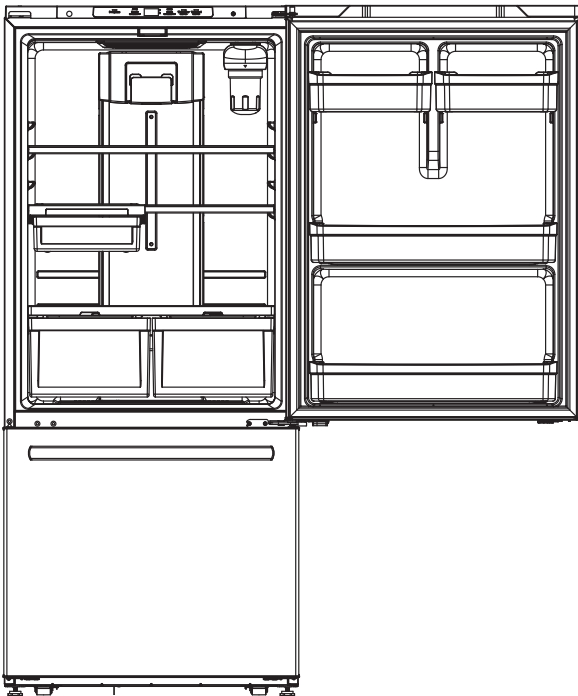
GNE21 Models  
French Door with Freezer Drawer



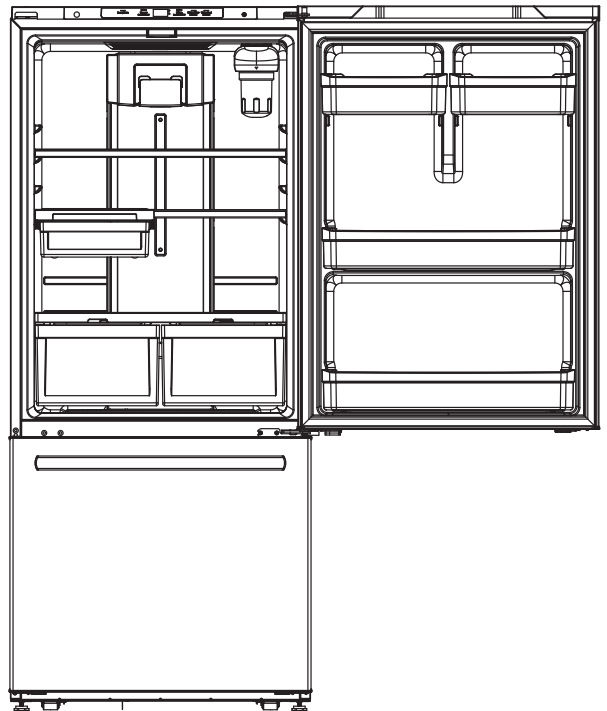
Ice maker in the door is available for all 24 french door models.



GFE24, PFE24, CFE24, GNE25, PNE25,  
CNE25 Models  
French Door with Freezer Drawer



GDE21, GDE25 Models  
Single Door with Freezer Drawer



GBE21, ABE21 Models  
Single Door with Freezer Door

# Installation Instructions

## INSTALLING THE WATER LINE

### BEFORE YOU BEGIN

Recommended copper water supply kits are WX8X2, WX8X3 or WX8X4, depending on the amount of tubing you need. Approved plastic water supply lines are GE SmartConnect™ Refrigerator Tubing (WX08X10006, WX08X10015 and WX08X10025).

When connecting your refrigerator to a GE Reverse Osmosis Water System, the only approved installation is with a GE Appliances RVKit. For other reverse osmosis water systems, follow the manufacturer's recommendations.

If the water supply to the refrigerator is from a Reverse Osmosis Water Filtration System (RO) AND the refrigerator also has a water filter, use the refrigerator's filter bypass plug. Using the refrigerator's water filtration cartridge in conjunction with an RO water filter can result in hollow ice cubes. Some models do not come equipped with the filter bypass plug. To obtain a free bypass plug, call 800-GEARES. In Canada call 800.561.3344.

This water line installation is not warranted by the refrigerator or ice maker manufacturer. Follow these instructions carefully to minimize the risk of expensive water damage.

Water hammer (water banging in the pipes) in house plumbing can cause damage to refrigerator parts and lead to water leakage or flooding. Call a qualified plumber to correct water hammer before installing the water supply line to the refrigerator.

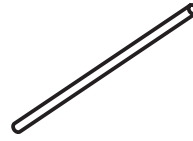
To prevent burns and product damage, do not hook up the water line to the hot water line.

Do not install the ice maker tubing in areas where temperatures fall below freezing.

When using any electrical device (such as a power drill) during installation, be sure the device is double insulated or grounded in a manner to prevent the hazard of electric shock, or is battery powered.

All installations must be in accordance with local plumbing code requirements.

### WHAT YOU WILL NEED



- Copper or GE SmartConnect™ Refrigerator Tubing kit, 1/4" outer diameter to connect the refrigerator to the water supply. If using copper, be sure both ends of the tubing are cut square.

To determine how much tubing you need: measure the distance from the water valve on the back of the refrigerator to the water supply pipe. Be sure there is sufficient extra tubing to allow the refrigerator to move out from the wall after installation.

GE SmartConnect™ Refrigerator Tubing Kits are available in the following lengths:

6' (1.8 m)	– WX08X10006
15' (4.6 m)	– WX08X10015
25' (7.6 m)	– WX08X10025

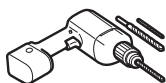
# Installation Instructions

## INSTALLING THE WATER LINE (cont.)

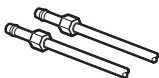
### WHAT YOU WILL NEED (CONT.)

NOTE: The only GE Appliances approved plastic tubing is that supplied in GE SmartConnect™ Refrigerator Tubing kits. Do not use any other plastic water supply line because the line is under pressure at all times. Certain types of plastic will crack or rupture with age and cause water damage to your home.

- A GE Appliances water supply kit (containing tubing, shutoff valve and fittings listed below) is available at extra cost from your dealer or from Parts and Accessories, 800.626.2002 (in Canada 1.800.661.1616).
- A cold water supply. The water pressure must be between 20 and 120 p.s.i. (1.4–8.1 bar).



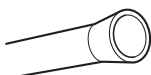
- Power drill.
- 1/2" or adjustable wrench.
- Straight and Phillips blade screwdriver.



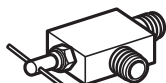
- Two 1/4" outer diameter compression nuts and 2 ferrules (sleeves)—to connect the copper tubing to the shutoff valve and the refrigerator water valve.

OR

- If you are using a GE SmartConnect™ Refrigerator Tubing kit, the necessary fittings are preassembled to the tubing.



- If your existing copper water line has a flared fitting at the end, you will need an adapter (available at plumbing supply stores) to connect the water line to the refrigerator OR you can cut off the flared fitting with a tube cutter and then use a compression fitting. Do not cut formed end from GE SmartConnect™ Refrigerator tubing.



- Shutoff valve to connect to the cold water line. The shutoff valve should have a water inlet with a minimum inside diameter of 5/32" at the point of connection to the COLD WATER LINE. Saddle-type shutoff valves are included in many water supply kits. Before purchasing, make sure a saddle-type valve complies with your local plumbing codes.

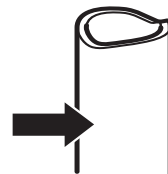
Install the shutoff valve on the nearest frequently used drinking water line.

### 1 SHUT OFF THE MAIN WATER SUPPLY

Turn on the nearest faucet long enough to clear the line of water.

### 2 CHOOSE THE VALVE LOCATION

Choose a location for the valve that is easily accessible. It is best to connect into the side of a vertical water pipe. When it is necessary to connect into a horizontal water pipe, make the connection to the top or side, rather than at the bottom, to avoid drawing off any sediment from the water pipe.

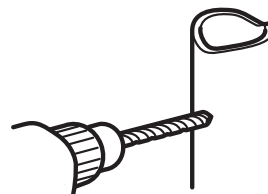


### 3 DRILL THE HOLE FOR THE VALVE

Drill a 1/4" hole in the water pipe (even if using a self-piercing valve), using a sharp bit. Remove any burrs resulting from drilling the hole in the pipe.

Take care not to allow water to drain into the drill.

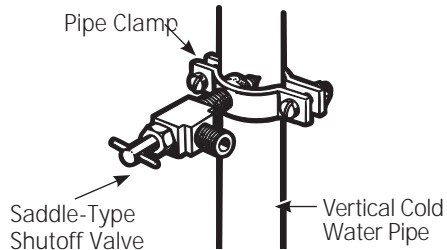
Failure to drill a 1/4" hole may result in reduced ice production or smaller cubes.



# Installation Instructions

## 4 FASTEN THE SHUTOFF VALVE

Fasten the shutoff valve to the cold water pipe with the pipe clamp.

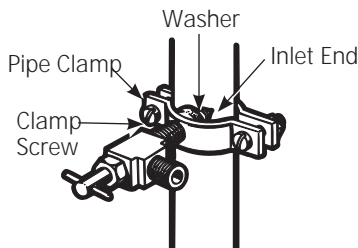


**NOTE:** Commonwealth of Massachusetts Plumbing Codes 248CMR shall be adhered to. Saddle valves are illegal and use is not permitted in Massachusetts. Consult with your licensed plumber.

## 5 TIGHTEN THE PIPE CLAMP

Tighten the clamp screws until the sealing washer begins to swell.

**NOTE:** Do not over tighten or you may crush the tubing.



## 6 ROUTE THE TUBING

Route the tubing between the cold water line and the refrigerator.

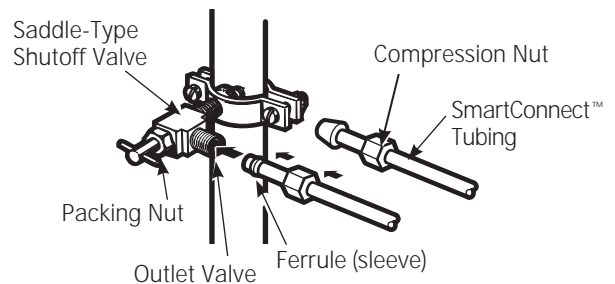
Route the tubing through a hole drilled in the wall or floor (behind the refrigerator or adjacent base cabinet) as close to the wall as possible.

## 7 CONNECT THE TUBING TO THE VALVE

Place the compression nut and ferrule (sleeve) for copper tubing onto the end of the tubing and connect it to the shutoff valve.

Make sure the tubing is fully inserted into the valve. Tighten the compression nut securely.

For plastic tubing from a GE SmartConnect™ Refrigerator Tubing kit, insert the molded end of the tubing into the shutoff valve and tighten compression nut until it is hand tight, then tighten one additional turn with a wrench. Over tightening may cause leaks.



**NOTE:** Commonwealth of Massachusetts Plumbing Codes 248CMR shall be adhered to. Saddle valves are illegal and use is not permitted in Massachusetts. Consult with your licensed plumber.

## 8 FLUSH OUT THE TUBING

Turn the main water supply on and flush out the tubing until the water is clear.

Shut the water off at the water valve after about one quart (1 liter), or 2 minutes, of water has been flushed through the tubing.



To complete the installation of the refrigerator, go back to Step 11 in Installing the Refrigerator.

## Normal operating conditions.

---



Newer refrigerators sound different from older refrigerators.  
Modern refrigerators have more features and use newer technology.

**Do you hear what I hear? These conditions are normal.**

**HUMMM...  
WHOOSH...**

- The new high efficiency compressor may run faster and longer than your old refrigerator and you may hear a high-pitched hum or pulsating sound while it is operating.
- You may hear a whooshing sound when the doors close. This is due to pressure equalizing within the refrigerator.



- You may hear the fans spinning at high speeds. This happens when the refrigerator is first plugged in, when the doors are opened frequently or when a large amount of food is added to the refrigerator or freezer compartments. The fans are helping to maintain the correct temperatures.
- The fans change speeds in order to provide optimal cooling and energy savings.

**CLICKS, POPS,  
CRACKS and SNAPS**

- You may hear cracking or popping sounds when the refrigerator is first plugged in. This happens as the refrigerator cools to the correct temperature.
- Expansion and contraction of cooling coils during and after defrost can cause a cracking or popping sound.
- On models with an ice maker, after an ice making cycle, you may hear the ice cubes dropping into the ice bucket.
- On models with a dispenser, during water dispense, you may hear the water lines move at initial dispense and after dispenser button is released.

**WATER SOUNDS**



- The flow of refrigerant through the cooling coils may make a gurgling noise like boiling water.
- Water dropping on the defrost heater can cause a sizzling, popping or buzzing sound during the defrost cycle.
- A water dripping noise may occur during the defrost cycle as ice melts from the evaporator and flows into the drain pan.
- Closing the door may cause a gurgling sound due to pressure equalization.



## Before you call for service...



*Troubleshooting Tips*  
*Save time and money! Review the charts on the following pages first and you may not need to call for service.*

Problem	Possible Causes	What to Do
Water filter indicator light remains lit after replacing filter (on some models)	Water filter indicator must be reset	Press WATER FILTER pad for 3 seconds to reset the water filter.
Water filter indicator light is not lit (on some models)	This is normal. This indicator will turn on to tell you that you need to replace the filter soon.	See <i>About the Water Filter</i> for more information.
Handle is loose/handle has a gap.	Handle needs adjusting	See <i>Attach Fresh Food Handle</i> and <i>Attach Freezer Handle</i> sections for detailed instructions.
Refrigerator beeping	This is door alarm	Turn off or disable with door closed. If door open and alarm is sounding, you can only snooze the alarm.
Not cooling	The cooling system is off	See <i>About Controls</i> .
Water has poor taste/odor (on some models)	Water dispenser has not been used for a long time	Dispense water, until all water in system is replenished.
Water in glass is warm (on some models)	Normal when refrigerator is first installed	Wait 24 hours for the refrigerator to completely cool down.
	Water dispenser has not been used for a long time	Dispense water, until all water in system is replenished.
	Water system has drained	Allow several hours for replenished supply to chill.
Water dispenser does not work (on some models)	Water supply line turned off or not connected	See <i>Installing the Water Line</i> .
	Water filter clogged or filter/bypass plug not installed	Replace filter cartridge or remove filter and install bypass plug.*
	Air may be trapped in the water system	Press the dispenser arm for at least 5 minutes.
	Water in reservoir is frozen because the controls are set too cold	Set the refrigerator control to a warmer setting and wait 24 hours. If the water does not dispense after 24 hours, call for service.
Water spurting from dispenser (on some models)	Newly installed filter cartridge	Run cold water from the dispenser for 5 minutes (about 2 gallons)..

\*Some models do not come equipped with the filter bypass plug. To obtain a free bypass plug, call 800-GECARES. In Canada call 800.561.3344.

## Before you call for service...



### Troubleshooting Tips (cont)

Problem	Possible Causes	What to Do
No water or ice cube production (on some models)	Supply line or shutoff valve is clogged	Call a plumber
	Water filter is clogged	Replace filter cartridge or remove filter and install bypass plug*.
	Filter cartridge not properly installed	Remove and reinstall filter cartridge, being certain that it locks in place.
	Ice maker is turned off	Check that the ice maker is turned on. See <i>About the Automatic Ice Maker</i> .
Water is leaking from dispenser (on some models)	Air may be present in the water line system, causing water to drip after being dispensed	Dispense water for at least 5 minutes to remove air from system.
Freezer cooling, fresh food not cooling	Normal, when refrigerator first plugged in or after extended power outage	Wait 24 hours for temperature in both compartments to reach selected temperatures.
Ice dispenser opens after closing freezer drawer (on some models)	Normal	The ice dispenser door may open after closing freezer door to allow access.

\*Some models do not come equipped with the filter bypass plug. To obtain a free bypass plug, call 800-GECARES. In Canada call 800.561.3344.

## SERVICE

Before you call for service, review the detailed troubleshooting tips in the Owner's manual. If needed, service can be scheduled by visiting us online [GEAppliances.com](http://GEAppliances.com) or calling 800.ge.CARES 800.432.2737

## Truth or Myth

Truth or Myth?	Answer	Explanation
The refrigerator water filter may require replacement, even though the filter indicator has not turned red, or reads "Filter Expired."	TRUE	The water filter indicator will indicate the need to replace the water filter every six months. Water quality varies from city to city; if water flow from the dispenser slows, or ice production decreases, the water filter should be replaced, even though the filter indicator may not indicate the need for replacement.
The automatic ice maker in my refrigerator will produce ice when the refrigerator is plugged in to a power receptacle.	MYTH	The refrigerator must be connected to water, and the ice maker must be turned on. Make sure the ice maker is turned on, only after the water line is connected and water is turned on. The ice maker can be turned <b>on/off</b> from the controls and ensure the ice maker is on, as indicated on the refrigerator control panel. See <i>About the Automatic Ice Maker</i> .
After the refrigerator has been plugged in and connected to water, I will immediately have unlimited chilled water available from the water dispenser.	MYTH	The water dispenser tank located inside the refrigerator stores water for dispensing. The water in this tank requires 24 hours to chill after installation. High usage conditions will not allow time for the water to chill.
After water dispenses, a few drops of water are normal.	TRUE	A few drops of water may fall from the dispenser, after the dispenser paddle has been released. To minimize the drops, remove the glass slowly from the dispenser.
I will never see frost inside the freezer compartment.	MYTH	Frost inside the freezer typically indicates that the door is not properly sealed, or has been left open. If frost is found, clear the frost using a plastic spatula and towel, then check to ensure that no food packages or containers are preventing the freezer door from closing. Check the refrigerator control panel to ensure the door alarm is on.
When the refrigerator is installed, or after replacing the water filter, I must dispense water for five minutes.	TRUE	A newly installed refrigerator or water filter contains air in the water lines. Press the dispenser paddle and dispense cold water for at least 5 minutes to remove air from the water line, and flush the filter.
To fill the ice bucket to the maximum capacity, I should dispense 12 and 18 hours after installation.	TRUE	Dispensing 3-4 cubes 12 hours and 18 hours after installation, allows ice to disperse within the ice bucket, which in turns calls on the ice maker to produce additional ice. Normal ice production = 100 cubes in 24 hours.
I can use the water filter bypass plug to determine if the filter requires replacement.	TRUE	Decrease in flow from the water dispenser, or decreased ice production, may indicate the need to replace the water filter. Install the water filter bypass plug (provided with the refrigerator on some models*), and check flow from the dispenser. If water flow returns to normal with the bypass plug in place, replace the water filter.
The top of the refrigerator doors will always be aligned.	MYTH	Several things can affect the fresh food door alignment, including the floor the refrigerator is installed on and loading of doors. If the top of the fresh food doors are not aligned, use a 1/4" allen wrench to adjust the right/left hand door. The adjustment screw is located on the bottom right or left hand side of the door; open the freezer door to access the screw. On some models, the left hand fresh food door may be raised using spacers. Call 800-GEARES to obtain the spacers.
Refrigerator door handles can be easily tightened.	TRUE	If door handles are loose or have a gap, the handle can be adjusted using a 1/8" allen wrench, on set screws located on the ends of the handles.
There may be odor and taste problems with your ice.	TRUE	After starting the ice maker throw away 24 hours of ice production to avoid odor and taste problems.
I can make fine adjustments to the fresh food doors to align them.	TRUE	If the fresh food doors are not aligned, use a 1/4" Allen wrench to adjust the right hand door. The adjustment screw is located on the bottom of the right door. Open the freezer door to access. The left hand fresh food door may be raised using spacers. Call 800-GEARES to obtain the spacers.
Door handles should always be removed for installation.	MYTH	Check chart on reverse side of this instruction. If the doors must be removed do not remove the handles, or if the refrigerator will fit easily through the passage way opening. Adjust handles that are loose or have a gap, by adjusting 1/8" set screws on either end of handles.

## SERVICE

Before you call for service, review the detailed troubleshooting tips in the Owner's manual. If needed, service can be scheduled by visiting us online *GEAppliances.com* or calling 800.ge.CARES 800.432.2737

## Truth or Myth (cont.)

Truth or Myth?	Answer	Explanation
Door removal is always required for installation.	MYTH	Check chart on reverse side of this instruction. Doors should only be removed when necessary to prevent damage from passage way or access to final location.
Refrigerator doors that won't close after installation, can be adjusted to close properly.	TRUE	Door mechanism works best if installed at 90°. If installed at 180°, remove the door from the mid hinge, and swing the door 180° before reinstalling. See <i>Reinstalling the Refrigerator Doors</i> .
There is an adjustment to rear wheels.	MYTH	Front leveling legs are adjustable and should be used to balance the refrigerator. Leveling legs are used to make initial fresh food door adjustment.
Check for leaks after all water connections are made.	TRUE	While purging the air from the water system, check all water line connections for leaks. Check the connection to the household water supply at back of refrigerator, and door water line connect.
Any packaging residue can be cleaned off the refrigerator using any cleaner.	MYTH	Do not use wax, polish, bleach, or other products containing chlorine on Stainless Steel panels, door handles and trim. Check this instruction under "Cleaning the Outside" for full details.

\*Some models do not come equipped with the filter bypass plug. To obtain a free bypass plug, call 800-GE CARES. In Canada call 800.561.3344.

# Refrigerator Warranty. *(For customers in the United States)*



All warranty service provided by our Factory Service Centers, or an authorized Customer Care® technician. To schedule service, visit us online at [GEAppliances.com](http://GEAppliances.com), or call 800.GE.CARES (800.432.2737). Please have serial number and model number available when calling for service.

Staple your receipt here. Proof of the original purchase date is needed to obtain service under the warranty.

**Servicing your refrigerator may require the use of the onboard data port for diagnostics. This gives a GE Appliances Factory Service technician the ability to quickly diagnose any issues with your appliance and helps GE Appliances improve its products by providing GE Appliances with information on your appliance. If you do not want your appliance data to be sent to GE Appliances, please advise your technician NOT to submit the data to GE Appliances at the time of service.**

For the Period of:	GE Appliances Will Replace
<b>One Year</b> From the date of the original purchase	<b>Any part</b> of the refrigerator which fails due to a defect in materials or workmanship. During the <b>limited one-year warranty</b> , GE Appliances will also provide, <b>free of charge</b> , all labor and related service to replace the defective part.
<b>Thirty Days</b> (Water filter, if included) From the original purchase date of the refrigerator	<b>Any part</b> of the water filter cartridge which fails due to a defect in materials or workmanship. During this <b>limited thirty-day warranty</b> , GE Appliances will also provide, <b>free of charge</b> , a replacement water filter cartridge.
<b>GE PROFILE™ AND GE CAFÉ™ MODELS</b>	
<b>Five Years</b> From the date of the purchase	<b>Any part of the sealed refrigerating system</b> (the compressor, condenser, evaporator and all connecting tubing) which fails due to a defect in materials or workmanship. During this <b>limited five-year sealed refrigerating system warranty</b> , GE Appliances will also provide, <b>free of charge</b> , all labor and related service to replace the defective part in the sealed refrigerating system.

## What GE Appliances Will Not Cover:

- Service trips to your home to teach you how to use the product.
- Improper installation, delivery or maintenance.
- Failure of the product if it is abused, misused, or used for other than the intended purpose or used commercially.
- Loss of food due to spoilage.
- Replacement of house fuses or resetting of circuit breakers.
- Damage caused after delivery.
- Replacement of the water filter cartridge, if included, due to water pressure that is outside the specified operating range or due to excessive sediment in the water supply.
- Replacement of the light bulbs, if included, or water filter cartridge, if included, other than as noted above.
- Damage to the product caused by accident, fire, floods or acts of God.
- Incidental or consequential damage caused by possible defects with this appliance.
- Product not accessible to provide required service.
- Damage caused by a non-GE Appliances Brand water filter.

**EXCLUSION OF IMPLIED WARRANTIES—Your sole and exclusive remedy is product repair as provided in this Limited Warranty. Any implied warranties, including the implied warranties of merchantability or fitness for a particular purpose, are limited to one year or the shortest period allowed by law.**

This warranty is extended to the original purchaser and any succeeding owner for products purchased for home use within the USA. If the product is located in an area where service by a GE Appliances Authorized Servicer is not available, you may be responsible for a trip charge or you may be required to bring the product to an Authorized GE Appliances Service location for service. In Alaska, the warranty excludes the cost of shipping or service calls to your home.

Some states do not allow the exclusion or limitation of incidental or consequential damages. This warranty gives you specific legal rights, and you may also have other rights which vary from state to state. To know what your legal rights are, consult your local or state consumer affairs office or your state's Attorney General.

**Warrantor: General Electric Company, Louisville, KY 40225**

# Performance Data Sheet

## SmartWater™ Filtration System—GE Appliances MWF Cartridge

The concentration of the indicated substances in water entering the system was reduced to a concentration less than or equal to the permissible limit for water leaving the system as specified in NSF/ANSI Standard 42 and Standard 53. System tested and certified by NSF International against NSF/ANSI Standard 42 and Standard 53 for the reduction of substances listed below.

### Capacity 300 Gallons (1,135 Liters). Contaminant Reduction Determined by NSF testing.

Substance Tested for Reduction	Average Influent	NSF specified Challenge Concentration	Avg % Reduction	Average Product Water Concentration	Max Permissible Product Water Concentration	NSF Reduction Requirements	NSF Test Report
Chlorine Taste and Odor	2.0 mg/L	2.0 mg/L ± 10%	97.5%	0.05 mg/L	N/A	≥ 50%	J-00077703
Nominal Particulate Class I, ≥0.5 to < 1.0 µm	7,833,333 pts/mL	At least 10,000 particles/mL	99.7%	18,617 pts/mL	N/A	≥85%	J-00077704
Cyst*	101,000 cysts/L	Minimum 50,000 cysts/L	99.99%	1 cyst/L	N/A	≥99.95%	J-00100036
Asbestos	47 MF/L	107 to 108 fibers/L; fibers greater than 10 µm in length	>99%	<1 MF/L	N/A	≥99%	J-00077707
Atrazine	0.009 mg/L	0.009 mg/L ± 10%	94.5%	0.0005 mg/L	0.003 mg/L	N/A	J-00077708
Benzene	0.016 mg/L	0.015 mg/L ± 10%±	96.7%	0.0005 mg/L	0.005 mg/L	N/A	J-00077717
Carbofuran	0.08 mg/L	0.08 mg/L ± 10%	98.7%	0.001 mg/L	0.04 mg/L	N/A	J-00077718
Endrin	0.007 mg/L	0.006 mg/L ± 10%	97.1%	0.0002 mg/L	0.002 mg/L	N/A	J-00100039
Lead @ pH 6.5	0.152 mg/L	0.15 mg/L ± 10%	99.3%	0.001 mg/L	0.010 mg/L	N/A	J-00077722
Lead @ pH 8.5	0.148 mg/L	0.15 mg/L ± 10%	99.3%	0.001 mg/L	0.010 mg/L	N/A	J-00077723
Lindane	0.002 mg/L	0.002 mg/L ± 10%	99.0%	0.00002 mg/L	0.0002 mg/L	N/A	J-00077726
Mercury @ pH 6.5	0.0058 mg/L	0.006 mg/L ± 10%	93.2%	0.0004 mg/L	0.002 mg/L	N/A	J-00100037
Mercury @ pH 8.5	0.0061 mg/L	0.006 mg/L ± 10%	93.2%	0.0004 mg/L	0.002 mg/L	N/A	J-00092355
P-Dichlorobenzene	0.222 mg/L	0.225 mg/L ± 10%	99.8%	0.005 mg/L	0.075 mg/L	N/A	J-00077729
Tetrachloroethylene	0.015 mg/L	0.015 mg/L ± 10%	96.7%	0.0005 mg/L	0.005 mg/L	N/A	J-00082184
Toxaphene	0.015 mg/L	0.015 mg/L ± 10%	93.2%	0.001 mg/L	0.003 mg/L	N/A	J-00077730
2,4-D	0.218 mg/L	0.210 mg/L ± 10%	99.5%	0.0009 mg/L	0.07 mg/L	N/A	J-00085470

\*Based on the use of Cryptosporidium parvum oocysts.

The following pharmaceutical reduction claims have not been certified by NSF International or the state of California. Claims tested and verified by independent laboratory:

Contaminant Reduction	Average Influent	NSF specified Challenge Concentration	Avg % Reduction	Average Product Water Concentration	Max Permissible Product Water Concentration	NSF Reduction Requirements	NSF Test Report
Atenolol	978 ng/L	N/A	99.5%	5.0 ng/L	N/A	N/A	J-00121587
Fluoxetine	907 ng/l	N/A	99.4%	5.4 ng/L	N/A	N/A	J-00121587
Ibuprofen	885 ng/L	N/A	94.1%	52.3 ng/L	N/A	N/A	J-00121588
Progesterone	1097 ng/L	N/A	99.5%	5.0 ng/L	N/A	N/A	J-00121589
Trimethoprim	415 ng/L	N/A	99.5%	2.0 ng/L	N/A	N/A	J-00121587

### Application Guidelines/Water Supply Parameters

Service Flow	0.5 gpm (21.9 lpm)	Water Pressure	40-120 psi (2.8-8.2 bar)
Water Supply	Potable Water	Water Temperature	33°F-100°F (0.6°C-38°C)

It is essential that the manufacturer's recommended installation, maintenance and filter replacement requirements be carried out for the product to perform as advertised. See Installation Manual for Warranty information.

**Note:** While the testing was performed under standard laboratory conditions, actual performance may vary.  
Replacement Cartridge: MWF. For estimated costs of replacement elements please call 1-800-626-2002 or visit our website at [www.geapplianceparts.com](http://www.geapplianceparts.com).

### WARNING

To reduce the risk associated with ingestion of contaminants:

- Do not use with water that is microbiologically unsafe or of unknown quality without adequate disinfection before and after the system. Systems certified for cyst reduction may be used on disinfected water that may contain filterable cysts. EPA Establishment Number 10350-MN-005.

For conditions of use, health claims certified by the California Department of Public Health, and replacements, see performance data sheet. California Department of Public Health Certification #05-1698. The contaminants or other substances removed or reduced by this water filter are not necessarily in all users' water.

### NOTICE

To reduce the risk associated with property damage due to water leakage:

- Read and follow use instructions before installation and use of this system.
- Installation and use **MUST** comply with all state and local plumbing codes.
- Do not install if water pressure exceeds 120 psi (8.2 bar). If your water pressure exceeds 80 psi, you **must** install a pressure-limiting valve. Contact a plumbing professional if you are uncertain how to check your water pressure.
- Do not install where water hammer conditions may occur. If water hammer conditions exist you **must** install a water hammer arrester. Contact a plumbing professional if you are uncertain how to check for this condition.
- Do not install on hot water supply lines. The maximum operating water temperature of this filter system is 100° F (38° C).
- Protect filter from freezing. Drain filter when temperatures drop below 33°F (0.6°C).
- The disposable filter cartridge **must** be replaced every **6** months at the rated capacity, or sooner if a noticeable reduction in flow rate occurs.



Tested and certified by NSF International against NSF/ANSI Standard 42 and Standard 53 in model GE Appliances MWF for the reduction of the claims specified on the performance data sheet.







## Consumer Support.

---



### GE Appliances Website

In the U.S.: *GEAppliances.com*

Have a question or need assistance with your appliance? Try the GE Appliances website, 24 hours a day, any day of the year! For greater convenience and faster service, you can now download Owner's Manuals, order parts or even schedule service on-line. In Canada: [www.GEAppliances.ca](http://www.GEAppliances.ca)



### Schedule Service

In the U.S.: *GEAppliances.com*

Expert GE Appliances repair service is only one step away from your door. Get on-line and schedule your service at your convenience any day of the year! Or call 800.GE.CARES (800.432.2737) during normal business hours.

In Canada, call 1.800.561.3344



### Real Life Design Studio

In the U.S.: *GEAppliances.com*

GE Appliances supports the Universal Design concept—products, services and environments that can be used by people of all ages, sizes and capabilities. We recognize the need to design for a wide range of physical and mental abilities and impairments. For details of GE's Universal Design applications, including kitchen design ideas for people with disabilities, check out our Website today. For the hearing impaired, please call 800.TDD.GEAC (800.833.4322).

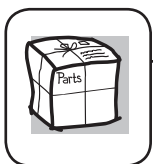
In Canada, contact: Manager, Consumer Relations, Mabe Canada Inc.  
Suite 310, 1 Factory Lane  
Moncton, N.B. E1C 9M3



### Extended Warranties

In the U.S.: *GEAppliances.com*

Purchase a GE extended warranty and learn about special discounts that are available while your warranty is still in effect. You can purchase it on-line anytime, or call 800.626.2224 during normal business hours. GE Appliances Consumer Home Services will still be there after your warranty expires. In Canada, call 1.888.261.2133



### Parts and Accessories

In the U.S.: *GEApplianceParts.com*

Individuals qualified to service their own appliances can have parts or accessories sent directly to their homes (VISA, MasterCard and Discover cards are accepted). Order on-line today, 24 hours every day or by phone at 800.626.2002 during normal business hours. (In Canada, call 1.800.661.1616.)

Instructions contained in this manual cover procedures to be performed by any user. Other servicing generally should be referred to qualified service personnel. Caution must be exercised, since improper servicing may cause unsafe operation.



### Contact Us

In the U.S.: *GEAppliances.com*

If you are not satisfied with the service you receive from GE, contact us on our Website with all the details including your phone number, or write to:

General Manager, Customer Relations  
GE Appliances, Appliance Park  
Louisville, KY 40225

In Canada: [www.GEAppliances.ca](http://www.GEAppliances.ca), or call 1.800.661.1616 or write to: Director, Consumer Relations, MC Commercial  
Suite 310, 1 Factory Lane  
Moncton, N.B. E1C 9M3



### Register Your Appliance

In the U.S.: *GEAppliances.com*

Register your new appliance on-line—at your convenience! Timely product registration will allow for enhanced communication and prompt service under the terms of your warranty, should the need arise. You may also mail in the pre-printed registration card included in the packing material. In Canada: [www.GEAppliances.ca](http://www.GEAppliances.ca)