



DISHWASHERS

SAFETY INFORMATION..... 2

USING THE DISHWASHER

Getting Started..... 6

Dispensers..... 9

Loading.....12

CARE AND CLEANING.....14

TROUBLESHOOTING TIPS.....16

WARRANTY.....19

CONSUMER SUPPORT..... 20

OWNER'S MANUAL

GBF655 Series

PBF665 Series

Includes GE Profile™ Series products

ENGLISH/FRANÇAIS

Write the model and serial numbers here:

Model # _____

Serial # _____

You can find them on a label on the tub wall just inside the door.

THANK YOU FOR MAKING GE APPLIANCES A PART OF YOUR HOME.

Whether you grew up with GE Appliances, or this is your first, we're happy to have you in the family.

We take pride in the craftsmanship, innovation and design that goes into every GE Appliances product, and we think you will too. Among other things, registration of your appliance ensures that we can deliver important product information and warranty details when you need them.

Register your GE appliance now online. Helpful websites and phone numbers are available in the Consumer Support section of this Owner's Manual. You may also mail in the pre-printed registration card included in the packing material.



GE APPLIANCES

Notes

WELCOME

IMPORTANT SAFETY INFORMATION

READ ALL INSTRUCTIONS BEFORE USING THE APPLIANCE

⚠ WARNING For your safety, the information in this manual must be followed to minimize the risk of fire, explosion, electric shock, and to prevent property damage, personal injury, or death.

⚠ WARNING PROPER INSTALLATION AND MAINTENANCE

This dishwasher must be properly installed and located in accordance with the Installation Instructions before it is used. If you did not receive an Installation Instructions sheet with your dishwasher, you can receive one by visiting our Website at GEAppliances.ca.

- Connect the dishwasher/appliance to a grounded metal, permanent wiring system; or run an equipment-grounding conductor with the circuit conductors and connect to the equipment-grounding terminal or lead of the appliance.
 - Improper connection of the equipment-grounding conductor can result in a risk of electric shock. Check with a qualified electrician or service representative if you are in doubt whether the appliance is properly grounded.
 - Dispose of discarded appliances and shipping or packing material properly.
 - Do not attempt to repair or replace any part of your dishwasher unless it is specifically recommended in this manual. All other servicing should be referred to a qualified technician.
 - Use only cord kit WG04F04614 or hard-wire to building electrical. Failure to follow this instruction, could result in risk of fire and personal injury.
 - To minimize the possibility of electric shock, disconnect this appliance from the power supply before attempting any maintenance.
- NOTE:** Turning the dishwasher off does not disconnect the appliance from the power supply. We recommend having a qualified technician service your appliance.

⚠ WARNING WHEN USING YOUR DISHWASHER, FOLLOW BASIC PRECAUTIONS, INCLUDING THE FOLLOWING:

- Use this appliance only for its intended purpose as described in this Owner's Manual.
- Use only detergents or wetting agents recommended for use in a dishwasher and keep them out of reach of children. Using a detergent that is not specifically designed for dishwashers will cause the dishwasher to fill with suds.
- Locate sharp items so that they are not likely to damage the door seal.
- Load sharp knives with the handles up to reduce the risk of cut-type injuries.
- Do not wash plastic items unless marked dishwasher safe or the equivalent. For plastic items not so marked, check the manufacturer's recommendations.
- Do not touch the heating element during or immediately after use.
- Do not operate your dishwasher unless all enclosure panels are properly in place.
- Do not tamper with controls.
- Do not abuse, sit on or stand on the door or dish rack of the dishwasher.
- To reduce the risk of injury, do not allow children to play with, on or inside this appliance at any time.
- Do not store or use combustible materials including gasoline or other flammable liquids or vapors in the vicinity of this or any other appliance.
- Small parts, such as rack clips and filter retaining posts, can be a choke hazard to small children if removed from the dishwasher. Keep out of reach of small children.

READ AND SAVE THESE INSTRUCTIONS

IMPORTANT SAFETY INFORMATION

READ ALL INSTRUCTIONS BEFORE USING THE APPLIANCE

⚠ WARNING WATER HEATER SAFETY

Under certain conditions, hydrogen gas may be produced in a water heater that has not been used for two or more weeks. HYDROGEN GAS IS EXPLOSIVE.

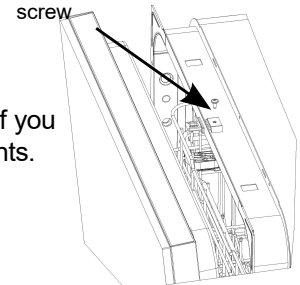
If the hot water has not been used for two or more weeks, prevent the possibility of damage or injury by turning on all hot water faucets and allowing them to run for several minutes. Do this before using any electrical appliance connected to the hot water system. This simple procedure will allow any built-up hydrogen gas to escape. Since the gas is flammable, do not smoke, use an open flame, or use the appliance during this process.

⚠ WARNING RISK OF CHILD ENTRAPMENT

PROPER DISPOSAL OF THE DISHWASHER

Junked or abandoned dishwashers are dangerous...even if they will sit for "just a few days." If you are getting rid of your dishwasher, please follow the instructions below to help prevent accidents.

- Do not allow children to play with, on, or inside this or any discarded appliance.
- Take off the door of the washing compartment or remove the latch by removing the screw from the latch receiver located on the top of the tub (as shown).



⚠ CAUTION TO PREVENT MINOR INJURY AND PROPERTY DAMAGE

- During or after wash cycle, contents may be hot to the touch. Use care before handling.
- Close supervision is necessary if this appliance is used by or near children. Do not allow children to play around the dishwasher when closing the door, closing the upper rack, or while vertically adjusting the upper rack due to the possibility of small fingers being pinched.
- Non-Dishware Items: Do not wash items such as electronic air cleaner filters, furnace filters and paint brushes in your dishwasher. Damage to the dishwasher and discoloration or staining of the dishwasher may result.
- Load light-weight, plastic items so they do not become dislodged and drop to the bottom of the dishwasher—they might come into contact with the heating element and be damaged.

⚠ CAUTION ELECTRICAL REQUIREMENTS

- This appliance must be supplied with 120V, 60 Hz, and connected to an individual, properly grounded branch circuit, protected by a 15 or 20 amp circuit breaker or time-delay fuse.
- If the electric supply provided does not meet the above specifications, it is recommended that a licensed electrician install an approved outlet.
- Your dishwasher circuit should not be used for any other appliance while the dishwasher is in operation as the dishwasher requires the full capacity of the circuit.

⚠ NOTICE

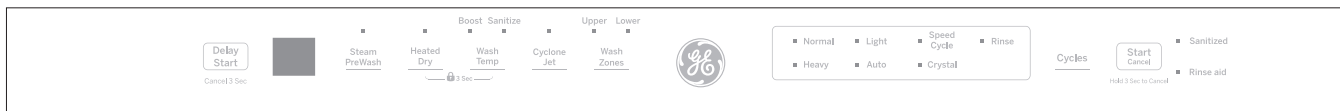
- If your dishwasher is connected to a wall switch, ensure that the switch is on prior to use.
- If you choose to turn the wall switch off between wash cycles, allow 5-10 seconds after turning the switch on before touching Start to allow the control to initialize.
- Use only powder, **Finish® Quantum® Automatic Dishwashing Detergent**, liquid detergents or rinse agents recommended for use in a dishwasher and keep them out of the reach of children. **Finish® Quantum® Automatic Dishwashing Detergent**, and **Finish® Jet-Dry® Rinse Aid** rinse agents have been approved for use in all GE Appliances dishwashers.

READ AND SAVE THESE INSTRUCTIONS

Getting started

Features and appearance will vary throughout this manual.

GBF655



PBF665



1 Load Dishwasher

For best dishwashing results, follow the loading guidelines found in the Loading section. No pre-rinsing of normal food soil is required. Scrape off hard soils, including bones, toothpicks, skins, and seeds. Remove leafy vegetables, meat trimmings, and excessive amounts of grease or oil.

2 Add Detergent

Add needed amount of detergent to the detergent dispenser. Use detergent such as **Finish® Quantum® Automatic Dishwashing Detergent**. See **Dispensers** section.

3 Add Rinse Agent

Add rinse agent such as **Finish® Jet-Dry® Rinse Aid** to the rinse agent dispenser. See **Dispensers** section.

4 Start Cancel

Press the Cycles button for the desired wash cycle. The light next to the button will be lit to indicate which wash cycle has been selected. Pressing the Cycles button will show various cycles in the display window. Press the button until the desired cycle is shown.

NOTE: Actual cycle times vary based on soil level, water temperature, and options selected. The cycle may be selected with the door in the closed position. The cycle will not start until the **Start Cancel** button is pushed and the door is closed.

You can cancel a cycle anytime during the cycle. Press the **Start Cancel** button three seconds during the drain to cancel it. Furthermore, you can carefully open the door (water may splash out) then the machine will stop running, close the door then press the **Start Cancel** button and the dishwasher will start to drain.

Auto This cycle automatically senses the soil level and adjusts the wash cycle accordingly. *Time range: 1 hour 30 minutes - 2 hours 1 minutes.

Heavy This cycle is meant for heavily soiled dishes, cookware, pots, or pans with dried-on or baked-on soils. Everyday dishes are safe to be used in this cycle. *Time: 2 hours 14 minutes.

Normal This cycle is meant for daily, regular, or typical use to completely wash a full load of normally soiled dishes and is designed to conserve both water and energy. *Time range: 1 hour 36 minutes - 1 hours 56 minutes. **NOTE: Normal** was used to rate the energy efficiency of this dishwasher.

Getting started

Light	This cycle is for light to medium soiled dishes. It is safe for china and crystal with no options selected. *Time: 1 hour 46 minutes.
Rinse	For rinsing partial loads that will be washed later. Do not use detergent. Detergent is not dispensed during the rinse cycle. *Time: 20 minutes.
Speed Cycle	This cycle will quickly wash lightly soiled dishes. *Time: 30 minutes. A shorter wash for lightly soiled loads that do not need drying.
Crystal	This cycle will efficiently wash dishes using about 2-5 gallons of water. *Time: 2 hour 14 minutes.

5 Select Cycles

The light by the selected button will be lit to indicate which Option has been selected.

Normal Temp	This option is for normally soiled dishes, optimizes wash performance while conserving energy.
Wash Temp Boost	This option increases the temperature to help clean heavily soiled dishes and will increase the cycle time as by 20 to 50 minutes. This option will also improve dry performance on the Normal cycle.
Wash Temp Sani or Sanitize Temp	This option raises the water temperature in the final rinse to sanitize your dishware but may increase cycle time by 60 minutes. The cycle length will vary depending on the temperature of your inlet water. NOTE: This option is monitored for sanitization requirements. If the cycle is interrupted during or after the main wash portion or if the incoming water temperature is so low that adequate water heating cannot be achieved, the sanitizing conditions may not be met. In these cases, the Sanitized or Cycle Sanitized light may not illuminate at the end of the cycle. Utilizing this option will modify the cycle to meet the requirements of Section 6, NSF 184 for soil removal and sanitization efficacy. NOTE: NSF certified residential dishwashers are not intended for licensed food establishments.
Heated Dry	When the Heated Dry option is selected, the heater will work during the dry process. This option is available for the Normal, Heavy, Light, Auto and Crystal . Turns on the option for faster drying. This option may add up to 85 minutes to the cycle time. On models with Heated Dry, this option boosts the temperature of the dishwasher during the final rinse portion of the cycle.
Steam PreWash	For use with heavily soiled and/or dried-on, baked-on soils. This option MUST be selected PRIOR to starting the cycle. The Steam option adds up to 30 minutes to the cycle time. This option is available with Heavy, Auto, Light, Normal and Crystal cycles.
Wash Zones	Selecting either the Upper or Lower Wash Zones will target dishwashing of just one rack. This will shorten the cycle time and conserve energy. This option should be used when dishes are placed in only one rack.
Cyclone Jet	This option increases the power in the jets. Use this option when you want to wash heavily soiled pots and pans, durable serving bowls and other large hard to clean dishes.
Delay Start	Delays the start of a wash cycle up to 24 hours depending on model. Press Delay Start , to select the number of hours. The hours will show in the display window or the corresponding LED will light up. If you wish to cancel Delay Start , hold Delay Start for three seconds and the delay time will be cleared. If the delay have started, press Delay Start for three seconds, the program and function remain unchanged, the machine enter standby and if press Start Cancel for three seconds, the program and function remain unchanged, the machine enter washing operation state.

Getting started

Control Lock You can lock the controls to prevent selections from being made. You can also lock the controls after you have started a cycle to prevent cycle changes. For example, children cannot accidentally start the dishwasher by pressing buttons with this option selected.

To LOCK the dishwasher control, press the **Heated Dry** and **Wash Temp** buttons for 3 seconds and the lock indicator will appear on the display.

To UNLOCK the dishwasher control, press the **Heated Dry** and **Wash Temp** buttons for 3 seconds and the lock indicator will no longer appear on the display.

6 Start Dishwasher

Start Close the door and press the **Start** button to start the cycle or begin the **Delay Hours** countdown. The display will turn off if the machine keep standby state 15 minutes. To activate the display, press any button.

Interrupt or Pause To interrupt or pause a dish cycle, slowly open the door. To restart or resume the cycle, close the door then press **Start Cancel**

Cancel To cancel a wash cycle, press and hold the **Start Cancel** button for 3 seconds . The dishwasher will drain and display start to 60 seconds countdown. After draining ,emit a beep sound, and the machine enter the standby state.

7 Restart Dishwasher

When the display shows the error codes, press the **Delay Start** and **Cycles** buttons at the same time, the machine will be reset to power on state.

8 Cycle Indicator Lights and Sounds

Sanitized Indicator If the sanitize cycle was selected, sanitized indicator will be turn on at the end of the cycle, if the NSF requirements for sanitization are not reached. The light will not turn on. Certified residential dishwashers are not intended for licensed food establishments.

The sanitize cycle is NSF certified.

Dispensers

Check the Water Temperature

The entering water should be at least 120°F (49°C) and not more than 150°F (66°C) for effective cleaning and to prevent dish damage. Check the water temperature with a candy or meat thermometer.

Turn on the hot water faucet nearest the dishwasher, place the thermometer in a glass and let the water run continuously into the glass until the temperature stops rising.

Use a Rinse Agent

Rinse agents, such as Finish® Jet-Dry® Rinse Aid are designed for great drying action and to protect against spots and film build-up on your dishes, glasses, flatware, cookware, and plastic.

Filling the Rinse Agent Dispenser

The rinse agent dispenser holds 3.5 oz. (104 ml) of rinse agent. Under normal conditions, this will last approximately one month.

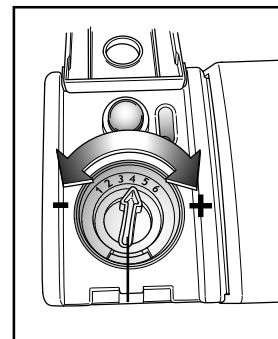
- 1 Make sure the dishwasher door is fully open.
- 2 Open the rinse agent dispenser door.
- 3 Slowly add rinse agent until the cup is full. You may need to pause several times to allow rinse aid to settle. **NOTE:** Indicator window does not light up.
- 4 Clean up any spilled rinse agent with a damp cloth to prevent foam from forming inside the dishwasher.
- 5 Close the rinse agent dispenser door.

Rinse Aid Setting

The amount of rinse agent released into the final wash can be adjusted. If water drops or hard water spots remain on dishes after the dry cycle, increase the setting.

To adjust the setting

Open the Rinse Agent dispenser door; then turn the adjuster clockwise to increase the amount of rinse agent, counterclockwise to reduce the amount of rinse agent.

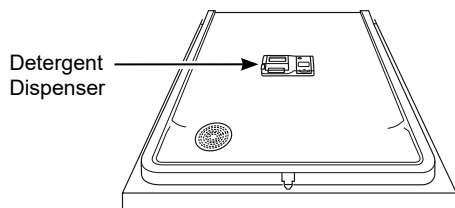


Dispensers

Detergent Dispenser

The detergent dispenser is located in the center of the dishwasher door. It has two compartments. The main wash compartment is found inside the detergent dispenser. To open, press the button on the side of the dispenser. The pre-wash compartment is on the lid of the detergent dispenser. Use the pre-wash compartment only when your water is extremely hard or when you have a heavy soiled load. The pre-wash compartment is not used when tablet or packet detergents are used.

NOTE: Do not load large items in the lower rack where they may block the wash jets from rinsing out the detergent dispenser.



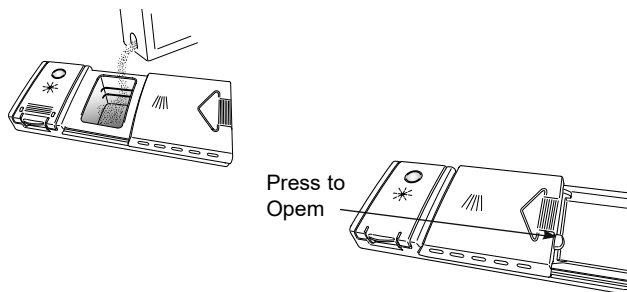
You may use tablet, packet, powder, liquid or gel automatic dishwasher detergent. Make sure you use only detergents specifically labeled for use in automatic dishwashers. Never use liquid hand dish detergent in an automatic dishwasher. Sudsing and poor wash performance will result with the use of improper detergents.

Detergents should be stored in a dry location and in their original container to prevent loss of effectiveness. Place detergent in the cup just prior to starting the dishwasher and then close the cover. The cover will open during the wash cycle.

Filling the Detergent Dispenser

GE Appliances recommends using detergent in tablet or packet form. Independent testing has shown this form of detergent is very effective in the dishwasher. **Finish® Quantum® Powerball®** is an example of this type of detergent. Simply put a tablet or packet into the main wash compartment and close the detergent cup cover. Please notice that the tablet or packet must be placed in the main wash compartment of the detergent cup. If the tablet or packet is placed in the prewash compartment or tossed in the bottom of the dishwasher, the detergent will be flushed down the drain in a very short period of time and will thus be wasted. Wash performance will be very poor as a result.

If you choose to use detergent in powder, liquid or gel form, the amount of detergent you use will be determined by the hardness of your water, the temperature of your water, and the food soil load inside the dishwasher. Contact your water company to get information about the hardness of the water in your area. Water hardness is measured in grains per gallon. Use this information and the table above to determine the amount of detergent to use. You may purchase a hard water test strip from GE Appliances. Call 800.661.1616 and ask for part number **WG04F04842**.

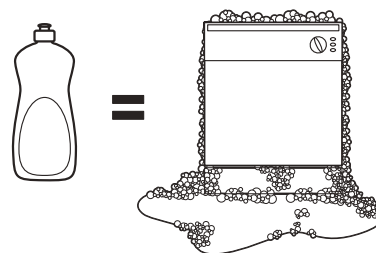


Use the table as a starting point and then adjust the amount of detergent you use. Use just enough to get good wash performance. Using just the right amount of detergent will provide great wash performance without wasting detergent or etching glassware.

Number of Grains/Gal.	Detergent Cup(s) to Fill
Less than 4	Fill cup to 1/3 full
4 to 8	Fill cup to 2/3 full
8 to 12	Fill cup completely full
Greater than 12	Fill both main wash cup and pre wash cup

Using too much detergent with very soft and/or very hot water may cause a condition called etching on your glassware. Etching is a permanent cloudiness in your glassware. This condition is irreversible. However, using too little detergent will cause poor wash performance.

DO NOT USE HAND DISH DETERGENT



NOTE: Using a detergent that is not specifically designed for dishwashers will cause the dishwasher to fill with suds. During operation, these suds will spill out of the dishwasher vents, covering the kitchen floor and making the floor wet.

Because so many detergent containers look alike, store the dishwasher detergent in a separate space from all other cleaners. Show anyone who may use the dishwasher the correct detergent and where it is stored.

While there will be no lasting damage to the dishwasher, your dishes will not get clean using a dishwashing detergent that is not formulated for automatic dishwashers.

Dispensers

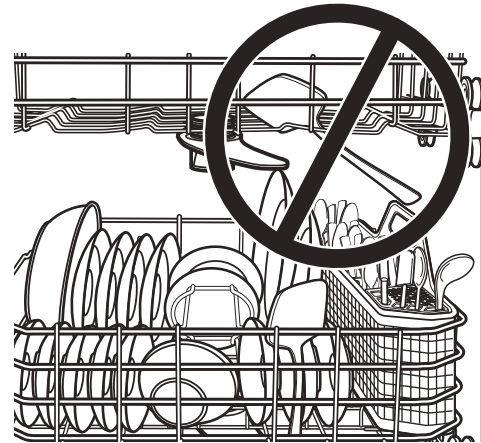
For best dishwashing results, follow these loading guidelines. Features and appearance of racks and silverware baskets may vary from your model.

Upper Rack

The upper rack is primarily for glasses, cups, and saucers. For best wash performance, tilt cup and glass openings toward the center of the rack. Other items such as pots, pans, and plates may be placed in the upper rack. This is also a secure place for dishwasher-safe plastic items. The upper rack can be used for odd sized utensils. Sauce pans, mixing bowls, and other similarly shaped items should be placed face down for best wash performance. Ensure small plastic items are secure so that they cannot fall on the heater at the bottom of the dishwasher, potentially damaging the item. Some models are equipped with a hidden heater, so dishwasher safe plastic items can be placed in the lower rack.

IMPORTANT: Ensure items in the upper rack do not interfere with the 3rd Rack (on some models) when loading and unloading.

IMPORTANT: Ensure that items do not protrude through the bottom of the rack or silverware basket where they will block the rotation of the middle spray arm. This could result in noise during operation and/or poor wash performance.



Upper Rack 8 Place Settings



Upper Rack 10 Place Settings



Upper Rack 12 Place Settings



Upper Rack 14 Place Settings

Loading

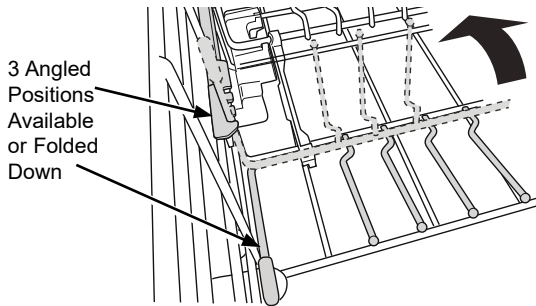
For best dishwashing results, follow these loading guidelines. Features and appearance of racks and silverware baskets may vary from your model.

Lower Rack

The lower rack is best used for plates, saucers and cookware items. Large items, such as broiler pans and baking racks should be placed along the sides of the rack. If necessary, oversized glasses and mugs can be placed in the lower rack to maximize loading flexibility. Plates, saucers and similar items should be placed between the tines in the direction that allows the item to remain secure in the rack.

NOTE: Do not load large items in the lower rack where they may block the wash jets from rinsing out the detergent dispenser.

The lower rack fold down tines (on some models) can be adjusted to different upright angles or placed flat to provide flexibility for hard-to-fit or extra-large items.



⚠ WARNING The clips can be a choke hazard for small children if removed from the dishwasher. Keep out of reach of children.

To change the direction of the fold down tines, lower the tines, then pull away from the bar clips that secure the tines to the rack and remove. Reverse the direction of the tines, orienting the handle on the opposite side of the rack. Reattach the tines to the bar clips by pushing the tines back until they click in place. The indexer will also need to be switched to the opposite side of the dishwasher. To remove the indexer, simply slide it in the direction labeled “unlock.” Then, align the indexer with the rack on the other side and slide in the direction that says “lock” in order to reattach the indexer to the rack.

IMPORTANT: It is important to ensure that items do not protrude through the bottom of the rack or the silverware basket where they will block the rotation of the lower spray arm. Also, ensure that large plates, pots, or tall items don't hit the mid spray arm. This could result in noise during operation and/or poor wash performance.



Bottom Rack 8 Place Settings



Bottom Rack 10 Place Settings



Bottom Rack 12 Place Settings

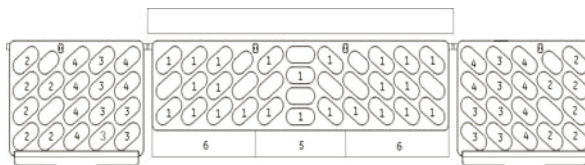


Bottom Rack 14 Place Settings

Silverware Basket

Place flatware in the removable silverware baskets. Sharp objects, such as forks and knives, may be placed with the handles facing up, in order to protect your hands. For the best wash performance, place other items such as spoons with the handles facing down. Avoid allowing items to nest together, which may keep them from being properly washed. When loading, distribute items evenly in the basket.

1. Spoons
2. Knives
3. Salad Forks
4. Forks
5. Large Forks
6. Large Spoons



The silverware baskets may also be used for small items, such as measuring spoons, baby bottle nipples, plastic lids, or corn cob holders. The silverware basket covers can be closed to contain small items.

IMPORTANT: Do not load large or tall utensils where they may block the detergent dispenser, mid spray arm, or become trapped between the door and the gasket when the door is closed.



⚠ WARNING DO NOT LEY ANY ITEM EXTEND THROUGH THE BOTTOM

Loading

For best dishwashing results, follow these loading guidelines. Features and appearance of racks and silverware baskets may vary from your model.

3rd Rack (on some models)

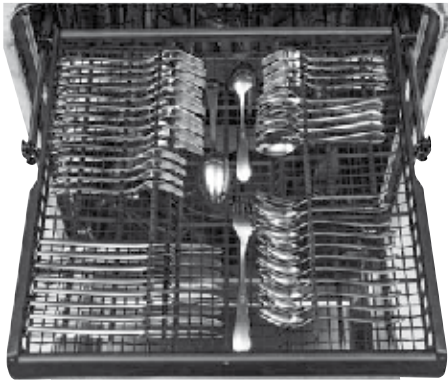
The 3rd rack is the recommended location for silverware and large utensils.

⚠ CAUTION Take care when loading, unloading, or transporting the silverware or utensil tray. The tray may contain sharp or heavy items. If items are dropped from the tray or the tray is dropped, injury could occur.

IMPORTANT NOTES:

- Do not allow cutlery of different materials to touch each other in the 3rd rack. Doing so may cause discoloration of the cutlery.
- The tray is only meant to be used with a GE Appliances 3rd rack dishwasher to hold silverware, cooking utensils, and other small items. Using the tray for any other purpose could result in damage to the tray or damage to anything interacting with the tray.
- Ensure that the 3rd rack is fully closed before shutting the dishwasher door. Shutting the door with the rack partially extended could cause damage to the dishwasher.

8 Place Settings



10 Place Settings



12 Place Settings



Adjusting the 3rd Rack (on some models)

The 3rd rack is the recommended location for silverware and large utensils.

Setting 1



Setting 2



Setting 3, adjust the rack to an upper position



Setting 4, both racks are overlapping



Setting 5, removal of a side. Note, the left side cannot be removed



Care and cleaning

Control Panel

To clean the control panel, use a lightly dampened cloth. Then dry thoroughly.

Exterior Door Panel

Before cleaning the front panel, make sure you know what type of panel you have. Refer to the last two letters of your model number. You can locate your model number on the left-hand tub wall just inside the door. If your model number ends with BB, CC, WW, SA, ES, DS or TS then you have a painted door panel. If your model number ends with SS, then you have a Stainless Steel door panel. If your model number ends with II, then you have an Integrated door panel.

Follow the instructions below for cleaning the door panel for your specific model.

Painted Door Panel (model numbers ending in BB-black, CC-bisque, WW-white, SA-silver, ES-slate, DS-black slate or TS-black stainless steel).

Use a clean, soft, lightly dampened cloth, then dry thoroughly.

Stainless Steel Door Panel (model numbers ending in SS)

For cleaning rust and tarnish, cleaners with oxalic acid such as Bar Keepers Friend Soft Cleanser™ will remove rust, tarnish and small blemishes. Use only a liquid cleanser free of grit and rub in the direction of the brush lines with a damp soft sponge. Do not use appliance wax or polish on the stainless steel.

For other blemishes and marks, use Stainless Steel Magic or a similar product using a clean soft cloth. Do not use appliance wax, polish, bleach or products containing chlorine on Stainless Steel. Visit your local home store for more details or call 800.661.1616.

Integrated Door Panel (model numbers ending in II)

This is a custom installed door panel, and you will need to refer to the cabinet manufacturers recommendations for proper cleaning.

Dishwasher Interior

To clean and de-odorize your dishwasher, use citric acid or **Finish® Dishwasher Cleaner**, a detergent additive.

Finish® Dishwasher Cleaner will break up mineral deposits, and remove hard water film and stains. You can order citric acid GE Appliances kit # **WG04A00103** through GE Appliances Parts by calling 800.661.1616 or you can visit your local home store.

Stainless Steel Inner Door and Tub

The stainless steel used to make the dishwasher tub and inner door provides the highest reliability available in a GE Appliances dishwasher.

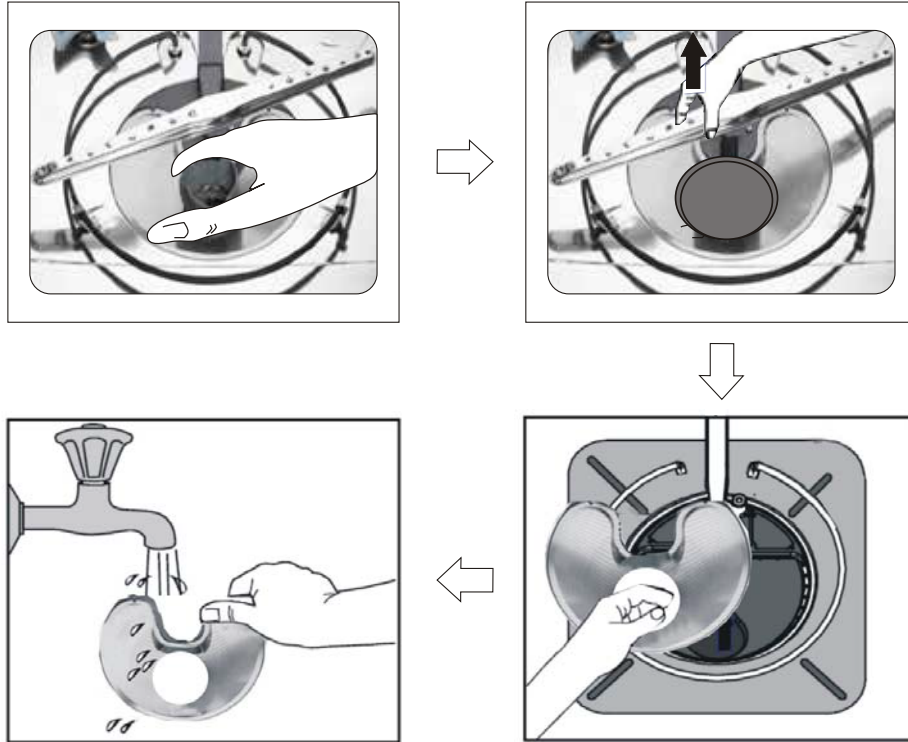
If the dishwasher tub or inner door should be scratched or dented during normal use, they will not rust or corrode. These surface blemishes will not affect their function or durability.

Care and cleaning

Cleaning the Filters

For best performance and results, the filter assembly must be cleaned **once a month**. The filter efficiently removes food particles from the wash water, allowing water to be recirculated during the cycle. For this reason, it is a good idea to remove the large food particles trapped in the filter frequently by rinsing the main filter and cup under running water.

To remove the filter assembly, follow the 3 steps shown below. To clean the main filter and fine filter, use a cleaning brush. The dishwasher must never be used without the filters. Improper replacement of the filter may reduce the performance level of the appliance and may damage dishes and utensils.



Protect Against Freezing

If your dishwasher is left in an unheated place during the winter, ask a service technician to:

- 1 Turn off electrical power to the dishwasher. Remove fuses or trip circuit breaker.
- 2 Turn off the water supply and disconnect the water inlet line from the water valve.
- 3 Drain water from the water inlet line and water valve. (Use a pan to catch the water.)
- 4 Reconnect the water inlet line to the water valve.

Does Your Dishwasher Have an Air Gap?

An air gap protects your dishwasher against water backing up into it if a drain clogs. The air gap is not a part of the dishwasher. It is not covered by your warranty. Not all plumbing codes require air gaps, so you may not have one.



The air gap is easy to clean.

- 1 Turn off the dishwasher and lift off the air gap cover.
- 2 Remove the plastic cap under the cover and clean with a toothpick.
- 3 Replace the cap and cover when the air gap is clean.

Troubleshooting tips ... Before you call for service

Problem	Possible Cause	What To Do
Start status indicator light flashing	The door was opened or the cycle was interrupted.	Press the Start button once and close the door within 4 seconds to start the dishwasher. Press the Start button a second time when the dishwasher is running only if you wish to cancel the cycle.
Dishwasher BEEPS once every minute	This is a reminder that your dishwasher door has been left open during operation. It will continue beeping until you press Start and close the door.	Press Start and close the door.
Beeping at the end of the cycle (on some models)	This is normal. Dishwasher will beep at the end of the cycle.	
Dishes and flatware not clean	Ultra-Fine Filter or Fine Filter is clogged.	See the Care and Cleaning section.
	Low inlet water temperature.	Make sure inlet water temperature is correct (see the USING THE DISHWASHER section). Turn on the hot water faucet nearest the dishwasher, let run until the water temperature stops rising. Then start the dishwasher and turn off the faucet. This ensures the entering water is hot. Select Wash Temp Boost or Boost Temp if available.
	Water pressure is temporarily low.	Turn on a faucet. Is water coming out more slowly than usual? If so, wait until pressure is normal before using your dishwasher. Normal water pressure to the dishwasher should be 20-120 psi.
	Air gap or disposer clogged.	Clean the air gap or flush the disposer.
	High drain loop or air gap not installed.	Refer to the Installation Instructions for proper drain line installation.
	Improper rack loading.	Make sure large dishware does not block the detergent dispenser or the wash arms. See the Loading section.
	Poor performing detergent.	Use a highly rated detergent such as Finish® Quantum® Automatic Dishwashing Detergent .
Spots and filming on glasses and flatware	Extremely hard water.	Use rinse agents such as Finish® Jet-Dry® Rinse Aid to prevent spots and prevent new film build-up. If water is extremely hard, a softener may be required.
	Low inlet water temperature.	Make sure water temperature is at least 120°F (49°C).
	Overloading or improper loading of the dishwasher.	Load dishwasher as shown in the Loading section.
	Old or damp powder detergent.	Make sure detergent is fresh. Use a highly rated detergent such as Finish® Quantum® Automatic Dishwashing Detergent .
	Rinse agent dispenser empty.	Refill with rinse agent such as Finish® Jet-Dry® Rinse Aid .
	Too little or low performing detergent.	Make sure you use the proper amount of highly rated detergent.
Cloudiness on glassware	Combination of soft water and too much detergent.	This is called etching and is permanent. To prevent this from happening, use less detergent if you have soft water. Wash glassware in the shortest cycle that will get it clean.
	Low performing phosphate-free detergent.	See A white film on glassware, dishware and the interior in this TROUBLESHOOTING section.
	Water temperature entering the dishwasher exceeds 150°F (66°C)	This could be etching. Lower the water heater temperature.

Troubleshooting tips ... Before you call for service

Problem	Possible Cause	What To Do
Suds in the tub	Wrong detergent.	Use only automatic dishwasher detergents to avoid sudsing. Finish® Quantum® Automatic Dishwashing Detergent has been approved for use in all GE Appliances dishwashers. To remove suds from the tub, open the dishwasher and let suds dissipate. Open the door, press and hold Start for 3 seconds, and close the door.
	Rinse agent was spilled.	Always wipe up rinse agent spills immediately.
Detergent left in dispenser cups	Dishes or utensils are blocking the detergent cup.	Reposition the dishes, so the water from the lower spray arm can flush the detergent cup. See the Loading section. Reposition the tall utensils or heavy silverware that may be keeping the dispenser cup door from opening. See the Loading section. Don't place large bowls or pots directly under the detergent dispenser.
Black or gray marks on dishes	Aluminum utensils have rubbed against dishes.	Remove marks with a mild, abrasive cleaner.
Dishes don't dry	Low inlet water temperature.	Make sure inlet water temperature is at least 120°F (49°C). Select Heated Dry . Use Wash Temp Boost or Boost Temp option. Select a higher cycle, such as Wash Temp Sani , Sanitize Temp or Heavy .
	Rinse agent dispenser is empty.	Check the rinse agent dispenser and fill as required.
	Additional drying time is needed.	Leave door closed after the Clean light appears to allow the fan to run an additional 90 minutes. Note: If you open the door, this fan extension will be cancelled.
Control panel responded to inputs but dishwasher never filled with water	Door may not be completely closed.	Make sure the door is firmly closed.
	Water valve may be turned off.	Make sure water valve (usually located under the sink) is turned on.
	Flood float may be stuck.	Remove Ultra-Fine filter and lightly tap the piece under the ultra fine filter that looks like a salt shaker. Replace the filter
Stained tub interior	White film on inside surface—hard water minerals.	GE Appliances recommends Finish® Jet-Dry® Rinse Aid to help prevent hard water mineral deposits from forming. Run dishwasher with citric acid to remove mineral deposits. Citric acid (Part number: WD35X151) can be ordered through GE Appliances Parts. See back cover for ordering information. Alternatively, purchase Finish® Dishwasher Cleaner and follow the directions on the label.
Dishwasher won't run	Fuse is blown or circuit breaker is tripped.	Replace fuse or reset circuit breaker. Remove any other appliances from the circuit.
	Power is turned off.	In some installations, the power to the dishwasher is provided through a wall switch, often located next to the disposer switch. Make sure it is on.
	Control panel is locked.	Unlock control panel. See the Getting started section.
	Possible leak is detected.	Call for service at 800.561.3344.
	Proper Start sequence was not followed.	See the USING THE DISHWASHER section.
Control panel lights go off when you're setting controls	Time too long between touching of selected buttons.	

Troubleshooting tips ... Before you call for service

Problem	Possible Cause	What To Do
Water standing in the bottom of the tub	Air gap is clogged.	Clean the air gap. See the CARE AND CLEANING section.
	High drain loop or air gap not installed.	Refer to the Installation Instructions for proper drain line installation.
Water won't pump out of the tub	Drain is clogged.	If you have an air gap, clean it. See the CARE AND CLEANING section. If the dishwasher drains into a disposer, run disposer clear. Check to see if your kitchen sink is draining well. If not, you may need a plumber.
Steam	This is normal.	Warm, moist air comes through the vent during drying and when water is being pumped out. This is necessary for drying.
Sanitized or Cycle Sanitized light does not illuminate at the end of the cycle	The door was opened and the cycle was interrupted during final rinse.	Do not interrupt the cycle by opening the door during the wash cycle.
	The incoming water temperature was too low.	Raise the water heater temperature to between 120°F and 150°F (49°C and 66°C).
Noise	Normal operating sounds: Beeping at the end of the cycle (on some models); Detergent cup opening; Water entering dishwasher; Motor stops and starts at various times during cycle; Spray arms start and stop at various times; Drain pump sounds during pump out; Drain pump starts and stops several times during each drain.	These are all normal. No action is required.
	Rattling dishes when the spray arm rotates.	Make sure dishes are properly loaded. See the Loading section.
	Rattling silverware against door during wash.	Tall utensils may be placed in the upper rack to avoid bumping against inner door during wash cycle.
A white film on glassware, dishware and the interior	This problem is likely caused by a low quality phosphate-free dishwasher detergent.	To remove the white film, run your dishes through a dishwasher cycle with citric acid. Use a WG04A00103 citric acid kit found online. Otherwise, use Finish® Dishwasher Cleaner found at your local grocery store. Pour the citric acid in the detergent cup and close the cover. Place the filmed but otherwise clean glassware and dishware in the dishwasher. Leave silverware and other metal items out of the dishwasher. Turn the dishwasher on and let it run through a complete cycle without detergent. The glassware, dishware, and dishwasher should come out film free. Alternatively, a vinegar rinse may be used. Pour 1 cup (240 ml) of vinegar into dishwasher just after the detergent cup opens and let the dishwasher complete its cycle. This may be repeated several times a year as needed. The use of a rinse agent such as Finish® Jet-Dry® Rinse Aid may help minimize a repeat build up of film. Also, the use of a highly rated detergent such as Finish® Quantum® Automatic Dishwashing Detergent will help prevent film build-up.

GE Appliances Dishwasher Warranty

WARRANTY

GEAppliances.ca

All warranty service is provided by our Factory Service Centers, or an authorized Customer Care® technician. To schedule service online, visit us at https://service.geappliances.ca/servicio/en_CA/, or call GE Appliances at 800.561.3344. Please have your serial number and your model number available when calling for service.

Servicing your appliance may require the use of the onboard data port for diagnostics. This gives a GE Appliances factory service technician the ability to quickly diagnose any issues with your appliance and helps GE Appliances improve its products by providing GE Appliances with information on your appliance. If you do not want your appliance data to be sent to GE Appliances, please advise your technician not to submit the data to GE Appliances at the time of service.

For the period of	GE Appliances will replace
One year From the date of the original purchase	Any part of the dishwasher which fails due to a defect in materials or workmanship. During this limited one-year warranty , GE Appliances will provide, free of charge , all labor and in-home service to replace the defective part.

What GE Appliances will not cover (for customers in Canada):

- Service trips to your home to teach you how to use the product.
- Improper installation, delivery, or maintenance.
- Failure of the product if it is abused, misused or used for other than the intended purpose or used commercially.
- Replacement of house fuses or resetting of circuit breakers.
- Product not accessible to provide required service.
- Damage to the product caused by accident, fire, floods, or acts of God.
- Incidental or consequential damage caused by possible defects with this appliance.
- Cleaning or servicing of the air gap device in the drain line.
- Damage caused after delivery including damage from items dropped on the door.

This warranty is extended to the original purchaser and any succeeding owner for products purchased for home use within Canada. If the product is located in an area where service by a GE Appliances Authorized Servicer is not available, you may be responsible for a trip charge or you may be required to bring the product to an Authorized GE Appliances Service location for service.

EXCLUSION OF IMPLIED WARRANTIES

Your sole and exclusive remedy is product repair as provided in this Limited Warranty. Any implied warranties, including the implied warranties of merchantability or fitness for a particular purpose, are limited to one year or the shortest period allowed by law.

WARRANTOR IS NOT RESPONSIBLE FOR CONSEQUENTIAL DAMAGES.

Extended Warranties: Purchase a GE Appliances extended warranty and learn about special discounts that are available while your warranty is still in effect. Contact your retailer of purchase for more details.

Warrantor: MC Commercial Inc.

Staple your receipt here. Proof of the original purchase date is needed to obtain service under the warranty.

Consumer Support

GE Appliances Website

Have a question or need assistance with your appliance? Try the GE Appliances Website 24 hours a day, any day of the year! You can also shop for more great GE Appliances products and take advantage of all our on-line support services designed for your convenience. In Canada: **GEAppliances.ca**.

Register Your Appliance

Register your new appliance on-line at your convenience! Timely product registration will allow for enhanced communication and prompt service under the terms of your warranty, should the need arise. You may also mail in the pre-printed registration card included in the packing material. In Canada:

https://service.geappliances.ca/servicio/en_CA/

Schedule Service

Expert GE Appliances repair service is only one step away from your door. Get on-line and schedule your service at your convenience any day of the year. In Canada: https://service.geappliances.ca/servicio/en_CA/ or call 800.561.3344 during normal business hours.

Extended Warranties

Contact your retailer of choice regarding extended warranties to purchase a GE Appliances extended warranty and learn about special discounts that are available while your warranty is still in effect.

Parts and Accessories

Individuals qualified to service their own appliances can have parts or accessories sent directly to their homes via their local parts distributor. Or, call 800.661.1616 during normal business hours.

Instructions contained in this manual cover procedures to be performed by any user. Other servicing generally should be referred to qualified service personnel. Caution must be exercised, since improper servicing may cause unsafe operation.

Contact Us

If you are not satisfied with the service you receive from GE Appliances, contact us on our Website with all the details including your phone number, or write to:

Director, Customer Relations | MC Commercial Inc. | Suite 310 - 1 Factory Lane, Moncton NB, E1C 9M3



LAVE-VAISSELLE

SÉCURITÉ	24
UTILISATION DU LAVE-VAISSELLE	
Mise en marche.....	26
Distributeurs	29
Chargement.....	32
ENTRETIEN ET NETTOYAGE	34
DÉPANNAGE	36
GARANTIE	39
SERVICE À LA CLIENTÈLE	40

MANUEL DE L'UTILISATEUR

Série GBF655

Série PBF665

Inclut les appareils
de la série GE Profile^{MC}

ENGLISH/FRANÇAIS

Inscrivez ici les numéros
de modèle et de série :

N° de modèle _____

N° de série _____

Vous trouverez ces numéros sur
une étiquette située sur la paroi
de la cuve, à l'intérieur de la porte.

MERCI DE PERMETTRE À ÉLECTROMÉNAGERS GE DE FAIRE PARTIE DE VOTRE FOYER.

Que vous ayez grandi avec des électroménagers GE ou qu'il s'agisse de votre premier appareil GE, nous sommes heureux de vous avoir dans la famille.

Nous sommes fiers du savoir-faire, de l'innovation et du design qui font partie intégrante de tous les électroménagers GE que nous fabriquons, et nous pensons que vous le serez aussi. À cet égard, l'enregistrement de votre appareil nous assure que nous pourrons vous fournir des informations importantes sur votre appareil et des détails sur sa garantie si vous en avez besoin.

Enregistrez votre électroménager GE en ligne dès maintenant. Des sites Web et des numéros de téléphone utiles sont disponibles dans la section « Service à la clientèle » de ce manuel de l'utilisateur. Vous pouvez également envoyer par courrier la carte d'enregistrement préimprimée qui se trouve dans l'emballage de votre appareil.



ÉLECTROMÉNAGERS GE

Notes

CONSIGNES DE SÉCURITÉ IMPORTANTES

LISEZ TOUTES LES INSTRUCTIONS AVANT D'UTILISER L'APPAREIL



AVERTISSEMENT

Pour votre sécurité et pour réduire les risques d'incendie, d'explosion, de choc électrique, de dommages matériels, de blessures ou d'accident mortel, vous devez vous conformer aux instructions contenues dans ce manuel.



AVERTISSEMENT

INSTALLATION ET ENTRETIEN APPROPRIÉS

Ce lave-vaisselle doit être installé conformément aux instructions d'installation avant que vous ne l'utilisiez. Si vous n'avez pas reçu le feuillet d'instructions d'installation avec votre lave-vaisselle, vous pouvez l'obtenir en consultant notre site Web : www.electromenagersge.ca.

- Raccordez le lave-vaisselle à un câblage permanent, métallique mis à la terre; ou acheminez un conducteur pour équipement mis à la terre avec les conducteurs de circuit raccordé à la borne ou au fil de mise à la terre de l'appareil.
 - Un mauvais raccordement du conducteur de mise à la terre de cet appareil peut entraîner un risque de choc électrique. En cas de doute quant à la mise à la terre de l'appareil, consultez un électricien qualifié ou un représentant du service après-vente.
 - Mettez correctement au rebut les appareils que vous jetez et tous les matériaux d'emballage et d'expédition.
 - Ne tentez pas de réparer ou de remplacer une pièce du lave-vaisselle, sauf si cela est spécifiquement recommandé dans ce manuel. Toutes les autres réparations doivent être confiées à un technicien qualifié.
 - N'utilisez que l'ensemble de cordon WG04F04614 ou un câble rigide pour raccorder cet appareil au système électrique du bâtiment. Le non-respect de cette consigne peut entraîner un risque d'incendie et de blessure.
 - Pour minimiser les risques de choc électrique, débranchez l'appareil avant de procéder à toute opération d'entretien.
- REMARQUE :** Arrêter le lave-vaisselle ne le déconnecte pas de l'alimentation électrique. Nous vous recommandons de faire appel à un technicien qualifié pour réparer votre appareil.



AVERTISSEMENT

LORSQUE VOUS UTILISEZ VOTRE LAVE-VAISSELLE, SUIVEZ LES PRÉCAUTIONS DE BASE, Y COMPRIS CE QUI SUIT :

- Cet appareil ne doit être utilisé qu'aux fins prévues et décrites dans ce manuel.
- N'utilisez que les détergents ou les agents de mouillage recommandés pour votre lave-vaisselle, et gardez ces produits hors de la portée des enfants. L'utilisation d'un détergent non spécifiquement conçu pour les lave-vaisselle entraînera la formation excessive de mousse.
- Disposez les articles pointus de façon à ce qu'ils ne risquent pas d'endommager le joint de la porte.
- Chargez les couteaux tranchants en orientant le manche vers le haut afin d'éviter de vous blesser lors du déchargement.
- Ne lavez pas les articles en plastique, à moins qu'ils portent la mention « Résistant au lave-vaisselle » ou l'équivalent. Pour les articles en plastique ne portant aucune indication, vérifiez les recommandations du fabricant.
- Ne touchez pas à l'élément chauffant lors de l'utilisation du lave-vaisselle ni immédiatement après.
- N'utilisez pas votre lave-vaisselle si tous les panneaux du caisson ne sont pas en place.
- Ne modifiez pas les commandes.
- Ne vous assoyez pas ou ne vous tenez pas debout sur la porte ou sur un panier du lave-vaisselle et n'utilisez pas l'appareil de façon abusive.
- Pour réduire les risques de blessures, ne laissez jamais les enfants jouer avec, sur ou à l'intérieur de cet appareil.
- Ne stockez pas et n'utilisez pas de matières combustibles, y compris de l'essence ou d'autres liquides ou vapeurs inflammables, à proximité de cet appareil ou de tout autre électroménager.
- Les petites pièces, telles que les supports des paniers et les tiges de retenue du filtre, peuvent constituer un risque d'étouffement pour les jeunes enfants s'ils sont retirés du lave-vaisselle. Tenir hors de portée des jeunes enfants.

LISEZ ET CONSERVEZ CES INSTRUCTIONS

CONSIGNES DE SÉCURITÉ IMPORTANTES

LISEZ TOUTES LES INSTRUCTIONS AVANT D'UTILISER L'APPAREIL

AVERTISSEMENT MESURES DE SÉCURITÉ RELATIVES AU CHAUFFE-EAU

Dans certaines conditions, de l'hydrogène peut se former dans un chauffe-eau qui n'a pas été utilisé pendant deux semaines ou plus.

L'HYDROGÈNE EST UN GAZ EXPLOSIF.

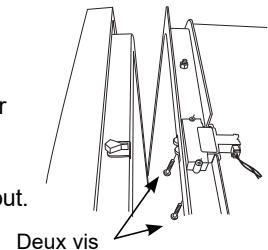
Si l'eau chaude n'a pas été utilisée pendant 2 semaines ou plus, ouvrez tous les robinets d'eau chaude et laissez l'eau couler pendant plusieurs minutes pour éviter les dommages et les blessures. Faites de même avec tout appareil électrique raccordé au circuit d'eau chaude. Ce simple procédé permet à l'hydrogène de s'échapper. Ce gaz étant inflammable, ne fumez pas et n'utilisez pas l'appareil ou de flamme nue pendant cette opération.

AVERTISSEMENT RISQUE D'ENFERMEMENT POUR LES ENFANTS

MISE AU REBUT APPROPRIÉE DU LAVE-VAISSELLE

Les lave-vaisselle abandonnés ou mis au rebut sont toujours dangereux... même si ce n'est que pour « quelques jours ». Si vous vous débarrassez de votre lave-vaisselle, veuillez suivre les instructions ci-dessous pour éviter tout accident.

- Ne laissez pas les enfants jouer avec, sur ou à l'intérieur de cet appareil ou de tout appareil mis au rebut.
- Retirez la porte du compartiment de lavage ou retirez le loquet en enlevant les deux vis du récepteur du loquet à l'intérieur de la cuve (comme indiqué).



ATTENTION POUR ÉVITER DES BLESSURES ET DES DOMMAGES À LA PROPRIÉTÉ

- Pendant ou après le cycle de lavage, le contenu peut être chaud au toucher. Faites attention avant de manipuler le contenu du lave-vaisselle.
- Une surveillance étroite est nécessaire si cet appareil est utilisé par ou près des enfants. Ne laissez pas d'enfants jouer autour du lave-vaisselle lorsque vous fermez la porte, lorsque vous fermez le panier supérieur ou en ajustant verticalement le panier supérieur pour éviter de pincer leurs doigts.
- Articles qui ne vont pas au lave-vaisselle : Ne lavez pas d'articles tels que les filtres de purificateur d'air électronique, les filtres de fournaise ou les pinces dans votre lave-vaisselle. Vous pourriez endommager le lave-vaisselle, le décolorer ou le tacher.
- Placez les articles en plastique légers de façon à ce qu'ils ne tombent pas au fond du lave-vaisselle. Ils pourraient entrer en contact avec l'élément chauffant et être endommagés.

ATTENTION EXIGENCES ÉLECTRIQUES

- Ce lave-vaisselle doit être alimenté par une tension de 120 V, 60 Hz et être raccordé à un circuit de dérivation indépendant mis à la terre et protégé par un disjoncteur de 15 A ou 20 A ou un fusible temporisé.
- Si l'alimentation électrique fournie n'est pas conforme aux exigences ci-dessus, nous vous recommandons de demander à un électricien qualifié d'installer une prise conforme.
- Le circuit de votre lave-vaisselle ne doit pas être utilisé pour d'autres appareils lorsque le lave-vaisselle fonctionne car ce dernier a besoin de toute la capacité du circuit.

AVIS

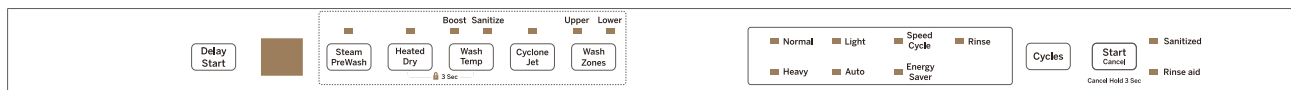
- Si votre lave-vaisselle est raccordé à un interrupteur mural, assurez-vous que l'interrupteur est en position de mise en marche avant d'utiliser le lave-vaisselle.
- Si vous choisissez d'éteindre l'interrupteur mural entre les cycles de lavage, attendez 5 à 10 secondes après avoir allumé l'interrupteur avant d'appuyer sur la touche Start (démarrer) pour permettre l'initialisation de la commande.
- N'utilisez que des détergents en poudre, du Détergent pour lave-vaisselle **Finish^{MD} Quantum^{MD}**, des détergents ou des agents de rinçage liquides recommandés pour les lave-vaisselle et gardez-les hors de portée des enfants. L'utilisation du **Détergent pour lave-vaisselle Finish^{MD} Quantum^{MD}** et de l'**Agent de rinçage Finish^{MD} Jet-Dry^{MD}** a été approuvée pour tous les lave-vaisselle d'Électroménagers GE.

LISEZ ET CONSERVEZ CES INSTRUCTIONS

Mise en marche

Les fonctions et l'aspect des lave-vaisselle varient d'un modèle à l'autre.

PBF660



1 Chargez le lave-vaisselle

Pour obtenir les meilleurs résultats, suivez les directives de chargement de la section Chargement. Aucun pré-rinçage des résidus alimentaires normaux n'est requis. Éliminez de la vaisselle à laver les résidus durs, y compris les os, les cure-dents, les peaux et les graines. Enlevez les légumes à feuilles, les parures de viande et les quantités excessives de graisse ou d'huile.

2 Ajoutez le détergent

Ajoutez la quantité appropriée de détergent dans le distributeur. Utilisez un détergent tel que le **Détergent pour lave-vaisselle Finish^{MD} Quantum^{MD}**. Voir la section **Distributeurs**.

3 Ajoutez l'agent de rinçage

Ajoutez un agent de rinçage tel que l'**Agent de rinçage Finish^{MD} Jet-Dry^{MD}** dans le distributeur d'agent de rinçage. Voir la section **Distributeurs**.

4 Démarrez Annulez (Start Cancel)

Appuyez sur la touche Cycles pour sélectionner un programme de lavage. Le voyant situé à gauche de la touche s'allume pour indiquer quel programme de lavage a été sélectionné. Appuyer sur la touche Cycles fera afficher divers programmes de lavage dans la fenêtre d'affichage. Appuyez sur la touche jusqu'à ce que vous atteigniez le programme désiré.

REMARQUE : Les durées réelles des programmes de lavage varient en fonction du niveau de saleté de la vaisselle, de la température de l'eau et des options sélectionnées. Le programme de lavage peut être sélectionné même si la porte est ouverte. Le programme ne démarrera pas tant que la touche **Start Cancel** (démarrer annuler) n'est pas enfoncée et que la porte ne sera pas fermée dans les 4 secondes.

Vous pouvez annuler un programme de lavage à tout moment pendant le programme. Ouvrez prudemment la porte (l'eau peut éclabousser), appuyez sur la touche **Start Cancel** (démarrer annuler) pendant trois secondes, puis fermez la porte et le lave-vaisselle commencera à se vider. De plus, vous pouvez ouvrir la porte et appuyer sur la touche **Start Cancel** (démarrer annuler) pendant trois secondes pendant la vidange pour l'annuler.

Auto (automatique)	Ce programme détecte automatiquement le niveau de saleté et ajuste le programme de lavage en conséquence. * Durée : entre 1 heure 50 minutes et 2 heures 10 minutes.
Heavy (intensif)	Ce programme nettoie les ustensiles de cuisine ou la vaisselle très sales sur lesquels se sont déposés des aliments séchés ou cuits. Les plats de tous les jours sont sûrs d'être utilisés dans ce cycle. * Durée : 2 heures 31 minutes.
Normal	Ce programme est conçu pour les lavages quotidiens, réguliers ou typiques où il faut laver une charge complète de vaisselle normalement sale tout en économisant à la fois sur l'eau et l'énergie utilisées. * Durée : entre 1 heure 45 minutes et 2 heures 15 minutes. REMARQUE : C'est le programme Normal qui a été utilisé pour évaluer l'efficacité énergétique de ce lave-vaisselle.
Light (léger)	Ce programme permet de nettoyer la vaisselle légèrement à moyennement sale. Il est sans danger pour la porcelaine et le cristal sans options sélectionnées. * Durée : 1 heure 55 minutes.
Rinse (rinçage)	Permet de rincer des charges partielles qui seront lavées plus tard. Ne pas utiliser de détergent. Aucun détergent n'est distribué pendant le programme de rinçage. * Durée : 20 minutes.
Speed Cycle (lavage rapide)	Ce programme permet de nettoyer rapidement la vaisselle légèrement sale. * Durée : 1 heure. Pour un séchage plus rapide, sélectionnez Heated Dry (séchage avec chaleur). La température de l'eau du rinçage final sera augmentée. L'option Heated Dry (séchage avec chaleur) prolongera la durée du programme de quelques minutes.
Energy Saver (économie d'énergie)	Ce programme lavera efficacement la vaisselle en utilisant environ 2 à 5 gallons d'eau (7,6 à 19 L). * Durée : 1 heure 45 minutes.

Mise en marche

5 Sélectionnez un programme

Le voyant situé à gauche de la touche s'allume pour indiquer quelle option de lavage a été sélectionnée.

Normal Temp (temp. normale)	Cette option permet de laver la vaisselle normalement sale, optimise les performances de lavage tout en conservant l'énergie.
Wash Temp Boost (augmenter la temp. de lavage)	Cette option augmente la température de l'eau pour aider à nettoyer la vaisselle très sale et prolonge le temps de lavage de 20 à 50 minutes. Cette option améliorera également les performances de séchage du programme Normal .
Wash Temp Sani (temp. de lavage de désinfection) ou Sanitize Temp (temp. de désinfection)	<p>Ce programme augmente la température de l'eau au cours du rinçage final pour désinfecter votre vaisselle mais peut prolonger le programme de lavage de 60 minutes. La durée du programme variera en fonction de la température de l'eau de votre alimentation en eau.</p> <p>REMARQUE : Cette option est configurée pour se conformer à des normes d'assainissement. Si le programme est interrompu pendant ou après la phase de lavage principale ou si la température de l'eau entrante est si basse qu'un chauffage adéquat de l'eau ne peut pas être obtenu, les conditions d'assainissement peuvent ne pas être remplies. Dans ce cas, le voyant « Sanitized » (désinfecté) ou « Cycle Sanitized » (programme avec désinfection) peut ne pas s'allumer à la fin du programme. L'utilisation de cette option modifiera le programme pour répondre aux exigences de la Section 6, NSF 184 régissant l'élimination des saletés et l'efficacité de la désinfection.</p> <p>REMARQUE : Les lave-vaisselle résidentiels certifiés NSF ne sont pas destinés aux établissements alimentaires autorisés.</p>
Heated Dry (séchage avec chaleur)	<p>Lorsque l'option Heated Dry (séchage avec chaleur) est sélectionnée, l'élément chauffant continuera à fonctionner pendant le processus de séchage.</p> <p>Cette option est disponible avec les programmes de lavage Normal, Heavy (intensif), Light (léger) et Energy Saver (économie d'énergie).</p> <p>Activez l'option pour obtenir un séchage plus rapide. Cette option peut ajouter jusqu'à 85 minutes au temps du programme. Sur les modèles avec séchage à la chaleur, cette option augmente la température du lave-vaisselle pendant la dernière phase de rinçage du programme.</p>
Steam PreWash (prélavage à la vapeur)	<p>À utiliser pour la vaisselle très sale et/ou souillée d'aliments séchés ou cuits. Cette option DOIT être sélectionnée AVANT de démarrer le programme de lavage. L'option de prélavage à la vapeur Steam ajoute jusqu'à 30 minutes au temps du programme.</p> <p>Cette option est disponible avec les programmes de lavage Heavy (intensif), Auto (automatique) et Normal.</p>
Wash Zones (zones de lavage)	La sélection de la zone de lavage supérieure (Upper) ou inférieure (Lower) ciblera le lavage de la vaisselle sur un seul panier. L'utilisation de cette option raccourcira le temps du programme et permettra d'économiser de l'énergie. Cette option doit être utilisée lorsque la vaisselle à laver est placée dans un seul panier.
Cyclone Jet (jets cycloniques)	Cette option augmente la puissance des jets d'eau. Utilisez cette option lorsque vous voulez laver des casseroles et des poêles très souillées, des bols de service durables et d'autres grands plats difficiles à nettoyer.
Delay Start (démarrage différé)	Cette option permet de retarder le début du programme de lavage jusqu'à 24 heures selon le modèle de votre lave-vaisselle. Appuyez sur la touche Delay Start (démarrage différé) pour sélectionner le nombre d'heures de délais. Les heures s'afficheront dans la fenêtre d'affichage ou le voyant correspondant s'allumera. Si vous souhaitez annuler l'option Delay Start (démarrage différé), ouvrez la porte avant le début du programme et maintenez la touche Start Cancel (démarrer annuler) pendant trois secondes.
Verrouillage pour enfants	<p>Vous pouvez verrouiller les commandes pour empêcher que d'autres fonctions soient sélectionnées. Vous pouvez également verrouiller les commandes après avoir démarré un programme pour éviter les changements de programme. Par exemple, les enfants ne peuvent pas démarrer accidentellement le lave-vaisselle en appuyant sur les touches lorsque cette option est sélectionnée.</p> <p>Pour VERROUILLER les commandes du lave-vaisselle, appuyez sur les touches Heated Dry (séchage avec chaleur) et Wash Temp (temp. de lavage) pendant 3 secondes et l'indicateur de verrouillage apparaîtra sur l'afficheur.</p> <p>Pour DÉVERROUILLER les commandes du lave-vaisselle, appuyez sur les touches Heated Dry (séchage avec chaleur) et Wash Temp (temp. de lavage) pendant 3 secondes et l'indicateur de verrouillage s'éteindra.</p>

Mise en marche

6 Démarrez le lave-vaisselle

Démarrage	Appuyez sur le bouton Start (démarrer) et fermez le lave-vaisselle dans les 4 secondes suivantes pour démarrer le programme ou commencer le compte à rebours du départ différé (Delay Hours). Le programme de lavage débutera peu après la fermeture de la porte. L'afficheur s'éteint si la porte reste ouverte pendant deux minutes. Pour activer l'afficheur, fermez et ouvrez la porte ou appuyez sur n'importe quelle touche.
Interruption ou pause du programme	Pour interrompre ou mettre un programme en pause, ouvrez lentement la porte. L'ouverture de la porte mettra le programme de lavage en pause. Pour redémarrer ou reprendre le programme, appuyez sur Start Cancel (démarrer annuler) et fermez la porte dans les 4 secondes.
Annulation	Pour annuler un programme de lavage, appuyez sur la touche Start Cancel (démarrer annuler), maintenez-la enfoncée pendant 3 secondes et fermez la porte. Le lave-vaisselle se videra de son eau, émettra un signal sonore et le voyant du programme de lavage s'éteindra.

7 Voyants de programme et signaux sonores (sur les modèles PBT650 et PBT660)



Situés sur le côté droit avant du lave-vaisselle, ces voyants indiquent à quelle étape se trouve le programme de lavage en cours.

1 WASH (lavage)	Lorsque le lave-vaisselle est dans la phase de lavage ou de rinçage du programme, les voyants Wash (lavage) s'allument.
2 DRY (séchage)	Lorsque le lave-vaisselle est dans la phase de séchage du programme, les voyants Wash (lavage) et Dry (séchage) s'allument.
3 CLEAN (propre)	Une fois que le lave-vaisselle a terminé toutes les phases d'un programme, tous les voyants s'allument. Si vous ouvrez la porte lorsque les voyants Clean (propre) sont allumés, ces voyants s'éteignent immédiatement.

Voyant Sanitized (désinfecté) – Si l'option de désinfection a été sélectionnée, le voyant Sanitized (désinfecté) s'allumera à la fin du programme. Si les exigences NSF en matière de désinfection ne sont pas atteintes, le voyant ne s'allumera pas. Les lave-vaisselle résidentiels certifiés NSF ne sont pas destinés aux établissements alimentaires autorisés. Le programme de désinfection de ce lave-vaisselle est certifié NSF.

Distributeurs

Vérifiez la température de l'eau

À son entrée dans le lave-vaisselle, l'eau doit être à au moins 120 °F (49 °C) et ne doit pas dépasser 150 °F (66 °C) pour assurer un lavage efficace sans danger pour la vaisselle. Vérifiez la température de l'eau avec un thermomètre à viande ou à confiserie.

Ouvrez le robinet d'eau chaude le plus proche du lave-vaisselle, placez le thermomètre dans un verre et laissez l'eau couler en continu dans le verre jusqu'à ce que la température s'arrête de monter.

Utilisez un agent de rinçage

Les agents de rinçage, comme l'Agent de rinçage Finish^{MD} Jet-Dry^{MD}, sont conçus pour améliorer le séchage de la vaisselle de façon importante et pour protéger les plats, les verres, les couverts, les ustensiles de cuisson et le plastique contre la formation de taches et de pellicule.

Remplissez le distributeur d'agent de rinçage

Le distributeur d'agent de rinçage peut contenir 3,5 oz (104 ml) d'agent de rinçage. Dans des conditions normales, cette quantité suffira pour environ un mois.

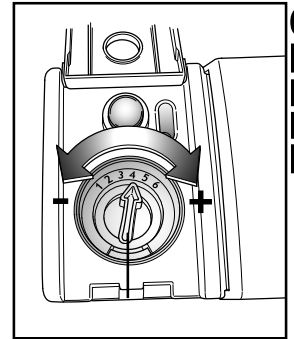
- 1 Assurez-vous que la porte du lave-vaisselle est grande ouverte.
- 2 Remplissez le distributeur d'agent de rinçage.
- 3 Ajoutez lentement l'agent de rinçage jusqu'à ce que le distributeur soit plein. Vous devrez peut-être interrompre le remplissage quelques fois pour éviter que le distributeur ne déborde et permettre au produit de bien se répartir. **REMARQUE** : La fenêtre de l'indicateur ne s'allume pas.
- 4 Essuyez tout agent de rinçage déversé avec un chiffon humide pour éviter la formation de mousse à l'intérieur du lave-vaisselle.
- 5 Fermez la porte du distributeur d'agent de rinçage.

Dosage de l'agent de rinçage

Il est possible de modifier la dose d'agent de rinçage libéré dans le lavage final. Si des taches de gouttes d'eau ou d'eau dure subsistent sur la vaisselle après la phase de séchage, augmentez ce dosage.

Pour régler le dosage

Ouvrez la porte du distributeur d'agent de rinçage, puis tournez le dispositif de réglage dans le sens des aiguilles d'une montre pour augmenter la quantité d'agent de rinçage (tournez-le dans le sens inverse des aiguilles d'une montre pour réduire la quantité d'agent de rinçage).

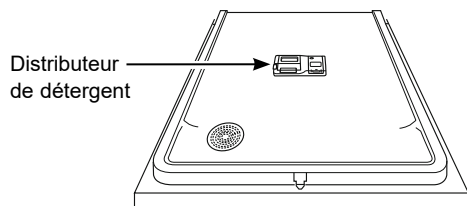


Distributeurs

Distributeur de détergent

Le distributeur de détergent est situé au centre de la porte du lave-vaisselle. Il est doté de deux compartiments. Le compartiment de lavage principal se trouve à l'intérieur du distributeur de détergent. Pour l'ouvrir, appuyez sur le bouton situé sur le côté du distributeur. Le compartiment de prélavage se trouve sur le couvercle du distributeur de détergent. N'utilisez le compartiment de prélavage que lorsque votre eau est extrêmement dure ou lorsque vous avez une charge de vaisselle très sale à laver. Il n'est pas nécessaire d'utiliser le compartiment de prélavage si vous utilisez du détergent en tablette ou en sachet.

REMARQUE : Ne chargez pas de gros articles dans le panier inférieur, car ils risqueraient d'empêcher les jets de lavage de rincer le distributeur de détergent.



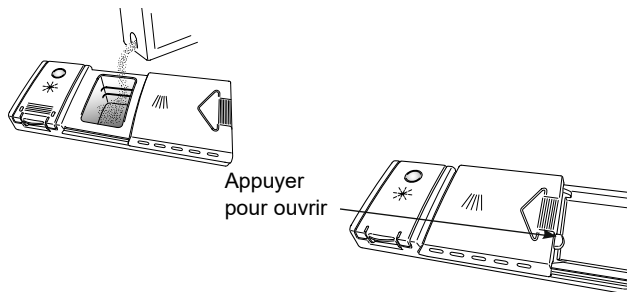
Vous pouvez utiliser un détergent pour lave-vaisselle automatique en tablette, en sachet, en poudre, en liquide ou en gel. N'utilisez que des détergents spécialement conçus pour les lave-vaisselle. N'utilisez jamais de détergent à vaisselle liquide dans un lave-vaisselle automatique. L'utilisation de détergents inadéquats entraînera une formation de mousse excessive et ne donnera pas de bons résultats de lavage.

Les détergents doivent être conservés dans un endroit sec et dans leur contenant d'origine pour éviter toute perte d'efficacité. Placez le détergent dans le réservoir juste avant de démarrer le lave-vaisselle, puis fermez le couvercle. Le couvercle s'ouvrira pendant le programme de lavage.

Remplissage du distributeur de détergent

Électroménagers GE recommande d'utiliser un détergent sous forme de tablette ou de sachet. Des tests indépendants ont montré que cette forme de détergent est très efficace dans le lave-vaisselle. Le détergent **Finish^{MD} Quantum^{MD} Powerball^{MD}** est un exemple de ce type de détergent. Placez simplement une tablette ou un sachet dans le compartiment de lavage principal et fermez le couvercle du réservoir de détergent. Veuillez noter que la tablette ou le sachet doit être placé dans le compartiment de lavage principal du réservoir de détergent. Si la tablette ou le sachet est placé dans le compartiment de prélavage ou jeté au fond du lave-vaisselle, le détergent sera évacué dans l'évier dans un très court laps de temps et sera ainsi gaspillé. La performance de lavage sera par conséquent très médiocre.

Si vous choisissez d'utiliser un détergent sous forme de poudre, de liquide ou de gel, la quantité de détergent que vous utilisez dépendra de la dureté et de la température de l'eau, et du niveau de saleté de la vaisselle à laver. Informez-vous auprès de votre service de distribution des eaux pour connaître la dureté de l'eau utilisée dans votre région. La dureté de l'eau est mesurée en grains par gallon. Utilisez cette information et le tableau ci-dessus pour déterminer la quantité de détergent à utiliser. Vous pouvez acheter une bandelette d'analyse d'eau dure auprès d'Électroménagers GE. Appelez le 1-800-661-1616 et demandez la pièce numéro **WG04F04842**.

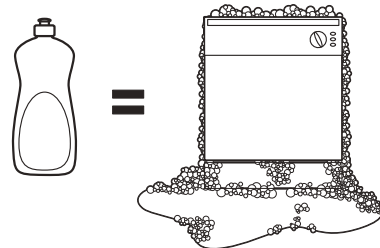


Utilisez ce tableau comme point de départ, puis ajustez la quantité de détergent en fonction des résultats de lavage. N'utilisez que la quantité vous permettant d'obtenir de bonnes performances de lavage. En utilisant la bonne quantité de détergent, vous obtiendrez un excellent rendement de lavage sans gaspillage de détergent et sans traînées sur la verrerie.

Nombre de grains/gallon	Quantité de détergent à utiliser
Moins de 4	Remplir le compartiment au tiers
De 4 à 8	Remplir le compartiment aux deux tiers
De 8 à 12	Remplir complètement le compartiment
Supérieur à 12	Remplir à la fois le réservoir de lavage principal et le réservoir de prélavage

Si vous utilisez trop de détergent avec de l'eau très douce ou très chaude, vous risquez d'altérer de façon permanente la transparence de vos articles en verre. Ce dommage est irréversible. Cependant, l'utilisation d'une trop faible quantité de détergent entraînera une mauvaise performance de lavage.

N'UTILISEZ PAS DE DÉTERGENT POUR LAVER LA VAISSELLE À LA MAIN



REMARQUE : L'utilisation d'un détergent non spécifiquement prévu pour lave-vaisselle entraînera la formation excessive de mousse. En cours de fonctionnement, cette mousse va sortir des événements du lave-vaisselle et se répandre sur le plancher de la cuisine.

Comme de nombreux contenants de détergent se ressemblent, rangez le vôtre dans un endroit séparé de tous les autres nettoyants. Informez toutes les personnes susceptibles d'utiliser le lave-vaisselle quel est le détergent à utiliser et où il est rangé.

Même si le lave-vaisselle n'en sera pas endommagé de façon permanente, l'utilisation d'un détergent non prévu pour les lave-vaisselle automatiques ne donnera pas une vaisselle propre.

Distributeurs

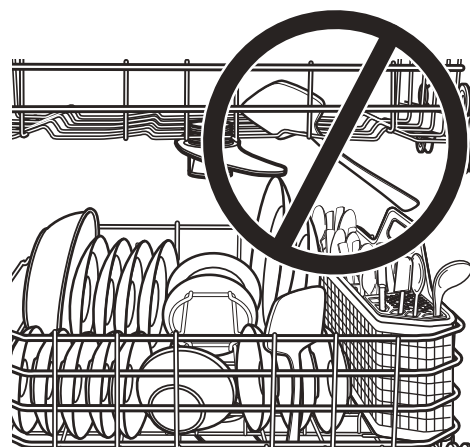
Pour obtenir des résultats optimaux, suivez ces directives pour charger le lave-vaisselle. Les caractéristiques et l'apparence des paniers et des paniers à ustensiles peuvent varier de votre modèle.

Panier supérieur

Le panier supérieur est principalement conçu pour y placer les verres, les tasses et les soucoupes. Pour optimiser les performances de lavage, inclinez l'ouverture des tasses et des verres vers le centre du panier. D'autres articles tels que des casseroles, des poêles et des assiettes peuvent être placés dans le panier supérieur. C'est également un endroit sûr pour les articles en plastique allant au lave-vaisselle. Le panier supérieur peut être utilisé pour des ustensiles de dimensions inhabituelles. Les casseroles, les bols à mélanger et les autres articles de forme similaire doivent être placés face vers le bas pour une meilleure performance de lavage. Assurez-vous que les petits objets en plastique soient bien fixés afin qu'ils ne puissent pas tomber sur l'élément chauffant situé au fond du lave-vaisselle, ce qui risquerait de les endommager. Certains modèles de lave-vaisselle sont équipés d'un élément chauffant dissimulé de sorte que les articles en plastique allant au lave-vaisselle peuvent être placés dans le panier inférieur.

IMPORTANT : Assurez-vous que les articles placés dans le panier supérieur n'interfèrent pas avec le 3^e panier (sur certains modèles) lors du chargement et du déchargement.

IMPORTANT : Assurez-vous qu'aucun article ne dépasse du bas du panier ou du panier à ustensiles, car il bloquerait la rotation du bras gicleur intermédiaire. Cela pourrait causer du bruit pendant le fonctionnement et/ou entraîner un lavage de piètre qualité.



8 couverts dans le panier supérieur



10 couverts dans le panier supérieur



12 couverts dans le panier supérieur



14 couverts dans le panier supérieur

Chargement

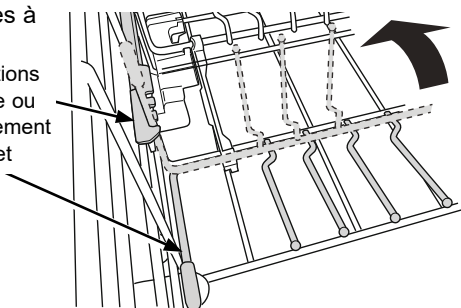
Pour obtenir des résultats optimaux, suivez ces directives pour charger le lave-vaisselle. Les caractéristiques et l'apparence des paniers et des paniers à ustensiles peuvent varier de votre modèle.

Panier inférieur

Le panier inférieur est principalement conçu pour y placer les assiettes, les soucoupes et les ustensiles de cuisine. Les gros articles, tels que les lèchefrites et les grilles de cuisson, doivent être placés sur les côtés du panier. Si nécessaire, disposez les verres et les tasses surdimensionnés dans le panier inférieur pour maximiser la polyvalence de chargement. Les assiettes, les soucoupes et les articles similaires doivent être placés entre les tiges du panier dans la direction qui permet à l'article de ne pas tomber du panier.

REMARQUE : Ne chargez pas de gros articles dans le panier inférieur, car ils risqueraient d'empêcher les jets de lavage de rincer le distributeur de détergent.

Les tiges rabattables du panier inférieur (sur certains modèles) peuvent être ajustées à différents angles verticaux ou placées à plat pour permettre de placer des articles aux formes irrégulières ou surdimensionnés.



AVERTISSEMENT Les fixations peuvent constituer un risque d'étouffement pour les jeunes enfants s'ils sont retirés du lave-vaisselle. Garder hors de la portée des enfants.

Pour changer la direction des tiges rabattables, abaissez-les puis retirez-les des fixations qui retiennent les tiges au panier et retirez-les. Inversez la direction des tiges, en orientant la poignée sur le côté opposé du panier. Rattachez les tiges aux fixations de barre en poussant les tiges vers l'arrière jusqu'à ce qu'elles s'enclenchent. Le repère devra aussi être placé du côté opposé du lave-vaisselle. Pour retirer le repère, il suffit de le faire glisser dans la direction désignée par « unlock » (déverrouiller). Ensuite, alignez le repère sur le panier de l'autre côté et faites-le glisser dans la direction désignée par « lock » (verrouiller) afin de refixer le repère au panier.

IMPORTANT : Assurez-vous qu'aucun article ne dépasse du bas du panier ou du panier à ustensiles, car il bloquerait la rotation du bras gicleur inférieur. Assurez-vous aussi que les grandes assiettes, les pots et les autres articles de grande taille ne percutent pas le bras gicleur intermédiaire. Cela pourrait causer du bruit pendant le fonctionnement et/ou entraîner un lavage de piètre qualité.



8 couverts dans le panier inférieur

10 couverts dans le panier inf.

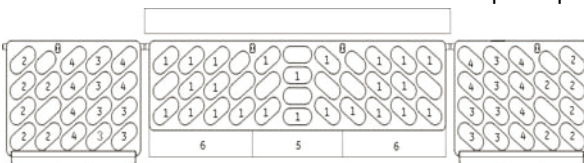
12 couverts dans le panier inf.

14 couverts dans le panier inf.

Panier à ustensiles

Placez les ustensiles dans les paniers amovibles pour couverts. Les objets pointus, comme les fourchettes et les couteaux, peuvent être placés avec les poignées vers le haut de façon à protéger vos mains. Pour de meilleurs résultats de lavage, placez les autres articles comme les cuillères avec la poignée vers le bas. Évitez de regrouper les articles afin de favoriser un lavage optimal. Lors du chargement, répartissez les articles uniformément dans le panier.

1. Cuillères
2. Couteaux
3. Fourchettes à salade
4. Fourchettes
5. Grandes fourchettes
6. Grandes cuillères



Les paniers amovibles à ustensiles peuvent aussi servir pour les petits articles, tels que cuillères à mesurer, sucres de bouteille pour bébé, capuchons de plastique ou porte-épis de maïs. Les couvercles des paniers amovibles peuvent être fermés pour contenir les petits articles.

IMPORTANT : Il est important de faire en sorte que les articles ne dépassent pas du bas du panier ou du panier à ustensiles pour ne pas gêner la rotation du bras gicleur intermédiaire ou qu'ils se coincent entre la porte et le joint lorsque la porte est fermée.



AVERTISSEMENT NE LAISSEZ AUCUN ARTICLE DESCENDRE JUSQU'AU FOND DU LAVE-VAISSELLE

Chargement

Pour obtenir des résultats optimaux, suivez ces directives pour charger le lave-vaisselle. Les caractéristiques et l'apparence des paniers et des paniers à ustensiles peuvent varier de votre modèle.

3^e panier (certains modèles)

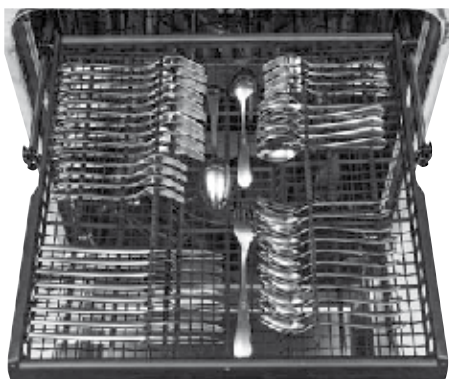
Le 3^e panier est l'endroit recommandé pour y déposer l'argenterie et les ustensiles de plus grande taille.

ATTENTION Soyez prudent lorsque vous chargez, déchargez ou transportez des plateaux à argenterie ou à ustensiles. Ces plateaux peuvent contenir des articles coupants ou lourds. La chute d'articles ou d'un plateau peut causer des blessures.

REMARQUES IMPORTANTES :

- Évitez que la coutellerie faite de matériaux différents ne se touche dans le 3^e panier. Cela pourrait entraîner une décoloration de la coutellerie.
- Le plateau est uniquement destiné à être utilisé dans un lave-vaisselle d'Électroménagers GE muni d'un 3^e panier pour ranger l'argenterie, les ustensiles de cuisson et d'autres petits articles. L'utilisation du plateau à d'autres fins risque d'endommager le plateau ou d'endommager des objets à son contact.
- Assurez-vous que le 3^e panier est complètement fermé avant de fermer la porte du lave-vaisselle. Fermer la porte avec le panier partiellement ouvert risque d'endommager le lave-vaisselle.

8 couverts



10 couverts



12 couverts



Régler le 3^e panier (certains modèles)

Le 3^e panier est l'endroit recommandé pour y déposer l'argenterie et les ustensiles de plus grande taille.

Réglage 1



Réglage 2



Réglage 3, ajuster le panier à une position supérieure



Réglage 4, les deux paniers se chevauchent



Réglage 5, suppression d'un côté. Notez que le côté gauche ne peut pas être retiré.



Entretien et nettoyage

Tableau de commande

Pour nettoyer le tableau de commande, utilisez un linge légèrement humide, puis séchez bien.

Panneau extérieur de la porte

Avant de nettoyer le panneau avant, assurez-vous de savoir de quel type de panneau il s'agit. Reportez-vous aux deux dernières lettres du numéro de votre modèle. Vous trouverez le numéro de votre modèle sur une étiquette située sur la paroi gauche de la cuve, à l'intérieur de la porte. Si le numéro de votre modèle se termine par BB, CC, WW, SA, ES, DS ou TS, cela signifie que le panneau de porte de votre lave-vaisselle est peint. Si le numéro de votre modèle se termine par SS, cela signifie que votre lave-vaisselle est muni d'une porte en acier inoxydable. Si le numéro de votre modèle se termine par II, cela signifie que votre lave-vaisselle est muni d'un panneau de porte intégré.

Suivez les instructions ci-dessous pour nettoyer le type de panneau de porte dont est muni votre modèle.

Panneau de porte peint (numéro de modèle se terminant par BB-noir, CC-bisque, WW-blanc, SA-argent, ES-ardoise, DS-ardoise noire ou TS-acier inoxydable noir)

Utilisez un chiffon propre, doux et légèrement humide, puis essuyez bien.

Panneau de porte en acier inoxydable (numéros de modèle se terminant par SS)

Pour faire disparaître la rouille, le ternissement, le nettoyants contenant de l'acide oxalique comme Bar Keepers Friend Soft Cleanser^{MC} permettent d'éliminer la rouille, le ternissement et les petites imperfections. Utilisez uniquement les nettoyants liquides sans abrasif et frottez dans le sens du grain avec une éponge douce et humide. N'utilisez pas de cire ni de produit à polir pour électroménagers sur l'acier inoxydable.

Pour faire disparaître d'autres imperfections ou marques, utilisez le nettoyant Stainless Steel Magic ou un produit similaire à l'aide d'un chiffon doux et propre. N'utilisez pas de cire pour électroménager, de produit à polir, d'agent de blanchiment ou de produits contenant du chlore sur les revêtements en acier inoxydable. Visitez une quincaillerie de votre région pour plus de détails ou appelez le 1-800-661-1616.

Panneau de porte intégré (numéros de modèle se terminant par II)

Il s'agit d'un panneau de porte personnalisé et vous devrez vous reporter aux recommandations du fabricant de l'armoire pour un nettoyage adéquat.

Intérieur du lave-vaisselle

Pour nettoyer et désodoriser votre lave-vaisselle, utilisez de l'acide citrique ou le **nettoyant pour lave-vaisselle Finish^{MD}**, un additif détergent. Le **nettoyant pour lave-vaisselle Finish^{MD}** délogera les dépôts minéraux et fera disparaître la pellicule et les taches d'eau dure. Vous pouvez commander la trousse d'acide citrique d'Électroménagers GE (**numéro de produit WG04A00103**) en appelant le 1-800-661-1616 ou en visitant une quincaillerie de votre région.

Contre-porte et cuve en acier inoxydable

L'acier inoxydable utilisé pour fabriquer la cuve et la contre-porte procure la plus haute fiabilité possible dans la gamme des lave-vaisselle d'Électroménagers GE.

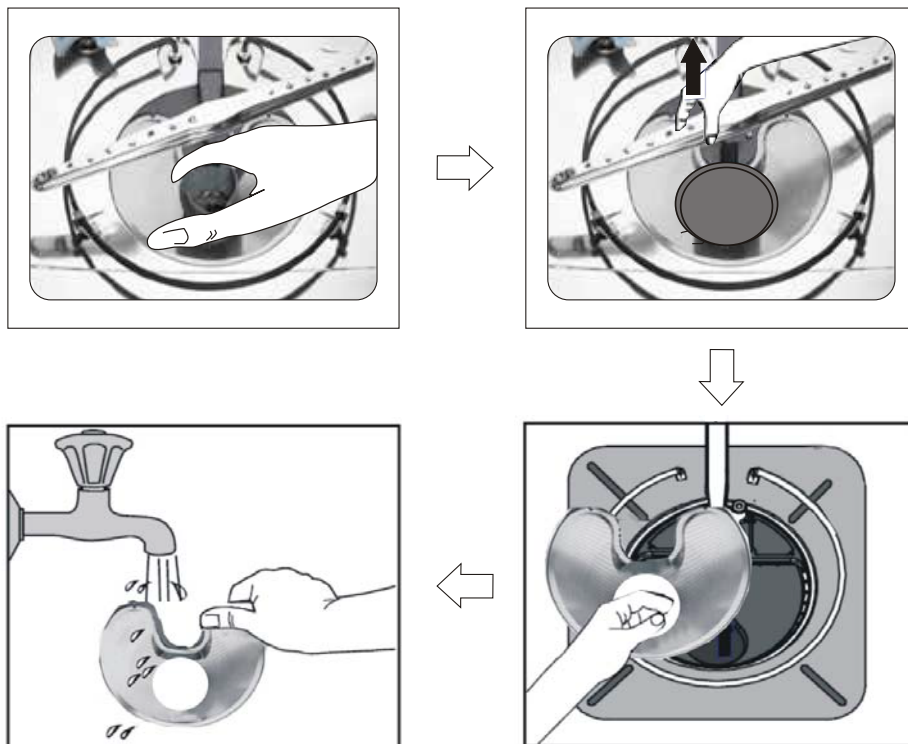
Si la contre-porte et la cuve venaient à être marquées ou rayées en cours d'usage normal, elles ne rouilleraient pas. Ces dommages superficiels n'affecteront pas leur durabilité ni leur fonctionnement.

Entretien et nettoyage

Nettoyage des filtres

Pour les meilleurs résultats de lavage, nettoyez le filtre **une fois par mois**. Le filtre enlève efficacement les particules alimentaires de l'eau de lavage, en permettant à l'eau de recirculer pendant le programme. Pour cette raison, il est préférable d'enlever fréquemment les grosses particules alimentaires emprisonnées dans le filtre, en rinçant le filtre et son boîtier à l'eau courante.

Pour retirer le filtre, suivez les 3 étapes indiquées ci-dessous. Pour nettoyer le filtre fin et le filtre principal, servez-vous d'une brosse. N'utilisez jamais le lave-vaisselle sans les filtres. Une mauvaise installation du filtre peut réduire le niveau de performance de l'appareil et endommager les ustensiles et la vaisselle.



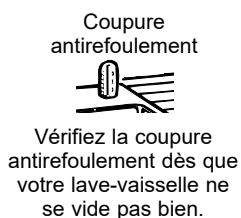
Protection contre le gel

Si vous laissez votre lave-vaisselle dans un endroit non chauffé pendant l'hiver, demandez à un technicien d'effectuer les tâches qui suivent :

- 1 Enlever l'alimentation électrique du lave-vaisselle. Enlever les fusibles ou déclencher le disjoncteur.
- 2 Couper l'alimentation en eau et débrancher la conduite d'alimentation au robinet d'adduction d'eau.
- 3 Purger l'eau de la conduite d'alimentation et du robinet d'adduction d'eau. (Utilisez un récipient pour recueillir l'eau.)
- 4 Rebrancher la conduite d'eau au robinet d'adduction d'eau.

Votre lave-vaisselle est-il doté d'une coupure antirefoulement?

Une coupure antirefoulement protège votre lave-vaisselle contre les refoulements d'eau lors d'un blocage du renvoi. Ce dispositif ne fait pas partie du lave-vaisselle. Il n'est pas couvert par votre garantie. Puisque tous les codes de plomberie n'exigent pas de coupures antirefoulement, il est possible que vous n'ayez pas un tel dispositif.



Il est facile de nettoyer la coupure antirefoulement.

- 1 Arrêtez le lave-vaisselle et enlevez le couvercle de la coupure antirefoulement.
- 2 Enlevez le capuchon en plastique sous le couvercle et nettoyez-le à l'aide d'un cure-dent.
- 3 Remplacez le capuchon et le couvercle une fois la coupure antirefoulement nettoyée.

Dépannage ... Avant de contacter le service de dépannage

Problème	Causes possibles	Correctifs
Le voyant d'état Start (démarrer) clignote	La porte a été ouverte ou le programme a été interrompu.	Appuyez sur la touche Start (démarrer) une fois puis fermez la porte dans les 4 secondes suivantes. Appuyez une deuxième fois sur la touche Start (démarrer) lorsque le lave-vaisselle fonctionne uniquement si vous souhaitez annuler le programme.
Le lave-vaisselle fait entendre un signal sonore (BIP) toutes les 30 secondes	Ce signal vous rappelle que vous avez ouvert la porte du lave-vaisselle pendant son fonctionnement. Le signal se fera entendre jusqu'à ce que vous fermiez la porte et appuyiez sur Start (démarrer).	Appuyez sur Start (démarrer) et fermez la porte.
Un signal sonore se fait entendre à la fin du programme (sur certains modèles)	Cela est normal. Le lave-vaisselle émet un bip à la fin du programme.	
La vaisselle et les ustensiles ne sont pas propres	Le filtre ultra-fin ou le filtre fin est bouché.	Reportez-vous à la section Entretien et nettoyage .
	La température de l'eau d'arrivée est trop basse.	Assurez-vous que la température de l'eau qui alimente le lave-vaisselle est correcte (voir la section UTILISATION DU LAVE-VAISSELLE). Ouvrez le robinet d'eau chaude situé le plus près du lave-vaisselle, puis laissez couler l'eau jusqu'à ce que la température cesse de monter. Ensuite, mettez le lave-vaisselle en marche et fermez le robinet. Vous aurez ainsi la certitude que l'eau qui alimente le lave-vaisselle est chaude. Sélectionnez l'option Wash Temp Boost (augmenter la temp. de lavage) ou Boost Temp (augmenter la temp.) si elle est disponible.
	La pression d'eau est temporairement faible.	Ouvrez un robinet. L'eau s'écoule-t-elle plus lentement que d'habitude? Si oui, attendez que la pression redevienne normale avant d'utiliser le lave-vaisselle. La pression d'eau normale au lave-vaisselle doit se situer entre 20 psi (138 kPa) et 120 psi (827 kPa).
	Coupure antirefoulement ou broyeur à déchets obstrué.	Nettoyez la coupure antirefoulement ou rincez le broyeur à déchets.
	La boucle de drainage supérieure ou la coupure antirefoulement n'est pas installée.	Reportez-vous aux instructions d'installation pour l'installation du tuyau d'évacuation adéquat.
	Mauvaise disposition des articles à laver dans le panier.	Assurez-vous que les grands plats ne gênent pas les bras de lavage ni les distributeurs de détergent. Voir la section Chargement .
	Détergent donnant de mauvais résultats de lavage.	Utilisez un détergent hautement coté tel que le Détergent pour lave-vaisselle Finish^{MD} Quantum^{MD} .
Tâches et dépôts sur les verres et les ustensiles	Eau extrêmement dure.	Ajoutez un agent de rinçage tel que l' Agent de rinçage Finish^{MD} Jet-Dry^{MD} pour empêcher la formation de tâches et de pellicule. Si l'eau est très dure, un adoucisseur peut s'avérer nécessaire.
	La température de l'eau d'arrivée est trop basse.	Vérifiez que la température de l'eau est à au moins 120 °F (49 °C).
	Le lave-vaisselle est mal ou trop chargé.	Placez la vaisselle dans le lave-vaisselle comme indiqué dans la section Chargement .
	Détergent en poudre vieux ou humide.	Assurez-vous que le détergent est récent. Utilisez un détergent hautement coté tel que le Détergent pour lave-vaisselle Finish^{MD} Quantum^{MD} .
	Le distributeur d'agent de rinçage est vide.	Remplissez-le avec un agent de rinçage tel que l' Agent de rinçage Finish^{MD} Jet-Dry^{MD} .
	Trop peu de détergent ou détergent donnant de mauvais résultats.	Assurez-vous d'utiliser une quantité adéquate de détergent reconnu.
Voile sur la verrerie	Combinaison d'une eau trop douce et de trop de détergent.	Ce voile est appelé « gravure chimique » et est permanent. Pour éviter ce phénomène, utilisez moins de détergent si vous avez de l'eau douce. Choisissez le programme le plus court pour laver vos verres.
	Détergent sans phosphate peu performant.	Voir Il y a une pellicule blanche sur la verrerie, la vaisselle et l'intérieur du lave-vaisselle plus bas dans la section DÉPANNAGE .
	La température de l'eau entrant dans le lave-vaisselle dépasse 150 °F (66 °C).	Cela pourrait être de la « gravure chimique ». Abaissez la température du chauffe-eau.

Dépannage ... Avant de contacter le service de dépannage

Problème	Causes possibles	Correctifs
Mousse dans la cuve	Mauvais détergent.	N'utilisez que des détergents pour lave-vaisselle afin d'éviter la formation de mousse. L'utilisation du Détergent pour lave-vaisselle Finish^{MD}Quantum^{MD} est approuvée dans tous les lave-vaisselle d'Électroménagers GE. Pour faire disparaître la mousse de la cuve, ouvrez le lave-vaisselle et laissez la mousse s'éliminer. Ouvrez la porte, appuyez sur la touche Start (démarrer) pendant 3 secondes, puis fermez la porte.
	Renversement d'agent de rinçage.	Nettoyez toujours immédiatement les déversements d'agent de rinçage.
Il reste du détergent dans les compartiments du distributeur de détergent	La vaisselle ou des ustensiles bloquent l'accès au compartiment à détergent.	Repositionnez la vaisselle afin que l'eau du bras gicleur inférieur puisse rincer le distributeur de détergent. Voir la section Chargement . Repositionnez les ustensiles longs ou les articles lourds en argenterie susceptibles de bloquer l'ouverture du couvercle du distributeur. Voir la section Chargement . Ne placez pas de grands bols ou des pots directement sous le distributeur de détergent.
Présence de marques noires ou grises sur la vaisselle	Des ustensiles en aluminium ont frotté contre la vaisselle.	Faites disparaître ces marques avec un nettoyant doux et abrasif.
La vaisselle ne sèche pas	La température de l'eau d'arrivée est trop basse.	Assurez-vous que la température de l'eau est à au moins 120 °F (49 °C). Sélectionnez l'option Heated Dry (séchage avec chaleur). Sélectionnez l'option Wash Temp Boost (augmenter la temp. de lavage) ou Boost Temp (augmenter la temp.). Sélectionnez un programme dont l'action de lavage est plus puissante, comme Wash Temp Sani (temp. de lavage de désinfection), Sanitize Temp (temp. de désinfection) ou Heavy (intensif).
	Le distributeur d'agent de rinçage est vide.	Vérifiez le distributeur d'agent de rinçage et ajoutez de l'agent de rinçage au besoin.
	Un temps de séchage supplémentaire est nécessaire.	Laissez la porte fermée après que le voyant Clean (propre) se soit affiché pour permettre au ventilateur de fonctionner pendant 90 minutes supplémentaires. Remarque : Si vous ouvrez la porte, ce fonctionnement prolongé du ventilateur sera annulé.
Le tableau de commande a réagi aux entrées mais le lave-vaisselle ne s'est jamais rempli d'eau	La porte n'est peut-être pas complètement fermée.	Assurez-vous que la porte soit bien fermée.
	Le robinet d'eau est peut-être fermé.	Assurez-vous que le robinet de l'entrée d'eau (généralement située sous l'évier) est ouvert.
	Le flotteur anti-inondation peut être coincé.	Retirez le filtre ultra-fin et tapotez légèrement la pièce située sous le filtre qui ressemble à une salière. Remplacez le filtre.
L'intérieur du lave-vaisselle est taché	Les minéraux contenus dans l'eau dure ont formé une pellicule blanche sur la surface intérieure.	Électroménagers GE recommande l'utilisation de l' Agent de rinçage Finish^{MD} Jet-Dry^{MD} pour empêcher la formation de dépôts minéraux causée par l'eau dure. Faites fonctionner le lave-vaisselle en y versant de l'acide citrique pour éliminer les dépôts de minéraux. Vous pouvez commander de l'acide citrique (numéro de pièce : WD35X151) au service des pièces d'Électroménagers GE. Voir la couverture arrière pour plus de détails sur les commandes. Sinon, achetez du Détergent pour lave-vaisselle Finish^{MD} et suivez les instructions de l'étiquette.
Le lave-vaisselle ne fonctionne pas	Le fusible a sauté ou le disjoncteur a été déclenché.	Remplacez le fusible ou réinitialisez le disjoncteur. Débranchez tous les autres appareils du circuit.
	L'alimentation électrique est coupée.	Dans certaines installations, l'alimentation électrique du lave-vaisselle est commandée par un interrupteur mural, souvent placé à côté de l'interrupteur du broyeur à déchets. Assurez-vous qu'il est en position de marche (ON).
	Les commandes sont verrouillées.	Déverrouillez le tableau de commande. Voir la section Mise en marche .
	Une possible fuite a été détectée.	Appelez le service de réparation au 1-800-561-3344.
	La bonne séquence de démarrage n'a pas été suivie.	Reportez-vous à la section UTILISATION DU LAVE-VAISSELLE .
Les voyants du tableau de commande s'éteignent lorsque vous réglez les commandes	Délais trop longs entre le choix des touches.	

Dépannage ... Avant de contacter le service de dépannage

Problème	Causes possibles	Correctifs
Il reste de l'eau au fond de la cuve	La coupure antirefoulement est bouchée.	Nettoyez la coupure antirefoulement. Reportez-vous à la section ENTRETIEN ET NETTOYAGE .
	La boucle de drainage supérieure ou la coupure antirefoulement n'est pas installée.	Reportez-vous aux instructions d'installation pour l'installation du tuyau d'évacuation adéquat.
L'eau n'est pas drainée hors de la cuve	Le renvoi est bouché.	Si votre système est doté d'une coupure antirefoulement, nettoyez-la. Voir la section ENTRETIEN ET NETTOYAGE . Si le lave-vaisselle se vide dans un broyeur à déchets, faites fonctionner le broyeur pour le dégager. Vérifiez si votre évier de cuisine se vide correctement. S'il ne se vide pas correctement, vous aurez peut-être besoin d'un plombier.
Présence de vapeur	Cela est normal.	De la vapeur s'échappe de l'évent pendant le lavage, le séchage et la vidange de l'eau. Elle est nécessaire pour le séchage.
Le voyant Sanitized (désinfecté) ou Cycle Sanitized (programme avec désinfection) ne s'allume pas à la fin du programme.	Vous avez ouvert la porte et le programme a été interrompu pendant la phase de rinçage final.	Il ne faut pas interrompre le programme pendant ou après la phase de lavage principal.
	La température de l'eau qui alimente le lave-vaisselle est trop basse.	Augmentez le réglage du chauffe-eau pour que la température de l'eau varie entre 120 °F (49 °C) et 150 °F (66 °C).
Bruit	Bruits de fonctionnement normaux : bip à la fin du programme de lavage (sur certains modèles); ouverture du distributeur de détergent; entrée de l'eau dans le lave-vaisselle; arrêt et mise en marche du moteur à différents moments pendant le programme; bras gicleurs qui démarrent et s'arrêtent à différents moments; bruit de la pompe pendant la vidange de l'eau; la pompe de vidange démarre et s'arrête à différents moments lors de chaque vidange.	Tous ces bruits sont normaux. Aucun correctif n'est requis.
	Bruit causé par la vaisselle lorsque le bras gicleur tourne.	Assurez-vous que la vaisselle est bien placée dans les paniers. Voir la section Chargement .
	Les ustensiles frottent bruyamment contre la porte pendant le lavage.	Les ustensiles de grande taille peuvent être placés dans le panier supérieur pour éviter qu'ils ne percutent contre la porte intérieure durant le programme de lavage.
Une pellicule blanche apparaît sur la verrerie, la vaisselle et les surfaces internes du lave-vaisselle	Ce problème est probablement causé par un détergent pour lave-vaisselle de mauvaise qualité et sans phosphate.	Pour éliminer cette pellicule blanche, faites fonctionner votre lave-vaisselle avec de l'acide citrique. Utilisez la trousse d'acide citrique numéro WG04A00103 que vous pouvez commander en ligne. Sinon, utilisez le Détergent pour lave-vaisselle Finish^{MD} que vous pouvez trouver dans une épicerie de votre région. Versez l'acide citrique dans le compartiment de détergent et fermez le couvercle. Placez la verrerie et la vaisselle propres mais recouvertes de la pellicule blanche dans le lave-vaisselle. Laissez l'argenterie et les autres articles en métal hors du lave-vaisselle. Démarrez le lave-vaisselle et laissez-le fonctionner pendant un programme complet sans détergent. Cette procédure devrait permettre d'éliminer la pellicule blanche qui se trouve sur la verrerie, la vaisselle et le lave-vaisselle. Un rinçage au vinaigre peut également être utilisé. Versez 1 tasse (240 ml) de vinaigre dans le lave-vaisselle juste après l'ouverture du compartiment de détergent et laissez le lave-vaisselle terminer son programme. Ceci peut être répété plusieurs fois par an si nécessaire. L'utilisation d'un produit de rinçage comme l' Agent de rinçage Finish^{MD} Jet-Dry^{MD} peut aider à minimiser la formation de cette pellicule. De plus, utilisez un détergent reconnu comme le Détergent pour lave-vaisselle Finish^{MD} Quantum^{MD} qui peut éviter la formation de cette pellicule.

Garantie d'Électroménagers GE

GARANTIE

electromenagersge.ca

Toutes les réparations sous garantie sont effectuées par nos Centres de réparation ou par nos réparateurs agréés Customer Care®. Pour planifier une réparation en ligne, visitez le https://service.geappliances.ca/servicio/fr_CA/ ou appelez au 1-800-561-3344. Veuillez avoir les numéros de série et de modèle de votre appareil à portée de main lorsque vous appelez pour obtenir un service.

La réparation de votre appareil peut nécessiter l'utilisation d'un accès embarqué aux données pour déterminer le diagnostic. Cela permet à un technicien de réparation d'Électroménagers GE de diagnostiquer rapidement tout problème avec votre appareil, et aide Électroménagers GE à améliorer ses produits en lui fournissant de l'information sur votre appareil. Si vous ne voulez pas que les données de votre appareil soient transmises à Électroménagers GE, veuillez aviser le technicien de ne pas transmettre de données à Électroménagers GE au moment de la réparation.

Pendant une période de	Électroménagers GE remplacera
Un an À compter de la date d'achat d'origine	Toute pièce du lave-vaisselle tombée en panne à la suite d'un vice de matériau ou de fabrication. Au cours de cette garantie limitée d'un an , MC Commercial Inc. fournira également, sans frais , toute la main-d'œuvre pour le remplacement de la pièce défectueuse à domicile.

Agrafez votre facture ici: Une preuve de la date d'achat d'origine est requise pour obtenir des services sous garantie.

Ce que Électroménagers GE ne couvre pas (pour les consommateurs du Canada) :

- Toute visite à votre domicile pour vous expliquer le fonctionnement de l'appareil.
- L'installation, la livraison ou l'entretien inappropriés de l'appareil.
- Toute défectuosité du produit lorsqu'il a été utilisé de façon abusive ou inadéquate, ou employé à toute autre fin que celle pour laquelle il a été conçu, ou utilisé à des fins commerciales.
- Le remplacement des fusibles ou le réenclenchement des disjoncteurs.
- Tout produit auquel il n'est pas possible d'accéder pour effectuer les réparations nécessaires.
- Tout dommage au produit attribuable à un accident, à un incendie, à une inondation ou à une catastrophe naturelle.
- Tout dommage accessoire ou indirect, causé par des défaillances possibles de l'appareil.
- Le nettoyage ou l'entretien du dispositif de coupure antirefoulement dans la conduite de vidange.
- Tout dommage causé après la livraison, incluant les dommages causés par la chute d'objets sur la porte.

Cette garantie est offerte à l'acheteur initial, ainsi qu'à tout propriétaire subséquent d'un produit acheté en vue d'une utilisation domestique au Canada. Si le produit se situe dans une zone où aucun réparateur agréé par Électroménagers GE n'est disponible, vous devrez peut-être assumer les frais de déplacement de celui-ci ou apporter le produit à un atelier de réparation agréé par Électroménagers GE.

EXCLUSIONS DES GARANTIES IMPLICITES

Votre seul et unique recours est de faire réparer le produit dans le cadre de cette garantie limitée. Toute garantie implicite, incluant la garantie de qualité marchande ou d'aptitude du produit à un usage particulier, est limitée à un an ou à la période la plus courte autorisée par la loi.

LE GARANT NE PEUT ÊTRE TENU RESPONSABLE DES DOMMAGES INDIRECTS.

Garanties prolongées : Procurez-vous une garantie prolongée Électroménagers GE et informez-vous au sujet des rabais spéciaux offerts tout au long de la durée de votre garantie. Contactez votre revendeur pour plus de détails.

Garant : MC Commercial Inc.

Service à la clientèle

Site Web des électroménagers GE

Vous avez des questions ou besoin d'assistance concernant votre appareil? Consultez le site Web d'Électroménagers GE, accessible 24 heures sur 24, tous les jours de l'année! Vous pouvez également acheter d'autres excellents produits d'Électroménagers GE et bénéficier de tous nos services de soutien en ligne conçus pour votre commodité. Au Canada : electromenagersge.ca.

Enregistrer votre appareil

Enregistrez votre nouvel appareil en ligne au moment qui vous convient le mieux! L'enregistrement de votre produit dans les délais prescrits permet une meilleure communication et un service rapide, selon les modalités de votre garantie, si besoin est. Vous pouvez également envoyer par courrier la carte d'enregistrement préimprimée qui se trouve dans l'emballage de votre appareil. Au Canada : https://service.geappliances.ca/servicio/fr_CA/

Demande de service

Pour bénéficier du service de réparation d'Électroménagers GE, il suffit de nous contacter. Vous pouvez demander une réparation en ligne à toute heure du jour, au moment qui vous convient le mieux. Au Canada : https://service.geappliances.ca/servicio/fr_CA/ ou téléphonez au 1-800-561-3344 durant les heures normales de bureau.

Garanties prolongées

Communiquez avec votre détaillant concernant l'achat d'une garantie prolongée d'Électroménagers GE et renseignez-vous sur les rabais spéciaux qui sont offerts pendant que votre garantie est toujours en vigueur.

Pièces et accessoires

Les personnes ayant les compétences requises pour réparer elles-mêmes leurs appareils peuvent recevoir directement à la maison les pièces et accessoires par l'entremise du distributeur de pièces de leur région. Vous pouvez également téléphoner au 1-800-661-1616 durant les heures normales de bureau.

Les directives fournies dans le présent manuel comportent des procédures que n'importe quel utilisateur peut effectuer. Les autres types de réparation doivent généralement être confiés à un technicien qualifié. Faites preuve de prudence : une réparation ou un entretien mal effectué peut rendre l'utilisation de l'appareil dangereuse.

Pour nous joindre

Si vous n'êtes pas satisfait du service après-vente d'Électroménagers GE, communiquez avec nous sur notre site Web en fournissant tous les détails et votre numéro de téléphone, ou écrivez à :

Directeur, Relations avec la clientèle | MC Commercial Inc. | 1 Factory Lane, bureau 310, Moncton NB, E1C 9M3