



Bottom Freezer Refrigerators

Safety Instructions 2, 3

Operating Instructions

Features 4, 5

Controls 6, 7

Dispenser 8

Water Filter 9

Shelves and Bins 10

Pans 11

Freezer 12, 13

Automatic Ice maker 14

Care and Cleaning 15

Replacing the Lights 16

Installation Instructions

Preparing to Install the Refrigerator 17

Appliance Dimensions 18

Installing the Refrigerator 19-32

Installing the Water Line 33-35

Troubleshooting Tips 37, 38

Normal Operating Conditions 36

Service - Truth or Myth 39, 40

Consumer Support

Warranty 41

MWF Water Filter Cartridge Limited Warranty 43

Performance Data Sheet 42

Consumer Support Back Cover

Owner's Manual and Installation Instructions

GE, GE Profile and GE Café Models 21, 24 & 25 cuft

Write the model and serial numbers here:

Model # _____

Serial # _____

Find these numbers on a label on the left side, near the middle of the refrigerator compartment.

IMPORTANT SAFETY INFORMATION. READ ALL INSTRUCTIONS BEFORE USING.

SAFETY



GE Appliances website

For more information on your refrigerator's operation, visit www.GEAppliances.com or call 800.GECARES (800.432.2737). In Canada visit GEAppliances.ca or call 800.561.3344.

REFRIGERATOR SAFETY INFORMATION

! This is the safety alert symbol. This symbol alerts you to potential hazards that can kill or hurt you and others. All safety messages will follow the safety alert symbol and the word "DANGER", "WARNING", or "CAUTION". These words are defined as:

! DANGER Indicates a hazardous situation which, if not avoided, **will** result in death or serious injury.

! WARNING Indicates a hazardous situation which, if not avoided, **could** result in death or serious injury.

! CAUTION Indicates a hazardous situation which, if not avoided, **could** result in minor or moderate injury.

IMPORTANT SAFETY INSTRUCTIONS

! WARNING To reduce the risk of fire, explosion, electric shock, or injury when using your refrigerator follow these basic safety precautions:

- This refrigerator must be properly installed and located in accordance with the Installation Instructions before it is used.
- Unplug the refrigerator before making repairs, replacing a light bulb, or cleaning.
Note: Power to the refrigerator cannot be disconnected by any setting on the control panel.
Note: Repairs must be performed by a qualified service professional.
- Replace all parts and panels before operating.
- Do not store or use gasoline or other flammable vapors and liquids in the vicinity of this or any other appliance.
- Because of potential safety hazards under certain conditions, we strongly recommend against the use of an extension cord. However, if you must use an extension cord, it is absolutely necessary that it be a UL-listed (in the United States) or a CSA certified (in Canada), 3-wire grounding type appliance extension cord having a grounding type plug and outlet and that the electrical rating of the cord be 15 amperes (minimum) and 120 volts.
- To prevent suffocation and entrapment hazards to children, remove the fresh food and freezer doors from any refrigerator before disposing of it or discontinuing its use.
- Do not allow children to climb, stand or hang on the door handles or the shelves in the refrigerator. They could seriously injure themselves.

! CAUTION To reduce the risk of injury when using your refrigerator, follow these basic safety precautions.

- Do not clean glass shelves or covers with warm water when they are cold. Glass shelves and covers may break if exposed to sudden temperature changes or impact, such as bumping or dropping. Tempered glass is designed to shatter into many small pieces if it breaks.
- Keep fingers out of the "pinch point" areas; clearances between the doors and between the doors and cabinet are necessarily small. Be careful closing doors when children are in the area.
- Do not refreeze frozen foods which have thawed completely.
- Do not touch the cold surfaces in the freezer compartment when hands are damp or wet, skin may stick to these extremely cold surfaces.
- In refrigerators with automatic icemakers, avoid contact with the moving parts of the ejector mechanism, or with the heating element that releases the cubes. Do not place fingers or hands on the automatic ice making mechanism while the refrigerator is plugged in.
- Use a sturdy glass when dispensing ice (on models with ice dispenser).

IMPORTANT SAFETY INFORMATION. READ ALL INSTRUCTIONS BEFORE USING.

SAFETY (CONT.)

INSTALLATION

⚠ WARNING  **Explosion Hazard.**

Keep flammable materials and vapors, such as gasoline, away from refrigerator. Failure to do so can result in fire, explosion, or death.

CONNECTING ELECTRICITY

⚠ WARNING  **Electrical Shock Hazard.**

Plug into a grounded 3-prong outlet
Do not remove the ground prong

Do not use an adapter
Failure to follow these instructions can result in death, fire, or electrical shock.



Do not, under any circumstances, cut or remove the third (ground) prong from the power cord. For personal safety, this appliance must be properly grounded.

The power cord of this appliance is equipped with a 3-prong (grounding) plug which mates with a standard 3-prong (grounding) wall outlet to minimize the possibility of electric shock hazard from this appliance.

Have the wall outlet and circuit checked by a qualified electrician to make sure the outlet is properly grounded.

Where a standard 2-prong wall outlet is encountered, it is your personal responsibility and obligation to have it replaced with a properly grounded 3-prong wall outlet. Do not use an adapter.

The refrigerator should always be plugged into its own individual electrical outlet which has a voltage rating that matches the rating plate.

A 115 Volt AC, 60 Hz, 15- or 20-amp fused, grounded electrical supply is required. This provides the best performance and also prevents overloading house wiring circuits which could cause a fire hazard from overheated wires.

Never unplug your refrigerator by pulling on the power cord. Always grip plug firmly and pull straight out from the outlet.

Repair or replace immediately all power cords that have become frayed or otherwise damaged. Do not use a cord that shows cracks or abrasion damage along its length or at either end.

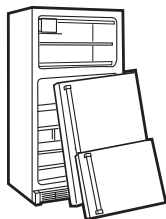
When moving the refrigerator away from the wall, be careful not to roll over or damage the power cord.

PROPER DISPOSAL OF YOUR OLD REFRIGERATOR

⚠ WARNING **Suffocation and child entrapment hazard.**

Remove fresh-food and freezer doors from the refrigerator, prior to disposal. Failure to do so can result in child entrapment which can lead to death or brain damage.

IMPORTANT:



Child entrapment and suffocation are not problems of the past. Junked or abandoned refrigerators are still dangerous even if they will sit for "just a few days." If you are getting rid of your old refrigerator, please follow the instructions below to help prevent accidents.

Before You Throw Away Your Old Refrigerator or Freezer:

- Take off the fresh food and freezer doors.

- Leave the shelves in place so that children may not easily climb inside.

Refrigerants

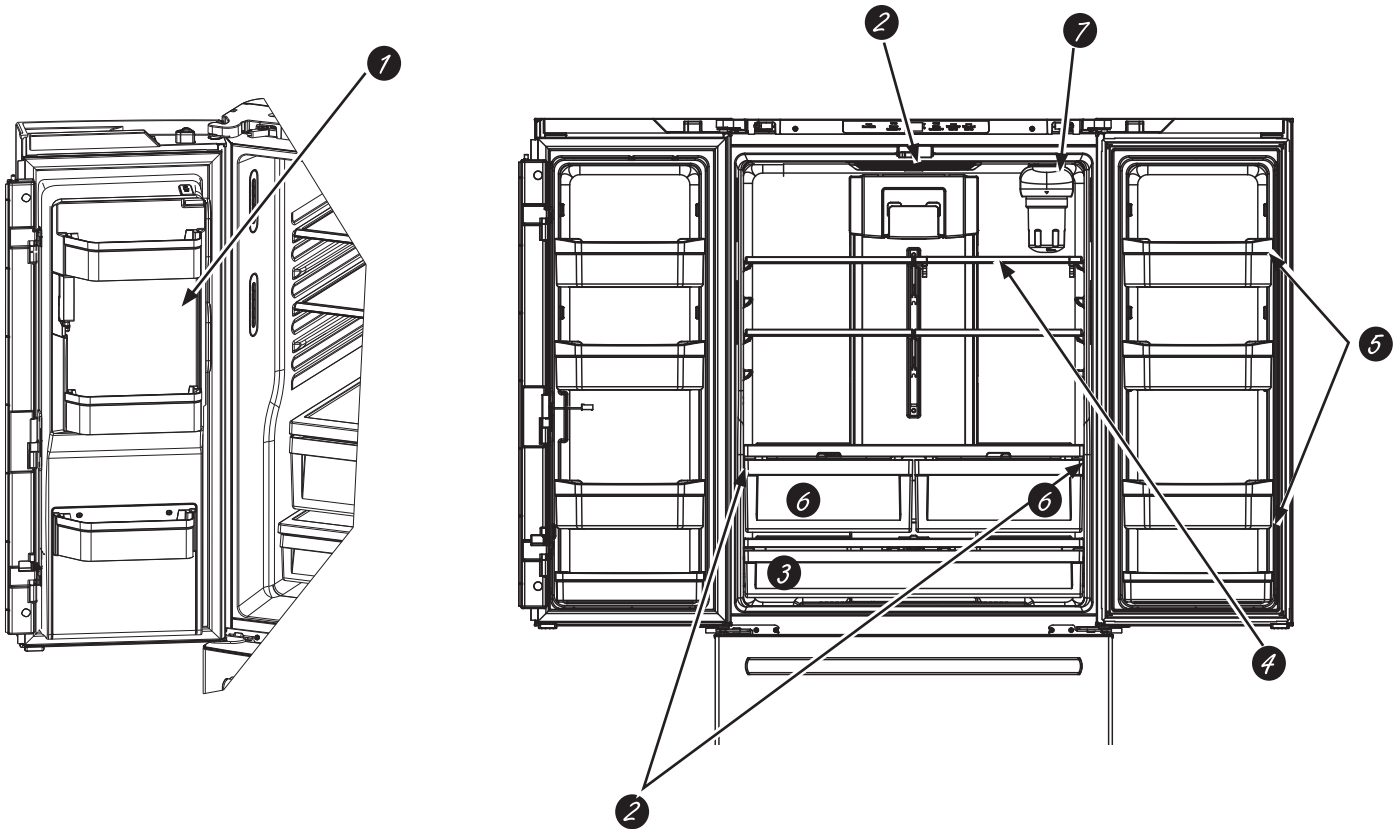
All refrigeration products contain refrigerants, which under federal law must be removed prior to product disposal. If you are getting rid of an old refrigeration product, check with the company handling the disposal about what to do.



**READ AND FOLLOW THIS SAFETY INFORMATION CAREFULLY.
SAVE THESE INSTRUCTIONS**

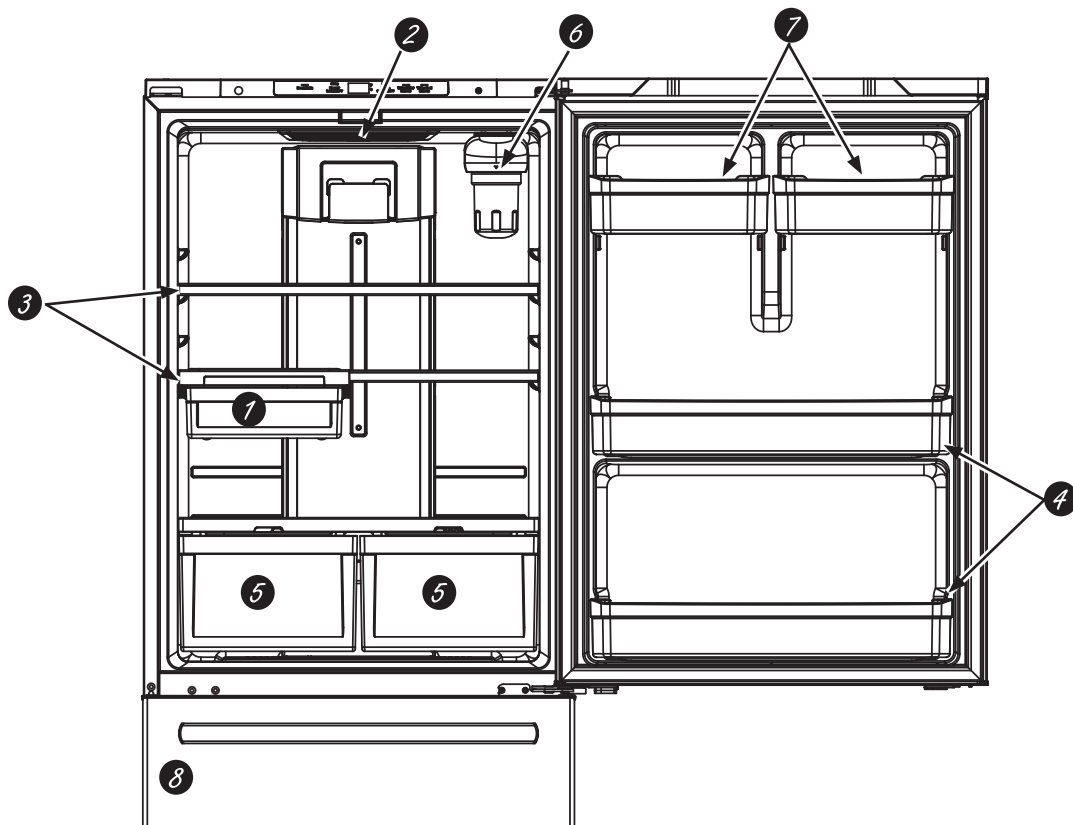
About the features.

French Door Models



- 1 Space-saving ice maker (on some models)**
Ice maker and bin are located on the door creating more usable storage space.
- 2 LED lighting**
LED lights in the fresh food compartment are located at the top center and on the left and right sides of climate zone pans. LED lights are also located in the freezer; see pages 12 and 13.
- 3 Full-width drawer**
A full-width drawer that can accommodate larger items is located at the bottom of the fresh food compartment.
- 4 QuickSpace™ shelf (on some models)**
Functions as a normal full-sized shelf when needed and easily slides back to store tall items below.
- 5 Removable/adjustable door bins**
Can be moved up or down to accommodate your needs.
- 6 Climate zone drawers**
Separate pans for produce storage.
- 7 Water filter**
Accessible for easy replacement.

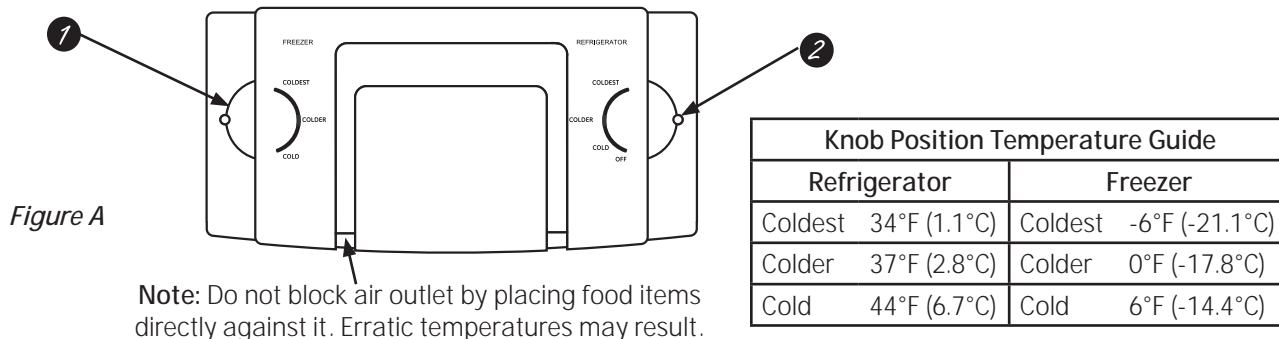
Single Door Models



- 1 Floating snack pan**
Can be moved to different locations to best serve your needs.
- 2 LED lighting**
LED light is located at the top of the fresh food compartment. LED lights are also located in the freezer; see pages 12 and 13.
- 3 Full-width shelves**
Full-width shelves that can accommodate larger items.
- 4 Full-width gallon door bins**
Nonadjustable full-width door bins that will hold gallon containers.
- 5 Climate zone pans**
Separate bins for produce storage.
- 6 Water filter (on some models)**
Accessible for easy replacement.
- 7 Adjustable door bins**
Can be moved up or down to accommodate your needs.
- 8 Icemaker (on some models)**
Icemaker is located in the freezer on some models. Icemaker Kit IM-4D or IM-5A are available for models that are icemaker-ready.

About the controls.

GBE21, ABE21 Internal Control

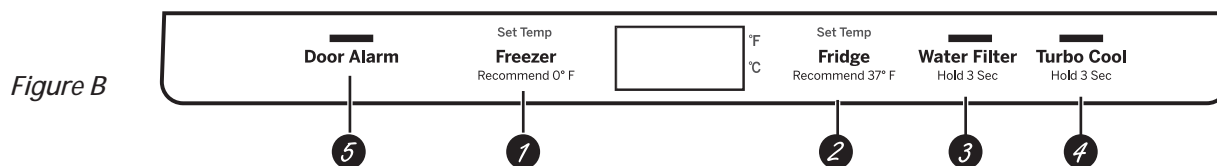


- 1 Freezer Compartment Temperature Control**
Adjust freezer compartment temperature. The freezer temperature is preset in the factory at the **Colder** position. Allow 24 hours for temperature to stabilize to the preset recommended setting.

- 2 Fresh Food Compartment Temperature Control**
Adjust fresh food compartment temperature. The fresh food temperature is preset in the factory at the **Colder** position. Allow 24 hours for temperature to stabilize to the preset recommended setting.

NOTE: Power to the refrigerator cannot be disconnected by any setting on the control panel.

GDE21, PDE21, GNE21, PNE21, GDE25, GNE25, PNE25, CNE25 Top Control



- 1 Freezer Compartment Temperature Control**
Adjust freezer compartment temperature. The freezer temperature is preset in the factory at **0°F**. Allow 24 hours for temperature to stabilize to the preset recommended setting.
- 2 Fresh Food Compartment Temperature Control**
Adjust fresh food compartment temperature. The fresh food temperature is preset in the factory at **37°F**. Allow 24 hours for temperature to stabilize to the preset recommended setting.
- 3 Water Filter**
Press and hold 3 seconds to reset the Water Filter.
- 4 Turbo Cool**
To set the **TurboCool™**, press the **Turbo Cool** pad for 3 seconds. The display will show **tc**. **TurboCool™** rapidly cools the refrigerator compartment in order to more quickly cool foods. Use **TurboCool™** when adding a large amount of the food to the refrigerator compartment, putting away foods after they have been sitting out at room temperature, or when putting away warm leftovers. It can also be used if the refrigerator has been without power for an extended period.

NOTE: The refrigerator temperature cannot be changed during **TurboCool™**. The freezer temperature is not affected during **TurboCool™**. When opening the refrigerator door during **TurboCool™**, the fans will continue to run if they have cycled on.

- 5 Door Alarm**
To set the alarm, press the **Door Alarm** pad. This alarm will sound if either door is open for more than 2 minutes. The beeping stops when you close the door.

NOTE: To put the refrigerator control in the **OFF** position, simultaneously touch the words **Freezer** and **Fridge** for 3 seconds. Power to the refrigerator cannot be disconnected by any setting on the control panel.

GFE24, PFE24, CFE24 External Control

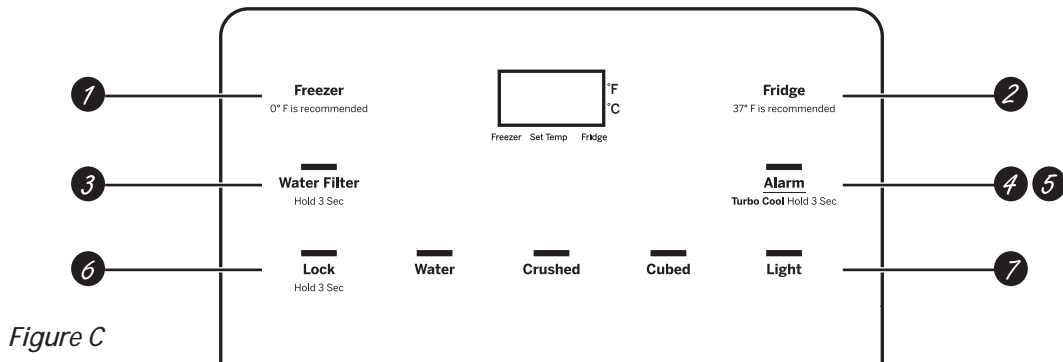


Figure C

- 1 **Freezer Compartment Temperature Control**
Adjust freezer compartment temperature. The freezer temperature is preset in the factory at **0°F**. Allow 24 hours for temperature to stabilize to the preset recommended setting.
- 2 **Fresh Food Compartment Temperature Control**
Adjust fresh food compartment temperature. The fresh food temperature is preset in the factory at **37°F**. Allow 24 hours for temperature to stabilize to the preset recommended setting.
- 3 **Water Filter**
Press and hold 3 seconds to reset the Water Filter.
- 4 **Turbo Cool**
To set the **TurboCool™**, press the **Alarm** pad for 3 seconds. The display will show **tc**. **TurboCool™** rapidly cools the refrigerator compartment in order to more quickly cool foods. Use **TurboCool™** when adding a large amount of the food to the refrigerator compartment, putting away foods after they have been sitting out at room temperature, or when putting away warm leftovers. It can also be used if the refrigerator has been without power for an extended period.

NOTE: The refrigerator temperature cannot be changed during **TurboCool™**. The freezer temperature is not affected during **TurboCool**. When opening the refrigerator door during **TurboCool™**, the fans will continue to run if they have cycled on.

- 5 **Alarm**
Press the **Alarm** pad to toggle the door alarm between off and on. The alarm will sound if either door is left open for more than 2 minutes. The beeping stops when you close the door.
- 6 **Lock**
Press and hold the **Lock** pad for 3 seconds to lock out ice and water dispenser and all other controls. Press and hold to unlock the controls.
- 7 **LED dispenser Light**
Press the **Light** pad to turn your dispenser light on and off.

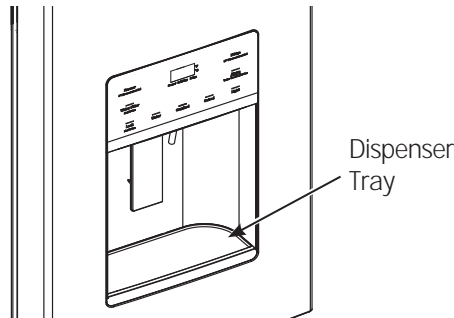
NOTE: To put the refrigerator control in the **OFF** position, simultaneously touch the words **Freezer** and **Fridge** for 3 seconds. Power to the refrigerator cannot be disconnected by any setting on the control panel.

NOTE: The refrigerator is shipped with protective film covering the temperature controls. If this film was not removed during installation, remove it now.

About the dispenser. (on some models)

Water & Ice Dispenser

(See About the controls)



Press the glass gently against the dispenser cradle.

The spill shelf is not self-draining. To reduce water spotting, the shelf should be cleaned regularly.

If no water is dispensed when the refrigerator is first installed, there may be air in the water line system. Press the dispenser paddle for at least five minutes to remove trapped air from the water line and to fill the water system. To flush out impurities in the water line, throw away the first six full glasses of water.

⚠ WARNING Laceration Hazard

- Never put fingers or any other object into ice crusher discharge opening. Doing so can result in contacting the ice crushing blades and lead to serious injury or amputation
- Use a sturdy glass when dispensing ice. A delicate glass may break and result in personal injury.

To remove Dispenser Tray

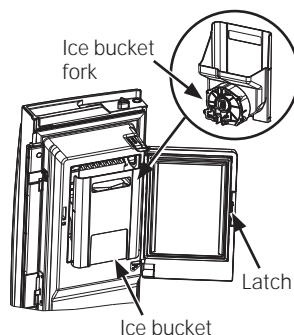
- Pull Dispenser Tray out.

To reinstall Dispenser Tray

- Push in until it is firmly in place.

Door Ice Bin

1. Open left fresh food door.
2. Pull down latch to release bin door.
3. Using handhold, lift ice bucket up and out to clear locators in bottom of bin.
4. To replace the ice bucket, set it on the guide brackets and push until the ice bucket seats properly.
5. If bucket cannot be replaced, rotate the Ice Bucket Fork 1/4 turn clockwise.



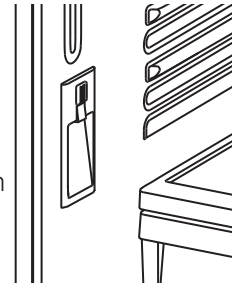
Internal Water Dispenser

(on some models)

The water dispenser is located on the left wall inside the refrigerator compartment.

To dispense water:

1. Hold the glass against the recess.
2. Push the water dispenser button.
3. Hold the glass underneath the dispenser for 2–3 seconds after releasing the dispenser button. Water may continue to dispense after the button is released.



If no water is dispensed when the refrigerator is first installed, there may be air in the water line system. Press the dispenser button for at least 5 minutes to remove trapped air from the water line and to fill the water system. During this process, the dispenser noise may be loud as the air is purged from the water line system. To flush out impurities in the water line, throw away the first 6 glassesful of water.

NOTE: To avoid water deposits, the dispenser should be cleaned periodically by wiping with a clean cloth or sponge.

Important Facts About Your Dispensers

- Do not add ice from trays or bags to the door ice maker bucket. It may not crush or dispense.
- Avoid overfilling glass with ice and use of narrow glasses. Backed-up ice can jam the chute or cause the door in the chute to freeze shut. If ice is blocking the chute remove the ice bucket, poke it through with a wooden spoon.
- Beverages and foods should not be quick-chilled in the door ice maker bin. Cans, bottles or food packages in the storage drawer may cause the ice maker or auger to jam.
- To keep dispensed ice from missing the glass, put the glass close to, but not touching, the dispenser opening.
- Some crushed ice may be dispensed even though you selected **CUBED ICE**. This happens occasionally when a few cubes accidentally get directed to the crusher.
- After crushed ice is dispensed, some water may drip from the chute.
- Sometimes a small mound of snow will form on the door in the ice chute. This condition is normal and usually occurs when you have dispensed crushed ice repeatedly. The snow will eventually evaporate.

About the GE Appliances® MWF water filter cartridge.

Water Filter Cartridge

The water filter cartridge is located in back upper right corner of the refrigerator compartment.

When to replace the filter on models with a replacement indicator light

There is a replacement indicator light for the water filter cartridge on the dispenser. A red light will start blinking to tell you that you need to replace the filter soon.

The filter cartridge should be replaced when the replacement indicator light turns red or if the flow of water to the dispenser or icemaker decreases.

When to replace the filter on models without a replacement indicator light

The filter cartridge should be replaced every six months or earlier if the flow of water to the dispenser or icemaker decreases.

Removing the filter cartridge

If you are replacing the cartridge, first remove the old one by slowly turning it to the left. **Do not** pull down on the cartridge. A small amount of water may drip down.

NOTE: To reduce the risk associated with property damage due to water leakage, read and follow instructions before installation and use of this system. Installation and use **MUST** comply with all state and local plumbing codes.

CAUTION

If air has been trapped in the system, the filter cartridge may be ejected as it is removed. Use caution when removing.

WARNING

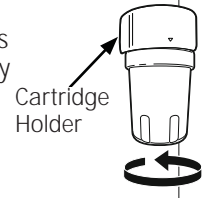
To reduce the risk associated with choking, do not allow children under 3 years of age to have access to small parts during the installation of this product. The disposable filter cartridge should be replaced every 6 months at the rated capacity, or sooner if a noticeable reduction in flow rate occurs.

For the maximum benefit of your filtration system, GE Appliances recommends the use of GE Appliances-branded filters only. Using GE-branded filters in GE Appliances and Hotpoint® refrigerators provides optimal performance and reliability. GE Appliances filters meet rigorous industry NSF standards for safety and quality that are important for products that are filtering your water. GE Appliances has not qualified non-GE-branded filters for use in GE Appliances and Hotpoint refrigerators and there is no assurance that non-GE-branded filters meet GE's standards for quality, performance and reliability.

If you have questions, or to order additional filter cartridges, visit our website at www.gewaterfilters.com or call GE Appliances Parts and Accessories, 800.626.2002 (Canada 1.800.626.2002 or geappliances.ca/en/products/parts-filters-accessories or call 1.800.661.1616).

Installing the Filter Cartridge

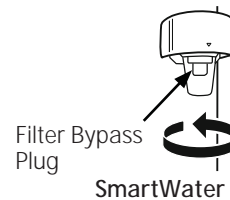
1. Fill the replacement cartridge with water from the tap to allow for better flow from the dispenser immediately after installation.
2. Line up the arrow on the cartridge and the cartridge holder. Place the top of the new cartridge up inside the holder. Do not push it up into the holder.
3. Slowly turn it to the right until the filter cartridge stops. **DO NOT OVERTIGHTEN.** As you turn the cartridge, it will automatically raise itself into position. The cartridge will move about a 1/2 turn.
4. Run water from the dispenser for 1-1/2 gallons (about three minutes) to clear the system and prevent sputtering.
5. Press and hold the RESET WATER FILTER pad (on some models) on the dispenser for three seconds.



NOTE: A newly installed water filter cartridge may cause water to spurt from the dispenser.

Filter Bypass Plug

You must use the filter bypass plug when a replacement filter cartridge is not available. The dispenser and the icemaker will not operate without the filter or filter bypass plug.



About the shelves and bins

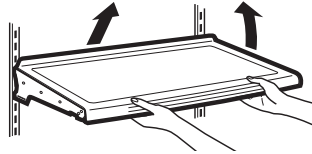
Not all features are on all models.

Rearranging the Refrigerator Shelves

Shelves in the refrigerator compartment are adjustable.

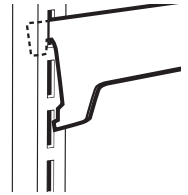
To remove the shelves:

1. Remove all items from the shelf.
2. Tilt the shelf up at the front.
3. Lift the shelf up at the back and bring the shelf out.



To replace the shelves:

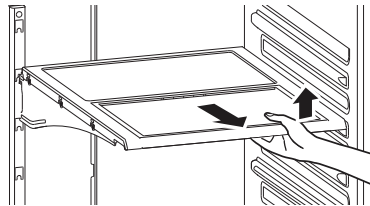
1. While tilting the shelf up, insert the top hook at the back of the shelf in a slot on the track.
2. Lower the front of the shelf until the bottom of the shelf locks into place.



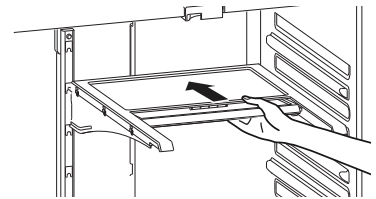
Quick Space Shelf (on some models)

This shelf splits in half and slides under itself for storage of tall items on the shelf below.

This shelf can be removed and replaced or relocated.



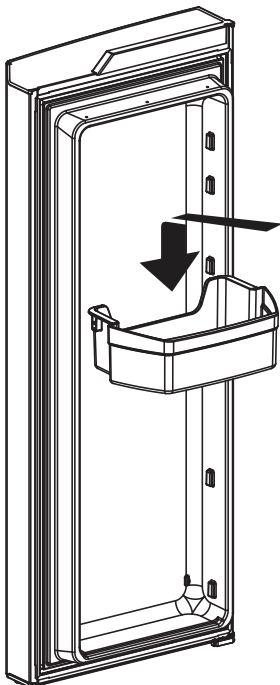
NOTE: The back half of the Quick Space Shelf is not adjustable.



Adjustable Door Bins (on some models)

To remove: Lift the bin straight up; then pull out.

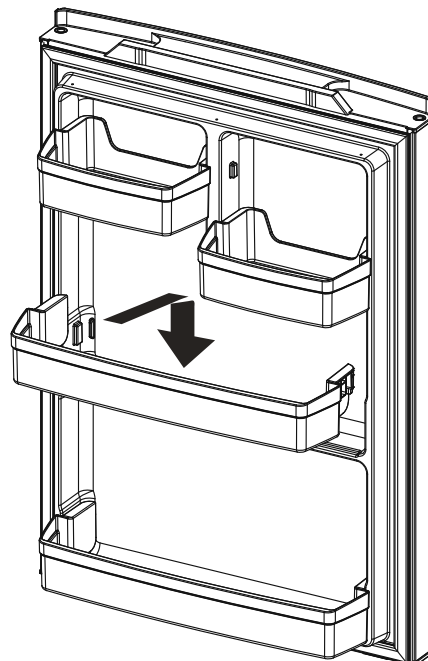
To replace: Engage the bin in the molded supports on the door and push down to lock in place.



Non-Adjustable Gallon Door Bins (on some models)

To remove: Lift the bin straight up; then pull out.

To replace: Engage the bin in the molded supports on the door and push down to lock in place.



About the pans.

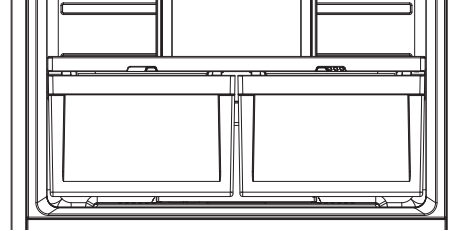
Not all features are on all models.

Climate Zone Pans

Keep fruits and vegetables organized in separate compartments for easy access. Excess water that may accumulate in the bottom of the drawers or under the drawers should be wiped dry.

To remove pan:

Slide the pan out to the stop position, lift the pan up and past the stop position and pull forward.



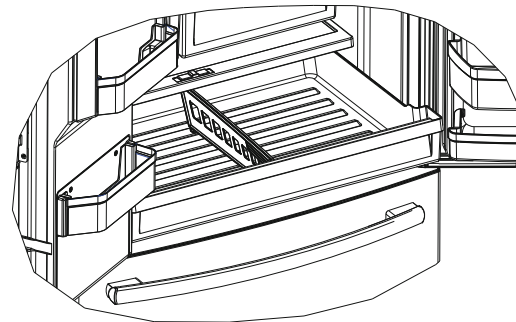
Full -Width Pan (on some models)

To remove pan:

1. Pull the pan out to the stop position.
2. Lift the front of the drawer up and out.

To replace pan:

1. Place back of the drawer in first and rotate drawer front down to seat it on the slides.
2. Push the drawer in to the closed position.



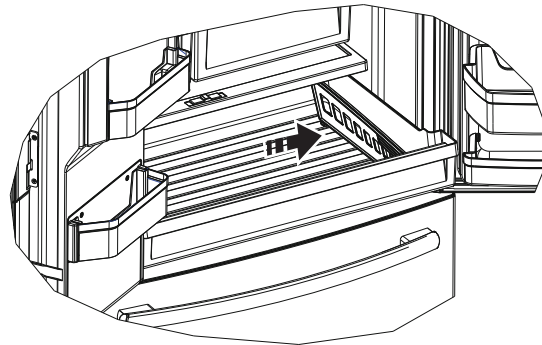
How to Remove and Replace Drawer Divider

To remove:

1. Pull the drawer out to the stop position.
2. Slide pan divider to right to release it from pan.

To replace:

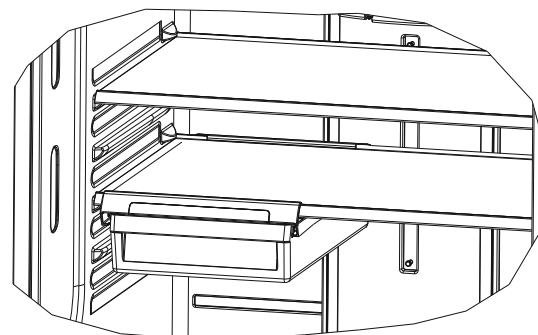
Reverse steps 1 and 2 to replace drawer divider.



Floating Snack Pan (on some models)

This pan can be moved to the most useful location for your family's needs.

To remove, slide the pan out to the stop position, lift the pan up and past the stop position and lift it out.



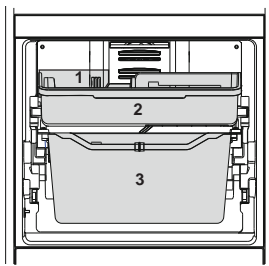
About the freezer drawer. (on some models)

Not all features are on all models.

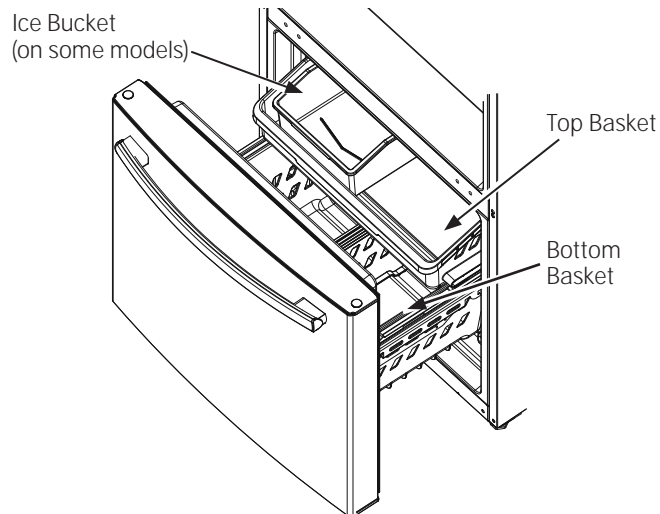
FREEZER BASKETS

1. An ice bucket in the top basket (on some models).
2. A top full-width basket.
3. A bottom full-width basket (with divider - in some models).

NOTE: Do not fill baskets higher than the rim of the basket. This may cause baskets to stick or jam when opening or closing.



Appearance and features may vary



Top Basket Removal

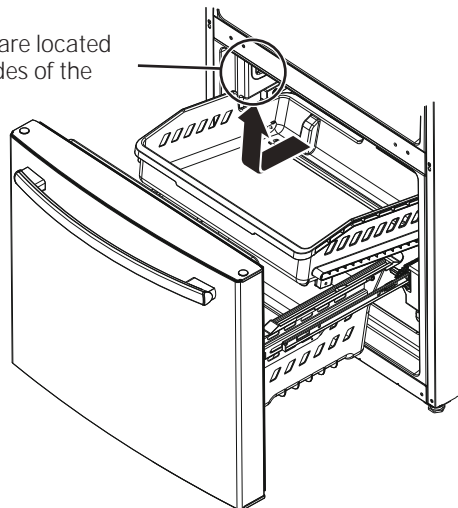
To remove the top full-width basket on freezer drawer models:

1. Pull the basket out to the stop location.
2. Lift basket up to release it from the slides.

When replacing the basket, make sure that the basket remains mounted on the side rails and over the slides of the bottom basket.

NOTE: Always be sure to fully close this basket.

LED lights are located on both sides of the freezer



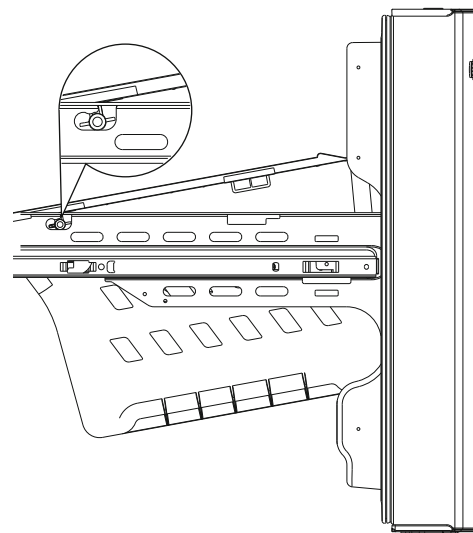
Bottom Basket Removal

To remove the bottom full-width basket on freezer drawer models:

1. Open the bottom freezer drawer until it stops.
2. Remove the top freezer basket.
3. The bottom freezer basket rests on the inside tabs on the drawer slides.
4. Lift the front of the basket and pull forward.
5. Release the pin from the slot to remove the basket.

When replacing the bottom full-width basket, tilt the basket back and lower it into the drawer. Rotate the basket to a horizontal position and press down. Make sure to place the pin back into the slot.

NOTE: Always be sure that the basket is seated on the bracket tabs before sliding the drawer back into the freezer.



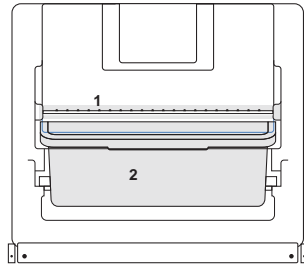
About the freezer compartment. (on some models)

Not all features are on all models.

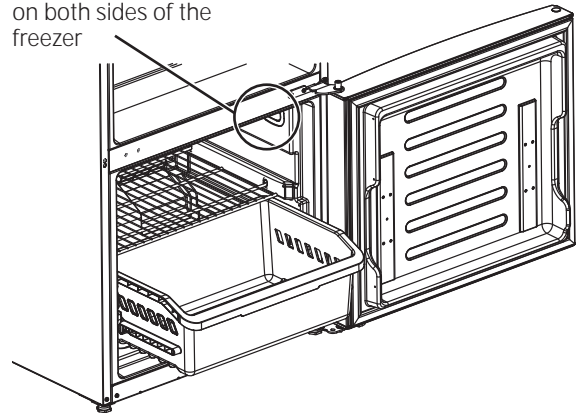
FREEZER SHELF AND BASKET

1. A full-width fixed wire shelf
2. A full-width sliding plastic basket

NOTE: Do not fill baskets higher than the rim. This may cause basket to stick or jam when opening or closing.



LED lights are located on both sides of the freezer

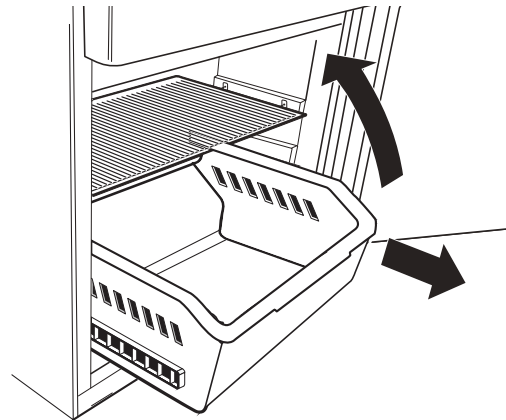


Basket Removal

To remove the full-width sliding basket on freezer door models:

1. Open the basket out to its full extension.
2. Lift up the front of the basket and pull straight out to remove.

When replacing the basket, insert the plastic basket into the lower liner rails and push back into place.

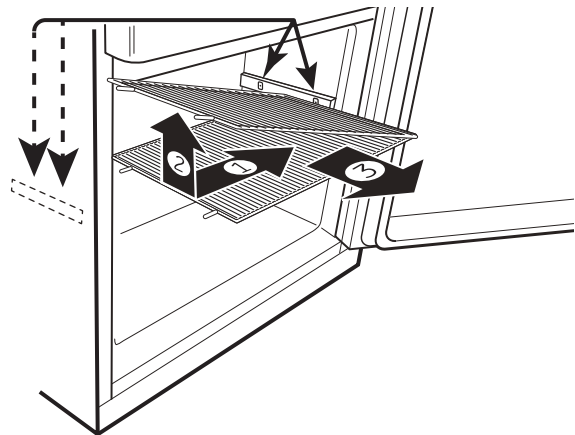


Fixed Shelf Removal

NOTE: The full-width wire shelf is not intended to slide.

To remove for cleaning, push the shelf to one side while then pull up on the opposite side and out to remove.

To replace the full-width wire shelf, insert one side of the shelf into the supports, pushing the shelf to that side until the opposite side will fit into its supports.



About the automatic ice maker.

A newly installed refrigerator may take 12 to 24 hours to begin making ice.

Automatic Ice maker (on some models)

The ice maker will produce seven cubes per cycle approximately 100–130 cubes in a 24-hour period, depending on freezer compartment temperature, room temperature, number of door openings and other use conditions.

If the refrigerator is operated before the water connection is made to the ice maker, set the power switch in the **OFF** position. When the refrigerator has been connected to the water supply, set the power switch to the **ON** position.

The ice maker will fill with water when it cools to 15°F (–10°C). A newly installed refrigerator may take 12 to 24 hours to begin making ice cubes.

You may hear a buzzing sound each time the ice maker fills with water.

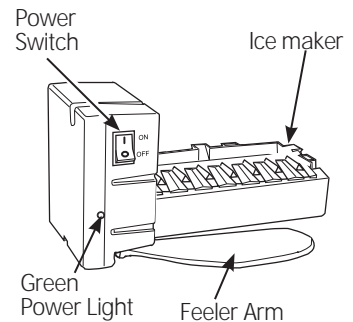
Throw away the first few batches of ice to allow the water line to clear.

Be sure nothing interferes with the sweep of the feeler arm.

When the bin fills to the level of the feeler arm, the ice maker will stop producing ice. It is normal for several cubes to be joined together.

If ice is not used frequently, old ice cubes will become cloudy, taste stale and shrink.

NOTE: In homes with lower-than-average water pressure, you may hear the ice maker cycle multiple times when making one batch of ice.

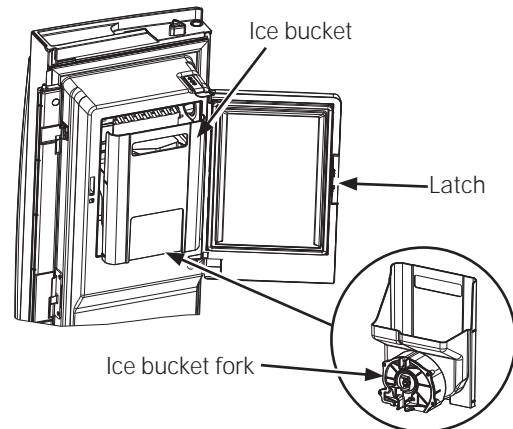


WARNING

To minimize the risk of personal injury, avoid contact with the moving parts of the ejector mechanism, or with the heating element that releases the cubes. Do not place fingers or hands on the automatic ice making mechanism while the refrigerator is plugged in.

For Refrigerator Models with Ice Maker in the Door Ice Bucket and Dispenser

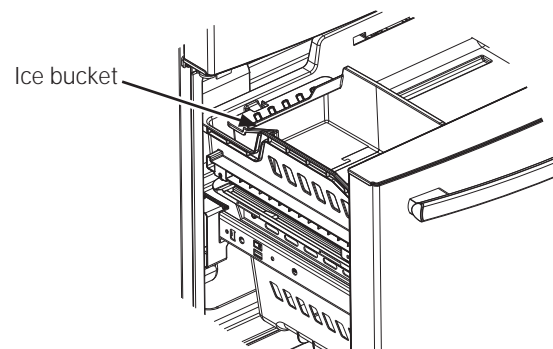
- Open the ice box door on inside of the left door.
- Pull up and out on the ice bucket in the left hand door to remove it from the compartment.
- To replace the ice bucket, set it on the guide brackets and push until the ice bucket seats properly.
- If bucket cannot be replaced, rotate the ice bucket fork 1/4 turn clockwise.
- Ice maker can be turned on and off using this display (see *About the controls* on pages 6 and 7.)



For Refrigerator Models with Ice Maker in the Freezer Compartment

Some models come with an ice maker installed in the freezer compartment. For those models that come ice-maker ready, you can purchase Kit IM-4D or IM-5D, depending on your model. Visit our website at GEAppliances.com or call GE Appliances Parts and Accessories, 800.626.2002 (in Canada visit geappliances.ca/en/products/parts-filters-accessories or call 1.800.661.1616).

There is ice storage in the freezer compartment located on the left side of the upper basket. Pull the upper basket forward to remove the ice bucket.



Care and cleaning of the refrigerator.

Cleaning the Outside

The stainless steel panels, door handles and trim.

Do not use appliance wax, polish, bleach, or other products containing chlorine on stainless steel.

Stainless steel can be cleaned with a commercially available stainless steel cleaner. A spray-on stainless steel cleaner works best.

Silver-accented plastic parts.

Wash parts with soap or other mild detergents. Wipe clean with a sponge, damp cloth or paper towel.

Do not use scouring pads, powdered cleaners, bleach or cleaners containing bleach because these products can scratch and weaken the paint finish.

Should spill tray need cleaning use lime remover.

Cleaning the Inside

Unplug the refrigerator before cleaning.

If this is not practical, wring excess moisture out of sponge or cloth when cleaning around switches, lights or controls.

Use an appliance wax polish on the inside surface between the doors.

Use warm water and baking soda solution—about a tablespoon (15 ml) of baking soda to a quart (1 liter) of water.

This both cleans and neutralizes odors. Rinse and wipe dry.

CAUTION

Do not clean glass shelves or covers with warm water when they are cold. Glass shelves and covers may break if exposed to sudden temperature changes or impact such as bumping or dropping. Tempered glass is designed to shatter into many small pieces if it breaks.

Behind the Refrigerator

Be careful when moving the refrigerator away from the wall. All types of floor coverings can be damaged, particularly cushioned coverings and those with embossed surfaces.

Raise the leveling legs located at the bottom front of the refrigerator.

Pull the refrigerator straight out and return it to position by pushing it straight in. Moving the refrigerator in a side direction may result in damage to the floor covering or refrigerator.

Lower the leveling legs until they touch the floor.

When pushing the refrigerator back, make sure you don't roll over the power cord or water supply line.

Preparing for Vacation

For long vacations or absences, remove food and unplug the refrigerator. Clean the interior with a baking soda solution of one tablespoon (15 ml) of baking soda to one quart (1 liter) of water. Leave the doors open.

If the temperature can drop below freezing, have a qualified service technician drain the water supply system to prevent serious property damage due to flooding.

- 1) Turn refrigerator off (pages 6 and 7) or unplug the refrigerator.
 - 2) Empty ice bucket
 - 3) Turn water supply off
-

If you cut the water supply off, turn off the ice maker (pg. 14).

Upon returning from vacation:

- 1) Replace the water filter.
 - 2) Run 2 gallons of water through the cold water dispenser (about 5 minutes) to flush the system.
-

Preparing to Move

Secure all loose items such as shelves and drawers by taping them securely in place to prevent damage.

When using a hand truck to move the refrigerator, do not rest the front or back of the refrigerator against the hand truck. This could damage the refrigerator.

Handle only from the sides of the refrigerator.

Be sure the refrigerator stays in an upright position during moving.

Replacing the lights

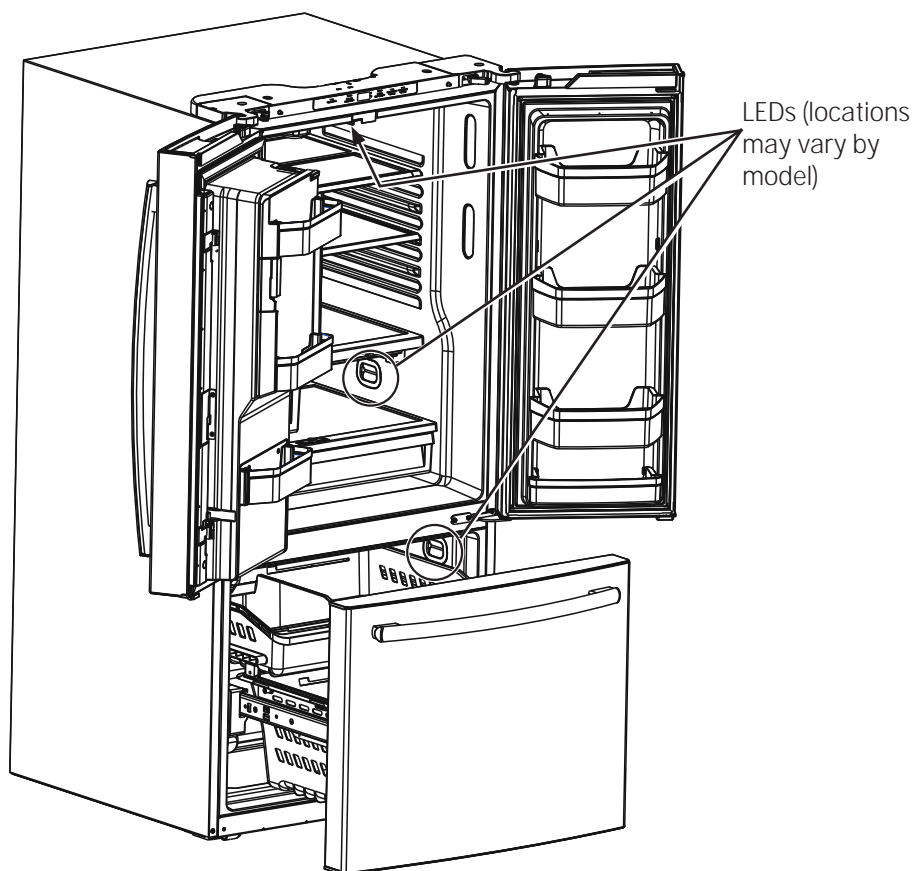
Refrigerator Lights (LEDs)

There is LED lighting in the fresh food compartment at the top center and on the left and right sides above the climate zone pans on the french door models. LED lighting is located at the top of the fresh food compartment on the single door models.

LED lights are also located at the top of the left and right sides of the freezer in all models.

An authorized technician will need to replace the LED light.

If this assembly needs to be replaced, call GE Appliances Service at 1.800.432.2737 in the United States or 1.800.561.3344 in Canada.



Installation Instructions

Refrigerator

Questions? Call 800.GE.CARES (800.432.2737) or visit our Website at: GEAppliances.com
In Canada, call 1.800.561.3344 or visit our Website at: www.GEAppliances.ca

BEFORE YOU BEGIN

Read these instructions completely and carefully.

- **IMPORTANT** – Observe all governing codes and ordinances. Save these instructions for local inspector's use.
- **Note to Installer** – Be sure to leave these instructions with the Consumer.
- **Note to Consumer** – Keep these instructions for future reference.
- **Skill level** – Installation of this appliance requires basic mechanical skills.
- **Completion time** – Refrigerator Installation
20 minutes
Water Line Installation
30 minutes
- Proper installation is the responsibility of the installer.
- Product failure due to improper installation is not covered under the Warranty.

PREPARATION

MOVING THE REFRIGERATOR INDOORS

If the refrigerator will not fit through a doorway, the refrigerator door and freezer drawer or door can be removed.

- To remove the refrigerator door, see Step 1 in the *Reversing the Door Swing* section.
- To remove the freezer drawer, see the *Removing the Freezer Drawer* section.

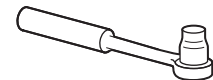
WATER SUPPLY TO THE ICE MAKER AND DISPENSER

If the refrigerator has an ice maker, it will have to be connected to a cold water line. A GE water supply kit (containing tubing, shutoff valve, fittings and instructions) is available at extra cost from your dealer, by visiting our website at GEAppliances.com (in Canada at www.GEAppliances.ca) or from Parts and Accessories, 800.626.2002 (in Canada 1.800.661.1616).

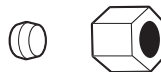
TOOLS YOU MAY NEED



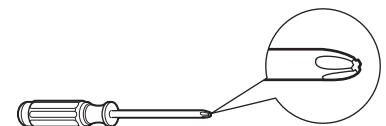
Adjustable Wrench



3/8" and 5/8" Socket Ratchet/Driver



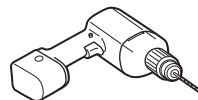
1/4" Outer Diameter Compression Nut and Ferrule (sleeve) (ice maker models only)



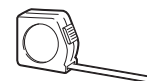
Phillips-Head Screwdriver



3/32", 1/8" & 3/16" Allen Wrenches



1/8" Drill Bit and Electric or Hand Drill



Tape Measure



Pencil



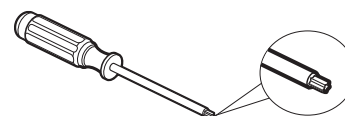
1/4" Nut Driver



Wire Cutters



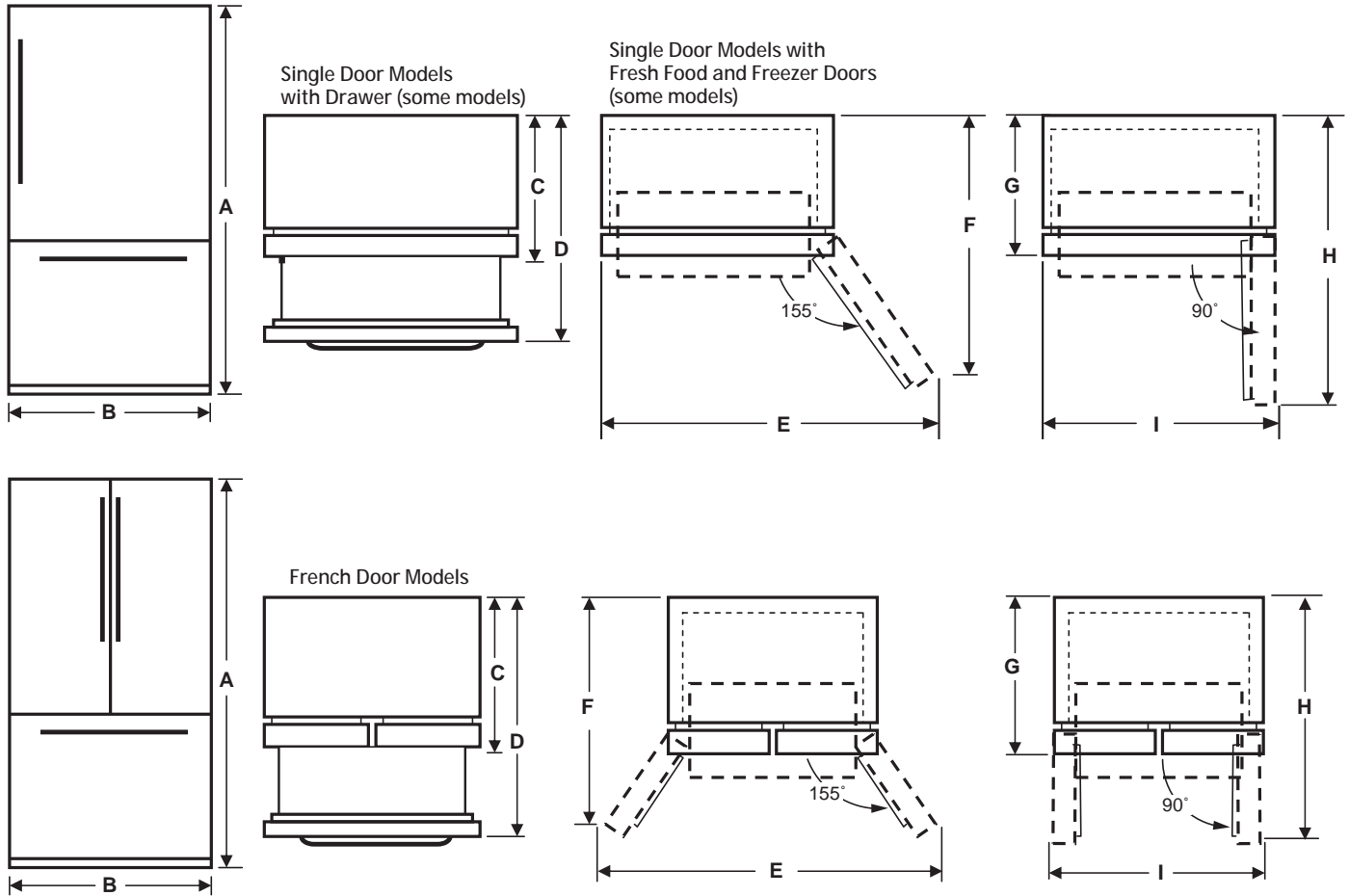
Level



Torx T20, Driver

Installation Instructions

APPLIANCE DIMENSIONS



ITEM	21 cuft models with single door	21 cuft models with french doors	25 cuft models with single door	24/25 cuft models with french doors
A*	69-7/8"	69-7/8"	69-7/8"	69-7/8"
B	30"	30"	33"	33"
C**	36-1/8"	36-3/8"	37-3/8"	37-1/8"
D**	-	54"	54-3/4"	54-3/4"
E	55"	54-7/8"	60-1/2"	60-1/2"
F	45-5/8"	37"	48"	38-3/4"
G	33-7/8"	34-3/8"	34-7/8"	35-3/8"
H	61"	45-7/8"	65"	48-3/8"
I**	33-1/2"	37-5/8"	36"	40-1/2"

NOTE:

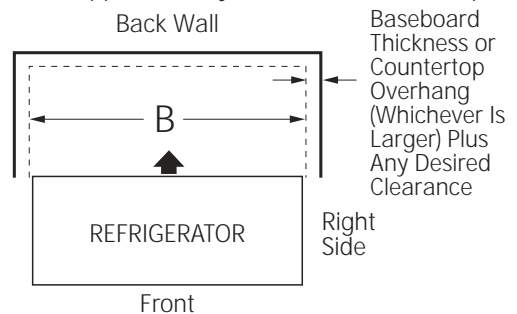
* The height of the refrigerator to the top of the door.

** Includes the handle.

MEASURE THE CABINET OPENING ACCORDING TO THE WIDTH OF THE REFRIGERATOR

Measure width of cabinet opening where refrigerator will be placed, B.

Be sure to account for any countertop overhang, baseboard thickness and any clearance desired. Width, B, should not be less than 30"-33" (depending on model). The refrigerator will be placed approximately in the middle of this opening.



Installation Instructions

INSTALLING THE REFRIGERATOR

REFRIGERATOR LOCATION

- Do not install the refrigerator where the temperature will go below 60°F (16°C) because it will not run often enough to maintain proper temperatures.
- Do not install the refrigerator where the temperature will go above 100°F (37°C) because it will not perform properly.
- Do not install the refrigerator in a location exposed to water (rain, etc.) or direct sunlight.
- Install it on a floor strong enough to support it fully loaded.

CLEARANCES

Allow the following clearances for ease of installation, proper air circulation and plumbing and electrical connections.

Sides	1/8" (3 mm)
Top	1" (25 mm) Cabinet/Hinge Cover
Back	2" (50 mm)

IMPORTANT NOTES

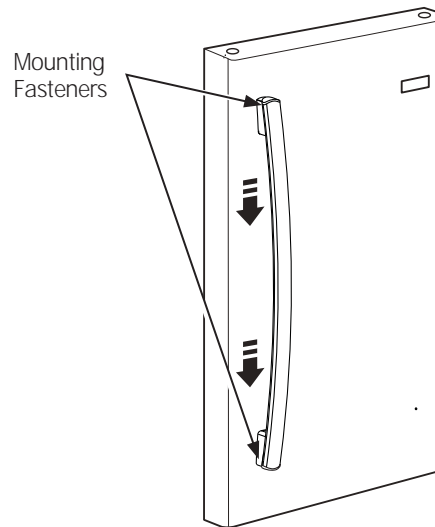
This refrigerator without the handles ranges from 34" to 35-1/4" depending on your model (see dimension G on the previous page). Doors and passageways leading to the installation location must be at least 36" in order to leave the doors attached to the refrigerator while transporting it into the installation location. If passageways are less than 36", the refrigerator doors can easily be scratched and damaged. The doors can be removed to allow the refrigerator to be safely moved indoors.

- If you need to remove the door and you have the french door model, see *Removing the French Doors* on page 20.
- If you need to remove the door and you have the single fresh food door model, see *Reversing the Door* on page 26.
- To remove the freezer door and you have the model with a freezer drawer see *Removing Freezer Drawer* on page 24.
- If you have the model with the hinged freezer door see *Reversing the Door* on page 26.
- If it is **NOT** necessary to remove doors, skip to Step 6. Leave tape and all packaging on doors until the refrigerator is in the final location. Once in place, install door handles (see Steps 1 and 2).
- **SKID REMOVAL:** Tilt refrigerator to each side to remove skid.
- **NOTE:** Use a padded hand truck to move this refrigerator. Place the refrigerator on the hand truck with a side against the truck. We strongly recommend that **TWO PEOPLE** move and complete this installation.

1 ATTACH FRESH FOOD HANDLE(S)

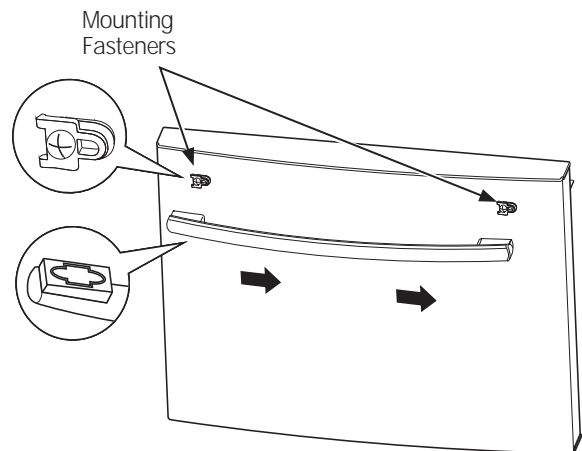
Attach the handle to the mounting fasteners by aligning the slots on the handle with the mounting fasteners. Slide the handle down until you hear a "click".

NOTE: For French Door models, follow the same procedure for both doors.



2 ATTACH FREEZER HANDLE

Attach the handle to the mounting fasteners by aligning the slots on the handle with the mounting fasteners. Slide the handle to the right until you hear a "click".



Installation Instructions

REMOVING FRENCH DOORS (on some models)

IMPORTANT NOTES

When removing french doors:

- Read the instructions all the way through before starting.
- Handles are included inside the refrigerator.
- Place the screws by their related parts to avoid using them in the wrong places.
- Provide a non-scratching work surface for the doors.

CAUTION

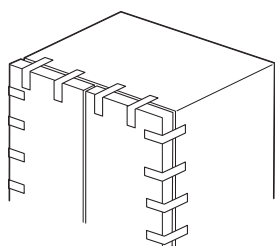
Lifting Hazard. Single person lift can cause injury. Use assistance when handling, moving or lifting the refrigerator doors.

NOTE: When moving door, to prevent damage to door and electronics carefully place the door in a proper location.

WARNING

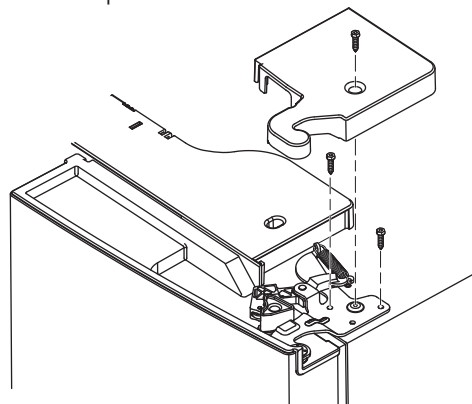
To eliminate the risk of electric shock or injury during installation, you must first unplug the refrigerator before proceeding. Failure to follow these instructions can result in electrical shock.

Tape the doors shut with adhesive tape.



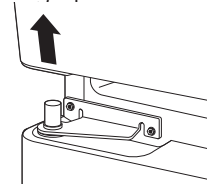
1 REMOVING RIGHT DOOR

- A. Remove the hinge cover on top of the right fresh food door by removing the screw using a Phillips screwdriver.



- B Using a 5/16" socket ratchet/driver, remove the bolts securing the top hinge to the cabinet. Lift the hinge support straight up to free the hinge pin from the socket in the top of the door.

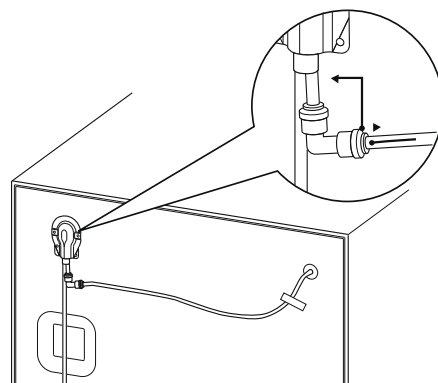
- C. Remove the tape from the right door and tilt the door away from the cabinet. Lift the door off the center hinge pin.



- D. Set the door on a non-scratching surface with the inside up.

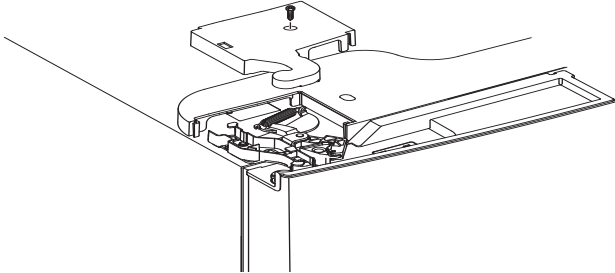
2 REMOVING LEFT DOOR

- A. For Ice and Water Models Only: Unplug the water line from the back of the refrigerator and remove all tape that fixes the water line to the refrigerator.



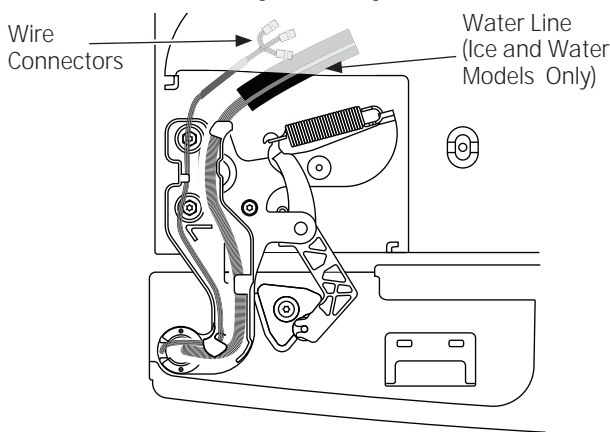
Installation Instructions

- B. Remove the hinge cover on top of the left fresh food door by removing the screw using a Phillips screwdriver.

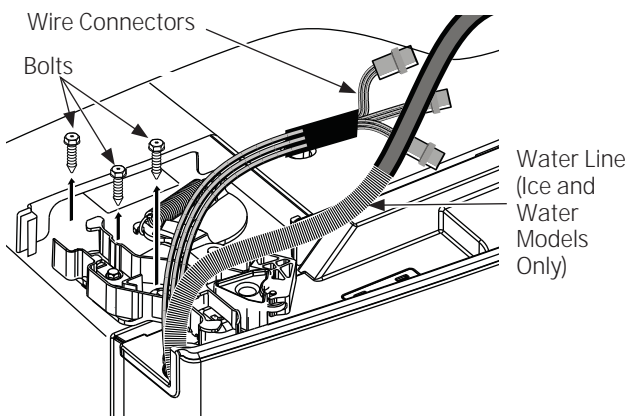


- C. Unplug the 3 wire connectors and move the wires until you can see the screws holding the hinge.

For Ice and Water Models Only: Pull the water line very carefully.

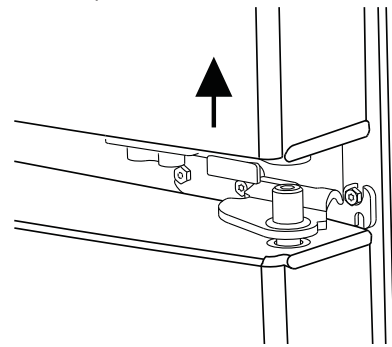


- D. Using a 5/16" socket/ratchet driver, remove the bolts securing the top hinge to the cabinet.



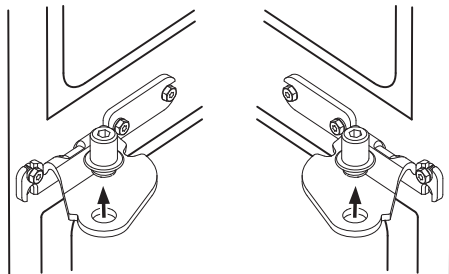
For NON Ice and Water Models Only: Lift the hinge straight up to free the hinge pin from the socket in the top of the door and pass the wire through the slot in the hinge. **For Ice and Water Models Only:** Do not remove hinge from the door.

- E. Remove the tape from the door, open the door 90 degrees and tilt the door away from the cabinet. Lift the door off the center hinge pin.
- F. Set the door on a non-scratching surface with the inside up.

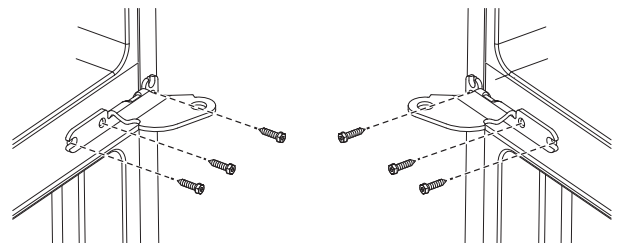


3 REMOVING CENTER HINGES AND BRACKETS

- A. Using a 1/4" Allen wrench, remove the 2 hinge pins from the hinge brackets.



- B. Using a 5/16" socket/ratchet driver, remove the bolts securing the center hinge brackets to the cabinet.



Installation Instructions

REINSTALLING THE FRENCH DOORS (on some models)

IMPORTANT NOTES

When replacing the french doors:

- Read the instructions all the way through before starting.

⚠ CAUTION

Lifting Hazard. Single person lift can cause injury. Use assistance when handling, moving or lifting the refrigerator doors.

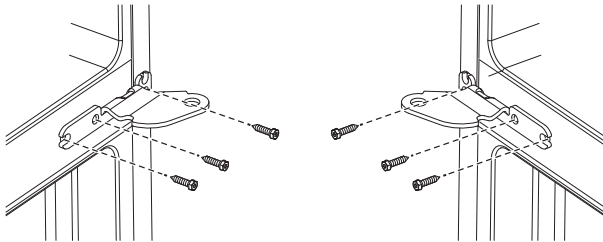
NOTE: When moving door, to prevent damage to door and electronics carefully place the door in a proper location.

⚠ WARNING

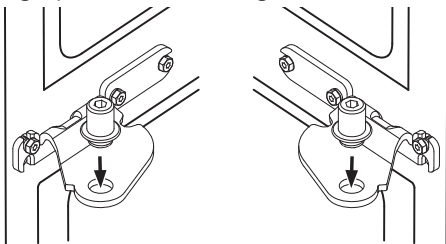
To eliminate the risk of electric shock or injury during installation, you must first unplug the refrigerator before proceeding. Failure to follow these instructions can result in electrical shock.

1 REINSTALLING CENTER HINGE BRACKETS AND HINGES

- A. Using a 5/16" socket/ratchet driver, reinstall the bolts and center hinge brackets to the cabinet.

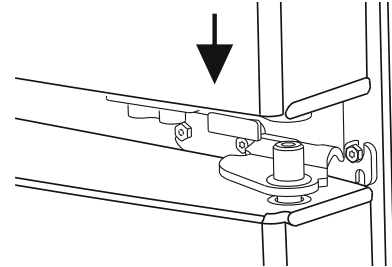


- B. Using a 1/4" Allen wrench, reinstall the 2 hinge pins into the hinge brackets.

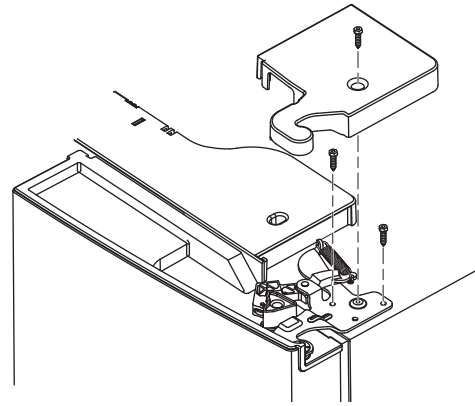


2 REHANGING THE RIGHT DOOR

- A. Lower the refrigerator door onto the right hinge pin.



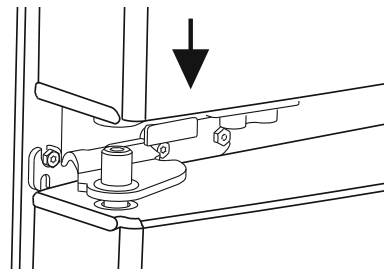
- B. Make sure the door is aligned with the cabinet. Attach the hinge to the top of the cabinet loosely with bolts removed earlier.
- C. Make sure the gasket on the door is flush against the cabinet and is not folded. Tighten the bolts to 60 lb/in.



- D. Replace the right hinge cover on top of the refrigerator using a Phillips screwdriver.

3 REHANGING THE LEFT DOOR

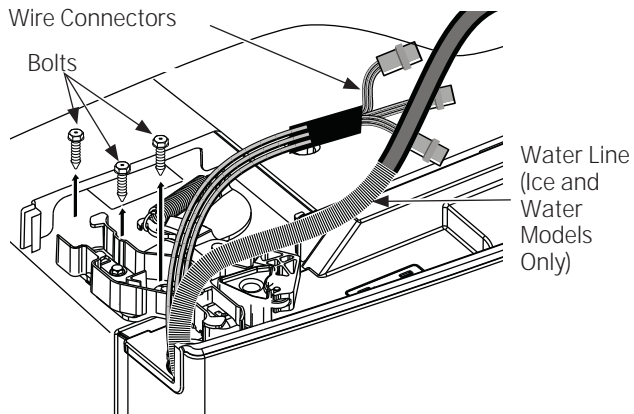
- A. For **NON Ice and Water Models Only**: Pass the wire through the slot in the hinge. Place the hinge pin into the top of the door.
- B. Lower the refrigerator door onto the left hinge pin.



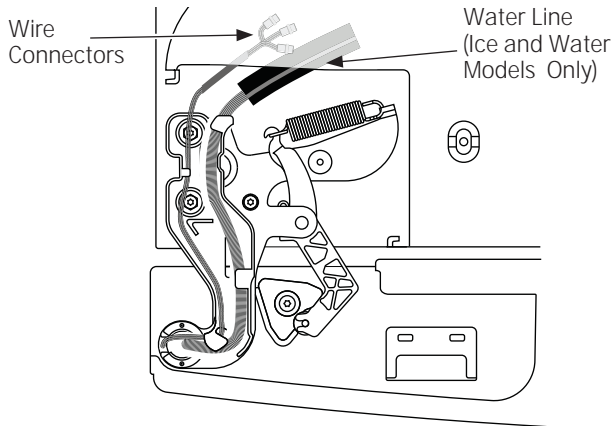
Installation Instructions

C. Make sure the door is aligned with the cabinet. Attach the hinge to the top of the cabinet loosely with bolts removed earlier.

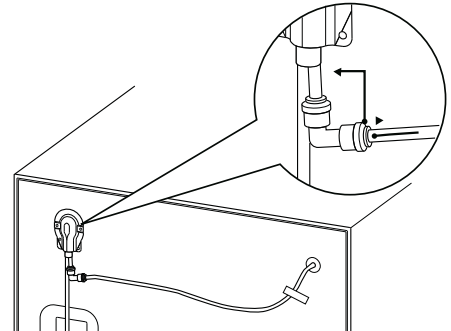
D. Make sure the gasket on the door is flush against the cabinet and is not folded. Tighten the bolts to 60 lb/in.



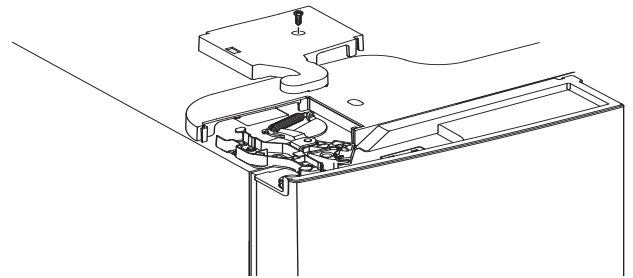
E. Plug the wire connectors together and route the wire inside the plastic port.



F. For Ice and Water Models Only: Put the water line into the hole and pass through the plastic port to the back of the refrigerator. Plug the water line back into the fixture on back of the refrigerator. Tape water line to the refrigerator.



G. Replace the left hinge cover on top of the refrigerator using a Phillips screwdriver.



Installation Instructions

REMOVING FREEZER DRAWER (on some models)

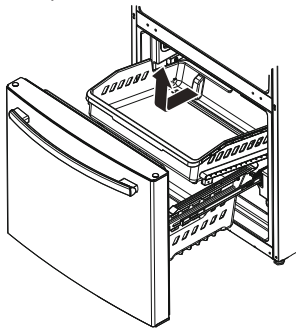
IMPORTANT NOTES

When removing freezer drawer:

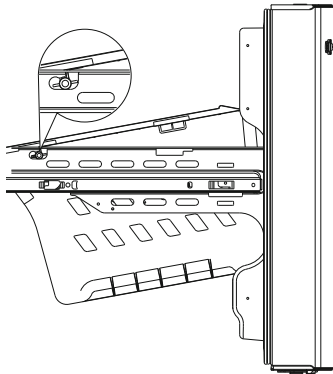
- Read the instructions all the way through before starting.
- Provide a non-scratching work surface for the doors.

1 REMOVE THE BASKETS

- A. Open the freezer drawer until it stops.
- B. Pull the top basket out until it stops. Lift the basket up on the front and out to remove.

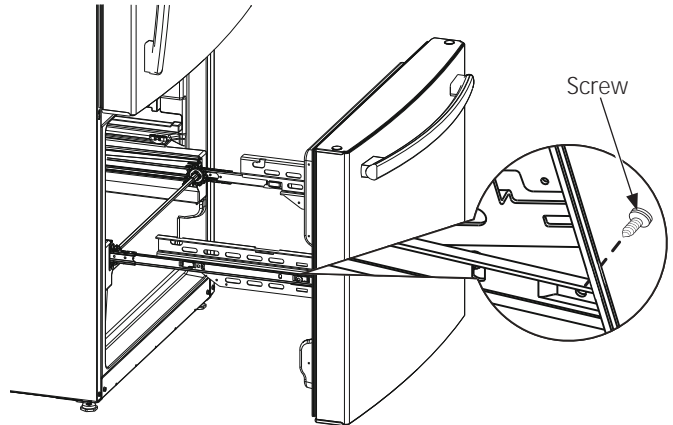


- C. The lower basket rests on a frame inside the freezer drawer. Lift the front of the basket and pull it forward. Release the pins from the slots on the frame to remove the basket.

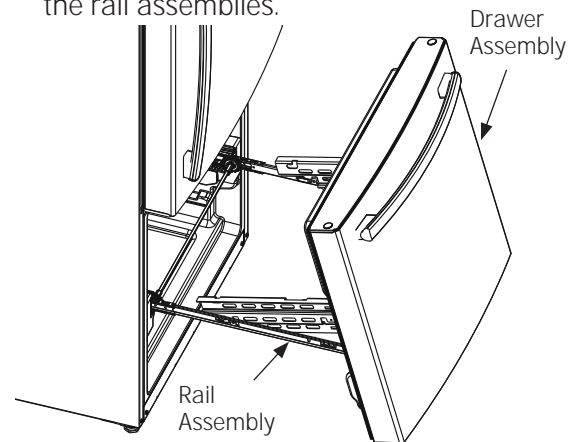


2 REMOVE THE DRAWER FRONT

- A. Remove the screw on each side of the railing.



- B. Lift up on both sides of the freezer drawer handle to separate the drawer railings from the rail assemblies.

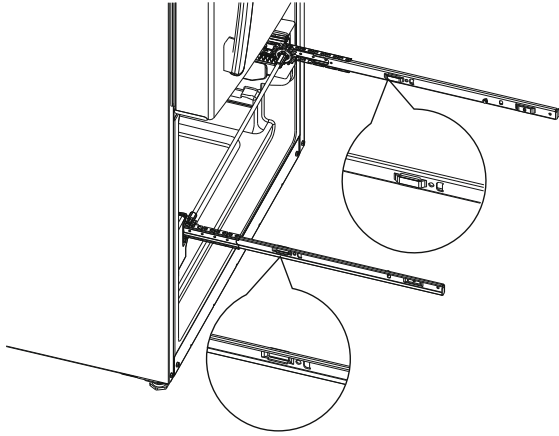


- C. Set the drawer front on a non-scratching surface.
- D. Push the rail assemblies back into locking position.

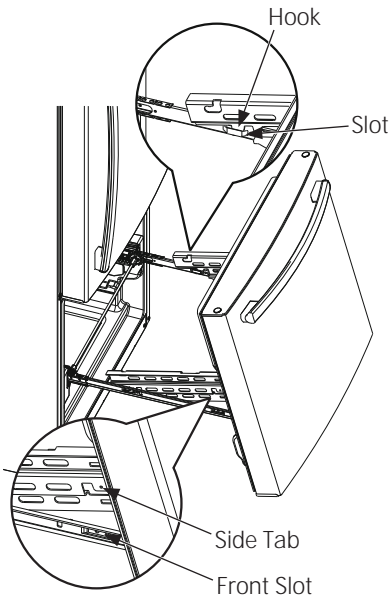
Installation Instructions

3 REINSTALL FREEZER DRAWER FRONT

- A. Pull the rail assemblies to the maximum extension.
- B. Locate the slots on the inside of each slide.

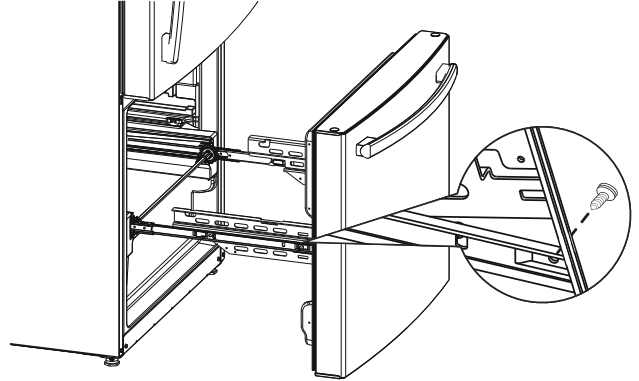


- C. Insert the hooks on the ends of the drawer assembly extensions into the slots near the back of the slides.



- D. Lower the front end of the freezer drawer assembly so the side tabs fit into the front slots on the rail assemblies.

- E. Replace the safety screws in both sides of the slide assemblies.



- F. Replace lower and upper baskets (see *About freezer drawer*, page 12).

Installation Instructions

REVERSING THE DOOR (on some models)

IMPORTANT NOTES

When reversing doors:

- Read the instructions all the way through before starting.
- Logo badge, handles, plugs and right hinge cover are included inside the refrigerator (some models).
- Place the screws by their related parts to avoid using them in the wrong places.
- Provide a non-scratching work surface for the doors.

⚠ CAUTION

Lifting Hazard. Single person lift can cause injury. Use assistance when handling, moving or lifting the refrigerator doors.

NOTE: When removing door, to prevent damage to door and electronics carefully place the door in a proper location.

NOTE: The lower door hinge pin and hinge are keyed and must be matched correctly for the door to self close properly. Please follow directions carefully.

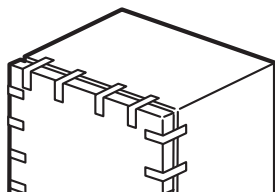
Freezer door is heavy. Use both hands to secure the door before lifting.

⚠ WARNING

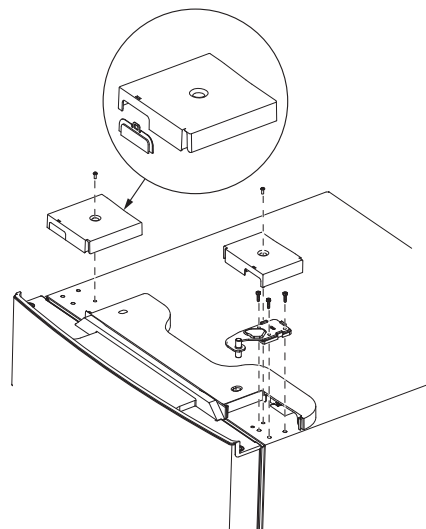
To eliminate the risk of electric shock or injury during installation, you must first unplug the refrigerator before proceeding. Failure to follow these instructions can result in electrical shock.

1 REMOVE THE REFRIGERATOR DOORS

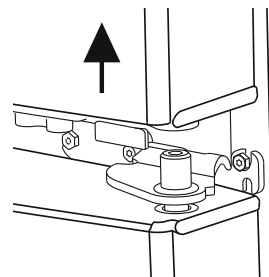
- A. Tape the door shut with masking tape.



- B. Remove right and left hinge covers on top of the refrigerator using a Phillips screwdriver.



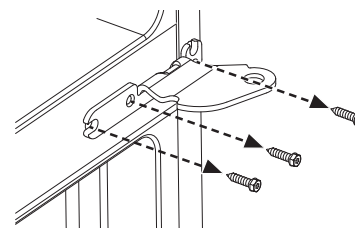
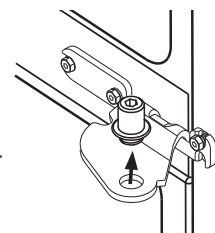
- C. Using a 5/16" socket/ratchet driver, remove the bolts securing the top hinge to the cabinet. Lift the hinge straight up to remove.



- D. Remove the tape and tilt the fresh food door away from the cabinet. Lift the door off of the center hinge pin.
- E. Set the fresh food door on a non-scratching surface with the inside up.

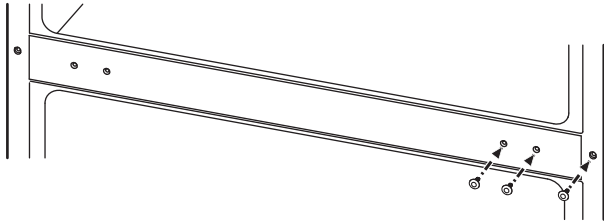
For Models With a Freezer DRAWER:

- F. Using a 1/4" Allen wrench, remove the hinge pin from the hinge bracket. The hinge pin will be used again on the opposite side.
- G. Using a 5/16" socket/ratchet driver, remove the bolts securing the center hinge to the cabinet.

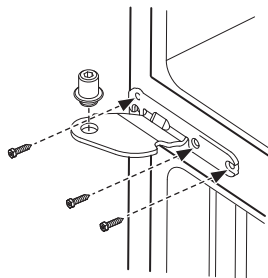


Installation Instructions

- H. Remove the button plugs on the left side of the cabinet across from where the hinge bracket was located and install in the holes where the bracket was removed.



- I. Flip the center hinge bracket and install on the left side of the cabinet where the button plugs were removed.

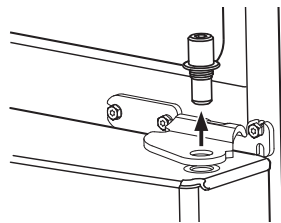


- J. Using a 1/4" Allen wrench, install the hinge pin into the center hinge bracket.

For Models With a Freezer DOOR:

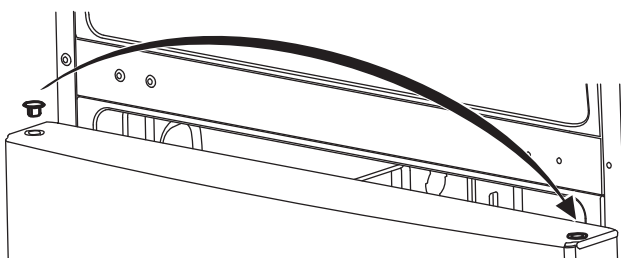
- F. Tape the freezer door shut with adhesive tape.

- G. Using a 1/4" Allen wrench, remove the hinge pin from the hinge bracket. The hinge pin will be used again on the opposite side.



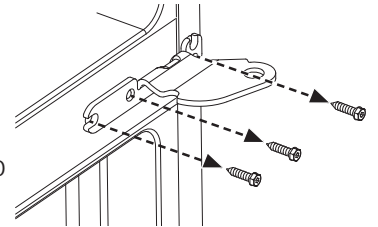
- H. Remove the tape and tilt the door away from the cabinet. Lift the door off of the bottom hinge pin.

- I. Using a thing-blade screwdriver remove the button plug from the top left side of the door and install it on the opposite side.

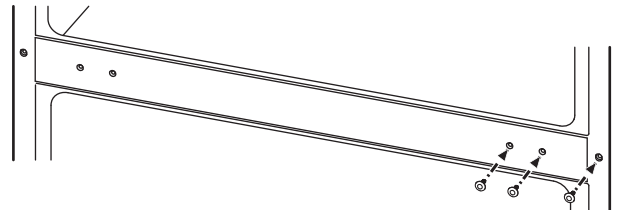


- J. Set the door on a non-scratching surface with the inside up.

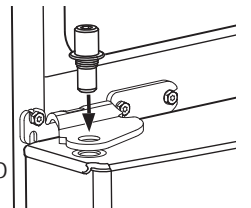
- K. Using a 5/16" socket/ratchet driver, remove the bolts securing the center hinge to the cabinet.



- L. Locate the button plugs in the kit and install them in the opposite side of center hinge.

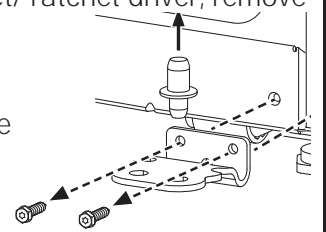


- M. Flip the center hinge bracket. Using a 5/16" socket/ratchet driver, install the center hinge bolt on the left side of the cabinet and torque to 60 in-lb.

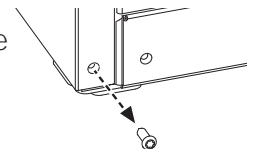


- N. Using a 1/4" Allen wrench, install the hinge pin into the center hinge bracket. Do not let the pin go past the bottom of the bracket.

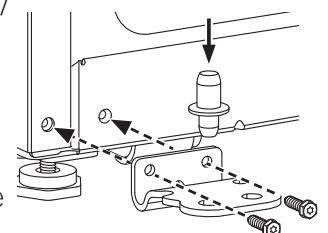
- O. Using a 5/16" socket/ ratchet driver, remove the screws from the bottom hinge bracket. These will be reinstalled on the other side. Pull up on the hinge pin to remove.



- P. Using a Torx T-20 screwdriver, remove the screw from the cabinet and install it on the other side.



- Q. Using 5/16" socket/ ratchet driver, install the bottom hinge bracket and torque the screws to 60 in-lb. Remount the hinge and pin in the opposite hole on the cabinet.

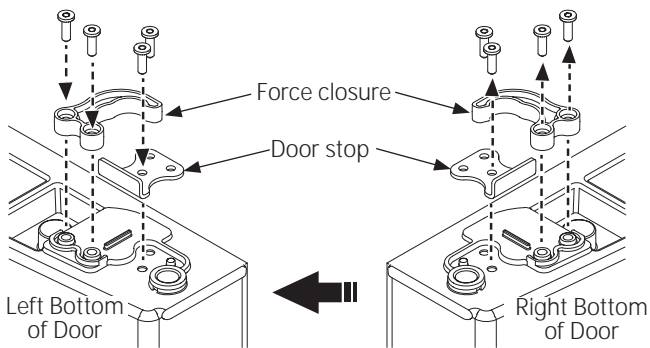


Installation Instructions

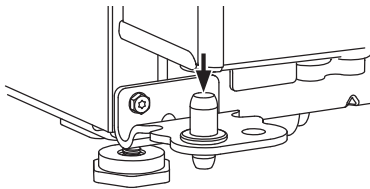
REVERSING THE DOOR (Cont.)

2 REINSTALL FREEZER DOOR.

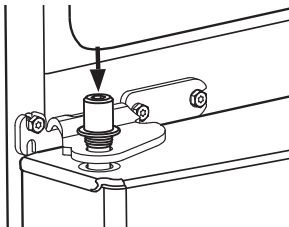
- Using a Torx T-20 screwdriver, remove the bolts securing the door stop on the bottom right of the door.
- Using a Trox T-20 screwdriver, remove the plastic force closure on the bottom right of the door.
- Flip the plastic force closure and mount it to the bottom left of the door.
- Install the door stop to the bottom left of the door.



- Lower the freezer door and make sure to insert the hinge pin in the bottom hole of the door.

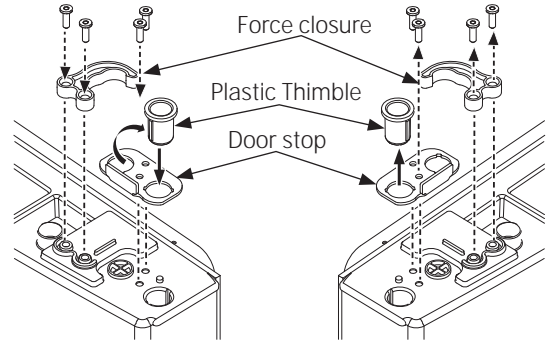


- Straighten the door and line it up with the center hinge bracket. Using a 1/4" Allen wrench, turn the hinge pin until it extends through the hinge bracket and into the door.

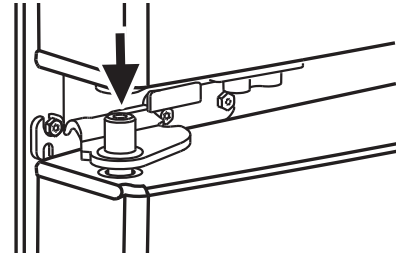


3 REINSTALL FRESH FOOD DOOR.

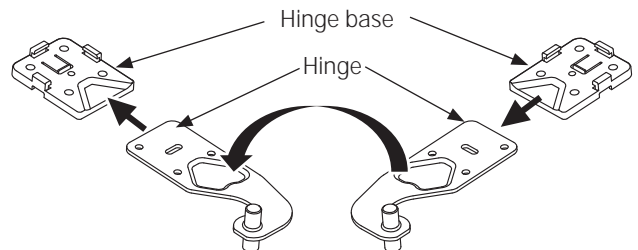
- Using a Torx T-20 screwdriver, remove the bolts securing the door stop on the bottom right of the door.



- Transfer the plastic thimble to the opposite hole. Install the door stop with the plastic thimble on the opposite side.
- Using a Trox T-20 screwdriver, remove the plastic force closure on the bottom right of the door.
- Flip the plastic force closure and mount it to the bottom left of the door.
- Install the door stop to the bottom left of the door.
- Lower the fresh food door and make sure to insert the hinge pin in the bottom hole of the door.



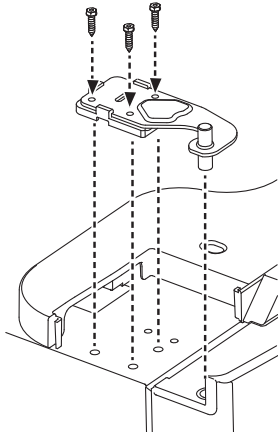
- Remove the hinge base from the hinge. Flip the hinge over and remount to hinge base.



Installation Instructions

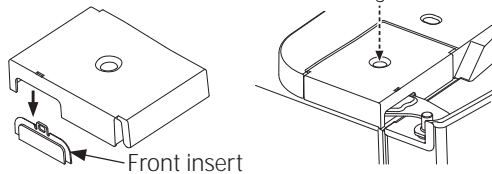
- H. Insert the top hinge pin inside the hole in the top left of the fresh food door. Make sure the door is aligned with the cabinet. Attach the hinge to the top of the cabinet loosely with the bolts that were removed previously.

Make sure the gasket on the door is flush against the cabinet and not folded. Support the door on the handle side and make sure the door is straight and the gap between the doors is even across the front. While holding the door in place, tighten the screws to 60 in-lb.

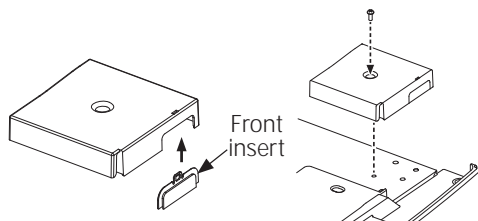


For Models with a Freezer DRAWER:

- I. Remove the front insert from the left hinge cover. Install the left hinge cover using a Phillips screwdriver and the screw removed earlier.

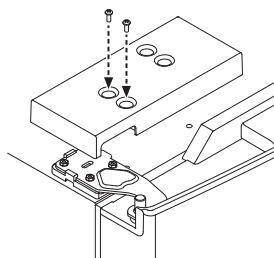


- J. Install the front insert into the right hinge cover. Install the right hinge cover using a Phillips screwdriver and the screws removed earlier.

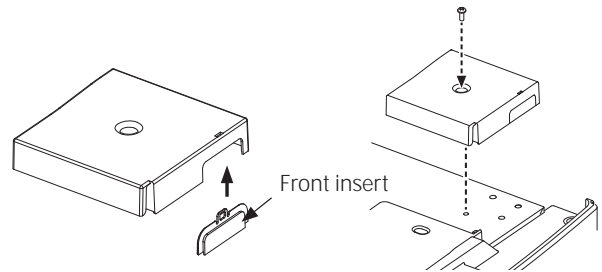


For Models with a Freezer DOOR:

- I. Locate the left hinge cover that comes with the kit. Using a Phillips screwdriver, install the cover with the screws provided.



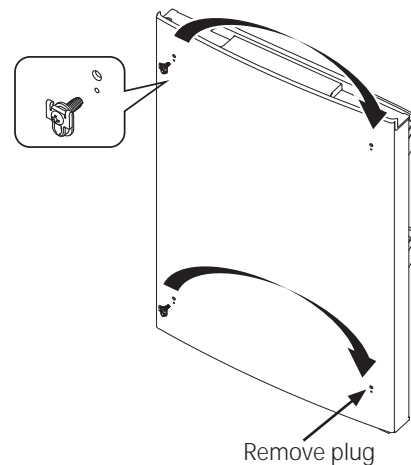
- J. Locate the insert for the right hinge cover that comes with the kit and install.



- K. Using a Phillips screwdriver, install the right hinge cover with screws provided.

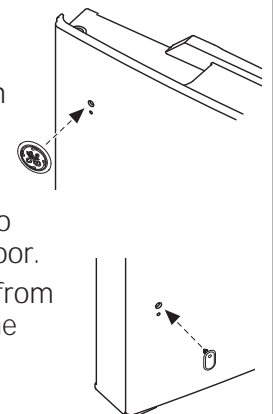
4 TRANSFER HANDLE MOUNTING FASTENERS

- A. Remove the plug from the lower right whole.
B. Using a Phillips screwdriver remove the screws holding the mounting brackets from the left side and install them on the right side.



5 INSTALLING LOGO BADGE

- A. Locate the new logo badge from the kit. Remove the adhesive backing paper and align the pins on the back of the badge with the holes in the door. Apply pressure to the badge to ensure it sticks to the door.
B. Locate the button plug from the kit and install it in the opposite side of handle.



Installation Instructions

INSTALLING THE REFRIGERATOR (cont.)

6 CONNECTING THE REFRIGERATOR TO THE HOUSE WATER LINE

(Icemaker models only)

A cold water supply is required for automatic ice maker operation. If there is not a cold water supply, you will need to provide one. See Installing the Water Line section.

NOTES:

- Before making the connection to the refrigerator, be sure the refrigerator power cord is not plugged into the wall outlet.
- If your refrigerator does not have a water filter, we recommend installing one if your water supply has sand or particles that could clog the screen of the refrigerator's water valve. Install it in the water line near the refrigerator. If using GE SmartConnect™ Refrigerator Tubing Kit, you will need an additional tube (WX08X10002) to connect the filter. Do not cut plastic tube to install filter.
- Before connecting the water line to the house, purge the house line for at least 2 minutes.

A. If you are using copper tubing, place a compression nut and ferrule (sleeve) onto the end of the tubing coming from the house cold water supply.

If you are using the GE SmartConnect™ tubing, the nuts are already assembled to the tubing.

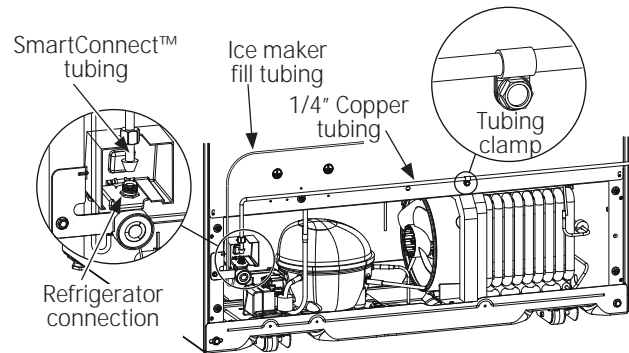
B. If you are using copper tubing, insert the end of the tubing into the refrigerator connection, at the back of the refrigerator, as far as possible. While holding the tubing, tighten the fitting.

If you are using GE SmartConnect™ tubing, insert the molded end of the tubing into the refrigerator connection, at the back of the refrigerator, and tighten the compression nut until it is hand tight. Then tighten one additional turn with a wrench. Over tightening may cause leaks.

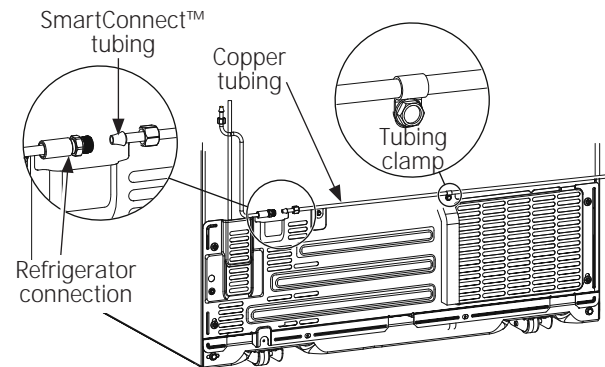
C. Fasten the tubing into the clamp provided to hold it in position. You may need to pry open the clamp.

One of the illustrations below will look like the connection on your refrigerator.

Icemaker-Ready Models



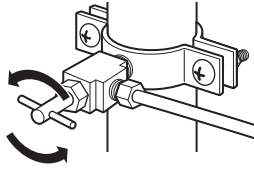
Icemaker-Installed Models



Installation Instructions

7 TURN ON THE WATER SUPPLY (Icemaker models)

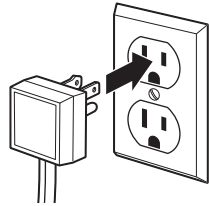
Turn the water on at the shutoff valve (house water supply) and check for any leaks.



8 PLUG IN THE REFRIGERATOR

On models with an icemaker, before plugging in the refrigerator, make sure the icemaker power switch is set to the 0 (off) position.

See the grounding information attached to the power cord.



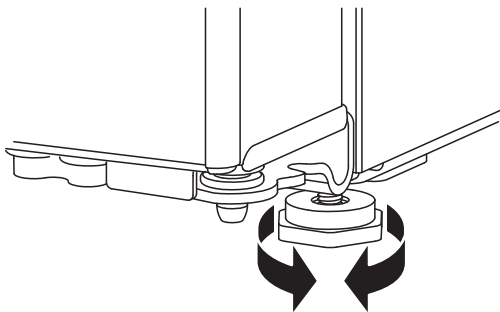
9 PUT THE REFRIGERATOR IN PLACE

Move the refrigerator to its final location.

10 LEVEL THE REFRIGERATOR

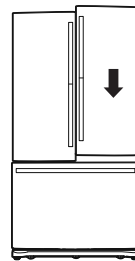
Adjustable legs at the front corners of the refrigerator should be set so the refrigerator is firmly positioned on the floor, and the front is raised just enough that the door closes easily when opened about halfway.

To adjust the leveling legs, turn the legs **clockwise to raise** the refrigerator, **counterclockwise to lower** it.

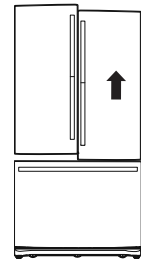


11 LEVEL THE REFRIGERATOR DOORS (on some models)

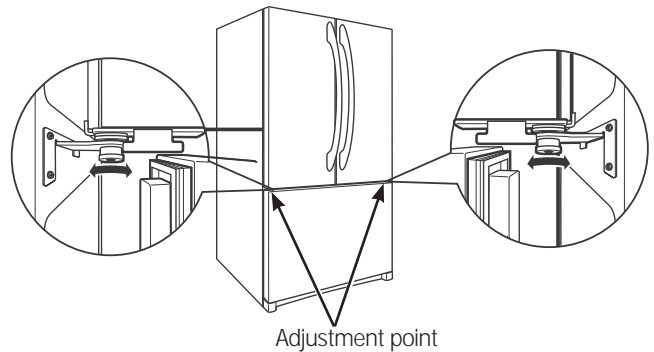
Remember a level refrigerator is necessary for getting the doors perfectly even. If you need help, review the previous section on leveling the refrigerator.



When the left door is lower than the right door.



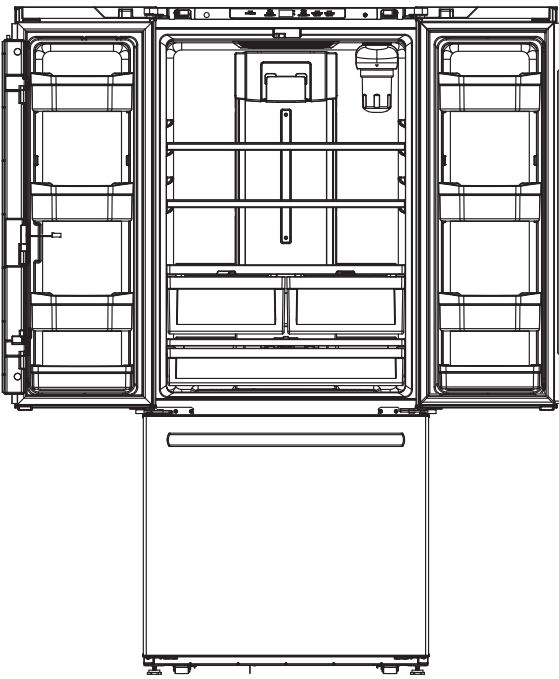
When the left door is higher than the right door.



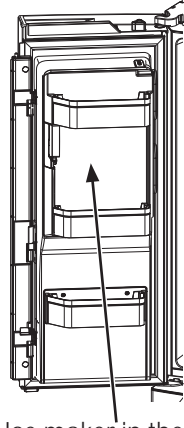
If the doors remain uneven, turn the adjustable pin to raise the lowest door using a 1/4" allen wrench to turn the pin.

Installation Instructions

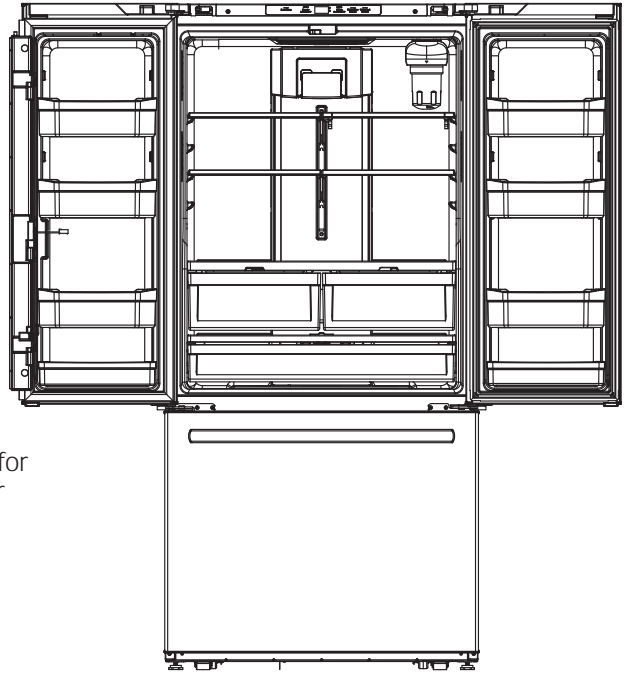
Refrigerator suggested assembly.
Shelves shown in the location for best energy efficiency.



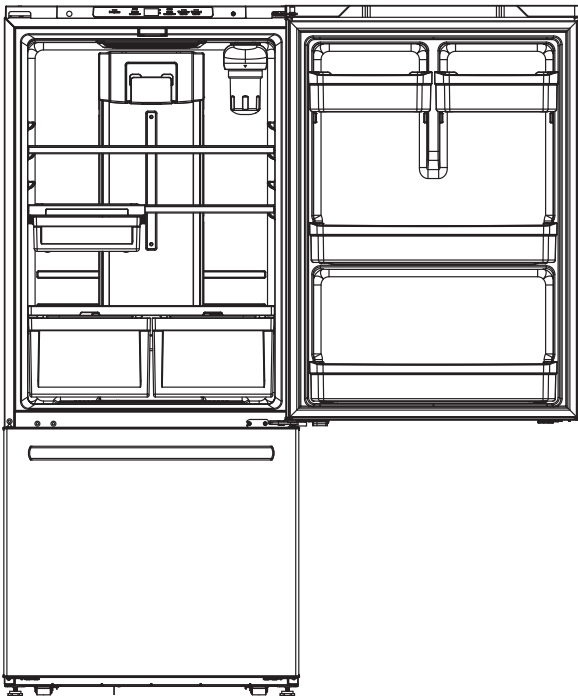
GNE21 Models
French Door with Freezer Drawer



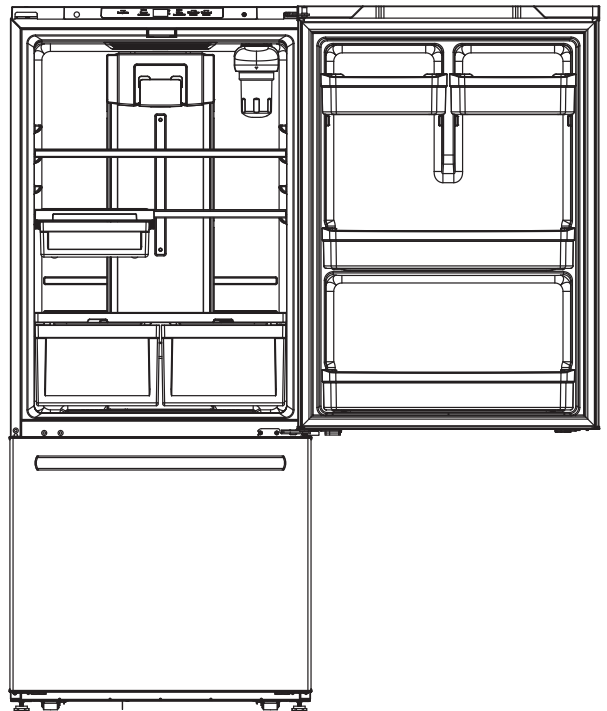
Ice maker in the door is available for all 24 french door models.



GFE24, PFE24, CFE24, GNE25, PNE25,
CNE25 Models
French Door with Freezer Drawer



GDE21, GDE25 Models
Single Door with Freezer Drawer



GBE21, ABE21 Models
Single Door with Freezer Door

Installation Instructions

INSTALLING THE WATER LINE

BEFORE YOU BEGIN

Recommended copper water supply kits are WX8X2, WX8X3 or WX8X4, depending on the amount of tubing you need. Approved plastic water supply lines are GE SmartConnect™ Refrigerator Tubing (WX08X10006, WX08X10015 and WX08X10025).

When connecting your refrigerator to a GE Reverse Osmosis Water System, the only approved installation is with a GE Appliances RVKit. For other reverse osmosis water systems, follow the manufacturer's recommendations.

If the water supply to the refrigerator is from a Reverse Osmosis Water Filtration System (RO) AND the refrigerator also has a water filter, use the refrigerator's filter bypass plug. Using the refrigerator's water filtration cartridge in conjunction with an RO water filter can result in hollow ice cubes. Some models do not come equipped with the filter bypass plug. To obtain a free bypass plug, call 800-GEARES. In Canada call 800.561.3344.

This water line installation is not warranted by the refrigerator or ice maker manufacturer. Follow these instructions carefully to minimize the risk of expensive water damage.

Water hammer (water banging in the pipes) in house plumbing can cause damage to refrigerator parts and lead to water leakage or flooding. Call a qualified plumber to correct water hammer before installing the water supply line to the refrigerator.

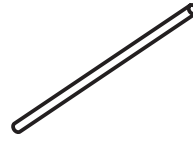
To prevent burns and product damage, do not hook up the water line to the hot water line.

Do not install the ice maker tubing in areas where temperatures fall below freezing.

When using any electrical device (such as a power drill) during installation, be sure the device is double insulated or grounded in a manner to prevent the hazard of electric shock, or is battery powered.

All installations must be in accordance with local plumbing code requirements.

WHAT YOU WILL NEED



- Copper or GE SmartConnect™ Refrigerator Tubing kit, 1/4" outer diameter to connect the refrigerator to the water supply. If using copper, be sure both ends of the tubing are cut square.

To determine how much tubing you need: measure the distance from the water valve on the back of the refrigerator to the water supply pipe. Be sure there is sufficient extra tubing to allow the refrigerator to move out from the wall after installation.

GE SmartConnect™ Refrigerator Tubing Kits are available in the following lengths:

6' (1.8 m)	– WX08X10006
15' (4.6 m)	– WX08X10015
25' (7.6 m)	– WX08X10025

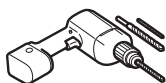
Installation Instructions

INSTALLING THE WATER LINE (cont.)

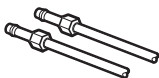
WHAT YOU WILL NEED (CONT.)

NOTE: The only GE Appliances approved plastic tubing is that supplied in GE SmartConnect™ Refrigerator Tubing kits. Do not use any other plastic water supply line because the line is under pressure at all times. Certain types of plastic will crack or rupture with age and cause water damage to your home.

- A GE Appliances water supply kit (containing tubing, shutoff valve and fittings listed below) is available at extra cost from your dealer or from Parts and Accessories, 800.626.2002 (in Canada 1.800.661.1616).
- A cold water supply. The water pressure must be between 20 and 120 p.s.i. (1.4–8.1 bar).



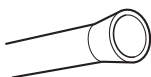
- Power drill.
- 1/2" or adjustable wrench.
- Straight and Phillips blade screwdriver.



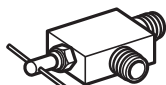
- Two 1/4" outer diameter compression nuts and 2 ferrules (sleeves)—to connect the copper tubing to the shutoff valve and the refrigerator water valve.

OR

- If you are using a GE SmartConnect™ Refrigerator Tubing kit, the necessary fittings are preassembled to the tubing.



- If your existing copper water line has a flared fitting at the end, you will need an adapter (available at plumbing supply stores) to connect the water line to the refrigerator OR you can cut off the flared fitting with a tube cutter and then use a compression fitting. Do not cut formed end from GE SmartConnect™ Refrigerator tubing.



- Shutoff valve to connect to the cold water line. The shutoff valve should have a water inlet with a minimum inside diameter of 5/32" at the point of connection to the COLD WATER LINE. Saddle-type shutoff valves are included in many water supply kits. Before purchasing, make sure a saddle-type valve complies with your local plumbing codes.

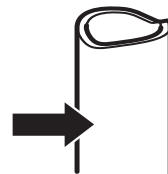
Install the shutoff valve on the nearest frequently used drinking water line.

1 SHUT OFF THE MAIN WATER SUPPLY

Turn on the nearest faucet long enough to clear the line of water.

2 CHOOSE THE VALVE LOCATION

Choose a location for the valve that is easily accessible. It is best to connect into the side of a vertical water pipe. When it is necessary to connect into a horizontal water pipe, make the connection to the top or side, rather than at the bottom, to avoid drawing off any sediment from the water pipe.

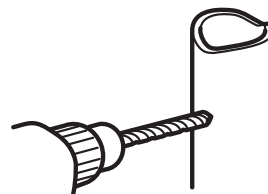


3 DRILL THE HOLE FOR THE VALVE

Drill a 1/4" hole in the water pipe (even if using a self-piercing valve), using a sharp bit. Remove any burrs resulting from drilling the hole in the pipe.

Take care not to allow water to drain into the drill.

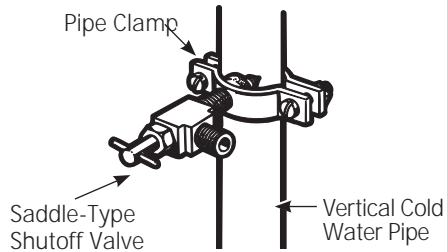
Failure to drill a 1/4" hole may result in reduced ice production or smaller cubes.



Installation Instructions

4 FASTEN THE SHUTOFF VALVE

Fasten the shutoff valve to the cold water pipe with the pipe clamp.

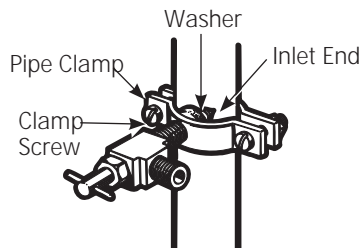


NOTE: Commonwealth of Massachusetts Plumbing Codes 248CMR shall be adhered to. Saddle valves are illegal and use is not permitted in Massachusetts. Consult with your licensed plumber.

5 TIGHTEN THE PIPE CLAMP

Tighten the clamp screws until the sealing washer begins to swell.

NOTE: Do not over tighten or you may crush the tubing.



6 ROUTE THE TUBING

Route the tubing between the cold water line and the refrigerator.

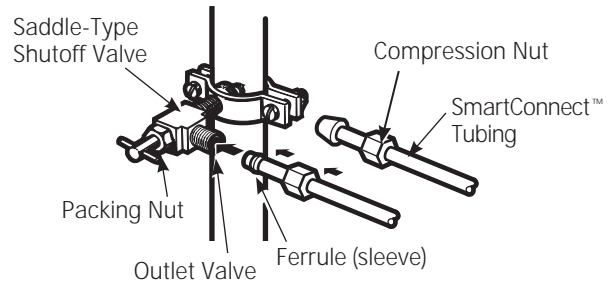
Route the tubing through a hole drilled in the wall or floor (behind the refrigerator or adjacent base cabinet) as close to the wall as possible.

7 CONNECT THE TUBING TO THE VALVE

Place the compression nut and ferrule (sleeve) for copper tubing onto the end of the tubing and connect it to the shutoff valve.

Make sure the tubing is fully inserted into the valve. Tighten the compression nut securely.

For plastic tubing from a GE SmartConnect™ Refrigerator Tubing kit, insert the molded end of the tubing into the shutoff valve and tighten compression nut until it is hand tight, then tighten one additional turn with a wrench. Over tightening may cause leaks.



NOTE: Commonwealth of Massachusetts Plumbing Codes 248CMR shall be adhered to. Saddle valves are illegal and use is not permitted in Massachusetts. Consult with your licensed plumber.

8 FLUSH OUT THE TUBING

Turn the main water supply on and flush out the tubing until the water is clear.

Shut the water off at the water valve after about one quart (1 liter), or 2 minutes, of water has been flushed through the tubing.



To complete the installation of the refrigerator, go back to Step 11 in Installing the Refrigerator.

Normal operating conditions.



Newer refrigerators sound different from older refrigerators.
Modern refrigerators have more features and use newer technology.

Do you hear what I hear? These conditions are normal.

**HUMMM...
WHOOSH...**

- The new high efficiency compressor may run faster and longer than your old refrigerator and you may hear a high-pitched hum or pulsating sound while it is operating.
- You may hear a whooshing sound when the doors close. This is due to pressure equalizing within the refrigerator.



- You may hear the fans spinning at high speeds. This happens when the refrigerator is first plugged in, when the doors are opened frequently or when a large amount of food is added to the refrigerator or freezer compartments. The fans are helping to maintain the correct temperatures.
- The fans change speeds in order to provide optimal cooling and energy savings.

**CLICKS, POPS,
CRACKS and SNAPS**

- You may hear cracking or popping sounds when the refrigerator is first plugged in. This happens as the refrigerator cools to the correct temperature.
- Expansion and contraction of cooling coils during and after defrost can cause a cracking or popping sound.
- On models with an ice maker, after an ice making cycle, you may hear the ice cubes dropping into the ice bucket.
- On models with a dispenser, during water dispense, you may hear the water lines move at initial dispense and after dispenser button is released.

WATER SOUNDS



- The flow of refrigerant through the cooling coils may make a gurgling noise like boiling water.
- Water dropping on the defrost heater can cause a sizzling, popping or buzzing sound during the defrost cycle.
- A water dripping noise may occur during the defrost cycle as ice melts from the evaporator and flows into the drain pan.
- Closing the door may cause a gurgling sound due to pressure equalization.

Before you call for service...



Troubleshooting Tips
Save time and money! Review the charts on the following pages first and you may not need to call for service.

Problem	Possible Causes	What to Do
Water filter indicator light remains lit after replacing filter (on some models)	Water filter indicator must be reset	Press WATER FILTER pad for 3 seconds to reset the water filter.
Water filter indicator light is not lit (on some models)	This is normal. This indicator will turn on to tell you that you need to replace the filter soon.	See <i>About the Water Filter</i> for more information.
Handle is loose/handle has a gap.	Handle needs adjusting	See <i>Attach Fresh Food Handle</i> and <i>Attach Freezer Handle</i> sections for detailed instructions.
Refrigerator beeping	This is door alarm	Turn off or disable with door closed. If door open and alarm is sounding, you can only snooze the alarm.
Not cooling	The cooling system is off	See <i>About Controls</i> .
Water has poor taste/odor (on some models)	Water dispenser has not been used for a long time	Dispense water, until all water in system is replenished.
Water in glass is warm (on some models)	Normal when refrigerator is first installed	Wait 24 hours for the refrigerator to completely cool down.
	Water dispenser has not been used for a long time	Dispense water, until all water in system is replenished.
	Water system has drained	Allow several hours for replenished supply to chill.
Water dispenser does not work (on some models)	Water supply line turned off or not connected	See <i>Installing the Water Line</i> .
	Water filter clogged or filter/bypass plug not installed	Replace filter cartridge or remove filter and install bypass plug.*
	Air may be trapped in the water system	Press the dispenser arm for at least 5 minutes.
	Water in reservoir is frozen because the controls are set too cold	Set the refrigerator control to a warmer setting and wait 24 hours. If the water does not dispense after 24 hours, call for service.
Water spurting from dispenser (on some models)	Newly installed filter cartridge	Run cold water from the dispenser for 5 minutes (about 2 gallons)..

*Some models do not come equipped with the filter bypass plug. To obtain a free bypass plug, call 800-GECARES. In Canada call 800.561.3344.

Before you call for service...



Troubleshooting Tips (cont)

Problem	Possible Causes	What to Do
No water or ice cube production (on some models)	Supply line or shutoff valve is clogged	Call a plumber
	Water filter is clogged	Replace filter cartridge or remove filter and install bypass plug*.
	Filter cartridge not properly installed	Remove and reinstall filter cartridge, being certain that it locks in place.
	Ice maker is turned off	Check that the ice maker is turned on. See <i>About the Automatic Ice Maker</i> .
Water is leaking from dispenser (on some models)	Air may be present in the water line system, causing water to drip after being dispensed	Dispense water for at least 5 minutes to remove air from system.
Freezer cooling, fresh food not cooling	Normal, when refrigerator first plugged in or after extended power outage	Wait 24 hours for temperature in both compartments to reach selected temperatures.
Ice dispenser opens after closing freezer drawer (on some models)	Normal	The ice dispenser door may open after closing freezer door to allow access.

*Some models do not come equipped with the filter bypass plug. To obtain a free bypass plug, call 800-GECARES. In Canada call 800.561.3344.

SERVICE

Before you call for service, review the detailed troubleshooting tips in the Owner's manual. If needed, service can be scheduled by visiting us online GEAppliances.com or calling 800.ge.CARES 800.432.2737

Truth or Myth

Truth or Myth?	Answer	Explanation
The refrigerator water filter may require replacement, even though the filter indicator has not turned red, or reads "Filter Expired."	TRUE	The water filter indicator will indicate the need to replace the water filter every six months. Water quality varies from city to city; if water flow from the dispenser slows, or ice production decreases, the water filter should be replaced, even though the filter indicator may not indicate the need for replacement.
The automatic ice maker in my refrigerator will produce ice when the refrigerator is plugged in to a power receptacle.	MYTH	The refrigerator must be connected to water, and the ice maker must be turned on. Make sure the ice maker is turned on, only after the water line is connected and water is turned on. The ice maker can be turned on/off from the controls and ensure the ice maker is on, as indicated on the refrigerator control panel. See <i>About the Automatic Ice Maker</i> .
After the refrigerator has been plugged in and connected to water, I will immediately have unlimited chilled water available from the water dispenser.	MYTH	The water dispenser tank located inside the refrigerator stores water for dispensing. The water in this tank requires 24 hours to chill after installation. High usage conditions will not allow time for the water to chill.
After water dispenses, a few drops of water are normal.	TRUE	A few drops of water may fall from the dispenser, after the dispenser paddle has been released. To minimize the drops, remove the glass slowly from the dispenser.
I will never see frost inside the freezer compartment.	MYTH	Frost inside the freezer typically indicates that the door is not properly sealed, or has been left open. If frost is found, clear the frost using a plastic spatula and towel, then check to ensure that no food packages or containers are preventing the freezer door from closing. Check the refrigerator control panel to ensure the door alarm is on.
When the refrigerator is installed, or after replacing the water filter, I must dispense water for five minutes.	TRUE	A newly installed refrigerator or water filter contains air in the water lines. Press the dispenser paddle and dispense cold water for at least 5 minutes to remove air from the water line, and flush the filter.
To fill the ice bucket to the maximum capacity, I should dispense 12 and 18 hours after installation.	TRUE	Dispensing 3-4 cubes 12 hours and 18 hours after installation, allows ice to disperse within the ice bucket, which in turns calls on the ice maker to produce additional ice. Normal ice production = 100 cubes in 24 hours.
I can use the water filter bypass plug to determine if the filter requires replacement.	TRUE	Decrease in flow from the water dispenser, or decreased ice production, may indicate the need to replace the water filter. Install the water filter bypass plug (provided with the refrigerator on some models*), and check flow from the dispenser. If water flow returns to normal with the bypass plug in place, replace the water filter.
The top of the refrigerator doors will always be aligned.	MYTH	Several things can affect the fresh food door alignment, including the floor the refrigerator is installed on and loading of doors. If the top of the fresh food doors are not aligned, use a 1/4" allen wrench to adjust the right/left hand door. The adjustment screw is located on the bottom right or left hand side of the door; open the freezer door to access the screw. On some models, the left hand fresh food door may be raised using spacers. Call 800-GEARES to obtain the spacers.
Refrigerator door handles can be easily tightened.	TRUE	If door handles are loose or have a gap, the handle can be adjusted using a 1/8" allen wrench, on set screws located on the ends of the handles.
There may be odor and taste problems with your ice.	TRUE	After starting the ice maker throw away 24 hours of ice production to avoid odor and taste problems.
I can make fine adjustments to the fresh food doors to align them.	TRUE	If the fresh food doors are not aligned, use a 1/4" Allen wrench to adjust the right hand door. The adjustment screw is located on the bottom of the right door. Open the freezer door to access. The left hand fresh food door may be raised using spacers. Call 800-GEARES to obtain the spacers.
Door handles should always be removed for installation.	MYTH	Check chart on reverse side of this instruction. If the doors must be removed do not remove the handles, or if the refrigerator will fit easily through the passage way opening. Adjust handles that are loose or have a gap, by adjusting 1/8" set screws on either end of handles.

SERVICE

Before you call for service, review the detailed troubleshooting tips in the Owner's manual. If needed, service can be scheduled by visiting us online *GEAppliances.com* or calling 800.ge.CARES 800.432.2737

Truth or Myth (cont.)

Truth or Myth?	Answer	Explanation
Door removal is always required for installation.	MYTH	Check chart on reverse side of this instruction. Doors should only be removed when necessary to prevent damage from passage way or access to final location.
Refrigerator doors that won't close after installation, can be adjusted to close properly.	TRUE	Door mechanism works best if installed at 90°. If installed at 180°, remove the door from the mid hinge, and swing the door 180° before reinstalling. See <i>Reinstalling the Refrigerator Doors</i> .
There is an adjustment to rear wheels.	MYTH	Front leveling legs are adjustable and should be used to balance the refrigerator. Leveling legs are used to make initial fresh food door adjustment.
Check for leaks after all water connections are made.	TRUE	While purging the air from the water system, check all water line connections for leaks. Check the connection to the household water supply at back of refrigerator, and door water line connect.
Any packaging residue can be cleaned off the refrigerator using any cleaner.	MYTH	Do not use wax, polish, bleach, or other products containing chlorine on Stainless Steel panels, door handles and trim. Check this instruction under "Cleaning the Outside" for full details.

*Some models do not come equipped with the filter bypass plug. To obtain a free bypass plug, call 800-GE CARES. In Canada call 800.561.3344.

Refrigerator Warranty. *(For customers in the United States)*



All warranty service provided by our Factory Service Centers, or an authorized Customer Care® technician. To schedule service, visit us online at GEAppliances.com, or call 800.GE.CARES (800.432.2737). Please have serial number and model number available when calling for service.

Staple your receipt here. Proof of the original purchase date is needed to obtain service under the warranty.

Service your refrigerator may require the use of the onboard data port for diagnostics. This gives a GE Appliances Factory Service technician the ability to quickly diagnose any issues with your appliance and helps GE Appliances improve its products by providing GE Appliances with information on your appliance. If you do not want your appliance data to be sent to GE Appliances, please advise your technician NOT to submit the data to GE Appliances at the time of service.

For the Period of:	GE Appliances Will Replace
One Year From the date of the original purchase	Any part of the refrigerator which fails due to a defect in materials or workmanship. During the limited one-year warranty , GE Appliances will also provide, free of charge , all labor and related service to replace the defective part.
Thirty Days (Water filter, if included) From the original purchase date of the refrigerator	Any part of the water filter cartridge which fails due to a defect in materials or workmanship. During this limited thirty-day warranty , GE Appliances will also provide, free of charge , a replacement water filter cartridge.
GE PROFILE™ AND GE CAFÉ™ MODELS	
Five Years From the date of the purchase	Any part of the sealed refrigerating system (the compressor, condenser, evaporator and all connecting tubing) which fails due to a defect in materials or workmanship. During this limited five-year sealed refrigerating system warranty , GE Appliances will also provide, free of charge , all labor and related service to replace the defective part in the sealed refrigerating system.

What GE Appliances Will Not Cover:

- Service trips to your home to teach you how to use the product.
- Improper installation, delivery or maintenance.
- Failure of the product if it is abused, misused, or used for other than the intended purpose or used commercially.
- Loss of food due to spoilage.
- Replacement of house fuses or resetting of circuit breakers.
- Damage caused after delivery.
- Replacement of the water filter cartridge, if included, due to water pressure that is outside the specified operating range or due to excessive sediment in the water supply.
- Replacement of the light bulbs, if included, or water filter cartridge, if included, other than as noted above.
- Damage to the product caused by accident, fire, floods or acts of God.
- Incidental or consequential damage caused by possible defects with this appliance.
- Product not accessible to provide required service.
- Damage caused by a non-GE Appliances Brand water filter.

EXCLUSION OF IMPLIED WARRANTIES—Your sole and exclusive remedy is product repair as provided in this Limited Warranty. Any implied warranties, including the implied warranties of merchantability or fitness for a particular purpose, are limited to one year or the shortest period allowed by law.

This warranty is extended to the original purchaser and any succeeding owner for products purchased for home use within the USA. If the product is located in an area where service by a GE Appliances Authorized Servicer is not available, you may be responsible for a trip charge or you may be required to bring the product to an Authorized GE Appliances Service location for service. In Alaska, the warranty excludes the cost of shipping or service calls to your home.

Some states do not allow the exclusion or limitation of incidental or consequential damages. This warranty gives you specific legal rights, and you may also have other rights which vary from state to state. To know what your legal rights are, consult your local or state consumer affairs office or your state's Attorney General.

Warrantor: General Electric Company, Louisville, KY 40225

Performance Data Sheet

SmartWater™ Filtration System—GE Appliances MWF Cartridge

The concentration of the indicated substances in water entering the system was reduced to a concentration less than or equal to the permissible limit for water leaving the system as specified in NSF/ANSI Standard 42 and Standard 53. System tested and certified by NSF International against NSF/ANSI Standard 42 and Standard 53 for the reduction of substances listed below.

Capacity 300 Gallons (1,135 Liters). Contaminant Reduction Determined by NSF testing.

Substance Tested for Reduction	Average Influent	NSF specified Challenge Concentration	Avg % Reduction	Average Product Water Concentration	Max Permissible Product Water Concentration	NSF Reduction Requirements	NSF Test Report
Chlorine Taste and Odor	2.0 mg/L	2.0 mg/L ± 10%	97.5%	0.05 mg/L	N/A	≥ 50%	J-00077703
Nominal Particulate Class I, ≥0.5 to < 1.0 µm	7,833,333 pts/mL	At least 10,000 particles/mL	99.7%	18,617 pts/mL	N/A	≥85%	J-00077704
Cyst*	101,000 cysts/L	Minimum 50,000 cysts/L	99.99%	1 cyst/L	N/A	≥99.95%	J-00100036
Asbestos	47 MF/L	107 to 108 fibers/L; fibers greater than 10 µm in length	>99%	<1 MF/L	N/A	≥99%	J-00077707
Atrazine	0.009 mg/L	0.009 mg/L ± 10%	94.5%	0.0005 mg/L	0.003 mg/L	N/A	J-00077708
Benzene	0.016 mg/L	0.015 mg/L ± 10%±	96.7%	0.0005 mg/L	0.005 mg/L	N/A	J-00077717
Carbofuran	0.08 mg/L	0.08 mg/L ± 10%	98.7%	0.001 mg/L	0.04 mg/L	N/A	J-00077718
Endrin	0.007 mg/L	0.006 mg/L ± 10%	97.1%	0.0002 mg/L	0.002 mg/L	N/A	J-00100039
Lead @ pH 6.5	0.152 mg/L	0.15 mg/L ± 10%	99.3%	0.001 mg/L	0.010 mg/L	N/A	J-00077722
Lead @ pH 8.5	0.148 mg/L	0.15 mg/L ± 10%	99.3%	0.001 mg/L	0.010 mg/L	N/A	J-00077723
Lindane	0.002 mg/L	0.002 mg/L ± 10%	99.0%	0.00002 mg/L	0.0002 mg/L	N/A	J-00077726
Mercury @ pH 6.5	0.0058 mg/L	0.006 mg/L ± 10%	93.2%	0.0004 mg/L	0.002 mg/L	N/A	J-00100037
Mercury @ pH 8.5	0.0061 mg/L	0.006 mg/L ± 10%	93.2%	0.0004 mg/L	0.002 mg/L	N/A	J-00092355
P-Dichlorobenzene	0.222 mg/L	0.225 mg/L ± 10%	99.8%	0.005 mg/L	0.075 mg/L	N/A	J-00077729
Tetrachloroethylene	0.015 mg/L	0.015 mg/L ± 10%	96.7%	0.0005 mg/L	0.005 mg/L	N/A	J-00082184
Toxaphene	0.015 mg/L	0.015 mg/L ± 10%	93.2%	0.001 mg/L	0.003 mg/L	N/A	J-00077730
2,4-D	0.218 mg/L	0.210 mg/L ± 10%	99.5%	0.0009 mg/L	0.07 mg/L	N/A	J-00085470

*Based on the use of Cryptosporidium parvum oocysts.

The following pharmaceutical reduction claims have not been certified by NSF International or the state of California. Claims tested and verified by independent laboratory:

Contaminant Reduction	Average Influent	NSF specified Challenge Concentration	Avg % Reduction	Average Product Water Concentration	Max Permissible Product Water Concentration	NSF Reduction Requirements	NSF Test Report
Atenolol	978 ng/L	N/A	99.5%	5.0 ng/L	N/A	N/A	J-00121587
Fluoxetine	907 ng/l	N/A	99.4%	5.4 ng/L	N/A	N/A	J-00121587
Ibuprofen	885 ng/L	N/A	94.1%	52.3 ng/L	N/A	N/A	J-00121588
Progesterone	1097 ng/L	N/A	99.5%	5.0 ng/L	N/A	N/A	J-00121589
Trimethoprim	415 ng/L	N/A	99.5%	2.0 ng/L	N/A	N/A	J-00121587

Application Guidelines/Water Supply Parameters

Service Flow	0.5 gpm (21.9 lpm)	Water Pressure	40-120 psi (2.8-8.2 bar)
Water Supply	Potable Water	Water Temperature	33°F-100°F (0.6°C-38°C)

It is essential that the manufacturer's recommended installation, maintenance and filter replacement requirements be carried out for the product to perform as advertised. See Installation Manual for Warranty information.

Note: While the testing was performed under standard laboratory conditions, actual performance may vary.
Replacement Cartridge: MWF. For estimated costs of replacement elements please call 1-800-626-2002 or visit our website at www.geapplianceparts.com.

WARNING

To reduce the risk associated with ingestion of contaminants:

- Do not use with water that is microbiologically unsafe or of unknown quality without adequate disinfection before and after the system. Systems certified for cyst reduction may be used on disinfected water that may contain filterable cysts. EPA Establishment Number 10350-MN-005.

For conditions of use, health claims certified by the California Department of Public Health, and replacements, see performance data sheet. California Department of Public Health Certification #05-1698. The contaminants or other substances removed or reduced by this water filter are not necessarily in all users' water.

NOTICE

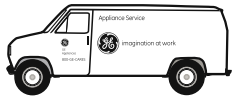
To reduce the risk associated with property damage due to water leakage:

- Read and follow use instructions before installation and use of this system.
- Installation and use **MUST** comply with all state and local plumbing codes.
- Do not install if water pressure exceeds 120 psi (8.2 bar). If your water pressure exceeds 80 psi, you **must** install a pressure-limiting valve. Contact a plumbing professional if you are uncertain how to check your water pressure.
- Do not install where water hammer conditions may occur. If water hammer conditions exist you **must** install a water hammer arrester. Contact a plumbing professional if you are uncertain how to check for this condition.
- Do not install on hot water supply lines. The maximum operating water temperature of this filter system is 100° F (38° C).
- Protect filter from freezing. Drain filter when temperatures drop below 33°F (0.6°C).
- The disposable filter cartridge **must** be replaced every 6 months at the rated capacity, or sooner if a noticeable reduction in flow rate occurs.



Tested and certified by NSF International against NSF/ANSI Standard 42 and Standard 53 in model GE Appliances MWF for the reduction of the claims specified on the performance data sheet.

MWF Water Filter Cartridge Limited Warranty



Contact us at www.geapplianceparts.com
(Canada geappliances.ca)
or call 800.GE.CARES (Canada 1.800.561.3344).

Staple your receipt here. Proof of the original purchase date is needed to obtain service under the warranty.

For The Period Of:

We Will Replace, At No Charge To You:

Thirty Days

From the date of the original purchase

Any part of the water filter cartridge which fails due to a defect in materials or workmanship during this **limited thirty-day warranty**.*

What is Not Covered:

- Service trips to your home to teach you how to use the product.
- Improper installation.
- Failure of the product if it is abused, misused, used for other than the intended purpose or used commercially.
- Replacement of house fuses or resetting of circuit breakers.
- Replacement of the water filter cartridge due to water pressure that is outside the specified operating range or due to excessive sediment in the water supply.
- Damage to the product caused by accident, fire, floods or acts of God.
- Incidental or consequential damage caused by possible defects with this appliance.

This warranty is extended to the original purchaser and any succeeding owner for products purchased for home use within the USA. In Alaska, the warranty excludes the cost of shipping or service calls to your home.

Some states do not allow the exclusion or limitation of incidental or consequential damages. This warranty gives you specific legal rights, and you may also have other rights which vary from state to state. To know what your legal rights are, consult your local or state consumer affairs office or your state's Attorney General.

For Purchases Made In Iowa: This form must be signed and dated by the buyer and seller prior to the consummation of this sale.

This form should be retained on file by the seller for a minimum of two years.

Buyer:

Name

Address

City State Zip

Signature Date

Seller:

Name

Address

City State Zip

Signature Date

* If your GE Appliances part fails because of a manufacturing defect within thirty days from the date of original purchase for use, we will give you a new or, at our option, a rebuilt part without charge. Return the defective part to the parts supplier from whom it was purchased together with a copy of the "proof of purchase" for the part. If the part is defective and shows no signs of abuse, it will be exchanged. The warranty does not cover the failure of parts which are damaged while in your possession, are abused, or have been installed improperly. It does not cover the cost of returning the part to the supplier from whom it was purchased nor does it cover the cost of labor to remove or install it to diagnose the fault. It does not cover parts used in products in commercial use except in the case of air conditioning equipment. In no event shall GE Appliances be liable for consequential damages. Warrantor: GE Appliances

EXCLUSION OF IMPLIED WARRANTIES: Your sole and exclusive remedy is part exchange as provided in this Limited Warranty. Any implied warranties, including the implied warranties of merchantability or fitness for a particular purpose, are limited to six months or the shortest period allowed by law.



GE APPLIANCES
Appliance Park
Louisville, KY 40225
gewaterfilters.com

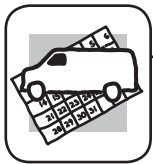
Consumer Support.



GE Appliances Website

In the U.S.: *GEAppliances.com*

Have a question or need assistance with your appliance? Try the GE Appliances website, 24 hours a day, any day of the year! For greater convenience and faster service, you can now download Owner's Manuals, order parts or even schedule service on-line. In Canada: www.GEAppliances.ca



Schedule Service

In the U.S.: *GEAppliances.com*

Expert GE Appliances repair service is only one step away from your door. Get on-line and schedule your service at your convenience any day of the year! Or call 800.GE.CARES (800.432.2737) during normal business hours.

In Canada, call 1.800.561.3344



Real Life Design Studio

In the U.S.: *GEAppliances.com*

GE Appliances supports the Universal Design concept—products, services and environments that can be used by people of all ages, sizes and capabilities. We recognize the need to design for a wide range of physical and mental abilities and impairments. For details of GE's Universal Design applications, including kitchen design ideas for people with disabilities, check out our Website today. For the hearing impaired, please call 800.TDD.GEAC (800.833.4322).

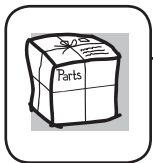
In Canada, contact: Manager, Consumer Relations, Mabe Canada Inc.
Suite 310, 1 Factory Lane
Moncton, N.B. E1C 9M3



Extended Warranties

In the U.S.: *GEAppliances.com*

Purchase a GE extended warranty and learn about special discounts that are available while your warranty is still in effect. You can purchase it on-line anytime, or call 800.626.2224 during normal business hours. GE Appliances Consumer Home Services will still be there after your warranty expires. In Canada, call 1.888.261.2133



Parts and Accessories

In the U.S.: *GEApplianceParts.com*

Individuals qualified to service their own appliances can have parts or accessories sent directly to their homes (VISA, MasterCard and Discover cards are accepted). Order on-line today, 24 hours every day or by phone at 800.626.2002 during normal business hours. (In Canada, call 1.800.661.1616.)

Instructions contained in this manual cover procedures to be performed by any user. Other servicing generally should be referred to qualified service personnel. Caution must be exercised, since improper servicing may cause unsafe operation.



Contact Us

In the U.S.: *GEAppliances.com*

If you are not satisfied with the service you receive from GE, contact us on our Website with all the details including your phone number, or write to:

General Manager, Customer Relations
GE Appliances, Appliance Park
Louisville, KY 40225

In Canada: www.GEAppliances.ca, or call 1.800.661.1616 or write to: Director, Consumer Relations, MC Commercial
Suite 310, 1 Factory Lane
Moncton, N.B. E1C 9M3



Register Your Appliance

In the U.S.: *GEAppliances.com*

Register your new appliance on-line—at your convenience! Timely product registration will allow for enhanced communication and prompt service under the terms of your warranty, should the need arise. You may also mail in the pre-printed registration card included in the packing material. In Canada: www.GEAppliances.ca



Réfrigérateurs à congélateur inférieur

Consignes de sécurité 2, 3

Consignes d'utilisation

Fonctions 4, 5
 Commandes 6, 7
 Distributeur 8
 Filtre à eau 9
 Tablettes et balconnets 10
 Bacs et tiroirs 11
 Congélateur 12, 13
 Machine à glaçons automatique 14
 Entretien et nettoyage 15
 Remplacement des ampoules 16

Instructions d'installation

Préparation avant installation
 du réfrigérateur 17
 Dimensions de l'électroménager 18
 Installation du réfrigérateur 19-32
 Installation de l'alimentation
 en eau 33-35

Conseils de dépannage 37, 38

Fonctionnement normal 36
 Entretien - Mythe ou réalité 33-35

Assistance à la clientèle

Garantie 41
 Garantie du filtre
 à eau à cartouche MWF 43
 Données de performance 42
 Assistance à la clientèle 44

**Manuel d'utilisation
et instructions
d'installation**

*Modèles GE, GE Profile, et GE Café™
20, 24 & 25*

Inscrivez ici les numéros de modèle et de série :

Modèle # _____

Numéro de Série # _____

Vous trouverez ces numéros sur l'étiquette apposée sur le côté gauche à mi-hauteur du compartiment de réfrigération.

IMPORTANTES CONSIGNES DE SÉCURITÉ . VEUILLEZ LIRE TOUTES LES CONSIGNES AVANT UTILISATION .

SÉCURITÉ



Site Internet d'Électroménagers GE

Pour de plus amples informations sur le fonctionnement de votre réfrigérateur, consultez le site www.electromenagersge.ca ou composez le 800.561.3344.

CONSIGNES DE SÉCURITÉ POUR LE RÉFRIGÉRATEUR

! Ce symbole représente une alerte de sécurité. Ce symbole vous avise de dangers possibles pouvant causer la mort, des blessures ou autres. Tous les messages de sécurité seront précédés du symbole d'alerte de sécurité ainsi que des mots « DANGER », « AVERTISSEMENT » ou « MISE EN GARDE ». Ces messages sont les suivants :

! DANGER Signale une situation qui présente un danger imminent et qui, si elle n'est pas évitée, entraînera des blessures graves, voire la mort.

! AVERTISSEMENT Signale une situation qui présente un danger imminent et qui, si elle n'est pas évitée, peut entraîner des blessures graves, voire la mort.

! ATTENTION Signale une situation qui présente un danger imminent et qui, si elle n'est pas évitée, peut entraîner des blessures mineures ou graves.

IMPORTANTES CONSIGNES DE SÉCURITÉ

! AVERTISSEMENT Pour réduire le risque d'incendie, d'explosion, de choc électrique ou de blessures lorsque vous utilisez votre réfrigérateur, veuillez suivre ces consignes de sécurité :

- Ce réfrigérateur doit être correctement installé conformément aux Consignes d'Installation avant toute utilisation.
- Débranchez le réfrigérateur avant d'effectuer une réparation, de remplacer une ampoule ou de le nettoyer. Remarque : L'alimentation du réfrigérateur ne peut être déconnectée par aucune des fonctions sur le panneau de commande. Remarque : Les réparations doivent être effectuées par un professionnel qualifié.
- Remettez toutes les pièces et panneaux en place avant d'utiliser l'appareil.
- Ne stockez pas ou n'utilisez pas d'essence ou d'autres vapeurs et liquides inflammables à proximité de cet appareil ou de tout autre appareil électroménager.
- Nous déconseillons fortement l'utilisation d'une rallonge à cause des risques potentiels dans certaines conditions. Cependant, si l'utilisation d'un cordon prolongateur est nécessaire, ce dernier doit obligatoirement être homologué UL (aux USA) ou CSA (au Canada), à trois brins avec mise à la terre pour appareil électroménager et doit être équipé d'une fiche et d'une prise femelle avec terre. Les caractéristiques électriques du cordon prolongateur doivent être de 15 ampères (minimum) et de 120 volts.
- Pour éviter les risques d'asphyxie et d'enfermement pour les enfants. Démontez les portes du congélateur et du compartiment de réfrigération avant de le mettre au rebut ou d'interrompre son utilisation.
- Ne laissez pas les enfants grimper, se mettre debout ou se suspendre aux poignées de portes dans le réfrigérateur ou aux clayettes du réfrigérateur. Ils pourraient se blesser gravement.

! ATTENTION Pour réduire le risque de blessures lorsque vous utilisez votre réfrigérateur, veuillez suivre ces consignes de sécurité.

- Ne nettoyez pas les clayettes ou les couvercles en verre avec de l'eau tiède quand ceux-ci sont froids. Les clayettes et couvercles en verre peuvent se casser s'ils sont exposés à des changements soudains de température ou si vous les cognez ou les faites tomber. Le verre trempé est conçu pour se briser en petits morceaux en cas de casse.
- Éloignez les doigts des parties du congélateur où l'on peut facilement se pincer : les espaces entre les portes, et entre les portes et les placards sont toujours étroits. Soyez prudent lorsque vous fermez les portes en présence d'enfants.
- Ne recongelez pas les aliments surgelés qui ont complètement dégelé.
- Si votre réfrigérateur est doté d'une machine à glaçons automatique, évitez le contact avec les pièces mobiles du mécanisme éjecteur, ou avec l'élément chauffant qui libère les glaçons. Ne posez pas les doigts ou les mains sur le mécanisme de la machine à glaçons automatique pendant que le réfrigérateur est branché.
- Utilisez un verre robuste qui résiste à la distribution de glace (sur les modèles avec distributeur de glace).

IMPORTANTES CONSIGNES DE SÉCURITÉ . VEUILLEZ LIRE TOUTES LES CONSIGNES AVANT UTILISATION .

SÉCURITÉ (SUITE)

INSTALLATION



AVERTISSEMENT



Risque d'explosion.

Conservez les matériaux et vapeurs inflammables tels que l'essence à l'écart de votre réfrigérateur. Une explosion, un incendie voire la mort pourrait en résulter.

BRANCHEMENTS ÉLECTRIQUES



AVERTISSEMENT



Risque de choc électrique.

Branchez l'appareil dans une prise triple avec terre.

Ne retirez pas la broche de terre.

N'utilisez pas d'adaptateur.

Le non-respect de ces instructions peut entraîner des risques d'incendies, des chocs électriques ou la mort.

Ne coupez pas ou n'enlevez pas, sous aucun prétexte, la troisième broche de mise à la terre du cordon d'alimentation. Pour des raisons de sécurité, cet appareil doit être correctement mis à la terre.

Le cordon d'alimentation de cet appareil est équipé d'une fiche à trois broches (pour une mise à la terre) qui s'adapte à la prise de courant standard à 3 broches (pour une mise à la terre) pour minimiser les risques de chocs électriques par cet appareil.

Faites vérifier la prise murale et le circuit électrique par un électricien qualifié pour s'assurer que le système est correctement mis à la terre.

Dans le cas d'une prise biphasée, l'installateur a la responsabilité et l'obligation de la remplacer par une prise triphasée correctement mise à la terre. N'utilisez pas d'adaptateur.

Le réfrigérateur doit toujours être branché à sa propre prise électrique d'une tension nominale correspondant à celle indiquée sur sa plaque signalétique.

Une alimentation électrique à 115 volts CA, 60 Hz, avec

un fusible de 15 ou 20 ampères et une mise à la terre est nécessaire. Ceci permet d'obtenir un meilleur rendement et évite de surcharger les circuits électriques du domicile qui risque d'occasionner un incendie en surchauffant.

Ne débranchez jamais le réfrigérateur en tirant sur le cordon d'alimentation. Prenez toujours fermement la fiche en main et tirez pour la sortir de la prise.

Réparez ou remplacez immédiatement tout cordon électrique usé ou endommagé. N'utilisez pas un cordon fissuré ou présentant des dommages dus aux frottements soit sur sa longueur ou aux extrémités.

Lorsque vous éloignez votre réfrigérateur du mur, faites attention à ne pas le faire rouler sur le cordon d'alimentation afin de ne pas l'endommager.

MISE AU REBUT APPROPRIÉE DE VOTRE ANCIEN RÉFRIGÉRATEUR

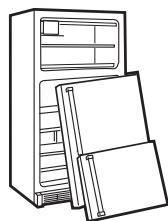


AVERTISSEMENT

Un enfant risque de suffoquer ou d'y être emprisonné.

Démontez les portes du compartiment de réfrigération et du compartiment de congélation du réfrigérateur, avant mettre celui-ci au rebut. Le non-respect de cette recommandation peut entraîner l'enfermement d'un enfant qui peut entraîner la mort ou des lésions cérébrales.

IMPORTANT:



Les enfants pris au piège ou morts d'asphyxie sont toujours d'actualité. Les réfrigérateurs jetés ou abandonnés restent dangereux même si vous ne les laissez au rebut que pour « quelques jours ». Si vous voulez jeter votre ancien réfrigérateur, suivez les instructions suivantes pour empêcher les accidents.

Avant de jeter votre ancien réfrigérateur ou congélateur:

- Démontez les portes du compartiment de réfrigération et du compartiment de congélation.
- Laissez les tablettes en place de sorte que les enfants ne puissent grimper facilement à l'intérieur.

Fluides frigorigènes

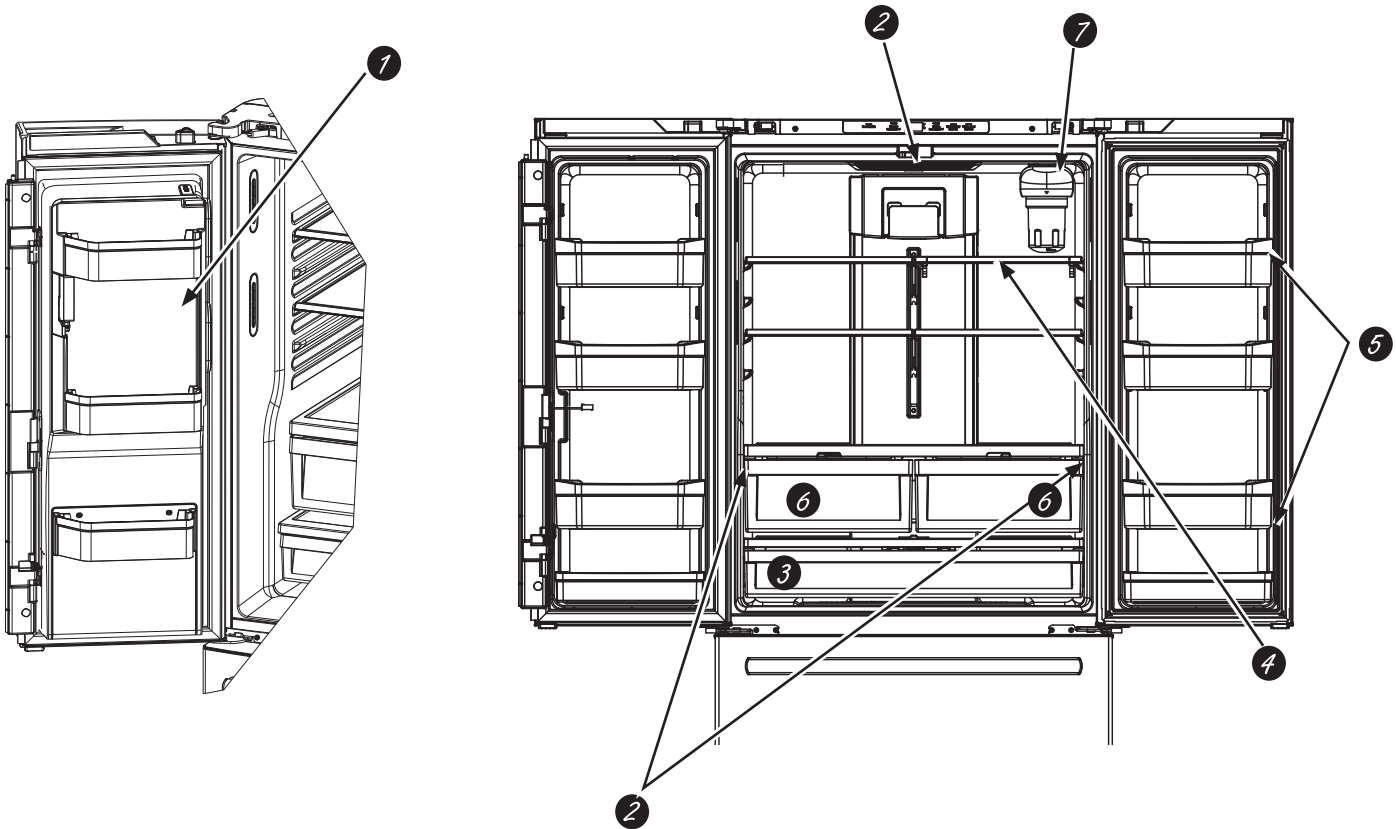
Les appareils réfrigérants contiennent des fluides frigorigènes qui conformément à la législation fédérale doivent être retirés avant la mise au rebut de l'appareil. Si vous mettez au rebut un ancien réfrigérateur contenant des fluides frigorigènes, vérifiez la procédure à suivre auprès de la compagnie responsable de l'élimination.



**LISEZ ET SUIVEZ SOIGNEUSEMENT CES CONSIGNES DE SÉCURITÉ.
CONSERVEZ CES INSTRUCTIONS**

Caractéristiques

Modèles à deux portes



1 Machine à glaçons à faible encombrement (certains modèles)
Machine à glaçons à faible encombrement (certains modèles)

2 Éclairage DEL
Les lampes DEL du compartiment réfrigérateur sont situées dans le centre supérieur et sur les côtés gauche et droit des bacs climatisés. Des lampes DEL sont aussi situées dans le congélateur; voir les pages 12 et 13.

3 Tiroir pleine largeur
Un tiroir pleine largeur pouvant recevoir des articles de taille supérieure est situé dans le bas du compartiment réfrigérateur.

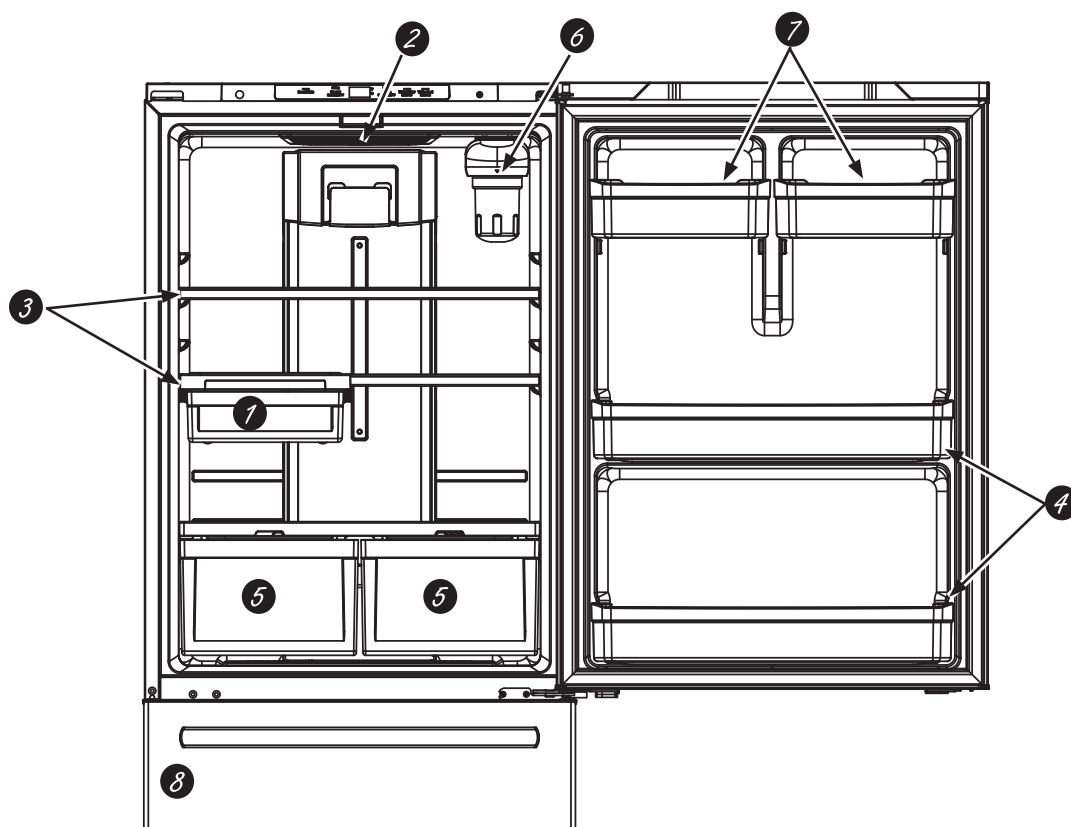
4 Tablette QuickSpace™ (certains modèles)
Elle sert de tablette pleine grandeur au besoin et se glisse aisément pour ranger des articles longs en dessous.

5 Balconnets amovibles/réglables
On peut les déplacer vers le haut ou le bas pour répondre à vos besoins.

6 Tiroirs climatisés
Bacs séparés pour le rangement des fruits et légumes frais.

7 Filtre d'eau
Accessible pour faciliter le remplacement.

Modèles à une porte



- 1 Bac à collation mobile**
On peut le déplacer à différents endroits pour mieux répondre à vos besoins.
- 2 Éclairage DEL**
Les lampes DEL du compartiment réfrigérateur sont situées dans le centre supérieur et sur les côtés gauche et droit des bacs climatisés. Des lampes DEL sont aussi situées dans le congélateur; voir les pages 12 et 13.
- 3 Tablettes pleine largeur**
Ces tablettes peuvent recevoir les articles de taille supérieure.
- 4 Balconnets pleine largeur pour 4 litres**
Balconnets non réglables de pleine largeur pouvant recevoir des contenants de 4 litres.
- 5 Bacs climatisés**
Bacs séparés pour ranger des fruits et légumes frais.
- 6 Filtre d'eau (certains modèles)**
Filtre d'eau (certains modèles)
- 7 Balconnets réglables**
Ils peuvent se déplacer vers le haut ou le bas pour répondre à vos besoins.
- 8 Machine à glaçons (certains modèles)**
La machine à glaçons est située dans le congélateur sur certains modèles. L'ensemble de machine à glaçons IM-4D ou IM-5A est offert pour les modèles conçus pour en recevoir.

Commandes.

Panneau de commande intérieur GBE21, ABE21

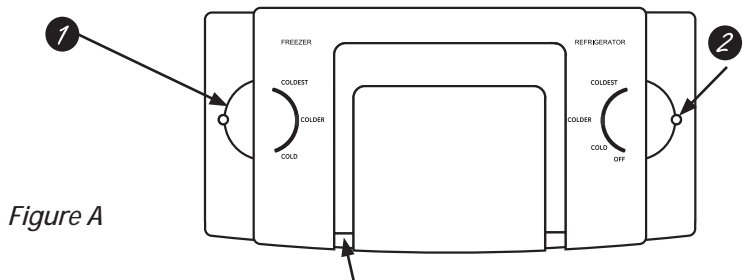


Figure A

Remarque : N'obstruez pas la sortie d'air en plaçant des articles directement contre celle-ci. Autrement, cela peut gêner la régulation de température.

Positions pour le réglage de température			
Réfrigérateur		Congélateur	
Coldest (le plus froid)	34°F (1.1°C)	Coldest (le plus froid)	-6°F (-21.1°C)
Colder (plus froid)	37°F (2.8°C)	Colder (plus froid)	0°F (-17.8°C)
Cold (froid)	44°F (6.7°C)	Cold (froid)	6°F (-14.4°C)

1 Commande de température du compartiment congélateur

Cette commande sert à régler la température du congélateur. La température est pré-réglée à l'usine à la position **Colder** (plus froid). Allouez 24 heures pour stabiliser la température à la valeur pré-réglée.

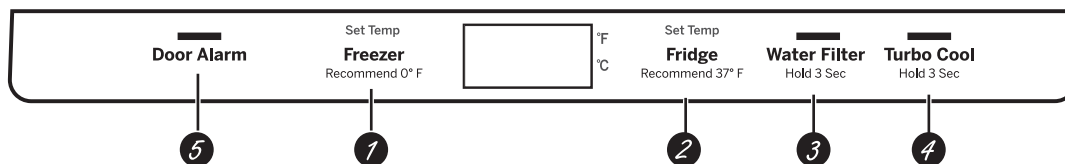
2 Commande de température du compartiment réfrigérateur

Cette commande sert à régler la température du compartiment réfrigérateur. La température est pré-réglée à l'usine à la position **Colder** (plus froid). Allouez 24 heures pour stabiliser la température à la valeur pré-réglée.

REMARQUE : Aucun réglage du panneau de commande ne permet de couper l'alimentation électrique au réfrigérateur.

Panneau de commande supérieur GDE21, PDE21, GNE21, PNE21, GDE25, GNE25, PNE25, CNE25

Figure B



1 Commande de température du compartiment congélateur

Cette commande sert à régler la température du congélateur. La température est pré-réglée à l'usine à la valeur **0 °F**. Allouez 24 heures pour stabiliser la température à la valeur pré-réglée.

2 Commande de température du compartiment réfrigérateur

Cette commande sert à régler la température du compartiment réfrigérateur. La température est pré-réglée à l'usine à la valeur **37 °F**. Allouez 24 heures pour stabiliser la température à la valeur pré-réglée.

3 Filtre d'eau

Pressez la touche durant 3 secondes pour réinitialiser le filtre d'eau.

4 Fonction TurboCool™

Pour activer la fonction **TurboCool™**, pressez cette touche durant 3 secondes. L'affichage indiquera **tc**. Cette fonction refroidit rapidement le compartiment réfrigérateur et ainsi les aliments qui s'y trouvent.

Utilisez **TurboCool™** lorsque vous ajoutez une grande quantité d'aliments dans le compartiment réfrigérateur, des aliments qui ont reposé à température ambiante ou encore des restes de table tièdes. Cette fonction peut aussi servir en cas d'interruption de courant sur une longue période.

REMARQUE : Lorsque **TurboCool™** est en fonction, le réglage de la température du réfrigérateur ne peut pas être changé, la température du congélateur reste la même et les ventilateurs continuent de tourner à l'ouverture de la porte s'ils ont été activés.

5 Alarme de Porte

Pressez la touche **Door Alarm** (alarme de porte) pour activer cette fonction. L'alarme sonnera si l'une des portes reste ouverte plus de 2 minutes. La sonnerie cesse à la fermeture de la porte.

REMARQUE : Pour mettre le panneau de commande du réfrigérateur en position **OFF** (arrêt), pressez simultanément les mots **Freezer** (congélateur) et **Fridge** (réfrigérateur) durant 3 secondes. Aucun réglage du panneau de commande ne permet de couper l'alimentation électrique au réfrigérateur.

Panneau de commande extérieur GFE24, PFE24, CFE24

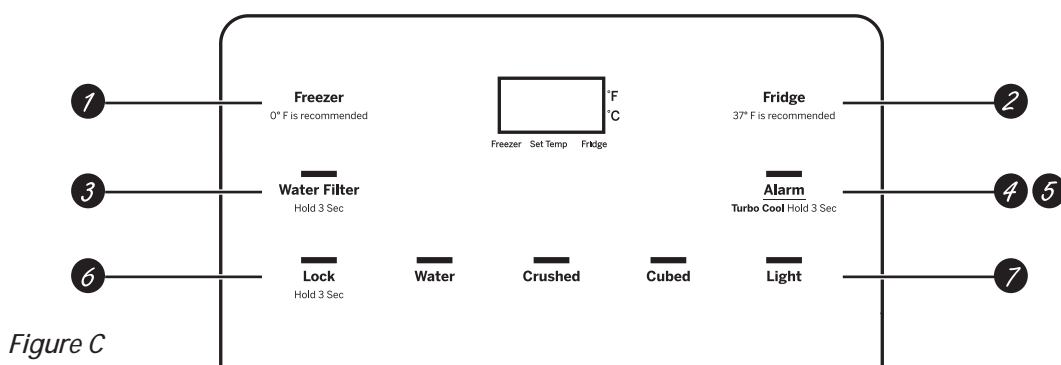


Figure C

1 Commande de température du compartiment congélateur

Cette commande sert à régler la température du congélateur. La température est pré-réglée à l'usine à la valeur **0 °F**. Allouez 24 heures pour stabiliser la température à la valeur pré-réglée.

2 Commande de température du compartiment réfrigérateur

Cette commande sert à régler la température du compartiment réfrigérateur. La température est pré-réglée à l'usine à la valeur **37 °F**. Allouez 24 heures pour stabiliser la température à la valeur pré-réglée.

3 Filtre d'eau

Pressez la touche durant 3 secondes pour réinitialiser le filtre d'eau.

4 Fonction TurboCool™

Pour activer la fonction **TurboCool™**, pressez la touche **Alarm** (alarme de porte) durant 3 secondes. L'affichage indiquera **tc**.

Cette fonction refroidit rapidement le compartiment réfrigérateur et ainsi les aliments qui s'y trouvent. Utilisez **TurboCool™** lorsque vous ajoutez dans le compartiment réfrigérateur : une grande quantité d'aliments; des aliments qui ont reposé à température ambiante; ou encore des restes de table tièdes. Cette fonction peut aussi servir en cas d'interruption de courant sur une longue période.

REMARQUE : Lorsque **TurboCool™** est en fonction, le réglage de la température du réfrigérateur ne peut pas être changé, la température du congélateur reste la même et les ventilateurs continuent de tourner à l'ouverture de la porte s'ils ont été activés.

5 Alarme de porte

Pressez la touche **Alarm** (alarme de porte) pour activer ou désactiver cette fonction. L'alarme sonnera si l'une des portes reste ouverte plus de 2 minutes. La sonnerie cesse à la fermeture de la porte.

6 Verrouillage

Pressez la touche **Lock** (verrouillage) durant 3 secondes pour verrouiller le distributeur de glaçons et d'eau, ainsi que toutes les autres commandes. Pressez de nouveau durant 3 secondes pour déverrouiller les commandes.

7 Lampe DEL du distributeur

Pressez la touche **Light** (lampe) pour allumer ou éteindre la lampe du distributeur.

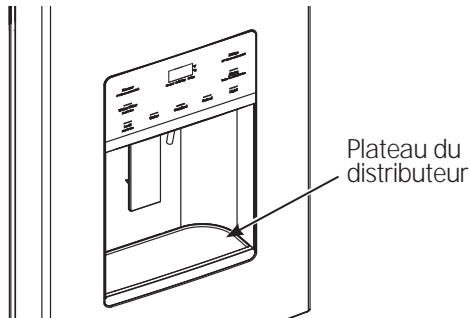
REMARQUE : Pour mettre le panneau de commande du réfrigérateur en position **OFF** (arrêt), pressez simultanément les mots **Freezer** (congélateur) et **Fridge** (réfrigérateur) durant 3 secondes. Aucun réglage du panneau de commande ne permet de couper l'alimentation électrique au réfrigérateur.

REMARQUE : Le réfrigérateur est livré avec une pellicule protectrice recouvrant les commandes de température. Si cette pellicule n'a pas été retirée lors de l'installation, faites-le maintenant.

Distributeur . (certains modèles)

Distributeur d'eau et de glaçons

(Voir la section Commandes)



Appuyez le verre délicatement contre le berceau du distributeur.

La tablette antidébordement ne se draine pas automatiquement. Pour réduire les taches d'eau, elle doit être nettoyée régulièrement.

Il se peut que de l'air soit présent dans la conduite d'eau si la distribution d'eau n'a pas eu lieu à la première installation du réfrigérateur. Appuyez sur la palette du distributeur durant au moins cinq minutes pour expulser l'air de la conduite et remplir le système d'eau. Pour expulser les impuretés de la conduite, jetez les premiers six verres d'eau.

AVERTISSEMENT Risque de laceration

- Ne mettez jamais les doigts ni d'autres objets dans l'orifice de sortie du broyeur de glace. Sinon, le risque de contact avec les lames ou un fil sous tension peut causer des blessures pouvant mener à l'amputation.
- Utilisez un verre robuste qui résiste à la distribution de glace. Un verre délicat peut se briser et causer des blessures.

Pour retirer le plateau du distributeur

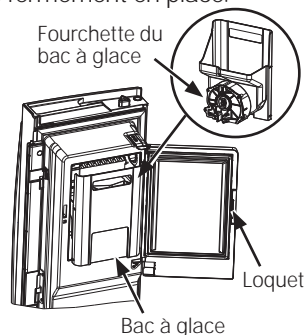
- Tirez sur le plateau en ligne droite.

Pour remettre le plateau en place

- Poussez-le jusqu'à ce qu'il repose fermement en place.

Bac à glace dans la porte

1. Ouvrez la porte gauche du compartiment réfrigérateur.
2. Poussez sur le loquet vers le bas pour dégager le panneau d'accès du bac.
3. En agrippant la prise, soulevez puis sortez le bac à glace de façon à dépasser les repères dans le bas du bac.
4. Pour replacer le bac à glace, placez-le sur les supports des guides et poussez-le jusqu'à ce qu'il repose correctement en place.
5. Si la remise en place du bac est impossible, tournez la fourchette du bac sur $\frac{1}{4}$ de tour dans le sens des aiguilles d'une montre.



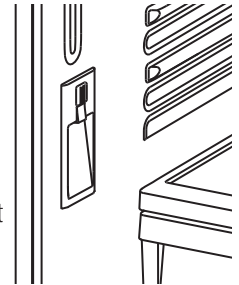
Distributeur d'eau intérieure

(certains modèles)

Le distributeur d'eau est situé sur la paroi gauche à l'intérieur du compartiment réfrigérateur.

Pour distribuer l'eau :

1. Maintenez le verre dans le renforcement.
2. Poussez le bouton du distributeur.
3. Gardez le verre sous le distributeur durant 2 à 3 secondes après le relâchement du bouton car de l'eau peut continuer à l'écouler.



Il se peut que de l'air soit présent dans la conduite d'eau si la distribution d'eau n'a pas eu lieu à la première installation du réfrigérateur. Appuyez sur le bouton du distributeur durant au moins 5 minutes pour expulser l'air de la conduite et remplir le système d'eau. Pendant ce processus, un bruit peut se faire entendre lors de l'expulsion d'air. Pour expulser les impuretés de la conduite, jetez les premiers 6 verres d'eau.

REMARQUE : Pour prévenir les dépôts, le distributeur doit être essuyé régulièrement à l'aide d'un linge ou d'une éponge propre.

Renseignements importants concernant votre distributeur

- N'ajoutez pas dans le bac des glaçons provenant d'un moule ou d'un sac de glaçons du commerce car ils peuvent être difficiles à concasser ou à distribuer.
- Évitez de trop remplir les verres de glaçons et d'utiliser des verres étroits. La glace refoulée peut bloquer la glissière ou son volet. Si des glaçons bloquent la glissière, retirez le bac et débloquez la glissière au moyen d'une cuillère en bois.
- Ne placez pas de boissons ni d'aliments dans le bac à glace pour les rafraîchir. Les boîtes, bouteilles et paquets alimentaires peuvent bloquer la machine à glaçons ou la vis sans fin.
- Pour être certain de viser la glace dans le verre, placez celui-ci près de l'orifice du distributeur, sans y toucher.
- De la glace concassée peut tomber dans le verre malgré la sélection de l'option **CUBED ICE** (glaçons). Cela se produit à l'occasion lorsque quelques glaçons sont dirigés par erreur vers le broyeur.
- Après la distribution de glace concassée, de l'eau peut s'écouler de la glissière.
- Un amas de givre se forme parfois sur le volet de la glissière. Ceci est normal et se produit généralement après des distributions répétées de glace concassée. Le givre s'évaporera après quelque temps.

Filtre d'eau à cartouche MWF de GE Appliances®

Filtre d'eau à cartouche

Le filtre d'eau à cartouche se trouve dans le coin supérieur arrière droit du compartiment réfrigérateur.

Quand remplacer le filtre sur les modèles avec voyant de remplacement

Un voyant de remplacement du filtre d'eau se trouve sur le distributeur. Une lumière rouge clignote pour signaler qu'il faut remplacer le filtre à brève échéance.

Le filtre à cartouche doit être remplacé lorsque le voyant vire au rouge ou si le débit d'eau du distributeur ou de la machine à glaçons diminue.

Quand remplacer le filtre sur les modèles sans voyant de remplacement

La cartouche du filtre doit être remplacée tous les six mois ou plus tôt si le débit d'eau du distributeur ou de la machine à glaçons diminue.

Retrait du filtre à cartouche

Si vous remplacez le filtre à cartouche, retirez d'abord celui qui est périmé en le tournant lentement vers la gauche. Ne poussez pas sur le filtre vers le bas. Une petite quantité d'eau peut dégoutter.

REMARQUE : Pour réduire les risques de dommages causés par les fuites d'eau, veuillez lire et suivre les instructions avant l'installation et l'utilisation de ce système. L'installation et l'utilisation DOIVENT satisfaire tous les codes de plomberie nationaux et locaux.

ATTENTION Lors de son retrait, le filtre à cartouche risque d'être éjecté si de l'air est emprisonné dans le système. Veuillez user de prudence.

AVERTISSEMENT

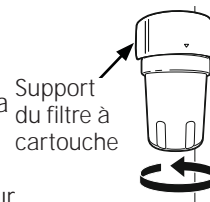
Pour réduire le risque d'étouffement, ne laissez pas les enfants âgés de moins de 3 ans atteindre les petites pièces pendant l'installation du produit. Le filtre à cartouche jetable doit être remplacé tous les 6 mois dans les conditions d'utilisation prescrites, ou plus tôt si une diminution évidente de son débit est observée.

Pour bénéficier au maximum de votre système de filtration, GE Appliances recommande l'utilisation de filtres de marque GE Appliances seulement. L'utilisation de filtres de marque GE Appliances avec des réfrigérateurs GE Appliances et Hotpoint® procure un rendement et une fiabilité optimaux. Les filtres GE Appliances satisfont les normes NSF rigoureuses de l'industrie relative à la sécurité et la qualité, facteur important pour les produits qui filtrent votre eau. GE Appliances n'a pas évalué le rendement des filtres d'autres marques dans les réfrigérateurs GE Appliances et Hotpoint et il n'existe aucune assurance qu'ils satisferont les normes de qualité, de rendement et de fiabilité GE Appliances.

Pour toute question, ou pour commander des filtres à cartouche de rechange, visitez notre site Web au www.gewaterfilters.com, ou pour joindre le service des Pièces et accessoires GE Appliances composez le 800.626.2002. (Canada 1.800.626.2002 ou www.electromenagersge.ca/fr/produits/filtres-et-accessoires ou composez le 1.800.661.1616).

Installation du filtre à cartouche

1. Remplissez le filtre avec de l'eau du robinet pour faciliter l'écoulement depuis le distributeur immédiatement après l'installation.
2. Alignez la flèche sur la cartouche sur celle du support du filtre. Placez le dessus du nouveau filtre à cartouche vers le haut dans son support. Ne poussez pas le filtre vers le haut dans son support.
3. Tournez le filtre lentement vers la droite jusqu'à ce qu'il s'arrête. **NE SERREZ PAS TROP.** En tournant le filtre, il se soulèvera automatiquement en position. Le filtre tournera sur environ ½ tour.
4. Faites couler 6 litres d'eau du distributeur (environ trois minutes) pour nettoyer le système et éviter les éclaboussures.
5. Maintenez une pression sur la touche RESET WATER FILTER (réinitialiser le filtre d'eau) (certains modèles) du distributeur durant trois secondes.



REMARQUE : De l'eau peut gicler du distributeur suite à l'installation d'un nouveau filtre d'eau.

Bouchon de dérivation du filtre

Vous devez utiliser le bouchon de dérivation du filtre lorsqu'un filtre à cartouche n'est pas disponible. Le distributeur et la machine à glaçons ne pourront pas fonctionner sans filtre ou sans bouchon de dérivation.



SmartWater

Tablettes et balconnets

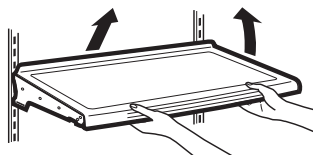
Toutes les caractéristiques ne sont pas disponibles sur tous les modèles.

Disposition des tablettes du réfrigérateur

Les tablettes du compartiment réfrigérateur sont réglables.

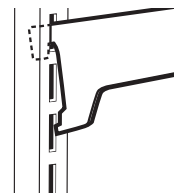
Pour retirer les tablettes :

1. Pour retirer les tablettes :
2. Soulevez la tablette à l'avant.
3. Soulevez la tablette à l'arrière et faites-la sortir.



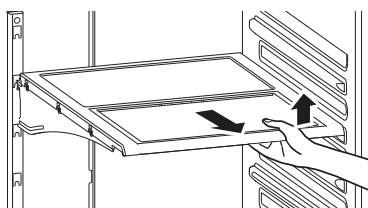
Pour replacer les tablettes :

1. En soulevant la tablette à l'avant, insérez le crochet supérieur à l'arrière de la tablette dans une fente du rail.
2. Abaissez le devant de la tablette jusqu'à ce que le bas de la tablette se fixe en place.



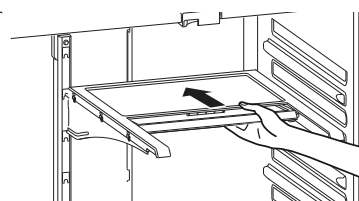
Tablette Quick Space (certains modèles)

Cette tablette se sépare en deux moitiés dont l'une se glisse sous l'autre pour permettre le rangement d'articles en hauteur sur la tablette du dessous.



Cette tablette peut s'enlever pour remise en place ou repositionnement.

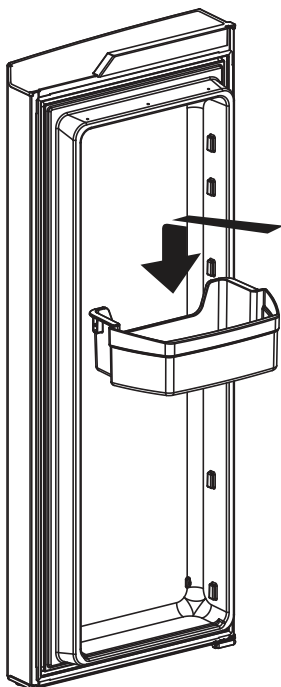
REMARQUE : La moitié arrière de la tablette Quick Space n'est pas réglable.



Balconnets réglables (certains modèles)

Pour retirer : Soulevez l'avant du balconnet en ligne droite, puis sortez-le.

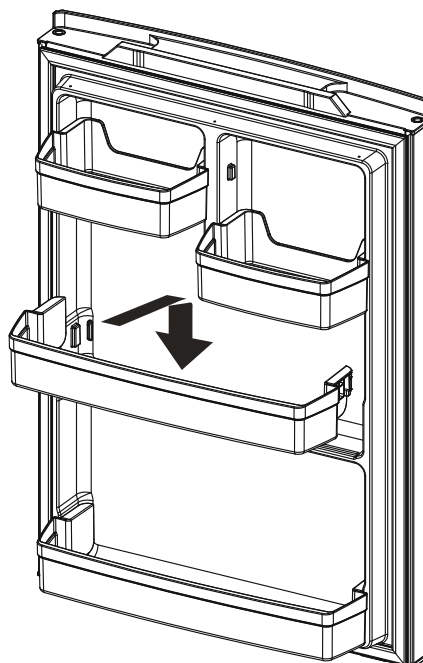
Pour replacer : Engagez le balconnet dans les supports moulés de la porte et poussez vers le bas pour verrouiller en place.



Balconnets 4 litres non réglables (non réglables)

Pour retirer : Soulevez le balconnet en ligne droite, puis sortez-le.

Pour replacer : Engagez le balconnet dans les supports moulés de la porte et poussez vers le bas pour verrouiller en place.



Bacs et tiroirs

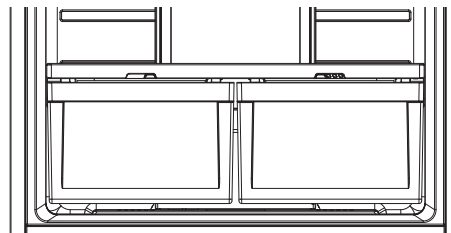
Toutes les caractéristiques ne sont pas disponibles sur tous les modèles.

Bacs climatisés

Conservez les fruits et les légumes dans des compartiments séparés pour faciliter l'accès. On doit essuyer l'excédent d'humidité pouvant s'accumuler dans le fond ou le dessous des tiroirs.

Pour retirer un bac :

Glissez le bac vers l'extérieur jusqu'à ce qu'il s'arrête, soulevez-le vers le haut en dépassant la position d'arrêt puis tirez-le vers l'avant.



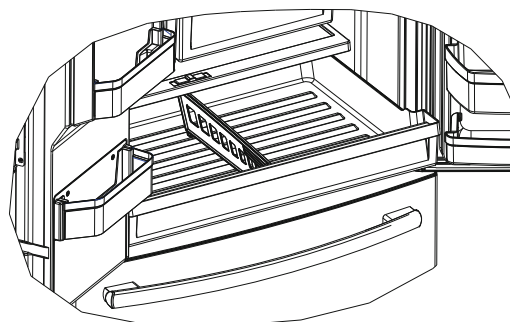
Bac pleine largeur (certains modèles)

Pour retirer le bac :

1. Tirez le bac vers l'extérieur jusqu'à la position d'arrêt.
2. Soulevez l'avant du tiroir puis tirez-le vers l'extérieur.

Pour replacer le bac :

1. Placez d'abord l'arrière du tiroir puis faites pivoter l'avant vers le bas pour le déposer sur les glissières.
2. Poussez le tiroir au fond jusqu'à la position fermée.



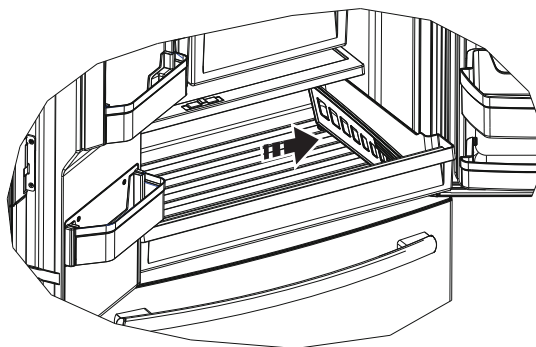
Retirer et replacer le séparateur de tiroir

Pour retirer :

1. Tirez le tiroir vers l'extérieur jusqu'à la position d'arrêt.
2. Glissez le séparateur vers la droite pour le sortir du bac.

Pour replacer :

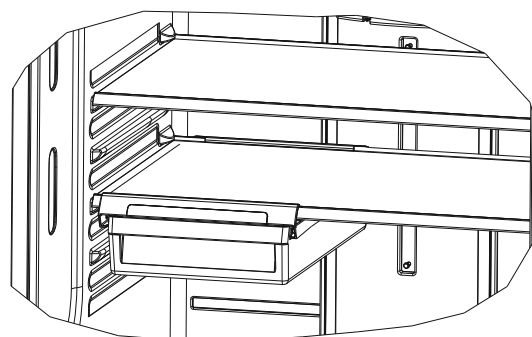
Inversez les étapes 1 et 2 pour replacer le séparateur.



Bac à collation mobile (certains modèles)

Ce bac peut se déplacer pour répondre à vos besoins.

Pour le retirer, glissez le bac vers l'extérieur jusqu'à la position d'arrêt, soulevez-le en dépassant la position d'arrêt, puis de nouveau pour le sortir.



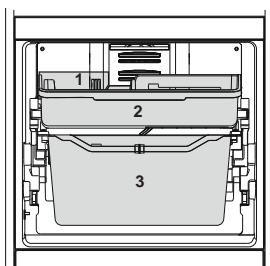
Tiroir du congélateur . (certains modèles)

Toutes les caractéristiques ne sont pas disponibles sur tous les modèles.

PANIER DU CONGÉLATEUR

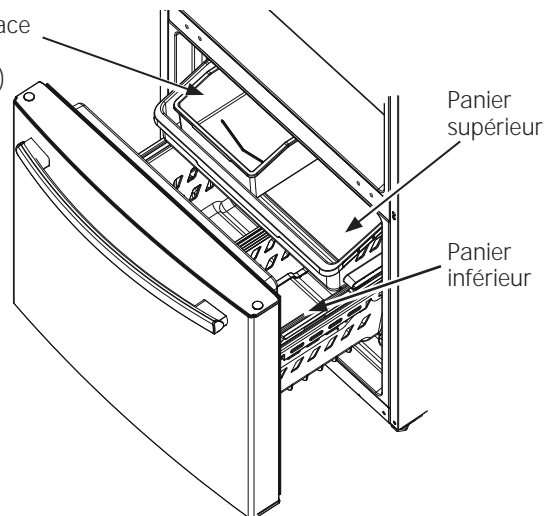
1. Un bac à glace dans le panier supérieur (certains modèles).
2. Un panier pleine largeur supérieur.
3. Un panier pleine largeur inférieur (avec séparateur – certains modèles).

REMARQUE : Ne remplissez pas les paniers au-delà de leur bord. Ils pourraient se coincer en les ouvrant ou fermant.



L'aspect et les caractéristiques peuvent varier

Bac à glace (certains modèles)



Retrait du panier supérieur

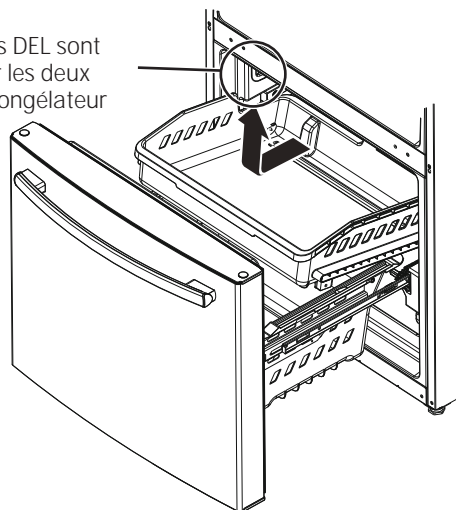
Pour retirer le panier pleine largeur supérieur sur les modèles à tiroir de congélateur :

1. Tirez le panier vers l'extérieur jusqu'à la position d'arrêt.
2. Soulevez le panier pour le dégager des glissières.

Lors de la remise en place du panier, assurez-vous que celui-ci est bien monté sur les rails latéraux, par-dessus les glissières du panier inférieur.

REMARQUE : Assurez-vous de toujours fermer ce panier à fond.

Les lampes DEL sont situées sur les deux côtés du congélateur



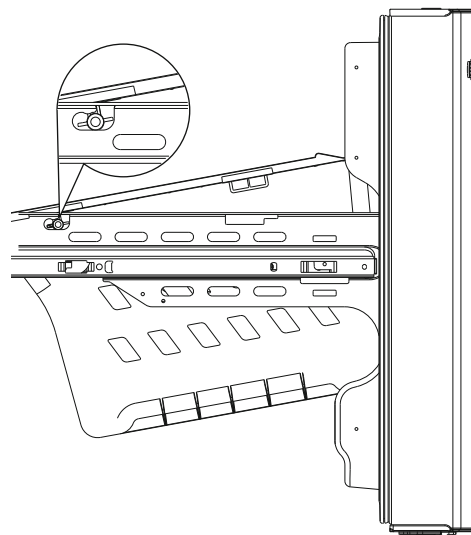
Retrait du panier inférieur

Pour retirer le panier pleine largeur inférieur sur les modèles à tiroir de congélateur :

1. Tirez le panier vers l'extérieur jusqu'à ce qu'il s'arrête.
2. Retirez le panier de congélateur supérieur.
3. Le panier de congélateur inférieur repose sur les languettes intérieures des glissières du tiroir.
4. Soulevez l'avant du panier et tirez vers l'avant.
5. Dégagez la tige de la fente pour sortir le panier.

Lors de la remise en place du panier pleine largeur inférieur, penchez celui-ci vers le bas puis baissez-le dans le tiroir. Faites pivoter le panier en position horizontale puis poussez-le vers le bas. Assurez-vous de replacer la tige dans la fente.

REMARQUE : Veillez toujours à ce que le panier repose sur les languettes du support avant de le glisser dans le congélateur.



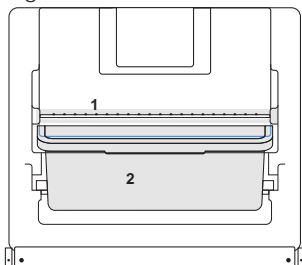
Compartiments du congélateur . (certains modèles)

Toutes les caractéristiques ne sont pas disponibles sur tous les modèles.

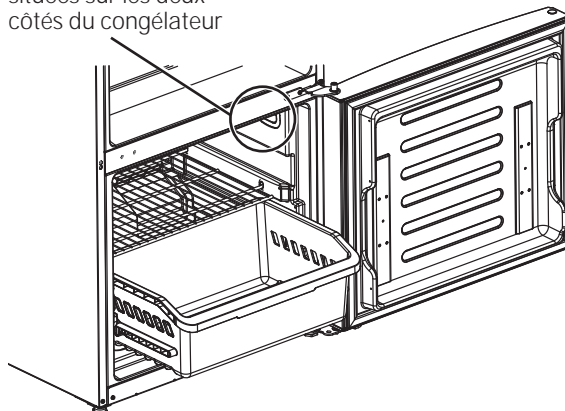
TABLETTE ET PANIER DU CONGÉLATEUR

1. Une clayette (en broche) fixe pleine grandeur.
2. Un panier en plastique coulissant pleine grandeur.

REMARQUE : Ne remplissez pas les paniers au-delà de leur bord. Ils pourraient se coincer en les ouvrant ou fermant.



Les lampes DEL sont situées sur les deux côtés du congélateur

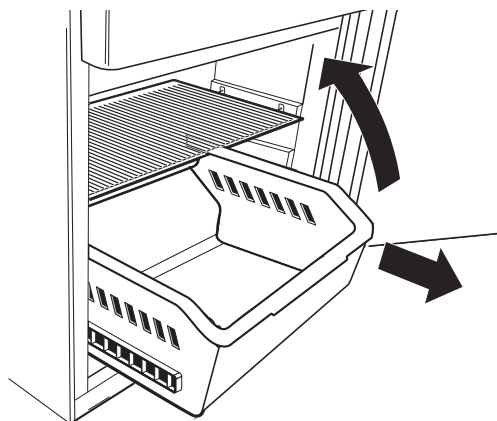


Retrait du panier

Pour retirer le panier coulissant pleine grandeur sur les modèles à porte de congélateur :

1. Tirez le panier jusqu'à sa pleine extension.
2. Soulevez l'avant du panier et tirez en ligne droite pour le sortir.

Lors de la remise en place, insérez le panier en plastique dans les rails inférieurs puis poussez-le en place.

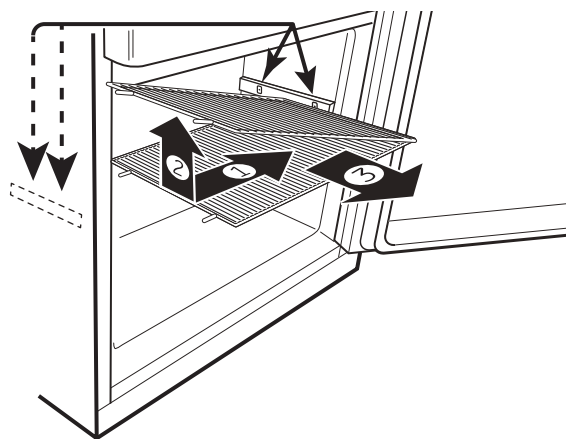


Retrait de la clayette fixe

REMARQUE : La clayette (en broche) pleine grandeur n'est pas conçue pour coulisser.

Pour retirer la clayette pour la nettoyer, poussez-la sur un côté tout en soulevant le côté opposé puis sortez la clayette.

Pour replacer la clayette pleine grandeur, insérez un côté dans le support, puis poussez-la vers ce côté jusqu'à ce que le côté opposé s'engage dans le support.



Machine à glaçons automatique.

Un réfrigérateur nouvellement installé prendra de 12 à 24 heures pour commencer à fabriquer de la glace.

Machine à glaçons automatique (certains modèles)

La machine à glaçons produira sept cubes par cycle, soit environ 100 à 130 cubes pendant une période de 24 heures, selon la température du congélateur, la température ambiante, le nombre d'ouvertures de porte et d'autres conditions d'emploi.

Si l'on se sert du réfrigérateur avant de raccorder l'alimentation d'eau à la machine à glaçons, mettez l'interrupteur de courant à la position OFF (arrêt).

Une fois le réfrigérateur raccordé à l'alimentation d'eau, mettez l'interrupteur de courant à la position ON (marche).

La machine à glaçons se remplit d'eau lorsqu'elle se refroidit à 15 °F (-10 °C).

Un réfrigérateur nouvellement installé prendra de 12 à 24 heures pour commencer à fabriquer de la glace.

Un bourdonnement peut se faire entendre à chaque fois que la machine se remplit d'eau.

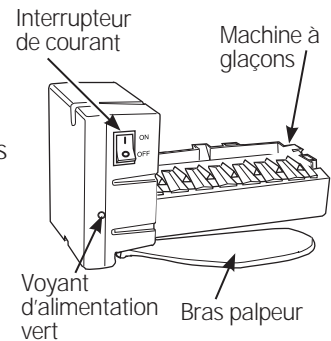
Jetez les premiers lots de glace pour permettre à la conduite d'eau de se nettoyer.

Assurez-vous que rien ne gêne le mouvement du bras palpeur.

Lorsque le bac se remplit au niveau du bras palpeur, la machine cesse de produire de la glace. Il est normal que des cubes s'agglutinent.

Si la glace n'est pas utilisée souvent, les vieux cubes deviendront opaques et rétrécis, et leur goût, insipide.

REMARQUE : Dans les maisons où la pression est inférieure à la normale, vous entendrez la machine à glaçons démarrer plusieurs fois pour produire un lot de glace.



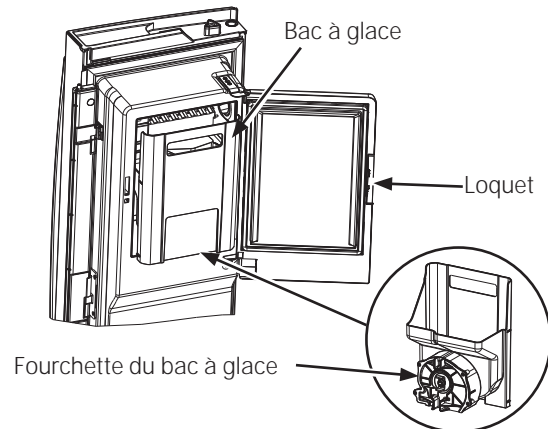
AVERTISSEMENT

Pour réduire le risque de blessure, évitez de toucher les pièces mobiles du mécanisme de la machine à glaçons ainsi que l'élément chauffant qui libère les cubes. Ne placez ni les doigts ni les mains sur le mécanisme de la machine à glaçons lorsque le réfrigérateur est branché.

Modèles de réfrigérateur équipés d'une machine à glaçons dans la porte

Bac à glace et distributeur

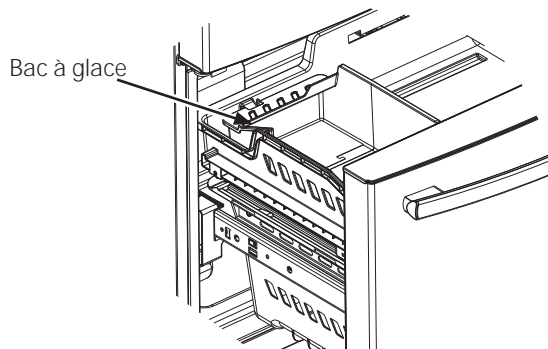
- Ouvrez le panneau d'accès de la boîte à glace sur l'intérieur de la porte gauche.
- Soulevez et sortez le bac à glace de la porte gauche pour le sortir du compartiment.
- Pour replacer le bac, placez-le sur les supports et poussez-le jusqu'à ce qu'il repose correctement en place.
- Si la remise en place est impossible, tournez la fourchette du bac sur ¼ de tour dans le sens des aiguilles d'une montre.
- On peut allumer et éteindre la machine à glaçons à l'aide des commandes (voir la section *Commandes* aux pages 6 et 7).



Modèles de réfrigérateur équipés d'une machine à glaçons dans le compartiment congélateur

Certains modèles sont livrés avec la machine à glaçons déjà installée dans le compartiment congélateur. L'ensemble de machine à glaçons IM-4D ou IM-5D est offert pour les modèles conçus pour en recevoir. visitez notre site Web au GEAppliances.com, ou composez le 800.626.2002 pour joindre le service des Pièces et accessoires GE Appliances. (Au Canada, composez le 1.800.661.1616 ou visitez la page electromenagersge.ca/fr/produits/filtres-et-accessoires).

Du rangement pour la glace se trouve du côté gauche du panier supérieur du congélateur. Tirez le panier supérieur vers l'avant pour retirer le bac à glace.



Entretien et nettoyage du réfrigérateur.

Nettoyage de l'extérieur

Panneaux, poignées de porte et garniture en acier inoxydable.

N'utilisez pas de la cire pour électroménagers, des produits à polir, des javellisants ni d'autres produits contenant du chlore sur de l'acier inoxydable.

Pour le nettoyage, utilisez un nettoyant pour acier inoxydable du commerce, le format vaporisateur donnent les meilleurs résultats.

Pièces en plastique au fini argenté

Lavez ces pièces avec du savon ou un autre détergent doux. Essuyez avec une éponge, un linge humide ou une serviette de papier.

N'utilisez pas des tampons à récurer, des nettoyants en poudre, des javellisants ni des produits contenant du chlore car tous ces produits peuvent rayer ou ternir le fini.

Pour nettoyer le plateau antidébordement, utilisez un détartrant.

Nettoyage de l'intérieur

Débranchez le réfrigérateur avant le nettoyage.

Si cela n'est pas commode, essorez le surplus d'humidité de l'éponge ou du linge avant de nettoyer autour des interrupteurs, des lampes et des commandes.

Utilisez une cire pour électroménagers sur la surface intérieure entre les portes.

Utilisez une solution d'eau chaude et de bicarbonate de soude (environ une cuillère à soupe ou 15 ml) dans 1 litre d'eau. Cette solution nettoie tout en neutralisant les odeurs. Rincez et essuyez pour sécher.



ATTENTION Évitez de nettoyer les tablettes ou les couvercles en verre à l'eau chaude lorsqu'ils sont froids car ils peuvent éclater suite à un choc ou un écart de température soudain. Le verre trempé est conçu pour éclater en très petites pièces s'il se brise

Derrière le réfrigérateur

Prenez un soin particulier lorsque vous éloignez le réfrigérateur du mur. Tous les types de revêtement de sol peuvent être endommagés, en particulier ceux qui sont coussinés ou dont la surface est gaufrée.

Soulevez les pieds de nivellement situés dans le bas à l'avant du réfrigérateur.

Déplacez le réfrigérateur en ligne droite pour l'éloigner ou le repousser à sa place. Un mouvement latéral risque d'endommager le revêtement de plancher ou le réfrigérateur.

Abaissez les pieds de nivellement jusqu'à ce qu'ils touchent le sol.

En poussant le réfrigérateur en place, veillez à ne pas le faire rouler sur le cordon d'alimentation ou la conduite d'eau.

Départ en vacances

Lorsque vous vous absentez durant une longue période, retirez les aliments et débranchez le réfrigérateur. Nettoyez l'intérieur avec une solution d'une cuillère à soupe (15 ml) de bicarbonate de soude par litre d'eau. Laissez les portes ouvertes.

Si la température risque de descendre sous le point de congélation, demandez à un technicien qualifié de vidanger la conduite d'eau afin de prévenir les dégâts sérieux causés par l'inondation.

1) Éteignez le réfrigérateur (pages 6 et 7) ou débranchez-le.

2) Videz le bac à glace.

3) Coupez l'alimentation d'eau.

Si vous coupez l'alimentation d'eau, éteignez la machine à glaçons (p.14).

Au retour des vacances :

1) Remplacez le filtre à eau.

2) Faites circuler 8 litres d'eau par le distributeur d'eau froide (environ 5 minutes) pour nettoyer le système.

Déménagement

À l'aide de ruban adhésif, immobilisez tous les éléments amovibles tels que tablettes et tiroirs pour éviter de les endommager.

Si vous utilisez un diable pour déplacer le réfrigérateur, ne laissez pas le devant ou l'arrière de l'appareil reposer contre

le diable pour ne pas l'endommager.

Manipulez le réfrigérateur par ses côtés seulement.

Assurez-vous de maintenir le réfrigérateur debout pendant le déménagement.

Remplacement des lampes

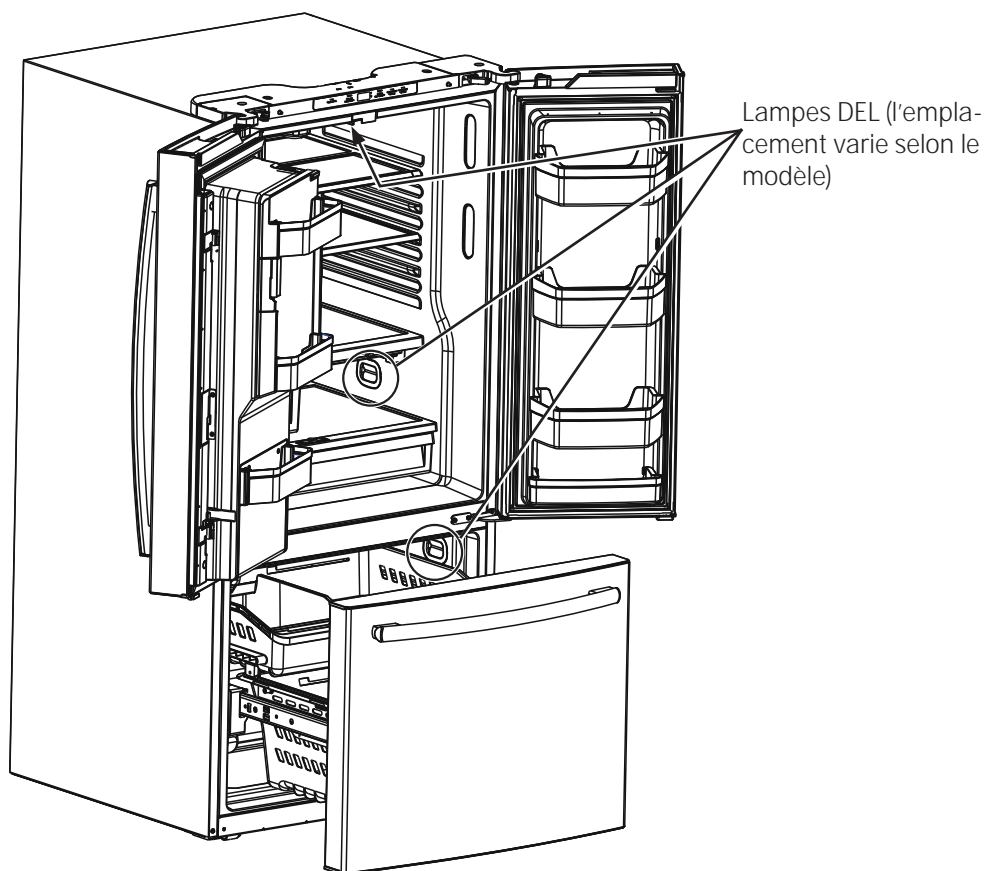
Lampes DEL du réfrigérateur

L'éclairage DEL du compartiment réfrigérateur des modèles à deux portes est situé dans le centre supérieur et sur les côtés gauche et droit au-dessus des bacs climatisés. L'éclairage DEL des modèles à une porte est situé dans le haut du compartiment réfrigérateur.

Des lampes DEL sont aussi situées dans le haut des côtés gauche et droit du congélateur sur tous les modèles.

Un technicien agréé devra remplacer l'éclairage DEL.

Si ce composant doit être remplacé, composez 1.800.432.2737 pour joindre le service GE Appliances aux États-Unis ou le 1.800.561.3344 au Canada.



Instructions d'installation

Réfrigérateur

Questions? Composez le 800.GE.CARES (800.432.2737) ou visitez notre site Web : GEAppliances.com
Au Canada, composez le 1.800.561.3344 ou visitez notre site Web : www.electromenagersge.ca

AVANT DE COMMENCER

Veillez lire toutes les directives attentivement

- **IMPORTANT** – Conservez ces instructions pour l'inspecteur local. Respectez toutes les ordonnances et les codes locaux.
- **Note à l'installateur** – Assurez-vous de laisser ces instructions au consommateur.
- **Note au consommateur** – Conservez ces instructions pour référence future.
- **Niveau de compétence** – L'installation de cet appareil nécessite des compétences mécaniques de base.
- **Temps d'installation** – Installation du réfrigérateur 20 minutes
Installation de la conduite d'eau - 30 minutes
- L'installateur est responsable de bien installer ce réfrigérateur.
- Toute panne du produit due à une mauvaise installation n'est pas couverte par la garantie

PRÉPARATION

DÉPLACEMENT DU RÉFRIGÉRATEUR À L'INTÉRIEUR DE LA MAISON

Si le réfrigérateur ne passe pas par la porte, vous pouvez enlever la porte du compartiment réfrigération et le tiroir du compartiment congélation.

- Pour enlever la porte du compartiment réfrigération, consultez l'étape 1 de la section Changement du sens d'ouverture de la porte.
- Pour enlever le tiroir du compartiment congélation, consultez la section Retrait du tiroir du compartiment congélation.

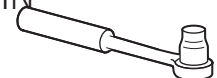
ALIMENTATION D'EAU DE LA MACHINE À GLAÇONS ET DU DISTRIBUTEUR

Si votre réfrigérateur est doté d'une machine à glaçons, la machine à glaçons doit être raccordée à une conduite d'eau froide. Vous pouvez acheter une trousse d'alimentation d'eau GE Appliances (contenant la tuyauterie, le robinet d'arrêt, les joints et les instructions) chez votre revendeur ou en vous adressant à notre site Web à l'adresse GEAppliances.com (au Canada www.electromenagersge.ca) ou en composant le 800.626.2002 pour joindre le service des Pièces et accessoires (au Canada 1.800.661.1616).

OUTILS DONT VOUS POUVEZ AVOIR BESOIN



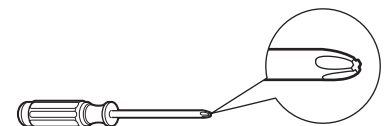
Clé réglable



Clé à douille 3/8 et 5/8 po



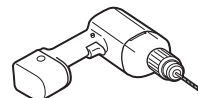
Écrou à compression d'un diamètre intérieur de 1/4 po et bague (modèles à machine à glaçons seulement)



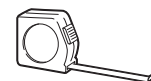
Tournevis cruciforme



Clé hexagonale 3/32, 1/8 et 3/16 po



Perceuse électrique ou manuelle et foret 1/8 po



Ruban à mesurer



Crayon



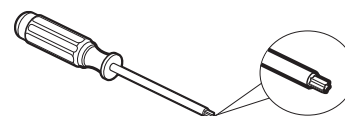
Tourne-écrou



Cisaille



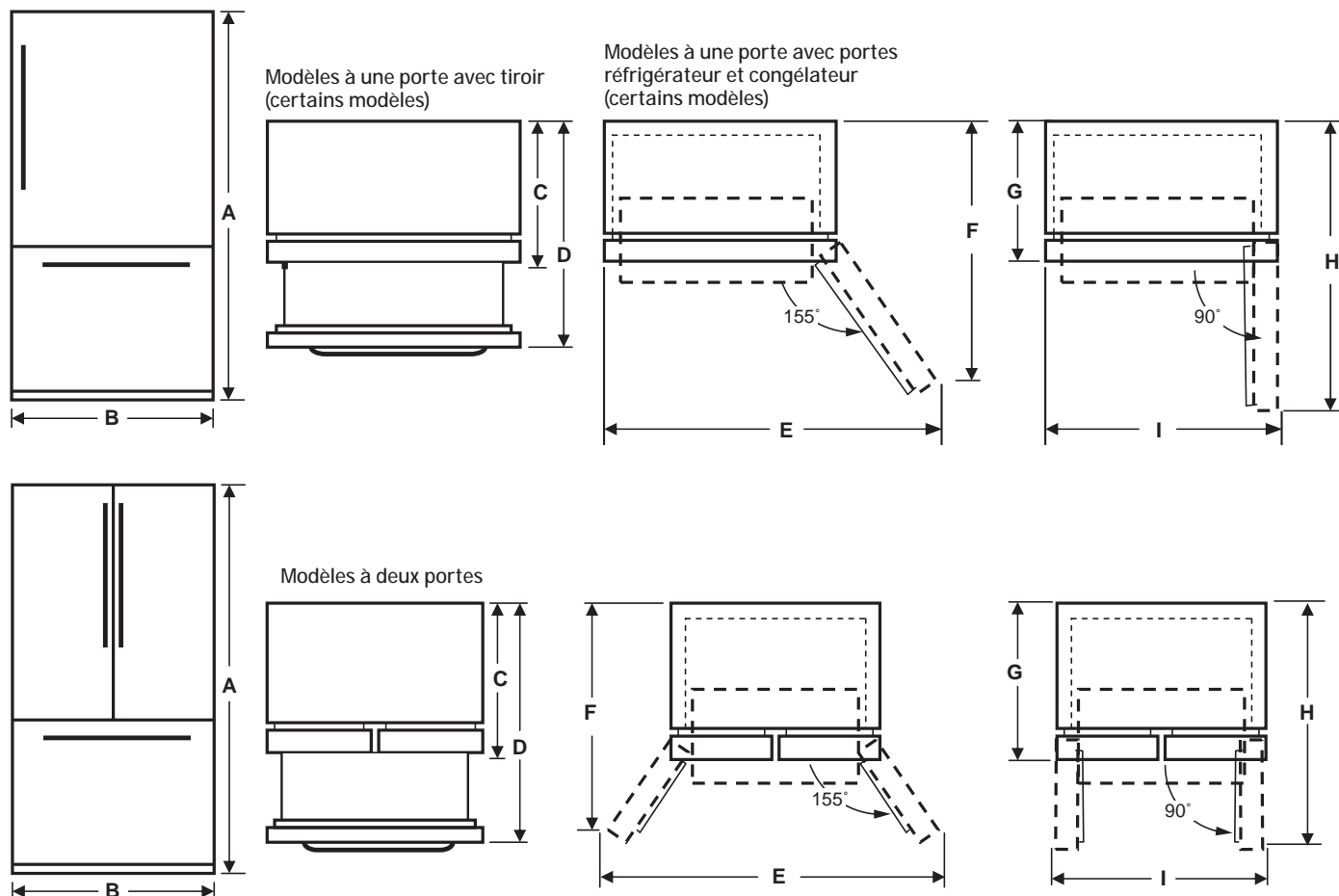
Niveau



Tournevis Torx T20

Instructions d'installation

DIMENSIONS DE L'ÉLECTROMÉNAGER



ART.	Modèles 1 porte 21 pi.cu.	Modèles 2 portes 21 pi.cu.	Modèles 1 porte 25 pi.cu.	Modèles 2 portes 24/25 pi.cu.
A*	69 7/8 po	69 7/8 po	69 7/8 po	69 7/8 po
B	30 po	30 po	33 po	33 po
C**	36 1/8 po	36 3/8 po	37 3/8 po	37 1/8 po
D**	-	54 po	54 3/4 po	54 3/4 po
E	55 po	54 7/8 po	60 1/2 po	60 1/2 po
F	45 5/8 po	37 po	48 po	38 3/4 po
G	33 7/8 po	34 3/8 po	34 7/8 po	35 3/8 po
H	61 po	45 7/8 po	65 po	48 3/8 po
I**	33 1/2 po	37 5/8 po	36 po	40 1/2 po

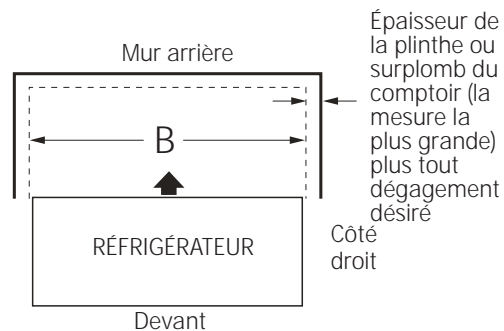
REMARQUE :

* Hauteur du réfrigérateur depuis le dessus de la porte.

** Comprend la poignée.

MESUREZ L'OUVERTURE DANS L'ARMOIRE SELON LA LARGEUR DU RÉFRIGÉRATEUR

Mesurez B, la largeur de l'ouverture de l'armoire dans laquelle vous voulez mettre votre réfrigérateur. Assurez-vous de tenir compte de tout surplomb du comptoir, de l'épaisseur de la plinthe et de tout dégagement désiré. La largeur B ne doit pas être inférieure à 30-33 pouces (selon le modèle). Vous devez placer le réfrigérateur approximativement au milieu de cette ouverture.



Instructions d'installation

INSTALLATION DU RÉFRIGÉRATEUR

EMPLACEMENT DU RÉFRIGÉRATEUR

- N'installez pas votre réfrigérateur dans un emplacement où la température ambiante sera inférieure à 16° C (60° F). Il ne se mettra pas en marche suffisamment souvent pour maintenir des températures convenables.
- N'installez pas votre réfrigérateur dans un emplacement où la température ambiante sera supérieure à 37° C (100° F). Il ne fonctionnera pas bien.
- N'installez pas votre réfrigérateur à un endroit exposé à l'eau (pluie, etc.) ou aux rayons directs du soleil.
- Installez votre réfrigérateur sur un plancher suffisamment solide pour le porter lorsqu'il est plein.

DÉGAGEMENTS

Prévoyez les dégagements suivants pour faciliter l'installation, la bonne circulation d'air et les raccordements de plomberie et d'électricité :

Côtés	3 mm (1/8 po)	
Dessus	25 mm (1 po)	Armoire/Couvercle de charnière
Arrière	50 mm (2 po)	

REMARQUES IMPORTANTES

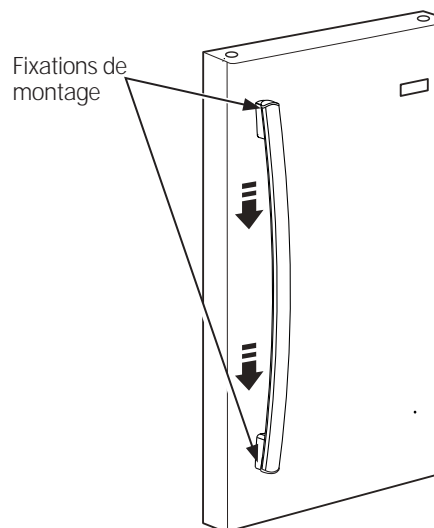
Ce réfrigérateur sans les poignées mesure de 34 à 35 ¼ po selon votre modèle (voir la dimension G à la page précédente). Les portes et les passages menant à l'emplacement final de l'installation doivent mesurer au moins 36 po afin de laisser les portes fixées au réfrigérateur lors de son déplacement vers sa destination. Si les passages mesurent moins de 36 po, les portes du réfrigérateur peuvent facilement être rayées ou autrement endommagées. Les portes peuvent s'enlever pour permettre le transport à l'intérieur en toute sûreté.

- Si vous devez enlever une porte d'un modèle à deux portes, reportez-vous à la section *Enlèvement des portes d'un modèle à deux portes* à la page 20.
- Si vous devez enlever la porte d'un modèle à une porte, reportez-vous à la section *Inversion de la porte* à la page 26.
- Pour enlever la porte du congélateur sur un modèle doté d'un tiroir de congélateur, reportez-vous à la section *Enlèvement du tiroir du congélateur* à la page 24.
- Si vous avez le modèle doté d'une porte de congélateur à charnière, reportez-vous à la section *Inversion de la porte* à la page 26.
- Il n'est PAS nécessaire d'enlever les poignées et les portes, passez directement à l'étape 6. Laissez le ruban et tous les matériaux d'emballage sur les portes jusqu'à l'emplacement final. Une fois le réfrigérateur en place, installez les poignées de porte (voir l'étape 1).
- **ENLÈVEMENT DU PATIN** : Faites basculer le réfrigérateur de chaque côté pour enlever le patin.
- **REMARQUE** : Utilisez un diable rembourré pour déplacer le réfrigérateur. Placez le réfrigérateur avec un de ses côtés contre le diable. Nous vous recommandons vivement d'utiliser DEUX PERSONNES pour déplacer le réfrigérateur et l'installer.

1 FIXATION DES POIGNÉES DU COMPARTIMENT RÉFRIGÉRATEUR

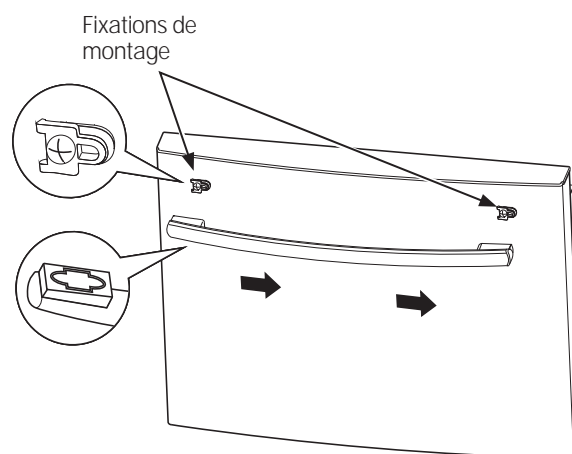
Fixez la poignée aux fixations de montage en alignant les fentes de la poignée sur les fixations. Glissez la poignée vers le bas jusqu'à entendre un clic.

REMARQUE : Pour les modèles à deux portes, suivez la même procédure pour les deux portes.



2 FIXATION DES POIGNÉES DU CONGÉLATEUR

Fixez la poignée aux fixations de montage en alignant les fentes de la poignée sur les fixations. Glissez la poignée vers le bas jusqu'à entendre un clic.



Instructions d'installation

ENLÈVEMENT DES PORTES (modèles à deux portes)

REMARQUES IMPORTANTES

Avant d'enlever les portes :

- Lisez les instructions jusqu'au bout avant de commencer.
- Les poignées sont incluses à l'intérieur du réfrigérateur.
- Placez les vis à proximité des pièces associées pour éviter de les utiliser aux mauvais endroits.
- Placez les portes sur une surface de travail qui ne les rayera pas.

ATTENTION

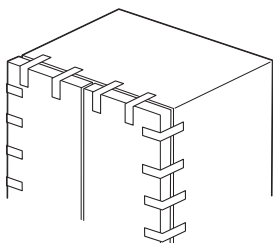
Soulèvement de poids lourd. Une seule personne risque de se blesser à soulever un tel poids. Faites-vous aider lors de la manipulation, le déplacement et le soulèvement des portes de réfrigérateur.

REMARQUE : Lors du déplacement, déposez la porte à un endroit sûr qui n'abîmera ni la porte ni son électronique.

AVERTISSEMENT

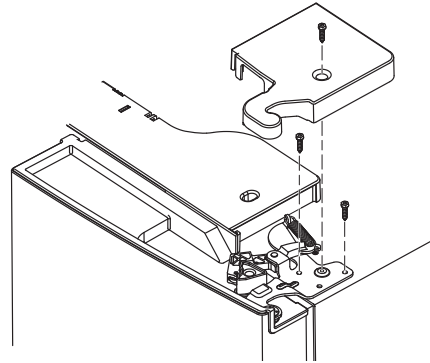
Pour éliminer le risque de choc électrique ou d'autres blessures pendant l'installation, vous devez d'abord débrancher le réfrigérateur avant de procéder. L'omission de suivre cette directive peut causer un choc électrique.

Immobilisez les portes fermées avec du ruban adhésif.



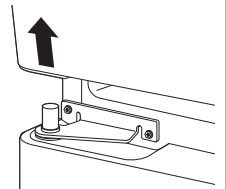
1 ENLÈVEMENT DE LA PORTE DROITE

- A. Enlevez le couvercle de charnière dans le haut de la porte du compartiment réfrigérateur en retirant la vis à l'aide d'un tournevis cruciforme.



- B À l'aide d'une clé à douille 5/16 po, retirez les boulons qui fixent la charnière supérieure sur la carrosserie. Soulevez le support de charnière en ligne droite pour libérer l'axe de charnière de la douille dans le haut de la porte.

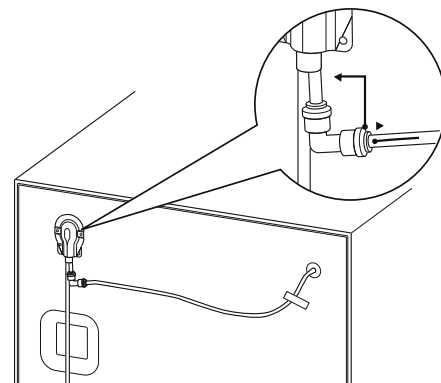
- C. Retirez le ruban de la porte droite et penchez la porte à l'écart de la carrosserie. Soulevez la porte pour la dégager de l'axe de charnière central.



- D. Déposez la porte sur une surface qui ne rayera pas la porte, intérieur vers le haut.

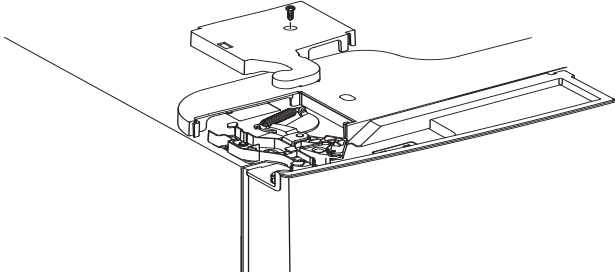
2 ENLÈVEMENT DE LA PORTE GAUCHE

- A. Modèles avec distributeur d'eau et de glace seulement : Déconnectez la conduite d'eau à l'arrière du réfrigérateur et retirez tout le ruban qui fixe la conduite au réfrigérateur.



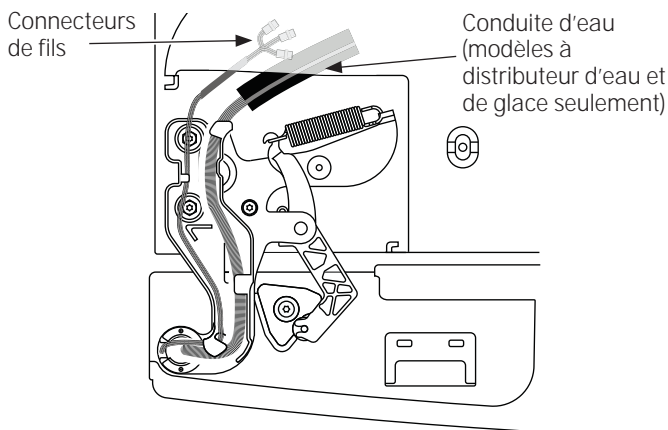
Instructions d'installation

B. Enlevez le couvercle de charnière dans le haut de la porte gauche en retirant la vis à l'aide d'un tournevis cruciforme.

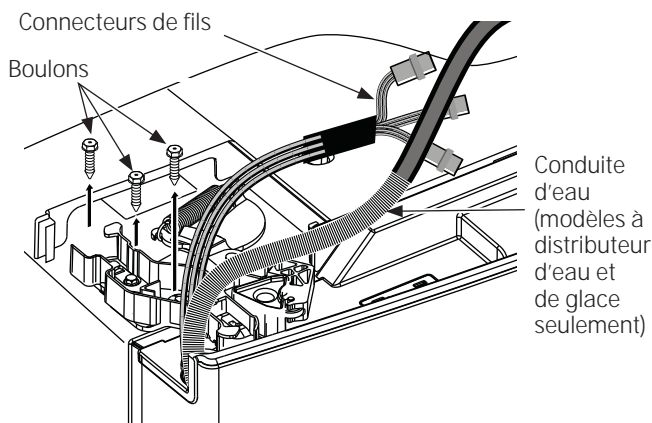


C. Débranchez les 3 connecteurs de fils et déplacez les fils jusqu'à voir les vis qui fixent la charnière.

Modèles à distributeur d'eau et de glace seulement : Tirez sur la conduite d'eau avec précaution.



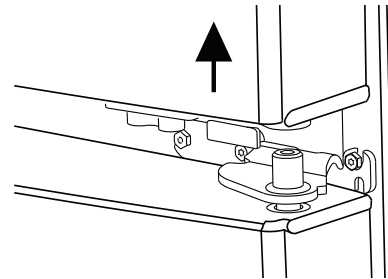
D. À l'aide d'une clé à douille 5/16 po, retirez les boulons qui fixent la charnière supérieure sur la carrosserie.



Modèles SANS distributeur d'eau et de glace seulement : Soulevez la charnière en ligne droite pour dégager l'axe de charnière de la douille dans le haut de la porte et acheminez le fil dans la fente de la charnière. **Modèles à distributeur d'eau et de glace seulement :** N'enlevez pas la charnière de la porte.

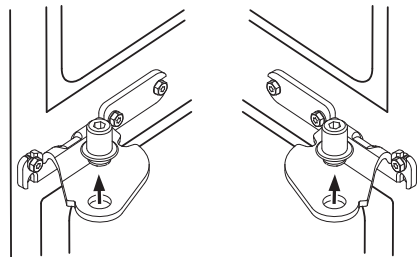
E. Retirez le ruban de la porte, ouvrez la porte sur 90 degrés et penchez-la à l'écart de la carrosserie. Soulevez la porte pour la dégager de l'axe de charnière central.

F. Déposez la porte sur une surface qui ne rayera pas la porte, intérieur vers le haut.

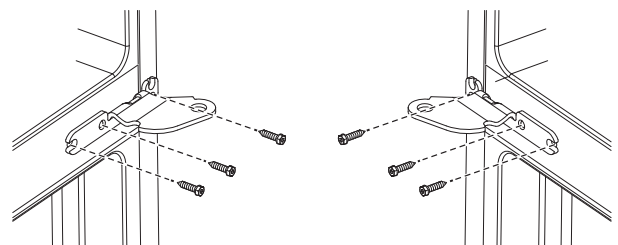


3 ENLÈVEMENT DES CHARNIÈRES ET SUPPORTS CENTRAUX

A. À l'aide d'une clé hexagonale 1/4 po, enlevez les 2 axes de charnière de leurs supports.



B. À l'aide d'une clé à douille 5/16 po, retirez les boulons qui fixent les supports de charnière sur la carrosserie.



Instructions d'installation

RÉINSTALLATION DES PORTES (modèles à deux portes)

REMARQUES IMPORTANTES

Avant de replacer les portes :

- Lisez les instructions jusqu'au bout avant de commencer.

ATTENTION

Lisez les instructions jusqu'au bout avant de commencer.

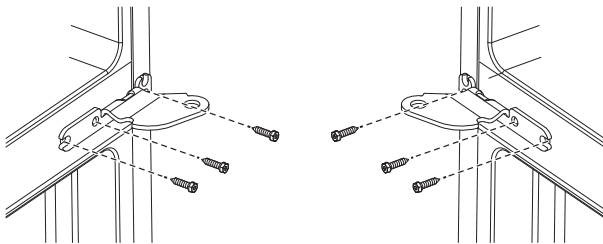
REMARQUE : Lors du déplacement, déposez la porte à un endroit sûr qui n'abîmera ni la porte ni son électronique.

AVERTISSEMENT

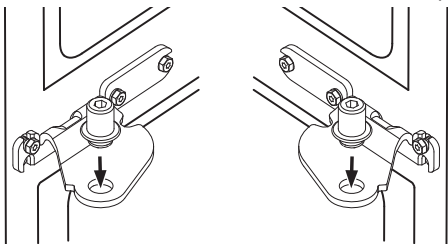
Pour éliminer le risque de choc électrique ou d'autres blessures pendant l'installation, vous devez d'abord débrancher le réfrigérateur avant de procéder. L'omission de suivre cette directive peut causer un choc électrique.

1 RÉINSTALLATION DES SUPPORTS DE CHARNIÈRE ET DES CHARNIÈRES CENTRAUX

- A. À l'aide d'une clé à douille 5/16 po, refixez les boulons et les supports de charnière centraux sur la carrosserie.

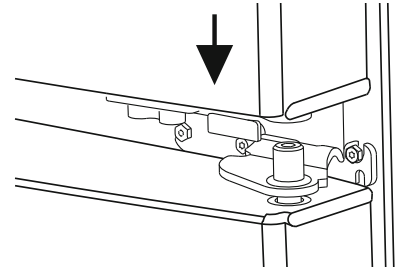


- B. À l'aide d'une clé hexagonale 1/4 po, refixez les 2 axes de charnière dans leurs supports.

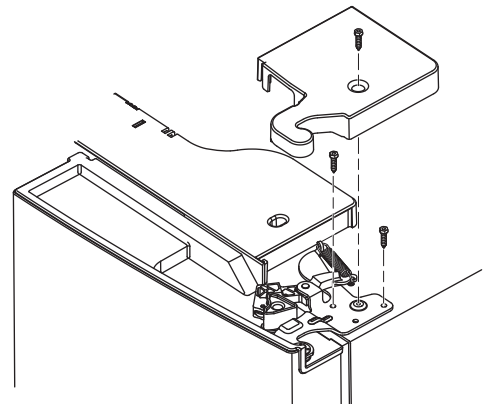


2 RACCROCHAGE DE LA PORTE DROITE

- A. Abaissez la porte dans l'axe de la charnière droite.



- B. Assurez-vous que la porte est alignée sur la carrosserie. Fixez lâchement la charnière sur le haut de la carrosserie à l'aide des boulons retirés précédemment.
- C. Assurez-vous que le joint d'étanchéité de la porte s'appuie totalement contre la carrosserie, sans plis. Serrez les boulons avec un couple serrage de 60 lb-po.

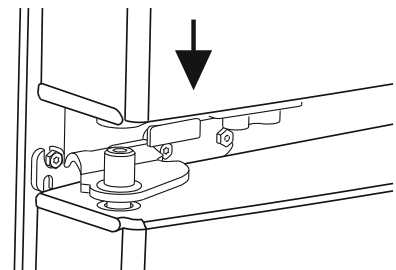


- D. Remplacez le couvercle de la charnière droite dans le haut du réfrigérateur à l'aide d'un tournevis cruciforme.

3 RACCROCHAGE DE LA PORTE GAUCHE

- A. Modèles SANS distributeur d'eau et de glace seulement : Acheminez le fil dans la fente de la charnière. Placez l'axe de charnière dans le haut de la porte.

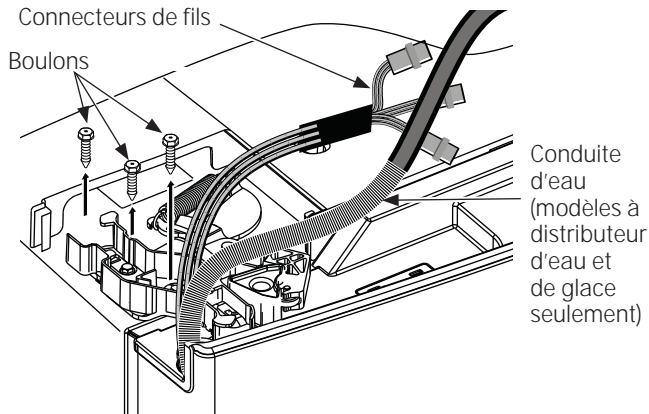
- B. Abaissez la porte sur l'axe de la charnière gauche.



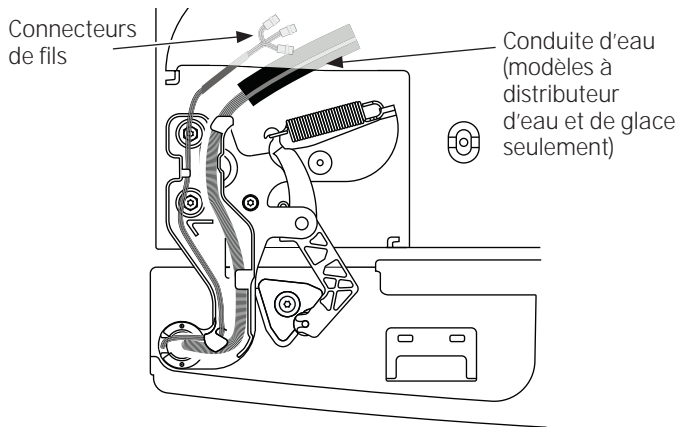
Instructions d'installation

C. Assurez-vous que la porte est alignée sur la carrosserie. Fixez lâchement la charnière sur le haut de la carrosserie à l'aide des boulons retirés précédemment.

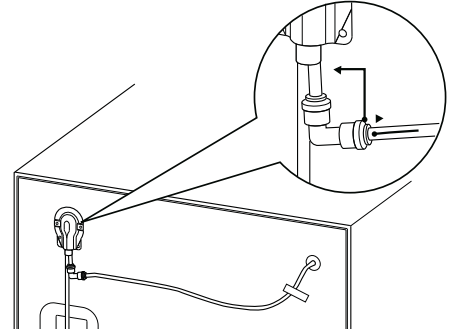
D. Assurez-vous que le joint d'étanchéité de la porte s'appuie totalement contre la carrosserie, sans plis. Serrez les boulons avec un couple serrage de 60 lb-po.



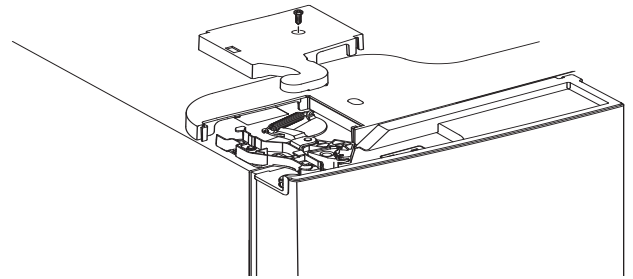
E. Conduite d'eau (modèles à distributeur d'eau et de glace seulement)



F. Modèles à distributeur d'eau et de glace seulement : Insérez la conduite d'eau dans le trou et à travers le logement en plastique jusqu'à l'arrière du réfrigérateur. Raccordez la conduite d'eau dans le raccord à l'arrière du réfrigérateur. Fixez la conduite avec du ruban sur le réfrigérateur.



G. Remplacez le couvercle de la charnière gauche sur le dessus du réfrigérateur à l'aide d'un tournevis cruciforme.



Instructions d'installation

Instructions d'installation (certains modèles)

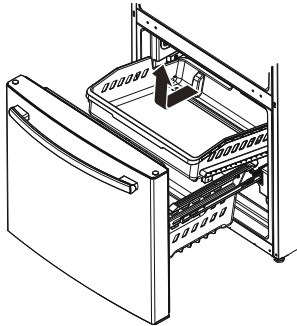
REMARQUES IMPORTANTES

Avant d'enlever le tiroir du congélateur :

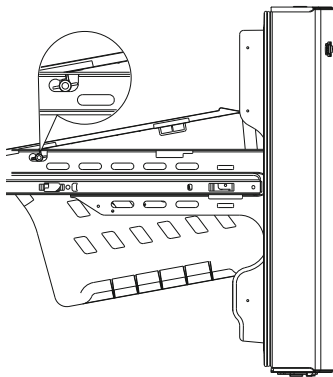
- Lisez les instructions jusqu'au bout avant de commencer.
- Placez le devant du tiroir sur une surface de travail qui ne les rayera pas.

1 ENLEVER LES PANIERS

- A. Ouvrez le tiroir du congélateur jusqu'à ce qu'il s'arrête.
- B. Tirez le panier supérieur jusqu'à ce qu'il s'arrête. Soulevez le panier sur l'avant puis vers l'extérieur pour le sortir.

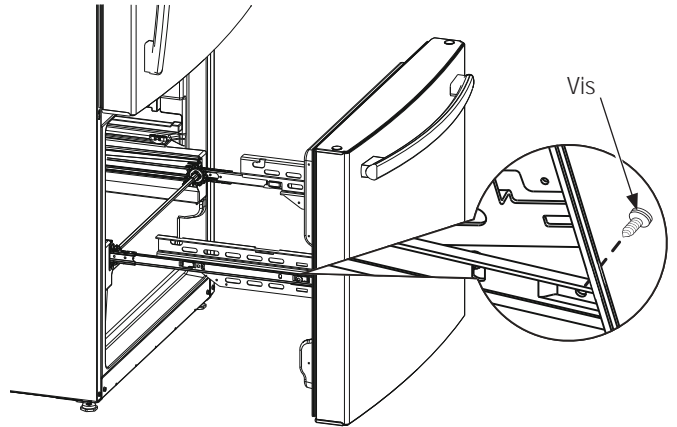


- C. Le panier inférieur repose sur un cadre à l'intérieur du tiroir. Soulevez l'avant du panier puis tirez vers l'avant. Libérez les tiges des fentes du cadre pour retirer le panier

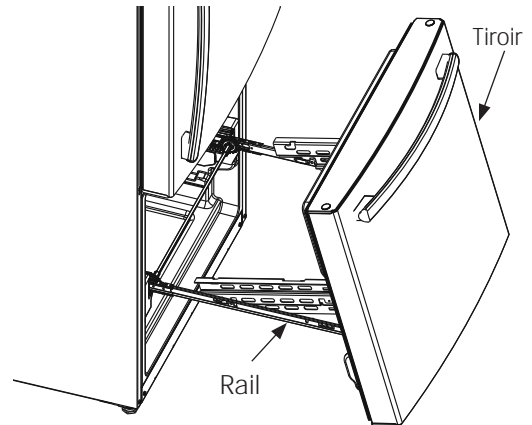


2 ENLEVER LE DEVANT DU TIROIR

- A. Retirez la vis des glissières de chaque côté.



- B. Tirez vers le haut sur les deux côtés de la poignée du tiroir pour séparer les glissières des rails.

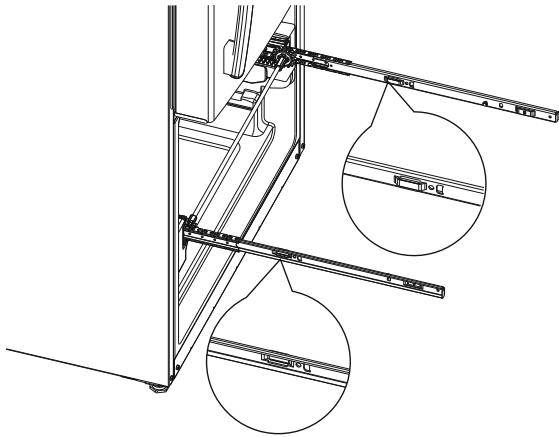


- C. Placez le devant du tiroir sur une surface de travail qui ne les rayera pas.
- D. Repoussez les rails à la position de verrouillage.

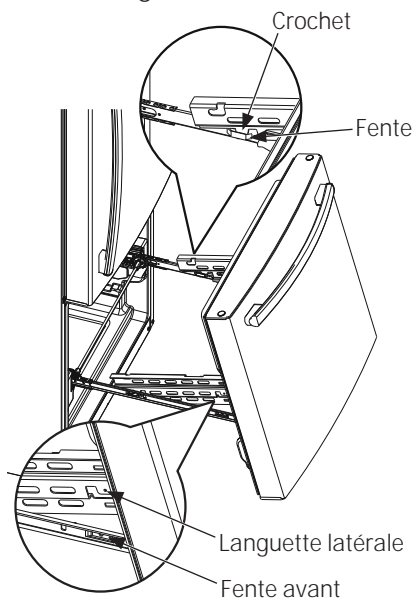
Instructions d'installation

3 RÉINSTALLER LE DEVANT DU TIROIR DU CONGÉLATEUR

- A. Tirez les rails à leur extension maximale.
- B. Repérez les fentes sur l'intérieur de chaque glissière

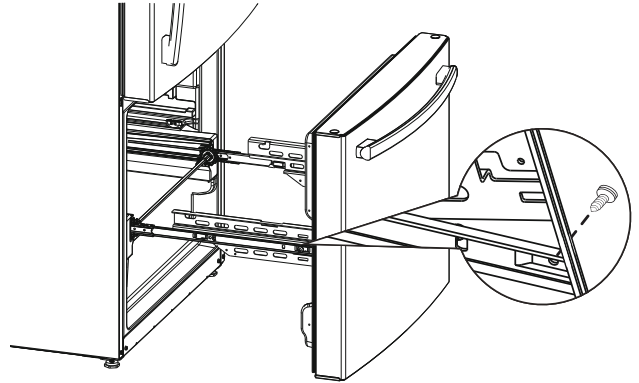


- C. Insérez les crochets aux extrémités des extensions du tiroir dans les fentes près de l'arrière des glissières.



- D. Abaissez l'extrémité avant du tiroir de façon que les languettes latérales s'insèrent dans les fentes avant des rails.

- E. Remplacez les vis de sécurité dans les deux côtés des glissières et rails.



- F. Remplacez les paniers inférieur et supérieur (voir la section *Tiroir du congélateur* à la page 12).

Instructions d'installation

INVERSION DE LA PORTE (certains modèles)

LORS DE L'INVERSION DES PORTES :

Lors de l'inversion des portes :

- Lisez les instructions jusqu'au bout avant de commencer.
- L'écusson du logo, les poignées, les bouchons et le couvercle de la charnière droite sont inclus à l'intérieur du réfrigérateur (certains modèles).
- Placez les vis à proximité des pièces associées pour éviter de les utiliser aux mauvais endroits.
- Placez les portes sur une surface de travail qui ne les rayera pas.

⚠ ATTENTION

Soulèvement de poids lourd. Une seule personne risque de se blesser à soulever un tel poids. Faites-vous aider lors de la manipulation, le déplacement et le soulèvement des portes de réfrigérateur.

REMARQUE : Lors de l'enlèvement, déposez la porte à un endroit sûr qui n'abîmera ni la porte ni son électronique.

REMARQUE : L'axe et la charnière inférieurs de la porte doivent s'apparier précisément afin que la porte se referme correctement d'elle-même. Veuillez suivre les instructions attentivement.

La porte du congélateur est lourde. Utilisez les deux mains pour bien agripper la porte avant de la soulever.

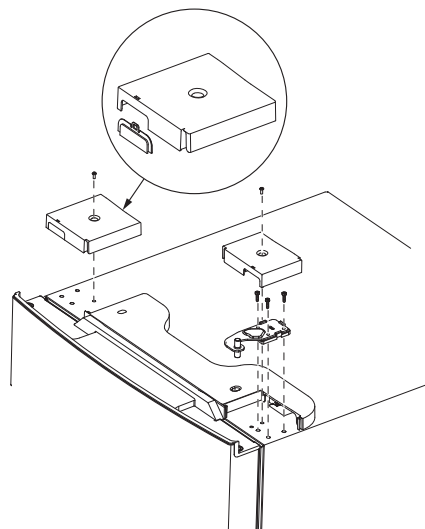
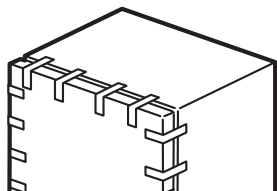
⚠ AVERTISSEMENT

Pour éliminer le risque de choc électrique ou d'autres blessures pendant l'installation, vous devez d'abord débrancher le réfrigérateur avant de procéder. L'omission de suivre cette directive peut causer un choc électrique.

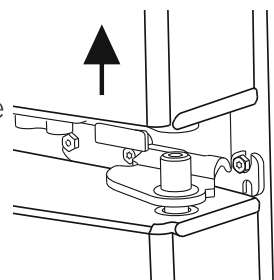
1 ENLEVER LES PORTES DU RÉFRIGÉRATEUR

- A. Immobilisez la porte fermée avec du ruban-cache adhésif.

- B. Enlevez les couvercles des charnières gauche et droite dans le haut du réfrigérateur à l'aide d'un tournevis cruciforme.



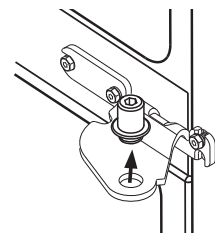
- C. À l'aide d'une clé à douille 5/16 po, retirez les boulons qui fixent la charnière supérieure sur la carrosserie. Soulevez la charnière en ligne droite pour la dégager.



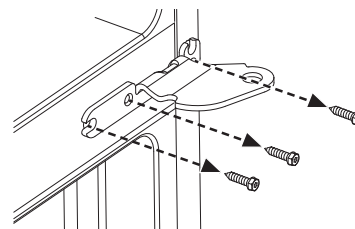
- D. Retirez le ruban adhésif et penchez la porte du compartiment réfrigérateur à l'écart de la carrosserie. Soulevez la porte pour la dégager de l'axe de charnière central.
- E. Déposez la porte sur une surface qui ne la rayera pas, intérieur vers le haut.

Modèles avec TIROIR de congélateur :

- F. À l'aide d'une clé hexagonale, enlevez l'axe de charnière de son support. Cet axe sera utilisé du côté opposé.

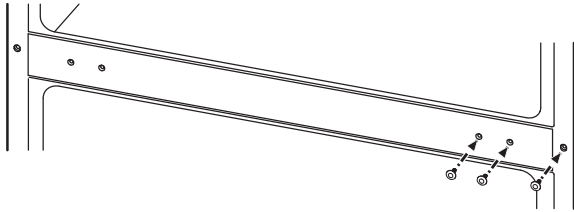


- G. À l'aide d'une clé à douille 5/16 po, retirez les boulons qui fixent la charnière centrale sur la carrosserie.

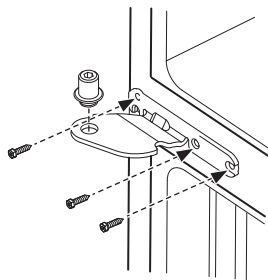


Instructions d'installation

- H. Retirez les bouchons sur la gauche de la carrosserie, du côté opposé de l'endroit où le support de charnière se trouvait, et posez-les dans les trous laissés libres par le retrait du support.



- I. Retournez le support de charnière central et posez-le sur le côté gauche de la carrosserie là où les bouchons ont été retirés.

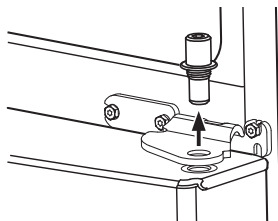


- J. À l'aide d'une clé hexagonale 1/4 po, posez l'axe dans le support de charnière central.

Modèles avec PORTE de congélateur :

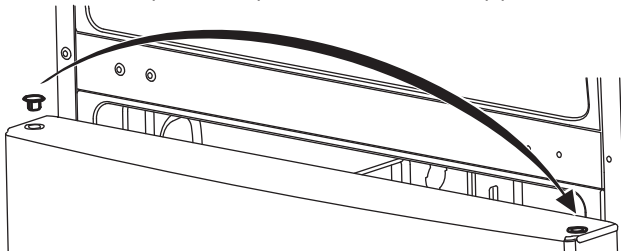
- F. Immobilisez la porte de congélateur fermée avec du ruban adhésif.

- G. À l'aide d'une clé hexagonale 1/4 po, retirez l'axe du support de charnière. Cet axe sera utilisé du côté opposé.



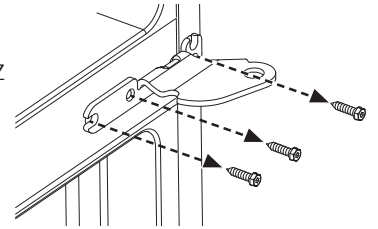
- H. Retirez le ruban et penchez la porte à l'écart de la carrosserie. Soulevez la porte pour la dégager de l'axe de charnière inférieur.

- I. À l'aide d'un petit tournevis à lame plate, retirez le bouchon du côté supérieur gauche de la porte et posez-le du côté opposé.

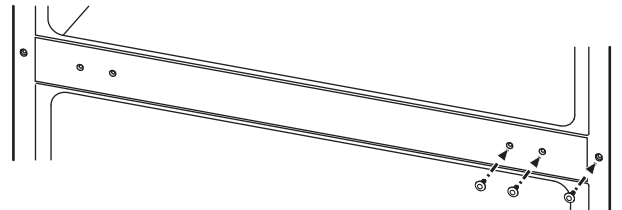


- J. Déposez la porte sur une surface qui ne la rayera pas, intérieur vers le haut.

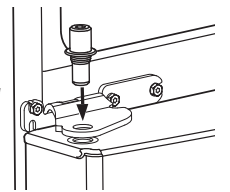
- K. À l'aide d'une clé à douille 5/16 po, retirez les boulons qui fixent la charnière centrale sur la carrosserie.



- L. Repérez les bouchons dans la trousse et posez-les du côté opposé de la charnière centrale.

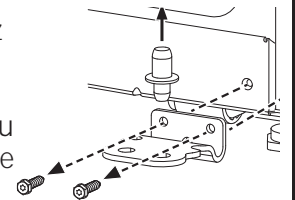


- M. Retournez le support de charnière central. À l'aide d'une clé à douille 5/16 po, posez le boulon du côté gauche de la carrosserie et serrez au couple de serrage de 60 lb-po.

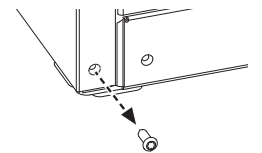


- N. À l'aide d'une clé hexagonale 1/4 po, posez l'axe dans le support de charnière central. Ne laissez pas l'axe dépasser le bas du support.

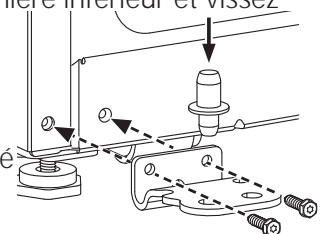
- O. À l'aide d'une clé à douille 5/16 po, retirez les vis du support de charnière inférieur. Elles seront utilisées du côté opposé. Tirez l'axe vers le haut pour le dégager.



- P. À l'aide d'un tournevis Torx T-20, retirez la vis de la carrosserie et posez-la du côté opposé.



- Q. À l'aide d'une clé à douille 5/16 po, posez le support de charnière inférieur et vissez les vis au couple de serrage de 60 lb-po. Reposez la charnière et l'axe dans le trou opposé sur la carrosserie.

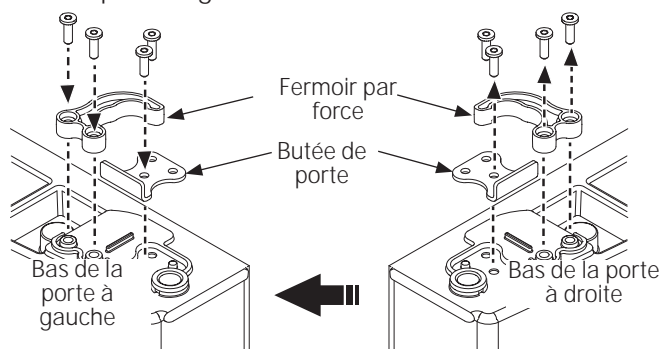


Instructions d'installation

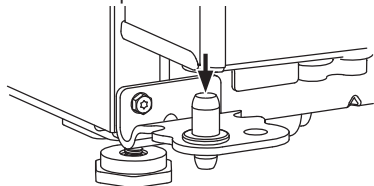
INVERSION DE LA PORTE (suite)

2 RÉINSTALLER LA PORTE DU CONGÉLATEUR

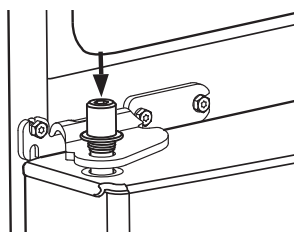
- À l'aide d'un tournevis Torx T-20, retirez les boulons qui fixent la butée de porte dans le bas de la porte à droite.
- À l'aide d'un tournevis Torx T-20, retirez la fermoir par force en plastique dans le bas de la porte à droite.
- Retournez le fermoir par force et posez-le dans le bas de la porte à gauche.
- Posez la butée de porte dans le bas de la porte à gauche.



- Abaissez la porte du congélateur et assurez-vous d'insérer l'axe de charnière dans le trou inférieur de la porte.

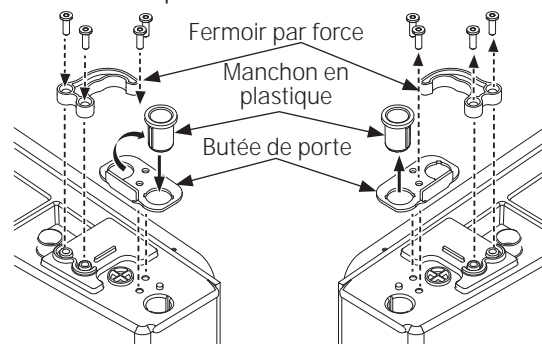


- Redressez la porte et alignez-la sur le support de charnière central. À l'aide d'une clé hexagonale 1/4 po, tournez l'axe de charnière jusqu'à ce qu'il traverse le support et s'insère dans la porte.

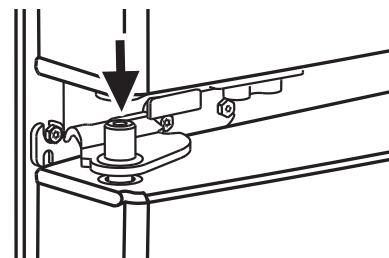


3 RÉINSTALLER LA PORTE DU COMPARTIMENT RÉFRIGÉRATEUR

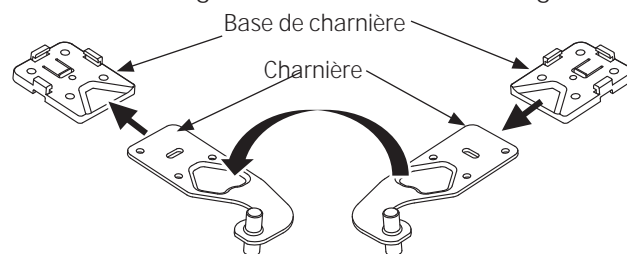
- À l'aide d'un tournevis Torx T-20, retirez les boulons qui fixent la butée de porte dans le bas de la porte à droite.



- Transférez le manchon en plastique dans le trou opposé. Posez la butée de porte avec le manchon en plastique sur le côté opposé.
- À l'aide d'un tournevis Torx T-20, retirez le fermoir par force en plastique dans le bas de la porte à droite.
- Retournez le fermoir en plastique et posez-le dans le bas de la porte à gauche.
- Posez la butée de porte dans le bas de la porte à gauche.
- Abaissez la porte du compartiment réfrigérateur et assurez-vous d'insérer l'axe de charnière dans le trou inférieur de la porte.



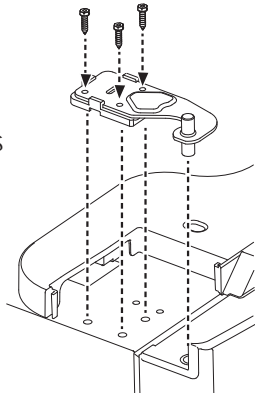
- Remove the hinge base from the hinge. Flip the hinge over and remount to hinge base.



Instructions d'installation

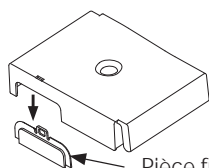
- H. Insérez l'axe de charnière supérieur dans le trou dans le haut de la porte du compartiment réfrigérateur, à droite. Assurez-vous l'aligner la porte sur la carrosserie. Fixez lâchement la charnière sur le haut de la carrosserie à l'aide des boulons retirés précédemment.

Assurez-vous que le joint d'étanchéité s'appuie totalement contre la carrosserie, sans plis. Supportez la porte du côté de la poignée et assurez-vous que la porte est bien droite et que l'espace entre les portes est égal sur toute la distance. Tout en maintenant la porte en place, serrez les vis au couple de serrage de 60 lb-po.

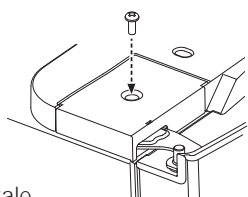


Modèles avec TIROIR de congélateur :

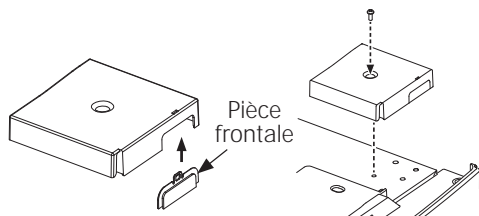
- I. Retirez la pièce frontale du couvercle de charnière gauche. Posez ce couvercle à l'aide d'un tournevis cruciforme et de la vis retirée précédemment.



Pièce frontale



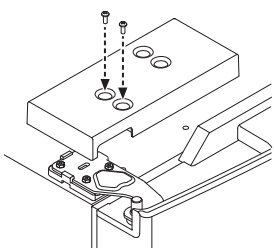
- J. Posez la pièce frontale sur le couvercle de charnière droit. Posez ce couvercle à l'aide d'un tournevis cruciforme et de la vis retirée précédemment.



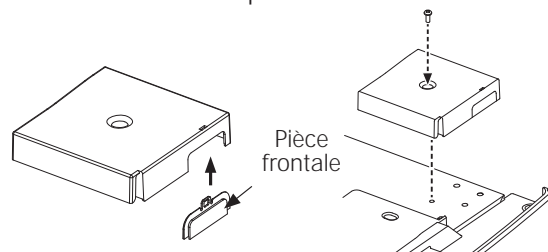
Pièce frontale

Modèles avec PORTE de congélateur :

- I. Repérez le couvercle de charnière gauche livré avec la trousse. À l'aide d'un tournevis cruciforme et des vis fournies, posez le couvercle.,



- J. Repérez la pièce frontale, livrée avec la trousse, qui s'insère sur le couvercle de charnière droit et posez-la.

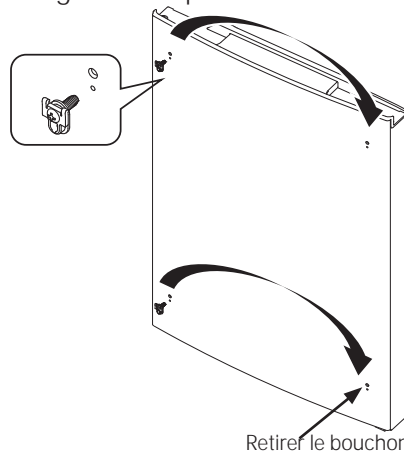


Pièce frontale

- K. À l'aide d'un tournevis cruciforme et des vis fournies, posez le couvercle de charnière droit.

4 TRANSFÉREZ LES FIXATIONS DE MONTAGE DE LA POIGNÉE

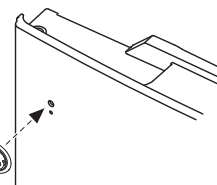
- A. Retirez le bouchon du trou inférieur droit.
B. À l'aide d'un tournevis cruciforme, retirez les vis qui fixent les supports de montage du côté gauche et posez-les du côté droit.



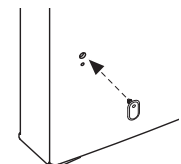
Retirez le bouchon

5 INSTALLER L'ÉCUSSON DU LOGO

- A. Repérez le nouvel écusson du logo dans la trousse. Retirez la doublure adhésive et alignez les tiges à l'arrière de l'écusson sur les trous dans la porte. Appliquez une pression sur l'écusson pour qu'il adhère bien à la porte.



- B. Repérez le bouchon dans la trousse et posez-le du côté opposé de la poignée.



Instructions d'installation

INSTALLATION DU RÉFRIGÉRATEUR (suite)

6 RACCORDEMENT DU RÉFRIGÉRATEUR À LA CONDUITE D'EAU DE LA MAISON

(modèles avec machine à glaçons seulement)

Une alimentation en eau froide est nécessaire pour le fonctionnement de la machine à glaçons. Si elle est absente, vous devez en installer une. Consultez la section *Installation de la conduite d'eau*.

Remarques :

- Avant de raccorder votre réfrigérateur, assurez-vous que le cordon électrique n'est pas branché dans la prise murale.
- Si votre réfrigérateur n'est pas doté d'un filtre d'eau, nous recommandons d'en installer un si votre alimentation d'eau contient du sable ou des particules qui peuvent obstruer la grille du robinet d'eau du réfrigérateur. Si vous utilisez la trousse de tuyauterie pour réfrigérateur GE SmartConnect™, vous aurez besoin d'un tube supplémentaire (WX08X10002) pour connecter le filtre. Ne coupez pas le tube en plastique pour installer le filtre.
- Avant de raccorder la conduite d'eau à la maison, purgez la conduite de la maison pendant au moins 2 minutes.

A. Si vous utilisez un tuyau en cuivre, placez un écrou à compression et une bague sur l'extrémité du tuyau d'alimentation d'eau froide de la maison.

Si vous utilisez la tuyauterie GE SmartConnect™, les écrous sont déjà montés sur le tuyau.

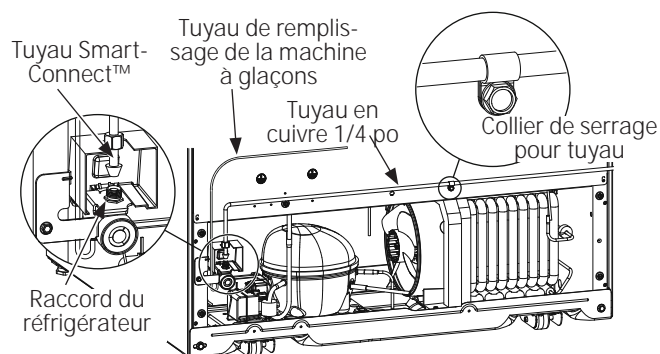
B. Si vous utilisez un tuyau en cuivre, insérez l'extrémité du tuyau aussi loin que possible dans le raccord du réfrigérateur à l'arrière de celui-ci. Tout en tenant le tuyau, serrez le raccord

Si vous utilisez la tuyauterie GE SmartConnect™, insérez l'extrémité moulée du tuyau dans le raccord du réfrigérateur à l'arrière de celui-ci, et serrez l'écrou à compression à la main. Utilisez ensuite une clé pour le serrer d'un tour supplémentaire. Un serrage excessif peut causer des fuites.

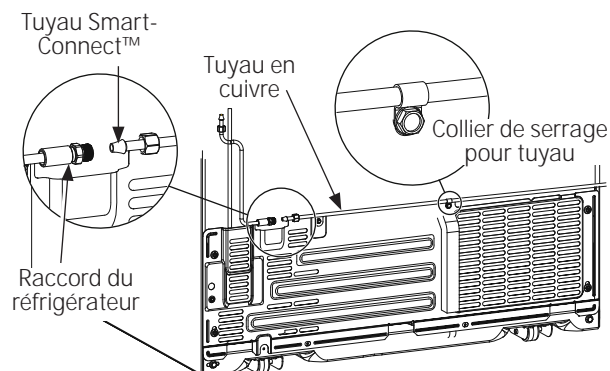
C. Attachez le tuyau dans le collier de serrage fourni pour le maintenir en position. Il faudra peut-être écarter le collier avec un outil pour l'ouvrir.

Une des illustrations ci-dessous ressemble au raccord sur votre réfrigérateur.

Modèles pouvant recevoir une machine à glaçons



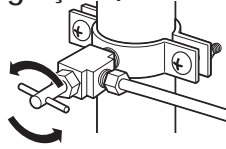
Modèles avec machine à glaçon installée



Instructions d'installation

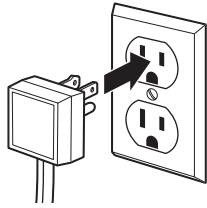
7 OUVRIR L'ALIMENTATION D'EAU (modèles avec machine à glaçons)

Ouvrez l'alimentation d'eau au robinet de sectionnement (alimentation de la maison) et vérifiez l'absence de fuites.



8 BRANCHER LE RÉFRIGÉRATEUR

Pour les modèles avec machine à glaçons, avant de brancher le réfrigérateur, assurez-vous que l'interrupteur de courant se trouve à la position O (Off/arrêt). Voir les renseignements sur la mise à la terre attachés au cordon électrique.



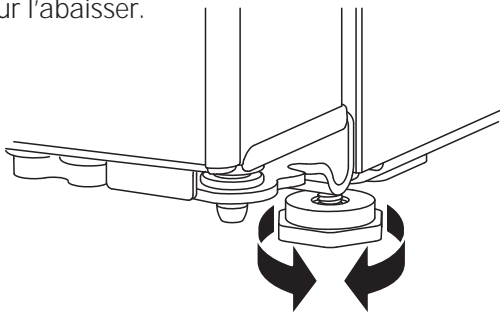
9 METTRE LE RÉFRIGÉRATEUR EN PLACE

Placez le réfrigérateur à son emplacement final.

10 METTRE LE RÉFRIGÉRATEUR DE NIVEAU

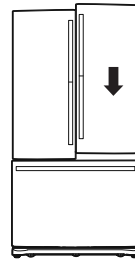
Les **pieds de nivellement** aux coins avant du réfrigérateur doivent être réglés de façon que le réfrigérateur repose solidement sur le plancher, et que l'avant soit légèrement surélevé, juste assez pour que la porte se referme aisément lorsqu'elle est ouverte à mi-parcours.

Pour régler les pieds de nivellement, tournez-les dans le **sens des aiguilles** pour soulever le réfrigérateur, dans le **sens inverse des aiguilles** pour l'abaisser.

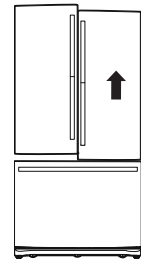


15 METTRE LES PORTES DU RÉFRIGÉRATEUR DE NIVEAU (certains modèles)

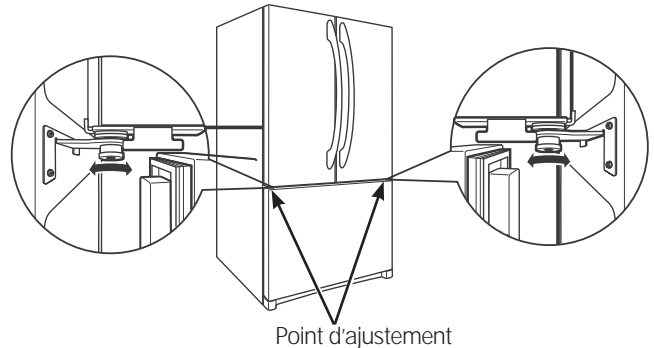
Un réfrigérateur de niveau est nécessaire pour mettre les portes à égalité. Si vous avez besoin d'aide, revoyez la section précédente sur le nivellement du réfrigérateur.



Lorsque la porte gauche est plus basse que celle de droite.



Lorsque la porte gauche est plus haute que celle de droite.

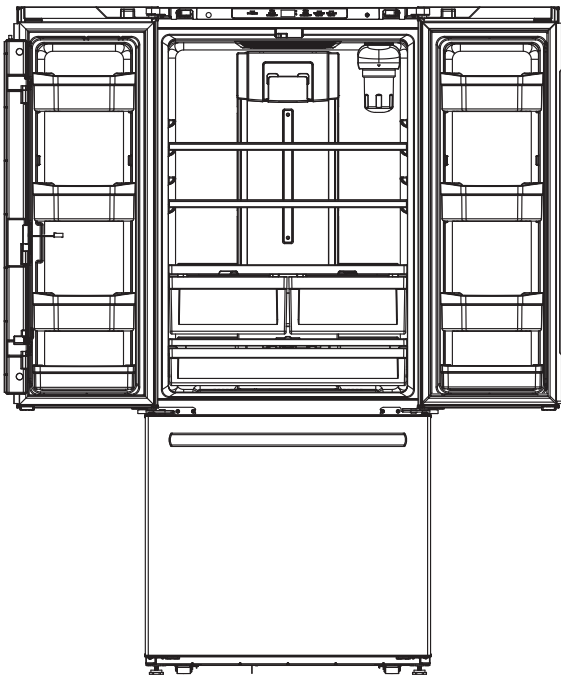


Si les portes demeurent inégales, tournez la tige réglable à l'aide d'une clé hexagonale ¼ po pour soulever la porte la plus basse.

Installations d'instruction

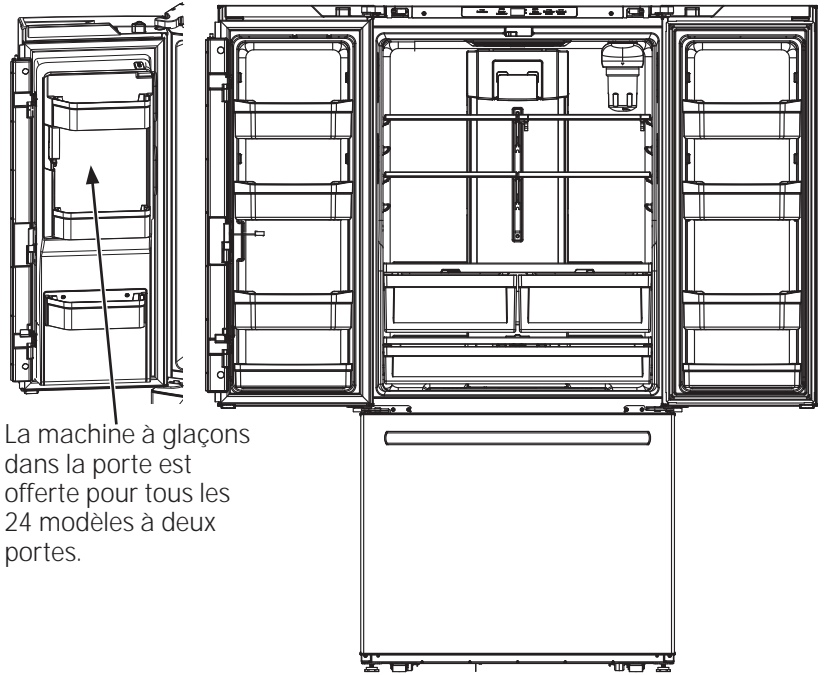
Montage du réfrigérateur suggéré.

Tablettes dans la position de meilleure efficacité énergétique.



GNE21

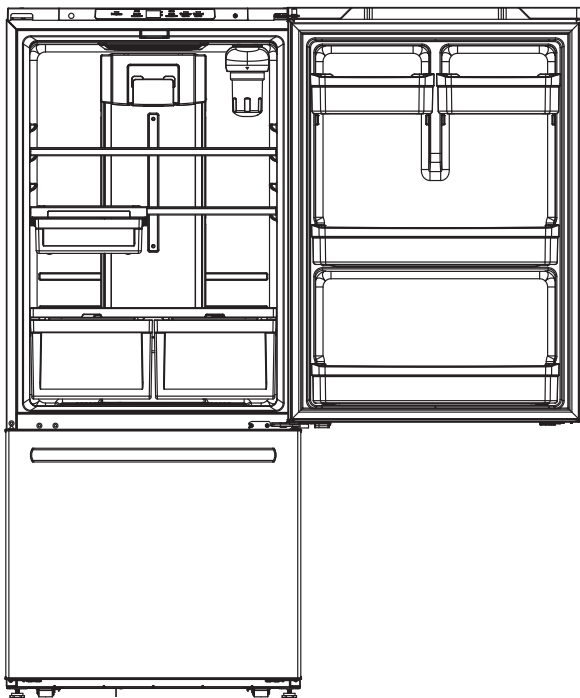
Modèles à deux portes avec tiroir de congélateur



La machine à glaçons dans la porte est offerte pour tous les 24 modèles à deux portes.

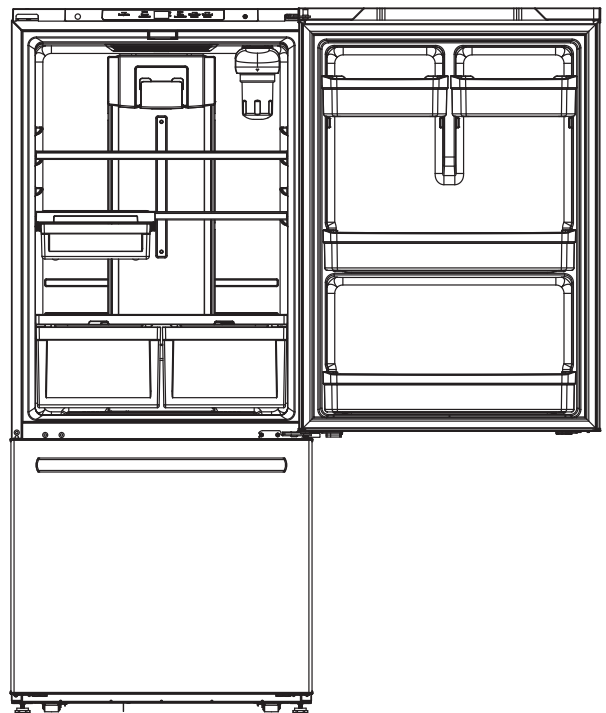
GFE24, PFE24, CFE24, GNE25, PNE25, CNE25

Modèles à deux portes avec tiroir de congélateur



GDE21, GDE25

Modèles à une porte avec tiroir de congélateur



GBE21, ABE21

Modèles à une porte avec porte de congélateur

Installations d'instruction

INSTALLATION DE LA CONDUITE D'EAU

AVANT DE COMMENCER

Nous recommandons les troupes de tuyauterie en cuivre WX8X2, WX8X3, WX8X4, selon la longueur dont vous avez besoin. Nous approuvons les tuyaux en plastique de la trousse de tuyauterie pour réfrigérateur GE SmartConnect™ (WX08X10006, WX08X10015 et WX08X10025).

Si vous installez un système d'eau par osmose inverse GE Appliances dans votre réfrigérateur, la seule installation approuvée est celle de la trousse GE Appliances RVKIT. Pour les autres systèmes d'osmose inverse, suivez les recommandations du fabricant.

Si l'alimentation d'eau à votre réfrigérateur vient d'un système de filtration par osmose inverse ET si votre réfrigérateur a également un filtre d'eau, utilisez le bouchon de dérivation du filtre de votre réfrigérateur. Si vous utilisez la cartouche de filtration de votre réfrigérateur conjointement avec le filtre d'osmose inverse, vous pouvez produire des glaçons creux. Certains modèles ne sont pas livrés avec un bouchon de dérivation du filtre. Pour vous en procurer un gratuitement, composez le 800-CARES. Au Canada, le 800.561.3344.

Cette installation de conduite d'eau n'est pas garantie par le fabricant de réfrigérateur ou de machine à glaçons. Suivez soigneusement ces instructions pour minimiser le risque de dommages onéreux d'inondation.

Les coups de bélier (eau qui donne des coups dans les tuyaux) dans la tuyauterie de la maison peut occasionner des dommages aux pièces de votre réfrigérateur, ainsi que des fuites ou des inondations. Appelez un plombier agréé pour corriger les coups de bélier avant d'installer la conduite d'eau de votre réfrigérateur.

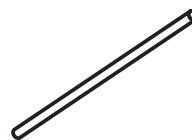
Pour prévenir les brûlures et les dommages à votre réfrigérateur, ne branchez jamais la conduite d'eau à une canalisation d'eau chaude.

N'installez pas les tuyaux de la machine à glaçons dans des endroits où la température risque de descendre en dessous du point de congélation.

Si vous utilisez un outil électrique (comme une perceuse électrique) pendant l'installation, assurez-vous qu'il est doté d'une double isolation et d'une mise à la terre de son câblage afin de prévenir tout risque de choc électrique. On peut aussi utiliser un outil alimenté par batterie.

Vous devez procéder à toutes vos installations en conformité avec votre code local de plomberie.

CE DONT VOUS AUREZ BESOIN



- Un tuyau en cuivre ou la trousse de tuyauterie pour réfrigérateur GE SmartConnect™, diamètre extérieur de 1/4 po, pour brancher le réfrigérateur à l'alimentation d'eau. Si vous utilisez un tuyau en cuivre, assurez-vous que les deux extrémités du tuyau sont coupées bien droit.

Pour trouver la longueur de tuyau dont vous aurez besoin : mesurez la distance qui va du robinet d'eau situé derrière le réfrigérateur jusqu'au tuyau d'alimentation d'eau. Assurez-vous qu'il y a assez de tuyau en surplus pour vous permettre d'écarter le réfrigérateur du mur après l'installation.

Les troupes GE SmartConnect™ sont disponibles dans les dimensions suivantes :

1,8 m (6 pi) – WX08X10006

4,6 m (15 pi) – WX08X10015

7,6 m (25 pi) – WX08X10025

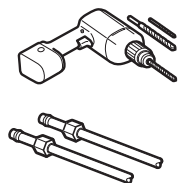
Instructions d'installation

INSTALLATION DE LA CONDUITE D'EAU (suite)

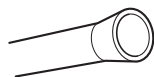
CE DONT VOUS AUREZ BESOIN (SUITE)

NOTE : Les seuls tuyaux en matière plastique approuvés par GE Appliances sont ceux qui sont fournis dans les trousse de tuyauterie pour réfrigérateur GE SmartConnect™. N'utilisez jamais un autre tuyau en plastique, car le tuyau d'alimentation d'eau est tout le temps sous pression. Certains types de tuyaux en plastique peuvent devenir cassants avec l'âge et se fendre, occasionnant des dommages d'inondation dans votre maison.

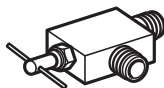
- Vous pouvez acheter une trousse d'alimentation d'eau GE Appliances (contenant un tuyau en cuivre, un robinet d'arrêt et les joints énumérés ci-dessous) chez votre distributeur local ou auprès du service des pièces et accessoires GE Appliances au 1.800.626.2002 (Au Canada le 1.800.661.1616).
- Une alimentation d'eau froide. La pression de l'eau doit mesurer entre 20 et 120 psi. (1,4 à 8,1 bars).
- Une perceuse électrique.
- Une clé de 1/2 po ou une clé réglable.
- Un tournevis à lame plate et un tournevis cruciforme.
- Deux écrous à compression d'un diamètre extérieur de 1/4 po et deux bagues (manchons) pour raccorder le tuyau en cuivre au robinet de sectionnement et au robinet d'eau du réfrigérateur.



- OU
- Si vous utilisez une trousse de tuyauterie pour réfrigérateur GE SmartConnect™ avec tuyau en plastique, les raccords nécessaires sont déjà montés au tuyau.
 - Si votre conduite d'eau en cuivre actuelle présente un raccord évasé à une extrémité, vous aurez besoin d'un adaptateur (offert chez les marchands de matériel de plomberie) pour raccorder le tuyau d'eau au réfrigérateur, OU vous pouvez couper le raccord évasé à l'aide d'un coupe-tube, puis utiliser un raccord à compression. Ne coupez pas l'extrémité moulée d'un tuyau de la trousse GE SmartConnect™.



- Un robinet de sectionnement à connecter au tuyau d'eau froide. Le robinet de sectionnement doit avoir une entrée d'eau d'un diamètre intérieur minimal de 5/32 po au point de raccordement avec la CONDUITE D'EAU FROIDE. Des robinets de sectionnement à étrier sont souvent inclus dans les trousse d'alimentation d'eau. Avant d'acheter, assurez-vous que le robinet à étrier satisfait à vos codes de plomberie locaux.



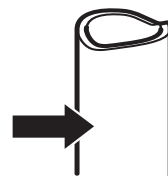
Installez le robinet de sectionnement sur la conduite d'eau potable la plus utilisée.

1 FERMER L'ALIMENTATION D'EAU PRINCIPALE

Ouvrez le robinet le plus proche suffisamment longtemps pour purger le tuyau.

2 CHOISIR L'EMPLACEMENT DU ROBINET DE SECTIONNEMENT

Choisissez pour le robinet un emplacement facilement accessible. Il vaut mieux le brancher de côté à un tuyau vertical. Si vous devez le brancher à un tuyau horizontal, faites le branchement en haut ou de côté, plutôt qu'en bas du tuyau, pour éviter de recevoir des sédiments du tuyau d'alimentation d'eau.

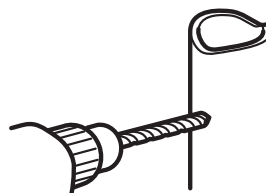


3 PERCER UN TROU POUR LE ROBINET

Percez un trou de 1/4 po dans la conduite d'eau à l'aide d'un foret dur (même si vous utilisez un robinet autotaraudeur). Enlevez toute barbare due au perçage du trou dans le tuyau.

Faites attention de ne pas laisser de l'eau couler dans votre perceuse électrique.

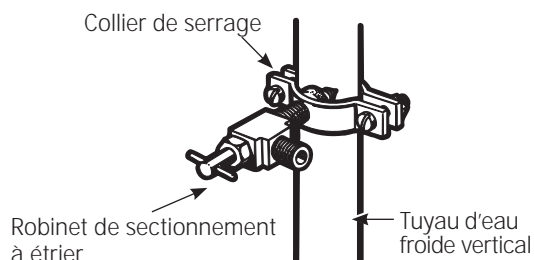
Si vous ne percez pas un trou de 1/4 po, vous obtiendrez une alimentation d'eau réduite et des glaçons plus petits.



Instructions d'installation

4 FIXER LE ROBINET DE SECTIONNEMENT

Fixez le robinet de sectionnement au tuyau d'eau froide à l'aide du collier de serrage.

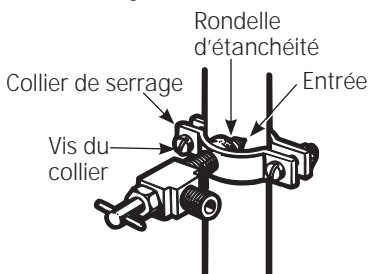


NOTE : Vous devez vous conformer aux Codes de plomberie 248CMR du Commonwealth of Massachusetts. Les robinets de sectionnement à étrier sont illégaux et leur utilisation n'est pas autorisée au Massachusetts. Consultez votre plombier local.

5 SERRER LE COLLIER DE SERRAGE

Serrez les vis du collier jusqu'à ce que la rondelle d'étanchéité commence à enfler.

NOTE : Ne serrez pas trop. Vous risquez d'écraser le tuyau.



6 ACHEMINER LE TUYAU

Acheminez le tuyau entre la conduite d'eau froide et le réfrigérateur.

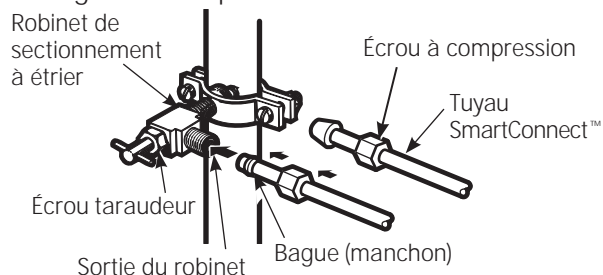
Faites passer le tuyau par un trou percé dans le mur ou le plancher (derrière le réfrigérateur ou au niveau de l'armoire de cuisine adjacente), aussi près du mur que possible.

7 RACCORDER LE TUYAU AU ROBINET DE SECTIONNEMENT

Placez un écrou à compression et une bague (manchon) à l'extrémité du tuyau et posez-les sur le robinet de sectionnement.

Assurez-vous que le tuyau est bien inséré dans le robinet. Serrez fort l'écrou à compression.

Pour le tuyau en plastique de la trousse pour réfrigérateur GE SmartConnect™, insérez l'extrémité moulée du tuyau dans le robinet de sectionnement et serrez l'écrou à compression à la main, puis serrez d'un tour avec une clé. Un serrage excessif peut causer des fuites.



NOTE : Vous devez vous conformer aux Codes de plomberie 248CMR du Commonwealth of Massachusetts. Les robinets de sectionnement à étrier sont illégaux et leur utilisation n'est pas autorisée au Massachusetts. Consultez votre plombier local.

8 PURGER LE TUYAU

Ouvrez l'alimentation d'eau principale et purgez le tuyau jusqu'à ce que l'eau soit claire.

Fermez l'eau au robinet d'eau après l'écoulement d'environ 1 litre d'eau (env. 2 minutes) par le tuyau.



Pour compléter l'installation du réfrigérateur, retournez à l'étape 1 de la section *Installation du réfrigérateur*.

Bruits de fonctionnement normaux.



Les réfrigérateurs plus récents font des bruits différents de ceux des anciens. Les réfrigérateurs modernes présentent plus de fonctions et sont plus avancés sur le plan technologique.

Entendez-vous ce que j'entends ? Ces bruits sont normaux.

**HUMMM...
WHOOSH...**

- Le nouveau compresseur à rendement élevé peut fonctionner plus longtemps et plus vite que votre ancien réfrigérateur et vous pouvez entendre un son modulé ou un ronflement aigu pendant son fonctionnement.
- Vous pouvez entendre un sifflement lorsque les portes se ferment. Cela vient de l'équilibrage de pression dans le réfrigérateur.

OUIR!



- Vous pouvez entendre les ventilateurs tourner à hautes vitesses. Cela se produit lorsque le réfrigérateur vient d'être branché, lorsque les portes sont ouvertes fréquemment ou lors de l'ajout d'une grande quantité d'aliments dans les compartiments congélateur ou réfrigérateur. Les ventilateurs permettent de maintenir les bonnes températures.
- Les ventilateurs changent de vitesses pour assurer des économies d'énergie et un refroidissement optimal.

CLICS et CLAQUEMENTS

- • Vous pouvez entendre des craquements ou des claquements lorsque le réfrigérateur est branché pour la première fois. Cela se produit lorsque le réfrigérateur se refroidit à la bonne température.
- L'expansion et la contraction des serpentins de refroidissement pendant et après le dégivrage peuvent causer un craquement ou un claquement.
- Sur les modèles équipés d'une machine à glaçons, après un cycle de fabrication de glaçons, vous pouvez entendre les glaçons tomber dans le bac.
- Sur les modèles munis d'un distributeur, le mouvement des conduites peut être audible lors de la première distribution d'eau et après le relâchement du bouton du distributeur.

BRUITS D'EAU



- Le passage de l'agent frigorigère dans les serpentins de refroidissement du congélateur peut être accompagné d'un gargouillement semblable à celui de l'eau en ébullition.
- L'eau tombant sur l'élément chauffant de dégivrage peut faire un bruit de grésillement, de claquement ou de bourdonnement pendant le cycle de dégivrage.
- Un bruit de suintement d'eau peut être entendu pendant le cycle de dégivrage lorsque la glace de l'évaporateur fond et tombe dans le bac de récupération.
- Fermer la porte peut causer un gargouillement en raison de l'équilibrage de pression.

Avant d'appeler un réparateur...



Conseils de dépannage—

Économisez du temps et de l'argent! Consultez d'abord les tableaux qui suivent et vous pourrez peut-être éviter de faire appel à un réparateur.

Problème	Causes possibles	Correctifs
Le voyant du filtre d'eau demeure allumé après le remplacement du filtre (certains modèles)	Le voyant du filtre doit être réinitialisé	Pressez sur la touche WATER FILTER (filtre d'eau) durant 3 secondes pour réinitialiser le filtre d'eau.
Le voyant du filtre d'eau n'est pas allumé (certains modèles)	Cela est normal. Ce voyant s'allumera pour signaler la nécessité de remplacer le filtre à court terme.	Voyez la section Filtre d'eau pour plus d'informations.
La poignée est lâche/présente un jeu	La poignée doit être ajustée	Voyez la section Fixation de la poignée du compartiment réfrigérateur et Fixation de la poignée du congélateur pour des instructions détaillées.
Le réfrigérateur émet un bip	Il s'agit de l'alarme de porte	Éteignez ou désactivez l'alarme, porte fermée. Si la porte est ouverte et que l'alarme sonne, vous pouvez seulement mettre celle-ci en somnolence.
Pas de refroidissement	Le système de refroidissement est éteint	Voyez la section <i>Commandes</i>
Le goût/l'odeur de l'eau est médiocre (certains modèles)	Le distributeur d'eau n'a pas été utilisé depuis longtemps	Distribuez de l'eau jusqu'à ce que toute l'eau du système soit renouvelée.
L'eau dans le verre est tiède (certains modèles)	Cela est normal à la première installation du réfrigérateur	Attendez 24 heures pour laisser le réfrigérateur se refroidir totalement.
	Le distributeur d'eau n'a pas été utilisé depuis longtemps	Distribuez de l'eau jusqu'à ce que toute l'eau du système soit renouvelée.
	Le système d'eau a été vidangé	Allouez plusieurs heures pour que le renouvellement se refroidisse.
Le distributeur d'eau ne fonctionne pas (certains modèles)	La conduite d'eau a été fermée ou n'est pas raccordée	Voyez la section <i>Installation de la conduite d'eau</i>
	Le filtre d'eau est obstrué ou le filtre/ bouchon de dérivation n'est pas installé	Remplacez le filtre d'eau à cartouche ou enlevez le filtre et installez le bouchon de dérivation.*
	De l'air peut être emprisonné dans le système	Pressez le bras du distributeur durant au moins 5 minutes.
	L'eau dans le réservoir est gelée à cause d'un réglage trop froid	Réglez le réfrigérateur à une température moins froide et attendez 24 heures. Si la distribution d'eau est impossible après ce délai, faites un appel de service.
L'eau gicle du distributeur (certains modèles)	Un nouveau filtre d'eau à cartouche a été installé	Faites circuler de l'eau froide par le distributeur durant 5 minutes (environ 8 litres).

*Certains modèles ne sont pas livrés avec un bouchon de dérivation. Pour en obtenir un gratuitement, composez le 800-GECARES. Au Canada, le 800.561.3344.

Avant d'appeler un réparateur...



Conseils de dépannage (suite)

Problème	Causes possibles	Correctifs
Pas de production d'eau ni de glace (certains modèles)	La conduite d'eau ou le robinet de sectionnement est obstrué	Appelez un plombier
	Le filtre d'eau est obstrué	Remplacez le filtre d'eau à cartouche ou enlevez le filtre et installez le bouchon de dérivation.*
	Le filtre d'eau à cartouche n'est pas installé correctement	Retirez le filtre d'eau à cartouche et réinstallez-le, en veillant à ce qu'il se verrouille en place.
	La machine à glaçons est éteinte	Vérifiez que la machine à glaçons est bien allumée. Voyez la section <i>Machine à glaçons automatique</i> .
De l'eau fuit du distributeur (certains modèles)	De l'air peut se trouver dans la conduite d'eau, causant un égouttement après la distribution d'eau.	Distribuez l'eau durant au moins 5 minutes pour expulser l'air du système.
Le congélateur se refroidit mais pas le compartiment réfrigérateur	Cela est normal lorsque le réfrigérateur est branché pour la première fois, ou suite à une panne de courant prolongée.	Allouez 24 heures pour atteindre les températures réglées dans les deux compartiments.
Le distributeur de glace s'ouvre après la fermeture du tiroir du congélateur (certains modèles)	Cela est normal	La porte du distributeur de glace peut s'ouvrir après la fermeture de la porte du congélateur pour permettre l'accès.

*Certains modèles ne sont pas livrés avec un bouchon de dérivation. Pour en obtenir un gratuitement, composez le 800-GECARES. Au Canada, le 800.561.3344.

SERVICE

Avant de communiquer avec le service après-vente, consultez les conseils de dépannage dans le manuel d'utilisation. Au besoin, une visite de service peut être programmée en visitant GEAppliances.com ou en composant le 800.ge.CARES (800.432.2737).

Vérité ou mythe

Vérité ou mythe?	Réponse	Explication
Le filtre d'eau du réfrigérateur peut nécessiter un remplacement, même si le voyant du filtre n'est pas passé au rouge, ou affiche la mention « Filter Expired » (filtre périmé).	VRAI	Le voyant du filtre d'eau signale la nécessité de remplacer le filtre tous les six mois. La qualité de l'eau varie de ville en ville. Si le débit d'eau du distributeur ou si la production de glace diminuent, il faut remplacer le filtre d'eau même si le voyant ne l'indique pas encore.
La machine à glaçons automatique de mon réfrigérateur produira de la glace si ce dernier est branché dans une prise de courant.	MYTHE	Le réfrigérateur doit être raccordé à l'alimentation d'eau, et la machine à glaçons doit être allumée. Assurez-vous que la machine est allumée, mais seulement après le raccordement à la conduite d'eau et l'ouverture de celle-ci. La machine à glaçons peut être allumée ou éteinte à partir des commandes. Pour s'assurer qu'elle est allumée, il suffit de regarder le panneau de commande du réfrigérateur. Voyez la section Machine à glaçons automatique.
Une fois le réfrigérateur branché à l'électricité et raccordé à l'eau, j'obtiendrai immédiatement de l'eau refroidie du distributeur.	MYTHE	Le réservoir du distributeur d'eau situé à l'intérieur du réfrigérateur emmagasine l'eau pour la distribution. Cette eau nécessite 24 heures pour refroidir après l'installation. Un usage intensif ne permettra pas à l'eau de refroidir.
Après la distribution d'eau, il est normal de voir quelques gouttes tomber.	VRAI	Quelques gouttes s'échappent après le relâchement de la palette d'activation du distributeur. Pour réduire le dégouttage, retirez lentement le verre du distributeur.
Je ne verrai jamais de givre à l'intérieur du compartiment congélateur.	MYTHE	En général, du givre à l'intérieur du congélateur indique que la porte n'est pas étanche ou qu'elle est restée ouverte. Si du givre est observé, nettoyez-le à l'aide d'une spatule en plastique et d'une serviette, puis vérifiez qu'aucun emballage ou contenant de nourriture ne gêne la fermeture de la porte du congélateur. Vérifiez sur le panneau de commande du réfrigérateur que l'alarme de porte est activée.
Une fois le réfrigérateur installé, ou après le remplacement du filtre, je dois distribuer l'eau durant cinq minutes.	VRAI	De l'air est emprisonné dans la conduite d'eau lorsqu'un réfrigérateur ou un filtre d'eau est nouvellement installé. Pressez la palette du distributeur et distribuez de l'eau froide durant au moins 5 minutes pour expulser l'air de la conduite et rincer le filtre.
Pour remplir le bac à glace à sa capacité maximale, je dois distribuer de la glace 12 heures et 18 heures après l'installation.	VRAI	Distribuer 3 à 4 cubes 12 et 18 heures après l'installation permet à la glace de se disperser dans le bac, ce qui en retour demande à la machine de produire de la glace additionnelle. La production de glace normale est de 100 cubes en 24 heures.
Je peux utiliser le bouchon de dérivation du filtre d'eau pour déterminer s'il faut remplacer le filtre.	VRAI	Une diminution du débit d'eau ou de la production de glace peut indiquer la nécessité de remplacer le filtre. Installez le bouchon de dérivation (fourni avec certains modèles de réfrigérateur*), et vérifiez le débit du distributeur. Si le débit d'eau revient à la normale avec le bouchon de dérivation en place, remplacez le filtre d'eau.
Le dessus des portes du réfrigérateur sera toujours aligné.	MYTHE	Plusieurs facteurs peuvent modifier l'alignement des portes du compartiment réfrigérateur, par exemple le plancher sur lequel il est installé ainsi que la charge dans les portes. Si le dessus des portes du compartiment réfrigérateur n'est pas aligné, utilisez une clé hexagonale de ¼ po pour ajuster la porte de gauche ou de droite. La vis de réglage est située dans le bas de la porte à gauche ou à droite: ouvrez la porte pour accéder à la vis. Sur certains modèles, la porte de gauche peut être relevée à l'aide d'espaceurs. Composez le 800-GEARES pour obtenir des espaceurs.
Il est facile de serrer les poignées des portes du réfrigérateur.	VRAI	Si les poignées de porte sont lâches ou présentent du jeu, on peut utiliser une clé hexagonale de 1/8 po pour les serrer, ou les vis de réglage situées aux extrémités des poignées.
Votre glace peut manifester des problèmes de goût et d'odeur.	VRAI	Après le démarrage de la machine à glaçons, jetez la production de glace des dernières 24 heures pour prévenir les problèmes de goût et d'odeur.

SERVICE

Avant de communiquer avec le service après-vente, consultez les conseils de dépannage dans le manuel d'utilisation. Au besoin, une visite de service peut être programmée en visitant GEAppliances.com ou en composant le 800.ge.CARES (800.432.2737).

Vérité ou mythe

Vérité ou mythe?	Réponse	Explication
Je peux effectuer des réglages fins sur les portes du compartiment réfrigérateur pour les aligner.	VRAI	Si les portes du compartiment réfrigérateur ne sont pas alignées, utilisez une clé hexagonale ¼ po pour régler la porte de droite. La vis de réglage est située dans le bas de la porte à droite. Ouvrez la porte du congélateur pour l'accès. On peut relever la porte du compartiment réfrigérateur de gauche à l'aide d'espateurs. Composez le 800-GEARES pour obtenir des espateurs.
Les poignées de porte devraient toujours être enlevées pour l'installation	MYTHE	Consultez le tableau au dos de ces instructions. S'il faut enlever les portes, ou si le réfrigérateur passe facilement par les ouvertures de passage, n'enlevez pas les poignées. Pour serrer les poignées lâches ou qui laissent voir un jeu, réglez les vis de serrage de 1/8 po sur l'une ou l'autre extrémité des poignées.
L'enlèvement de la porte est nécessaire pour l'installation	MYTHE	Consultez le tableau au dos de ces instructions. Il faut enlever les portes uniquement lorsque cela est nécessaire pour permettre le passage jusqu'à la destination finale sans dommage.
Les portes du réfrigérateur qui ne ferment pas correctement après l'installation peuvent être ajustées pour corriger le problème.	VRAI	Le mécanisme des portes fonctionne le mieux si celles-ci sont installées à 90°. Si elles sont installées à 180°, retirez la porte de la charnière intermédiaire, et ouvrez la porte sur 180° avant de la réinstaller. Voyez la section Réinstallation des portes du réfrigérateur.
On peut régler les roulettes arrière.	MYTHE	Les pieds de nivellement avant sont réglables et doivent servir à équilibrer le réfrigérateur. Ces pieds de nivellement sont utilisés pour effectuer l'ajustement initial des portes du compartiment réfrigérateur.
Vérifiez les fuites après chaque raccordement à l'alimentation d'eau.	VRAI	Lorsque vous purgez l'air du système d'eau, vérifiez l'absence de fuites sur tous les raccords à la conduite d'eau. Vérifiez le raccordement à l'alimentation d'eau de la maison à l'arrière du réfrigérateur, et au raccord du tuyau d'eau de la porte.
Tout résidu d'emballage ou d'aliments peut se nettoyer à l'aide de n'importe quel type de nettoyant.	MYTHE	N'utilisez pas de la cire pour électroménagers, des produits à polir, des javellisants ni d'autres produits contenant du chlore sur les panneaux, les poignées ou les garnitures en acier inoxydable. Consultez les instructions de la section Nettoyage de l'extérieur pour de l'information détaillée.

*Certains modèles ne sont pas livrés avec un bouchon de dérivation. Pour en obtenir un gratuitement, composez le 800-GEARES. Au Canada, le 800.561.3344.

Garantie du réfrigérateur. (pour les produits achetés aux États-Unis)



Toutes les réparations en vertu de la garantie sont fournies par nos Centre de Service d'Usine ou par un technicien autorisé Customer Care®. Pour prévoir une réparation, consultez notre site www.electromenagersge.ca ou appelez le 800.561.3344. Veuillez avoir votre numéro de série et votre numéro de modèle à portée de main lorsque vous appelez pour obtenir un service.

Agrafez votre facture ici. Pour bénéficier du service de réparation sous garantie, une preuve de la date d'achat initial est nécessaire.

Pour le diagnostic, la réparation de votre réfrigérateur peut nécessiter l'utilisation du port de données embarqué. Celui-ci permet au technicien de réparation GE de diagnostiquer rapidement des problèmes avec votre appareil. Il permet également à GE d'améliorer ses produits en fournissant à ces derniers des informations sur votre appareil. Si vous ne voulez pas que les données de votre appareil soient envoyées à GE, veuillez demander à votre technicien de NE PAS soumettre les données à GE pendant la réparation.

Pendant la période de garantie de :	GE remplacera :
Un An A compter de la date d'achat initial	Toute pièce du réfrigérateur qui s'avère défectueuse en raison d'un défaut de matériau ou de fabrication. Pendant la validité de la présente garantie limitée d'un an, GE fournira également gratuitement la main d'œuvre et le service pour réparer la pièce défectueuse.
Trente jours (filtre à eau, si inclus) A compter de la date d'achat initial	Toute pièce de la cartouche filtrante qui ne fonctionne pas à cause d'un vice de matériau ou de main d'œuvre. Pendant la validité de la présente garantie limitée de 30 jours , GE fournira gratuitement une cartouche filtrante de remplacement.
SEULEMENT MODÈLES GE PROFILE™ AND GE CAFÉ™	
Cinq Ans A compter de la date d'achat	Toute pièce du système fermé du réfrigérateur (compresseur, condenseur, évaporateur et tous les tuyaux de raccordement) qui s'avère défectueuse en raison d'un défaut de matériau ou de fabrication. Pendant la validité de la présente garantie limitée de cinq ans , GE fournira également gratuitement la main d'œuvre et le service pour réparer la pièce défectueuse dans le système fermé du réfrigérateur.

Ce qui n'est pas couvert par GE Appliances :

- Les déplacements à votre domicile pour vous expliquer l'utilisation de ce produit
- Une installation, livraison ou maintenance défectueuse.
- Une panne du produit par abus d'utilisation, par mauvaise utilisation, par modification ou s'il a été utilisé dans un but autre que celui pour lequel il a été fabriqué.
- Détérioration des aliments.
- Le remplacement des fusibles ou le réenclenchement du disjoncteur du domicile.
- Les dommages causés après la livraison.
- Le remplacement de la cartouche filtrante, si incluse, à cause d'une pression d'eau en dehors de la gamme de fonctionnement recommandée ou à cause d'une concentration excessive de sédiments dans l'eau d'alimentation.
- Le remplacement des ampoules, si incluses, ou la cartouche filtrante, si incluse, et dans des conditions autres que celles susmentionnées.
- Tout dommage causé par accident, incendie, inondation ou une catastrophe naturelle.
- Tout dommage fortuit ou indirect causé par des défauts éventuels de cet appareil.
- Le service s'il est impossible d'avoir accès au produit.
- Dommages causés par l'utilisation d'un filtre qui n'est pas de marque GE Appliances.

EXCLUSION DES GARANTIES TACITES - Votre recours exclusif est l'échange du produit suivant les modalités de la Garantie Limitée. Toutes garanties tacites, y compris les garanties de valeurs marchandes ou d'adéquation à des fins particulières, sont limitées à une durée d'un an ou à la durée la plus courte autorisée par la loi.

Cette garantie est étendue à l'acheteur d'origine et aux propriétaires suivants pour tout produit acheté pour une utilisation domestique aux États-Unis. Si le produit est installé dans une région où ne se trouve aucun réparateur autorisé GE Appliances, vous devrez peut-être assumer les frais de transport ou apporter l'appareil à un centre de service autorisé GE Appliances. En Alaska, cette garantie exclut le coût d'expédition ou de dépannage à votre domicile.

Certains états n'acceptent pas d'exclusion ou de limites aux dommages indirects consécutifs. Certains droits particuliers vous sont dévolus en vertu de la présente garantie et peuvent s'accompagner d'autres droits qui varient selon votre lieu de résidence. Pour connaître vos droits juridiques, veuillez consulter le bureau local ou le bureau d'état des affaires aux consommateurs ou le Procureur Général de votre état.

Garant : General Electric Company, Louisville, KY 40225

Fiche technique de performance

Système de filtration SmartWater^{MC} - Cartouche MWF de GE

La concentration des substances indiquées dans l'eau alimentant le système a été réduite à une concentration inférieure ou égale à la limite autorisée pour l'eau de sortie du système, comme exigé par les normes 42 et 53 de la NSF/ANSI*. Ce système a été mis à l'essai et certifié pour la réduction des substances indiquées ci-dessous par la NSF International et est conforme aux normes 42 et 53 de la NSF/ANSI.

Capacité 300 gallons (1 135 litres). Réduction de contaminants déterminée par des essais NSF.

Substance analysée pour la réduction	Concentration influente moyenne	Concentration influente spécifiée par NSF	% moyen de réduction	Concentration moyenne de substance en sortie	Concentration max permmissible de substance en sortie	Exigences de réduction NSF	NSF Test Report
Goût et ordeur de chlore	2.0 mg/L	2.0 mg/L ± 10%	97.5%	0.05 mg/L	N/A	≥ 50%	J-00077703
Particules nominales, Classe I ≥0,5 à < 1,0 µm	7,833,333 pts/mL	Au moins 10 000 particules/mL	99.7%	18,617 pts/mL	N/A	≥85%	J-00077704
Kystes*	101,000 Kystes/L	Minimum 50,000 Kystes/L	99.99%	1 Kystes/L	N/A	≥99.95%	J-00100036
Amiante	47 MF/L	107 à 108 fibres/L; fibres supérieures à 10 µm de long	>99%	<1 MF/L	N/A	≥99%	J-00077707
Atrazine	0.009 mg/L	0.009 mg/L ± 10%	94.5%	0.0005 mg/L	0.003 mg/L	N/A	J-00077708
Benzène	0.016 mg/L	0.015 mg/L ± 10%±	96.7%	0.0005 mg/L	0.005 mg/L	N/A	J-00077717
Carbofuran	0.08 mg/L	0.08 mg/L ± 10%	98.7%	0.001 mg/L	0.04 mg/L	N/A	J-00077718
Endrin	0.007 mg/L	0.006 mg/L ± 10%	97.1%	0.0002 mg/L	0.002 mg/L	N/A	J-00100039
Plomb @ pH 6.5	0.152 mg/L	0.15 mg/L ± 10%	99.3%	0.001 mg/L	0.010 mg/L	N/A	J-00077722
Plomb @ pH 8.5	0.148 mg/L	0.15 mg/L ± 10%	99.3%	0.001 mg/L	0.010 mg/L	N/A	J-00077723
Lindane	0.002 mg/L	0.002 mg/L ± 10%	99.0%	0.00002 mg/L	0.0002 mg/L	N/A	J-00077726
Mercure @ pH 6.5	0.0058 mg/L	0.006 mg/L ± 10%	93.2%	0.0004 mg/L	0.002 mg/L	N/A	J-00100037
Mercure @ pH 8.5	0.0061 mg/L	0.006 mg/L ± 10%	93.2%	0.0004 mg/L	0.002 mg/L	N/A	J-00092355
P-dichlorobenzène	0.222 mg/L	0.225 mg/L ± 10%	99.8%	0.005 mg/L	0.075 mg/L	N/A	J-00077729
Tétrachloréthylène	0.015 mg/L	0.015 mg/L ± 10%	96.7%	0.0005 mg/L	0.005 mg/L	N/A	J-00082184
Toxaphène	0.015 mg/L	0.015 mg/L ± 10%	93.2%	0.001 mg/L	0.003 mg/L	N/A	J-00077730
2,4-D	0.218 mg/L	0.210 mg/L ± 10%	99.5%	0.0009 mg/L	0.07 mg/L	N/A	J-00085470

*Basé sur l'utilisation des oocystes de cryptosporidium parvum.

Les énoncés de réduction pharmaceutiques n'ont pas été certifiés par la NSF International ou l'état de la Californie.

Énoncés éprouvés et vérifiés par un laboratoire indépendant :

Réduction de contaminant	Moyenne pour l'eau d'alimentation	Concentration d'amorce spécifiée par NSF	% réduction moyenne	Concentration moyenne de substance en sortie	Concentration max permmissible en sortie	Exigences de réduction NSF	Rapport d'essai NSF
Aténolol	978 ng/L	N/A	99.5%	5.0 ng/L	N/A	N/A	J-00121587
Fluoxétine	907 ng/l	N/A	99.4%	5.4 ng/L	N/A	N/A	J-00121587
Ibuprofène	885 ng/L	N/A	94.1%	52.3 ng/L	N/A	N/A	J-00121588
Progestérone	1097 ng/L	N/A	99.5%	5.0 ng/L	N/A	N/A	J-00121589
Triméthoprime	415 ng/L	N/A	99.5%	2.0 ng/L	N/A	N/A	J-00121587

Directives et paramètres de l'alimentation en eau

Débit fourni	0.5 gpm (21.9 lpm)	Pression d'eau	40-120 psi (2.8-8.2 bar)
Alimentation en eau	Eau potable	Température de l'eau	33°F-100°F (0.6°C-38°C)

Il est impératif que les méthodes d'installation, d'entretien et de remplacement du filtre recommandées par le fabricant de ce produit soient respectées.

Consultez le manuel d'installation pour connaître les renseignements de la garantie.

Remarque : Bien que les essais aient été effectués dans des conditions normales de laboratoire, la performance actuelle peut varier.

Cartouche de rechange : MWF. Pour connaître les coûts évalués des articles de rechange, veuillez appeler au 1-800-626-2002 ou visitez notre site internet au www.geapplianceparts.com.

AVERTISSEMENT

Pour réduire le risqué associé à l'ingestion de contaminants :

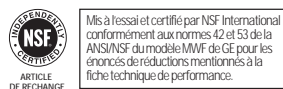
- **N'utilisez pas l'eau dont la salubrité microbiologique est inconnue ou dangereuse sans avoir effectué une désinfection des composants d'arrivée et de sortie du système.** Les systèmes certifiés pour la réduction de kystes peuvent être utilisés pour de l'eau désinfectée contenant des kystes filtrables. Établissement EPA no 10350-MN-005.

Consultez la fiche technique de performance pour connaître les conditions d'utilisation, les énoncés de santé certifiés par le service de santé publique de la Californie et les remplacements. Certification du service de santé publique de la Californie no 05-1698. Les contaminants qui peuvent être réduits ou éliminés par ce filtre à eau ne sont pas obligatoirement présents dans votre eau.

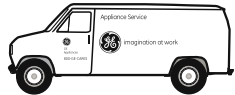
AVIS

Pour réduire le risque associé aux dommages matériels causés par des fuites d'eau :

- **Lisez et suivez** les instructions avant de procéder à l'installation et d'utiliser votre système.
- L'installation et l'utilisation **DOIVENT** être conformes à tous les codes locaux et nationaux de plomberie.
- **Ne procédez pas** à l'installation si la pression de l'eau dépasse 120 lb/po² (8.2 bars). Si votre pression d'eau dépasse 80 lb/po² (552 kPa), il est nécessaire d'installer un système de limitation de pression. Communiquez avec un plombier professionnel si vous n'êtes pas sûr de la méthode de vérification de la pression d'eau.
- **N'installez pas** le système s'il y a des possibilités de coups de bélier. En cas de coup de bélier, vous devez installer un dispositif anticoup de bélier. Communiquez avec un plombier professionnel si n'êtes pas sûr de la méthode permettant de vérifier cette condition.
- **Ne raccordez pas** le système à des conduites d'alimentation d'eau chaude. La température de service maximale de ce système de filtre est de 38 °C (100 °F).
- **Protégez le filtre contre le gel.** Vidangez l'eau du filtre lorsque la température se situe sous 0,6 °C (33 °F).
- La cartouche du filtre jetable **doit** être remplacée tous les **six (6) mois** ou moins si le débit d'eau du distributeur d'eau ou du distributeur de glace diminue.



Garantie limitée de la cartouche filtrante d'eau MWF



Contactez-nous au www.geappliances.ca
ou en composant 1.800.561.3344

Brochez votre reçu ici. La preuve d'achat d'origine est obligatoire pour obtenir le service en vertu de la garantie.

Pendant une période de :

Nous remplacerons sans frais :

Trente jours

À partir de la date d'achat d'origine

Toute pièce défectueuse de la cartouche filtrante en raison d'un vice de matière ou de fabrication durant cette **garantie limitée de trente jours.***

Ce que la garantie ne couvre pas :

- Déplacement d'un technicien au domicile pour des explications sur le produit.
- Installation incorrecte.
- Défaillance du produit imputable à un emploi incorrect ou abusif, ou à une utilisation commerciale ou non prévue
- Remplacement des fusibles ou réarmement des disjoncteurs de la résidence.
- Remplacement de la cartouche filtrante imputable à la pression d'eau hors des limites de fonctionnement spécifiées ou à une sédimentation excessive de l'alimentation d'eau.
- Détérioration du produit imputable à : accident, incendie, inondation ou catastrophe naturelle.
- Dommages accessoires ou indirects résultant de possibles défauts de cet appareil.

Cette garantie est destinée à l'acheteur d'origine et à tout propriétaire subséquent pour les produits acquis à des fins d'utilisation domestique à l'intérieur des États-Unis. En Alaska, la garantie exclut les frais de livraison et les appels de service depuis votre domicile.

Certains États n'autorisent pas l'exclusion ou la limitation des dommages accessoires ou indirects. Certains droits particuliers vous sont dévolus en vertu de la présente garantie et peuvent s'accompagner d'autres droits qui varient d'un État à l'autre. Pour connaître vos droits, consultez l'autorité locale ou de l'État en matière de droits des consommateurs, ou encore le Procureur général de votre État.

Achats effectués en Iowa : Ce formulaire doit être signé et daté par l'acheteur et le vendeur avant la consommation du produit.

Ce formulaire doit être conservé dans les dossiers du vendeur pendant un minimum de deux ans.

Acheteur :

Nom _____

Adresse _____

Ville _____ État _____ Code postal _____

Signature _____ Date _____

Vendeur :

Nom _____

Adresse _____

Ville _____ État _____ Code postal _____

Signature _____ Date _____

* Si votre pièce GE s'avère défectueuse en raison d'un vice de fabrication durant la période de trente jours suivant la date d'achat d'origine, nous vous offrirons, à notre discrétion et sans frais, une pièce neuve ou reconstruite. Retournez la pièce défectueuse au fournisseur où s'est effectué l'achat accompagnée d'une copie de la preuve d'achat de la pièce. Si la pièce s'avère défectueuse et qu'elle ne présente aucun signe d'usage abusif, elle sera remplacée. La garantie ne couvre pas la défectuosité de pièces qui ont été endommagées alors qu'elles étaient en votre possession, dont l'usage a été abusif, ou dont l'installation est incorrecte. Elle ne couvre pas les frais de retour de la pièce au fournisseur où l'achat a eu lieu, ni les coûts de main-d'œuvre pour la retirer ou l'installer afin de diagnostiquer la défectuosité. Elle ne couvre pas les pièces dont l'usure découle d'une utilisation commerciale, à l'exception des équipements de climatisation. En aucune circonstance GE ne sera tenue responsable des dommages indirects. Débiteur de la garantie : General Electric Company.

EXCLUSION DES GARANTIES IMPLICITES : Votre seul et unique recours consiste dans le remplacement de la pièce telle que décrite dans cette Garantie limitée. Toute garantie implicite, y compris les garanties relatives à la qualité marchande ou à l'adéquation à un usage particulier, est limitée à six mois ou à la période la plus courte autorisée par la loi.



GE APPLIANCES

Appliance Park
Louisville, KY 40225
gewaterfilters.com

Soutien au consommateur.



Site Web appareils électroménagers GE

electromenagersge.ca

Vous avez une question ou vous avez besoin d'aide pour votre appareil électroménager? Contactez-nous par Internet au site electromenagersge.ca 24 heures par jour, tous les jours de l'année.



Service de réparations

1.800.561.3344

Service de réparations GE Appliances est tout près de vous.
Pour faire réparer votre électroménager GE, il suffit de nous téléphoner.



Studio de conception réaliste

Sur demande, GE Appliances peut fournir une brochure sur l'aménagement d'une cuisine pour les personnes à mobilité réduite.

Écrivez: Directeur, Relations avec les consommateurs, Mabe Canada Inc.
Bureau 310, 1 Factory Lane
Moncton, N.B. E1C 9M3

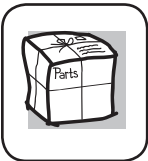


Prolongation de garantie

electromenagersge.ca

Achetez un contrat d'entretien GE Appliances avant que votre garantie n'expire et bénéficiez d'un rabais substantiel. Ainsi le service après-vente GE Appliances sera toujours là après expiration de la garantie.

Visitez notre site Web ou appelez-nous au 1.800.461.3636.



Pièces et accessoires

Ceux qui désirent réparer eux-mêmes leurs électroménagers peuvent recevoir pièces et accessoires directement à la maison (cartes VISA, MasterCard et Discover acceptées).

Les directives stipulées dans le présent manuel peuvent être effectuées par n'importe quel utilisateur. Les autres réparations doivent généralement être effectuées par un technicien qualifié. Soyez prudent, car une réparation inadéquate peut affecter le fonctionnement sécuritaire de l'appareil.

Vous trouverez dans les pages jaunes de votre annuaire le numéro du Centre de service Mabe le plus proche. Autrement, appelez-nous au 1.888.261.3055.



Contactez-nous

1.800.661.1616

Si vous n'êtes pas satisfait du service après-vente dont vous avez bénéficié :

Premièrement, communiquez avec les gens qui ont réparé votre appareil.

Ensuite, si vous n'êtes toujours pas satisfait envoyez tous les détails–numéro de téléphone compris–au

Directeur, Relations avec les consommateurs, MC Commercial.
Bureau 310, 1 Factory Lane
Moncton, N.B. E1C 9M3



Inscrivez votre appareil électroménager

Inscrivez votre appareil électroménager en direct, aussitôt que possible. Cela améliorera nos communications et notre service après-vente. Vous pouvez également nous envoyer par la poste le formulaire d'inscription joint à votre documentation.