



# Dryers

**Safety Instructions** ..... 2-4

**Operating Instructions**

Controls ..... 4-8  
Quick Start ..... 9  
Using the Dryer ..... 9  
Features ..... 10

**Care and Cleaning** ..... 11

**Installation Instructions**

Reversing the Door Swing ..... 31-35  
Stacking the Washer/Dryer ..... 36-38

**Troubleshooting Tips** ..... 39-42

**Consumer Support**

Consumer Support ..... Back Cover  
Warranty (Canada) ..... 44  
Warranty (U.S.) ..... 43

**Owner's Manual &  
Installation Instructions**

GFMS175  
GFMS170

## Sécheuses

**Manuel d'utilisation et  
d'installation**

La section française commence à la page 45

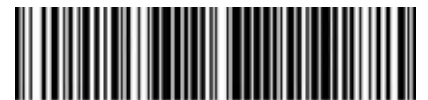


**Write the model and serial  
numbers here:**

**Model #** \_\_\_\_\_

**Serial #** \_\_\_\_\_


They are on the label on the front  
of the dryer behind the door.



**234D2376P001**  
49-90520 03-14 GE

# **IMPORTANT SAFETY INFORMATION.**

## **READ ALL INSTRUCTIONS BEFORE USING.**


 This is the safety alert symbol. This symbol alerts you to potential hazards that can kill you or hurt you and others. All safety messages will follow the safety alert symbol and the word "DANGER", "WARNING", or "CAUTION". These words are defined as:

 **DANGER** Indicates a hazardous situation which, if not avoided, **will** result in death or serious injury.

 **WARNING** Indicates a hazardous situation which, if not avoided, **could** result in death or serious injury.

 **CAUTION** Indicates a hazardous situation which, if not avoided, **could** result in minor or moderate injury.

## **IMPORTANT SAFETY INSTRUCTIONS**

 **WARNING** To reduce the risk of fire, explosion, electric shock, or injury to persons when using your appliance, follow basic precautions, including the following:

- Read all instructions before using the appliance.
- DO NOT dry articles that have been previously cleaned in, washed in, soaked in or spotted with gasoline, dry-cleaning solvents, or other flammable or explosive substances, as they give off vapors that could ignite or explode.
- DO NOT allow children to play on or in this appliance. Close supervision of children is necessary when this appliance is used near children. Before the appliance is removed from service or discarded, remove the door to the drying compartment.
- DO NOT reach into the appliance if the drum is moving.
- DO NOT install or store this appliance where it will be exposed to the weather.
- DO NOT tamper with controls, repair or replace any part of this appliance or attempt any servicing unless specifically recommended in the user maintenance instructions or in published user repair instructions that you understand and have the skills to carry out.
- DO NOT use fabric softeners or products to eliminate static unless recommended by the manufacturer of the fabric softener or product.
- DO NOT use heat to dry articles containing foam rubber or similarly textured rubber-like materials.
- Clean lint screen before or after each load. DO NOT operate the dryer without the lint filter in place.
- Do not store combustible materials, gasoline or other flammable liquids near the dryer. Keep area around the exhaust opening and adjacent surrounding areas free from the accumulation of lint, dust and dirt. Keep dryer area clear and free from items that would obstruct the flow of combustion and ventilation air.
- The interior of the appliance and exhaust duct should be cleaned periodically by qualified service personnel.
- DO NOT place items exposed to cooking oils in your dryer. Items contaminated with cooking oils may contribute to a chemical reaction that could cause a load to catch fire.
- Keep the floor around your appliances clean and dry to reduce the possibility of slipping.
- Unplug the appliance or turn off the circuit breaker before servicing. Pressing the *Power* or *Start/Pause* button DOES NOT disconnect power.
- DO NOT operate this appliance if it is damaged, malfunctioning, partially disassembled, or has missing or broken parts, including a damaged cord or plug.
- DO NOT spray any type of aerosol into, on or near dryer at any time. Do not use any type of spray cleaner when cleaning dryer interior. Hazardous fumes or electrical shock could occur.
- See "Electrical Connection" located in the Installation Instructions for grounding instructions.

## **SAVE THESE INSTRUCTIONS**

## ADDITIONAL GAS DRYER WARNINGS

**⚠ WARNING**

For your safety, the information in this manual must be followed to minimize the risk of fire or explosion or to prevent damage, personal injury, or death.

- DO NOT store or use gasoline or other flammable vapors and liquids in the vicinity of this or any other appliance.
- WHAT TO DO IF YOU SMELL GAS:
  - DO NOT try to light any appliance.
  - DO NOT touch any electrical switch; DO NOT use any phone in your building.
  - Clear the room, building, or area of any occupants.
  - Immediately call your gas supplier from a neighbor's phone. Follow the gas supplier's instructions.
  - If you cannot reach your gas supplier, call the fire department.
- Installation and service must be performed by a qualified installer, service agency, or the gas supplier.

### *State of California Proposition 65 Warnings:*

The California Safe Drinking Water and Toxic Enforcement Act requires the governor of California to publish a list of substances known to the state to cause cancer, birth defects or other reproductive harm and requires businesses to warn of potential exposure to such substances.

**⚠ WARNING**

This product contains one or more chemicals known to the State of California to cause cancer, birth defects or other reproductive harm.

Gas appliances can cause low-level exposure to some of these substances, including benzene, carbon monoxide, formaldehyde and soot, caused primarily by the incomplete combustion of natural gas or LP fuels. Exposure to these substances can be minimized by properly venting the dryer to the outdoors.

## SAVE THESE INSTRUCTIONS

# About the dryer control panel.

## ⚠️ WARNING!

To reduce the risk of fire, electric shock, or injury to persons, read the **IMPORTANT SAFETY INSTRUCTIONS** before operating this appliance.

### ⚠️ WARNING



#### Explosion Hazard

Keep flammable materials and vapors, such as gasoline, away from dryer.  
**DO NOT** dry anything that has ever had anything flammable on it (even after washing).  
 Failure to do so can result in death, explosion, or fire.

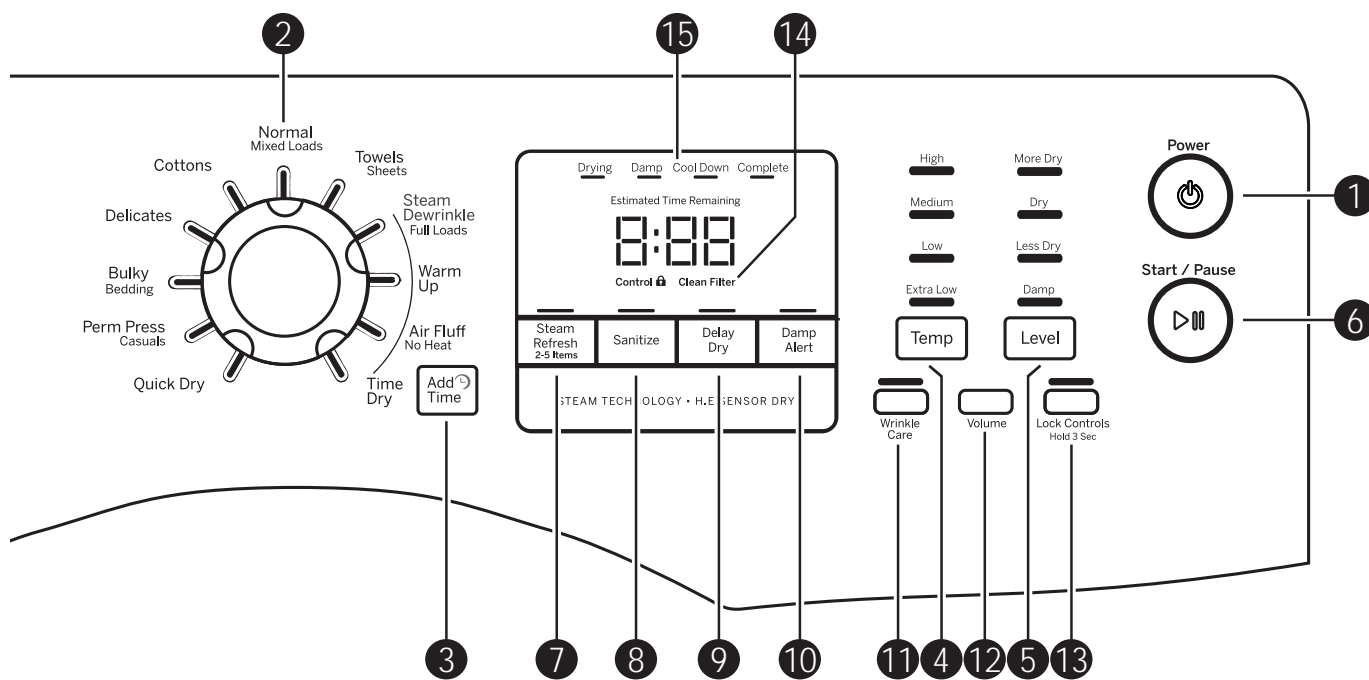
### ⚠️ WARNING



#### Fire Hazard

No washer can completely remove oil.  
 Do not dry anything that has ever had any type of oil on it (including cooking oils).  
 Items containing foam, rubber, or plastic must be dried on a clothesline or by using an air dry cycle.  
 Failure to follow these instructions can result in death or fire.

Throughout this manual, features and appearance may vary from your model.



# Control settings.

## Quick Start

1 Press the **Power** button.

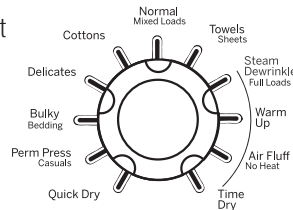
If the screen is dark, a press of the **Power** button will “wake up” the display.



3 Press the **Start/Pause** button.



2 Select a dry cycle. (Defaults are set for each cycle. These default settings can be changed. See **Control settings** for more information.)



### 1 Power

Press to “wake up” the display. If the display is active, press to turn the dryer off.








**NOTE:** Pressing **Power** does not disconnect the appliance from the power supply.

### 2 Dry Cycles

The dry cycle controls the length and tumble speed of the drying process. The chart below will help you match the dry setting with the loads.

<b>Normal/Mixed Loads</b>	For loads consisting of cottons and poly-blends.
<b>Cottons</b>	For cottons and most linens.
<b>Delicates</b>	For lingerie and special-care fabrics.
<b>Bulky/Bedding</b>	For large coats, bed spreads, mattress covers, sleeping bags, blankets, comforters, jackets, small rugs, and similar large and bulky items.
<b>Perm Press/Casuals</b>	Clothing worn for active sports exercise and some casual wear. Fabrics include new technology finishes and stretch fibers such as Spandex. Also for clothing labeled Easy Care or Perma Press: For wrinkle-free and permanent press items.
<b>Quick Dry</b>	For small loads that are needed in a hurry, such as sports or school uniforms. Can also be used if the previous cycle left some items damp, such as collars or waistbands.
<b>Towels/Sheets</b>	Use for towels <i>OR</i> sheets. It is <i>not</i> recommended to mix towels <i>and</i> sheets in the same load.
<b>Steam Dewrinkle Full Loads</b>	Provides 20 minutes of steam drying to assist with dewrinkling clothes. Ideal for loads left in dryer for an extended time.
<b>Warm Up</b>	Provides 10 minutes of warming time to warm up clothes.
<b>Air Fluff/No Heat</b>	Provides 10 minutes of tumbling time without heat.
<b>Time Dry</b>	Use to set your own dry time. <b>Time Dry</b> is also recommended for small loads. To use: 1. Turn dry cycle dial to <b>Time Dry</b> . 2. Increase the drying time by pressing the <b>Add Time</b> button. <b>Note:</b> This button only increases the time. When max time is reached, pressing the button again will reset the counter to the lowest setting. 3. Select the <b>Temp</b> . 4. Close the door. 5. Press <b>Start/Pause</b> .

## Control settings.

- 3**  **Add Time**  
Press to add time to the **Steam Dewrinkle**, **Warm Up**, **Air Fluff** or **Time Dry** cycles in 10 minute increments.
- 
- 4**  **Temp**  
You can change the temperature of your dry cycle.
- |                  |   |
|------------------|---|
| <b>High</b>      | For regular to heavy cottons.                               |
| <b>Medium</b>    | For synthetics, blends and items labeled Permanent Press.   |
| <b>Low</b>       | For delicates, synthetics and items labeled Tumble Dry Low. |
| <b>Extra Low</b> | For lingerie and special-care fabrics.                      |
- 
- 5**  **Level**  
The sensor continuously monitors the amount of moisture in the load. When the moisture in your clothes reaches your selected dry level, the dryer will stop.
- NOTE:** Sensor dry **Level** only works with **Cottons**, **Normal**, **Active Wear**, **Delicates**, **Quick Dry**, **Bulky**, **Towels/Sheets**, **Sanitize** and **Steam Dewrinkle** cycles.
- |                 |  |
|-----------------|--|
| <b>More Dry</b> | Use for heavy or mixed type of fabrics.  |
| <b>Dry</b>      | Use for normal dryness level suitable for most loads. This is the preferred cycle for energy saving. |
| <b>Less Dry</b> | Use for lighter fabric (ideal for ironing).  |
| <b>Damp</b>     | For leaving items partially damp.  |
- 
- 6**  **Start/Pause**  
Press to start a dry cycle. If the dryer is running, press it once and it will pause the dryer. Press it again to resume the dry cycle.
- 
- 7**  **Steam Refresh Cycle**  
For slightly wrinkled dry garments. Significantly reduces wrinkles on up to 5 garments. After the **Steam Refresh** Cycle, the unit will beep and display "0:00." If the unit is not turned off or if the door is not opened, the dryer will continue to tumble for 30 minutes. At the end of 30 minutes, it will display "0:00" and the cycle will be complete.
- NOTE:** A single extremely light fabric item may need to have an additional item included to achieve optimum results.
- 
- 8**  **Sanitize**  
Reduces certain types of bacteria by 99.8%, including: Staphylococcus aureus, Pseudomonas aeruginosa, and Klebsiella pneumoniae. The antibacterial process occurs when high heat is used during a portion of this drying cycle.
- NOTE:** Do not use this cycle on delicate fabrics. \*The **Sanitize** Cycle is Certified by NSF International to NSF Protocol P154 Sanitization Performance of Residential Clothes Dryers.
- 
- NSF Protocol P154  
Sanitization Performance of  
Residential Clothes Dryers

9



### Delay Dry

Use to delay the start of your dryer.

1. Choose your dry cycle and any options.
2. Press **Delay Dry**. You can change the delay time in 1 hour increments, using the **Delay Dry** button.
3. Press the **Start/Pause** button to start the countdown.

**NOTE:** If the door is opened while the dryer is in **Delay Dry**, the countdown time will not restart unless the door is closed and **Start/Pause** button has been pressed again.

10



### Damp Alert

This option causes the dryer to beep when clothes have dried to a damp level. Remove items that you wish to hang dry. The **Damp Alert** will only beep when this option is selected, and the dryer will continue to dry.

Removing clothes and hanging them when they are damp can reduce the need to iron some items.

11



### Ext Tumble/Wrinkle Care

Minimizes wrinkles by adding approximately 60 minutes of no-heat tumbling after clothes are dry. The beeper will sound every five minutes as a reminder to remove the clothes.

The estimated time remaining display will show "0:00".

The extended tumble time does not get added to the cycle time on the display.

12



### Volume

Alerts you that the cycle is complete. The beeper will continue to sound every minute for the next 5 minutes, until the clothes have been removed. The clothes should be removed when the beeper goes off so wrinkles don't set in.

Press **Volume** to select low, medium or high volume, or to turn the beeper off.

To turn on or off the sounds the buttons make when pressed, press and hold the **Volume** button for 3 seconds .

13



### Lock Control

You can lock the controls to prevent any selections from being made. Or you can lock or unlock the controls after you have started a cycle.

To unlock the dryer controls, press and hold the **Lock Control** button for 3 seconds.

A sound is made to indicate the lock/unlock status.

Children cannot accidentally start the dryer by touching buttons with this option selected.

The indicator light above the button will illuminate when the controls are locked.

To lock the dryer, press and hold the **Lock Control** button for 3 seconds.

**NOTE:** The **Power** button can still be used when the machine is locked.

14

### Clean Filter

#### Clean Filter Message

This message represents only a reminder and does **not** always appear when the filter needs cleaning. The filter should be cleaned after every drying cycle is complete.

This message will disappear after the **Start/Pause** button is pressed. Even though you may have already cleaned the filter (before or after the **Power** button has been pressed), the "**Clean Filter**" message will still be displayed until the **Start/Pause** button is activated.

15



### Display

Displays the approximate time remaining until the end of the cycle.

Then lights will "race" in the display. This means the dryer is continuously monitoring the amount of moisture in the load. The lights will continue until the dryer senses a low level of moisture in the load. At that point, the dryer will calculate and display the approximate time remaining.

# Using the dryer.















Always follow the fabric manufacturer's care label when laundering.



## Fabric Care Labels

Below are fabric care label "symbols" that affect the clothing you will be laundering.

### Dry Labels

<b>Tumble dry</b>	 Dry	 Normal	 Permanent Press/ wrinkle resistant	 Gentle/ delicate	 Do not tumble dry	 Do not dry (used with do not wash)
<b>Heat setting</b>	 High	 Medium	 Low	 No heat/air		
<b>Special instructions</b>	 Line dry/ hang to dry	 Drip dry	 Dry flat	 In the shade		



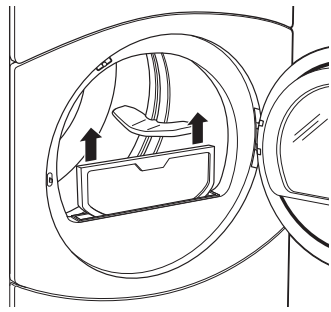
## Sorting and Loading Hints

As a general rule, if clothes are sorted properly for the washer, they are sorted properly for the dryer. Try also to sort items according to size. For example, do not dry a sheet with socks or other small items.

Do not add fabric softener sheets once the load has become warm. They may cause fabric softener stains. Bounce® Fabric Conditioner Dryer Sheets have been approved for use in this dryer when used in accordance with the manufacturer's instructions.

**Do not overload.** This wastes energy and causes wrinkling.





**The Exterior:** Wipe or dust any spills or washing compounds with a damp cloth. Dryer control panel and finishes may be damaged by some laundry pretreatment soil and stain remover products. Apply these products away from the dryer. The fabric may then be washed and dried normally. Damage to your dryer caused by these products is not covered by your warranty.

**The Lint Filter:** Clean the lint filter before each use.

Pull out the lint filter. Moisten your fingers and remove the captured lint. Once clean, slide the filter back into position. Have a qualified technician vacuum the lint from the dryer once a year.

**NEVER OPERATE  
THE DRYER WITHOUT ITS FILTER  
IN PLACE.**

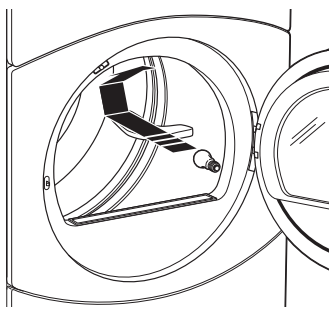
**Stainless Steel:** To clean stainless steel surfaces use a damp cloth with a mild, non-abrasive cleaner suitable for stainless steel surfaces. Remove the cleaner residue and then dry with a clean cloth.

The stainless steel used to make the dryer drum provides the highest reliability available in a GE dryer. If the dryer drum should be scratched or dented during normal use, the drum will not rust or corrode. These surface blemishes will not affect the function or durability of the drum.

**Dryer Interior and Duct:** The interior of the appliance and exhaust duct should be cleaned once a year by qualified service personnel.

**The Exhaust Duct:** Inspect and clean the exhaust ducting at least once a year to prevent clogging. A partially clogged exhaust can lengthen the drying time.

**The Exhaust Hood:** Check with a mirror that the inside flaps of the hood move freely when operating. Make sure that there is no wildlife (birds, insects, etc.) nesting inside the duct or hood.



## Drum Lamp

The drum lamp comes on automatically when the door is opened.

Before replacing the light bulb, be sure to unplug the dryer power cord or disconnect the dryer at the household distribution panel by removing the fuse or switching off the circuit breaker. Reach above dryer opening from inside the drum. Remove the bulb and replace with the same size bulb.

Order replacement bulb **WE4M305** on-line at [GEApplianceParts.com](http://GEApplianceParts.com), by phone at **800.626.2002** during normal business hours, or purchase appliance bulb **7C7** from your local retailer.

# Installation Instructions

## REVERSING THE DOOR SWING (if desired)

### IMPORTANT NOTES

- Read the instructions all the way through before starting.
- Handle parts carefully to avoid scratching paint.
- Set screws down by their related parts to avoid using them in the wrong places.
- Provide a non-scratching work surface for the doors.
- Normal completion time to reverse the door swing is 30–60 minutes.

**IMPORTANT:** Once you begin, do not move the cabinet until door-swing reversal is completed.

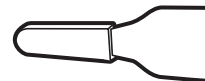
These instructions are for changing the hinges from the right side to the left side—if you ever want to switch them back to the right side, follow these same instructions and reverse all references to the left and right.

### TOOLS YOU WILL NEED

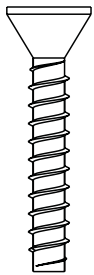
- ☐ Phillips-head screwdriver



- ☐ Putty Knife or Thin-Blade Screwdriver



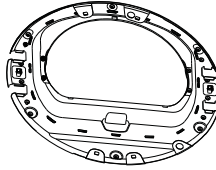
### DOOR PARTS



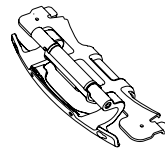
6 - Tapping Screws



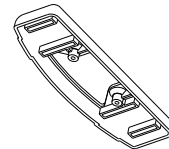
Outer Ring



Inner Door



Hinge



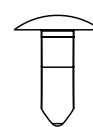
Hinge Cover



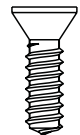
4 - Hinge Screws



8 - Machine Screws



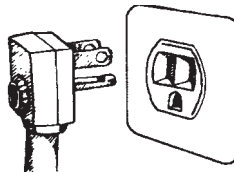
4 - Beauty Buttons



2 - Strike Bracket  
Screws

### BEFORE YOU START

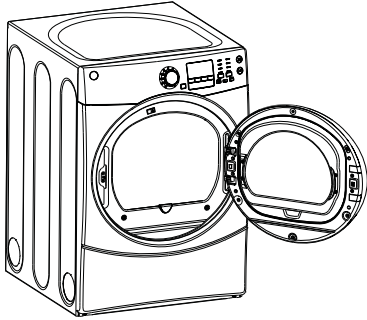
Unplug the dryer from its electrical outlet.



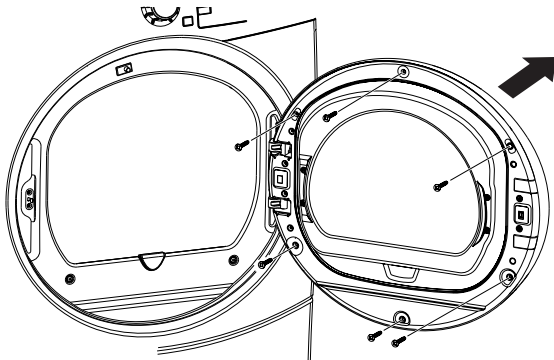
# Installation Instructions

## 1 REMOVE THE DOOR ASSEMBLY

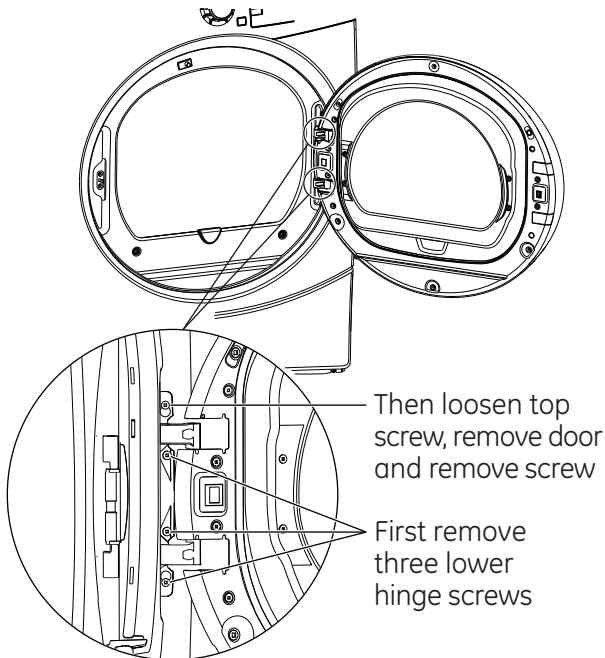
A. Open the door to approximately 130 degrees.



B. Remove the 6 tapping screws located around the perimeter of the door outlining the gasket. Remove the outer ring.



C. Remove 3 hinge screws starting at the bottom and move up. Make sure the door is supported while removing the screws.

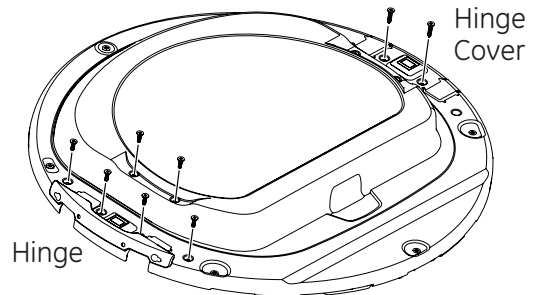


D. Loosen the top screw as shown. Unhook the door by lifting and pulling. Remove the top screw.

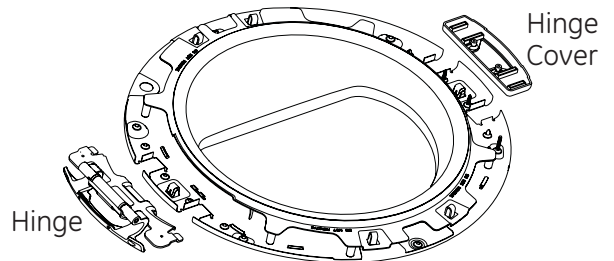
## 2 REMOVE HINGE AND COVER

**IMPORTANT:** Note the location of the hinge (left or right) before removing.

A. Remove the 6 machine screws from the hinge and the 2 screws from the hinge cover.

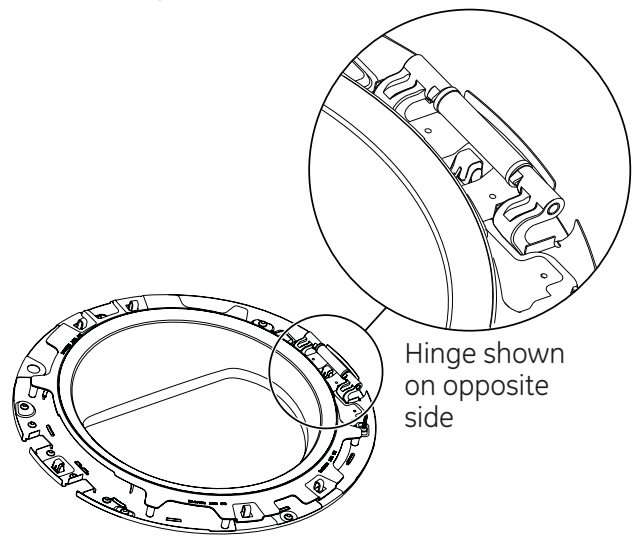


B. With the screws removed, turn the door over and separate the outer door assembly and hinge cover of the door from the door frame and set aside.



## 3 REINSTALL HINGE ASSEMBLY

A. Place the hinge in the opposite side of the door as shown. Push the hinge in place until the hinge holes align with the door holes.

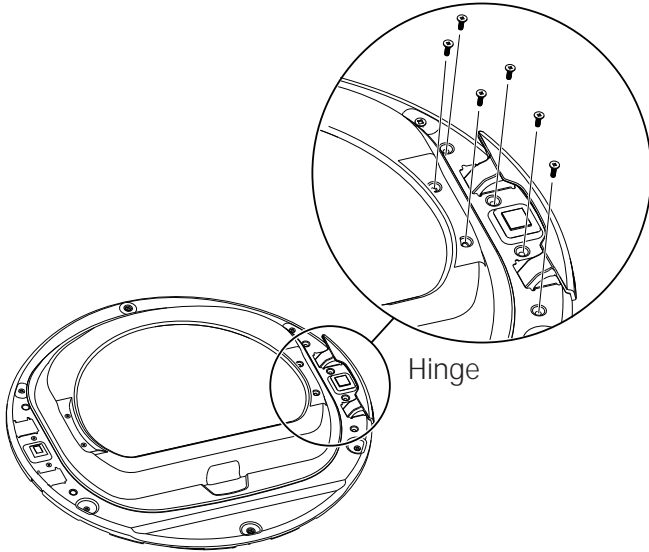


# Installation Instructions

## REVERSING THE DOOR SWING (if desired)

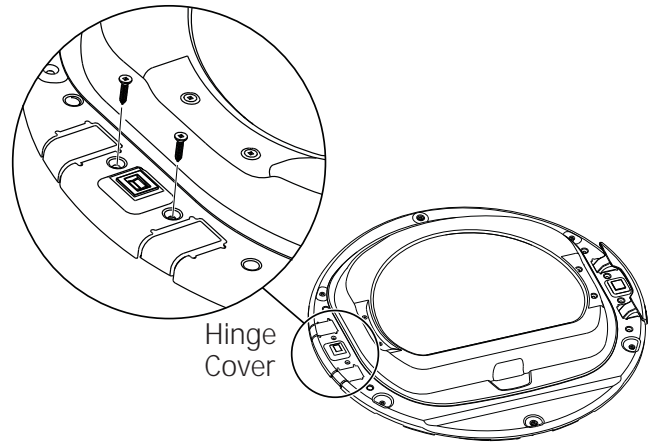
### 3 REINSTALL HINGE ASSEMBLY (cont.)

- B. Hold the hinge in place and turn the door over. Install the hinge using the 6 machine screws removed earlier.



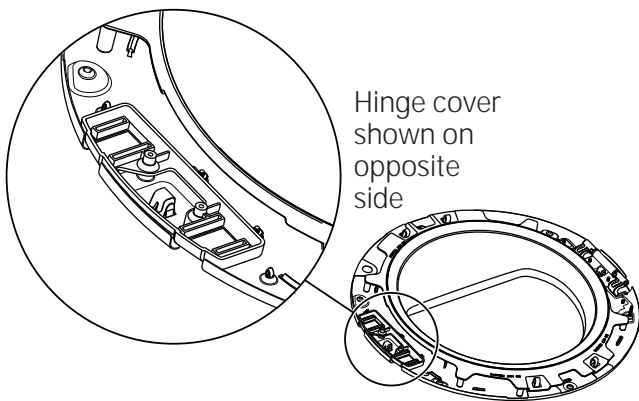
### 4 REINSTALL HINGE COVER (cont.)

- B. Hold the hinge cover in place and turn the door over. Install the hinge cover using the 2 tapping screws removed earlier.



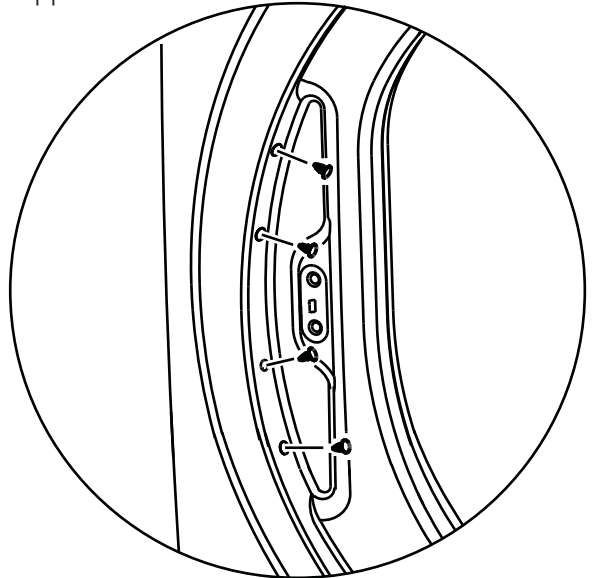
### 4 REINSTALL HINGE COVER

- A. Turn the door over and place the hinge cover in the opposite side of the door as shown. Align the hinge cover holes with the holes in the door.



### 5 MOVE STRIKE BRACKET

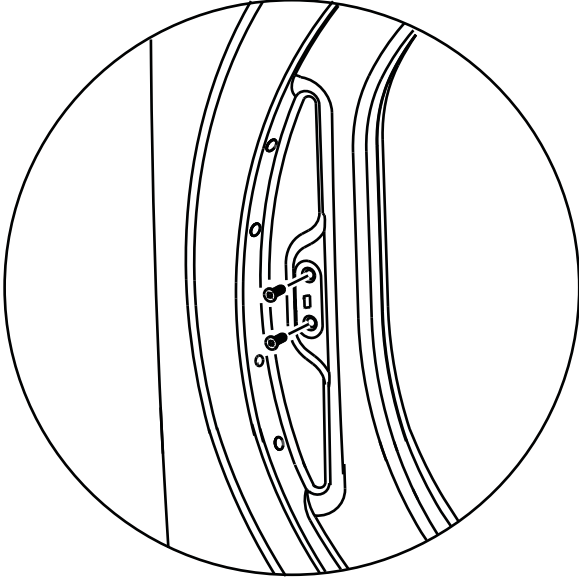
- A. Using a putty knife or any other flat tool, remove the 4 beauty buttons located on the dryer where the door will be installed and install them on the opposite side.



# Installation Instructions

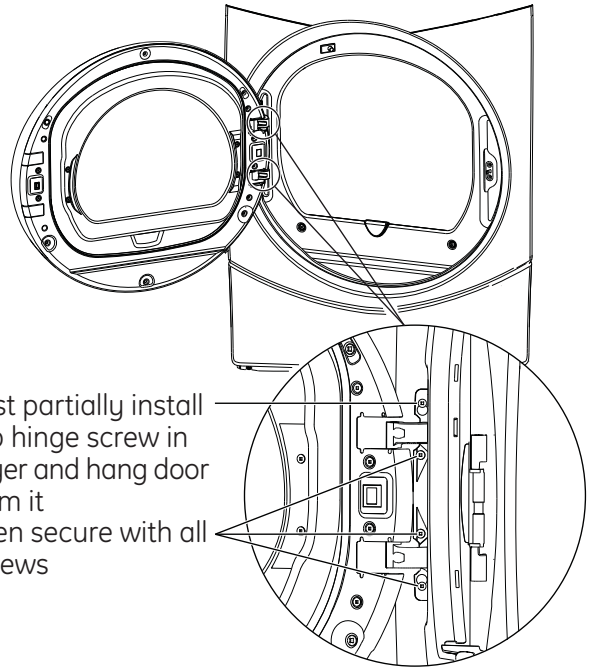
## 5 MOVE STRIKE BRACKET (cont.)

- B. Switch the strike bracket and its cover to the opposite side by removing the screws. Reinstall both on the opposite side.

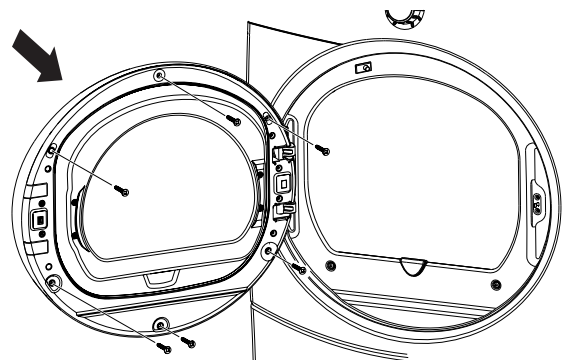


## 6 REINSTALL DOOR ASSEMBLY

- A. Install the door on the dryer. To ease this step, the hinge has keyholes that allow a partially fastened screw to be used as a hook. Partially fasten a screw to the uppermost screw hole. Hook the door on the partially fastened screw. Fasten the hinge by installing the other 4 screws and tightening the partially fastened screw above.



- B. Align the outer ring in the door and fasten the 6 tapping screws located around the perimeter of the door outlining the gasket.



# Notes

---

# Notes

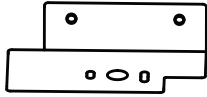
---

# Installation Instructions

## STACKING THE WASHER AND DRYER (if desired) (cont.)

### STACKING KIT GEFLSTACK CONTENTS (OPTIONAL ACCESSORY)

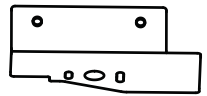
NOTE: Models GFDR480, GFDR485, GFWR4800 and GFWR4805 cannot be stacked.



☐ Left hand bracket



☐ 4 #12 x 1" screws



☐ Right hand bracket



☐ 4 #8 x 1/2" screws



☐ 4 rubber pads

### TOOLS YOU WILL NEED



☐ Phillips screwdriver



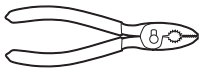
☐ Gloves



☐ Open-ended wrench



☐ Level



☐ Pliers

### INSTALLATION PREPARATION

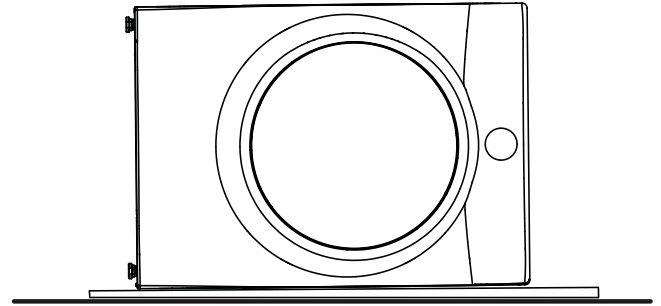
Remove the packaging.

Flatten the product carton to use as a pad to lay the dryer down on its side. Continue using the carton to protect the finished floor in front of the installation location.

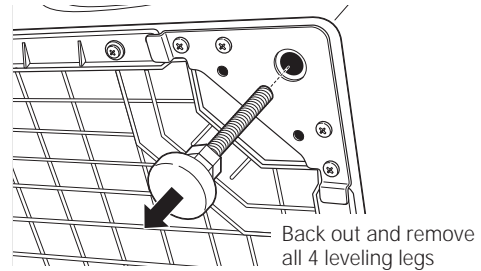
## INSTALLING THE STACK BRACKET KIT

### 1 REMOVE THE DRYER LEVELING LEGS

A. Carefully lay the dryer on its side. Use the packing material so you don't scratch the finish on the dryer.

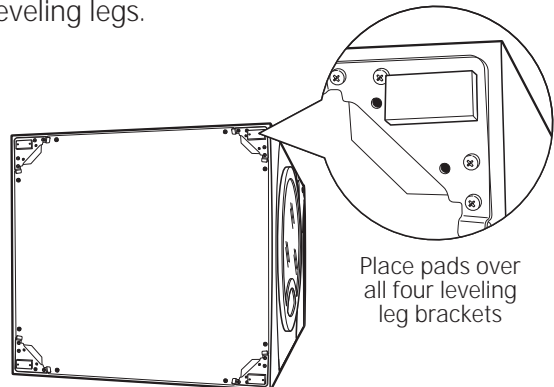


B. Use an open-end wrench or pliers to remove the dryer leveling legs.



### 2 INSTALL RUBBER PADS TO DRYER BASE

Locate the 4 rubber pads in the parts package. Remove the adhesive backing and firmly place over each bracket where you removed the leveling legs.





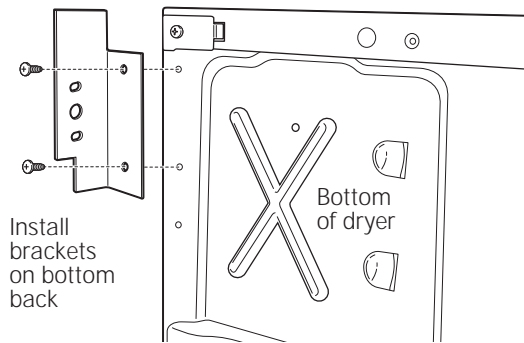
# Installation Instructions

## STACKING THE WASHER AND DRYER (if desired)

### 3 INSTALL BRACKET TO DRYER

- A. Align the holes in the left bracket with the holes in the bottom left corner of the dryer. Use a Phillips screwdriver to install the 2 #12 x 1" tapping screws.
- B. Repeat the above step with the right bracket on the bottom right corner of the dryer.
- C. Set the dryer upright.

**NOTE:** Make sure to set the dryer on a piece of packing material so the brackets that are attached to the bottom of the dryer do not damage the floor.



### 4 PREPARE WASHER AND DRYER

- A. Place the washer in the approximate location.
- B. Make sure the washer is level. Refer to washer Installation Instructions for details.
- C. Reverse dryer door swing if desired. See dryer Installation Instructions for details.
- D. Place the washer in the approximate location.

**NOTE:** The washer door swing is not reversible.

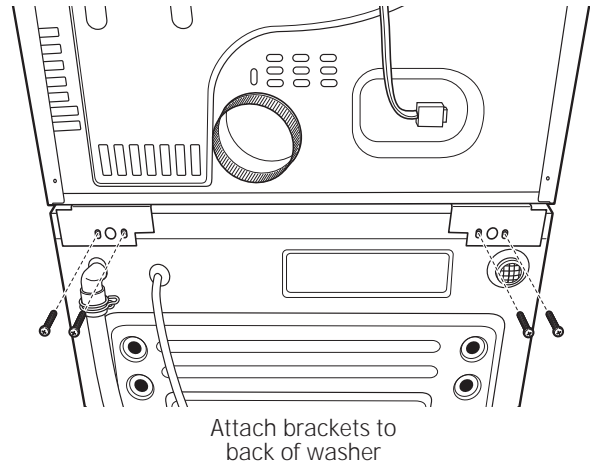
### 5 INSTALL DRYER AND BRACKET ON WASHER

- A. Lift the dryer on top of the washer. Be careful not to scratch the top of the washer with the brackets. Protect the washer control panel with cardboard or other protection. Be sure to lift the dryer high enough to clear the washer control panel.

More than two people are recommended to lift the dryer into position because of its weight and size. Failure to do so could result in personal injury or death.

### 5 INSTALL DRYER AND BRACKET ON WASHER (cont.)

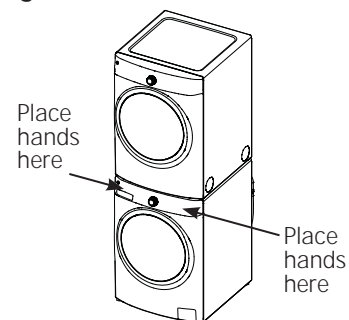
- B. Align the holes in the bracket with the holes in the back of the washer. Using a Phillips screwdriver, attach the 2 #8 x 1/2" tapping screws. Repeat on both sides of the washer.



### 6 FINALIZE THE INSTALLATION

- A. Refer to the washer Installation Instructions to complete the washer installation.
- B. Refer to the dryer Installation Instructions to complete the dryer installation.
- C. Carefully slide or walk the stacked washer and dryer into place. Use felt pads or other sliding device to assist moving and to protect flooring.

**Do not push on the dryer once installed to top of the washer. Pushing on the dryer may result in pinched fingers.**



## Before you call for service...



### Troubleshooting Tips

Save time and money! Review the charts on the following pages, or visit [GEAppliances.com](http://GEAppliances.com). You may not need to call for service.

<b>PROBLEM</b>	<b>Possible Causes</b>	<b>What To Do</b>
<i>Dryer shakes or makes noise</i>	Some shaking/noise is normal. Dryer may be sitting unevenly	<ul style="list-style-type: none"> <li>• Move dryer to an even floor space, or adjust leveling legs as necessary until even.</li> </ul>
<i>Clothes take too long to dry</i>	Improper or obstructed ducting	<ul style="list-style-type: none"> <li>• Check the Installation Instructions to make sure the dryer venting is correct.</li> <li>• Make sure ducting is clean, free of kinks and unobstructed.</li> <li>• Check to see if outside wall damper operates easily.</li> </ul>
	Improper sorting	<ul style="list-style-type: none"> <li>• Separate heavy items from lightweight items (generally, a well-sorted washer load is a well-sorted dryer load).</li> </ul>
	Large loads of heavy fabrics (like beach towels)	<ul style="list-style-type: none"> <li>• Large, heavy fabrics contain more moisture and take longer to dry. Separate large, heavy fabrics into smaller loads to speed drying time.</li> </ul>
	Controls improperly set	<ul style="list-style-type: none"> <li>• Match control settings to the load you are drying.</li> </ul>
	Lint filter is full	<ul style="list-style-type: none"> <li>• Clean lint filter before every load.</li> </ul>
	Blown fuses or tripped circuit breaker	<ul style="list-style-type: none"> <li>• Replace fuses or reset circuit breakers. Since most dryers use 2 fuses/breakers, make sure both are operating.</li> </ul>
	Overloading/combining loads	<ul style="list-style-type: none"> <li>• Do not put more than one washer load in the dryer at a time.</li> </ul>
	Underloading	<ul style="list-style-type: none"> <li>• If you are drying only one or two items, add a few items to ensure proper tumbling.</li> </ul>
<i>The Dry dryness level was chosen but load is still damp</i>	Load consists of a mixture of heavy and light fabrics	<ul style="list-style-type: none"> <li>• When combining heavy and light fabrics in a load, choose <b>More Dry</b>.</li> </ul>
	Exhaust system is blocked	<ul style="list-style-type: none"> <li>• Inspect and clean exhaust system.</li> </ul>
<i>Control buttons not responding</i>	Controls accidentally put in service mode	<ul style="list-style-type: none"> <li>• Press <b>Start/Pause</b>.</li> </ul>
	Controls accidentally put in lock mode	<ul style="list-style-type: none"> <li>• Hold the <b>Lock Control</b> button for 3 seconds to unlock the dryer.</li> </ul>
	Controls performed an incorrect operation	<ul style="list-style-type: none"> <li>• Reset the in-house breaker.</li> </ul>
<i>Dryer doesn't start</i>	Control panel is "asleep"	<ul style="list-style-type: none"> <li>• This is normal. Press <b>Power</b> to activate the control panel.</li> </ul>
	Dryer is unplugged	<ul style="list-style-type: none"> <li>• Make sure the dryer plug is pushed completely into the outlet.</li> </ul>
	Fuse is blown/circuit breaker is tripped	<ul style="list-style-type: none"> <li>• Check the building's fuse/circuit breaker box and replace fuse or reset breaker. <b>NOTE:</b> Electric dryers use two fuses or breakers.</li> </ul>
	Dryer was accidentally paused when starting Delay Dry	<ul style="list-style-type: none"> <li>• If the light on the <b>Start/Pause</b> button is flashing, the dryer is paused. Press <b>Start/Pause</b> to restart the countdown.</li> </ul>
<i>No numbers displayed during cycle, only lights</i>	Dryer is continuously monitoring the amount of moisture in the clothes	<ul style="list-style-type: none"> <li>• This is normal. When the dryer senses a low level of moisture in the load, the dryer will display the dry time remaining.</li> </ul>

## Before you call for service...

<i>PROBLEM</i>	<i>Possible Causes</i>	<i>What To Do</i>
<i>Time Remaining jumped to a lower number</i>	The estimated time may change when a smaller load than usual is drying	<ul style="list-style-type: none"> <li>This is normal.</li> </ul>
<i>Cannot make a selection and the dryer beeps twice</i>	The dryness Level, Temp or option that you are trying to select is incompatible with the chosen dry cycle	<ul style="list-style-type: none"> <li>This is normal.</li> </ul>
<i>Dryer is running but 00 is displayed in Time Remaining</i>	The Wrinkle Care option was chosen	<ul style="list-style-type: none"> <li>This is normal. During extended tumbling, the time remaining is not displayed. The extended tumbling option lasts approximately 60 minutes.</li> </ul>
<i>Clean Lint Filter (message)</i>	Power button was activated	<ul style="list-style-type: none"> <li>Press <b>Start/Pause</b> to begin a dry cycle and the message will disappear.</li> </ul>
<i>Dryer doesn't heat</i>	Fuse is blown/circuit breaker is tripped; the dryer may tumble but not heat	<ul style="list-style-type: none"> <li>Check the building's fuse/circuit breaker box and replace both fuses or reset both breakers. Your dryer may tumble if only one fuse is blown or one breaker tripped.</li> </ul>
	Gas service is off (gas models only)	<ul style="list-style-type: none"> <li>Make sure gas shutoff at dryer and main shutoff are fully open.</li> </ul>
	LP gas supply tank is empty or there has been a utility interruption of natural gas (gas models only)	<ul style="list-style-type: none"> <li>Refill or replace tank. Dryer should heat when utility service is restored.</li> </ul>
<i>Inconsistent drying times</i>	Type of heat	<ul style="list-style-type: none"> <li>Drying time will vary according to the type of heat used. If you recently changed from an electric to a gas (natural or LP) dryer, or vice versa, the drying time could be different.</li> </ul>
	Type of load and drying conditions	<ul style="list-style-type: none"> <li>The load size, types of fabric, wetness of clothes and the length and condition of the exhaust system will affect drying times.</li> </ul>
<i>Clothes are still wet and dryer shut off after a short time</i>	The door was opened mid-cycle. The load was then removed from the dryer and a new load put in without selecting a new cycle	<ul style="list-style-type: none"> <li>A dry cycle must be reselected each time a new load is put in.</li> </ul>
	Small load	<ul style="list-style-type: none"> <li>When drying 3 items or less, choose <b>Quick Dry</b> or <b>Time Dry</b>.</li> </ul>
	Load was already dry except for collars and waistbands	<ul style="list-style-type: none"> <li>Choose <b>Quick Dry</b> or <b>Time Dry</b> to dry damp collars and waistbands. In the future, when drying a load with collars and waistbands, choose <b>More Dry</b>.</li> </ul>
	Dryer is not level	<ul style="list-style-type: none"> <li>Move dryer to an even floor space or adjust leveling legs as necessary until even.</li> </ul>
<i>Clothes are wrinkled</i>	Overdrying	<ul style="list-style-type: none"> <li>Select a shorter drying time.</li> <li>Remove items while they still hold a slight amount of moisture. Select a <b>Less Dry</b> or <b>Damp</b> setting.</li> </ul>
	Letting items sit in dryer after cycle ends	<ul style="list-style-type: none"> <li>Remove items when cycle ends and fold or hang immediately, or use the <b>Wrinkle Care</b> option.</li> </ul>
	Overloading	<ul style="list-style-type: none"> <li>Separate large loads into smaller ones.</li> </ul>

## Before you call for service...

GEAppliances.com

<i>PROBLEM</i>	<i>Possible Causes</i>	<i>What To Do</i>
<i>Clothes shrink</i>	Some fabrics will naturally shrink when washed. Others can be safely washed, but will shrink in the dryer.	<ul style="list-style-type: none"> <li>To avoid shrinkage, follow garment care labels exactly.</li> <li>Some items may be pressed back into shape after drying.</li> <li>If you are concerned about shrinkage in a particular item, do not machine wash or tumble dry it.</li> </ul>
<i>Greasy spots on clothes</i>	Improper use of fabric softener	<ul style="list-style-type: none"> <li>Follow directions on fabric softener package.</li> </ul>
	Drying dirty items with clean ones	<ul style="list-style-type: none"> <li>Use your dryer to dry only clean items. Dirty items can stain clean items and the dryer.</li> </ul>
	Clothes were not completely clean	<ul style="list-style-type: none"> <li>Sometimes stains which cannot be seen when the clothes are wet appear after drying. Use proper washing procedures before drying.</li> </ul>
<i>Lint on clothes</i>	Lint filter is full	<ul style="list-style-type: none"> <li>Clean lint screen before each load.</li> </ul>
	Improper sorting	<ul style="list-style-type: none"> <li>Sort lint producers (like chenille) from lint collectors (like corduroy).</li> </ul>
	Static electricity can attract lint	<ul style="list-style-type: none"> <li>See suggestions in this section under <i>Static occurs</i>.</li> </ul>
	Overloading	<ul style="list-style-type: none"> <li>Separate large loads into smaller ones.</li> </ul>
	Paper, tissue, etc., left in pockets	<ul style="list-style-type: none"> <li>Empty all pockets before laundering clothes.</li> </ul>
<i>Static occurs</i>	No fabric softener was used	<ul style="list-style-type: none"> <li>Try a fabric softener.</li> <li>Bounce® Fabric Conditioner Dryer Sheets have been approved for use in all GE Dryers when used in accordance with the manufacturer's instructions.</li> </ul>
	Overdrying	<ul style="list-style-type: none"> <li>Try a fabric softener.</li> <li>Adjust setting to <i>Less Dry</i> or <i>Damp</i>.</li> </ul>
	Synthetics, permanent press and blends can cause static	<ul style="list-style-type: none"> <li>Try a fabric softener.</li> </ul>
<i>Collars and waistbands still wet at end of cycle</i>	The dryness monitor senses that the body of the clothes is dry	<ul style="list-style-type: none"> <li>Choose <i>Quick Dry</i> or <i>Time Dry</i> to dry damp collars and waistbands. In the future, when drying a load with collars and waistbands, choose <i>More Dry</i>.</li> </ul>
<i>Slight variation in metallic color</i>	This is normal	<ul style="list-style-type: none"> <li>Due to the metallic properties of paint used for this unique product, slight variations of color may occur due to viewing angles and lighting conditions.</li> </ul>
<i>Door is too foggy to see clothes during a steam cycle</i>	Steam condenses on inner door	<ul style="list-style-type: none"> <li>This is normal.</li> </ul>
<i>Water seen on inside of door and top of lint filter when opening door after steam cycle</i>	Steam condenses on these surfaces	<ul style="list-style-type: none"> <li>This is normal.</li> </ul>
<i>Small areas on clothes are damp after steam cycle</i>	Steam condenses on inner drum	<ul style="list-style-type: none"> <li>If using the <i>Steam Dewrinkle</i> cycle, manually reduce the cycle time. If using the <i>Steam Refresh</i> cycle, add more garments to the load.</li> </ul>

## Before you call for service...

<i>PROBLEM</i>	<i>Possible Causes</i>	<i>What To Do</i>
<i>Small amount of water on floor in front of dryer</i>	Inadequate load size for steam cycle selected, excess steam condenses inside cabinet and leaks out	<ul style="list-style-type: none"> <li>• If using the <i>Steam Dewrinkle</i> cycle, manually reduce the cycle time. If using the <i>Steam Refresh</i> cycle, add more garments to the load.</li> </ul>
<i>Water on floor in back of dryer</i>	Loose water hose connection to valve	<ul style="list-style-type: none"> <li>• Tighten connection.</li> </ul>
	Hose missing rubber washer at connection with valve	<ul style="list-style-type: none"> <li>• Install rubber washer provided with hose.</li> </ul>
<i>Dryer makes water noises</i>	Water valve is open filling steam generator	<ul style="list-style-type: none"> <li>• This is normal.</li> </ul>
	Steam generator is dispensing steam into drum	<ul style="list-style-type: none"> <li>• This is normal.</li> </ul>
<i>Water drips from door when opened after a Steam Cycle</i>	Steam condenses on inner door	<ul style="list-style-type: none"> <li>• This is normal.</li> </ul>
<i>Cannot see steam at beginning of cycle</i>	Steam released at different times in the cycle	<ul style="list-style-type: none"> <li>• This is normal.</li> </ul>
<i>Cannot see steam at any time during cycle</i>	The steam nozzle might be clogged with debris from your water supply	<ul style="list-style-type: none"> <li>• Call <b>800.GE.CARES</b> to order nozzle replacement kit <b>WE25M71</b> or to request a technician to replace this for you.</li> </ul>
<i>Garments still wrinkled after steam cycle</i>	Too many garments	<ul style="list-style-type: none"> <li>• Load fewer garments; manually increase time.</li> </ul>
<i>Dryer continues to tumble after display says Complete</i>	Wrinkle Care was selected	<ul style="list-style-type: none"> <li>• Ensure <i>Wrinkle Care</i> option is not selected. For the <i>Steam Refresh</i> cycle, <i>Wrinkle Care</i> will automatically be turned on and cannot be turned off.</li> </ul>

# GE Dryer Warranty.



All warranty service provided by our Factory Service Centers, or an authorized Customer Care® technician. To schedule service, on-line, visit us at [GEAppliances.com](http://GEAppliances.com), or call 800.GE.CARES (800.432.2737). In Canada, call 800.561.3344.

Please have serial number and model number available when calling for service.

Staple your receipt here. Proof of the original purchase date is needed to obtain service under the warranty.

## For The Period Of: We Will Replace:

### One Year

From the date of the original purchase

**Any part** of the dryer which fails due to a defect in materials or workmanship. During this **limited one-year warranty**, GE will also provide, **free of charge**, all labor and related service costs to replace the defective part.

## What Is Not Covered

- Service trips to your home to teach you how to use the product.
- Improper installation, delivery or maintenance.
- Failure of the product if it is abused, misused or used for other than the intended purpose or used commercially.
- Replacement of the light bulb after its expected useful life.
- Replacement of house fuses or resetting of circuit breakers.
- Damage to the product caused by accident, fire, floods or acts of God.
- Incidental or consequential damage caused by possible defects with this appliance.
- Damage caused after delivery.
- Product not accessible to provide required service.
- Defects or damage due to operation in freezing temperatures.
- Products which are not defective or broken, or which are working as described in the Owner's Manual.

**EXCLUSION OF IMPLIED WARRANTIES—Your sole and exclusive remedy is product repair as provided in this Limited Warranty. Any implied warranties, including the implied warranties of merchantability or fitness for a particular purpose, are limited to one year or the shortest period allowed by law.**

This warranty is extended to the original purchaser and any succeeding owner for products purchased for home use within the USA. If the product is located in an area where service by a GE Authorized Servicer is not available, you may be responsible for a trip charge or you may be required to bring the product to an Authorized GE Service location for service. In Alaska, the warranty excludes the cost of shipping or service calls to your home.

Some states do not allow the exclusion or limitation of incidental or consequential damages. This warranty gives you specific legal rights, and you may also have other rights which vary from state to state. To know what your legal rights are, consult your local or state consumer affairs office or your state's Attorney General.

In Canada, this warranty is extended to the original purchaser and any succeeding owner for products purchased in Canada for home use within Canada. In-home warranty service will be provided in areas where it is available and deemed reasonable by MC Commercial to provide.

**Warrantor: General Electric Company, Louisville, KY 40225**

**In Canada**

**Warrantor: MC Commercial, Burlington, ON L7R 5B6**

## Consumer Support.

---



### GE Appliances Website

**GEAppliances.com**

Have a question or need assistance with your appliance? Try the GE Appliances Website, any day of the year! For greater convenience and faster service, you can now download Owner's Manuals, order parts or even schedule service on-line. In Canada, visit [www.geappliances.ca](http://www.geappliances.ca)



### Schedule Service

**GEAppliances.com**

Expert GE repair service is only one step away from your door. Get on-line and schedule your service at your convenience any day of the year! Or call 800.GE.CARES (800.432.2737) during normal business hours. In Canada, call 800.561.3344 during normal business hours.



### Real Life Design Studio

**GEAppliances.com**

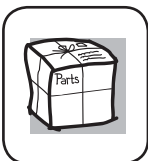
GE supports the Universal Design concept—products, services and environments that can be used by people of all ages, sizes and capabilities. We recognize the need to design for a wide range of physical and mental abilities and impairments. For details of GE's Universal Design applications, including kitchen design ideas for people with disabilities, check out our Website today. For the hearing impaired, please call 800.TDD.GEAC (800.833.4322). In Canada, call 800.561.3344



### Extended Warranties

**GEAppliances.com**

Purchase a GE extended warranty and learn about special discounts that are available while your warranty is still in effect. You can purchase it on-line anytime, or call 800.626.2224 during normal business hours. GE Consumer Home Services will still be there after your warranty expires. In Canada, consult your local listings for extended warranty providers.



### Parts and Accessories

**GEAppliances.com**

Individuals qualified to service their own appliances can have parts or accessories sent directly to their homes (VISA, MasterCard and Discover cards are accepted). Order on-line today, 24 hours every day or by phone at 800.626.2002 during normal business hours. In Canada, consult your local listings for your nearest authorized GE service parts dealer or call 800.661.1616

**Instructions contained in this manual cover procedures to be performed by any user. Other servicing generally should be referred to qualified service personnel. Caution must be exercised, since improper servicing may cause unsafe operation.**



### Contact Us

**GEAppliances.com**

If you are not satisfied with the service you receive from GE, contact us on our Website with all the details including your phone number, or write to:

General Manager, Customer Relations  
GE Appliances, Appliance Park  
Louisville, KY 40225

In Canada, write to;  
Director, Consumer Relations,  
MC Commercial  
1 Factory Lane, Suite 310  
Moncton, N.B. E1C 9M3



### Register Your Appliance

**GEAppliances.com**

**Register your new appliance on-line—at your convenience!** Timely product registration will allow for enhanced communication and prompt service under the terms of your warranty, should the need arise. You may also mail in the pre-printed registration card included in the packing material. In Canada, visit [www.geappliances.ca](http://www.geappliances.ca)

**Mesures de sécurité** ..... 26–28

### **Fonctionnement**

Panneau de contrôle.....28–32

Démarrage rapide .....29

Utilisation de la sècheuse .....32

Caractéristiques.....32

**Entretien et nettoyage**..... 33

### **Installation**

Inversion de l'ouverture  
de la porte .....34–37

Superposer la sècheuse  
à la laveuse .....40–42

**Conseils de dépannage**....43–46

### **Soutien au consommateur**

Garantie ..... 47

Soutien au consommateur ..... 48



**Inscrivez ici les numéros  
de modèle et de série :**

**Modèle N°** \_\_\_\_\_

**Série N°** \_\_\_\_\_

Ces informations figurent  
sur l'étiquette située à l'avant  
de la sècheuse, derrière la porte.





# CONSIGNES DE SÉCURITÉ IMPORTANTES.

## LISEZ TOUTES LES INSTRUCTIONS AVANT D'UTILISER VOTRE APPAREIL.


 Ceci est un symbole d'alerte de sécurité. Ce symbole prévient d'un risque mortel ou de blessures encouru par vous et d'autres personnes. Tous les messages de sécurité s'inscrivent à la suite du symbole d'alerte et du mot « DANGER », « AVERTISSEMENT » ou « MISE EN GARDE ». Ces mots sont associés aux définitions suivantes :

 **DANGER** Indique une situation dangereuse qui, si elle n'est pas évitée, causera des blessures sévères, voire la mort.

 **AVERTISSEMENT** Indique une situation dangereuse qui, si elle n'est pas évitée, peut causer des blessures sévères, voire la mort.

 **MISE EN GARDE** Indique une situation dangereuse qui, si elle n'est pas évitée, peut causer des blessures mineures ou modérément graves.

## INSTRUCTIONS DE SÉCURITÉ IMPORTANTES

 **AVERTISSEMENT** Pour réduire le risque d'incendie, d'explosion, de choc électrique ou de blessure aux personnes utilisant cet appareil, observez des précautions élémentaires dont les suivantes :

- Lisez toutes les instructions avant d'utiliser l'appareil.
- NE séchez PAS les articles qui ont été précédemment nettoyés, lavés, trempés ou détachés à l'aide d'essence, de solvants de nettoyage à sec ou d'autres substances inflammables ou explosives, puisqu'ils peuvent émettre des vapeurs susceptibles de s'enflammer ou d'exploser.
- N'autorisez PAS les enfants à jouer sur ou dans cet appareil. Une surveillance étroite est requise lorsque des enfants se trouvent à proximité de l'appareil en fonctionnement. Enlevez la porte de la sècheuse lorsque l'appareil est mis hors service ou au rebut.
- NE vous penchez PAS dans l'appareil lorsque le tambour est en rotation.
- N'installez PAS et ne rangez PAS cet appareil à un endroit exposé aux intempéries.
- NE modifiez PAS les commandes. réparez cet appareil, en totalité ou en partie, en remplacez une quelconque pièce, à moins que cela ne soit expressément recommandé dans les instructions d'entretien ou de réparation destinées à l'utilisateur dont vous avez une compréhension et une compétence suffisantes pour les appliquer.
- N'employez PAS de produits assouplissants NI d'agents antistatiques à moins que leur utilisation ne soit recommandée par leurs fabricants.
- N'utilisez PAS de chaleur pour sécher des articles qui contiennent du caoutchouc mousse ou des matières à texture caoutchouteuse similaire.
- Nettoyez la charpie avant et après chaque brassée. N'utilisez PAS la sècheuse sans que le filtre à charpie ne soit en place.
- Ne rangez pas de matières combustibles, de l'essence ni d'autres liquides inflammables à proximité de la sècheuse. Gardez la zone autour de l'ouverture d'évacuation et tout l'espace adjacent libres de charpie, de poussière et de saletés. Garder la zone de la sècheuse libre et dégagée de tout article pouvant nuire au débit de combustion et à la circulation d'air.
- L'intérieur de l'appareil et le tuyau d'évacuation doivent être nettoyés régulièrement par du personnel qualifié.
- NE placez PAS d'articles exposés aux huiles de cuisson dans la sècheuse. Les articles souillés par les huiles de cuisson peuvent faciliter des réactions chimiques susceptibles d'enflammer une brassée.
- Gardez la zone autour de l'appareil propre et sèche afin de réduire le risque de glissement.
- Débranchez l'appareil ou fermez le disjoncteur avant une réparation. Le fait d'appuyer sur le bouton Power (Alimentation) ou sur le bouton **Start/Pause** (Mise en marche/pause) NE coupe PAS l'alimentation électrique.
- NE faites PAS fonctionner cet appareil s'il est endommagé, ne fonctionne pas correctement, est en partie démonté, ou encore si des pièces sont manquantes ou abîmées, y compris le cordon électrique ou sa fiche.
- NE vaporisez AUCUN type d'aérosol dans, sur ou à proximité de la sècheuse, et ce en tout temps. N'utilisez AUCUN type de nettoyant en vaporisateur lorsque vous nettoyez l'intérieur de la sècheuse. Cela poserait un risque de vapeurs dangereuses ou de choc électrique.
- Consultez la section « Renseignements sur les raccords électriques » des instructions d'installation pour connaître la procédure de mise à la terre.

## CONSERVEZ CES INSTRUCTIONS

## AVERTISSEMENTS SUPPLÉMENTAIRES CONCERNANT LES SÈCHEUSES À GAZ

### **AVERTISSEMENT**

Pour votre sécurité, les instructions de ce manuel doivent être observées afin de minimiser le risque d'incendie ou d'explosion et de prévenir le risque de dommage, de blessure ou de décès.

- N'entreposez PAS et n'utilisez PAS d'essence NI d'autres vapeurs ou liquides inflammables dans les alentours de cet appareil ou de tout autre.
- QUE FAIRE SI UNE ODEUR DE GAZ EST DÉTECTÉE :
  - N'allumez AUCUN appareil.
  - NE touchez à AUCUN commutateur électrique ; n'utilisez AUCUN téléphone dans votre immeuble.
  - Faites évacuer la pièce, l'immeuble ou la zone de tous ses occupants.
  - Communiquez immédiatement avec votre fournisseur de gaz au moyen du téléphone d'un voisin. Observez les directives du fournisseur de gaz.
  - Si vous ne pouvez pas joindre votre fournisseur de gaz, appelez le service d'incendie.
- L'installation, l'entretien et les réparations doivent être exécutés par un installateur agréé, un organisme de service ou le fournisseur de gaz.

### *Avertissements de la Proposition 65 de l'État de la Californie*

La loi de la Californie relative à l'eau de consommation et aux substances toxiques (California Safe Drinking Water and Toxic Enforcement Act) exige que le gouverneur de la Californie publie une liste des substances reconnues par l'État pour causer le cancer, des anomalies congénitales ou d'autres problèmes liés à la reproduction, et aussi que les entreprises mettent en garde contre des expositions à de telles substances.

### **AVERTISSEMENT**

Ce produit contient une ou plusieurs substances chimiques reconnues par l'État de Californie pour causer le cancer, des anomalies congénitales ou d'autres problèmes liés à la reproduction.

Les appareils à gaz peuvent entraîner des expositions de faible intensité à certaines de ces substances, y compris au benzène, au monoxyde de carbone, au formaldéhyde et à la suie, en raison principalement d'une combustion incomplète du gaz naturel ou liquéfié. L'exposition à ces substances peut être réduite au minimum par la ventilation adéquate de la sècheuse vers l'extérieur.

**CONSERVEZ CES INSTRUCTIONS**

## À propos du panneau de contrôle de la sècheuse.

### ⚠ AVERTISSEMENT!

Pour réduire le risque d'incendie, de choc électrique ou de blessure, lisez les **IMPORTANTES CONSIGNES DE SÉCURITÉ** avant de faire fonctionner cet appareil.

### ⚠ AVERTISSEMENT



#### Risque d'explosion

Gardez les matières et les vapeurs inflammables telles que l'essence à distance de la sècheuse.

NE séchez AUCUN article qui a déjà reçu une matière inflammable (même après le lavage).

Le non-respect de ces instructions pourrait entraîner la mort, l'explosion ou l'incendie.

### ⚠ AVERTISSEMENT



#### Risque d'incendie

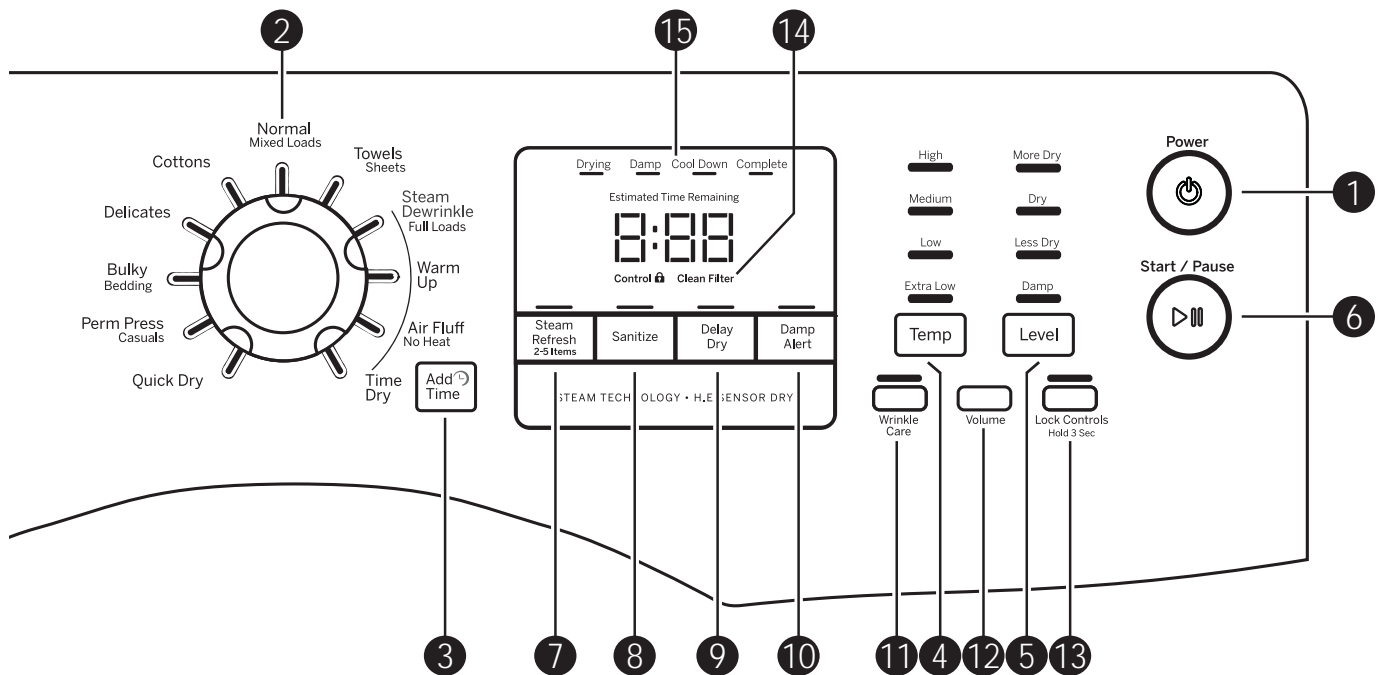
Aucune laveuse ne peut éliminer l'huile totalement.

NE séchez AUCUN article qui a déjà reçu un type d'huile quelconque (y compris les huiles de cuisson).

Les articles qui comportent de la mousse, du caoutchouc ou du plastique doivent sécher sur une corde à linge ou au moyen du cycle Sécher à l'air.

Le non-respect de ces instructions pourrait entraîner un décès ou un incendie.

Dans ce manuel, les commandes et l'aspect des éléments peuvent différer de votre modèle.



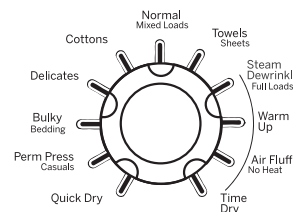
## Démarrage rapide

- 1 Appuyez sur le bouton **Power** (Alimentation).



Si l'écran est obscur, appuyez sur le bouton **Power** (Alimentation) pour activer l'afficheur.

- 2 Sélectionnez le cycle de séchage. (Des réglages par défaut sont établis pour chaque lavage. Ces réglages peuvent être modifiés. Consultez la section **Réglages des contrôles** pour de plus amples informations).



- 3 Appuyez sur le bouton **Start/Pause** (Marche/pause).



## 1 Power (Alimentation)

Appuyez sur cette touche pour « allumer » l'écran. Si l'écran est actif, appuyez pour éteindre la sècheuse.

**REMARQUE:** Le fait d'appuyer sur **Power** (Alimentation) ne coupe pas l'alimentation électrique à l'appareil.


## 2 Cycles de séchage

Le cycle de séchage contrôle la durée du processus de séchage. Le tableau ci-dessous vous aidera à trouver le bon réglage de séchage en fonction de votre brassée.


<b>Normal/Mixed Loads</b> (Charge normale/mixte)	Pour les brassées constituées de cotons et de mélanges de polyester.
<b>Cottons (Cotons)</b>	Pour les cotons et la plupart des articles en toile.
<b>Delicates (Déliçats)</b>	Pour la lingerie et les tissus déliçats.
<b>Bulky/Bedding</b> (Lingerie volumineuse)	Pour manteaux grand format, jetés de lit, housses à matelas, sacs de couchage, couvertures, douillettes, blousons, carpettes et autres articles volumineux.
<b>Perm Press/Casuals</b> (Perma Press/Tout-aller)	Pour les vêtements de sports, d'exercice et certains vêtements décontractés. Les tissus bénéficient de finitions en nouvelle technologie et sont composés de fibres élastiques comme le Spandex. Aussi pour vêtements étiquetés Sans repassage (Easy Care) ou Infroissable (Perma Press) : Pour les articles qui ne nécessitent pas de repassage.
<b>Quick Dry</b> (Séchage rapide)	Pour les petites brassées qui doivent être séchées rapidement, comme les tenues de sport ou les uniformes d'école. Ce cycle peut aussi être utilisé si le cycle précédent a laissé quelques articles encore humides, comme des cols ou des ceintures.
<b>Towels/Sheets</b> (Serviettes/draps)	Pour serviettes <b>OU</b> draps. Il n'est <b>pas</b> recommandé de mélanger serviettes <b>et</b> draps dans la même brassée.
<b>Steam Dewrinkle/</b> <b>Full Loads</b> (Défroissage à vapeur/ Pleines charges)	Fournit 20 minutes de séchage à vapeur pour aider à défroisser les vêtements. Idéal pour des brassées de vêtements qui ont été laissées dans la sècheuse pendant une longue période de temps.
<b>Warm Up</b> (Réchauffage)	Fournit 10 minutes de réchauffage des vêtements.
<b>Air Fluff/No Heat</b> (Air froid/Sans chaleur)	Fournit 10 minutes de temps de culbutage sans chaleur.
<b>Time Dry</b> (Séchage minuté)	Cette commande permet de définir son propre temps de séchage. La fonction <b>Time Dry</b> (Séchage minuté) est aussi recommandée pour les petites brassées. Pour utiliser : 1. Tournez le cadran du cycle de séchage sur <b>Time Dry</b> . 2. Augmentez le temps de séchage en appuyant sur le bouton <b>Add Time</b> (Prolongation). <b>Remarque :</b> Ce bouton ne fait qu'ajouter du temps. Une fois la durée maximale atteinte, une nouvelle pression sur le bouton remettra la minuterie à la valeur la moins élevée. 3. Sélectionnez la température de séchage ( <b>Temp</b> ). 4. Fermez la porte. 5. Appuyez sur <b>Start/Pause</b> (Mise en marche/pause).

# Réglage des contrôles.

**3**  **Add Time (Prolongation)**  
Appuyez sur ce bouton pour prolonger la durée des cycles **Steam Dewrinkle** (Vapeur défroissage), **Warm Up** (Préchauffage), **Air Fluff** (Air froid) ou **Time Dry** (Séchage minuté) par incréments de 10 minutes.


**4**  **Temp (Température)**  
Vous pouvez modifier la température de votre cycle de séchage.


<b>High (Haute)</b>	Pour les cotons normaux à lourds.
<b>Medium (Moyenne)</b>	Pour les synthétiques, les mélanges et les articles étiquetés sans repassage.
<b>Low (Basse)</b>	Pour les tissus délicats, synthétiques et les articles étiquetés Tumble Dry Low (séchage par culbutage à basse température).
<b>Extra Low (Extra basse)</b>	Pour la lingerie et les tissus délicats.

**5**  **Level (Niveau)**  
Le détecteur surveille en permanence le niveau d'humidité dans le linge. Quand l'humidité dans vos vêtements atteint le niveau de séchage que vous avez choisi, la sècheuse s'arrête.

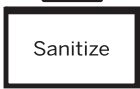
**REMARQUE :** La détection du niveau d'humidité fonctionne seulement pour les cycles **Cottons** (Coton), **Normal** (Charge normale), **Active Wear** (Vêtements de sport), **Delicates** (Déliçats), **Quick Dry** (Séchage rapide), **Bulky** (Lingerie volumineuse), **Towels/Sheets** (Serviettes/draps), **Sanitize** (Sanitize) et **Steam Dewrinkle** (Vapeur défroissage).

<b>More Dry (Plus sec)</b>	Utilisé pour les types de tissus lourds ou mélangés.
<b>Dry (Sec)</b>	Utilisé pour un niveau de séchage normal adapté à la plupart des brassées. C'est le cycle recommandé pour un fonctionnement en économie d'énergie.
<b>Less Dry (Moins sec)</b>	Utilisé pour les tissus plus légers (idéal pour le repassage).
<b>Damp (Humide)</b>	Pour laisser les articles partiellement humides.

**6**  **Start/Pause (Marche/Pause)**  
Appuyez sur cette touche pour lancer un cycle de séchage. Si la sècheuse est déjà en fonctionnement, le fait d'appuyer sur cette touche interrompt le cycle en cours. Appuyez encore sur la touche pour reprendre le cycle de séchage.

**7**  **Steam Refresh Cycle (Vapeur rafraîchissante)**  
Pour des vêtements secs légèrement froissés. Réduit de façon significative les plis sur 5 vêtements. Après le cycle **Steam Refresh** (Vapeur rafraîchissante), l'unité émettra un bip et affichera 0 :00. Si l'unité n'est pas fermée ou si la porte n'est pas ouverte, la sècheuse continuera le culbutage pendant 30 minutes. À la fin des 30 minutes, il sera affiché 0 :00 et cycle terminé.

**REMARQUE:** Un seul article de tissu extrêmement léger peut nécessiter d'ajouter un article supplémentaire pour atteindre des résultats optimaux.

**8**  **Sanitize (Aseptisation)**  
Réduit certains types de bactéries de 99.8 %, notamment : Staphylococcus aureus, Pseudomonas aeruginosa et Klebsiella pneumoniae. Le traitement antibactérien survient lorsqu'une chaleur élevée est appliquée durant une partie du cycle de séchage.

**NOTE:** Ne pas utiliser ce cycle avec des vêtements délicats.\* Le cycle **Aseptisation** est certifié par NSF International selon le protocole NSF P154 sur la performance d'aseptisation des sècheuses résidentielles.

Protocole NSF P154  
Performance d'aseptisation  
des sècheuses résidentielles.

9



### Delay Dry (Séchage en différé)

Utilisez pour retarder le démarrage de votre sècheuse.

1. Sélectionnez votre cycle de séchage et toutes les options.
2. Appuyez sur **Delay Dry** (Séchage en différé). Vous pouvez changer le délai d'attente par intervalles de 1 heure en utilisant le bouton **Delay Dry** (Séchage en différé).

3. Appuyez sur le bouton **Start/Pause** (Mise en Marche/Pause) pour lancer le compte à rebours.

**REMARQUES:** Si la porte est ouverte alors que la sècheuse est en mode **Delay Dry** (Séchage en différé), le compte à rebours ne redémarrera pas sauf si la porte est fermée et que le bouton **Delay Dry** (Séchage en différé) est à nouveau enfoncée.

10



### Damp Alert (Alerte d'humidité)

Cette option fait sonner la sècheuse quand les vêtements ont été séchés jusqu'à un certain niveau d'humidité. Retirez les articles que vous souhaitez étendre pour sécher. **Damp Alert** (L'Alerte d'humidité) émet un bip lorsque cette option est sélectionnée, et la sècheuse continuera à sécher.

Le fait de retirer les vêtements et les étendre quand ils sont humides peut diminuer le besoin de repasser certains articles.

11



### Ext Tumble/Wrinkle Care (Soins +)

Réduit les faux plis au maximum en ajoutant environ 60 minutes de culbutage sans chaleur une fois que les vêtements sont secs. L'avertisseur se fera entendre toutes les cinq minutes pour rappeler de retirer les vêtements ou autres textiles.

L'affichage du temps restant estimé indiquera « 0:00 ».

La prolongation du temps de culbutage ne s'ajoute pas à la durée de cycle affichée.

12



### Volume

Signale la fin d'un cycle. L'avertisseur se fera entendre à toutes les minutes pour les prochaines 5 minutes, jusqu'à ce que les vêtements soient retirés. Il est préférable de retirer les vêtements suite à l'alerte pour éviter la formation de plis.

Appuyez sur **Volume** (Volume) pour régler l'intensité (low/medium/high - bas/moyen/élevé), ou pour éteindre l'avertisseur.

Afin d'allumer ou d'éteindre le son des boutons lorsqu'appuyés, appuyez et maintenez le bouton **Volume** pendant 3 secondes.

13



### Lock Control (Verrouillage de contrôle)

Vous pouvez verrouiller les contrôles pour empêcher tout choix de cycle, ou vous pouvez verrouiller les contrôles après avoir commencé un cycle.

Les enfants ne peuvent pas mettre accidentellement en marche la sècheuse en appuyant sur des touches quand vous choisissez cette option.

Pour verrouiller les contrôles de la sècheuse, appuyez sur le bouton **Lock Control** (Verrouillage de contrôle) et tenez-la appuyée pendant 3 secondes.

Pour déverrouiller les contrôles de la sècheuse, appuyez sur le bouton **Lock Control** (Verrouillage de contrôle) et tenez-la appuyée pendant 3 secondes.

Un son retentit pour indiquer l'état verrouillé/déverrouillé.

Le témoin au-dessus du bouton s'allumera une fois les commandes verrouillées.

**NOTE :** Vous pouvez encore utiliser le bouton **Power** (Alimentation) quand la machine est verrouillée.

14

Clean Filter

### Message de filtre à nettoyer

Ce message se veut seulement un rappel et il n'apparaît **pas** toujours lorsque le filtre nécessite un nettoyage. Le filtre devrait être nettoyé après chaque cycle de séchage.

Une pression sur le bouton **Start/ Pause** (Mise en marche/pause) fera disparaître le message. Même si le filtre a déjà été nettoyé (avant ou après avoir appuyé sur le bouton **Power** (Alimentation)), le message « **Clean Filter** » (Nettoyer le filtre) ne disparaîtra que sur pression du bouton **Start/ Pause** (Mise en marche/pause).

15



### Écran

Affiche le temps restant approximatif jusqu'à la fin du cycle.

Au début du cycle, vous verrez la durée totale approximative du cycle sur l'afficheur.

Puis les témoins vont se mettre à « courser » sur l'afficheur. Cela indique que la sècheuse surveille constamment le niveau d'humidité de la brassée. Les témoins continueront de s'activer jusqu'à ce que la sècheuse détecte un bas niveau d'humidité dans la brassée. À ce stade, la sècheuse calculera et affichera le temps restant approximatif.

# Utilisation de la sècheuse.















Suivez toujours l'étiquette du fabricant de tissus pour laver.



## Étiquettes d'entretien de tissu

Ci-dessous figurent les « symboles » des étiquettes d'entretien de tissu qui concernent le linge à sécher.

### SÉCHAGE

<b>Séchage par culbutage</b>	 Séchage	 Normal	 Tissus à pressage permanent/ infroissables	 Doux/tissus-déli-cats	 Ne pas sécher par culbutage	 Ne pas sécher (utilisé avec « Ne pas laver »)
<b>Réglage de température</b>	 Max.	 Moyen	 Min.	 Pas de chaleur/d'air		
<b>Instructions spéciales</b>	 Sécher sur corde/ suspendre pour sécher	 Sécher par égouttage	 Sécher à plat	 A l'ombre		



## Conseils pour le tri et le chargement

En règle générale, lorsque les vêtements sont correctement triés pour le lavage, ils le sont aussi pour le séchage. Essayez aussi de trier les articles en fonction de leur taille. Par exemple, ne séchez pas un drap avec des chaussettes ou d'autres petits articles.

N'ajoutez pas votre feuille d'assouplissant textile lorsque la brassée a commencé à chauffer, car elle risque de provoquer des taches d'assouplissant. Les feuilles d'assouplissant de tissus Bounce<sup>MD</sup> pour sècheuses ont été approuvées pour cette sècheuse si elles sont utilisées conformément aux instructions du fabricant.

**Ne surchargez pas.** Ceci consomme inutilement de l'énergie et cause des faux plis.

**Extérieur de la sècheuse :** Essuyez ou époussetez tout déversement ou produit de lavage avec un chiffon humide. Le panneau de commande de la sècheuse peut être endommagé par certains détergents et produits détachants. Appliquez ces produits loin de la sècheuse. Le tissu peut ensuite être lavé et séché normalement. Les dommages causés par ces produits ne sont pas couverts par la garantie de votre sècheuse.

**Filtre à charpie :** Nettoyez le filtre à charpie avant chaque utilisation.

Tirez le filtre à charpie. Mouillez vos doigts et retirez la charpie. Une fois qu'il a été nettoyé, glissez le filtre dans sa position. Demandez à un technicien qualifié d'aspirer la charpie de la sècheuse une fois par année.

**N'UTILISEZ JAMAIS LA SÈCHEUSE SANS FILTRE.**

**Acier inoxydable :** Pour nettoyer les surfaces en acier inoxydable, utilisez un chiffon humide et un détergent doux non abrasif convenant aux surfaces en acier inoxydable. Retirez les résidus de produit nettoyant, puis séchez-les avec un chiffon propre.

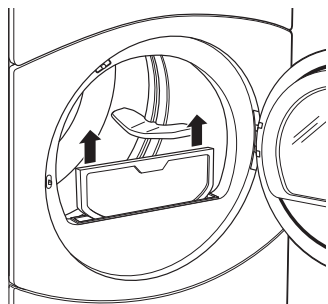
L'acier inoxydable utilisé pour la fabrication du tambour de la sècheuse vous offre la meilleure fiabilité possible dans une sècheuse GE. Si le tambour de la sècheuse venait à être marqué ou rayé en cours d'usage normal, il ne rouillerait pas. Ces dommages superficiels n'affecteront pas sa durabilité ni son fonctionnement.

**Intérieur et conduit de la sècheuse**

: L'intérieur de l'appareil et le conduit d'évacuation doivent être généralement confiés à un technicien qualifié.

**Conduit d'évacuation :** Inspectez et nettoyez le conduit d'évacuation au moins une fois par année afin d'éviter qu'il se bouche. La durée de séchage peut être augmentée lorsque l'évacuation est bouchée.

**Hotte d'évacuation :** Vérifiez avec un miroir que les battants intérieurs se déplacent sans difficulté au cours de l'utilisation. Vérifiez qu'il n'y a pas d'animaux ou d'insectes qui ont fait leur nid dans le conduit ou la hotte.

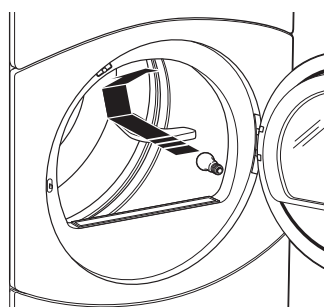


## Éclairage du tambour

L'éclairage du tambour s'allume automatiquement lorsque la porte est ouverte.

Avant de remplacer l'ampoule, assurez-vous de débrancher le cordon d'alimentation de la sècheuse ou de déconnecter la sècheuse du tableau de distribution de votre domicile (fusible ou disjoncteur). Penchez-vous au-dessus de l'ouverture de la sècheuse vers l'intérieur du tambour. Retirez l'ampoule et remplacez-la avec une ampoule de même format.

Commandez en ligne une ampoule de rechange **WE4M305** sur [www.electromenagersge.ca](http://www.electromenagersge.ca), par téléphone au **1-800.561.3344** durant les heures normales d'affaire, ou procurez-vous une ampoule modèle **7C7** chez votre détaillant.





# Instructions d'installation

## INVERSION DE L'OUVERTURE DE LA PORTE (optionnel)

### REMARQUES IMPORTANTES

- Lisez l'ensemble des instructions avant de commencer.
- Manipulez les pièces avec soin afin d'éviter d'abîmer la peinture.
- Posez les vis à côté de leurs pièces respectives afin d'éviter de les utiliser aux mauvais endroits.
- Prévoyez une surface non abrasive pour les portes.
- La procédure d'inversion de l'ouverture de la porte dure de 30 à 60 minutes.

**IMPORTANT:** Après avoir commencé, ne déplacez pas la sècheuse avant que l'inversion de l'ouverture de la porte n'ait été effectuée.

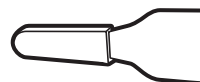
Ces instructions permettent de transférer les charnières du côté droit vers le côté gauche. Si vous souhaitez les réinstaller du côté droit, veuillez suivre ces mêmes instructions et inversez toutes les références aux termes gauche et droite.

### OUTILS NÉCESSAIRES

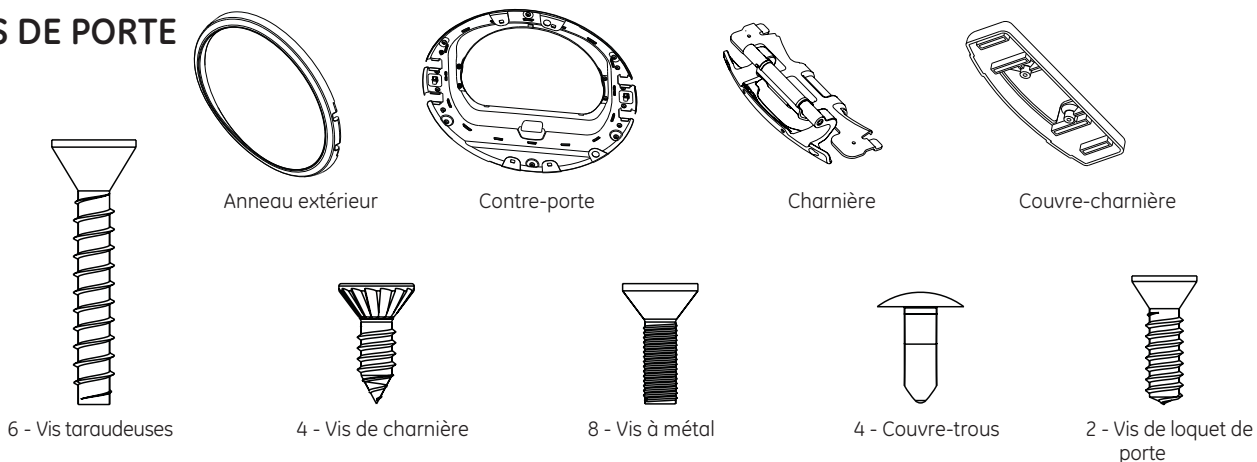
- ☐ Tournevis cruciforme



- ☐ Couteau à mastic ou tournevis fin

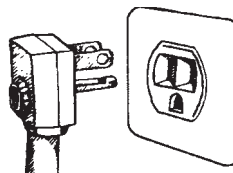


### PIÈCES DE PORTE



### AVANT DE COMMENCER

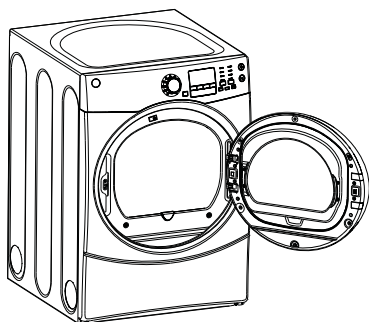
Débranchez la sècheuse de sa prise électrique.



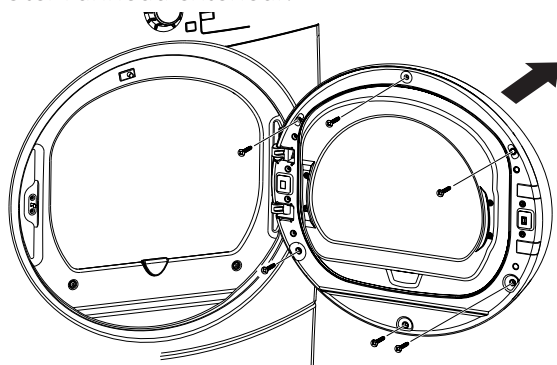
# Instructions d'installation

## 1 ENLÈVEMENT DE LA PORTE

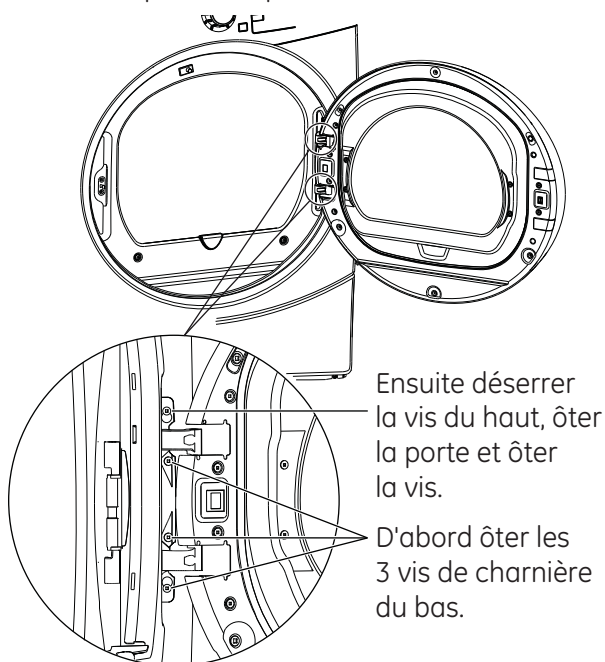
A. Ouvrez la porte à un angle de 130 degrés approximativement.



B. Retirez les 6 vis taraudeuses autour de la porte. Ôter l'anneau extérieur.



C. Ôter les 3 vis de charnière en allant du bas vers le haut. Assurez-vous que la porte est soutenue pendant que vous retirez les vis.

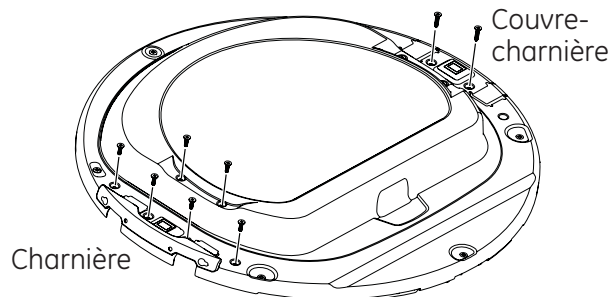


D. Desserrez la vis supérieure comme indiqué. Décrochez la porte en la soulevant et en la tirant. Ôter la vis du haut.

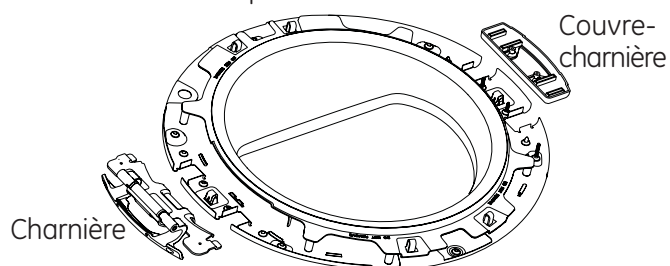
## 2 RETIRER LA CHARNIÈRE ET LE COUVRE-CHARNIÈRE

**IMPORTANT :** Prenez note de la position de la charnière (gauche ou droite) avant l'enlèvement.

A. Ôter les 6 vis à métal de la charnière et les 2 vis du couvre-charnière.

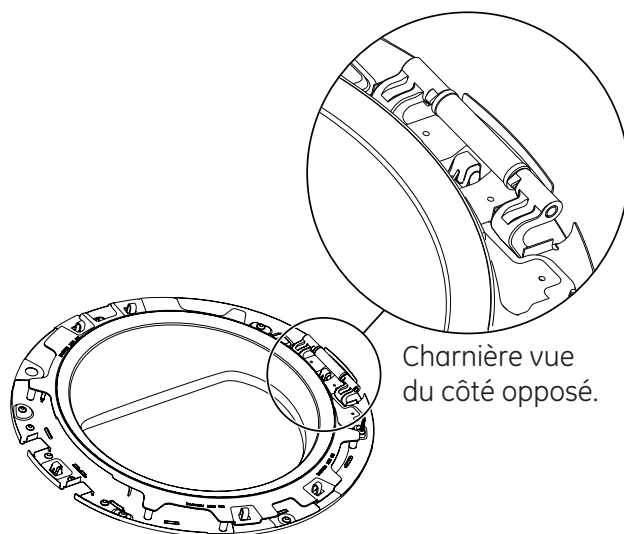


B. Une fois les vis retirées, tournez la porte et séparez la porte extérieure et le couvre-charnière du cadre de la porte et mettez-les de côté.



## 3 RÉINSTALLATION DE LA CHARNIÈRE

A. Placer la charnière sur l'autre côté de la porte, tel qu'illustré. Poussez la charnière jusqu'à ce que ses trous soient alignés avec les trous de la porte.

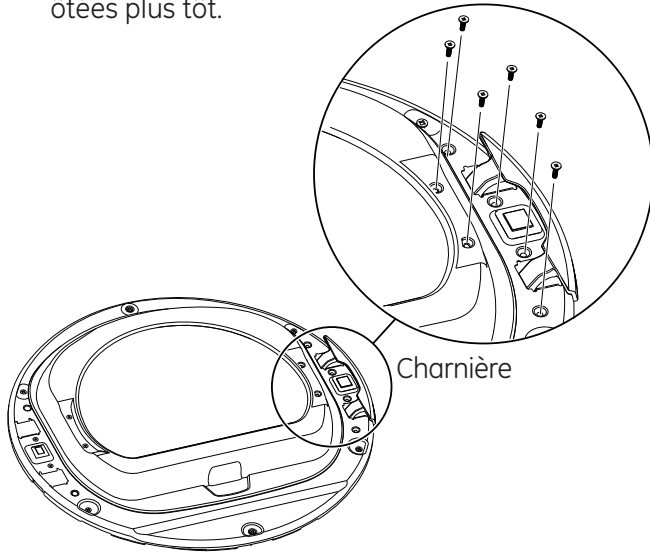


# Instructions d'installation

## INVERSION DE L'OUVERTURE DE LA PORTE (optionnel) (suite)

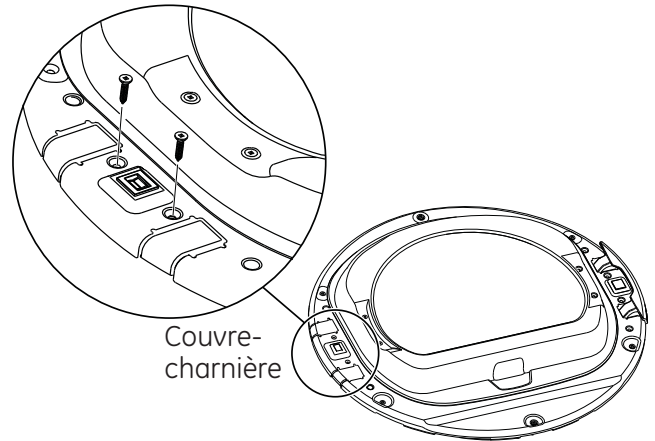
### 3 RÉINSTALLATION DE LA CHARNIÈRE (suite)

- B. Tenez la charnière en place et retourner la porte. Installez la charnière en utilisant les 6 vis à métal ôtées plus tôt.



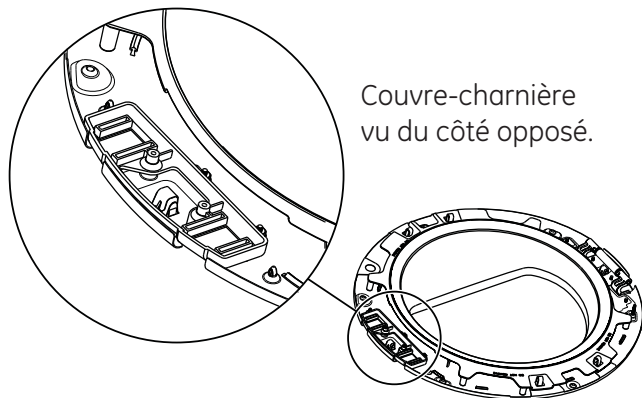
### 4 RÉINSTALLATION DU COUVRE-CHARNIÈRE (suite)

- B. Tenez le couvre-charnière en place et retourner la porte. Installez le couvre-charnière en utilisant les 6 vis à metal ôtées plus tôt.



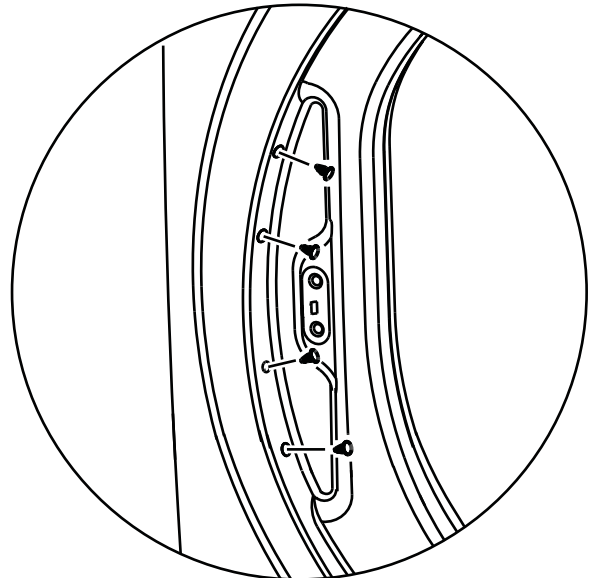
### 4 RÉINSTALLATION DU COUVRE-CHARNIÈRE

- A. Renversez la porte et placez le couvre-charnière du côté opposé de la porte tel que ci-dessous. Alignez les trous du couvre-charnière avec les trous de la porte.



### 5 DÉPLACER LE SUPPORT PROTECTEUR

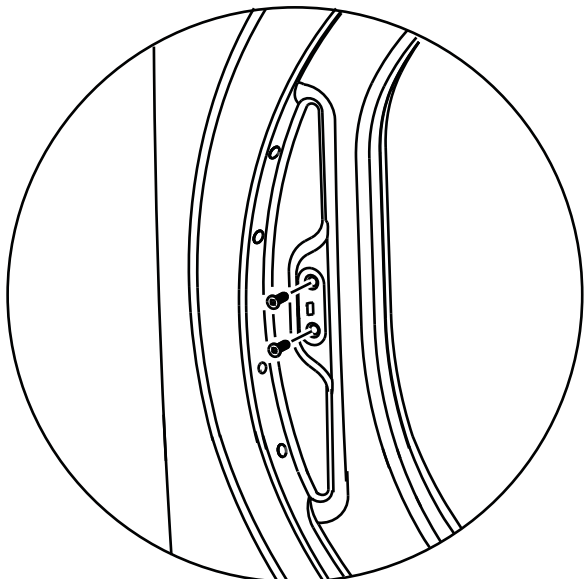
- A. À l'aide d'un couteau à mastic ou de tout autre outil plat, retirez les 4 boutons situés sur la sècheuse et installez-les sur l'autre côté.



# Instructions d'installation

## 5 DÉPLACER LE SUPPORT PROTECTEUR (suite)

- B. Déplacez le support protecteur et sa protection de l'autre côté en retirant les vis. Réinstallez-les sur l'autre côté.

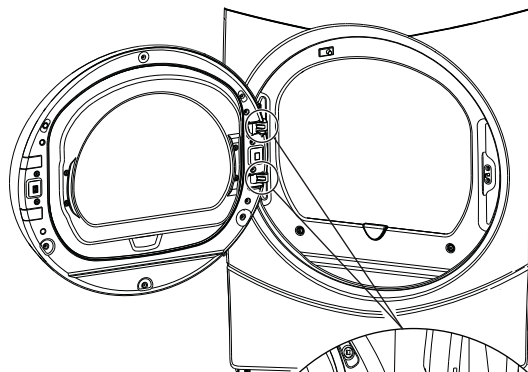


## 6 RÉINSTALLATION DE LA PORTE

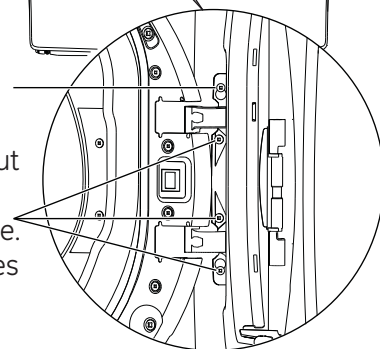
- A. Installez la porte sur la sècheuse. Pour faciliter cette étape, la charnière est dotée de fentes qui permettent d'utiliser les vis partiellement vissées comme crochets.

Vissez partiellement une vis dans le trou de vis supérieur. Accrochez la porte sur la vis partiellement vissée.

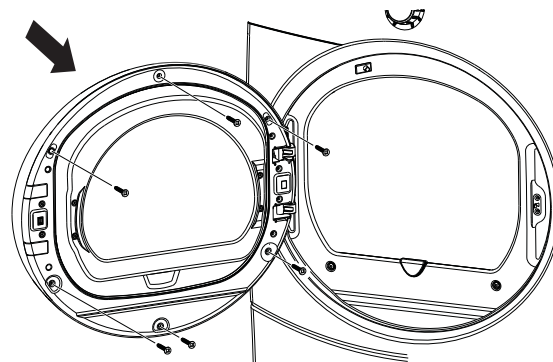
Serrez la charnière en installant les 4 autres vis et en serrant la vis qui a été partiellement vissée lors de l'étape précédente.



D'abord installez partiellement la vis de charnière du haut sur la sècheuse et y suspendre la porte. Ensuite y fixer toutes les vis.



- B. Alignez l'anneau extérieur dans la porte et vissez les 6 vis taraudeuses situées au long du périmètre de la porte autour du joint d'étanchéité.



# Notes

---

# Notes

---

# Instructions d'installation

## COMMENT SUPERPOSER LA SÉCHEUSE À LA LAVEUSE (optionnel)

### AVANT DE COMMENCER

Lisez ces instructions entièrement et soigneusement.

- **IMPORTANT** – Conservez ces instructions pour l'inspecteur local.
- **IMPORTANT** – Observez tous les codes et les ordonnances en vigueur.
- **Note à l'installateur** – Assurez-vous de laisser ces instructions au consommateur.
- **Note au consommateur** – Conservez ces instructions à titre de référence.
- L'installation de la sècheuse **doit** être effectuée par un installateur qualifié.
- L'installateur est responsable de bien installer cet appareil.

- Coupez l'alimentation électrique avant de procéder à l'installation. Vous risquez de vous blesser gravement si vous ne le faites pas.

### **AVERTISSEMENT** - Risque lié au poids excessif

La participation de deux personnes ou plus est nécessaire pour installer la sècheuse.

L'omission de prendre cette précaution peut causer une blessure au dos ou à une autre partie du corps.

- Évitez le basculement et le débranchement des services publics. La sècheuse doit être correctement fixée à la laveuse. NE placez PAS la laveuse au dessus de la sècheuse. Vous risquez de vous blesser gravement, voire mortellement ou des dommages matériels si vous ne tenez pas compte de cette recommandation.
- Maison mobile ou préfabriquée Installation – La superposition d'une sècheuse au gaz dans une maison mobile ou préfabriquée n'est pas autorisée.

### DÉGAGEMENTS MINIMUMS AUTRES QUE POUR UNE INSTALLATION ENCASTRÉE

Les dégagements minimums par rapport aux surfaces inflammables et pour l'orifice d'aération sont les suivants : 0 po des deux côtés, 75 mm (3 po) à l'avant/à l'arrière et 25 mm (1 po) haut. Veillez à prévoir des dégagements suffisants pour toute installation et réparation.

### EXIGENCES RELATIVES À UNE INSTALLATION ENCASTRÉE

- Votre sècheuse a été conçue pour être installée dans une alcôve ou un placard, comme l'indique une étiquette figurant sur l'arrière de la sècheuse.
- L'air de la sècheuse DOIT être évacué vers l'extérieur. Se reporter au chapitre ÉVACUATION DE LA SÉCHEUSE.
- L'espace minimum entre la carrosserie de la sècheuse et les murs adjacents ou d'autres surfaces :
  - 0 mm (0 po) des deux côtés
  - 75 mm (3 po) avant et arrière
- Distance verticale minimum du sol aux étagères suspendues, armoires, plafonds, etc. de 132 cm (52 po).
- Les portes du placard doivent être perforées ou bien ventilées et disposer d'au moins 150 cm<sup>2</sup> (60 pouces carrés) d'espace ouvert réparti de façon homogène. Si le placard abrite une laveuse et une sècheuse, les portes doivent disposer de 3 m<sup>2</sup> (120 pouces carrés) au minimum d'espace ouvert réparti de façon homogène.
- L'air du placard doit être évacué vers l'extérieur afin d'éviter la formation de poches de gaz si le tuyau d'alimentation de gaz transporte du gaz.
- Aucun autre appareil à combustible ne doit être installé dans le même placard que la sècheuse (modèles fonctionnant au gaz uniquement).

**REMARQUE:** SI LE TUYAU D'ÉVACUATION EST SITUÉ À L'ARRIÈRE DE LA SÉCHEUSE, L'ESPACE MINIMUM PAR RAPPORT AU MUR EST DE 14 cm (5,5 POUCES).

### ENSEMBLE DE SUPERPOSITION GE

Commandez en ligne sur [www.electromenagersge.ca](http://www.electromenagersge.ca) 24 heures sur 24, ou en téléphonant au **1-800.561.3344** durant

les heures normales de bureau.

**Numéro de pièce**

GEFLSTACK

**Accessoire**

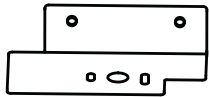
Ensemble complet de superposition

# Instructions d'installation

## COMMENT SUPERPOSER LA SÈCHEUSE À LA LAVEUSE (optionnel) (suite)

### CONTENU DE L'ENSEMBLE DE SUPERPOSITION GEFLSTACK (ACCESSOIRE EN OPTION)

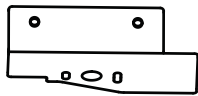
REMARQUE : Modèles GFDR480, GFDR485, GFWR4800 et GFWR4805 ne peuvent pas être superposés.



☐ Support gauche



☐ 4 vis #12 x 1 po



☐ Support droit



☐ 4 vis #8 x 1/2 po



☐ 4 cales en caoutchouc

### OUTILS NÉCESSAIRES



☐ Tournevis cruciforme



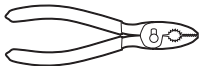
☐ Gants



☐ Clé à fourche



☐ Niveau



☐ Pince

### COMMENT PRÉPARER L'INSTALLATION

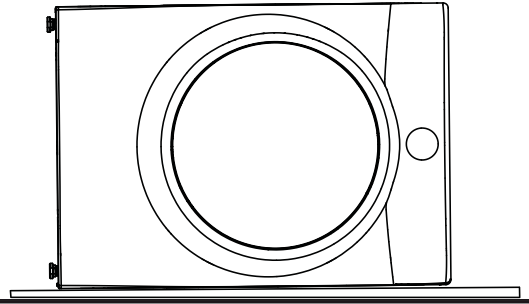
Retirez l'emballage.

Aplatissez le carton pour l'utiliser comme cale pour coucher la sècheuse sur le côté. Utilisez le carton pour protéger également le sol en face de l'endroit choisi pour l'installation.

## COMMENT INSTALLER L'ENSEMBLE DE SUPPORT DE SUPERPOSITION

### 1 COMMENT RETIRER LES PATTES DE NIVELLEMENT DE LA SÈCHEUSE

- A. Posez avec précaution la sècheuse sur le côté. Utilisez le matériau d'emballage de manière à ne pas égratigner le fini de la sècheuse.



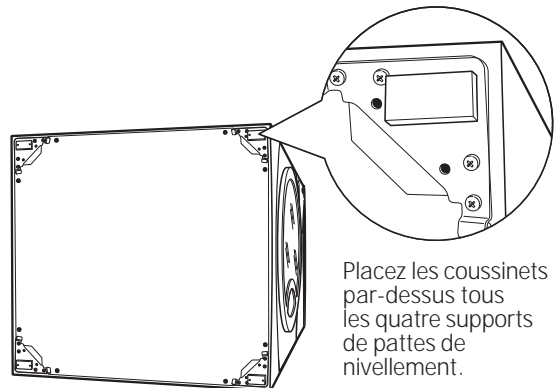
- B. Utilisez une clé à fourche ou une pince pour retirer les pattes de la sècheuse.



Reculez et retirez les 4 pieds de mise à niveau.

### 2 COMMENT INSTALLER LES CALES EN CAOUTCHOUC SUR LA BASE DE LA SÈCHEUSE

Saisissez-vous des 4 cales en caoutchouc situées dans le paquet contenant toutes les pièces. Retirez la pellicule protectrice et collez les cales dans les coins où vous avez retiré les pattes de nivellement.



Placez les coussinets par-dessus tous les quatre supports de pattes de nivellement.



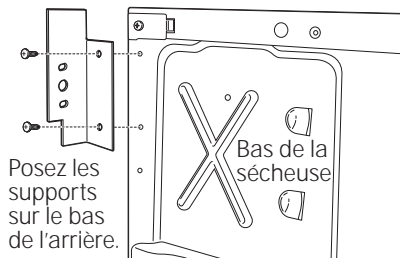
# Instructions d'installation

## COMMENT SUPERPOSER LA SÉCHEUSE À LA LAVEUSE (optionnel) (suite)

### 3 COMMENT INSTALLER LE SUPPORT SUR LA SÉCHEUSE

- Alignez les trous du support gauche sur ceux situés dans le coin inférieur gauche de l'appareil. Utilisez un tournevis cruciforme pour installer les 2 vis taraudeuses #12 x 1 po.
- Répétez l'étape ci-dessus avec le support droit sur le coin inférieur droit de la sécheuse.
- Remettez la sécheuse debout.

**REMARQUE:** Veillez à placer la sécheuse sur une partie de l'emballage de sorte que les supports fixés au bas de la sécheuse n'endommagent pas le sol.



### 4 PRÉPAREZ LA LAVEUSE ET LA SÉCHEUSE

- Placez la laveuse dans son emplacement désigné.
- Assurez-vous que la laveuse est de niveau. Pour plus de détails, reportez-vous aux instructions d'installation de la laveuse.
- Inversez l'ouverture de la porte au besoin. Consultez les Instructions d'installation pour plus de renseignements.

**REMARQUE :** Il est impossible d'inverser l'ouverture de la porte de la laveuse.

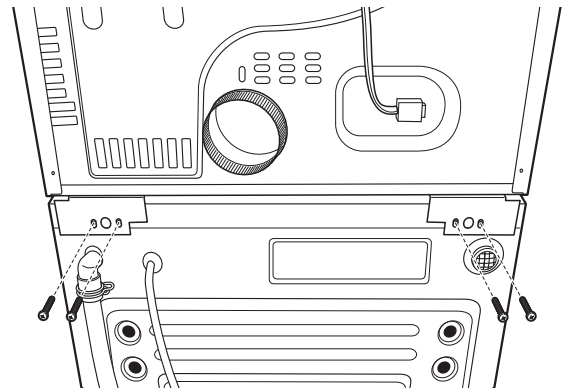
### 5 COMMENT INSTALLER LA SÉCHEUSE ET LE SUPPORT SUR LA LAVEUSE

- Placez la sécheuse au-dessus de la laveuse. Prenez soin de ne pas égratigner le dessus de la laveuse avec les supports. Protégez le panneau de contrôle avec du carton ou tout autre protection. Prenez soin de soulever la sécheuse à une hauteur suffisante de manière à ne pas masquer le panneau de contrôle de la laveuse.

Deux personnes sont nécessaires pour soulever la sécheuse en raison de son poids et de sa taille. Vous risquez de vous blesser gravement, voire mortellement si vous ne tenez pas compte de cette recommandation.

### 5 COMMENT INSTALLER LA SÉCHEUSE ET LE SUPPORT SUR LA LAVEUSE (suite)

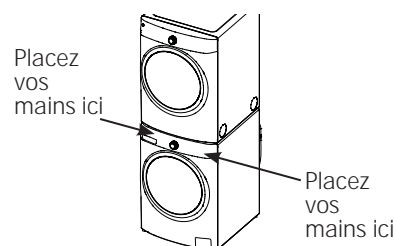
- Alignez les trous du support sur ceux situés à l'arrière de la laveuse. À l'aide d'un tournevis cruciforme, vissez les 2 vis taraudeuses #8 x 1/2 po. Répétez l'opération pour les deux côtés de la laveuse.



### 6 COMMENT TERMINER L'INSTALLATION

- Reportez-vous aux consignes d'installation pour terminer l'installation de la laveuse.
- Reportez-vous aux consignes d'installation pour terminer l'installation de la sécheuse.
- Poussez avec précaution la laveuse et la sécheuse superposées à leur emplacement définitif. Utilisez des cales en feutre ou tout autre dispositif coulissant pour faciliter le déplacement et protéger le revêtement du sol.

Ne poussez pas sur la sécheuse lorsqu'elle est installée au-dessus de la laveuse. Si vous poussez sur la sécheuse, vous risquez de vous coincer vos doigts.





## Conseils de dépannage

Economisez du temps et de l'argent ! Consultez les tableaux sur les pages suivantes ou consultez [ELECTROMENAGERSGE.CA](http://ELECTROMENAGERSGE.CA). Vous n'aurez peut-être pas besoin d'appeler un technicien.

Problème	Causes possibles	Correctifs
La sècheuse émet des secousses et des bruits	Le bruit/ou les secousses sont normaux. La sècheuse est peut-être placée sur une surface inégale	<ul style="list-style-type: none"> <li>Placez l'appareil sur une surface plane, ou ajustez les pattes au besoin jusqu'à ce qu'il soit bien de niveau.</li> </ul>
Le séchage est trop long	Des conduits inadéquats ou bouchés	<ul style="list-style-type: none"> <li>Consultez les consignes d'installation afin de vous assurer que l'évacuation de l'air de la sècheuse est correcte.</li> <li>Veillez à ce que le conduit soit propre, non déformé et non bouché.</li> <li>Assurez-vous que l'évent mural extérieur fonctionne sans problème.</li> </ul>
	Tri erroné	<ul style="list-style-type: none"> <li>Séparez les articles lourds des légers (en général un linge correctement trié dans la laveuse l'est aussi dans la sècheuse).</li> </ul>
	Charges de tissus lourds (serviettes par exemple)	<ul style="list-style-type: none"> <li>Les tissus lourds et de grande taille contiennent de l'humidité et tardent davantage à sécher. Répartissez les tissus lourds et de grande taille en de plus petites charges pour accélérer le séchage.</li> </ul>
	Les commandes sont mal réglées	<ul style="list-style-type: none"> <li>Réglez les commandes conformément à la charge que vous séchez.</li> </ul>
	Le filtre à charpie est plein	<ul style="list-style-type: none"> <li>Nettoyez le filtre à charpie avant chaque utilisation.</li> </ul>
	Fusibles grillés ou disjoncteur déclenché	<ul style="list-style-type: none"> <li>Remplacez les fusibles ou réenclenchez les disjoncteurs. La plupart des sècheuse étant équipées de 2 fusibles/disjoncteurs, assurez-vous que les deux fonctionnent.</li> </ul>
	Surcharge/charges mixtes	<ul style="list-style-type: none"> <li>Ne mettez pas plusieurs charges dans la sècheuse à la fois.</li> </ul>
	Charge insuffisante	<ul style="list-style-type: none"> <li>Si vous ne séchez qu'un ou deux articles, ajoutez d'autres vêtements afin d'obtenir un bon culbutage.</li> </ul>
Le niveau de séchage Dry a été sélectionné mais le linge est toujours humide	La brassée est composée de vêtements lourds et légers	<ul style="list-style-type: none"> <li>Lorsque vous mélangez les tissus lourds et légers, sélectionnez <b>More Dry (Plus Sec)</b>.</li> </ul>
	Le système d'évacuation est bloqué	<ul style="list-style-type: none"> <li>Inspectez et nettoyez-le.</li> </ul>
Les touches de commande ne répondent pas	Les commandes ont été accidentellement réglées au mode réparation	<ul style="list-style-type: none"> <li>Appuyez sur <b>Start/Pause (Mise en marche/pause)</b>.</li> </ul>
	Les commandes ont été accidentellement réglées au mode verrouillage	<ul style="list-style-type: none"> <li>Maintenez la touche <b>Lock Control (Verrouillage)</b> enfoncée pendant 3 secondes pour déverrouiller la sècheuse.</li> </ul>
	Les commandes fonctionnent mal	<ul style="list-style-type: none"> <li>Réenclenchez le disjoncteur de votre domicile.</li> </ul>
La sècheuse ne démarre pas	Le panneau de contrôle est en « veille »	<ul style="list-style-type: none"> <li>C'est normal. Appuyez sur <b>Power (Alimentation)</b> pour activer le panneau de contrôle.</li> </ul>
	La sècheuse est débranchée	<ul style="list-style-type: none"> <li>Veillez à ce que la fiche de la sècheuse soit entièrement branchée dans la prise.</li> </ul>
	Fusible grillé/disjoncteur déclenché	<ul style="list-style-type: none"> <li>Vérifiez le fusible disjoncteur et remplacez le fusible ou réenclenchez le disjoncteur. <b>REMARQUE</b> : Les sècheuses électriques utilisent deux fusibles ou disjoncteurs.</li> </ul>
	La sècheuse a été arrêtée par inadvertance au moment de régler la fonction Delay Dry (Mise en marche différée)	<ul style="list-style-type: none"> <li>Si la lumière de la touche <b>Start/Pause (Mise en marche/pause)</b> clignote, la sècheuse est arrêtée. Appuyez sur <b>Start/Pause (Mise en marche/pause)</b> pour lancer le compte à rebours.</li> </ul>
Aucun chiffre n'apparaît pendant le cycle, il ne fait que s'allumer	La sècheuse évalue la quantité d'humidité du linge	<ul style="list-style-type: none"> <li>C'est normal. Lorsque la sècheuse détectera un faible niveau d'humidité dans le linge, elle affichera le temps de séchage restant.</li> </ul>

## Avant d'appeler un réparateur...

Problème	Causes possibles	Correctifs
Le temps restant a diminué	Le temps estimé risque de changer lorsqu'une charge plus petite est en train de sécher	<ul style="list-style-type: none"> <li>C'est normal.</li> </ul>
Impossible de procéder à une sélection et la sècheuse émet un double bip	L'option dryness Level (Niveau de séchage), Temp (Temperature) ou l'option que vous tentez de sélectionner est incompatible avec le cycle de séchage sélectionné	<ul style="list-style-type: none"> <li>C'est normal.</li> </ul>
La sècheuse fonctionne mais 00 est le temps restant affiché	L'option Extend Tumble (Culbutage prolongé) a été sélectionnée	<ul style="list-style-type: none"> <li>C'est normal. Pendant un culbutage prolongé, le temps restant n'est pas affiché. L'option de culbutage prolongé dure environ 60 minutes.</li> </ul>
Nettoyez le filtre (message)	Le bouton Power (Alimentation) a été activé	<ul style="list-style-type: none"> <li>Appuyez sur <b>Start/Pause</b> (<i>Mise en marche/pause</i>) pour à charpie lancer un cycle de séchage et le message disparaîtra.</li> </ul>
La sècheuse ne chauffe pas	Fusible grillé/disjoncteur déclenché, la sècheuse peut tourner mais ne chauffe pas	<ul style="list-style-type: none"> <li>Vérifiez le fusible disjoncteur et remplacez le fusible ou réenclenchez le disjoncteur. Votre sècheuse peut tourner si un fusible est grillé ou un disjoncteur est déclenché.</li> </ul>
	L'alimentation de gaz est coupée (modèles à gaz seulement)	<ul style="list-style-type: none"> <li>Assurez-vous que le robinet d'arrêt du gaz sur la sècheuse et que le robinet principal sont ouverts.</li> </ul>
	Le réservoir de gaz propane est vide ou il y a eu une coupure de gaz naturel (modèles à gaz seulement)	<ul style="list-style-type: none"> <li>Faites le plein ou remplacez le réservoir. La sècheuse chauffe lorsque l'alimentation en gaz est restaurée.</li> </ul>
Temps de séchage non uniformes	Type de chaleur	<ul style="list-style-type: none"> <li>Le temps de séchage variera en fonction du type de chauffage utilisé. Si vous avez récemment remplacé votre sècheuse électrique par un modèle à gaz propane, ou vice-versa, le temps de séchage peut ne pas être le même.</li> </ul>
	Type de charge et conditions de séchage	<ul style="list-style-type: none"> <li>La taille du linge, les types de tissus, l'humidité du linge et la longueur et l'état du système d'évacuation auront une influence sur le temps de séchage.</li> </ul>
Le linge est toujours humide et la sècheuse s'est arrêtée après quelques instants	La porte a été ouverte au milieu du cycle. Le linge a été ensuite retiré de la sècheuse et une nouvelle charge introduite sans sélectionner un nouveau cycle	<ul style="list-style-type: none"> <li>Un cycle de séchage doit être sélectionné chaque fois qu'une nouvelle brassée est placée dans l'appareil.</li> </ul>
	Charge petite	<ul style="list-style-type: none"> <li>Si vous séchez 3 articles au plus, sélectionnez <b>Speed Dry</b> (<i>Séchage rapide</i>) ou <b>Time Dry</b> (<i>Séchage minuté</i>).</li> </ul>
	Le linge est déjà sec à l'exception des cols et les ceintures	<ul style="list-style-type: none"> <li>Sélectionner <b>Quick Dry</b> (<i>Séchage rapide</i>) ou <b>Time Dry</b> (<i>Séchage minuté</i>) pour sécher des cols et des ceintures. À l'avenir, lorsque vous séchez des articles possédant des cols et des ceintures, sélectionnez plutôt <b>More Dry</b> (<i>Plus Sec</i>).</li> </ul>
La sècheuse n'est pas placée sur une surface plane		<ul style="list-style-type: none"> <li>Placez l'appareil sur une surface plane, ou ajustez les pattes au besoin jusqu'à ce qu'il soit bien de niveau.</li> </ul>
Le linge est froissé	Séchage excessif	<ul style="list-style-type: none"> <li>Sélectionnez un temps de séchage plus court.</li> <li>Retirez du linge pendant qu'il est encore légèrement humide. Sélectionnez les options <b>Less Dry</b> (<i>Moins sec</i>) ou <b>Damp</b> (<i>Humide</i>).</li> </ul>
	Linge laissé dans la sècheuse alors que le cycle est fini	<ul style="list-style-type: none"> <li>Retirez le linge une fois le cycle terminé, pliez et suspendez-le immédiatement, ou utilisez l'option <b>Wrinkle Care</b> (<i>Culbutage Prolongé</i>).</li> </ul>
	Surcharge	<ul style="list-style-type: none"> <li>Répartissez les tissus lourds et de grande taille en de plus petites charges.</li> </ul>



## Conseils de dépannage

Problème	Causes possibles	Correctifs
<i>Le linge a rétréci</i>	Certains tissus rétréciront naturellement au lavage. D'autres peuvent être lavés sans problème, mais rétréciront dans la sècheuse	<ul style="list-style-type: none"> <li>Afin d'éviter tout rétrécissement, suivez les indications figurant sur les étiquettes des vêtements.</li> <li>Certains vêtements doivent être étirés après le séchage afin qu'ils retrouvent leur forme d'origine.</li> <li>Si vous avez peur qu'un vêtement rétrécisse, ne le lavez pas à la machine ou ne le séchez pas dans la sècheuse.</li> </ul>
<i>Des tâches de gras sur le linge</i>	Une utilisation inadéquate de l'assouplissant	<ul style="list-style-type: none"> <li>Suivez le mode d'emploi figurant sur l'emballage de l'assouplissant.</li> </ul>
	Séchage de linge propre avec du linge sale	<ul style="list-style-type: none"> <li>Utilisez votre sècheuse pour ne sécher que du linge propre. Le linge sale risque de tacher le linge propre et la sècheuse.</li> </ul>
	Le linge n'était pas complètement propre	<ul style="list-style-type: none"> <li>Il arrive parfois que des tâches ne soient pas visibles lorsque le linge est humide et apparaissent après le séchage. Utilisez des procédures de lavage adéquates avant le séchage.</li> </ul>
<i>De la charpie sur le linge</i>	Le filtre à charpie est plein	<ul style="list-style-type: none"> <li>Nettoyez le filtre à charpie avant chaque utilisation.</li> </ul>
	Tri erroné	<ul style="list-style-type: none"> <li>Triez les tissus producteurs de charpie (chenille par exemple) des tissus collecteurs de charpie (le velours côtelé par exemple).</li> </ul>
	L'électricité statique peut attirer la charpie	<ul style="list-style-type: none"> <li>Se reporter aux suggestions de la section <b>Électricité statique</b>.</li> </ul>
	Surcharge	<ul style="list-style-type: none"> <li>Répartissez les tissus lourds et de grande taille en de plus petites charges.</li> </ul>
	Papier, mouchoir, etc., oubliés dans les poches	<ul style="list-style-type: none"> <li>Videz toutes les poches avant de laver le linge.</li> </ul>
<i>Électricité statique</i>	Aucun assouplissant n'a été utilisé	<ul style="list-style-type: none"> <li>Essayez un assouplissant.</li> <li>Les feuilles d'assouplissant textile de marque Bounce<sup>MD</sup> ont été approuvées pour toutes les sècheuses GE lorsqu'elles sont utilisées conformément aux instructions du fabricant.</li> </ul>
	Séchage excessif	<ul style="list-style-type: none"> <li>Essayez un assouplissant.</li> <li>Réglez l'option <b>Less Dry</b> (Moins Sec) ou <b>Damp</b> (Humide).</li> </ul>
	Les synthétiques, les mélanges et les infroissables peuvent provoquer de l'électricité statique	<ul style="list-style-type: none"> <li>Essayez un assouplissant.</li> </ul>
<i>Les cols et les ceintures sont toujours humides à la fin du cycle</i>	Le capteur d'humidité détecte que la majeure partie du linge est sèche	<ul style="list-style-type: none"> <li>Sélectionnez <b>Quick Dry</b> (Séchage rapide) ou <b>Time Dry</b> (Séchage minuté) pour sécher les cols et les ceintures humides. À l'avenir, lorsque vous séchez des articles possédant des cols et des ceintures, sélectionnez plutôt <b>More Dry</b> (Plus Sec).</li> </ul>
<i>Légère variation de la couleur métallique</i>	C'est normal	<ul style="list-style-type: none"> <li>En raison des propriétés métalliques de la peinture utilisée pour ce produit, de légères variations de couleur peuvent se produire en raison des conditions d'éclairage et des angles d'observation.</li> </ul>

## Avant d'appeler un réparateur...

<i>Problème</i>	<i>Causes possibles</i>	<i>Correctifs</i>
<i>La porte est trop embuée pour apercevoir les vêtements durant un cycle vapeur</i>	La vapeur se condense sur la porte intérieure	• C'est normal.
<i>L'eau visible à l'intérieur de la porte et sur le haut du filtre à charpie lors de l'ouverture de la porte après un cycle vapeur</i>	La vapeur se condense sur ces surfaces	• C'est normal.
<i>De petites zones des vêtements sont humides après le</i>	<i>La vapeur se condense sur le tambour intérieur programme de vapeur</i>	• Si vous utilisez le programme <b>Steam Dewrinkle</b> ( <i>Défroissage à la vapeur</i> ), réduisez manuellement la durée du programme. Si vous utilisez le programme <b>Steam Refresh</b> ( <i>Rafrichissement à la vapeur</i> ), ajoutez des vêtements à la charge.
<i>Petite quantité d'eau sur le plancher devant la sècheuse</i>	<i>Charge inadéquate pour le programme de vapeur sélectionné, l'excédent de vapeur se condense et fuit</i>	• Si vous utilisez le programme <b>Steam Dewrinkle</b> ( <i>Défroissage à la vapeur</i> ), réduisez manuellement la durée du programme. Si vous utilisez le programme <b>Steam Refresh</b> ( <i>Rafrichissement à la vapeur</i> ), ajoutez d'autres vêtements à la charge.
<i>De l'eau sur le plancher, derrière la sècheuse</i>	Une connexion du tuyau d'eau à la valve n'est pas assez serrée	• Resserrez la connexion.
	Une rondelle de caoutchouc du boyau est manquante sur la connexion avec la valve	• Installez la rondelle de caoutchouc fournie avec le boyau.
<i>La sècheuse émet des bruits d'eau</i>	La valve d'eau est ouverte, remplissant le générateur de vapeur	• C'est normal.
	Le générateur de vapeur émet de la vapeur dans le tambour	• C'est normal.
<i>De l'eau dégouline de la porte lorsque cette dernière est ouverte après un Cycle Vapeur</i>	La vapeur se condense sur la porte intérieure	• C'est normal.
<i>Ne peut voir la vapeur au début du cycle</i>	La vapeur est relâchée à différents moments durant le cycle	• C'est normal.
<i>Impossible de voir de la vapeur n'importe quand pendant le cycle</i>	Le bec vapeur peut être bouché de débris de l'arrivée d'eau.	• Appelez <b>1-800.561.3344</b> pour commander le nécessaire de rechange de bec <b>WE25M71</b> ou pour demander à un technicien de le remplacer pour vous
<i>Les vêtements sont encore froissés après un cycle vapeur</i>	Trop de vêtements	• Insérez moins de vêtements ; augmentez manuellement la durée du cycle.
<i>La sècheuse continue à fonctionner après que l'affichage indique que le programme est terminé</i>	<i>L'option de culbutage prolongé a été sélectionnée</i>	• Assurez-vous que l'option <b>Wrinkle Care</b> ( <i>Culbutage prolongé</i> ) n'a pas été sélectionnée. Pour le programme <b>Steam Refresh</b> ( <i>Rafrichissement à la, vapeur</i> ), <b>Ext Tumble</b> ( <i>Culbutage prolongé</i> ) sera automatiquement mis en marche et ne pourra être arrêté.

## Garantie de la sècheuse GE. (Pour des clients au Canada)



Tout le service sous garantie est fourni par nos Centres de service ou par un technicien autorisé. Pour le service, appelez le 1.800.561.3344.

Veillez fournir le numéro de série et le numéro de modèle lorsque vous appelez pour obtenir le service.

### Pour une période de: Nous remplacerons:

#### Un an

À partir de la date d'achat d'origine

Toute pièce de la sècheuse qui se révèle défectueuse en raison d'un vice de matériaux ou de fabrication. Pendant cette **garantie limitée de un an**, GE prendra en charge également, **gratuitement**, tous les frais de main-d'œuvre et les frais connexes de service pour remplacer la pièce défectueuse.

### Ce qui n'est pas couvert:

- Les frais de déplacements à votre maison pour vous apprendre à utiliser votre produit.
- Une mauvaise installation, livraison ou entretien.
- Une panne du produit si celui-ci est maltraité, mal utilisé ou utilisé à des fins autres que celles auxquelles il est destiné, ou utilisé commercialement.
- Remplacement de l'ampoule lumineuse après sa durée de vie utile prévue.
- Le remplacement de fusibles de la maison ou le réenclenchement des disjoncteurs.
- Des dommages au produit causés par un accident, un incendie, une inondation ou une catastrophe naturelle.
- Tout dommage indirect ou consécutif causé par des pannes possibles de cet appareil électroménager.
- Des dommages après la livraison.
- Le service s'il est impossible d'avoir accès au produit pour l'effectuer.
- Défauts ou dommages causés par l'utilisation aux températures en-dessous de zéro C.
- Produits qui ne sont pas défectueux ou endommagés ou qui fonctionnent tel que décrit dans le manuel de l'utilisateur.

**EXCLUSION DE GARANTIES IMPLICITES** – Votre seul et unique recours est la réparation du produit selon les dispositions de cette Garantie limitée. Toutes les garanties implicites, incluant les garanties de qualité marchande et de convenance, sont limitées à une année ou à la période la plus courte autorisée par la législation.

Cette garantie est offerte à l'acheteur original et à tout autre propriétaire suivant pour les produits achetés au Canada pour une utilisation domestique au Canada. Le service à domicile en vertu de la garantie sera fourni dans les régions où il est disponible et où Mabe estime raisonnable de le fournir.

LE GARANT N'EST PAS RESPONSABLE DES DOMMAGES INDIRECTS.

Garant : MC Commercial, Burlington, ON

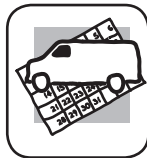
## Soutien au consommateur.



### Site Web appareils électroménagers GE

Aux É.-U. : **GEAppliances.com**

Vous avez une question ou vous avez besoin d'aide pour votre appareil électroménager? Visitez notre site Web consacré aux appareils électroménagers GE, et ce 24 heures par jour, tous les jours de l'année! Pour des raisons de commodité et pour accélérer le service, vous pouvez maintenant télécharger les manuels du propriétaire, commander des pièces et même programmer les visites de service en ligne. **Au Canada: [www.GEAppliances.ca](http://www.GEAppliances.ca)**



### Service de réparation

Aux É.-U. : **GEAppliances.com**

Un service de réparation expert GE se trouve à quelques pas de chez vous. Visitez notre site et programmez, à votre convenance, une visite de service à n'importe quel jour de l'année! Ou composez le 800.GE.CARES (800.432.2737) durant les heures normales de bureau.

**Au Canada, composez le 1.800.561.3344**



### Studio de conception universel

Aux É.-U. : **GEAppliances.com**

GE appuie le concept de design universel—des produits, des services et des environnements qui peuvent être utilisés par des personnes de tous âges, tailles et capacités. Nous reconnaissons le besoin de concevoir des produits pour un vaste éventail d'aptitudes et déficiences mentales et physiques. Visitez notre site Web aujourd'hui pour obtenir plus de renseignements sur l'application du design universel par GE, y compris des conceptions de cuisine pour les personnes handicapées. Dans le cas de personnes malentendantes, veuillez composer le 800.TDD.GEAC (800.833.4322).

**Au Canada**, contactez : Manager, Consumer Relations, MC Commercial  
Suite 310, 1 Factory Lane  
Moncton, N.B. E1C 9M3

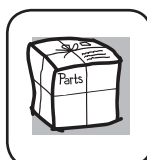


### Prolongation de garantie

Aux É.-U. : **GEAppliances.com**

Achetez un contrat d'entretien GE et informez-vous des rabais spéciaux en vigueur pendant toute la durée de votre garantie. Vous pouvez vous le procurer en ligne ou en composant le 800.GE.CARES (800.432.2737) durant les heures normales de bureau. Les services à domicile GE seront toujours disponibles après l'expiration de la garantie.

**Au Canada, consultez votre annuaire local pour un fournisseur de garantie prolongée.**



### Pièces et accessoires

Aux É.-U. : **GEAppliances.com**

Les personnes ayant les compétences requises pour réparer elles-mêmes leurs appareils peuvent recevoir directement à la maison des pièces ou accessoires (les cartes VISA, MasterCard et Discover sont acceptées). Commandez en ligne dès aujourd'hui, 24 heures sur 24 tous les jours, ou en téléphonant au 800.626.2002 durant les heures normales de bureau.

**Les instructions contenues dans le présent manuel comportent des procédures que tout utilisateur peut effectuer. Les autres types de réparation doivent généralement être confiés à un technicien qualifié. Utilisez de la prudence: une réparation ou un entretien mal effectués peuvent rendre l'utilisation de l'appareil dangereuse.**

Les consommateurs **au Canada** doivent consulter les pages jaunes pour connaître le centre de service Mabe le plus proche, ou composer le 1.800.661.1616.



### Communiquez avec nous

Aux É.-U. : **GEAppliances.com**

Si vous n'êtes pas satisfait du service après-vente de GE, communiquez avec nous sur notre site Web en fournissant tous les détails et votre numéro de téléphone, ou écrivez à :

General Manager, Customer Relations  
GE Appliances, Appliance Park  
Louisville, KY 40225

**Au Canada: [www.GEAppliances.ca](http://www.GEAppliances.ca)**, ou écrivez à :

Director, Consumer Relations, MC Commercial  
Suite 310, 1 Factory Lane  
Moncton, N.B. E1C 9M3



### Enregistrez votre électroménager

Aux É.-U. : **GEAppliances.com**

**Enregistrez votre nouvel appareil en ligne au moment qui vous convient le mieux!** L'enregistrement de votre produit dans les délais prescrits permet une meilleure communication et un service rapide, selon les modalités de votre garantie, si besoin est. Vous pouvez également envoyer par courrier la carte d'enregistrement pré-imprimée qui se trouve dans l'emballage de votre appareil. **Au Canada: [www.GEAppliances.ca](http://www.GEAppliances.ca)**



234D2376P001

**49-90520**

03-14 GE





# Dryers

**Safety Instructions** ..... 2-4

**Operating Instructions**

Controls ..... 4-8  
Quick Start ..... 9  
Using the Dryer ..... 9  
Features ..... 10

**Care and Cleaning** ..... 11

**Installation Instructions**

Reversing the Door Swing ..... 31-35  
Stacking the Washer/Dryer ..... 36-38

**Troubleshooting Tips** ..... 39-42

**Consumer Support**

Consumer Support ..... Back Cover  
Warranty (Canada) ..... 44  
Warranty (U.S.) ..... 43

**Owner's Manual &  
Installation Instructions**

GFMS175  
GFMS170

## Sécheuses

**Manuel d'utilisation et  
d'installation**

La section française commence à la page 45

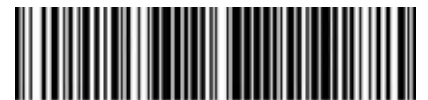


**Write the model and serial  
numbers here:**

**Model #** \_\_\_\_\_

**Serial #** \_\_\_\_\_


They are on the label on the front  
of the dryer behind the door.



**234D2376P001**  
49-90520 03-14 GE

# **IMPORTANT SAFETY INFORMATION.**

## **READ ALL INSTRUCTIONS BEFORE USING.**


 This is the safety alert symbol. This symbol alerts you to potential hazards that can kill you or hurt you and others. All safety messages will follow the safety alert symbol and the word "DANGER", "WARNING", or "CAUTION". These words are defined as:

 **DANGER** Indicates a hazardous situation which, if not avoided, **will** result in death or serious injury.

 **WARNING** Indicates a hazardous situation which, if not avoided, **could** result in death or serious injury.

 **CAUTION** Indicates a hazardous situation which, if not avoided, **could** result in minor or moderate injury.

## **IMPORTANT SAFETY INSTRUCTIONS**

 **WARNING** To reduce the risk of fire, explosion, electric shock, or injury to persons when using your appliance, follow basic precautions, including the following:

- Read all instructions before using the appliance.
- DO NOT dry articles that have been previously cleaned in, washed in, soaked in or spotted with gasoline, dry-cleaning solvents, or other flammable or explosive substances, as they give off vapors that could ignite or explode.
- DO NOT allow children to play on or in this appliance. Close supervision of children is necessary when this appliance is used near children. Before the appliance is removed from service or discarded, remove the door to the drying compartment.
- DO NOT reach into the appliance if the drum is moving.
- DO NOT install or store this appliance where it will be exposed to the weather.
- DO NOT tamper with controls, repair or replace any part of this appliance or attempt any servicing unless specifically recommended in the user maintenance instructions or in published user repair instructions that you understand and have the skills to carry out.
- DO NOT use fabric softeners or products to eliminate static unless recommended by the manufacturer of the fabric softener or product.
- DO NOT use heat to dry articles containing foam rubber or similarly textured rubber-like materials.
- Clean lint screen before or after each load. DO NOT operate the dryer without the lint filter in place.
- Do not store combustible materials, gasoline or other flammable liquids near the dryer. Keep area around the exhaust opening and adjacent surrounding areas free from the accumulation of lint, dust and dirt. Keep dryer area clear and free from items that would obstruct the flow of combustion and ventilation air.
- The interior of the appliance and exhaust duct should be cleaned periodically by qualified service personnel.
- DO NOT place items exposed to cooking oils in your dryer. Items contaminated with cooking oils may contribute to a chemical reaction that could cause a load to catch fire.
- Keep the floor around your appliances clean and dry to reduce the possibility of slipping.
- Unplug the appliance or turn off the circuit breaker before servicing. Pressing the *Power* or *Start/Pause* button DOES NOT disconnect power.
- DO NOT operate this appliance if it is damaged, malfunctioning, partially disassembled, or has missing or broken parts, including a damaged cord or plug.
- DO NOT spray any type of aerosol into, on or near dryer at any time. Do not use any type of spray cleaner when cleaning dryer interior. Hazardous fumes or electrical shock could occur.
- See "Electrical Connection" located in the Installation Instructions for grounding instructions.

## **SAVE THESE INSTRUCTIONS**

## ADDITIONAL GAS DRYER WARNINGS

**⚠ WARNING**

For your safety, the information in this manual must be followed to minimize the risk of fire or explosion or to prevent damage, personal injury, or death.

- DO NOT store or use gasoline or other flammable vapors and liquids in the vicinity of this or any other appliance.
- WHAT TO DO IF YOU SMELL GAS:
  - DO NOT try to light any appliance.
  - DO NOT touch any electrical switch; DO NOT use any phone in your building.
  - Clear the room, building, or area of any occupants.
  - Immediately call your gas supplier from a neighbor's phone. Follow the gas supplier's instructions.
  - If you cannot reach your gas supplier, call the fire department.
- Installation and service must be performed by a qualified installer, service agency, or the gas supplier.

### *State of California Proposition 65 Warnings:*

The California Safe Drinking Water and Toxic Enforcement Act requires the governor of California to publish a list of substances known to the state to cause cancer, birth defects or other reproductive harm and requires businesses to warn of potential exposure to such substances.

**⚠ WARNING**

This product contains one or more chemicals known to the State of California to cause cancer, birth defects or other reproductive harm.

Gas appliances can cause low-level exposure to some of these substances, including benzene, carbon monoxide, formaldehyde and soot, caused primarily by the incomplete combustion of natural gas or LP fuels. Exposure to these substances can be minimized by properly venting the dryer to the outdoors.

## SAVE THESE INSTRUCTIONS

# About the dryer control panel.

## ⚠️ WARNING!

To reduce the risk of fire, electric shock, or injury to persons, read the **IMPORTANT SAFETY INSTRUCTIONS** before operating this appliance.

### ⚠️ WARNING



#### Explosion Hazard

Keep flammable materials and vapors, such as gasoline, away from dryer.  
**DO NOT** dry anything that has ever had anything flammable on it (even after washing).  
 Failure to do so can result in death, explosion, or fire.

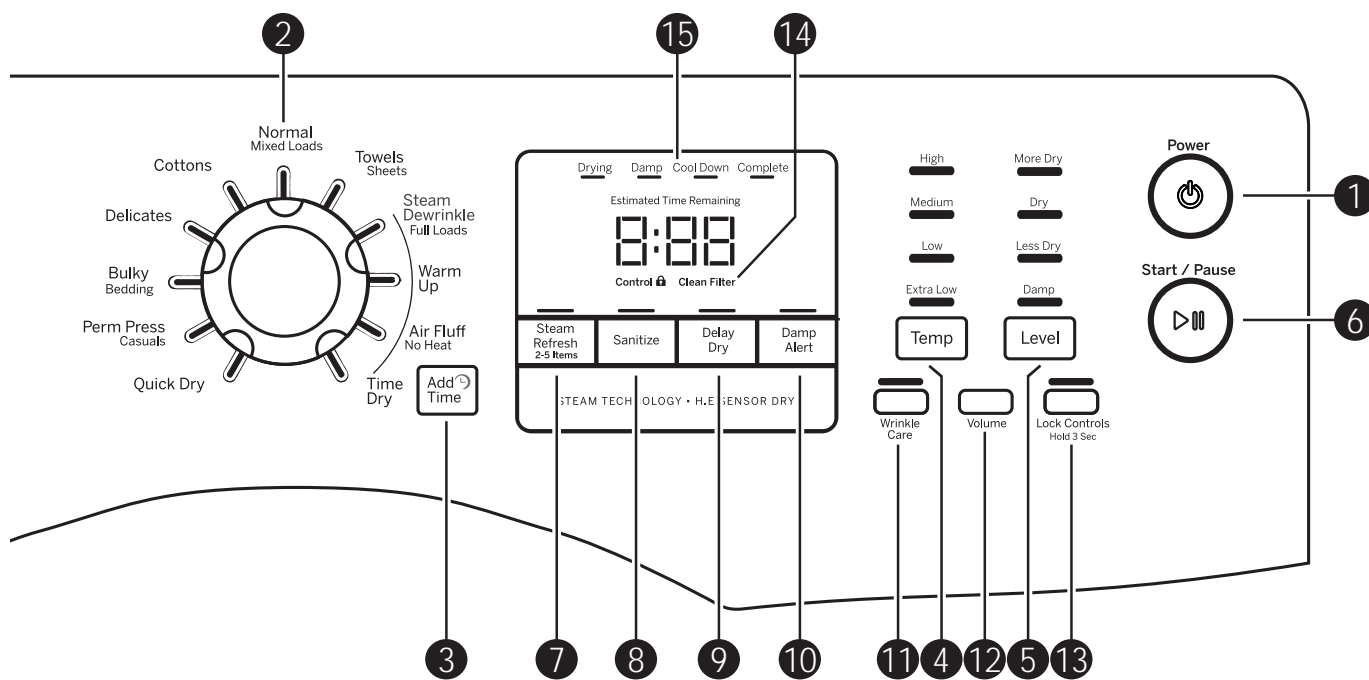
### ⚠️ WARNING



#### Fire Hazard

No washer can completely remove oil.  
 Do not dry anything that has ever had any type of oil on it (including cooking oils).  
 Items containing foam, rubber, or plastic must be dried on a clothesline or by using an air dry cycle.  
 Failure to follow these instructions can result in death or fire.

Throughout this manual, features and appearance may vary from your model.



# Control settings.

## Quick Start

1 Press the **Power** button.

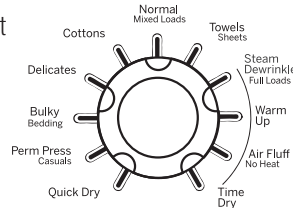
If the screen is dark, a press of the **Power** button will “wake up” the display.



3 Press the **Start/Pause** button.



2 Select a dry cycle. (Defaults are set for each cycle. These default settings can be changed. See **Control settings** for more information.)



## 1 Power

Press to “wake up” the display. If the display is active, press to turn the dryer off.








**NOTE:** Pressing **Power** does not disconnect the appliance from the power supply.

## 2 Dry Cycles

The dry cycle controls the length and tumble speed of the drying process. The chart below will help you match the dry setting with the loads.

<b>Normal/Mixed Loads</b>	For loads consisting of cottons and poly-blends.
<b>Cottons</b>	For cottons and most linens.
<b>Delicates</b>	For lingerie and special-care fabrics.
<b>Bulky/Bedding</b>	For large coats, bed spreads, mattress covers, sleeping bags, blankets, comforters, jackets, small rugs, and similar large and bulky items.
<b>Perm Press/Casuals</b>	Clothing worn for active sports exercise and some casual wear. Fabrics include new technology finishes and stretch fibers such as Spandex. Also for clothing labeled Easy Care or Perma Press: For wrinkle-free and permanent press items.
<b>Quick Dry</b>	For small loads that are needed in a hurry, such as sports or school uniforms. Can also be used if the previous cycle left some items damp, such as collars or waistbands.
<b>Towels/Sheets</b>	Use for towels <i>OR</i> sheets. It is <i>not</i> recommended to mix towels <i>and</i> sheets in the same load.
<b>Steam Dewrinkle Full Loads</b>	Provides 20 minutes of steam drying to assist with dewrinkling clothes. Ideal for loads left in dryer for an extended time.
<b>Warm Up</b>	Provides 10 minutes of warming time to warm up clothes.
<b>Air Fluff/No Heat</b>	Provides 10 minutes of tumbling time without heat.
<b>Time Dry</b>	Use to set your own dry time. <b>Time Dry</b> is also recommended for small loads. To use: 1. Turn dry cycle dial to <b>Time Dry</b> . 2. Increase the drying time by pressing the <b>Add Time</b> button. <b>Note:</b> This button only increases the time. When max time is reached, pressing the button again will reset the counter to the lowest setting. 3. Select the <b>Temp</b> . 4. Close the door. 5. Press <b>Start/Pause</b> .

## Control settings.

- 3**  **Add Time**  
Press to add time to the **Steam Dewrinkle**, **Warm Up**, **Air Fluff** or **Time Dry** cycles in 10 minute increments.
- 
- 4**  **Temp**  
You can change the temperature of your dry cycle.
- |                  |   |
|------------------|---|
| <b>High</b>      | For regular to heavy cottons.                               |
| <b>Medium</b>    | For synthetics, blends and items labeled Permanent Press.   |
| <b>Low</b>       | For delicates, synthetics and items labeled Tumble Dry Low. |
| <b>Extra Low</b> | For lingerie and special-care fabrics.                      |
- 
- 5**  **Level**  
The sensor continuously monitors the amount of moisture in the load. When the moisture in your clothes reaches your selected dry level, the dryer will stop.
- NOTE:** Sensor dry **Level** only works with **Cottons**, **Normal**, **Active Wear**, **Delicates**, **Quick Dry**, **Bulky**, **Towels/Sheets**, **Sanitize** and **Steam Dewrinkle** cycles.
- |                 |  |
|-----------------|--|
| <b>More Dry</b> | Use for heavy or mixed type of fabrics.  |
| <b>Dry</b>      | Use for normal dryness level suitable for most loads. This is the preferred cycle for energy saving. |
| <b>Less Dry</b> | Use for lighter fabric (ideal for ironing).  |
| <b>Damp</b>     | For leaving items partially damp.  |
- 
- 6**  **Start/Pause**  
Press to start a dry cycle. If the dryer is running, press it once and it will pause the dryer. Press it again to resume the dry cycle.
- 
- 7**  **Steam Refresh Cycle**  
For slightly wrinkled dry garments. Significantly reduces wrinkles on up to 5 garments. After the **Steam Refresh** Cycle, the unit will beep and display "0:00." If the unit is not turned off or if the door is not opened, the dryer will continue to tumble for 30 minutes. At the end of 30 minutes, it will display "0:00" and the cycle will be complete.
- NOTE:** A single extremely light fabric item may need to have an additional item included to achieve optimum results.
- 
- 8**  **Sanitize**  
Reduces certain types of bacteria by 99.8%, including: Staphylococcus aureus, Pseudomonas aeruginosa, and Klebsiella pneumoniae. The antibacterial process occurs when high heat is used during a portion of this drying cycle.
- NOTE:** Do not use this cycle on delicate fabrics. \*The **Sanitize** Cycle is Certified by NSF International to NSF Protocol P154 Sanitization Performance of Residential Clothes Dryers.
- 
- NSF Protocol P154  
Sanitization Performance of  
Residential Clothes Dryers

9



### Delay Dry

Use to delay the start of your dryer.

1. Choose your dry cycle and any options.
2. Press **Delay Dry**. You can change the delay time in 1 hour increments, using the **Delay Dry** button.
3. Press the **Start/Pause** button to start the countdown.

**NOTE:** If the door is opened while the dryer is in **Delay Dry**, the countdown time will not restart unless the door is closed and **Start/Pause** button has been pressed again.

10



### Damp Alert

This option causes the dryer to beep when clothes have dried to a damp level. Remove items that you wish to hang dry. The **Damp Alert** will only beep when this option is selected, and the dryer will continue to dry.

Removing clothes and hanging them when they are damp can reduce the need to iron some items.

11



### Ext Tumble/Wrinkle Care

Minimizes wrinkles by adding approximately 60 minutes of no-heat tumbling after clothes are dry. The beeper will sound every five minutes as a reminder to remove the clothes.

The estimated time remaining display will show "0:00".

The extended tumble time does not get added to the cycle time on the display.

12



### Volume

Alerts you that the cycle is complete. The beeper will continue to sound every minute for the next 5 minutes, until the clothes have been removed. The clothes should be removed when the beeper goes off so wrinkles don't set in.

Press **Volume** to select low, medium or high volume, or to turn the beeper off.

To turn on or off the sounds the buttons make when pressed, press and hold the **Volume** button for 3 seconds .

13



### Lock Control

You can lock the controls to prevent any selections from being made. Or you can lock or unlock the controls after you have started a cycle.

To unlock the dryer controls, press and hold the **Lock Control** button for 3 seconds.

A sound is made to indicate the lock/unlock status.

Children cannot accidentally start the dryer by touching buttons with this option selected.

The indicator light above the button will illuminate when the controls are locked.

To lock the dryer, press and hold the **Lock Control** button for 3 seconds.

**NOTE:** The **Power** button can still be used when the machine is locked.

14

### Clean Filter

#### Clean Filter Message

This message represents only a reminder and does **not** always appear when the filter needs cleaning. The filter should be cleaned after every drying cycle is complete.

This message will disappear after the **Start/Pause** button is pressed. Even though you may have already cleaned the filter (before or after the **Power** button has been pressed), the "Clean Filter" message will still be displayed until the **Start/Pause** button is activated.

15



### Display

Displays the approximate time remaining until the end of the cycle.

Then lights will "race" in the display. This means the dryer is continuously monitoring the amount of moisture in the load. The lights will continue until the dryer senses a low level of moisture in the load. At that point, the dryer will calculate and display the approximate time remaining.

# Using the dryer.















Always follow the fabric manufacturer's care label when laundering.



## Fabric Care Labels

Below are fabric care label "symbols" that affect the clothing you will be laundering.

### Dry Labels

<b>Tumble dry</b>	 Dry	 Normal	 Permanent Press/ wrinkle resistant	 Gentle/ delicate	 Do not tumble dry	 Do not dry (used with do not wash)
<b>Heat setting</b>	 High	 Medium	 Low	 No heat/air		
<b>Special instructions</b>	 Line dry/ hang to dry	 Drip dry	 Dry flat	 In the shade		



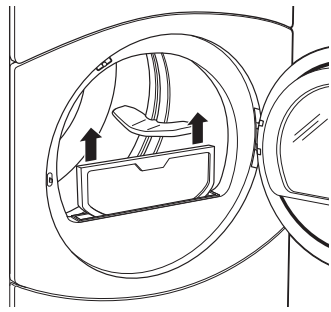
## Sorting and Loading Hints

As a general rule, if clothes are sorted properly for the washer, they are sorted properly for the dryer. Try also to sort items according to size. For example, do not dry a sheet with socks or other small items.

Do not add fabric softener sheets once the load has become warm. They may cause fabric softener stains. Bounce® Fabric Conditioner Dryer Sheets have been approved for use in this dryer when used in accordance with the manufacturer's instructions.

**Do not overload.** This wastes energy and causes wrinkling.





**The Exterior:** Wipe or dust any spills or washing compounds with a damp cloth. Dryer control panel and finishes may be damaged by some laundry pretreatment soil and stain remover products. Apply these products away from the dryer. The fabric may then be washed and dried normally. Damage to your dryer caused by these products is not covered by your warranty.

**The Lint Filter:** Clean the lint filter before each use.

Pull out the lint filter. Moisten your fingers and remove the captured lint. Once clean, slide the filter back into position. Have a qualified technician vacuum the lint from the dryer once a year.

**NEVER OPERATE  
THE DRYER WITHOUT ITS FILTER  
IN PLACE.**

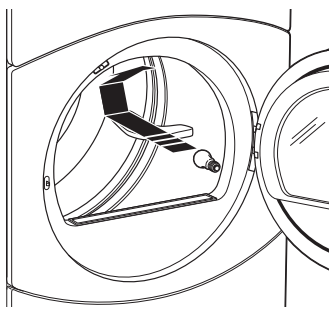
**Stainless Steel:** To clean stainless steel surfaces use a damp cloth with a mild, non-abrasive cleaner suitable for stainless steel surfaces. Remove the cleaner residue and then dry with a clean cloth.

The stainless steel used to make the dryer drum provides the highest reliability available in a GE dryer. If the dryer drum should be scratched or dented during normal use, the drum will not rust or corrode. These surface blemishes will not affect the function or durability of the drum.

**Dryer Interior and Duct:** The interior of the appliance and exhaust duct should be cleaned once a year by qualified service personnel.

**The Exhaust Duct:** Inspect and clean the exhaust ducting at least once a year to prevent clogging. A partially clogged exhaust can lengthen the drying time.

**The Exhaust Hood:** Check with a mirror that the inside flaps of the hood move freely when operating. Make sure that there is no wildlife (birds, insects, etc.) nesting inside the duct or hood.



## Drum Lamp

The drum lamp comes on automatically when the door is opened.

Before replacing the light bulb, be sure to unplug the dryer power cord or disconnect the dryer at the household distribution panel by removing the fuse or switching off the circuit breaker. Reach above dryer opening from inside the drum. Remove the bulb and replace with the same size bulb.

Order replacement bulb **WE4M305** on-line at [GEApplianceParts.com](http://GEApplianceParts.com), by phone at **800.626.2002** during normal business hours, or purchase appliance bulb **7C7** from your local retailer.

# Installation Instructions

## REVERSING THE DOOR SWING (if desired)

### IMPORTANT NOTES

- Read the instructions all the way through before starting.
- Handle parts carefully to avoid scratching paint.
- Set screws down by their related parts to avoid using them in the wrong places.
- Provide a non-scratching work surface for the doors.
- Normal completion time to reverse the door swing is 30–60 minutes.

**IMPORTANT:** Once you begin, do not move the cabinet until door-swing reversal is completed.

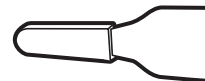
These instructions are for changing the hinges from the right side to the left side—if you ever want to switch them back to the right side, follow these same instructions and reverse all references to the left and right.

### TOOLS YOU WILL NEED

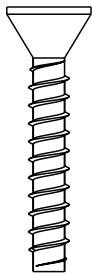
- ☐ Phillips-head screwdriver



- ☐ Putty Knife or Thin-Blade Screwdriver



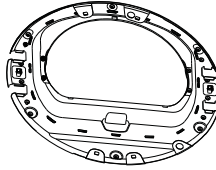
### DOOR PARTS



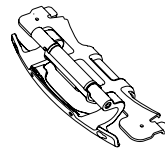
6 - Tapping Screws



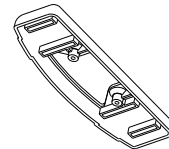
Outer Ring



Inner Door



Hinge



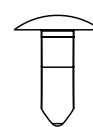
Hinge Cover



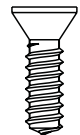
4 - Hinge Screws



8 - Machine Screws



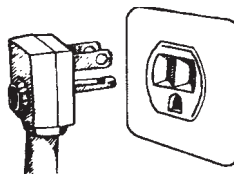
4 - Beauty Buttons



2 - Strike Bracket Screws

### BEFORE YOU START

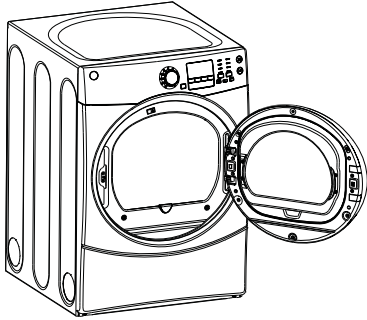
Unplug the dryer from its electrical outlet.



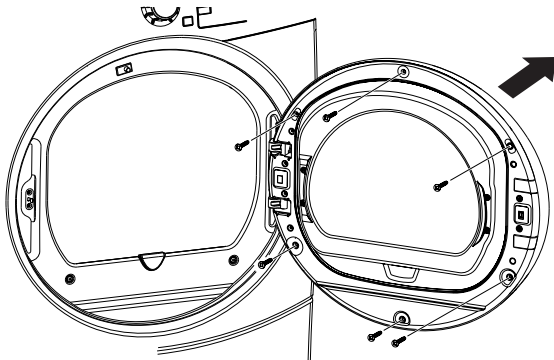
# Installation Instructions

## 1 REMOVE THE DOOR ASSEMBLY

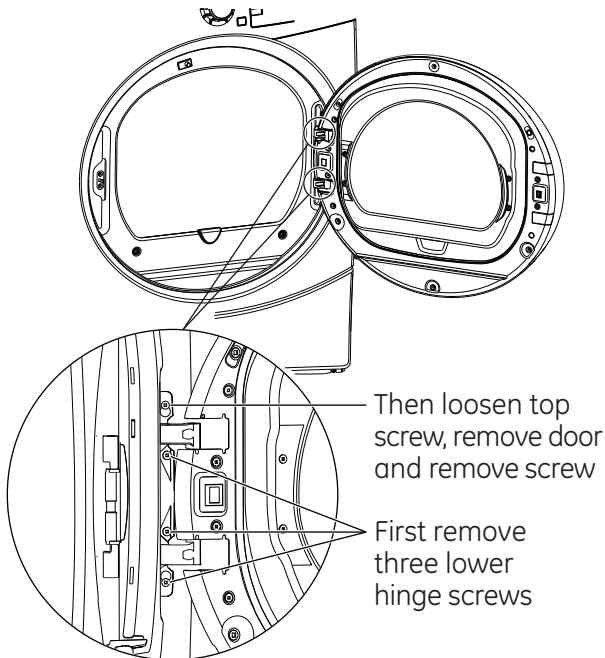
A. Open the door to approximately 130 degrees.



B. Remove the 6 tapping screws located around the perimeter of the door outlining the gasket. Remove the outer ring.



C. Remove 3 hinge screws starting at the bottom and move up. Make sure the door is supported while removing the screws.

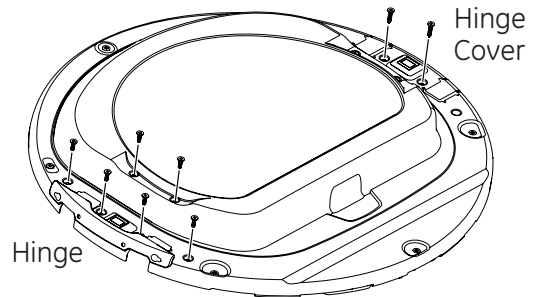


D. Loosen the top screw as shown. Unhook the door by lifting and pulling. Remove the top screw.

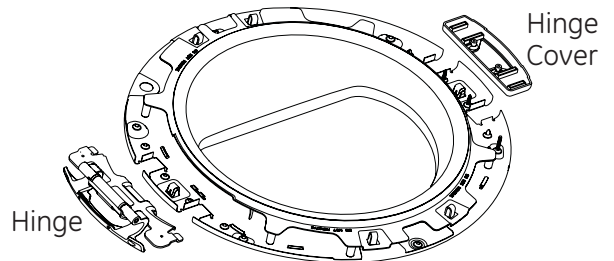
## 2 REMOVE HINGE AND COVER

**IMPORTANT:** Note the location of the hinge (left or right) before removing.

A. Remove the 6 machine screws from the hinge and the 2 screws from the hinge cover.

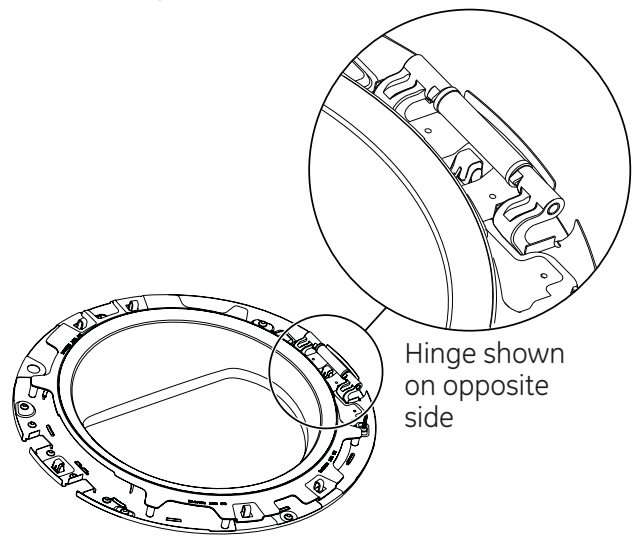


B. With the screws removed, turn the door over and separate the outer door assembly and hinge cover of the door from the door frame and set aside.



## 3 REINSTALL HINGE ASSEMBLY

A. Place the hinge in the opposite side of the door as shown. Push the hinge in place until the hinge holes align with the door holes.

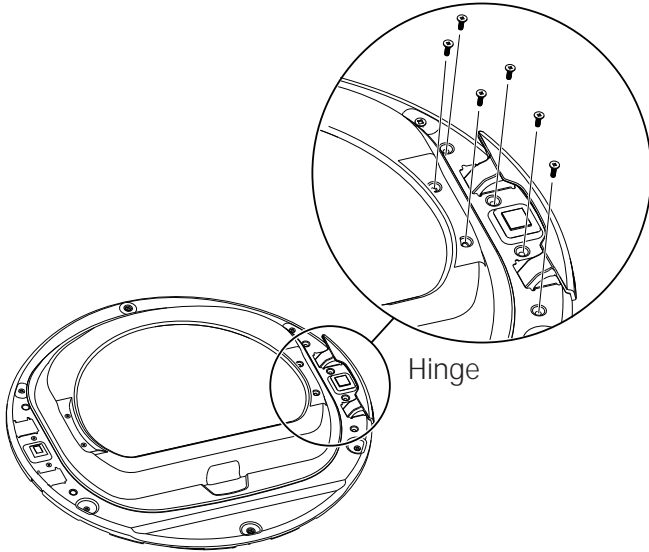


# Installation Instructions

## REVERSING THE DOOR SWING (if desired)

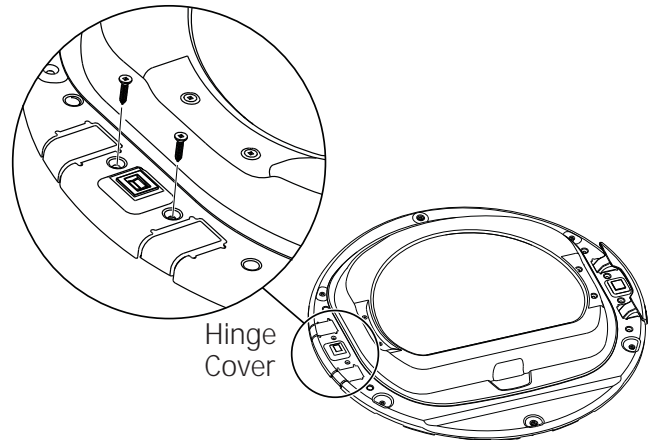
### 3 REINSTALL HINGE ASSEMBLY (cont.)

- B. Hold the hinge in place and turn the door over. Install the hinge using the 6 machine screws removed earlier.



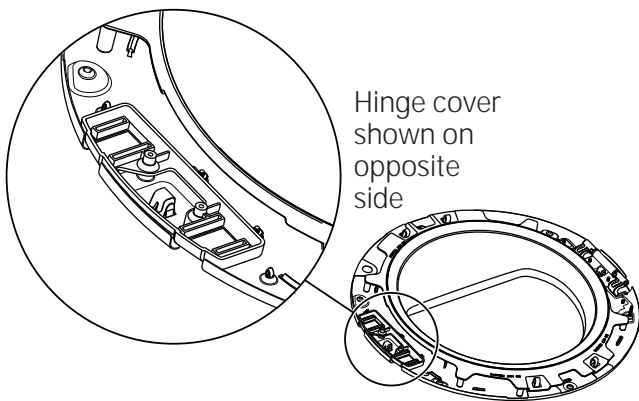
### 4 REINSTALL HINGE COVER (cont.)

- B. Hold the hinge cover in place and turn the door over. Install the hinge cover using the 2 tapping screws removed earlier.



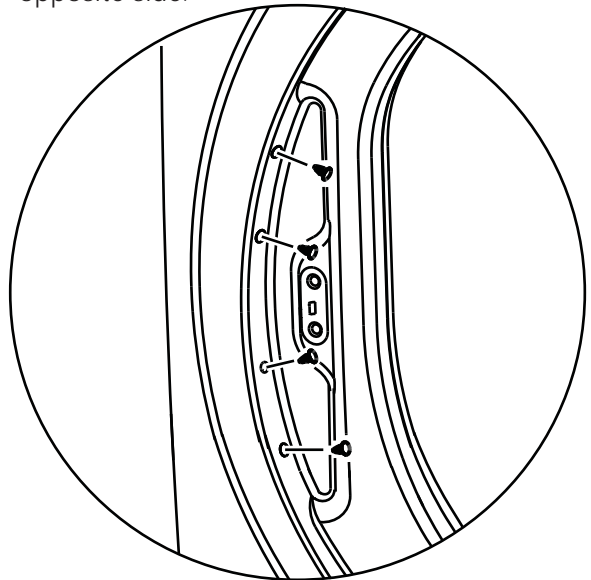
### 4 REINSTALL HINGE COVER

- A. Turn the door over and place the hinge cover in the opposite side of the door as shown. Align the hinge cover holes with the holes in the door.



### 5 MOVE STRIKE BRACKET

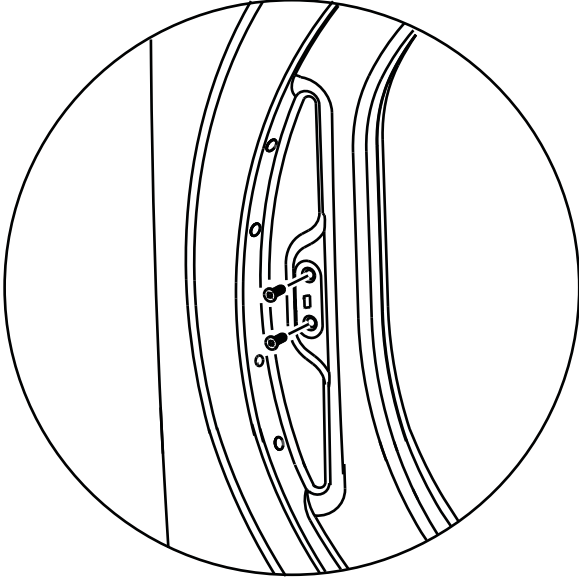
- A. Using a putty knife or any other flat tool, remove the 4 beauty buttons located on the dryer where the door will be installed and install them on the opposite side.



# Installation Instructions

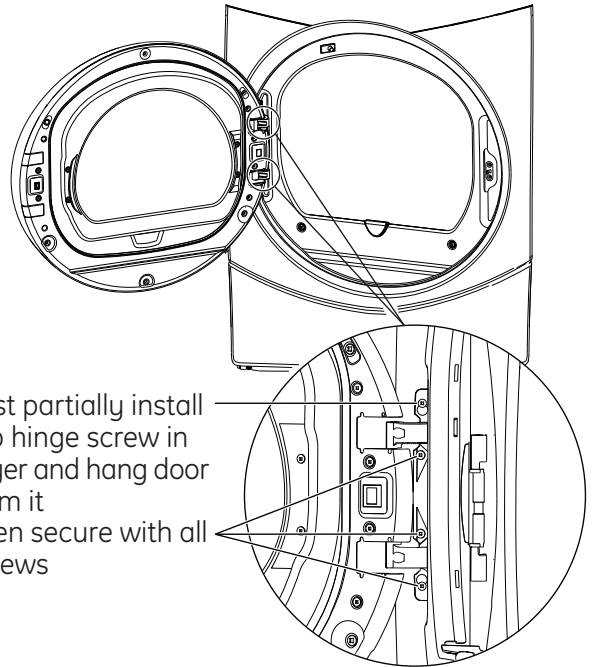
## 5 MOVE STRIKE BRACKET (cont.)

- B. Switch the strike bracket and its cover to the opposite side by removing the screws. Reinstall both on the opposite side.



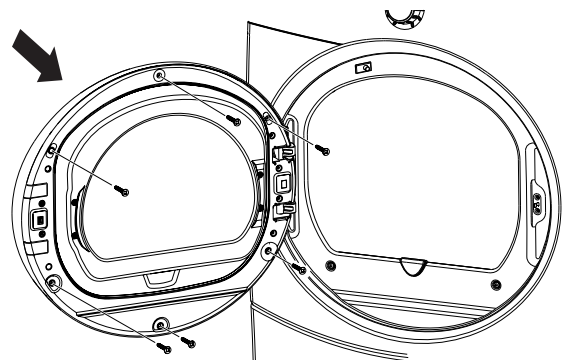
## 6 REINSTALL DOOR ASSEMBLY

- A. Install the door on the dryer. To ease this step, the hinge has keyholes that allow a partially fastened screw to be used as a hook. Partially fasten a screw to the uppermost screw hole. Hook the door on the partially fastened screw. Fasten the hinge by installing the other 4 screws and tightening the partially fastened screw above.



First partially install top hinge screw in dryer and hang door from it  
Then secure with all screws

- B. Align the outer ring in the door and fasten the 6 tapping screws located around the perimeter of the door outlining the gasket.



# Notes

---

# Notes

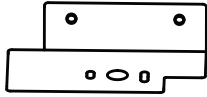
---

# Installation Instructions

## STACKING THE WASHER AND DRYER (if desired) (cont.)

### STACKING KIT GEFLSTACK CONTENTS (OPTIONAL ACCESSORY)

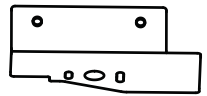
NOTE: Models GFDR480, GFDR485, GFWR4800 and GFWR4805 cannot be stacked.



☐ Left hand bracket



☐ 4 #12 x 1" screws



☐ Right hand bracket



☐ 4 #8 x 1/2" screws



☐ 4 rubber pads

### TOOLS YOU WILL NEED



☐ Phillips screwdriver



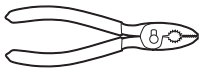
☐ Gloves



☐ Open-ended wrench



☐ Level



☐ Pliers

### INSTALLATION PREPARATION

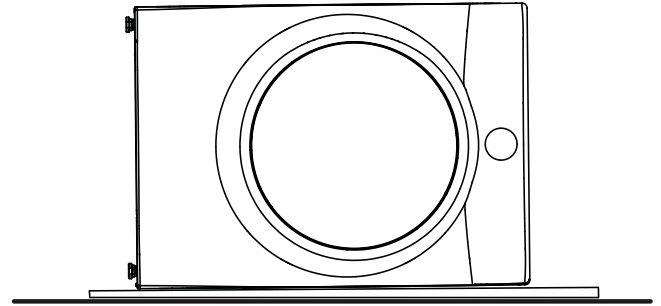
Remove the packaging.

Flatten the product carton to use as a pad to lay the dryer down on its side. Continue using the carton to protect the finished floor in front of the installation location.

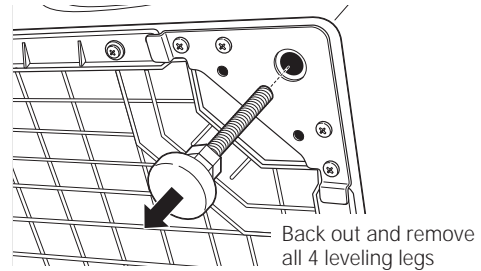
## INSTALLING THE STACK BRACKET KIT

### 1 REMOVE THE DRYER LEVELING LEGS

A. Carefully lay the dryer on its side. Use the packing material so you don't scratch the finish on the dryer.

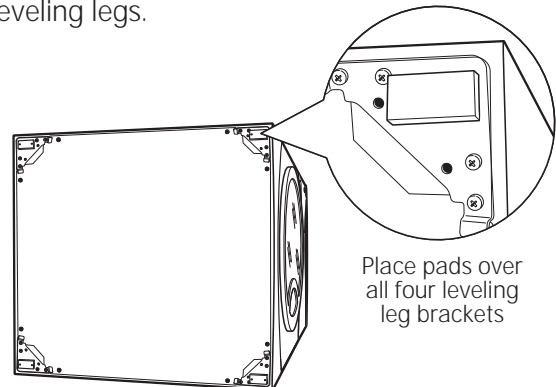


B. Use an open-end wrench or pliers to remove the dryer leveling legs.



### 2 INSTALL RUBBER PADS TO DRYER BASE

Locate the 4 rubber pads in the parts package. Remove the adhesive backing and firmly place over each bracket where you removed the leveling legs.





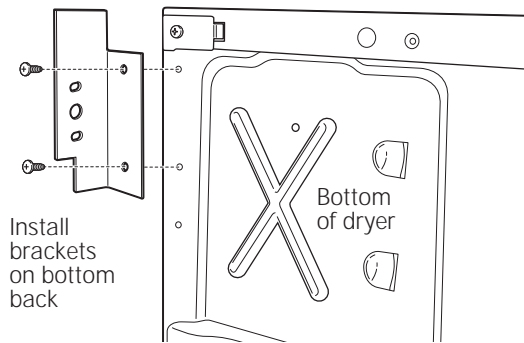
# Installation Instructions

## STACKING THE WASHER AND DRYER (if desired)

### 3 INSTALL BRACKET TO DRYER

- A. Align the holes in the left bracket with the holes in the bottom left corner of the dryer. Use a Phillips screwdriver to install the 2 #12 x 1" tapping screws.
- B. Repeat the above step with the right bracket on the bottom right corner of the dryer.
- C. Set the dryer upright.

**NOTE:** Make sure to set the dryer on a piece of packing material so the brackets that are attached to the bottom of the dryer do not damage the floor.



### 4 PREPARE WASHER AND DRYER

- A. Place the washer in the approximate location.
- B. Make sure the washer is level. Refer to washer Installation Instructions for details.
- C. Reverse dryer door swing if desired. See dryer Installation Instructions for details.
- D. Place the washer in the approximate location.

**NOTE:** The washer door swing is not reversible.

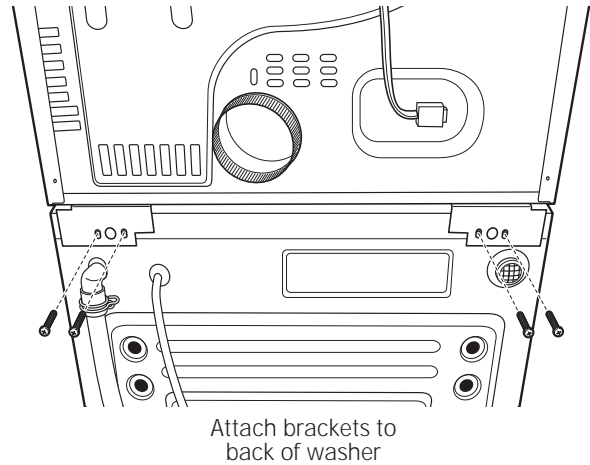
### 5 INSTALL DRYER AND BRACKET ON WASHER

- A. Lift the dryer on top of the washer. Be careful not to scratch the top of the washer with the brackets. Protect the washer control panel with cardboard or other protection. Be sure to lift the dryer high enough to clear the washer control panel.

More than two people are recommended to lift the dryer into position because of its weight and size. Failure to do so could result in personal injury or death.

### 5 INSTALL DRYER AND BRACKET ON WASHER (cont.)

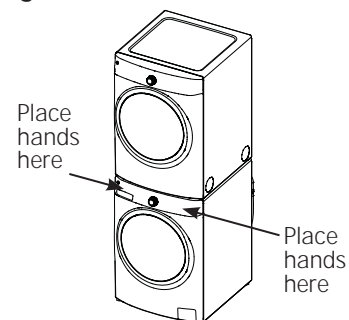
- B. Align the holes in the bracket with the holes in the back of the washer. Using a Phillips screwdriver, attach the 2 #8 x 1/2" tapping screws. Repeat on both sides of the washer.



### 6 FINALIZE THE INSTALLATION

- A. Refer to the washer Installation Instructions to complete the washer installation.
- B. Refer to the dryer Installation Instructions to complete the dryer installation.
- C. Carefully slide or walk the stacked washer and dryer into place. Use felt pads or other sliding device to assist moving and to protect flooring.

**Do not push on the dryer once installed to top of the washer. Pushing on the dryer may result in pinched fingers.**



## Before you call for service...



### Troubleshooting Tips

Save time and money! Review the charts on the following pages, or visit [GEAppliances.com](http://GEAppliances.com). You may not need to call for service.

<b>PROBLEM</b>	<b>Possible Causes</b>	<b>What To Do</b>
<i>Dryer shakes or makes noise</i>	Some shaking/noise is normal. Dryer may be sitting unevenly	<ul style="list-style-type: none"> <li>• Move dryer to an even floor space, or adjust leveling legs as necessary until even.</li> </ul>
<i>Clothes take too long to dry</i>	Improper or obstructed ducting	<ul style="list-style-type: none"> <li>• Check the Installation Instructions to make sure the dryer venting is correct.</li> <li>• Make sure ducting is clean, free of kinks and unobstructed.</li> <li>• Check to see if outside wall damper operates easily.</li> </ul>
	Improper sorting	<ul style="list-style-type: none"> <li>• Separate heavy items from lightweight items (generally, a well-sorted washer load is a well-sorted dryer load).</li> </ul>
	Large loads of heavy fabrics (like beach towels)	<ul style="list-style-type: none"> <li>• Large, heavy fabrics contain more moisture and take longer to dry. Separate large, heavy fabrics into smaller loads to speed drying time.</li> </ul>
	Controls improperly set	<ul style="list-style-type: none"> <li>• Match control settings to the load you are drying.</li> </ul>
	Lint filter is full	<ul style="list-style-type: none"> <li>• Clean lint filter before every load.</li> </ul>
	Blown fuses or tripped circuit breaker	<ul style="list-style-type: none"> <li>• Replace fuses or reset circuit breakers. Since most dryers use 2 fuses/breakers, make sure both are operating.</li> </ul>
	Overloading/combining loads	<ul style="list-style-type: none"> <li>• Do not put more than one washer load in the dryer at a time.</li> </ul>
	Underloading	<ul style="list-style-type: none"> <li>• If you are drying only one or two items, add a few items to ensure proper tumbling.</li> </ul>
<i>The Dry dryness level was chosen but load is still damp</i>	Load consists of a mixture of heavy and light fabrics	<ul style="list-style-type: none"> <li>• When combining heavy and light fabrics in a load, choose <b>More Dry</b>.</li> </ul>
	Exhaust system is blocked	<ul style="list-style-type: none"> <li>• Inspect and clean exhaust system.</li> </ul>
<i>Control buttons not responding</i>	Controls accidentally put in service mode	<ul style="list-style-type: none"> <li>• Press <b>Start/Pause</b>.</li> </ul>
	Controls accidentally put in lock mode	<ul style="list-style-type: none"> <li>• Hold the <b>Lock Control</b> button for 3 seconds to unlock the dryer.</li> </ul>
	Controls performed an incorrect operation	<ul style="list-style-type: none"> <li>• Reset the in-house breaker.</li> </ul>
<i>Dryer doesn't start</i>	Control panel is "asleep"	<ul style="list-style-type: none"> <li>• This is normal. Press <b>Power</b> to activate the control panel.</li> </ul>
	Dryer is unplugged	<ul style="list-style-type: none"> <li>• Make sure the dryer plug is pushed completely into the outlet.</li> </ul>
	Fuse is blown/circuit breaker is tripped	<ul style="list-style-type: none"> <li>• Check the building's fuse/circuit breaker box and replace fuse or reset breaker. <b>NOTE:</b> Electric dryers use two fuses or breakers.</li> </ul>
	Dryer was accidentally paused when starting Delay Dry	<ul style="list-style-type: none"> <li>• If the light on the <b>Start/Pause</b> button is flashing, the dryer is paused. Press <b>Start/Pause</b> to restart the countdown.</li> </ul>
<i>No numbers displayed during cycle, only lights</i>	Dryer is continuously monitoring the amount of moisture in the clothes	<ul style="list-style-type: none"> <li>• This is normal. When the dryer senses a low level of moisture in the load, the dryer will display the dry time remaining.</li> </ul>

## Before you call for service...

<i>PROBLEM</i>	<i>Possible Causes</i>	<i>What To Do</i>
<i>Time Remaining jumped to a lower number</i>	The estimated time may change when a smaller load than usual is drying	<ul style="list-style-type: none"> <li>This is normal.</li> </ul>
<i>Cannot make a selection and the dryer beeps twice</i>	The dryness Level, Temp or option that you are trying to select is incompatible with the chosen dry cycle	<ul style="list-style-type: none"> <li>This is normal.</li> </ul>
<i>Dryer is running but 00 is displayed in Time Remaining</i>	The Wrinkle Care option was chosen	<ul style="list-style-type: none"> <li>This is normal. During extended tumbling, the time remaining is not displayed. The extended tumbling option lasts approximately 60 minutes.</li> </ul>
<i>Clean Lint Filter (message)</i>	Power button was activated	<ul style="list-style-type: none"> <li>Press <b>Start/Pause</b> to begin a dry cycle and the message will disappear.</li> </ul>
<i>Dryer doesn't heat</i>	Fuse is blown/circuit breaker is tripped; the dryer may tumble but not heat	<ul style="list-style-type: none"> <li>Check the building's fuse/circuit breaker box and replace both fuses or reset both breakers. Your dryer may tumble if only one fuse is blown or one breaker tripped.</li> </ul>
	Gas service is off (gas models only)	<ul style="list-style-type: none"> <li>Make sure gas shutoff at dryer and main shutoff are fully open.</li> </ul>
	LP gas supply tank is empty or there has been a utility interruption of natural gas (gas models only)	<ul style="list-style-type: none"> <li>Refill or replace tank. Dryer should heat when utility service is restored.</li> </ul>
<i>Inconsistent drying times</i>	Type of heat	<ul style="list-style-type: none"> <li>Drying time will vary according to the type of heat used. If you recently changed from an electric to a gas (natural or LP) dryer, or vice versa, the drying time could be different.</li> </ul>
	Type of load and drying conditions	<ul style="list-style-type: none"> <li>The load size, types of fabric, wetness of clothes and the length and condition of the exhaust system will affect drying times.</li> </ul>
<i>Clothes are still wet and dryer shut off after a short time</i>	The door was opened mid-cycle. The load was then removed from the dryer and a new load put in without selecting a new cycle	<ul style="list-style-type: none"> <li>A dry cycle must be reselected each time a new load is put in.</li> </ul>
	Small load	<ul style="list-style-type: none"> <li>When drying 3 items or less, choose <b>Quick Dry</b> or <b>Time Dry</b>.</li> </ul>
	Load was already dry except for collars and waistbands	<ul style="list-style-type: none"> <li>Choose <b>Quick Dry</b> or <b>Time Dry</b> to dry damp collars and waistbands. In the future, when drying a load with collars and waistbands, choose <b>More Dry</b>.</li> </ul>
	Dryer is not level	<ul style="list-style-type: none"> <li>Move dryer to an even floor space or adjust leveling legs as necessary until even.</li> </ul>
<i>Clothes are wrinkled</i>	Overdrying	<ul style="list-style-type: none"> <li>Select a shorter drying time.</li> <li>Remove items while they still hold a slight amount of moisture. Select a <b>Less Dry</b> or <b>Damp</b> setting.</li> </ul>
	Letting items sit in dryer after cycle ends	<ul style="list-style-type: none"> <li>Remove items when cycle ends and fold or hang immediately, or use the <b>Wrinkle Care</b> option.</li> </ul>
	Overloading	<ul style="list-style-type: none"> <li>Separate large loads into smaller ones.</li> </ul>

## Before you call for service...

GEAppliances.com

<i>PROBLEM</i>	<i>Possible Causes</i>	<i>What To Do</i>
<i>Clothes shrink</i>	Some fabrics will naturally shrink when washed. Others can be safely washed, but will shrink in the dryer.	<ul style="list-style-type: none"> <li>To avoid shrinkage, follow garment care labels exactly.</li> <li>Some items may be pressed back into shape after drying.</li> <li>If you are concerned about shrinkage in a particular item, do not machine wash or tumble dry it.</li> </ul>
<i>Greasy spots on clothes</i>	Improper use of fabric softener	<ul style="list-style-type: none"> <li>Follow directions on fabric softener package.</li> </ul>
	Drying dirty items with clean ones	<ul style="list-style-type: none"> <li>Use your dryer to dry only clean items. Dirty items can stain clean items and the dryer.</li> </ul>
	Clothes were not completely clean	<ul style="list-style-type: none"> <li>Sometimes stains which cannot be seen when the clothes are wet appear after drying. Use proper washing procedures before drying.</li> </ul>
<i>Lint on clothes</i>	Lint filter is full	<ul style="list-style-type: none"> <li>Clean lint screen before each load.</li> </ul>
	Improper sorting	<ul style="list-style-type: none"> <li>Sort lint producers (like chenille) from lint collectors (like corduroy).</li> </ul>
	Static electricity can attract lint	<ul style="list-style-type: none"> <li>See suggestions in this section under <i>Static occurs</i>.</li> </ul>
	Overloading	<ul style="list-style-type: none"> <li>Separate large loads into smaller ones.</li> </ul>
	Paper, tissue, etc., left in pockets	<ul style="list-style-type: none"> <li>Empty all pockets before laundering clothes.</li> </ul>
<i>Static occurs</i>	No fabric softener was used	<ul style="list-style-type: none"> <li>Try a fabric softener.</li> <li>Bounce® Fabric Conditioner Dryer Sheets have been approved for use in all GE Dryers when used in accordance with the manufacturer's instructions.</li> </ul>
	Overdrying	<ul style="list-style-type: none"> <li>Try a fabric softener.</li> <li>Adjust setting to <i>Less Dry</i> or <i>Damp</i>.</li> </ul>
	Synthetics, permanent press and blends can cause static	<ul style="list-style-type: none"> <li>Try a fabric softener.</li> </ul>
<i>Collars and waistbands still wet at end of cycle</i>	The dryness monitor senses that the body of the clothes is dry	<ul style="list-style-type: none"> <li>Choose <i>Quick Dry</i> or <i>Time Dry</i> to dry damp collars and waistbands. In the future, when drying a load with collars and waistbands, choose <i>More Dry</i>.</li> </ul>
<i>Slight variation in metallic color</i>	This is normal	<ul style="list-style-type: none"> <li>Due to the metallic properties of paint used for this unique product, slight variations of color may occur due to viewing angles and lighting conditions.</li> </ul>
<i>Door is too foggy to see clothes during a steam cycle</i>	Steam condenses on inner door	<ul style="list-style-type: none"> <li>This is normal.</li> </ul>
<i>Water seen on inside of door and top of lint filter when opening door after steam cycle</i>	Steam condenses on these surfaces	<ul style="list-style-type: none"> <li>This is normal.</li> </ul>
<i>Small areas on clothes are damp after steam cycle</i>	Steam condenses on inner drum	<ul style="list-style-type: none"> <li>If using the <i>Steam Dewrinkle</i> cycle, manually reduce the cycle time. If using the <i>Steam Refresh</i> cycle, add more garments to the load.</li> </ul>

## Before you call for service...

<i>PROBLEM</i>	<i>Possible Causes</i>	<i>What To Do</i>
<i>Small amount of water on floor in front of dryer</i>	Inadequate load size for steam cycle selected, excess steam condenses inside cabinet and leaks out	<ul style="list-style-type: none"> <li>• If using the <i>Steam Dewrinkle</i> cycle, manually reduce the cycle time. If using the <i>Steam Refresh</i> cycle, add more garments to the load.</li> </ul>
<i>Water on floor in back of dryer</i>	Loose water hose connection to valve	<ul style="list-style-type: none"> <li>• Tighten connection.</li> </ul>
	Hose missing rubber washer at connection with valve	<ul style="list-style-type: none"> <li>• Install rubber washer provided with hose.</li> </ul>
<i>Dryer makes water noises</i>	Water valve is open filling steam generator	<ul style="list-style-type: none"> <li>• This is normal.</li> </ul>
	Steam generator is dispensing steam into drum	<ul style="list-style-type: none"> <li>• This is normal.</li> </ul>
<i>Water drips from door when opened after a Steam Cycle</i>	Steam condenses on inner door	<ul style="list-style-type: none"> <li>• This is normal.</li> </ul>
<i>Cannot see steam at beginning of cycle</i>	Steam released at different times in the cycle	<ul style="list-style-type: none"> <li>• This is normal.</li> </ul>
<i>Cannot see steam at any time during cycle</i>	The steam nozzle might be clogged with debris from your water supply	<ul style="list-style-type: none"> <li>• Call <b>800.GE.CARES</b> to order nozzle replacement kit <b>WE25M71</b> or to request a technician to replace this for you.</li> </ul>
<i>Garments still wrinkled after steam cycle</i>	Too many garments	<ul style="list-style-type: none"> <li>• Load fewer garments; manually increase time.</li> </ul>
<i>Dryer continues to tumble after display says Complete</i>	Wrinkle Care was selected	<ul style="list-style-type: none"> <li>• Ensure <i>Wrinkle Care</i> option is not selected. For the <i>Steam Refresh</i> cycle, <i>Wrinkle Care</i> will automatically be turned on and cannot be turned off.</li> </ul>

# GE Dryer Warranty.



All warranty service provided by our Factory Service Centers, or an authorized Customer Care® technician. To schedule service, on-line, visit us at [GEAppliances.com](http://GEAppliances.com), or call 800.GE.CARES (800.432.2737). In Canada, call 800.561.3344.

Please have serial number and model number available when calling for service.

Staple your receipt here. Proof of the original purchase date is needed to obtain service under the warranty.

## For The Period Of: We Will Replace:

### One Year

From the date of the original purchase

**Any part** of the dryer which fails due to a defect in materials or workmanship. During this **limited one-year warranty**, GE will also provide, **free of charge**, all labor and related service costs to replace the defective part.

## What Is Not Covered

- Service trips to your home to teach you how to use the product.
- Improper installation, delivery or maintenance.
- Failure of the product if it is abused, misused or used for other than the intended purpose or used commercially.
- Replacement of the light bulb after its expected useful life.
- Replacement of house fuses or resetting of circuit breakers.
- Damage to the product caused by accident, fire, floods or acts of God.
- Incidental or consequential damage caused by possible defects with this appliance.
- Damage caused after delivery.
- Product not accessible to provide required service.
- Defects or damage due to operation in freezing temperatures.
- Products which are not defective or broken, or which are working as described in the Owner's Manual.

**EXCLUSION OF IMPLIED WARRANTIES—Your sole and exclusive remedy is product repair as provided in this Limited Warranty. Any implied warranties, including the implied warranties of merchantability or fitness for a particular purpose, are limited to one year or the shortest period allowed by law.**

This warranty is extended to the original purchaser and any succeeding owner for products purchased for home use within the USA. If the product is located in an area where service by a GE Authorized Servicer is not available, you may be responsible for a trip charge or you may be required to bring the product to an Authorized GE Service location for service. In Alaska, the warranty excludes the cost of shipping or service calls to your home.

Some states do not allow the exclusion or limitation of incidental or consequential damages. This warranty gives you specific legal rights, and you may also have other rights which vary from state to state. To know what your legal rights are, consult your local or state consumer affairs office or your state's Attorney General.

In Canada, this warranty is extended to the original purchaser and any succeeding owner for products purchased in Canada for home use within Canada. In-home warranty service will be provided in areas where it is available and deemed reasonable by MC Commercial to provide.

**Warrantor: General Electric Company, Louisville, KY 40225**

**In Canada**

**Warrantor: MC Commercial, Burlington, ON L7R 5B6**

## Consumer Support.

---



### GE Appliances Website

**GEAppliances.com**

Have a question or need assistance with your appliance? Try the GE Appliances Website, any day of the year! For greater convenience and faster service, you can now download Owner's Manuals, order parts or even schedule service on-line. In Canada, visit [www.geappliances.ca](http://www.geappliances.ca)



### Schedule Service

**GEAppliances.com**

Expert GE repair service is only one step away from your door. Get on-line and schedule your service at your convenience any day of the year! Or call 800.GE.CARES (800.432.2737) during normal business hours. In Canada, call 800.561.3344 during normal business hours.



### Real Life Design Studio

**GEAppliances.com**

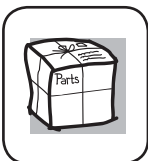
GE supports the Universal Design concept—products, services and environments that can be used by people of all ages, sizes and capabilities. We recognize the need to design for a wide range of physical and mental abilities and impairments. For details of GE's Universal Design applications, including kitchen design ideas for people with disabilities, check out our Website today. For the hearing impaired, please call 800.TDD.GEAC (800.833.4322). In Canada, call 800.561.3344



### Extended Warranties

**GEAppliances.com**

Purchase a GE extended warranty and learn about special discounts that are available while your warranty is still in effect. You can purchase it on-line anytime, or call 800.626.2224 during normal business hours. GE Consumer Home Services will still be there after your warranty expires. In Canada, consult your local listings for extended warranty providers.



### Parts and Accessories

**GEAppliances.com**

Individuals qualified to service their own appliances can have parts or accessories sent directly to their homes (VISA, MasterCard and Discover cards are accepted). Order on-line today, 24 hours every day or by phone at 800.626.2002 during normal business hours. In Canada, consult your local listings for your nearest authorized GE service parts dealer or call 800.661.1616

**Instructions contained in this manual cover procedures to be performed by any user. Other servicing generally should be referred to qualified service personnel. Caution must be exercised, since improper servicing may cause unsafe operation.**



### Contact Us

**GEAppliances.com**

If you are not satisfied with the service you receive from GE, contact us on our Website with all the details including your phone number, or write to:

General Manager, Customer Relations  
GE Appliances, Appliance Park  
Louisville, KY 40225

In Canada, write to;  
Director, Consumer Relations,  
MC Commercial  
1 Factory Lane, Suite 310  
Moncton, N.B. E1C 9M3



### Register Your Appliance

**GEAppliances.com**

**Register your new appliance on-line—at your convenience!** Timely product registration will allow for enhanced communication and prompt service under the terms of your warranty, should the need arise. You may also mail in the pre-printed registration card included in the packing material. In Canada, visit [www.geappliances.ca](http://www.geappliances.ca)

**Mesures de sécurité** ..... 26–28

### **Fonctionnement**

Panneau de contrôle.....28–32

Démarrage rapide .....29

Utilisation de la sècheuse .....32

Caractéristiques.....32

**Entretien et nettoyage**..... 33

### **Installation**

Inversion de l'ouverture  
de la porte .....34–37

Superposer la sècheuse  
à la laveuse .....40–42

**Conseils de dépannage**....43–46

### **Soutien au consommateur**

Garantie ..... 47

Soutien au consommateur ..... 48



**Inscrivez ici les numéros  
de modèle et de série :**

**Modèle N°** \_\_\_\_\_

**Série N°** \_\_\_\_\_

Ces informations figurent  
sur l'étiquette située à l'avant  
de la sècheuse, derrière la porte.





# CONSIGNES DE SÉCURITÉ IMPORTANTES.

## LISEZ TOUTES LES INSTRUCTIONS AVANT D'UTILISER VOTRE APPAREIL.


 Ceci est un symbole d'alerte de sécurité. Ce symbole prévient d'un risque mortel ou de blessures encouru par vous et d'autres personnes. Tous les messages de sécurité s'inscrivent à la suite du symbole d'alerte et du mot « DANGER », « AVERTISSEMENT » ou « MISE EN GARDE ». Ces mots sont associés aux définitions suivantes :

 **DANGER** Indique une situation dangereuse qui, si elle n'est pas évitée, causera des blessures sévères, voire la mort.

 **AVERTISSEMENT** Indique une situation dangereuse qui, si elle n'est pas évitée, peut causer des blessures sévères, voire la mort.

 **MISE EN GARDE** Indique une situation dangereuse qui, si elle n'est pas évitée, peut causer des blessures mineures ou modérément graves.

## INSTRUCTIONS DE SÉCURITÉ IMPORTANTES

 **AVERTISSEMENT** Pour réduire le risque d'incendie, d'explosion, de choc électrique ou de blessure aux personnes utilisant cet appareil, observez des précautions élémentaires dont les suivantes :

- Lisez toutes les instructions avant d'utiliser l'appareil.
- NE séchez PAS les articles qui ont été précédemment nettoyés, lavés, trempés ou détachés à l'aide d'essence, de solvants de nettoyage à sec ou d'autres substances inflammables ou explosives, puisqu'ils peuvent émettre des vapeurs susceptibles de s'enflammer ou d'exploser.
- N'autorisez PAS les enfants à jouer sur ou dans cet appareil. Une surveillance étroite est requise lorsque des enfants se trouvent à proximité de l'appareil en fonctionnement. Enlevez la porte de la sècheuse lorsque l'appareil est mis hors service ou au rebut.
- NE vous penchez PAS dans l'appareil lorsque le tambour est en rotation.
- N'installez PAS et ne rangez PAS cet appareil à un endroit exposé aux intempéries.
- NE modifiez PAS les commandes. réparez cet appareil, en totalité ou en partie, en remplacez une quelconque pièce, à moins que cela ne soit expressément recommandé dans les instructions d'entretien ou de réparation destinées à l'utilisateur dont vous avez une compréhension et une compétence suffisantes pour les appliquer.
- N'employez PAS de produits assouplissants NI d'agents antistatiques à moins que leur utilisation ne soit recommandée par leurs fabricants.
- N'utilisez PAS de chaleur pour sécher des articles qui contiennent du caoutchouc mousse ou des matières à texture caoutchouteuse similaire.
- Nettoyez la charpie avant et après chaque brassée. N'utilisez PAS la sècheuse sans que le filtre à charpie ne soit en place.
- Ne rangez pas de matières combustibles, de l'essence ni d'autres liquides inflammables à proximité de la sècheuse. Gardez la zone autour de l'ouverture d'évacuation et tout l'espace adjacent libres de charpie, de poussière et de saletés. Garder la zone de la sècheuse libre et dégagée de tout article pouvant nuire au débit de combustion et à la circulation d'air.
- L'intérieur de l'appareil et le tuyau d'évacuation doivent être nettoyés régulièrement par du personnel qualifié.
- NE placez PAS d'articles exposés aux huiles de cuisson dans la sècheuse. Les articles souillés par les huiles de cuisson peuvent faciliter des réactions chimiques susceptibles d'enflammer une brassée.
- Gardez la zone autour de l'appareil propre et sèche afin de réduire le risque de glissement.
- Débranchez l'appareil ou fermez le disjoncteur avant une réparation. Le fait d'appuyer sur le bouton Power (Alimentation) ou sur le bouton *Start/Pause* (Mise en marche/pause) NE coupe PAS l'alimentation électrique.
- NE faites PAS fonctionner cet appareil s'il est endommagé, ne fonctionne pas correctement, est en partie démonté, ou encore si des pièces sont manquantes ou abîmées, y compris le cordon électrique ou sa fiche.
- NE vaporisez AUCUN type d'aérosol dans, sur ou à proximité de la sècheuse, et ce en tout temps. N'utilisez AUCUN type de nettoyant en vaporisateur lorsque vous nettoyez l'intérieur de la sècheuse. Cela poserait un risque de vapeurs dangereuses ou de choc électrique.
- Consultez la section « Renseignements sur les raccords électriques » des instructions d'installation pour connaître la procédure de mise à la terre.

## CONSERVEZ CES INSTRUCTIONS

## AVERTISSEMENTS SUPPLÉMENTAIRES CONCERNANT LES SÈCHEUSES À GAZ

### **AVERTISSEMENT**

Pour votre sécurité, les instructions de ce manuel doivent être observées afin de minimiser le risque d'incendie ou d'explosion et de prévenir le risque de dommage, de blessure ou de décès.

- N'entreposez PAS et n'utilisez PAS d'essence NI d'autres vapeurs ou liquides inflammables dans les alentours de cet appareil ou de tout autre.
- QUE FAIRE SI UNE ODEUR DE GAZ EST DÉTECTÉE :
  - N'allumez AUCUN appareil.
  - NE touchez à AUCUN commutateur électrique ; n'utilisez AUCUN téléphone dans votre immeuble.
  - Faites évacuer la pièce, l'immeuble ou la zone de tous ses occupants.
  - Communiquez immédiatement avec votre fournisseur de gaz au moyen du téléphone d'un voisin. Observez les directives du fournisseur de gaz.
  - Si vous ne pouvez pas joindre votre fournisseur de gaz, appelez le service d'incendie.
- L'installation, l'entretien et les réparations doivent être exécutés par un installateur agréé, un organisme de service ou le fournisseur de gaz.

### *Avertissements de la Proposition 65 de l'État de la Californie*

La loi de la Californie relative à l'eau de consommation et aux substances toxiques (California Safe Drinking Water and Toxic Enforcement Act) exige que le gouverneur de la Californie publie une liste des substances reconnues par l'État pour causer le cancer, des anomalies congénitales ou d'autres problèmes liés à la reproduction, et aussi que les entreprises mettent en garde contre des expositions à de telles substances.

### **AVERTISSEMENT**

Ce produit contient une ou plusieurs substances chimiques reconnues par l'État de Californie pour causer le cancer, des anomalies congénitales ou d'autres problèmes liés à la reproduction.

Les appareils à gaz peuvent entraîner des expositions de faible intensité à certaines de ces substances, y compris au benzène, au monoxyde de carbone, au formaldéhyde et à la suie, en raison principalement d'une combustion incomplète du gaz naturel ou liquéfié. L'exposition à ces substances peut être réduite au minimum par la ventilation adéquate de la sècheuse vers l'extérieur.

**CONSERVEZ CES INSTRUCTIONS**

## À propos du panneau de contrôle de la sècheuse.

### ⚠ AVERTISSEMENT!

Pour réduire le risque d'incendie, de choc électrique ou de blessure, lisez les **IMPORTANTES CONSIGNES DE SÉCURITÉ** avant de faire fonctionner cet appareil.

### ⚠ AVERTISSEMENT



#### Risque d'explosion

Gardez les matières et les vapeurs inflammables telles que l'essence à distance de la sècheuse.

NE séchez AUCUN article qui a déjà reçu une matière inflammable (même après le lavage).

Le non-respect de ces instructions pourrait entraîner la mort, l'explosion ou l'incendie.

### ⚠ AVERTISSEMENT



#### Risque d'incendie

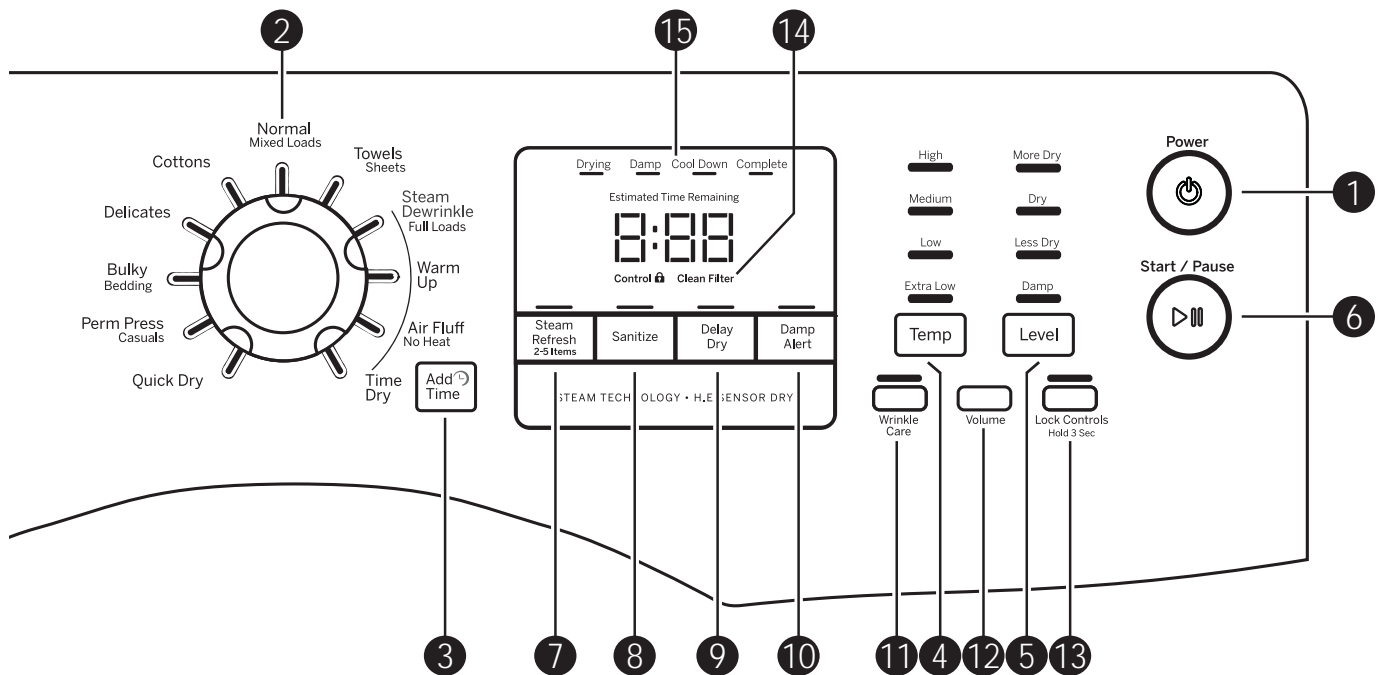
Aucune laveuse ne peut éliminer l'huile totalement.

NE séchez AUCUN article qui a déjà reçu un type d'huile quelconque (y compris les huiles de cuisson).

Les articles qui comportent de la mousse, du caoutchouc ou du plastique doivent sécher sur une corde à linge ou au moyen du cycle Sécher à l'air.

Le non-respect de ces instructions pourrait entraîner un décès ou un incendie.

Dans ce manuel, les commandes et l'aspect des éléments peuvent différer de votre modèle.



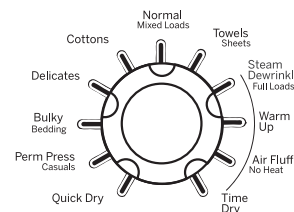
## Démarrage rapide

- 1 Appuyez sur le bouton **Power** (Alimentation).



Si l'écran est obscur, appuyez sur le bouton **Power** (Alimentation) pour activer l'afficheur.

- 2 Sélectionnez le cycle de séchage. (Des réglages par défaut sont établis pour chaque lavage. Ces réglages peuvent être modifiés. Consultez la section **Réglages des contrôles** pour de plus amples informations).



- 3 Appuyez sur le bouton **Start/Pause** (Marche/pause).



## 1 Power (Alimentation)

Appuyez sur cette touche pour « allumer » l'écran. Si l'écran est actif, appuyez pour éteindre la sècheuse.

**REMARQUE:** Le fait d'appuyer sur **Power** (Alimentation) ne coupe pas l'alimentation électrique à l'appareil.


## 2 Cycles de séchage

Le cycle de séchage contrôle la durée du processus de séchage. Le tableau ci-dessous vous aidera à trouver le bon réglage de séchage en fonction de votre brassée.


<b>Normal/Mixed Loads</b> (Charge normale/mixte)	Pour les brassées constituées de cotons et de mélanges de polyester.
<b>Cottons (Cotons)</b>	Pour les cotons et la plupart des articles en toile.
<b>Delicates (Déliçats)</b>	Pour la lingerie et les tissus déliçats.
<b>Bulky/Bedding</b> (Lingerie volumineuse)	Pour manteaux grand format, jetés de lit, housses à matelas, sacs de couchage, couvertures, douillettes, blousons, carpettes et autres articles volumineux.
<b>Perm Press/Casuals</b> (Perma Press/Tout-aller)	Pour les vêtements de sports, d'exercice et certains vêtements décontractés. Les tissus bénéficient de finitions en nouvelle technologie et sont composés de fibres élastiques comme le Spandex. Aussi pour vêtements étiquetés Sans repassage (Easy Care) ou Infroissable (Perma Press) : Pour les articles qui ne nécessitent pas de repassage.
<b>Quick Dry</b> (Séchage rapide)	Pour les petites brassées qui doivent être séchées rapidement, comme les tenues de sport ou les uniformes d'école. Ce cycle peut aussi être utilisé si le cycle précédent a laissé quelques articles encore humides, comme des cols ou des ceintures.
<b>Towels/Sheets</b> (Serviettes/draps)	Pour serviettes <b>OU</b> draps. Il n'est <b>pas</b> recommandé de mélanger serviettes <b>et</b> draps dans la même brassée.
<b>Steam Dewrinkle/</b> Full Loads (Défroissage à vapeur/ Pleines charges)	Fournit 20 minutes de séchage à vapeur pour aider à défroisser les vêtements. Idéal pour des brassées de vêtements qui ont été laissées dans la sècheuse pendant une longue période de temps.
<b>Warm Up</b> (Réchauffage)	Fournit 10 minutes de réchauffage des vêtements.
<b>Air Fluff/No Heat</b> (Air froid/Sans chaleur)	Fournit 10 minutes de temps de culbutage sans chaleur.
<b>Time Dry</b> (Séchage minuté)	Cette commande permet de définir son propre temps de séchage. La fonction <b>Time Dry</b> (Séchage minuté) est aussi recommandée pour les petites brassées. Pour utiliser : 1. Tournez le cadran du cycle de séchage sur <b>Time Dry</b> . 2. Augmentez le temps de séchage en appuyant sur le bouton <b>Add Time</b> (Prolongation). <b>Remarque :</b> Ce bouton ne fait qu'ajouter du temps. Une fois la durée maximale atteinte, une nouvelle pression sur le bouton remettra la minuterie à la valeur la moins élevée. 3. Sélectionnez la température de séchage ( <b>Temp</b> ). 4. Fermez la porte. 5. Appuyez sur <b>Start/Pause</b> (Mise en marche/pause).

# Réglage des contrôles.

**3**  **Add Time (Prolongation)**  
 Appuyez sur ce bouton pour prolonger la durée des cycles **Steam Dewrinkle** (Vapeur défroissage), **Warm Up** (Préchauffage), **Air Fluff** (Air froid) ou **Time Dry** (Séchage minuté) par incréments de 10 minutes.


**4**  **Temp (Température)**  
 Vous pouvez modifier la température de votre cycle de séchage.


<b>High (Haute)</b>	Pour les cotons normaux à lourds.
<b>Medium (Moyenne)</b>	Pour les synthétiques, les mélanges et les articles étiquetés sans repassage.
<b>Low (Basse)</b>	Pour les tissus délicats, synthétiques et les articles étiquetés Tumble Dry Low (séchage par culbutage à basse température).
<b>Extra Low (Extra basse)</b>	Pour la lingerie et les tissus délicats.

**5**  **Level (Niveau)**  
 Le détecteur surveille en permanence le niveau d'humidité dans le linge. Quand l'humidité dans vos vêtements atteint le niveau de séchage que vous avez choisi, la sècheuse s'arrête.


**REMARQUE :** La détection du niveau d'humidité fonctionne seulement pour les cycles **Cottons** (Coton), **Normal** (Charge normale), **Active Wear** (Vêtements de sport), **Delicates** (Déliçats), **Quick Dry** (Séchage rapide), **Bulky** (Lingerie volumineuse), **Towels/Sheets** (Serviettes/draps), **Sanitize** (Sanitize) et **Steam Dewrinkle** (Vapeur défroissage).

<b>More Dry (Plus sec)</b>	Utilisé pour les types de tissus lourds ou mélangés.
<b>Dry (Sec)</b>	Utilisé pour un niveau de séchage normal adapté à la plupart des brassées. C'est le cycle recommandé pour un fonctionnement en économie d'énergie.
<b>Less Dry (Moins sec)</b>	Utilisé pour les tissus plus légers (idéal pour le repassage).
<b>Damp (Humide)</b>	Pour laisser les articles partiellement humides.

**6**  **Start/Pause (Marche/Pause)**  
 Appuyez sur cette touche pour lancer un cycle de séchage. Si la sècheuse est déjà en fonctionnement, le fait d'appuyer sur cette touche interrompt le cycle en cours. Appuyez encore sur la touche pour reprendre le cycle de séchage.

**7**  **Steam Refresh Cycle (Vapeur rafraîchissante)**  
 Pour des vêtements secs légèrement froissés. Réduit de façon significative les plis sur 5 vêtements. Après le cycle **Steam Refresh** (Vapeur rafraîchissante), l'unité émettra un bip et affichera 0 :00. Si l'unité n'est pas fermée ou si la porte n'est pas ouverte, la sècheuse continuera le culbutage pendant 30 minutes. À la fin des 30 minutes, il sera affiché 0 :00 et cycle terminé.

**REMARQUE:** Un seul article de tissu extrêmement léger peut nécessiter d'ajouter un article supplémentaire pour atteindre des résultats optimaux.

**8**  **Sanitize (Aseptisation)**  
 Réduit certains types de bactéries de 99.8 %, notamment : Staphylococcus aureus, Pseudomonas aeruginosa et Klebsiella pneumoniae. Le traitement antibactérien survient lorsqu'une chaleur élevée est appliquée durant une partie du cycle de séchage.

**NOTE:** Ne pas utiliser ce cycle avec des vêtements délicats.\* Le cycle **Aseptisation** est certifié par NSF International selon le protocole NSF P154 sur la performance d'aseptisation des sècheuses résidentielles.

Protocole NSF P154  
 Performance d'aseptisation  
 des sècheuses résidentielles.

9



### Delay Dry (Séchage en différé)

Utilisez pour retarder le démarrage de votre sècheuse.

1. Sélectionnez votre cycle de séchage et toutes les options.
2. Appuyez sur **Delay Dry** (Séchage en différé). Vous pouvez changer le délai d'attente par intervalles de 1 heure en utilisant le bouton **Delay Dry** (Séchage en différé).

3. Appuyez sur le bouton **Start/Pause** (Mise en Marche/Pause) pour lancer le compte à rebours.

**REMARQUES:** Si la porte est ouverte alors que la sècheuse est en mode **Delay Dry** (Séchage en différé), le compte à rebours ne redémarrera pas sauf si la porte est fermée et que le bouton **Delay Dry** (Séchage en différé) est à nouveau enfoncée.

10



### Damp Alert (Alerte d'humidité)

Cette option fait sonner la sècheuse quand les vêtements ont été séchés jusqu'à un certain niveau d'humidité. Retirez les articles que vous souhaitez étendre pour sécher. **Damp Alert** (L'Alerte d'humidité) émet un bip lorsque cette option est sélectionnée, et la sècheuse continuera à sécher.

Le fait de retirer les vêtements et les étendre quand ils sont humides peut diminuer le besoin de repasser certains articles.

11



### Ext Tumble/Wrinkle Care (Soins +)

Réduit les faux plis au maximum en ajoutant environ 60 minutes de culbutage sans chaleur une fois que les vêtements sont secs. L'avertisseur se fera entendre toutes les cinq minutes pour rappeler de retirer les vêtements ou autres textiles.

L'affichage du temps restant estimé indiquera « 0:00 ».

La prolongation du temps de culbutage ne s'ajoute pas à la durée de cycle affichée.

12



### Volume

Signale la fin d'un cycle. L'avertisseur se fera entendre à toutes les minutes pour les prochaines 5 minutes, jusqu'à ce que les vêtements soient retirés. Il est préférable de retirer les vêtements suite à l'alerte pour éviter la formation de plis.

Appuyez sur **Volume** (Volume) pour régler l'intensité (low/medium/high - bas/moyen/élevé), ou pour éteindre l'avertisseur.

Afin d'allumer ou d'éteindre le son des boutons lorsqu'appuyés, appuyez et maintenez le bouton **Volume** pendant 3 secondes.

13



### Lock Control (Verrouillage de contrôle)

Vous pouvez verrouiller les contrôles pour empêcher tout choix de cycle, ou vous pouvez verrouiller les contrôles après avoir commencé un cycle.

Les enfants ne peuvent pas mettre accidentellement en marche la sècheuse en appuyant sur des touches quand vous choisissez cette option.

Pour verrouiller les contrôles de la sècheuse, appuyez sur le bouton **Lock Control** (Verrouillage de contrôle) et tenez-la appuyée pendant 3 secondes.

Pour déverrouiller les contrôles de la sècheuse, appuyez sur le bouton **Lock Control** (Verrouillage de contrôle) et tenez-la appuyée pendant 3 secondes.

Un son retentit pour indiquer l'état verrouillé/déverrouillé.

Le témoin au-dessus du bouton s'allumera une fois les commandes verrouillées.

**NOTE :** Vous pouvez encore utiliser le bouton **Power** (Alimentation) quand la machine est verrouillée.

14

Clean Filter

### Message de filtre à nettoyer

Ce message se veut seulement un rappel et il n'apparaît **pas** toujours lorsque le filtre nécessite un nettoyage. Le filtre devrait être nettoyé après chaque cycle de séchage.

Une pression sur le bouton **Start/ Pause** (Mise en marche/pause) fera disparaître le message. Même si le filtre a déjà été nettoyé (avant ou après avoir appuyé sur le bouton **Power** (Alimentation)), le message « **Clean Filter** » (Nettoyer le filtre) ne disparaîtra que sur pression du bouton **Start/ Pause** (Mise en marche/pause).

15



### Écran

Affiche le temps restant approximatif jusqu'à la fin du cycle.

Au début du cycle, vous verrez la durée totale approximative du cycle sur l'afficheur.

Puis les témoins vont se mettre à « courser » sur l'afficheur. Cela indique que la sècheuse surveille constamment le niveau d'humidité de la brassée. Les témoins continueront de s'activer jusqu'à ce que la sècheuse détecte un bas niveau d'humidité dans la brassée. À ce stade, la sècheuse calculera et affichera le temps restant approximatif.

# Utilisation de la sècheuse.















Suivez toujours l'étiquette du fabricant de tissus pour laver.



## Étiquettes d'entretien de tissu

Ci-dessous figurent les « symboles » des étiquettes d'entretien de tissu qui concernent le linge à sécher.

### SÉCHAGE

<b>Séchage par culbutage</b>	 Séchage	 Normal	 Tissus à pressage permanent/ infroissables	 Doux/tissus-déliçats	 Ne pas sécher par culbutage	 Ne pas sécher (utilisé avec « Ne pas laver »)
<b>Réglage de température</b>	 Max.	 Moyen	 Min.	 Pas de chaleur/d'air		
<b>Instructions spéciales</b>	 Sécher sur corde/ suspendre pour sécher	 Sécher par égouttage	 Sécher à plat	 À l'ombre		



## Conseils pour le tri et le chargement

En règle générale, lorsque les vêtements sont correctement triés pour le lavage, ils le sont aussi pour le séchage. Essayez aussi de trier les articles en fonction de leur taille. Par exemple, ne séchez pas un drap avec des chaussettes ou d'autres petits articles.

N'ajoutez pas votre feuille d'assouplissant textile lorsque la brassée a commencé à chauffer, car elle risque de provoquer des taches d'assouplissant. Les feuilles d'assouplissant de tissus Bounce<sup>MD</sup> pour sècheuses ont été approuvées pour cette sècheuse si elles sont utilisées conformément aux instructions du fabricant.

**Ne surchargez pas.** Ceci consomme inutilement de l'énergie et cause des faux plis.

**Extérieur de la sècheuse :** Essuyez ou époussetez tout déversement ou produit de lavage avec un chiffon humide. Le panneau de commande de la sècheuse peut être endommagé par certains détergents et produits détachants. Appliquez ces produits loin de la sècheuse. Le tissu peut ensuite être lavé et séché normalement. Les dommages causés par ces produits ne sont pas couverts par la garantie de votre sècheuse.

**Filtre à charpie :** Nettoyez le filtre à charpie avant chaque utilisation.

Tirez le filtre à charpie. Mouillez vos doigts et retirez la charpie. Une fois qu'il a été nettoyé, glissez le filtre dans sa position. Demandez à un technicien qualifié d'aspirer la charpie de la sècheuse une fois par année.

**N'UTILISEZ JAMAIS LA SÈCHEUSE SANS FILTRE.**

**Acier inoxydable :** Pour nettoyer les surfaces en acier inoxydable, utilisez un chiffon humide et un détergent doux non abrasif convenant aux surfaces en acier inoxydable. Retirez les résidus de produit nettoyant, puis séchez-les avec un chiffon propre.

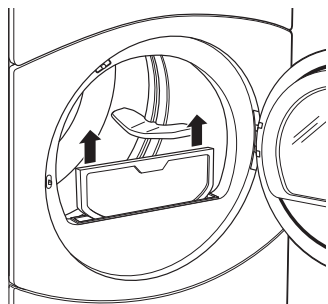
L'acier inoxydable utilisé pour la fabrication du tambour de la sècheuse vous offre la meilleure fiabilité possible dans une sècheuse GE. Si le tambour de la sècheuse venait à être marqué ou rayé en cours d'usage normal, il ne rouillerait pas. Ces dommages superficiels n'affecteront pas sa durabilité ni son fonctionnement.

**Intérieur et conduit de la sècheuse**

: L'intérieur de l'appareil et le conduit d'évacuation doivent être généralement confiés à un technicien qualifié.

**Conduit d'évacuation :** Inspectez et nettoyez le conduit d'évacuation au moins une fois par année afin d'éviter qu'il se bouche. La durée de séchage peut être augmentée lorsque l'évacuation est bouchée.

**Hotte d'évacuation :** Vérifiez avec un miroir que les battants intérieurs se déplacent sans difficulté au cours de l'utilisation. Vérifiez qu'il n'y a pas d'animaux ou d'insectes qui ont fait leur nid dans le conduit ou la hotte.

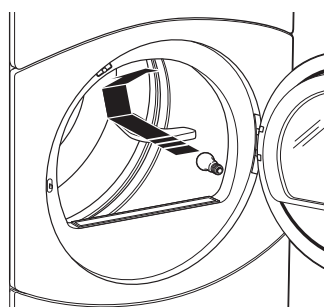


## Éclairage du tambour

L'éclairage du tambour s'allume automatiquement lorsque la porte est ouverte.

Avant de remplacer l'ampoule, assurez-vous de débrancher le cordon d'alimentation de la sècheuse ou de déconnecter la sècheuse du tableau de distribution de votre domicile (fusible ou disjoncteur). Penchez-vous au-dessus de l'ouverture de la sècheuse vers l'intérieur du tambour. Retirez l'ampoule et remplacez-la avec une ampoule de même format.

Commandez en ligne une ampoule de rechange **WE4M305** sur [www.electromenagersge.ca](http://www.electromenagersge.ca), par téléphone au **1-800.561.3344** durant les heures normales d'affaire, ou procurez-vous une ampoule modèle **7C7** chez votre détaillant.





# Instructions d'installation

## INVERSION DE L'OUVERTURE DE LA PORTE (optionnel)

### REMARQUES IMPORTANTES

- Lisez l'ensemble des instructions avant de commencer.
- Manipulez les pièces avec soin afin d'éviter d'abîmer la peinture.
- Posez les vis à côté de leurs pièces respectives afin d'éviter de les utiliser aux mauvais endroits.
- Prévoyez une surface non abrasive pour les portes.
- La procédure d'inversion de l'ouverture de la porte dure de 30 à 60 minutes.

**IMPORTANT:** Après avoir commencé, ne déplacez pas la sècheuse avant que l'inversion de l'ouverture de la porte n'ait été effectuée.

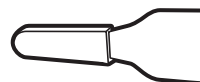
Ces instructions permettent de transférer les charnières du côté droit vers le côté gauche. Si vous souhaitez les réinstaller du côté droit, veuillez suivre ces mêmes instructions et inversez toutes les références aux termes gauche et droite.

### OUTILS NÉCESSAIRES

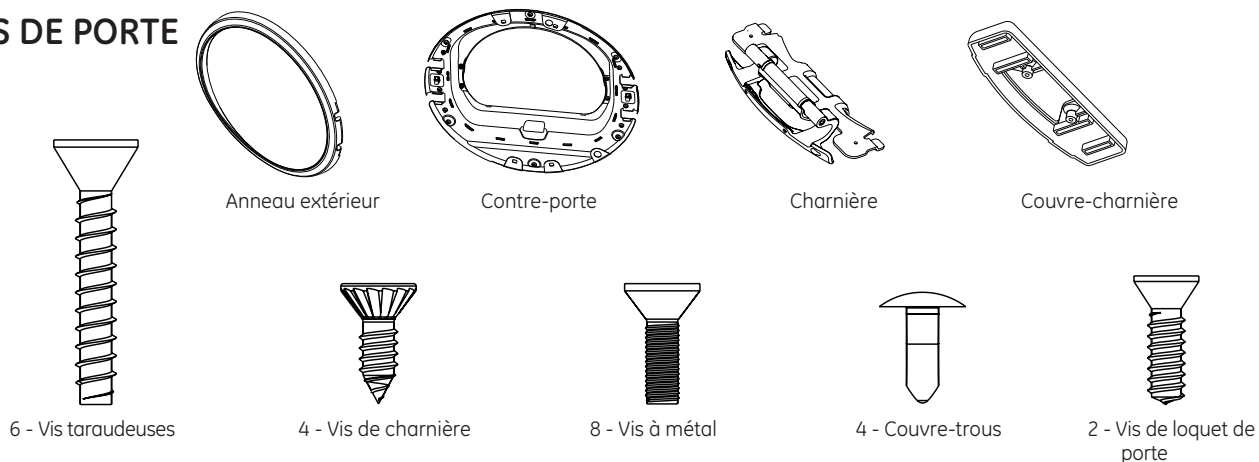
- ☐ Tournevis cruciforme



- ☐ Couteau à mastic ou tournevis fin

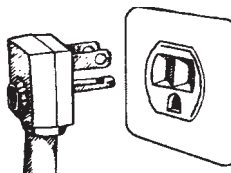


### PIÈCES DE PORTE



### AVANT DE COMMENCER

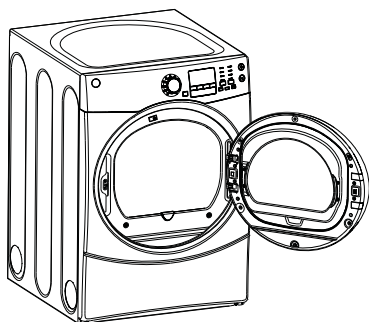
Débranchez la sècheuse de sa prise électrique.



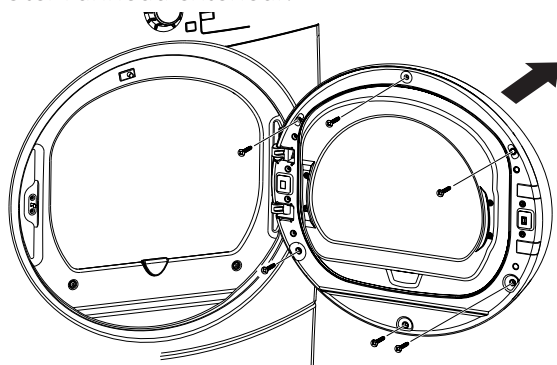
# Instructions d'installation

## 1 ENLÈVEMENT DE LA PORTE

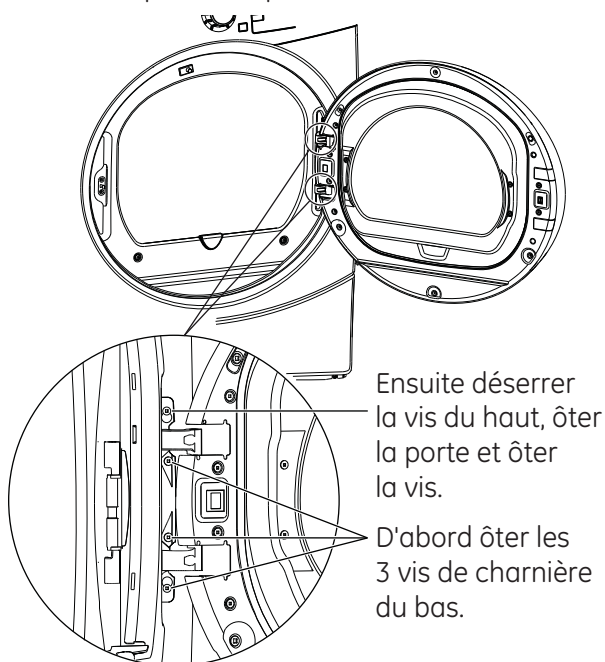
A. Ouvrez la porte à un angle de 130 degrés approximativement.



B. Retirez les 6 vis taraudeuses autour de la porte. Ôter l'anneau extérieur.



C. Ôter les 3 vis de charnière en allant du bas vers le haut. Assurez-vous que la porte est soutenue pendant que vous retirez les vis.

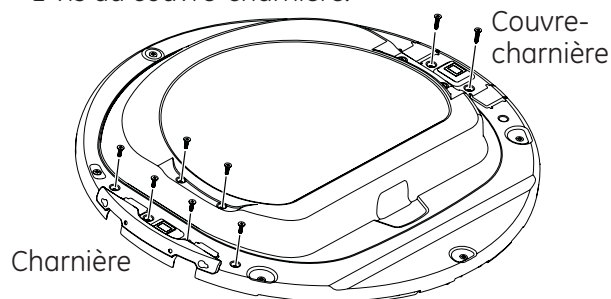


D. Desserrez la vis supérieure comme indiqué. Décrochez la porte en la soulevant et en la tirant. Ôter la vis du haut.

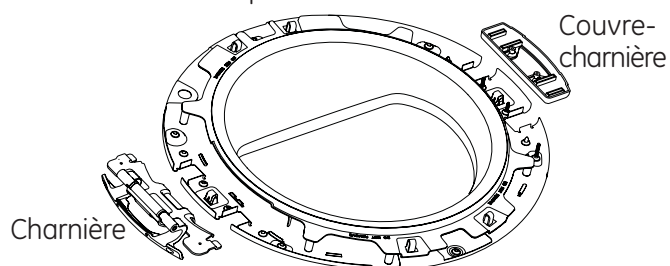
## 2 RETIRER LA CHARNIÈRE ET LE COUVRE-CHARNIÈRE

**IMPORTANT :** Prenez note de la position de la charnière (gauche ou droite) avant l'enlèvement.

A. Ôter les 6 vis à métal de la charnière et les 2 vis du couvre-charnière.

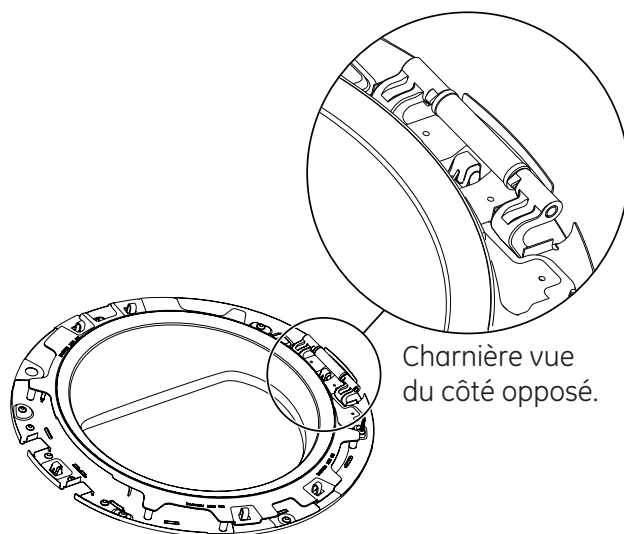


B. Une fois les vis retirées, tournez la porte et séparez la porte extérieure et le couvre-charnière du cadre de la porte et mettez-les de côté.



## 3 RÉINSTALLATION DE LA CHARNIÈRE

A. Placer la charnière sur l'autre côté de la porte, tel qu'illustré. Poussez la charnière jusqu'à ce que ses trous soient alignés avec les trous de la porte.

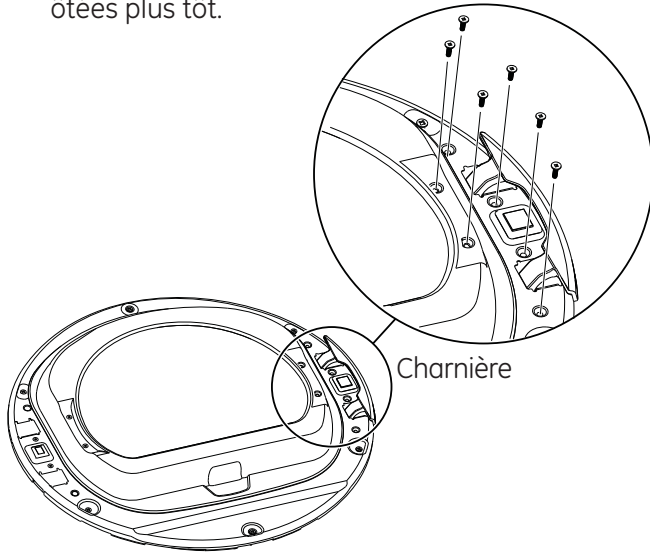


# Instructions d'installation

## INVERSION DE L'OUVERTURE DE LA PORTE (optionnel) (suite)

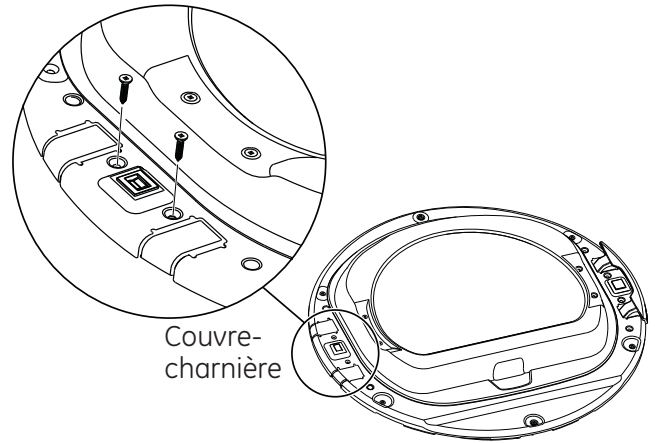
### 3 RÉINSTALLATION DE LA CHARNIÈRE (suite)

- B. Tenez la charnière en place et retourner la porte. Installez la charnière en utilisant les 6 vis à métal ôtées plus tôt.



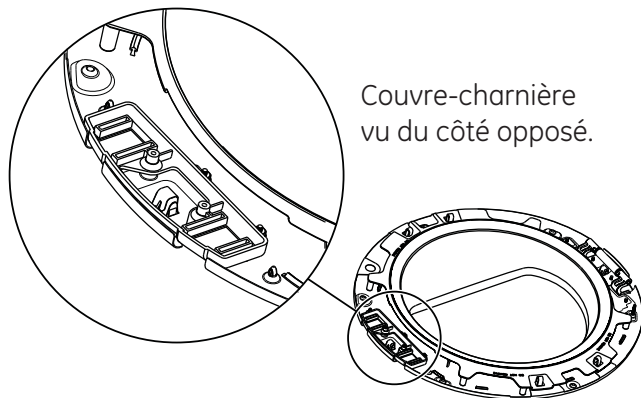
### 4 RÉINSTALLATION DU COUVRE-CHARNIÈRE (suite)

- B. Tenez le couvre-charnière en place et retourner la porte. Installez le couvre-charnière en utilisant les 6 vis à metal ôtées plus tôt.



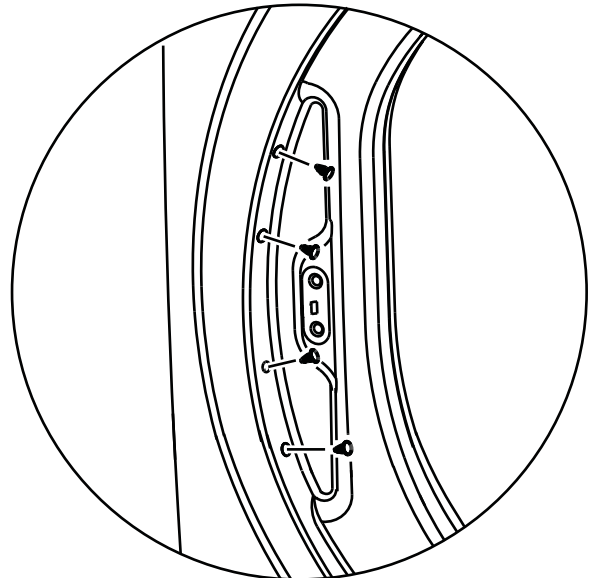
### 4 RÉINSTALLATION DU COUVRE-CHARNIÈRE

- A. Renversez la porte et placez le couvre-charnière du côté opposé de la porte tel que ci-dessous. Alignez les trous du couvre-charnière avec les trous de la porte.



### 5 DÉPLACER LE SUPPORT PROTECTEUR

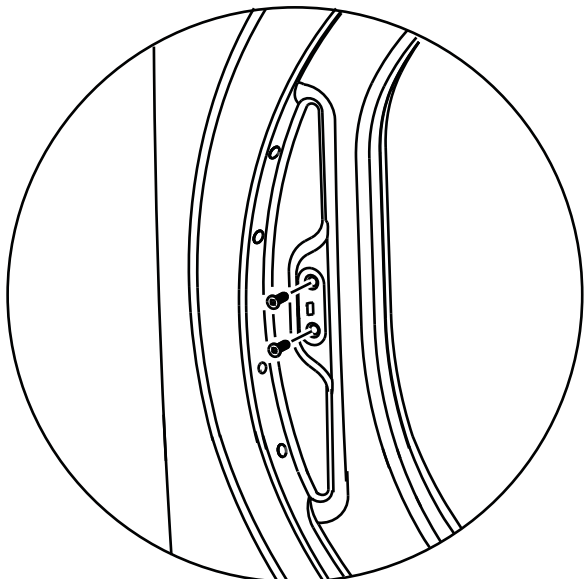
- A. À l'aide d'un couteau à mastic ou de tout autre outil plat, retirez les 4 boutons situés sur la sècheuse et installez-les sur l'autre côté.



# Instructions d'installation

## 5 DÉPLACER LE SUPPORT PROTECTEUR (suite)

- B. Déplacez le support protecteur et sa protection de l'autre côté en retirant les vis. Réinstallez-les sur l'autre côté.

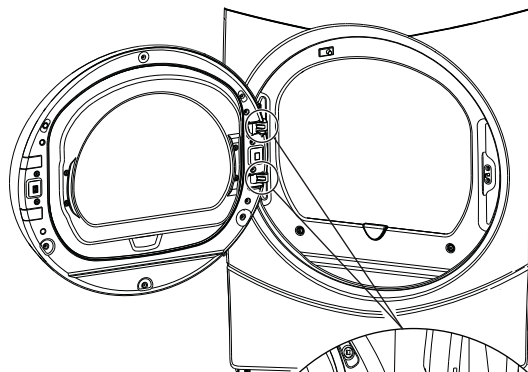


## 6 RÉINSTALLATION DE LA PORTE

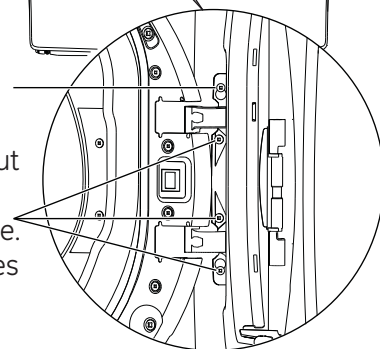
- A. Installez la porte sur la sècheuse. Pour faciliter cette étape, la charnière est dotée de fentes qui permettent d'utiliser les vis partiellement vissées comme crochets.

Vissez partiellement une vis dans le trou de vis supérieur. Accrochez la porte sur la vis partiellement vissée.

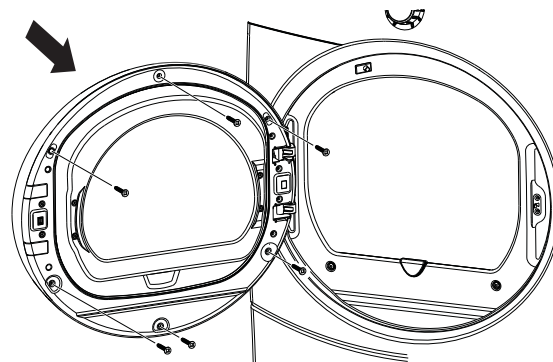
Serrez la charnière en installant les 4 autres vis et en serrant la vis qui a été partiellement vissée lors de l'étape précédente.



D'abord installez partiellement la vis de charnière du haut sur la sècheuse et y suspendre la porte. Ensuite y fixer toutes les vis.



- B. Alignez l'anneau extérieur dans la porte et vissez les 6 vis taraudeuses situées au long du périmètre de la porte autour du joint d'étanchéité.



# Notes

---

# Notes

---

# Instructions d'installation

## COMMENT SUPERPOSER LA SÉCHEUSE À LA LAVEUSE (optionnel)

### AVANT DE COMMENCER

Lisez ces instructions entièrement et soigneusement.

- **IMPORTANT** – Conservez ces instructions pour l'inspecteur local.
- **IMPORTANT** – Observez tous les codes et les ordonnances en vigueur.
- **Note à l'installateur** – Assurez-vous de laisser ces instructions au consommateur.
- **Note au consommateur** – Conservez ces instructions à titre de référence.
- L'installation de la sècheuse **doit** être effectuée par un installateur qualifié.
- L'installateur est responsable de bien installer cet appareil.

- Coupez l'alimentation électrique avant de procéder à l'installation. Vous risquez de vous blesser gravement si vous ne le faites pas.

### **AVERTISSEMENT** - Risque lié au poids excessif

La participation de deux personnes ou plus est nécessaire pour installer la sècheuse.

L'omission de prendre cette précaution peut causer une blessure au dos ou à une autre partie du corps.

- Évitez le basculement et le débranchement des services publics. La sècheuse doit être correctement fixée à la laveuse. NE placez PAS la laveuse au dessus de la sècheuse. Vous risquez de vous blesser gravement, voire mortellement ou des dommages matériels si vous ne tenez pas compte de cette recommandation.
- Maison mobile ou préfabriquée Installation – La superposition d'une sècheuse au gaz dans une maison mobile ou préfabriquée n'est pas autorisée.

### DÉGAGEMENTS MINIMUMS AUTRES QUE POUR UNE INSTALLATION ENCASTRÉE

Les dégagements minimums par rapport aux surfaces inflammables et pour l'orifice d'aération sont les suivants : 0 po des deux côtés, 75 mm (3 po) à l'avant/à l'arrière et 25 mm (1 po) haut. Veillez à prévoir des dégagements suffisants pour toute installation et réparation.

### EXIGENCES RELATIVES À UNE INSTALLATION ENCASTRÉE

- Votre sècheuse a été conçue pour être installée dans une alcôve ou un placard, comme l'indique une étiquette figurant sur l'arrière de la sècheuse.
- L'air de la sècheuse DOIT être évacué vers l'extérieur. Se reporter au chapitre ÉVACUATION DE LA SÉCHEUSE.
- L'espace minimum entre la carrosserie de la sècheuse et les murs adjacents ou d'autres surfaces :
  - 0 mm (0 po) des deux côtés
  - 75 mm (3 po) avant et arrière
- Distance verticale minimum du sol aux étagères suspendues, armoires, plafonds, etc. de 132 cm (52 po).
- Les portes du placard doivent être perforées ou bien ventilées et disposer d'au moins 150 cm<sup>2</sup> (60 pouces carrés) d'espace ouvert réparti de façon homogène. Si le placard abrite une laveuse et une sècheuse, les portes doivent disposer de 3 m<sup>2</sup> (120 pouces carrés) au minimum d'espace ouvert réparti de façon homogène.
- L'air du placard doit être évacué vers l'extérieur afin d'éviter la formation de poches de gaz si le tuyau d'alimentation de gaz transporte du gaz.
- Aucun autre appareil à combustible ne doit être installé dans le même placard que la sècheuse (modèles fonctionnant au gaz uniquement).

**REMARQUE:** SI LE TUYAU D'ÉVACUATION EST SITUÉ À L'ARRIÈRE DE LA SÉCHEUSE, L'ESPACE MINIMUM PAR RAPPORT AU MUR EST DE 14 cm (5,5 POUCES).

### ENSEMBLE DE SUPERPOSITION GE

Commandez en ligne sur [www.electromenagersge.ca](http://www.electromenagersge.ca) 24 heures sur 24, ou en téléphonant au **1-800.561.3344** durant

les heures normales de bureau.

**Numéro de pièce**

GEFLSTACK

**Accessoire**

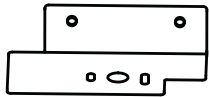
Ensemble complet de superposition

# Instructions d'installation

## COMMENT SUPERPOSER LA SÈCHEUSE À LA LAVEUSE (optionnel) (suite)

### CONTENU DE L'ENSEMBLE DE SUPERPOSITION GEFLSTACK (ACCESSOIRE EN OPTION)

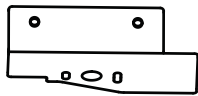
REMARQUE : Modèles GFDR480, GFDR485, GFWR4800 et GFWR4805 ne peuvent pas être superposés.



☐ Support gauche



☐ 4 vis #12 x 1 po



☐ Support droit



☐ 4 vis #8 x 1/2 po



☐ 4 cales en caoutchouc

### OUTILS NÉCESSAIRES



☐ Tournevis cruciforme



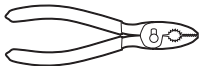
☐ Gants



☐ Clé à fourche



☐ Niveau



☐ Pince

### COMMENT PRÉPARER L'INSTALLATION

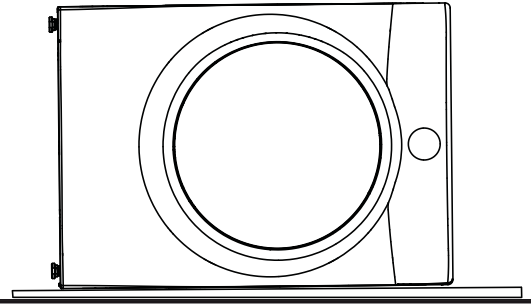
Retirez l'emballage.

Aplatissez le carton pour l'utiliser comme cale pour coucher la sècheuse sur le côté. Utilisez le carton pour protéger également le sol en face de l'endroit choisi pour l'installation.

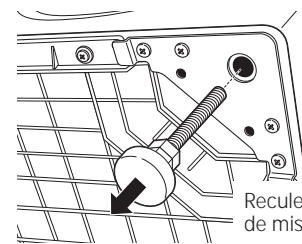
## COMMENT INSTALLER L'ENSEMBLE DE SUPPORT DE SUPERPOSITION

### 1 COMMENT RETIRER LES PATTES DE NIVELLEMENT DE LA SÈCHEUSE

- A. Posez avec précaution la sècheuse sur le côté. Utilisez le matériau d'emballage de manière à ne pas égratigner le fini de la sècheuse.



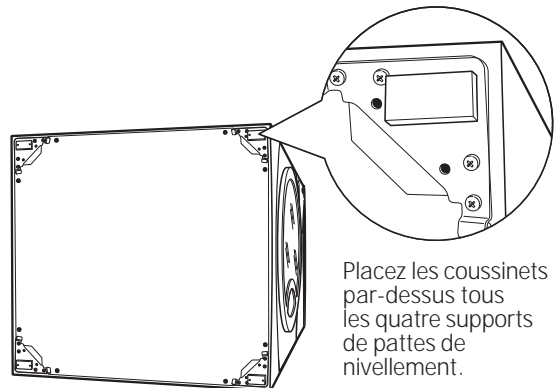
- B. Utilisez une clé à fourche ou une pince pour retirer les pattes de la sècheuse.



Reculez et retirez les 4 pieds de mise à niveau.

### 2 COMMENT INSTALLER LES CALES EN CAOUTCHOUC SUR LA BASE DE LA SÈCHEUSE

Saisissez-vous des 4 cales en caoutchouc situées dans le paquet contenant toutes les pièces. Retirez la pellicule protectrice et collez les cales dans les coins où vous avez retiré les pattes de nivellement.



Placez les coussinets par-dessus tous les quatre supports de pattes de nivellement.



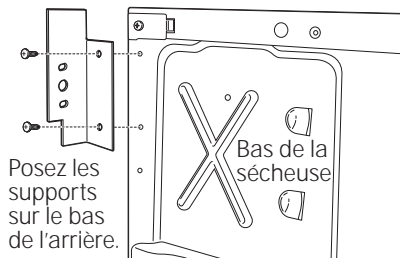
# Instructions d'installation

## COMMENT SUPERPOSER LA SÉCHEUSE À LA LAVEUSE (optionnel) (suite)

### 3 COMMENT INSTALLER LE SUPPORT SUR LA SÉCHEUSE

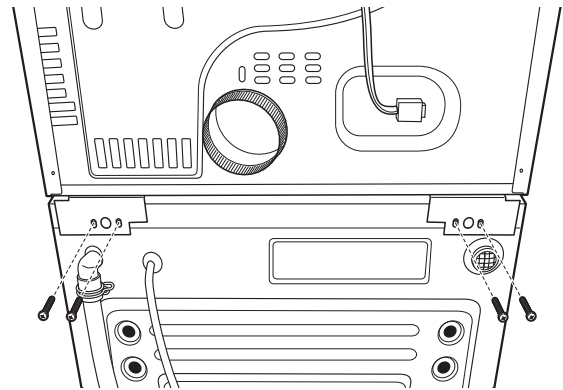
- A. Alignez les trous du support gauche sur ceux situés dans le coin inférieur gauche de l'appareil. Utilisez un tournevis cruciforme pour installer les 2 vis taraudeuses #12 x 1 po.
- B. Répétez l'étape ci-dessus avec le support droit sur le coin inférieur droit de la sécheuse.
- C. Remettez la sécheuse debout.

**REMARQUE:** Veillez à placer la sécheuse sur une partie de l'emballage de sorte que les supports fixés au bas de la sécheuse n'endommagent pas le sol.



### 5 COMMENT INSTALLER LA SÉCHEUSE ET LE SUPPORT SUR LA LAVEUSE (suite)

- B. Alignez les trous du support sur ceux situés à l'arrière de la laveuse. À l'aide d'un tournevis cruciforme, vissez les 2 vis taraudeuses #8 x 1/2 po. Répétez l'opération pour les deux côtés de la laveuse.



### 4 PRÉPAREZ LA LAVEUSE ET LA SÉCHEUSE

- A. Placez la laveuse dans son emplacement désigné.
- B. Assurez-vous que la laveuse est de niveau. Pour plus de détails, reportez-vous aux instructions d'installation de la laveuse.
- C. Inversez l'ouverture de la porte au besoin. Consultez les Instructions d'installation pour plus de renseignements.

**REMARQUE :** Il est impossible d'inverser l'ouverture de la porte de la laveuse.

### 5 COMMENT INSTALLER LA SÉCHEUSE ET LE SUPPORT SUR LA LAVEUSE

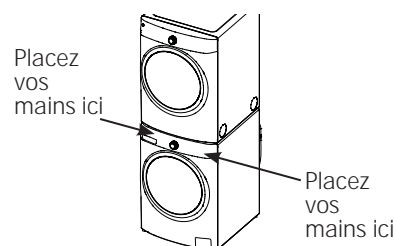
- A. Placez la sécheuse au-dessus de la laveuse. Prenez soin de ne pas égratigner le dessus de la laveuse avec les supports. Protégez le panneau de contrôle avec du carton ou tout autre protection. Prenez soin de soulever la sécheuse à une hauteur suffisante de manière à ne pas masquer le panneau de contrôle de la laveuse.

Deux personnes sont nécessaires pour soulever la sécheuse en raison de son poids et de sa taille. Vous risquez de vous blesser gravement, voire mortellement si vous ne tenez pas compte de cette recommandation.

### 6 COMMENT TERMINER L'INSTALLATION

- A. Reportez-vous aux consignes d'installation pour terminer l'installation de la laveuse.
- B. Reportez-vous aux consignes d'installation pour terminer l'installation de la sécheuse.
- C. Poussez avec précaution la laveuse et la sécheuse superposées à leur emplacement définitif. Utilisez des cales en feutre ou tout autre dispositif coulissant pour faciliter le déplacement et protéger le revêtement du sol.

Ne poussez pas sur la sécheuse lorsqu'elle est installée au-dessus de la laveuse. Si vous poussez sur la sécheuse, vous risquez de vous coincer vos doigts.





## Conseils de dépannage

Economisez du temps et de l'argent ! Consultez les tableaux sur les pages suivantes ou consultez [ELECTROMENAGERSGE.CA](http://ELECTROMENAGERSGE.CA). Vous n'aurez peut-être pas besoin d'appeler un technicien.

Problème	Causes possibles	Correctifs
La sècheuse émet des secousses et des bruits	Le bruit/ou les secousses sont normaux. La sècheuse est peut-être placée sur une surface inégale	<ul style="list-style-type: none"> <li>Placez l'appareil sur une surface plane, ou ajustez les pattes au besoin jusqu'à ce qu'il soit bien de niveau.</li> </ul>
Le séchage est trop long	Des conduits inadéquats ou bouchés	<ul style="list-style-type: none"> <li>Consultez les consignes d'installation afin de vous assurer que l'évacuation de l'air de la sècheuse est correcte.</li> <li>Veillez à ce que le conduit soit propre, non déformé et non bouché.</li> <li>Assurez-vous que l'évent mural extérieur fonctionne sans problème.</li> </ul>
	Tri erroné	<ul style="list-style-type: none"> <li>Séparez les articles lourds des légers (en général un linge correctement trié dans la laveuse l'est aussi dans la sècheuse).</li> </ul>
	Charges de tissus lourds (serviettes par exemple)	<ul style="list-style-type: none"> <li>Les tissus lourds et de grande taille contiennent de l'humidité et tardent davantage à sécher. Répartissez les tissus lourds et de grande taille en de plus petites charges pour accélérer le séchage.</li> </ul>
	Les commandes sont mal réglées	<ul style="list-style-type: none"> <li>Réglez les commandes conformément à la charge que vous séchez.</li> </ul>
	Le filtre à charpie est plein	<ul style="list-style-type: none"> <li>Nettoyez le filtre à charpie avant chaque utilisation.</li> </ul>
	Fusibles grillés ou disjoncteur déclenché	<ul style="list-style-type: none"> <li>Remplacez les fusibles ou réenclenchez les disjoncteurs. La plupart des sècheuse étant équipées de 2 fusibles/disjoncteurs, assurez-vous que les deux fonctionnent.</li> </ul>
	Surcharge/charges mixtes	<ul style="list-style-type: none"> <li>Ne mettez pas plusieurs charges dans la sècheuse à la fois.</li> </ul>
	Charge insuffisante	<ul style="list-style-type: none"> <li>Si vous ne séchez qu'un ou deux articles, ajoutez d'autres vêtements afin d'obtenir un bon culbutage.</li> </ul>
Le niveau de séchage Dry a été sélectionné mais le linge est toujours humide	La brassée est composée de vêtements lourds et légers	<ul style="list-style-type: none"> <li>Lorsque vous mélangez les tissus lourds et légers, sélectionnez <b>More Dry (Plus Sec)</b>.</li> </ul>
	Le système d'évacuation est bloqué	<ul style="list-style-type: none"> <li>Inspectez et nettoyez-le.</li> </ul>
Les touches de commande ne répondent pas	Les commandes ont été accidentellement réglées au mode réparation	<ul style="list-style-type: none"> <li>Appuyez sur <b>Start/Pause (Mise en marche/pause)</b>.</li> </ul>
	Les commandes ont été accidentellement réglées au mode verrouillage	<ul style="list-style-type: none"> <li>Maintenez la touche <b>Lock Control (Verrouillage)</b> enfoncée pendant 3 secondes pour déverrouiller la sècheuse.</li> </ul>
	Les commandes fonctionnent mal	<ul style="list-style-type: none"> <li>Réenclenchez le disjoncteur de votre domicile.</li> </ul>
La sècheuse ne démarre pas	Le panneau de contrôle est en « veille »	<ul style="list-style-type: none"> <li>C'est normal. Appuyez sur <b>Power (Alimentation)</b> pour activer le panneau de contrôle.</li> </ul>
	La sècheuse est débranchée	<ul style="list-style-type: none"> <li>Veillez à ce que la fiche de la sècheuse soit entièrement branchée dans la prise.</li> </ul>
	Fusible grillé/disjoncteur déclenché	<ul style="list-style-type: none"> <li>Vérifiez le fusible disjoncteur et remplacez le fusible ou réenclenchez le disjoncteur. <b>REMARQUE</b> : Les sècheuses électriques utilisent deux fusibles ou disjoncteurs.</li> </ul>
	La sècheuse a été arrêtée par inadvertance au moment de régler la fonction Delay Dry (Mise en marche différée)	<ul style="list-style-type: none"> <li>Si la lumière de la touche <b>Start/Pause (Mise en marche/pause)</b> clignote, la sècheuse est arrêtée. Appuyez sur <b>Start/Pause (Mise en marche/pause)</b> pour lancer le compte à rebours.</li> </ul>
Aucun chiffre n'apparaît pendant le cycle, il ne fait que s'allumer	La sècheuse évalue la quantité d'humidité du linge	<ul style="list-style-type: none"> <li>C'est normal. Lorsque la sècheuse détectera un faible niveau d'humidité dans le linge, elle affichera le temps de séchage restant.</li> </ul>

## Avant d'appeler un réparateur...

<i>Problème</i>	<i>Causes possibles</i>	<i>Correctifs</i>
<i>Le temps restant a diminué</i>	Le temps estimé risque de changer lorsqu'une charge plus petite est en train de sécher	<ul style="list-style-type: none"> <li>• C'est normal.</li> </ul>
<i>Impossible de procéder à une sélection et la sècheuse émet un double bip</i>	L'option dryness Level (Niveau de séchage), Temp (Temperature) ou l'option que vous tentez de sélectionner est incompatible avec le cycle de séchage sélectionné	<ul style="list-style-type: none"> <li>• C'est normal.</li> </ul>
<i>La sècheuse fonctionne mais 00 est le temps restant affiché</i>	L'option Extend Tumble (Culbutage prolongé) a été sélectionnée	<ul style="list-style-type: none"> <li>• C'est normal. Pendant un culbutage prolongé, le temps restant n'est pas affiché. L'option de culbutage prolongé dure environ 60 minutes.</li> </ul>
<i>Nettoyez le filtre (message)</i>	Le bouton Power (Alimentation) a été activé	<ul style="list-style-type: none"> <li>• Appuyez sur <b>Start/Pause</b> (<i>Mise en marche/pause</i>) pour à charpie lancer un cycle de séchage et le message disparaîtra.</li> </ul>
<i>La sècheuse ne chauffe pas</i>	Fusible grillé/disjoncteur déclenché, la sècheuse peut tourner mais ne chauffe pas	<ul style="list-style-type: none"> <li>• Vérifiez le fusible disjoncteur et remplacez le fusible ou réenclenchez le disjoncteur. Votre sècheuse peut tourner si un fusible est grillé ou un disjoncteur est déclenché.</li> </ul>
	L'alimentation de gaz est coupée (modèles à gaz seulement)	<ul style="list-style-type: none"> <li>• Assurez-vous que le robinet d'arrêt du gaz sur la sècheuse et que le robinet principal sont ouverts.</li> </ul>
	Le réservoir de gaz propane est vide ou il y a eu une coupure de gaz naturel (modèles à gaz seulement)	<ul style="list-style-type: none"> <li>• Faites le plein ou remplacez le réservoir. La sècheuse chauffe lorsque l'alimentation en gaz est restaurée.</li> </ul>
<i>Temps de séchage non uniformes</i>	Type de chaleur	<ul style="list-style-type: none"> <li>• Le temps de séchage variera en fonction du type de chauffage utilisé. Si vous avez récemment remplacé votre sècheuse électrique par un modèle à gaz propane, ou vice-versa, le temps de séchage peut ne pas être le même.</li> </ul>
	Type de charge et conditions de séchage	<ul style="list-style-type: none"> <li>• La taille du linge, les types de tissus, l'humidité du linge et la longueur et l'état du système d'évacuation auront une influence sur le temps de séchage.</li> </ul>
<i>Le linge est toujours humide et la sècheuse s'est arrêtée après quelques instants</i>	La porte a été ouverte au milieu du cycle. Le linge a été ensuite retiré de la sècheuse et une nouvelle charge introduite sans sélectionner un nouveau cycle	<ul style="list-style-type: none"> <li>• Un cycle de séchage doit être sélectionné chaque fois qu'une nouvelle brassée est placée dans l'appareil.</li> </ul>
	Charge petite	<ul style="list-style-type: none"> <li>• Si vous séchez 3 articles au plus, sélectionnez <b>Speed Dry</b> (<i>Séchage rapide</i>) ou <b>Time Dry</b> (<i>Séchage minuté</i>).</li> </ul>
	Le linge est déjà sec à l'exception des cols et les ceintures	<ul style="list-style-type: none"> <li>• Sélectionner <b>Quick Dry</b> (<i>Séchage rapide</i>) ou <b>Time Dry</b> (<i>Séchage minuté</i>) pour sécher des cols et des ceintures. À l'avenir, lorsque vous séchez des articles possédant des cols et des ceintures, sélectionnez plutôt <b>More Dry</b> (<i>Plus Sec</i>).</li> </ul>
<i>La sècheuse n'est pas placée sur une surface plane</i>	La sècheuse n'est pas placée sur une surface plane	<ul style="list-style-type: none"> <li>• Placez l'appareil sur une surface plane, ou ajustez les pattes au besoin jusqu'à ce qu'il soit bien de niveau.</li> </ul>
<i>Le linge est froissé</i>	Séchage excessif	<ul style="list-style-type: none"> <li>• Sélectionnez un temps de séchage plus court.</li> <li>• Retirez du linge pendant qu'il est encore légèrement humide. Sélectionnez les options <b>Less Dry</b> (<i>Moins sec</i>) ou <b>Damp</b> (<i>Humide</i>).</li> </ul>
	Linge laissé dans la sècheuse alors que le cycle est fini	<ul style="list-style-type: none"> <li>• Retirez le linge une fois le cycle terminé, pliez et suspendez-le immédiatement, ou utilisez l'option <b>Wrinkle Care</b> (<i>Culbutage Prolongé</i>).</li> </ul>
	Surcharge	<ul style="list-style-type: none"> <li>• Répartissez les tissus lourds et de grande taille en de plus petites charges.</li> </ul>



## Conseils de dépannage

Problème	Causes possibles	Correctifs
<i>Le linge a rétréci</i>	Certains tissus rétréciront naturellement au lavage. D'autres peuvent être lavés sans problème, mais rétréciront dans la sècheuse	<ul style="list-style-type: none"> <li>Afin d'éviter tout rétrécissement, suivez les indications figurant sur les étiquettes des vêtements.</li> <li>Certains vêtements doivent être étirés après le séchage afin qu'ils retrouvent leur forme d'origine.</li> <li>Si vous avez peur qu'un vêtement rétrécisse, ne le lavez pas à la machine ou ne le séchez pas dans la sècheuse.</li> </ul>
<i>Des tâches de gras sur le linge</i>	Une utilisation inadéquate de l'assouplissant	<ul style="list-style-type: none"> <li>Suivez le mode d'emploi figurant sur l'emballage de l'assouplissant.</li> </ul>
	Séchage de linge propre avec du linge sale	<ul style="list-style-type: none"> <li>Utilisez votre sècheuse pour ne sécher que du linge propre. Le linge sale risque de tacher le linge propre et la sècheuse.</li> </ul>
	Le linge n'était pas complètement propre	<ul style="list-style-type: none"> <li>Il arrive parfois que des taches ne soient pas visibles lorsque le linge est humide et apparaissent après le séchage. Utilisez des procédures de lavage adéquates avant le séchage.</li> </ul>
<i>De la charpie sur le linge</i>	Le filtre à charpie est plein	<ul style="list-style-type: none"> <li>Nettoyez le filtre à charpie avant chaque utilisation.</li> </ul>
	Tri erroné	<ul style="list-style-type: none"> <li>Triez les tissus producteurs de charpie (chenille par exemple) des tissus collecteurs de charpie (le velours côtelé par exemple).</li> </ul>
	L'électricité statique peut attirer la charpie	<ul style="list-style-type: none"> <li>Se reporter aux suggestions de la section <b>Électricité statique</b>.</li> </ul>
	Surcharge	<ul style="list-style-type: none"> <li>Répartissez les tissus lourds et de grande taille en de plus petites charges.</li> </ul>
	Papier, mouchoir, etc., oubliés dans les poches	<ul style="list-style-type: none"> <li>Videz toutes les poches avant de laver le linge.</li> </ul>
<i>Électricité statique</i>	Aucun assouplissant n'a été utilisé	<ul style="list-style-type: none"> <li>Essayez un assouplissant.</li> <li>Les feuilles d'assouplissant textile de marque Bounce<sup>MD</sup> ont été approuvées pour toutes les sècheuses GE lorsqu'elles sont utilisées conformément aux instructions du fabricant.</li> </ul>
	Séchage excessif	<ul style="list-style-type: none"> <li>Essayez un assouplissant.</li> <li>Réglez l'option <b>Less Dry</b> (Moins Sec) ou <b>Damp</b> (Humide).</li> </ul>
	Les synthétiques, les mélanges et les infroissables peuvent provoquer de l'électricité statique	<ul style="list-style-type: none"> <li>Essayez un assouplissant.</li> </ul>
<i>Les cols et les ceintures sont toujours humides à la fin du cycle</i>	Le capteur d'humidité détecte que la majeure partie du linge est sèche	<ul style="list-style-type: none"> <li>Sélectionnez <b>Quick Dry</b> (Séchage rapide) ou <b>Time Dry</b> (Séchage minuté) pour sécher les cols et les ceintures humides. À l'avenir, lorsque vous séchez des articles possédant des cols et des ceintures, sélectionnez plutôt <b>More Dry</b> (Plus Sec).</li> </ul>
<i>Légère variation de la couleur métallique</i>	C'est normal	<ul style="list-style-type: none"> <li>En raison des propriétés métalliques de la peinture utilisée pour ce produit, de légères variations de couleur peuvent se produire en raison des conditions d'éclairage et des angles d'observation.</li> </ul>

## Avant d'appeler un réparateur...

<i>Problème</i>	<i>Causes possibles</i>	<i>Correctifs</i>
<i>La porte est trop embuée pour apercevoir les vêtements durant un cycle vapeur</i>	La vapeur se condense sur la porte intérieure	• C'est normal.
<i>L'eau visible à l'intérieur de la porte et sur le haut du filtre à charpie lors de l'ouverture de la porte après un cycle vapeur</i>	La vapeur se condense sur ces surfaces	• C'est normal.
<i>De petites zones des vêtements sont humides après le</i>	<i>La vapeur se condense sur le tambour intérieur programme de vapeur</i>	• Si vous utilisez le programme <b>Steam Dewrinkle</b> ( <i>Défroissage à la vapeur</i> ), réduisez manuellement la durée du programme. Si vous utilisez le programme <b>Steam Refresh</b> ( <i>Rafrichissement à la vapeur</i> ), ajoutez des vêtements à la charge.
<i>Petite quantité d'eau sur le plancher devant la sècheuse</i>	<i>Charge inadéquate pour le programme de vapeur sélectionné, l'excédent de vapeur se condense et fuit</i>	• Si vous utilisez le programme <b>Steam Dewrinkle</b> ( <i>Défroissage à la vapeur</i> ), réduisez manuellement la durée du programme. Si vous utilisez le programme <b>Steam Refresh</b> ( <i>Rafrichissement à la vapeur</i> ), ajoutez d'autres vêtements à la charge.
<i>De l'eau sur le plancher, derrière la sècheuse</i>	Une connexion du tuyau d'eau à la valve n'est pas assez serrée	• Resserrez la connexion.
	Une rondelle de caoutchouc du boyau est manquante sur la connexion avec la valve	• Installez la rondelle de caoutchouc fournie avec le boyau.
<i>La sècheuse émet des bruits d'eau</i>	La valve d'eau est ouverte, remplissant le générateur de vapeur	• C'est normal.
	Le générateur de vapeur émet de la vapeur dans le tambour	• C'est normal.
<i>De l'eau dégouline de la porte lorsque cette dernière est ouverte après un Cycle Vapeur</i>	La vapeur se condense sur la porte intérieure	• C'est normal.
<i>Ne peut voir la vapeur au début du cycle</i>	La vapeur est relâchée à différents moments durant le cycle	• C'est normal.
<i>Impossible de voir de la vapeur n'importe quand pendant le cycle</i>	Le bec vapeur peut être bouché de débris de l'arrivée d'eau.	• Appelez <b>1-800.561.3344</b> pour commander le nécessaire de rechange de bec <b>WE25M71</b> ou pour demander à un technicien de le remplacer pour vous
<i>Les vêtements sont encore froissés après un cycle vapeur</i>	Trop de vêtements	• Insérez moins de vêtements ; augmentez manuellement la durée du cycle.
<i>La sècheuse continue à fonctionner après que l'affichage indique que le programme est terminé</i>	<i>L'option de culbutage prolongé a été sélectionnée</i>	• Assurez-vous que l'option <b>Wrinkle Care</b> ( <i>Culbutage prolongé</i> ) n'a pas été sélectionnée. Pour le programme <b>Steam Refresh</b> ( <i>Rafrichissement à la, vapeur</i> ), <b>Ext Tumble</b> ( <i>Culbutage prolongé</i> ) sera automatiquement mis en marche et ne pourra être arrêté.

## Garantie de la sècheuse GE. (Pour des clients au Canada)



Tout le service sous garantie est fourni par nos Centres de service ou par un technicien autorisé. Pour le service, appelez le 1.800.561.3344.

Veillez fournir le numéro de série et le numéro de modèle lorsque vous appelez pour obtenir le service.

### Pour une période de: Nous remplacerons:

#### Un an

À partir de la date d'achat d'origine

Toute pièce de la sècheuse qui se révèle défectueuse en raison d'un vice de matériaux ou de fabrication. Pendant cette **garantie limitée de un an**, GE prendra en charge également, **gratuitement**, tous les frais de main-d'œuvre et les frais connexes de service pour remplacer la pièce défectueuse.

### Ce qui n'est pas couvert:

- Les frais de déplacements à votre maison pour vous apprendre à utiliser votre produit.
- Une mauvaise installation, livraison ou entretien.
- Une panne du produit si celui-ci est maltraité, mal utilisé ou utilisé à des fins autres que celles auxquelles il est destiné, ou utilisé commercialement.
- Remplacement de l'ampoule lumineuse après sa durée de vie utile prévue.
- Le remplacement de fusibles de la maison ou le réenclenchement des disjoncteurs.
- Des dommages au produit causés par un accident, un incendie, une inondation ou une catastrophe naturelle.
- Tout dommage indirect ou consécutif causé par des pannes possibles de cet appareil électroménager.
- Des dommages après la livraison.
- Le service s'il est impossible d'avoir accès au produit pour l'effectuer.
- Défauts ou dommages causés par l'utilisation aux températures en-dessous de zéro C.
- Produits qui ne sont pas défectueux ou endommagés ou qui fonctionnent tel que décrit dans le manuel de l'utilisateur.

**EXCLUSION DE GARANTIES IMPLICITES** – Votre seul et unique recours est la réparation du produit selon les dispositions de cette Garantie limitée. Toutes les garanties implicites, incluant les garanties de qualité marchande et de convenance, sont limitées à une année ou à la période la plus courte autorisée par la législation.

Cette garantie est offerte à l'acheteur original et à tout autre propriétaire suivant pour les produits achetés au Canada pour une utilisation domestique au Canada. Le service à domicile en vertu de la garantie sera fourni dans les régions où il est disponible et où Mabe estime raisonnable de le fournir.

LE GARANT N'EST PAS RESPONSABLE DES DOMMAGES INDIRECTS.

Garant : MC Commercial, Burlington, ON

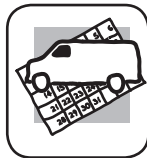
## Soutien au consommateur.



### Site Web appareils électroménagers GE

Aux É.-U. : **GEAppliances.com**

Vous avez une question ou vous avez besoin d'aide pour votre appareil électroménager? Visitez notre site Web consacré aux appareils électroménagers GE, et ce 24 heures par jour, tous les jours de l'année! Pour des raisons de commodité et pour accélérer le service, vous pouvez maintenant télécharger les manuels du propriétaire, commander des pièces et même programmer les visites de service en ligne. **Au Canada: [www.GEAppliances.ca](http://www.GEAppliances.ca)**



### Service de réparation

Aux É.-U. : **GEAppliances.com**

Un service de réparation expert GE se trouve à quelques pas de chez vous. Visitez notre site et programmez, à votre convenance, une visite de service à n'importe quel jour de l'année! Ou composez le 800.GE.CARES (800.432.2737) durant les heures normales de bureau.

**Au Canada, composez le 1.800.561.3344**



### Studio de conception universel

Aux É.-U. : **GEAppliances.com**

GE appuie le concept de design universel—des produits, des services et des environnements qui peuvent être utilisés par des personnes de tous âges, tailles et capacités. Nous reconnaissons le besoin de concevoir des produits pour un vaste éventail d'aptitudes et déficiences mentales et physiques. Visitez notre site Web aujourd'hui pour obtenir plus de renseignements sur l'application du design universel par GE, y compris des conceptions de cuisine pour les personnes handicapées. Dans le cas de personnes malentendantes, veuillez composer le 800.TDD.GEAC (800.833.4322).

**Au Canada**, contactez : Manager, Consumer Relations, MC Commercial  
Suite 310, 1 Factory Lane  
Moncton, N.B. E1C 9M3

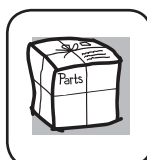


### Prolongation de garantie

Aux É.-U. : **GEAppliances.com**

Achetez un contrat d'entretien GE et informez-vous des rabais spéciaux en vigueur pendant toute la durée de votre garantie. Vous pouvez vous le procurer en ligne ou en composant le 800.GE.CARES (800.432.2737) durant les heures normales de bureau. Les services à domicile GE seront toujours disponibles après l'expiration de la garantie.

**Au Canada, consultez votre annuaire local pour un fournisseur de garantie prolongée.**



### Pièces et accessoires

Aux É.-U. : **GEAppliances.com**

Les personnes ayant les compétences requises pour réparer elles-mêmes leurs appareils peuvent recevoir directement à la maison des pièces ou accessoires (les cartes VISA, MasterCard et Discover sont acceptées). Commandez en ligne dès aujourd'hui, 24 heures sur 24 tous les jours, ou en téléphonant au 800.626.2002 durant les heures normales de bureau.

**Les instructions contenues dans le présent manuel comportent des procédures que tout utilisateur peut effectuer. Les autres types de réparation doivent généralement être confiés à un technicien qualifié. Utilisez de la prudence: une réparation ou un entretien mal effectués peuvent rendre l'utilisation de l'appareil dangereuse.**

Les consommateurs **au Canada** doivent consulter les pages jaunes pour connaître le centre de service Mabe le plus proche, ou composer le 1.800.661.1616.



### Communiquez avec nous

Aux É.-U. : **GEAppliances.com**

Si vous n'êtes pas satisfait du service après-vente de GE, communiquez avec nous sur notre site Web en fournissant tous les détails et votre numéro de téléphone, ou écrivez à :

General Manager, Customer Relations  
GE Appliances, Appliance Park  
Louisville, KY 40225

**Au Canada: [www.GEAppliances.ca](http://www.GEAppliances.ca)**, ou écrivez à :

Director, Consumer Relations, MC Commercial  
Suite 310, 1 Factory Lane  
Moncton, N.B. E1C 9M3



### Enregistrez votre électroménager

Aux É.-U. : **GEAppliances.com**

**Enregistrez votre nouvel appareil en ligne au moment qui vous convient le mieux!** L'enregistrement de votre produit dans les délais prescrits permet une meilleure communication et un service rapide, selon les modalités de votre garantie, si besoin est. Vous pouvez également envoyer par courrier la carte d'enregistrement pré-imprimée qui se trouve dans l'emballage de votre appareil. **Au Canada: [www.GEAppliances.ca](http://www.GEAppliances.ca)**



234D2376P001

**49-90520**

03-14 GE