



Top Freezer REFRIGERATORS

SAFETY INFORMATION 3

USING THE REFRIGERATOR

Controls 5

Shelves and Bins 6

Crispers and Pans 7

Automatic Icemaker 8

CARE AND CLEANING 9

Cleaning the Outside 9

Cleaning the Inside 9

Condenser 9

Moving the Refrigerator 10

Preparing for Vacation 10

Preparing to Move 10

Replacing the Light Bulb 10

INSTALLATION INSTRUCTIONS

Preparing to Install the Refrigerator 11

Installing the Water Line 12

Icemaker Installation 16

Reversing the Door Swing 17

TROUBLESHOOTING

Normal Operating Sounds 22

Troubleshooting Tips 23

LIMITED WARRANTY 25

CONSUMER SUPPORT 26

OWNER'S MANUAL & INSTALLATION INSTRUCTIONS

GTE21
GIE21

ENGLISH/ FRANÇAIS /
ESPAÑOL

Write the model and serial numbers here:

Model # _____

Serial # _____

Find these numbers on a label inside the fresh food compartment.

THANK YOU FOR MAKING GE APPLIANCES A PART OF YOUR HOME.

Whether you grew up with GE Appliances, or this is your first, we're happy to have you in the family.

We take pride in the craftsmanship, innovation and design that goes into every GE Appliances product, and we think you will too. Among other things, registration of your appliance ensures that we can deliver important product information and warranty details when you need them.

Register your GE appliance now online. Helpful websites and phone numbers are available in the Consumer Support section of this Owner's Manual. You may also mail in the pre-printed registration card included in the packing material.



GE APPLIANCES

IMPORTANT SAFETY INFORMATION

READ ALL INSTRUCTIONS BEFORE USING THE APPLIANCE

▲ WARNING To reduce the risk of fire, explosion, electric shock, or injury when using your refrigerator, follow these basic safety precautions:

- This refrigerator must be properly installed and located in accordance with the Installation Instructions before it is used.
- Unplug the refrigerator before making repairs, replacing a light bulb, or cleaning.
NOTE: Power to the refrigerator cannot be disconnected by any setting on the control panel.
NOTE: Repairs must be performed by a qualified Service Professional.
- Replace all parts and panels before operating.
- Do not store or use gasoline or other flammable vapors and liquids in the vicinity of this or any other appliance.
- Do not store explosive substances such as aerosol cans with a flammable propellant in this appliance.
- Do not use an extension cord.
- To prevent suffocation and entrapment hazards to children, remove the fresh food and freezer doors from any refrigerator before disposing of it or discontinuing its use.
- To avoid serious injury or death, children should not stand on, or play in or with the appliance.
- Children and persons with reduced physical, sensory or mental capabilities or lack of experience and knowledge can use this appliance only if they are supervised or have been given instructions on safe use and understand the hazards involved.
- This appliance is intended to be used in household and similar applications such as: staff kitchen areas in shops, offices and other working environments; farm houses; by clients in hotels, motels, bed & breakfast and other residential environments; catering and similar non-retail applications.

▲ CAUTION To reduce the risk of injury when using your refrigerator, follow these basic safety precautions.

- Do not clean glass shelves or covers with warm water when they are cold. Glass shelves and covers may break if exposed to sudden temperature changes or impact, such as bumping or dropping. Tempered glass is designed to shatter into many small pieces if it breaks.
- Keep fingers out of the “pinch point” areas; clearances between the doors and between the doors and cabinet are necessarily small. Be careful closing doors when children are in the area.
- Do not touch the cold surfaces in the freezer compartment when hands are damp or wet, skin may stick to these extremely cold surfaces.
- Do not refreeze frozen foods which have thawed completely.
- In refrigerators with automatic ice makers, avoid contact with the moving parts of the ejector mechanism, or with the heating element that releases the cubes. Do not place fingers or hands on the automatic ice making mechanism while the refrigerator is plugged in.

▲ WARNING  **FIRE OR EXPLOSION HAZARD Flammable Refrigerant**

This appliance contains isobutane refrigerant, also known as R600a, a natural gas with high environmental compatibility. However, it is also combustible. Adhere to the warnings below to reduce the risk of injury or property damage.

1. When handling, installing and operating the appliance, care should be taken to avoid damage to the refrigerant tubing.
2. Service shall only be performed by authorized service personnel. Use only manufacturer-authorized service parts.
3. Dispose of refrigerator in accordance with the Federal and Local Regulations. The flammable refrigerant and insulation material used in this product require special disposal procedures. Contact your local authorities for the environmentally safe disposal of your refrigerator.
4. Keep ventilation openings in the appliance enclosures or in the built-in structure clear of obstruction.
5. To remove frost, scrape with a plastic or wood spatula or scraper. Do not use an ice pick or a metal or sharp-edged instrument as it may puncture the freezer liner and then the flammable refrigerant tubing behind it.
6. Do not use electrical appliances inside the food storage compartment of the appliance.
7. Do not use any electrical device to defrost your freezer.

READ AND SAVE THESE INSTRUCTIONS

IMPORTANT SAFETY INFORMATION

READ ALL INSTRUCTIONS BEFORE USING THE APPLIANCE

INSTALLATION

⚠ WARNING FIRE OR EXPLOSION HAZARD

Keep flammable materials and vapors away from refrigerator. Failure to do so can result in fire, explosion, or death.

CONNECTING ELECTRICITY

⚠ WARNING ELECTRICAL SHOCK HAZARD

Plug into a grounded 3-prong outlet

Do not remove the ground prong

Do not use an adapter

Do not use an extension cord.

Failure to follow these instructions can result in death, fire, or electrical shock.

Do not, under any circumstances, cut or remove the third (ground) prong from the power cord. For personal safety, this appliance must be properly grounded.

The power cord of this appliance is equipped with a 3-prong (grounding) plug which mates with a standard 3-prong (grounding) wall outlet to minimize the possibility of electric shock hazard from this appliance.

Have the wall outlet and circuit checked by a qualified electrician to make sure the outlet is properly grounded.

Where a standard 2-prong wall outlet is encountered, it is your personal responsibility and obligation to have it replaced with a properly grounded 3-prong wall outlet. Do not use an adapter.

The refrigerator should always be plugged into its own individual electrical outlet which has a voltage rating that matches the rating plate.

A 115 Volt AC, 60 Hz, 15- or 20-amp fused, grounded electrical supply is required. This provides the best performance and also prevents overloading house wiring circuits which could cause a fire hazard from overheated wires.

Never unplug your refrigerator by pulling on the power cord. Always grip plug firmly and pull straight out from the outlet.

Immediately discontinue use of a damaged supply cord. If the supply cord is damaged, it must be replaced by a qualified service professional with an authorized service part from the manufacturer.

When moving the refrigerator away from the wall, be careful not to roll over or damage the power cord.

PROPER DISPOSAL OF YOUR OLD REFRIGERATOR

⚠ WARNING SUFFOCATION AND ENTRAPMENT HAZARD

Failure to follow these disposal instructions can result in death or serious injury

IMPORTANT: Child entrapment and suffocation are not problems of the past. Junked or abandoned refrigerators or freezers are still dangerous even if they will sit for “just a few days.” If you are getting rid of your old refrigerator or freezer, please follow the instructions below to help prevent accidents.

Before You Throw Away Your Old Appliance

- Take off the fresh food and freezer doors.
- Leave the shelves in place so that children may not easily climb inside.

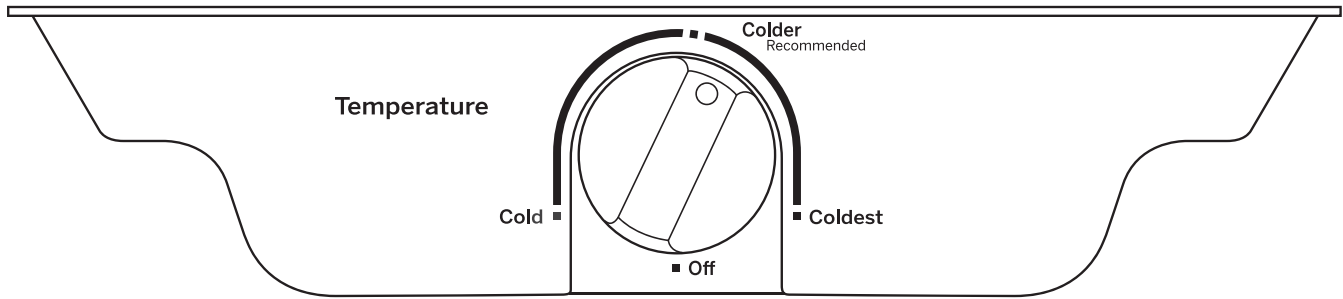
Refrigerant and Foam Disposal:

Dispose of or recycle your appliance in accordance with Federal and Local Regulations. Flammable refrigerant and insulation material used requires special disposal procedures. Contact your local authorities for the environmentally safe disposal or recycling of your refrigerator.

READ AND SAVE THESE INSTRUCTIONS

Controls

The controls on your refrigerator will look like the following:



Control Settings

Initially, set the refrigerator control to the recommended setting. Allow 24 hours for the temperature to stabilize.

Several adjustments may be required. Adjust the refrigerator control one increment at a time and allow 12 hours after each adjustment for the refrigerator to reach the temperature you have set.

Setting the refrigerator control to Off stops cooling in both the freezer and refrigerator compartments but does not shut off electrical power to the refrigerator.

Control settings will vary based on personal preferences, usage and operating conditions, and may require more than one adjustment. Factors that affect temperature include the amount of food in the refrigerator or freezer, the frequency of door opening and the temperature of food when it is placed in the refrigerator.

Shelves and Bins

Not all features are on all models.

Rearranging the Shelves

Shelves in the refrigerator and freezer compartments are adjustable.

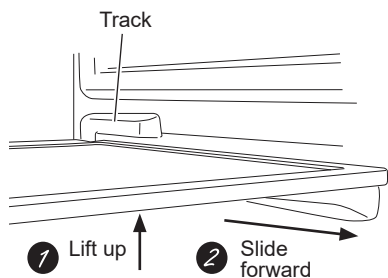
REFRIGERATOR COMPARTMENT

Full Width Shelves

The shelf rests on a molded side-wall support and locks into a track on the rear cabinet wall on each side.

To remove:

1. Lift the shelf up through the space in the track.
2. Slide the shelf forward along the track.
3. Pull the shelf out of the unit.



To replace:

Reverse removal steps above.

⚠ CAUTION

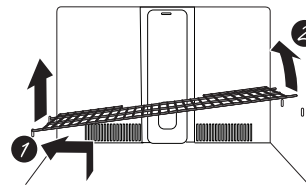
Do not clean glass shelves or covers with warm water when they are cold. Glass shelves and covers may break if exposed to sudden temperature changes or impact such as bumping or dropping. Tempered glass is designed to shatter into many small pieces if it breaks.

Do not wash any plastic refrigerator parts in the dishwasher.

FREEZER COMPARTMENT

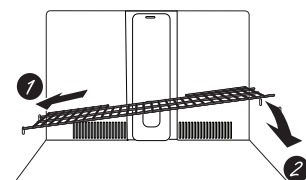
To remove:

1. Lift up both sides of the shelf and slide it left into the center of the shelf supports.
2. Rotate the right side of the shelf up and out of the shelf supports.



To replace:

1. Holding the shelf diagonally, insert the left end of the shelf into the top of the shelf supports on the side wall.
2. Insert the right end of the shelf into the shelf supports on the side wall. Rest each end of the shelf on the bottom of the shelf supports.

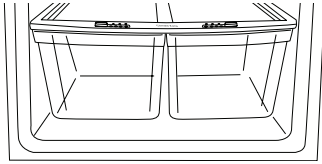


Crispers and Pans

Not all features are on all models.

Fruit and Vegetable Crispers

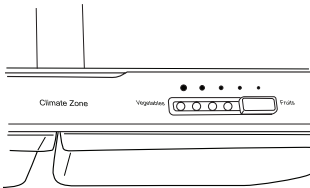
Excess water that may accumulate in the bottom of the drawers or under the drawers should be wiped dry.



Adjustable Humidity Crisper

Slide the control all the way to the Vegetables setting to provide high humidity recommended for most vegetables.

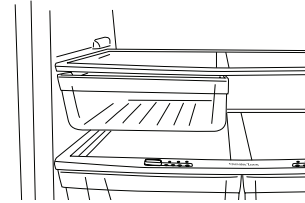
Slide the control all the way to the Fruits setting to provide lower humidity levels recommended for most fruits.



Snack Pan

This pan can be moved to the most useful location for your family's needs.

To remove, slide the pan out to the stop position, lift the pan up and past the stop position, and lift out.



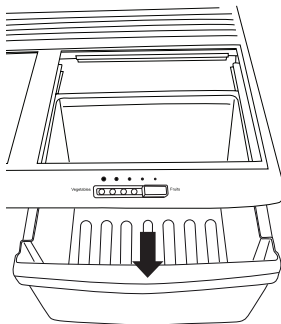
Crisper Removal

Unload the bottom shelf before attempting to remove the storage drawers.

To remove:

Lift the drawers up slightly while pulling them past the stop location.

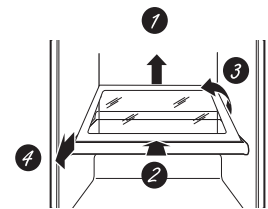
If the door prevents you from taking out the drawers, first try to remove the door bins. If this does not offer enough clearance, the refrigerator will need to be rolled forward until the door opens enough to slide the drawers out. In some cases, when you roll the refrigerator out, you will need to move the refrigerator to the left or right as you roll it out.



To remove the glass cover:

Remove the glass, then the frame. When replacing the glass, push the front edge firmly into the frame.

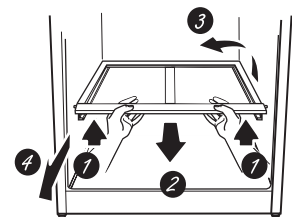
1. Push up the glass cover at the rear.
2. Slide the glass cover backwards until the front edge comes out of the frame.
3. Rotate the side of the glass cover up.
4. Remove the glass cover.



Removing the glass cover

To remove the frame:

1. Lift up the front of the frame using both hands.
2. Slide the frame forward.
3. Rotate the side of the frame up.
4. Remove the frame.



Removing the frame

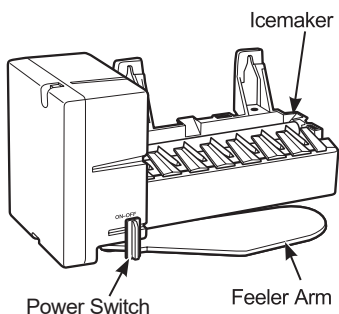
Automatic Icemaker

A newly-installed refrigerator may take 12–24 hours to begin making ice.

Automatic Icemaker (on some models)

⚠ CAUTION

Avoid contact with the moving parts of the ejector mechanism, or with the heating element (located on the bottom of the ice maker) that releases the cubes. Do not place fingers or hands on the automatic ice making mechanism while the refrigerator is plugged in.



The icemaker will produce approximately 3 to 3-1/2 lbs. (1.36 to 1.59 kg) of ice in a 24-hour period, depending on the freezer compartment temperature, room temperature, number of door openings and other use conditions.

If the refrigerator is operated before the water connection is made to the icemaker, move the power switch to OFF.

When the refrigerator has been connected to the water supply, set power switch to ON

The icemaker will fill with water when it cools to 15°F (-9°C). A newly-installed refrigerator may take 12 to 24 hours to begin making ice cubes.

Once the icemaker starts to make ice, it may take up to 48 hours to fill the bin, depending on the temperature settings and number of door openings.

You will hear a buzzing sound each time the icemaker fills with water.

Throw away the first few batches of ice to allow the water line to clear.

Be sure nothing interferes with the sweep of the feeler arm.

When the bin fills to the level of the feeler arm, the icemaker will stop producing ice.

It is normal for several cubes to be joined together.

If ice is not used frequently, old ice cubes will become cloudy, taste stale, shrink or fuse together.

NOTE: In homes with lower-than-average water pressure, you may hear the icemaker cycle multiple times when making one batch of ice.

Icemaker Accessory Kit

If your refrigerator did not already come equipped with an automatic icemaker, an icemaker accessory kit is available at extra cost.

Check the back of the refrigerator for the specific ice maker kit needed for your model.

Care And Cleaning

Cleaning the Outside

The door handles and trim. Clean with a cloth dampened with soapy water. Dry with a soft cloth.

Keep the outside clean. Wipe with a clean cloth lightly dampened with kitchen appliance wax or mild liquid dish detergent. Dry and polish with a clean, soft cloth.

The stainless steel panels and door handles (on some models) can be cleaned with a commercially available stainless steel cleaner. Cleaners with oxalic acid such as Bar Keepers Friend Soft Cleanser will remove rust, tarnish, and small blemishes. Use only a liquid cleanser free of grit and rub in the direction of the brush lines with a damp soft sponge. Do not use appliance wax or polish on the stainless steel.

Do not wipe the refrigerator with a soiled dish cloth or wet towel. These may leave a residue that can erode the paint. Do not use scouring pads, powdered cleaners, bleach or cleaners containing bleach because these products can scratch and weaken the paint finish.

Cleaning the Inside

To help prevent odors, leave an open box of baking soda in the fresh food and freezer compartments.

Unplug the refrigerator before cleaning.

If this is not practical, wring excess moisture out of sponge or cloth when cleaning around switches, lights or controls.

Use warm water and baking soda solution—about a tablespoon (15 ml) of baking soda to a quart (1 liter) of water. This both cleans and neutralizes odors. Rinse and wipe dry.

Do not clean with any products containing detergent, bleach or ammonia. They may damage the refrigerator.

After cleaning the door gaskets, apply a thin layer of petroleum jelly to the door gaskets at the hinge side. This helps keep the gaskets from sticking and bending out of shape. Do not use cleansing powders or other abrasive cleaners.

⚠ CAUTION

Do not clean glass shelves or covers with warm water when they are cold. Glass shelves and covers may break if exposed to sudden temperature changes or impact such as bumping or dropping. Tempered glass is designed to shatter into many small pieces if it breaks.

Do not wash any plastic refrigerator parts in the dishwasher.

Condenser

Depending on the model, the condenser is either located near the compressor or behind the back wall. For condensers near the compressor, there is no need for routine condenser cleanings in normal home operating environments. However, in environments that may be particularly dusty or greasy, the condenser should be cleaned periodically for efficient refrigerator operation.

Cleaning the condenser:

Sweep away or vacuum up dust.

⚠ WARNING

To reduce the risk of death or electric shock, you must follow these instructions:

- Unplug the refrigerator before removing any panels.
- Do not contact or damage any wiring while the panel is removed.
- Replace all parts and panels before plugging the refrigerator back in.

Care and Cleaning

Moving the Refrigerator

Be careful when moving the refrigerator away from the wall. All types of floor coverings can be damaged, particularly cushioned coverings and those with embossed surfaces.

Turn the leveling legs at each front corner of the refrigerator counterclockwise until the rollers support the refrigerator. Pull the refrigerator straight out and return it to position by pushing it straight in.

Moving the refrigerator in a side direction may result in damage to the floor covering or refrigerator.

⚠ WARNING **ELECTRICAL SHOCK HAZARD**

When pushing the refrigerator back, make sure you don't roll over the power cord or icemaker supply line (on some models).

After rolling the refrigerator back into place, turn the legs clockwise until the legs again bear the weight of the refrigerator.

Preparing for Vacation

For long vacations or absences, remove food and unplug the refrigerator. Move the refrigerator control to the OFF position and clean the interior with a baking soda solution of one tablespoon (15 ml) of baking soda to one quart (1 liter) of water. Leave the doors open.

Set the icemaker power switch to the OFF position and shut off the water supply to the refrigerator.

If the temperature can drop below freezing, have a qualified servicer drain the water supply system (on some models) to prevent serious property damage due to flooding.

Preparing to Move

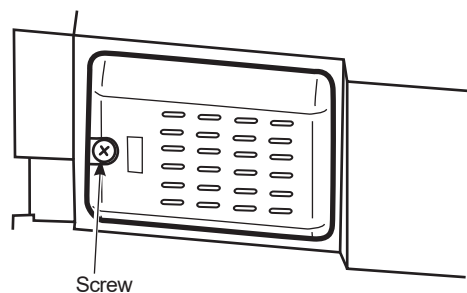
Secure all loose items such as grille, shelves and drawers by taping them securely in place to prevent damage. To prevent the doors from opening while moving, secure them to the case with tape.

Be sure the refrigerator stays in an upright position during moving.

Replacing the Light Bulb

Setting the refrigerator control to OFF does not remove power to the light circuit.

1. Unplug the refrigerator.
2. Remove the top shelf (if necessary).
3. The bulb is located behind a light lens in the ceiling of the refrigerator section. Remove the light lens by removing the single screw using a Phillips head screwdriver.
4. Replace the bulb with an appliance bulb of the same or lower wattage.
5. Replace the light lens.
6. Plug the refrigerator back in.



Installation Instructions

Refrigerator Models GTE21 and GIE21

Questions? Call 800.GE.CARES (800.432.2737) or visit our Website at: GEAppliances.com
 In Canada, call 1.800.561.3344 or visit our Website at: GEAppliances.ca

- ### BEFORE YOU BEGIN
- Read these instructions completely and carefully.
- **IMPORTANT** – Save these instructions for local inspector’s use.
 - **IMPORTANT** – Observe all governing codes and ordinances.
 - **Note to Installer** – Be sure to leave these instructions with the Consumer.
 - **Note to Consumer** – Keep these instructions for future reference.
 - **Skill level** – Installation of this appliance requires basic mechanical skills.
 - **Completion time**–Refrigerator Installation - 15 minutes
 - Proper installation is the responsibility of the installer.
 - Product failure due to improper installation is not covered under the Warranty.

- ### CLEARANCES
- Allow the following clearances for ease of installation, proper air circulation and plumbing and electrical connections.
- Sides 1/8" (3 mm)
 Top 1/8" (3 mm)
 Back 1" (25 mm)
- If the refrigerator is to be installed next to a wall on the hinge side, allow 5/16" (8 mm) door clearance.

WATER SUPPLY TO THE ICEMAKER (On Some Models)

If the refrigerator has an icemaker, it will have to be connected to a cold water line. A GE Appliances water supply kit (containing tubing, shutoff valve, fittings and instructions) is available at extra cost from your dealer or by visiting our Website at GEAppliances.com (in Canada at geappliances.ca) or from Parts and Accessories, 1.800.661.1616.

ROLLERS AND LEVELING LEGS

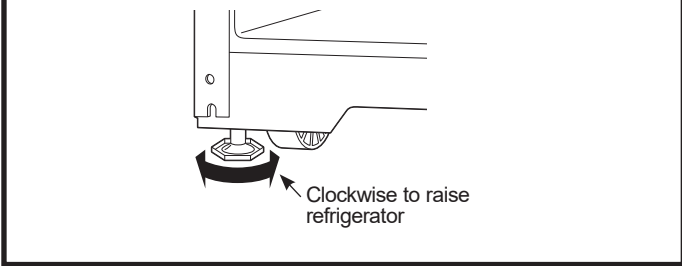
Leveling legs near each front corner of the refrigerator are adjustable. They firmly position the refrigerator and prevent it from moving when the doors are opened. Leveling legs should be set so the front of the refrigerator is raised just enough that the doors close easily when opened about halfway.

Turn the leveling legs clockwise to raise the refrigerator, counterclockwise to lower it.

Rollers next to the leveling legs allow you to move the refrigerator away from the wall for cleaning.

Turn the legs counterclockwise until the weight of the refrigerator is transferred from them to the rollers. After rolling the refrigerator back into place, turn the legs clockwise until the legs again bear the weight of the refrigerator.

- ### REFRIGERATOR LOCATION
- Do not install the refrigerator where the temperature will go below 55°F (12.7°C) because it will not run often enough to maintain proper temperatures.
 - Do not install the refrigerator where the temperature will go above 100°F (37°C) because it will not perform properly.
 - Do not install the refrigerator in a location exposed to water (rain, etc.) or direct sunlight.
 - Install it on a floor strong enough to support it fully loaded.



Installation Instructions

INSTALLING THE WATER LINE

BEFORE YOU BEGIN

Recommended copper water supply kits are WX8X2, WX8X3 or WX8X4, depending on the amount of tubing you need. Approved plastic water supply lines are SmartConnect™ Refrigerator Tubing (WX08X10002, WX08X10006, WX08X10015 and WX08X10025).

When connecting your refrigerator to a GE Appliances Reverse Osmosis Water System, the only approved installation is with a GE Appliances RVKit. For other reverse osmosis water systems, follow the manufacturer's recommendations.

If the water supply to the refrigerator is from a Reverse Osmosis Water Filtration System AND the refrigerator also has a water filter, use the refrigerator's filter bypass plug. Using the refrigerator's water filtration cartridge in conjunction with the RO filter can result in hollow ice cubes and slower water flow from the water dispenser.

This water line installation is not warranted by the refrigerator or icemaker manufacturer. Follow these instructions carefully to minimize the risk of expensive water damage.

Water hammer (water banging in the pipes) in house plumbing can cause damage to refrigerator parts and lead to water leakage or flooding. Call a qualified plumber to correct water hammer before installing the water supply line to the refrigerator.

To prevent burns and product damage, do not hook up the water line to the hot water line.

If you use your refrigerator before connecting the water line, make sure the feeler arm is in the OFF position.

Do not install the icemaker tubing in areas where temperatures fall below freezing.

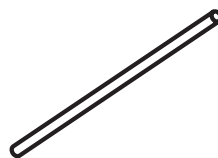
When using any electrical device (such as a power drill) during installation, be sure the device is double insulated or grounded in a manner to prevent the hazard of electric shock, or is battery powered.

All installations must be in accordance with local plumbing code requirements.

▲ WARNING

Connect to potable water supply only.

WHAT YOU WILL NEED



- Copper or SmartConnect™ Refrigerator Tubing kit, 1/4" outer diameter to connect the refrigerator to the water supply. If using copper, be sure both ends of the tubing are cut square.

To determine how much tubing you need: measure the distance from the water valve on the back of the refrigerator to the water supply pipe. Then add 8 feet (2.4 m). Be sure there is sufficient extra tubing (about 8 feet [2.4 m] coiled into 3 turns of about 10" [25 cm] diameter) to allow the refrigerator to move out from the wall after installation.

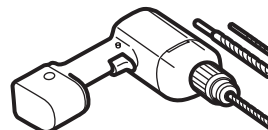
SmartConnect™ Refrigerator Tubing Kits are available in the following lengths:

- | | |
|-------------|--------------|
| 2' (.6 m) | – WX08X10002 |
| 8' (2.4 m) | – WX08X10006 |
| 15' (4.6 m) | – WX08X10015 |
| 25' (7.6 m) | – WX08X10025 |

Be sure that the kit you select allows at least 8 feet (2.4 m) as described above.

NOTE: The only GE Appliances approved plastic tubing is that supplied in SmartConnect™ Refrigerator Tubing kits. Do not use any other plastic water supply line because the line is under pressure at all times. Certain types of plastic will crack or rupture with age and cause water damage to your home.

- A GE Appliances water supply kit (containing tubing, shutoff valve and fittings listed below) is available at extra cost from your dealer or from Parts and Accessories, 1.800.661.1616.
- A cold water supply. The water pressure must be between 20 and 120 p.s.i. (138-827 kilopascals) on models without a water filter and between 40 and 120 p.s.i. (138-827 kilopascals) on models with a water filter.



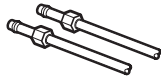
- Power drill.
- 1/2" or adjustable wrench.
- Straight and Phillips blade screwdriver.

Installation Instructions

INSTALLING THE WATER LINE (Continued)

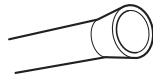
WHAT YOU WILL NEED (Cont.)

- Two 1/4" outer diameter compression nuts and 2 ferrules (sleeves)—to connect the copper tubing to the shutoff valve and the refrigerator water valve.



OR

- If you are using a SmartConnect™ Refrigerator Tubing kit, the necessary fittings are preassembled to the tubing.



- If your existing copper water line has a flared fitting at the end, you will need an adapter (available at plumbing supply stores) to connect the water line to the refrigerator OR you can cut off the flared fitting with a tube cutter and then use a compression fitting. Do not cut formed end from SmartConnect™ Refrigerator tubing.



- Shutoff valve to connect to the cold water line. The shutoff valve should have a water inlet with a minimum inside diameter of 5/32" at the point of connection to the COLD WATER LINE. Saddle-type shutoff valves are included in many water supply kits. Before purchasing, make sure a saddle-type valve complies with your local plumbing codes.

Install the shutoff valve on the nearest frequently used drinking water line.

1 SHUT OFF THE MAIN WATER SUPPLY

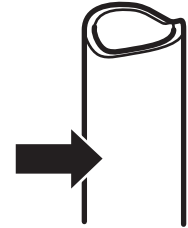
Turn on the nearest faucet long enough to clear the line of water.

⚠ WARNING

To reduce the risk of electric shock or injury during installation, you must first unplug the refrigerator before proceeding.

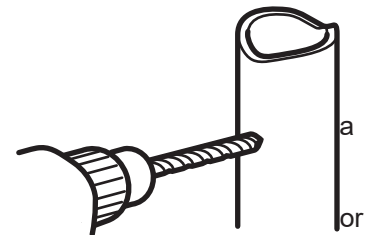
2 CHOOSE THE VALVE LOCATION

Choose a location for the valve that is easily accessible. It is best to connect into the side of a vertical water pipe. When it is necessary to connect into a horizontal water pipe, make the connection to the top or side, rather than at the bottom, to avoid drawing off any sediment from the water pipe.



3 DRILL THE HOLE FOR THE VALVE

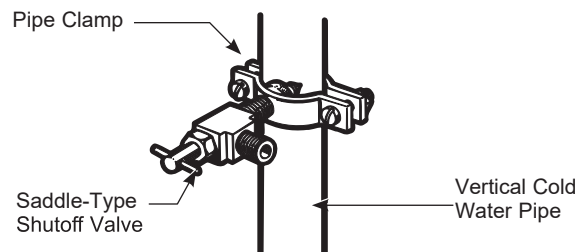
Drill a 1/4" hole in the water pipe (even if using a self-piercing valve) using a sharp bit. Remove any burrs resulting from drilling the hole in the pipe. Take care not to allow water to drain into the drill. Failure to drill 1/4" hole may result in reduced ice production smaller cubes.



4 FASTEN THE SHUTOFF VALVE

Fasten the shutoff valve to the cold water pipe with the pipe clamp.

NOTE: Commonwealth of Massachusetts Plumbing Codes 248CMR shall be adhered to. Saddle valves are illegal and use is not permitted in Massachusetts. Consult with your licensed plumber.



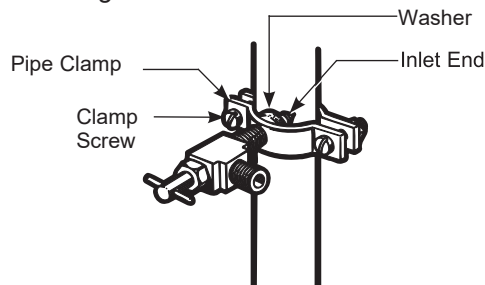
Installation Instructions

INSTALLING THE WATER LINE (Continued)

5 TIGHTEN THE PIPE CLAMP

Tighten the clamp screws until the sealing washer begins to swell.

NOTE: Do not overtighten or you may crush the tubing.



NOTE: Commonwealth of Massachusetts Plumbing Codes 248CMR shall be adhered to. Saddle valves are illegal and use is not permitted in Massachusetts. Consult with your licensed plumber.

8 FLUSH OUT THE TUBING

Turn the main water supply on and flush out the tubing until the water is clear.

Shut the water off at the water valve after about one quart (1 liter) of water has been flushed through the tubing.



6 ROUTE THE TUBING

Route the tubing between the cold water line and the refrigerator.

Route the tubing through a hole drilled in the wall or floor (behind the refrigerator or adjacent base cabinet) as close to the wall as possible.

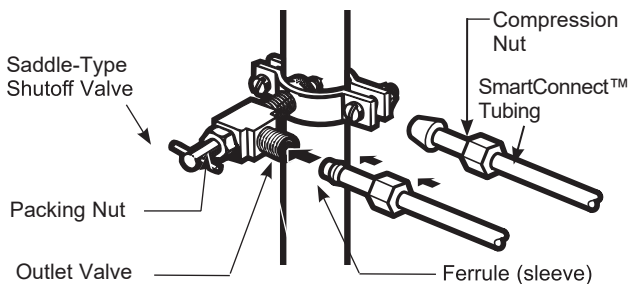
NOTE: Be sure there is sufficient extra tubing [about 8 feet (244 cm) coiled into 3 turns of about 10" (25 cm) diameter] to allow the refrigerator to move out from the wall after installation.

7 CONNECT THE TUBING TO THE VALVE

Place the compression nut and ferrule (sleeve) for copper tubing onto the end of the tubing and connect it to the shutoff valve.

Make sure the tubing is fully inserted into the valve. Tighten the compression nut securely.

For plastic tubing from a SmartConnect™ Refrigerator Tubing kit, insert the molded end of the tubing into the shutoff valve and tighten compression nut until it is hand tight, then tighten one additional turn with a wrench. Overtightening may cause leaks.



9 CONNECT THE TUBING TO THE REFRIGERATOR

NOTES:

- Before making the connection to the refrigerator, be sure the refrigerator power cord is not plugged into the wall outlet.
- If your refrigerator does not have a water filter we recommend installing one. If your water supply has sand or particles that could clog the screen of the refrigerator's water valve. Install it in the water line near the refrigerator. If using SmartConnect™ Refrigerator Tubing kit, you will need an additional tube (WX08X10002) to connect the filter. Do not cut plastic tube to install filter.

⚠ WARNING To reduce the risk of death or electric shock, you must follow these instructions:

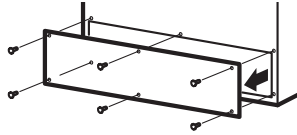
- Unplug the refrigerator before removing any panels.
- Do not contact or damage any wiring while the panel is removed.
- Replace all parts and panels before plugging the refrigerator back in.

Installation Instructions

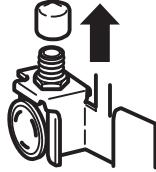
INSTALLING THE WATER LINE (Continued)

9 CONNECT THE TUBING TO THE REFRIGERATOR (CONT.)

If your refrigerator has an access cover, remove it.



Remove the plastic flexible cap from the water valve (refrigerator connection).



Place the compression nut and ferrule (sleeve) onto the end of the tubing as shown. On SmartConnect™ Refrigerator Tubing kit, the nuts are already assembled to the tubing.

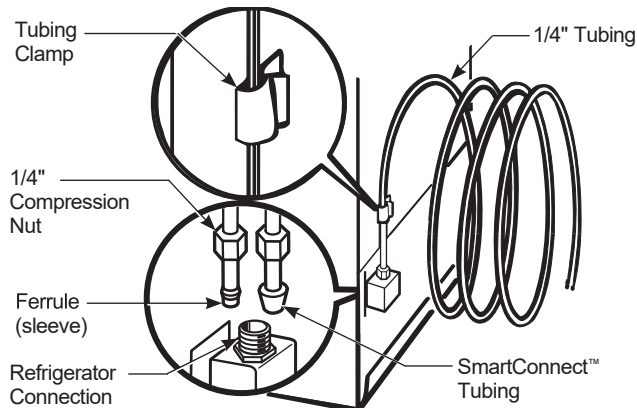
Insert the end of the tubing into the water valve connection as far as possible. While holding the tubing, tighten the fitting.

For plastic tubing from a SmartConnect Refrigerator Tubing kit, insert the molded end of the tubing into the refrigerator connection and tighten compression nut until it is hand tight, then tighten one additional turn with a wrench. Overtightening may cause leaks.

Fasten the tubing into the clamp provided to hold it in a vertical position. You may need to pry open the clamp.

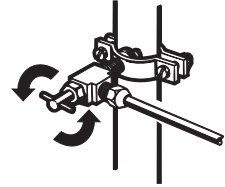
⚠ WARNING **ELECTRICAL SHOCK HAZARD**

Attach tubing clamp using existing hole only. DO NOT drill into the refrigerator.

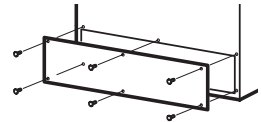


10 TURN THE WATER ON AT THE SHUTOFF VALVE

Tighten any connections that leak.

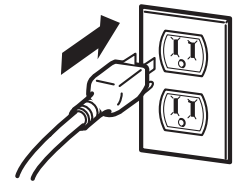


If your refrigerator has an access cover, reattach it.

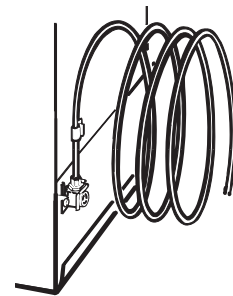


11 INSTALLING THE REFRIGERATOR

Plug in the refrigerator.

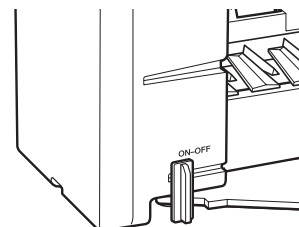


Arrange the coil of tubing so that it does not vibrate against the back of the refrigerator or against the wall. Push the refrigerator back to the wall.



12 START THE ICEMAKER

Set the icemaker power switch to the ON position. The icemaker will not begin to operate until it reaches its operating temperature of 15°F (-9°C) or below. It will then begin operation automatically if the icemaker power switch is in the ON position.



Installation Instructions

ICEMAKER INSTALLATION INSTRUCTIONS

BEFORE YOU BEGIN

Read each step thoroughly before proceeding.

⚠ WARNING To eliminate the risk of electric shock or injury during installation, you must first unplug the refrigerator before proceeding. Failure to follow these instructions can result in electrical shock.



2 REPOSITION FREEZER SHELF

Make sure the freezer shelf is in the lowest position.

3 PREPARE FOR INSTALLATION

For unit without factory installed icemaker, there is an installation instruction label on the back of the unit that indicates which installation method to use. Follow the icemaker installation manual that comes with your icemaker kit carefully to complete the icemaker installation.

TOOLS YOU WILL NEED



Flat blade and Phillips screwdrivers



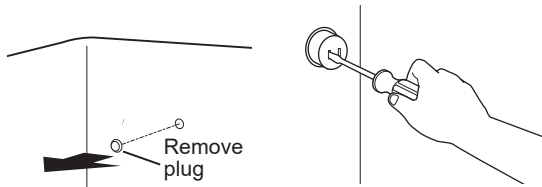
Pliers



Sharp knife

1 PREPARE FOR INSTALLATION

- Remove and discard the large white plug from the rear freezer wall.
- Remove the outlet cover with a flat-blade screwdriver.



Installation Instructions

REVERSING THE DOOR SWING

⚠ WARNING Follow all steps when reversing the door swing. Failure to follow these instructions, leaving off parts, or overtightening screws, can lead to the door falling off and result in injury and property damage.

IMPORTANT NOTES

When reversing the door swing:

- Read the instructions all the way through before starting.
- Handle parts carefully to avoid scratching paint.
- Set screws down by their related parts to avoid using them in the wrong places.
- Provide a non-scratching work surface for the doors.

IMPORTANT: Once you begin, do not move the cabinet until door-swing reversal is completed.

These instructions are for changing the hinges from the right side to the left side—if you ever want to change the hinges back to the right side, follow these same instructions and reverse all references to left and right.

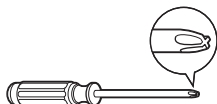
Unplug the refrigerator from its electrical outlet.

NOTE: Do not let either door drop to the floor. To do so could damage the door stop.

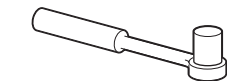
⚠ CAUTION Lifting Hazard

The Fresh Food and Freezer doors are heavy Use both hands to secure the doors before lifting.

TOOLS YOU WILL NEED



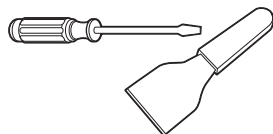
Phillips screwdriver



5/16" socket and ratchet



Masking tape



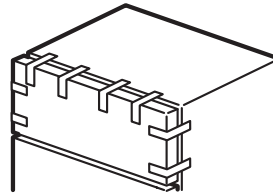
Putty knife or thin-blade screwdriver



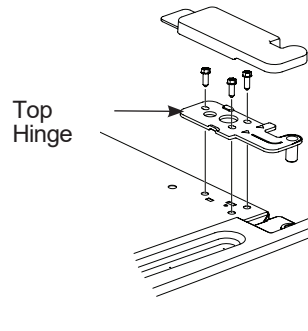
Allen wrench (Stainless Steel Handle Models)

1 REMOVE FREEZER DOOR

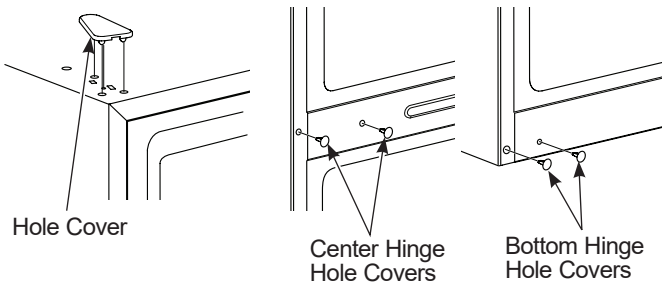
1. Remove all food from the inner door liner.
2. Tape the door shut with masking tape.



3. Remove the hinge cover on top of the freezer door with a thin-blade screwdriver.
4. Remove the three screws with a 5/16" socket and ratchet, then lift the hinge straight up to free the hinge pin from the socket in the top of the door.



5. Remove the tape and tilt the door away from the cabinet. Lift it off the center hinge pin.
6. Remove the hole covers with a putty knife on the opposite side of the three hinges.



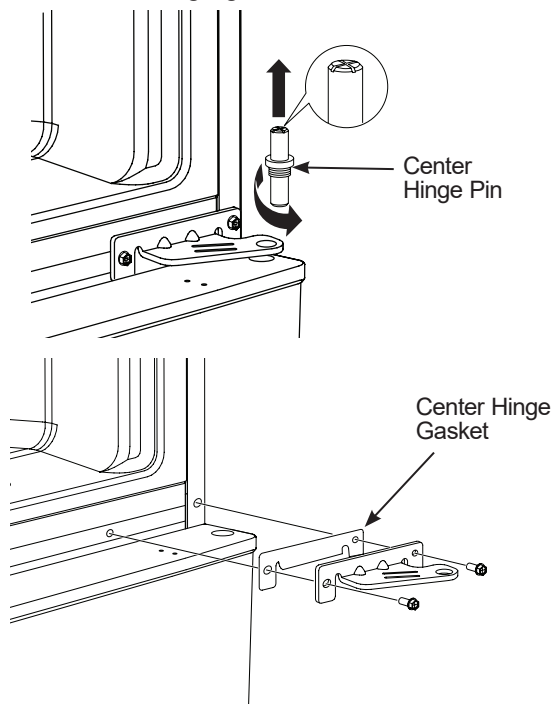
7. Set the door on a non-scratching surface with the inside up.

Installation Instructions

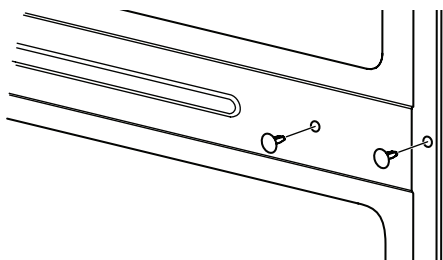
REVERSING THE DOOR SWING (Cont.)

2 REMOVE REFRIGERATOR DOOR

1. Remove all food from the inner door liner.
2. Tape the door shut with masking tape.
3. Remove the center hinge pin with a Phillips screwdriver.
4. Remove the center hinge by removing two hinge screws with a 5/16" socket and ratchet. Save the center hinge, hinge pin, screws and center hinge gasket.

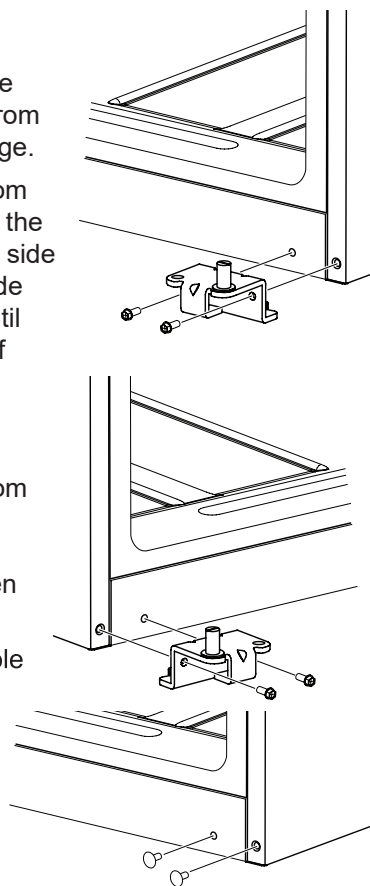


5. Remove the tape and tilt the door away from the cabinet. Lift the door straight up to free its bottom socket from the pin in the bottom hinge bracket.
6. Set the door on a non-scratching surface with the inside up.
7. Install the 2 hole plugs from the opposite side of the cabinet to the screw holes vacated by the center hinge removal.



3 TRANSFER BOTTOM HINGE TO THE LEFT

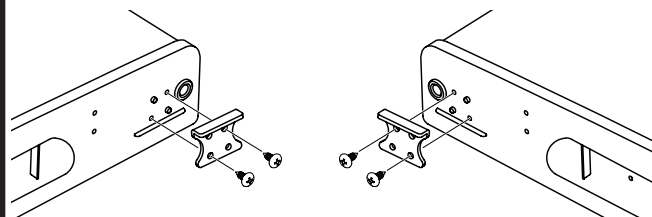
1. Using a 5/16 Socket and ratchet, remove the 2 screws from the bottom hinge.
2. Move the bottom hinge pin from the right to the left side with a thin-blade screwdriver until the shoulder of the hinge pin is touching the hinge.
3. Move the bottom hinge from the right to the left side and tighten the 2 screws.
4. Install the 2 hole plugs from the opposite side of the cabinet to the screw holes vacated by the bottom hinge removal.



▲WARNING Follow all steps when reversing the door swing. Failure to follow these instructions, leaving off parts, or overtightening screws, can lead to the door falling off and result in injury and property damage.

4 TRANSFER DOOR STOP TO THE LEFT

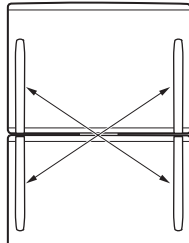
1. On both the refrigerator and freezer doors, remove the screws from the door stop on the right with a Phillips screwdriver.
2. Install the door stop on the left of each door.



Installation Instructions

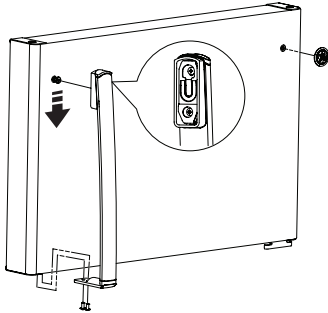
REVERSING THE DOOR SWING (Cont.)

3 REVERSING DOOR HANDLES – TRANSFER FREEZER DOOR HANDLE TO THE RIGHT SIDE OF THE REFRIGERATOR DOOR

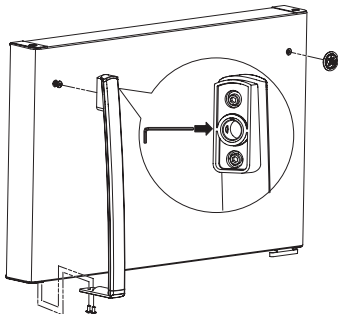


1. Remove the two screws securing the bottom end of the handle with a Phillips screwdriver and remove the GE Appliances badge.

2. **For Plastic handles:** Pull handle down and off of the fastener on the door.



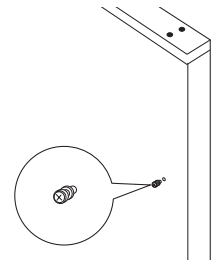
- For Stainless Steel handles:** Loosen the set screw on the handle with 1/8" wrench and remove handle.



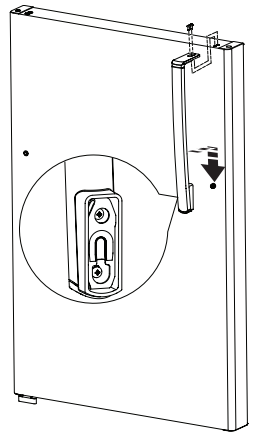
3. Remove the fastener from the surface of the freezer door, and cover the new vacant hole with the GE Appliances Badge. (For a new unit, the GE Appliances Badge can be found in your handle kit. If you need a new badge call 800.GE.CARES (800.432.2737) (in Canada call 800.561.3344).

3 REVERSING DOOR HANDLES – TRANSFER FREEZER DOOR HANDLE TO THE RIGHT SIDE OF THE REFRIGERATOR DOOR (Cont.)

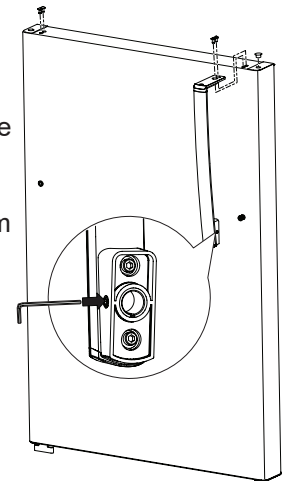
4. Remove the plug button from the surface of the right side of the refrigerator door and insert the fastener with a Phillips screwdriver.



5. **For Plastic handle:** Attach handle to fresh food door on fastener and slide downward to lock in place with the screws at the top of the handle.



- For Stainless Steel handle:** Attach handle to fresh food door with screws at the top of the handle. Use 1/8" allen wrench to tighten the set screw at the bottom of the handle.



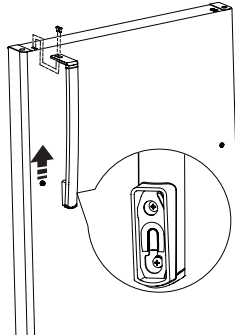
NOTE: Do not over-tighten.

Installation Instructions

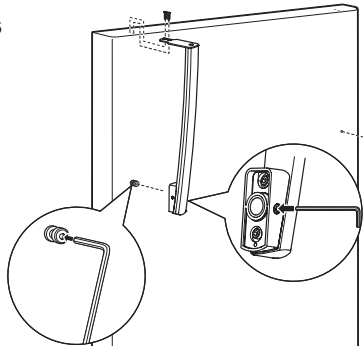
REVERSING THE DOOR SWING (Cont.)

4 REVERSING DOOR HANDLES – TRANSFER REFRIGERATOR DOOR HANDLE TO THE RIGHT SIDE OF THE FREEZER DOOR

1. Remove the two screws securing the top end of the handle with a Phillips screwdriver and remove the GE Appliances badge.
2. **For Plastic handle:** Pull handle up and off of the fastener on the door



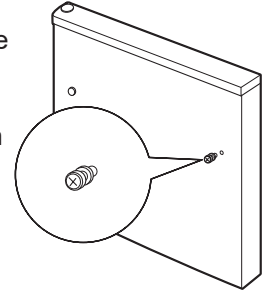
For Stainless Steel handle:
Loosen set screw on handle with 1/8" wrench and remove handle.



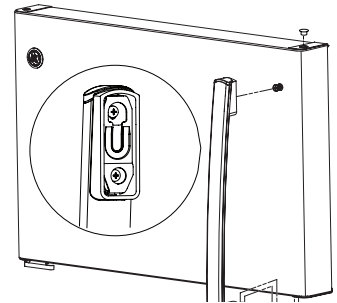
3. Remove the fastener from the surface of the refrigerator door, and cover the new vacant hole with the plug from the opposite side.

4 REVERSING DOOR HANDLES – TRANSFER REFRIGERATOR DOOR HANDLE TO THE RIGHT SIDE OF THE FREEZER DOOR (Cont.)

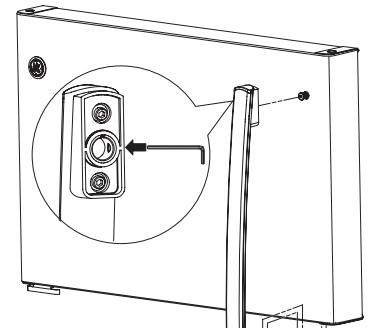
4. Remove the plug button from the surface of the right side of the refrigerator door and insert the fastener with a Phillips screwdriver.



5. **For Plastic handle:**
Attach handle to fresh food door on fastener and slide downward to lock in place with the screws at the top of the handle.



- For Stainless Steel handle:**
Attach handle to fresh food door with screws at the top of the handle. Use 1/8" allen wrench to tighten the set screw at the bottom of the handle.



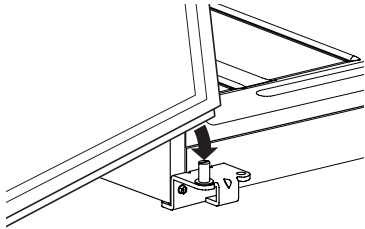
NOTE: Do not over-tighten.

Installation Instructions

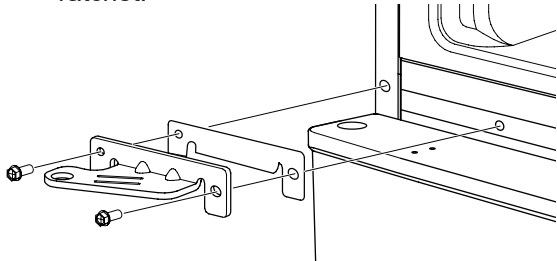
REVERSING THE DOOR SWING (Cont.)

5 REHANG THE REFRIGERATOR DOOR

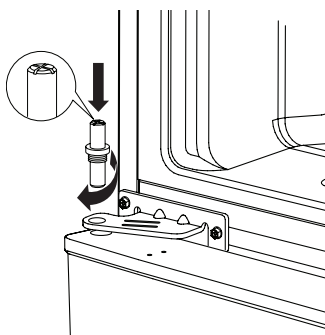
1. Lower the refrigerator door onto the bottom hinge pin.



2. While holding the door securely, align the socket in the door with the hole in the center hinge. Attach the center hinge and gasket with two screws with a 5/16" socket and ratchet.

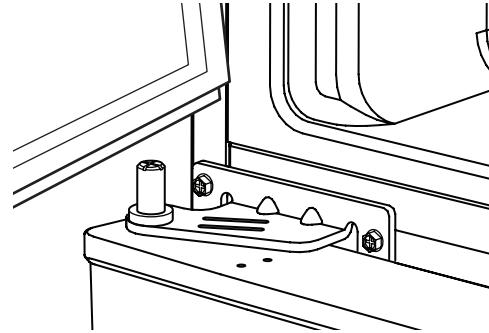


3. Check to ensure the alignment between the socket in the door and the hole in the center hinge. Insert the hinge pin into the center hinge and tighten with a Phillips screwdriver until the shoulder of the hinge pin is touching the center hinge.



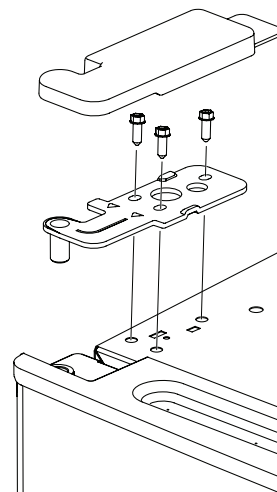
8 REHANG THE FREEZER DOOR

1. Lower the freezer door onto the center hinge pin.



2. Place the left top hinge so the pin fits into the door socket. (Left top hinge and cover can be found inside of the product. Call GE Appliances Service at 800.GE.CARES (800.432.2737 or in Canada call 1.800.561.3344 / 1.800.661.1616, if parts are missing.) Support the door on the handle side and make sure the door is straight and the gap between the doors is even across the front. While holding the door in place tighten the top hinge screws.

Do not overtighten these screws. Tighten them until they are just snug, and then turn them another one-half turn.



3. Snap the left top hinge cover over the hinge.

Normal Operating Sounds

Newer refrigerators sound different from older refrigerators. Modern refrigerators have more features and use newer technology.

Do you hear what I hear? These sounds are normal.

HUMMM...

WHOOSH...

- The new high efficiency compressor may run faster and longer than your old refrigerator and you may hear a high-pitched hum or pulsating sound while it is operating.
- You may hear a whooshing sound when the doors close. This is due to pressure equalizing within the refrigerator.

WHIR!



- You may hear the fans spinning at high speeds. This happens when the refrigerator is first plugged in, when the doors are opened frequently or when a large amount of food is added to the refrigerator or freezer compartments. The fans are helping to maintain the correct temperatures.

CLICKS, POPS, CRACKS and CHIRPS

- You may hear cracking or popping sounds when the refrigerator is first plugged in. This happens as the refrigerator cools to the correct temperature.
- The compressor may cause a clicking or chirping sound when attempting to restart (this could take up to 5 minutes).
- Expansion and contraction of cooling coils during and after defrost can cause a cracking or popping sound.
- On models with an icemaker, after an icemaking cycle, you may hear the ice cubes dropping into the ice bucket.
- On models with a dispenser, during water dispense, you may hear the water lines move at initial dispense and after dispenser button is released.

WATER SOUNDS

- The flow of refrigerant through the freezer cooling coils may make a gurgling noise like boiling water.
- Water dropping on the defrost heater can cause a sizzling, popping or buzzing sound during the defrost cycle.



- A water dripping noise may occur during the defrost cycle as ice melts from the evaporator and flows into the drain pan.
- Closing the door may cause a gurgling sound due to pressure equalization.

Troubleshooting Tips... Before you call for service

Save time and money! Review the charts on the following pages first and you may not need to call for service. If needed, service can be scheduled by visiting us online GEAppliances.com or calling 800.GECARES 800.432.2737. In Canada visit GEAppliances.ca or call 1.800.561.3344.

Problem	Possible Causes	What To Do
Freezer door pops open when refrigerator door is closed	This is normal if, after popping open, the freezer door closed on its own.	This indicates that there is a good seal on the freezer door. If the freezer door does not automatically close after popping open, the rollers need adjusting. See Rollers and Leveling Legs.
Door does not close by itself	Leveling legs need adjusting.	See Rollers and Leveling Legs.
Refrigerator does not operate	Refrigerator in defrost cycle.	Wait about 40 minutes for defrost cycle to end.
	Refrigerator control in 1 (off) position.	Move the refrigerator and freezer control to a temperature setting.
	Refrigerator is unplugged.	Push the plug completely into the outlet.
	The fuse is blown/circuit breaker is tripped.	Replace fuse or reset the breaker.
Vibration or rattling (slight vibration is normal)	Refrigerator is not resting on all four rollers.	Adjust leveling legs (See Rollers and Leveling Legs).
Motor operates for long periods or cycles on and off frequently (Modern refrigerators with more storage space and a larger freezer require more operating time. They start and stop often to maintain even temperatures.)	Normal when refrigerator is first plugged in.	Wait 24 hours for the refrigerator to completely cool down.
	Often occurs when large amounts of food are placed in refrigerator.	This is normal.
	Door left open.	Check to see if package is holding door open.
	Hot weather or frequent door openings.	This is normal.
	Temperature controls set at the coldest setting.	See About the controls.
Refrigerator or freezer compartment too warm	Temperature control not set cold enough.	See About the controls.
	Warm weather or frequent door openings.	Set the temperature control one step colder. See About the controls.
	Door left open.	Check to see if package is holding door open.
	Freezer door popped open.	See the problem Freezer door pops open when refrigerator door is closed.
Frost or ice crystals on frozen food (frost within package is normal)	Door left open.	Check to see if package is holding door open.
	Too frequent or too long door openings.	
	Food blocking freezer air vents.	Move items away from the back wall of the freezer.
Frequent "buzzing" sound	Icemaker feeler arm is in the ON (down) position, but the water supply to the refrigerator has not been connected.	Set the feeler arm to the STOP (up) position. Keeping it in the ON (down) position will damage the water valve.
Small or hollow cubes	Water filter clogged.	Replace filter cartridge with new cartridge or with plug.
Automatic icemaker (on some models) does not work	Ice maker feeler arm is not set ON.	Move the feeler arm to the ON position.
	Water supply turned off or not connected.	See Installing the water line.
	Freezer compartment too warm.	Wait 24 hours for the refrigerator to completely cool down.
	Piled up cubes in the storage bin cause the icemaker to shut off.	Level cubes by hand.
	Ice cubes stuck in icemaker. (Green power light on icemaker blinking.)	Turn off the icemaker, remove cubes and turn the icemaker back on.

Troubleshooting Tips... Before you call for service

Problem	Possible Causes	What To Do
Ice cubes have odor/taste	Ice storage bin needs cleaning.	Empty and wash bin. Discard old cubes.
	Food transmitting odor/taste to ice cubes.	Wrap foods well.
	Interior of refrigerator needs cleaning.	See Care and cleaning.
Slow ice cube freezing	Door left open.	Check to see if package is holding door open.
	Temperature control not set cold enough.	See About the controls. A newly installed refrigerator may take 12–24 hours to begin making ice cubes.
Moisture forms on cabinet surface between the doors	Not unusual during periods of high humidity.	Wipe surface dry; then adjust the fresh food control setting one number higher and check again in 24 hours.
Refrigerator has odor	Foods transmitting odor to refrigerator.	Foods with strong odors should be tightly wrapped. Keep an open box of baking soda in the refrigerator; replace every three months.
	Interior needs cleaning.	See Care and cleaning.
Moisture collects inside (in humid weather, air carries moisture into refrigerator when doors are opened)	Too frequent or too long door openings.	
	Open containers of water or warm food in the refrigerator.	Cover or seal open containers. During a defrost cycle, moisture will be removed from the refrigerator, but may return with long or frequent door openings.
Refrigerator compartment light does not work	No power at outlet.	Replace fuse or reset the breaker.
	Light bulb burned out or loose.	See Replacing the light bulbs.
Hot air from bottom of refrigerator.	Normal air flow cooling motor. In the refrigeration process, it is normal that heat be expelled in the area under the refrigerator. Some floor coverings will discolor at these normal and safe temperatures.	
Food freezing in the refrigerator	Food too close to the air vent at the back of the refrigerator.	Move the food away from the air vent (near the controls).
	Refrigerator control is set too cold.	Move the refrigerator control to a warmer Temperature setting one increment at a time.
Orange glow in the freezer	Defrost heater is on.	This is normal.
Door bins do not fit in the door	The freezer door bins are a different size than the refrigerator door bins.	Try to install the bins in both doors.
Controls do not light up controls.	Some models do not have lighted controls.	If you can read white numbers on the control setting, the model does not have lighted
	Refrigerator light bulb burned out or loose.	See Replacing the light bulbs.
Water has poor taste/odor	Water dispenser has not been used for a long time.	Dispense water until all water in system is replenished.
Water in first glass is warm	Normal when refrigerator is first installed.	Wait 24 hours for the refrigerator to completely cool down.
	Water dispenser has not been used for a long time.	Dispense water until all water in system is replenished.
	Water system has been drained.	Allow several hours for replenished supply to chill.
No water or ice cube production	Supply line or shutoff valve is clogged.	Call a plumber.

Refrigerator Limited Warranty

For US Customers, all warranty service provided by our Factory Service Centers, or an authorized Customer Care® technician. To schedule service, on-line, 24 hours a day, visit us at **GEAppliances.com**, or call 800.GE.CARES (800.432.2737). Please have serial number and model number available when calling for service.
In Canada, visit **GEAppliances.ca** or call 1.800.561.3344.

Service your refrigerator may require the use of the onboard data port for diagnostics. This gives a GE Appliances Factory Service technician the ability to quickly diagnose any issues with your appliance and helps improve its products by providing information on your appliance. If you do not want your appliance data to be sent to GE Appliances, please advise your technician NOT to submit the data at the time of service.

For the Period of:	GE Appliances Will Replace
One Year From the date of the original purchase	Any part of the refrigerator which fails due to a defect in materials or workmanship. During the limited one-year warranty , GE Appliances will also provide, free of charge , all labor and related service to replace the defective part.

What is Not Covered:

- Service trips to your home to teach you how to use the product.
- Improper installation, delivery or maintenance.
- Failure of the product if it is abused, misused, or used for other than the intended purpose or used commercially.
- Loss of food due to spoilage.
- Replacement of house fuses or resetting of circuit breakers.
- Damage caused after delivery.
- Replacement of the water filter cartridge, if included, due to water pressure that is outside the specified operating range or due to excessive sediment in the water supply.
- Replacement of the light bulbs, if included, or water filter cartridge, if included, other than as noted above.
- Damage to the product caused by accident, fire, floods or acts of God.
- Incidental or consequential damage caused by possible defects with this appliance.
- Product not accessible to provide required service.
- Damage caused by a non-GE Appliances Brand water filter.
- Damage to finish, such as surface rust, tarnish, or small blemishes not reported within 48 hours of delivery.
- Products which are not defective, broken, or which are working as described in the owner's manual.

EXCLUSION OF IMPLIED WARRANTIES—Your sole and exclusive remedy is product repair as provided in this Limited Warranty. Any implied warranties, including the implied warranties of merchantability or fitness for a particular purpose, are limited to one year or the shortest period allowed by law.

For US Customers: This warranty is extended to the original purchaser and any succeeding owner for products purchased for home use within the USA. If the product is located in an area where service by a GE Appliances Authorized Servicer is not available, you may be responsible for a trip charge or you may be required to bring the product to an Authorized GE Appliances Service location for service. In Alaska, the warranty excludes the cost of shipping or service calls to your home.

Some states do not allow the exclusion or limitation of incidental or consequential damages. This warranty gives you specific legal rights, and you may also have other rights which vary from state to state. To know what your legal rights are, consult your local or state consumer affairs office or your state's Attorney General.

Warrantor US: GE Appliances, a Haier company
Louisville, KY 40225

For Customers in Canada: This warranty is extended to the original purchaser and any succeeding owner for products purchased in Canada for home use within Canada. In-home warrant service will be provided in areas where it is available and deemed reasonable by Mabe to provide.

Warrantor Canada: MC Commercial, Burlington, ON Canada, L7R 5B6

Staple your receipt here. Proof of the original purchase date is needed to obtain service under the warranty.

Consumer Support

GE Appliances Website

Have a question or need assistance with your appliance? Try the GE Appliances Website 24 hours a day, any day of the year! You can also shop for more great GE Appliances products and take advantage of all our on-line support services designed for your convenience. In the US: **GEAppliances.com** In Canada: **GEAppliances.ca**

Register Your Appliance

Register your new appliance on-line at your convenience! Timely product registration will allow for enhanced communication and prompt service under the terms of your warranty, should the need arise. You may also mail in the pre-printed registration card included in the packing material.

In the US: **GEAppliances.com/register**

In Canada: **Prodsupport.mabe.ca/crm/Products/ProductRegistration.aspx**

Schedule Service

Expert GE Appliances repair service is only one step away from your door. Get on-line and schedule your service at your convenience any day of the year.

In the US: **GEAppliances.com/service** or call 800.432.2737 during normal business hours.

In Canada: **GEAppliances.ca/en/support/service-request** or call 800.561.3344

Extended Warranties

Purchase a GE Appliances extended warranty and learn about special discounts that are available while your warranty is still in effect. You can purchase it on-line anytime. GE Appliances Services will still be there after your warranty expires.

In the US: **GEAppliances.com/extended-warranty** or call 800.626.2224 during normal business hours.

In Canada: **GEAppliances.ca/en/support/purchase-extended-warranty** or call 1.800.561.3344

Remote Connectivity

For assistance with wireless network connectivity (for models with remote enable), visit our website at **GEAppliances.com/connected-home-smart-appliances/** or call 800.220.6899 in the US only.

Parts and Accessories

Individuals qualified to service their own appliances can have parts or accessories sent directly to their homes (VISA, MasterCard and Discover cards are accepted). Order on-line today 24 hours every day.

In the US: **GEApplianceparts.com** or by phone at 877.959.8688 during normal business hours.

Instructions contained in this manual cover procedures to be performed by any user. Other servicing generally should be referred to qualified service personnel. Caution must be exercised, since improper servicing may cause unsafe operation.

Customers in Canada should consult the yellow pages for the nearest Mabe service center, visit our website at **GEAppliances.ca/en/products/parts-filters-accessories** or call 800.661.1616.

Contact Us

If you are not satisfied with the service you receive from GE Appliances, contact us on our Website with all the details including your phone number, or write to:

In the US: General Manager, Customer Relations | GE Appliances, Appliance Park | Louisville, KY 40225

GEAppliances.com/contact

In Canada: MC Commercial, Burlington, ON Canada, L7R 5B6

GEAppliances.ca/en/contact-us



Congélateur supérieur

RÉFRIGÉRATEUR

MESURES DE SÉCURITÉ3

UTILISATION DU RÉFRIGÉRATEUR

Commandes5

Clayettes et bacs6

Bacs à légumes et à casse-croûte7

Machine à glaçons automatique8

SOINS ET NETTOYAGE9

Nettoyage de l'extérieur9

Nettoyage de l'intérieur9

Le condenseur9

Déplacement du réfrigérateur10

Préparation de départ en vacances10

Préparation de déménagement10

Remplacement de l'ampoule électrique10

INSTRUCTIONS D'INSTALLATION

Préparation à l'installation du réfrigérateur11

Installation de la conduite d'eau12

Installation de la machine à glaçons16

Reversing the Door Swing17

DÉPANNAGE

Bruits normaux de fonctionnement22

Conseils de dépannage23

GARANTIE LIMITÉE27

SOUTIEN AU CONSOMMATEUR28

MANUEL D'UTILISATION ET INSTRUCTIONS D'INSTALLATION

GTE21
GIE21

FRANÇAIS

Écrivez ici le numéro de modèle et le numéro de série :

Modèle # _____

Série # _____

Vous les trouvez sur une étiquette dans le coin supérieur gauche du compartiment réfrigérateur .

NOUS VOUS REMERCIONS D'ACCUEILLIR GE APPLIANCES CHEZ VOUS

Que vous ayez grandi avec GE Appliances ou qu'il s'agisse de votre première acquisition, nous sommes heureux de vous accueillir dans notre famille.

Nous sommes fiers du savoir-faire, de l'innovation et de l'esthétique qui composent chaque appareil GE Appliances, et nous pensons que vous le serez aussi. Dans cette optique, nous vous rappelons que l'enregistrement de votre électroménager vous assure la communication de renseignements importants sur le produit et la garantie lorsque vous en avez besoin.

Enregistrez votre électroménager GE en ligne dès maintenant. Des sites Web et des numéros de téléphone utiles figurent dans la section Soutien au consommateur de ce manuel d'utilisation. Vous pouvez aussi poster la fiche de garantie pré-imprimée incluse dans l'emballage.



GE APPLIANCES

INFORMATION DE SÉCURITÉ IMPORTANTES

LISEZ TOUTES LES DIRECTIVES AVANT D'UTILISER L'APPAREIL

⚠ AVERTISSEMENT

Pour réduire le risque d'incendie, d'explosion, de choc électrique ou de blessures lorsque vous utilisez votre réfrigérateur, veuillez suivre ces consignes de sécurité :

- Ce réfrigérateur doit être correctement installé conformément aux instructions d'installation avant toute utilisation.
- Débranchez le réfrigérateur avant d'effectuer une réparation, de remplacer une ampoule ou de le nettoyer.
Remarque : L'alimentation du réfrigérateur ne peut être déconnectée par aucune des fonctions sur le panneau de commande.
Remarque : Les réparations doivent être effectuées par un professionnel qualifié.
- Remettez toutes les pièces et panneaux en place avant d'utiliser l'appareil.
- Abstenez-vous d'entreposer ou d'utiliser de l'essence ou d'autres vapeurs et liquides inflammables aux alentours de cet électroménager ou d'autres appareils.
- N'entreposez pas dans cet électroménager des substances explosives telles que des bombes aérosols qui contiennent un gaz propulseur.
- N'utilisez pas un cordon de rallonge.
- Afin de prévenir les risques d'asphyxie et d'enfermement des enfants, enlevez les portes des compartiments réfrigérateur et congélateur avant de mettre le réfrigérateur au rebut ou d'en cesser l'usage.
- Afin de prévenir les accidents graves ou la mort, les enfants ne doivent pas se tenir ni jouer dans ou sur l'électroménager.
- Les enfants et les personnes dont les capacités sont réduites sur le plan physique, sensoriel ou mental, ou qui manquent d'expérience ou de connaissances, peuvent utiliser cet électroménager seulement si elles sont surveillées ou ont reçues des consignes de sécurité sur son usage et les risques y sont associés.
- Cet électroménager est conçu pour une utilisation domestique et applications similaires : salle du personnel dans une usine, un bureau ou d'autres lieux de travail; maison de ferme; clients dans un hôtel, un motel, un gîte touristique et d'autres lieux résidentiels; approvisionnement et applications similaires non reliées au commerce de détail.

⚠ ATTENTION

Pour réduire le risque de blessures lorsque vous utilisez votre réfrigérateur, veuillez suivre ces consignes de sécurité.

- Ne nettoyez pas les tablettes ou les couvercles en verre avec de l'eau tiède quand ceux-ci sont froids. Les tablettes et couvercles en verre peuvent se casser s'ils sont exposés à des changements soudains de température ou si vous les cognez ou les faites tomber. Le verre trempé est conçu pour se briser en petits morceaux en cas de casse.
- Éloignez les doigts des parties du congélateur où l'on peut facilement se pincer : les espaces entre les portes, et entre les portes et les placards sont toujours étroits. Soyez prudent lorsque vous fermez les portes en présence d'enfants.
- Ne touchez pas les surfaces froides du congélateur lorsque vous avez les mains humides ou mouillées. La peau risque d'adhérer à ces surfaces extrêmement froides.
- Ne recongelez pas les aliments surgelés qui ont complètement dégelé.
- Si votre réfrigérateur est doté d'une machine à glaçons automatique, évitez le contact avec les pièces mobiles du mécanisme éjecteur, ou avec l'élément chauffant qui libère les glaçons. Ne posez pas les doigts ou les mains sur le mécanisme de la machine à glaçons automatique pendant que le réfrigérateur est branché.

⚠ AVERTISSEMENT



RISQUE D'INCENDIE OU D'EXPLOSION Réfrigérant inflammable

Cet appareil contient un gaz réfrigérant avec isobutane aussi connu sous R600a, un gaz naturel à compatibilité élevée avec l'environnement. Il s'agit cependant d'un combustible. Observez les consignes de sécurité ci-dessous afin de réduire le risque de blessure ou de dommage à la propriété.

1. Lors de la manipulation, de l'installation et de l'utilisation de cet appareil, prenez soin de ne pas endommager la tubulure du réfrigérant.
2. L'entretien ou la réparation doivent être effectués par un personnel de service autorisé. Utilisez seulement des pièces de rechange autorisées par le fabricant.
3. Mettez le réfrigérateur au rebut conformément aux réglementations fédérales et locales. Le gaz réfrigérant inflammable et les matériaux d'isolation utilisés dans ce produit requièrent des procédures de mise au rebut spéciales. Communiquez avec les autorités locales compétentes pour la mise au rebut de votre réfrigérateur sans danger pour l'environnement.
4. N'obstruez pas les orifices de ventilation dans les enceintes ou la structure d'encastrement de l'appareil.
5. Pour enlever le givre, grattez à l'aide d'un grattoir ou d'une spatule en plastique ou en bois. N'utilisez pas de pic à glace ou un instrument métallique à bord tranchant pour éviter de perforer la cuve interne du congélateur et la tubulure du gaz réfrigérant derrière cette dernière.
6. N'utilisez pas d'appareils électriques dans le compartiment de rangement des aliments de cet appareil.
7. N'utilisez aucun appareil électrique pour dégivrer votre congélateur.

LIRE ET CONSERVER CES INSTRUCTIONS

INFORMATION DE SÉCURITÉ IMPORTANTES

LISEZ TOUTES LES DIRECTIVES AVANT D'UTILISER L'APPAREIL

INSTALLATION

⚠ AVERTISSEMENT  **RISQUE D'INCENDIE OU D'EXPLOSION**

Conservez les matériaux et vapeurs inflammables à l'écart de votre réfrigérateur. Une explosion, un incendie voire la mort pourrait en résulter.

BRANCHEMENTS ÉLECTRIQUES

⚠ AVERTISSEMENT  **RISQUE DE CHOC ÉLECTRIQUE**

Branchez l'appareil dans une prise triple avec terre.
 Ne retirez pas la broche de terre.
 N'utilisez pas d'adaptateur.
 N'utilisez pas un cordon de rallonge.
 Le non-respect de ces instructions peut entraîner des risques d'incendies, des chocs électriques ou la mort.

Ne coupez pas ou n'enlevez pas, sous aucun prétexte, la troisième broche de mise à la terre du cordon d'alimentation. Pour des raisons de sécurité, cet appareil doit être correctement mis à la terre.

Le cordon d'alimentation de cet appareil est équipé d'une fiche à trois broches (pour une mise à la terre) qui s'adapte à la prise de courant standard à 3 broches (pour une mise à la terre) pour minimiser les risques de chocs électriques par cet appareil.

Faites vérifier la prise murale et le circuit électrique par un électricien qualifié pour s'assurer que le système est correctement mis à la terre.

Dans le cas d'une prise biphasée, l'installateur a la responsabilité et l'obligation de la remplacer par une prise triphasée correctement mise à la terre. N'utilisez pas d'adaptateur.

Le réfrigérateur doit toujours être branché à sa propre prise électrique d'une tension nominale correspondant à celle indiquée sur sa plaque signalétique.

Une alimentation électrique à 115 volts CA, 60 Hz, avec un fusible de 15 ou 20 ampères et une mise à la terre est nécessaire. Ceci permet d'obtenir un meilleur rendement et évite de surcharger les circuits électriques du domicile qui risque d'occasionner un incendie en surchauffant.

Ne débranchez jamais le réfrigérateur en tirant sur le cordon d'alimentation. Prenez toujours fermement la fiche en main et tirez pour la sortir de la prise.

Cessez immédiatement d'utiliser un cordon électrique endommagé. Si le cordon électrique est endommagé, son remplacement doit être effectué par un technicien en réparation qualifié au moyen d'un cordon de rechange autorisé par le fabricant.

Lorsque vous éloignez votre réfrigérateur du mur, faites attention à ne pas le faire rouler sur le cordon d'alimentation afin de ne pas l'endommager.

MISE AU REBUT APPROPRIÉE DE VOTRE ANCIEN RÉFRIGÉRATEUR

⚠ AVERTISSEMENT **RISQUE DE SUFFOQUER OU D'Y ÊTRE EMPRISONNÉ**

Le non-respect de ces instructions d'élimination peut entraîner la mort ou des blessures graves.

IMPORTANT: Les enfants pris au piège ou morts d'asphyxie sont toujours d'actualité. Les réfrigérateurs et congélateurs abandonnés sont toujours aussi dangereux, même si on n'attend que «quelques jours» pour s'en débarrasser. Si vous ne gardez pas votre ancien réfrigérateur ou congélateur, veuillez suivre les directives ci-dessous afin de prévenir les accidents.

Avant de vous débarrasser de votre ancien appareil :

- Démontez les portes du compartiment de réfrigération et du compartiment de congélation.
- Laissez les clayettes en place afin d'empêcher les enfants de grimper à l'intérieur.

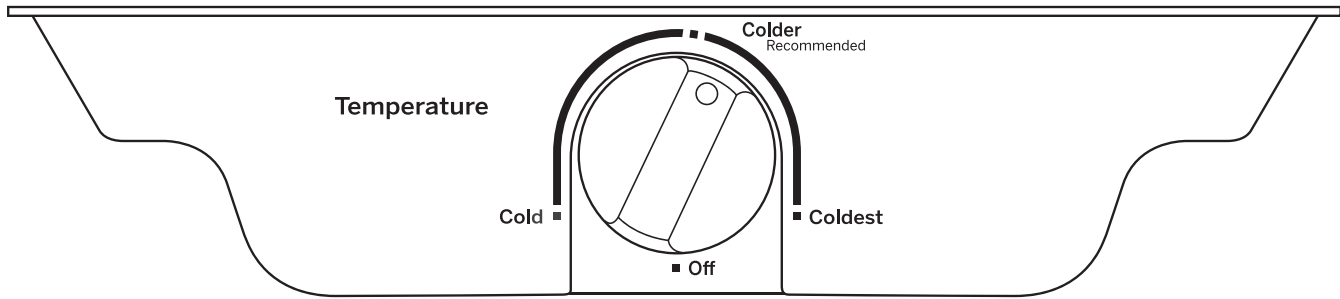
Mise au rebut du réfrigérant et de la mousse:

Jetez ou recyclez votre appareil conformément aux lois fédérales et de votre localité. Le réfrigérant et le matériau isolant inflammables utilisés requièrent des procédures de mise au rebut spéciales. Communiquez avec les instances locales pour savoir comment mettre votre réfrigérateur au rebut ou le recycler.

LIRE ET CONSERVER CES INSTRUCTIONS

Commandes

es réglages de votre réfrigérateur ressemblent à l'un des réglages suivants :



Réglage des commandes

Au début, réglez la commande du réfrigérateur à la valeur recommandée. Laissez la température se stabiliser pendant 24 heures.

Plusieurs ajustements peuvent être requis. Réglez les commandes du réfrigérateur d'un incrément à la fois et attendez 12 heures afin que le réfrigérateur atteigne la nouvelle température réglée.

Lorsque la commande du réfrigérateur est placée sur la position Off (Arrêt), le refroidissement des compartiments réfrigérateur et congélation cesse sans toutefois couper l'alimentation électrique du réfrigérateur.

Vous devez régler la température de votre réfrigérateur en fonction de vos préférences, votre usage et vos conditions d'utilisation et cela peut nécessiter plus d'un réglage. Parmi les facteurs qui influencent la température, mentionnons la quantité de nourriture dans les compartiments réfrigération et congélation, la fréquence des ouvertures de porte et la température de la nourriture lorsqu'elle est placée dans le compartiment réfrigération.

Les clayettes et les bacs

Tous les modèles n'ont pas toutes ces caractéristiques.

Disposition des clayettes

Les clayettes du compartiment réfrigération et du compartiment congélation sont réglables.

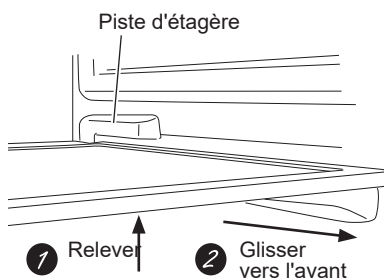
COMPARTIMENT RÉFRIGÉRATION

Clayettes pleine largeur

La clayette repose sur un support latéral moulé et se verrouille dans une butée sur la paroi arrière de chaque côté.

Enlèvement :

1. Soulevez la clayette jusque dans le haut la butée.
2. Glissez la clayette vers l'avant le long de la butée.
3. Tirez la clayette hors de l'appareil.



Remise en place :

Inversez les étapes d'enlèvement ci-dessus.

⚠ ATTENTION

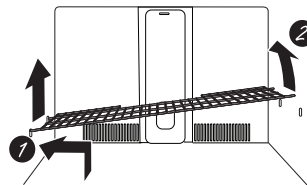
Ne nettoyez pas les clayettes ou couvercles en verre avec de l'eau chaude lorsqu'ils sont froids. Les clayettes et couvercles en verre peuvent se briser s'ils sont exposés à une variation de température soudaine, ou soumis à un impact s'ils sont heurtés ou échappés. S'il se brise, le verre trempé est conçu pour se fracturer en un grand nombre de petits éclats.

Ne lavez aucune pièce en plastique du réfrigérateur au lave-vaisselle.

COMPARTIMENT CONGÉLATION

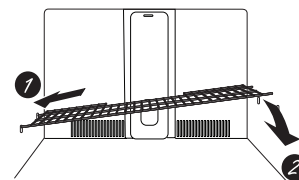
Pour enlever :

1. Soulevez les deux côtés de la clayette et glissez-la à gauche dans le centre des supports.
2. Faites tourner le côté droit de la clayette vers le haut et faites-le sortir des soutiens de clayette.



Pour remettre en place :

1. En maintenant la clayette en diagonale, insérez son extrémité gauche dans le haut des supports sur la paroi latérale.
2. Insérez l'extrémité droite de la clayette dans les soutiens de la clayette sur la paroi de côté. Faites reposer chaque extrémité de la clayette en bas des soutiens de clayette.

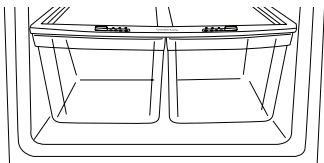


Bacs à légumes et à casse-croûte

Tous les modèles n'ont pas toutes ces caractéristiques.

Bacs à fruits et légumes

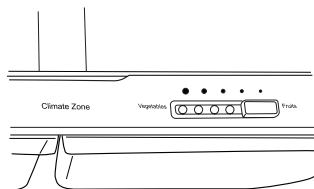
Vous devez bien essuyer toute eau en excès qui peut s'accumuler au fond des bacs ou en dessous des bacs.



Bac à légumes à humidité réglable

Glissez la commande tout le long jusqu'au réglage Vegetables (Légumes) afin d'obtenir le degré d'humidité élevé recommandé pour la plupart des légumes.

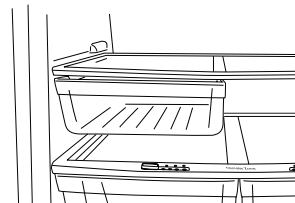
Glissez la commande tout le long jusqu'au réglage Fruits afin d'obtenir des degrés d'humidité moins élevés, recommandés pour la plupart des fruits.



Bac à casse-croûte

Vous pouvez mettre ce bac à l'endroit qui convient le mieux aux besoins de votre famille.

Pour enlever, faites glisser le bac vers l'extérieur jusqu'à sa position d'arrêt, soulevez le bac pour lui faire dépasser sa position d'arrêt, puis enlevez-le.



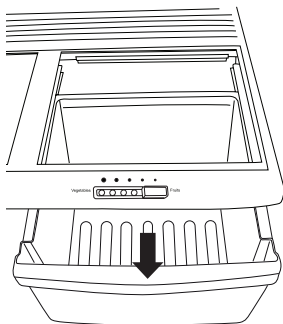
RETRAIT DES BACS

Videz la clayette inférieure avant d'essayer d'enlever les bacs de rangement.

Pour enlever :

Soulevez les bacs légèrement vers le haut tout en les tirant au delà de leur position d'arrêt.

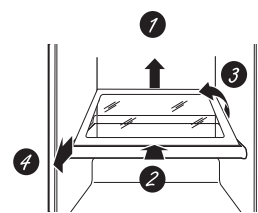
Si la porte vous empêche d'enlever les tiroirs, essayez d'abord d'enlever les bacs à porte. Si la porte n'offre pas assez d'espace libre, vous devez rouler le réfrigérateur vers l'avant jusqu'à ce que la porte s'ouvre suffisamment pour vous permettre d'enlever les tiroirs. Parfois, pour faire sortir le réfrigérateur, vous devez le faire aller vers la gauche ou vers la droite en le roulant.



Pour enlever le couvercle en verre :

Enlevez le verre, puis le cadre. Quand vous remettez en place le verre, poussez l'arête devant fort dans le cadre.

1. Poussez le couvercle en verre vers le haut arrière.
2. Faites glisser le couvercle en verre en arrière jusqu'à ce que l'arête devant sorte du cadre.
3. Faites tourner le côté du couvercle en verre vers le haut.

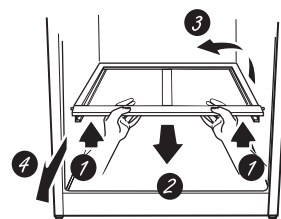


4. Enlevez le couvercle en verre.

Pour enlever le couvercle en verre

Pour enlever le cadre :

1. Soulevez l'avant du cadre vers le haut en le tenant à deux mains.
2. Faites glisser le cadre vers l'avant.
3. Faites tourner le cadre vers le haut.
4. Enlevez le cadre.



Pour enlever le cadre

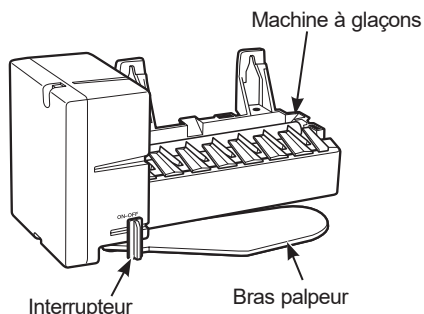
Machine à glaçons automatique

Un réfrigérateur nouvellement installé prend de 12 à 24 heures pour commencer à produire des glaçons.

Machine à glaçons automatique (sur certains modèles)

⚠ ATTENTION

Évitez tout contact avec les pièces mobiles du mécanisme d'éjection ou l'élément chauffant (situé dans le bas de la machine à glaçons) qui libère les cubes. Ne placez pas les doigts ou les mains sur le mécanisme de production de glace automatique lorsque le réfrigérateur est branché dans la prise électrique.



La machine à glaçons produit environ 3 à 3-1/2 lb de glace par 24 heures, selon la température du compartiment congélation, la température de la pièce, le nombre de fois que la porte est ouverte et les autres conditions d'utilisation.

Si le réfrigérateur est mis en marche avant le raccordement de l'alimentation d'eau à la machine à glaçons, mettez l'interrupteur à la position OFF (Arrêt).

Une fois le réfrigérateur raccordé à l'alimentation d'eau, mettez l'interrupteur à ON (Marche).

Trousse accessoire de machine à glaçons

Si votre réfrigérateur n'est pas déjà équipé d'une machine à glaçons automatique, vous pouvez acheter une trousse accessoire de machine à glaçons.

La machine à glaçons se remplit d'eau quand elle atteint 15°F. Un réfrigérateur nouvellement installé prend de 12 à 24 heures pour commencer à produire des glaçons.

Une fois que la machine à glaçons commence à produire de la glace, il peut s'écouler jusqu'à 48 heures avant que le bac ne se remplisse, tout dépendant du réglage de température et de la fréquence d'ouverture de la porte.

Vous entendrez une vibration chaque fois que la machine à glaçons se remplit d'eau.

Jetez les premiers lots de glaçons pour permettre à la conduite d'eau de se purger.

Assurez-vous que rien ne gêne la course du bras palpeur.

Quand le bac se remplit jusqu'au niveau du bras palpeur, la machine à glaçons s'arrête de produire des glaçons.

Il est normal de trouver des glaçons qui soient soudés ensemble.

Si vous n'utilisez pas souvent vos glaçons, les vieux glaçons deviennent opaques, prennent un mauvais goût, rétrécissent ou collent ensemble.

NOTE : Dans les maisons qui ont une pression d'eau plus faible que la moyenne, vous pouvez entendre la machine à glaçons recommencer plusieurs fois son cycle pour produire une livraison de glaçons.

Vérifiez l'arrière du réfrigérateur pour connaître la trousse accessoire de machine à glaçons qui convient à votre modèle.

Soins et nettoyage

Nettoyage de l'extérieur

Les poignées de porte et les garnitures. Nettoyez avec un linge trempé dans de l'eau savonneuse. Séchez avec un linge doux.

Conservez l'extérieur propre. Essuyez avec un linge propre légèrement humecté de cire à appareil électroménager ou de détergent liquide à vaisselle doux. Séchez et polissez avec un linge doux, propre.

Vous pouvez nettoyer les panneaux et les poignées de porte en acier inoxydable (sur certains modèles) avec un nettoyant d'acier inoxydable vendu sur le marché.

Les nettoyants qui contiennent de l'acide oxalique (p.ex. Bar Keepers Friend Soft Cleanser) élimineront la rouille, la ternissure et les petites taches. Utilisez uniquement un nettoyant liquide exempt d'abrasif et frottez dans la direction des lignes de brosse à l'aide d'une éponge douce humide.

N'utilisez pas de cire pour appareils ménagers sur l'acier inoxydable.

N'essuyez jamais votre réfrigérateur avec un torchon sale ou une serviette mouillée. Cela peut laisser un résidu qui risque d'endommager la peinture. N'utilisez jamais de tampon à recurer, de nettoyant en poudre, d'eau de javel ou de produit nettoyant contenant un agent de blanchiment, car ces produits peuvent rayer et endommager la peinture.

Nettoyage de l'intérieur

Pour aider à empêcher les odeurs, laissez une boîte ouverte de bicarbonate de soude dans les compartiments réfrigération et congélation.

Débranchez votre réfrigérateur avant de le nettoyer.

Si ce n'est pas pratique, enlevez toute humidité au moyen d'une éponge ou d'un chiffon pour nettoyer autour des commutateurs, des lumières ou des réglages.

Utilisez une solution d'eau chaude et de bicarbonate de soude 15 ml (soit une cuillère à soupe environ) de bicarbonate de soude dans 1 litre (soit une pinte) d'eau.

Cette solution nettoie tout en neutralisant les odeurs. Rincez et séchez en essuyant.

Ne nettoyez pas avec des produits qui contiennent un détergent, un javellisant ou de l'ammoniac. Ils pourraient endommager votre réfrigérateur.

Après le nettoyage des joints d'étanchéité de porte, appliquez une mince couche de gelée de pétrole sur les joints d'étanchéité du côté charnière. Cette mesure empêchera les joints de coller ou de se déformer.

ATTENTION Ne nettoyez pas les tablettes ou les couvercles en verre avec de l'eau tiède quand ceux-ci sont froids. Les tablettes et couvercles en verre peuvent se casser s'ils sont exposés à des changements soudains de température ou si vous les cognez ou les faites tomber. Le verre trempé est conçu pour se briser en petits morceaux en cas de casse.

Ne lavez aucune pièce en matière plastique de votre réfrigérateur dans votre machine à laver la vaisselle.

Le condenseur

Selon le modèle, le condenseur est situé soit près du compresseur, soit derrière le mur arrière. S'il est près du compresseur, vous n'avez pas besoin de nettoyer souvent le condenseur en milieu domestique normal. Cependant, en milieu particulièrement gras ou poussiéreux, vous devez nettoyer périodiquement le condenseur pour obtenir un fonctionnement efficace de votre réfrigérateur.

Nettoyage du condenseur :

Époussetez ou enlevez à l'aide d'un aspirateur toute la poussière.

AVERTISSEMENT Pour réduire le risque de décès ou de choc électrique, vous devez observer ces directives :

- Débranchez le réfrigérateur avant de retirer tout panneau.
- Ne touchez ni n'endommagez le câblage lors du retrait du panneau.
- Remplacez toutes les pièces et les panneaux avant de rebrancher le réfrigérateur.

Soins et nettoyage

Déplacement du réfrigérateur

Soyez prudent lorsque vous éloignez le réfrigérateur du mur. Tous les types de recouvrements de plancher peuvent être endommagés, en particulier les revêtements coussinés ou dont la surface est gaufrée.

Tournez les pieds de nivellement situés dans les coins avant dans le sens inverse des aiguilles d'une montre jusqu'à ce que les roulettes supportent le réfrigérateur. Tirez le réfrigérateur en ligne droite et remettez-le en place en poussant en ligne droite.

Vous pouvez endommager le revêtement de plancher ou votre réfrigérateur en le déplaçant latéralement.

⚠ AVERTISSEMENT RISQUE D'EXPLOSION

Lorsque vous remettez en place votre réfrigérateur, assurez-vous de ne pas le rouler sur le cordon d'alimentation ou la conduite d'eau de la machine à glaçons (sur certains modèles).

Une fois le réfrigérateur roulé en place, tournez les pieds dans le sens des aiguilles jusqu'à ce qu'ils supportent aussi le poids du réfrigérateur.

Préparation de départ en vacances

Pour de longues vacances ou absences, enlevez tous vos aliments et débranchez votre réfrigérateur. Mettez le bouton de réglage du compartiment congélation en position OFF (arrêt) et nettoyez l'intérieur avec une solution de bicarbonate de soude, de 15 ml (une cuillère à soupe) de bicarbonate de soude pour 1 litre (une pinte) d'eau. Laissez les portes ouvertes.

Mettez l'interrupteur de la machine à glaçons à la position OFF (Arrêt) et coupez l'alimentation d'eau au réfrigérateur.

Si la température risque de descendre en dessous du point de congélation, demandez à un technicien qualifié de purger votre système d'alimentation d'eau (sur certains modèles) pour empêcher des inondations pouvant occasionner des dégâts sérieux.

Préparation de déménagement

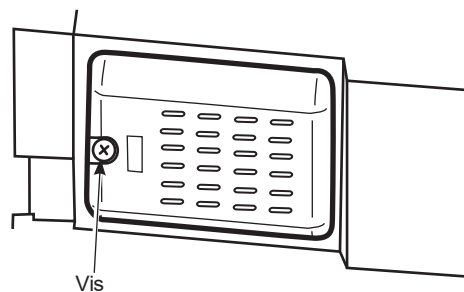
Fixez en place toutes les pièces mobiles, comme la grille, les clayettes et les tiroirs, à l'aide de ruban adhésif, pour empêcher tout dommage. À l'aide de ruban adhésif, fixez les portes sur la carrosserie pour empêcher les portes de s'ouvrir lors d'un déménagement.

Assurez-vous que votre réfrigérateur soit en position droite pendant le déménagement.

Remplacement de l'ampoule électrique

Mettre la commande du réfrigérateur à OFF (Arrêt) ne coupe pas l'alimentation du circuit de la lampe.

1. Débranchez le réfrigérateur.
2. Retirez la clayette supérieure (si nécessaire).
3. L'ampoule est située derrière une lentille de lampe dans le plafond du compartiment réfrigérateur. Enlevez la lentille en retirant la seule vis à l'aide d'un tournevis cruciforme.
4. Remplacez l'ampoule par une ampoule d'appareil électroménager de même voltage ou d'un voltage plus bas.
5. Remplacez la lentille de lampe.
6. Rebranchez le réfrigérateur.



Instructions d'installation

Réfrigérateur Modèles GTE21 et GIE21

Des Questions ? Appelez 800.GE.CARES (800.432.2737) ou consultez notre site internet : GEAppliances.com
Au Canada, appelez le 1.800.561.3344 ou consultez notre site internet : electromenagersge.ca

AVANT DE COMMENCER

Veuillez lire toutes les directives attentivement.

- **IMPORTANT** – Conservez ces instructions pour l'inspecteur local.
- **IMPORTANT** – Respectez toutes les ordonnances et les codes locaux.
- **Note à l'installateur** – Assurez-vous de laisser ces instructions au consommateur.
- **Note au consommateur** – Conservez ces instructions pour référence future.
- **Niveau de compétence** – L'installation de cet appareil nécessite des compétences mécaniques de base.
- **Temps d'installation** – Installation du réfrigérateur : 15 minutes.
- L'installateur est responsable de bien installer ce réfrigérateur.
- Toute panne du produit due à une mauvaise installation n'est pas couverte par la garantie.

ALIMENTATION D'EAU DE LA MACHINE À GLAÇONS (Sur Certains Modèles)

Si votre réfrigérateur a une machine à glaçons, il faut le brancher à une conduite d'eau froide. Vous pouvez acheter une trousse d'alimentation d'eau GE Appliances (contenant la tuyauterie, le robinet d'arrêt, les joints et les instructions) chez votre revendeur ou en vous adressant à notre site Web à l'adresse www.electromenagersge.ca ou à notre service de Pièces et accessoires au numéro de téléphone 1.800.661.1616.

SPÉCIFICATIONS D'EMPLACEMENT

- N'installez pas le réfrigérateur dans une pièce où les températures descendent en-dessous de 60°F (16°C) parce qu'il serait difficile d'y maintenir une température correcte.
- N'installez pas le réfrigérateur dans un endroit où la température ambiante sera supérieure à 37°C, il ne fonctionnera pas correctement.
- N'installez pas le réfrigérateur dans un endroit exposé à l'eau (pluie, etc.) ou directement aux rayons solaires.
- Installez le réfrigérateur sur un plancher suffisamment solide pour le supporter à pleine charge.

DÉGAGEMENTS

Prévoyez les dégagements suivants pour faciliter l'installation, la bonne circulation d'air et les raccordements de plomberie et d'électricité.

Côtés 3 mm (1/8")

Dessus 3 mm (1/8")

Arrière 25 mm (1")

Si un côté ou l'autre de votre réfrigérateur est contre un mur, laissez 8 mm (5/16") de dégagement pour permettre une bonne ouverture de la porte.

ROULETTES ET PIEDS DE NIVELLEMENT

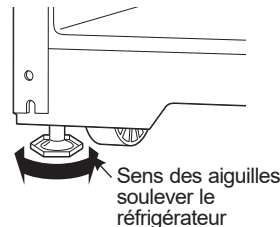
Les pieds de nivellement dans les coins avant du réfrigérateur sont ajustables. Ils campent fermement le réfrigérateur et empêchent son déplacement lorsque les portes sont ouvertes.

Les pieds de nivellement doivent être ajustés de façon que l'avant du réfrigérateur soit soulevé juste assez pour que les portes se ferment aisément lorsqu'ouvertes à mi-parcours.

Tournez les pieds de nivellement dans le sens des aiguilles d'une montre pour soulever le réfrigérateur, dans le sens contraire pour l'abaisser.

Les roulettes à proximité des pieds de nivellement permettent d'éloigner le réfrigérateur du mur lors du nettoyage.

Tournez les pieds dans le sens contraire des aiguilles jusqu'à ce que le poids du réfrigérateur soit transféré sur les roulettes. Une fois le réfrigérateur roulé à sa place, tournez les pieds dans le sens des aiguilles jusqu'à ce qu'ils supportent à nouveau le poids du réfrigérateur.



Instructions d'installation

INSTALLATION DE LA CONDUITE D'EAU

AVANT DE COMMENCER

Nous recommandons les trousse d'alimentation d'eau en cuivre WX8X2, WX8X3, WX8X4, selon le montant de conduite dont vous avez besoin. Nous approuvons les conduites d'eau en matière plastique SmartConnect™ Refrigerator Tubing (WX08X10002, WX08X10006, WX08X10015 et WX08X10025).

Si vous installez un système d'eau GE Appliances Reverse Osmosis dans votre réfrigérateur, la seule installation approuvée est celle de la trousse GE Appliances RVKIT. Pour les autres systèmes d'osmose de l'eau, suivez les recommandations du fabricant.

Si le réfrigérateur est alimenté en eau à partir d'un système de filtration d'eau par osmose inversée, et si le réfrigérateur comporte également un filtre à eau, utiliser le bouchon du circuit de dérivation du filtre du réfrigérateur. Si la cartouche de filtration d'eau du réfrigérateur est utilisée en conjonction avec le système de filtration par osmose inversée, on peut observer une réduction du débit d'eau au point de puisage, et la production de cubes de glace creux.

Cette installation de conduite d'eau n'est pas garantie par le fabricant de réfrigérateur ou de machine à glaçons. Suivez soigneusement ces instructions pour minimiser le risque de dommages onéreux d'inondation.

Les coups de bélier (eau qui donne des coups dans les tuyaux) dans la tuyauterie de la maison peuvent occasionner des dommages aux pièces de votre réfrigérateur, ainsi que des fuites ou des inondations. Appelez un plombier certifié pour corriger les coups de bélier avant d'installer la conduite d'eau de votre réfrigérateur.

Pour prévenir toute brûlure et tout dommage à votre réfrigérateur, ne branchez jamais la conduite d'eau à une canalisation d'eau chaude.

Si vous utilisez votre réfrigérateur avant de brancher la conduite d'eau, assurez-vous de laisser le commutateur de la machine à glaçon en position OFF (arrêt).

N'installez jamais les tuyaux de la machine à glaçons dans des endroits où la température risque de descendre en dessous du point de congélation.

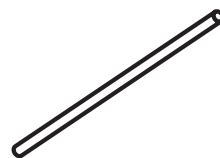
Si vous utilisez un outil électrique (comme une perceuse électrique) pendant l'installation, assurez-vous que l'isolement ou le câblage de cet outil empêche tout danger de secousse électrique.

Vous devez procéder à toutes vos installations conformément aux exigences de votre code local de plomberie.

▲ AVERTISSEMENT

Raccordez à une alimentation d'eau potable seulement.

CE DONT VOUS AUREZ BESOIN



- Tuyaux en cuivre ou trousse SmartConnect™ Refrigerator Tubing, diamètre extérieur de 1/4 po pour brancher le réfrigérateur à l'alimentation d'eau. Si vous utilisez un tuyau en cuivre, assurez-vous que les deux extrémités du tuyau soient coupées bien droit.

Pour trouver la longueur de tuyau dont vous aurez besoin: mesurez la distance qui va du robinet d'eau situé derrière le réfrigérateur jusqu'au tuyau d'alimentation d'eau. Ajoutez 2,44 m (8 pi). Assurez-vous qu'il y ait assez de tuyau en trop (environ 2,44 m [8 pi] enroulés trois fois en cercles d'environ 25 cm [10 po] de diamètre) pour vous permettre de décoller le réfrigérateur du mur après l'installation.

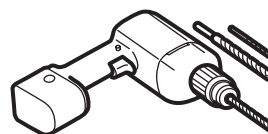
Les trousse SmartConnect™ Refrigerator Tubing sont disponibles dans les dimensions suivantes :

0,6 m (2 pi)	– WX08X10002
1,8 m (6 pi)	– WX08X10006
4,6 m (15 pi)	– WX08X10015
7,6 m (25 pi)	– WX08X10025

Assurez-vous que votre trousse ait au moins 2,4 m (8 pi) comme indiqué ci-dessus.

NOTE: Les seuls tuyaux en matière plastique approuvés par GE Appliances sont ceux qui font fournis dans les trousse SmartConnect™ Refrigerator Tubing. N'utilisez jamais un autre tuyau en matière plastique, car le tuyau d'alimentation d'eau est tout le temps sous pression. Certaines catégories de tuyaux en matière plastique peuvent devenir cassants avec l'âge et peuvent se fendre, en occasionnant des dommages d'inondation dans votre maison.

- Vous pouvez acheter une trousse d'alimentation d'eau GE Appliances (contenant un tuyau, un robinet d'arrêt et les joints énumérés ci-dessous) chez votre distributeur local ou en le commandant au service de pièces et accessoires, au 1.800.661.1616.
- Une alimentation d'eau froide. Pour les modèles sans filtre à eau, l'eau doit avoir une pression de 138 – 827 kilopascals (20 à 120 p.s.i.). Pour les modèles avec filtre à eau, l'eau doit avoir une pression de 275 – 827 kilopascals (40 à 120 p.s.i.).



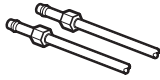
- Une perceuse électrique.
- Une clé de 1/2 po ou une clé anglaise.
- Un tournevis à lame plate et un tournevis Phillips.

Instructions d'installation

INSTALLATION DE LA CONDUITE D'EAU (suite)

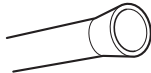
CE DONT VOUS AUREZ BESOIN (suite)

- Deux écrous à compression d'un diamètre extérieur de 6 mm (1/4 po) et deux bagues (manchons)—pour brancher le tuyau en cuivre au robinet d'arrêt et au robinet d'eau du réfrigérateur.

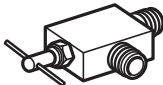


OU BIEN

- Si vous utilisez une trousse SmartConnect™ Refrigerator Tubing, les garnitures nécessaires sont déjà montées au tuyau.



- Si votre canalisation d'eau actuelle a un raccord évasé à une extrémité, vous aurez besoin d'un adaptateur (que vous trouverez dans votre magasin de matériel de plomberie) pour brancher le tuyau d'eau au réfrigérateur, OU BIEN vous pouvez couper le raccord évasé à l'aide d'un coupe-tube, puis utiliser un raccord à compression. Ne coupez jamais l'extrémité finie d'un tuyau de la trousse SmartConnect™ Refrigerator Tubing.



- Un robinet d'arrêt pour brancher le tuyau d'eau froide. Le robinet d'arrêt doit avoir une entrée d'eau avec un diamètre intérieur minimal de 5/32 po au point de jonction avec LA CONDUITE D'EAU FROIDE. Des robinets d'arrêt à étrier sont souvent inclus dans les trousse d'alimentation d'eau. Avant d'acheter, assurez-vous que le robinet à étrier se conforme à vos codes de plomberie locaux.

Installez le robinet d'arrêt sur la canalisation d'eau potable la plus fréquemment utilisée.

1 FERMEZ L'ALIMENTATION PRINCIPALE D'EAU

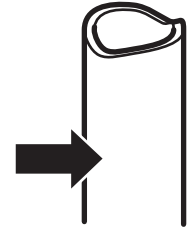
⚠ AVERTISSEMENT

Pour réduire le risque de choc électrique ou de blessure durant l'installation, vous devez d'abord débrancher le réfrigérateur avant de procéder.

Ouvrez le robinet le plus proche suffisamment longtemps pour purger le tuyau.

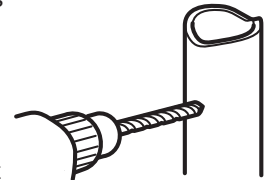
2 CHOISISSEZ L'EMPLACEMENT DU ROBINET

Choisissez, pour le robinet, un emplacement facilement accessible. Il vaut mieux le brancher de côté à un tuyau vertical. Si vous devez le brancher à un tuyau horizontal, faites le branchement en haut ou de côté, plutôt qu'en bas du tuyau, pour éviter de recevoir des sédiments du tuyau d'alimentation d'eau.



3 PERCEZ UN TROU POUR LE ROBINET

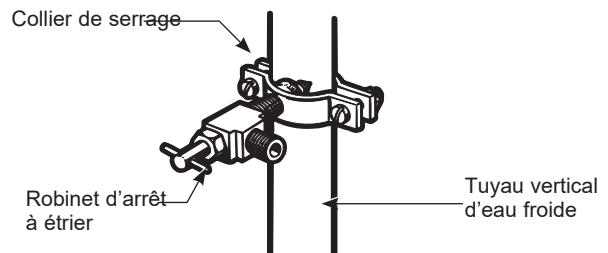
Percez un trou de 1/4 po dans le tuyau d'eau, à l'aide d'un foret dur. Enlevez toute barbare due au perçage du trou dans le tuyau. Faites attention de ne pas laisser de l'eau couler dans votre perceuse électrique. Si vous ne percez pas un trou de 1/4 po, vous obtiendrez une alimentation d'eau réduite et des glaçons plus petits.



4 FIXEZ LE ROBINET D'ARRÊT

Fixez le robinet d'arrêt au tuyau d'eau froide à l'aide du collier de serrage.

NOTE: Vous devez vous conformer aux Codes de plomberie 248CMR du Commonwealth of Massachusetts. Les robinets d'arrêt à étrier sont illégaux et leur utilisation n'est pas autorisée au Massachusetts. Consultez votre plombier local.



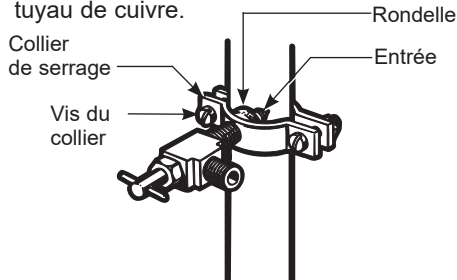
Instructions d'installation

INSTALLATION DE LA CONDUITE D'EAU (suite)

5 SERREZ LE COLLIER DE SERRAGE

Serrez les vis du collier jusqu'à ce que la rondelle d'étanchéité commence à enfler.

NOTE: Ne serrez pas trop. Vous risquez d'écraser le tuyau de cuivre.



6 ACHEMINEZ LE TUYAU

Acheminez le tuyau du tuyau d'eau froide au réfrigérateur.

Faites passer le tuyau par un trou percé dans le mur ou le plancher (derrière le réfrigérateur ou au niveau de l'armoire de cuisine adjacente), aussi près du mur que possible.

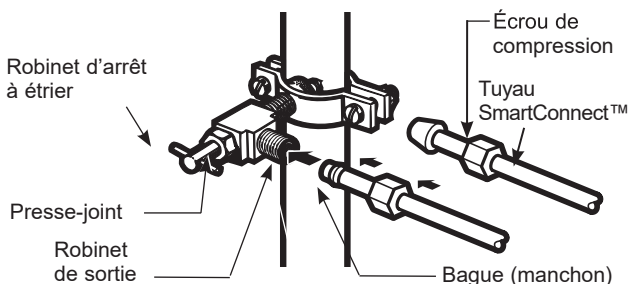
NOTE: Assurez-vous qu'il y ait assez de tuyau en trop (environ 2,44 m [8 pi] enroulés trois fois en cercles d'environ 25 cm [10 po] de diamètre) pour vous permettre de décoller le réfrigérateur du mur après l'installation.

7 BRANCHEZ LE TUYAU AU ROBINET

Placez un écrou de compression et une bague (manchon) à l'extrémité du tuyau et branchez-les au robinet d'arrêt.

Assurez-vous que le tuyau soit bien inséré dans le robinet. Serrez fort l'écrou de compression.

Pour le tuyau en matière plastique d'une trousse SmartConnect™ Refrigerator Tubing, insérez l'extrémité moulée du tuyau dans le robinet d'arrêt et serrez l'écrou de compression à la main, puis serrez un autre tour avec une clé. Si vous serrez trop fort, vous pouvez occasionner des fuites.



8 PURGEZ LE TUYAU

Ouvrez le robinet d'alimentation principale d'eau et purgez le tuyau jusqu'à ce que l'eau soit claire.

Fermez l'eau au niveau du robinet d'eau après écoulement d'environ 1 litre (1 quart) d'eau par le tuyau.



9 BRANCHEZ LE TUYAU À VOTRE RÉFRIGÉRATEUR

NOTES:

- Avant de brancher le tuyau à votre réfrigérateur, assurez-vous que le cordon d'alimentation électrique du réfrigérateur ne soit pas branché à la prise murale.
- Si votre réfrigérateur n'est pas équipé de filtre à eau, nous vous recommandons d'en monter un si votre alimentation d'eau contient du sable ou des particules qui peuvent boucher la grille du robinet d'eau de votre réfrigérateur. Installez-le sur la conduite d'eau près de votre réfrigérateur. Si vous utilisez une trousse SmartConnect™ Refrigerator Tubing, vous aurez besoin d'un tuyau additionnel (WX08X10002) pour brancher le filtre. Ne coupez jamais un tuyau en matière plastique pour installer votre filtre.

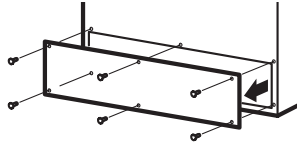
⚠ AVERTISSEMENT Afin de réduire le risque de mort ou de décharge électrique, vous devez suivre les instructions suivantes :

- Débranchez le réfrigérateur avant de retirer quelque panneau que ce soit.
- N'endommagez aucun fil lors du retrait du panneau.
- Remplacez toutes les pièces et tous les panneaux avant de rebrancher le réfrigérateur.

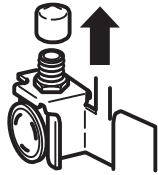
INSTALLATION DE LA CONDUITE D'EAU (suite)

9 BRANCHEZ LE TUYAU À VOTRE RÉFRIGÉRATEUR (suite)

Si votre réfrigérateur est doté d'un panneau d'accès, retirez-le.



Enlevez le capuchon en matière plastique flexible du robinet d'arrêt d'eau (branchement du réfrigérateur).



Placez l'écrou de compression et la bague (manchon) à l'extrémité du tuyau comme l'indique l'illustration. Si vous utilisez une trousse SmartConnect™ Refrigerator Tubing, les écrous sont déjà assemblés au tuyau.

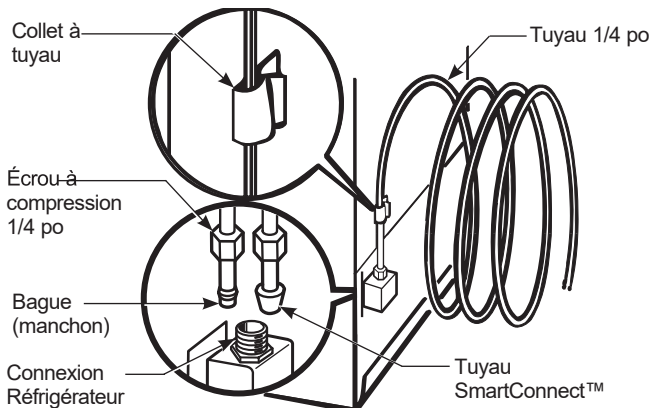
Insérez l'extrémité du tuyau dans le branchement du robinet d'arrêt d'eau, le plus loin que possible. Tout en tenant le tuyau, serrez le raccord.

Si vous utilisez un tuyau en matière plastique d'une trousse SmartConnect™ Refrigerator Tubing, insérez l'extrémité moulée du tuyau dans le branchement du réfrigérateur et serrez l'écrou de compression à la main, puis serrez un autre tour avec une clé. Si vous serrez trop fort, vous pouvez occasionner des fuites.

Fixez le tuyau au collet fourni pour le tenir en position verticale. Il est possible que vous ayez à disjoindre le collet.

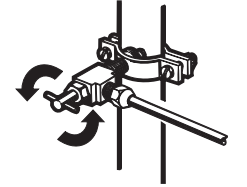
⚠ AVERTISSEMENT RISQUE DE DÉCHARGE ÉLECTRIQUE

Fixez le collier de serrage dans le trou présent seulement. NE PERCEZ PAS dans le réfrigérateur.

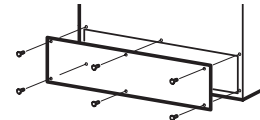


10 FERMEZ L'EAU AU NIVEAU DU ROBINET D'ARRÊT

Resserrez tout joint qui fuit.

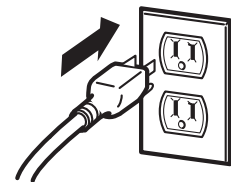


Si votre réfrigérateur est doté d'un panneau d'accès, refixez-le.

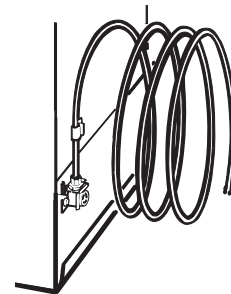


11 BRANCHEZ VOTRE RÉFRIGÉRATEUR

Branchez le cordon du réfrigérateur dans la prise.

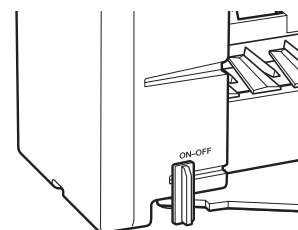


Placez la spirale du tuyau de façon qu'elle ne vibre pas contre l'arrière du réfrigérateur ou le mur. Repoussez le réfrigérateur vers le mur.



12 DÉMARREZ LA MACHINE À GLAÇONS

Mettez l'interrupteur de la machine à glaçons à la position ON (Marche). La machine à glaçons ne commencera à fonctionner que lorsqu'elle atteindra une température de service de 15 °F (-9 °C) ou inférieure. Elle commencera alors à fonctionner automatiquement si son interrupteur est à la position ON (Marche).



Instructions d'installation

INSTRUCTIONS D'INSTALLATION DE LA MACHINE À GLAÇONS

AVANT DE COMMENCER

Lisez soigneusement chaque étape avant de commencer.

⚠ AVERTISSEMENT

Débranchez le réfrigérateur. Pour éliminer tout danger de secousse électrique pendant l'installation, vous devez débrancher la fiche de votre réfrigérateur de sa prise électrique murale.



OUTILS NÉCESSAIRES



Tournevis à lame plate
et Phillips



Pinces



Couteau
aiguisé

1 PRÉPAREZ VOTRE INSTALLATION

- Enlevez le grand capuchon blanc de la paroi arrière du compartiment congélation et jetez-le.
- Enlevez le couvercle de la prise avec un tournevis à lame plate



Enlevez le
capuchon

2 REMPLACEZ LA CLAYETTE DU CONGÉLATEUR

Assurez-vous que la clayette du congélateur est à la position la plus basse.

3 PRÉPAREZ L'INSTALLATION

Si l'appareil n'est pas équipé d'une machine à glaçons installée à l'usine, une étiquette apposée sur la face arrière de l'appareil indique la méthode d'installation à utiliser. Consultez le manuel d'installation fourni avec la trousse de la machine à glaçons pour compléter l'installation.

Instructions d'installation

INVERSION DU SENS D'OUVERTURE DES PORTES

⚠ AVERTISSEMENT

Suivez toutes les étapes lors du changement d'ouverture de la porte. La porte risque de tomber en plus de causer des blessures ou des dommages si vous ne respectez pas ces instructions, oubliez des pièces ou effectuez un serrage excessif des vis.

NOTES IMPORTANTES

Pour inverser le sens d'ouverture des portes :

- Lisez toutes les directives avant de commencer.
- Manipulez les pièces avec précaution pour éviter de rayer la peinture.
- Posez les vis à côté des pièces correspondantes pour ne pas les utiliser aux mauvais endroits.
- Posez les portes sur un plan de travail qui ne risque pas de rayer la peinture.

IMPORTANT : Une fois commencée votre inversion du sens d'ouverture des portes, ne déplacez jamais votre réfrigérateur avant d'avoir terminé.

Ces directives s'appliquent à l'inversion des charnières du côté droit au côté gauche. Si vous voulez remettre les charnières à droite, suivez les mêmes directives en inversant toutes les références aux côtés gauche et droit.

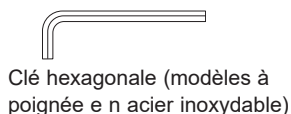
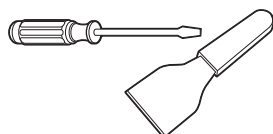
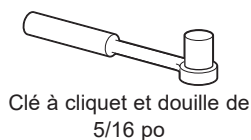
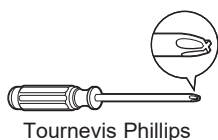
Débranchez votre réfrigérateur de sa prise électrique.

NOTE: Ne laissez tomber aucune porte sur le plancher. Sinon, cela risque d'endommager la butée de porte.

⚠ ATTENTION Portes lourdes

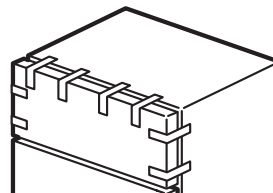
Les portes des compartiments réfrigérateur et congélateur sont lourdes. Utilisez les deux mains pour immobiliser les portes avant le soulèvement.

OUTILS REQUIS

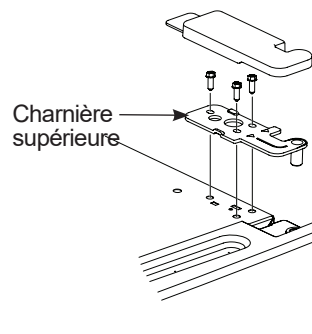


1 ENLEVEZ LA PORTE DU COMPARTIMENT CONGÉLATION

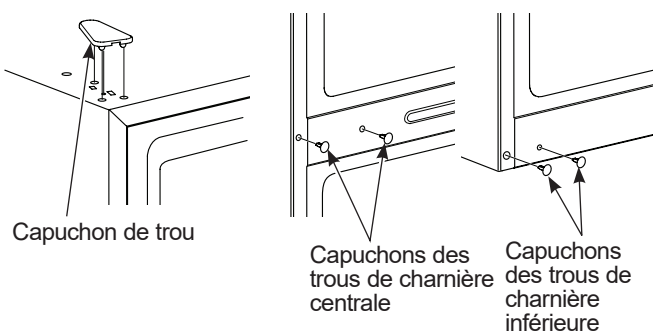
1. Enlevez tous les aliments sur l'intérieur de la porte.
2. Attachez la porte à l'aide de ruban-cache.



3. Enlevez le couvercle de charnière dans le haut de la porte congélateur à l'aide d'un tournevis à lame mince.
4. Enlevez les trois vis avec une clé à cliquet et une douille de 5/16 po, puis soulevez la charnière droit vers le haut, pour libérer l'axe de charnière du culot qui se trouve en haut de la porte.



5. Enlevez le ruban-cache et faites basculer la porte en l'écartant de l'armoire. Soulevez-la pour l'enlever de l'axe de la charnière centrale.
6. À l'aide d'un couteau à mastiquer, enlevez les capuchons des trous du côté opposé des trois charnières.



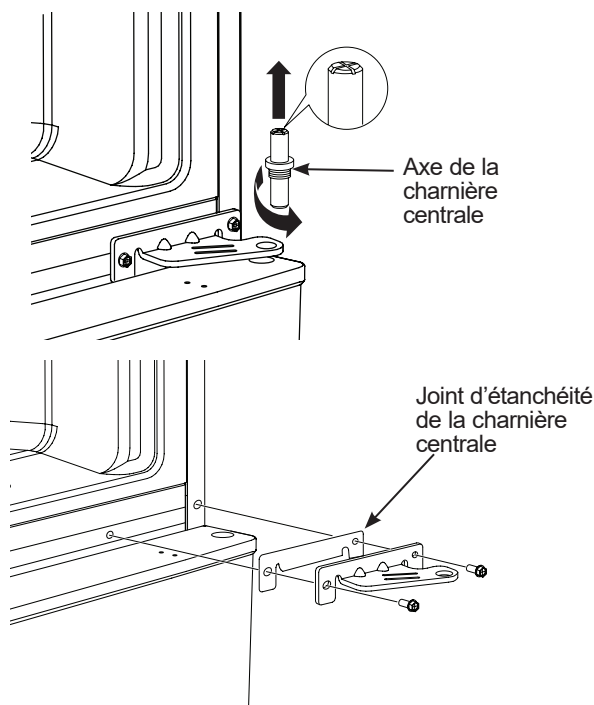
7. Posez la porte sur une surface qui ne raye pas, l'intérieur vers le haut.

Instructions d'installation

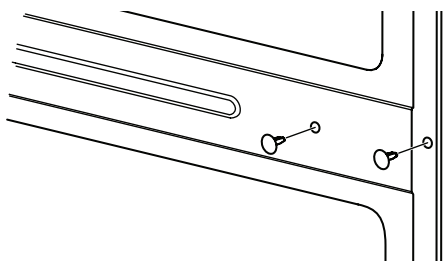
INVERSION DU SENS D'OUVERTURE DES PORTES (SUITE)

2 ENLEVEZ LA PORTE DU COMPARTIMENT RÉFRIGÉRATION

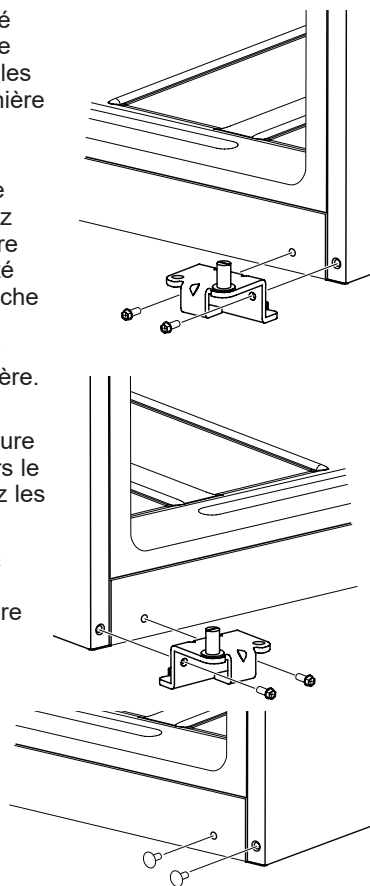
1. Enlevez tous les aliments sur l'intérieur de la porte.
2. Fermez la porte et attachez-la à l'aide de ruban-cache.
3. Enlevez l'axe de la charnière centrale à l'aide d'un tournevis à pointe cruciforme.
4. Enlevez la charnière du centre en enlevant deux vis de la charnière à l'aide d'une clé à cliquet et une douille de 5/16 po. Conservez la charnière centrale, son axe, ses vis et son joint d'étanchéité.



5. Enlevez le ruban-cache et faites basculer la porte en l'écartant de l'armoire. Soulevez la porte droit vers le haut pour la libérer sa charnière inférieure de son axe situé dans le support de charnière inférieure.
6. Posez la porte sur une surface qui ne raye pas, l'intérieur vers le haut.
7. Prenez les deux bouchons pour trous de charnière centrale sur le côté opposé de la carrosserie et posez-les dans les trous de vis libérés par l'enlèvement de la charnière centrale.

**3 TRANSFÉREZ LA CHARNIÈRE INFÉRIEURE SUR LA GAUCHE**

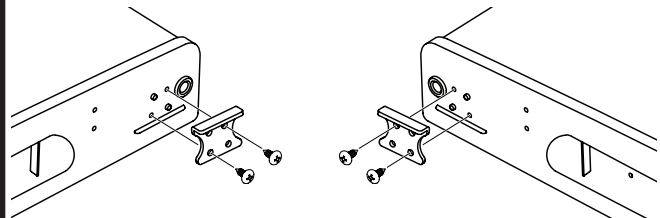
1. À l'aide d'une clé à cliquet et d'une douille, enlevez les 2 vis de la charnière du bas.
2. À l'aide d'un tournevis à lame mince, transférez l'axe de charnière inférieure du côté droit vers le gauche jusqu'à ce que l'épaule de l'axe touche la charnière.
3. Transférez la charnière inférieure du côté droit vers le gauche et serrez les deux vis.
4. Prenez les deux bouchons pour trous de charnière inférieure sur le côté opposé de la carrosserie et posez-les dans les trous de vis libérés par l'enlèvement de la charnière inférieure.



⚠ AVERTISSEMENT Suivez toutes les étapes lors du changement d'ouverture de la porte. La porte risque de tomber en plus de causer des blessures ou des dommages si vous ne respectez pas ces instructions, oubliez des pièces ou effectuez un serrage excessif des vis.

4 TRANSFÉREZ LA BUTÉE DE PORTE SUR LA GAUCHE

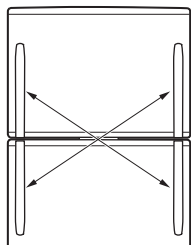
1. Sur les portes des compartiments réfrigérateur et congélateur, enlevez les vis de la butée de porte du côté droit à l'aide d'un tournevis à pointe étoilée.
2. Posez la butée de porte sur le côté gauche de chaque porte.



Instructions d'installation

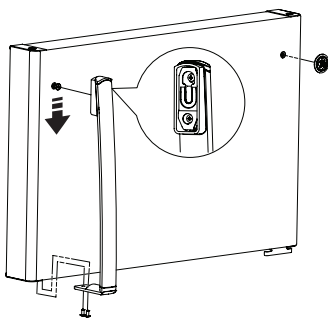
INVERSION DU SENS D'OUVERTURE DES PORTES (SUITE)

3 CHANGEMENT DE CÔTÉ DES POIGNÉES DE PORTE – TRANSFERT DE LA PORTE DU COMPARTIMENT CONGÉLATION AU CÔTÉ DROIT DE LA PORTE DU COMPARTIMENT RÉFRIGÉRATION



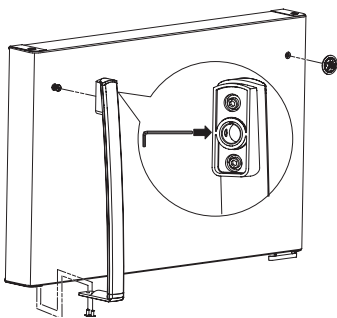
1. Enlevez les deux vis qui fixent le bas de la poignée à l'aide d'un tournevis à tête Phillips et enlevez l'écusson GE Appliances.

2. **Poignées en plastique :** Tirez la poignée vers le bas puis dégagez-la de la fixation sur la porte.



Poignées en acier inoxydable :

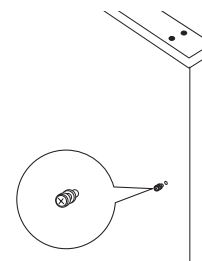
Desserrez la vis de pression de la poignée à l'aide de la clé 1/8 po et enlevez la poignée.



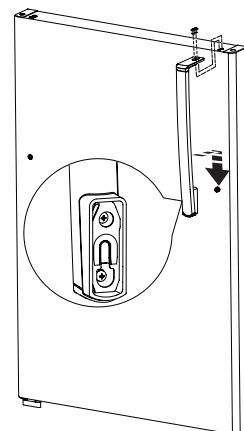
3. Enlevez la fixation de la surface de la porte congélateur et recouvrez le trou ainsi exposé avec l'écusson GE Appliances. (Dans le cas d'un nouvel appareil, l'écusson GE Appliances se trouve dans la trousse de la poignée. Si vous avez besoin d'un nouvel écusson, composez le 800.561.3344).

3 CHANGEMENT DE CÔTÉ DES POIGNÉES DE PORTE – TRANSFERT DE LA PORTE DU COMPARTIMENT CONGÉLATION AU CÔTÉ DROIT DE LA PORTE DU COMPARTIMENT RÉFRIGÉRATION (SUITE)

4. Enlevez le bouchon de la surface du côté droit de la porte réfrigérateur et insérez la fixation à l'aide d'un tournevis à pointe cruciforme.

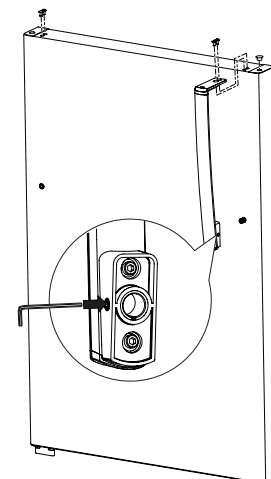


5. **Poignée en plastique :** Posez la poignée sur la fixation de la porte réfrigérateur et glissez-la vers le bas pour verrouiller en place avec les vis dans le haut de la poignée.



Poignée en acier inoxydable :

Fixez la poignée de la porte réfrigérateur à l'aide des vis dans le haut de la poignée. Utilisez la clé hexagonale 1/8 po pour serrer la vis de pression dans le bas de la poignée.



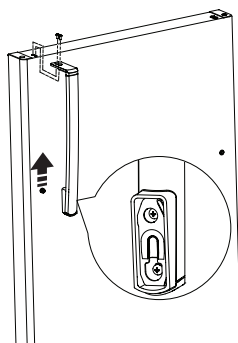
NOTE : Ne serrez pas trop fort.

Instructions d'installation

INVERSION DU SENS D'OUVERTURE DES PORTES (SUITE)

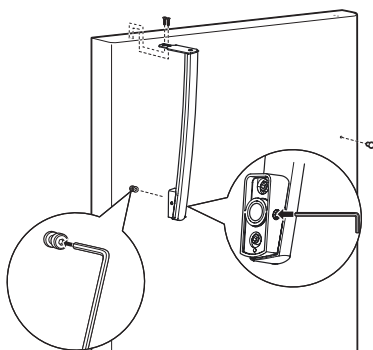
4 CHANGEMENT DE CÔTÉ DES POIGNÉES DE PORTE – TRANSFERT DE LA PORTE DU COMPARTIMENT RÉFRIGÉRATION AU CÔTÉ DROIT DE LA PORTE DU COMPARTIMENT CONGÉLATION

1. Enlevez les deux vis qui fixent le haut de la poignée à l'aide d'un tournevis à tête Phillips et enlevez l'écusson GE Appliances.



2. **Poignée en plastique :** Tirez la poignée vers le haut puis dégagez-la de la fixation sur la porte.

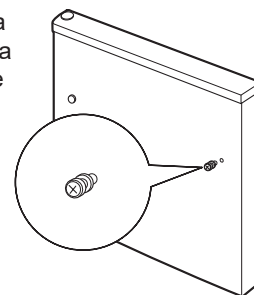
Poignée en acier inoxydable : Desserrez la vis de pression de la poignée à l'aide de la clé 1/8 po et enlevez la poignée.



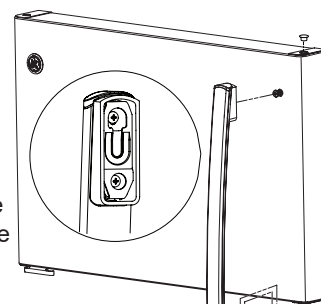
3. Enlevez la fixation de la surface de la porte réfrigérateur et recouvrez le trou ainsi exposé avec le bouchon du côté opposé.

4 CHANGEMENT DE CÔTÉ DES POIGNÉES DE PORTE – TRANSFERT DE LA PORTE DU COMPARTIMENT RÉFRIGÉRATION AU CÔTÉ DROIT DE LA PORTE DU COMPARTIMENT CONGÉLATION (SUITE)

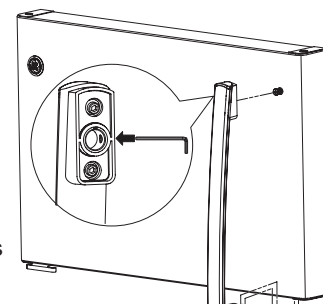
4. Insérez la fixation dans la surface du côté droit de la porte congélateur à l'aide d'un tournevis à pointe cruciforme.



5. **Poignée en plastique :** Posez la poignée sur la fixation de la porte congélateur et glissez-la vers le haut pour verrouiller en place avec les vis dans le bas de la poignée.



Poignée en acier inoxydable : Fixez la poignée de la porte congélateur à l'aide des vis dans le bas de la poignée. Utilisez la clé hexagonale 1/8 po pour serrer la vis de pression dans le haut de la poignée.

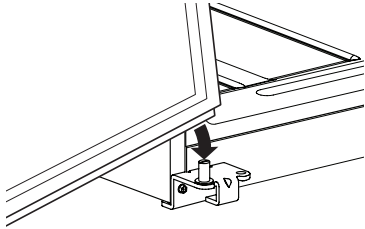


NOTE : Ne serrez pas trop fort.

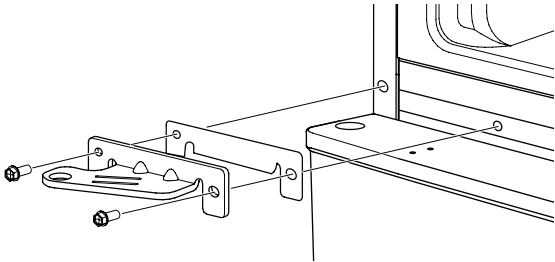
INVERSION DU SENS D'OUVERTURE DES PORTES (SUITE)

5 RACCROCHEMENT DE LA PORTE RÉFRIGÉRATEUR

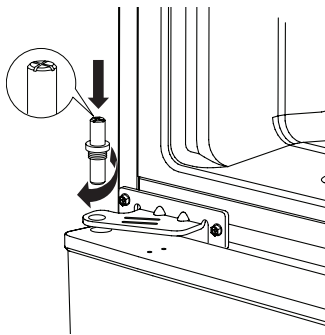
1. Faites descendre la porte du compartiment réfrigération sur l'axe de la charnière inférieure.



2. Tout en tenant la porte fermement, alignez le logement dans la porte sur le trou dans la charnière centrale. Fixez la charnière centrale et son joint d'étanchéité à l'aide de deux vis, d'une douille 5/16 po et d'un cliquet.

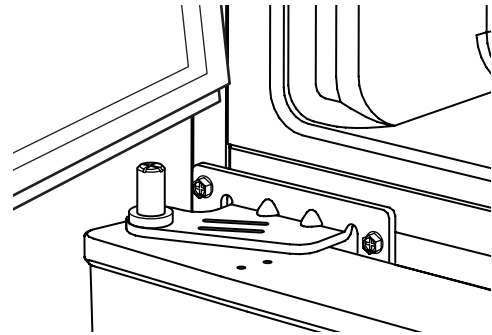


3. Vérifiez le bon alignement entre le logement de la porte et le trou dans la charnière centrale. Insérez l'axe de charnière dans la charnière centrale et serrez à l'aide d'un tournevis à pointe cruciforme jusqu'à ce que l'épaulement de l'axe touche la charnière.

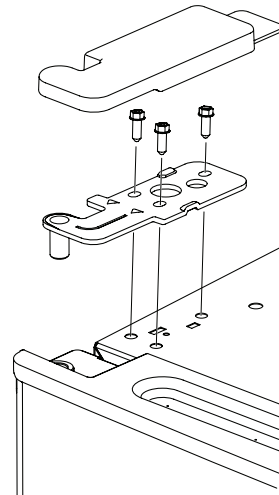


8 RACCROCHEMENT DE LA PORTE CONGÉLATEUR

1. Faites descendre la porte du compartiment congélation sur l'axe de la charnière centrale.



2. Placez la charnière supérieure gauche de façon que l'axe pénètre dans le logement de porte. (La charnière supérieure gauche et son couvercle se trouvent à l'intérieur du produit. Contactez le service GE Appliances au 1.800.561.3344. / 1.800.661.1616. si des pièces sont manquantes.) Soutenez la porte du côté de la poignée et assurez-vous que la porte est bien droite et que l'écart entre les portes est régulier sur toute sa longueur à l'avant. En tenant la porte en place, serrez les vis de la charnière supérieure. Ne serrez pas ces vis excessivement. Serrez-les jusqu'au bout, puis d'un autre demi-tour.
3. Posez le couvercle de la charnière supérieure gauche en le pressant d'un coup sec.



Bruits normaux de fonctionnement

Les réfrigérateurs plus récents font des bruits différents de ceux des anciens. Les réfrigérateurs modernes présentent plus de fonctions et sont plus avancés sur le plan technologique.

Entendez-vous ce que j'entends ? Ces bruits sont normaux.

HUMMM...

OUUCH...

- Le nouveau compresseur à rendement élevé peut fonctionner plus longtemps et plus vite que votre ancien réfrigérateur et vous pouvez entendre un son modulé ou un ronflement aigu pendant son fonctionnement.
- Vous pouvez entendre un sifflement lorsque les portes se ferment. Cela vient de l'équilibrage de pression dans le réfrigérateur.

OUIR !



- Vous pouvez entendre les ventilateurs tourner à hautes vitesses. Cela se produit lorsque le réfrigérateur vient d'être branché, lorsque les portes sont ouvertes fréquemment ou lors de l'ajout d'une grande quantité d'aliments dans les compartiments congélateur ou réfrigérateur. Les ventilateurs permettent de maintenir les bonnes températures.

CLICS, CLAQUEMENTS, CRAQUEMENTS et GRÉSILLEMENTS

- Vous pouvez entendre des craquements ou des claquements lorsque le réfrigérateur est branché pour la première fois. Cela se produit lorsque le réfrigérateur se refroidit à la bonne température.
- Le compresseur peut causer un clic ou un grésillement lors de la tentative de redémarrage (cela peut prendre 5 minutes).
- L'expansion et la contraction des serpentins de refroidissement pendant et après le dégivrage peuvent causer un craquement ou un claquement.
- Sur les modèles équipés d'une machine à glaçons, après un cycle de fabrication de glaçons, vous pouvez entendre les glaçons tomber dans le bac.
- Sur les modèles munis d'un distributeur, le mouvement des conduites peut être audible lors de la première distribution d'eau et après le relâchement du bouton du distributeur.

WATER SOUNDS



- Le passage de l'agent frigorigène dans les serpentins de refroidissement du congélateur peut être accompagné d'un gargouillement semblable à celui de l'eau en ébullition.
- L'eau tombant sur l'élément chauffant de dégivrage peut faire un bruit de grésillement, de claquement ou de bourdonnement pendant le cycle de dégivrage.
- Un bruit de suintement d'eau peut être entendu pendant le cycle de dégivrage lorsque la glace de l'évaporateur fond et tombe dans le bac de récupération.
- Fermer la porte peut causer un gargouillement en raison de l'équilibrage de pression.

Conseils de dépannage... Avant de faire un appel de service

Économisez temps et argent! Consultez d'abord les tableaux des pages suivantes et vous pourriez vous éviter un appel de service. Au besoin, vous pouvez programmer un appel de service en nous visitant sur **GEAppliances.com** ou en composant le 800.GECARES 800.432.2737. Au Canada, visitez **electromenagersge.ca** ou composez le 1.800.561.3344.

Problème	Causes possibles	Solutions
La porte du compartiment congélation s'ouvre instantanément lorsque la porte du compartiment réfrigération se referme	Ce phénomène est normal si la porte du compartiment congélation se referme d'elle-même à la suite de son ouverture.	Cela indique que le joint d'étanchéité du compartiment congélation est en bon état. Si la porte du compartiment congélation ne se referme pas automatiquement à la suite de son ouverture, les roulettes ont besoin d'être ajustées. Consultez Roulettes et pieds d'inclinaison.
La porte ne se ferme pas seule	Les pieds d'inclinaison doivent être ajustés.	Consultez Roulettes et pieds d'inclinaison.
Votre réfrigérateur ne fonctionne pas	Votre réfrigérateur se trouve dans son cycle de dégivrage.	Attendez environ 40 minutes la fin du dégivrage.
	L'un des boutons ou les deux boutons de réglage de température sont en position 1 (arrêt).	Tournez les boutons de réglage de température du compartiment réfrigération et du compartiment congélation en position plus élevée.
	Le réfrigérateur est débranché.	Poussez la fiche complètement dans la prise murale.
	Le fusible a sauté ou le disjoncteur a sauté.	Changez le fusible ou rebranchez le disjoncteur.
Vibrations ou bruits de casse (une petite vibration est normale)	Le réfrigérateur ne se pose pas bien sur les quatre roulettes.	Régalez les pieds d'inclinaison (Consultez Roulettes et pieds d'inclinaison).
Le moteur fonctionne pendant de longues périodes ou se met en marche et s'arrête fréquemment (Les réfrigérateurs modernes, qui ont davantage d'espace de rangement et un compartiment congélation plus grand, nécessitent plus de temps de fonctionnement. Ils se mettent en marche et s'arrêtent souvent pour maintenir des températures constantes.)	C'est normal quand on met en marche le réfrigérateur pour la première fois.	Attendez 24 heures que le réfrigérateur se refroidisse complètement.
	Cela arrive souvent quand on met beaucoup d'aliments dans le réfrigérateur.	C'est normal.
	La porte est restée ouverte.	Vérifiez qu'un paquet d'aliments n'empêche pas la porte de bien se fermer.
	Il fait chaud ou vous ouvrez souvent la porte.	C'est normal.
	Les boutons de réglage de température sont mis à leur position la plus froide.	Consultez Boutons de réglage de température.
Le compartiment réfrigération ou congélation est trop chaud	Le bouton de réglage de température est mis à une température trop basse.	Consultez Boutons de réglage de température.
	Il fait chaud ou vous ouvrez souvent la porte	Mettez le bouton de réglage de température un numéro plus froid. Consultez Boutons de réglage de température.
	La porte est restée ouverte.	Vérifiez qu'un paquet d'aliments n'empêche pas la porte de bien se fermer.
	La porte du compartiment congélation s'est ouvert instantanément.	Consultez La porte du compartiment congélation s'ouvre instantanément lorsque la porte du compartiment réfrigération se referme.
Du givre ou des cristaux de glace se forment sur les aliments congelés (du givre à l'intérieur des paquets d'aliments est normal)	La porte est restée ouverte.	Vérifiez qu'un paquet d'aliments n'empêche pas la porte de bien se fermer.
	Vous ouvrez la porte trop souvent ou trop longtemps.	
	De la nourriture obstrue les ouvertures de circulation d'air du compartiment congélation.	Éloignez la nourriture de la paroi arrière du compartiment congélation.
Vibration fréquente	Le bras palpeur est à la position ON (marche, vers le bas), mais la conduite d'alimentation d'eau n'est pas raccordé au réfrigérateur.	Positionnez le bras palpeur à la position STOP (arrêt, vers le haut). Le robinet d'eau s'endommagera si on le laisse à la position ON (marche, vers le bas).
Petits glaçons ou glaçons creux à l'intérieur	Le filtre à eau est bouché.	Remplacez la cartouche du filtre avec une nouvelle cartouche ou installez le bouchon du filtre.
La machine à glaçons automatique ne fonctionne pas (sur certains modèles)	Le bras palpeur de la machine à glaçons n'est pas à la position ON (marche).	Déplacez le bras palpeur à la position ON (marche).
	L'alimentation d'eau est arrêtée ou n'est pas branchée.	•Consultez Installation de la conduite d'eau.
	Le compartiment congélateur est trop chaud.	Attendez 24 heures que le réfrigérateur soit complètement froid.
	Une accumulation de glaçons dans le tiroir à glaçons peut causer un arrêt de la machine à glaçons.	Égalisez les glaçons à la main.
	Des glaçons se sont collés dans la machine à glaçons (le voyant lumineux vert de la machine à glaçons clignote).	Débranchez la machine à glaçons, enlevez les glaçons, puis remettez en marche la machine à glaçons.

Conseils de dépannage... Avant de faire un appel de service

Problème	Causes possibles	Solutions
Les glaçons ont une odeur ou un goût	Le bac à glaçons doit être nettoyé.	Videz et lavez le bac à glaçons. Jetez les vieux glaçons.
	Les aliments donnent de l'odeur ou du goût aux glaçons.	Emballez bien les aliments.
	L'intérieur du réfrigérateur a besoin d'être nettoyé.	Consultez Soins et nettoyage de votre réfrigérateur.
La formation des glaçons est lente	La porte est restée ouverte.	Vérifiez qu'un paquet d'aliments n'empêche pas la porte de bien se fermer.
	Le bouton de réglage de température est mis à une température trop basse.	Consultez Bouton de réglage de température. Il faut de 12 à 24 heures à un réfrigérateur nouvellement installé pour commencer à faire des glaçons.
De l'humidité se forme sur la surface de l'armoire du réfrigérateur entre les portes	C'est normal pendant les périodes de grande humidité.	Essuyez complètement la surface, puis réglez la température du compartiment réfrigération un chiffre plus haut et vérifiez à nouveau 24 heures plus tard.
Le réfrigérateur sent	Les aliments donnent une odeur au réfrigérateur.	Vous devez bien emballer les aliments qui sentent fort. Conservez une boîte ouverte de bicarbonate de soude dans votre réfrigérateur; remplacez-la tous les trois mois.
	L'intérieur a besoin d'un nettoyage.	Consultez Soins et nettoyage de votre réfrigérateur.
De l'humidité se forme à l'intérieur (quand il fait humide, l'air à l'intérieur du réfrigérateur quand vous ouvrez les portes)	Vous ouvrez les portes trop souvent ou trop longtemps.	
	Des contenants ouverts renfermant de l'eau ou de la nourriture chaude se trouvent dans le compartiment réfrigération.	Recouvrez ou fermez hermétiquement les contenants transportant de l'humidité ouverts. L'humidité est évacuée du compartiment réfrigération lors du cycle de dégivrage, mais elle peut être réintroduite lors d'ouvertures prolongées et fréquentes de la porte.
La lumière de compartiment réfrigération ne s'allume pas	Pas d'électricité à la prise.	Remplacez le fusible ou remettez en marche le disjoncteur.
	L'ampoule a brûlé ou elle n'est pas vissée à fond.	Consultez Remplacement des ampoules électriques.
De l'air chaud souffle du bas du réfrigérateur normales et pas dangereuses.	C'est normal. Le moteur se refroidit à l'air. Dans le processus de réfrigération il est normal que de la chaleur soit émise en bas du réfrigérateur. Certains revêtements de sol sont sensibles et changent de couleur à ces températures	
Les aliments gèlent dans le compartiment réfrigération.	Les aliments sont trop près de l'ouverture de circulation d'air à l'arrière du compartiment réfrigération.	Éloignez les aliments de l'ouverture de circulation d'air (près des réglages).
	Le réglage de votre réfrigérateur est trop froid.	Réglez votre réfrigérateur à une température plus chaude en sélectionnant une graduation à la fois.
Il y a une lueur orangée dans le compartiment congélation	Le chauffage du dégivrage fonctionne.	C'est normal.
Les bacs ne peuvent se placer dans la porte	Les bacs de porte du compartiment congélation n'ont pas les mêmes dimensions que ceux du compartiment réfrigération.	Essayez les bacs sur les deux portes.
Les commandes ne s'allument pas	Certains modèles ne sont pas munis de commandes lumineuses.	Si vous pouvez apercevoir des chiffres blancs sur le tableau de réglage, alors le modèle n'est pas muni de commandes lumineuses.
	L'ampoule du compartiment réfrigération a brûlé ou elle n'est pas vissée à fond.	Consultez Remplacement des ampoules électriques.
Mauvais goût/odeur de l'eau	Le distributeur d'eau n'a pas été utilisé depuis longtemps.	Faites couler l'eau jusqu'à ce que l'eau du système soit remplacée par de l'eau fraîche.
L'eau versée dans le premier verre est chaude	Normal lorsque le réfrigérateur est initialement installé.	Attendez 24 heures pour que la température du réfrigérateur se stabilise.
	Le distributeur d'eau n'a pas été utilisé depuis longtemps.	Faites couler l'eau jusqu'à ce que l'eau du système soit remplacée par de l'eau fraîche.
	Le réservoir d'eau vient d'être vidangé.	Attendez plusieurs heures pour que l'eau refroidisse.
La machine à glaçons ne distribue ni eau ni glaçons	La conduite d'eau ou le robinet d'arrêt est bouché.	Appelez un plombier.

Garantie limitée du réfrigérateur

Pour les clients des États-Unis, toutes les réparations en vertu de la garantie sont fournies par nos Centres de Service d'Usine ou par un technicien autorisé Customer Care®. Pour prévoir une réparation, consultez notre site GEAppliances.com ou appelez le 800.GE.CARE5 (800.432.2737). Veuillez avoir votre numéro de série et votre numéro de modèle à portée de main lorsque vous appelez pour obtenir un service. Au Canada, composez le 1.800.561.3344

Pour le diagnostic, la réparation de votre réfrigérateur peut nécessiter l'utilisation du port de données embarqué. Celui-ci permet au technicien de réparation GE Appliances de diagnostiquer rapidement des problèmes avec votre appareil. Il permet également à GE Appliances d'améliorer ses produits en fournissant à ces derniers des informations sur votre appareil. Si vous ne voulez pas que les données de votre appareil soient envoyées à GE Appliances, veuillez demander à votre technicien de NE PAS soumettre les données à GE Appliances pendant la réparation.

Pendant la période de :	GE Appliances remplacera
Un An A compter de la date d'achat initial	Toute pièce du réfrigérateur qui s'avère défectueuse en raison d'un défaut de matériau ou de fabrication. Pendant la validité de la présente garantie limitée d'un an, GE Appliances fournira également gratuitement la main d'œuvre et le service pour réparer la pièce défectueuse.

Ce qui n'est pas couvert :

- Les déplacements à votre domicile pour vous expliquer l'utilisation de ce produit
- Une installation, livraison ou maintenance défectueuse.
- Une panne du produit par abus d'utilisation, par mauvaise utilisation, par modification ou s'il a été utilisé dans un but autre que celui pour lequel il a été fabriqué.
- Détérioration des aliments.
- Le remplacement des fusibles ou le ré-enclenchement du disjoncteur du domicile.
- Les dommages causés après la livraison.
- Le remplacement de la cartouche filtrante, si incluse, à cause d'une pression d'eau en dehors de la gamme de fonctionnement recommandée ou à cause d'une concentration excessive de sédiments dans l'eau d'alimentation.
- Le remplacement des ampoules, si incluses, ou la cartouche filtrante, si incluse, et dans des conditions autres que celles susmentionnées.
- Tout dommage causé par accident, incendie, inondation ou une catastrophe naturelle.
- Tout dommage fortuit ou indirect causé par des défauts éventuels de cet appareil.
- Le service s'il est impossible d'avoir accès au produit.
- Dommages causés par l'utilisation d'un filtre qui n'est pas de marque GE Appliances.
- Tout dommage au fini de l'appareil doit être signalé auprès du magasin où a été effectué l'achat dans les 48 heures suivant la livraison de l'appareil.
- Les produits n'étant pas défectueux, brisés ou qui fonctionnent selon la description du manuel du propriétaire.

EXCLUSION DES GARANTIES TACITES - Votre recours exclusif est l'échange du produit suivant les modalités de la Garantie Limitée. Toutes garanties tacites, y compris les garanties de valeurs marchandes ou d'adéquation à des fins particulières, sont limitées à une durée d'un an ou à la durée la plus courte autorisée par la loi.

Pour les clients des États-Unis : Cette garantie limitée est étendue à l'acheteur d'origine et aux propriétaires suivants pour tout produit acheté pour une utilisation domestique aux États-Unis. Si le produit est installé dans une région où ne se trouve aucun réparateur autorisé GE Appliances, vous devrez peut-être assumer les frais de transport ou apporter l'appareil à un centre de service autorisé GE Appliances. En Alaska, cette garantie limitée exclut le coût d'expédition ou de dépannage à votre domicile.

Certains états n'acceptent pas d'exclusion ou de limites aux dommages indirects consécutifs. Certains droits particuliers vous sont dévolus en vertu de la présente garantie limitée et peuvent s'accompagner d'autres droits qui varient selon votre lieu de résidence. Pour connaître vos droits juridiques, veuillez consulter le bureau local ou le bureau d'état des affaires aux consommateurs ou le Procureur Général de votre état.

Garant : États-Unis : GE Appliances, a Haier company
Louisville, KY 40225

Pour les clients au Canada: Cette garantie est étendue à l'acheteur d'origine et aux propriétaires suivants pour tout produit acheté au Canada pour une utilisation domestique au Canada. Le service à domicile en vertu de la garantie sera fourni dans les régions où il est disponible et où Mabe estime raisonnable de le fournir.

Garant Canada : MC Commercial, Burlington, ON Canada, L7R 5B6

Agrafez votre facture ici. Pour bénéficier du service de réparation sous garantie, une preuve de la date d'achat initial est nécessaire.

Soutien au consommateur

Site Web de GE Appliances

Vous avez une question ou vous avez besoin d'aide pour votre appareil électroménager? Visitez le site Web de GE Appliances 24 heures par jour, tous les jours de l'année! Vous pouvez aussi y trouver d'autres formidables produits GE Appliances et tirer avantage de tous nos services d'assistance en ligne. Aux États-Unis : **GEAppliances.com**
Au Canada : **GEAppliances.ca**

Enregistrez votre électroménager

Enregistrez votre nouvel appareil en ligne au moment qui vous convient le mieux! L'enregistrement de votre produit dans les délais prescrits permet une meilleure communication et un service rapide, selon les modalités de votre garantie, si besoin est. Vous pouvez également envoyer par courrier la carte d'enregistrement pré-imprimée qui se trouve dans l'emballage de votre appareil.

Aux États-Unis : **GEAppliances.com/register**

Au Canada : **Prodsupport.mabe.ca/crm/Products/ProductRegistration.aspx**

Service de réparation

Un service de réparation expert GE Appliances se trouve à quelques pas de chez vous. Rendez-vous sur notre site et programmez, à votre convenance, une visite de réparation à n'importe quel jour de l'année.

Aux États-Unis : **GEAppliances.com/service** ou composez le 800.432.2737 durant les heures normales de bureau.

Au Canada : **GEAppliances.ca/en/support/service-request** ou composez le 800.561.3344

Prolongation de garantie

Procurez-vous une prolongation de garantie GE Appliances et informez-vous des rabais spéciaux en vigueur pendant la durée de votre garantie. Vous pouvez vous la procurer en ligne en tout temps. Les services GE Appliances seront toujours disponibles après l'expiration de la garantie. Aux États-Unis :

GEAppliances.com/ge/extended-warranty ou composez le 800.626.2224 durant les heures normales de bureau.

Au Canada : **GEAppliances.ca/en/support/purchase-extended-warranty** ou composez le 800.290.9029

Connectivité à distance

Pour de l'assistance concernant la connectivité au réseau sans fil (pour les modèles équipés de cette fonction), visitez notre site Web au **GEAppliances.com/connected-home-smart-appliances** ou composez le 1.800.561.3344 aux États-Unis seulement.

Pièces et accessoires

Les personnes ayant les compétences requises pour réparer elles-mêmes leurs appareils peuvent recevoir directement à la maison des pièces ou accessoires (les cartes VISA, MasterCard et Discover sont acceptées). Commandez en ligne 24 heures par jour.

Aux États-Unis : **GEApplianceparts.com** ou par téléphone au 877.959.8688 durant les heures normales de bureau.

Les instructions contenues dans le présent manuel comportent des procédures que tout utilisateur peut effectuer. Les autres types de réparation doivent généralement être confiés à un technicien qualifié. Usez de prudence : une réparation ou un entretien mal effectués peuvent rendre l'utilisation de l'appareil dangereuse.

Les consommateurs au Canada doivent consulter les pages jaunes pour connaître le centre de service Mabe le plus proche, visiter notre site Web au **GEAppliances.ca/en/products/parts-filters-accessories** ou composer le 1.800.661.1616.

Communiquez avec nous

Si vous n'êtes pas satisfait du service après-vente de GE Appliances, communiquez avec nous depuis notre site Web en fournissant tous les détails dont votre numéro de téléphone, ou écrivez à :

Aux États-Unis : General Manager, Customer Relations | GE Appliances, Appliance Park | Louisville, KY 40225

GEAppliances.com/contact

Au Canada : MC Commercial, Burlington, ON Canada, L7R 5B6

GEAppliances.ca/en/contact-us



Congelador superior
REFRIGERADORES

INFORMACIÓN DE SEGURIDAD 3

OPERACIÓN DEL REFRIGERADORE

Controles5

Estantes y compartimientos6

Cajones y recipientes7

Máquina de hielos automática8

CUIDADO Y LIMPIEZA9

Limpieza de la parte exterior9

Limpieza de la parte interior9

Condensador9

Cómo Mover el Refrigerador10

Preparación para vacaciones10

Preparación para una mudanza10

Cómo reemplazar la bombilla10

INSTRUCCIONES PARA LA INSTALACIÓN

Preparación para instalar el refrigerador 11

Instalación de la tubería del agua 12

Instrucciones para la instalación de la máquina de hielos 16

Cómo invertir el vaivén de la puerta ... 17

SOLUCIÓN DE PROBLEMAS

Sonidos normales de operación22

Consejos para la solución de problema23

GARANTÍA LIMITADA25

SOPORTE AL CONSUMIDOR .. 26

MANUAL DEL PROPIETARIO E INSTRUCCIONES DE INSTALACIÓN

GTE21
GIE21

ESPAÑOL

Escriba los números de modelo y de serie aquí:

Nº de Modelo _____

Nº de Serie _____

Busque estos números en una etiqueta del lado izquierdo, cerca de la parte intermedia del compartimiento del refrigerador .

GRACIAS POR HACER QUE GE APPLIANCES SEA PARTE DE SU HOGAR.

Ya sea que haya crecido usando GE Appliances, o que ésta es su primera vez, nos complace tenerlo en la familia.

Sentimos orgullo por el nivel de arte, innovación y diseño de cada uno de los electrodomésticos de GE Appliances, y creemos que usted también. Entre otras cosas, el registro de su electrodoméstico asegura que podamos entregarle información importante del producto y detalles de la garantía cuando los necesite.

Registre su electrodoméstico GE ahora a través de Internet. Sitios Web y números telefónicos útiles están disponibles en la sección de Soporte para el Consumidor de este Manual del Propietario.

También puede enviar una carta en la tarjeta de inscripción preimpresa que se incluye con el material embalado.



GE APPLIANCES

INFORMACIÓN IMPORTANTE DE SEGURIDAD

LEA TODAS LAS INSTRUCCIONES ANTES DE USAR

⚠️ ADVERTENCIA

A fin de reducir el riesgo de incendio, explosión, descargas eléctricas o lesiones al usar su refrigerador, siga estas precauciones básicas de seguridad:

- Este refrigerador se deberá instalar y ubicar adecuadamente de acuerdo con las Instrucciones de Instalación antes de ser usado.
- Desenchufe el refrigerador antes de hacer reparaciones, reemplazar una lámpara de luz o hacer una limpieza.
NOTA: La corriente que va al refrigerador no puede ser desconectada por ninguna configuración del panel de control.
NOTA: Las reparaciones deberán ser realizadas por un Profesional del Servicio Técnico calificado.
- Reemplace todas las piezas y paneles antes del uso.
- No guarde ni use gasolina u otros vapores inflamables y líquidos cerca de este u otros electrodomésticos.
- No guarde sustancias explosivas tales como latas de aerosoles con propelentes inflamables en este electrodoméstico.
- No use un prolongador.
- A fin de evitar riesgos de que los niños sufran asfixia o queden atrapados, retire las puertas de comidas frescas y del freezer de cualquier refrigerador antes de deshacerse o dejar de usar el mismo.
- Para evitar lesiones graves o la muerte, los niños no se deberán parar sobre ni jugar en o con el electrodoméstico.
- Los niños y las personas con capacidad física, sensorial o mental reducida o con falta de experiencia y conocimiento podrán usar este electrodoméstico sólo si son supervisados o les fueron dadas instrucciones sobre un uso seguro y entienden los riesgos involucrados.
- Este electrodoméstico fue diseñado para uso hogareño y para aplicaciones similares tales como: áreas de personal de cocina en tiendas, oficinas y otros espacios laborales; casas de campo; por clientes en hoteles, moteles, hostales y otros espacios residenciales, catering y aplicaciones no minoristas similares.

⚠️ PRECAUCIÓN

A fin de reducir el riesgo de lesiones al usar el refrigerador, siga estas precauciones básicas.

- No limpie estantes de vidrio ni tapas con agua caliente cuando estén fríos. Los estantes de vidrio y las tapas se pueden romper si son expuestos a cambios de temperatura repentinos o impactos, tales como sacudones o caídas. El vidrio templado está diseñado para destruirse en pequeñas piezas en caso de rotura.
- Mantenga los dedos fuera de los espacios de "riesgo de lastimaduras"; los despejes entre las puertas y entre las puertas y el gabinete son necesariamente pequeños. Tenga el cuidado de cerrar las puertas cuando los niños se encuentren en el área.
- No toque las superficies frías del compartimiento del freezer cuando las manos estén húmedas o mojadas, ya que la piel se podrá adherir a estas superficies extremadamente frías.
- No vuelva a congelar comidas que hayan estado totalmente congeladas en forma previa.
- En refrigeradores con máquinas de hacer hielo automáticas, evite el contacto con las partes móviles del mecanismo eyector o con el elemento de calefacción que libera los cubos. No coloque los dedos ni las manos en el mecanismo de la máquina de hielo automática mientras el refrigerador esté enchufado.

⚠️ ADVERTENCIA



RIESGO DE INCENDIO O EXPLOSIÓN Refrigerantes Inflamables

Este electrodoméstico cuenta con refrigerante isobutano, también conocido como R600a, un gas natural con alto nivel de compatibilidad medioambiental. Sin embargo, también es combustible. Siga las advertencias que figuran a continuación, a fin de reducir el riesgo de lesiones o daños sobre la propiedad.

1. Al mover, instalar y operar el electrodoméstico, se deberá tener cuidado de no dañar la tubería del refrigerante.
2. El servicio técnico sólo debe ser realizado por personal autorizado del servicio. Use sólo piezas del servicio autorizadas por el fabricante
3. Descarte el electrodoméstico de acuerdo con las Regulaciones Federales y Locales. El refrigerante inflamable y el material aislante inflamable usados en este producto requieren procedimientos de descarte especiales. Comuníquese con las autoridades locales para descartar su refrigerador de forma ambientalmente segura.
4. Mantenga las aberturas de ventilación en el espacio de protección del electrodoméstico o en la estructura incorporada libres de obstrucción.
5. A fin de eliminar la escarcha, raspe con una espátula o raspador de plástico o madera. No use un pico de hielo o un instrumento de metal con forma puntiaguda, ya que esto podrá perforar el revestimiento del freezer y luego la tubería refrigerante inflamable detrás de éste.
6. No use dispositivos eléctricos dentro del compartimiento de almacenamiento de comida del electrodoméstico.
7. No use ningún dispositivo eléctrico para descongelar su refrigerador.

LEA Y GUARDE ESTAS INSTRUCCIONES

INFORMACIÓN IMPORTANTE DE SEGURIDAD LEA TODAS LAS INSTRUCCIONES ANTES DE USAR

INSTALACIÓN

⚠ ADVERTENCIA RIESGO DE INCENDIO O EXPLOSIÓN

Mantenga cualquier material y vapores inflamables alejados del refrigerador. Si no se cumple con esto se podrá producir una explosión, incendio o la muerte.

CONEXIÓN DE LA ELECTRICIDAD

⚠ ADVERTENCIA RIESGO DE DESCARGA ELÉCTRICA

Enchufe en un tomacorriente con conexión a tierra de 3 cables.

No elimine el cable de conexión a tierra.

No use un adaptador.

No use un prolongador.

Si no se siguen estas instrucciones se podrá producir a muerte, incendios o descargas eléctricas.

Nunca, bajo ninguna circunstancia, corte o elimine el tercer cable (tierra) del cable de corriente. Para su seguridad personal, este electrodoméstico debe estar adecuadamente conectado a tierra.

El cable de corriente de este electrodoméstico contiene un enchufe de 3 cables (conexión a tierra) que se conecta a un tomacorriente de pared estándar de 3 cables (conexión a tierra) para minimizar la posibilidad de riesgos de descargas eléctricas por parte del mismo.

Contrate a un electricista calificado para que controle el tomacorriente y el circuito eléctrico, a fin de asegurar que el enchufe esté correctamente conectado a tierra.

En caso de contar con un tomacorriente de pared de 2 cables, es su responsabilidad y obligación reemplazarlo por un tomacorriente de pared de 3 cables correctamente conectado a tierra. No use un adaptador.

El refrigerador debería estar siempre conectado a un enchufe específico con un índice de voltaje equivalente al que figura en su etiqueta de características técnicas.

Se requiere un suministro eléctrico con fusible y conexión a tierra de 115 voltios de CA, 60 Hz, 15 o 20 amperes. Esto garantiza el mejor funcionamiento y además previene la sobrecarga de los circuitos del hogar, lo cual podría ocasionar riesgos de incendio debido al recalentamiento de cables.

Nunca desenchufe el refrigerador tirando del cable de corriente. Siempre tome su enchufe firmemente y empuje el mismo hacia afuera para retirarlo.

Inmediatamente interrumpa el uso de un cable de suministro de corriente dañado. Si el cable de corriente se encuentra dañado, su reemplazo deberá ser realizado por un profesional calificado del servicio técnico, utilizando una pieza del servicio técnico autorizada por el fabricante.

Al alejar el refrigerador de la pared, se deberá tener cuidado de que no ruede sobre ni dañe el cable de corriente.

FORMA ADECUADA DE DESCARTAR SU ANTIGUO REFRIGERADOR

⚠ ADVERTENCIA PELIGRO DE SUFFOCATION Y ENTRAPMENT

El incumplimiento de estas instrucciones de eliminación puede causar la muerte o lesiones graves.

IMPORTANTE: Que un niño quede atrapado o que sufra una asfixia no son problemas del pasado. Los refrigeradores antiguos o abandonados aún son peligrosos, incluso aunque se conserven por "sólo unos pocos días". Si se deshará de su antiguo refrigerador, siga las siguientes instrucciones a fin de evitar accidentes.

Antes de descartar su antiguo aparato:

- Retire las puertas de comidas frescas y del freezer.
- Deje los estantes en su lugar de modo que los niños no puedan trepar dentro con facilidad.

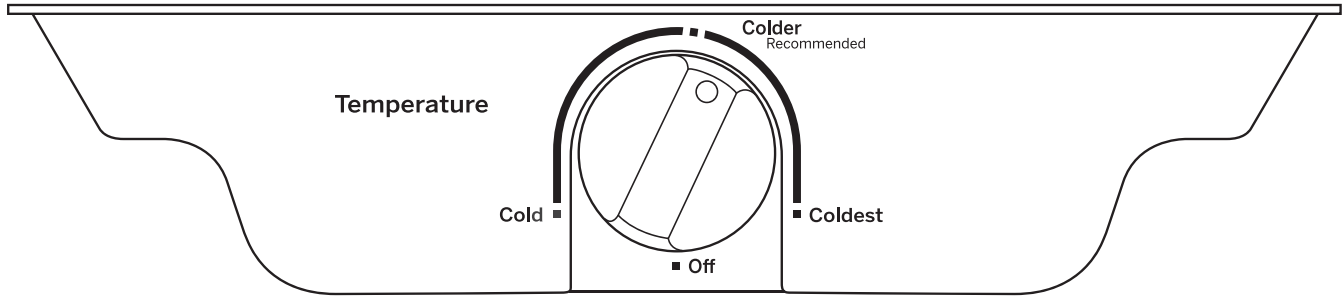
Descarte de Refrigerantes y Gomaespumas:

Descarte o recicle su electrodoméstico de acuerdo con las Regulaciones Federales y Locales. El refrigerante inflamable y el material aislante inflamable usados requieren procedimientos de descarte especiales. Comuníquese con las autoridades locales para descartar o reciclar su electrodoméstico de forma ambientalmente segura.

LEA Y GUARDE ESTAS INSTRUCCIONES

Controles

Los controles en su refrigerador lucirán como uno de los siguientes:



Niveles de los controles

Inicialmente, configure el control del refrigerador en la configuración recomendada. Espere 24 horas hasta que la temperatura se estabilice.

Es posible que se requieran varios ajustes. Ajuste los controles del refrigerador realizando un incremento por vez y espere 12 horas luego de cada ajuste, a fin de que el refrigerador llegue a la temperatura que usted configuró.

Configurar el control del refrigerador en Off detiene el enfriamiento en los compartimientos del freezer y del refrigerador, pero no apaga la corriente eléctrica del refrigerador.

Los niveles de los controles variarán según las preferencias personales, el uso y las condiciones de operación, y pueden requerir más de un ajuste. Los factores que afectan la temperatura incluyen la cantidad de alimentos en el refrigerador o congelador, la frecuencia con que se abre la puerta y la temperatura de los alimentos cuando se ponen en el refrigerador.

Estantes y compartimientos

No todas las características están presentes en todos los modelos.

Reorganización de los estantes

Los estantes en los compartimientos del refrigerador y del congelador son ajustables.

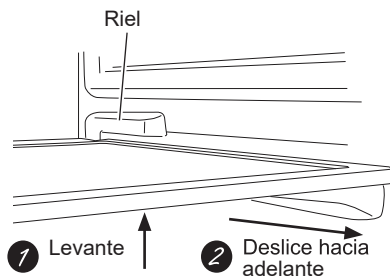
COMPARTIMIENTO DEL REFRIGERADOR

Estantes de ancho completo

La repisa descansa sobre un soporte moldeado de la pared lateral y se bloquea en un riel en la pared del gabinete trasero a cada lado.

Para quitar:

1. Levante la repisa a través del espacio del riel.
2. Deslice la repisa hacia delante a lo largo del riel.
3. Pull the shelf out of the unit.



Para volver a colocar:

Invierta los pasos anteriores para el retiro.

⚠ PRECAUCIÓN

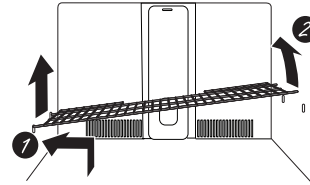
No limpie estantes de vidrio ni tapas con agua caliente cuando estén fríos. Los estantes de vidrio y las tapas se pueden romper si son expuestos a cambios de temperatura repentinos o impactos tales como sacudones o caídas. El vidrio templado está diseñado para destruirse en pequeñas piezas en caso de rotura.

No lave ninguna parte plástica del refrigerador en el lavavajillas.er.

Compartimiento del congelador

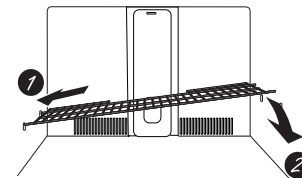
Para retirarlo:

1. Levante ambos lados de la repisa y deslice la misma hacia la izquierda, sobre el centro de los soportes de la repisa.
2. Rote el lado derecho del estante hacia arriba y fuera de los soportes del estante.



Para reemplazarlo:

1. Sosteniendo la repisa en diagonal, inserte el extremo izquierdo de la repisa en la parte superior de los soportes de la repisa en la pared lateral.
2. Inserte el extremo derecho del estante en los soportes del estante en la pared lateral. Descanse cada extremo del estante en el fondo de los soportes del estante.

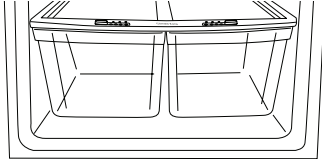


Cajones y recipientes

No todas las características están presentes en todos los modelos.

Gaveta preservadora de frutas y vegetales

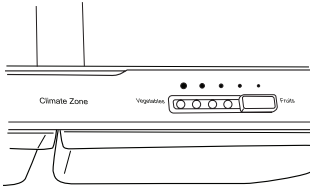
El exceso de agua que pueda acumularse al fondo de las gavetas debe retirarse y se deben limpiar las gavetas.



Gaveta preservadora de humedad ajustable

Deslice el control hasta la configuración Vegetables (Verduras) a fin de brindar el alto nivel de humedad recomendado para la mayor de las verduras.

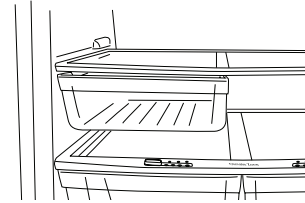
Deslice el control hasta la configuración Fruits (Frutas) a fin de brindar el bajo nivel de humedad recomendado para la mayor de las frutas.



Contenedor de meriendas

Este contenedor puede moverse a la ubicación más útil para las necesidades de su familia.

Para retirarla: Deslice el contenedor hacia fuera hasta la posición de freno, levante el contenedor y pase la posición de freno y levántela.



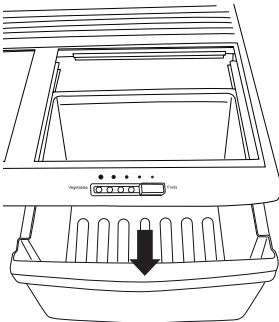
Cómo retirar la gaveta preservadora de alimentos

Desocupe el estante inferior antes de intentar retirar las gavetas de almacenamiento.

Para retirar:

Levante las gavetas hacia arriba ligeramente mientras las hala pasando por el punto del freno.

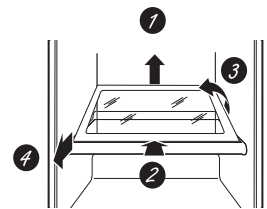
Si no puede quitar las gavetas a causa de la puerta, primero trate de sacar las bandejas de la puerta. Si esto no proporciona el espacio necesario, se necesitará hacer rodar el refrigerador hacia adelante hasta que la puerta se abra lo bastante para deslizar las gavetas hasta quitarlas. En algunos casos, cuando se hace rodar el refrigerador, hacia adelante se necesitará moverlo el refrigerador hacia la izquierda o derecha al mismo tiempo.



Para retirar la cubierta de vidrio:

Retire el vidrio, luego el marco. Cuando reemplace el vidrio, empuje el borde frontal firmemente en el marco.

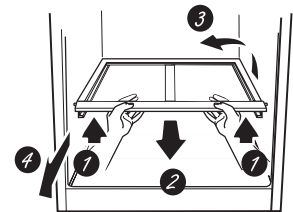
1. Empuje la cubierta de vidrio al posterior.
2. Deslice la cubierta de vidrio hacia atrás hasta que el borde frontal se salga del marco.
3. Rote el costado de la cubierta del vidrio hacia arriba.
4. Retire la cubierta de vidrio.



Para retirar la cubierta de vidrio

Para retirar el marco:

1. Levante el frente del marco usando ambas manos.
2. Deslice el marco hacia delante.
3. Rote el costado del marco hacia arriba.
4. Retire el marco.



Para retirar el marco

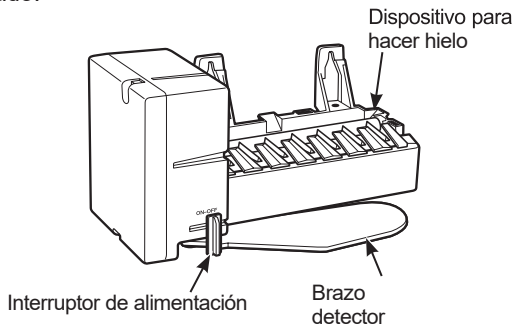
Máquina de hielos automática

Un refrigerador recientemente instalado puede tomar entre 12 y 24 horas para empezar a hacer hielo.

Máquina de hielos automática (en algunos modelos)

⚠ PRECAUCIÓN

Evite el contacto con las partes en movimiento del mecanismo expulsor o con el elemento de calefacción (ubicado en la parte inferior de la máquina de hielo) que expulsa los cubos. No coloque los dedos ni las manos en el mecanismo de la máquina de hielos automática mientras el refrigerador esté enchufado.



La máquina de hielos producirá aproximadamente 3 a 3-1/2 libras de hielo en un período de 24 horas, dependiendo de la temperatura del compartimento del congelador, la temperatura del cuarto, el número de veces que se abre la puerta y otras condiciones de uso.

Si el refrigerador se utiliza antes de realizar la conexión del agua a la máquina de hielos, mueva el interruptor de corriente a OFF (Apagado).

Cuando el refrigerador haya sido conectado al suministro de agua, ajuste el interruptor de corriente en la posición ON (Encendido).

La máquina de hielos se llenará de agua cuando se enfríe hasta 15°F. Un refrigerador recién instalado se puede tomar entre 12 y 24 horas para empezar a hacer cubos de hielo.

Una vez que la máquina de hielos empieza a hacer hielo, puede tomar hasta 48 horas para llenar el compartimento, dependiendo de los niveles de temperatura y del número de veces que se abra la puerta.

Escuchará un sonido de zumbido cada vez que la máquina de hielos se llene con agua.

Deseche los primeros cubos de hielo para permitir que la línea del agua se limpie.

Asegúrese de que nada interfiera con el movimiento del brazo indicador.

Cuando el contenedor se llene al nivel del brazo indicador, la máquina de hielos dejará de producir hielos.

Es normal que varios cubos de hielo se junten.

Si el hielo no se usa con frecuencia, los cubos de hielo viejo se volverán turbios, con sabor rancio, se encogerán o se junten.

NOTA: En hogares con presión de agua inferior al promedio, es posible que escuche el ciclo de la máquina de hielos varias veces al hacer un lote de hielo.

Kit de accesorios de la máquina de hielos

Si su refrigerador no viene ya equipado con una máquina de hielos automática, existe un kit accesorio para la máquina de hielos que está disponible por un costo adicional.

Controle en la parte trasera del refrigerador el kit específico de la máquina de hielos necesario para su modelo.

Cuidado y limpieza

Limpieza exterior

Las manijas de la puerta y accesorio. Limpie con un paño humedecido con agua jabonosa. Seque con un paño seco.

Mantenga el exterior limpio. Límpielo con un paño ligeramente humedecido con cera de cocina para electrodomésticos o detergente líquido suave para platos. Seque y brille con un paño limpio y seco.

Los paneles y las empuñaduras de las puertas de acero inoxidable (en algunos modelos) pueden ser limpiados con un limpiador para acero inoxidable para usos comerciales. Los limpiadores con ácido oxálico tales como Bar Keepers Friend Soft Cleanser eliminarán el óxido, deslustres y pequeñas manchas. Use sólo un limpiador líquido libre de

material abrasivo y frote en la dirección de las líneas del cepillo con una esponja suave y húmeda. No utilice cera para electrodomésticos sobre el acero inoxidable.

No limpie el refrigerador con un paño sucio para platos o con una toalla mojada. Estos pueden dejar residuos y pueden erosionar la pintura. No use almohadillas de restregar, limpiadores en polvo, blanqueadores o limpiadores que contengan blanqueadores ya que estos productos pueden raspar y debilitar el acabado de pintura.

Limpieza interior

Para ayudar a evitar olores, deje una caja abierta de bicarbonato en los compartimientos de alimentos frescos y en el congelador.

Desconecte el refrigerador antes de limpiarlo.

Si esto no es práctico, escurra la humedad excesiva con una esponja o paño al limpiar alrededor de los interruptores, luces o controles.

Use una solución de agua tibia y bicarbonato—una cucharada (15 ml) de bicarbonato para un cuarto (1 litro) de agua. Esto limpia y neutraliza los olores. Enjuague y seque.

No limpie con productos que contengan detergente, lejía o amoníaco. Pueden dañar el refrigerador.

Después de limpiar las juntas de la puerta, aplique una fina capa de vaselina a las juntas sobre el lado de la bisagra. Esto ayuda a que las juntas no se peguen y que no se deformen. No utilice polvos limpiadores u otros limpiadores abrasivos.

⚠ PRECAUCIÓN

No limpie estantes de vidrio ni tapas con agua caliente cuando estén fríos. Los estantes de vidrio y las tapas se pueden romper si son expuestos a cambios de temperatura repentinos o impactos tales como sacudones o caídas. El vidrio templado está diseñado para destruirse en pequeñas piezas en caso de rotura.

No lave ninguna parte plástica del refrigerador en la lavadora de platos.

Condensador

Dependiendo del modelo, el condensador se encontrará ubicado cerca del compresor o detrás de la pared trasera. Si el condensador se encuentra cerca del compresor, no hay necesidad de una limpieza de rutina del condensador en ambientes de operación de hogares normales. Sin embargo, en ambientes que puedan ser particularmente polvorientos o grasosos, el condensador debe limpiarse periódicamente para una operación eficiente del refrigerador.

Cómo limpiar el condensador:

Pásele un trapo o la aspiradora para deshacerse del polvo.

⚠ ADVERTENCIA

A fin de reducir el riesgo de muerte o de descargas eléctricas, se deberán seguir estas instrucciones:

- **Desenchufe el refrigerador antes de retirar cualquier panel.**
- **No genere contacto ni dañe cualquier cable mientras el panel es retirado.**
- **Reemplace todas las piezas y paneles antes de volver a enchufar el refrigerador.**

Cuidado y limpieza

Cómo Mover el Refrigerador

Tenga cuidado al mover el refrigerador lejos de la pared. Todos los tipos de cubiertas de piso se pueden dañar, particularmente las cubiertas acojinadas y aquellas con superficies con diseños en relieve.

Gire las patas niveladoras en cada esquina del refrigerador en contra de las agujas del reloj, hasta que las mismas apoyen el refrigerador. Hale el refrigerador en línea recta y regréselo a su posición empujándolo de la misma forma.

Mover el refrigerador en una dirección lateral puede resultar en daños a la superficie del piso o al refrigerador.

⚠ ADVERTENCIA  **RIESGO DE DESCARGA ELÉCTRICA**

Cuando empuje de nuevo el refrigerador, asegúrese de no pisar el cable eléctrico o la línea de suministro a la máquina de hielos (en algunos modelos).

Luego de volver a ubicar el refrigerador en su posición, gire las patas en dirección de las agujas del reloj, hasta que las patas vuelvan a sostener el peso del refrigerador.

Cómo prepararse para las vacaciones

Para una largas vacaciones o ausencias, retire los alimentos y desconecte el refrigerador. Gire el disco de control de la temperatura hacia la posición Off (apagado), y limpie el interior con una solución de una cucharada de bicarbonato (15 ml) y un cuarto (1 litro) de agua. Deje las puertas abiertas.

Configure el interruptor de corriente de la máquina de hielos a la posición OFF (Apagado) y cierre el suministro de agua que abastece el refrigerador.

Si la temperatura puede caer por debajo del punto de congelamiento, haga que una persona calificada drene el sistema del suministro de agua (en algunos modelos) para evitar serios daños a la propiedad causados por inundaciones.

Cómo prepararse para trasladarse

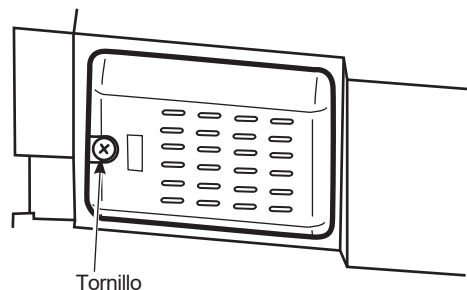
Asegure todos los artículos sueltos como la rejilla, los estantes y cajones pegándolos con cinta en su lugar para evitar daños. A fin de evitar la apertura de puertas durante el movimiento, asegure las mismas al cuerpo con cinta.

Asegúrese de que el refrigerador permanezca en una posición vertical durante el traslado.

Cómo reemplazar la bombilla

Girar el control a la posición OFF (apagado) no elimina la corriente en el circuito de luces.

1. Desconecte el refrigerador.
2. Remove the top shelf (if necessary).
3. La lámpara de luz está ubicada detrás de un lente de luz en el techo de la sección del refrigerador. Retire los lentes de luz, quitando el único tornillo presente con un destornillador de cabeza Phillips.
4. Reemplácela con una bombilla de electrodomésticos del mismo o de inferior voltaje.
5. Reemplace los lentes de luz.
6. Conecte de nuevo el refrigerador.



Installation para la Instalación

Refrigerador Modelos GTE21 y GIE21

¿Preguntas? Llame a 800.GE.CARES (800.432.2737) o visite nuestro sitio web en: GEAppliances.com
En Canadá, llame al 1.800.561.3344 o visite nuestro Sitio Web en: GEAppliances.ca

ANTES DE EMPEZAR

Lea estas instrucciones completa y cuidadosamente.

- **IMPORTANTE** – Guarde estas instrucciones para uso del inspector local.
- **IMPORTANTE** – Observe todos los códigos y órdenes de ley.
- **Note to Installer** – Asegúrese de dejar estas instrucciones con el consumidor.
- **Note to Consumer** – Conserve estas instrucciones para referencia futura.
- **Skill level** – La instalación de este aparato requiere de destrezas mecánicas básicas.
- **Completion time**—Instalación del refrigerador
15 minutos
- La instalación apropiada es la responsabilidad del instalador.
- La falla del producto debido a una instalación inadecuada no está cubierta por la garantía.

SUMINISTRO DE AGUA HACIA LA MÁQUINA DE HIELOS (en algunos modelos)

Si el refrigerador cuenta con una máquina de hacer hielo, deberá ser conectada al suministro de agua fría. Un kit de suministro de agua de GE Appliances (que contenga tubería, válvula de cierre, uniones e instrucciones) está disponible por un costo adicional a nivel minorista, visitando nuestro sitio web en GEAppliances.com (en Canadá en geappliances.ca) o en Parts and Accessories (Piezas y Accesorios), 1.800.661.1616.

UBICACIÓN DEL REFRIGERADOR

- No instale el refrigerador donde las temperaturas sean inferiores a 55°F (12.7°C), ya que no se mantendrá en funcionamiento el tiempo suficiente para conservar las temperaturas adecuadas.
- No instale el refrigerador donde la temperatura sea superior a los 100°F (37°C), ya que no funcionará de forma correcta.
- No instale el refrigerador en una ubicación expuesta al agua (lluvia, etc.) o en contacto directo con la luz solar.
- Instale el refrigerador en un piso lo suficientemente fuerte como para soportarlo completamente cargado.

ÁREA

Permita el siguiente espacio para una fácil instalación, apropiada circulación del aire y conexiones de plomería y eléctricas.

- Costados 1/8" (3 mm)
- Arriba 1/8" (3 mm)
- Atrás 1" (25 mm)

Si el refrigerador será instalado junto a una pared del lado de la bisagra, deje un espacio de apertura de la puerta de 5/16" (8 mm).

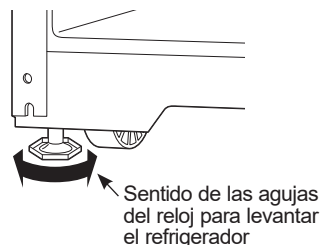
RUEDAS Y PATAS NIVELADORAS

Las patas niveladoras cerca de cada esquina frontal del refrigerador son ajustables. Las mismas posicionan de manera firme el refrigerador y evitan que se mueva cuando las puertas son abiertas. Las patas niveladoras se deberían ajustar de modo que el frente del refrigerador sea elevado lo suficiente como para que las puertas se cierren con facilidad al ser abiertas hasta la mitad de sus recorridos.

Gire las patas niveladoras en dirección de las agujas del reloj para levantar el refrigerador, y en contra de las agujas del reloj para bajarlo.

Las ruedas junto a las patas niveladoras le permiten alejar el refrigerador de la pared para su limpieza.

Gire las patas en contra de las agujas del reloj, hasta que el peso del refrigerador sea transferido de las mismas a las ruedas. Luego de volver a ubicar el refrigerador en su posición, gire las patas en dirección de las agujas del reloj, hasta que las mismas vuelvan a sostener el peso del refrigerador.



Instrucciones para la instalación

INSTALACIÓN DE LA TUBERÍA DEL AGUA

ANTES DE INICIAR

Los kits de cobre recomendados para el suministro de agua son WX8X2, WX8X3 o WX8X4, dependiendo de la cantidad de tubería necesaria. Las tuberías plásticas aprobadas para el suministro de agua son las tuberías para el refrigerador SmartConnect™ (WX08X10002, WX08X10006, WX08X10015 y WX08X10025).

Al conectar su refrigerador a un Sistema de Agua de Ósmosis Inversa de GE Appliances, la única instalación aprobada es con un kit de Ósmosis Inversa de GE Appliances. Para otros sistemas de agua de ósmosis inversa, siga las instrucciones del fabricante.

Si la alimentación de agua a su refrigerador proviene de un sistema de filtración de agua de ósmosis inversa Y el refrigerador también cuenta con un filtro de agua, use el tapón de derivación del filtro del refrigerador. El uso conjunto del cartucho de filtración de agua del refrigerador con el filtro de RO (ósmosis inversa) pudiera resultar en la producción de cubos de hielo huecos y en un caudal de agua más lento del dispensador de agua.

Esta instalación de la tubería del agua no está garantizada por el fabricante del refrigerador o de la máquina de hielos. Siga estas instrucciones cuidadosamente para minimizar el riesgo de un daño costoso debido al agua.

El martilleo del agua (agua golpeando contra la tubería) en la tubería de la casa puede causar daños a las partes del refrigerador y conducir a un goteo o inundación por el agua. Llame a un plomero calificado para corregir el martilleo del agua antes de instalar la tubería del agua al refrigerador. Para evitar quemaduras y daños con el producto, no conecte la tubería del agua a la tubería del agua caliente.

Si usa el refrigerador antes de conectar la tubería, asegúrese de que el interruptor de corriente de la máquina de hielos esté en la posición OFF (apagado).

No instale la tubería de la máquina de hielos en lugares donde la temperatura caiga por debajo del nivel de congelamiento.

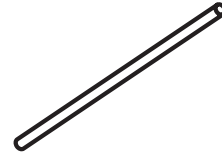
Al usar cualquier aparato eléctrico (como un taladro eléctrico) durante la instalación, asegúrese de que el aparato esté aislado o conectado de manera que evite el peligro de una descarga eléctrica, o se opere por baterías.

Todas las instalaciones se deben realizar según los requisitos del código local de plomería.

⚠ ADVERTENCIA

Conecte al suministro de agua potable únicamente.

QUÉ NECESITA



- Kit de tubería de cobre para el refrigerador o SmartConnect™, 1/4" de diámetro externo para conectar el refrigerador al suministro de agua. Si usa cobre, asegúrese de que ambos extremos de la tubería se corten uniformemente.

Para determinar la cantidad de tubería que necesita: mida la distancia desde la válvula del agua en la parte posterior del refrigerador hasta el tubo de suministro de agua. Luego agregue 8" (2,4 m). Asegúrese de que haya suficiente tubería adicional (unos 8" [2,4 m] enrollado en tres vueltas de unas 10" [25 cm] de diámetro) para permitir que el refrigerador se pueda mover de la pared después de la instalación.

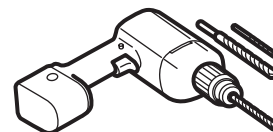
Los kits de tubería para el refrigerador SmartConnect™ están disponibles en las siguientes longitudes:

2' (.6 m)	– WX08X10002
8' (2.4 m)	– WX08X10006
15' (4.6 m)	– WX08X10015
25' (7.6 m)	– WX08X10025

Asegúrese de que el kit que haya seleccionado permita al menos 8" (2,4 m) como se describe arriba.

NOTA: La única tubería de plástico aprobada de GE Appliances es la que viene provista con los kits de tubería para el refrigerador SmartConnect™. No use ninguna otra tubería plástica para el suministro del agua ya que la tubería está bajo presión todo el tiempo. Ciertos tipos de plástico se fracturarán o se romperán con el tiempo y causarán daños en su casa debido al agua.

- Un kit de suministro de agua de GE Appliances (contiene tubería, válvula de cierre y accesorios enumerados abajo) está disponible a un costo adicional en su tienda o por medio de Partes y Accesorios, 1.800.661.1616.
- Un suministro de agua fría. La presión del agua debe estar entre 20 y 120 p.s.i. (138-827 kilopascals) en modelos sin filtro de agua y entre 40 y 120 p.s.i. (275-827 kilopascals) en modelos con filtro de agua.



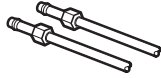
- Taladro eléctrico.
- Llave de 1/2" o ajustable.
- Destornillador plano y de estrella.

Instrucciones para la instalación

INSTALACIÓN DE LA TUBERÍA DEL AGUA (Cont.)

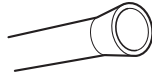
QUÉ NECESITA (Cont.)

- Dos tuercas de compresión de 1/4² de diámetro exterior y 2 férulas (mangas)—para conectar la tubería de cobre a la válvula de cierre y la válvula del agua del refrigerador.

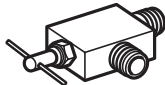


O BIEN

- Si está usando un kit de tubería para el refrigerador SmartConnect™, los accesorios necesarios ya vienen preinstalados en la tubería.



- Si su tubería existente de cobre para el agua tiene un accesorio con vuelo en el extremo, necesitará un adaptador (disponible en las tiendas de suministros de plomería) para conectar la línea del agua al refrigerador O BIEN, podrá cortar el accesorio con vuelo con un cortador de tubos y luego usar un accesorio de compresión. No corte el extremo formado de la tubería para el refrigerador SmartConnect.



- Válvula de cierre para conectar a la línea del agua fría. La válvula de cierre deberá tener una entrada de agua con un diámetro interno mínimo de 5/32² en el punto de conexión a la TUBERÍA DEL AGUA FRÍA. Las válvulas de apagado tipo silla vienen incluidas en muchos kits de suministro de agua. Antes de comprar, asegúrese de que una válvula tipo silla cumple con los códigos de plomería en su localidad.

Instale la válvula de cierre en la tubería del agua de consumo más frecuentemente utilizada.

1 CIERRE EL SUMINISTRO PRINCIPAL DE AGUA

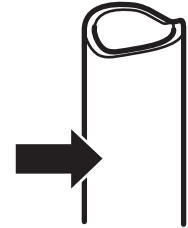
Abra el grifo más cercano por suficiente tiempo para limpiar la tubería del agua.

⚠ ADVERTENCIA

A fin de reducir el riesgo de descarga eléctrica o lesión durante la instalación, primero deberá desenchufar el refrigerador antes de proceder.

2 SELECCIONE LA UBICACIÓN DE LA VÁLVULA

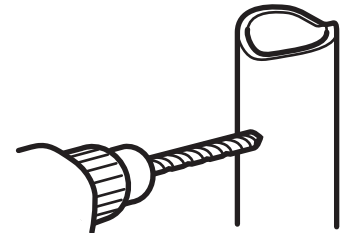
Seleccione una ubicación para la válvula que sea fácilmente accesible. Es mejor conectarla en el costado de una tubería vertical de agua. Cuando sea necesario conectarla en una tubería horizontal de agua, haga la conexión en la parte superior o al lado, en vez de hacerlo en la parte de abajo, para evitar retirar cualquier sedimento de la tubería del agua.



3 PERFORE EL ORIFICIO PARA LA VÁLVULA

Perfore un orificio de 1/4² en la tubería del agua (incluso si está usando una válvula auto perforadora), usando una broca afilada. Retire cualquier sobrante que resulte de perforar el orificio en la tubería.

Tenga cuidado de no permitir que se filtre agua hacia el taladro. No perforar un orificio de 1/4² puede resultar en menor producción de hielo o cubos más pequeños.



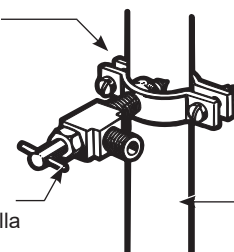
4 INSTALE LA VÁLVULA DE CIERRE

Una la válvula de cierre a la tubería de agua fría con la abrazadera para el tubo.

NOTA: Se deberán seguir los Códigos 248CMR de Plomería para el Estado de Massachusetts. Las válvulas tipo silla son ilegales y su uso no está permitido en Massachusetts. Consulte con un plomero licenciado.

Abrazadera para el tubo

Válvula de cierre tipo silla



Tubería vertical de agua fría

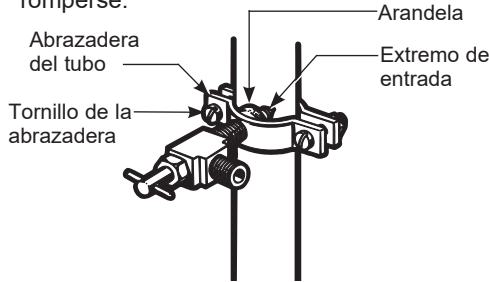
Instrucciones para la instalación

INSTALACIÓN DE LA TUBERÍA DEL AGUA (cont.)

5 APRIETE LA ABRAZADERA DEL TUBO

Apriete los tornillos de la abrazadera hasta que la arandela sellante empiece a hincharse.

NOTA: No apriete demasiado la tubería ya que podría romperse.



NOTA: Se deberán seguir los Códigos 248CMR de Plomería para el Estado de Massachusetts. Las válvulas tipo silla son ilegales y su uso no está permitido en Massachusetts. Consulte con un plomero licenciado.

8 LAVE LA TUBERÍA

Abra el suministro principal de agua y lave la tubería hasta que el agua esté limpia.

Cierre el agua en la válvula después de que un cuarto (1 litro) de agua se haya eliminado por la tubería.



6 DIRIJA LA TUBERÍA

Dirija la tubería entre la línea del agua fría y el refrigerador.

Dirija la tubería a través de un orificio perforado en la pared o en el piso (detrás del refrigerador o del gabinete de la base adyacente) lo más cerca posible a la pared.

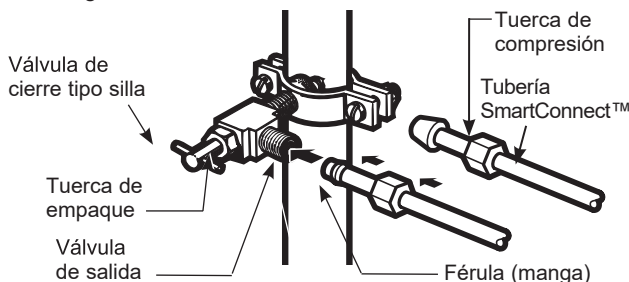
NOTA: Asegúrese de que haya suficiente tubería adicional (unos 8' [244 cm] enrollada en tres vueltas de alrededor de 10" [25 cm] de diámetro) para permitir que el refrigerador se pueda mover de la pared después de la instalación.

7 CONCTE LA TUBERÍA A LA VÁLVULA

Coloque la tuerca de compresión y férula para la tubería de cobre (manga) en el extremo de la tubería y conéctela a la válvula de cierre.

Asegúrese de que la tubería esté completamente insertada en la válvula. Apriete la tuerca de compresión firmemente.

Para tubería de plástico de un kit de tubería para el refrigerador SmartConnect™, inserte el extremo moldeado de la tubería en la válvula de cierre y apriete la tuerca de compresión hasta que esté firmemente apretada a mano, luego apriete otro giro con una llave. Apretar demasiado puede causar fugas.



9 CONCTE LA TUBERÍA AL REFRIGERADOR

NOTAS:

- Antes de hacer la conexión al refrigerador, asegúrese de que el cable de corriente del refrigerador no esté conectado en el tomacorriente de la pared.
- Si su refrigerador no tiene un filtro de agua, recomendamos la instalación de uno si su suministro de agua tiene arena o partículas que podrían obstruir la malla de la válvula de agua del refrigerador. Instálelo en la tubería del agua cerca al refrigerador. Si usa un kit de tubería para el refrigerador SmartConnect™, necesitará un tubo adicional (WX08X10002) para conectar el filtro. No corte la tubería plástica para instalar el filtro.

⚠ ADVERTENCIA

A fin de reducir el riesgo de muerte o de descargas eléctricas, se deberán seguir estas instrucciones:

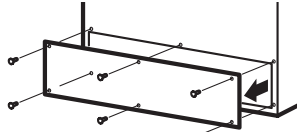
- **Desenchufe el refrigerador antes de retirar cualquier panel.**
- **No dañe ningún cable mientras el panel es retirado.**
- **Reemplace todas las piezas y paneles antes de volver a enchufar el refrigerador.**

Instrucciones para la instalación

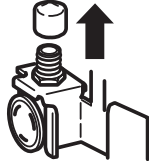
INSTALACIÓN DE LA TUBERÍA DEL AGUA (cont.)

9 CONCTE LA TUBERÍA AL REFRIGERADOR (cont.)

Si su refrigerador cuenta con una tapa de acceso, retire la misma.



Retire la tapa flexible de plástico de la válvula del agua (conexión del refrigerador).



Coloque la tuerca de compresión y la férula (manga) en el extremo de la tubería como se muestra. En el kit de tubería para el refrigerador SmartConnect, las tuercas ya vienen armadas con la tubería.

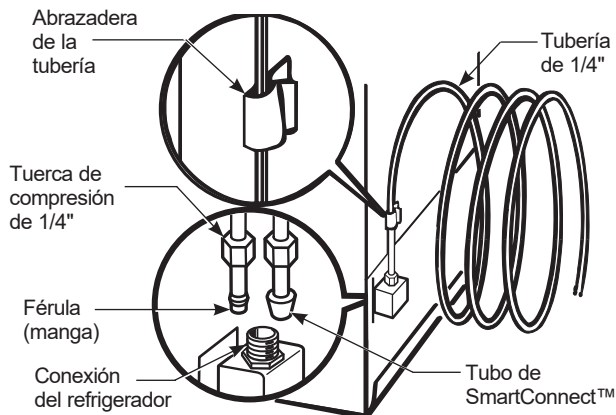
Inserte el extremo de la tubería en la conexión de la válvula del agua lo más que se pueda. Mientras sostiene la tubería, apriete el accesorio.

Para tubería de plástico de un kit de tubería para el refrigerador SmartConnect, inserte el extremo moldeado de la tubería en la conexión del refrigerador y apriete la tuerca de compresión hasta que esté firmemente apretada a mano, luego apriete otra vuelta con una llave. Apretar demasiado puede causar fugas.

Una la tubería a la abrazadera provista para sostenerla en una posición vertical. Quizás necesite apalancar la abrazadera.

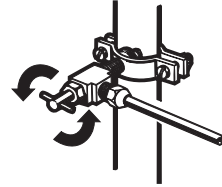
⚠ ADVERTENCIA PELIGRO DE DESCARGA ELÉCTRICA

Adhiera la abrazadera de la tubería usando el agujero existente únicamente. NO perforo el refrigerador.

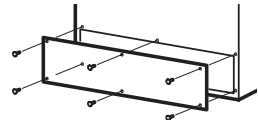


10 ABRA LA LLABE DEL AGUA EN LA VALVULA DE CIERRE

Apriete cualquier conexión que pueda presentar fugas.

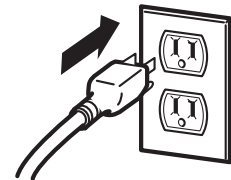


Si su refrigerador cuenta con una tapa de acceso, vuelva a colocar la misma.

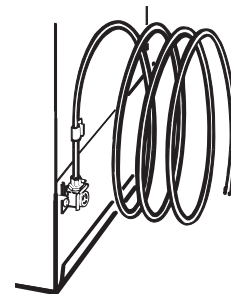


11 CONECTE EL REFRIGERADOR

Enchufe el refrigerador.

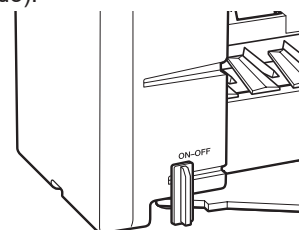


Acomode la bobina de la tubería de modo que no vibre contra la parte trasera del refrigerador ni contra la pared. Vuelva a colocar el refrigerador contra la pared.



12 INICIE LA MÁQUINA DE HIELOS

Configure el interruptor de corriente de la máquina de hielos en la posición ON (Encendido). La máquina de hielos no comenzará a funcionar hasta que alcance su temperatura de funcionamiento de 15°F (- 9°C) o menos. Luego comenzará a funcionar de forma automática si el interruptor de corriente de la máquina de hilos está en la posición ON (Encendido).



Instrucciones para la instalación

INSTRUCCIONES PARA LA INSTALACIÓN DE LA MÁQUINA DE HIELOS

ANTES DE EMPEZAR

Lea cada paso completamente antes de proceder.

⚠ ADVERTENCIA Desconecte el refrigerador. Para eliminar el peligro de una descarga eléctrica durante la instalación, debe desconectar el refrigerador de su tomacorriente.



2 VUELVA A POSICIONAR LA REPISA DEL FREEZER

Asegúrese de que la repisa del freezer esté en la posición más baja.

3 PREPARACIÓN PARA LA INSTALACIÓN

Para la unidad sin la máquina de hielos instalada de fábrica, hay una etiqueta con instrucciones en la parte trasera de la unidad donde se indica qué método de instalación se debe usar. Siga atentamente el manual de instalación de la máquina de hielos, incluido con el kit de la máquina de hielos para completar la instalación de la misma.

HERRAMIENTAS NECESARIAS



Destornillador plano y Phillips



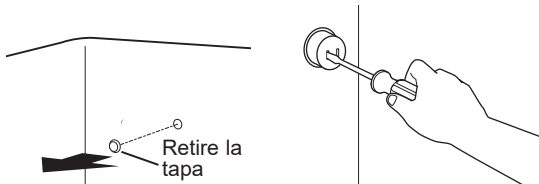
Alicates



Cuchillo afilado

1 RETIRE LA TAPA BLANCA Y LA CUBIERTA DEL ENCHUFE

- Retire la cubierta del enchufe con un destornillador de pala plana ubicada en la pared izquierda o la pared posterior del congelador, cerca de la parte superior.
- Retire y deseche la tapa blanca de la esquina superior izquierda de la pared del congelador.



Instrucciones para la instalación

CÓMO INVERTIR EL VAIVÉN DE LA PUERTA

⚠ ADVERTENCIA

Siga todos los pasos al invertir la dirección de apertura de la puerta. Si no se siguen estas instrucciones, dejando piezas sin uso o ajustando tornillos en exceso, esto podrá hacer que la puerta se caiga y producir lesiones y daños sobre la propiedad.

NOTAS IMPORTANTES

Al invertir el vaivén de la puerta:

- Lea las instrucciones completamente antes de empezar.
- Maneje las partes con cuidado para evitar raspar la pintura.
- Ponga los tornillos con su parte correspondiente para evitar usarlas en el lugar equivocado.
- Disponga de una superficie de trabajo que no se raspe para las puertas.

IMPORTANTE: Una vez que empiece, no mueva el gabinete hasta que haya completado el proceso de invertir el vaivén de la puerta.

Estas instrucciones son para cambiar las bisagras del lado derecho al izquierdo, si alguna vez desea cambiar las bisagras al lado derecho nuevamente, siga las mismas instrucciones e invierta toda las referencias hacia la izquierda y derecha.

Desconecte el refrigerador de su toma corriente eléctrico.

NOTA: No permita que ninguna de las puertas caiga al piso. Esto podría dañar la traba de la puerta.

⚠ PRECAUCIÓN

Riesgo al Levantar

La Puerta de Comidas Frescas y del Freezer son pesadas. Use ambas manos para asegurar las puertas antes de levantarlas.

HERRAMIENTAS REQUERIDAS



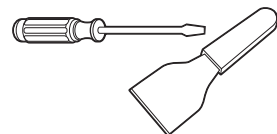
Destornillador de estrella



Llave de cubo y trinquete de 5/16"



Cinta de enmascarar



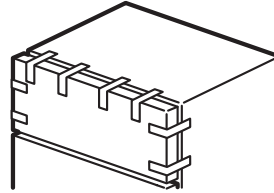
Cuchillo para masilla (espátula) o destornillador delgado



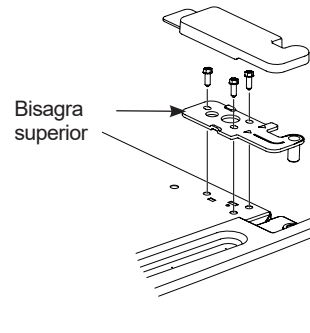
Llave Allen (Modelos con Manija de Acero Inoxidable)

1 RETIRE LA PUERTA DEL CONGELADOR

1. Retire toda la comida del cobertor interno del horno.
2. Pegue la puerta cerrada con cinta de enmascarar.

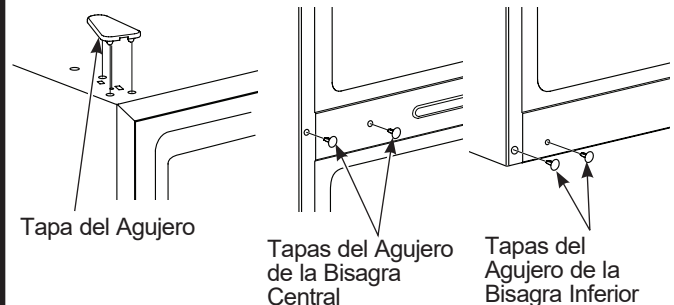


3. Retire la tapa de la bisagra que están en la parte superior de la puerta con un destornillador de punta fina.
4. Quite los tres tornillos con una llave de cubo y trinquete de 5/16", luego levante la bisagra directo hacia arriba para liberar el perno de la bisagra del casquillo en la parte superior de la puerta.



5. Retire la cinta e incline la puerta hacia fuera del gabinete. Levántela del perno de la bisagra del centro.
6. Retire las tapas de los agujeros con una espátula del lado opuesto de las tres bisagras.

NOTA: Las tapas de los agujeros de la bisagra central y los agujeros de la bisagra inferior son diferentes. Asegúrese de mantenerlos separados.



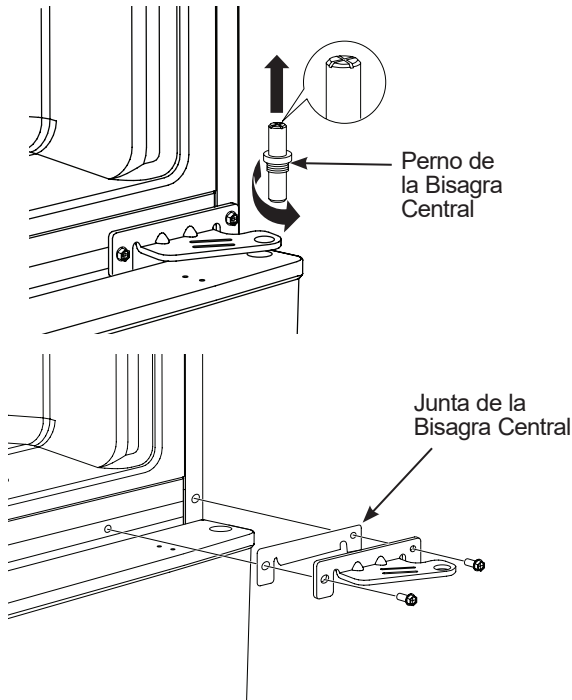
7. Ponga la puerta en una superficie que no se raye con la parte exterior hacia arriba.

Instrucciones para la instalación

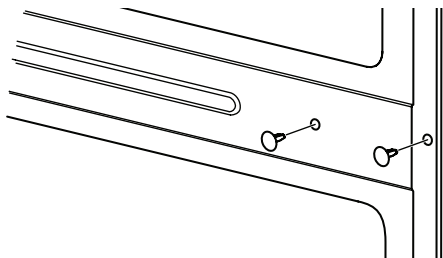
CÓMO INVERTIR EL VAIVÉN DE LA PUERTA (Cont.)

2 RETIRE LA PUERTA DEL REFRIGERADOR

1. Retire toda la comida del cobertor interno del horno.
2. Cierre la puerta y péguela con cinta de enmascarar.
3. Retire la clavija de la bisagra central usando un destornillador con cabeza Phillips.
4. Quite la bisagra central removiendo los dos tornillos de bisagra con una llave de cubo y trinquete de 5/16". Conserve la bisagra central, el perno de la bisagra, los tornillos y la junta de la bisagra central.

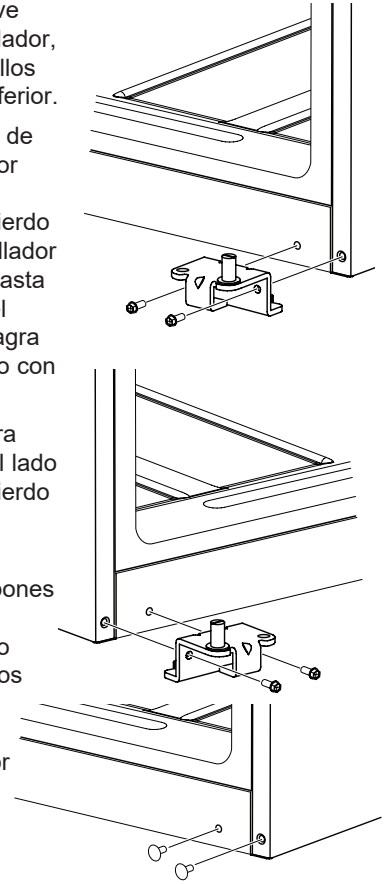


5. Retire la cinta e incline la puerta lejos del gabinete. Levante la puerta para liberar el casquillo inferior del perno en el soporte de la bisagra inferior.
6. Ponga la puerta hacia arriba en una superficie que no raye.
7. Instale los 2 enchufes de los agujeros del lado opuesto del gabinete a los agujeros del tornillo que está vacío por el retiro de la bisagra central.



3 TRANSFIERA LA BISAGRA CENTRAL A LA IZQUIERDA

1. Usando una llave tubo y destornillador, retire los 2 tornillos de la bisagra inferior.
2. Mueva el perno de la bisagra inferior desde el lado derecho al izquierdo con un destornillador de punta fina, hasta que el borde del perno de la bisagra esté en contacto con la bisagra.
3. Mueva la bisagra inferior desde el lado derecho al izquierdo y ajuste los 2 tornillos.
4. Instale los 2 tapones de los agujeros del lado opuesto del gabinete a los agujeros del tornillo que están vacíos por el retiro de la bisagra inferior.

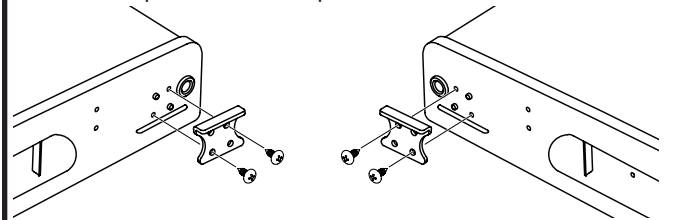


▲ ADVERTENCIA

Siga todos los pasos al invertir la dirección de apertura de la puerta. Si no se siguen estas instrucciones, dejando piezas sin uso o ajustando tornillos en exceso, esto podrá hacer que la puerta se caiga y producir lesiones y daños sobre la propiedad.

4 TRANSFIERA LA TRABA DE LA PUERTA A LA IZQUIERDA

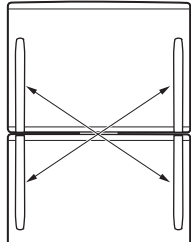
1. Tanto en las puertas del refrigerador como en las del freezer, retire los tornillos de la traba de la puerta de la derecha con un destornillador Phillips.
2. Instale la traba de la puerta sobre la parte izquierda de cada puerta.



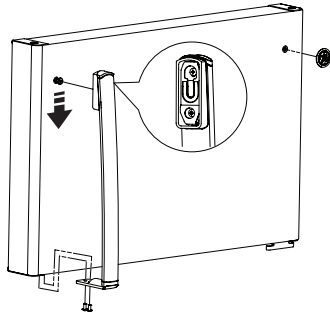
Instrucciones para la instalación

CÓMO INVERTIR EL VAIVÉN DE LA PUERTA (Cont.)

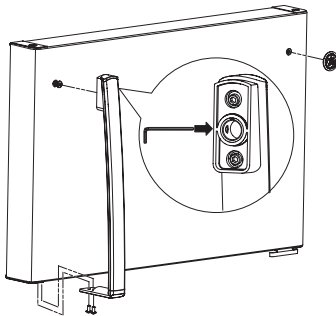
3 CÓMO INVERTIR LAS MANIJAS DE LA PUERTA – CAMBIE LA MANIJA DE LA PUERTA DEL CONGELADOR AL LADO DERECHO DE LA PUERTA DEL REFRIGERADOR



1. Quite los dos tornillos que sujetan el extremo inferior de la manija con un destornillador Phillips y retire la insignia de GE Appliances.



2. Para manijas de plástico: Empuje la manija hacia abajo y afuera del sujetador de la puerta.

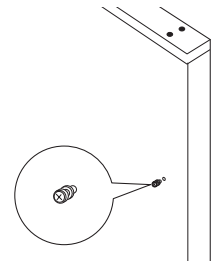


Para manijas de acero inoxidable: Afloje el conjunto de tornillos con la llave de 1/8" y retire la manija.

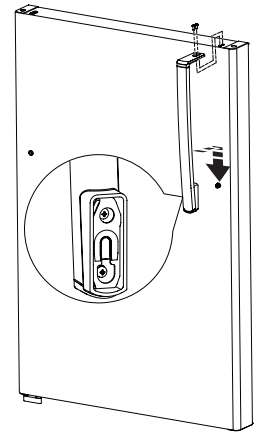
3. Retire el sujetador desde la superficie de la puerta del freezer, y cubra el Nuevo agujero vacío con la Insignia de GE Appliances. (Para una unidad nueva, la Insignia de GE Appliances puede ser encontrada en el kit de su manija. Si necesita una nueva insignia, llame al 800. GE.CARES (800.432.2737) (en Canadá, llame al 800.561.3344).

3 CÓMO INVERTIR LAS MANIJAS DE LA PUERTA – CAMBIE LA MANIJA DE LA PUERTA DEL CONGELADOR AL LADO DERECHO DE LA PUERTA DEL REFRIGERADOR (Cont.)

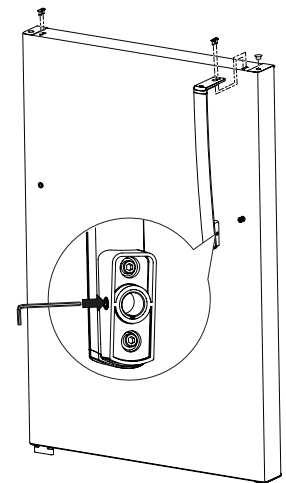
4. Retire el tapón de la superficie del lado derecho de la puerta del refrigerador e inserte el sujetador con un destornillador Phillips.



5. Para manijas de plástico: Ajuste la manija a la puerta de comidas frescas sobre el suspensor y deslice la misma hacia abajo para que quede bloqueada con los tornillos en la parte superior de la manija.



Para manijas de acero inoxidable: Adhiera la manija a la puerta de comidas frescas con tornillos en la parte superior de la manija. Use la llave allen de 1/8" para ajustar el tornillo correspondiente en la parte inferior de la manija.



NOTA: No ajuste de más.

Instrucciones para la instalación

CÓMO INVERTIR EL VAIVÉN DE LA PUERTA (Cont.)

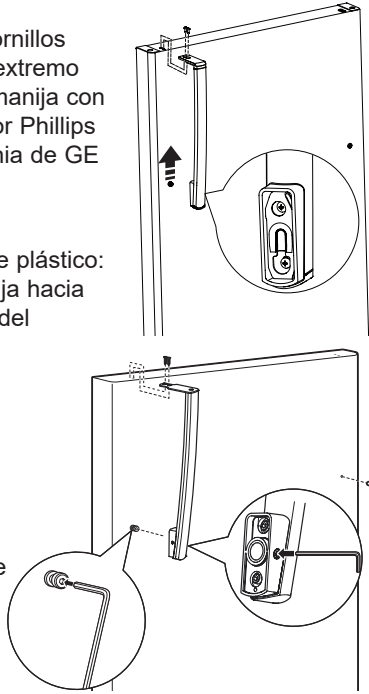
4 CÓMO INVERTIR LAS MANIJAS DE LA PUERTA – CAMBIE LA MANIJA DE LA PUERTA DEL REFRIGERADOR AL LADO DERECHO DE LA PUERTA DEL CONGELADOR

1. Quite los dos tornillos que sujetan el extremo superior de la manija con un destornillador Phillips y retire la insignia de GE Appliances.

2. Para manijas de plástico: Empuje la manija hacia arriba y afuera del sujetador de la puerta.

Para manijas de acero inoxidable: Afloje el tornillo correspondiente con la llave de 1/8" y retire la manija.

3. Retire el sujetador desde la superficie de la puerta del refrigerador, y cubra el nuevo agujero vacío con el tapón del lado opuesto.



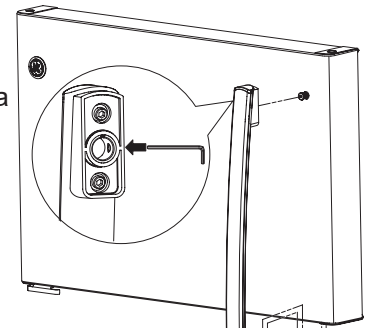
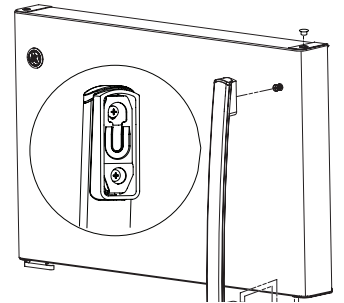
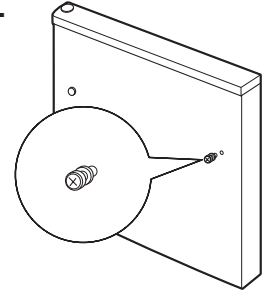
4 CÓMO INVERTIR LAS MANIJAS DE LA PUERTA – CAMBIE LA MANIJA DE LA PUERTA DEL REFRIGERADOR AL LADO DERECHO DE LA PUERTA DEL CONGELADOR (Cont.)

4. Inserte el sujetador en la superficie del lado derecho de la puerta del freezer con un destornillador Phillips.

5. **Para manijas de plástico:** Ajuste la manija a la puerta del freezer sobre el suspensor y deslice la misma hacia arriba para que quede bloqueada con los tornillos en la parte inferior de la manija.

Para manijas de acero inoxidable: Ajuste la manija a la puerta del freezer con tornillos en la parte inferior de las manijas. Use una llave allen de 1/8" para ajustar el tornillo correspondiente en la parte superior de la manija.

NOTA: No ajuste de más.

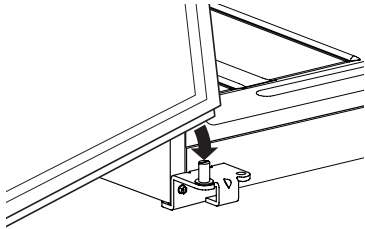


Instrucciones para la instalación

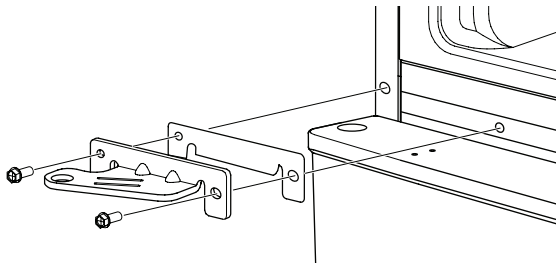
REVERSING THE DOOR SWING (Cont.)

5 VUELVA A COLGAR LA PUERTA DEL REFRIGERADOR

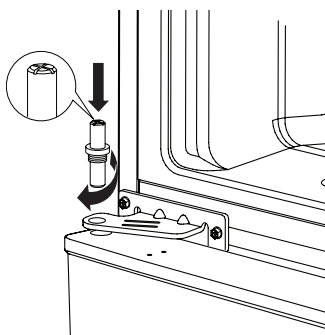
1. Baje la puerta del refrigerador al perno de la bisagra inferior.



2. Mientras sostiene la puerta de forma segura, alinee la ficha en la puerta con el agujero en la bisagra central. Ajuste la bisagra central y la junta con dos tornillos con una ficha de 5/16" y trinquete.

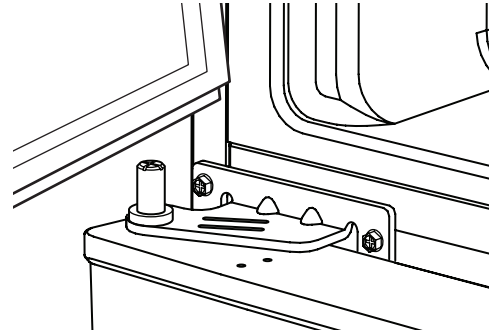


3. Controle la alineación entre la ficha de la puerta y el agujero de la bisagra central. Inserte el perno de la bisagra en la bisagra central y ajuste con un destornillador Phillips, hasta que el borde del perno de la bisagra entre en contacto con la bisagra central.

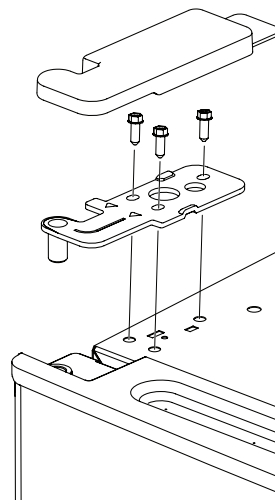


8 VUELVA A COLGAR LA PUERTA DEL CONGELADOR

1. Baje la puerta del congelador al perno de la bisagra central.



2. Coloque la bisagra superior izquierda de modo que el perno coincida con la ficha de la puerta. (La bisagra superior izquierda y la tapa se pueden encontrar dentro del producto. Llame al Servicio de Ge al 800.GE.CARES (800.432.2737 o en Canadá llame al 1.800.561.3344 / 1.800.661.1616 en caso de faltar piezas.) Descanse la puerta en el costado de la manija y asegúrese de que la puerta esté recta y el espacio entre las puertas sea uniforme incluso en el frente. Mientras sostiene la puerta en su lugar, apriete los tornillos de la bisagra superior. No ajuste en exceso estos tornillos. Presione los mismos hasta que queden ajustados, y luego dé a los tornillos medio giro adicional.





3. Presione la tapa de la bisagra superior izquierda sobre la bisagra.

Sonidos normales de operación

Los refrigeradores más nuevos producen sonidos diferentes a los modelos más antiguos. Los refrigeradores modernos tienen más funciones y usan tecnología más reciente.

¿Usted escucha lo que yo escucho? Estos sonidos son normales.

<p style="text-align: center;">HUMMM... WHOOSH...</p> <ul style="list-style-type: none"> ■ El nuevo compresor de alta eficiencia puede funcionar más rápido y durar más que el de su refrigerador anterior y puede escuchar un zumbido de tono alto o un sonido pulsante mientras opera. ■ Puede escuchar un sonido de soplido cuando las puertas se cierran. Esto se debe a que la presión se está estabilizando dentro del refrigerador. 	<p style="text-align: center;">WHIR!</p>  <ul style="list-style-type: none"> ■ Puede escuchar los ventiladores moviéndose a gran velocidad. Esto pasa cuando el refrigerador se conecta por primera vez, cuando las puertas se abren frecuentemente o cuando se guarda gran cantidad de alimentos en el refrigerador o en los compartimientos del congelador. Los ventiladores están ayudando a mantener las temperaturas correctas.
<p style="text-align: center;">CHASQUIDOS, ESTALLIDOS, CRUJIDO, GORJEOS</p> <ul style="list-style-type: none"> ■ Puede escuchar sonidos como de crujido o estallidos cuando el refrigerador se conecta por primera vez. Esto pasa a medida que el refrigerador se enfría hasta la temperatura correcta. ■ El compresor puede causar un chasquido o un gorjeo cuando intenta volver a arrancar (esto puede tomar hasta 5 minutos). ■ Expansión y contracción de las bobinas durante o después del ciclo de descongelación puede causar sonidos como de crujido o estallidos. ■ En modelos con máquina de hielos, después de completar un ciclo de hacer hielo, se pueden escuchar los cubos de hielo cuando caen a la bandeja de hielos. ■ En los modelos con dispensador, mientras el agua se dispensa, es posible que escuche las tuberías del agua moverse en el momento inicial de dispensar y después de liberar el botón dispensador. 	<p style="text-align: center;">SONIDOS DE AGUA</p>  <ul style="list-style-type: none"> ■ El fluido del refrigerante a través de las bobinas puede producir un sonido de borboteo como de agua hirviendo. ■ El agua que cae en el calentador de descongelación puede causar un chisporroteo, estallido o zumbido durante el ciclo de descongelación. ■ Un ruido de agua cayendo se puede escuchar durante el ciclo de descongelación a medida que el hielo se derrite del evaporador y fluye hacia la bandeja de drenaje. ■ El cierre de las puertas puede producir un sonido de gorgoteo debido a la estabilización de la presión.

Consejos para la Solución de Problemas... Antes de solicitar el servicio técnico

¡Ahorre tiempo y dinero! Primero revise los cuadros que aparecen en las siguientes páginas y es posible que no necesite solicitar reparaciones. De ser necesario, podrá programar el servicio técnico visitándonos en **GEAppliances.com** o llamando al 800.GECARES (800.432.2737). En Canadá, visite **GEAppliances.ca** o llame al 1.800.561.3344.

PROBLEMA	POSIBLES CAUSAS	QUÉ HACER
Se abre la puerta del congelador cuando la puerta del refrigerador se cierra	Esto es normal si, después de abrirse, la puerta del congelador se cierra sola.	Esto indica que hay un buen sello en la puerta del congelador. Si la puerta del congelador no se cierra automáticamente después de abrirse, los rodillos necesitan ajuste. Consulte la sección <i>Rodillos y patas de nivelación</i> .
La puerta no se cierra sola	Es necesario ajustar las patas de nivelación.	Consulte la sección <i>Rodillos y patas de nivelación</i> .
El refrigerador no opera	El refrigerador está en el ciclo de descongelado.	Espere unos 40 minutos hasta que el ciclo de descongelado termine.
	Cualquiera o ambos controles están en la posición 1 (apagado).	Mueva el control del refrigerador y del congelador a un nivel de temperatura.
	El refrigerador está desconectado.	Empuje el enchufe completamente en el tomacorriente.
	El fusible está quemado / el interruptor automático se saltó.	Reemplace el fusible o reajuste el interruptor.
Vibración o traqueteo (una vibración ligera es normal)	El refrigerador no descansa sobre los rodillos.	Ajuste las patas de nivelación. Consulte la sección <i>Rodillos y patas de nivelación</i> .
El motor opera con frecuencia por largos periodos o ciclos de forma intermitente (Los refrigeradores modernos con más espacio de almacenamiento y un congelador más grande requieren de más tiempo de operación. Arrancan y paran con frecuencia para mantener temperaturas uniformes.)	Normal cuando el refrigerador se conecta inicialmente.	Espere 24 horas hasta que el refrigerador se enfríe por completo.
	Con frecuencia ocurre cuando grandes cantidades de alimentos se almacenan en el refrigerador.	Esto es normal.
	La puerta se deja abierta.	Revise si un paquete está reteniendo la puerta abierta.
	El clima caliente o abrir la puerta frecuentemente.	Esto es normal.
	Los controles de la temperatura están en el nivel más frío.	Consulte la sección <i>Sobre los controles</i> .
	El compartimiento de alimentos frescos o el congelador no están muy fríos	El control de la temperatura no está en un nivel suficientemente frío.
Hielo o cristales de hielo en los alimentos congelados (el hielo dentro de un paquete es normal)	El clima caliente o abrir la puerta frecuentemente.	Fije el control de la temperatura a un nivel más frío. Consulte la sección <i>Sobre los controles</i> .
	La puerta se deja abierta.	Revise si un paquete está reteniendo la puerta abierta.
	La puerta del congelador se abre.	Ver el problema <i>La puerta del congelador se abre cuando la puerta del refrigerador está cerrada</i> .
	La puerta se deja abierta.	Revise si un paquete está reteniendo la puerta abierta.
Sonido de zumbido frecuente	Abrir la puerta con mucha frecuencia o por mucho tiempo.	Retire los artículos de la pared posterior del congelador.
	Los alimentos bloquean los conductos del congelador.	
Cubos pequeños o huecos	El interruptor de energía de abajo dañará la válvula de agua. la máquina de hacer hielo está en la posición ON (Encendido) (hacia abajo), pero el suministro de agua al refrigerador no fue conectado.	Configure el interruptor de energía en la posición STOP (Detener) (hacia arriba). Mantenerlo en la posición ON (Encendido) (hacia
La máquina de hielos automática no funciona (en algunos modelos)	Filtro de agua tapado.	Reemplace el cartucho del filtro con uno nuevo o con el tapón.
	El interruptor de energía de la máquina de hacer hielo no se encuentra configurado en ON (Encendido).	Mueva el interruptor de energía a la posición ON (Encendido).
	El suministro del agua está apagado o no está conectado.	Consulte la sección <i>Cómo instalar la tubería del agua</i> .
	El compartimiento del congelador no es muy frío.	Espere 24 horas para que el refrigerador se enfríe completamente.
	Hay cubos amontonados en el recipiente de almacenamiento que causan que la máquina de hielos se apague.	Nivele los cubos con la mano.
	Los cubos de hielo están obstruidos en la máquina de hielos. (La luz verde de la máquina de hielos está intermitente)	Apague la máquina de hielos, retire los cubos y vuelva a encender la máquina de hielos.

Consejos para la Solución de Problemas... Antes de solicitar el servicio técnico

PROBLEMA	POSIBLES CAUSAS	QUÉ HACER
Los cubos de hielo tienen olor / sabor	El recipiente de almacenamiento de hielos necesita limpieza.	Desocupe el recipiente y lávelo. Deseche los cubos viejos.
	Hay alimentos que transmiten olor / sabor a los cubos de hielo.	Envuelva bien los alimentos.
	El interior del refrigerador necesita limpieza.	Consulte la sección de <i>Cuidado y limpieza</i> .
Congelamiento lento de los cubos de hielo	La puerta se deja abierta.	Revise si un paquete está reteniendo la puerta abierta.
	El control de la temperatura no está en un nivel suficientemente frío.	Consulte la sección <i>Sobre los controles</i> .
		Un refrigerador nuevo instalado recientemente podría necesitar entre 12 y 24 horas para comenzar a hacer cubos de hielo.
Se forma humedad en la superficie del gabinete entre las puertas	No es usual durante periodos de alta humedad.	Seque la superficie, luego ajuste el control de alimentos frescos fijándolo en un número más alto y revise de nuevo en 24 horas.
El refrigerador tiene olor	Hay alimentos que transmiten olor / sabor al refrigerador.	Los alimentos con olores fuertes deben envolverse firmemente.
	El interior necesita limpieza.	Mantenga una caja abierta de bicarbonato en el refrigerador; reemplácela cada tres meses.
		Consulte la sección de <i>Cuidado y limpieza</i> .
Humedad se forma al interior (en clima húmedo, el aire lleva la humedad al refrigerador cuando las puertas se abren)	Abrir la puerta con mucha frecuencia o por mucho tiempo.	
	Contenedores de agua abiertos o alimentos calientes en el refrigerador.	Cubra o selle los contenedores abiertos. Durante el ciclo de descongelación, la humedad se elimina del refrigerador, pero puede volver si se deja la puerta abierta frecuentemente o por largos periodos de tiempo.
La luz del compartimiento del refrigerador no funciona	No hay corriente en el toma corriente.	Reemplace el fusible o vuelva a iniciar el interruptor.
	Bombilla quemada o suelta.	Consulte la sección <i>Cómo reemplazar la bombilla</i> .
Aire caliente de la parte de abajo del refrigerador	Motor de enfriamiento normal del flujo del aire. En el proceso de refrigeración, es normal que salga calor de la parte inferior del refrigerador. Algunas cubiertas de piso son sensibles y se decolorarán ante estas temperaturas normales y seguras.	
Congelamiento de alimentos en el refrigerador	Los alimentos están muy cercanos al ventilador en la parte posterior del refrigerador.	Mueva los alimentos lejos del ventilador (cerca de los controles).
	El control del refrigerador está en un nivel demasiado frío.	Mueva el control del refrigerador a una temperatura menos fría un incremento a la vez.
Brillo color naranja en el congelador	El calentador de descongelación está encendido.	Esto es normal.
Los compartimientos de la puerta no encajan	Los compartimientos de la puerta del congelador son de tamaño diferente a los compartimientos de la puerta del refrigerador.	Trate de instalar los compartimientos en ambas puertas.
Los controles no encienden	Algunos modelos no tienen controles luminosos.	Si puede ver números blancos en el control, el modelo no tiene controles luminosos.
	Luz del refrigerador quemada o suelta.	Consulte la sección <i>Cómo reemplazar las bombillas</i> .
El agua tiene un sabor/olor malo	El dispensador de agua no se uso por mucho tiempo.	Dispense el agua hasta que todo el sistema del agua se llene de nuevo.
El agua en el primer vaso está tibia	Eso es normal con un refrigerador recién instalado.	Espere 24 horas para que se enfríe el refrigerador.
	El dispensador de agua no se uso por mucho tiempo.	Dispense el agua hasta que todo el sistema del agua se llene de nuevo.
	El sistema de agua se ha desaguado.	Espere algunas horas para que se enfríe el agua.
No sale agua y el dispositivo para hacer hielo no funciona	Está tapada la línea de agua o la llave de paso.	Llame a un plomero.

Garantía Limitada del refrigerador

Todo el servicio de garantía es provisto por nuestros Centros de Servicio de Fabricación, o un técnico autorizado de Servicio al Cliente (Customer Care®). Para programar una visita del servicio técnico, visítenos en **GEAppliances.com**, o comuníquese al 800.GE.CARES (800.432.2737). En Canadá llame al 1.800.561.3344.

Cuando llame para solicitar el servicio, tenga los números de serie y modelo disponibles.

Para realizar el servicio técnico de su refrigerador se podrá requerir el uso de datos del puerto de abordaje para su diagnóstico. Esto da al técnico del Servicio de Fábrica de GE Appliances la habilidad de diagnosticar de forma rápida cualquier problema con su electrodoméstico, y de ayudar a GE Appliances a mejorar sus productos al brindarle a GE Appliances la información sobre su electrodoméstico. Si no desea que los datos de su electrodoméstico sean enviados a GE Appliances, solicitamos que le indique a su técnico NO entregar los datos a GE Appliances en el momento del servicio.

Por el período de:	GE Appliances reemplazará
Un año A partir de la fecha de la compra original	Cualquier parte del refrigerador que falle debido a defectos en los materiales o en la fabricación. Durante esta garantía limitada de un año , GE Appliances también proporcionará, sin costo alguno , toda la mano de obra y el servicio relacionado para reemplazar partes defectuosas.

Lo que GE Appliances no cubrirá

- Viajes del técnico del servicio a su hogar para enseñarle sobre cómo usar el producto.
- Instalación, entrega o mantenimiento inadecuados.
- Fallas del producto en caso de abuso, mal uso, o uso para propósitos diferentes al original o uso comercial.
- Pérdida de alimentos por mal estado.
- Reemplazo de fusibles de la casa o reinicio de disyuntores.
- Daño causado después de la entrega.
- Reemplazo del cartucho del filtro de agua, si se incluye, debido a la presión del agua que está fuera del rango de funcionamiento específico o debido a exceso de sedimentos en el suministro de agua.
- Reemplazo de bombillas de luz, si se incluyen, o del cartucho del filtro de agua, si se incluye, a diferencia de lo detallado anteriormente.
- Daños ocasionados sobre el producto por accidente, incendio, inundaciones o catástrofes naturales.
- Daños consecuentes o incidentales causados por posibles defectos de este producto.
- Producto no accesible para brindar el servicio requerido.
- Los daños causados por un filtro de agua Marca no GE Appliances.
- Cualquier daño sobre la terminación deberá ser informado dentro de las 48 horas luego de la entrega del electrodoméstico.
- Productos que no presenten defectos ni estén rotos, o que estén funcionando de acuerdo con lo descrito en el Manual del Propietario.

EXCLUSIÓN DE GARANTÍAS IMPLÍCITAS—Su único y exclusivo derecho es la reparación del producto, tal y como se indica en esta Garantía limitada. Cualquier garantía implícita, incluyendo las garantías implícitas de comerciabilidad o adecuación para un fin determinado, están limitadas a un año o el período de tiempo más breve permitido por la ley.

Para los clientes de EE.UU. Esta garantía limitada se extiende al comprador original y a cualquier dueño subsiguiente de productos comprados para uso hogareño dentro de EE.UU. Si el producto está en un área donde no se encuentra disponible un Proveedor Autorizado del Servicio Técnico de GE Appliances, usted será responsable por el costo de un viaje o se podrá requerir que traiga el producto a una ubicación del Servicio Técnico de GE Appliances Autorizado para recibir el servicio. En Alaska, la garantía limitada excluye el costo de envío o llamadas del servicio a su hogar.

Algunos estados no permiten la exclusión o limitación de daños fortuitos o consecuentes. Esta garantía limitada le da derechos legales específicos y es posible que tenga otros derechos legales que varían entre un estado y otro. Para conocer cuáles son sus derechos legales, consulte a la oficina de asuntos del consumidor local o estatal o al Fiscal de su estado.

Garante: GE Appliances, a Haier company
Louisville, KY 40225

Para Clientes en Canadá: Esta garantía se extiende al comprador original y a cualquier dueño subsiguiente de productos comprados para uso hogareño dentro de Canadá. El servicio técnico hogareño de la garantía será brindado en áreas donde Mabe se encuentre disponible y lo considere apropiado.

Garante en Canadá: MC Commercial, Burlington, ON Canada, L7R 5B6

Grape aquí su recibo. Se requiere facilitar prueba de la fecha de compra original para obtener un servicio bajo la garantía.

Soporte para el Consumidor

Sitio Web de GE Appliances

¿Desea realizar una consulta o necesita ayuda con su electrodoméstico? ¡Intente a través del Sitio Web de GE Appliances las 24 horas del día, cualquier día del año! Usted también puede comprar más electrodomésticos maravillosos de GE Appliances y aprovechar todos nuestros servicios de soporte a través de Internet, diseñados para su conveniencia.

En EE.UU.: GEAppliances.com En Canadá: GEAppliances.ca

Registre su Electrodoméstico

¡Registre su electrodoméstico nuevo a través de Internet, según su conveniencia! Un registro puntual de su producto permitirá una mejor comunicación y un servicio más puntual de acuerdo con los términos de su garantía, en caso de surgir la necesidad. También puede enviar una carta en la tarjeta de inscripción preimpresa que se incluye con el material embalado.

En EE.UU.: GEAppliances.com/register

En Canadá: Prodsupport.mabe.ca/crm/Products/ProductRegistration.aspx

Servicio Programado

El servicio de reparación de expertos de GE Appliances está a sólo un paso de su puerta. Conéctese a través de Internet y programe su servicio a su conveniencia cualquier día del año. En EE.UU.: GEAppliances.com/service o comuníquese al 800.432.2737 durante el horario de atención comercial.

En Canadá: GEAppliances.ca/en/support/service-request o comuníquese al 1.800.561.3344.

Garantías Extendidas

Adquiera una garantía extendida de GE Appliances y conozca los descuentos especiales que están disponibles mientras su garantía aún está vigente. La puede adquirir en cualquier momento a través de Internet. Los servicios de GE Appliances aún estarán allí cuando su garantía caduque.

En EE.UU.: GEAppliances.com/extended-warranty o comuníquese al 800.626.2224 durante el horario de atención comercial.

En Canadá: GEAppliances.ca/en/support/purchase-extended-warranty o comuníquese al 866.277.9842

Conectividad Remota

Para solicitar asistencia para la conectividad de red inalámbrica (para modelos con acceso remoto), visite nuestro sitio web en GEAppliances.com/connected-home-smart-appliances o comuníquese al 800.220.6899 en EE.UU.

Piezas y Accesorios

Aquellos individuos calificados para realizar el servicio técnico de sus propios electrodomésticos podrán solicitar el envío de piezas o accesorios directamente a sus hogares (se aceptan las tarjetas VISA, MasterCard y Discover). Ordene hoy a través de Internet durante las 24 horas, todos los días. En EE.UU.: GEApplianceparts.com o de forma telefónica al 877.959.8688 durante el horario de atención comercial.

Las instrucciones que figuran en este manual cubren los procedimientos que serán realizados por cualquier usuario. Otros servicios técnicos generalmente deben ser derivados a personal calificado del servicio. Se deberá tener cuidado, ya que una reparación indebida podrá hacer que el funcionamiento no sea seguro.

Los clientes de Canadá deberán buscar el centro de servicios Mabe más cercano en las páginas amarillas; visite nuestro sitio web en GEAppliances.ca/en/products/parts-filters-accessories o comuníquese al 800.661.1616.

Contáctenos

Si no se encuentra satisfecho con el servicio que recibió de GE Appliances, comuníquese con nosotros a través de nuestro sitio Web con todos los detalles, incluyendo su número telefónico, o escriba a:

En EE.UU.: General Manager, Customer Relations | GE Appliances, Appliance Park | Louisville, KY 40225

GEAppliances.com/ge/service-and-support/contact.htm

En Canadá: MC Commercial, Burlington, ON Canada, L7R 5B6

GEAppliances.ca/en/contact-us
