



WASHERS

SAFETY INSTRUCTIONS 4

USING THE WASHER

Getting Started 6

Loading 16

Appliance Communication 17

CARE AND CLEANING 18

INSTALLATION INSTRUCTIONS 19

TROUBLESHOOTING TIPS 24

LIMITED WARRANTY 27

CONSUMER SUPPORT 30

OWNER'S MANUAL & INSTALLATION INSTRUCTIONS

GTW720
 GTW725
 GTW840
 GTW845

**ENGLISH/FRANÇAIS/
 ESPAÑOL**

Write the model and serial numbers here:

Model # _____

Serial # _____

You can find them under the lid of the washer.

GO16

THANK YOU FOR MAKING GE APPLIANCES A PART OF YOUR HOME.

Whether you grew up with GE Appliances, or this is your first, we're happy to have you in the family.

We take pride in the craftsmanship, innovation and design that goes into every GE Appliances product, and we think you will too. Among other things, registration of your appliance ensures that we can deliver important product information and warranty details when you need them.

Register your GE appliance now online. Helpful websites and phone numbers are available in the Consumer Support section of this Owner's Manual. You may also mail in the pre-printed registration card included in the packing material.



IMPORTANT SAFETY INFORMATION

READ ALL INSTRUCTIONS BEFORE USING THE APPLIANCE

⚠ WARNING To reduce the risk of death, fire, explosion, electric shock, or injury to persons when using your appliance, follow basic precautions, including the following:

- Read all instructions before using the appliance.
- Follow all fabric care instructions and warnings to prevent melting of garments or damage to the appliance.
- **DO NOT** wash or dry articles that have been previously cleaned in, washed in, soaked in or spotted with gasoline, dry-cleaning solvents, or other flammable or explosive substances, as they give off vapors that could ignite or explode.
- **DO NOT** add gasoline, dry-cleaning solvents, or other flammable or explosive substances to the wash water. These substances give off vapors that could ignite or explode.
- Under certain conditions, hydrogen gas may be produced in a hot-water system that has not been used for 2 weeks or more. **HYDROGEN GAS IS EXPLOSIVE**. If the hot water system has not been used for such a period, before using a washing machine, turn on all hot-water faucets and let the water flow from each for several minutes. This will release any accumulated hydrogen gas. As the gas is flammable, **DO NOT** smoke or use an open flame during this time.
- **DO NOT** allow children to play on or in this appliance. Close supervision of children is necessary when this appliance is used near children. Before the washer is removed from service or discarded, remove the door or lid. Failure to follow these instructions may result in death or injury to persons.
- **DO NOT** reach into the appliance if the tub or agitator is moving to prevent accidental entanglement.
- For waterproof, water-resistant and bulky items, only use the **Bulky Items** (or **Delicates**) cycle. **DO NOT** use other cycles for these items. Using other cycles can cause excessive vibration and may result in injury or damage to the washer, walls, or floor. **DO NOT** mix waterproof and non-waterproof items.
- **DO NOT** install or store this appliance where it will be exposed to the weather.
- **DO NOT** tamper with controls, repair or replace any part of this appliance or attempt any servicing unless specifically recommended in the user maintenance instructions or in published user repair instructions that you understand and have the skills to carry out.
- **DO NOT** operate this appliance if it is damaged, malfunctioning, partially disassembled, or has missing or broken parts including a damaged cord or plug.
- Unplug the appliance or turn off the circuit breaker before servicing. Pressing the **Power** button **DOES NOT** disconnect power.
- See “ELECTRICAL REQUIREMENTS” located in the Installation Instructions for grounding instructions.

READ AND SAVE THESE INSTRUCTIONS

IMPORTANT SAFETY INFORMATION

READ ALL INSTRUCTIONS BEFORE USING THE APPLIANCE

PROPER INSTALLATION

This washer must be properly installed and located in accordance with the Installation Instructions before it is used.

- Ensure that the hot water hose is connected to the “H” valve and the cold water hose is connected to the “C” valve.
- Install or store where it will not be exposed to temperatures below freezing or exposed to the weather, which could cause permanent damage and invalidate the warranty.
- Properly ground washer to conform with all governing codes and ordinances. Follow details in the Installation Instructions.
- Ensure washer is properly leveled and washer legs are adjusted such that unit is stable.
- Optional drain hose extension recommended for discharging heights from 60” - 96”.
- GE Appliances strongly recommends the use of factory specified parts. A list of factory hoses available for purchase are listed. These hoses are manufactured and tested to meet GE Appliances specifications.
- GE Appliances strongly recommends the use of new water supply hoses. Hoses degrade over time and need to be replaced every 5 years to reduce the risk of hose failures and water damage.

START-UP SEQUENCE

- Any time the washer is being started or restarts after the washer lid has been opened and closed, the washer will turn on the cold water valve for two short periods followed by a 10 second pause before continuing. If the lid is opened during this period, the washer will pause. You will have to push the **Start** button again to restart the cycle.

AUTOMATIC DRAIN SEQUENCE

- Machine will automatically drain any time the lid is left open for more than 15 minutes and water is present.
- Machine will automatically drain if left in a paused state with the lid closed for more than 24 hours and water is present.
- Machine will automatically drain after dispensing water in **Water Station** mode after the cycle knob has been turned to another cycle.

WHEN NOT IN USE

- Turn off water faucets to minimize leakage if a break or rupture should occur. Check the condition of the fill hoses; GE Appliances recommends changing the hoses every 5 years.

PARTS AND ACCESSORIES

Order on-line at GEApplianceparts.com today, 24 hours a day or by phone at 800.626.2002 during normal business hours. In Canada, visit your local GE Appliances parts distributor or call 800.661.1616.

Part Number	Accessory
PM14X10002	4 ft rubber water supply hoses
Or	
PM14X10005	4 ft braided water supply hoses
WH49X301	Drain hose extension
PM7X1	Washer Floor Tray

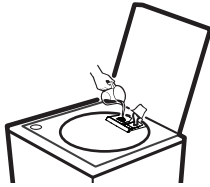
READ AND SAVE THESE INSTRUCTIONS

Getting started

⚠ WARNING To reduce the risk of fire, electric shock, or injury to persons, read the **IMPORTANT SAFETY INSTRUCTIONS** before operating this appliance.

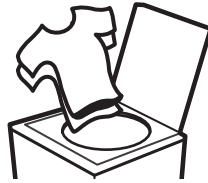
Throughout this manual, features and appearance may vary from your model.

Step 1



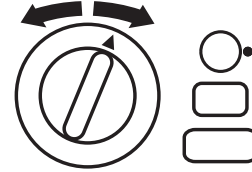
- Add fabric softener to the fabric softener dispenser.
IMPORTANT: For detergent use, see the specific dispenser section in this manual for your model.
- If using detergent packets, add to the Laundry Pack Dispenser cup (on some models) or add to the bottom of the wash basket before adding clothes. We recommend the use of High Efficiency laundry packs such as Tide PODS™ or Gain Flings™.

Step 2



- Loosely add items around agitator or Infusor. Overloading may negatively impact wash performance. See page 16 for suggested loading examples.
- If not using a dispenser, add the manufacturer's recommended amount of detergent to the top of the load after adding clothes. We recommend the use of High Efficiency detergents such as Tide HE Turbo™ in your energy efficient washer.

Step 3

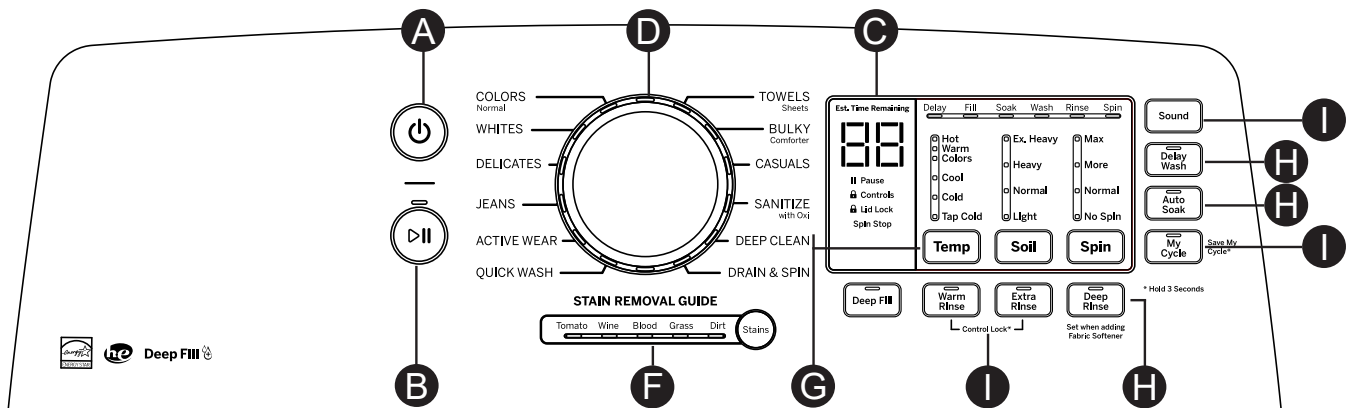
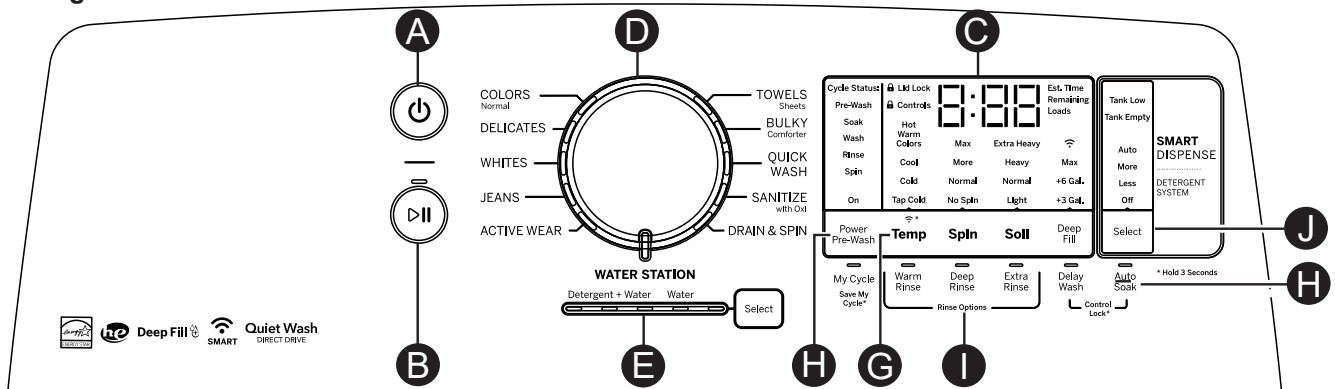


- Close lid.
NOTE: Unit will not start with lid open except on Bulky Items cycle.
- Select wash cycle.
- Select wash options, including Deep Rinse option when using fabric softener.
- Select options.

Step 4



- Press Start.



- A Power**
Press to “wake up” the display. If the display is active, press to put the washer into idle mode.
NOTE: Pressing **Power** does not disconnect the appliance from the power supply.

Getting started

B Start/Pause

Press **Start** to begin the cycle. **NOTE:** Unless **Bulky Items** cycle is selected, the lid must be closed for the washer to start cycle. If the lid is open, "Lid" will scroll across the display. During the load sensing portion of the cycle, the lid will lock and "SEnSing" will scroll across the display. When load sensing is complete, the lid will unlock.

Pressing **Pause** will unlock the lid (if locked at that time), pause the cycle and the **Start** indicator light will blink.

To continue the cycle, press **Start** again. If water remains in the machine, select the **Drain & Spin** cycle to drain basket and spin water out of the washer basket. **NOTE:** Machine will automatically cancel and drain when water is present and the lid is left open for 15 minutes or the unit is left in a paused state for 24 hours with the lid closed. Select cycle and press **Start** to begin new cycle.

C Display and Status Lights

Display: The display shows the **approximate** time remaining until the end of the cycle. **NOTE:** The cycle time is affected by how long it takes the washer to fill. This depends on the water pressure in your home. The size of the load being washed also significantly impacts cycle time, with larger loads taking longer.

In addition, this display will, "scroll" the washer status:

- **bALAnCINg** Start of rebalancing cycle to redistribute clothes. Stops after rebalancing is complete.
- **dELAY** When **Delay Wash** is initiated. Replaced with estimated time when cycle starts.
- **End** End of current cycle.
- **FILL** "FILL" will scroll across display for the first 45 seconds of fill, afterwards the estimated end of cycle time is displayed.
- **H2O SUPPLY** Can not sense water level (valves possibly turned off).
- **Lid** Cycle stopped because lid is open. Close the lid.
- **SEnSing** Sensing out-of-balance condition, waterproof items, or load size and type before and during fill (normal).
- **PAUSE** Cycle paused because the **Start/Pause** button was pressed and the washer was set to **Pause**. Press **Start** button again to restart the cycle.

Cycle status lights: Shows whether the washer is in the **Pre-wash, Delay, Fill, Soak, Wash, Rinse** or **Spin** portion of the cycle. **NOTE:** Cycle status lights vary by model.

If an out-of-balance condition is detected by the washer, the **Spin** light will blink during the remaining portion of the cycle and will stay illuminated for a short time after cycle completion. When this occurs, the washer is taking actions to correct the out-of-balance condition and complete the cycle normally. In some cases, the washer may not be able to balance the load and spin up to full speed. If you notice the load is more wet than normal at the end of the cycle, redistribute the load evenly in the wash basket and run a **Drain & Spin** cycle.

Feature status lights indicate (see sections **F** and **G** for more details):

- || **Pause** - Will display when washer is paused between cycles.
- 🔒 **Controls** - The washer is locked - will blink once if you press any button or turn the cycle knob.
- 🔒 **Lid Lock** - The lid is locked. See the **Control Lock** description.
- 📶 **WiFi** (on some models) - Will display when washer is connected via WiFi. Will blink when you are attempting to connect your device to your home WiFi.

Spin Stop - Indicates wash basket is coasting to a stop following spin. Lid will not unlock until basket has fully come to a stop.

Consumer Help Indicator

Your washer is equipped with Consumer Help Indicator (CHI). CHI is our way to communicate a simple remedy for some situations that you can perform without the need to call for service. The chart below describes the helpful messages you may notice scrolling on your display when you return to start another load. These messages will provide simple remedies you can quickly perform.

Spin light blinking	If an out-of-balance condition is detected by the washer, the Spin light will blink during the remaining portion of the cycle and will stay illuminated for a short time after cycle completion. When this occurs, the washer is taking actions to correct the out-of-balance condition and complete the cycle normally. In some cases, the washer may not be able to balance the load and spin up to full speed. If you notice the load is more wet than normal at the end of the cycle, redistribute the load evenly in the wash basket and run a Drain & Spin cycle.
"H2O SUPPLY" (Water not entering washer)	Check your house water supply. Did you forget to turn on one or both supply valves after installation or coming back from vacation? As soon as the message starts to scroll, the washer will initiate a 4 minute lock-out period. The washer controls won't respond/change during this time. After the 4 minutes, you can begin your cycle again. If you try to bypass the lock-out period by unplugging the washer, the 4 minute timer will start over again.
"CAnCELEd"	"CAnCELEd" may scroll on the display if the machine was paused for longer than 24 hours or if the machine has stopped itself before the cycle completed due to certain errors. As soon as the message starts to scroll, the washer will initiate a 4 minute lock-out period. The washer controls won't respond/change during this time. After the 4 minute period, you can begin your cycle again. If you try to bypass the lock-out period by unplugging the washer, the 4 minute timer will start over again. If the problem persists, call GE Appliances at 800.GE.CARES (800.432.2737) for service.
"Lid"	"Lid" will be shown on display if 3 cycles have been started without opening the lid. The washer will not start another cycle until the lid is opened. Try opening, then closing the lid and starting a new cycle. If the problem persists, call GE Appliances at 800.GE.CARES (800.432.2737) for service.

Getting started

D Wash Cycles-Cycle Selector Knob

The wash cycle controls the type of washing process. The cycle selector knob can be turned in either direction. Turning the knob after starting a cycle will stop the washer and change the cycle/options to the new selection. Press **Start** to begin the new cycle selection.

The chart below will help you match the items to be washed with the best wash cycle settings. For optimal performance, select the cycle that most closely matches the items being washed.

Selections and options shown in **bold** are the recommended settings for that cycle.

Some cycles and options may not be available on some models.

Items to Wash	Cycle	Wash Temp	Soil Level	Spin Selection (Duration)	Options Available	Cycle Details
Cycle for normal, regular, or typical use for washing up to a full load of normally soiled cotton clothing.	Colors	Hot Warm Colors Cool Cold Tap Cold	Ex. Heavy Heavy Normal Light	Max More Normal No Spin	Stain Removal Guide Warm Rinse Auto Soak Deep Rinse Delay Wash Extra Rinse Power Pre-Wash	Cycle for normal, regular, or typical use for washing up to a full load of normally soiled cotton clothing. Choose the Heavy or Extra Heavy soil level selection and Warm or Hot water temperature selection as appropriate for your clothes load for a higher degree of cleaning. Incorporates multi-stage fills and wash periods to provide optimal fabric care.
Casual clothes, lightly soiled office wear.	Casuals	Hot Warm Colors Cool Cold Tap Cold	Ex. Heavy Heavy Normal Light	Max More Normal No Spin	Stain Removal Guide Deep Fill Warm Rinse Auto Soak Deep Rinse Delay Wash Extra Rinse Power Pre-Wash	Wash cycle tailored to care for casual clothes and office wear items.
Lingerie and special care fabrics with light soil.	Delicates	Hot Warm Colors Cool Cold Tap Cold	Ex. Heavy Heavy Normal Light	Max More Normal No Spin	Stain Removal Guide Deep Fill Warm Rinse Auto Soak Deep Rinse Delay Wash Extra Rinse Power Pre-Wash	Utilizes an extra gentle agitate profile and a low spin speed to provide special care to delicate fabrics. It is recommended to place small or ultra delicate items in mesh bags before washing.
Medium to lightly soiled athletic wear items of technical or synthetic fabrics.	Active Wear	Hot Warm Colors Cool Cold Tap Cold	Ex. Heavy Heavy Normal Light	Max More Normal No Spin	Stain Removal Guide Deep Fill Warm Rinse Auto Soak Deep Rinse Delay Wash Extra Rinse Power Pre-Wash	Cycle designed for care of medium to lightly soiled active wear, athletic wear, and technical fabrics. Incorporates a dual stage wash period to effectively treat body soils and odors. Use the Heavy Duty cycle for heavily soiled sports clothing constructed of sturdy fabric.
Small loads of lightly soiled items that are needed in a hurry. Examples include one casual wear outfit or 3 soccer uniforms.	Quick Wash	Hot Warm Colors Cool	Ex. Heavy Heavy Normal Light	Max More Normal No Spin	Stain Removal Guide Deep Fill Warm Rinse Auto Soak Deep Rinse Delay Wash Extra Rinse Power Pre-Wash	Utilizes more intense agitation profile and expedited wash period to clean small lightly soiled loads in the fastest time possible.
Wet load of items. For items that need only to be rinsed, use this cycle with Deep Rinse option.	Drain & Spin			Max More Normal No Spin	Deep Rinse Extra Rinse	Utilizes a high speed spin to extract water from wet items. For items that need to be rinsed, select the Deep Rinse option when using this cycle.

Getting started

Items to Wash	Cycle	Wash Temp	Soil Level	Spin Selection (Duration)	Options Available	Cycle Details
Heavily soiled colorfast items.	Sanitize with Oxi*	Hot	Ex. Heavy	Max More	Warm Rinse Auto Soak Deep Rinse Delay Wash Extra Rinse	Cycle uses an initial lower water fill for super concentrated, high temperature sanitization followed by a heavy wash step. A pump purge and deep rinse is incorporated to remove contaminants. See additional details and certifications below. Smart Dispense not available on this cycle.
Jeans with medium to light soil. For heavily soiled work jeans, use the Heavy Duty Cycle.	Jeans	Hot Warm Colors Cool Cold Tap Cold	Ex. Heavy Heavy Normal Light	Max More Normal No Spin	Stain Removal Guide Deep Fill Warm Rinse Auto Soak Deep Rinse Delay Wash Extra Rinse Power Pre-Wash	Combines higher water levels, a specially designed agitation profile, and multi-step wash to care for jeans with medium to light soil. Use the Heavy Duty cycle for heavily soiled work jeans.
Sturdy fabrics with heavy to medium soil.	Deep Clean	Hot Warm Colors Cool Cold Tap Cold	Ex. Heavy Heavy Normal Light	Max More Normal No Spin	Stain Removal Guide Deep Fill Warm Rinse Auto Soak Deep Rinse Delay Wash Extra Rinse Power Pre-Wash	Incorporates multi-step wash periods combined with extended wash periods to effectively clean heavily to medium soiled sturdy fabrics.
Water-resistant, bedding and bulky items, such as large coats, mattress pads, and bath mats.	Bulky Items	Hot Warm Colors Cool Cold Tap Cold	Ex. Heavy Heavy Normal Light	Max More Normal No Spin	Stain Removal Guide Deep Fill Warm Rinse Auto Soak Deep Rinse Delay Wash Extra Rinse Power Pre-Wash	Provides a Deep Fill/max fill wash water level to wash bulky and waterproof items. Also incorporates a Deep Fill rinse to effectively rinse bulky items and a low spin speed appropriate for these items. Only use this cycle for water-resistant, bedding or bulky items.
Towels Sheets	Towels / Sheets	Hot Warm Colors Cool Cold Tap Cold	Ex. Heavy Heavy Normal Light	Max More Normal No Spin	Stain Removal Guide Deep Fill Warm Rinse Auto Soak Deep Rinse Delay Wash Extra Rinse Power Pre-Wash	Cycle designed washing towels or sheets, using a higher water level to effectively clean these items. It is recommended that towels and sheets be washed separately for best care and washing performance. For waterproof bed covers use Bulky Items cycle.
Whites and household linens	Whites	Hot Warm Colors Cool Cold Tap Cold	Ex. Heavy Heavy Normal Light	Max More Normal No Spin	Stain Removal Guide Deep Fill Warm Rinse Auto Soak Deep Rinse Delay Wash Extra Rinse Power Pre-Wash	Cycle tailored to clean and brighten your whites.

⚠ CAUTION Failure to follow these instructions may result in injury or property damage.

For Waterproof, Water-Resistant, or Bulky Items:

- Only use the **Bulky Items** (or **Delicates**) cycle. NOTE: Some models only have a **Delicates** cycle.
- Using other cycles can cause excessive vibration and may result in injury or damage to the washer, walls, or floor.
- Do not mix waterproof and non-waterproof items.
- Read the **Owner's Manual** for wash cycle details.

Getting started

*Sanitize with Oxi

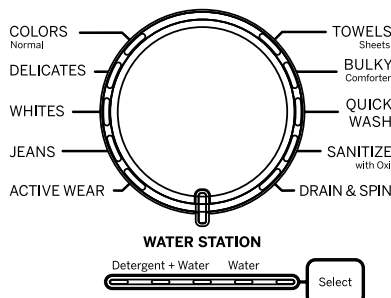
The **Sanitize With Oxi** cycle, when using an Oxi additive along with your detergent, is designed to remove 99.9% of bacteria found in home laundry. Measure the detergent and the Oxi products carefully. Using the amounts appropriate for a large heavily soiled load in a top load washer, follow the detergent and the Oxi product label instructions. For the **Sanitize With Oxi** cycle only, add the clothes first and then place the detergent and Oxi product directly on top of the load. The washer hot water supply connection must provide a minimum of 120°F to ensure the effectiveness of this cycle.

NOTE: The default **Sanitize With Oxi** cycle water temperature can NOT be changed.

F Pretreating or Soaking Using Water Station (on some models)

This feature is for pretreating of garments only and not intended to serve as an actual wash cycle. When selected, the washer will supply either fresh water or water mixed with detergent from your SmartDispense system for garment hand pre-washing or pre-treating use.

The pretreating water will be dispensed from the area located in the back of the main opening of the washer. When selected, any water dispensed into the wash tub during the pretreat will be drained from the machine before any subsequently selected wash cycle can begin.



Alternatively, you can use this feature to soak your garments in the pretreated water for up to 24 hours with the lid closed and the cycle knob remaining on **Water Station**.

In order to use this feature to soak, keep dial on **Water Station** and close the lid. You can soak for up to 24 hours before the water in the tub will be automatically drained. Rotating the dial, holding the **Start** button for 3 seconds or leaving the lid open for more than 15 minutes will all automatically drain the water from the tub.

Water Station only

Select this feature:

1. Rotate the cycle selection knob to **Water Station**.
2. Push the **Select** button until the LED below **Water** is illuminated.
3. Select the desired water temperature using the **Temp** button.
4. Press the **Start** button to initiate the feature.

If the lid is not already open, raise the lid of the washer to start the flow of fresh water from the dispensing area. Water will continue to be dispensed until the lid is closed or the water level in the tub reaches the maximum level.

If the lid is closed before the maximum level in the tub is reached, additional water can be dispensed by opening the lid again. Once the lid is closed, water dispensed using the water on demand feature will remain in the tub until the cycle selection knob is rotated to an actual wash cycle, or the **Start** button is held in for 3 seconds, at which point the water in the tub will be drained out of the machine.

If the lid is not closed, the water in the tub will automatically be drained after 15 minutes. With the lid closed, if the cycle selection knob is not rotated to an actual wash cycle, or the **Start** button is not held in for 3 seconds, the water in the tub will automatically be drained after 24 hours.

Water Station with Detergent

Select this feature:

1. Rotating the cycle selection knob to the **Water Station**.
2. Push the **Select** button until the LED below **Detergent + Water** is illuminated.
3. Select the desired water temperature using the **Temp** button.
4. Press the **Start** button to initiate the detergent feature.

If the lid is not already open, raise the lid of the washer to start the flow of soapy water from the dispensing area. Soapy water will continue to be dispensed until the lid is closed or the water level in the tub reaches the maximum level.

If the lid is closed before the maximum level in the tub is reached, additional soapy water can be dispensed by simply opening the lid again. Once the lid is closed, soapy water dispensed will remain in the tub until the cycle selection knob is rotated to an actual wash cycle, or the **Start** button is held in for 3 seconds, at which point the soapy water in the tub will be drained out of the machine.

If the lid is not closed, the soapy water in the tub will automatically be drained after 15 minutes. With the lid closed, if the cycle selection knob is not rotated to an actual wash cycle, or the **Start** button is not held in for 3 seconds, the soapy water in the tub will automatically be drained after 24 hours.

Getting started

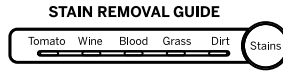
F Stain Removal Guide (on some models)

The **Stain Removal Guide** feature allows you to indicate what stains are on the garments in your load. An initial water fill is performed at a temperature tailored to the stain type selected and to an amount which enables a concentrated cleaning step. A stain scrubbing period, followed by an active soak, is conducted to effectively treat the stain. Then additional water is added to the selected temperature and the wash phase is conducted for the cycle selected.

This feature can be applied to most wash cycles as described in the cycle guide.

To use Stain Removal Guide:

1. Select the desired wash cycle.
2. Press the **Stain Removal Guide** button.



Continue to press to select **Tomato** stain, **Wine** stain, **Blood** stain, **Grass** stain or **Dirt** stain. The indicator light will show the selected stain.

To select a different stain, press the **Stain Removal Guide** button until desired stain to be removed is lit.

To turn off **Stain Removal Guide**, press until no indicator lights are illuminated.

NOTE: The Soil and Temperature levels will be changed to match the recommended default setting for each stain type. Turning off **Stain Removal Guide** will return the settings to default.

Stain Removal Guide

Category	Recommended Temperatures Treatment/Wash	Stain	For best results, before placing in washer:
Blood	Cold/Cool	Blood Sweat Body Fluids Urine	Rinse in cold water; pretreat stain with liquid detergent or stain remover product.
Grass	Cold/Warm	Grass Lipstick Chocolate Gravy Mayonnaise BBQ Sauce	Pretreat with liquid detergent or stain remover product. Brush lightly; rinse with cold water.
Dirt	Cool/Warm	Dirt Clay Mud	Allow dirt to dry; remove loose dirt using a brush. Rinse with cool water.
Tomato	Cool/Warm	Sauce Catsup Salsa	Pretreat with liquid detergent or stain remover product; rinse with cool water.
Wine	Cool/Warm	Wine Soda Kool-Aid Tea Coffee Juice Beer	Pretreat with mixture of Oxi product and cool water. Add Oxi product along with detergent in the washer.

- Recommended temperatures are optimal for stain removal performance; adjust temperature selection to suit load being washed.
- Ensure stain is completely removed after wash cycle and before placing in dryer; very tough stains may require a second treatment.

Getting started

Settings

Individual settings for agitation (**Soil**), water temperature (**Temp**), and spin (**Spin**) can be set from the minimum (lowest in column) to maximum (highest in column). In general, the higher up the column, the more washer energy will be used.

NOTE: Longer **Spin** times typically reduce dryer time/energy usage (i.e. reduces total energy when using both a washer and a dryer).

Cycle Options

Deep Fill

Select the **Deep Fill** feature for loads where extra water is needed. The **Deep Fill** feature is recommended for special case loads only, not for typical use.

Press and release the **Deep Fill** button once before starting the cycle to add 3 additional gallons of water to the wash load. Holding the **Deep Fill** button for 3 seconds will provide the deepest fill level possible; this will increase cycle time due to the additional time it takes to fill the washer.

To cancel the option if desired, press the **Deep Fill** button again.

NOTE: The **Deep Fill** button can also be pressed after the washer has completed filling and is in the wash phase if additional water is desired. To stop the extra fill, press the **Deep Fill** button again and the water will stop.

Power Pre-wash

Ideal for heavily soiled loads, this cycle option works with SmartDispense™ to add a brief wash, soak and drain cycle to loosen and remove heavy soil before starting the cycle selected.

Warm Rinse

Provides a warm rinse to your wash load. Note that rinsing operations may be different with this operation selected in order to effectively apply the warm rinse water to your load.

Auto Soak

This option begins with a brief agitation, soaks for a specified period of time, then moves through the rest of the cycle automatically. Repeated pressing of the **Soak** button will scroll through 15 minute, 30 minute, 1 hour and 2 hour selections and then return back to 0 soak minutes.

Deep Rinse

Set this option to provide a deep rinse or when using fabric softener. It may change other settings (e.g. **Spin** may go to a higher setting) to maximize performance.

Delay Wash

When the **Delay Wash** button is repeatedly pressed, the delay time is set from 1 (01H) to 9 (09H) hours and back to clear (00H) hours. If you press and hold the **Delay Wash** button for 3 seconds, it will immediately reset.

Extra Rinse

When you use extra detergent or bleach to clean heavily soiled clothes, use the **Extra Rinse** option to better remove additional residues. **NOTE:** This option is not allowed for some cycles.

Additional Options

My Cycle Settings

As the cycle selector knob is turned, the **Temp**, **Soil** and **Spin** settings change to automatic pre-set default settings for each cycle. If you desire different default settings, select the desired options or changes to the cycle settings, then press and hold the **My Cycle** button for 3 seconds to store them. The **My Cycle** button will light when active. In the future, when you turn the selector knob to that cycle, your settings will be automatically recalled. To restore the factory defaults temporarily (i.e. for this load), press the **My Cycle** button for 1/2 second. The **My Cycle** light will turn off and the factory defaults will load. However, the next time you select this cycle, your **My Cycle** settings will load. If you wish to permanently restore the factory default settings for the cycle; when the **My Cycle** is active (button light on) press and hold the **My Cycle** button for 3 seconds. The factory defaults will load for the selected cycle and the **My Cycle** light will turn off. The default settings will load when this cycle is selected in the future and the **My Cycle** light will remain off. **NOTE:** My Cycle saves the following options: **Temp**, **Soil**, **Spin**, **Extra Rinse**, **Deep Fill**, **Warm Rinse**, **Auto Soak**, **Deep Rinse** and **Stain Removal Guide**.

Sound (on some models)

Use the **Volume** button to change the volume of the end of cycle signal and other system tones. Press the button until you reach the desired volume (high, medium, low) or off.

Control Lock

Use the control lock before or during a cycle to prevent any selections from being made.

To lock/unlock the washer controls, press and hold the **Warm Rinse** and **Auto Soak** buttons for 3 seconds. The control lock icon will light up when it is on. **NOTE:** The **Power** button can still be used when the machine is locked.

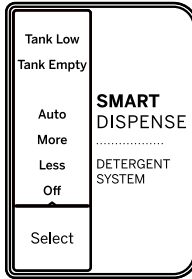
Getting started

J SmartDispense™ (GTW840 and GTW845 models only)

When selected, this feature will automatically add detergent to the wash, eliminating the need to add detergent for each load.

The detergent amount selection on the control panel will default to **AUTO** when first powering up the washing machine. When **AUTO** is selected, the amount of detergent needed for each laundry load will automatically be determined based on the size of the load the machine senses.

If it is desired to manually select the amount of detergent for a given load, this can be done by pressing the **Select**



button on the **Smart Dispense** control panel to choose between **Less** or **More** detergent. **Less** will provide less detergent than the **Auto** selection and **More** will provide more detergent than the **Auto** selection.

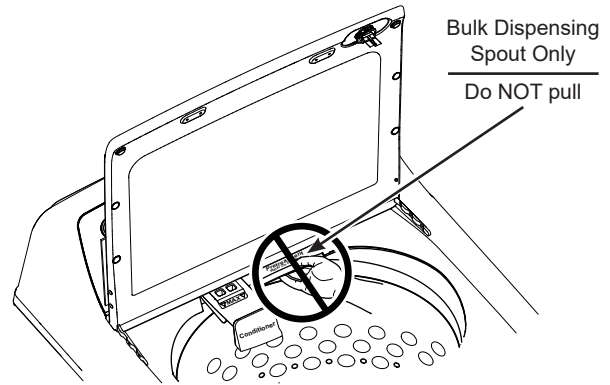
The smart dispense feature can be disabled by pressing the **Select** button on the Smart Dispense control panel until **Off** is selected.

NOTE: Not all cycles will allow the use of the SmartDispense feature. If the **Off** LED is illuminated and pressing the **Select** button results in a beeping tone, then SmartDispense is not allowed for the cycle that has been selected. Detergent will need to be added directly to the wash basket for these cycles.

This model does not have a dispenser drawer for detergent since it has a bulk detergent dispensing system.

NOTE: If it is desired to manually add detergent for a load, that detergent will need to be added directly to the basket, and the smart dispense set to **OFF** for that particular load.

NOTE: The right side of the dispensing area in the rear of the washer opening does **NOT** pull out. It is a spout only for water and detergent to flow from the smart dispense system.



Adding Detergent to SmartDispenser™ (GTW840 and GTW845 models only)

This machine is equipped with a bulk detergent reservoir that can hold approximately 75 ounces of liquid detergent for your convenience. This is enough detergent for about 50 average laundry loads, depending on what dispense amount is selected.



When the **Tank Low** or **Tank Empty** LED is illuminated, more detergent should be added to the reservoir to ensure detergent will be available for the next cycle.

The filling port of the detergent reservoir is located on the **front left** of the washing machine. To fill the reservoir with liquid detergent, first open the tank lid by rotating the small lid clockwise. Then pour **LIQUID** detergent into the opening until the level reaches the **MAX** indicator located inside the filling port, also indicated with the horizontal line next to the **MAX** lettering. Filling to this **MAX** level will provide detergent for about 50 average laundry loads.

NOTE: If it is desired to change detergent type in the detergent tank, it is not required to flush the smart dispense system. The new detergent type can be added to a partially-filled tank, however it will not be immediately dispensed until the original detergent is completely dispensed from the system.

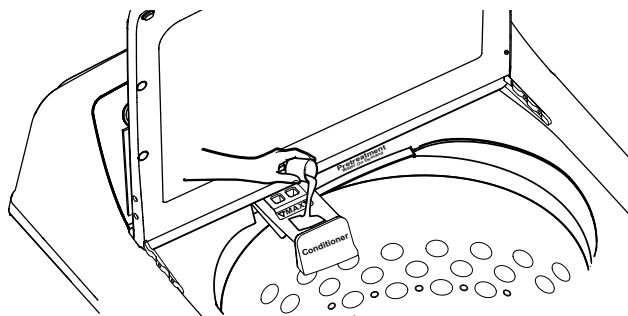
NOTE: In the event that excessive chlorine bleach is accidentally spilled or otherwise gets into the detergent tank, please follow the **Detergent Tank Clean-Out** instructions in the **Care and Cleaning** section in order to minimize the possibility for clothing damage. If only a few drops of bleach are spilled into the detergent tank, there is no need to flush the tank.

Getting started

Liquid Fabric Softener/Conditioner Dispenser (GTW840 and GTW845 models only)

Liquid fabric softener/conditioner should be added to the **small drawer in the rear of the washer opening**. Follow the liquid fabric softener/conditioner manufacturer's recommendations for the correct amount of softener/conditioner, based on the load size. Do not overfill or dilute softener/conditioner as this can result in additive being dispensed prematurely in the wash cycle. Your option selections will determine when liquid fabric softener/conditioner is automatically dispensed at its optimal time in the rinse cycle.

NOTE: Fabric softener crystals should **NOT** be added to the dispenser drawer, as they will not dispense properly.



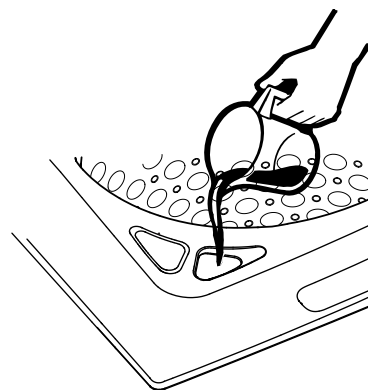
Liquid Bleach (GTW840 and GTW845 models only)

Use a measuring cup to pour the bleach into the bleach dispenser. Measure liquid bleach carefully and **DO NOT** pour directly from the bleach bottle into the bleach dispenser.

NOTE: The bleach dispenser is a single use dispenser and is **NOT** a bulk dispense system. The maximum amount of bleach that should be poured into this dispenser for any load should never exceed 1 cup.

NOTE: In the event that excessive chlorine bleach is accidentally spilled or otherwise gets into the detergent tank, please follow the **Detergent Tank Clean-Out** instructions in the **Care and Cleaning** section in order to minimize the possibility for clothing damage. If only a few drops of bleach are spilled into the detergent tank, there is no need to flush the tank.

NOTE: In the event that detergent is accidentally spilled or otherwise gets into the bleach opening, that detergent will simply be used for the next wash cycle. In this case there is no need to perform any flushing routine.



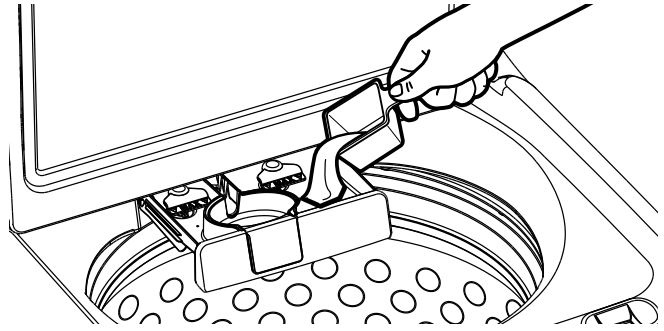
Getting started

Detergent Dispenser

(GTW720 and GTW725 models only)

HE detergent should be added to the **right side** of the dispenser drawer. Follow the detergent manufacturer's recommendations for the correct amount of detergent, based on load size, taking care to add detergent to the **right compartment**. Do not overfill or dilute detergent as this can result in additive being dispensed prematurely in the wash cycle. Your option selections will determine when detergent is automatically dispensed at its optimal time in the wash cycle. For optimal performance, especially when selecting cooler temperature and in cold weather climates, place powdered HE detergent directly on top of the load.


NOTE: Single-dose laundry packets should not be added to the detergent dispenser, as they will not dispense properly. Put packets in the Laundry Pack Dispenser Cup.

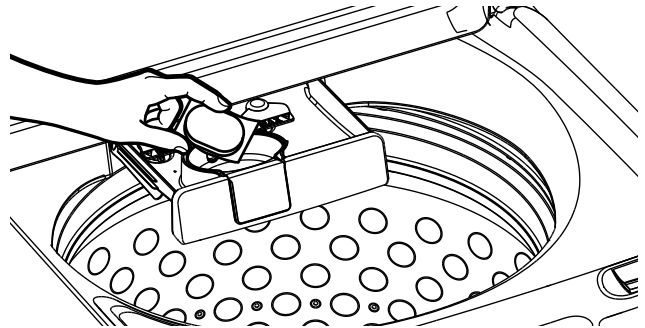


Laundry Pack Dispenser

(GTW720 and GTW725 models only)

Detergent packets (Laundry Packs) should be added to the Laundry Pack Dispenser cup. Follow the detergent manufacturer's recommendations for the correct number of detergent packets for your wash load. Do not add more detergent packets than recommended as this can result in residual detergent being leftover at the end of the cycle. Your option selections will determine when detergent is automatically dispensed at its optimal time in the wash cycle.

NOTE: We recommend the use of High Efficiency  laundry packs such as Tide PODS™ or Gain Flings™. Some detergent packs may not dispense completely at very cold temperatures or in the delicate cycle. In these cases, you may use a warmer temperature setting or, in rare cases, remove the outer cup to use the secondary, larger chamber to dispense harder to dissolve detergent packs.

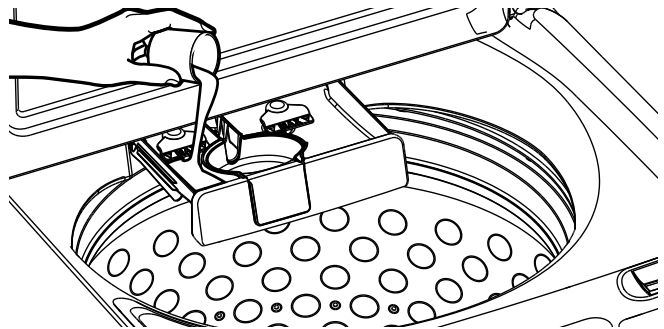


Liquid Fabric Softener/Conditioner Dispenser

(GTW720 and GTW725 models only)

Liquid fabric softener/conditioner should be added to the **left side** of the dispenser drawer. Follow the liquid fabric softener/conditioner manufacturer's recommendations for the correct amount of softener/conditioner, based on load size, taking care to add softener/conditioner to the **left compartment**. Do not overfill or dilute softener/conditioner as this can result in additive being dispensed prematurely in the wash cycle. Your option selections will determine when liquid fabric softener/conditioner is automatically dispensed at its optimal time in the rinse cycle.

NOTE: Fabric softener crystals should **NOT** be added to the dispenser drawer, as they will not dispense properly.

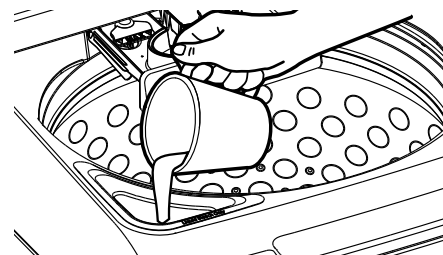


Liquid Bleach Dispenser

(GTW720 and GTW725 models only)

Liquid chlorine bleach should be added through the bleach dispenser in the **front left corner**. Follow bleach manufacturer's recommendations for the correct amount of liquid chlorine bleach based on load size, taking care to not apply or spill it directly on clothing.

NOTE: Do not use liquid chlorine bleach and laundry pretreatments such as an Oxi product in the same wash load.



Loading

Always follow fabric manufacturer's care label when laundering.

Automatic Load Sensing

This determines the correct agitate profile, agitate duration and amount of water suited to the size and type of load placed in the washer. The washer will not start the wash cycle or fill with water if the lid is open. When the lid is closed the machine is able to begin filling with water in order to sense the load size.

NOTE: Automatic Load Sensing initiates a spin at the beginning of the cycle; this is normal operation.

NOTE: This is a high efficiency washing machine. This system requires less water while providing effective cleaning action. You may notice that the water level is lower than on your previous washer. This is normal for a high efficiency washer.

Pretreatment

Place laundry pretreatments, such as an Oxi product, directly in the bottom of the wash basket before loading clothes.

NOTE: Do not use liquid chlorine bleach and laundry pretreatments such as an Oxi product in the same wash load.

Proper Use of Detergent

Using too little or too much detergent is a common cause of laundry problems.

Use less detergent if you have soft water, a smaller load or a lightly soiled load.

For spots, apply pre-treatment to items as recommended on the product label. Application should be made in the basket to prevent overspray which may cause the coloring on the lid or graphics to fade.

Place detergent packets in the Laundry Pack Dispenser (on some models) or the bottom of the wash basket before adding clothes.

GE Appliances recommends the use of High Efficiency detergents such as Tide HE Turbo™ in your energy efficient washer. HE detergents are formulated to work with low water wash and rinse systems. HE detergents reduce the oversudsing problems commonly associated with regular detergents.

When using high efficiency or concentrated detergents, consult the product label to determine amount required for optimum performance. Excessive detergent will negatively impact wash performance.

Sorting Wash Loads

Sort by color (whites, lights, colors), soil level, fabric type (sturdy cottons, easy care, delicates) and whether the fabric produces lint (terry cloth, chenille) or collects lint (velveteen, corduroy). Wash lint producers such as cotton towels and socks separate from lint collectors including synthetic garments and dress pants.

⚠ WARNING - Fire Hazard

DO NOT wash fabrics soiled with flammable liquids or cleaning solvents.

No washer can completely remove oil.

DO NOT wash or dry anything that has been soaked in or spotted with any type of oil (including cooking oils).

DO NOT reach into the washer until all moving parts have stopped.

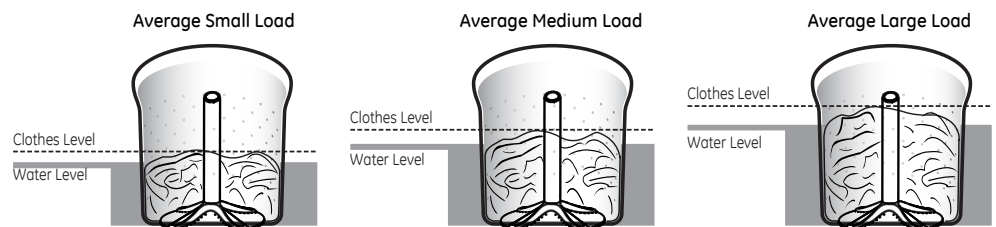
Doing so can result in death, explosion, fire or amputation.

Loading the Washer

Load dry items loosely in the washer basket. For best results, load items evenly and loosely around the outside of the basket, filling in towards the center on larger loads. To add items after washer has started, press **Start/Pause** if the lid is locked; wait until the **Lid Lock** indicator on the display is no longer illuminated before attempting to open the lid. Lift the lid and submerge additional items around the outside of the basket. Close the lid and press **Start** to resume. Adjust load size selection and/or use **Deep Fill** option if necessary.

NOTE: Some cycles use a two stage wash fill. The first stage will have a lower water level than the second stage; this is normal operation.

- Do not place large items such as sheets, blankets and towels across the Infusor. Load them around the outside of the basket.
- Do not put lawn or sofa cushions into the washer as they are too big to move. Remove outer covers and **ONLY** wash them.



Appliance communication

WiFi Connect (For customers in the United States only - on some models)

Depending on the model, your washer is either **GE Appliances WiFi Connect** enabled, or compatible using the optional **GE Appliances ConnectPlus** module.

If enabled: Visit geappliances.com/connect and enter your model number to show you the proper steps to connect your appliance.

If compatible: To connect this appliance to the internet you will need to purchase a **GE Appliances ConnectPlus** and attach the module to your appliance through the communication port in the appliance. The **GE Appliances ConnectPlus** will allow your appliance to communicate with your smartphone for remote appliance monitoring, control and notifications.

Please visit GEAppliances.com/connect to learn more about connected appliance features, to learn what connected appliance app's will work with your smartphone.

WiFi Connectivity: For assistance with the appliance or the **ConnectPlus** network connectivity, please call GE Appliances at **800.GE.CARES**.

Visit your local authorized GE Appliances parts distributor or order by phone at **800.661.1616** during normal business hours.

Part Number	Accessory
PBX10W00Y0	WiFi ConnectPlus module

Care and Cleaning

⚠ WARNING - Electrical Shock Hazard

Certain internal parts are intentionally not grounded and may present a risk of electric shock only during servicing. **Service personnel – DO NOT** contact the following parts while the appliance is energized: Drive Motor, Lid Lock, Water Valves, Drain Pump and Recirculation Pump.


Exterior of the Washer

Immediately wipe off any spills with a damp cloth.

Interior of the Washer

To clean the interior of the washer, select the **Bulky Items** feature on the control panel. This **Bulky Items** cycle should be performed, at a minimum, once per month. This cycle will use more water, in addition to bleach, to control the rate at which soils and detergents may accumulate in your washer.

NOTE: Read the instructions below completely before starting the **Bulky Items** cycle.

1. Remove any garments or objects from the washer and ensure the washer basket is empty.
2. Open the washer lid and pour one cup or 250 ml of liquid bleach or other washing machine cleaner into the basket. 
3. Close the lid and select the **Bulky Items** cycle. Push the **Start** button.

4. When the **Bulky Items** cycle is working, the display will show the estimated cycle time remaining. Do not interrupt the cycle.

Bulky Items may be interrupted by pressing the **Start** button in between cycles. A power outage in the house might also interrupt the cycle. When the power supply is back, the **Bulky Items** cycle resumes where it had stopped. When interrupted, be sure to run a complete **Bulky Items** cycle before using the washer. If the **Power** button is pressed during **Bulky Items**, the cycle will be lost.

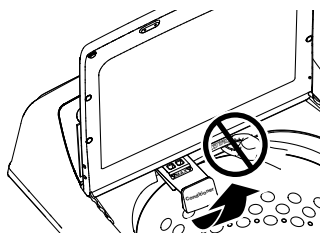
IMPORTANT:

- Run **Bulky Items** with 1 Cup (250 ml) of bleach once a month.
- After the completion of a **Bulky Items** cycle, the interior of your washer may have a bleach smell.

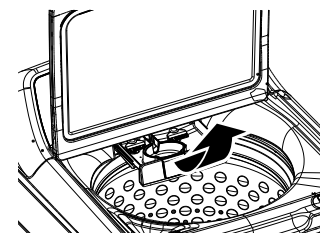
Dispenser Drawer

After some period of use, a small amount of detergent or softener residue may be present in the dispenser drawer. The drawer can easily be removed for cleaning. To remove the drawer, pull it out until the drawer stops and then lift up on the front of the drawer. The drawer can then be removed from the dispenser box. Wash the drawer in warm, soapy water using a mild detergent. Rinse drawer with warm water. If siphon caps are removed for cleaning, be sure to push siphon caps fully back into place after cleaning.

The dispenser drawer and siphon caps are not dishwasher safe. The dispenser box is not removable, but it can be wiped clean using a damp cloth if necessary. Do not attempt to remove the dispenser box for cleaning.



GTW840 and GTW845 models have a small dispenser drawer with one compartment for softener/conditioner only.



GTW720 and GTW725 models have a large dispenser drawer with compartments for both detergent and softener.

Detergent Tank Clean-Out

(GTW840 and GTW845 models only)

NOTE: All clothes should be removed from the washer prior to cleaning out the detergent tank.

To empty out the tank and remove any remaining detergent from the reservoir:

1. Press and hold both the **Detergent Dispense** and **Select** buttons for three seconds.

2. The empty out routine will begin with the contents of tank, mixed with water, being dispensed into the basket and consequently drained from the machine at the same time.
3. The empty out routine will continue for approximately 15 minutes unless it is paused by the pressing of the **Start** button. If tank is initially full, routine may need to be run a second time to empty detergent tank.

NOTE: Optionally, hot water can be added to the tank to aid in flushing out the system of any residual detergent prior to starting or during the cleanout routine.

Water Supply Hoses

Hoses connecting washer to faucet should be replaced every 5 years.

Long Vacations

Be sure water supply is shut off at faucets. Drain all water from hoses and water filter pump area if weather will be below freezing.

Moving and Storage

Ask the service technician to remove water from drain pump and hoses. Do not store the washer where it will be exposed to the weather.

GTW840 and GTW845 models only: Do not move the washer with a full tank of detergent. If moving the washer with a partially filled tank of detergent, do not tilt washer forward as detergent could spill from tank. If moving the washer will result in tipping the washer forward in any way, it is best to flush out your detergent tank. See **Detergent Tank Clean-Out** in this **Care and Cleaning** section.

Installation Instructions

Washer

If you have any questions, call GE Appliances at 800.GE.CARES (800.432.2737) or visit our Website at: GEAppliances.com
In Canada, call 800.561.3344 or visit GEAppliances.ca

BEFORE YOU BEGIN

Read these instructions completely and carefully.

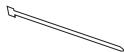
- **IMPORTANT** – Save these instructions for local inspector's use.
- **IMPORTANT** – Observe all governing codes and ordinances.
- **Note to Installer** – Be sure to leave these instructions with the Consumer.
- **Note to Consumer** – Keep these instructions for future reference.
- **Skill level** – Installation of this appliance requires basic mechanical and electrical skills.
- **Completion time** – 1-3 hours
- Proper installation is the responsibility of the installer.
- Product failure due to improper installation is not covered under the Warranty.

PARTS SUPPLIED

- Drain Hose
- Owner's Reference Guide



- Cable Tie
- Drain Hose Clip



- Clamp



TOOLS REQUIRED FOR WASHER INSTALLATION

- Pliers



- Level



PARTS REQUIRED (Sold separately)

- Water Hoses (2)



- Rubber Washers (2) and Strainer Screens (2)



- Drain Hose Extension (For discharge heights from 60" - 96")

GE Appliances Parts and Accessories

Order on-line at GEApplianceparts.com today, 24 hours a day or by phone at 800.626.2002 during normal business hours.

Part Number	Accessory
PM14X10002	4 ft Rubber Water Supply Hoses
Or	
PM14X10005	4 ft Braided Metal Water Supply Hoses
WH1X2267	Rubber Washer (1) and Screen (1)
WH49X301	Drain Hose Extension (For discharge heights from 60" - 96")

NOTE: We strongly recommend the use of new water supply hoses. Hoses degrade over time and need to be replaced every 5 years to reduce the risk of hose failures and water damage.

Installation Instructions

LOCATION OF YOUR WASHER

DO NOT Install the Washer:

1. In an area exposed to dripping water or outside weather conditions. The ambient temperature should never be below 60°F (15.6°C) for proper washer operation.
2. In an area where it will come in contact with curtains or drapes.
3. On carpet. The floor **MUST** be a hard surface with a maximum slope of 1/2" per foot (1.27 cm per 30 cm). To make sure the washer does not vibrate or move, you may have to reinforce the floor.

NOTE: If floor is in poor condition, use 3/4" impregnated plywood sheet solidly attached to existing floor covering.

IMPORTANT: Minimum Installation Clearances - Alcove or Closet

- If your washer is approved for installation in an alcove or closet, there will be a label on the back of the machine describing requirements.
- Minimum clearance between washer and adjacent walls or other surfaces: 0" either side, 2" front, 3" rear. Vertical space from floor to overhead shelving, cabinets, ceiling, etc. = 60".
- Closet doors must be louvered or otherwise ventilated and have at least 60 square inches of open area. If the closet contains both a washer and a dryer, doors must contain a minimum of 120 square inches of open area.

NOTE: The clearances stated on this label are minimums. Consideration must be given to providing adequate clearances for installing and servicing.

WATER SUPPLY REQUIREMENTS

WATER SUPPLY LINES - Purge Hot and Cold water supply lines for 30 seconds prior to installation of hoses and washing machine. Ensure inlet hose screens are also clean and free of debris.

WATER PRESSURE - Must be 20 psi minimum to 120 psi maximum.

WATER TEMPERATURE - Household water heater should be set to deliver water at 120° to 150°F (50° to 66°C) TO THE WASHER when hot wash is selected.

SHUTOFF VALVES - Both hot and cold shutoff valves (faucets) should be supplied.

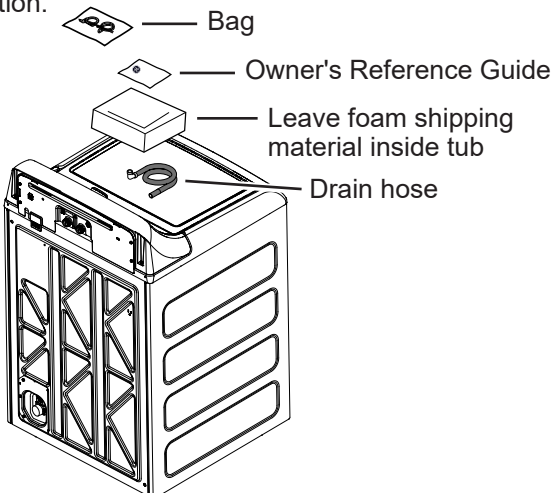
DRAIN - Water should be drained into standpipe. Discharge height **MUST NOT BE LESS THAN 30 INCHES**, and no more than 8 feet above the base of the washer. Standpipe must be 1-1/2 inches minimum inside diameter and must be open to atmosphere.

1 UNPACKING THE WASHER

After the machine is in the home, remove outside packing material/carton from washer.

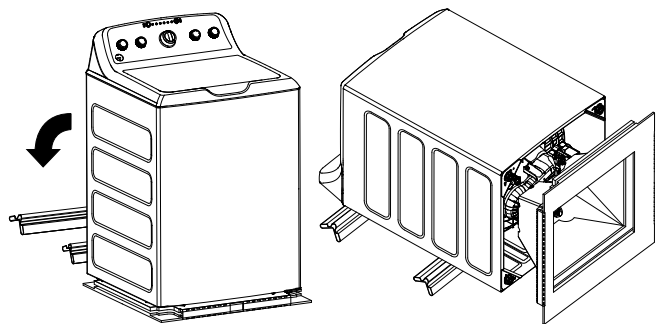
Remove bag (containing clamp, cable tie and drain hose clip), drain hose and Owner's Reference Guide from tub.

NOTE: Leave foam shipping material inside tub opening to hold tub in place during the rest of installation.



2 REMOVE THE BASE

Remove base from unit by placing foot on side of base and tipping unit back on corner post. Remove base and bring the washer back upright.



⚠ WARNING - Electrical Shock Hazard

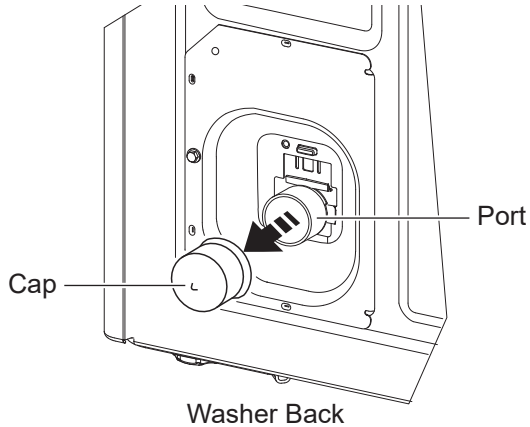
Certain internal parts are intentionally not grounded and may present a risk of electric shock only during servicing.

Service personnel – DO NOT contact the following parts while the appliance is energized: Drive Motor, Lid Lock, Water Valves, Drain Pump and Recirculation Pump.

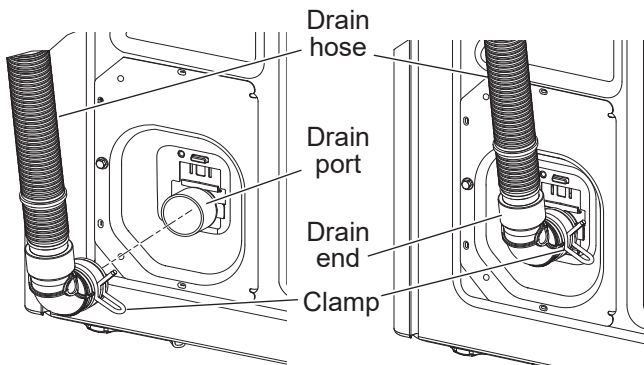
Installation Instructions

3 CONNECT DRAIN HOSE TO WASHER

Remove the cap from the drain port, if present, before installing the drain hose.



Connect drain hose to drain port on back of washer. Open clamp with pliers and slide onto hose end. Holding clamp open, push hose end onto drain port until fully seated. Release clamp between locating ribs on hose end. Outlet of hose end should be oriented vertically.

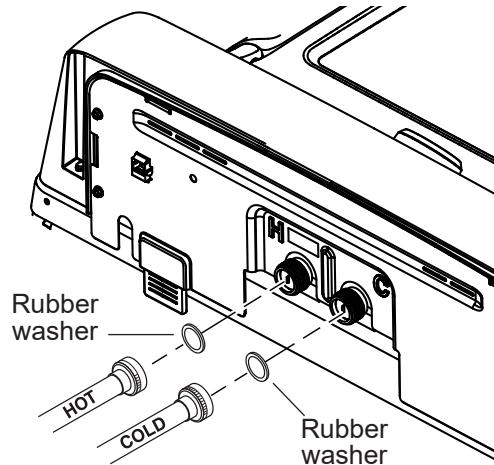


4 CONNECT WATER HOSES TO WASHER

Unplug electrical cord before installing water hoses. If not installed, install rubber washer in one end of hot water hose. Thread hot water hose onto connection labeled **H** at top rear of washer. Hand tighten and use pliers to tighten hoses between 1/8 and 1/4 turn beyond hand-tight.

If not installed, install rubber washer in one end of cold water hose **C**. Thread cold water hose onto connection labeled **C** at top rear of washer. Hand tighten and use pliers to tighten hoses between 1/8 and 1/4 turn beyond hand-tight.

Move washer as close to final location as possible, leaving room for you to make water, drain, and electrical connections to your home.



5 CONNECT WATER HOSES TO OUTLET VALVES

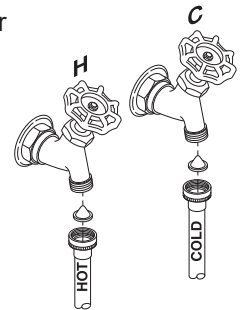
Determine which is HOT water line before attaching water hoses to faucets. Traditionally, HOT faucet is on left.

(If screen washers are not installed) With protruding part of screen toward you, install strainer screen/rubber washer into each of the free ends of two water hoses.

Connect hot water hose to hot water outlet valve of your home. Hand tighten and use pliers to tighten hoses between 1/4 and 1/2 turn beyond hand-tight. Open hot water valve.

Connect cold water hose to cold water outlet valve of your home. Hand tighten and use pliers to tighten hoses between 1/4 and 1/2 turn beyond hand-tight. Open cold water valve.

Check for leaks and drips at the hose couplings. Tighten as necessary.

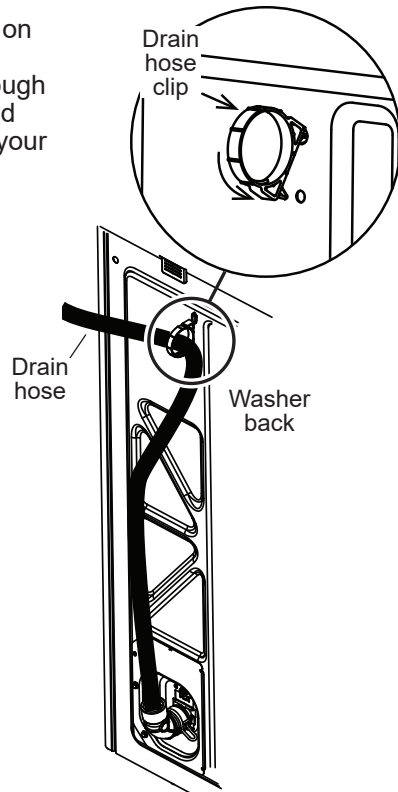


Installation Instructions

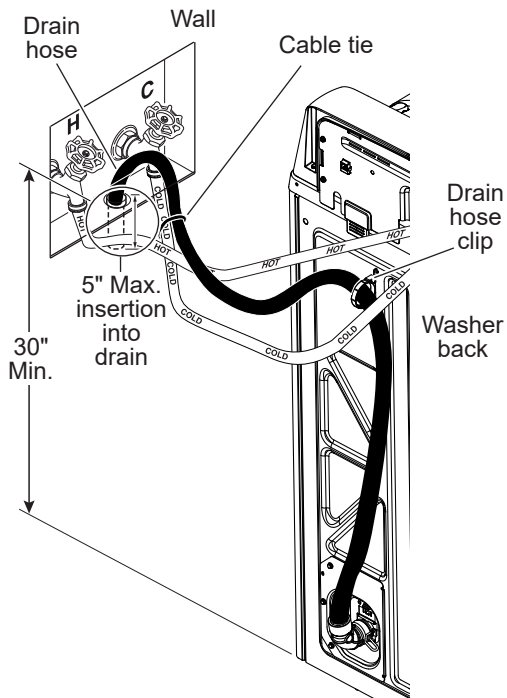
6 CONNECT TO DRAIN

Install drain hose clip on rear panel of washer. Route drain hose through clip and insert free end into drain opening of your home.

NOTE: If longer drain hose is required, order drain hose extension kit, GE Appliances part number **WH49X301**. Connect additional drain hose (contained in kit) to original hose with hose clamp (contained in kit).



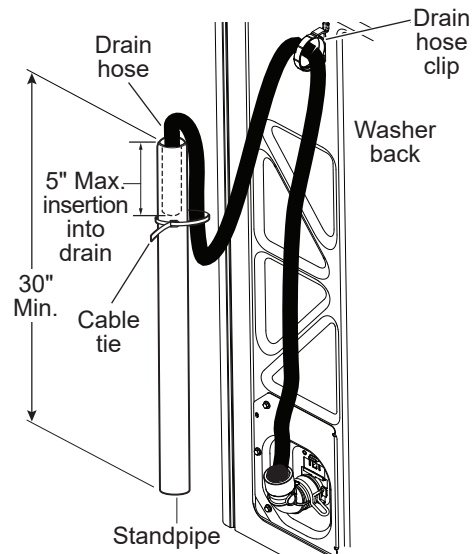
If water valves and drain are built into wall, fasten drain hose to one of the water hoses with cable tie provided.



NOTE: Placing the drain hose too far down the drain pipe can cause a siphoning action. No more than 5" of hose should be in the drain pipe. There must be an air gap around the drain hose. A snug fit can also cause a siphoning action.

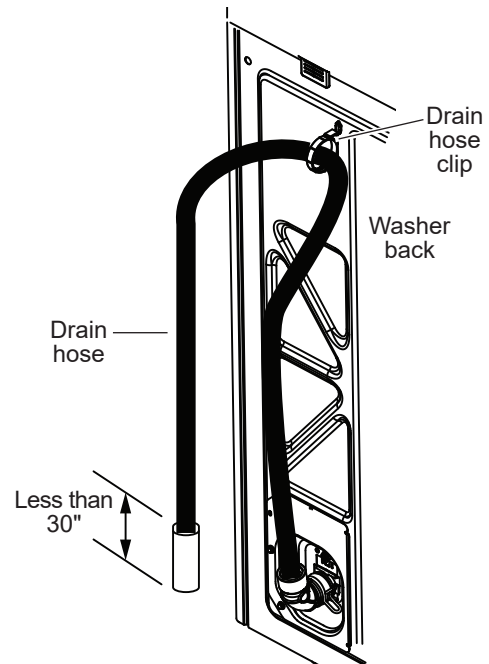
6 CONNECT TO DRAIN (Continued)

If your drain is a standpipe, fasten drain hose to standpipe with cable tie provided.



NOTE: Placing the drain hose too far down the drain pipe can cause a siphoning action. No more than 5" of hose should be in the drain pipe. There must be an air gap around the drain hose. A snug fit can also cause a siphoning action.

If drain discharge height does not meet 30" minimum height requirement, end of drain hose must be secured in drain opening of home by installer and have an air gap around hose to prevent siphoning.



NOTE: Placing the drain hose too far down the drain pipe can cause a siphoning action. No more than 5" of hose should be in the drain pipe. There must be an air gap around the drain hose. A snug fit can also cause a siphoning action.

Installation Instructions

ELECTRICAL REQUIREMENTS

⚠ WARNING - Electrical Shock Hazard

Plug into a grounded 3-prong outlet.

DO NOT remove ground prong.

DO NOT use an adapter.

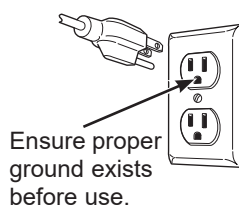
DO NOT use an extension cord.

Failure to follow these instructions can result in death, fire or electrical shock.

CIRCUIT – Individual, properly polarized and grounded 15 or 20 amp circuit breaker or time-delay fuse.

POWER SUPPLY – 2 wire plus ground, 120 Volt, single phase, 60 Hz, alternating current.

Outlet Receptacle – Properly grounded 3-prong receptacle to be located so the power cord is accessible when the washer is in an installed position. If a 2-prong receptacle is present, it is the owner's responsibility to have a licensed electrician replace it with a properly grounded 3-prong grounding type receptacle.



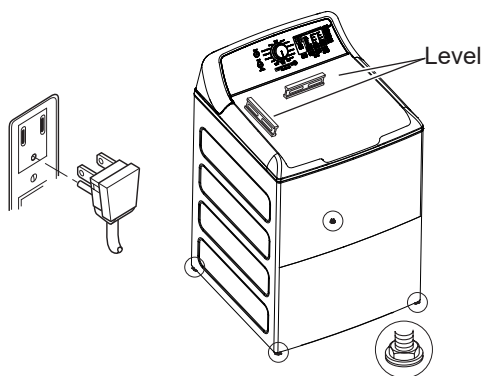
Washer must be electrically grounded in accordance with local codes and ordinances, or in the absence of local codes, with latest edition of the NATIONAL ELECTRICAL CODE, ANSI/NFPA NO. 70 or CANADIAN ELECTRICAL CODE, CSA C22.1. Check with a licensed electrician if you are not sure that the washer is properly grounded.

7 CONNECT POWER AND INSTALL

Insert plug of electrical cord into a 115V, 15- or 20-amp wall receptacle. Move washer into final position. Place level on flat top side edges of washer. Adjust all four leveling legs until washer is level left-to-right and front-to-back. Remove level.

Open tub lid. Remove and discard tub shipping material (see Step 1).

Remove plastic protector sheet from control panel face.



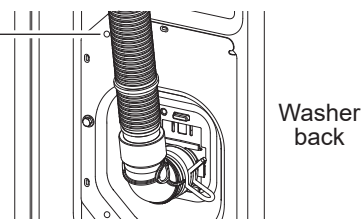
GROUNDING INSTRUCTIONS

This appliance must be grounded. In the event of malfunction or breakdown, grounding will reduce the risk of electric shock by providing a path of least resistance for electric current. This appliance is equipped with a cord having an equipment-grounding conductor and a grounding plug. The plug must be plugged into an appropriate outlet that is properly installed and grounded in accordance with all local codes and ordinances.

⚠ WARNING Improper connection of the equipment-grounding conductor can result in a risk of electrical shock. Check with a qualified electrician, or service representative or personnel, if you are in doubt as to whether the appliance is properly grounded. **DO NOT** modify the plug on the power supply cord. If it will not fit the outlet, have a proper outlet installed by a qualified electrician.

If required by local codes, an external 18 gauge or larger copper ground wire (not provided) may be added. Attach to washer cabinet with a #10-16 x 1/2" sheet metal screw (available at any hardware store) to rear of washer as illustrated.

Attach ground wire and ground screw (obtain locally)



Mobile Home Installation:

Installation must conform to Standard for Mobile Homes, ANSI A119.1 and National Mobile Home Construction and Safety Standards Act of 1974 (PL93-383).

FINAL CHECKLIST

Before starting the washer, check to make sure:

- Main power is turned on.
- The washer is plugged in.
- The water faucets are turned on.
- The unit is level and all four leveling legs are firmly on the floor.
- The shipping foam and cardboard are removed.
- The drain hose is properly tied up.
- There are no leaks at the faucet, drain line or washer.
- Remove the cap from the drain port, if present, before installing the drain hose.


Run the washer through a complete cycle.

- Check for water leaks and proper operation.
- Place these instructions in a location near the washer for future reference.

Troubleshooting Tips... Before you call for service

Problem	Possible Causes	What To Do
Small amount of water remaining in dispenser (on some models) at end of cycle	Normal dispenser operation	It is normal for a small amount of water to remain in dispenser after the cycle.
Short spray and delay after pushing the Start button	Lid was opened and closed between cycle selection and start	This is normal. See START-UP SEQUENCE in the Safety Instructions section.
Water level seems low	This is normal	Water may not cover the top level of the clothes. This is normal for this high efficiency washer.
Low water flow	Water valve screens are stopped up	Turn off the water source and remove the water connection hoses from the upper back of the washer and the water faucets. Clean both the hose screens (if so equipped) and the screens in the machine using a brush or a toothpick. Reconnect the hoses and turn the water back on. Check to ensure there are no leaks at the connections.
Water siphoning out of washer	Drain standpipe is too low or hose too far into standpipe	The drain hose must exceed 30" height at some point between the washer back and the drain pipe. Use anti-siphon clip. See the Installation Instructions .
Too many suds	Soft water	Try less detergent.
	Too much detergent	Measure your detergent carefully. Use less soap if you have soft water, a smaller load or a lightly soiled load.
	Type of detergent	Switch to High Efficiency detergent such as Tide HE Turbo™.
Water leaks	Type of detergent	Switch to High Efficiency detergent such as Tide HE Turbo™.
	Using too much detergent in washer	Use less detergent. Use less soap if you have soft water, a smaller load or a lightly soiled load.
	Fill hoses or drain hose is improperly connected	Make sure hose connections are tight at faucets and rubber washers are installed. Make sure end of drain hose is correctly inserted in and secured to drain facility.
	Household drain clogged	Check household plumbing. You may need to call a plumber.
	Drain hose rubs on wall	Make sure drain hose does not make contact with the wall. May cause excessive wear on the hose.
	Constant water pressure to fill hoses at water source	Tighten hoses at the faucets. Check condition of the fill hoses; they should be replaced every 5 years.
	Water temperature seems incorrect	Cooler water temperatures provide improved energy efficiency
Water supply is turned off or improperly connected		Turn both hot and cold faucets fully on and make sure hoses are connected to correct faucets. NOTE: Water valves are marked "H" and "C".
Water valve screens are stopped up		Turn off the water source and remove the water connection hoses from the upper back of the washer and the water faucets. Clean both the hose screens (if so equipped) and the screens in the machine using a brush or a toothpick. Reconnect the hoses and turn the water back on. Check to ensure there are no leaks at the connections.
Cool/Cold Water when selecting Hot		This is normal. The washer senses water temperature (on some models) and optimizes for best results. Cold water is added periodically when hot is selected.
House water heater is not set properly		Make sure house water heater is delivering water at 120°F–140°F (48°C–60°C).
Water pumped out before cycle is complete		Water was left in unit for 24 hours with lid closed or 15 minutes with lid open
Water won't drain	Drain hose is kinked or improperly connected	Straighten drain hose and make sure washer is not sitting on it. Top of drain outlet should be less than 8 ft (2.44 m) above floor.
Washer spins and pauses at the beginning of cycles	This is normal	The washer is sensing the load.

Troubleshooting Tips... Before you call for service

Problem	Possible Causes	What To Do
Washer pauses during wash cycle	The Soak Option was chosen	This is normal. The washer alternates between agitate and soak during these cycles to get your clothes cleaner with less wear.
	This is normal	Many cycles incorporate a series of soaks within the agitation period to get your clothes clean with less wear.
Residual powder in dispenser or clogging of dispensers	Wash water too cold or low home water pressure	Select a warmer wash temperature if possible to improve dissolving of detergent or use liquid detergent. Make sure siphon caps are free of debris and fully pressed into position. Remove and clean tray if clogging occurs.
Laundry additives dispensing too soon	Overfilling of dispensers	Do not overfill or add water to dispenser. Select Deep Rinse option when using fabric softener.
Washer pauses during spin cycle	This is normal	The washer may pause during the spin cycle to remove soapy water more efficiently.
Washer won't operate	Washer is unplugged	Make sure cord is plugged securely into a working outlet.
	Water supply is turned off	Turn both hot and cold faucets fully on.
	Lid is open—safety feature prevents agitation and spinning when lid is up	Close lid and press Start .
	Circuit breaker/fuse is tripped/blown	Check house circuit breakers/fuses. Replace fuses or reset breaker. Washer should have a separate outlet.
	Electronics need to be reset	Unplug washer, wait 2 minutes, plug back in and press Start .
	Start was not pressed	Press Start .
Detergent packet not dissolving in Laundry Pack Dispenser chamber	Wash water too cold or detergent packet type/quantity	We recommend the use of High Efficiency  laundry packs such as Tide PODS™ or Gain Flings™. When using delicates cycle, place detergent pack in the bottom of the basket as this will help break down the pack with the gentler agitation. Select a warmer wash temperature, if possible, to improve dissolving of detergent packets. Use the secondary chamber by removing the Laundry Pack Cup. Do not exceed manufacturer's recommended dosing quantity.
Unexplained time and/or settings changes	Changing options (on some models)	This is normal. Several options will change other options to maximize washer performance.
Basket seems loose	Basket moves or rotates freely	Washer basket does not have a traditional brake. Washer basket will move freely. This is normal.
Colored spots	Incorrect use of fabric softener	Check fabric softener package for instructions and follow directions for using dispenser. Make sure you have selected the Deep Rinse option. Pretreat stain and rewash using Speed Wash cycle before drying.
	Dye transfer	Sort whites or lightly colored items from dark colors.
Grayed or yellowed clothes	Detergent amount	Be sure to follow detergent manufacturer's directions.
	Hard water	Use a water conditioner or install a water softener.
	Water is not hot enough	Make sure water heater is delivering water at 120°F–140°F (48°C–60°C).
	Washer is overloaded	Loosely load clothes no higher than the top row of holes in the washer basket. For best results, load items around the outside of the basket.
	Dye transfer	Sort clothes by color. If fabric label states wash separately, unstable dyes may be indicated.
Lint or residue on clothes	Clothes are air or line dried	If you do not dry your clothes with a clothes dryer, your clothes may retain more lint.
	Incorrect sorting	Separate lint producers from lint collectors.
	Washing too long	Wash small loads for a shorter time using Light Soil setting.
	Detergent not dissolving	Rewash, next time: Try a liquid detergent; Use warmer water temperature.
	Overloading	Loosely load clothes in the washer basket. For best results, load items around the outside of the basket.
	Incorrect use of fabric softener	Check fabric softener package for instructions and follow directions for using dispenser. Make sure you have selected the Deep Rinse option.

Troubleshooting Tips... Before you call for service

Problem	Possible Causes	What To Do
Clothes too wet	No spin selected	Select a spin option.
	Incorrect cycle selected	Make sure the cycle selected matches the load you are washing. Some fabrics will feel wetter when rinsed with cold water.
	Wash load out of balance	Redistribute load in washer and run through Drain & Spin cycle.
Blinking Spin light or Spin light on at end of cycle	Out of balance condition has been detected	Allow cycle to continue and finish. If load is wet at the end of the cycle, even out load and run a Drain & Spin cycle.
Pilling	Result of normal wear on poly-cotton blends and fuzzy fabrics	While this is not caused by the washer, you can slow the pilling process by washing garments inside out.
Snags, holes, tears, rips or excessive wear	Pins, snaps, hooks, sharp buttons, belt buckles, zippers and sharp objects left in pockets	Fasten snaps, hooks, buttons and zippers. Remove loose items like pins, objects in pockets and sharp buttons. Turn knits (which snag easily) inside out.
	Undiluted chlorine bleach	Check bleach package instructions for proper amount. Never add undiluted bleach to wash or allow clothes to come in contact with undiluted bleach.
	Chemicals like hair bleach or dye, permanent wave solution	Rinse items that may have chemicals on them before washing. Use Speed Wash cycle with Extra Rinse option.
Wrinkling	Incorrect wash and dry cycles	Match Cycle selection to the type of fabric you are washing (especially for easy care loads).
	Improper sorting	Avoid mixing heavy items (like jeans) with light items (like blouses). Try a fabric softener.
	Overloading	Loosely load clothes in the washer basket.
	Repeated washing in water that is too hot	Wash in warm or cold water.
Sounds	Possible Causes	Reason
“Clicking”	Shifter mechanism is engaging or disengaging	The drive system will engage at the start of agitate and disengage when agitate is complete. This occurs multiple times during the wash.
Back and forth “swoosh”	Electric motor reversing direction	This sound is the motor rotating back and forth to clean your laundry.
“Clicking” behind Control during fill	Automatic Temperature Control Valve	Two valves mix cold and hot water. The “clicking” is when either valve turns on or off to raise or lower the fill water temperature.
Water flow changes during fill	Automatic Temperature Control Valve	Two valves mix cold and hot water. The “clicking” is when either valve turns on or off to raise or lower the fill water temperature.
Motor sounds during spin	Motor ramping up/down during spin cycle	The motor will speed up incrementally during the spin cycle. When spin is complete, it will coast until it stops.
“Humming”	Water drain pump	The drain pump will make a humming sound when pumping out water after agitation stops and continue until spin is complete.
	Drive motor	The drive motor will make a “humming” sound during the wash and spin phases of the cycle.
“Gurgling”	Water drain pump	When the pump starts drawing in air, it starts to gurgle. The washer should then begin spinning and the sound will continue until it is done spinning.
Water “swishing”	Washing process	Water swishing while the unit is agitating is normal, especially with smaller loads.
Washer rocking/moving	Washer leveling legs uneven	To level the washer, adjust the leveling legs by rotating the individual leg in the proper direction for up or down.
“Squeaking” sound	Washer not level and rubbing on cabinet	To level the washer, adjust the leveling legs by rotating the individual leg in the proper direction for up or down.

Washer sounds that may be different from your prior washer:

Clicks, water flowing, gear sounds followed by pauses, and electric hum sounds are all part of the normal wash cycle.

To listen and watch videos of normal washer operation, please go to <http://products.geappliances.com/appliance/gea-support-search-content?contentid=23061> or scan the QR code.



GE Appliances Washer Limited Warranty

LIMITED WARRANTY

GEAppliances.com

All warranty service is provided by our Factory Service Centers, or an authorized Customer Care® technician. To schedule service online, visit us at geappliances.com/service, or call GE Appliances at 800.GE.CARES (800.432.2737). Please have your serial number and your model number available when calling for service.

Servicing your appliance may require the use of the onboard data port for diagnostics. This gives a GE Appliances factory service technician the ability to quickly diagnose any issues with your appliance and helps GE Appliances improve its products by providing GE Appliances with information on your appliance. If you do not want your appliance data to be sent to GE Appliances, please advise your technician not to submit the data to GE Appliances at the time of service.

For the period of	We will replace
One year From the date of the original purchase	Any factory specified part of the washer which fails due to a defect in materials or workmanship. During this limited one-year warranty , we will also provide, free of charge , all labor and related service to replace the defective part.
Ten years From the date of the original purchase	The motor , if it should fail due to a defect in materials or workmanship. During this additional nine-year limited warranty , you will be responsible for any labor and related service costs.

What is not covered:

- Service trips to your home to teach you how to use the product.
- Improper installation, delivery or maintenance.
- Failure of the product if it is abused, misused, or used for other than the intended purpose or used commercially.
- Replacement of house fuses or resetting of circuit breakers.
- Products which are not defective or broken, or which are working as described in the Owner's Manual.
- Damage to the product caused by accident, fire, floods or acts of God.
- Incidental or consequential damage caused by possible defects with this appliance.
- Defects or damage due to operation in freezing temperatures.
- Damage caused after delivery.
- Product not accessible to provide required service.

EXCLUSION OF IMPLIED WARRANTIES

Your sole and exclusive remedy is product repair as provided in this Limited Warranty. Any implied warranties, including the implied warranties of merchantability or fitness for a particular purpose, are limited to one year or the shortest period allowed by law.

In the United States:

This limited warranty is extended to the original purchaser and any succeeding owner for products purchased for home use within the USA. If the product is located in an area where service by a GE Appliances Authorized Servicer is not available, you may be responsible for a trip charge or you may be required to bring the product to an Authorized GE Appliances Service location for service. In Alaska, the limited warranty excludes the cost of shipping or service calls to your home.

Some states do not allow the exclusion or limitation of incidental or consequential damages. This limited warranty gives you specific legal rights, and you may also have other rights which vary from state to state. To know what your legal rights are, consult your local or state consumer affairs office or your state's Attorney General.

Warrantor: GE Appliances, a Haier company, Louisville, KY 40225

In Canada:

This limited warranty is extended to the original purchaser and any succeeding owner for products purchased in Canada for home use within Canada. If the product is located in an area where service by a GE Appliances Authorized Servicer is not available, you may be responsible for a trip charge or you may be required to bring the product to an Authorized GE Appliances Service location.

Some provinces do not allow the exclusion or limitation of incidental or consequential damages. This limited warranty gives you specific legal rights, and you may also have other rights which vary from province to province. To know what your legal rights are, consult your local or provincial consumer affairs office.

Warrantor: MC Commercial Inc., Burlington, ON, L7R 5B6

Extended Warranties: Purchase a GE Appliances extended warranty and learn about special discounts that are available while your warranty is still in effect. You can purchase it online anytime at geappliances.com/extended-warranty

or call 800.626.2224 during normal business hours. GE Appliances Service will still be there after your warranty expires.

Staple your receipt here. Proof of the original purchase date is needed to obtain service under the warranty.

Consumer Support

GE Appliances Website

Have a question or need assistance with your appliance? Try the GE Appliances Website 24 hours a day, any day of the year! You can also shop for more great GE Appliances products and take advantage of all our on-line support services designed for your convenience. In the US: GEAppliances.com

Register Your Appliance

Register your new appliance on-line at your convenience! Timely product registration will allow for enhanced communication and prompt service under the terms of your warranty, should the need arise. You may also mail in the pre-printed registration card included in the packing material. In the US: GEAppliances.com/register

Schedule Service

Expert GE Appliances repair service is only one step away from your door. Get on-line and schedule your service at your convenience any day of the year. In the US: GEAppliances.com/service or call 800.432.2737 during normal business hours.

Extended Warranties

Purchase a GE Appliances extended warranty and learn about special discounts that are available while your warranty is still in effect. You can purchase it on-line anytime. GE Appliances Services will still be there after your warranty expires. In the US: GEAppliances.com/extended-warranty or call 800.626.2224 during normal business hours.

Remote Connectivity

For assistance with wireless network connectivity (for models with remote enable), visit our website at GEAppliances.com/connect or call 800.220.6899 in the US.

Parts and Accessories

Individuals qualified to service their own appliances can have parts or accessories sent directly to their homes (VISA, MasterCard and Discover cards are accepted). Order on-line today 24 hours every day. In the US: GEApplianceparts.com or by phone at 877.959.8688 during normal business hours.

Instructions contained in this manual cover procedures to be performed by any user. Other servicing generally should be referred to qualified service personnel. Caution must be exercised, since improper servicing may cause unsafe operation.

Contact Us

If you are not satisfied with the service you receive from GE Appliances, contact us on our Website with all the details including your phone number, or write to:

In the US: General Manager, Customer Relations | GE Appliances, Appliance Park | Louisville, KY 40225
GEAppliances.com/contact



LAVEUSES

MESURES DE SÉCURITÉ4

UTILISATION DE LA LAVEUSE
 Comment démarrer 6
 Chargement16
 Communication d'appareils17

ENTRETIEN ET NETTOYAGE17

INSTALLATION D'INSTALLATION..... 19

CONSEILS DE DÉPANNAGE..... 24

GARANTIE LIMITÉE27

SOUTIEN AU CONSOMMATEUR 28

GUIDE DE L'UTILISATEUR ET INSTRUCTIONS D'INSTALLATION

GTW720
 GTW725
 GTW840
 GTW845

Inscrivez ici les numéros de modèle et de série :

Modèle # _____

Série # _____

Vous pouvez les trouver sous le couvercle de la laveuse.

GO16

NOUS VOUS REMERCIONS D'ACCUEILLIR GE APPLIANCES CHEZ VOUS

Que vous ayez grandi avec GE Appliances ou qu'il s'agisse de votre première acquisition, nous sommes heureux de vous accueillir dans notre famille.

Nous sommes fiers du savoir-faire, de l'innovation et de l'esthétique qui composent chaque appareil GE Appliances, et nous pensons que vous le serez aussi. Dans cette optique, nous vous rappelons que l'enregistrement de votre électroménager vous assure la communication de renseignements importants sur le produit et la garantie lorsque vous en avez besoin.

Enregistrez votre électroménager GE en ligne dès maintenant. Des sites Web et des numéros de téléphone utiles figurent dans la section Soutien au consommateur de ce manuel d'utilisation. Vous pouvez aussi poster la fiche de garantie préimprimée incluse dans l'emballage.



CONSIGNES DE SÉCURITÉ IMPORTANTES

LIRE TOUTES LES CONSIGNES AVANT D'UTILISER L'APPAREIL

▲ AVERTISSEMENT

Pour réduire les risques de décès, d'incendie, d'explosion, de choc électrique ou de blessures lorsque vous utilisez votre appareil, suivez les mesures de sécurité de base, notamment :

- Lisez toutes les instructions avant d'utiliser l'appareil.
- Suivez toutes les instructions et avertissements de soin des tissus pour éviter que les vêtements fondent ou des dommages à l'appareil.
- **NE** nettoyez et **NE** séchez **PAS** d'articles qui ont été nettoyés, lavés, trempés ou tachés avec de l'essence, du solvant pour nettoyage à sec ou d'autres produits combustibles ou substances explosives, car ces derniers peuvent dégager des vapeurs qui pourraient s'enflammer ou exploser.
- **N'ajoutez PAS** de l'essence, du solvant pour nettoyage à sec ou d'autres produits combustibles ou substances explosives à l'eau de lavage. Ces substances peuvent dégager des vapeurs qui pourraient s'enflammer ou provoquer une explosion.
- Dans certaines conditions, de l'hydrogène peut se former dans un circuit d'eau chaude qui n'a pas été utilisé pendant deux semaines ou plus. L'HYDROGÈNE EST UN GAZ EXPLOSIF. Si le circuit d'eau chaude n'a pas été utilisé pendant une telle période, ouvrez tous les robinets d'eau chaude et laissez l'eau couler pendant plusieurs minutes avant d'utiliser votre laveuse. Ainsi, l'hydrogène accumulé sera évacué du système. Ce gaz étant inflammable, **NE** fumez **PAS** et n'utilisez pas de flamme nue pendant cette opération.
- **NE** laissez **PAS** les enfants jouer sur ou à l'intérieur de cet appareil. La présence d'enfants près de cet appareil lorsqu'il est en marche doit faire l'objet d'une étroite supervision. Avant de mettre la laveuse au rebut ou hors service, retirez la porte ou le couvercle. Le non-respect de ces instructions peut entraîner le décès ou des blessures.
- **NE** mettez **PAS** la main dans l'appareil lorsque le tambour ou l'agitateur est en mouvement pour éviter d'être happé accidentellement.
- Pour les articles imperméables, résistants à l'eau ou volumineux, utilisez seulement le cycle Bulky Items (articles volumineux) (ou Delicates [tissus délicats]). N'utilisez **PAS** d'autres cycles pour ces articles. L'utilisation d'autres cycles peut causer des vibrations excessives et occasionner des blessures ou des dommages à la laveuse, aux murs ou au plancher. Ne mélangez **PAS** des articles imperméables avec des articles qui ne le sont pas.
- **N'installez** ou n'entrez pas **PAS** cet appareil dans un endroit où il sera exposé aux intempéries.
- **NE** modifiez **PAS** les commandes, ne réparez ou ne remplacez pas de pièce de cet appareil et ne tentez pas d'effectuer une réparation, sauf si cette procédure est recommandée expressément dans les instructions d'entretien de l'utilisateur ou dans les instructions de réparation de l'utilisateur et que vous possédez les connaissances et les aptitudes requises pour le faire.
- **N'utilisez PAS** cet appareil s'il est endommagé, s'il fonctionne mal, s'il est partiellement démonté ou si certaines de ses pièces manquent ou sont cassées (y compris le cordon d'alimentation ou la fiche).
- Débranchez l'appareil ou fermez son disjoncteur avant de procéder à l'entretien. Appuyer sur le bouton d'alimentation **Power** de l'appareil **NE** le déconnecte **PAS** de l'alimentation.
- Consultez la section sur le « BRANCHEMENT ÉLECTRIQUE » des instructions d'installation pour obtenir les procédures de mise à la terre.

LIRE ET CONSERVEZ CES DIRECTIVES

CONSIGNES DE SÉCURITÉ IMPORTANTES

LIRE TOUTES LES CONSIGNES AVANT D'UTILISER L'APPAREIL

INSTALLATION APPROPRIÉE

Cette laveuse doit être installée conformément aux instructions d'installation avant d'être utilisée.

- Assurez-vous que le boyau d'eau chaude est raccordé au robinet « H » et que le boyau d'eau froide est raccordé au robinet « C ».
- Installez ou entreposez l'appareil à un endroit où il ne sera exposé ni à des températures en dessous du point de congélation ni aux intempéries; l'appareil pourrait subir des dommages permanents et la garantie serait annulée.
- Mettez la laveuse à la terre conformément aux codes et règlements en vigueur. Suivez les instructions détaillées de la section « Instructions d'installation ».
- Assurez-vous que la laveuse est mise de niveau correctement et que ses pieds sont réglés de façon à stabiliser l'appareil.
- Une rallonge de tuyau d'évacuation optionnelle est recommandée pour les hauteurs d'évacuation allant de 60 à 96 po (152,4 à 243,8 cm).
- GE Appliances recommande fortement d'utiliser les pièces spécifiées du fabricant. Une liste de boyaux manufacturés disponibles pour l'achat est indiquée. Ces boyaux ont été fabriqués et testés afin de répondre aux spécifications de GE Appliances.
- GE Appliances recommande fortement d'utiliser de nouveaux boyaux d'alimentation en eau. Les boyaux se dégradent avec le temps et doivent être remplacés tous les cinq ans afin de réduire le risque de bris de boyau et de dégâts d'eau.

SÉQUENCE DE DÉMARRAGE

- À chaque démarrage ou redémarrage suite à l'ouverture ou la fermeture du couvercle, la laveuse ouvre le robinet d'eau froide durant deux courtes périodes suivies d'une pause de 10 secondes avant de poursuivre. Si le couvercle est ouvert pendant cette période, la laveuse effectuera une pause. Il vous faudra appuyer sur le bouton **Start** (départ) pour redémarrer le programme.

SÉQUENCE DE VIDANGE AUTOMATIQUE

- L'appareil se vidangera automatiquement à chaque fois que le couvercle est laissé ouvert pour plus de 15 minutes et que de l'eau est présente.
- L'appareil se vidangera automatiquement s'il est laissé en état de pause avec couvercle fermé pour plus de 24 heures et que de l'eau est présente.
- L'appareil se vidangera automatiquement après la distribution d'eau en mode **Water Station** (eau stationnaire) une fois le bouton de sélection tourné à un autre cycle.

LORSQUE L'APPAREIL N'EST PAS UTILISÉ

- Fermez les robinets d'eau pour réduire les fuites en cas de tuyau cassé. Vérifiez l'état des tuyaux de remplissage. GE Appliances recommande de les remplacer tous les 5 ans.

PIÈCES ET ACCESSOIRES

Consultez votre annuaire local pour un détaillant de pièces autorisé ou appelez-nous au **1-800-661-1616**.

Numéro de pièce	Accessoire
PM14X10002	Boyaux d'alimentation en eau en caoutchouc de 4 pi (1,2 m)
Ou	
PM14X10005	Boyaux d'alimentation en eau de type tressé de 4 pi (1,2 m)
WH49X301	Rallonge de tuyau d'évacuation
PM7X1	Plateau de plancher pour laveuse

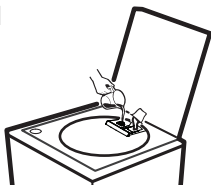
LIRE ET CONSERVEZ CES DIRECTIVES

Comment démarrer

⚠ AVERTISSEMENT Pour réduire le risque d'incendie, de choc électrique ou de blessure, lisez les **IMPORTANTES CONSIGNES DE SÉCURITÉ** avant de faire fonctionner cet appareil.

Les caractéristiques et l'apparence de la laveuse montrée dans ce manuel peuvent varier selon le modèle.

Étape 1



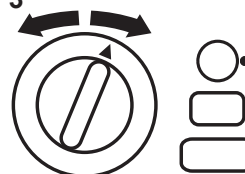
- Ajoutez de l'assouplissant dans le distributeur d'assouplissant. **IMPORTANT** : Pour l'utilisation du détergent, voyez la section relative au distributeur de ce manuel concernant votre modèle.
- Si vous utilisez des sachets de détergent, ajoutez-les dans le godet de distribution pour sachets de détergent (certains modèles) ou placez-les sur le fond du panier de lavage avant d'ajouter les vêtements. Nous recommandons l'utilisation de sachets de détergent à haute efficacité tels que Tide PODS™ ou Gain Flings™.

Étape 2



- Chargez le linge sans le tasser en le répartissant autour de l'agitateur ou l'infusor. Charger trop de linge peut avoir un impact négatif sur la performance de lavage. Consultez la page 16 pour obtenir des suggestions de chargement.
- Si vous n'utilisez pas un distributeur, ajoutez la quantité de détergent recommandée par le fabricant sur le dessus de la brassée après avoir ajouté les vêtements. Nous recommandons l'utilisation de détergents à haute efficacité tels que Tide HE Turbo™ dans votre laveuse éconergétique.

Étape 3

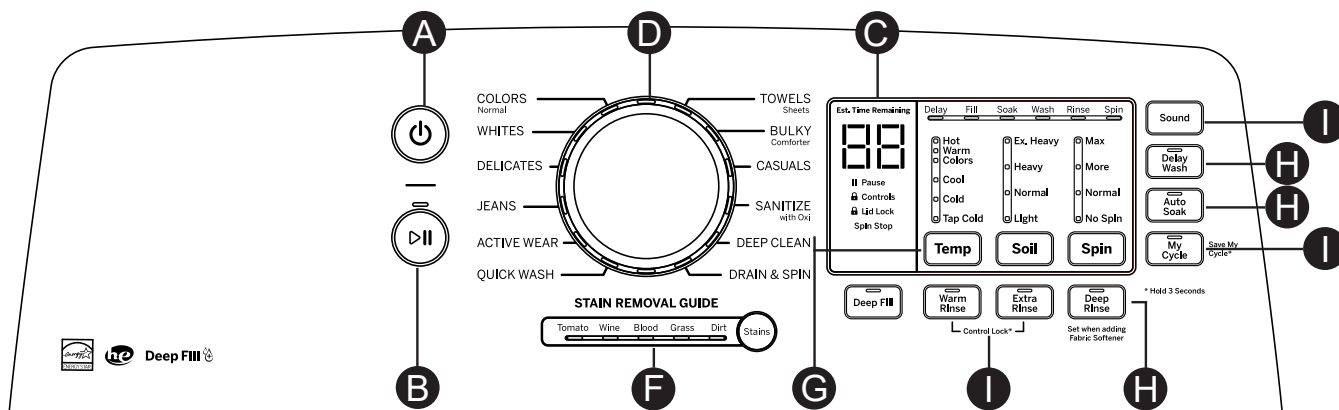
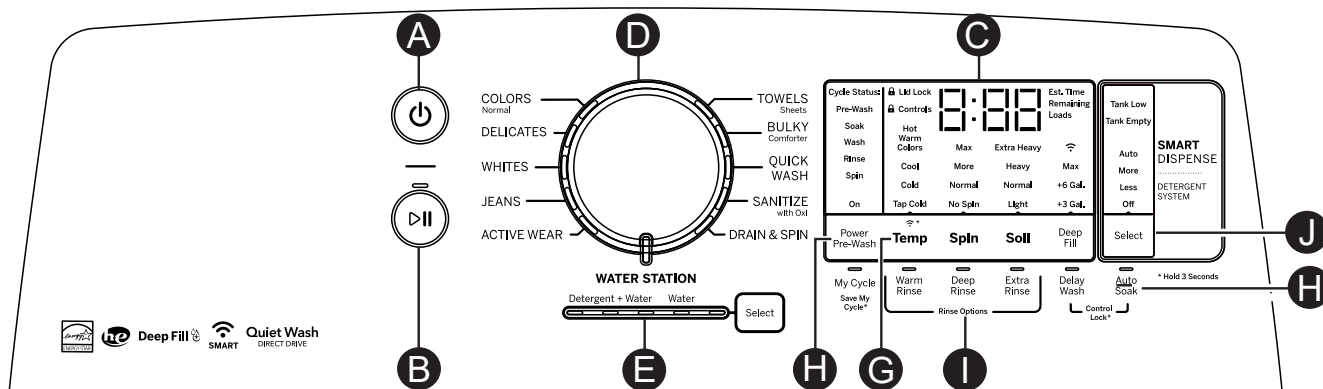


- Fermez le couvercle. **REMARQUE** : La laveuse ne démarrera pas avec le couvercle ouvert dans le cycle Bulky Items (Articles volumineux).
- Sélectionnez un programme de lavage.
- Sélectionnez les options de lavage, y compris Deep Rinse (rinçage en profondeur) lors de l'utilisation d'un assouplissant.
- Sélectionnez des options.

Étape 4



- Appuyez sur Start (départ).



A Power (alimentation)
Appuyez pour activer l'affichage. Si l'affichage est activé, appuyez sur cette touche pour mettre la laveuse en mode veille.
REMARQUE : L'alimentation électrique de l'appareil n'est pas coupée lorsque vous appuyez sur **Power** (alimentation).

Comment démarrer

B Start/Pause (départ/pause)

Appuyez sur **Start** (départ) pour lancer le programme. **REMARQUE** : À moins que le cycle **Bulky Items** (articles volumineux) ne soit sélectionné, le couvercle doit être fermé pour que la laveuse puisse démarrer le cycle. Si le couvercle est ouvert, « Lid » (couvercle) défile sur l'affichage. Pendant la phase de détection de charge du cycle, le couvercle se verrouille et le mot « SEnSing » (détection) défilera sur l'écran. Une fois la détection de charge terminée, le couvercle se déverrouille.

Une pression sur **Pause** déverrouillera le couvercle (s'il est verrouillé à ce moment), le programme en pause et le voyant **Start** (départ) clignotera. Pour relancer le programme, appuyez de nouveau sur la touche **Start** (départ). S'il reste de l'eau dans la laveuse, sélectionnez le programme **Drain & Spin** (drainer et essorer) pour évacuer l'eau et la vidanger. **REMARQUE** : L'appareil annule automatique son fonctionnement et vidange l'eau lorsque celle-ci est présente et que le couvercle est laissé ouvert durant plus de 15 minutes, ou si l'appareil est laissé en état de pause durant 24 heures. Sélectionnez le cycle et appuyez sur **Start** (démarrer) pour commencer un nouveau cycle.

C Voyants d'affichage et de progression

Affichage : La durée restante **estimée** avant la fin du programme s'affiche. **REMARQUE** : La durée du programme est affectée par la durée de remplissage de la laveuse. Cela dépend de la pression de l'alimentation en eau de votre domicile. La taille de la brassée influe aussi d'une manière significative sur la durée du cycle, les plus volumineuses prenant davantage de temps.

De plus, l'état de progression de la laveuse défile à l'écran :

- **bALAnCIng (rééquilibrage)** : Au début du programme de rééquilibrage visant à mieux répartir la charge. S'arrête une fois le rééquilibrage effectué.
- **dELAY (différé)** : Quand la fonction **Delay Wash (lavage différé)** est sélectionnée. Remplacé par la durée estimée lorsque le programme débute.
- **End (fin)** : Fin du programme actuel.
- **FILL (remplissage)** : « FILL » (remplissage) défilera sur l'écran pendant les premières 45 secondes du remplissage, après quoi s'affiche une estimation de la durée du cycle.
- **H2O SUPPLY (alimentation en eau)** : Il n'est pas possible de détecter le niveau d'eau (les robinets sont potentiellement fermés).
- **Lid (couvercle)** : Arrêt du programme en raison de l'ouverture du couvercle. Fermez celui-ci.
- **SEnSing (détection de la charge)** : Détection d'une condition de déséquilibre, d'articles imperméables, ou de la taille et du type de brassée avant et durant le remplissage (normal).
- **PAUSE** : Programme mis en cause suite à l'utilisation du bouton **Start/Pause** (départ/pause) et de la mise en **Pause** de la laveuse. Appuyez de nouveau sur le bouton **Start** (départ) pour relancer le programme.

Voyants de progression du programme : Il indique si la laveuse est en mode **Pre-wash** (Prélavage), **Delay** (différé), **Fill** (remplissage), **Soak** (trempage), **Wash** (lavage), **Rinse** (rinçage) ou **Spin** (essorage). **REMARQUE** : Les voyants d'état du cycle varient selon le modèle.

Si une condition de déséquilibre est détectée par la laveuse, le voyant d'essorage (Spin) clignotera pendant le restant du cycle et restera allumé pendant une courte période de temps après que le cycle soit terminé. Lorsque cela se produit, la laveuse prend des mesures pour corriger la condition de déséquilibre et de terminer le cycle normalement. Dans certains cas, il est possible que la laveuse ne puisse pas être en mesure d'équilibrer la charge et essorer à pleine vitesse. Si vous remarquez que la charge est plus humide que normalement à la fin du cycle, répartissez la charge uniformément dans le panier de lavage et commencez un cycle de **Drain & Spin** (drainer et essorer).

Les voyants de progression des fonctions indiquent ce qui suit (consultez les sections **F** et **G** pour plus de détails) :

- || **Pause** - S'affiche lorsque la laveuse se met en pause entre les cycles.
- 🔒 **Controls** (Les contrôles) - La laveuse est verrouillée - le voyant clignotera une fois si vous appuyez sur un bouton ou si vous tournez le bouton de sélection de programme.
- 🔒 **Lid Lock** (Le couvercle est verrouillé) - Consultez la section **Control Lock** (verrouillage des commandes).
- 📶 **WiFi** (certains modèles) - S'affichera lorsque la laveuse est connectée au réseau WiFi. Clignotera lorsque vous tentez de connecter l'appareil au réseau WiFi de votre domicile.

Spin Stop (Arrêt de l'essorage) – Signale que le tambour est sur le point de s'immobiliser suite à un essorage. Le couvercle ne se déverrouillera que si le tambour s'est totalement immobilisé.

Indicateur d'aide au consommateur

Votre laveuse est équipée d'un Indicateur d'aide au consommateur (IAC). L'IAC est notre façon de communiquer une solution simple dans certaines situations où un appel de service n'est pas nécessaire. Le tableau ci-dessous décrit les messages utiles qui peuvent défiler sur votre affichage lorsque vous retournez pour laver une autre charge. Ces messages présentent des solutions simples que vous pouvez exécuter rapidement.

Spin (Une lumière clignotante de spin)	Si une condition de déséquilibre est détectée par la laveuse, le voyant d'essorage (Spin) clignotera pendant le restant du cycle et restera allumé pendant une courte période de temps après que le cycle soit terminé. Lorsque cela se produit, la laveuse prend des mesures pour corriger la condition de déséquilibre et de terminer le cycle normalement. Dans certains cas, il est possible que la laveuse ne puisse pas être en mesure d'équilibrer la charge et essorer à pleine vitesse. Si vous remarquez que la charge est plus humide que normalement à la fin du cycle, répartissez la charge uniformément dans le panier de lavage et commencez un cycle de Drain & Spin (drainer et essorer).
"H2O SUPPLY" (Alimentation d'eau dans la laveuse)	Vérifiez l'alimentation d'eau de votre domicile. Avez-vous oublié d'ouvrir un ou les deux robinets d'admission d'eau après l'installation ou au retour de vacances? Aussitôt que le message commence à défiler, la laveuse lance une période de verrouillage de 4 minutes. Les commandes de la laveuse ne répondront pas durant cette période ni ne pourront être changées. Après 4 minutes, vous pouvez redémarrer votre cycle. Si vous tentez d'outrepasser la période de verrouillage en débranchant la laveuse, la minuterie de 4 minutes se mettra en marche de nouveau.
"CAnCELED" (Annulé)	"CAnCELED" (Annulé) peut défiler sur l'affichage si la machine a été mise en pause pendant plus de 24 heures ou si la machine s'est arrêtée par elle-même en raison de certaines erreurs avant que le cycle soit fini. Dès que le message commence à défiler, la laveuse va initier une période de verrouillage « lock-out » pour une durée de 4 minutes. Les commandes de la laveuse ne répondront pas (ni ne pourront être changées) durant cette période. Après les 4 minutes, vous pouvez redémarrer votre cycle. Si vous tentez d'outrepasser la période de verrouillage en débranchant la laveuse, la minuterie de 4 minutes se mettra de nouveau en marche. Si le problème persiste appelez 800.561.3344 pour le service.
"Lid" (Couvercle)	"Lid" (Couvercle) sera affiché sur l'écran si 3 cycles ont été commencés sans ouvrir le couvercle. La laveuse ne commencera pas un autre cycle jusqu'à ce que le couvercle sera ouvert. Essayez d'ouvrir, fermez le couvercle et commencez un nouveau cycle. Si le problème persiste, appelez 800.561.3344 pour le service.

Comment démarrer

D Programmes de lavage - Bouton de sélection de programme

Le programme de lavage commande le type de processus de lavage. Le bouton de sélection de programme peut être tourné vers la droite ou la gauche. La rotation du bouton de sélection de programme après le début d'un programme arrête la laveuse et règle le programme/les options sur le nouveau programme sélectionné. Appuyez sur **Start** (départ) pour lancer le nouveau programme sélectionné.

Le tableau ci-dessous vous aidera à apparier les articles à laver avec les meilleurs réglages des cycles de lavage. Pour un rendement optimal, sélectionnez le cycle qui s'approche le plus des articles à laver.

Les sélections et les options en **gras** sont les réglages du cycle recommandés. Certains cycles et options ne sont pas offerts sur tous les modèles.

Articles à laver	Cycle	Temp. Lavage	Degré saleté	Sélection essorage	Options disponibles	Description du cycle
Cycle pour une utilisation normale, régulière ou typique pour le lavage jusqu'à une charge complète de vêtements de coton normalement sales.	Couleurs	Très chaude Chaude Couleurs Fraîche Froide Froide du robinet	Extrém. sale Très sale Normal Légèrement	Max. Plus Normal Aucun essorage	Guide de détachage Rinçage à l'eau chaude Trempeage automatique Rinçage en profondeur Lavage différé Rinçage supplémentaire Prélavage puissant	Cycle pour une utilisation normale, régulière ou typique pour le lavage jusqu'à une charge complète de vêtements de coton normalement sales. Choisissez les options de degré de saleté Très sale ou Extrêmement sale et les températures Chaude ou Très chaude selon la charge de vêtements et le degré de nettoyage à obtenir. Comprend des périodes de remplissage et de lavage en plusieurs phases afin de procurer un traitement optimal des tissus.
Vêtements de loisir, vêtements de bureau légèrement sales.	Vête-ments de loisir	Très chaude Chaude Couleurs Fraîche Froide Froide du robinet	Extrém. sale Très sale Normal Légèrement	Max/Extra Normal	Guide de détachage Remplissage profond Trempeage automatique Rinçage en profondeur Rinçage n ^o . 2 Prélavage puissant	Cycle de lavage conçu pour l'entretien des vêtements de loisir ou de bureau.
Pour la lingerie fine et les tissus à entretien spécial, légèrement à sales.	Tissus délicats	Très chaude Chaude Couleurs Fraîche Froide Froide du robinet	Extrém. sale Très sale Normal Légèrement	Max. Plus Normal Aucun essorage	Guide de détachage Remplissage profond Rinçage à l'eau chaude Trempeage automatique Rinçage en profondeur Lavage différé Rinçage supplémentaire Prélavage puissant	Utilise une séquence d'agitation « tri-pulse » exclusive très délicate et une vitesse d'essorage faible pour procurer un traitement spécial aux tissus délicats. Il est recommandé de placer les articles très délicats ou petits dans des sacs en filet avant le lavage.
Vêtements de sport de saleté modérée à légère de tissus techniques et synthétiques.	Tenue active	Très chaude Chaude Couleurs Fraîche Froide Froide du robinet	Extrém. sale Très sale Normal Légèrement	Max. Plus Normal Aucun essorage	Guide de détachage Remplissage profond Rinçage à l'eau chaude Trempeage automatique Rinçage en profondeur Lavage différé Rinçage supplémentaire Prélavage puissant	Cycle conçu pour l'entretien des tenues actives, des vêtements de sport et des tissus techniques de saleté modérée à légère. Comprend une période de lavage en deux phases afin de bien traiter la saleté et les odeurs corporelles. Utilisez le cycle Heavy Duty (Linge résistant) pour les vêtements de sport très sales fabriqués de tissus résistants.
Petites charges d'articles légèrement sales dont on a un besoin pressant.	Lavage rapide	Très chaude Chaude Couleurs Fraîche	Extrém. sale Très sale Normal Légèrement	Max. Plus Normal Aucun essorage	Guide de détachage Remplissage profond Rinçage à l'eau chaude Trempeage automatique Rinçage en profondeur Lavage différé Rinçage supplémentaire Prélavage puissant	Utilise une séquence de brassage plus intense et une période de lavage accélérée de nettoyer les petites charges légèrement sales le plus rapidement possible.
Charge d'articles mouillés. Pour les articles qui n'ont besoin que de rinçage, utilisez ce cycle avec l'option Deep Rinse (Rinçage en profondeur).	Drainer et essorer			Max. Plus Normal Aucun essorage	Rinçage en profondeur Rinçage supplémentaire	Utilise un essorage à haute vitesse pour extraire l'eau des articles mouillés. Pour les articles qui doivent être rincés, utilisez ce cycle avec l'option Deep Rinse (Rinçage en profondeur).

Comment démarrer

Articles à laver	Cycle	Temp. Lavage	Degré saleté	Sélection essorage	Options disponibles	Description du cycle
Articles de couleur foncée très sales.	Désinfecter avec Oxi*	Chaude	Extrém. sale	Max. Plus	Remplissage profond Rinçage à l'eau chaude Trempe automatique Rinçage en profondeur Lavage différé Rinçage supplémentaire	Ce cycle utilise un remplissage d'eau initial plus bas pour procurer une désinfection très concentrée à haute température suivie d'une étape de lavage pour vêtement très sale. Une purge par pompe et un rinçage en profondeur sont inclus pour retirer les contaminants. Voyez les renseignements supplémentaires et les certifications ci-dessous.
Jeans de saleté modérée à légère. Pour les jeans de travail très sales, utilisez le cycle Heavy Duty (Linge résistant).	Jeans	Très chaude Chaude Couleurs Fraîche Froide Froide du robinet	Extrém. sale Très sale Normal Légèrement	Max. Plus Normal Aucun essorage	Guide de détachage Remplissage profond Rinçage à l'eau chaude Trempe automatique Rinçage en profondeur Lavage différé Rinçage supplémentaire Prélavage puissant	Combine des niveaux d'eau supérieurs, une séquence de brassage spéciale ainsi que des périodes de lavage en plusieurs phases afin de traiter les jeans de saleté modérée à légère. Utilisez le cycle Heavy Duty (Linge résistant) pour les jeans de travail très sales.
Tissus résistants de saleté élevée à modérée.	Lavage en profondeur	Très chaude Chaude Couleurs Fraîche Froide Froide du robinet	Extrém. sale Très sale Normal Légèrement	Max. Plus Normal Aucun essorage	Guide de détachage Remplissage profond Rinçage à l'eau chaude Trempe automatique Rinçage en profondeur Lavage différé Rinçage supplémentaire Prélavage puissant	Comprend des périodes de lavage en plusieurs phases combinées avec des périodes de lavage prolongées afin de nettoyer efficacement les tissus résistants de saleté élevée à modérée.
Les articles résistants à l'eau, la literie et les articles volumineux, tels que manteaux épais, sur matelas et tapis de bain.	Articles volumineux	Très chaude Chaude Couleurs Fraîche Froide Froide du robinet	Extrém. sale Très sale Normal Légèrement	Max. Plus Normal Aucun essorage	Guide de détachage Remplissage profond Rinçage à l'eau chaude Trempe automatique Rinçage en profondeur Lavage différé Rinçage supplémentaire Prélavage puissant	Procure un niveau d'eau Deep Fill/max fill (remplissage profond/max) pour laver les articles volumineux et les articles imperméables. Intègre aussi un rinçage Deep Fill pour rincer efficacement les articles volumineux et une vitesse de rotation basse appropriée à ces articles. Utilisez seulement ce cycle pour les articles résistants à l'eau, la literie ou les Bulky Items (articles volumineux).
Serviettes, draps	Serviettes / draps	Très chaude Chaude Couleurs Fraîche Froide Froide du robinet	Extrém. sale Très sale Normal Légèrement	Max. Plus Normal Aucun essorage	Guide de détachage Remplissage profond Rinçage à l'eau chaude Trempe automatique Rinçage en profondeur Lavage différé Rinçage supplémentaire Prélavage puissant	Cycle conçu pour laver les serviettes et les draps, utilisant un niveau d'eau plus élevé afin de nettoyer efficacement ces articles. Il est recommandé de laver les serviettes et les draps séparément pour les meilleurs résultats d'entretien et de lavage. Pour les couvre-lits imperméables, utilisez le cycle pour Bulky Items (articles volumineux).
Blancs et linge de maison	Blancs	Très chaude Chaude Couleurs Fraîche Froide Froide du robinet	Extrém. sale Très sale Normal Légèrement	Max. Plus Normal Aucun essorage	Guide de détachage Remplissage profond Rinçage à l'eau chaude Trempe automatique Rinçage en profondeur Lavage différé Rinçage supplémentaire Prélavage puissant	Cycle adapté à nettoyer et à faire vos blancs plus brillants.

ATTENTION

L'omission de suivre ces instructions peut occasionner des blessures ou des dommages à la propriété.

Pour les articles imperméables, résistants à l'eau ou volumineux :

- Utilisez seulement le cycle **Bulky Items** (articles volumineux) (ou **Delicates** [tissus délicats]).
- **REMARQUE :** Certains modèles ne sont dotés que du cycle pour **Delicates** (tissus délicats).
- L'utilisation d'autres cycles peut causer des vibrations excessives et ainsi occasionner des blessures ou des dommages à la laveuse, aux murs ou au plancher.
- Ne mélangez pas des articles imperméables avec des articles qui ne le sont pas.
- Lisez le manuel du propriétaire pour de l'information détaillée sur le cycle du lavage.

Comment démarrer

Sanitize with Oxi (Désinfecter avec Oxi)

Le cycle **Sanitize with Oxi** (Désinfecter avec Oxi) est conçu pour éliminer 99,9% des bactéries présentes dans les vêtements à laver si un additif Oxi est utilisé avec votre détergent.

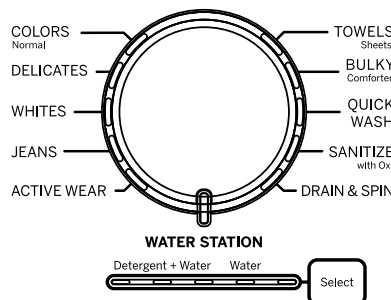
Mesurer le détergent et les produits Oxi attentivement. En utilisant les quantités appropriées pour une grande charge très sale, dans une laveuse à chargement par le haut, suivez les instructions sur l'étiquette du détergent et du produit Oxi. Pour le cycle **Sanitize With Oxi** (Désinfecter avec Oxi) seulement, ajoutez les vêtements en premier puis placez le détergent et le produit Oxi directement sur le dessus de la charge. Placez le produit Oxi directement dans le fond du tambour de lavage, avant d'ajouter les vêtements. Le robinet d'alimentation en eau chaude doit fournir un minimum de 120° F pour assurer l'efficacité de ce cycle.

NOTE: La température par défaut de l'eau du cycle **Sanitize With Oxi** (Désinfecter avec Oxi) NE peut pas être changée.

Prétraitement ou trempage à l'aide de la fonction Water Station (eau stationnaire) (certains modèles)

Cette fonction sert à prétraiter les vêtements seulement et ne se substitue pas à un cycle de lavage. Une fois cette fonction sélectionnée, la laveuse se remplit avec de l'eau fraîche ou mélangée au détergent de votre système SmartDispense (distribution intelligente) en vue d'un pré-lavage à la main ou d'un prétraitement.

L'eau de prétraitement est distribuée depuis une zone située à l'arrière de l'ouverture principale de la laveuse. Une fois sélectionnée, toute eau distribuée dans la cuve pendant le prétraitement sera vidangée depuis l'appareil avant qu'un cycle de lavage subséquent ne puisse démarrer.



Vous pouvez aussi utiliser cette fonction pour tremper des vêtements dans l'eau de prétraitement pendant un maximum de 24 heures avec couvercle fermé et bouton de sélection demeurant à la position **Water Station** (eau stationnaire).

Pour le trempage, gardez le bouton de sélection sur **Water Station** (eau stationnaire) et fermez le couvercle. Le trempage peut durer jusqu'à 24 heures avant la vidange automatique de la cuve. Tourner le bouton, presser le bouton **Start** (démarrer) durant 3 secondes ou laisser le couvercle ouvert plus de 15 minutes auront pour effet de vidanger automatiquement l'eau de la cuve.

Water Station (Eau stationnaire) seulement

Pour sélectionner cette fonction :

1. Tournez le bouton de sélection jusqu'à **Water Station** (Eau stationnaire).
2. Poussez le bouton de sélection jusqu'à ce que s'allume la DEL sous **Water** (Eau).
3. Sélectionnez la température de l'eau à l'aide du bouton **Temp** (Température).
4. Appuyez sur le bouton **Start** (Démarrer) pour activer la fonction.

Si le couvercle n'est pas déjà ouvert, levez le couvercle de la laveuse pour démarrer l'écoulement d'eau fraîche depuis la zone de distribution. La distribution va se poursuivre jusqu'à ce que le couvercle soit fermé ou que la cuve atteigne son niveau maximal.

Si le couvercle est fermé avant l'atteinte du niveau maximal, on peut ajouter de l'eau en ouvrant le couvercle de nouveau. Une fois le couvercle fermé, l'eau distribuée à l'aide de la fonction sur demande demeurera dans la cuve jusqu'à la sélection d'un cycle de lavage en tournant le bouton, ou jusqu'à une pression de 3 secondes sur le bouton **Start** (démarrer), ces deux actions déclenchant la vidange de l'eau de l'appareil.

Si le couvercle n'est pas fermé, l'eau se vidangera au bout de 15 minutes. Si le couvercle est fermé et que le bouton de sélection n'est pas tourné vers un cycle de lavage, ou s'il n'y a pas de pression sur le bouton **Start** durant 3 secondes, l'eau sera automatiquement vidangée au bout de 24 heures.

Water Station (Eau stationnaire) avec détergent

Pour sélectionner cette fonction :

1. Tournez le bouton de sélection jusqu'à **Water Station** (eau stationnaire).
2. Poussez le bouton de sélection jusqu'à ce que s'allume la DEL sous **Detergent + Water** (Eau avec détergent).
3. Sélectionnez la température de l'eau désirée à l'aide du bouton **Temp** (Température).
4. Appuyez sur le bouton **Start** (démarrer) pour activer la fonction du détergent.

Si le couvercle n'est pas déjà ouvert, levez le couvercle de la laveuse pour démarrer l'écoulement d'eau savonneuse depuis la zone de distribution. La distribution d'eau savonneuse continuera jusqu'à la fermeture du couvercle ou l'atteinte du niveau maximal d'eau dans la cuve.

Si le couvercle est fermé avant l'atteinte du niveau, on peut ajouter de l'eau savonneuse simplement en ouvrant le couvercle de nouveau. Une fois le couvercle fermé, l'eau savonneuse distribuée demeurera dans la cuve jusqu'à la sélection d'un cycle de lavage en tournant le bouton, ou jusqu'à une pression de 3 secondes sur le bouton **Start** (démarrer), ces deux actions déclenchant la vidange de l'eau savonneuse de l'appareil.

Si le couvercle n'est pas fermé, l'eau se vidangera au bout de 15 minutes. Si le couvercle est fermé et que le bouton de sélection n'est pas tourné vers un cycle de lavage, ou s'il n'y a pas de pression sur le bouton **Start** (démarrer) durant 3 secondes, l'eau savonneuse sera automatiquement vidangée au bout de 24 heures.

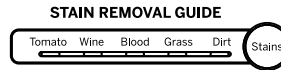
Comment démarrer

F Stain Removal Guide (guide de détachage) (certains modèles)

La fonction **Stain Removal Guide** (guide de détachage) vous permet d'indiquer le type de taches présentes sur vos vêtements. Un remplissage d'eau initial est exécuté à une température correspondant au type de tache sélectionné, dans une quantité permettant un nettoyage concentré. Une phase de frottage suivie d'un trempage actif est exécutée pour traiter la tache. De l'eau supplémentaire à température sélectionnée est ajoutée et la phase de lavage s'enclenche au cycle sélectionné.

Pour utiliser le guide de détachage :

1. Sélectionnez le programme de lavage désiré.
2. Appuyez sur **Stain Removal Guide** (guide de détachage).



Continuez à appuyer pour sélectionner **Tomato** (tomate), **Wine** (du vin), **Blood** (sang), **Grass** (herbe) ou **Dirt** (terre). Le voyant indiquera le type de tache sélectionné.

Pour sélectionner une tache différente, appuyez sur **Stain Removal Guide** (guide de détachage) jusqu'à ce que le voyant de la tache à éliminer soit allumé.

Pour désactiver **Stain Removal Guide**, appuyez sur le bouton jusqu'à ce qu'il ne reste plus de voyant allumé.

REMARQUE : Les degrés de saleté et de température seront modifiés pour correspondre au réglage par défaut recommandé pour chaque type de tache. Désactiver **Stain Removal Guide** (guide de détachage) rétablira les réglages par défaut.

Guide de détachage

Catégorie	Températures de traitement/ lavage recommandées	Tache	Pour les meilleurs résultats, avant de mettre dans la laveuse :
Sang	Froide/Fraîche	Sang Transpiration Fluides corporels Urine	Essorer à l'eau froide; prétraiter avec un détergent liquide ou un détachant
Herbe	Froide/Chaude	Herbe Rouge à lèvres Chocolat Sauce Mayonnaise Sauce BBQ	Prétraiter avec un détergent liquide ou un détachant. Brosser légèrement; rincer à l'eau froide.
Crasse	Fraîche/Chaude	Crasse Argile Boue	Laisser sécher la crasse; enlever la crasse lâche avec une brosse. Rincer à l'eau froide.
Tomate	Fraîche/Chaude	Sauce Ketchup Salsa	Prétraiter avec un détergent liquide ou un détachant. Rincer à l'eau froide.
Vin	Fraîche/Chaude	Vin Boisson gazeuse Kool-Aid Thé Café Jus Bière	Prétraiter dans une solution d'eau et d'Oxi. Ajouter de l'Oxi avec le détergent dans la laveuse.

- Les températures recommandées visent à optimiser l'efficacité du détachage; réglez la température en fonction de la charge à laver.
- Assurez-vous que la tache a été complètement nettoyée après le cycle de lavage et avant le séchage; les taches rebelles peuvent nécessiter un second traitement.

Comment démarrer



Réglages

Vous pouvez attribuer des réglages individuels allant de minimum (le plus bas de la colonne) à maximum (le plus haut de la colonne) pour le brassage saleté (**Soil**), la température de l'eau (**Temp**) et l'essorage (**Spin**). En général, plus la fonction apparaît haut dans la colonne, plus elle est énergivore.

REMARQUE : L'allongement des temps d'essorage réduisent généralement le temps de séchage/de consommation d'énergie (c.-à-d. qu'elles diminuent la consommation totale d'énergie dans le cas de l'utilisation combinée d'une laveuse et d'une sècheuse).



Options de programmes

Deep Fill (remplissage profond)

Sélectionnez la fonction de **Deep Fill** (Remplissage profond) pour des charges où de l'eau supplémentaire est nécessaire. La fonction de remplissage profond est recommandée pour des charges spéciales seulement, et non pour une utilisation habituelle.

Pressez et relâchez le bouton **Deep Fill** une fois avant de démarrer le cycle afin d'ajouter 3 gallons (11,5 litres) d'eau à la brassée. Une pression de 3 secondes sur le bouton **Deep Fill** (Remplissage profond) procure le plus profond remplissage possible; la durée du cycle en sera augmentée en raison du temps requis pour remplir la laveuse.

Pour annuler l'option au besoin, appuyez sur le bouton **Deep Fill** (Remplissage profond) de nouveau.

REMARQUE : On peut aussi appuyer sur le bouton **Deep Fill** (Remplissage profond) une fois le remplissage terminé et la phase de lavage commencée si l'on souhaite un supplément d'eau. Pour arrêter le remplissage supplémentaire, appuyez sur le bouton **Deep Fill** (Remplissage profond) de nouveau et l'apport d'eau cessera.

Prélavage puissant

Cette option commence par un lavage bref, un trempage de 5 minutes, puis une vidange avant le démarrage du cycle choisi.

Warm Rinse (rinçage tiède)

Procure un rinçage à l'eau chaude pour votre charge de lavage. Notez que les opérations de rinçage peuvent différer si cette option est sélectionnée afin d'appliquer efficacement de l'eau de rinçage chaude sur votre charge.

Auto Soak (auto trempage)

Cette option débute par un bref brassage, fait tremper le linge pendant une durée précisée, puis passe au reste du cycle automatiquement. Appuyer sur le bouton **Soak** à répétition fera défiler les sélections à 15 minutes, 30 minutes, 1 heure et 2 heures pour retourner ensuite à 0 minute.

Deep Rinse (rinçage en profondeur)

Sélectionnez cette option pour obtenir un rinçage en profondeur ou lorsque vous ajoutez l'assouplissant. Elle peut modifier d'autres réglages (l'essorage **Spin** peut passer à une vitesse plus élevée) pour optimiser la performance.

Delay Wash (lavage différé)

À mesure que vous appuyez sur le bouton **Delay Wash** (lavage différé), le départ différé se règle de 1 (01H) à 9 (09H) heures, puis retourne à zéro (00H). Si vous maintenez **Delay Wash** (lavage différé) enfoncé pendant 3 secondes, il se réinitialise immédiatement.

Extra Rinse (rinçage supplémentaire)

Lorsque vous utilisez du détergent supplémentaire ou de l'agent de blanchiment pour laver le linge très sale, sélectionnez l'option **Extra Rinse** (rinçage supplémentaire) pour mieux éliminer les résidus. **REMARQUE** : Cette option ne peut être utilisée avec certains programmes.



Options supplémentaires

My Cycle Settings (mes réglages de cycle)

À mesure que vous tournez le bouton de sélection des cycles, les options **Soil** (saleté), **Temp** (température) et **Spin** (essorage) changent pour revenir aux réglages automatiques par défaut. Si vous souhaitez un réglage différent, sélectionnez les options ou les modifications désirées pour les réglages du cycle, puis maintenez enfoncé le bouton **My Cycle** (Mon cycle) durant 3 secondes pour les mémoriser. Le bouton **My Cycle** s'allume lorsqu'il est activé. Lorsque vous tournerez le sélecteur à ce cycle à l'avenir, vos réglages seront automatiquement rappelés. Pour rétablir les réglages d'usine par défaut temporairement (c.-à-d. pour cette charge), appuyez sur le bouton **My Cycle** durant ½ seconde. Le voyant **My Cycle** s'éteindra et les réglages par défaut se chargeront. Ce sont cependant vos réglages **My Cycle** qui se chargeront à la prochaine utilisation de cette fonction. Si vous souhaitez rétablir les réglages d'usine par défaut d'une façon permanente pour ce cycle, maintenez enfoncé le bouton **My Cycle** durant 3 secondes lorsque ce bouton sera actif (allumé). Les réglages par défaut seront alors chargés et le voyant s'éteindra. Les réglages par défaut se chargeront lors de la sélection de ce cycle à l'avenir et le voyant **My Cycle** (Mon cycle) restera éteint. **REMARQUE** : La fonction **My Cycle** sauvegarde les options suivantes : **Temp**, **Soil**, **Spin**, **Extra Rinse**, **Deep Fill**, **Warm Rinse**, **Auto Soak**, **Deep Rinse** et **Stain Removal Guide** (Guide de détachage).

Sound (volume sonore) (certains modèles)

Utilisez le bouton Volume pour changer le volume du signal de fin de cycle et les autres signaux sonores du système. Appuyez sur le bouton jusqu'à atteindre le volume désiré (élevé, moyen, bas) ou l'absence de volume.

Control Lock (verrouillage de commande)

Utilisez le verrouillage des commandes avant ou durant un cycle pour empêcher l'exécution de sélections.

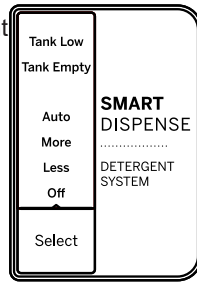
Pour verrouiller/déverrouiller le commande de la laveuse, maintenez **Warm Rinse** (rinçage tiède) et **Auto Soak** (auto trempage) enfoncé pendant 3 secondes. L'icône de verrouillage des commandes s'allume lorsque cette fonction est activée. **REMARQUE** : Le bouton **Power** (alimentation) peut toujours être utilisé lorsque la machine est verrouillée.

Comment démarrer

J SmartDispense™ (Distribution intelligente) (GTW840 et GTW845 modèles seulement)

Cette fonction ajoute automatiquement du détergent au lavage, éliminant le besoin de l'ajouter pour chaque brassée.

La sélection de la quantité de détergent sur le panneau de commande s'affiche à AUTO (automatique) par défaut lors de la première mise sous tension de la laveuse. Lorsque AUTO est sélectionné, la quantité de détergent nécessaire pour chaque brassée est automatiquement déterminée en fonction de la charge détectée par l'appareil.



Si l'on souhaite sélectionner manuellement la quantité de détergent pour une brassée particulière, il s'agit de presser le bouton **Select** sur le panneau de commande **Smart Dispense** (distribution intelligente) pour choisir entre **Less** (moins) ou **More** (plus) de détergent. **Less** (moins) va fournir moins de détergent que **Auto** et **More** (plus) en fournira plus que **Auto**.

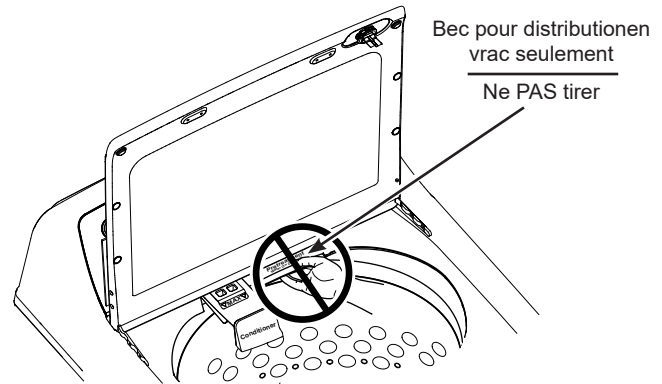
On peut désactiver la fonction **Smart Dispense** en pressant le bouton **Select** sur le panneau de commande **Smart Dispense** jusqu'à sélectionner **Off** (arrêt).

REMARQUE : La **SmartDispense** (Distribution intelligente) n'est pas disponible pour tous les cycles. Si le voyant **Off** est allumé et que presser **Select** cause l'émission de bips, alors **Smart Dispense** n'est pas permis pour le cycle choisi. Le détergent devra être ajouté directement dans le panier de lavage pour ces cycles.

Ce modèle n'est pas doté d'un tiroir à détergent car il dispose d'un système de distribution du détergent en vrac.

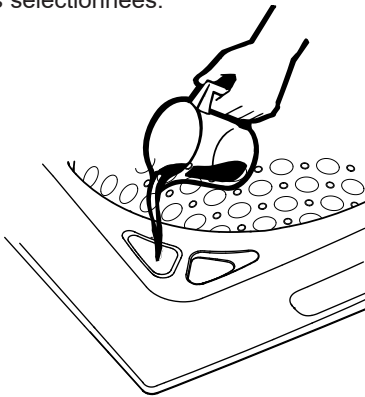
REMARQUE : Si l'on souhaite ajouter le détergent manuellement à la brassée, il faudra le mettre directement dans le panier et désactiver la distribution intelligente (**OFF**) pour cette brassée.

REMARQUE : Le côté droit de la zone de distribution à l'arrière de l'ouverture de la laveuse NE s'ouvre PAS. Il s'agit d'un bec destiné seulement à l'écoulement de l'eau et du détergent depuis le système de distribution intelligente.



Ajout de détergent au distributeur intelligent SmartDispense™ (GTW840 et GTW845 modèles seulement)

Cet appareil est doté d'un réservoir de détergent en vrac pouvant contenir environ 75 onces de détergent liquide pour votre commodité. C'est assez de détergent pour couvrir 50 brassées moyennes, chiffre pouvant varier selon les quantités sélectionnées.



Lorsque le voyant **Tank Low** (réservoir bas) ou **Tank Empty** (réservoir vide) est allumé, plus de détergent doit être ajouté au réservoir pour assurer la disponibilité de détergent pour le prochain cycle.

L'orifice de remplissage du réservoir de détergent est situé sur l'avant gauche de la laveuse. Pour remplir ce réservoir, ouvrez d'abord le couvercle du réservoir en le tournant dans le sens des aiguilles d'une montre. Versez ensuite le détergent **LIQUIDE** dans l'ouverture jusqu'à atteindre le niveau de l'indicateur **MAX** situé à l'intérieur de l'orifice de remplissage, aussi indiqué par une ligne horizontale près du mot **MAX**. Le remplissage jusqu'au niveau **MAX** fournira du détergent pour environ 50 brassées moyennes.

REMARQUE : Il n'est pas nécessaire de vider le système de distribution intelligente si l'on souhaite changer de type de détergent. Il suffit d'ajouter le nouveau type de détergent qui ne sera cependant distribué que lorsque l'ancien sera épuisé.

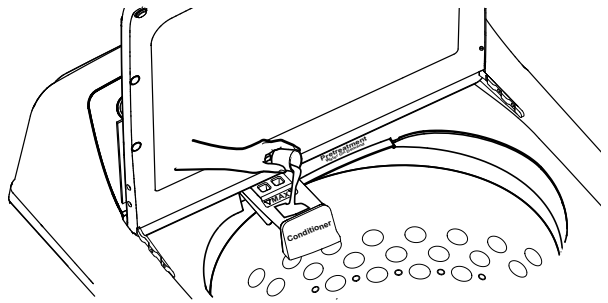
REMARQUE : Dans l'éventualité d'un versement excessif de javellisant au chlore ou se retrouvant autrement dans le réservoir de détergent, veuillez suivre les instructions de la rubrique **Nettoyage du réservoir de détergent** dans la section **Entretien et nettoyage** afin de réduire la possibilité d'abîmer les vêtements. Si seulement quelques gouttes de javellisant se retrouvent dans le réservoir de détergent, il n'est pas nécessaire de rincer le réservoir.

Comment démarrer

Distributeur d'assouplissant liquide/Distributeur de conditionneur (GTW840 et GTW845 modèles seulement)

Le produit assouplissant ou le conditionneur de tissus doit être ajouté dans le **petit tiroir à l'arrière de l'ouverture de la laveuse**. Suivez les recommandations des fabricants de ces produits en fonction de la taille de la brassée. Évitez le débordement ou la dilution de ces produits qui seraient ainsi distribués prématurément pendant le cycle de lavage. Vos sélections d'options vont déterminer le moment optimal où ces produits seront distribués automatiquement pendant le cycle de lavage.

REMARQUE : Les cristaux de produit assouplissant ne doivent **PAS** être ajoutés dans le tiroir de distribution car ils ne seront pas distribués adéquatement.



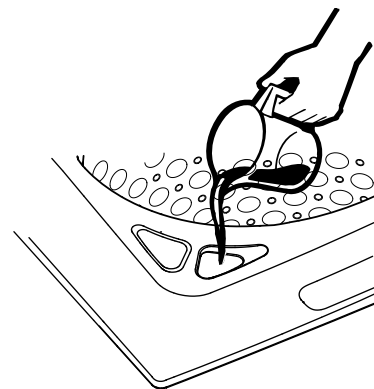
Blanchiment liquide (GTW840 et GTW845 modèles seulement)

Utilisez une tasse à mesurer pour verser le javellisant dans le distributeur de javellisant. Mesurez le javellisant liquide avec soin et ne le versez **PAS** directement de la bouteille de javellisant dans le distributeur de javellisant.

REMARQUE : Le distributeur de javellisant autorise une seule distribution à la fois et elle n'est **PAS** un système de distribution en vrac. La quantité maximale de javellisant versée dans le distributeur ne doit pas excéder 1 tasse quelle que soit la taille de la brassée.

REMARQUE : Dans l'éventualité d'un renversement accidentel de javellisant au chlore ou se retrouvant autrement dans le réservoir de détergent, veuillez suivre les instructions de la rubrique **Nettoyage du réservoir de détergent** dans la section **Entretien et nettoyage** afin de réduire la possibilité d'abîmer les vêtements. Si seulement quelques gouttes de javellisant se retrouvent dans le réservoir de détergent, il n'est pas nécessaire de rincer le réservoir.

REMARQUE : Dans l'éventualité d'un renversement accidentel de détergent ou se retrouvant autrement dans l'orifice de javellisant, ce détergent sera simplement utilisé dans le prochain cycle de lavage. Dans ce cas, il n'est pas nécessaire de procéder à un rinçage.



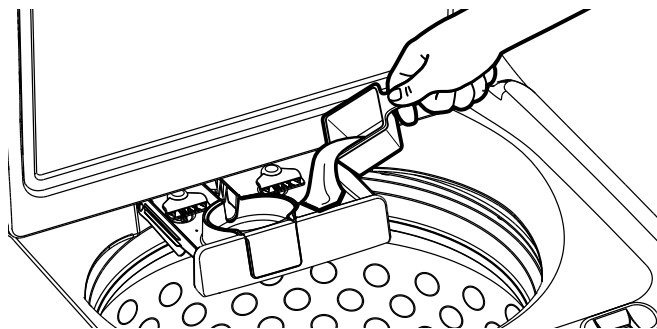
Comment démarrer

Distributeur de détergent

(GTW720 et GTW725 modèles seulement)

Le détergent de haute efficacité doit être ajouté du **côté droit** du tiroir du distributeur. Suivez les recommandations du fabricant de détergent pour connaître la quantité appropriée selon la taille de la charge, en veillant à ajouter le détergent dans le **compartiment de droite**. Attention à ne pas mettre trop de détergent ni à le diluer car l'additif sera distribué prématurément dans le cycle de lavage. Votre choix d'options déterminera le moment optimal où le détergent sera automatiquement distribué dans le cycle de lavage. Pour un rendement optimal, en particulier si l'on sélectionne une température plus froide ou dans un climat froid, placez le détergent haute efficacité en poudre directement sur le dessus de la brassée.

REMARQUE : Il ne faut pas ajouter des sachets de détergent à dose unique dans le distributeur de détergent car ils ne seront pas distribués correctement. Placez plutôt les sachets dans le godet de distribution pour sachets de détergent.

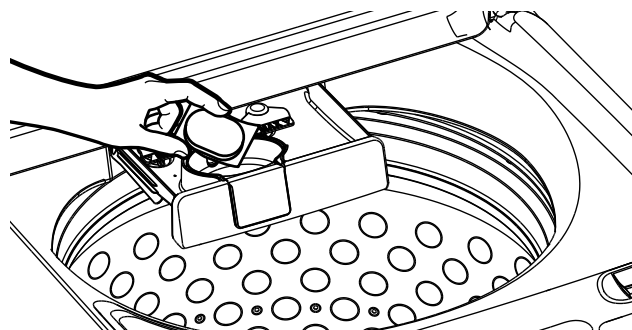


Distributeur de sachets de détergent

(GTW720 et GTW725 modèles seulement)

Il faut ajouter les sachets de détergent dans le godet de distribution pour sachets de détergent. Suivez les recommandations du fabricant de détergent pour déterminer le nombre de sachets approprié à ajouter à la brassée. N'ajoutez pas plus de sachets que le nombre recommandé car du détergent résiduel pourrait subsister à la fin du cycle. Votre sélection des options va déterminer quand le détergent sera distribué automatiquement au moment optimal du cycle de lavage.

REMARQUE : Nous recommandons l'utilisation de sachets de détergent à haute efficacité tels que Tide PODS™ ou Gain Flings™. La distribution de certains sachets de détergent peut s'avérer incomplète à des températures très froides ou dans un cycle délicat. Dans ces cas, vous pouvez choisir une température plus chaude ou, dans de rares cas, retirer le godet extérieur pour utiliser le compartiment secondaire plus grand afin de distribuer les sachets plus difficiles à dissoudre.

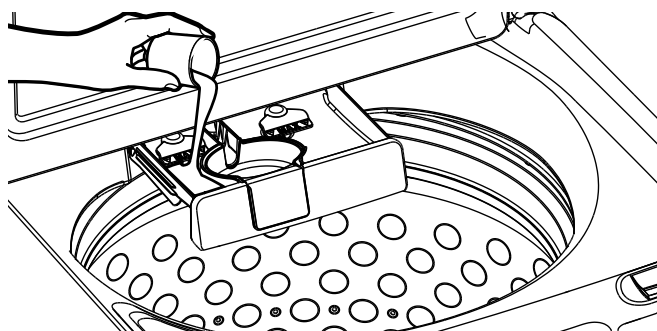


Distributeur d'assouplissant liquide/Distributeur de conditionneur

(GTW720 et GTW725 modèles seulement)

L'assouplissant liquide/conditionneur doit être ajouté du **côté gauche** du tiroir du distributeur. Suivez les recommandations du fabricant de l'assouplissant liquide/conditionneur pour connaître la quantité appropriée selon la taille de la charge, en veillant à ajouter l'assouplissant/conditionneur dans le **compartiment de gauche**. Attention à ne pas mettre trop d'assouplissant/conditionneur ni à le diluer car l'additif sera distribué prématurément dans le cycle de lavage. Votre choix d'options déterminera le moment optimal où l'assouplissant/conditionneur sera automatiquement distribué pendant le cycle de lavage.

REMARQUE : Ne mettez pas de cristaux d'assouplissant dans le tiroir du distributeur car ils ne se répandront pas correctement.

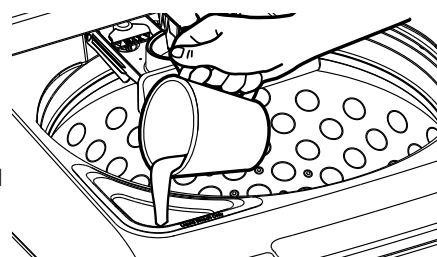


Distributeur de blanchiment liquide

(GTW720 et GTW725 modèles seulement)

L'agent de blanchiment au chlore doit être ajouté par le distributeur d'agent de blanchiment dans le **coin avant gauche**. Suivez les recommandations du fabricant de l'agent de blanchiment pour connaître la quantité appropriée selon la taille de la charge, en veillant à ne pas appliquer ni verser directement sur le linge.

REMARQUE : N'utilisez pas d'agent de blanchiment liquide au chlore et de détachant tel qu'un produit Oxi dans la même charge.



Chargement

Respectez toujours l'étiquette d'entretien du fabricant lors de la lessive.

Détection automatique du volume de linge

Cette fonction détermine la séquence de brassage correcte, la durée du brassage et la quantité d'eau qui convient à la taille et au type de charge placée dans la laveuse. La laveuse ne démarrera pas le cycle de lavage ou le remplissage d'eau si le couvercle est ouvert. Lorsque le couvercle est fermé, la machine peut commencer à se remplir d'eau pour détecter le volume de linge.

REMARQUE : La détection automatique du volume de linge démarre un essorage en début de cycle; il s'agit d'une opération normale.

REMARQUE : Cet appareil est une laveuse haute efficacité. Ce système requiert moins d'eau tout en offrant une action de lavage efficace. Vous pouvez remarquer que le niveau d'eau est inférieur à celui de votre précédente laveuse. Ceci est normal pour une laveuse haute efficacité.

Détachant

Placez le détachant, par exemple un produit Oxi, directement dans le fond du tambour avant de charger le linge.

REMARQUE : N'utilisez pas d'agent de blanchiment liquide au chlore et de détachant tel qu'un produit Oxi dans la même charge.

Emploi approprié du détergent

L'excès ou le manque de détergent constitue un des problèmes courants lors de la lessive.

Vous pouvez utiliser moins de détergent si votre eau est douce, si votre linge est moins volumineux ou s'il est légèrement sale.

En cas de taches, appliquez du détachant en suivant les recommandations figurant sur l'étiquette des articles. Cette application doit être effectuée dans le tambour pour éviter d'éclabousser le couvercle ou les graphiques, ce qui pourrait ternir leurs couleurs.

Placez les sachets de détergent dans le distributeur pour sachets (certains modèles) ou le bas du panier de lavage avant d'ajouter les vêtements.

GE Appliances recommande l'utilisation de détergents à haute efficacité tels que Tide HE Turbo™ dans votre laveuse éconergétique. Les détergents HE sont formulés pour être utilisés avec les systèmes de lavage et de rinçage à faible quantité d'eau. Les détergents HE diminuent les problèmes de production excessive de mousse couramment associés aux détergents traditionnels.

Lorsque vous utilisez des détergents haute efficacité ou concentrés, reportez-vous à l'étiquette des articles pour déterminer la dose requise pour une performance optimale. Une quantité excessive de détergent aura un impact négatif sur la performance du lavage.

Tri du linge

Triez le linge par couleur (blancs, clairs, couleurs), degré de saleté, type de tissu (coton robuste, tissu à entretien facile, tissu délicat) et en fonction de la charpie qu'il produit (tissu éponge, tissu chenille) ou qu'il ramasse (velvétine, velours côtelé). Lavez les articles qui génèrent de la charpie, tels que les serviettes de coton et les bas, séparément des articles qui la collectent, par exemple les vêtements synthétiques et les pantalons habillés.

⚠ AVERTISSEMENT - Risque d'incendie

NE lavez **PAS** les tissus contaminés avec des liquides inflammables ou des solvants de nettoyage.

Aucune laveuse ne peut éliminer l'huile totalement.

NE lavez ou séchez **RIEN** qui a été trempé ou éclaboussé avec tout type d'huile (y compris les huiles de cuisson).

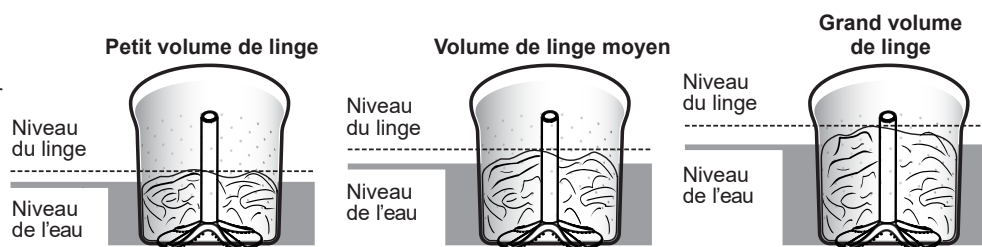
NE mettez **PAS** à la main dans la machine à laver jusqu'à ce que toutes les pièces mobiles soient arrêtées.

Cela peut entraîner la mort, une explosion, un incendie ou une amputation.

Chargement de la laveuse

Chargez le linge sans l'entasser dans le tambour. Pour de meilleurs résultats, chargez le linge en le répartissant de manière uniforme sur le tour extérieur du tambour, et vers le centre pour les charges plus volumineuses. Pour ajouter des articles une fois la laveuse en marche, appuyez sur le bouton **Start/Pause** (départ/pause) si le couvercle est verrouillé; attendez que le voyant **Lid Locked** (Couvercle verrouillé) de l'affichage soit éteint avant d'ouvrir le couvercle. Soulevez le couvercle et immergez les articles supplémentaires sur le tour extérieur du tambour. Pour reprendre le lavage, fermez le couvercle et appuyez sur **Start** (départ). Réglez la taille de la charge et/ou utilisez l'option **Deep Fill** (Remplissage profond) si nécessaire. **REMARQUE** : Certains cycles utilisent un remplissage pour lavage en deux phases. Le niveau d'eau de la première phase sera plus bas que pour la deuxième, cela est normal.

- Ne mettez pas d'articles comme des draps, des couvertures ou des serviettes sur le dispositif Infusor. Chargez-les en les répartissant sur le tour extérieur du tambour.
- Ne mettez pas de coussins d'extérieur ou de canapé dans la laveuse, car ils sont trop gros pour bouger. Retirez les housses extérieures et lavez **UNIQUEMENT** celles-ci.



Communication d'appareils

WiFi Connect (Connectivité WiFi) (Clients aux États-Unis seulement – Certains modèles)

Selon le modèle, votre laveuse est soit dotée de la connectivité **GE Appliances WiFi Connect**, soit compatible grâce au module **GE Appliances ConnectPlus** en option.

Si elle dotée de connectivité : Visitez geappliances.com/connect et entrez votre numéro de modèle pour voir les étapes de connexion se rapportant à votre électroménager.

Si elle est compatible : Pour connecter ce modèle à Internet, vous devez vous procurer un module **GE Appliances ConnectPlus** et le fixer à votre électroménager par le port de communication de ce dernier. Ce module permettra à votre électroménager de communiquer avec votre téléphone intelligent pour la surveillance, la commande et la réception d'avis à distance.

Veillez visiter GEAppliances.com/connect pour en apprendre davantage sur les fonctions de connectivité des électroménagers et les applications compatibles avec votre téléphone intelligent.

Connectivité WiFi : Pour de l'assistance concernant l'électroménager ou la connectivité en réseau **ConnectPlus**, veuillez communiquer avec GE Appliances au **800.GE.CARES**.

Visitez votre distributeur de pièces autorisé GE Appliances le plus proche ou commandez par téléphone au **800.661.1616** pendant les heures d'affaires normales.

Numéro de pièce	Accessoire
PBX10W00Y0	Module WiFi ConnectPlus

Entretien et nettoyage

⚠ AVERTISSEMENT - Risque de choc électrique

Certaines pièces internes sont intentionnellement non mises à la terre et peuvent présenter un risque de choc électrique lors d'un entretien.

Personnel d'entretien – NE PAS toucher aux composants suivants lorsque l'appareil est sous tension : Moteur d'entraînement, verrouillage du couvercle, valves d'eau, pompe de vidange et pompe de recirculation.


Extérieur de la laveuse

Essuyez immédiatement tout produit renversé à l'aide d'un chiffon humide.

Intérieur de la laveuse

Pour nettoyer l'intérieur de la laveuse, sélectionnez la fonction **Bulky Items** (articles volumineux) sur le tableau de commande. Le programme **Bulky Items** (articles volumineux) doit être utilisé au moins une fois par mois. Ce programme utilise plus d'eau, en plus de l'agent de blanchiment, pour contrôler la vitesse à laquelle la saleté et les détergents pourraient s'accumuler dans votre laveuse.

REMARQUE : Lisez toutes les instructions ci-dessous avant de lancer le programme **Bulky Items** (articles volumineux).

- Retirez tout vêtement ou objet de la laveuse, et assurez-vous que le tambour est vide.
- Ouvrez le couvercle de la laveuse et versez une tasse ou 250 ml d'agent de blanchiment liquide ou de nettoyant pour laveuse dans le tambour. 
- Fermez le couvercle et sélectionnez le programme **Bulky Items** (articles volumineux). Appuyez sur le bouton **Start** (départ).

- Lorsque le programme **Bulky Items** (articles volumineux) est en cours, le temps restant estimé s'affiche. N'interrompez pas le programme.

Bulky Items (articles volumineux) peut être interrompu par le biais du bouton **Start** (départ) entre deux cycles. Une panne de courant peut également interrompre le programme. Une fois le courant rétabli, le programme **Bulky Items** (articles volumineux) reprend là où il s'était arrêté. En cas d'interruption, veuillez à effectuer un programme **Bulky Items** (articles volumineux) complet avant d'utiliser la laveuse. Si vous appuyez sur le bouton **Power** (alimentation) lors du programme **Bulky Items** (articles volumineux), celui-ci sera perdu.

IMPORTANT :

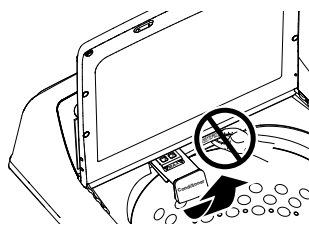
- Utilisez le programme **Bulky Items** (articles volumineux) avec 1 tasse (250 ml) d'agent de blanchiment une fois par mois.
- Une fois le programme **Bulky Items** (Bulky Items) terminé, l'intérieur de votre laveuse peut sentir l'agent de blanchiment.

Entretien et nettoyage

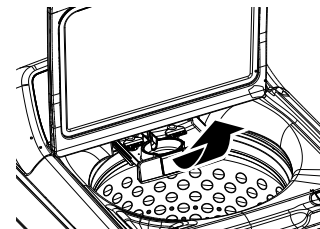
Tiroir du distributeur

Après une certaine période d'utilisation, une petite quantité de résidus de détergent ou d'assouplissant peut se trouver dans le tiroir du distributeur. Le tiroir se retire aisément pour le nettoyage : tirez-le jusqu'à ce qu'il s'arrête puis soulevez-le par le devant. Le tiroir peut alors être retiré de la boîte de distribution. Lavez le tiroir dans une solution d'eau chaude et de détergent doux. Rincez le tiroir à l'eau chaude. Si les capuchons des siphons sont retirés pour nettoyage, assurez-vous de les remettre en place en les poussant à fond après le nettoyage.

Le tiroir du distributeur et les capuchons des siphons ne vont pas au lave-vaisselle. La boîte du distributeur n'est pas amovible mais on peut l'essuyer à l'aide d'un chiffon imbibé si nécessaire. Ne tentez pas de retirer la boîte du distributeur pour le nettoyage.



Les modèles GTW840 et GTW845 sont dotés d'un petit tiroir de distribution avec un seul compartiment pour produit assouplissant ou conditionnant.



Les modèles GTW720 et GTW725 sont dotés d'un grand tiroir de distribution avec des compartiments pour le détergent et le produit assouplissant.

Nettoyage du réservoir de détergent

(GTW840 et GTW845 modèles seulement)

REMARQUE : Tous les vêtements doivent être retirés de la laveuse avant de nettoyer le réservoir de détergent.

Pour vider le réservoir et éliminer le détergent résiduel qui s'y trouve :

1. Maintenez une pression simultanée sur les deux boutons **Détergent Dispense** (Distribution de détergent) et **Select** (sélection) durant trois secondes.
2. Pour débiter, le contenu du réservoir, mélangé avec de l'eau, s'écoulera dans le panier tout en étant évacué de l'appareil.

3. Le vidage se poursuivra durant 15 minutes environ, sauf si une pause est commandée en pressant le bouton **Start** (démarrer). Si le réservoir est plein au départ, il peut s'avérer nécessaire de relancer le processus une deuxième fois pour bien vider le réservoir de détergent..

REMARQUE : On peut aussi ajouter de l'eau chaude dans le réservoir pour faciliter le rinçage du système avant de démarrer ou pendant le processus de nettoyage.

Flexibles d'alimentation d'eau

Les Flexibles d'alimentation d'eau connectant la laveuse au robinet devraient être remplacés tous les cinq ans.

Vacances prolongées

Coupez l'alimentation en eau au niveau des robinets. Vidangez l'eau des tuyaux et de la zone de la pompe de filtration de l'eau en cas de risque de gel.

Déménagement et entreposage

Demandez à un réparateur de vidanger l'eau de la pompe et des tuyaux. Entreposez la laveuse à l'abri des intempéries.

Modèles GTW840 et GTW845 seulement : Ne déplacez pas la laveuse avec le réservoir plein de détergent. Si vous déplacez la laveuse avec le réservoir partiellement rempli, ne la penchez pas vers l'avant car du détergent peut s'échapper du réservoir. Si le déplacement exige absolument une inclinaison vers l'avant, il est préférable de nettoyer le réservoir de détergent. Voyez la rubrique **Nettoyage du réservoir de détergent** dans la section **Entretien et nettoyage** de ce manuel.

Instructions d'installation

Laveuse



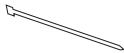

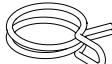
Des questions? Appelez le 1.800.561.3344 ou Visitez notre site Web à l'adresse : electromenagersge.ca

AVANT DE COMMENCER



Lisez ces instructions entièrement et soigneusement.

- **IMPORTANT** — Conservez ces instructions pour l'inspecteur local.
- **IMPORTANT** — Observez tous les codes et les ordonnances en vigueur.
- **Note à l'installateur** — Assurez-vous de laisser ces instructions au consommateur.
- **Note au consommateur** — Conservez ces instructions à titre de référence.
- **Niveau de compétences** — L'installation de cet appareil électroménager nécessite des compétences mécaniques et électriques de base.
- **Temps d'installation** — 1-3 heures
- L'installateur est responsable de bien installer cet appareil.
- Toute panne de produit due à une mauvaise installation n'est pas couverte par la garantie.

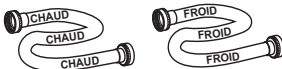

PIÈCES FOURNIES

- Tuyau d'évacuation 
- Guide de référence l'utilisateur 
- Attache de câble 
- Bride de tuyau d'évacuation 
- Collier de serrage 

OUTILS NÉCESSAIRES POUR INSTALLER LA LAVEUSE

- Pince à joint coulissant 
- Niveau 

PIÈCES REQUISES (vendues séparément)

- Flexibles d'eau (2) 
- Rondelles en caoutchouc (2) et grillages pour crépine (2) 
- Rallonge de tuyau d'évacuation (pour hauteurs d'évacuation de 60 à 96 po (1,5 à 2,5 m))

Pièces et accessoires GE Appliances

Visitez votre fournisseur local de pièces GE Appliances ou commandez par téléphone au 800.661.1616 durant les heures normales de bureau.

Numéro de pièce	Accessoire
PM14X10002	Flexibles d'alimentation d'eau en caoutchouc – 1,2 m (4 pi)
Ou	
PM14X10005	Flexibles d'alimentation d'eau en métal tressé – 1,2 m (4 pi)
WH1X2267	Rondelles en caoutchouc et grillages
WH49X301	Rallonge de tuyau d'évacuation (pour hauteurs d'évacuation de 60 à 96 po (1,5 à 2,5 m))

REMARQUE : Nous recommandons fortement d'utiliser des tuyaux d'alimentation en eau neuf. Les tuyaux se dégradent avec le temps et doivent être remplacés tous les 5 ans pour réduire le risque de rupture des tuyaux et/ou de dégâts des eaux.

Instructions d'installation

EMPLACEMENT DE VOTRE LAVEUSE

N'installez jamais votre laveuse :

1. Dans un endroit exposé à de l'eau qui coule ou aux conditions climatiques extérieures. La température ambiante ne doit jamais être inférieure à 15,6°C (60°F) pour que la laveuse fonctionne bien.
2. Dans un endroit où elle entre en contact avec des tentures ou des rideaux.
3. Sur un tapis. Le sol **DOIT** être une surface dure avec une pente maximum de 1,27 cm per 30 cm (1/2 pouce par pied). Pour vous assurer que la laveuse ne vibre pas ou ne bouge pas, il est possible que vous deviez renforcer le plancher.

REMARQUE : Si le plancher est en mauvais état, utilisez une feuille de contreplaqué traité de 3/4 po. fixé solidement à la couverture de plancher actuelle.

IMPORTANT : Espaces libres minimum pour l'installation - Réduit ou un Placard

- Si on recommande l'installation de votre machine à laver dans un réduit ou un placard, vous trouverez les normes d'installation correspondantes sur une étiquette au dos de la machine.
- Dégagement minimal entre la machine et les surfaces mitoyennes : 0 cm (0 po) de part et d'autre, 5 cm (2 po) à l'avant. Espace vertical depuis le plancher jusqu'aux tablettes ou armoires suspendues, plafond, etc. = 60 po (152.4cm).
- Les portes du placard doivent être perforées ou bien ventilées et disposer d'au moins 387 cm² (60 pouces carrés) d'espace. Si le placard abrite une laveuse et une sècheuse, les portes doivent disposer de 774 cm² (120 pouces carrés) au minimum d'espace ouvert.

REMARQUE : Les jeux indiqués sur cette affiche constituent des jeux minimaux. Il convient également de prévoir un dégagement suffisant pour les opérations d'installation et d'entretien.

EXIGENCES D'ALIMENTATION D'EAU

CONDUITES D'ALIMENTATION D'EAU - Purgez les conduites d'alimentation d'eau chaude et froide durant 30 secondes avant l'installation des tuyaux et de la laveuse. Assurez-vous que les tamis à l'entrée des tuyaux sont propres et exempts de débris.

PRESSIION D'EAU – Celle-ci doit se situer entre un minimum de 1,4 kgf/cm² (20 psi) et un maximum de 8,4 kgf/cm² (120 psi).

TEMPÉRATURE D'EAU – Le chauffe-eau domestique doit être réglé de façon à alimenter LA MACHINE À LAVER avec de l'eau chaude entre 50 °C et 65 °C (120 °F et 150 °F) quand on choisit le mode " hot wash " (lavage à chaud).

ROBINETS D'ARRÊT – Des robinets d'arrêt d'eau chaude et d'eau froide doivent être prévus.

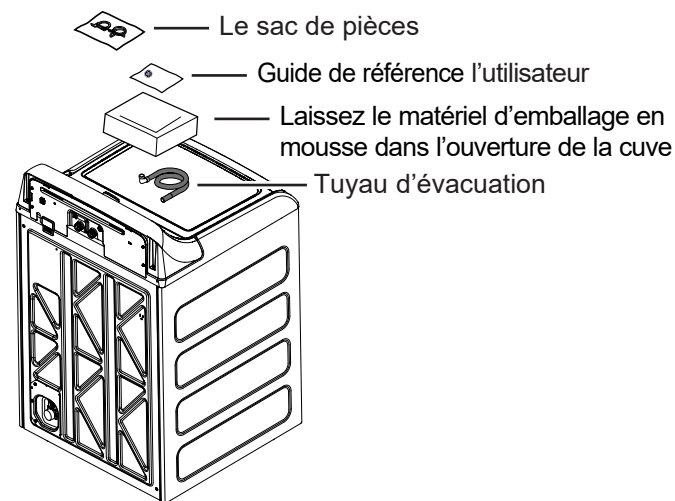
ÉVACUATION – L'eau de vidange peut être évacuée au moyen d'un tuyau de renvoi. L'eau **DOIT ÊTRE** évacuée à une hauteur **MINIMALE DE 76 cm (30 po)** et maximale de 2,4 m (8 pieds) par rapport à la base de la machine. Le tuyau de renvoi doit avoir un diamètre intérieur minimal de 3,8 cm (1-1/2 po) et être situé à l'air libre.

1 DÉBALLAGE DE VOTRE LAVEUSE

Lorsque la machine est à destination, enlevez l'ensemble des matériaux extérieur et cartons d'emballage.

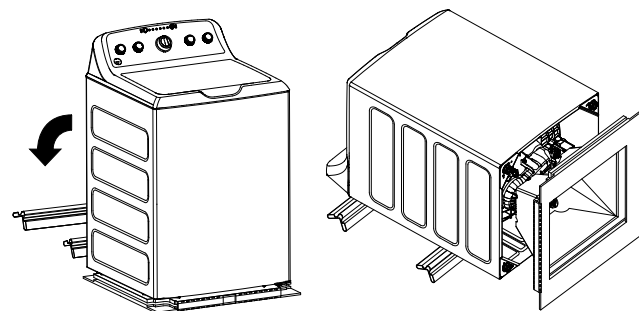
Retirez le sac (comprenant collier de serrage, attache de câble et bride de tuyau d'évacuation), le tuyau d'évacuation et le guide de référence de l'utilisateur de la cuve.

REMARQUE: Laissez le matériel d'emballage en mousse dans l'ouverture de la cuve pour maintenir la cuve en place pendant le reste de l'installation.



2 ENLÈVEMENT DE LA BASE

Pour enlever la base de l'appareil, placez un pied sur le côté et renversez l'appareil vers l'arrière sur les montants de coin. Retirez la base puis remettez la laveuse à l'endroit.



⚠ AVERTISSEMENT ⚡ - Risque de choc électrique

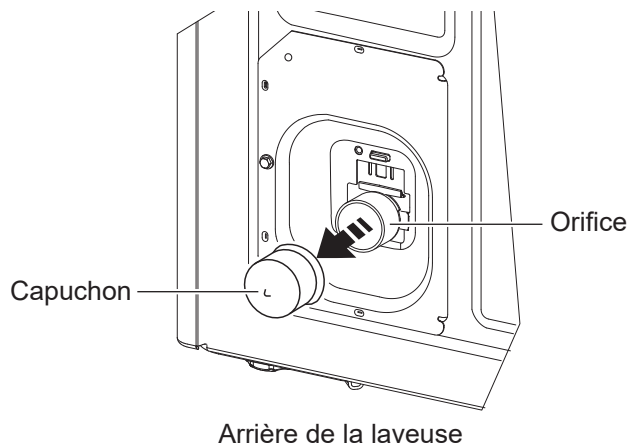
Certaines pièces internes sont intentionnellement non mises à la terre et peuvent présenter un risque de choc électrique lors d'un entretien.

Personnel d'entretien – NE PAS toucher aux composants suivants lorsque l'appareil est sous tension : Moteur d'entraînement, verrouillage du couvercle, valves d'eau, pompe de vidange et pompe de recirculation.

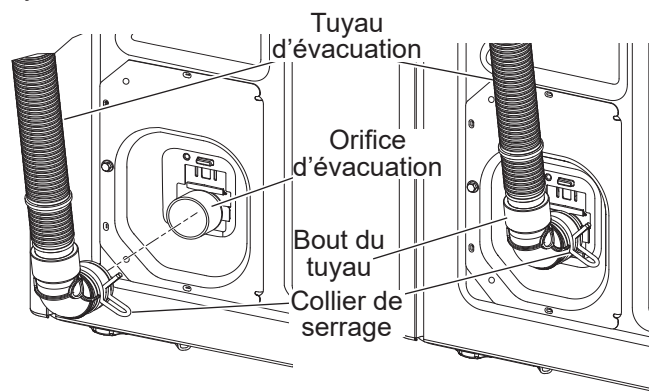
Instructions d'installation

3 RACCORDEMENT DU TUYAU D'ÉVACUATION À LA LAVEUSE

Retirez le capuchon de l'orifice de vidange, le cas échéant, avant d'installer le tuyau de vidange.



Raccordez le tuyau d'évacuation à l'orifice d'évacuation à l'arrière de la laveuse. Ouvrez le collier de serrage avec une pince et glissez-le sur le bout du tuyau. En maintenant le collier ouvert, poussez le bout du tuyau dans l'orifice d'évacuation jusqu'à ce qu'il repose au fond. Relâchez le collier entre les nervures de localisation sur le bout du tuyau

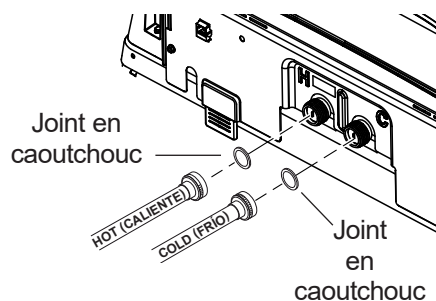


4 RACCORDEMENT DES FLEXIBLES D'EAU À LA LAVEUSE

Retirez le cordon d'alimentation de son logement avant d'installer les flexibles d'alimentation d'eau. S'il n'est pas présent, installez un joint en caoutchouc dans un des raccords du flexible d'eau chaude. Vissez le flexible d'eau chaude sur le raccord d'eau chaude (repère "H") qui se trouve dans la partie supérieure du dos de la machine. Serrez à la main, puis utilisez des pinces pour serrer les flexibles de 1/8 à 1/4 de tour supplémentaire.

S'il n'est pas présent, installez un joint en caoutchouc dans un des raccords du flexible d'eau froide (repère "C"). Vissez le flexible d'eau froide sur le raccord d'eau froide (repère "C") qui se trouve dans la partie supérieure du dos de la machine. Serrez à la main, puis utilisez des pinces pour serrer les flexibles de 1/8 à 1/4 de tour supplémentaire.

Déplacez la machine pour qu'elle se trouve aussi près que possible de son emplacement définitif, tout en vous laissant assez de place pour raccorder les flexibles d'alimentation d'eau, le renvoi et l'alimentation électrique.



5 RACCORDEMENT DES FLEXIBLES D'EAU AUX ROBINETS D'ADMISSION

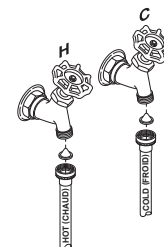
Repérez le robinet d'eau CHAUDE avant de raccorder les flexibles. Celui-ci se trouve normalement à gauche.

(Si les tamis/joints en caoutchouc ne sont pas présents) Avec le côté en saillie du tamis vers vous, introduisez un ensemble tamis/joint caoutchouc à l'autre extrémité des flexibles d'alimentation d'eau.

Branchez le flexible d'eau chaude au robinet de sortie d'eau chaude domestique. Serrez à la main, puis utilisez des pinces pour serrer les flexibles de 1/4 à 1/2 de tour supplémentaire. Ouvrez le robinet d'eau chaude.

Branchez le flexible d'eau froide (S) au robinet de sortie d'eau froide domestique. Serrez à la main, puis utilisez des pinces pour serrer les flexibles de 1/4 à 1/2 de tour supplémentaire. Ouvrez le robinet d'eau froide.

Vérifiez l'absence de fuite et de suintement au niveau des raccords de tuyaux. Resserrez si nécessaire.



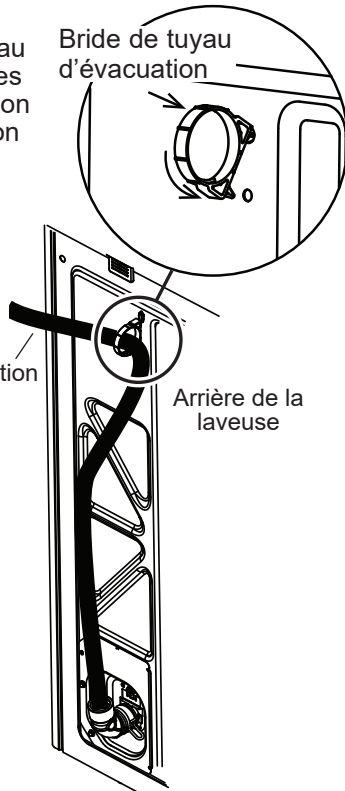
Instructions d'installation

6 RACCORDEMENT AU DRAIN

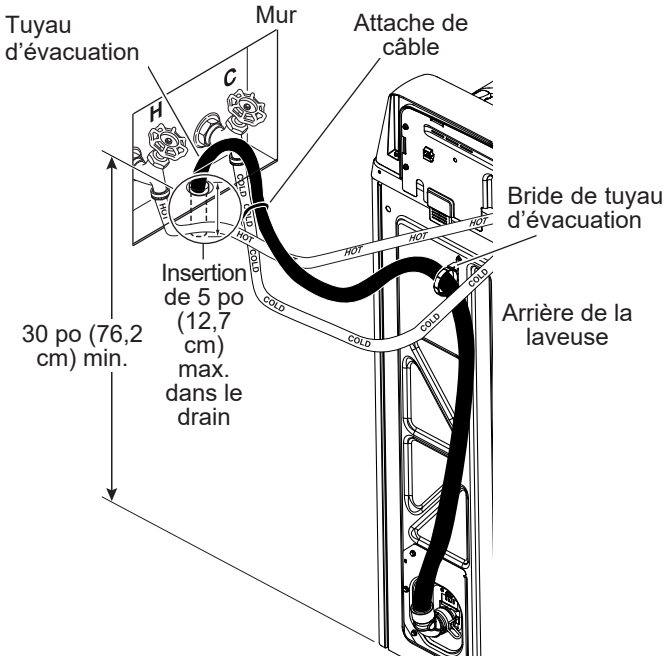
Posez la bride du tuyau d'évacuation sur le panneau arrière de la laveuse. Faites passer le tuyau d'évacuation dans la bride et insérez son bout libre dans l'orifice du drain de votre domicile.

REMARQUE - Si la longueur du tuyau d'évacuation se révèle insuffisante, commandez la trousse de rallonge, n° de pièce GE Appliances **WH49X301**. Branchez la rallonge de tuyau d'évacuation faisant partie de la trousse au tuyau d'évacuation d'origine à l'aide du collier prévu à cette fin.

Bride de tuyau d'évacuation



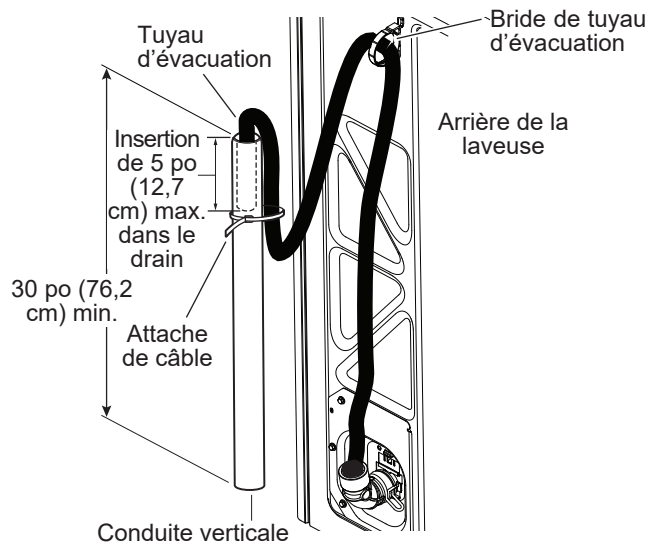
Si les robinets d'admission d'eau et le drain sont intégrés dans le mur, attachez le tuyau d'évacuation à l'un des flexibles d'alimentation en eau à l'aide de l'attache de câble fournie.



REMARQUE : Si vous mettez le tuyau de vidange trop bas, le tuyau d'égout peut causer un effet de siphon. On ne peut pas mettre plus que 12,7 cm (5 po) de tuyau dans le tuyau d'égout. Il doit y avoir un espace d'air autour du tuyau de vidange. Un ajustement trop serré peut également produire un effet de siphon.

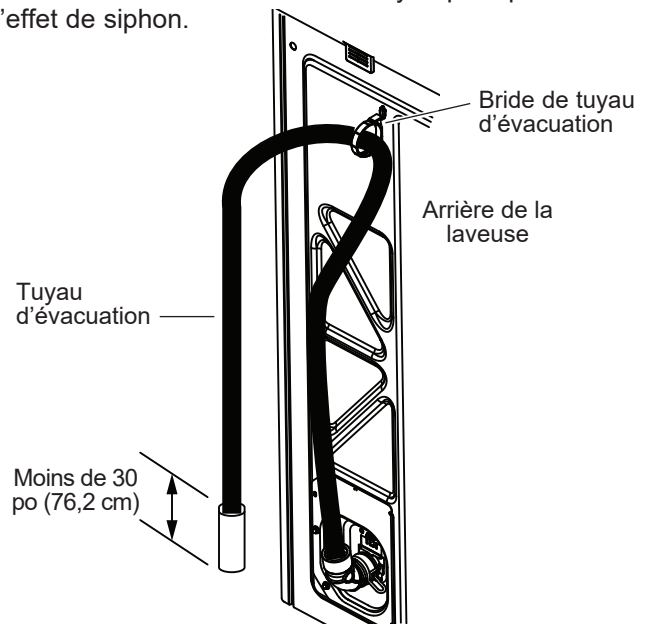
6 RACCORDEMENT AU DRAIN (suite)

Si votre drain se présente comme une conduite verticale, attachez le tuyau d'évacuation à cette conduite à l'aide d'une attache de câble fournie



REMARQUE : Si vous mettez le tuyau de vidange trop bas, le tuyau d'égout peut causer un effet de siphon. On ne peut pas mettre plus que 12,7 cm (5 po) de tuyau dans le tuyau d'égout. Il doit y avoir un espace d'air autour du tuyau de vidange. Un ajustement trop serré peut également produire un effet de siphon. Attache de câble Attache de câble.

Si la hauteur d'évacuation du drain ne satisfait pas le 30 po (76,2 cm) minimum requis, le bout du tuyau d'évacuation doit être fixé dans l'orifice du drain de votre domicile par un installateur et une coupure antirefoulement doit entourer le tuyau pour prévenir l'effet de siphon.



REMARQUE : Si vous mettez le tuyau de vidange trop bas, le tuyau d'égout peut causer un effet de siphon. On ne peut pas mettre plus que 12,7 cm (5 po) de tuyau dans le tuyau d'égout. Il doit y avoir un espace d'air autour du tuyau de vidange. Un ajustement trop serré peut également produire un effet de siphon.

Instructions d'installation

EXIGENCES ÉLECTRIQUES

⚠️ AVERTISSEMENT - Risque d'électrocution

Brancher à une prise de courant à 3 broches mise à la terre.

NE PAS retirer la broche de contact de mise à la terre.

N'UTILISEZ pas de rallonge électrique.

N'UTILISEZ pas d'adaptateur de prise.

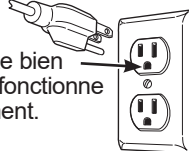
Le non-respect de ces instructions pourrait entraîner un décès, un incendie ou un choc électrique.

CIRCUIT - Individuel, correctement polarisé et mis à la terre, disjoncteur ou fusible temporisé de 15 ou 20 ampères.

ALIMENTATION ÉLECTRIQUE – 2 fils plus la mise à la terre, 120 volts, monophasé, 60 Hz, courant alternatif.

PRISE ÉLECTRIQUE – Prise à 3 voies correctement mise à la terre située de façon à ce que le cordon soit accessible lorsque la laveuse est installée dans sa position définitive. Si la prise n'est qu'à 2 voies, il est de la responsabilité du propriétaire de demander à un électricien agréé de la remplacer par une prise à 3 voies correctement mise à la terre.

Assurez-vous au préalable qu'une mise à la terre existe bien et qu'elle fonctionne correctement.

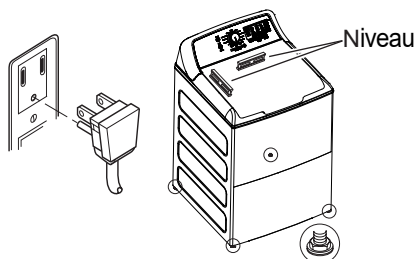


La laveuse doit être correctement mise à la terre conformément aux codes locaux de l'électricité, ou dans l'absence de codes locaux, à la dernière édition du Code Électrique National, ANSI/NFPA NO. 70 ou au Code Électrique Canadien CSA C22.1. Demandez à un électricien agréé de vérifier la connexion si vous n'êtes pas certain que la laveuse est correctement mise à la terre.

7 BRANCHEMENT DE L'ALIMENTATION ÉLECTRIQUE ET INSTALLATION

Branchez la fiche du cordon d'alimentation dans une prise murale de 115 V, 15/20 ampères. Placez la machine à laver à son emplacement définitif. Placez un niveau sur le bord latéral supérieur de la machine à laver. Ajustez les quatre pattes de mise à niveau jusqu'à ce que la machine à laver soit au niveau de gauche à droite et d'avant en arrière. Enlevez le niveau.

Ouvrez le couvercle du tambour. Déposer et mettre au rebut à remous matériaux d'expédition (voir l'étape 1). Enlevez la feuille de plastique qui recouvre le panneau de commande.



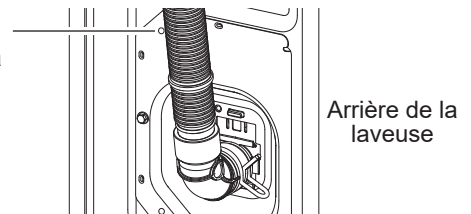
INSTRUCTIONS DE MISE À LA TERRE

Cet appareil doit être mis à la terre. Dans l'éventualité d'un mal fonctionnement ou d'une panne, la mise à la terre réduit le risque de choc électrique en procurant un circuit de moindre résistance au courant électrique. Cet appareil comporte un cordon doté d'un conducteur de mise à la terre de l'appareillage et d'une fiche de mise à la terre. La fiche doit être branchée dans une prise compatible correctement installée et mise à la terre conformément à tous les codes et règlements en vigueur.

⚠️ AVERTISSEMENT Une connexion incorrecte du conducteur de mise à la terre de l'appareillage peut poser un risque de choc électrique. Consultez un électricien ou réparateur qualifié si vous doutez que l'appareil soit correctement mis à la terre. **NE** modifiez **PAS** la fiche du cordon d'alimentation. Si elle ne s'insère pas dans la prise, demandez à un électricien agréé de poser une prise appropriée.

Si les codes locaux l'exigent, un fil de terre extérieur en cuivre de calibre 18 ou supérieur (non fourni) peut être ajouté. Fixer à l'enceinte de la laveuse à l'aide d'une vis à tôle #10-16 x 1/2 po (dans toute bonne quincaillerie) à l'arrière de la laveuse, comme illustré.

Attacher le fil de terre et sa vis (obtenir localement)



Installation en maison mobile :

L'installation doit satisfaire les normes suivantes : Standard for Mobile Homes, ANSI A119.1 et National Mobile Home Construction and Safety Standards Act of 1974 (PL93-383).

LISTE FINALE

Avant de mettre en marche la laveuse, vérifiez que tout est en ordre :

- L'alimentation principale de courant est branchée.
 - La laveuse est branchée à la prise.
 - Les robinets d'eau sont ouverts.
 - L'appareil est bien horizontal et les quatre pattes de nivellement reposent fermement sur le plancher.
 - La mousse et le carton d'emballage est retirée.
 - Le tuyau de vidange est bien attaché.
 - Le robinet, les rondelles et le tuyau de vidange ne fuient pas.
 - Retirez le capuchon de l'orifice de vidange, le cas échéant, avant d'installer le tuyau de vidange.
- Faites marcher la laveuse pendant un cycle complet.**
- Vérifiez qu'il n'y a aucune fuite d'eau et qu'elle fonctionne bien.
 - Rangez ces instructions dans un emplacement proche de la laveuse pour référence future.

Conseils de Dépannage...Avant d'appeler un réparateur

Problème	Causes possibles	Solutions
Petite quantité d'eau résiduelle dans le distributeur (certains modèles) à la fin du cycle	Fonctionnement normal du distributeur	Il est normal qu'une petite quantité d'eau demeure dans le distributeur après le cycle.
Brève pulvérisation et délai après l'appui sur Start (départ)	Le couvercle a été ouvert et fermé entre la sélection du programme et le départ	Ceci est normal. Consultez SÉQUENCE DE DÉMARRAGE dans la section Consignes de sécurité .
Le niveau de l'eau semble bas	Ceci est normal	L'eau peut ne pas recouvrir tout le linge. Ceci est normal pour cette laveuse haute efficacité.
Faible débit d'eau	Les filtres des robinets d'eau sont obstrués	Fermez l'alimentation d'eau et débranchez les flexibles d'eau de la partie supérieure arrière de la laveuse et des robinets. Nettoyez les deux grilles des flexibles (s'ils sont présents) ainsi que les grilles dans l'appareil à l'aide d'une brosse ou d'un cure-dents. Raccordez de nouveau les boyaux et rétablissez l'alimentation en eau. Assurez-vous de l'absence de fuites aux connexions.
L'eau est siphonné de la laveuse	Le tuyau de vidange est trop bas ou le tuyau est trop enfoncé dans la conduite verticale	La hauteur du tuyau d'évacuation doit dépasser 30 po (76,2 cm) à un moment entre l'arrière de la laveuse et le tuyau de vidange. Utilisez une bride anti-siphonnage. Voir les Instructions d'installation .
Trop de mousse	Eau douce	Essayez d'utiliser moins de détergent.
	Trop de détergent	Dosez soigneusement votre détergent. Vous pouvez utiliser moins de détergent si votre eau est douce, si votre linge est moins volumineux ou s'il est légèrement sale.
	Type de détergent	Passez à un détergent haute efficacité tels que Tide HE Turbo™.
Fuites d'eau	Type de détergent	Passez à un détergent haute efficacité tels que Tide HE Turbo™.
	Utilisation de trop de détergent dans la laveuse	Utilisez moins de détergent. Vous pouvez utiliser moins de détergent si votre eau est douce, si votre linge est moins volumineux ou s'il est légèrement sale.
	Les boyaux de remplissage ou d'évacuation sont mal raccordés	Vérifiez que les raccordements des boyaux sont bien serrés aux robinets et que des rondelles en caoutchouc sont installées. Assurez-vous que l'extrémité du boyau de vidange est correctement insérée et fixée au tuyau d'évacuation.
	Le tuyau d'évacuation de votre domicile est peut-être bouché	Vérifiez la plomberie de votre domicile. Il vous faut peut-être appeler un plombier.
	Le tuyau d'évacuation frotte contre le mur	Veillez à ce que le tuyau d'évacuation ne soit pas en contact avec le mur. Cela pourrait entraîner une usure excessive du tuyau.
	Pression constante de l'eau dans les boyaux de remplissage à la source d'alimentation en eau	Serrez les raccords des boyaux aux robinets. Vérifiez l'état des boyaux de remplissage. Ils devraient être remplacés tous les 5 ans.
La température de l'eau ne semble pas bonne	Une température d'eau plus froide permet une meilleure efficacité énergétique	Les nouveaux détergents à lessive ont été formulés pour des températures plus froides sans affecter les performances de lavage.
	L'alimentation en eau est coupée ou mal raccordée	Ouvrez complètement les robinets d'eau chaude et d'eau froide, puis vérifiez que les boyaux sont raccordés aux bons robinets. REMARQUE : Les robinets d'alimentation en eau sont identifiés par H (chaud) et C (froid).
	Les filtres des robinets d'eau sont obstrués	Fermez l'alimentation en eau et débranchez les flexibles d'eau de la partie supérieure arrière de la laveuse et des robinets. Nettoyez les deux grilles des flexibles (s'ils sont présents) ainsi que les grilles dans l'appareil à l'aide d'une brosse ou d'un cure-dents. Raccordez de nouveau les boyaux et rétablissez l'alimentation en eau. Assurez-vous de l'absence de fuites aux connexions.
	De l'eau froide sort quand Hot (chaud) est sélectionné	Ceci est normal. La laveuse détecte la température de l'eau (sur certains modèles) et l'optimise pour de meilleurs résultats. De l'eau froide est ajoutée régulièrement lorsque hot (chaud) est sélectionné.
	Le chauffe-eau de votre domicile est mal réglé	Assurez-vous que le chauffe-eau de votre domicile fournit de l'eau de 120 à 140 °F (48 à 60 °C).
L'eau est vidangée avant que le programme ne soit terminé	L'eau est restée dans l'appareil durant 24 heures avec couvercle fermé ou 15 minutes avec couvercle ouvert.	Le cycle précédent a été annulé. Fermez le couvercle, sélectionnez un nouveau cycle et démarrez l'appareil.
L'eau ne se vidange pas	Le tuyau d'évacuation est tordu ou mal raccordé	Redressez le tuyau d'évacuation et vérifiez que la laveuse ne repose pas dessus. Le haut du tuyau de vidange doit se trouver à moins de 8 pi (2,44 m) du sol.
La laveuse tours et s'interrompt au début des programmes	Ceci est normal	La laveuse détecte le volume de linge.

Conseils de Dépannage...Avant d'appeler un réparateur

Problème	Causes possibles	Solutions
La laveuse s'interrompt pendant le programme de lavage	L'option Soak (trempage) a été sélectionné	Ceci est normal. La laveuse alterne entre le brassage et le trempage pendant ces programmes pour un linge plus propre, mais moins usé.
	Ceci est normal	Plusieurs cycles intègrent des séries de trempages durant la période de brassage afin de nettoyer vos vêtements avec moins d'usure.
Poudre résiduelle dans le distributeur ou obstruction des distributeurs	Eau de lavage trop froide ou faible pression d'eau au domicile	Sélectionnez une température de lavage plus chaude si possible afin d'augmenter la dissolution du détergent ou utilisez du détergent liquide. Assurez-vous que les capuchons des siphons sont exempts de débris et bien poussés en position. Retirez et nettoyez le tiroir du distributeur si une obstruction survient.
Les additifs pour lessive sont distribués trop tôt	Remplissage excessif des distributeurs	Ne remplissez pas trop le distributeur et n'y ajoutez pas d'eau. Sélectionnez l'option Deep Rinse (Rinçage en profondeur) lorsque vous utilisez un assouplissant.
La laveuse s'interrompt pendant l'essorage	Ceci est normal	La laveuse peut s'interrompre pendant l'essorage pour extraire l'eau savonneuse de manière plus efficace.
La laveuse ne démarre pas	La laveuse est débranchée	Vérifiez que le cordon d'alimentation est branché sur une prise sous tension.
	L'alimentation en eau est coupée	Ouvrez complètement les robinets d'eau chaude et d'eau froide.
	Le couvercle est ouvert : le dispositif de sécurité empêche le brassage et l'essorage lorsque le couvercle est ouvert	Fermez le couvercle et appuyez sur Start (départ).
	Le disjoncteur s'est déclenché/le fusible a grillé	Vérifiez les disjoncteurs/fusibles de votre domicile. Remplacez les fusibles ou réenclenchez le disjoncteur. La laveuse doit être branchée sur une prise séparée.
	Les composants électroniques doivent être réinitialisés	Débranchez la laveuse, attendez 2 minutes, rebranchez-la et appuyez sur Start (départ).
	Vous n'avez pas appuyé sur Start (départ)	Appuyez sur Start (départ).
Le sachet de détergent ne se dissout pas dans le compartiment de distribution pour sachets de détergent.	Eau de lavage trop froide ou type/quantité de sachets de détergent incorrect	Nous recommandons l'utilisation de sachets de détergent à haute efficacité tels que Tide PODS™ ou Gain Flings™. Lorsque vous utilisez un cycle délicat, placez le sachet de détergent dans le bas du panier, cela facilitera la décomposition du sachet avec une agitation plus faible. Sélectionnez une température plus chaude, si possible, pour améliorer la dissolution des sachets de détergent. Utilisez le compartiment secondaire en retirant le godet pour sachets de détergent. N'excédez pas le nombre de sachets recommandé par le fabricant.a
Modification inexplicquée du temps et/ou des réglages	Modification des options (certains modèles)	Ceci est normal. Plusieurs options changeront d'autres options pour optimiser la performance de la laveuse.
Le tambour ne semble pas attaché	Le tambour bouge ou tourne librement	Le tambour de la laveuse ne possède pas un frein traditionnel. Le tambour tournera librement. Ceci est normal.
Taches de couleur	Utilisation inappropriée de l'assouplissant	Lisez l'étiquette de l'assouplissant et suivez les instructions pour l'utilisation avec un distributeur. Assurez-vous d'avoir sélectionné l'option de Deep Rinse (rinçage en profondeur). Appliquez un détachant et relavez le linge en effectuant un Speed Wash (lavage rapide) avant le séchage.
	Linge qui a déteint	Séparez les blancs ou couleurs claires des couleurs foncées.
Linge terni ou jauni	Quantité de détergent	Veillez à suivre les instructions du fabricant du détergent.
	Eau dure	Utilisez un produit anticalcaire ou installez un adoucisseur d'eau.
	L'eau n'est pas assez chaude	Assurez-vous que le chauffe-eau de votre domicile fournit de l'eau de 120 à 140 °F (48 à 60 °C).
	La laveuse est trop chargée	Chargez le linge sans l'entasser et sans dépasser la rangée supérieure de trous du tambour. Pour de meilleurs résultats, chargez le linge en le positionnant sur le tour extérieur du tambour.
	Linge qui a déteint	Triez le linge par couleur. Si l'étiquette précise de laver un article séparément, il se peut que les couleurs déteignent.
Charpie ou résidus le linge	Le linge sèche à l'air libre ou sur corde	Si vous ne séchez pas votre linge en machine, il se peut qu'il retienne plus de charpie.
	Mauvais tri du linge	Séparez les articles qui produisent de la charpie de ceux qui l'attirent.
	Lavage trop long	Lavez les petites charges moins longtemps en utilisant le réglage Light Soil (Saleté légère).
	Le détergent ne se dissout pas	Relavez, la prochaine fois : Essayez un détergent liquide ; Utilisez une température d'eau plus chaude.
	Surcharge	Chargez le linge dans le tambour sans l'entasser. Pour de meilleurs résultats, chargez le linge en le positionnant sur le tour extérieur du tambour.
	Utilisation inappropriée de l'assouplissant	Lisez l'étiquette de l'assouplissant et suivez les instructions pour l'utilisation avec un distributeur. Assurez-vous d'avoir sélectionné l'option de Deep Rinse (rinçage en profondeur).

Conseils de Dépannage...Avant d'appeler un réparateur

Problème	Causes possibles	Solutions
Linge trop mouillé	Aucune sélection d'essorage	Sélectionnez une option d'essorage.
	Sélection de programme inapproprié	Assurez-vous que le programme sélectionné correspond à votre type de linge. Certains tissus semblent plus mouillés lorsqu'ils sont rincés à l'eau froide.
	La charge est déséquilibrée	Répartissez le linge dans la laveuse et lancez un programme Drain & Spin (drainer et essorer).
Une lumière clignotante de Spin ou de la lumière de Spin sur en fin de cycle	Une condition de déséquilibre est détectée par la laveuse	Laisser le programme se poursuivre et la finition. La charge est plus humide que normalement à la fin du cycle, répartissez la charge uniformément dans le panier de lavage et commencez un cycle de Drain & Spin (drainer et essorer).
Boulochage	Usure normale des mélanges à base de polycoton et des tissus pelucheux	Même si ce problème n'est pas dû à la laveuse, vous pouvez atténuer le boulochage en lavant les vêtements sur leur envers.
Accrocs, trous, déchirures, fentes ou usure excessive	Épingles, boutons-pression, crochets, boutons aux coins tranchants, boucles de ceinture, fermetures à glissière et objets pointus laissés dans les poches	Fermez les boutons-pression, crochets et fermetures à glissière et boutonnez les vêtements. Retirez les objets amovibles comme les épingles, le contenu des poches et les boutons aux coins tranchants. Retournez les tricots (dont les fils se tirent plus facilement).
	Agent chloré de blanchiment non dilué	Vérifiez le dosage recommandé dans les instructions sur l'emballage. N'ajoutez jamais d'agent de blanchiment non dilué lors du lavage et ne le laissez pas entrer en contact avec le linge.
	Produits chimiques comme le colorant ou le décolorant capillaires, la solution à permanente	Rincez les articles qui peuvent contenir des produits chimiques avant de les laver. Effectuez un Speed Wash (lavage rapide) avec l'option Extra Rinse (rinçage supplémentaire).
Plis	Programmes de lavage et de séchage inappropriés	Faites correspondre le programme sélectionné au type de linge à laver (particulièrement pour le linge à entretien facile).
	Triage inadéquat	Évitez de mélanger les tissus lourds (comme les jeans) avec les légers (chemisiers). Ajoutez un assouplissant.
	Surcharge	Chargez le linge dans le tambour sans l'entasser.
	Lavages répétés dans une eau trop chaude	Lavez le linge à l'eau tiède ou froide.

Sons	Causes possibles	Motif
Cliquetis	Le mécanisme d'embrayage s'enclenche et se désenclenche	Le système d'entraînement embraye au début du brassage et débraye à la fin. Cela se produit plusieurs fois pendant le lavage.
Bruissement	Le moteur électrique change de direction	Le son produit est celui du moteur qui tourne dans un sens, puis dans l'autre pour laver votre linge.
Cliquetis derrière le tableau de commande lors du remplissage	Le moteur accélère/ralentit de la température	Deux robinets mélangent l'eau chaude et l'eau froide. Le cliquetis se produit lorsque l'un des robinets s'ouvre ou se ferme pour augmenter ou diminuer la température de l'eau de remplissage.
Le débit de l'eau change lors du remplissage	Le moteur accélère/ralentit de la température	Deux robinets mélangent l'eau chaude et l'eau froide. Le débit change lorsque l'un des robinets s'ouvre ou se ferme pour augmenter ou diminuer la température de l'eau de remplissage.
Bruits de moteur durant l'essorage	Le moteur accélère/ralentit lors de l'essorage	Le moteur accélère par paliers lors de l'essorage. Lorsque l'essorage est terminé, il tourne librement jusqu'à ce qu'il s'arrête.
Bourdonnement	Pompe de vidange de l'eau	La pompe de vidange émet un bourdonnement lorsqu'elle aspire l'eau après le brassage et continue jusqu'à ce que l'essorage soit terminé.
	Moteur d'entraînement	Le moteur d'entraînement émettra un bourdonnement durant les phases de lavage et d'essorage du cycle.
Glougloutement	Pompe de vidange de l'eau	Lorsque la pompe commence à aspirer de l'air, elle produit un glougloutement. La laveuse doit alors commencer à essorer et le son continue jusqu'à ce que l'essorage soit terminé.
Bruissement de l'eau	Processus de lavage	Il est normal que l'eau bruisse lorsque le brassage est en cours, particulièrement avec les plus petits volumes de linge.
La laveuse bouge/se balance	Les pieds de nivellement de la laveuse ne sont pas de niveau	Pour mettre la laveuse de niveau, réglez les pieds de mise à niveau en tournant chaque pied individuellement dans le sens approprié pour le lever ou le baisser.
Bruit de « grincement »	La laveuse n'est pas de niveau et elle frotte contre une armoire	Pour mettre la laveuse de niveau, réglez les pieds de mise à niveau en tournant chaque pied individuellement dans le sens approprié pour le lever ou le baisser.

Laveuse sons qui peut être différente de votre laveuse avant :

Les cliquetis, de l'eau qui coule, les bruits d'embrayage suivies par des pauses, et les sons de bourdonnement électriques font partie du cycle de lavage normal.

Pour écouter et regarder des vidéos de fonctionnement normal de la laveuse, s'il vous plaît aller à <http://products.geappliances.com/appliance/gea-support-search-content?contentid=23061> ou scannez le QR code. **NOTE** : Le site est en anglais seulement, mais les vidéos sont encore utiles à écouter les sons que vous pouvez entendre.



Garantie limitée de la laveuse GE Appliances

GARANTIE LIMITÉE

electromenagersge.ca

Toutes les réparations sous garantie seront effectuées par nos centres de réparation ou nos réparateurs autorisés. Appelez le **1.800.561.3344**. Veuillez fournir le numéro de série et le numéro de modèle lorsque vous appelez pour obtenir le service.

Pour le diagnostic, la réparation de votre appareil peut nécessiter l'utilisation du port de données embarqué. Celui-ci permet au technicien de réparation GE Appliances de diagnostiquer rapidement des problèmes avec votre appareil. Il permet également à GE Appliances d'améliorer ses produits en fournissant à ces derniers des informations sur votre appareil. Si vous ne voulez pas que les données de votre appareil soient envoyées à GE Appliances, veuillez demander à votre technicien de NE PAS soumettre les données à GE Appliances pendant la réparation.

Pendant la période de :	Nous remplacerons
Un an À compter de la date d'achat d'origine	Toute pièce défectueuse en raison d'un vice de matériau ou de fabrication. Au cours de cette garantie limitée d'un an , nous fournirons également, sans frais , les pièces et la main-d'œuvre pour remplacer la pièce défectueuse.
Dix ans À compter de la date d'achat d'origine	Le moteur , si celui-ci se révèle défectueux en raison d'un vice de matériaux ou de fabrication. Pendant cette garantie limitée complémentaire de neuf ans , vous serez responsable des frais de main-d'œuvre et de service associés.

Ce qui n'est pas couvert :

- Toute visite à votre domicile pour vous expliquer le fonctionnement de l'appareil.
- L'installation, la livraison ou l'entretien inadéquats de l'appareil.
- Toute défectuosité du produit attribuable à une utilisation abusive ou inadéquate, s'il a été utilisé à toute autre fin que celle pour laquelle il a été conçu, ou s'il a été utilisé à des fins commerciales.
- Le remplacement des fusibles ou le réenclenchement des disjoncteurs de votre domicile.
- Les produits qui ne sont pas défectueux ou brisés, ou qui fonctionnent tel que décrit dans le Manuel de l'utilisateur.
- Tout dommage au produit attribuable à un accident, un incendie, une inondation ou une catastrophe naturelle.
- Tout dommage accessoire ou indirect, causé par des défaillances possibles de l'appareil.
- Les défectuosités ou les dommages causés par une utilisation de l'appareil à des températures situées sous le point de congélation.
- Tout dommage causé après la livraison.
- Tout produit auquel il n'est pas possible d'accéder pour effectuer les réparations nécessaires.

EXCLUSION DES GARANTIES IMPLICITES :

Votre seul et unique recours est de faire réparer le produit dans le cadre de cette Garantie Limitée. Toute garantie implicite, incluant la garantie de qualité marchande ou d'adaptabilité du produit à un usage particulier, est limitée à un an ou à la période la plus courte autorisée par la loi.

Cette garantie limitée est offerte à l'acheteur initial, ainsi qu'à tout propriétaire subséquent d'un produit acheté au Canada en vue d'une utilisation domestique au Canada. Si le produit se situe dans une zone où aucun réparateur agréé par GE Appliances n'est disponible, vous devrez peut-être assumer les frais de déplacement de celui-ci ou apporter le produit à un atelier de réparation agréé par GE Appliances.

Dans certains États ou province, il est interdit d'exclure ou de limiter les dommages indirects ou accessoires. Il est alors possible que les limitations ou exclusions ci-dessus ne s'appliquent pas dans votre cas. La présente garantie limitée vous confère des droits juridiques spécifiques. Vous pouvez bénéficier d'autres droits, qui varient d'un État ou d'une province à l'autre. Pour connaître les droits dont vous bénéficiez, communiquez avec le bureau des Relations avec les consommateurs de votre région ou de votre province.

Garant : MC Commercial Inc., Burlington, ON, L7R 5B6

Agrafez le reçu d'achat ici. Pour obtenir le service sous garantie, vous devrez fournir la preuve de l'achat original.

Soutien au consommateur

Site Web de GE Appliances

Vous avez une question ou vous avez besoin d'aide pour votre appareil électroménager? Visitez le site Web de GE Appliances 24 heures par jour, tous les jours de l'année! Vous pouvez aussi y trouver d'autres formidables produits GE Appliances et tirer avantage de tous nos services d'assistance en ligne. Aux États-Unis : GEAppliances.com
Au Canada : GEAppliances.ca

Enregistrez votre électroménager

Enregistrez votre nouvel appareil en ligne au moment qui vous convient le mieux! L'enregistrement de votre produit dans les délais prescrits permet une meilleure communication et un service rapide, selon les modalités de votre garantie, si besoin est. Vous pouvez également envoyer par courrier la carte d'enregistrement pré-imprimée qui se trouve dans l'emballage de votre appareil.

Aux États-Unis : GEAppliances.com/register

Au Canada : Prodsupport.mabe.ca/crm/Products/ProductRegistration.aspx

Service de réparation

Un service de réparation expert GE Appliances se trouve à quelques pas de chez vous. Rendez-vous sur notre site et programmez, à votre convenance, une visite de réparation à n'importe quel jour de l'année.

Aux États-Unis : GEAppliances.com/service ou composez le 800.432.2737 durant les heures normales de bureau.

Au Canada : GEAppliances.ca/en/support/service-request ou composez le 800.561.3344

Prolongation de garantie

Procurez-vous une prolongation de garantie GE Appliances et informez-vous des rabais spéciaux en vigueur pendant la durée de votre garantie. Vous pouvez vous la procurer en ligne en tout temps. Les services GE Appliances seront toujours disponibles après l'expiration de la garantie. Aux États-Unis :

GEAppliances.com/extended-warranty ou composez le 800.626.2224 durant les heures normales de bureau.

Au Canada : GEAppliances.ca/en/support/purchase-extended-warranty ou composez le 800.290.9029

Connectivité à distance

Pour de l'assistance concernant la connectivité au réseau sans fil (pour les modèles équipés de cette fonction), visitez notre site Web au GEAppliances.com/connect ou composez le 800.220.6899 aux États-Unis seulement.

Pièces et accessoires

Les personnes ayant les compétences requises pour réparer elles-mêmes leurs appareils peuvent recevoir directement à la maison des pièces ou accessoires (les cartes VISA, MasterCard et Discover sont acceptées). Commandez en ligne 24 heures par jour.

Aux États-Unis : GEApplianceparts.com ou par téléphone au 877.959.8688 durant les heures normales de bureau.

Les instructions contenues dans le présent manuel comportent des procédures que tout utilisateur peut effectuer. Les autres types de réparation doivent généralement être confiés à un technicien qualifié. Utilisez de prudence : une réparation ou un entretien mal effectués peuvent rendre l'utilisation de l'appareil dangereuse.

Les consommateurs au Canada doivent consulter les pages jaunes pour connaître le centre de service MC COMMERCIAL INC. le plus proche, visiter notre site Web au

GEAppliances.ca/en/products/parts-filters-accessories ou composer le 1.800.661.1616.

Communiquez avec nous

Si vous n'êtes pas satisfait du service après-vente de GE Appliances, communiquez avec nous depuis notre site Web en fournissant tous les détails dont votre numéro de téléphone, ou écrivez à :

Aux États-Unis : General Manager, Customer Relations | GE Appliances, Appliance Park | Louisville, KY 40225

GEAppliances.com/contact

Au Canada : Director, Consumer Relations, MC COMMERCIAL INC. | Suite 310, 1 Factory Lane | Moncton, N.B. E1C 9M3

GEAppliances.ca/en/contact-us