



WINE CENTER/BEVERAGE AND WINE CENTER

SAFETY INFORMATION3

USING THE APPLIANCE

Controls5

GVS04 Beverage and Wine Center.....6

GWS04 Wine Center.....7

CARE AND CLEANING8

Replacing the Light Bulb9

INSTALLATION INSTRUCTIONS ..10

GVS04 Models Only..... 11

TROUBLESHOOTING TIPS.....12

WARRANTY.....15

CONSUMER SUPPORT16

OWNER'S MANUAL & INSTALLATION INSTRUCTIONS

GWS04 Wine Center
GVS04 Beverage
and Wine Center

**ENGLISH / FRANÇAIS /
ESPAÑOL**

Write the model and serial numbers here:

Model # _____

Serial # _____

Find these numbers inside the beverage center/wine chiller on the left side.

THANK YOU FOR MAKING GE APPLIANCES A PART OF YOUR HOME.

Whether you grew up with GE Appliances, or this is your first, we're happy to have you in the family.

We take pride in the craftsmanship, innovation and design that goes into every GE Appliances product, and we think you will too.



IMPORTANT SAFETY INFORMATION

READ ALL INSTRUCTIONS BEFORE USING THE APPLIANCE

▲ WARNING To reduce the risk of fire, explosion, electric shock, or injury when using your Wine Center/Beverage and Wine Center, follow these basic safety precautions:

- This Wine Center/Beverage and Wine Center must be properly installed and located in accordance with the Installation Instructions before it is used.
- Unplug the appliance before making repairs, replacing a light bulb, or cleaning.
NOTE: Power to the appliance cannot be disconnected by any setting on the control panel.
NOTE: Repairs must be performed by a qualified Service Professional.
- Replace all parts and panels before operating.
- Do not store or use gasoline or other flammable vapors and liquids in the vicinity of this or any other appliance.
- Because of potential safety hazards under certain conditions, we strongly recommend against the use of an extension cord. However, if you must use an extension cord, it is absolutely necessary that it be a UL-listed (in the United States) 3-wire grounding type appliance extension cord having a grounding type plug and outlet and that the electrical rating of the cord be 15 amperes (minimum) and 120 volts.
- To prevent suffocation and entrapment hazards to children, remove the doors from any appliance before disposing of it or discontinuing its use.
- Do not allow children to climb, stand or hang on the door handles or the shelves in the Wine Center/Beverage and Wine Center. They could seriously injure themselves.

▲ CAUTION To reduce the risk of injury when using your Wine Center/Beverage and Wine Center, follow these basic safety precautions.

- Do not clean glass shelves or covers with warm water when they are cold. Glass shelves and covers may break if exposed to sudden temperature changes or impact, such as bumping or dropping. Tempered glass is designed to shatter into many small pieces if it breaks.
- Keep fingers out of the “pinch point” areas; clearances between the doors and between the doors and cabinet are necessarily small. Be careful closing doors when children are in the area.
- Do not refreeze frozen foods which have thawed completely.
- In Wine Center/Beverage and Wine Centers with automatic ice makers, avoid contact with the moving parts of the ejector mechanism, or with the heating element that releases the cubes. Do not place fingers or hands on the automatic ice making mechanism while the refrigerator is plugged in.

STATE OF CALIFORNIA PROPOSITION 65 WARNINGS

▲ WARNING This product contains one or more chemicals known to the State of California to cause cancer, and birth defects or other reproductive harm.

INSTALLATION

▲ WARNING  **EXPLOSION HAZARD**

Keep flammable materials and vapors, such as gasoline, away from Wine Center/Beverage and Wine Center. Failure to do so can result in fire, explosion, or death.

READ AND SAVE THESE INSTRUCTIONS

IMPORTANT SAFETY INFORMATION

READ ALL INSTRUCTIONS BEFORE USING THE APPLIANCE

CONNECTING ELECTRICITY

⚠ WARNING



ELECTRICAL SHOCK HAZARD

Plug into a grounded 3-prong outlet

Do not remove the ground prong

Do not use an adapter

Failure to follow these instructions can result in death, fire, or electrical shock.

Do not, under any circumstances, cut or remove the third (ground) prong from the power cord. For personal safety, this appliance must be properly grounded.

The power cord of this appliance is equipped with a 3-prong (grounding) plug which mates with a standard 3-prong (grounding) wall outlet to minimize the possibility of electric shock hazard from this appliance.

Have the wall outlet and circuit checked by a qualified electrician to make sure the outlet is properly grounded.

Where a standard 2-prong wall outlet is encountered, it is your personal responsibility and obligation to have it replaced with a properly grounded 3-prong wall outlet. Do not use an adapter.

The Wine Center/Beverage and Wine Center should always be plugged into its own individual electrical outlet which has a voltage rating that matches the rating plate.

A 115 Volt AC, 60 Hz, 15- or 20-amp fused, grounded electrical supply is required. This provides the best performance and also prevents overloading house wiring circuits which could cause a fire hazard from overheated wires.

Never unplug your appliance by pulling on the power cord. Always grip plug firmly and pull straight out from the outlet.

Repair or replace immediately all power cords that have become frayed or otherwise damaged. Do not use a cord that shows cracks or abrasion damage along its length or at either end.

When moving the appliance away from the wall, be careful not to roll over or damage the power cord.

PROPER DISPOSAL OF YOUR OLD APPLIANCE

⚠ WARNING

SUFFOCATION AND CHILD ENTRAPMENT HAZARD

Remove door from the wine center/beverage and wine center prior to disposal. Failure to do so can result in child entrapment which can lead to death or brain damage.

IMPORTANT: Child entrapment and suffocation are not problems of the past. Junked or abandoned appliances are still dangerous even if they will sit for “just a few days.” If you are getting rid of your old appliance, please follow the instructions below to help prevent accidents.

Before You Throw Away Your Old Wine Center/ Beverage and Wine Center

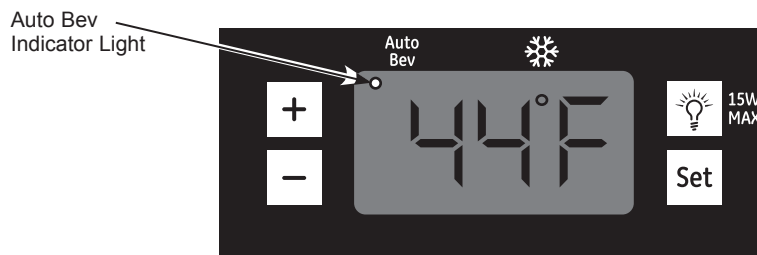
- Take off the appliance door.
- Leave the shelves in place so that children may not easily climb inside.

Refrigerants

All refrigeration products contain refrigerants, which under federal law must be removed prior to product disposal. If you are getting rid of an old refrigeration product, check with the company handling the disposal about what to do.

READ AND SAVE THESE INSTRUCTIONS

Controls



Control Settings

The temperature range of the wine center/beverage and wine center is intended for 41°F (5°C) to 61°F (16,1°C). The display shows the average temperature of the appliance. It is normal for the actual temperature to vary slightly during operation.

Auto Temperature Setting

When the appliance is plugged in or the “+” pad is pressed, the appliance runs on the “Auto Bev” setting of 44°F (6,7°C) and the “Auto Bev” indicator light in the upper left corner stays lit.

Note: Display will flash when the “+” pad is pressed.

Normal Temperature Setting

The temperature of the appliance can be set anywhere between 41°F (5°C) to 61°F (16,1°C) by the “+” and “-” pads.

1. Press and hold the SET pad. You will hear a series of 2 beeps.
2. After the second beep, press the “+” and “-” pads to increase or decrease the desired temperature in increments of one degree. During this time the display will flash.


3. Press SET to confirm your choice. The display will stop flashing. If no confirmation is made in ten seconds, the unit will automatically accept your change.

NOTE: When you change the temperature setting, there may be a 5-minute delay until the compressor starts to run.


Fahrenheit and Celsius

The temperature display can be changed between Fahrenheit and Celsius by pressing and holding the “+” pad for approximately 5 seconds.

Indicator Light

The  indicator is lit when the compressor is running to cool your unit. It will not be lit when the compressor is idle.

Interior Light

To switch the interior light on/off, simply press the  pad.

When the Wine Center/Beverage and Wine Center is Plugged In

After plugging in the wine center/beverage and wine center and setting the desired temperature, allow the appliance to reach the set temperature before loading your wine. The temperature may take up to 12 hours to completely stabilize.

After loading the wine and/or beverages, you may notice the actual temperature rise. This is normal. The actual temperature will continue to change as the wine and/or beverages are cooled to the set temperature. The temperature may take up to 12 hours to completely stabilize.

A guide with wine serving temperature suggestions is located on the inside right portion of the unit. It gives recommended temperatures for different wines, as well as instructions on adjusting the temperature of the wine center/beverage and wine center

NOTE: The exterior of the cabinet may get warm. This is normal.

Suggested Wine Storage & Serving Temperatures

Serving Temperatures:
 40-50°F Sparkling Wines
 43-53°F Whites
 50-55°F Full Bodied Whites
 50-60°F Light Reds
 55-65°F Medium Bodied Reds
 62-67°F Full Bodied Reds

Optimal Wine Storage: 55°F

Adjust Temperature:

1. Press & Hold 
2. Adjust Temp using  or 
3. Press  to Confirm

Interior Light

You can turn the light **ON** or **OFF** by pushing the light switch located on the right side of the control panel housing. If the interior light is left on, it will raise the inside temperature.

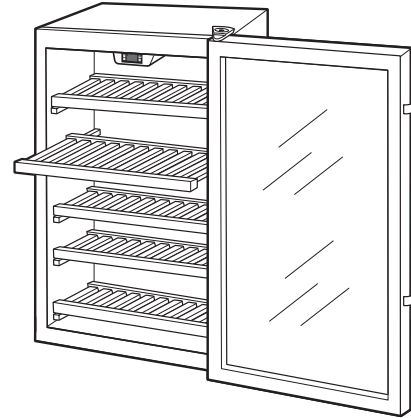
GVS04 Beverage and Wine Center Only

Wooden Shelves

Wooden shelves in the beverage and wine center are removable for easy cleaning and for storing larger items.

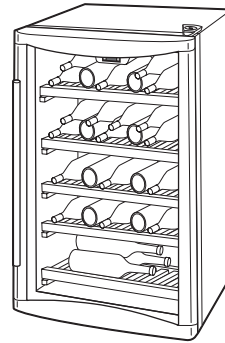
To remove a shelf, open the door completely to avoid potential damage to the shelf. Lift slightly and pull the shelf forward. The shelf may fit tightly in the track.

To replace a shelf, open the door completely to avoid potential damage to the shelf. Slide the shelf into the tracks along the sides of the cabinet until it stops.

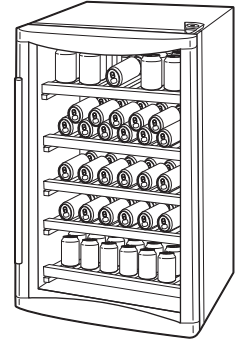


Wine and Beverage Loading

As with any refrigeration product, there is a slight temperature variance at different locations within the cabinet.



Suggested bottle arrangement for wine—full load (holds 31 wine bottles)



Suggested arrangement for other beverages—full load (holds 109 beverages)

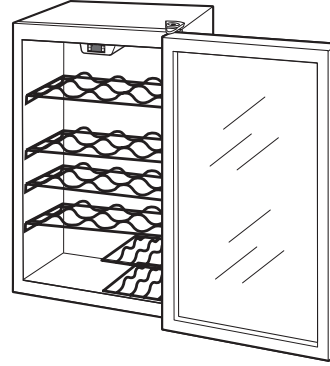
GWS04 Wine Center Only

Wine Racks

Wine racks in the wine center are removable for easy cleaning and for storing larger items.

To remove a shelf, open the door completely to avoid potential damage to the shelf. Lift slightly and pull the shelf forward. The shelf may fit tightly in the track.

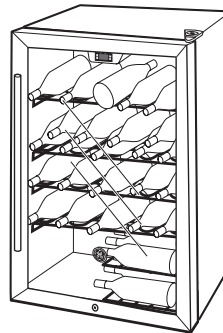
To replace a shelf, open the door completely to avoid potential damage to the shelf. Slide the shelf into the tracks along the sides of the cabinet until it stops.



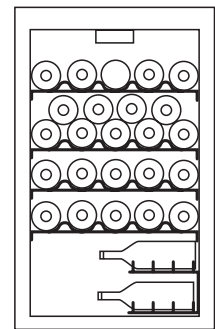
Wine Loading

As with any refrigeration product, there is a slight temperature variance at different locations within the cabinet.

This wine center holds 30 bottles at full capacity. The second wine rack is designed with extra height. This allows the storage of larger magnum bottles or the stacking of typical sized bottles.



Suggested bottle arrangement for wine.



Care and Cleaning

Cleaning the Outside

IMPORTANT: Unplug the wine center/beverage and wine center before cleaning.

Keep the outside clean. The cabinet can be washed with mild soap and water. Clean with a damp cloth. Never use abrasive scouring powders.

Use a glass cleaner or mild soap and water and a soft cloth to clean the glass door. Do not use any abrasive powders.

Do not wipe the appliance with a soiled dishcloth or towel. These may leave a residue that can erode the paint. Do not use scouring pads, powdered cleaners, bleach or cleaners containing bleach because these products can scratch and weaken the paint finish.

The stainless steel door frame and door handles (GWS04 models) can be cleaned with a commercially available stainless steel cleaner. Cleaners with oxalic acid such as Bar Keepers Friend Soft Cleanser™ will remove surface rust, tarnish and small blemishes. Use only a liquid cleanser free of grit and rub in the direction of the brush lines with a damp soft sponge. Do not use appliance wax or polish on the stainless steel.

Protect the paint finish. The finish on the outside of the wine center/beverage and wine center is a high-quality, baked-on paint finish. With proper care, it will stay new-looking and rust-free for years. Apply a coat of kitchen/appliance wax when the wine chiller is new, and then at least twice a year.

Cleaning the Inside

IMPORTANT: Unplug the wine center/beverage and wine center before cleaning.

To clean the inner liner and racks, use a warm water and baking soda solution—about one tablespoon (15 ml) of baking soda to a quart (1 liter) of water. This both cleans and neutralizes odors. Clean with a damp cloth.

The vinyl door gasket may be cleaned with mild soap and water or a baking soda solution.

Do not use detergents, scouring powders, spray cleaners or other harsh chemicals to clean the interior.

For GVS04 Models: To avoid water stains on the wood shelves, clean up and dry any liquid spills immediately.

Wipe the control panel with a damp cloth. Dry thoroughly. Do not use cleaning sprays, large amounts of soap and water, abrasives or sharp objects on the panel—they can damage it. Some paper towels can also scratch the control panel.

Automatic Defrosting

The model uses the compressor on/off cycling to defrost automatically (compressor stop, temperature rises).

Never use a heater of any kind, scraper or sharp instrument to remove frost as it may damage the wine center/beverage and wine center.

NOTE: The drain pan above the compressor may be full following defrost. Check to make sure no water spills when moving the unit.

In the Event of a Power Failure

If the power fails, open the door as infrequently as possible to maintain the temperature. A gradual rise in temperature should not have any adverse effect on the wine.

If it is extremely hot, you may want to unload the wine from the beverage center/wine chiller and move the wine to a cooler location until power is restored.

The controls may maintain your temperature settings when the power has been restored. If your settings are not correct, reset according to the Control Settings section.

Preparing to Move

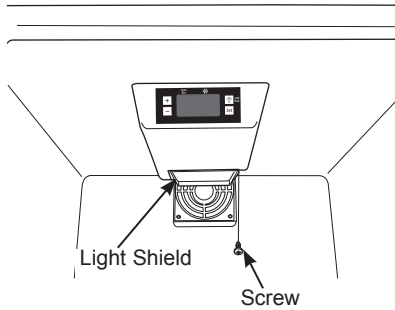
Unload the wine, then secure the racks by taping them in place to prevent damage.

Be sure the beverage center/wine chiller stays in an upright position during the move.

Replacing the Light Bulb

⚠ WARNING Before replacing a burned-out light bulb, the refrigerator should be unplugged in order to avoid contact with a live wire filament. (A burned-out light bulb may break when being replaced.)

Turning the control to the OFF position does not remove power to the light circuit.



1. Unplug the wine center/beverage and wine center.
2. Remove any beverages and shelves as needed for access.

3. The light bulb is located behind a light shield in the ceiling of the wine center/beverage and wine center near the back. To remove the light shield, remove the screw on the right side of the light shield.
4. Pull down on the back of the light shield to release the two front tabs.
5. Unscrew the light bulb from the socket.
6. Replace with a 15 watt, 120 volt bulb. This type of bulb is available at most hardware and automotive parts stores.

⚠ WARNING Using a bulb rated higher than 15 watts may damage the electronic controls on the wine center/beverage and wine center.

7. Reinstall the light shield.
8. Replace the top shelf and beverages.
9. Plug in the wine center/beverage and wine center

Installation Instructions

Models GVS04 and GWS04

Questions? Call 800.GE.CARES (800.432.2737) or visit our Website at: GEAppliances.com
 In Canada, call 1.800.561.3344 or visit our Website at: www.GEAppliances.ca

REMOVING THE PACKAGING

Before using the Wine Center/Beverage and Wine Center, be sure all packing materials and tape have been removed, including the protective film covering the control and any film protecting the cabinet.

If you are discarding an old refrigeration product, remove the doors to reduce the danger of children being trapped inside.

INSTALLATION GUIDELINES

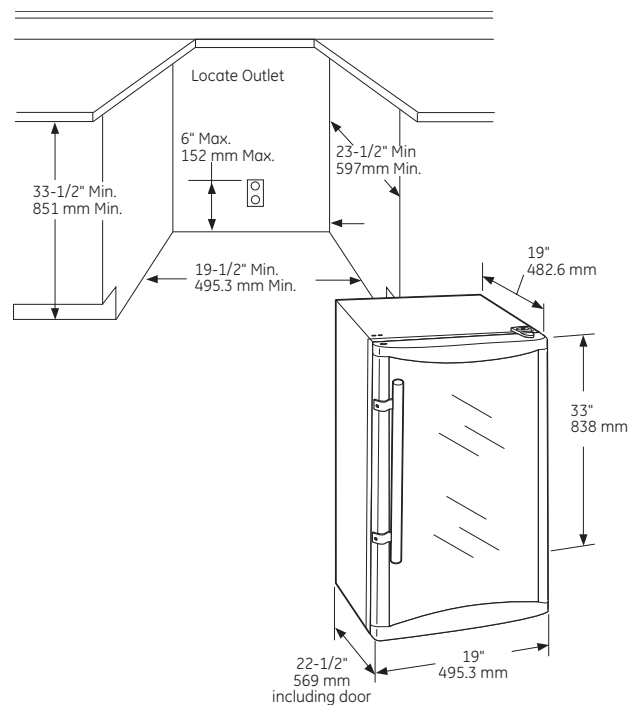
- The Wine Center/Beverage and Wine Center can be freestanding or can be installed under the counter, with proper clearances.
- Allow the following clearances for ease of installation, proper air circulation and electrical connections:

Each side	0"
Top	0"
Back	0"
- Before connecting the appliance to the power source, let it stand upright for approximately 2 hours. This will reduce the possibility of a malfunction in the cooling system from handling during transportation.
- Do not install the Wine Center/Beverage and Wine Center where the temperature will go below 55°F (12,7°C) or above 90°F (32,2°C). If the room temperature is below the temperature setting, the Wine Center/Beverage and Wine Center will not operate (for instance, if the room is at 55°F (12,7°C) and the setting is 60°F (15,6°C), the unit will not run).
- Install it on a level floor.
- Do not install the Wine Center/Beverage and Wine Center where it will be subject to direct sunlight, heat or moisture.
- Do not store or install this appliance outdoors.

BUILT-IN INSTALLATION

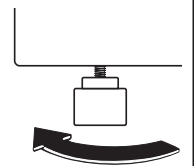
The cutout dimension shown, allows for door swing and access to the pull-out shelves when installed as a built-in appliance. If installing between frameless cabinets, a 1/2" wide filler strip or side panel may be needed on hinge side. The filler strip will act as a spacer between the appliance case and adjacent cabinet door swing. The width of the opening must include the filler strip.

NOTE: The door should protrude 1" beyond the surrounding cabinets.



LEVELING LEGS

Adjustable legs at the front corners of the Wine Center/Beverage and Wine Center should be set so the Wine Center/Beverage and Wine Center is firmly positioned on the floor, with a 1/8" tilt to the back to help the door closure.



To adjust the leveling legs, turn the legs counterclockwise to raise the beverage center/wine chiller, clockwise to lower it.

To raise the appliance

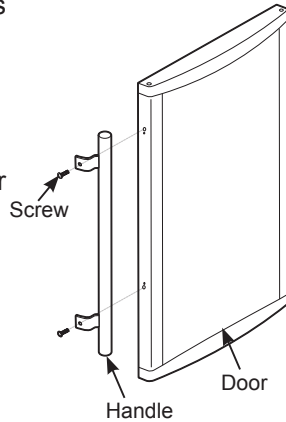
Installation Instructions

GVS04 Models Only

DOOR HANDLE

The door handle and screws are shipped in a hardware bag attached to one of the shelves inside the cabinet.

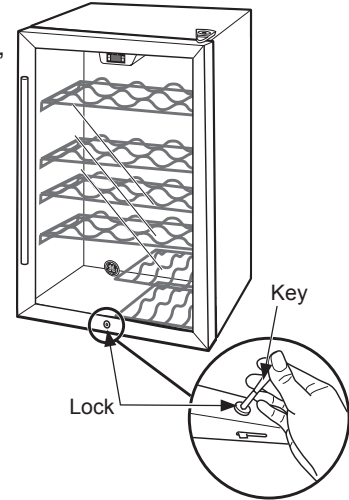
Locate the door handle and two screws. Secure the door handle to the side of the door as shown.



DOOR LOCK

To secure the door lock, push the key in and rotate 90° clockwise.

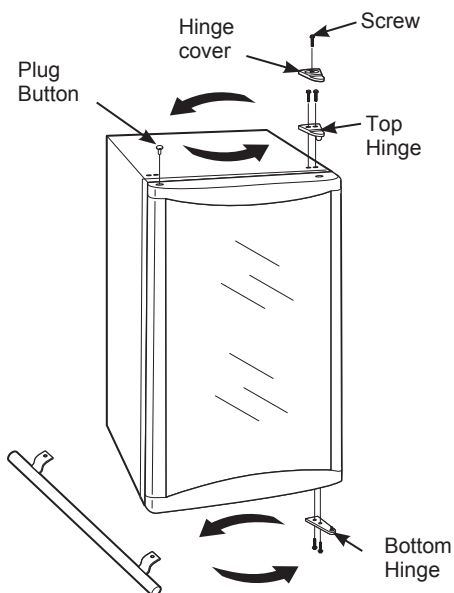
To unlock, push the key in and rotate 90° counter-clockwise.



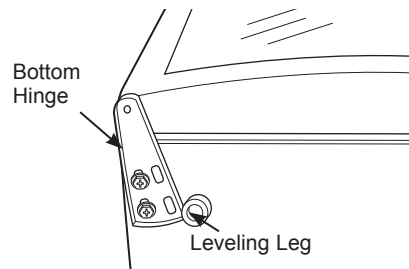
REVERSING THE DOOR

1. Unplug the beverage and wine center.
2. Tape the door shut with masking tape to secure alignment.
3. Remove the top hinge cover by removing the screw.
4. Remove the 2 screws securing the top hinge to the frame.
5. Lean the beverage center backward to access the bottom hinge.
6. Remove the 2 screws securing the bottom hinge assembly to the frame.

NOTE: If you lay the unit on its back, be sure to let it stand upright for at least 2 hours before connecting to the power source; this will reduce the possibility of a malfunction in the cooling system.



7. Remove the Plug Button from the top left side of the door.
8. Install the Plug Button into the hinge hole on the right side. Press firmly to secure.
9. If the handle has been installed, remove it and install it on the opposite side. Refer to Door Handle section for instructions.
10. Hold the door securely in place and install the bottom hinge on the opposite side.
11. Install the top hinge and cover on the opposite side. Make sure the door is aligned with the cabinet before tightening the screws.
12. Remove the tape. Open and close the door to check alignment with the cabinet. If necessary, loosen the screws on the bottom hinge, realign the door, and retighten the screws.
13. Plug in the beverage and wine center.
NOTE: If you had to lay the unit on its back, be sure to let it stand upright for at least 2 hours before connecting it to the power source; this will reduce the possibility of a malfunction in the cooling system.
14. Set the temperature controls to the desired setting.



Troubleshooting Tips... Before you call for service

Save time and money! Review the charts on the following pages first and you may not need to call for service. If needed, service can be scheduled by visiting us online GEAppliances.com or calling 800.GECARES 800.432.2737. In Canada visit GEAppliances.ca or call 800.561.3344.

Problem	Possible Causes	What to Do
Appliance does not operate and the display is blank	Appliance is unplugged.	Push the plug completely into the outlet.
	The home circuit breaker is tripped/the fuse is blown.	Replace fuse or reset the breaker.
Vibration or rattling (slight vibration is normal)	Appliance is on an uneven surface.	See the <i>Leveling Legs</i> section.
Motor operates for long periods or cycles	Normal when appliance is first plugged in.	Wait 12 hours for the appliance to completely cool down.
	Often occurs when large amounts of wine are placed in appliance.	This is normal.
	Door left open.	Door is not self-closing. Always make sure that the door is closed after opening. Check to see if a bottle is holding door open.
	Hot weather or frequent door openings.	This is normal.
	Temperature control set at the coldest setting.	See About the control and settings .
	Appliance is too close to the wall.	See the Installation Guidelines section for the correct clearances.
Appliance too warm	Normal when appliance is first plugged in.	Wait 12 hours for the appliance to completely cool down.
	Often occurs when large amounts of wine are placed in appliance.	This is normal.
	Temperature control not set cold enough.	See About the control and settings .
	Warm weather or frequent door openings.	Set the temperature control one step colder.
		See About the control and settings .
	Appliance is too close to the wall.	See the Installation Guidelines section for the correct clearances.
	Door left open.	Door is not self-closing. Always make sure that the door is closed after opening. Check to see if a bottle is holding door open.
Appliance does not operate, but the display is lit and functioning temperature.	Setting is above room temperature.	This is normal. If wine and/or beverages are too warm, change the temperature setting to a lower.

Troubleshooting Tips... Before you call for service

Problem	Possible Causes	What To Do
Appliance has odor	Interior needs cleaning.	See Care and cleaning .
Moisture forms on outside of appliance	Not unusual during periods of high humidity.	Wipe surface dry.
Moisture collects inside (in humid weather, air carries moisture into appliance when door is opened)	Too frequent or too long door openings.	
	Wine bottles touching the back wall.	Reposition bottles.
Frost forms on interior surfaces of appliance	This is normal.	See the <i>Defrosting</i> section.
	Door left open.	Excessive frost may form if the door is left open. See the <i>Defrosting</i> section. Door is not self-closing. Always make sure that the door is closed after opening. Check to see if a bottle is holding door open.
Appliance too cold	Temperature control is set too cold.	See About the control and settings .
	The room temperature where the appliance is located is too cold.	For proper operation, the room temperature should be equal to or greater than the set temperature of the appliance.
Temperature in the display is not the temperature that was just set.	This is normal.	After you set the temperature, the display will go back to showing the actual temperature.
Condensation on front of door	Appliance is located in a high humidity environment.	Wipe off the condensation with a clean, dry cloth.
		Locate the appliance in a lower humidity environment.
Water on floor behind appliance	Door left open.	Door is not self-closing. Always make sure that the door is closed after opening. Check to see if a bottle is holding door open.
	Tilting unit when moving.	This is normal. The drain pan above the compressor may be full following defrost. Check to make sure no water spills when moving the unit.
GWS04 Wine Center Only		
Rust, tarnish, or grime on stainless steel doors	Moist environment or salt air.	Clean stainless steel with cleaners containing oxalic acid (e.g. Bar Keepers Friend Soft Cleanser) will remove rust, lime, and other tarnish. Do not wipe the appliance with a soiled dish cloth or wet towel. Do not use scouring pads, powdered cleaners, bleach or cleaners containing bleach because these products can scratch and ruin the brush finish of the stainless steel.

Wine Center/Beverage and Wine Center Warranty

WARRANTY

GEAppliances.com

All warranty service is provided by our Factory Service Centers, or an authorized Customer Care® technician. To schedule service online, visit us at www.geappliances.com/service_and_support/, or call GE Appliances at 800.GE.CARES (800.432.2737). Please have your serial number and your model number available when calling for service.

In Canada, call 800.561.3344.

For the Period of:	GE Appliances Will Replace
One Year From the date of the original purchase	Any part of the refrigerator which fails due to a defect in materials or workmanship. During the limited one-year warranty , GE Appliances will also provide, free of charge , all labor and related service to replace the defective part.

What GE Appliances Will Not Cover:

- Service trips to your home to teach you how to use the product.
- Improper installation, delivery or maintenance.
- Failure of the product if it is abused, misused, or used for other than the intended purpose or used commercially.
- Loss of beverages due to spoilage.
- Replacement of house fuses or resetting of circuit breakers.
- Damage caused after delivery.
- Replacement of the light bulbs, if included, or water filter cartridge, if included, other than as noted above.
- Damage to the product caused by accident, fire, floods or acts of God.
- Incidental or consequential damage caused by possible defects with this appliance.
- Product not accessible to provide required service.
- Damage to finish, such as surface rust, tarnish, or small blemishes not reported within 48 hours of delivery..

EXCLUSION OF IMPLIED WARRANTIES—Your sole and exclusive remedy is product repair as provided in this Limited Warranty. Any implied warranties, including the implied warranties of merchantability or fitness for a particular purpose, are limited to one year or the shortest period allowed by law.

For US Customers: This warranty is extended to the original purchaser and any succeeding owner for products purchased for home use within the USA. If the product is located in an area where service by a GE Authorized Servicer is not available, you may be responsible for a trip charge or you may be required to bring the product to an Authorized GE Service location for service. In Alaska, the warranty excludes the cost of shipping or service calls to your home.

Some states do not allow the exclusion or limitation of incidental or consequential damages. This warranty gives you specific legal rights, and you may also have other rights which vary from state to state. To know what your legal rights are, consult your local or state consumer affairs office or your state's Attorney General.

Warrantor US: GE Appliances

For Customers in Canada: This warranty is extended to the original purchaser and any succeeding owner for products purchased in Canada for home use within Canada. In-home warrant service will be provided in areas where it is available and deemed reasonable by Mabe to provide.

Warrantor Canada: MC Commercial, Burlington, Ontario, L7R 5B6

Staple your receipt here. Proof of the original purchase date is needed to obtain service under the warranty.

Consumer Support

GE Appliances Website

Have a question or need assistance with your appliance? Try the GE Appliances Website 24 hours a day, any day of the year! You can also shop for more great GE Appliances products and take advantage of all our on-line support services designed for your convenience. In the US: GEAppliances.com In Canada: GEAppliances.ca

Register Your Appliance

Register your new appliance on-line at your convenience! Timely product registration will allow for enhanced communication and prompt service under the terms of your warranty, should the need arise. You may also mail in the pre-printed registration card included in the packing material.

In the US: GEAppliances.com/register

In Canada: Prodsupport.mabe.ca/crm/Products/ProductRegistration.aspx

Schedule Service

Expert GE Appliances repair service is only one step away from your door. Get on-line and schedule your service at your convenience any day of the year. In the US: GEAppliances.com/ge/service-and-support/service.htm or call 800.432.2737 during normal business hours.

In Canada: GEAppliances.ca/en/support/service-request or call 800.561.3344

Extended Warranties

Purchase a GE Appliances extended warranty and learn about special discounts that are available while your warranty is still in effect. You can purchase it on-line anytime. GE Appliances Services will still be there after your warranty expires.

In the US: GEAppliances.com/ge/service-and-support/shop-for-extended-service-plans.htm

or call 800.626.2224 during normal business hours.

In Canada: GEAppliances.ca/en/support/purchase-extended-warranty or call 800.290.9029

Remote Connectivity

For assistance with wireless network connectivity (for models with remote enable), visit our website at GEAppliances.com/ge/connected-appliances/ or call 800.220.6899 in the US only.

Parts and Accessories

Individuals qualified to service their own appliances can have parts or accessories sent directly to their homes (VISA, MasterCard and Discover cards are accepted). Order on-line today 24 hours every day.

In the US: GEApplianceparts.com or by phone at 877.959.8688 during normal business hours.

Instructions contained in this manual cover procedures to be performed by any user. Other servicing generally should be referred to qualified service personnel. Caution must be exercised, since improper servicing may cause unsafe operation.

Customers in Canada should consult the yellow pages for the nearest Mabe service center, visit our website at GEAppliances.ca/en/products/parts-filters-accessories or call 800.661.1616.

Contact Us

If you are not satisfied with the service you receive from GE Appliances, contact us on our Website with all the details including your phone number, or write to:

In the US: General Manager, Customer Relations | GE Appliances, Appliance Park | Louisville, KY 40225

GEAppliances.com/ge/service-and-support/contact.htm

In Canada: Director, Consumer Relations, Mabe Canada Inc. | Suite 310, 1 Factory Lane | Moncton, N.B. E1C 9M3

GEAppliances.ca/en/contact-us



REFROIDISSEUR À VINS / REFROIDISSEUR À VINS ET À BOISSONS

CONSIGNES DE SÉCURITÉ	3
UTILISATION DE L'APPAREIL	
Commandes	5
Refroidisseur à vins et à boissons GVS04	6
Refroidisseur à vins GWS04.....	7
ENTRETIEN ET NETTOYAGE	8
Entretien et nettoyage	9
INSTRUCTIONS	
D'INSTALLATION	10
Modèles GVS04 uniquement	11
CONSEILS DE DÉPANNAGE ...	12
GARANTIE	15
SOUTIEN	
AU CONSOMMATEUR	16

MANUEL D'UTILISATION ET D'INSTALLATION

Refroidisseur à vins GWS04
Refroidisseur à vins et à boissons
GVS04

FRANÇAIS

Notez ici les numéros de modèle et de série :

Numéro de modèle : _____

Numéro de série : _____

Vous trouverez ces numéros à l'intérieur du refroidisseur à vins/à boissons sur le côté gauche.

NOUS VOUS REMERCIONS D'ACCUEILLIR GE APPLIANCES CHEZ VOUS

Que vous ayez grandi avec GE Appliances ou qu'il s'agisse de votre première acquisition, nous sommes heureux de vous accueillir dans notre famille.

Nous sommes fiers du savoir-faire, de l'innovation et de l'esthétique qui composent chaque appareil GE Appliances, et nous pensons que vous le serez aussi.



GE APPLIANCES

IMPORTANTES CONSIGNES DE SÉCURITÉ

LISEZ TOUTES LES CONSIGNES AVANT D'UTILISER CET APPAREIL

⚠ AVERTISSEMENT

Pour réduire le risque d'incendie, d'explosion, de choc électrique ou de blessures lorsque vous utilisez votre Refroidisseur à vins/Refroidisseur à vins et à boissons, veuillez suivre ces consignes de sécurité :

- Ce Refroidisseur À Vins/Refroidisseur à vins et à boissons doit être correctement installé et positionné conformément aux Instructions d'Installation avant toute utilisation.
- Débranchez l'appareil avant d'effectuer une réparation, de remplacer une ampoule ou de le nettoyer. REMARQUE: L'alimentation de l'appareil ne peut être déconnectée par aucune des fonctions sur le panneau de commande. REMARQUE : Les réparations doivent être effectuées par un professionnel qualifié.
- Remettez toutes les pièces et panneaux en place avant d'utiliser l'appareil.
- Ne stockez pas ou n'utilisez pas d'essence ou d'autres vapeurs et liquides inflammables à proximité de cet appareil ou de tout autre appareil électroménager.
- Nous déconseillons fortement l'utilisation d'une rallonge électrique à cause des risques potentiels dans certaines conditions. Cependant, si l'utilisation d'une rallonge électrique est nécessaire, cette dernière doit obligatoirement être homologuée UL (aux USA), à trois brins avec mise à la terre pour appareil électroménager et doit être équipée d'une fiche et d'une prise femelle avec terre. Les caractéristiques électriques de la rallonge doivent être de 15 ampères (minimum) et de 120 volts.
- Pour éviter tout risque de suffocation ou d'enfermement, retirez les portes de tout appareil électroménager avant de le mettre au rebut ou si vous arrêtez de l'utiliser.
- Ne laissez pas les enfants grimper, se mettre debout ou se suspendre aux poignées de portes ou les clayettes du Refroidisseur à vins/Refroidisseur à vins et à boissons. Ils pourraient se blesser gravement.

⚠ ATTENTION

Pour réduire le risque de blessures lorsque vous utilisez votre Refroidisseur à vins/Refroidisseur à vins et à boissons, veuillez suivre ces consignes de sécurité :

- Ne nettoyez pas les clayettes ou les couvercles en verre avec de l'eau tiède quand ceux-ci sont froids. Les étagères et couvercles en verre peuvent se casser s'ils sont exposés à des changements soudains de température ou si vous les cognez ou les faites tomber. Le verre trempé est conçu pour se briser en petits morceaux en cas de casse.
- Éloignez les doigts des parties où l'on peut facilement se pincer : les espaces entre les portes, et entre les portes et les placards sont toujours étroits. Soyez prudent lorsque vous fermez les portes du refroidisseur en présence d'enfants.
- Ne recongelez pas les aliments surgelés qui ont complètement dégelés.
- Si votre Refroidisseur à vins / Refroidisseur à vins et à boissons est doté d'une machine à glaçons automatique, évitez le contact avec les pièces mobiles du mécanisme éjecteur, ou avec l'élément chauffant qui libère les glaçons. Ne posez pas les doigts ou les mains sur le mécanisme de la machine à glaçons automatique pendant que le refroidisseur est branché.

AVERTISSEMENT RELATIF À LA PROPOSITION 65 DE LA CALIFORNIE :

⚠ AVERTISSEMENT

Ce produit contient une ou plusieurs substances chimiques reconnues par l'État de la Californie comme cancérigènes, tératogènes ou ayant des effets nuisibles sur le système reproductif.

INSTALLATION

⚠ AVERTISSEMENT



RISQUE D'EXPLOSION

Garder les matériaux et les vapeurs inflammables, tels que l'essence, à l'écart du Refroidisseur à vins / Refroidisseur à vins et à boissons. Une explosion, un incendie voire la mort pourrait en résulter.

LISEZ ET CONSERVEZ CES INSTRUCTIONS

IMPORTANTES CONSIGNES DE SÉCURITÉ

LISEZ TOUTES LES CONSIGNES AVANT D'UTILISER CET APPAREIL

BRANCHEMENTS ÉLECTRIQUES

⚠ AVERTISSEMENT



RISQUE DE CHOC ÉLECTRIQUE

Branchez l'appareil dans une prise triple avec terre.

Ne retirez pas la broche de terre.

N'utilisez pas d'adaptateur.

Le non-respect de ces règles peut entraîner des risques d'incendies, des chocs électriques ou la mort.

Ne coupez pas ou n'enlevez pas, sous aucun prétexte, la troisième broche de mise à la terre du cordon d'alimentation. Pour des raisons de sécurité, cet appareil doit être correctement mis à la terre.

Le cordon d'alimentation de cet appareil est équipé d'une fiche à trois broches (pour une mise à la terre) qui s'adapte à la prise de courant standard à 3 broches (pour une mise à la terre) pour minimiser les risques de chocs électriques par cet appareil.

Faites vérifier la prise murale et le circuit électrique par un électricien qualifié pour s'assurer que le système est correctement mis à la terre.

Dans le cas d'une prise biphasée, l'installateur a la responsabilité et l'obligation de la remplacer par une prise triphasée correctement mise à la terre. N'utilisez pas d'adaptateur.

Le Refroidisseur à vins / Refroidisseur à vins et à boissons doit toujours être branché à sa propre prise électrique d'une tension nominale correspondant à celle indiquée sur sa plaque signalétique.

Une alimentation électrique à 115 volts CA, 60 Hz, avec un fusible de 15 ou 20 ampères et une mise à la terre est nécessaire. Ceci permet d'obtenir un meilleur rendement et évite de surcharger les circuits électriques du domicile qui risque d'occasionner un incendie en surchauffant.

Ne débranchez jamais l'appareil en tirant sur le cordon d'alimentation. Prenez toujours fermement la fiche en main et tirez pour la sortir de la prise.

Réparez ou remplacez immédiatement tout cordon électrique usé ou endommagé. N'utilisez pas un cordon fissuré ou présentant des dommages dus aux frottements soit sur sa longueur ou aux extrémités.

Lorsque vous éloignez l'appareil du mur, faites attention à ne pas le faire rouler sur le cordon d'alimentation afin de ne pas l'endommager.

ÉLIMINATION APPROPRIÉE DE VOTRE ANCIEN APPAREIL

⚠ AVERTISSEMENT

RISQUE DE SUFFOCATION OU D'ENFERMEMENT D'UN ENFANT

Retirez la porte du refroidisseur à vins / refroidisseur à vins et à boissons avant de le mettre au rebut. Le non-respect de cette recommandation peut entraîner l'enfermement d'un enfant qui peut entraîner la mort ou des lésions cérébrales.

IMPORTANT : Les enfants pris au piège ou morts d'asphyxie sont toujours d'actualité. Les appareils jetés ou abandonnés restent dangereux même si vous ne les laissez au rebut que pour « quelques jours ». Si vous voulez jeter votre ancien appareil, suivez les instructions suivantes pour empêcher les accidents.

Avant de mettre votre ancien Refroidisseur à vins / Refroidisseur à vins et à boissons au rebut

- Retirez la porte de l'appareil.
- Laissez les clayettes en place afin d'empêcher les enfants de grimper à l'intérieur.

Fluides frigorigènes

Les appareils réfrigérants contiennent des fluides frigorigènes qui conformément à la législation fédérale doivent être retirés avant la mise au rebut de l'appareil. Si vous mettez au rebut un ancien appareil contenant des fluides frigorigènes, vérifiez la procédure à suivre auprès de la compagnie responsable de l'élimination.

LISEZ ET CONSERVEZ CES INSTRUCTIONS

Voyant lumineux
Auto Bev (boisson
automatique)



Réglage des commandes

La plage de température du refroidisseur à vins / refroidisseur à vins et à boissons est de 41°F (5°C) à 61°F (16,1°C). La température moyenne dans l'appareil est affichée à l'écran. Il est normal que la température réelle varie légèrement pendant le fonctionnement.

Réglage automatique de la température

Lorsque l'appareil est branché ou lorsque l'on appuie sur la touche « + », l'appareil fonctionne avec le réglage « Auto Bev » à 44°F (6,7°C) et le voyant lumineux « Auto Bev » en haut à gauche reste allumé.

Remarque : L'affichage clignote lorsque l'on appuie sur la touche « + ».

Réglage normal de la température

La température l'appareil peut être réglée à toutes températures entre 41°F (5°C) et 61°F (16,1°C) à l'aide des touches « + » et « - ».

1. Appuyez sur la touche SET en la maintenant. Vous entendrez alors 2 bips.
2. Après le deuxième bip, appuyez sur les touches « + » et « - » pour augmenter ou diminuer la température par incrément d'un degré. Pendant ce temps, l'affichage clignotera.

3. Appuyez sur la touche SET pour valider votre choix. L'affichage arrêtera de clignoter. Si la validation n'est pas effectuée dans les dix secondes, l'appareil acceptera automatiquement votre modification.

REMARQUE : Lorsque vous modifiez la température de consigne, il y a un délai de 5 minutes avant que le compresseur ne se mette en marche.

Fahrenheit et Celsius

La température peut être affichée en Celsius ou en Fahrenheit en appuyant et en maintenant la touche « + » pendant environ 5 secondes.



Voyant lumineux

Le voyant lumineux xxx est allumé lorsque le compresseur est en fonctionnement pendant la réfrigération. Il est éteint lorsque le compresseur est en attente



Éclairage intérieur

Pour allumer ou éteindre l'éclairage intérieur, appuyez simplement sur la touche.

Lorsque le Refroidisseur à vins / Refroidisseur à vins et à boissons est branché

Après avoir branché le refroidisseur à vins / refroidisseur à vins et à boissons et avoir réglé l'appareil à la température désirée, laissez l'appareil atteindre la température de consigne avant de mettre votre vin à refroidir. La stabilisation complète de la température peut prendre jusqu'à 12 heures.

Après le chargement des vins et / ou des boissons dans l'appareil, vous remarquerez peut-être une augmentation de la température. C'est normal. La température réelle continuera à varier pendant que le vin et les boissons sont refroidis à la température de consigne. La stabilisation complète de la température peut prendre jusqu'à 12 heures.

Un guide recommandant les températures de dégustation du vin est situé sur le côté intérieur gauche de l'appareil. Les températures recommandées pour différents vins sont données ainsi que les instructions pour régler la température du refroidisseur à vin / refroidisseur à vins et à boissons.

REMARQUE : L'extérieur de l'appareil peut devenir chaud. C'est normal.

Suggested Wine Storage & Serving Temperatures

Serving Temperatures:

40-50°F	Sparkling Wines
43-53°F	Whites
50-55°F	Full Bodied Whites
50-60°F	Light Reds
55-65°F	Medium Bodied Reds
62-67°F	Full Bodied Reds

Optimal Wine Storage: 55°F

Adjust Temperature:

1. Press & Hold **Set**
2. Adjust Temp using **+** or **-**
3. Press **Set** to Confirm

Éclairage intérieur

Vous pouvez ALLUMER ou ÉTEINDRE la lampe en appuyant sur le commutateur situé sur le côté droit du tableau de commande. Si la lampe intérieure reste allumée, la température dans l'appareil sera plus élevée.

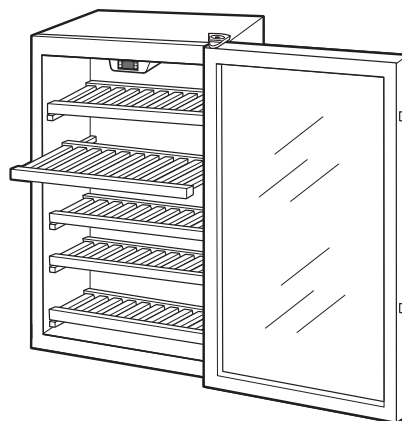
Refroidisseur à vins et à boissons GVS04 uniquement

Clayettes en bois

Les clayettes en bois de votre refroidisseur à vins et à boissons peuvent être retirées pour faciliter le nettoyage et pour entreposer des articles volumineux.

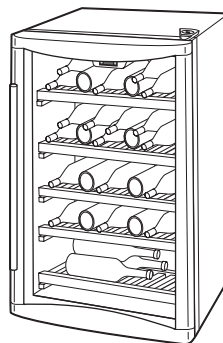
Pour retirer une clayette, ouvrez la porte complètement afin de ne pas endommager la clayette. Levez légèrement et tirez la clayette vers vous. Il est possible que la clayette soit bien ajustée dans les rainures.

Pour remplacer une clayette, ouvrez la porte complètement afin de ne pas endommager la clayette. Faites glisser la clayette dans les rainures sur les côtés de l'appareil jusqu'à la butée.

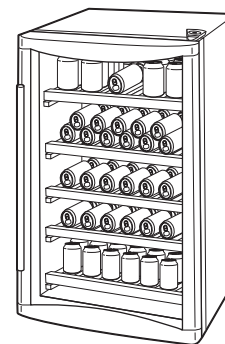


Disposition des boissons et des bouteilles de vin

Comme dans tout appareil de réfrigération, la température peut varier légèrement d'un endroit à l'autre à l'intérieur de l'appareil.



Suggestion de disposition des bouteilles de vins – pleine charge (contient 31 bouteilles de vin)



Suggestion de disposition d'autres boissons – pleine charge (contient 109 boissons)

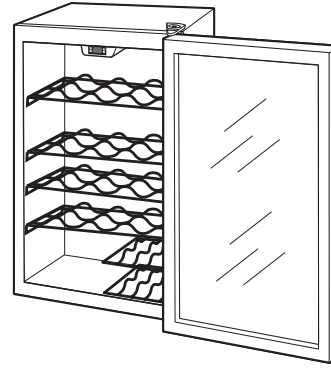
Refroidisseur à vins GWS04 uniquement

Porte-bouteille

Les clayettes de votre refroidisseur à vins peuvent être retirées pour faciliter le nettoyage et pour entreposer des articles volumineux.

Pour retirer une clayette, ouvrez la porte complètement afin de ne pas endommager la clayette. Levez légèrement et tirez la clayette vers vous. Il est possible que la clayette soit bien ajustée dans les rainures.

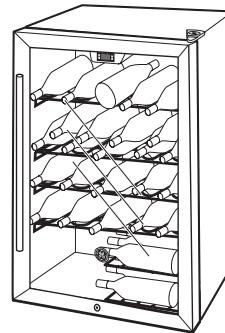
Pour remplacer une clayette, ouvrez la porte complètement afin de ne pas endommager la clayette. Faites glisser la clayette dans les rainures sur les côtés de l'appareil jusqu'à la butée.



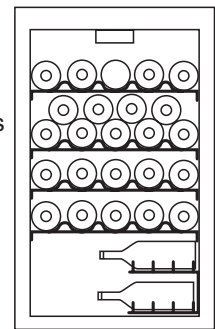
Disposition des bouteilles de vin

Comme dans tout appareil de réfrigération, la température peut varier légèrement d'un endroit à l'autre à l'intérieur de l'appareil.

Ce refroidisseur à vins contient 30 bouteilles à pleine capacité. Le second porte-bouteille est conçu avec une hauteur plus importante. Ceci permet le stockage de grandes bouteilles de type magnum ou pour empiler des bouteilles de taille typique.



Suggestions de dispositions des bouteilles de vins



Entretien et Nettoyage

Nettoyage de l'extérieur

IMPORTANT: Débranchez le refroidisseur à vins / refroidisseur à vins et à boissons avant de le nettoyer.

Maintenez l'extérieur du refroidisseur propre. L'appareil peut être nettoyé avec du savon doux et de l'eau. Nettoyez à l'aide d'un chiffon humide. Ne jamais utiliser de poudres à récurer abrasives.

Utilisez un nettoyant pour vitres ou un savon doux, de l'eau et un chiffon doux pour nettoyer la porte en verre. Ne pas utiliser de poudres abrasives.

Ne pas essuyer l'appareil avec un chiffon ou une serviette sale. Il pourrait laisser un résidu qui endommagerait la peinture. N'utilisez pas de tampons à récurer, de produits nettoyants en poudre, de javellisants ou de produits contenant du javellisant sous peine de rayer la finition et de la rendre moins résistante.

Le cadre et les poignées de porte en acier inox (sur modèles GWS04) peuvent être nettoyés avec un nettoyant spécialement formulé pour l'acier inoxydable. Des agents nettoyants contenant de l'acide oxalique tels que Bar Keepers Friend Soft Cleanser™ permettront de supprimer la rouille, les zones ternes et les petites imperfections. Utilisez uniquement un nettoyant liquide exempt de grains et frotter dans la direction des lignes de pinceau avec une éponge humide. N'utilisez pas de cire pour les meubles sur les surfaces en acier inox.

Protéger la peinture de finition. La finition sur l'extérieur du refroidisseur à vins / refroidisseur à vins et à boissons est d'une qualité supérieure avec une finition de peinture cuite au four. Avec un entretien adapté, celui-ci va garder son aspect neuf et sans rouille pendant des années. Appliquez une couche de cire cuisine/appareil lorsque le refroidisseur à vin est neuf, puis au moins deux fois par an.

Nettoyage de l'intérieur

IMPORTANT: Débranchez le refroidisseur à vins / refroidisseur à vins et à boissons avant de le nettoyer.

Utilisez une solution d'eau tiède et de bicarbonate de soude (environ une cuillère à soupe (15 ml) de bicarbonate de soude dans un litre d'eau) afin de nettoyer tout en neutralisant les odeurs. Nettoyez à l'aide d'un chiffon humide.

Le joint vinyle de la porte peut être nettoyé avec un savon doux et de l'eau ou une solution de bicarbonate de soude.

Ne pas utiliser de détergents, de poudres à récurer, de nettoyants en aérosol ou d'autres produits chimiques pour nettoyer l'intérieur.

Pour les modèles GVS04 : Pour éviter les traces d'eau sur les clayettes en bois, nettoyez et essuyez dès qu'un liquide a été renversé.

Essuyez le tableau de commande à l'aide d'un chiffon humide. Séchez soigneusement. N'utilisez pas de détergents en vaporisateur, de grandes quantités d'eau et de savon ou d'objets abrasifs ou coupants sur le tableau de commande – il pourrait être endommagé. Certaines serviettes en papier peuvent également rayer le tableau de commande.

Dégivrage automatique

Le modèle utilise le compresseur en cycle marche/arrêt pour un dégivrage automatiquement (si le compresseur s'arrête, la température augmente).

N'utilisez jamais de chauffage, de racloir ou d'objet pointu pour éliminer le givre. Cela pourrait endommager le refroidisseur

REMARQUE : Le bac de vidange au-dessus du compresseur peut être plein après un dégivrage. Vérifiez ce point pour éviter que de l'eau ne soit renversée en déplaçant l'appareil.

Dans le cas d'une panne de courant

En cas de panne de courant, ouvrez la porte le moins souvent possible pour maintenir la température. Une montée progressive de la température ne devrait pas avoir d'effet néfaste sur le vin.

S'il fait extrêmement chaud, il sera peut-être nécessaire de décharger le vin du refroidisseur / du refroidisseur à boissons et à vin et de l'entreposer dans un endroit frais jusqu'au retour d'une alimentation électrique.

Il est possible que le système ait gardé vos réglages de température lorsque l'alimentation est rétablie. Si vos réglages sont incorrects, reprogrammez l'appareil en suivant les instructions données dans la section Commande et Réglages.

Déménagement

Déchargez le vin, puis fixez les clayettes en les fixant en place pour prévenir les dommages.

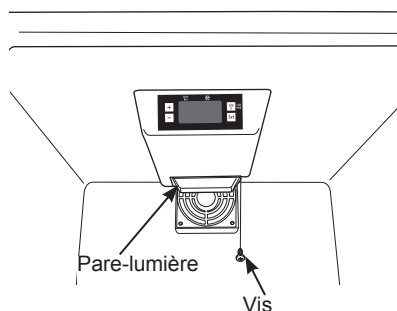
Assurez-vous de maintenir le refroidisseur à boissons et à vins / le refroidisseur à vin en position verticale pendant le déménagement.

Remplacement des ampoules

⚠ AVERTISSEMENT Avant de remplacer une ampoule grillée, le refroidisseur doit être débranché pour éviter tout contact avec un filament sous-tension. (Une ampoule grillée peut se casser durant le remplacement).

Faites tourner le bouton de commande sur la position OFF et ne supprime pas l'alimentation du circuit d'éclairage.

1. Débranchez le refroidisseur à vins / refroidisseur à vins et à boissons.



2. Retirez toutes boissons et clayettes nécessaires pour accéder à l'intérieur de l'appareil.

3. L'ampoule est situé derrière un pare-lumière dans le plafond du refroidisseur à vins / refroidisseur à vins et à boissons proche du fond. Pour retirer le pare-lumière, retirez la vis située sur le côté de celui-ci.
4. Tirez sur l'arrière du pare-lumière pour relâcher les deux languettes avant.
5. Dévissez l'ampoule de sa douille.
6. Remplacez-la par une ampoule de 15 watts, 120 volts. Ce type d'ampoule est vendu dans la majorité des quincailleries et des magasins de pièces automobiles.

⚠ AVERTISSEMENT L'utilisation d'une ampoule d'une puissance supérieure à 15 watts peut endommager les commandes électroniques sur du refroidisseur à vins / refroidisseur à vins et à boissons.

7. Remontez le pare-lumière.
8. Remplacez la clayette supérieure et les boissons.
9. Rebranchez le refroidisseur à vins / refroidisseur à vins et à boissons.

Instructions d'installation

Modèles GVS04 et GWS04

Des Questions ? Appelez 800.GE.CARES (800.432.2737) ou consultez notre site internet : GEAppliances.com
 Au Canada, appelez le 1.800.561.3344 ou consultez notre site internet : www.GEAppliances.ca

RETRAIT DE L'EMBALLAGE

Avant d'utiliser le Refroidisseur à vins / le Refroidisseur à vins et à boissons, assurez-vous d'avoir retiré tous les matériaux d'emballage et la bande adhésive, y compris le film de protection du panneau de commandes et de l'armoire.

Si vous jetez un ancien produit de réfrigération, enlevez les portes pour réduire le risque que des enfants soient enfermés à l'intérieur.

CONSIGNES D'INSTALLATION

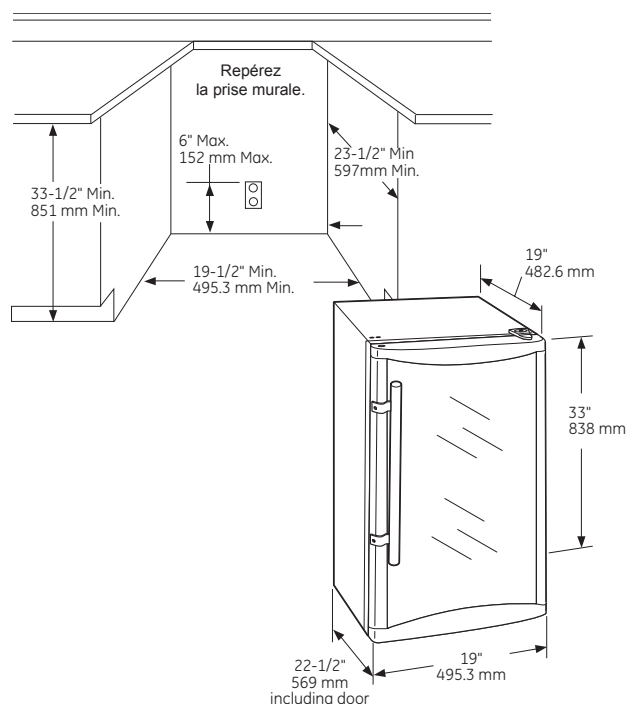
- Le Refroidisseur à vin / le Refroidisseur à vins et à boissons peut être installé de façon isolée ou encastré sous un comptoir en respectant les espaces requis.
- Prévoyez les dégagements suivants pour faciliter l'installation, une bonne circulation d'air et les raccordements électriques.

De chaque côté	0 po
Dessus	0 po
Arrière	0 po
- Avant de brancher l'appareil, laissez-le à la verticale pendant environ 2 heures. Cela réduira les possibilités de mauvais fonctionnement du système de refroidissement suite à la manipulation pendant le transport.
- N'installez pas installer le Refroidisseur À Vins / Refroidisseur à vins et à boissons dans un endroit où la température sera inférieure à 55°F (12,7°C) ou au-dessus de 90°F (32,2°C). Si la température ambiante est inférieure à la température de consigne, le Refroidisseur à vins / le Refroidisseur à vins et à boissons ne fonctionnera pas (par exemple, si la pièce est à 55°F (12,7°C) et le réglage est à 60°F (15, 6°C), l'unité ne fonctionnera pas).
- Installez l'appareil sur un plancher de niveau.
- N'installez pas le Refroidisseur à vins / le Refroidisseur à vins et à boissons dans un endroit où il sera soumis à la lumière directe du soleil, à la chaleur ou à l'humidité.
- Ne stockez pas et n'installez pas cet appareil à l'extérieur.

INSTALLATION INTÉGRÉE

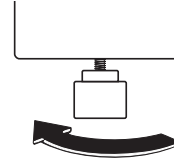
La dimension de découpe indiquée permet l'ouverture de la porte et l'accès aux étagères amovibles lorsque l'appareil est intégré. En cas d'installation entre des armoires sans cadre, une bande ou un panneau d'une largeur ½ po sera peut-être nécessaire sur le côté de la charnière. La bande de remplissage servira d'entretoise entre le caisson de l'appareil et l'ouverture de la porte de l'armoire adjacente. La largeur de l'ouverture doit inclure la bande de remplissage.

REMARQUE : La porte doit dépasser d'1 po des armoires environnantes.



MISE À NIVEAU DES PIEDS

Les pieds réglables au niveau des coins avant du Refroidisseur à vins / du Refroidisseur à vins et à boissons doivent ajustés de façon à ce que le Refroidisseur à vins / le Refroidisseur à vins et à boissons soient correctement positionnés au sol avec un léger dévers d'1/8 po vers l'arrière pour aider à la fermeture de la porte.



Pour lever l'appareil

Pour régler les pieds de mise à niveau, tournez les pieds dans le sens antihoraire pour lever le Refroidisseur à vins / du Refroidisseur à vins et à boissons, dans le sens horaire pour l'abaisser.

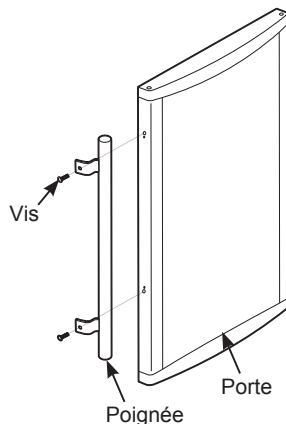
Instructions d'installation

Uniquement pour le modèle GVS04

POIGNÉE DE PORTE

La poignée de porte et les vis sont livrées dans le sac à quincaillerie fixé sur une des clayettes à l'intérieur du refroidisseur.

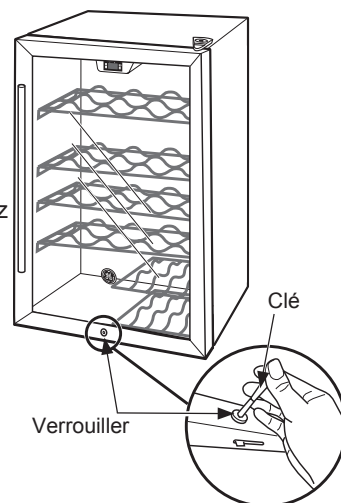
Repérez la poignée de porte et les vis. Fixez la poignée sur le côté de la porte comme illustré.



VERROUILLAGE DE LA PORTE

Pour verrouiller la porte, enfoncez la clé et tournez-la de 90° dans le sens horaire.

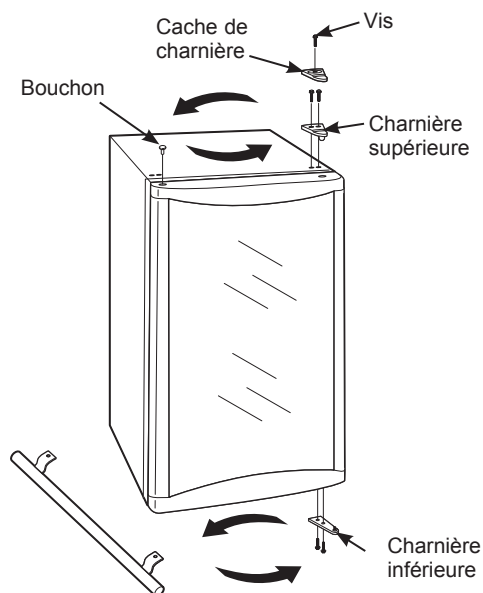
Pour déverrouiller, appuyez sur la touche et tournez-la de 90° dans le sens antihoraire.



INVERSION DU SENS D'OUVERTURE DE LA PORTE

1. Débranchez le refroidisseur à vins et à boissons.
2. Maintenez la porte fermée à l'aide de ruban-cache pour conserver l'alignement.
3. Retirez le couvercle de la charnière supérieure en retirant la vis.
4. Retirez les 2 vis maintenant la charnière supérieure au cadre.
5. Penchez le refroidisseur à boissons vers l'arrière pour accéder à la charnière inférieure.
6. Retirez les 2 vis maintenant la charnière inférieure au cadre.

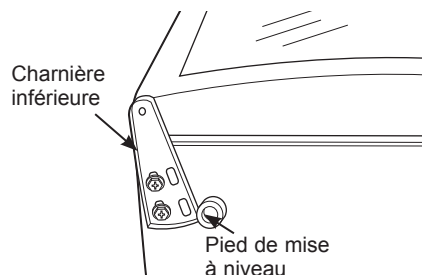
REMARQUE : Si vous posez l'appareil sur sa face arrière, assurez-vous de le laisser en position verticale pendant deux heures avant de le rebrancher ; ceci réduira les risques de mauvais fonctionnement du système de refroidissement.



7. Retirez le bouchon du côté supérieur gauche de la porte.
8. Installez le bouchon dans le trou de charnière sur le côté droit. Pressez-le fermement pour le fixer en place.
9. Si la poignée a été installée, retirez-la et installez-la sur le côté opposé. Veuillez vous référer au paragraphe « Poignée de porte » pour les instructions.
10. Gardez la porte bien en place et installez la charnière inférieure sur le côté opposé.
11. Installez la charnière supérieure et son cache sur le côté opposé. Assurez-vous que la porte soit bien alignée avec le caisson avant de serrer les vis.
12. Retirez le ruban. Ouvrez et fermez la porte pour vérifier l'alignement entre la porte et le caisson. Au besoin, desserrez les vis de la charnière inférieure, réalignez la porte et resserrez les vis.
13. Branchez le refroidisseur à vins et à boissons.

REMARQUE : Si vous posez l'appareil sur sa face arrière, assurez-vous de le laisser en position verticale pendant deux heures avant de le rebrancher ; ceci réduira les risques de mauvais fonctionnement du système de refroidissement.

14. Réglez l'appareil à la température souhaitée.



Conseils de dépannage... Avant d'appeler à un technicien

Économisez du temps et de l'argent ! Consultez d'abord les tableaux dans les pages suivantes pour peut-être éviter de faire appel à un technicien. Si nécessaire, une visite par un technicien de service peut être prévue en nous contactant en ligne sur GEAppliances.com ou par téléphone au 800.GECARES 800.432.2737.

Problème	Causes Possibles	Solution
L'appareil ne fonctionne pas et l'affichage est éteint	L'appareil est débranché.	Enfoncez complètement la fiche de l'appareil dans la prise murale.
	Le fusible est grillé / le disjoncteur est déclenché.	Remplacez le fusible ou enclenchez le disjoncteur.
Vibration ou bruit métallique (une légère vibration est normale)	L'appareil est sur une surface irrégulière.	Voir la section Mise à niveau des pieds.
Le moteur fonctionne pendant de longues périodes ou cycles.	Normal lorsque l'appareil est branché pour la première fois.	Attendez 12 heures pour que l'appareil refroidisse complètement.
	Cela se produit souvent lorsque de grandes quantités de vin sont placées dans l'appareil.	C'est normal.
	La porte est restée ouverte.	La porte ne ferme pas automatiquement. Assurez-vous que la porte est bien fermée après une ouverture. Une bouteille empêche peut-être la fermeture de la porte.
	Temps chaud ou ouverture fréquente des portes.	C'est normal.
	La température est réglée sur la température la plus basse.	Consultez la section concernant les commandes et les réglages.
	L'appareil est trop près du mur.	Consultez la section Consignes d'installation pour les dégagements appropriés.
L'appareil est trop chaud	Normal lorsque l'appareil est branché pour la première fois.	Attendez 12 heures pour que l'appareil refroidisse complètement.
	Cela se produit souvent lorsque de grandes quantités de vin sont placées dans l'appareil.	C'est normal.
	La température n'est pas réglée sur une température assez basse.	Consultez la section concernant les commandes et les réglages.
	Temps chaud ou ouverture fréquente des portes.	Réglez la commande des températures sur une température plus basse.
		Consultez la section concernant les commandes et les réglages.
	L'appareil est trop près du mur.	Consultez la section Consignes d'installation pour les dégagements appropriés.
L'appareil ne fonctionne pas, mais l'écran est allumé et la température est correcte.	La porte est restée ouverte.	La porte ne ferme pas automatiquement. Assurez-vous que la porte est bien fermée après une ouverture. Une bouteille empêche peut-être la fermeture de la porte.
	La température est réglée à une température supérieure à la température ambiante.	C'est normal. If wine and/or beverages are too warm, change the temperature setting to a lower.

Conseils de dépannage... Avant d'appeler à un technicien

Problème	Causes Possibles	Solution
L'appareil dégage une odeur	L'intérieur a besoin d'être nettoyé.	Consultez la section Entretien et Nettoyage
Il y a de la condensation sur l'extérieur de l'appareil	Pas inhabituel lorsque le temps est très humide.	Essuyez les surfaces.
L'humidité est accumulée à l'intérieur (par temps humide, l'air amène de l'humidité dans l'appareil lorsque la porte est ouverte)	Ouverture trop fréquente ou trop longue des portes.	
	Bouteilles de vin touchant la paroi arrière de l'appareil.	Repositionnez les bouteilles.
Du givre se forme sur les surfaces intérieures de l'appareil	C'est normal.	Consultez la section Dégivrage.
	La porte est restée ouverte.	Une quantité importante de givre peut se former si la porte est laissée ouverte. Consultez la section Dégivrage. La porte ne ferme pas automatiquement. Assurez-vous que la porte est bien fermée après une ouverture. Une bouteille empêche peut-être la fermeture de la porte.
L'appareil est trop froid	La température est réglée sur une température trop basse.	Consultez la section concernant les commandes et les réglages.
	La température ambiante dans la pièce où l'appareil est placé est trop froide.	Pour un bon fonctionnement, la température ambiante doit être égale ou supérieure à la température de consigne de l'appareil.
La température affichée ne correspond pas à la température qui vient d'être réglée.	C'est normal.	Après avoir réglé la température, l'affichage va indiquer la température réelle.
Condensation sur l'avant de la porte	L'appareil est situé dans un environnement à très forte humidité.	Essuyez la condensation avec un chiffon propre et sec.
		Placez l'appareil dans un environnement à plus faible humidité.
Il y a de l'eau sur le sol à l'arrière de l'appareil	La porte est restée ouverte.	La porte ne ferme pas automatiquement. Assurez-vous que la porte est bien fermée après une ouverture. Une bouteille empêche peut-être la fermeture de la porte.
	L'appareil a été incliné lors de son déplacement.	C'est normal. Le bac de vidange au-dessus du compresseur peut être plein après un dégivrage. Vérifiez ce point pour éviter que de l'eau ne soit renversée en déplaçant l'appareil.
Refroidisseur à vins GWS04 uniquement		
Rouille, ternissure, ou saletés sur les portes en acier inoxydable	Environnement humide ou salin.	Nettoyez l'acier inoxydable avec des nettoyants contenant de l'acide oxalique (par exemple Bar Keepers Friend Soft Cleanser) qui va éliminer les traces de rouille, de calcaire et autres ternissements. N'essuyez pas l'appareil avec un chiffon sale ou une serviette humide. N'utilisez pas de tampons à récurer, de produits nettoyants en poudre, de javellisant ou de produits contenant du javellisant sous peine de rayer et abimer la finition brossée de l'acier inoxydable.

REMARQUES

Remarques

Garantie du Refroidisseur à vins / Refroidisseur à vins et à boissons

GARANTIE

GEAppliances.com

Toutes les réparations en vertu de la garantie sont fournies par nos Centres de Service d'Usine ou par un technicien autorisé Customer Care®. Pour prévoir une réparation en ligne, consultez notre site www.geappliances.com/service_and_support/, ou appelez GE Appliances au 800.GE.CARES (800.432.2737). Veuillez avoir votre numéro de série et votre numéro de modèle à portée de main lorsque vous appelez pour obtenir un service. Au Canada, appelez le 800.561.3344.

Pendant la période de garantie de :	GE Appliances remplacera
Un an A compter de la date d'achat initial	Toute pièce du refroidisseur qui s'avère défectueuse en raison d'un vice de matériel ou de fabrication. Pendant cette garantie limitée d'un an , GE Appliances fournira également gratuitement la main d'œuvre et le service pour réparer la pièce défectueuse.

Ce qui n'est pas couvert par GE Appliances:

- Les déplacements à votre domicile pour vous expliquer l'utilisation de ce produit
- Une installation, livraison ou maintenance défectueuse.
- Une panne du produit par abus d'utilisation, par mauvaise utilisation, par modification ou s'il a été utilisé dans un but autre que celui pour lequel il a été fabriqué.
- Perte de boissons en raison de la détérioration.
- Le remplacement des fusibles ou le réenclenchement du disjoncteur du domicile.
- Les dommages causés après la livraison.
- Le remplacement des ampoules, si incluses, ou la cartouche filtrante, si incluse, et dans des conditions autres que celles susmentionnées.
- Tout dommage causé par accident, incendie, inondation ou un cas de force majeure.
- Tout dommage fortuit ou indirect causé par des défauts éventuels de cet appareil.
- Le service s'il est impossible d'avoir accès au produit.
- Les dommages sur les surfaces de finitions, tels que des traces de rouille, un ternissement ou de petits défauts non signalés dans les 48 heures suivant la livraison.

EXCLUSION DES GARANTIES IMPLICITES — *Votre recours exclusif est l'échange du produit suivant les modalités de la Garantie Limitée. Toutes garanties tacites, y compris les garanties de valeurs marchandes ou d'adéquation à des fins particulières, sont limitées à une durée d'un an ou à la durée la plus courte autorisée par la loi.*

Pour les clients aux États-Unis: Cette garantie est étendue à l'acheteur d'origine et aux propriétaires suivants pour tout produit acheté pour une utilisation domestique aux États-Unis. Si le produit est installé dans une région où ne se trouve aucun réparateur autorisé GE, vous devrez peut-être assumer les frais de transport ou apporter l'appareil à un centre de service autorisé GE. En Alaska, cette garantie exclut le coût d'expédition ou de dépannage à votre domicile.

Certains états n'acceptent pas d'exclusion ou de limites aux dommages indirects consécutifs. Certains droits particuliers vous sont dévolus en vertu de la présente garantie et peuvent s'accompagner d'autres droits qui varient selon votre lieu de résidence. Pour connaître vos droits juridiques, veuillez consulter le bureau local ou le bureau d'état des affaires aux consommateurs ou le Procureur Général de votre état.

Garant US: GE Appliances

Pour les clients au Canada : Cette garantie est étendue à l'acheteur d'origine et aux propriétaires suivants pour tout produit acheté au Canada pour une utilisation domestique au Canada. Un service à domicile sera proposé dans les régions où il est disponible et où Mabe l'estime raisonnable.

Garant Canada: MC Commercial, Burlington, Ontario, L7R 5B6

Agrafez votre facture ici. Pour obtenir le service sous garantie, une preuve de la date d'achat initial est nécessaire.

Soutien au consommateur

Site Web de GE Appliances

Vous avez une question ou vous avez besoin d'aide pour votre appareil électroménager? Visitez le site Web de GE Appliances 24 heures par jour, tous les jours de l'année! Vous pouvez aussi y trouver d'autres formidables produits GE Appliances et tirer avantage de tous nos services d'assistance en ligne. Aux États-Unis : **GEAppliances.com**
Au Canada : **GEAppliances.ca**

Enregistrez votre électroménager

Enregistrez votre nouvel appareil en ligne au moment qui vous convient le mieux! L'enregistrement de votre produit dans les délais prescrits permet une meilleure communication et un service rapide, selon les modalités de votre garantie, si besoin est. Vous pouvez également envoyer par courrier la carte d'enregistrement pré-imprimée qui se trouve dans l'emballage de votre appareil.

Aux États-Unis : **GEAppliances.com/register**

Au Canada : **Prodsupport.mabe.ca/crm/Products/ProductRegistration.aspx**

Service de réparation

Un service de réparation expert GE Appliances se trouve à quelques pas de chez vous. Rendez-vous sur notre site et programmez, à votre convenance, une visite de réparation à n'importe quel jour de l'année.

Aux États-Unis : **GEAppliances.com/ge/service-and-support/service.htm** ou composez le 800.432.2737 durant les heures normales de bureau.

Au Canada : **GEAppliances.ca/en/support/service-request** ou composez le 800.561.3344

Prolongation de garantie

Procurez-vous une prolongation de garantie GE Appliances et informez-vous des rabais spéciaux en vigueur pendant la durée de votre garantie. Vous pouvez vous la procurer en ligne en tout temps. Les services GE Appliances seront toujours disponibles après l'expiration de la garantie. Aux États-Unis :

GEAppliances.com/ge/service-and-support/shop-for-extended-service-plans.htm ou composez le 800.626.2224 durant les heures normales de bureau.

Au Canada : **GEAppliances.ca/en/support/purchase-extended-warranty** ou composez le 800.290.9029

Pièces et accessoires

Les personnes ayant les compétences requises pour réparer elles-mêmes leurs appareils peuvent recevoir directement à la maison des pièces ou accessoires (les cartes VISA, MasterCard et Discover sont acceptées). Commandez en ligne 24 heures par jour.

Aux États-Unis : **GEApplianceparts.com** ou par téléphone au 877.959.8688 durant les heures normales de bureau.

Les instructions contenues dans le présent manuel comportent des procédures que tout utilisateur peut effectuer. Les autres types de réparation doivent généralement être confiés à un technicien qualifié. Usez de prudence : une réparation ou un entretien mal effectués peuvent rendre l'utilisation de l'appareil dangereuse.

Les consommateurs au Canada doivent consulter les pages jaunes pour connaître le centre de service Mabe le plus proche, visiter notre site Web au **GEAppliances.ca/en/products/parts-filters-accessories** ou composer le 1.800.661.1616.

Communiquez avec nous

Si vous n'êtes pas satisfait du service après-vente de GE Appliances, communiquez avec nous depuis notre site Web en fournissant tous les détails dont votre numéro de téléphone, ou écrivez à :

Aux États-Unis : General Manager, Customer Relations | GE Appliances, Appliance Park | Louisville, KY 40225

GEAppliances.com/ge/service-and-support/contact.htm

Au Canada : Director, Consumer Relations, Mabe Canada Inc. | Suite 310, 1 Factory Lane | Moncton, N.B. E1C 9M3

GEAppliances.ca/en/contact-us



CENTRO DE VINOS/CENTRO DE BEBIDAS Y VINOS

INFORMACIÓN DE SEGURIDAD 2

INSTRUCCIONES DE INSTALACIÓN

Controles4

GVS04 Centro de Bebidas y Vinos6

GWS04 Centro de Vinos.....7

CUIDADO Y LIMPIEZA8

Reemplazo de la bombilla9

INSTRUCCIONES DE INSTALACIÓN6

239D4114P014..... 11

SOLUCIONAR PROBLEMAS 11

GARANTÍA 13

SOPORTE AL CONSUMIDOR ...14

MANUAL DEL PROPIETARIO Y INSTALACIÓN

Centro de Vinos GWS04
Centro de Bebidas y Vino GVS04

ESPAÑOL

Escriba el modelo y los números de serie a continuación:

Modelo No: _____

Serie No: _____

Encuentre estos números al interior del enfriador de vinos, al lado izquierdo.

GRACIAS POR HACER QUE GE APPLIANCES SEA PARTE DE SU HOGAR.

Ya sea que haya crecido usando GE Appliances, o que ésta es su primera vez, nos complace tenerlo en la familia.

Sentimos orgullo por el nivel de arte, innovación y diseño de cada uno de los electrodomésticos de GE Appliances, y creemos que usted también.



GE APPLIANCES

INFORMACIÓN IMPORTANTE DE SEGURIDAD LEA TODAS LAS INSTRUCCIONES ANTES DE USAR

⚠️ ADVERTENCIA

A fin de reducir el riesgo de incendio, explosión, descargas eléctricas o lesiones al usar su Centro de Vinos/ Centro de Bebidas y Vinos, siga estas precauciones básicas de seguridad:

- Este Centro de Vinos/ Centro de Bebidas y Vinos deberá instalarse y ubicarse adecuadamente de acuerdo con las Instrucciones de Instalación antes de ser usado.
- Desenchufe este electrodoméstico antes de hacer reparaciones, reemplazar una lámpara de luz o hacer una limpieza.
NOTA: La corriente que va al este electrodoméstico no puede ser desconectada por ninguna configuración del panel de control.
Nota: Las reparaciones deberán ser realizadas por un Profesional del Servicio Técnico calificado.
- Reemplace todas las piezas y paneles antes del uso.
- No guarde ni use gasolina u otros vapores inflamables y líquidos cerca de este u otros electrodomésticos.
- Debido a los posibles riesgos sobre la seguridad bajo ciertas condiciones, recomendamos enfáticamente no usar prolongadores. Sin embargo, si se debe usar un prolongador, es absolutamente necesario que sea un prolongador para electrodoméstico de la lista UL (en Estados Unidos) o uno certificado por CSA (en Canadá), de 3 cables con conexión a tierra, que cuente con un enchufe con conexión a tierra y un tomacorriente con una graduación eléctrica del cable de 15 amperes (mínimo) y 120 volts.
- A fin de evitar riesgos de que los niños sufran asfixia o queden atrapados, retire las puertas de comidas frescas y del freezer de cualquier refrigerador antes de deshacerse o dejar de usar el mismo.
- No permita que los niños se trepen, paren o cuelguen de las manijas de la puerta o de los estantes del Centro de Vinos/ Centro de Bebidas y Vinos. Podrían sufrir lesiones graves.

⚠️ PRECAUCIÓN

A fin de reducir el riesgo de lesiones al usar el Centro de Vinos/ Centro de Bebidas y Vinos, siga estas precauciones básicas.

- No limpie estantes de vidrio ni tapas con agua caliente cuando estén fríos. Los estantes de vidrio y las tapas se pueden romper si son expuestos a cambios de temperatura repentinos o impactos, tales como sacudones o caídas. El vidrio templado está diseñado para destruirse en pequeñas piezas en caso de rotura.
- Mantenga los dedos fuera de los espacios de "riesgo de lastimaduras"; los despejes entre las puertas y entre las puertas y el gabinete son necesariamente pequeños. Tenga el cuidado de cerrar las puertas cuando los niños se encuentren en el área.
- No vuelva a congelar comidas que hayan estado totalmente congeladas en forma previa.
- En Centro de Vinos/ Centro de Bebidas y Vinos con máquinas de hacer hielo automáticas, evite el contacto con las partes móviles del mecanismo eyector o con el elemento de calefacción que libera los cubos. No coloque los dedos ni las manos en el mecanismo de la máquina de hielo automática mientras el refrigerador esté enchufado.

ADVERTENCIAS DE LA PROPOSICIÓN 65 DEL ESTADO DE CALIFORNIA:

⚠️ ADVERTENCIA

Este producto contiene uno o más químicos que el Estado de California entiende que producen cáncer, defectos en el nacimiento u otros daños reproductivos.

INSTALACIÓN

⚠️ ADVERTENCIA



RIESGO DE EXPLOSIÓN

Mantenga cualquier material y vapores inflamables, tales como gasolina, alejados del Centro de Vinos/ Centro de Bebidas y Vinos. Si no se cumple con esto se podrá producir una explosión, incendio o la muerte.

LEA Y GUARDE ESTAS INSTRUCCIONES

INFORMACIÓN IMPORTANTE DE SEGURIDAD LEA TODAS LAS INSTRUCCIONES ANTES DE USAR

CONEXIÓN DE LA ELECTRICIDAD

⚠ ADVERTENCIA



RIESGO DE DESCARGA ELÉCTRICA

Enchufe en un tomacorriente con conexión a tierra de 3 cables.

No elimine el cable de conexión a tierra.

No use un adaptador.

Si no se siguen estas instrucciones se podrá producir a muerte, incendios o descargas eléctricas.

Nunca, bajo ninguna circunstancia, corte o elimine el tercer cable (tierra) del cable de corriente. Para su seguridad personal, este electrodoméstico debe estar adecuadamente conectado a tierra.

El cable de corriente de este electrodoméstico contiene un enchufe de 3 cables (conexión a tierra) que se conecta a un tomacorriente de pared estándar de 3 cables (conexión a tierra) para minimizar la posibilidad de riesgos de descargas eléctricas por parte del mismo.

Contrate a un electricista calificado para que controle el tomacorriente y el circuito eléctrico, a fin de asegurar que el enchufe esté correctamente conectado a tierra.

En caso de contar con un tomacorriente de pared de 2 cables, es su responsabilidad y obligación reemplazarlo por un tomacorriente de pared de 3 cables correctamente conectado a tierra. No use un adaptador.

El Centro de Vinos/ Centro de Bebidas y Vinos debería estar siempre conectado a un enchufe específico con un índice de voltaje equivalente al que figura en su etiqueta de características técnicas.

Se requiere un suministro eléctrico con fusible y conexión a tierra de 115 voltios de CA, 60 Hz, 15 o 20 amperes. Esto garantiza el mejor funcionamiento y además previene la sobrecarga de los circuitos del hogar, lo cual podría ocasionar riesgos de incendio debido al recalentamiento de cables.

Nunca desenchufe este electrodoméstico tirando del cable de corriente. Siempre tome su enchufe firmemente y empuje el mismo hacia afuera para retirarlo.

Repáre o reemplace de inmediato todos los cables de corriente pelados o con cualquier tipo de daño. No use un cable con cortaduras o abrasión sobre su extensión o extremos.

Al alejar este electrodoméstico de la pared, se deberá tener cuidado de que no ruede sobre ni dañe el cable de corriente.

FORMA ADECUADA DE DESCARTAR SU ANTIGUO ELECTRODOMÉSTICO

⚠ ADVERTENCIA

RIESGO DE QUE LOS NIÑOS SUFRAN ASFIXIA O Y QUEDEN ATRAPADOS

Retire la puerta del centro de vinos/ centro de bebidas y vinos antes de descartar el mismo. Si esto no se realiza, los niños podrán quedar atrapados y ocasionar la muerte o daño cerebral.

IMPORTANTE: Que un niño quede atrapado o que sufra una asfixia no son problemas del pasado. Los Centro de Vinos/ Centro de Bebidas y Vinos antiguos o abandonados aún son peligrosos, incluso aunque se conserven por "sólo unos pocos días". Si se deshará de su antiguo refrigerador, siga las siguientes instrucciones a fin de evitar accidentes.

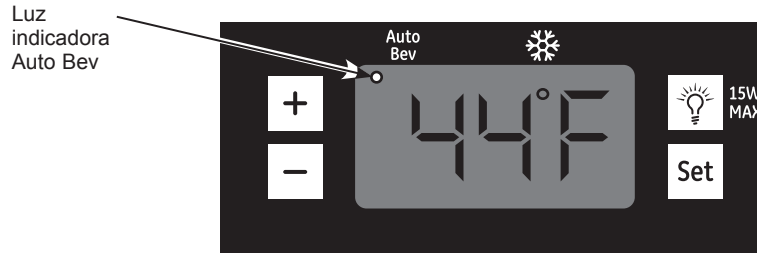
Antes de Descartar su Antiguo Centro de Vinos/ Centro de Bebidas y Vinos

- Retire la puerta del electrodoméstico.
- Deje los estantes en su lugar de modo que los niños no puedan trepar dentro con facilidad.

Refrigerantes

Todos los productos de refrigeración cuentan con refrigerantes, que de acuerdo con la ley federal deberán ser eliminados antes de descartar el producto. Si se deshará de un producto de refrigeración antiguo, consulte a la compañía a cargo sobre cómo deshacerse del mismo.

LEA Y GUARDE ESTAS INSTRUCCIONES



Controles y ajustes

El rango de temperatura del centro de bebidas está previsto entre 40°F (4,4°C) y 60°F (15,6°C). La pantalla muestra la temperatura promedio del aparato.

Es normal que la temperatura actual cambie ligeramente durante el funcionamiento.

Ajuste de temperatura automática

Cuando el aparato se enchufa o se presiona la tecla "+", el electrodoméstico funciona en el ajuste "Auto Bev" (bebida automática) de 44°F (6,7°C) y la luz indicadora de "Auto Bev" ubicada en el extremo superior izquierdo se mantiene encendida.

NOTA: La pantalla destellará cuando se presione la tecla "+".

Ajuste de temperatura normal

La temperatura del centro de bebidas puede ajustarse entre 41°F (5°C) y 61°F (16,1°C) mediante las teclas "+" y "-".

1. Presione y sostenga la tecla SET (ajustar). Escuchará una serie de 2 pitidos.
2. Después del segundo pitido, presione las teclas "+" y "-" para subir o bajar la temperatura deseada en unidades de un grado. Durante este tiempo la pantalla destellará.


3. Presione SET (ajustar) para confirmar su elección. La pantalla dejará de destellar. Si no se realiza una confirmación en diez segundos, la unidad aceptará su cambio en forma automática.

NOTA: Cuando se modifica el ajuste de temperatura, puede haber un retardo de 5 minutos hasta que el compresor comience a funcionar.


Fahrenheit y Celsius

La pantalla de temperatura puede cambiarse entre Fahrenheit y Celsius presionando y sosteniendo la tecla "+" por aproximadamente 5 segundos.

Luz indicadora

The La luz indicadora  se enciende cuando el compresor está funcionando para enfriar su unidad. No se enciende cuando el compresor no está en funcionamiento.

Luz interior

Para encender o apagar la luz interior, simplemente presione la tecla .

Al conectar el centro de bebidas y enfriador de vinos

Después de enchufar el centro de bebidas y enfriador de vinos y ajustar la temperatura deseada, permita que el centro de bebidas y enfriador de vinos alcance la temperatura establecida antes de cargar el vino. Esto puede tomar hasta doce horas para estabilizarse completamente.

Después de cargar el vino o bebidas, quizás observe que la temperatura real aumenta. Esto es normal. La temperatura actual seguirá cambiando a medida que el vino y las bebidas se enfríen hasta la temperatura configurada. Esto puede tomar hasta doce horas para estabilizarse completamente.

Hay una guía con sugerencias de temperaturas de servicio del vino ubicada en la parte interna derecha de la unidad. Ofrece temperaturas recomendadas para diferentes vinos, además de instrucciones sobre el ajuste de la temperatura del centro de bebidas y enfriador de vinos.

NOTA: La parte externa del gabinete puede calentarse. Esto es normal.

Suggested Wine Storage & Serving Temperatures

Serving Temperatures:

40-50°F	Sparkling Wines
43-53°F	Whites
50-55°F	Full Bodied Whites
50-60°F	Light Reds
55-65°F	Medium Bodied Reds
62-67°F	Full Bodied Reds

Optimal Wine Storage: 55°F

Adjust Temperature:

1. Press & Hold 
2. Adjust Temp using  or 
3. Press  to Confirm

Luz interior

Usted puede encender (ON) o apagar (OFF) la luz presionando el interruptor de luz ubicado en el lado derecho del panel de control. Si la luz interior se deja encendida, la temperatura será más elevada.

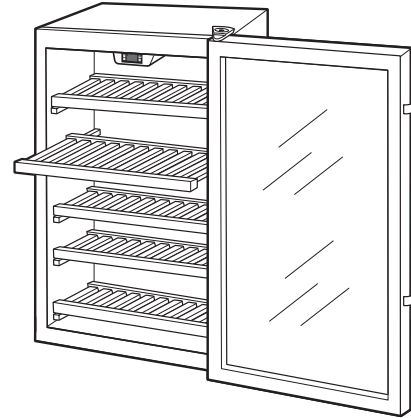
Centro de Bebidas y Vino GVS04 Únicamente

Estantes de madera

Los estantes de madera del Centro de Bebidas y Vino son desmontables para facilitar la limpieza y para poder almacenar elementos más grandes.

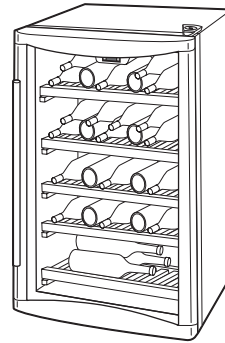
Para quitar un estante, abra la puerta por completo para evitar daños potenciales al estante. Levántelo un poco y tire del mismo hacia delante. El estante puede hallarse bien ajustado en la guía.

Para reemplazar un estante, abra la puerta por completo para evitar daños potenciales al estante. Deslice el estante dentro de las guías a lo largo del gabinete hasta que se detenga.

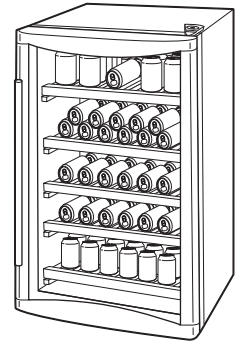


Carga de vino y de bebidas

Al igual que con cualquier producto de refrigeración, existe una ligera varianza de temperatura en diferentes ubicaciones dentro del gabinete.



Disposición sugerida de botellas de vino—carga completa (capacidad para 31 botellas de vino)



Disposición sugerida de botellas de otras bebidas—carga completa (capacidad para 109 bebidas)

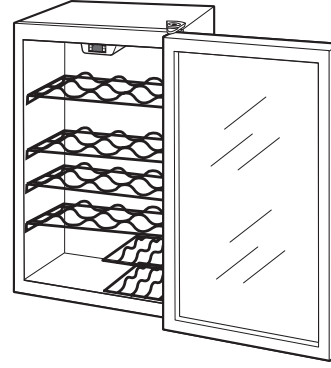
Centro de Vinos GWS04 Únicamente

Estantes de vino

Los estantes para vinos del gabinete son extraíbles para una fácil limpieza y para poder guardar artículos de mayor tamaño.

Para quitar un estante, abra la puerta por completo para evitar daños potenciales al estante. Levántelo un poco y tire del mismo hacia delante. El estante puede hallarse bien ajustado en la guía.

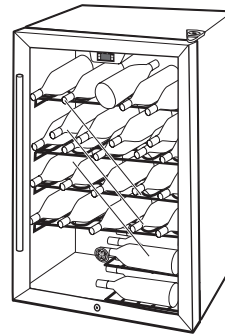
Para reemplazar un estante, abra la puerta por completo para evitar daños potenciales al estante. Deslice el estante dentro de las guías a lo largo del gabinete hasta que se detenga.



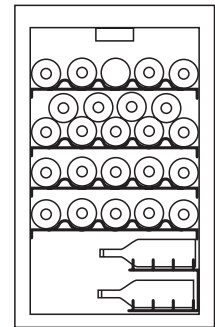
Carga de vino y de bebidas

Al igual que con cualquier producto de refrigeración, existe una ligera varianza de temperatura en diferentes ubicaciones dentro del gabinete.

Este gabinete para vinos cuenta con una capacidad máxima de almacenamiento de 30 botellas. El segundo estante de vinos está diseñado con altura adicional. Esto permite almacenar botellas magnum más grandes o apilar botellas de tamaño típico.



Orden sugerido de las botellas de vino.



Cuidado y limpieza

Limpieza del exterior

IMPORTANTE: Desconecte el Centro de Vinos/ Centro de Bebidas y Vinos antes de la limpieza.

Mantenga el exterior limpio. Se puede lavar el gabinete con jabón suave y agua. Limpie con un paño húmedo. Nunca utilice limpiadores abrasivos en polvo.

Use un limpiador de vidrios o un jabón suave, agua y un paño suave para limpiar la puerta de cristal. No utilice un limpiador abrasivo en polvo.

No limpie el este electrodoméstico con un trapo o toalla sucia para secar platos, ya que puede dejar residuos que pueden corroer la pintura. No utilice almohadillas abrasivas, limpiadores en polvo, blanqueadores o limpiadores que contengan blanqueadores ya que estos productos pueden rayar y debilitar el acabado de la pintura.

Los door frame y las manijas de las puertas de acero inoxidable (en algunos modelos) pueden ser limpiados con un limpiador para acero inoxidable para usos comerciales. Los limpiadores con ácido oxálico tales como Bar Keepers Friend Soft Cleanser™ eliminarán el óxido sobre la superficie, deslustres y pequeñas manchas. Use sólo un limpiador líquido libre de material abrasivo y frote en la dirección de las líneas del cepillo con una esponja suave y húmeda. No utilice cera para electrodomésticos sobre el acero inoxidable.

Proteja el acabado de pintura. El acabado en la parte exterior del Centro de Vinos/ Centro de Bebidas y Vinos posee una pintura horneada de alta calidad. Con el cuidado apropiado, permanecerá como nuevo y libre de óxido por años. Aplique una capa de cera para cocina/electrodomésticos cuando el centro de vinos esté nuevo y de ahí en adelante por lo menos dos veces por año.

Limpieza del interior

IMPORTANTE: Desconecte el Centro de Vinos/ Centro de Bebidas y Vinos antes de la limpieza.

Para limpiar los estantes y el interior, use agua tibia y una solución de bicarbonato de soda; una cucharada (15 ml) de bicarbonato de soda por un cuarto (un litro) de agua. Esto limpia y neutraliza los olores. Limpie con un paño húmedo.

Se puede limpiar el empaque de vinilo de la puerta con jabón suave y agua o una solución de bicarbonato de soda.

No use detergentes, limpiadores en polvo, limpiadores en atomizador u otros químicos fuertes para limpiar el interior.

Para los Modelos GV04: Para evitar manchas de agua en los estantes de madera, limpie y seque los derrames de agua inmediatamente.

Limpie el panel de control con un paño húmedo. Seque bien. No utilice pulverizadores de limpieza, grandes cantidades de jabón y agua, productos abrasivos u objetos filosos sobre el panel, ya que pueden dañarlo. Algunas toallas de papel también pueden rayar el panel de control.

Descongelación automática

El modelo utiliza el ciclo de compresor (encendido / apagado) para descongelar automáticamente (cuando el compresor se para se eleva la temperatura).

Nunca use un calentador de ninguna clase, espátula o un instrumento punzante para retirar la escarcha ya que puede dañar el Centro de Vinos/ Centro de Bebidas y Vinos.

NOTA: La bandeja de desagüe por encima del compresor puede encontrarse llena después del descongelado. Verifique que no haya derrames de agua cuando desplace la unidad.

En el evento de una falla de energía

Si la energía falla, abra las puertas lo menos que pueda para mantener la temperatura. Un aumento gradual en la temperatura no debería causar ningún efecto adverso en el vino.

Si hace calor extremo, descargar el vino del centro de bebidas y enfriador de vinos y trasladarlo a un sitio más frío hasta que se restablezca la energía.

Los controles pueden mantener los ajustes de temperatura cuando se reestablece el suministro de energía. Si los ajustes no son correctos, vuelva a configurarlos de acuerdo con la sección Ajustes de los controles.

Cómo prepararse para un traslado

Descargue el vino, luego asegure los estantes con cinta en su lugar para evitar cualquier daño.

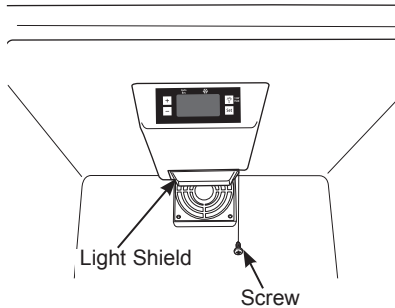
Asegúrese de que el centro de bebidas y enfriador de vinos permanezca en posición vertical durante el traslado.

Cómo reemplazar la bombilla

⚠ ADVERTENCIA

Antes de reemplazar una lámpara quemada, el refrigerador deberá ser desenchufado a fin de evitar el contacto con el filamento de un cable con corriente. (Existe riesgo de que una lámpara quemada se rompa durante su reemplazo).

Girar el control a la posición OFF no desconecta la corriente del circuito de la luz.



1. Desconecte el Centro de Vinos/ Centro de Bebidas y Vinos.
2. Quite las bebidas y los estantes necesarios para poder lograr el acceso.

3. La bombilla está ubicada detrás de un protector de la bombilla en el techo del Centro de Vinos/ Centro de Bebidas y Vinos. cerca a la parte posterior. Para quitar el protector de la bombilla, quite el tornillo ubicado en el lado derecho del protector de la bombilla.
4. Empuje la parte posterior del protector de la bombilla hacia abajo para liberar las dos lengüetas delanteras.
5. Desenrosque la bombilla de luz del receptáculo.
6. Reemplace con una bombilla de 15 vatios, 120 voltios. Este tipo de bombilla se encuentra disponible en la mayoría de las ferreterías y tiendas de repuestos para automotores.

⚠ ADVERTENCIA

Usar una bombilla de más de 15 vatios puede dañar los controles eléctricos del Centro de Vinos/ Centro de Bebidas y Vinos

7. Vuelva a instalar el protector de la bombilla.
8. Vuelva a colocar el estante superior y las bebidas.
9. Conecte nuevamente el centro de bebidas y enfriador de vinos.

Instrucciones de Instalación

Modelos GVS04 y GWS04

¿Preguntas? Llame a 800.GE.CARES (800.432.2737) o visite nuestro sitio web en: GEAppliances.com
 En Canadá, llame al 1.800.561.3344 o visite nuestro Sitio Web en: www.GEAppliances.ca

RETIRAR EL EMPAQUE

Antes de usar el Centro de Vinos/ Centro de Bebidas y Vinos, asegúrese de que se hayan retirado todos los materiales de empaque y la cinta, incluyendo la película de protección que cubre el control y protege el gabinete.

Si está cambiando un aparato antiguo de refrigeración, retire las puertas para reducir el peligro de que los niños puedan quedarse atrapados al interior.

PAUTAS PARA LA INSTALACIÓN

■ El Centro de Vinos/ Centro de Bebidas y Vinos puede instalarse de manera independiente o debajo del mostrador, permitiendo los espacios adecuados.

■ Deje los siguientes espacios para facilitar la instalación, permitir una circulación apropiada del aire y las conexiones eléctricas:

A cada costado	0"
Parte superior	0"
Parte posterior	0"

■ Antes de conectar el aparato a la fuente de energía, déjelo reposar en posición vertical por aproximadamente 2 horas. Esto reducirá la posibilidad de un mal funcionamiento del sistema de enfriamiento debido a la manipulación durante el transporte.

■ No instale el Centro de Vinos/ Centro de Bebidas y Vinos donde la temperatura baje de 55°F (13°C) o suba por encima de 90°F (32°C). Si la temperatura ambiente se encuentra por debajo de la configuración de temperatura, el Centro de Vinos/ Centro de Bebidas y Vinos no funciona (por ejemplo, si la habitación se halla a 55°F (13°C) y la configuración es de 60°F (15,6°C), la unidad no funcionará).

■ Instálelo en un piso nivelado.

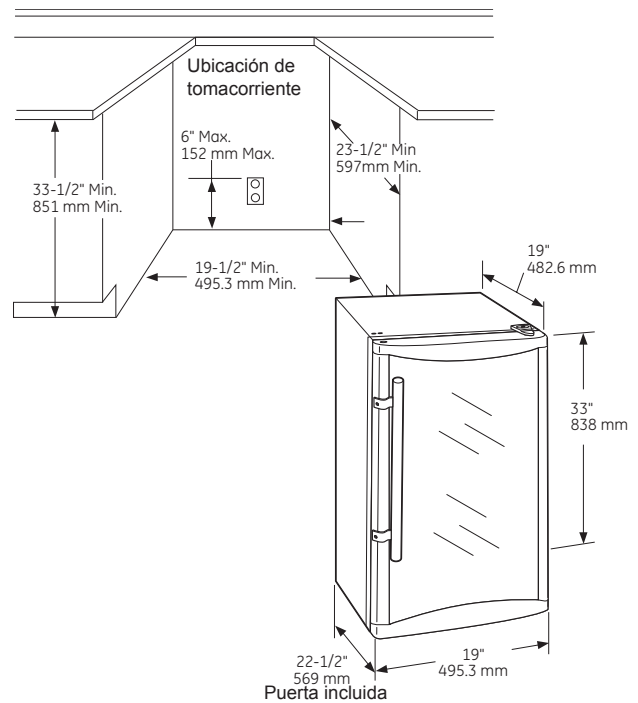
■ No instale el Centro de Vinos/ Centro de Bebidas y Vinos donde esté sujeto a la luz directa del sol, calor o humedad.

■ No almacene o instale este aparato en el exterior.

INSTALACIÓN INCORPORADA

La dimensión del recorte mostrada permite que la puerta se balancee y da acceso a los estantes para carga cuando se instala como un electrodoméstico incorporado. Si se instala entre gabinetes sin marcos, es posible que se necesite una tira de relleno de 1/2" de ancho o un panel lateral sobre el lado de la bisagra. La tira de relleno actuará como espaciador entre la estructura del electrodoméstico y el balanceo de la puerta del gabinete adyacente. El ancho de la abertura debe incluir los una tira relleno.

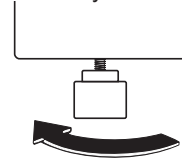
NOTA: La puerta debe sobresalir 1" más que los gabinetes circundantes.



CÓMO NIVELAR LAS PATAS

Se deben colocar las patas ajustables en las esquinas delanteras del Centro de Vinos/ Centro de Bebidas y Vinos de forma que se posicione firmemente sobre el piso con una inclinación de 1/8" hacia la parte posterior para ayudar a que la puerta se cierre.

Para ajustar las patas de nivelación, voltee las patas en el sentido contrario para levantar el Centro de Vinos/ Centro de Bebidas y Vinos, y en sentido de las manecillas del reloj para bajarlo.



Para levantar el enfriador de vinos.

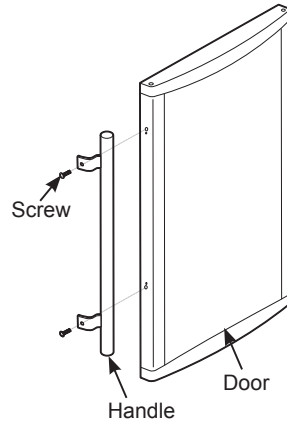
Instrucciones de Instalación

Centro de Bebidas y Vino GVS04 Únicamente

MANIJA DE LA PUERTA

La manija de la puerta y los tornillos se envían dentro de una bolsa con piezas de ferretería sujeta a uno de los estantes del gabinete.

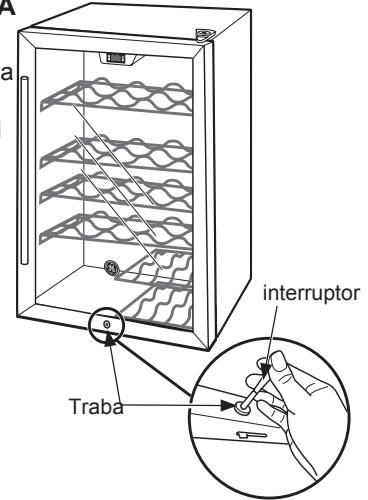
Ubique la manija de la puerta y los dos tornillos. Sujete la manija de la puerta hacia el costado de la puerta como puede verse.



TRABA DE LA PUERTA

Para asegurar la traba de la puerta, presione la perilla y gire la misma 90° en dirección de las agujas del reloj.

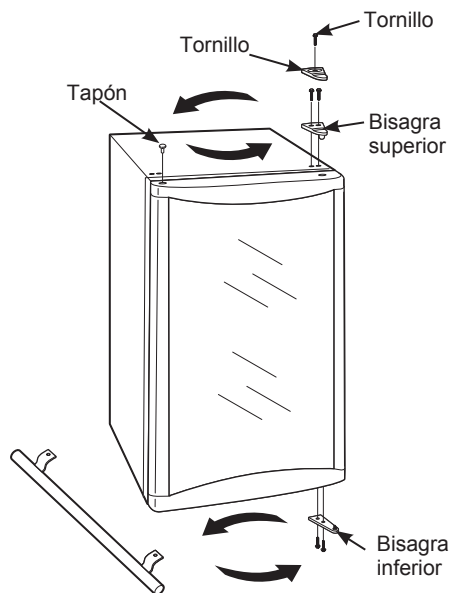
Para destrabar la misma, presione la perilla y gire la misma 90° en dirección contraria a las agujas del reloj.



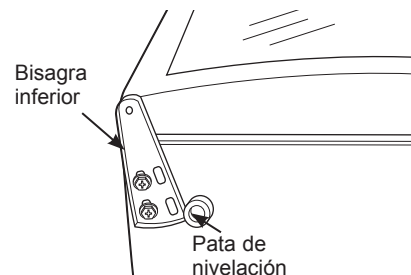
CÓMO INVERTIR EL VAIVÉN DE LA PUERTA

1. Desenchufe el centro de bebidas y vino.
2. Cierre la puerta con cinta adhesiva para asegurar la alineación correcta.
3. Quite la tapa de la bisagra superior quitando el tornillo.
4. Quite los 2 tornillos que sujetan la bisagra superior al marco.
5. Incline el centro de bebidas hacia atrás para poder acceder a la bisagra inferior.
6. Quite los 2 tornillos que sujetan la bisagra inferior al marco.

NOTA: Si coloca la unidad sobre su parte trasera, asegúrese de dejarla reposar en posición vertical por lo menos durante 2 horas antes de conectarla a la fuente de energía; esto reducirá la posibilidad de un mal funcionamiento del sistema de enfriamiento.



7. Quite el tapón del lado superior izquierdo de la puerta.
8. Instale el botón dentro del orificio de la bisagra sobre el lado derecho. Presione firmemente para asegurar.
9. Si la manija ha sido instalada, quítela e instálela en el lado opuesto. Consulte la sección Manija de la puerta para obtener instrucciones.
10. Sostenga la puerta firmemente en su lugar e instale la bisagra inferior sobre el lado opuesto.
11. Instale la bisagra superior y la tapa en el lado opuesto. Verifique que la puerta esté alineada con el gabinete antes de ajustar los tornillos.
12. Quite la cinta. Abra y cierre la puerta para verificar su alineación con el gabinete. Si fuera necesario, afloje los tornillos de la bisagra inferior, vuelva a alinear la puerta y ajuste los tornillos.
13. Enchufe el centro de bebidas y vino.
NOTA: Si ha tenido que apoyar la unidad sobre la parte trasera, asegúrese de dejarla reposar en posición vertical por lo menos durante 2 horas antes de conectarla a la fuente de energía; esto reducirá la posibilidad de un mal funcionamiento del sistema de enfriamiento.
14. Configure los controles de temperatura en el ajuste deseado.



Consejos para la Solución de Problemas... Antes de solicitar el servicio técnico

¡Ahorre tiempo y dinero! Primero revise los cuadros que aparecen en las siguientes páginas y es posible que no necesite solicitar reparaciones. De ser necesario, podrá programar el servicio técnico visitándonos en GEAppliances.com o llamando al 800. GECARES 800.432.2737. En Canadá, visite GEAppliances.ca o llame al 800.561.3344.

Problema	Posibles causas	Qué hacer
El aparato de vinos no funciona y la pantalla está en blanco	El aparato de vinos está desconectado.	Empuje el enchufe completamente dentro del tomacorriente.
	El aparato doméstico se saltó/el fusible se quemó.	Reemplace el fusible o vuelva a iniciar el interruptor.
Vibración o cascabeleo (una vibración ligera es normal)	El aparato se encuentra en una superficie desnivelada.	Consulte la sección Patas de nivelación.
El motor funciona por períodos o ciclos prolongados	Es normal cuando el aparato de vinos se conecta por primera vez.	Espere 12 horas para que el aparato se enfríe refroidi completamente.
	Ocurre a menudo cuando grandes cantidades de vino se almacenan en el aparato.	Esto es normal.
	La puerta se dejó abierta.	La puerta no se cierra sola. Siempre cerciórese de cerrar la puerta después de abrirla.
		Revise si una botella está sosteniendo la puerta abierta.
	Estación calurosa o la puerta se abre frecuentemente.	Esto es normal.
	El control de temperatura está en el nivel más frío.	Consulte la sección Acerca de los controles y ajustes.
El aparato está muy cerca de la pared.	Consulte la sección Pautas para la instalación para los aislamientos correctos.	
El aparato está demasiado caliente	Es normal cuando el aparato se conecta por primera vez.	Espere 12 horas para que el aparato se enfríe refroidi completamente.
	Ocurre a menudo cuando grandes cantidades de vino se almacenan en el aparato.	Esto es normal.
	El control de temperatura no está en un nivel suficientemente frío.	Consulte la sección Acerca de los controles y ajustes.
	Estación cálida o la puerta se abre frecuentemente.	Mueva el control de la temperatura a un nivel más frío. Consulte la sección Acerca de los controles y ajustes.
	El aparato está muy cerca de la pared.	Consulte la sección Pautas para la instalación para los aislamientos correctos.
		La puerta se dejó abierta.
	Revise si una botella está sosteniendo la puerta abierta.	
El aparato no funciona, pero está encendida y en funcionamiento	La configuración se encuentra por encima de la temperatura ambiente.	Esto es normal. Si los vinos o las bebidas no se encuentran bien frías, cambie la configuración de temperatura a una más baja.

Consejos para la Solución de Problemas... Antes de solicitar el servicio técnico

Problème	Cause possible	Que faire
El aparato produce un olor	El interior necesita limpieza.	Consulte la sección Cuidado y limpieza.
Se forma humedad en el exterior el aparato	No es extraño durante los períodos de humedad alta.	Seque la superficie.
Se forma humedad al interior (en climas húmedos, el aire lleva humedad hacia el aparato cuando la puerta está abierta)	La puerta se abre con demasiada frecuencia o por mucho tiempo.	
	Las botellas de vino están tocando la pared posterior.	Vuelva a colocar las botellas.
Se forma escarcha en las superficies interiores del aparato	Esto es normal.	Consultar la sección Descongelación.
	La puerta se dejó abierta.	Se puede formar escarcha excesiva si la puerta se deja abierta. Consultar la sección Descongelación.
		La puerta no se cierra sola. Siempre cerciórese de que la puerta esté cerrada después de abrirla.
	Revise si una botella está sosteniendo la puerta abierta.	
El aparato está demasiado frío	El control de temperatura está en un nivel demasiado frío.	Consulte la sección Acerca de los controles y ajustes.
	La temperatura del cuarto donde se encuentra el aparato está demasiado fría.	Para una operación correcta, la temperatura del cuarto debe ser igual o superior a la temperatura establecida del aparato.
La temperatura en la pantalla no es la temperatura que se estableció	Esto es normal.	Después de establecer la temperatura, la pantalla regresa a la temperatura real.
Condensación al de la puerta	El aparato está localizado en un ambiente de alta humedad.	Limpie la condensación con un paño limpio y seco.
		Coloque el aparato en un ambiente de menor humedad.
Agua en piso detrás el aparato	La puerta se dejó abierta.	La puerta no se cierra sola. Siempre cerciórese de que la puerta esté cerrada después de abrirla.
		Revise si una botella está sosteniendo la puerta abierta.
	Inclinar la unidad cuando se la desplaza.	Esto es normal. La bandeja de desagüe por encima del compresor puede encontrarse llena después del descongelado. Verifique que no haya derrames de agua cuando desplace la unidad.
Centro de Vinos GWS04 Únicamente		
Óxido, deslustre o suciedad en puertas de acero inoxidable	Ambiente húmedo o aire salino.	Limpie el acero inoxidable con limpiadores que contengan ácido oxálico (tal como un Limpiador Suave de la marca Bar Keepers Friend); estos eliminarán el óxido, cal u otros deslustres. No limpie el refrigerador con una tela sucia para platos o con una tela o toalla mojada. No use estropajos, limpiadores en polvo, blanqueadores ni limpiadores que contengan blanqueador, ya que estos productos pueden rayar y arruinar la terminación del acero inoxidable.

Garantía del Centro de Vinos/ Centro de Bebidas y Vinos

GARANTÍA

GEAppliances.com

Todo el servicio de garantía es provisto por nuestros Centros de Servicio de Fabricación, o un técnico autorizado de Servicio al Cliente (Customer Care®). Para programar una visita del servicio técnico, visítenos en www.geappliances.com/service_and_support/, o comuníquese al 800.GE.CARES (800.432.2737). Cuando llame para solicitar el servicio, tenga los números de serie y modelo disponibles.

En Canadá, llame al 800.561.3344.

Por el período de:	GE Appliances reemplazará:
Un año A partir de la fecha de la compra original	Cualquier parte del Centro de Vinos/ Centro de Bebidas y Vinos que falle debido a defectos en los materiales o en la fabricación. Durante esta garantía limitada de un año, GE Appliances también proporcionará, sin costo alguno , toda la mano de obra y el servicio relacionado—para reemplazar partes defectuosas.

Lo que GE Appliances no cubrirá:

- Viajes de servicio a su hogar para enseñarle cómo usar el producto.
- Instalación o entrega inapropiada, o mantenimiento impropio.
- Fallas del producto si hay abuso, mal uso, o uso para otros propósitos que los propuestos, o uso para fines comerciales.
- Pérdida de los beverages por averías.
- Causar daños después de la entrega.
- Reemplazo de fusibles de su hogar o reajuste de interruptores de circuito.
- Reemplazo de las bombillas, si incluidos, o los filtros de agua, si incluidos.
- Daño al producto causado por accidente, fuego, inundaciones, o actos de Dios.
- Daño incidental o consecuencial causado por posibles defectos con el aparato.
- Producto no accesible para facilitar el servicio requerido.
- Daños sobre el acabado, tales como óxido sobre la superficie, deslustres o manchas pequeñas no informadas dentro de las 48 horas luego de la entrega.

EXCLUSIÓN DE GARANTÍAS IMPLÍCITAS—Su único y exclusivo derecho es la reparación del producto, tal y como se indica en esta Garantía limitada. Cualquier garantía implícita, incluyendo las garantías implícitas de comerciabilidad o adecuación para un fin determinado, están limitadas a un año o el período de tiempo más breve permitido por la ley.

Para los clientes de EE.UU. Esta garantía se extiende al comprador original y a cualquier dueño subsiguiente de productos comprados para uso hogareño dentro de EE.UU. Si el producto está en un área donde no se encuentra disponible un Proveedor Autorizado del Servicio Técnico de GE, usted será responsable por el costo de un viaje o se podrá requerir que traiga el producto a una ubicación del Servicio Técnico de GE Autorizado para recibir el servicio. En Alaska, la garantía excluye el costo de envío o llamadas del servicio a su hogar.

Algunos estados no permiten la exclusión o limitación de daños fortuitos o consecuentes. Esta garantía le da derechos legales específicos y es posible que tenga otros derechos legales que varían entre un estado y otro. Para conocer cuáles son sus derechos legales, consulte a la oficina de asuntos del consumidor local o estatal o al Fiscal de su estado.

Garante: GE Appliances

Para los clientes de Canadá : Esta garantía se extiende al comprador original y cualquier comprador posterior de productos comprados en Canadá para uso residencial dentro de Canadá. El servicio a domicilio warrant será proporcionado en las áreas donde está disponible y que se considere razonable por Mabe para ofrecer.

Garante: MC Commercial, Burlington, Ontario, L7R 5B6

Grape aquí su recibo. Se requiere facilitar prueba de la fecha de compra original para obtener un servicio bajo la garantía.

Soporte para el Consumidor

Sitio Web de GE Appliances

¿Desea realizar una consulta o necesita ayuda con su electrodoméstico? ¡Intente a través del Sitio Web de GE Appliances las 24 horas del día, cualquier día del año! Usted también puede comprar más electrodomésticos maravillosos de GE Appliances y aprovechar todos nuestros servicios de soporte a través de Internet, diseñados para su conveniencia.

En EE.UU.: GEAppliances.com En Canadá: GEAppliances.ca

Registre su Electrodoméstico

¡Registre su electrodoméstico nuevo a través de Internet, según su conveniencia! Un registro puntual de su producto permitirá una mejor comunicación y un servicio más puntual de acuerdo con los términos de su garantía, en caso de surgir la necesidad. También puede enviar una carta en la tarjeta de inscripción preimpresa que se incluye con el material embalado.

En EE.UU.: GEAppliances.com/register

En Canadá: Prodsupport.mabe.ca/crm/Products/ProductRegistration.aspx

Servicio Programado

El servicio de reparación de expertos de GE Appliances está a sólo un paso de su puerta. Conéctese a través de Internet y programe su servicio a su conveniencia cualquier día del año. En EE.UU.: GEAppliances.com/ge/service-and-support/service.htm o comuníquese al 800.432.2737 durante el horario de atención comercial.

En Canadá: GEAppliances.ca/en/support/service-request o comuníquese al 800.561.3344

Garantías Extendidas

Adquiera una garantía extendida de GE Appliances y conozca los descuentos especiales que están disponibles mientras su garantía aún está vigente. La puede adquirir en cualquier momento a través de Internet. Los servicios de GE Appliances aún estarán allí cuando su garantía caduque.

En EE.UU.: GEAppliances.com/ge/service-and-support/shop-for-extended-service-plans.htm

o comuníquese al 800.626.2224 durante el horario de atención comercial.

En Canadá: GEAppliances.ca/en/support/purchase-extended-warranty o comuníquese al 800.290.9029

Conectividad Remota

Para solicitar asistencia para la conectividad de red inalámbrica (para modelos con acceso remoto), visite nuestro sitio web en GEAppliances.com/ge/connected-appliances/ o comuníquese al 800.220.6899 en EE.UU.

Piezas y Accesorios

Aquellos individuos calificados para realizar el servicio técnico de sus propios electrodomésticos podrán solicitar el envío de piezas o accesorios directamente a sus hogares (se aceptan las tarjetas VISA, MasterCard y Discover). Ordene hoy a través de Internet durante las 24 horas, todos los días. En EE.UU.: GEApplianceparts.com o de forma telefónica al 877.959.8688 durante el horario de atención comercial.

Las instrucciones que figuran en este manual cubren los procedimientos que serán realizados por cualquier usuario. Otros servicios técnicos generalmente deben ser derivados a personal calificado del servicio. Se deberá tener cuidado, ya que una reparación indebida podrá hacer que el funcionamiento no sea seguro.

Los clientes de Canadá deberán buscar el centro de servicios Mabe más cercano en las páginas amarillas; visite nuestro sitio web en GEAppliances.ca/en/products/parts-filters-accessories o comuníquese al 800.661.1616.

Contáctenos

Si no se encuentra satisfecho con el servicio que recibió de GE Appliances, comuníquese con nosotros a través de nuestro sitio Web con todos los detalles, incluyendo su número telefónico, o escriba a:

En EE.UU.: General Manager, Customer Relations | GE Appliances, Appliance Park | Louisville, KY 40225

GEAppliances.com/ge/service-and-support/contact.htm

En Canadá: Director, Consumer Relations, Mabe Canada Inc. | Suite 310, 1 Factory Lane | Moncton, N.B. E1C 9M3

GEAppliances.ca/en/contact-us