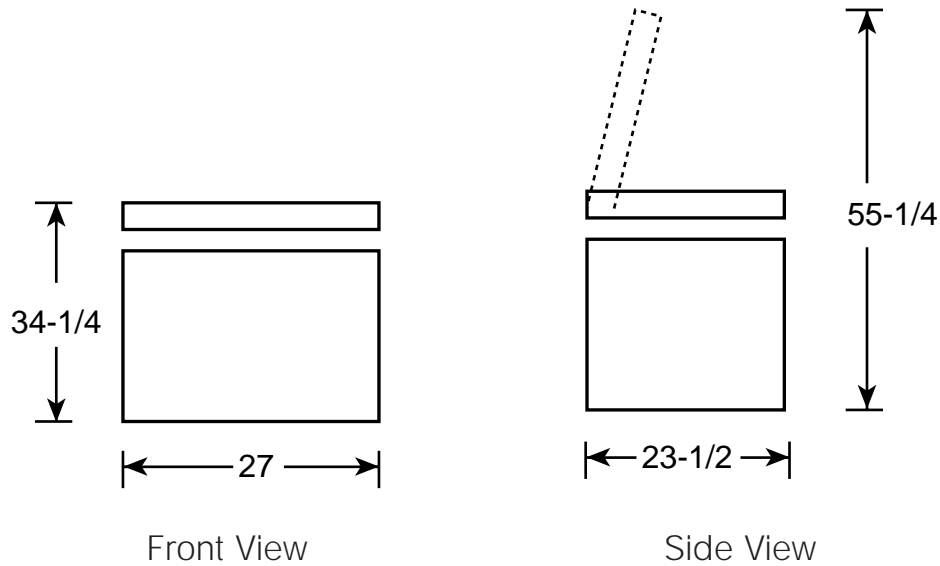




GE Appliances

## FCM5SAWH—GE Chest Freezer

Dimensions (in inches)



Air Clearances	
Each side (in.)	3
Back (in.)	3

Revised 8/98

For answers to your Monogram,<sup>®</sup>  
 GE Profile Performance Series,<sup>™</sup>  
 GE Profile<sup>™</sup> or GE appliance questions, call  
 GE Answer Center<sup>®</sup> service, 800.626.2000.



Total volume and shelf  
 area are calculated by the  
 Association of Home  
 Appliance Manufacturers'  
 standards.



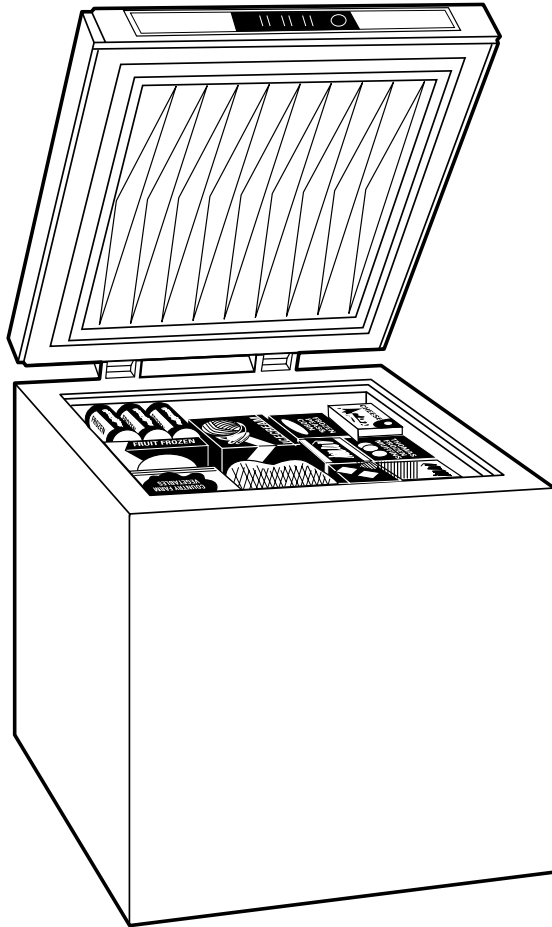
Listed by  
 Underwriters  
 Laboratories



*GE Appliances*

---

## FCM5SAWH—GE Chest Freezer



### **Features and Benefits**

- 5.0 cu. ft. Capacity
- Manual Defrost
- Adjustable Temperature Control
- Model FCM5SAWH—White