

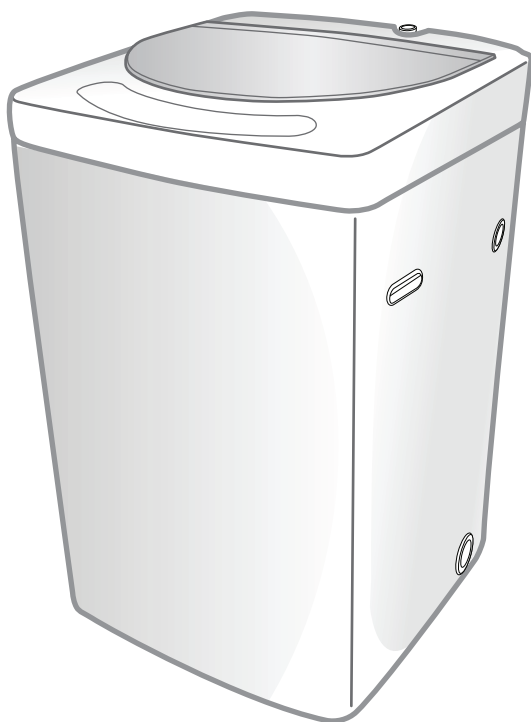
# Haier

Installation and User Manual  
Instructions d'installation et  
Guide de l'utilisateur  
Instrucciones de instalación y  
Manual del usuario  
**HLP21N**

## Top-Load Portable Compact Clothes Washer

Laveuse compacte portative à chargement  
par le haut

Lavadora compacta y portátil de carga  
superior



**Designed for  
High-Efficiency;  
use HE detergent.**

**Conçue pour  
haute efficacité;  
utiliser un  
détergent HE.**

**Diseñada para una  
alta eficiencia; use  
detergente HE  
(Alta eficiencia).**

Part # 00XXXXXXXXXX



# TABLE OF CONTENTS

<b>WASHER SAFETY</b> .....	<b>2</b>
<b>PARTS AND FEATURES</b> .....	<b>5</b>
<b>INSTALLATION REQUIREMENTS</b> .....	<b>6</b>
Tools Needed .....	6
Parts Supplied .....	6
Location Requirements .....	7
Drain System Requirements .....	8
Electrical Requirements .....	9
Grounding instructions .....	10
<b>INSTALLATION INSTRUCTIONS</b> .....	<b>11</b>
Step 1 – Unpack the Washer .....	11
Step 2 - Route Drain Hose (Optional) .....	12
Step 3 - Install Bottom Plate .....	13
Step 4 - Install Casters (optional) .....	14
Step 5 - Level the Washer .....	15
Step 6 - Secure the Drain Hose .....	16
Step 7 - Connect the Water Hose .....	16
Step 8 - Complete Installation .....	20
<b>CONTROL PANEL AND FEATURES</b> .....	<b>21</b>
<b>WASHER USE</b> .....	<b>23</b>
Step 1 - Prepare and Sort Laundry .....	23
Step 2 - Add Fabric Care Products .....	23
Step 3 - Load the Washer .....	24
Step 4 - Start the Washer .....	24
<b>WASHER CARE</b> .....	<b>25</b>
Cleaning and Maintenance .....	25
Vacationing Precautions .....	25
Moving or Storage Preparation .....	26
Reinstalling/Using Washer Again .....	26
<b>TROUBLESHOOTING</b> .....	<b>27</b>
<b>LIMITED WARRANTY</b> .....	<b>29</b>

## RECORD KEEPING

Thank you for purchasing this Haier product. This user manual will help you get the best performance from your new washer.

For future reference, record the model and serial number located on back of the washer, and the date of purchase.

Staple your proof of purchase to this manual to aid in obtaining warranty service if needed.

\_\_\_\_\_

Model number

\_\_\_\_\_

Serial number

\_\_\_\_\_

Date of purchase

## WASHER SAFETY

### **Your safety and the safety of others are very important.**

We have provided many important safety messages in this manual and on your appliance. Always read and obey all safety messages.



This is the safety alert symbol.

This symbol alerts you to potential hazards that can kill or hurt you and others. All safety messages will follow the safety alert symbol and either the word "DANGER," "WARNING" or "CAUTION."

These words mean:



An imminently hazardous situation. You could be killed or seriously injured if you don't immediately follow instructions.



A potentially hazardous situation which, if not avoided, could result in death or serious bodily injury.



A potentially hazardous situation which, if not avoided, may result in moderate or minor injury.

All safety messages will tell you what the potential hazard is, tell you how to reduce the chance of injury, and tell you what can happen if the instructions are not followed.

# IMPORTANT SAFETY INSTRUCTIONS

**WARNING:** To reduce the risk of fire, electrical shock, injury to persons, or damage when using the washer, follow basic precautions, including the following:

- Keep the area around your appliance free from combustible materials such as lint, paper, rags or chemicals.
  - Close supervision is necessary if this appliance is used by or near children. Do not allow children to play on, with, or inside this appliance.
  - Do not place articles that have been previously cleaned in, washed in, soaked in, or spotted with gasoline, dry-cleaning solvents or other flammable or explosive substances in the wash water. These substances give off vapors that could ignite or explode.
  - Do not add gasoline, dry-cleaning solvents, or other flammable or explosive substances to the wash water. These substances give off vapors that could ignite or explode.
  - Do not reach into the appliance if the wash basket, tub or agitator is moving.
  - Do not tamper with the controls.
  - To minimize the possibility of electric shock, unplug this appliance from the power supply before attempting any maintenance or cleaning.
- NOTE:** Turning off “Power” does NOT disconnect the appliance from the power supply.
- Do not attempt to service, repair or replace any part of the appliance unless specifically recommended in this user manual or in published repair instructions that you understand and have the skills to carry out.
  - Before discarding or removing from service, remove the washer door or lid.
  - Read all of the instructions before using this appliance.
  - Use this appliance only for its intended purpose as described in this user manual.
  - Do not use the washer for commercial clothes washing.

## IMPORTANT SAFETY INSTRUCTIONS

- Under certain conditions, hydrogen gas may be produced in a hot-water system that has not been used for 2 weeks or more. **HYDROGEN GAS IS EXPLOSIVE.** If the hot water system has not been used for such a period, before using a washing machine, turn on all hot-water faucets and let the water flow from each for several minutes. This will release any accumulated hydrogen gas. As the gas is flammable, do not smoke or use an open flame during this time.
- This appliance must be properly installed and located in accordance with the installation instructions before it is used.
- Do not store or install this appliance where it will be exposed to temperatures below freezing or exposed to weather, which can cause damage to the appliance.
- The appliance must be properly grounded to conform with all electrical codes and ordinances. See "Electrical Requirements" section.

## READ AND SAVE THESE INSTRUCTIONS

### **WARNING**

#### **Suffocation Hazard**

Before you throw away your old appliance, remove the door or lid so that children cannot hide or get trapped inside your old appliance.

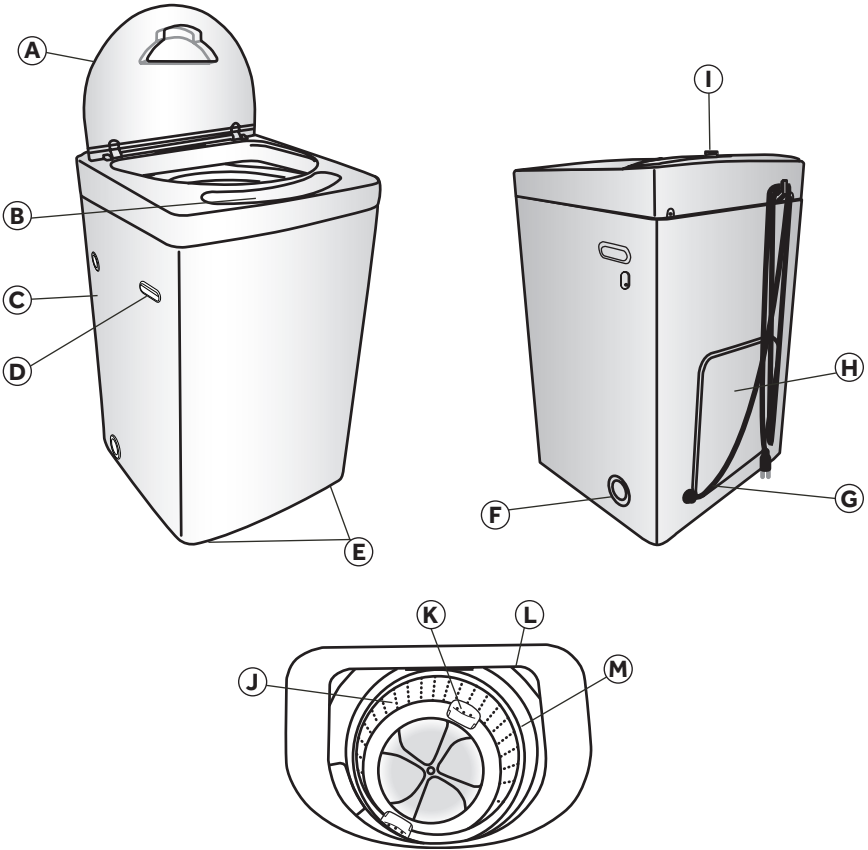
Failure to follow these instructions can result in death or brain damage.

State of California Proposition 65 Warnings:

**WARNING:** This product contains one or more chemicals known to the State of California to cause cancer.

**WARNING:** This product contains one or more chemicals known to the State of California to cause birth defects or other reproductive harm.

## PARTS AND FEATURES



- A** Top Lid
- B** Control Panel
- C** Cabinet
- D** Cabinet Handle
- E** Leveling Feet
- F** Drain Port
- G** Power Cord (120 Volt/ 60 Hz)
- H** Access Panel
- I** Water Inlet Valve
- J** Wash Basket
- K** Power Jet
- L** Outer Tub Cover
- M** Balance Ring

# INSTALLATION REQUIREMENTS

## TOOLS NEEDED

- Pliers
- Wrench
- Phillips Screwdriver
- Measuring Tape
- Carpenter's Level

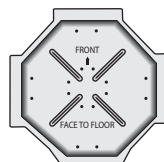
## PARTS SUPPLIED



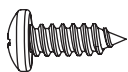
- Drain Hose Hook



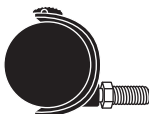
- Water Hose (flat washers pre-installed)



- Bottom Panel



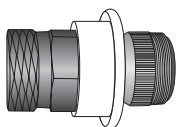
- Bottom Panel Screw (6)



- Caster (4)



- Caster Wrench



- Quick Sink Faucet Adapter



- Cable Tie
- User Manual

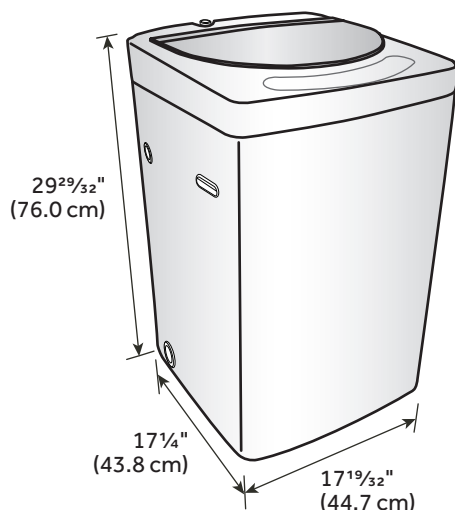


## LOCATION REQUIREMENTS

- The washer must be installed on a solid floor to minimize vibration during the spin cycle. A concrete floor is best.
- The floor should be level with maximum slope of 1" (25 mm) under entire washer.
- A suitable location is protected from direct sunlight and heat sources such as radiators, baseboard heaters, or cooking appliances.
- Do not install on carpeting.
- The location must have a grounded electrical outlet located within 4 ft. (1.2 m) of power cord on the back of the washer.
- Water faucet must be present within 3 ft. (0.9 m) of the connection on the washer.
- Only connect to cold water tap (faucet).
- The water pressure should be between 20 and 100 psi (138 and 690 kPa).

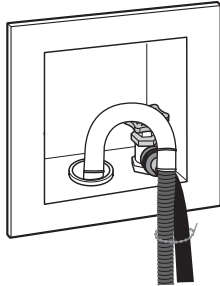
**IMPORTANT:** Do not install or operate the washer where it will be exposed to temperatures below 32°F (0°C). Water remaining in the washer will freeze and cause damage to the washer.

## WASHER DIMENSIONS



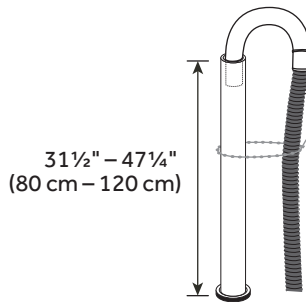
## DRAIN SYSTEM REQUIREMENTS

### WALL



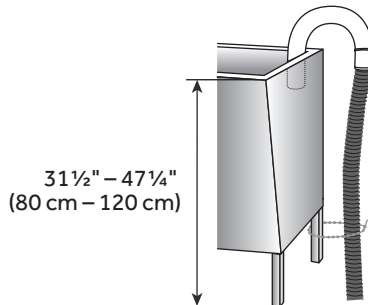
### FLOOR STANDPIPE

The height of the standpipe must be between 31½" (80 cm) and 47¼"(120 cm) from the bottom of the washer. The minimum diameter of the standpipe must be 2" (5 cm).



### LAUNDRY TUB

The laundry tub must have a minimum capacity of 20 gal. (76 L). The height of the laundry tub must be at least 31½" (80 cm) and no more than 47¼"(120 cm).



## ELECTRICAL REQUIREMENTS

### ⚠ WARNING



#### Electrical Shock Hazard

The washer must be connected to a properly grounded 120 volt, 60 Hz., AC only, 15- or 20-amp, fused electrical supply. A time-delay fuse or circuit breaker is recommended.

Failure to do so could result in death, fire or electric shock.

- If you are in doubt the electric supply provided meets the above requirements, contact a licensed electrician.

### ⚠ WARNING



#### Electrical Shock Hazard

Plug into a grounded 3 prong outlet.

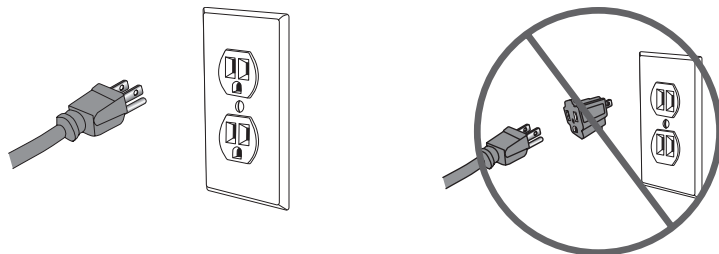
Do not remove the ground prong from the power cord plug.

Do not use an adapter.

Do not use an extension cord.

Failure to do so can result in death, fire or electrical shock.

- A 120 volt, 60 Hz., AC only, 15- or 20-amp, fused electrical supply is required. A time-delay fuse or circuit breaker is recommended. It is recommended that a separate circuit breaker serving only this appliance be provided.
- This washer is equipped with a power supply cord having a 3 prong grounding plug.
- To minimize possible shock hazard, the cord must be plugged into a mating, 3 prong, grounding-type outlet, grounded in accordance with local codes and ordinances. If a mating outlet is not available, it is the personal responsibility and obligation of the customer to have the properly grounded outlet installed by a qualified electrician.



- If codes permit and a separate ground wire is used, it is recommended that a qualified electrician determine that the ground path is adequate.
- Do not ground to a gas pipe.
- Check with a qualified electrician if you are not sure the washer is properly grounded.
- Do not have a fuse in the neutral or ground circuit.

## GROUNDING INSTRUCTIONS

### **For a grounded, cord-connected washer:**

The washer must be grounded. In the event of a malfunction or breakdown, grounding will reduce the risk of electric shock by providing a path of least resistance for electric current. The washer is equipped with a cord having an equipment-grounding conductor and a grounding plug. The plug must be plugged into an appropriate outlet that is properly installed and grounded in accordance with all local codes and ordinances.

**WARNING:** Improper connection of the equipment-grounding conductor can result in a risk of electric shock.

Check with a qualified electrician or serviceman if you are in doubt whether the washer is properly grounded.

Do not modify the plug provided with the washer; if it will not fit the outlet, have a proper outlet installed by a qualified electrician.

### **For a permanently connected washer:**

The washer must be connected to a grounded metal, permanent wiring system, or an equipment-grounding conductor must be run with the circuit conductors and connected to the equipment-grounding terminal or lead on the washer.

## INSTALLATION INSTRUCTIONS

We recommend that your new washer be installed by a qualified appliance technician. If you feel that you have the skills to install the washer, please read the installation instructions carefully before installing.

### IMPORTANT:

- If, after completing these steps, you are unsure that the washer is properly installed, contact a qualified appliance technician.
- If your washer was just delivered and the outside temperature was below freezing, do not operate until the washer warms up to room temperature.

## STEP 1 – UNPACK THE WASHER

### ! WARNING



#### Suffocation Hazard

To avoid danger of suffocation, keep plastic bag and other packing material away from babies and children. Do not use this bag in cribs, carriages and playpens. The plastic bag could block nose and mouth and prevent breathing. This bag is not a toy.

Failure to follow these instructions can result in death or brain damage.

### ! WARNING

#### Excessive Weight Hazard

Use two or more people to move and install washer.

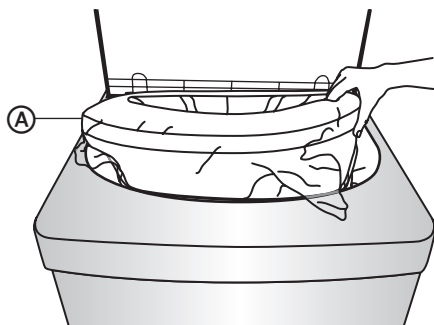
Failure to do so can result in back or other injury.

1. Remove all packing materials. This includes the foam base, molded plastic support and all adhesive tape holding the washer accessories inside and outside.

**IMPORTANT:** Failure to remove the packing base will cause the washer to not operate properly and will void your warranty.

- Open the lid to access the wash basket brace. Pull up on the basket brace to remove.

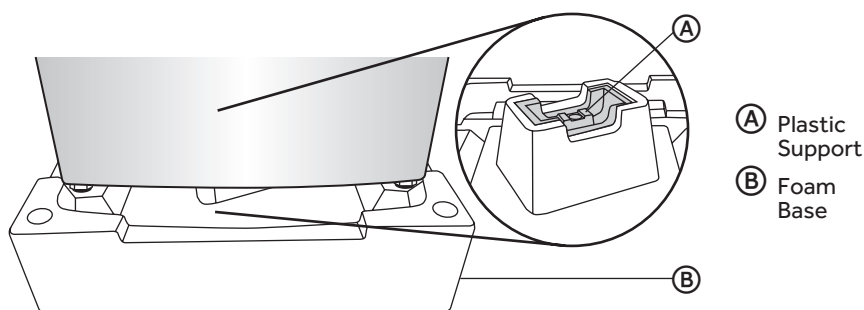
**NOTE:** Save the wash basket brace to use when moving the washer in the future.



(A) Wash Basket Brace

- Using two or more people, lift the washer off of the packing base and the molded plastic support.

**NOTE:** It is possible for the plastic support, under the U bracket, to remain attached to the bottom of the washer. Make sure it is removed with the foam base.



(A) Plastic Support

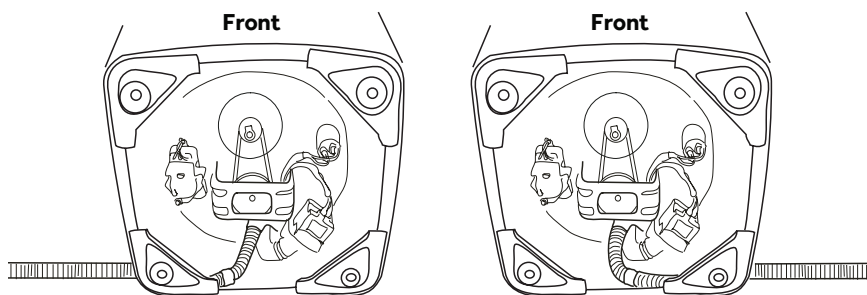
(B) Foam Base

2. Inspect the washer, and remove any remnants of packaging, tape or printed materials before using the washer.
3. Properly dispose of /recycle all packing material.

## STEP 2 - ROUTE DRAIN HOSE (OPTIONAL)

The washer comes from the factory with the drain hose routed so that it extends from the bottom, left-hand side of the washer. If you want the hose to extend from the right-hand side of the washer for draining, you must reroute the hose.

1. Remove the hose clamp. Gently pull the drain hose back through the opening on the left-hand side of the washer.
2. Insert the drain hose into the opening on the right-hand side of the washer and gently extend the hose to its full length.



### STEP 3 - INSTALL BOTTOM PLATE

## ⚠ WARNING



### Electrical Shock Hazard

Install bottom cover.

Lock all four casters prior to operating washer.

Failure to do so can result in death, electric shock or personal injury.

## ⚠ WARNING



### Electrical Shock Hazard

Disconnect power before servicing.

Replace all parts and panels before operating.

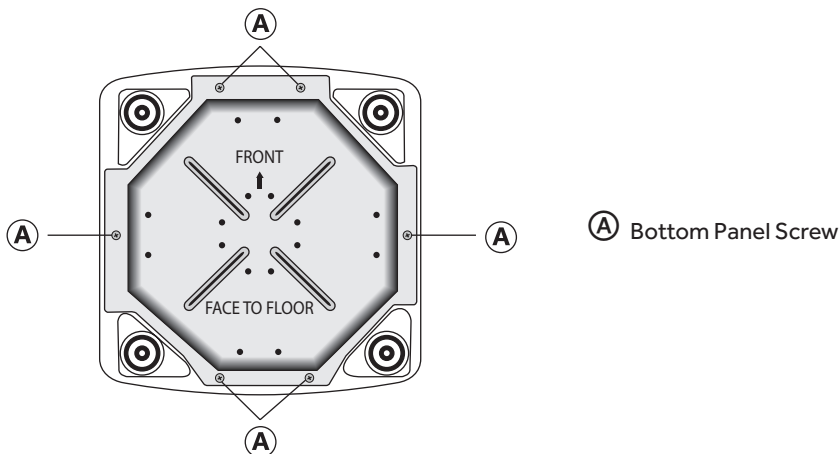
Failure to do so can result in death or electrical shock.

1. Place the bottom plate against the bottom of the washer, with the side marked "face to floor" facing you, and the end marked "front" aligned with the front of the washer.

- Align the holes in the bottom plate with the holes in the bottom of the washer.

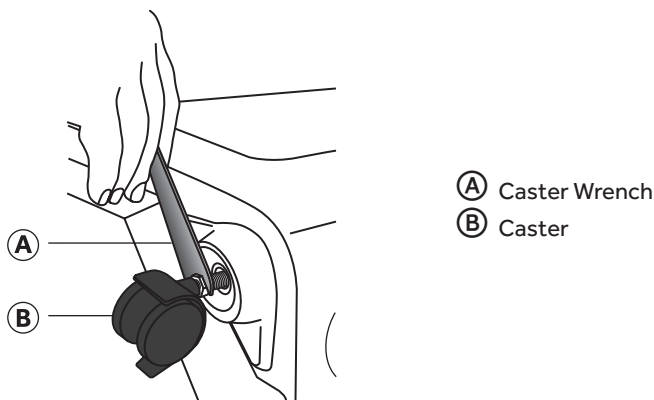
**IMPORTANT:** To avoid damage to the washer, make sure the bottom plate is positioned correctly before fastening the plate to the washer.

- Using a Phillips screwdriver and the 6 bottom plate screws (provided), insert each screw through the bottom plate and into the bottom of the washer cabinet. Tighten the screws completely.



## STEP 4 - INSTALL CASTERS (OPTIONAL)

- Unscrew and remove the 4 fixed leveling legs.
- Screw each of the 4 casters into the holes in the base of the washer. Using a wrench, tighten the locking nut to the bottom of the washer.



- Press the tab on each caster into the down position to lock the caster.



## STEP 5 - LEVEL THE WASHER

**IMPORTANT:** Proper leveling of the washer will help reduce noise and vibration.

- Using two or more people stand the washer upright.

**NOTE:** If you installed casters, unlock them by lifting up on the tab.

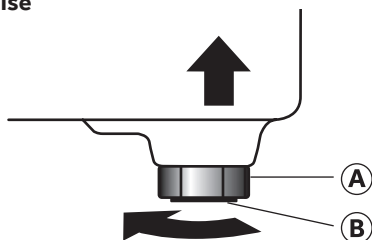
- Place washer in its final location. Check that the water and drain lines are not strained or pinched. Make sure that all four feet are firmly in contact with the floor and that the washer rests solidly in position.
- Using a carpenter's level, check to make sure the washer is level from side to side and from front to back.
- If the washer is not level, adjust the leveling feet or casters. Turn clockwise to extend (raise the washer) or counterclockwise to retract (lower the washer).

**NOTE:** If the washer is inclined more than 2°, it will not operate.

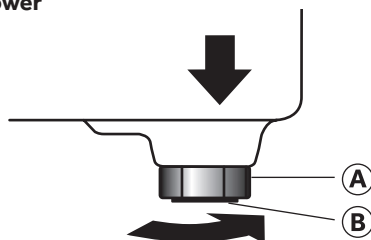
### FIXED LEVELING FEET

- Loosen the adjustable large, outer ring, and then turn the center foot clockwise or counterclockwise to adjust the height.

Raise



Lower



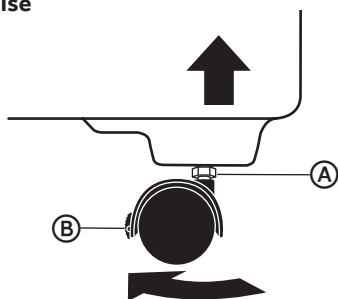
- (A) Outer Ring  
(B) Center Foot

- Once the washer is level, lock the position of each leveling foot by tightening the large, outer ring.

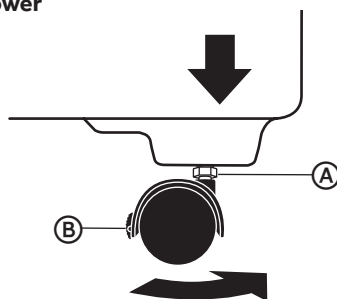
### CASTERS

- Using the caster wrench turn the locking nut on the caster clockwise or counterclockwise to adjust the height.

Raise



Lower

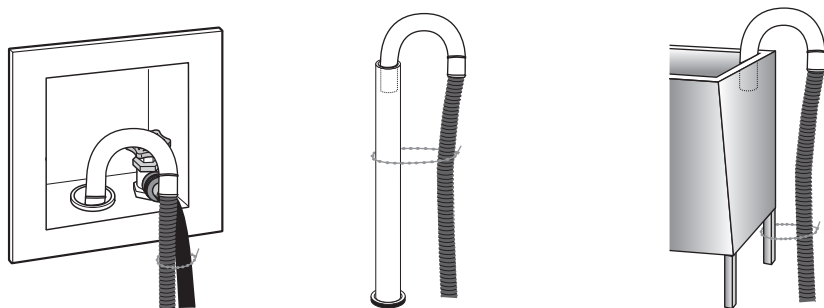


- (A) Locking Nut  
(B) Caster Lever

- After leveling, press down on the Caster lever to lock the casters before using the washer.
  - To Lock - Press down on Caster lever.
  - To Unlock - Lift up on Caster lever.

## STEP 6 - SECURE THE DRAIN HOSE

- Put the drain hose hook end in a drain pipe or laundry tub.



- Secure the drain hose in place by fastening it to a water hose, the standpipe, or a leg on the laundry tub. See "Drain System Requirements" for details.

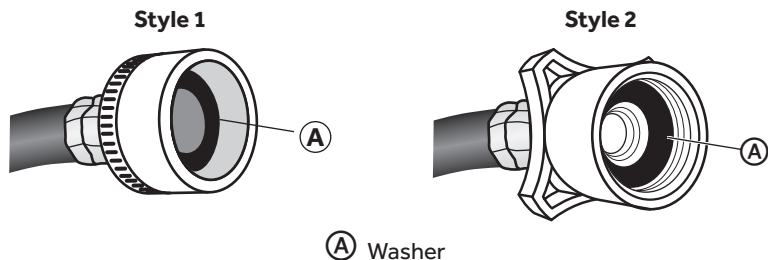
## STEP 7 - CONNECT THE WATER HOSE

Depending on your model, the water hoses provided will be either **Style 1** or **Style 2**. Follow the instructions specific to the style of water hoses provided.

**IMPORTANT:** Only use new hoses when installing the washer. The water hoses must have a coarse thread connectors on one end (to connect to the household water supply), and fine thread connectors on the other end (to connect to the washing machine).

**NOTE:** Periodically inspect hose for cracks, cuts, leaks or wear. Replace with new hose every 5 years.

- Check that a flat washer is present and firmly in place in each end of the water inlet hose. Flat washers are pre-installed at the factory.



- Thread the white end of the inlet hose by hand onto the inlet valve on the back of the washer until firmly hand tightened.

**IMPORTANT:**

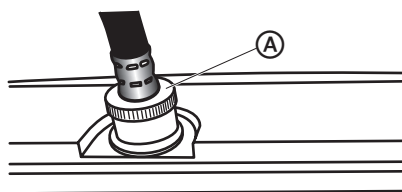
- Do not connect the gray end of the inlet hose to the washer. You will damage the threads and it will leak.
- To avoid damage to the hose couplings, do not over tighten.

**Style 1** - Using pliers, tighten the connection an additional two-thirds turn.

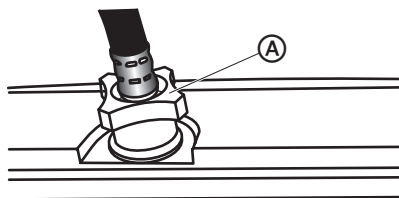
**Style 2** - Do not use pliers to tighten the connection.

**NOTE:** To avoid damage to the washer inlet valve, do not use thread seal tape or sealants on the valve threads.

**Style 1**



**Style 2**



(A) White End Only

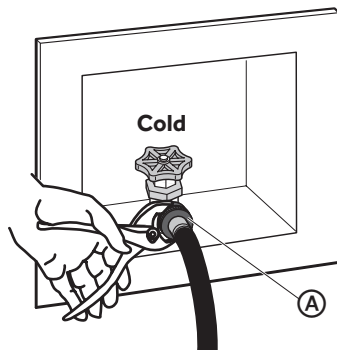
**OPTION 1 - FIXED**

**NOTE:** In order for this washer to meet the regulated energy standards, the faucet supplying the water must be set to cold.

- Thread the grey end of the inlet hose onto the water faucet by hand until snug. Then using pliers, tighten an additional two-thirds turn.

**IMPORTANT:** To avoid damage to the hose coupling, do not over tighten.

**NOTE:** To avoid damage to the faucet do not use thread seal tape or sealants on the valve threads.



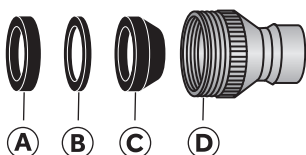
(A) Gray End Only

- Turn on the water faucet and check for leaks. If there is any leaking, check for loose connections and tighten.

## OPTION 2 - PORTABLE

**NOTE:** In order for this washer to meet the regulated energy standards, the faucet supplying the water must be set to cold.

1. Remove the aerator from your faucet nozzle.
2. Examine the faucet to determine if it has internal or external faucet threads.
  - Internal threads - Keep the rubber washer (A) in place
  - External threads - Remove the rubber washer (A) before threading the faucet connector onto the faucet.

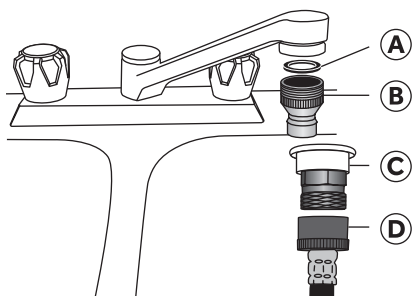


- (A) Removable Washer  
 (B) Secondary Washer (Do not remove)  
 (C) Washer Support (Do not remove)  
 (D) Silver Faucet Connector

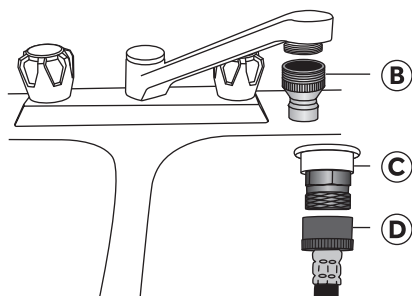
**NOTE:** The faucet connector (provided) is threaded so that it will fit MOST faucets. If the provided faucet connector does not fit your faucet, you will need to purchase a faucet connector in the correct size.

3. Thread the silver faucet connector onto the faucet.

### Internal Threads



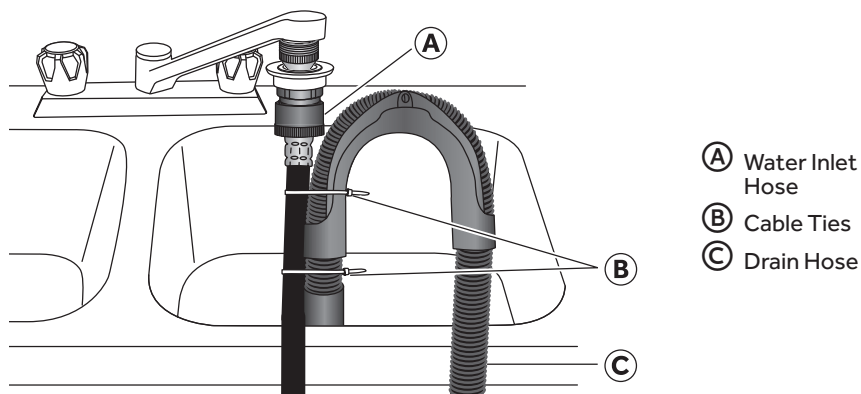
### External Threads



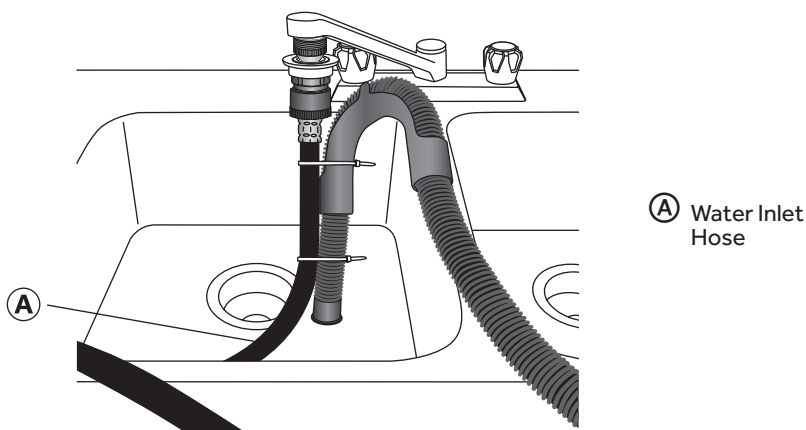
- (A) Rubber Washer  
 (B) Silver Faucet Connector  
 (C) Quick-sink Faucet Adapter  
 (D) Water Inlet Hose - Gray End Only

4. Attach the quick-sink faucet adapter to the gray end of the inlet hose making sure the pre-installed flat washer is between the hose and the adapter.
5. Attach the quick-sink faucet adapter to the silver faucet connector by pulling down on the white collar while pushing upwards on the faucet. Release the white collar and it will lock into place.

6. Turn on the water faucet and check for leaks. If there is any leaking:
  - Check for loose connections and tighten.
  - Make sure the gray end is connected to the Quick-sink Faucet Adapter and the white end is connected to the washing machine.
7. Using 2 cable ties, fasten the water inlet hose to the drain hose so that the hoses will stay in place.



**IMPORTANT:** Place the extra hose length (slack) inside the sink to avoid strain and possible damage to the water faucet.



**STEP 8 - COMPLETE INSTALLATION****⚠ WARNING****Electrical Shock Hazard**

Plug into a grounded 3 prong outlet.

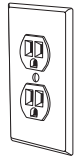
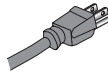
Do not remove the ground prong from the power cord plug.

Do not use an adapter.

Do not use an extension cord.

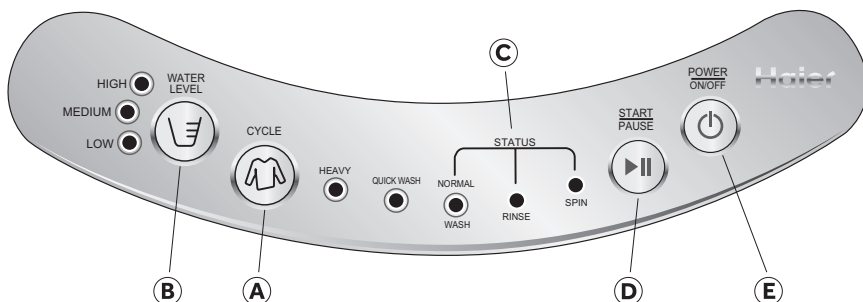
Failure to do so can result in death, fire or electrical shock.

1. Plug the washer into a grounded 3 prong outlet.
2. Check that water faucet is turned on.
3. Dispose of/recycle all packaging materials.
4. Check that the casters, if installed, are locked. See "Level the Washer."
5. Run a normal wash cycle using detergent to test and clean the washer. See the "Operating Instructions" section.



# CONTROL PANEL AND FEATURES

## CONTROL PANEL



### (A) WASH CYCLE BUTTON

- Use this button to select the desired cycle for your wash load.
- The standard default settings of each cycle will be displayed; the default settings can be changed by using the Setting button - Water Level.
- There are 3 cycles to choose from:

**Heavy** - Use this cycle for heavily soiled durable garments. This cycle can also be used for towels, sports gear, children's clothes, etc.

**Normal** - Use this cycle for normally soiled cottons and mixed fabric loads.

**Quick Wash** - Use this cycle to wash small, lightly soiled loads that are needed in a hurry.

### (B) SETTING BUTTON

#### Water Level Button

- Use this button to select an appropriate water level for your load. Small is the lowest water level and Super is the highest.

### (C) CYCLE PROGRESS INDICATORS

- When the washer is first powered on, the Cycle Progress lights indicate the stages of the selected cycle.
- As a stage is completed, the light will turn off indicating that the next stage is operating.
- The entire wash cycle is complete when all of the lights turn off.

### (D) START/PAUSE BUTTON

- Press this button to start a selected cycle or to pause an operating cycle.

**NOTE:** After starting the wash cycle, you must pause the operating cycle to change the Water Level setting.

## E POWER BUTTON

**IMPORTANT:** Switching off power with the power button does not disconnect the appliance from the electrical supply.

- Press the POWER button to turn on the washer.

**NOTE:** If the washer is turned on, but START/PAUSE is not pressed, the power will automatically turn off after 5 minutes.

## CYCLE GUIDE

**NOTE:** To protect your wash load, all options and settings are not available for all cycles. The shaded boxes indicate the default settings for each cycle.

\*Heavy Duty cycle has a default water level of "High" and can not be changed.

CYCLE	PRESS WASH CYCLE BUTTON	FABRIC TYPE	WASH PROCESS	EST TIME	WATER LEVEL
Normal	0	Cottons, linens and mixed garments	13-16 Wash Rinse Spin	:35	Medium
					High Low
Heavy Duty*	1	Heavily soiled, durable colorfast fabrics	26-27 Wash Rinse Spin	:68	High
Quick Wash	2	Cottons, linens and mixed garments	5-6 Wash Rinse Spin	:21	Medium
					High Low
Wash Only	3	All	Wash		Medium
					High Low
Wash & Rinse	4	All	Wash Rinse		Medium
					High Low
Rinse & Spin	5	Unsoiled garments	Rinse Spin	:29	Medium
					High Low
Spin Only	6	Clean soaking wet garments	Spin	:06	n/a

- Estimated Time is based on an average wash load size. Actual time will vary based on the amount of clothes being washed and other variables such as supply line water pressure.



## WASHER USE

### STEP 1 - PREPARE AND SORT LAUNDRY

#### PREPARE LAUNDRY

- Check garment labels for manufacturer's washing instructions.
- Empty pockets and turn them inside out.
- Remove loose items (pins, bobby pins, coins, rings, earrings, napkins, etc.) from clothes to prevent scratching of the wash basket or clogging the drain pump.
- Turn down cuffs and remove any lint or dirt.
- Tie strings and sashes so they don't tangle.
- Close zippers, snaps and hooks to avoid snagging.
- Pretreat all stains and heavily soiled areas.
- Turn synthetic and wool knits inside out to avoid pilling.

#### SORT LAUNDRY

- Sort laundry by the type of wash cycle required.
- Separate light colors from dark colors and colorfast items from non-colorfast items.
- Separate heavy duty fabrics from light weight fabrics.
- Separate fabrics that attract lint from fabrics that give off lint.
- Separate bulky items such as blankets or pillows.

### STEP 2 - ADD FABRIC CARE PRODUCTS

#### ADD DETERGENT

- You may use either liquid or powder detergent in the washer. Follow the detergent use instructions on the container to determine the amount of detergent. It is recommended that you use liquid detergents developed for cold water.

**NOTE:** The proper amount of detergent depends on the size of the load, the soil level of the clothes, and the softness of the water being supplied to the washer.

- If you select the Quick Wash cycle, it is recommended that you use a liquid laundry detergent to achieve optimum results. Powdered detergent may not dissolve fast enough to clean well in this cycle.

#### Liquid Detergent

**NOTE:** For best results allow the liquid detergent to mix with the water before adding laundry.

1. Start wash cycle and allow the wash basket to fill with a small amount of water before dispensing liquid detergent.
2. Pour measured liquid detergent directly into the wash basket.

## Powdered Detergent

**NOTE:** For best results, add the detergent to the wash basket before adding laundry.

1. Start wash cycle and allow the wash basket to fill with a small amount of water. Add powdered detergent directly into the wash basket.

OR

In a separate container, dissolve powdered detergent in warm water and pour the solution directly into the wash basket.

**NOTE:** Do not pour detergent into the wash basket without first dissolving it in water. Undissolved powdered detergent may damage clothes.

## ADD BLEACH (IF DESIRED)

**NOTE:** Bleach should be added to the wash basket at the same time as you add the detergent.

- Pour diluted liquid chlorine bleach to the wash basket water before adding laundry.

**IMPORTANT:** Be careful not to spill undiluted bleach onto the washer cabinet or your clothes. Since it is a strong chemical, it may damage clothes or the finish of the washer.

- Follow manufacturer's directions on garment label for recommended use of liquid or powder bleach.

## STEP 3 - LOAD THE WASHER

1. Open the washer lid. Load laundry evenly and loosely in the wash basket for a balanced load.
2. Close the washer lid.

### NOTES:

- Do not overload or stuff items into the wash basket. Overloading may reduce wash efficiency, cause excess wear and possibly cause creasing or wrinkling of the load.
- The washer will not pulsate or spin with the lid open.

## STEP 4 - START THE WASHER

1. Press the POWER button to turn the washer on.
2. Select a wash cycle.
3. Modify the default settings and options if desired.
4. Press the START/PAUSE button to start the wash cycle.

### **WARNING**



#### **Electrical Shock Hazard**

Disconnect power before cleaning.

Failure to do so can result in death or electrical shock.

## **CLEANING AND MAINTENANCE**

- Unplug washer or disconnect power.
- Only use a damp or sudsy cloth for cleaning the control panel.
- If you spill liquid/powdered softener, bleach or detergent on the cabinet, wipe the cabinet immediately to avoid damage to the finish.
- Do not use abrasive cleansers, harsh chemicals, ammonia, chlorine bleach, concentrated detergent, or solvents to clean the washer. These chemicals may dissolve, damage, or discolor the washer.
- After washing clothes, leave the lid open so that moisture inside the machine can evaporate and to prevent the growth of mold or mildew.

## **VACATIONING PRECAUTIONS**

- Unplug washer or disconnect power.
- Turn off the water supply faucet. This will eliminate the potential for damage to your home if a water hose ruptures or leaks.
- Dry the wash basket.
- Leave the lid open so that moisture inside the machine can evaporate and to prevent the growth of mold or mildew.

## MOVING OR STORAGE PREPARATION

In addition to performing the “Vacationing Precautions,” complete the following additional steps.

- Unplug or disconnect power.
- Disconnect the water hose and the drain hose and place them into the wash basket.
- Turn the leveling feet so that they are fully retracted into the washer cabinet.
- If moving the washer, place the wash basket brace from the original packing materials back into the top of the washer opening. Use masking tape to secure the washer lid.
- Move and store your washer in an upright position only.
- Do not store your washer in a cold environment where temperatures fall below freezing; store at room temperature.

## REINSTALLING/USING WASHER AGAIN

### **WARNING**



#### **Electrical Shock Hazard**

Plug into a grounded 3 prong outlet.

Do not remove the ground prong from the power cord plug.

Do not use an adapter.

Do not use an extension cord.

Failure to do so can result in death, fire or electrical shock.

#### **To reinstall washer after non-use, vacation, winter storage or moving:**

1. Refer to Installation Instructions to locate, level, and connect washer.

#### **To use washer again:**

Before using again, run washer through the following recommended procedure:

1. Flush water pipes and hoses. Reconnect water inlet hoses. Turn on both water faucets.
2. Plug in washer or reconnect power.
3. Run washer through Wash cycle to clean washer and remove antifreeze, if used.

**NOTE:** Use only HE High Efficiency detergent. Use half the manufacturer’s recommended amount for a medium-size load.

## TROUBLESHOOTING

First try the solutions suggested here to possibly avoid the cost of a service call.

### OPERATION

PROBLEM	POSSIBLE CAUSE(S)	SOLUTION
<b>Washer does not run</b>	There is no electrical power going to the washer.	Plug the power cord into a grounded 3 prong outlet.
	Circuit breaker tripped or fuse blown	Reset/Turn on circuit breaker or replace fuse.
	The washer is overloaded or the wash load is not balanced.	Laundry may need to be removed or redistributed to re-balance the load.
	The Delicate cycle was selected.	The washer pauses during some cycles for the laundry to soak. When the soak time ends, the washer will restart automatically.
	The washer lid is open.	Close the washer lid.
<b>Washer lid will not open</b>	Washer lid is locked.	Press Start/Pause to stop your washer. It may take a few moments for the lid lock to disengage.

### WATER

PROBLEM	POSSIBLE CAUSE(S)	SOLUTION
<b>Water flow is slow or filling takes a long time</b>	Water inlet faucets are not fully turned on.	Make sure that the water faucets are fully turned on.
	Water fill hose is kinked.	Make sure the water hoses are not tangled, kinked, or pinched.
<b>Water temperature is too warm or cold</b>	Water heater temperature is not set correctly.	Hot water needs to be at a temperature of at least 120°F -140°F (49°C - 60°C).
	Water inlet hoses are not connected correctly.	Make sure the inlet hoses are properly connected (hot to hot and cold to cold).
<b>Water leaks</b>	Water hose connections are not tight.	Make sure the inlet hose connections at the faucets and washer are tight.
	Drain hose connection is not secure or the hose is not properly positioned in the drain.	Make sure the drain hose connection at the washer is secure and that the drain hose is properly positioned at the drain location.
	Undetermined water leaks	Call a qualified plumber.
<b>Water will not drain from washer</b>	Drain hose is not properly connected to the washer.	Reconnect drain hose to the washer.
	Drain hose is not positioned properly.	In order to drain properly, the top of drain outlet must be at least 39" (99 cm) above the floor.
	Sink or drainpipe is clogged.	Remove blockages from the sink or drainpipe.

## NOISE

PROBLEM	POSSIBLE CAUSE(S)	SOLUTION
Thumping Sound	Wash load may be unbalanced.	Pause the washer and redistribute items in the wash basket.
Rattling or Clanking	Foreign objects may be in the washer.	Stop the washer and check for keys or coins.
Squealing	Washer may be overloaded.	Stop the washer and remove part of the wash load.
Vibration	Washer may not be level.	Check that all 4 feet are resting firmly on the floor and that the washer is level.

## CLOTHING

PROBLEM	POSSIBLE CAUSE(S)	SOLUTION
<b>Wrinkling</b>	Improper wash load sorting, overloading or washing at the wrong temperature.	Avoid overloading and do not mix heavy clothing with light or delicate items.
<b>Detergent residue</b>	Detergent may not completely dissolve in extremely cold water.	Select a warm water wash temperature and make sure the hot water heater is providing hot water; at least 120°F (49°C).
<b>Clothing are gray or yellowed</b>	Wash load not separated by color.	Separate darks from lights and whites to avoid the transfer of dyes.
	Did not use enough detergent or the soil level of the wash load requires a warmer wash temperature.	Large and heavily soiled laundry may need more detergent and hotter wash water. Refer to detergent manufacturer's directions for recommended usage.
<b>Clothing is torn or snagged</b>	Wash load is not prepared for laundering.	Tie strings and sashes. Empty pockets, fasten belts, and close zippers, metal snaps or hook fasteners before loading.
<b>Bleach Stains</b> <b>NOTE:</b> Bleach stains may appear as color loss spots	Laundry has direct contact with bleach.	Do not pour or splash bleach directly on clothing. If you are using the dispenser and still notice stains, try using diluted bleach.
<b>Clothing appearing older and worn</b>	Using the wrong wash cycle or water temperature.	Follow clothing manufacturer's instructions for garment care.

**FOR MORE HELP, VISIT [HAIER.COM](http://haier.com) OR CALL THE CONSUMER HELP LINE AT 1-877-377-3639.**

## LIMITED WARRANTY

### IN-HOME SERVICE FULL ONE YEAR WARRANTY

For 12 months from the date of original retail purchase, Haier will repair or replace any part free of charge including labor that fails due to a defect in materials or workmanship.

Haier may replace or repair at their sole discretion any part, sub system including the entire product.

Product must be accessible, without encumbrance and installed properly to receive for warranty repair service.

### LIMITED WARRANTY

After one year from the original retail purchase date, Haier will provide a part at no cost, as indicated below, to replace said part as a result of a defect in materials or workmanship. Haier is solely responsible for the cost of the part. All other costs such as labor, trip charge, etc are the responsibility of the owner.

#### Second through Fifth Year

Haier will provide the outer washtub and related outer tub assembly parts should the part fail to hold water.

#### Second through Seventh Year

Haier will provide the inner stainless steel wash basket if defective in material or workmanship.

**NOTE:** This warranty commences on the date the item was purchased, and the original purchase receipt must be presented to the authorized service representative before warranty repairs are rendered.

**Exceptions:** Rental Use Warranty

**90 days labor from date of original purchase**

**90 days parts from date of original purchase**

**No other warranty applies.**

### FOR WARRANTY SERVICE

Contact your nearest authorized service center. All service must be performed by a Haier authorized service center. For the name and telephone number of the nearest authorized service center, please call 1-877-337-3639.

Before calling please have available the following information:

Model number and serial number of your appliance. The name and address of the dealer you purchased the unit from and the date of purchase.

A clear description of the problem.

A proof of purchase (sales receipt).

**This warranty covers home appliance services within the contiguous United States and Canada and where available in Alaska, Hawaii and Puerto Rico.**

**What is not covered by this warranty:**

Replacement or repair of household fuses, circuit breakers, wiring or plumbing.

A product whose original serial number has been removed or altered.

Any service charges not specifically identified as normal such as normal service area or hours.

Damage to clothing.

Damage incurred in shipping.

Damage caused by improper installation or maintenance.

Damage from misuse, abuse, accident, fire, flood, or acts of nature.

Damage from service other than an authorized Haier dealer or service center.

Damage from incorrect electrical current, voltage or supply.

Damage resulting from any product modification, alteration or adjustment not authorized by Haier.

Adjustment of consumer operated controls as identified in the owner's manual.

Hoses, knobs, lint trays and all attachments, accessories and disposable parts.

Labor, service transportation, and shipping charges for the removal and replacement of defective parts beyond the initial 12-month period.

Damage from other than normal household use.

Any transportation and shipping charges.

**THIS LIMITED WARRANTY IS GIVEN IN LIEU OF ALL OTHER WARRANTIES, EXPRESS OR IMPLIED, INCLUDING BUT NOT LIMITED TO, THE WARRANTIES OF MERCHANTABILITY AND FITNESS FOR A PARTICULAR PURPOSE**

The remedy provided in this warranty is exclusive and is granted in lieu of all other remedies.

This warranty does not cover incidental or consequential damages, so the above limitations may not apply to you. Some states do not allow limitations on how long an implied warranty lasts, so the above limitations may not apply to you.

This warranty gives you specific legal rights, and you may have other rights, which vary from state to state.

Haier America  
Wayne, NJ 07470

# TABLE DES MATIÈRES

<b>SÉCURITÉ DE LA LAVEUSE</b> .....	<b>31</b>
<b>PIÈCES ET CARACTÉRISTIQUES</b> .....	<b>34</b>
<b>EXIGENCES D'INSTALLATION</b> .....	<b>35</b>
Outils nécessaires .....	35
Pièces fournies.....	35
Critères d'emplacement .....	36
Critères du système de vidange .....	37
Spécifications électriques.....	38
Instructions de liaison à la terre .....	39
<b>INSTRUCTIONS D'INSTALLATION</b> .....	<b>40</b>
Étape 1 - Déballer la laveuse .....	40
Étape 2 - Acheminer le tuyau d'évacuation (facultatif).....	41
Étape 3 - Installation de la plaque inférieure .....	42
Étape 4 - Installation des roulettes (facultatif).....	43
Étape 5 - Nivellement de la laveuse.....	44
Étape 6 - Immobilisation du tuyau d'évacuation.....	45
Étape 7 - Raccordement du tuyau d'eau.....	46
Étape 8 - Achever l'installation .....	50
<b>TABLEAU DE COMMANDE ET FONCTIONS</b> .....	<b>51</b>
<b>UTILISER LA LAVEUSE</b> .....	<b>53</b>
Étape 1 – Préparation et tri du linge .....	53
Étape 2 – Ajout de produits de soin des tissus .....	54
Étape 3 – Chargement de la laveuse .....	55
Étape 4 – Mise en marche de la laveuse .....	55
<b>ENTRETIEN DE LA LAVEUSE</b> .....	<b>55</b>
Nettoyage et entretien.....	55
Précautions à prendre avant un départ .....	56
Préparation avant un déménagement ou un entreposage .....	56
Réinstallation/Réutilisation de la laveuse.....	57
<b>DÉPANNAGE</b> .....	<b>58</b>
<b>GARANTIE LIMITÉE</b> .....	<b>61</b>

## DOCUMENTS À CONSERVER

Merci d'avoir acheté ce produit Haier. Ce manuel d'utilisation vous aidera à obtenir la meilleure performance possible de votre nouvelle laveuse.

Pour référence ultérieure, inscrire le numéro de plaque signalétique situé au dos de la laveuse, ainsi que la date d'achat.

Pour faciliter l'obtention d'un service sous garantie, agraffer la preuve de la date d'achat à ce manuel.

\_\_\_\_\_  
Numéro de modèle

\_\_\_\_\_  
Numéro de série

\_\_\_\_\_  
Date d'achat



## SÉCURITÉ DE LA LAVEUSE

### **Votre sécurité et celle des autres est très importante.**

Nous donnons de nombreux messages de sécurité importants dans ce manuel et sur votre appareil ménager. Assurez-vous de toujours lire tous les messages de sécurité et de vous y conformer.



Voici le symbole d'alerte de sécurité.

Ce symbole d'alerte de sécurité vous signale les dangers potentiels de décès et de blessures graves à vous et à d'autres. Tous les messages de sécurité suivront le symbole d'alerte de sécurité et le mot "DANGER", "AVERTISSEMENT" ou "ATTENTION".

Ces mots signifient :

**⚠ DANGER**

Une situation de danger imminent. Vous courez le risque d'un décès ou de blessures graves si vous ne suivez pas immédiatement les instructions.

**⚠ AVERTISSEMENT**

Une situation potentiellement dangereuse qui, si vous ne l'évitez pas, peut provoquer la mort ou des blessures graves.

**⚠ ATTENTION**

Une situation potentiellement dangereuse qui, si vous ne l'évitez pas, peut entraîner des blessures légères à modérées.

Tous les messages de sécurité vous diront quel est le danger potentiel et comment réduire le risque de blessure et ce qui peut se produire en cas de non-respect des instructions.

# IMPORTANTES INSTRUCTIONS DE SÉCURITÉ

**AVERTISSEMENT :** Afin de réduire le risque d'incendie, de choc électrique ou de blessures lors de l'utilisation de la laveuse, il convient d'observer certaines précautions fondamentales, notamment :

- L'espace autour de l'appareil doit être libre de toute matière combustible comme de la charpie, du papier, des chiffons ou des produits chimiques.
  - Une surveillance attentive s'impose lorsque cet appareil ménager est utilisé par ou à proximité d'enfants. Ne pas laisser des enfants jouer avec l'appareil, ni jouer dessus ou à l'intérieur.
  - Ne pas placer dans l'eau de lavage des articles précédemment nettoyés, lavés, trempés ou tachés avec de l'essence, des solvants pour nettoyage à sec ou d'autres substances inflammables ou explosives. Ces substances dégagent des vapeurs qui pourraient s'enflammer ou exploser.
  - Ne pas ajouter d'essence, de solvants pour nettoyage à sec ou d'autres substances inflammables ou explosives à l'eau de lavage. Ces substances dégagent des vapeurs qui pourraient s'enflammer ou exploser.
  - Ne pas accéder à l'intérieur de l'appareil si le panier de lavage, la cuve ou l'agitateur est en mouvement.
  - Ne pas effectuer d'intervention non autorisée sur les commandes.
  - Afin de réduire le risque de choc électrique, débrancher cet appareil de l'alimentation électrique avant d'effectuer un dépannage ou un nettoyage.
- REMARQUE :** La mise hors tension ne déconnecte PAS l'appareil de l'alimentation électrique.
- Ne pas réparer ou remplacer une quelconque pièce de l'appareil ou effectuer une opération d'entretien qui ne soit pas expressément recommandé(e) dans ce manuel d'utilisation ou dans les instructions de réparation fournies et que vous compreniez et soyez capable d'exécuter ces instructions.
  - Retirer la porte ou le couvercle de la laveuse avant de la jeter ou de la rendre inutilisable.
  - Lire toutes les instructions avant d'utiliser cet appareil.
  - Utiliser cet appareil uniquement dans le but auquel il est destiné et tel que décrit dans le présent manuel d'utilisation.
  - Ne pas utiliser la laveuse pour le nettoyage de vêtements dans un cadre commercial.

# IMPORTANTES INSTRUCTIONS DE SÉCURITÉ

- Dans certaines conditions, un système d'eau chaude qui n'a pas été utilisé depuis 2 semaines ou plus peut produire de l'hydrogène. L'HYDROGÈNE EST UN GAZ EXPLOSIF. Si le système d'eau chaude est resté inutilisé pendant une telle période, ouvrir tous les robinets d'eau chaude et laisser l'eau s'y écouler pendant plusieurs minutes avant d'utiliser une laveuse. Ceci libérera toute accumulation d'hydrogène. Le gaz est inflammable : ne pas fumer ou utiliser une flamme nue durant cette période.
- Avant d'être utilisé, cet appareil doit être correctement installé et placé dans la pièce, conformément aux instructions d'installation.
- Ne pas entreposer ou installer cet appareil dans un endroit où il sera exposé aux intempéries ou à des températures inférieures au point de congélation; cela pourrait endommager l'appareil.
- L'appareil doit être correctement relié à la terre, conformément à tous les critères des codes et règlements locaux régissant les installations électriques. Voir la section "Spécifications électriques".

## LIRE ET CONSERVER CES INSTRUCTIONS

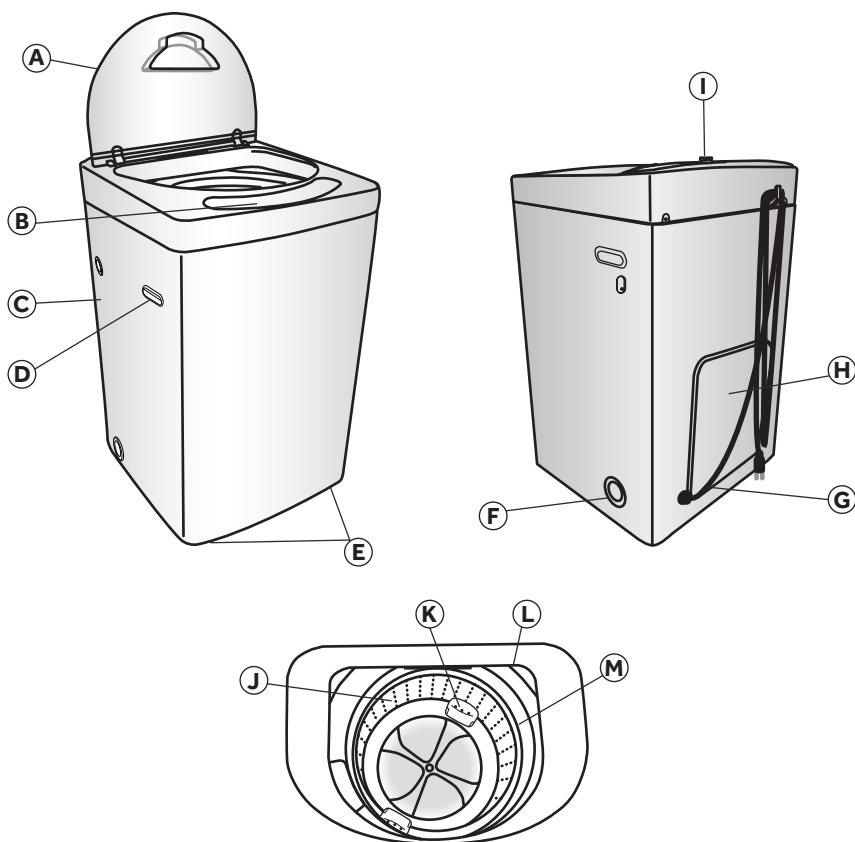
### **⚠ AVERTISSEMENT**

#### **Risque de suffoquer**

Avant de jeter votre ancien appareil, retirer la porte ou le couvercle de façon à ce que les enfants ne puissent pas se cacher ou être coincés dans l'ancien appareil.

Le non-respect de cette instruction peut causer un décès ou des lésions cérébrales.

## PIÈCES ET CARACTÉRISTIQUES



- (A) Couvercle supérieur
- (B) Tableau de commande
- (C) Caisse
- (D) Poignée de la caisse
- (E) Pieds de nivellement
- (F) Orifice de vidange
- (G) Cordon d'alimentation électrique (120 V/60 Hz)
- (H) Panneau d'accès
- (I) Tuyau d'arrivée
- (J) Panier de lavage
- (K) Jet principal
- (L) Cerclage de cuve externe
- (M) Anneau d'équilibrage

# EXIGENCES D'INSTALLATION

## OUTILS NÉCESSAIRES

- Pince
- Clé
- Tournevis Phillips
- Mètre ruban
- Niveau

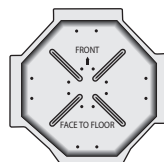
## PIÈCES FOURNIES



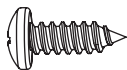
- Crochet de tuyau d'évacuation



- Tuyau d'admission d'eau (rondelles plates préinstallées)



- Panneau inférieur



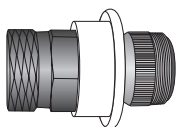
- Vis du panneau inférieur (6)



- Roulettes (4)



- Clé à roulettes



- Adaptateur d'évier à raccord rapide



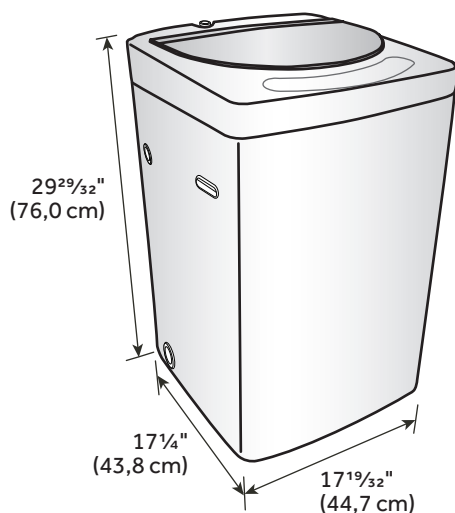
- Attache de câble
- Manuel d'utilisation

## CRITÈRES D'EMPLACEMENT

- La laveuse doit être installée sur un plancher résistant pour réduire les vibrations durant le programme d'essorage. Un plancher en béton est idéal.
- Le plancher doit être de niveau avec une pente maximale de 1" (25 mm) sous l'ensemble de la laveuse.
- L'appareil doit être placé dans un emplacement protégé de la lumière directe du soleil et de sources de chaleur comme des radiateurs, des plinthes électriques ou des appareils de cuisson.
- Ne pas installer sur de la moquette.
- L'emplacement d'installation doit comporter une prise électrique reliée à la terre et située à 4 pi (1,2 m) maximum du cordon d'alimentation à l'arrière de la laveuse.
- Le robinet d'eau chaude et d'eau froide doit se situer à 3 pi (0,9 m) maximum des raccordements d'eau chaude et d'eau froide de la laveuse.
- Raccorder uniquement à un robinet d'eau froide.
- La pression de l'eau doit être comprise entre 20 à 100 lb/po<sup>2</sup> (138 et 690 kPa).

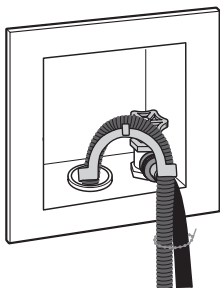
**IMPORTANT :** Ne pas installer ou faire fonctionner la laveuse dans un endroit où elle sera exposée à des températures inférieures à 32°F (0°C). De l'eau restée dans la laveuse gèlera et endommagera la laveuse.

## DIMENSIONS DE LA LAVEUSE



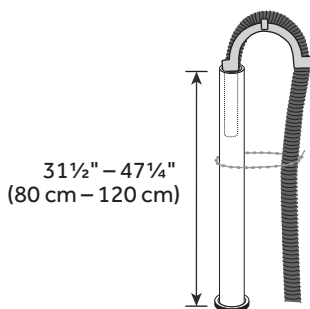
# CRITÈRES DU SYSTÈME DE VIDANGE

## AU MUR



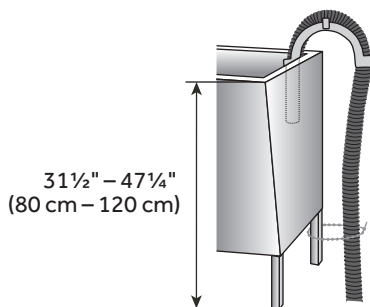
## TUYAU RIGIDE DE REJET À L'ÉGOUT AU PLANCHER

La hauteur du tuyau rigide de rejet à l'égout doit être comprise entre 31 1/2" (80 cm) et 47 1/4" (120 cm) à partir du bas de la laveuse. Le diamètre du tuyau rigide de rejet à l'égout doit être de 2" (5 cm) minimum.



## ÉVIER DE BUANDERIE

L'évier de buanderie doit avoir une capacité minimale de 20 gal (76 L). La hauteur de l'évier de buanderie doit être de 31 1/2" (80 cm) minimum et de 47 1/4" (120 cm) maximum.



## SPÉCIFICATIONS ÉLECTRIQUES

### ⚠ AVERTISSEMENT



#### Risque de choc électrique

La laveuse doit être branchée à une prise secteur correctement mise à la terre de 120 volts, 60 Hz, CA uniquement, protégée par fusible de 15 ou 20 ampères. Il est recommandé d'utiliser un disjoncteur ou un fusible temporisé.

Le non-respect de ces instructions peut causer un décès, un incendie ou un choc électrique.

- Si l'alimentation électrique fournie ne répond pas aux critères ci-dessus, contacter un électricien agréé.

### ⚠ AVERTISSEMENT



#### Risque de choc électrique

Brancher sur une prise à 3 alvéoles reliée à la terre.

Ne pas enlever la broche de liaison à la terre du cordon d'alimentation.

Ne pas utiliser un adaptateur.

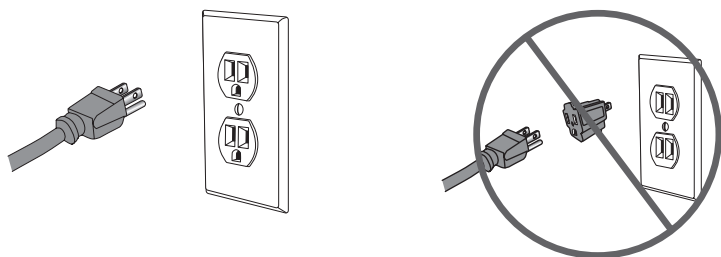
Ne pas utiliser un câble de rallonge.

Le non-respect de cette instruction pourrait causer un décès, un incendie ou un choc électrique.

- Une alimentation de 120 volts, 60 Hz, CA seulement, protégée par fusible de 15 ou 20 A est requise. Il est recommandé d'utiliser un fusible ou disjoncteur temporisé. Il est recommandé de raccorder l'appareil sur un circuit distinct exclusif à cet appareil.
- Cette laveuse comporte un cordon d'alimentation électrique terminé par une prise à 3 broches avec fiche de terre.



- Pour minimiser les risques de choc électrique, on doit brancher le cordon à une prise électrique de configuration correspondante à 3 alvéoles, reliée à la terre et installée conformément aux codes et règlements locaux. En l'absence de prise de courant correspondante disponible, le client a la responsabilité et l'obligation de faire installer par un électricien qualifié une prise électrique correctement reliée à la terre.



- Si les codes le permettent et si l'on utilise un conducteur distinct de liaison à la terre, il est recommandé de faire vérifier la qualité de la liaison à la terre par un électricien qualifié.
- Ne pas établir la liaison à la terre sur une conduite de gaz.
- En cas de doute quant à la qualité de la liaison à la terre de la laveuse, consulter un électricien qualifié.
- Ne pas installer de fusible dans le circuit de neutre ou de terre.

## INSTRUCTIONS DE LIAISON À LA TERRE

### **Pour une laveuse reliée à la terre et connectée par un cordon :**

La laveuse doit être reliée à la terre. En cas de dysfonctionnement ou de panne, la liaison à la terre réduit le risque de choc électrique en offrant au courant électrique un chemin de fuite de moindre résistance. La laveuse est dotée d'un cordon électrique comportant un conducteur de mise à la terre de l'appareil et une prise avec liaison à la terre. La prise doit être branchée à un réceptacle approprié, correctement installé et relié à la terre conformément à tous les codes et règlements locaux.

**AVERTISSEMENT :** Un raccordement inapproprié du conducteur de mise à la terre de l'appareil peut causer un risque de choc électrique.

Vérifier auprès d'un électricien ou technicien qualifié en cas de doute quant à la qualité de la liaison à la terre de la laveuse.

Ne pas modifier la prise fournie avec la laveuse; si elle ne correspond pas au réceptacle, faire installer un réceptacle approprié par un électricien qualifié.

### **Pour une laveuse raccordée en permanence :**

Cette laveuse doit être raccordée à un circuit métallique permanent relié à la terre, ou bien un conducteur de mise à la terre de l'appareil doit être déroulé le long des conducteurs du circuit et raccordé à la borne ou au conducteur de mise à la terre de la laveuse.

## INSTRUCTIONS D'INSTALLATION

Nous recommandons que l'installation de votre nouvelle laveuse soit réalisée par un technicien d'appareils électroménagers agréé. Si vous pensez être capable d'installer la laveuse, lire attentivement les instructions d'installation avant de procéder à l'installation.

### IMPORTANT :

- Si vous n'êtes pas certain que la laveuse est correctement installée après avoir effectué ces étapes, contacter un technicien d'appareils électroménagers qualifié.
- Si la laveuse vient juste de vous être livrée et que la température extérieure est inférieure au point de congélation, ne pas faire fonctionner la laveuse avant qu'elle n'ait atteint la température ambiante.

## ÉTAPE 1 - DÉBALLER LA LAVEUSE

### ⚠ AVERTISSEMENT



#### Risque de suffoquer

Afin d'éviter tout risque d'étouffement, conserver le sac en plastique et autres matériaux d'emballage hors de portée des bébés et des enfants. Ne pas utiliser ce sac dans des berceaux, poussettes ou parcs pour enfants. Le sac en plastique peut bloquer les orifices du nez et de la bouche et empêcher la respiration. Ce sac n'est pas un jouet.

Le non-respect de cette instruction peut causer un décès ou des lésions cérébrales.

### ⚠ AVERTISSEMENT

#### Risque du poids excessif

Utiliser deux ou plus de personnes pour déplacer et installer la laveuse.

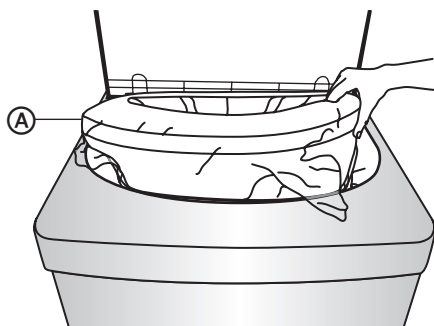
Le non-respect de cette instruction peut causer un décès ou une blessure corporelle.

1. Enlever tous les matériaux d'emballage. Cela comprend : la base en polystyrène, le support en plastique moulé et tous les adhésifs qui maintiennent les accessoires pour laveuse en place, à l'intérieur comme à l'extérieur.

**IMPORTANT :** Ne pas retirer la base de l'emballage peut nuire au bon fonctionnement de la laveuse et annulera la garantie.

- Ouvrir le couvercle supérieur pour retirer la pièce de fixation du panier de lavage. Tirer sur la pièce de fixation pour la retirer.

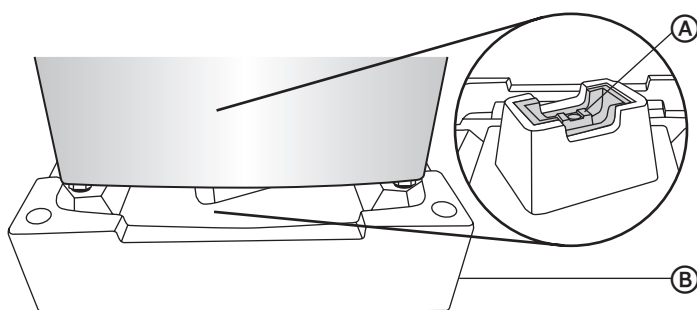
**REMARQUE :** Conserver la pièce de fixation du panier de lavage pour pouvoir la réutiliser en cas de déplacement ultérieur de la laveuse.



(A) Pièce de fixation du panier de lavage

- À l'aide de deux personnes ou plus, soulever la laveuse pour la dégager de la base de l'emballage et du support en plastique moulé.

**REMARQUE :** Il est possible que le support en plastique, situé sous le support en U, reste attaché au bas de la laveuse. S'assurer de le retirer avec la base en polystyrène.



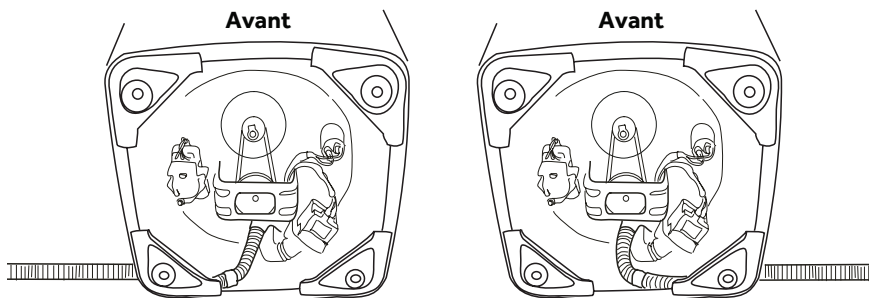
(A) Support en plastique  
(B) Base en polystyrène

2. Inspecter la laveuse et retirer tout film protecteur, ruban adhésif ou emballage restant sur l'appareil avant de l'utiliser.
3. Jeter/recycler tous les matériaux d'emballage de manière appropriée.

## ÉTAPE 2 - ACHEMINER LE TUYAU D'ÉVACUATION (FACULTATIF)

La laveuse a été configurée à l'usine de manière à ce que le tuyau d'évacuation sorte du côté inférieur gauche de la laveuse. Si vous souhaitez que le tuyau d'évacuation sorte du côté droit de la laveuse, vous devez réacheminer le tuyau.

1. Retirer la bride de serrage de tuyau. Tirer doucement le tuyau d'évacuation à travers l'ouverture sur le côté gauche de la laveuse.
2. Introduire le tuyau d'évacuation à travers l'ouverture du côté droit de la laveuse et tirer doucement sur le tuyau pour l'étendre sur toute sa longueur.



## ÉTAPE 3 - INSTALLATION DE LA PLAQUE INFÉRIEURE

### ⚠ AVERTISSEMENT



#### Risque de choc électrique

Installer le couvercle inférieur.

Verrouiller les quatre roulettes avant de mettre la laveuse en marche.

Le non-respect de cette instruction peut causer un décès, un choc électrique ou des blessures graves.

### ⚠ AVERTISSEMENT



#### Risque de choc électrique

Déconnecter la source de courant électrique avant l'entretien.

Replacer tous les panneaux avant de faire la remise en marche.

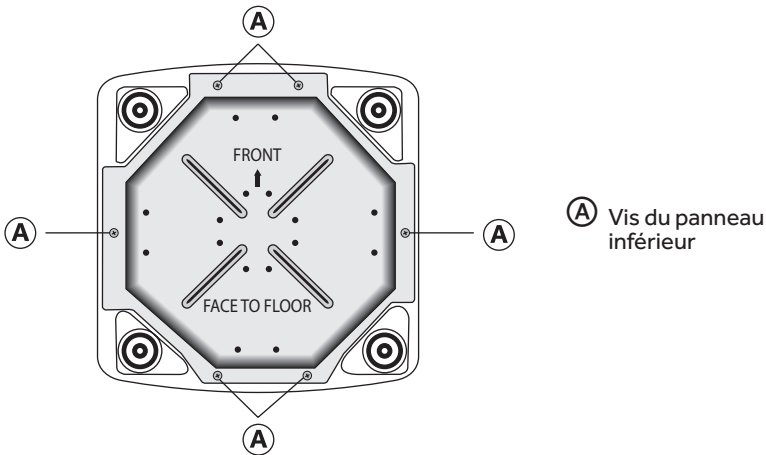
Le non-respect de ces instructions peut causer un décès ou un choc électrique.

1. Placer le panneau inférieur contre le bas de la laveuse, le côté portant l'indication "face to floor" (face au plancher) face à vous et l'extrémité portant l'indication "front" (avant) aligné avec l'avant de la laveuse.

- Aligner les trous de la plaque inférieure avec les trous situés sur le bas de la laveuse.

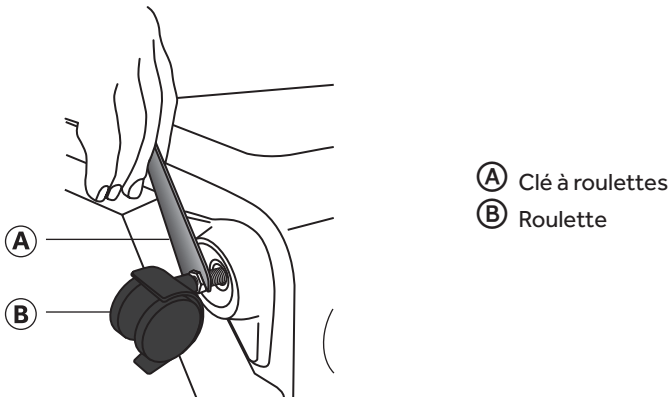
**IMPORTANT :** Pour éviter d'endommager la laveuse, s'assurer que la plaque inférieure est correctement positionnée avant de fixer la plaque à la laveuse.

- À l'aide d'un tournevis Phillips et des 6 vis de la plaque inférieure (fournies), insérer chaque vis dans la plaque inférieure et sur le bas de la laveuse. Serrer complètement les vis.



## ÉTAPE 4 - INSTALLATION DES ROULETTES (FACULTATIF)

- Dévisser et retirer les 4 pieds de nivellement fixes.
- Visser chacune des 4 roulettes dans les trous dans le socle de la laveuse. À l'aide d'une clé à douille, serrer l'écrou de verrouillage au bas de la laveuse.



- Appuyer sur la patte de chaque roulette en position basse pour verrouiller la roulette.

## ÉTAPE 5 – NIVELLEMENT DE LA LAVEUSE

**IMPORTANT :** Un bon aplomb de la laveuse permet de réduire les vibrations et bruits éventuels.

1. À l'aide de deux personnes au minimum, redresser la laveuse en position verticale.

**REMARQUE :** Si des roulettes ont été installées, les déverrouiller en soulevant la patte.

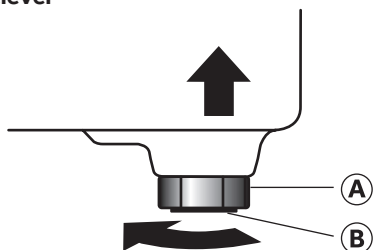
2. Placer la laveuse à son emplacement final. Vérifier que les canalisations d'eau et de vidange de la laveuse ne sont pas tendues ou écrasées. Vérifier que les quatre pieds sont en contact ferme avec le plancher et que la laveuse repose solidement dessus.
3. Avec un niveau, vérifier que la laveuse est d'aplomb transversalement et d'avant en arrière.
4. Si la laveuse n'est pas d'aplomb, ajuster les pieds de nivellement ou les roulettes. Tourner les pieds ou les roulettes dans le sens horaire pour les déployer (et relever la laveuse) ou antihoraire pour les rétracter (et abaisser la laveuse).

**REMARQUE :** Si la laveuse est inclinée à un angle supérieur à 2°, elle ne fonctionnera pas.

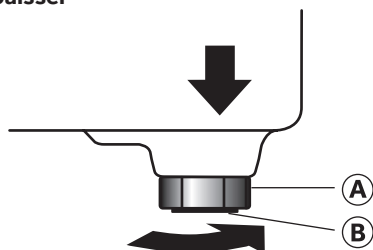
### PIEDS DE NIVELLEMENT FIXES

1. Desserrer la grande bague externe réglable, puis tourner le pied central dans le sens horaire ou antihoraire pour régler la hauteur.

**Relever**



**Abaisser**



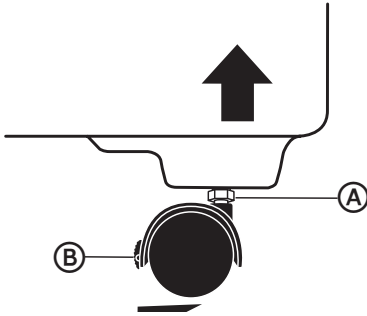
- (A) Bague externe
- (B) Pied central

2. Une fois que la laveuse est d'aplomb, verrouiller la position de chaque pied de nivellement en serrant la grande bague externe.

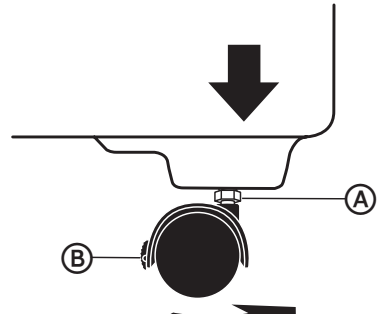
## ROULETTES

1. À l'aide de la clé à roulettes, tourner l'écrou de verrouillage de la roulette dans le sens horaire ou antihoraire pour régler la hauteur.

Relever



Abaisser



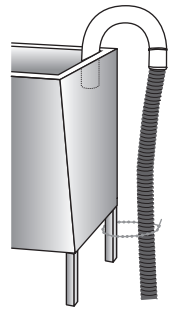
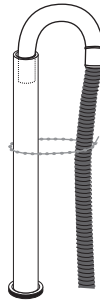
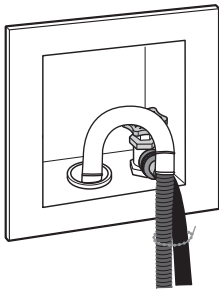
(A) Écrou de blocage

(B) Levier de la roulette

2. Après nivellement, verrouiller chaque roulette en appuyant sur le levier de la roulette avant d'utiliser la machine à laver.
  - Pour verrouiller - appuyez sur levier de la roulette.
  - Pour déverrouiller - soulevez le levier de la roulette.

## ÉTAPE 6 – IMMOBILISATION DU TUYAU D'ÉVACUATION

1. Placer l'extrémité du crochet du tuyau d'évacuation dans un conduit d'évacuation ou un évier de buanderie.



2. Fixer le tuyau d'évacuation à un tuyau d'eau, au tuyau rigide de rejet à l'égout ou à l'un des pieds de l'évier de buanderie pour le maintenir en place. Voir "Critères du système de vidange" pour plus de détails.

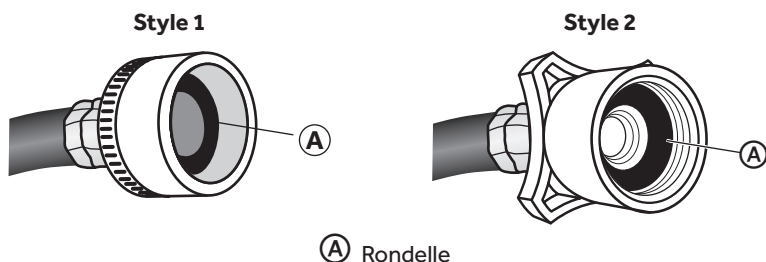
## ÉTAPE 7 - RACCORDEMENT DU TUYAU D'EAU

Selon le modèle, les tuyaux flexibles d'arrivée d'eau sont de **Style 1** ou de **Style 2**. Suivre les instructions correspondant au style des tuyaux flexibles fournis.

**IMPORTANT :** Utiliser uniquement un tuyau neuf pour installer la laveuse. Les tuyaux flexibles d'arrivée d'eau doivent posséder des raccords filetés à gros pas à une extrémité (pour raccorder l'arrivée d'eau du domicile), et des raccords filetés à pas fin à l'autre extrémité (pour raccorder la laveuse).

**REMARQUE :** Inspecter de temps à autre le tuyau à la recherche de fissures, de parties sectionnées, de fuites ou de traces d'usure. Remplacer le tuyau par un tuyau neuf tous les 5 ans.

1. Vérifier qu'une nouvelle rondelle plate est bien installée dans chaque extrémité du tuyau d'arrivée d'eau. Des rondelles plates ont été préinstallées à l'usine.



2. Enfiler à la main l'extrémité blanche du robinet d'arrivée d'eau sur la valve d'arrivée d'eau à l'arrière de la laveuse jusqu'à ce qu'elles soient serrées.

### **IMPORTANT :**

- Ne pas raccorder l'extrémité grise du tuyau flexible d'arrivée à la laveuse, sans quoi des fuites apparaîtront du fait du filetage endommagé.
- Pour éviter d'endommager le raccord de tuyau, ne pas serrer excessivement.

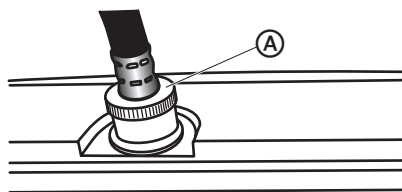
**Style 1** - Serrer le raccord de deux tiers de tour supplémentaires avec une pince.

**Style 2** - Ne pas serrer le raccord avec une pince.

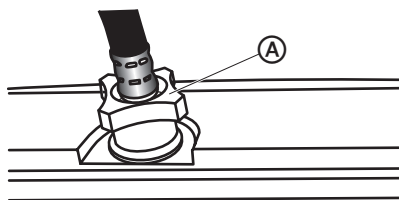
**REMARQUE :** Afin d'éviter d'endommager les valves d'arrivée d'eau de la laveuse, ne pas utiliser de ruban adhésif pour tuyauteries ou de produits d'étanchéité sur le filetage des valves.



Style 1



Style 2



(A) Extrémité blanche uniquement

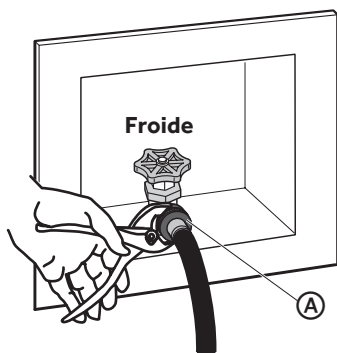
## OPTION 1 - INSTALLATION FIXE

**REMARQUE :** Pour que cette laveuse soit conforme aux normes en matière d'efficacité énergétique, le robinet d'arrivée d'eau doit être réglé sur eau froide.

1. Enfiler l'extrémité grise du tuyau d'arrivée d'eau sur le robinet d'arrivée d'eau à la main jusqu'à ce qu'ils soient serrés. Serrer ensuite les raccords en effectuant deux tiers de tour supplémentaires à l'aide d'une pince.

**IMPORTANT :** Pour éviter d'endommager le raccord de tuyau, ne pas serrer excessivement.

**REMARQUE :** Afin d'éviter d'endommager le robinet, ne pas utiliser de ruban adhésif pour tuyauteries ou de produits d'étanchéité sur le filetage des valves.



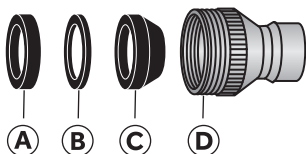
(A) Extrémité grise uniquement

2. Ouvrir le robinet d'eau et vérifier s'il y a des fuites. En cas de fuite, vérifier s'il y a des connexions défectueuses et resserrer.

## OPTION 2 - INSTALLATION PORTATIVE

**REMARQUE :** Pour que cette laveuse soit conforme aux normes en matière d'efficacité énergétique, le robinet d'arrivée d'eau doit être réglé sur eau froide.

1. Retirer l'aérateur de l'orifice du robinet.
2. Examiner le robinet pour déterminer si son filetage est interne ou externe.
  - Filetage interne - Maintenir la rondelle (A) de caoutchouc en place
  - Filetage externe - Retirer la rondelle (A) de caoutchouc avant d'enfiler le connecteur de robinet sur le robinet.

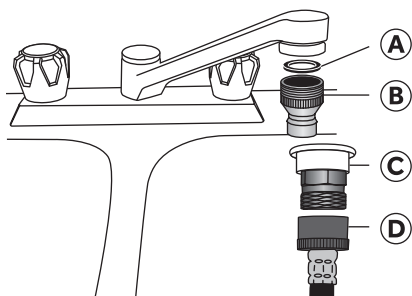


- (A) Rondelle amovible
- (B) Rondelle secondaire (ne pas retirer)
- (C) Support de la rondelle (ne pas retirer)
- (D) Connecteur de robinet argenté

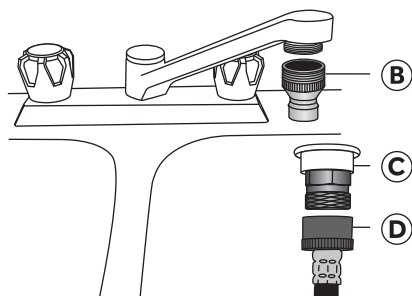
**REMARQUE :** Le connecteur de robinet (fourni) est fileté pour convenir à LA PLUPART des robinets. Si le connecteur de robinet fourni ne correspond pas à votre robinet, vous devrez acheter un connecteur de robinet de la taille correcte.

3. Enfiler le connecteur de robinet argenté sur le robinet.

### Filetage interne



### Filetage externe



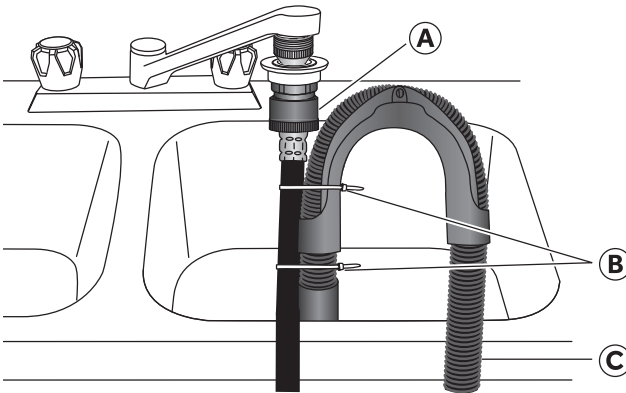
- (A) Rondelle en caoutchouc
- (B) Connecteur de robinet argenté
- (C) Adaptateur d'évier à raccord rapide
- (D) Tuyau d'arrivée d'eau - Extrémité grise uniquement

4. Fixer l'adaptateur d'évier à raccord rapide sur l'extrémité grise du tuyau d'arrivée d'eau en vous assurant que la rondelle plate préinstallée se trouve entre le tuyau et l'adaptateur.
5. Fixer l'adaptateur d'évier à raccord rapide sur l'adaptateur de robinet argenté en tirant la bague blanche vers le bas tout en poussant sur le robinet vers le haut. Relâcher la bague blanche pour verrouiller en place.

6. Ouvrir le robinet d'eau et vérifier s'il y a des fuites. En cas de fuites :

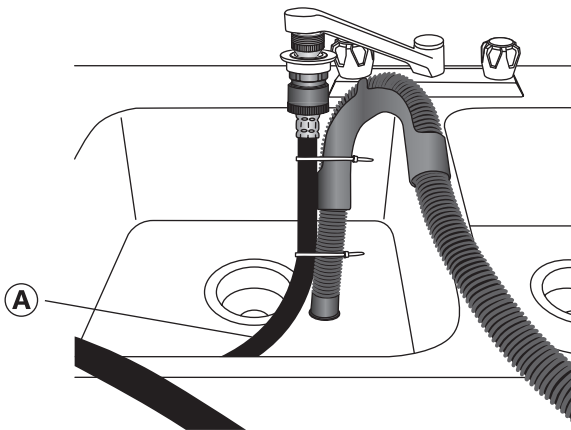
- Vérifier l'absence de jeu dans les raccords et les resserrer le cas échéant.
- Vérifier que l'extrémité grise du tuyau flexible est connectée à l'adaptateur d'évier à raccord rapide et son extrémité blanche à la laveuse.

7. À l'aide de 2 attache-câble, attacher le tuyau d'arrivée d'eau au tuyau de vidange de manière à ce que les tuyaux restent en place.



- Ⓐ Tuyau d'arrivée d'eau
- Ⓑ Attache-câble
- Ⓒ Tuyau de vidange

**IMPORTANT :** Placer la longueur de tuyau supplémentaire (avec du jeu) à l'intérieur de l'évier pour éviter les tensions et les dommages possibles au robinet d'eau.



- Ⓐ Tuyau d'arrivée d'eau

## ÉTAPE 8 – ACHEVER L'INSTALLATION

# ⚠ AVERTISSEMENT



### Risque de choc électrique

Brancher sur une prise à 3 alvéoles reliée à la terre.

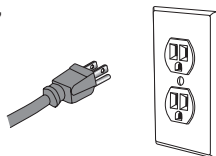
Ne pas enlever la broche de liaison à la terre du cordon d'alimentation.

Ne pas utiliser un adaptateur.

Ne pas utiliser un câble de rallonge.

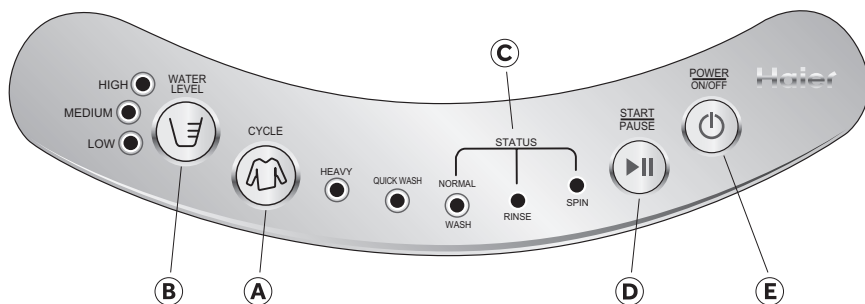
Le non-respect de cette instruction pourrait causer un décès, un incendie ou un choc électrique.

1. Brancher la laveuse dans une prise de courant à 3 alvéoles, reliée à la terre.
2. Vérifier que le robinet d'arrivée d'eau est ouvert.
3. Jeter/recycler tous les matériaux d'emballage.
4. Vérifier les leviers des roulettes, si elles sont installées, sont verrouillés. Voir "Nivellement de la laveuse."
5. Effectuer un programme de lavage normal avec un détergent pour tester et nettoyer la laveuse. Voir la section "Instructions d'utilisation".



# TABLEAU DE COMMANDE ET FONCTIONS

## TABLEAU DE COMMANDE



### A BOUTON WASH CYCLE (PROGRAMME DE LAVAGE)

- Utiliser ce bouton pour sélectionner le programme désiré pour votre charge de lavage.
- Les réglages par défaut correspondant à chaque programme s'affichent; les réglages par défaut peuvent être modifiés en utilisant le bouton de réglage Water Level (niveau d'eau).
- L'utilisateur peut choisir parmi 3 programmes :

**Heavy (intense)** - Utiliser ce programme pour les vêtements résistants très sales. On peut également utiliser ce programme pour les serviettes, les équipements de sport, les vêtements d'enfants, etc.

**Normal** - Utiliser ce programme pour les articles en coton et les charges de tissus mixtes présentant un degré de saleté normal.

**Quick Wash (lavage rapide)** - Utiliser ce programme pour laver les petites charges composées d'articles légèrement sales dont on a besoin rapidement.

### B BOUTON DE RÉGLAGE

#### Bouton Water Level (niveau d'eau)

- Utiliser ce bouton pour choisir le niveau d'eau adapté à la charge. Small (bas) est le niveau d'eau le plus faible et Super est le plus élevé.

### C INDICATEURS DE PROGRESSION DU PROGRAMME

- Lors de la mise en marche initiale de la laveuse, les témoins lumineux de progression du programme indiquent les différentes étapes en cours d'exécution du programme sélectionné.
- À chaque étape franchie, le témoin lumineux correspondant à cette étape s'éteint, indiquant que l'étape suivante est en cours d'exécution.
- Le programme de nettoyage est complètement terminé lorsque tous les témoins sont éteints.

## D BOUTON START/PAUSE (MISE EN MARCHÉ/PAUSE)

- Appuyer sur ce bouton pour démarrer un programme sélectionné ou suspendre un programme en cours.

**REMARQUE :** Une fois un programme de lavage lancé, le programme en cours doit être suspendu si l'on souhaite modifier le réglage Water Level (niveau d'eau).

## E BOUTON POWER (MISE SOUS TENSION)

**IMPORTANT :** Éteindre l'appareil en utilisant le bouton Power (mise sous tension) ne déconnecte pas l'appareil de l'alimentation électrique.

- Appuyer sur ce bouton pour mettre sous tension la laveuse.

**REMARQUE :** Si la laveuse est sous tension et que l'on n'appuie pas sur le bouton START/PAUSE (mise en marche/pause), elle s'éteint automatiquement au bout de 5 minutes.

## GUIDE DES PROGRAMMES

**REMARQUE :** Pour protéger la charge de lavage, tous les options et réglages ne sont pas disponibles pour tous les programmes. Les cases grisées indiquent les réglages par défaut correspondant à chaque programme.

\*Le niveau d'eau du programme Heavy Duty (service intense) est réglé par défaut sur "High" et ne peut être modifié.

PROGRAMME	APPUYER SUR LE BOUTON DU CYCLE DE LAVAGE	TYPE DE TISSU	PROCESSUS DE LAVAGE	DURÉE ESTIMÉE	NIVEAU D'EAU
Normal	0	Articles en coton, linge de maison et charges mixtes	13-16 de lavage Rinçage Essorage	:35	Medium (moyen)
					High (élevé)
					Low (faible)
Heavy Duty (service intense)*	1	Tissus résistants grand teint très sales	26-27 de lavage Rinçage Essorage	:68	High (élevé)
Quick (rapide)	2	Articles en coton, linge de maison et charges mixtes	5-6 de lavage Rinçage Essorage	:21	Medium (moyen)
					High (élevé)
					Low (faible)
Wash Only (lavage seulement)	3	Tous	Lavage		Medium (moyen)
					High (élevé)
					Low (faible)

PROGRAMME	APPUYER SUR LE BOUTON DU CYCLE DE LAVAGE	TYPE DE TISSU	PROCESSUS DE LAVAGE	DURÉE ESTIMÉE	NIVEAU D'EAU
<b>Wash &amp; Rinse (lavage et rinçage)</b>	4	Tous	Lavage Rinçage		Medium (moyen)
					High (élevé) Low (faible)
<b>Rinse &amp; Spin (rinçage et essorage)</b>	5	Vêtements propres	Rinçage Essorage	:29	Medium (moyen)
					High (élevé) Low (faible)
<b>Spin Only (essorage seulement)</b>	6	Vêtements propres encore mouillés	Essorage	:06	s.o.

- La durée estimée est basée sur une charge de linge de taille moyenne. Le temps réel variera en fonction de la quantité de vêtements à laver et d'autres variables comme la pression en eau de la canalisation d'alimentation.

## UTILISER LA LAVEUSE

### ÉTAPE 1 – PRÉPARATION ET TRI DU LINGE

#### PRÉPARATION DU LINGE

- Consulter les étiquettes du fabricant sur les vêtements pour les instructions de lavage.
- Vider les poches et les retourner.
- Retirer tout objet pouvant culbuter (épingles, pinces à cheveux, pièces de monnaie, bagues, boucles d'oreilles, mouchoirs en papier, etc.) des vêtements pour éviter d'érafler le panier de lavage ou d'obstruer la pompe de vidange.
- Déplier les revers et enlever la charpie ou la poussière.
- Attacher les ceintures et les cordons pour qu'ils ne s'emmêlent pas.
- Fermer les fermetures à glissière, les boutons pression et les crochets afin qu'ils ne s'accrochent pas à d'autres articles.
- Prétraiter toutes les taches et zones très sales.
- Retourner les tricotés synthétiques et les lainages pour éviter le boulochage.

#### TRI DU LINGE

- Trier le linge en fonction du type de programme de lavage nécessaire.
- Séparer les couleurs foncées des couleurs claires et les articles grand teint des articles qui déteignent.
- Séparer les tissus lourds et les tissus légers.
- Séparer les tissus qui retiennent la charpie de ceux qui la forment.
- Séparer les articles volumineux tels que les couvertures ou les oreillers.

## ÉTAPE 2 – AJOUT DE PRODUITS DE SOIN DES TISSUS

### AJOUT DE DÉTERGENT

- Vous pouvez utiliser aussi bien du détergent liquide que du détergent en poudre dans cette laveuse. Suivre les recommandations du fabricant de détergent inscrites sur l'emballage pour déterminer la quantité de détergent à utiliser. Il est conseillé d'utiliser des détergents liquides conçus pour le lavage à l'eau froide.

**REMARQUE :** La quantité de détergent nécessaire dépend du volume de la charge, du niveau de saleté des vêtements et de la dureté de l'eau qui alimente la laveuse.

- Si on choisit le programme Quick Wash (lavage rapide), il est recommandé d'utiliser un détergent de lessive liquide pour obtenir des résultats optimaux. Un détergent en poudre peut ne pas se dissoudre assez rapidement pour bien nettoyer avec ce programme.

#### Détergent liquide

**REMARQUE :** Pour de meilleurs résultats, laisser le détergent liquide se mélanger à l'eau avant de placer la charge de linge.

1. Lancer un programme de lavage et attendre qu'une petite quantité d'eau soit déversée dans le panier de lavage avant d'ajouter le détergent liquide.
2. Verser la quantité mesurée de détergent liquide directement dans le panier de lavage.

#### Détergent en poudre

**REMARQUE :** Pour de meilleurs résultats, ajouter le détergent dans le panier de lavage avant d'ajouter le linge.

1. Lancer un programme de lavage et attendre qu'une petite quantité d'eau soit déversée dans le panier de lavage.

OU

Dans un récipient à part, dissoudre du détergent en poudre dans de l'eau tiède et verser la solution directement dans le panier de lavage.

**REMARQUE :** Ne pas verser le détergent dans le panier de lavage sans l'avoir au préalable dissout dans l'eau. Du détergent en poudre non dissout pourrait endommager les vêtements.

### AJOUT D'AGENT DE BLANCHIMENT (SI DÉSIRÉ)

**REMARQUE :** L'agent de blanchiment doit être ajouté dans le panier de lavage au même moment où l'on ajoute le détergent.

- Verser l'agent de blanchiment chloré liquide dans l'eau du panier de lavage avant d'ajouter le linge.

**IMPORTANT :** Veiller à ne pas renverser d'agent de blanchiment non dilué sur la caisse de la laveuse ou sur les vêtements. Un agent de blanchiment est un produit chimique puissant qui peut endommager les vêtements ou le revêtement de la laveuse.

- Suivre les directives du fabricant sur les étiquettes de soin du tissu concernant les modalités d'utilisation recommandées pour un agent de blanchiment liquide ou en poudre.



## ÉTAPE 3 – CHARGEMENT DE LA LAVEUSE

1. Ouvrir le couvercle de la laveuse. Les vêtements doivent être chargés en vrac d'une manière uniforme dans le panier de lavage pour former une charge équilibrée.
2. Rabattre le couvercle de la laveuse.

### REMARQUES :

- Ne pas surcharger les articles ni les tasser dans le panier de lavage. La surcharge peut réduire l'efficacité du lavage, causer une usure excessive et dans certains cas, entraîner la formation de plis ou le froissement de la charge.
- La laveuse n'effectue ni agitation, ni essorage lorsque le couvercle est ouvert.

## ÉTAPE 4 – MISE EN MARCHÉ DE LA LAVEUSE

1. Appuyer sur le bouton POWER (mise sous tension) pour mettre la laveuse en marche.
2. Sélectionner un programme de lavage.
3. Si désiré, modifier les réglages par défaut et options.
4. Appuyer sur le bouton START/PAUSE (mise en marche/pause) pour démarrer le programme de lavage.

## ENTRETIEN DE LA LAVEUSE

### ⚠ AVERTISSEMENT



#### Risque de choc électrique

Déconnecter la source de courant électrique avant le nettoyage.

Le non-respect de cette instruction peut causer un décès ou un choc électrique.

## NETTOYAGE ET ENTRETIEN

- Débrancher ou déconnecter la source de courant électrique.
- Utiliser uniquement un chiffon mouillé ou trempé d'eau savonneuse pour nettoyer le tableau de commande.
- Si l'on renverse de l'assouplissant pour tissu, de l'agent de blanchiment ou du détergent liquide/en poudre sur la caisse, essuyer immédiatement la caisse pour éviter d'endommager le revêtement.

- Ne pas utiliser de nettoyeurs abrasifs, de produits chimiques puissants, d'ammoniaque, d'agent de blanchiment au chlore, de détergent concentré ou de solvants pour nettoyer la laveuse. Ces produits chimiques peuvent dissoudre, endommager ou décolorer la laveuse.
- Après avoir lavé des vêtements, laisser le couvercle ouvert pour que l'humidité à l'intérieur de la machine puisse s'évaporer et pour empêcher l'apparition de moisissure.

## PRÉCAUTIONS À PRENDRE AVANT UN DÉPART

- Débrancher ou déconnecter la source de courant électrique.
- Fermer le robinet d'arrivée d'eau. Ceci permettra d'éviter d'endommager votre domicile en cas de rupture ou de fuite des tuyaux.
- Sécher le panier de lavage.
- Laisser le couvercle ouvert pour que l'humidité à l'intérieur de la machine puisse s'évaporer et pour empêcher l'apparition de moisissure.

## PRÉPARATION AVANT UN DÉMÉNAGEMENT OU UN ENTREPOSAGE

Effectuer les étapes suivantes en complément des "Précautions à prendre avant un départ".

- Débrancher ou déconnecter la source de courant électrique.
- Déconnecter le tuyau d'arrivée d'eau et le tuyau de vidange et les placer dans le panier de lavage.
- Tourner les pieds de nivellement de façon à ce qu'ils soient complètement rétractés dans la caisse de la laveuse.
- Si l'on doit déplacer la laveuse, replacer la pièce de protection du panier de lavage des matériaux d'emballage d'origine dans le sommet de l'ouverture de la laveuse. Utiliser du ruban de masquage pour fixer le couvercle de la laveuse.
- Déplacer et entreposer la laveuse uniquement en position verticale.
- Ne pas entreposer la laveuse dans un environnement froid où la température descendra en dessous du point de congélation; l'entreposer à température ambiante.

# ⚠ AVERTISSEMENT



### Risque de choc électrique

Brancher sur une prise à 3 alvéoles reliée à la terre.

Ne pas enlever la broche de liaison à la terre du cordon d'alimentation.

Ne pas utiliser un adaptateur.

Ne pas utiliser un câble de rallonge.

Le non-respect de cette instruction pourrait causer un décès, un incendie ou un choc électrique.

### Pour réinstaller la laveuse en cas de non-utilisation, d'entreposage pour l'hiver, de déménagement ou en période de vacances :

1. Consulter les instructions d'installation pour choisir l'emplacement, régler l'aplomb de la laveuse et la raccorder.

### Remise en marche de la laveuse :

Avant de réutiliser la laveuse, exécuter la procédure recommandée suivante :

1. Vidanger les canalisations d'eau et les tuyaux. Reconnecter les tuyaux d'arrivée d'eau. Ouvrir les deux robinets d'eau.
2. Brancher la laveuse ou reconnecter la source de courant électrique.
3. Faire exécuter à la laveuse le programme Wash (lavage) pour nettoyer la laveuse et éliminer l'antigel, le cas échéant.

**REMARQUE :** Utiliser uniquement du détergent HE Haute efficacité. Utiliser la moitié de la quantité recommandée par le fabricant pour une charge de taille moyenne.

## DÉPANNAGE

Veillez essayer les solutions suggérées ci-dessous afin d'éviter le coût d'un appel de service inutile.

### FONCTIONNEMENT

PROBLÈME	CAUSE(S) POSSIBLE(S)	SOLUTION
<b>La laveuse ne fonctionne pas</b>	La laveuse n'est pas alimentée.	Brancher le cordon d'alimentation dans une prise à 3 alvéoles reliée à la terre.
	Le disjoncteur s'est enclenché ou le fusible est grillé.	Réenclencher le disjoncteur ou remplacer le fusible.
	La laveuse est surchargée ou la charge à laver n'est pas équilibrée.	Il est peut-être nécessaire de retirer le linge ou de le redistribuer pour ré-équilibrer la charge.
	Le programme Delicate (articles délicats) a été sélectionné.	La laveuse s'interrompt pendant certains programmes pour laisser tremper le linge. Une fois la période de trempage écoulée, la laveuse se remet automatiquement en marche.
	Le couvercle de la laveuse est ouvert.	Fermer le couvercle de la laveuse.
<b>Le couvercle de la laveuse ne s'ouvre pas</b>	Le couvercle de la laveuse est verrouillé.	Appuyer sur Start/Pause (mise en marche/pause) pour arrêter la laveuse. Le verrou du couvercle peut mettre un moment pour se désengager.

### EAU

PROBLÈME	CAUSE(S) POSSIBLE(S)	SOLUTION
<b>Le débit est lent ou le remplissage prend du temps</b>	Les robinets d'alimentation en eau ne sont pas complètement ouverts.	S'assurer que les robinets sont complètement ouverts.
	Le tuyau de remplissage d'eau est déformé.	S'assurer que les tuyaux ne sont ni emmêlés, ni écrasés, ni tordus.
<b>La température de l'eau est trop chaude ou trop froide</b>	La température du chauffe-eau n'a pas été réglée correctement.	L'eau chaude doit être réglée à une température d'au moins 120°F - 140°F (49°C - 60°C).
	Les tuyaux d'arrivée d'eau n'ont pas été raccordés correctement.	Vérifier que les tuyaux d'arrivée d'eau sont correctement raccordés (eau chaude avec eau chaude et eau froide avec eau froide).

PROBLÈME	CAUSE(S) POSSIBLE(S)	SOLUTION
<b>Fuites d'eau</b>	Les raccords du tuyau de remplissage d'eau ne sont pas serrés.	Vérifier que les raccords du tuyau d'arrivée d'eau au niveau du robinet et de la laveuse sont bien serrés.
	Le raccord du tuyau de vidange n'est pas fixé en place ou le tuyau n'est pas correctement positionné sur l'orifice de vidange.	Vérifier que le raccordement du tuyau de vidange à la laveuse est solide et que le tuyau de vidange est correctement placé au niveau de l'évacuation.
	Fuites d'eau indéterminées	Contactez un plombier qualifié.
<b>L'eau ne se vide pas de la laveuse</b>	Le tuyau d'évacuation n'est pas correctement raccordé à la laveuse.	Raccorder le tuyau de vidange à la laveuse.
	Le tuyau de vidange n'est pas positionné correctement.	Pour que la vidange puisse s'effectuer correctement, le sommet de l'orifice d'évacuation doit se trouver à au moins 39" (99 cm) au-dessus du plancher.
	L'évier ou le conduit d'évacuation est obstrué.	Retirer ce qui bloque l'évier ou le conduit d'évacuation.

## BRUIT

PROBLÈME	CAUSE(S) POSSIBLE(S)	SOLUTION
Bruit saccadé	La charge de lavage est peut-être déséquilibrée.	Suspendre le programme de la laveuse et ré-agencer les articles dans le panier de lavage.
Cliquetis ou sons métalliques	Des objets étrangers se trouvent peut-être dans la laveuse.	Arrêter la laveuse et chercher des clés ou des pièces de monnaie.
Grincement	La laveuse est peut-être surchargée.	Arrêter la laveuse et retirer une partie de la charge de lavage.
Vibration	La laveuse n'est peut-être pas d'aplomb.	Vérifier que les 4 pieds sont en contact ferme avec le plancher et que la laveuse est d'aplomb.

## VÊTEMENTS

PROBLÈME	CAUSE(S) POSSIBLE(S)	SOLUTION
<b>Froissement</b>	La charge de lavage n'a pas été triée correctement, est trop importante ou n'a pas été lavée à la bonne température.	Éviter de surcharger la laveuse et ne pas mélanger de vêtements lourds avec des articles légers ou délicats.
<b>Résidus de détergent</b>	Il est possible que le détergent ne se dissolve pas complètement dans une eau de lavage très froide.	Choisir une eau de lavage tiède et vérifier que l'eau chaude provenant du chauffe-eau du domicile atteint une température d'au moins 120 °F (49 °C).
<b>Les vêtements ressortent grisâtres ou jaunis</b>	La charge de lavage n'a pas été triée selon les couleurs.	Séparer les couleurs foncées des couleurs claires et articles blancs afin d'éviter tout transfert de teinture.
	Quantité de détergent utilisée insuffisante, ou niveau de saleté de la charge de lavage nécessitant une température de lavage plus chaude.	Les articles de grande taille ou très sales peuvent nécessiter plus de détergent et une eau de lavage plus chaude. Suivre les instructions du fabricant concernant les modalités d'utilisation recommandées pour le détergent.
<b>Les vêtements sont déchirés ou accrochés</b>	La charge de lavage n'a pas été préparée pour la lessive.	Nouer les ficelles et les ceintures. Vider les poches, fermer les ceintures et fermetures à glissière, les bouton-pression métalliques et agrafes avant de charger les vêtements.
<b>Taches de décoloration</b>  <b>REMARQUE :</b> Des taches de décoloration peuvent prendre la forme de taches de couleur plus claire.	La lessive est en contact direct avec l'agent de blanchiment.	Ne pas verser ni projeter ou faire éclabousser de l'agent de blanchiment directement sur les vêtements. Si l'on utilise le distributeur et que l'on remarque tout de même des taches, essayer d'utiliser de l'agent de blanchiment dilué.
<b>Vêtements d'apparence vieille et usée</b>	Mauvais programme de lavage ou mauvaise température de lavage.	Suivre les instructions du fabricant concernant l'entretien des vêtements.

**POUR OBTENIR DE L'AIDE SUPPLÉMENTAIRE, VISITER HAIER.COM OU CONTACTER LA LIGNE D'ASSISTANCE À LA CLIENTÈLE AU 1-877-377-3639.**

# GARANTIE LIMITÉE

## SERVICE À DOMICILE

### GARANTIE COMPLÈTE DE UN AN

Pendant 12 mois à compter de la date d'achat d'origine, Haier réparera ou remplacera gratuitement n'importe quelle pièce (main-d'œuvre comprise) comportant un défaut de matériau ou de fabrication.

Haier peut choisir à sa seule discrétion de remplacer ou réparer des pièces, des sous-systèmes ou le produit tout entier.

Le produit doit être accessible, dégagé et installé correctement pour bénéficier du service de réparation sous garantie.

### GARANTIE LIMITÉE

Au-delà d'un an après la date d'achat d'origine, Haier fournira gratuitement une pièce (tel qu'indiqué ci-dessous) pour remplacer ladite pièce suite à un défaut de matériau ou de fabrication. Haier assume l'entière responsabilité du coût de cette pièce. Tout autre coût, tels les frais de main-d'œuvre, de déplacement, etc, sont à la charge du propriétaire.

#### De la deuxième à la cinquième année

Dans l'éventualité où une pièce venait à ne pas retenir l'eau, Haier fournira la cuve de lavage externe et les pièces d'assemblage de cuve externe associées.

#### De la deuxième à la septième année

Haier fournira le panier de lavage en acier inoxydable si celui-ci présente un défaut de matériau ou de fabrication.

**REMARQUE :** Cette garantie prend effet à la date à laquelle l'article a été acheté et le reçu de l'achat d'origine doit être présenté au représentant de dépannage autorisé avant qu'une quelconque réparation sous garantie ne soit effectuée.

**Exceptions :** Garantie pour usage de location

**90 jours sur la main-d'œuvre à compter de la date d'achat d'origine**

**90 jours sur les pièces à compter de la date d'achat d'origine**

Aucune autre garantie ne s'applique.

### SERVICE AU TITRE DE LA GARANTIE

Contactez le centre de dépannage autorisé le plus proche. Tout dépannage doit être effectué par un centre de dépannage autorisé Haier. Pour le nom et le numéro de téléphone du centre de dépannage autorisé le plus proche de votre domicile, composer le 1-877-337-3639.

Avant d'appeler le centre, veuillez garder à disposition les renseignements suivants : Numéros de plaque signalétique de l'appareil. Le nom et l'adresse du revendeur auprès duquel vous avez acheté l'appareil, ainsi que la date d'achat.

Une description claire du problème rencontré. Une preuve d'achat (reçu de vente).

**Cette garantie est valable pour le service des appareils domestiques aux États-Unis contigus et au Canada et lorsque le service est disponible, en Alaska, à Hawaï et Porto Rico.**

**Cette garantie ne couvre pas :**

Le remplacement ou la réparation des fusibles, disjoncteurs, du câblage ou du circuit de plomberie du domicile.

Un produit dont le numéro de série d'origine a été enlevé ou modifié.

Tous frais de dépannage non identifiés comme étant normaux tel un dépannage dans une zone ou une tranche horaire normale.

Vêtements endommagés.

Les dommages liés à l'expédition.

Les dommages liés à une installation ou un entretien inadapté.

Les dommages causés par l'un des éléments suivants : Mauvaise utilisation, utilisation abusive, accident, incendie ou catastrophe naturelle.

Les dommages résultant d'un dépannage fourni par une entité autre qu'un revendeur ou centre de dépannage autorisé Haier.

Les dommages causés par un courant, une tension ou une alimentation électrique incorrects.

Les dommages résultant d'une quelconque modification ou altération du produit ou d'un ajustement non autorisé par Haier.

Un ajustement des commandes utilisées par le consommateur tel qu'identifié dans le manuel de l'utilisateur.

Les tuyaux, boutons, plateaux à charpie et tout accessoire ou pièce jetable.

Les frais de main-d'œuvre, transport pour dépannage et d'expédition pour le retrait et le remplacement de pièces défectueuses au-delà de la période de 12 mois.

Les dommages liés à une utilisation autre qu'une utilisation domestique normale.

Tout frais de transport et d'expédition.

**CETTE GARANTIE LIMITÉE REMPLACE TOUTE AUTRE GARANTIE EXPRESSE OU IMPLICITE, Y COMPRIS, MAIS PAS SEULEMENT, LES GARANTIES IMPLICITES, Y COMPRIS LES GARANTIES DE QUALITÉ MARCHANDE OU D'APTITUDE À UN USAGE PARTICULIER**

Le recours offert dans cette garantie est exclusif et se substitue à toute autre garantie.

Cette garantie ne couvre pas les dommages fortuits ou indirects; aussi les limitations décrites ci-dessus peuvent ne pas s'appliquer à votre cas. Certains États ne permettent pas de limitation sur la durée d'une garantie implicite, aussi les limitations décrites ci-dessus peuvent ne pas s'appliquer à votre cas.

Cette garantie vous confère des droits juridiques spécifiques. Vous pouvez également jouir d'autres droits qui peuvent varier d'un État à l'autre.

Haier America  
Wayne, NJ 07470

# ÍNDICE

<b>SEGURIDAD DE LA LAVADORA</b> .....	<b>63</b>
<b>PIEZAS Y CARACTERÍSTICAS</b> .....	<b>66</b>
<b>REQUISITOS DE INSTALACIÓN</b> .....	<b>67</b>
Herramientas necesarias .....	67
Piezas suministradas .....	67
Requisitos de ubicación.....	68
Requisitos del sistema de desagüe.....	69
Requisitos eléctricos .....	70
Instrucciones de puesta a tierra .....	71
<b>INSTRUCCIONES DE INSTALACIÓN</b> .....	<b>72</b>
Paso 1 – Desempaque la lavadora.....	72
Paso 2 - Tendido de la manguera de desagüe (opcional) .....	73
Paso 3 - Instale la placa inferior.....	74
Paso 4 - Instale las ruedecillas (opcional) .....	75
Paso 5 - Nivele la lavadora.....	76
Paso 6 - Asegure la manguera de desagüe.....	77
Paso 7 - Conecte la manguera de agua .....	78
Paso 8 – Complete la instalación.....	82
<b>PANEL DE CONTROL Y CARACTERÍSTICAS</b> .....	<b>83</b>
<b>USO DE LA LAVADORA</b> .....	<b>85</b>
Paso 1 – Prepare y separe las prendas .....	85
Paso 2 – Agregue los productos para el cuidado de las telas.....	86
Paso 3 – Cargue la lavadora .....	87
Paso 4 – Ponga la lavadora en marcha .....	87
<b>CUIDADO DE LA LAVADORA</b> .....	<b>87</b>
Limpieza y mantenimiento.....	87
Precauciones al irse de vacaciones.....	88
Preparación para la mudanza o el almacenaje .....	88
Cómo volver a instalar o usar la lavadora nuevamente .....	89
<b>SOLUCIÓN DE PROBLEMAS</b> .....	<b>90</b>
<b>GARANTÍA LIMITADA</b> .....	<b>93</b>

## INFORMACIÓN A TENER EN CUENTA

Le agradecemos la compra de este producto de marca Haier. Este manual para el usuario le ayudará a obtener el mejor funcionamiento de su nueva lavadora.

Para referencia futura, anote el número de modelo y de serie, que están situados en la parte posterior de la lavadora, y la fecha de compra.

Engrape la prueba de compra de este manual para asistirle cuando necesite obtener servicio bajo la garantía.

\_\_\_\_\_  
Número de modelo

\_\_\_\_\_  
Número de serie

\_\_\_\_\_  
Fecha de compra



## SEGURIDAD DE LA LAVADORA

### Su seguridad y la seguridad de los demás es muy importante.

Hemos incluido muchos mensajes importantes de seguridad en este manual y en su electrodoméstico. Lea y obedezca siempre todos los mensajes de seguridad.



Este es el símbolo de advertencia de seguridad.

Este símbolo le llama la atención sobre peligros potenciales que pueden ocasionar la muerte o una lesión a usted y a los demás. Todos los mensajes de seguridad irán a continuación del símbolo de advertencia de seguridad y de la palabra "PELIGRO", "ADVERTENCIA" o "PRECAUCIÓN".

Estas palabras significan:

 **PELIGRO**

Se trata de una situación de peligro inminente. Si no sigue las instrucciones de inmediato, usted puede morir o sufrir una lesión grave.

 **ADVERTENCIA**

Se trata de una situación posiblemente peligrosa que, de no evitarse, podría causar la muerte o una lesión grave.

 **PRECAUCIÓN**

Se trata de una situación posiblemente peligrosa que, de no evitarse, podría causar lesiones moderadas o leves.

Todos los mensajes de seguridad le dirán el peligro potencial, le dirán cómo reducir las posibilidades de sufrir una lesión y lo que puede suceder si no se siguen las instrucciones.

# INSTRUCCIONES IMPORTANTES DE SEGURIDAD

**ADVERTENCIA:** Para reducir el riesgo de incendio, choque eléctrico, lesiones a personas o daños al utilizar la lavadora, siga precauciones básicas, incluyendo las siguientes:

- Mantenga el área alrededor del aparato libre de materiales combustibles, tales como pelusa, papel, trapos o productos químicos.
  - Es necesario supervisar cuidadosamente a los niños si los mismos usan el aparato o cuando éste se use cerca de ellos. No permita que los niños jueguen con o sobre este aparato ni en el interior del mismo.
  - No coloque artículos que hayan sido previamente limpiados, lavados, puestos en remojo o manchados con gasolina, disolventes de limpieza en seco u otras sustancias inflamables o explosivas en el agua de lavado. Estas sustancias despiden vapores que pueden encenderse o causar una explosión.
  - No agregue gasolina, solventes para limpiar en seco u otras sustancias inflamables o explosivas al agua de lavado. Estas sustancias despiden vapores que pueden encenderse o causar una explosión.
  - No introduzca las manos en el aparato si la canasta de lavado, la tina o el agitador se está moviendo.
  - No trate de forzar los controles.
  - Para reducir al mínimo la posibilidad de un choque eléctrico, desenchufe este aparato del suministro de energía antes de intentar realizar el mantenimiento o la limpieza.
- NOTA:** Apagar el botón "Power" NO desconectará el aparato del suministro de energía.
- No intente proveer servicio, reparación ni reemplazar ninguna parte del aparato a menos que esto se recomiende específicamente en este manual o en instrucciones de reparación publicadas para el usuario que usted comprenda y si cuenta con la experiencia necesaria para llevar a cabo dicha reparación.
  - Antes de desechar la lavadora o de retirarla del servicio, quítele la puerta o la tapa.
  - Lea todas las instrucciones antes de usar este aparato.
  - Use este aparato solamente para el propósito que fue diseñado, como se describe en este manual para el usuario.
  - No use la lavadora con propósitos de lavandería comercial.

# INSTRUCCIONES IMPORTANTES DE SEGURIDAD

- Bajo ciertas condiciones, puede generarse gas hidrógeno en un sistema de agua caliente que no se haya usado por dos semanas o un período mayor. **EL GAS HIDRÓGENO ES EXPLOSIVO.** Si no se ha usado el sistema de agua caliente durante dicho período, antes de usar una máquina de lavar, abra todos los grifos de agua caliente y deje que corra el agua de cada uno por varios minutos. Esto liberará todo el gas hidrógeno que se haya acumulado. Debido a la inflamabilidad de dicho gas, no fume ni use una llama abierta durante este lapso.
- Antes de usarse este aparato, deberá ser debidamente instalado y ubicado de acuerdo a las instrucciones de instalación.
- No guarde este aparato ni lo instale en donde se verá expuesto a temperaturas por debajo del punto de congelación ni expuesto a las inclemencias del tiempo, ya que esto puede ocasionar daños al mismo.
- El aparato deberá ser conectado a tierra como es debido, para que cumpla con todos los códigos y ordenanzas eléctricos. Vea la sección "Requisitos eléctricos".

## LEA Y GUARDE ESTAS INSTRUCCIONES

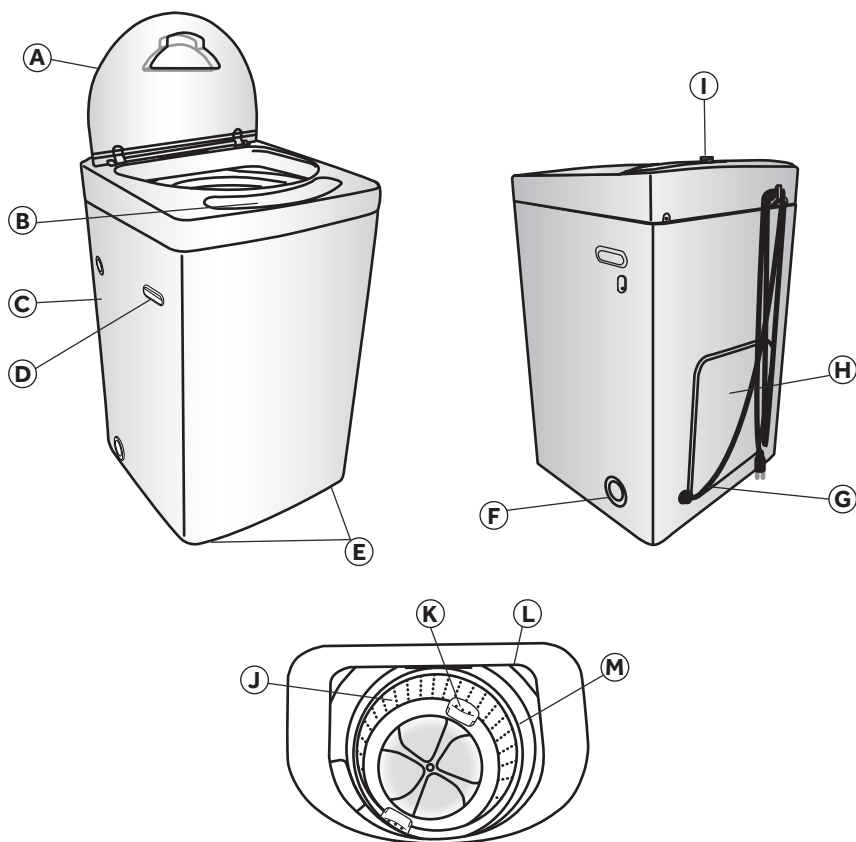
### ADVERTENCIA

#### **Peligro de asfixia**

Antes de deshacerse de su viejo aparato, quitele la puerta o la tapa, para que los niños no puedan esconderse ni quedar atrapados dentro del mismo.

No seguir esta instrucción puede ocasionar la muerte o daño al cerebro.

## PIEZAS Y CARACTERÍSTICAS



- A** Tapa superior
- B** Panel de control
- C** Carcasa
- D** Manija de la carcasa
- E** Pata niveladora
- F** Conducto de desagüe
- G** Cable eléctrico (120 voltios / 60 Hz)
- H** Panel de acceso
- I** Válvula de entrada de agua
- J** Canasta de lavado
- K** Surtidor de potencia
- L** Cubierta exterior de la tina
- M** Aro de balance

# REQUISITOS DE INSTALACIÓN

## HERRAMIENTAS NECESARIAS

- Alicates
- Llave de tuercas
- Destornillador Phillips
- Cinta de medir
- Nivel de carpintero

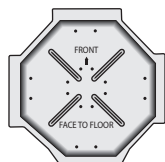
## PIEZAS SUMINISTRADAS



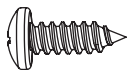
- Gancho de la manguera de desagüe



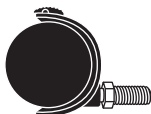
- Manguera de agua (con arandelas planas instaladas previamente)



- Panel inferior



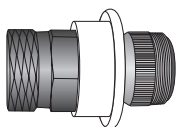
- Tornillo del panel inferior (6)



- Ruedecilla (4)



- Llave para ruedecillas



- Adaptador de grifo de lavadero de conexión rápida



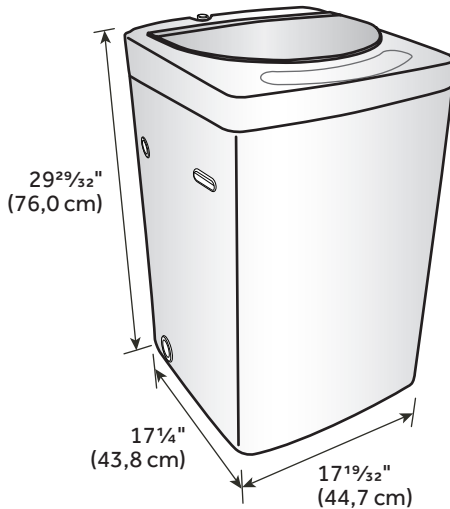
- Atadura para cables
- Manual para el usuario

## REQUISITOS DE UBICACIÓN

- La lavadora deberá ser instalada sobre un piso sólido, para reducir al mínimo la vibración durante el ciclo de exprimido. El piso de hormigón es el mejor.
- El piso deberá estar nivelado y con un declive máximo de 1" (25 mm) debajo de toda la lavadora.
- Un lugar apropiado, protegido de la luz directa del sol y de fuentes de calor, tales como radiadores, zócalos radiantes o aparatos de cocción.
- No la instale sobre una alfombra.
- El lugar deberá tener un contacto eléctrico conectado a tierra, ubicado a menos de 4 pies (1,2 m) del cable eléctrico, en la parte posterior de la lavadora.
- Los grifos de agua deben estar dentro de los 3 pies (0,9 m) de la conexión de la lavadora.
- Solo conecte a la llave de agua fría (grifo).
- La presión de agua deberá estar entre 20 y 100 lb/pulg<sup>2</sup> (138 y 690 kPa).

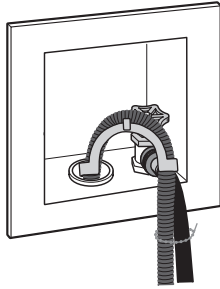
**IMPORTANTE:** No instale ni ponga a funcionar esta lavadora donde estará expuesta a temperaturas por debajo de 32 °F (0 °C). El agua que quede en la lavadora se congelará y ocasionará daños a la misma.

## DIMENSIONES DE LA LAVADORA



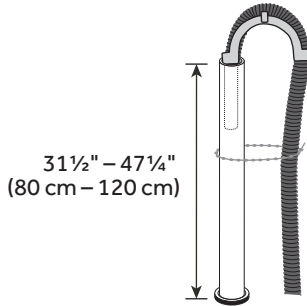
# REQUISITOS DEL SISTEMA DE DESAGÜE

## PARED



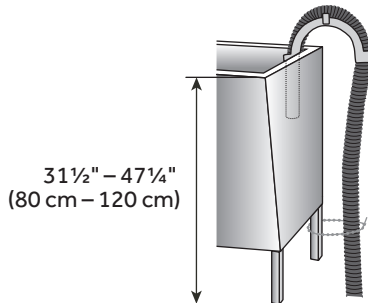
## TUBO VERTICAL DESDE EL PISO

La altura del tubo vertical deberá ser entre 31½" (80 cm) y 47¼" (120 cm) desde la base de la lavadora. El tubo vertical deberá tener un diámetro mínimo de 2" (5 cm).



## TINA DE LAVADERO

La tina de lavadero necesita una capacidad mínima de 20 gal (76 L). La tina de lavadero deberá tener una altura de por lo menos 31½" (80 cm) y no más de 47¼" (120 cm).



## REQUISITOS ELÉCTRICOS

### ! ADVERTENCIA



#### Peligro de Choque Eléctrico

La lavadora deberá ser enchufada en un contacto eléctrico debidamente puesto a tierra, de 120 voltios, 60 Hz, CA solamente, de 15 ó 20 amperios, con fusibles. Se recomienda un fusible retardador o un cortacircuitos.

No seguir estas instrucciones puede ocasionar la muerte, incendio o choque eléctrico.

- Si el suministro eléctrico provisto no satisface los requisitos mencionados anteriormente, póngase en contacto con un electricista competente autorizado.

### ! ADVERTENCIA



#### Peligro de Choque Eléctrico

Conecte a un contacto de pared de conexión a tierra de 3 terminales.

No quite el terminal de conexión a tierra del cable de alimentación.

No use un adaptador.

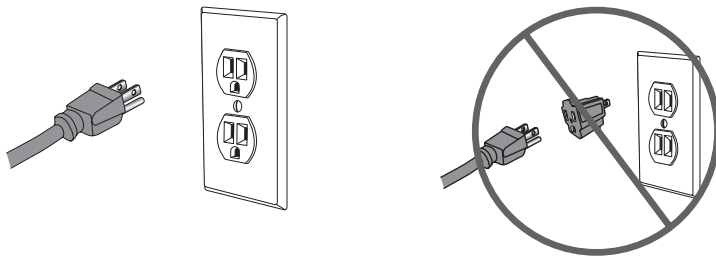
No use un cable eléctrico de extensión.

No seguir estas instrucciones puede ocasionar la muerte, incendio o choque eléctrico.

- Se necesita un suministro eléctrico de 120 voltios, 60 hertzios, CA solamente, de 15 o 20 amperios y protegido con fusibles. Se recomienda un fusible retardador o un cortacircuitos. Asimismo se recomienda usar un cortacircuitos independiente que preste servicio únicamente a este aparato.
- Esta lavadora viene equipada con un cable de suministro eléctrico dotado de un enchufe de 3 terminales con conexión a tierra.
- Para reducir al mínimo el peligro de posibles choques eléctricos, el cable debe estar enchufado en un tomacorriente apropiado de pared de 3 terminales, con conexión a tierra de acuerdo con los códigos y ordenanzas locales. Si no



hay disponible un tomacorriente equivalente, es responsabilidad y obligación personal del cliente tener un tomacorriente apropiado con conexión a tierra instalado por un electricista competente.



- Si los códigos lo permiten y se emplea un alambre de conexión a tierra separado, se recomienda que un electricista competente determine si la trayectoria de conexión a tierra es adecuada.
- No conecte a tierra a un tubo de gas.
- Si no está seguro de que la conexión a tierra de la lavadora sea la adecuada, verifíquela con un electricista competente.
- No coloque un fusible en el circuito neutro o de puesta a tierra.

## INSTRUCCIONES DE PUESTA A TIERRA

### Para la conexión de una lavadora mediante cable eléctrico conectado a tierra:

La lavadora debe estar conectada a tierra. En el caso de funcionamiento defectuoso o avería, la conexión a tierra reducirá el riesgo de choque eléctrico al proporcionar una vía de menor resistencia para la corriente eléctrica.

La lavadora usa un cable que cuenta con un conductor para la conexión a tierra del equipo y un enchufe de conexión a tierra. El enchufe debe conectarse en un contacto apropiado, que esté debidamente instalado y conectado a tierra de acuerdo con todos los códigos y ordenanzas locales.

**ADVERTENCIA:** La conexión inadecuada del conductor a tierra para el equipo puede resultar en un riesgo de choque eléctrico.

Si no está seguro de que la conexión a tierra de la lavadora sea la adecuada, verifíquela con un electricista o técnico de servicio competente.

No modifique el enchufe provisto con la lavadora; si no encaja en el tomacorriente, consulte con un electricista competente para instalar un contacto adecuado.

### Para la conexión permanente de una lavadora:

La lavadora debe estar conectada a un sistema de cableado de metal permanente, conectado a tierra, o se debe tender un conducto para la conexión a tierra del equipo con los conductores de circuito y conectado al terminal del equipo o al conductor de suministro de la lavadora.

## INSTRUCCIONES DE INSTALACIÓN

Se recomienda que un técnico de aparatos competente instale su nueva lavadora. Si le parece que tiene la habilidad para instalar la lavadora, lea las instrucciones de instalación cuidadosamente antes de hacerlo.

### IMPORTANTE:

- Si después de seguir estos pasos no está seguro de haber instalado la lavadora adecuadamente, póngase en contacto con un técnico de aparatos competente.
- Si recién le han entregado la lavadora y la temperatura del exterior estaba por debajo del punto de congelación, no ponga a funcionar la lavadora hasta que alcance la temperatura ambiente.

## PASO 1 – DESEMPAQUE LA LAVADORA

### ! ADVERTENCIA



#### Peligro de asfixia

Para evitar el peligro de asfixia, mantenga la bolsa de plástico y otros materiales de envío lejos del alcance de los bebés y los niños. No use esta bolsa en cunas, cochecitos ni corrales. La bolsa de plástico podría bloquear la nariz y la boca, impidiendo la respiración. Esta bolsa no es un juguete.

No seguir esta instrucción puede ocasionar la muerte o daño al cerebro.

### ! ADVERTENCIA

#### Peligro de Peso Excesivo

Use dos o más personas para mover e instalar la lavadora.

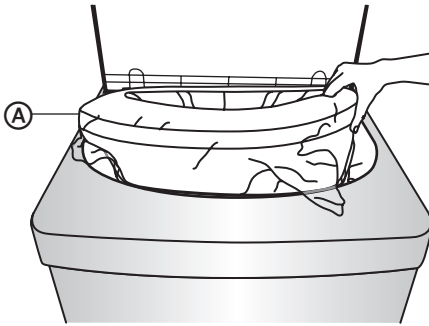
No seguir esta instrucción puede ocasionar una lesión en la espalda u otro tipo de lesiones.

1. Quite todos los materiales de embalaje. Esto incluye: la base de espuma, soporte de plástico moldeado y toda la cinta adhesiva que mantiene sujetos los accesorios del interior y el exterior de la lavadora.

**IMPORTANTE:** Si no quita la base del embalaje, la lavadora no funcionará correctamente y se anulará la garantía.

- Abra la tapa para acceder al soporte de la canasta de lavado. Jale hacia arriba del soporte de la canasta para quitarlo.

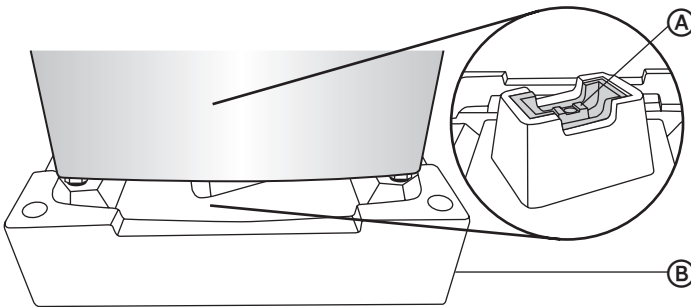
**NOTA:** Guarde el soporte de la canasta de lavado para usarlo cuando mueva la lavadora en el futuro.



(A) Soporte de la canasta de lavado

- Con la ayuda de dos o más personas, levante la lavadora para quitarla de la base del embalaje y del soporte de plástico moldeado.

**NOTA:** Es posible que el soporte de plástico, debajo del soporte en forma de U, permanezca sujeto a la base de la lavadora. Asegúrese de que se quite con la base de espuma.



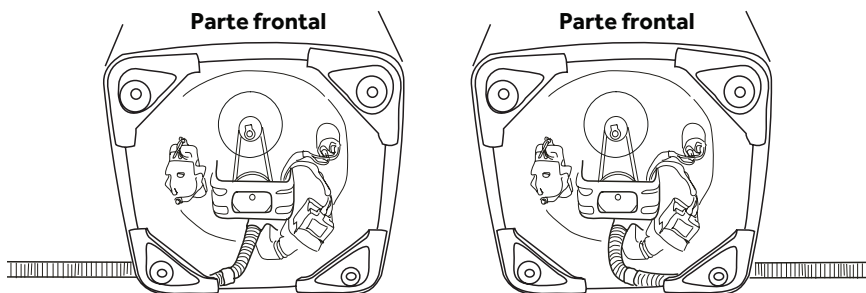
(A) Soporte de plástico  
(B) Base de espuma

2. Inspeccione la lavadora y quite los restos de materiales de embalaje, cinta o material impreso antes de usar la lavadora.
3. Deshágase apropiadamente de todos los materiales de embalaje o recíclelos.

## PASO 2 - TENDIDO DE LA MANGUERA DE DESAGÜE (OPCIONAL)

La lavadora trae de fábrica una manguera de desagüe tendida para extenderse desde la parte inferior izquierda de la lavadora. Si quiere que la manguera se extienda desde el lado derecho de la lavadora para el desagüe, debe volver a dirigir la manguera.

1. Quite la abrazadera de la manguera. Jale suavemente la manguera de desagüe a través de la abertura en el lado izquierdo de la lavadora.
2. Inserte la manguera de desagüe a través de la abertura en el lado derecho de la lavadora y extienda lentamente la manguera en toda su extensión.



## PASO 3 - INSTALE LA PLACA INFERIOR

### ⚠ ADVERTENCIA



#### Peligro de choque eléctrico

Instale la cubierta de la base.

Trabe las cuatro ruedecillas antes de poner en funcionamiento la lavadora.

No seguir esta instrucción puede ocasionar la muerte, choque eléctrico o lesiones físicas.

### ⚠ ADVERTENCIA



#### Peligro de Choque Eléctrico

Desconecte el suministro de energía antes de dar mantenimiento.

Vuelva a colocar todos los paneles antes de hacer funcionar.

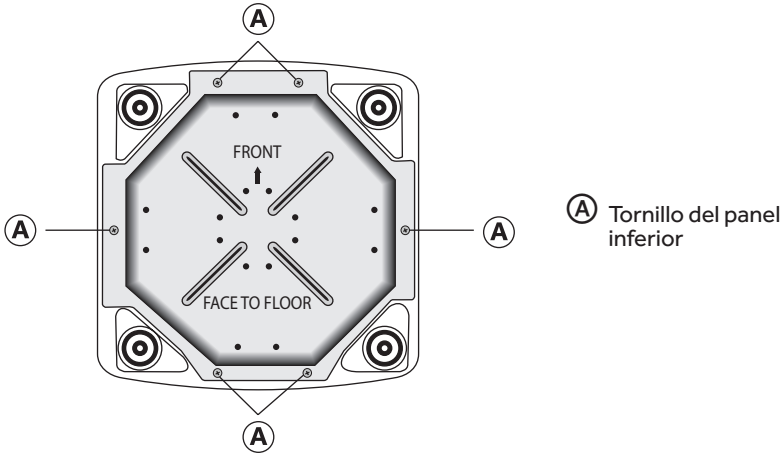
No seguir estas instrucciones puede ocasionar la muerte o choque eléctrico.

1. Coloque la placa inferior contra la base de la lavadora, con el lado que tiene la leyenda "face to floor" (lado hacia el suelo) mirando hacia usted y el extremo con la leyenda "front" (frente) alineado con el frente de la lavadora.

2. Alinee los orificios de la placa inferior con los orificios en la base de la lavadora.

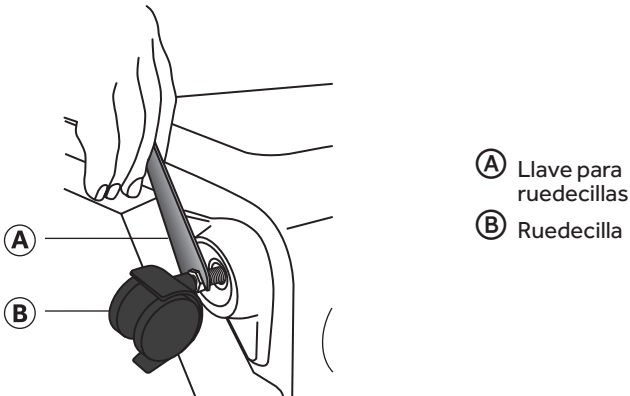
**IMPORTANTE:** Para evitar daños a la lavadora, asegúrese de que la placa inferior esté colocada correctamente antes de sujetar la placa a la carcasa de la lavadora.

3. Utilice un destornillador Phillips y los 6 tornillos de la placa inferior (provistos), inserte cada tornillo a través de la placa inferior y en la base de la lavadora. Apriete los tornillos por completo.



## PASO 4 - INSTALE LAS RUEDECILLAS (OPCIONAL)

1. Desatornille y quite las 4 patas fijas de nivelación.
2. Atornille cada una de las 4 ruedecillas en los orificios de la base de la lavadora. Usando una llave de tuercas, apriete la contratuerca a la base de la lavadora.



3. Empuje la lengüeta en cada ruedecilla en la posición inferior para bloquear la ruedecilla.

## PASO 5 - NIVELE LA LAVADORA

**IMPORTANTE:** La nivelación apropiada de su lavadora ayudará a reducir el ruido y la vibración.

1. Use dos o más personas, coloque la lavadora en posición vertical.

**NOTA:** Si instaló ruedecillas, levántelas de la lengüeta para desbloquearlas.

2. Coloque la lavadora en su ubicación final. Cerciérese de que las líneas de agua y de desagüe no estén tirantes ni aplastadas. Cerciérese de que las cuatro patas estén en contacto firme con el piso y que la lavadora descansa firmemente en su posición.

3. Con un nivel de carpintero, cerciérese de que la lavadora esté nivelada de lado a lado y de frente hacia atrás.

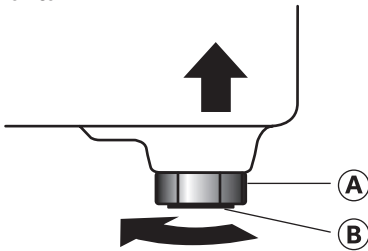
4. Si la lavadora no está nivelada, regule las patas de nivelación o ruedecillas. Gírelas en el sentido de las agujas del reloj para extender (levantar la lavadora) o en sentido contrario a las agujas del reloj para replegar (bajar la lavadora).

**NOTA:** Si la lavadora está inclinada a más de 2°, no funcionará.

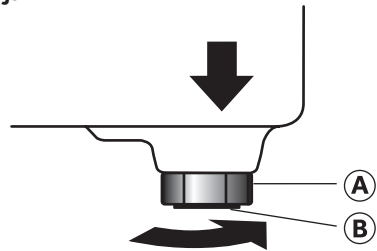
### PATAS FIJAS DE NIVELACIÓN

1. Afloje el anillo exterior grande ajustable y, luego, gire la pata del centro en el sentido de las agujas del reloj o en sentido contrario a las agujas del reloj para ajustar la altura.

**Levantar**



**Bajar**



(A) Anillo exterior

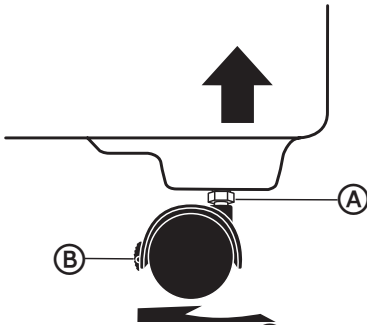
(B) Pata del centro

2. Una vez que la lavadora esté nivelada, bloquee la posición de cada pata de nivelación; para ello, apriete el anillo exterior grande.

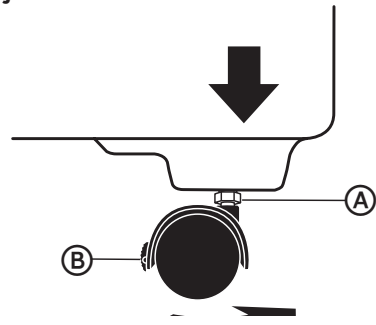
## RUEDECILLAS

1. Usando la llave para ruedecillas, gire la contratuerca en la ruedecilla en el sentido de las agujas del reloj o en sentido contrario a las agujas del reloj para ajustar la altura.

Levantar



Bajar

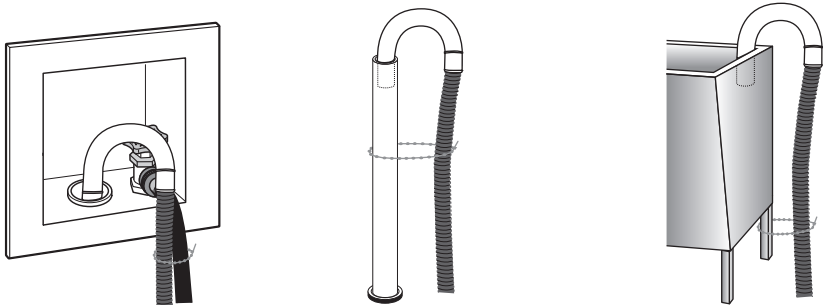


- (A) Contratuerca  
(B) Palanca de la ruedecilla

2. Después de la nivelación, bloquee cada ruedecilla presionando hacia abajo la palanca de la ruedecilla antes de usar la lavadora.
  - Para bloquear - presione hacia abajo palanca de la ruedecilla.
  - Para desbloquear - levante la palanca de la ruedecilla.

## PASO 6 - ASEGURE LA MANGUERA DE DESAGÜE

1. Coloque el extremo del gancho de la manguera de desagüe en un tubo de desagüe o tina de lavadero.



2. Asegure la manguera de desagüe en su lugar sujetándola a una manguera de agua, al tubo vertical o a la pata de la tina de lavadero. Consulte "Requisitos para el sistema de desagüe" para obtener más información.

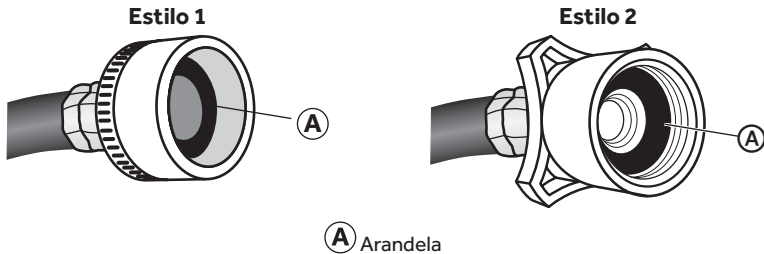
## PASO 7 - CONECTE LA MANGUERA DE AGUA

Según el modelo, las mangueras de agua provistas serán de **Estilo 1** o **Estilo 2**. Siga las instrucciones específicas para el estilo de mangueras de agua provistas.

**IMPORTANTE:** Utilice solamente mangueras nuevas cuando instale la lavadora. Las mangueras de agua deben tener conectores de rosca gruesa en un extremo (para conectar al suministro de agua del hogar) y conectores de rosca fina en el otro extremo (para conectar a la máquina de lavar).

**NOTA:** Inspeccione periódicamente la manguera para ver si tiene rajaduras, cortes, fugas o desgaste. Reemplácela con una manguera nueva cada 5 años.

1. Verifique que cada extremo de la manguera de entrada de agua tenga una arandela plana colocada firmemente en su lugar. Las arandelas planas se instalaron previamente de fábrica.



2. Enrosque a mano el extremo blanco de la manguera de entrada en la válvula de entrada en la parte posterior de la lavadora, hasta que quede ajustado.

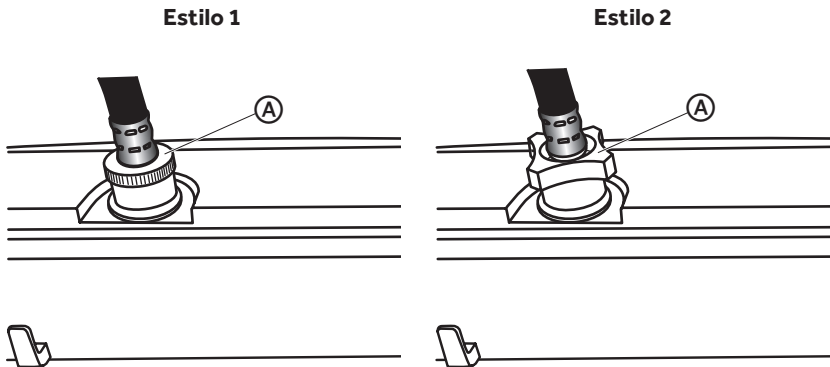
### IMPORTANTE:

- No conecte el extremo gris de la manguera de entrada a la lavadora. Dañará las roscas y filtrarán.
- Para evitar daños en el acoplamiento de la manguera, no lo apriete en exceso.

**Estilo 1** - Con las pinzas, apriete la conexión dos tercios de vuelta adicional.

**Estilo 2** - No use pinzas para apretar la conexión.

**NOTA:** Para evitar daños en la válvula de entrada de la lavadora, no use cinta de plomero ni selladores en las roscas de la válvula.





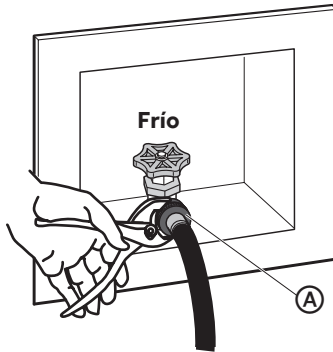
## OPCIÓN 1 - FIJA

**NOTA:** Para que esta lavadora cumpla con los estándares de consumo de energía regulados, el grifo que suministra el agua debe estar en frío.

1. Enrosque a mano el extremo gris de la manguera de entrada dentro del grifo de agua hasta que quede ajustado. Luego apriete con pinzas dando dos tercios de vuelta adicional.

**IMPORTANTE:** Para evitar daños en el acoplamiento de la manguera, no lo apriete en exceso.

**NOTA:** Para evitar daños en el grifo, no use cinta de plomero ni selladores en las roscas de la válvula.



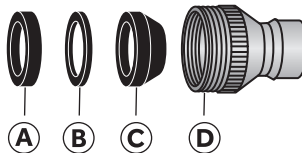
(A) Solo el extremo gris

2. Abra el grifo de agua y revise si hay filtraciones. Si hay filtraciones, revise nuevamente las conexiones flojas y apriételas.

## OPCIÓN 2 - PORTÁTIL

**NOTA:** Para que esta lavadora cumpla con los estándares de consumo de energía regulados, el grifo que suministra el agua debe estar en frío.

1. Quite el aireador de la boquilla del grifo.
2. Revise el grifo para determinar si tiene roscas internas o externas en el grifo.
  - Roscas internas: mantenga la arandela (A) de goma en su lugar.
  - Roscas externas: quite la arandela (A) de goma antes de enroscar el conector del grifo al grifo.

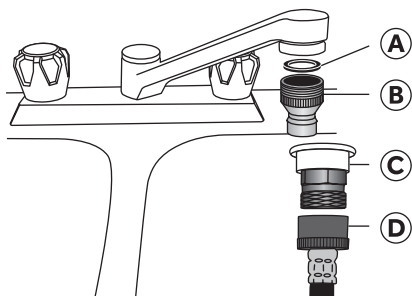


- (A) Arandela extraíble
- (B) Arandela secundaria (No quitar)
- (C) Soporte de arandela (No quitar)
- (D) Conector plateado del grifo

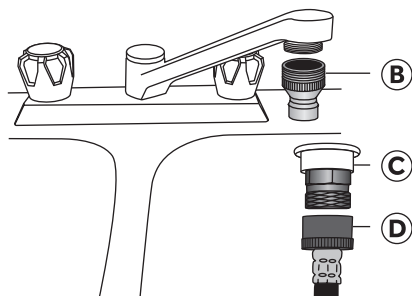
**NOTA:** El conector del grifo (proporcionado) es roscado a fin de encajar en la MAYORÍA de los grifos. Si el conector del grifo proporcionado no encaja en su grifo, deberá comprar un conector de grifo del tamaño correcto.

3. Enrosque el conector plateado del grifo al grifo.

#### Roscas internas



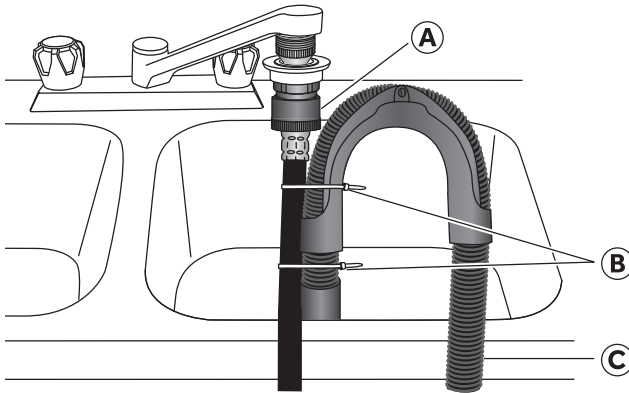
#### Roscas externas



- (A) Arandela de goma
- (B) Conector plateado del grifo
- (C) Adaptador de grifo de lavadero de conexión rápida
- (D) Manguera de entrada de agua - Solo el extremo gris

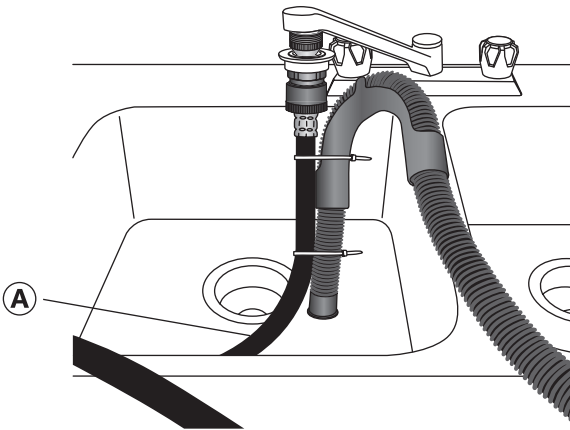
4. Fije el adaptador de grifo de lavadero de conexión rápida al extremo gris de la manguera de entrada, asegurándose de que la arandela plana instalada previamente quede entre la manguera y el adaptador.
5. Fije el adaptador de grifo de lavadero de conexión rápida al conector plateado de grifo jalando hacia abajo del collarín blanco mientras empuja hacia arriba el grifo. Suelte el collarín blanco y se trabará en su lugar.
6. Abra el grifo del agua y revise si hay filtraciones. Si hay filtraciones:
  - Verifique si hay conexiones flojas y apriételas.
  - Asegúrese de que el extremo gris esté conectado en el adaptador de grifo de lavadero de conexión rápida y que el extremo blanco esté conectado a la lavadora.

7. Con 2 ataduras de cables, sujete la manguera de entrada de agua a la manguera de desagüe para mantener las mangueras en su lugar.



- Ⓐ Manguera de entrada de agua
- Ⓑ Atadura para cables
- Ⓒ Manguera de desagüe

**IMPORTANTE:** Coloque la longitud extra (el sobrante) de la manguera dentro del lavadero para evitar tensión y posible daño al grifo de agua.



- Ⓐ Manguera de entrada de agua

## PASO 8 – COMPLETE LA INSTALACIÓN

### ! ADVERTENCIA



#### Peligro de Choque Eléctrico

Conecte a un contacto de pared de conexión a tierra de 3 terminales.

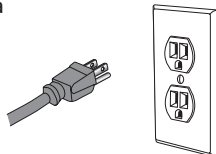
No quite el terminal de conexión a tierra del cable de alimentación.

No use un adaptador.

No use un cable eléctrico de extensión.

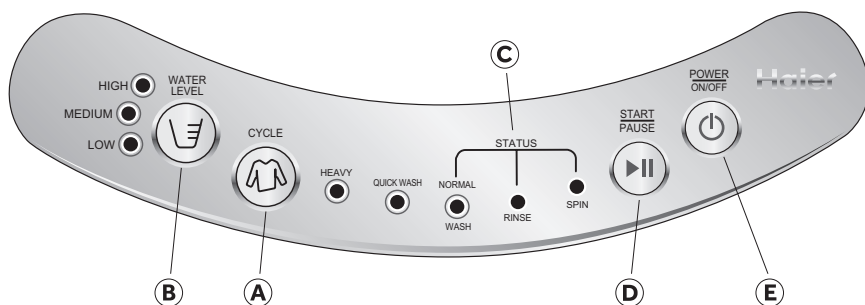
No seguir estas instrucciones puede ocasionar la muerte, incendio o choque eléctrico.

1. Enchufe la lavadora en un contacto de pared de conexión a tierra de 3 terminales.
2. Verifique que el grifo de agua esté abierto.
3. Deshágase de todos los materiales de embalaje o recíclelos.
4. Compruebe que las ruedecillas, si están instaladas, estén bloqueadas. Vea "Nivele la lavadora."
5. Ponga a funcionar un ciclo de lavado normal con detergente, para probar y limpiar la lavadora. Consulte la sección "Instrucciones para el funcionamiento".



# PANEL DE CONTROL Y CARACTERÍSTICAS

## PANEL DE CONTROL



### A BOTÓN WASH CYCLE (CICLO DE LAVADO)

- Use este botón para seleccionar el ciclo deseado para su carga de lavado.
- Los ajustes prefijados estándares de cada ciclo aparecerán en pantalla; los ajustes prefijados pueden cambiarse con los botones de ajuste: Water Level (Nivel de agua).
- Hay 3 ciclos para elegir:

**Heavy (Intenso)** - Use este ciclo para prendas durables con suciedad profunda. Este ciclo también puede usarse para toallas, artículos deportivos, ropa de niños, etc.

**Normal** - Use este ciclo para las prendas de algodón y cargas de telas mixtas con suciedad normal.

**Quick Wash (Lavado rápido)** - Use este ciclo para lavar cargas pequeñas de prendas con suciedad ligera que necesite de prisa.

### B BOTONES DE AJUSTE

#### Botón Water Level (Nivel de agua)

- Use este botón para seleccionar un nivel de agua adecuado para la carga. El ajuste Small (Pequeño) es el nivel más bajo de agua; el ajuste Super (Súper) es el más alto.

### C INDICADORES DE PROGRESO DEL CICLO

- Cuando se haya puesto en marcha la lavadora por primera vez, las luces de Cycle Progress (Progreso del ciclo) indicarán todas las etapas del ciclo seleccionado.
- A medida que se completa cada etapa, la luz se apagará, indicando que está en marcha la próxima etapa.
- El ciclo de lavado habrá terminado por completo cuando se apaguen todas las luces.

## D BOTÓN START/PAUSE (INICIO/PAUSA)

- Presione este botón para poner en marcha un ciclo seleccionado o hacer una pausa en un ciclo que esté en marcha.

**NOTA:** Luego de iniciar el ciclo de lavado, deberá hacer una pausa en el ciclo que esté en marcha para cambiar el ajuste de Water Level (Nivel de agua).

## E BOTÓN POWER (ENCENDIDO)

**IMPORTANTE:** El apagado de la unidad con el botón Power (Encendido) no desconecta el aparato del suministro eléctrico.

- Presione el botón POWER (Encendido) para encender la lavadora.

**NOTA:** Si la lavadora está encendida, pero no se presiona START/PAUSE (Inicio/Pausa), se apagará automáticamente después de 5 minutos.

## GUÍA DE CICLOS

**NOTA:** Para proteger su carga de lavado, no todas las opciones y ajustes estarán disponibles para todos los ciclos. Las cajas sombreadas indican los ajustes por defecto para cada ciclo.

\*El ciclo Heavy Duty (Intenso) tiene un nivel de agua predeterminado "Alto" y no se puede cambiar.

CICLO	PRESIONAR EL BOTÓN "WASH CYCLE"	TIPO DE TELA	PROCESO DE LAVADO	TIEMPO EST.	WATER LEVEL (NIVEL DE AGUA)
Normal	0	Telas de algodón, lino y prendas mixtas	Lavado de 13-16 Rinse (Enjuague) Spin (Exprimido)	:35	Medium (Medio)
					High (Alto) Low (Bajo)
Heavy Duty* (Intenso)	1	Telas durables que no destiñen, con suciedad profunda	Lavado de 26-27 Rinse (Enjuague) Spin (Exprimido)	:68	High (Alto)
Quick Wash (Lavado rápido)	2	Telas de algodón, lino y prendas mixtas	Lavado de 5-6 Rinse (Enjuague) Spin (Exprimido)	:21	Medium (Medio)
					High (Alto) Low (Bajo)
Wash Only (Solo lavado)	3	Todos	Lavado		Medium (Medio)
					High (Alto) Low (Bajo)

CICLO	PRESIONAR EL BOTÓN "WASH CYCLE"	TIPO DE TELA	PROCESO DE LAVADO	TIEMPO EST.	WATER LEVEL (NIVEL DE AGUA)
<b>Wash &amp; Rinse (Lavado y enjuague)</b>	4	Todos	Wash (Lavado) Rinse (Enjuague)		Medium (Medio)
					High (Alto) Low (Bajo)
<b>Rinse &amp; Spin (Enjuague y exprimido)</b>	5	Prendas limpias	Rinse (Enjuague) Spin (Exprimido)	:29	Medium (Medio)
					High (Alto) Low (Bajo)
<b>Spin Only (Solo exprimido)</b>	6	Prendas limpias empapadas	Spin (Exprimido)	:06	NC

• El tiempo estimado está basado en un tamaño promedio de carga. El tiempo real variará según la cantidad de prendas que se lavan y otras variables tales como la presión de agua de la línea de suministro.

## USO DE LA LAVADORA

### PASO 1 – PREPARE Y SEPARE LAS PRENDAS

#### PREPARE LAS PRENDAS

- Revise las etiquetas de las prendas para ver las instrucciones de lavado del fabricante.
- Vacíe los bolsillos y vuélvalos al revés.
- Quite los artículos sueltos (alfileres, horquillas, monedas, anillos, aretes, servilletas, etc.) de las prendas para evitar que rayen la canasta de lavado u obstruyan la bomba de desagüe.
- Dé vuelta los puños y quite la pelusa o la suciedad.
- Ate los cordones y fajas de modo que no se enreden.
- Cierre los zípers, broches de presión y corchetes para evitar que se enganchen.
- Trate previamente todas las manchas y las áreas con suciedad profunda.
- Vuelva al revés las prendas sintéticas y los tejidos de lana para evitar que se llenen de motitas.

#### SEPARE LAS PRENDAS

- Separe las prendas según el ciclo de lavado necesario.
- Separe los colores claros de los colores oscuros, los artículos que no destiñen de los que sí destiñen.
- Separe las telas pesadas de las telas ligeras.
- Separe las telas que atraen pelusa de las telas que sueltan pelusa.
- Separe los artículos voluminosos como las frazadas o almohadas.

## PASO 2 – AGREGUE LOS PRODUCTOS PARA EL CUIDADO DE LAS TELAS

### AGREGUE DETERGENTE

- Puede usar detergente líquido o en polvo con esta lavadora. Siga las instrucciones de uso del detergente que aparecen en el recipiente para determinar la cantidad de detergente. Se recomienda usar detergentes líquidos para agua fría.

**NOTA:** La cantidad adecuada de detergente depende del tamaño de la carga, el nivel de suciedad de las prendas y el grado de agua blanda que se suministre a la lavadora.

- Si selecciona el ciclo Quick Wash (Lavado rápido), se recomienda que use detergente líquido de ropa para lograr resultados óptimos. El detergente en polvo puede que no se disuelva lo suficientemente rápido para limpiar bien en este ciclo.

#### Detergente líquido

**NOTA:** Para obtener los mejores resultados, permita que el detergente se mezcle con el agua antes de agregar la ropa.

1. Comience el ciclo de lavado y permita que la canasta de lavado se llene con una cantidad pequeña de agua antes de despachar el detergente líquido.
2. Vierta la cantidad medida de detergente líquido directamente en la canasta de la lavadora.

#### Detergente en polvo

**NOTA:** Para obtener los mejores resultados, agregue detergente a la canasta de lavado antes de agregar la ropa.

1. Comience el ciclo de lavado y permita que la canasta de lavado se llene con una cantidad pequeña de agua. Agregue detergente en polvo directamente en la canasta de lavado.

O BIEN

En un recipiente aparte, disuelva el detergente en polvo en agua tibia y vierta la solución directamente en la canasta de lavado.

**NOTA:** No vierta el detergente en la canasta de lavado sin primero disolverlo en agua. El detergente en polvo sin disolver puede dañar las prendas.

### AGREGUE BLANQUEADOR (SI LO DESEA)

**NOTA:** El blanqueador se debe agregar a la canasta de lavado mientras agrega el detergente.

- Vierta el blanqueador líquido con cloro diluido a la canasta de lavado con agua antes de agregar la ropa.

**IMPORTANTE:** Tenga cuidado de no derramar el blanqueador sin diluir sobre la carcasa de la lavadora ni sobre la ropa. Debido a que es un producto químico poderoso, puede dañar la ropa o el acabado de la lavadora.

- Siga las instrucciones del fabricante detalladas en las etiquetas de las prendas sobre el uso recomendado de blanqueador líquido o en polvo.



## PASO 3 – CARGUE LA LAVADORA

1. Abra la tapa de la lavadora. Cargue las prendas en la canasta de lavado de forma uniforme y suelta para obtener una carga equilibrada.
2. Cierre la tapa de la lavadora.

### NOTAS:

- No cargue en exceso ni apriete los artículos para que quepan en la canasta de lavado. Sobrecargar la lavadora puede reducir la eficiencia de lavado, causar desgaste excesivo y posiblemente, ocasionar pliegues o arrugas en la carga.
- La lavadora no agitará ni exprimirá con la tapa abierta.

## PASO 4 – PONGA LA LAVADORA EN MARCHA

1. Toque el botón POWER (Encendido) para encender la lavadora.
2. Seleccione un ciclo de lavado.
3. Modifique los ajustes y las opciones por defecto, si lo desea.
4. Presione el botón INICIO/PAUSA para comenzar el ciclo de lavado.

## CUIDADO DE LA LAVADORA

### ⚠ ADVERTENCIA



#### Peligro de choque eléctrico

Desconecte el suministro de energía antes de limpiarlo.

No seguir esta instrucción puede ocasionar la muerte o choque eléctrico.

## LIMPIEZA Y MANTENIMIENTO

- Desenchufe o desconecte el suministro de energía.
- Utilice solamente un paño húmedo o jabonoso para limpiar el panel de control.
- Si derrama suavizante, blanqueador o detergente líquido o en polvo sobre la carcasa, límpiela inmediatamente con un paño húmedo para evitar daños en el acabado.
- No use productos de limpieza abrasivos, productos químicos irritantes, amoníaco, blanqueador con cloro, detergente concentrado o solventes para limpiar la lavadora. Estos productos químicos pueden disolver, dañar o decolorar la lavadora.
- Luego de lavar la ropa, deje la puerta abierta para que se evapore la humedad del interior de la máquina y así evitar que se forme moho.

## PRECAUCIONES AL IRSE DE VACACIONES

- Desenchufe o desconecte el suministro de energía.
- Cierre el grifo de suministro de agua. Esto eliminará la posibilidad de daños a su hogar si hay rupturas o fugas en la manguera.
- Seque la canasta de lavado.
- Deje la puerta abierta para que se evapore la humedad del interior de la máquina y así evitar que se forme moho.

## PREPARACIÓN PARA LA MUDANZA O EL ALMACENAJE

Aparte de seguir las "Precauciones al irse de vacaciones", complete los pasos adicionales indicados a continuación.

- Desenchufe o desconecte el suministro de energía.
- Desconecte la manguera de agua y la manguera de desagüe; colóquelas en la canasta de lavado.
- Gire las patas niveladoras para que queden replegadas completamente dentro de la carcasa de la lavadora.
- Si va a mover la lavadora, coloque el soporte de la canasta de lavado de los materiales originales de envío nuevamente en el interior de la parte superior de la abertura de la lavadora. Asegure la tapa de la lavadora con cinta adhesiva protectora.
- Mueva la lavadora y guárdela solamente en la posición vertical.
- No guarde la lavadora en un ambiente frío en donde las temperaturas estarán por debajo del punto de congelación; guárdela a temperatura ambiente.

# CÓMO VOLVER A INSTALAR O USAR LA LAVADORA NUEVAMENTE

## ! ADVERTENCIA



### Peligro de Choque Eléctrico

Conecte a un contacto de pared de conexión a tierra de 3 terminales.

No quite el terminal de conexión a tierra del cable de alimentación.

No use un adaptador.

No use un cable eléctrico de extensión.

No seguir estas instrucciones puede ocasionar la muerte, incendio o choque eléctrico.

### Para volver a instalar la lavadora después de periodos de desuso, vacaciones, almacenamiento durante el invierno o mudanza:

1. Consulte las Instrucciones de instalación para ubicar, nivelar y conectar la lavadora.

### Para volver a usar la lavadora:

Antes de usar la lavadora nuevamente, póngala a funcionar siguiendo el procedimiento recomendado a continuación:

1. Deje correr el agua por los tubos y las mangueras. Vuelva a conectar las mangueras de entrada de agua. Abra ambos grifos de agua.
2. Enchufe la lavadora o vuelva a conectar el suministro de energía.
3. Ponga a funcionar la lavadora en Wash Cycle (Ciclo de lavado) para limpiarla y quitar el anticongelante, en caso de haberlo usado.

**NOTA:** Use solamente un detergente de alto rendimiento (HE). Use la mitad de la cantidad recomendada por el fabricante para una carga mediana.

## SOLUCIÓN DE PROBLEMAS

Pruebe las soluciones sugeridas aquí y posiblemente se evite el gasto de una visita de servicio técnico.

### FUNCIONAMIENTO

PROBLEMA	POSIBLE(S) CAUSA(S)	SOLUCIÓN
<b>La lavadora no funciona</b>	No está conectado el suministro eléctrico a la lavadora.	Conecte el cable eléctrico a un tomacorriente de pared de 3 terminales con conexión a tierra.
	Se disparó el cortacircuitos o se quemó un fusible	Reemplace/encienda el cortacircuitos o cambie el fusible.
	La lavadora está sobrecargada o la carga de lavado no está equilibrada.	Es posible que haya que quitar o redistribuir la ropa para volver a equilibrar la carga.
	Se seleccionó el ciclo Delicate (Ropa delicada).	La lavadora hace pausas en algunos ciclos para que se remoje la ropa. La lavadora volverá a ponerse en marcha automáticamente cuando se termine el tiempo de remojo.
	La tapa de la lavadora está abierta.	Cierre la tapa de la lavadora.
<b>La tapa de la lavadora no se abre</b>	La tapa de la lavadora está bloqueada.	Presione Start/Pause (Inicio/Pausa) para detener la lavadora. Puede tardar algunos segundos en desbloquearse la puerta.

### AGUA

PROBLEMA	POSIBLE(S) CAUSA(S)	SOLUCIÓN
<b>El flujo de agua está lento o el llenado demora mucho tiempo</b>	Los grifos de entrada de agua no están abiertos por completo.	Asegúrese de que los grifos de agua estén abiertos por completo.
	La manguera de llenado de agua está retorcida.	Asegúrese de que las mangueras de agua no estén enredadas, retorcidas ni aplastadas.
<b>La temperatura del agua está demasiado caliente o fría</b>	La temperatura del calentador de agua no está ajustada correctamente.	El agua caliente deberá estar a una temperatura de por lo menos 120 °F a 140 °F (49 °C a 60 °C).
	Las mangueras de entrada de agua no están conectadas correctamente.	Asegúrese de que las mangueras de entrada estén conectadas como es debido (caliente con caliente, fría con fría).

<b>Fugas de agua</b>	Las conexiones de las mangueras de agua no están ajustadas.	Asegúrese de que estén ajustadas las conexiones de las mangueras de entrada en los grifos y la lavadora.
	La conexión de la manguera de desagüe no está firme o la manguera no está ubicada correctamente en el desagüe.	Asegúrese de que la conexión de la manguera de desagüe en la lavadora esté firme y que la manguera de desagüe esté colocada correctamente en la ubicación del desagüe.
	Fugas de agua no determinadas	Llame a un plomero competente.
<b>La lavadora no desagua</b>	La manguera de desagüe no está conectada correctamente a la lavadora.	Vuelva a conectar la manguera de desagüe a la lavadora.
	La manguera de desagüe no está ubicada correctamente.	Para que funcione como es debido, la parte superior de la salida de desagüe deberá estar por lo menos 39" (99 cm) por encima del piso.
	El fregadero o el tubo de desagüe están obstruidos.	Destape el fregadero o el tubo de desagüe.

## RUIDO

PROBLEMA	POSIBLE(S) CAUSA(S)	SOLUCIÓN
Sonido de golpeteo	Es posible que la carga de ropa no esté equilibrada.	Haga una pausa en la lavadora y vuelva a distribuir las prendas en la canasta de lavado.
Sonido metálico o de traqueteo	Es posible que haya objetos extraños en la lavadora.	Detenga la lavadora y compruebe que no haya monedas ni llaves.
Chirrido	La lavadora puede estar sobrecargada.	Detenga la lavadora y quite una parte de la carga de lavado.
Vibración	Es posible que la lavadora no esté nivelada.	Verifique que las 4 patas estén firmemente apoyadas en el piso y que la lavadora esté nivelada.

## ROPA

PROBLEMA	POSIBLE(S) CAUSA(S)	SOLUCIÓN
<b>Arrugas</b>	Separación incorrecta de la carga de lavado, sobrecarga o lavado a la temperatura equivocada.	Evite sobrecargar la lavadora y no mezcle la ropa pesada con prendas ligeras o delicadas.
<b>Restos de detergente</b>	Es posible que el detergente no se disuelva por completo en el agua extremadamente fría.	Seleccione una temperatura tibia de lavado y asegúrese de que el calentador de agua suministre agua caliente a por lo menos 120 °F (49 °C).
<b>Las prendas se han puesto grisáceas o amarillentas</b>	No se separó la carga de lavado por color.	Separe los colores oscuros de los claros y blancos para evitar que se tiñan.
	No usó suficiente detergente o el nivel de suciedad de la carga de lavado requiere una temperatura de lavado más elevada.	Es posible que las cargas grandes y con mucha suciedad necesiten más detergente y agua más caliente. Consulte las instrucciones del fabricante del detergente para conocer el uso recomendado.
<b>Ropa rota o enganchada</b>	No se preparó la carga de lavado.	Ate los cordones y fajas. Vacíe los bolsillos, cierre las cremalleras, sujete las correas y cierre los ganchos de metal o sujetadores con gancho antes de cargar.
<b>Manchas de blanqueador</b>  <b>NOTA:</b> Es posible que las manchas de blanqueador luzcan como puntos decolorados	La ropa tiene contacto directo con el blanqueador.	No vierta ni salpique el blanqueador directamente sobre la ropa. Si usa el depósito y aún ve manchas, pruebe usando blanqueador diluido.
<b>La ropa parece más vieja y gastada</b>	Se está usando un ciclo de lavado incorrecto o la temperatura de agua equivocada.	Siga las instrucciones de cuidado del fabricante de la prenda.

**SI NECESITA MÁS AYUDA, VISITE [HAIER.COM](http://HAIER.COM) O COMUNÍQUESE CON LA LÍNEA DE AYUDA AL CONSUMIDOR LLAMANDO AL 1-877-377-3639.**

# GARANTÍA LIMITADA

## SERVICIO EN EL HOGAR

### GARANTÍA COMPLETA POR UN AÑO

Durante 12 meses a partir de la fecha de compra original en la tienda, Haier reparará o reemplazará cualquier pieza del aparato sin costo, incluyendo la mano de obra, si la misma falla debido a defectos en los materiales o en la mano de obra.

Haier puede reemplazar o reparar, a su sola discreción, cualquier pieza, subsistema, incluso el producto entero.

El producto debe ser accesible, sin inconvenientes, e instalarse de forma adecuada para recibir el servicio técnico de reparación por parte de la garantía.

### GARANTÍA LIMITADA

Después de un año a partir de la fecha de compra original en la tienda, Haier proveerá una pieza sin costo, como se indica a continuación, para reemplazar la pieza mencionada como resultado de defectos en los materiales o en la mano de obra. Haier se hará responsable solamente por el costo de la pieza. Cualquier otro costo tales como la mano de obra, los cargos por viaje, etc., serán responsabilidad del propietario.

#### Del segundo al quinto año

Haier proveerá la tina exterior de lavado y las piezas de ensamblaje relacionadas con la misma si ésta no logra contener el agua.

#### Del segundo al séptimo año

Haier proveerá la canasta interior de lavado de acero inoxidable si presentara defectos en los materiales o en la mano de obra.

**NOTA:** Esta garantía comienza en la fecha de compra de este producto, y el recibo original deberá presentarse al representante autorizado de servicio antes de hacerse las reparaciones bajo la garantía.

**Excepciones:** Garantía bajo uso de alquiler

**90 días en la mano de obra a partir de la fecha de compra original**

**90 días en las piezas a partir de la fecha de compra original**

**No es aplicable ninguna otra garantía.**

### PARA OBTENER SERVICIO BAJO LA GARANTÍA

Póngase en contacto con el centro de servicio autorizado más cercano a su localidad. Todo servicio deberá ser realizado por un centro de servicio autorizado por Haier. Para obtener el nombre y el número de teléfono del centro de servicio autorizado más cercano, llame al 1-877-337-3639.

Antes de llamar, tenga a mano la siguiente información:

Número de modelo y de serie del aparato. El nombre y la dirección del distribuidor en donde compró la unidad y la fecha de compra.

Una descripción clara del problema.

Un comprobante de compra (recibo de compra).

**Esta garantía cubre servicios para electrodomésticos dentro de los Estados Unidos continental y Canadá y donde esté disponible en Alaska, Hawaii y Puerto Rico. Lo que no está cubierto bajo esta garantía:**

Reemplazo o reparación de fusibles domésticos, cortacircuitos, cableado o plomería.

Un producto cuyo número de serie original haya sido removido o alterado.

Cualquier cargo por servicio que no haya sido identificado específicamente como servicio normal, como puede ser el área o las horas de servicio.

Daños a la ropa.

Daños ocurridos durante el transporte.

Daños ocasionados por la instalación o el mantenimiento inadecuados.

Daños por el uso incorrecto, abuso, accidente, incendio, inundación o fenómenos de la naturaleza.

Daños debidos al servicio efectuado por un distribuidor o centro de servicio que sea diferente del autorizado por Haier.

Daños ocasionados por la corriente, el voltaje o el suministro eléctrico incorrectos.

Daños que resulten de cualquier modificación hecha en el producto, alteración o ajustes no autorizados por Haier.

Ajuste de los controles manejados por el cliente según han sido identificados en el manual del propietario.

Mangueras, perillas, bandejas de pelusa y todos los otros aditamentos, accesorios y piezas desechables.

Cargos por mano de obra, transporte para el servicio y envío para la remoción y el reemplazo de las piezas defectuosas que se efectúen después del periodo inicial de 12 meses.

Daños ocasionados por un uso diferente al doméstico normal.

Cualquier gasto de transporte y de envío.

**ESTA GARANTÍA LIMITADA REEMPLAZA TODAS LAS OTRAS GARANTÍAS, EXPRESAS O IMPLÍCITAS QUE INCLUYAN, ENTRE OTRAS, LAS GARANTÍAS DE COMERCIABILIDAD O DE CAPACIDAD PARA UN PROPÓSITO EN PARTICULAR**

El recurso provisto en esta garantía es exclusivo y está otorgado en lugar de cualquier otro recurso.

Esta garantía no cubre daños incidentales o consecuentes, de modo que las limitaciones indicadas anteriormente pueden no aplicarse en su caso. Algunos estados no permiten las limitaciones acerca de cuánto tiempo dura una garantía implícita, de modo que las limitaciones arriba indicadas quizás no le correspondan.

Esta garantía le otorga derechos legales específicos, y es posible que usted tenga otros derechos, los cuales varían de un estado a otro.

Haier America  
Wayne, NJ 07470

# IMPORTANT

Do Not Return This Product To The Store  
If you have a problem with this product, please contact the  
"Haier Customer Satisfaction Center" at  
1-877-337-3639.

DATED PROOF OF PURCHASE, MODEL #, AND SERIAL #  
REQUIRED FOR WARRANTY SERVICE

# IMPORTANT

Ne pas Réexpédier ce Produit au Magasin  
Pour tout problème concernant ce produit, veuillez contacter  
le service des consommateurs "Haier Customer Satisfaction Center" au  
1-877-337-3639.

UNE PREUVE D'ACHAT DATEE EST REQUISE POUR BENEFICIER DE LA GARANTIE.

# IMPORTANTE

No regrese este producto a la tienda  
Si tiene algún problema con este producto, por favor contacte el  
"Centro de Servicio al Consumidor de Haier" al  
1-877-337-3639 (Válido solo en E.U.A).  
NECESITA UNA PRUEBA DE COMPRA FECHADA, NÚMERO DE MODELO  
Y DE SERIE PARA EL SERVICIO DE LA GARANTÍA

Made in China  
Fabriqué en Chine  
Hecho en China

# Haier

Haier America  
Wayne, NJ 07470

HLP21N  
Issued: July 2015

Printed in China

Part # 00XXXXXXXXXX