

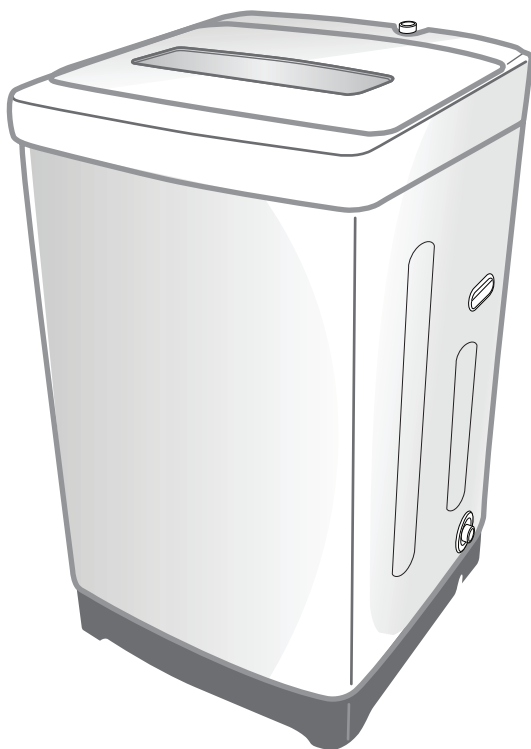
Haier

User Manual
Guide de l'utilisateur
Manual del usuario
HLP24E

Top-Load Compact Clothes Washer

Laveuse compacte à chargement par le haut

Lavadora compacta de carga superior



**Designed for
High-Efficiency;
use HE detergent.**

**Conçue pour
haute efficacité;
utiliser un
détergent HE.**

**Diseñada para un
alta eficiencia; use
detergente HE
(Alta eficiencia).**

TABLE OF CONTENTS

IMPORTANT SAFETY INSTRUCTIONS	2
Installation Safety Precautions	2
General Safety Precautions	3
PARTS AND FEATURES	4
INSTALLATION INSTRUCTIONS	5
Tools Needed	5
Parts Supplied	5
Location Requirements	5
Drain System Requirements	6
Electrical Requirements	7
STEP BY STEP INSTRUCTIONS	8
Step 1 - Unpack the Washer	8
Step 2 - Connect and Secure the Drain Hose	9
Step 3 - Connect the Water Hose	9
Step 4 - Level the Washer	11
Step 5 - Complete Installation	11
CONTROL PANEL AND FEATURES	12
OPERATING INSTRUCTIONS	15
Step 1 - Prepare and Sort Laundry	15
Step 2 - Add Fabric Care Products	16
Step 3 - Load the Washer	17
Step 4 - Start the Washer	17
CARE AND CLEANING GUIDE	18
Cleaning and Maintenance	18
Vacationing Precautions	19
Moving or Storage Preparation	19
TROUBLESHOOTING	20
LIMITED WARRANTY	22

RECORD KEEPING

Thank you for purchasing this Haier product. This user manual will help you get the best performance from your new washer.

For future reference, record the model and serial number located on back of the washer, and the date of purchase.

Staple your proof of purchase to this manual to aid in obtaining warranty service if needed.

Model number

Serial number

Date of purchase

IMPORTANT SAFETY INSTRUCTIONS

WARNING

To reduce the risk of fire, electric shock, or injury to persons when using your appliance, follow the basic precautions, including the following:

- Read all of the instructions before using this appliance.
- Use this appliance only for its intended purpose as described in this user manual.
- Do not use the washer for commercial clothes washing.
- This washer has only one water inlet hose for filling the wash basket with either cold or warm water. Water warmer than 77°F (25°C) temperature cannot be used in this washer.

INSTALLATION SAFETY PRECAUTIONS

DANGER

Before you throw away your old appliance, remove the door or lid so that children cannot hide or get trapped inside your old appliance.

- This appliance must be properly installed and located in accordance with the installation instructions before it is used.
- Do not store or install this appliance where it will be exposed to temperatures below freezing or exposed to weather, which can cause damage to the appliance.
- The appliance must be properly grounded to conform with all electrical codes and ordinances. See “Electrical Requirements” section.

GENERAL SAFETY PRECAUTIONS

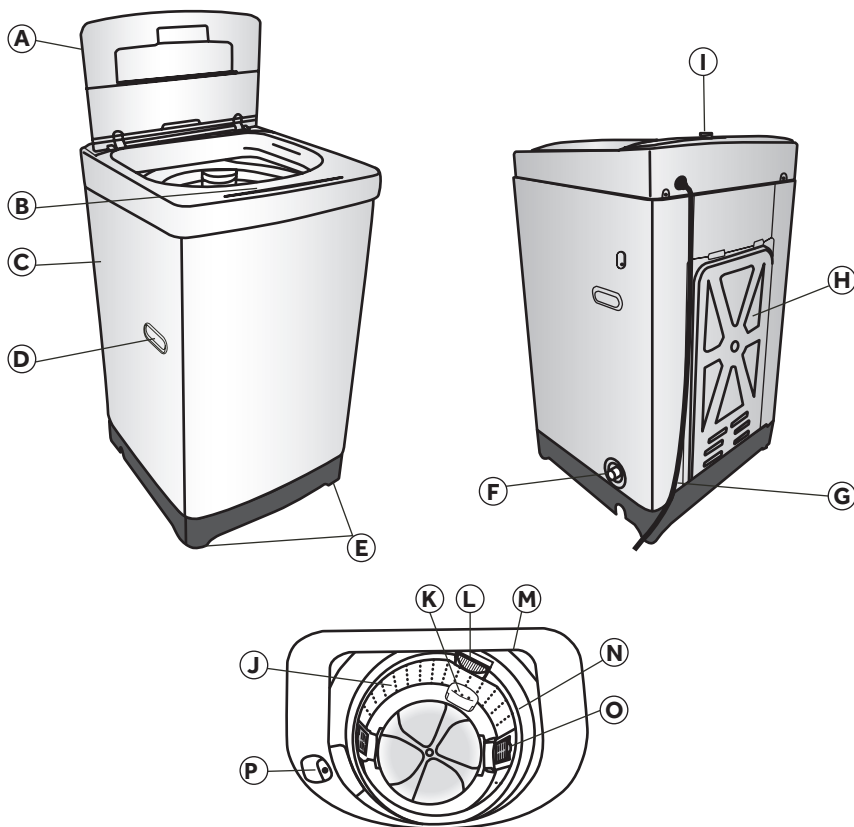
- Keep the area around your appliance free from combustible materials such as lint, paper, rags or chemicals.
- Close supervision is necessary if this appliance is used by or near children. Do not allow children to play on, with, or inside this appliance.
- Do not place articles that have been previously cleaned in, washed in, soaked in, or spotted with gasoline, dry-cleaning solvents or other flammable or explosive substances in the wash water. These substances give off vapors that could ignite or explode.
- Do not add gasoline, dry-cleaning solvents, or other flammable or explosive substances to the wash water. These substances give off vapors that could ignite or explode.
- Do not reach into the appliance if the wash basket, tub or agitator is moving.
- Do not tamper with the controls.
- Never unplug your washer by pulling on the power cord. Always grasp the plug firmly and pull straight out from the outlet.
- To minimize the possibility of electric shock, unplug this appliance from the power supply before attempting any maintenance or cleaning.

NOTE: Turning the cycle selector knob to the “Off” position does NOT disconnect the appliance from the power supply.

- Do not attempt to service, repair or replace any part of the appliance unless specifically recommended in this user manual or in published repair instructions that you understand and have the skills to carry out.
- Before discarding or removing from service, remove the washer door or lid.

SAVE THESE INSTRUCTIONS HOUSEHOLD USE ONLY

PARTS AND FEATURES



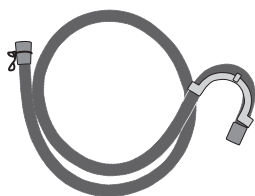
- | | |
|---|---------------------------------------|
| (A) Top Lid | (I) Water Inlet Valve |
| (B) Control Panel | (J) Wash Basket |
| (C) Cabinet | (K) Power Jet |
| (D) Cabinet Handle | (L) Liquid Detergent Dispenser |
| (E) Leveling Feet (2) | (M) Outer Tub Cover |
| (F) Drain Port | (N) Balance Ring |
| (G) Power Cord (120 Volt/ 60 Hz) | (O) Lint Filter |
| (H) Access Panel | (P) Liquid Bleach Dispenser |

INSTALLATION INSTRUCTIONS

TOOLS NEEDED

- Pliers
- Wrench
- Flat-blade Screwdriver
- Measuring Tape
- Carpenter's Level

PARTS SUPPLIED



- Drain Hose Clamp
- Drain Hose Hook
- Drain Hose



- Water Hose (flat washers pre-installed)
- User Manual

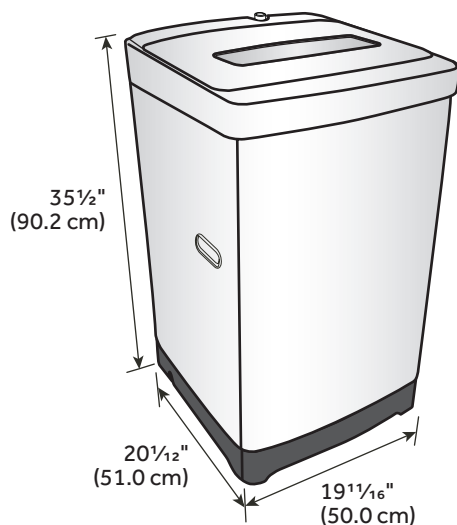
LOCATION REQUIREMENTS

- The washer must be installed on a solid floor to minimize vibration during the spin cycle. A concrete floor is best.
- The floor should be level with maximum slope of 1" (25 mm) under entire washer.
- A suitable location is protected from direct sunlight and heat sources such as radiators, baseboard heaters, or cooking appliances.
- Do not install on carpeting.
- The location must have a grounded electrical outlet located within 4 ft. (1.2 m) of power cord on the back of the washer.
- Water faucet must be present within 3 ft. (0.9 m) of the connection on the washer.
- Only connect to cold water tap (faucet).
- The water pressure should be between 20 and 100 psi (138 and 690 kPa).

! WARNING

Do not install or operate the washer where it will be exposed to temperatures below 32°F (0°C). Water remaining in the washer will freeze and cause damage to the washer.

WASHER DIMENSIONS

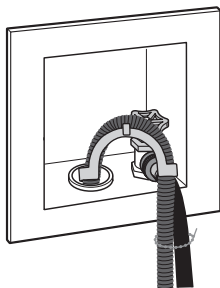


DRAIN SYSTEM REQUIREMENTS

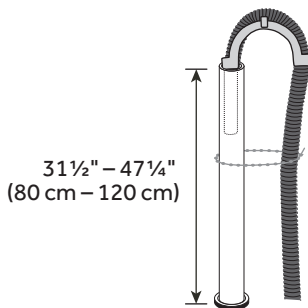
WALL OR FLOOR STANDPIPE

The height of the standpipe must be between 31½" (80 cm) and 47¼" (120 cm) from the bottom of the washer. The minimum diameter of the standpipe must be 2" (5 cm).

Wall



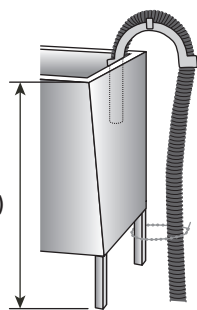
Floor



LAUNDRY TUB

The laundry tub must have a minimum capacity of 20 gal. (76 L). The height of the laundry tub must be at least 31½" (80 cm) and no more than 47¼" (120 cm).

31½" – 47¼"
(80 cm – 120 cm)



ELECTRICAL REQUIREMENTS

⚠ WARNING

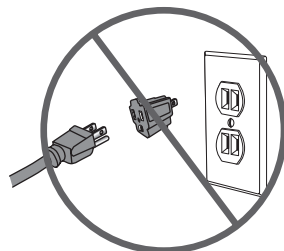
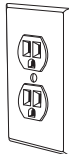
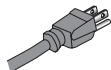
The washer must be connected to a properly grounded 120 volt, 60 Hz., AC only, 15- or 20-amp, fused electrical supply. A time-delay fuse or circuit breaker is recommended.

- If the electric supply provided does not meet the above requirements, contact a licensed electrician.

⚠ WARNING

Improper connection of the equipment-grounding conductor can result in a risk of electric shock. Check with a qualified electrician or serviceman if you are in doubt as to whether the appliance is properly grounded.

- This appliance must be grounded. In the event of malfunction or breakdown, grounding will reduce the risk of electric shock by providing a path of least resistance for electric current.
- This appliance is equipped with a cord having an equipment-grounding conductor and a grounding plug. The plug must be plugged into an appropriate outlet that is properly installed and grounded in accordance with all local codes and ordinances.
- Do not use a 3 prong plug adapter.
- Do not use an extension cord.



STEP BY STEP INSTRUCTIONS

INSTALLING YOUR WASHER

We recommend that your new washer be installed by a qualified appliance technician. If you feel that you have the skills to install the washer, please read the installation instructions carefully before installing.

CAUTION: If, after completing these steps, you are unsure that the washer is properly installed, contact a qualified appliance technician.

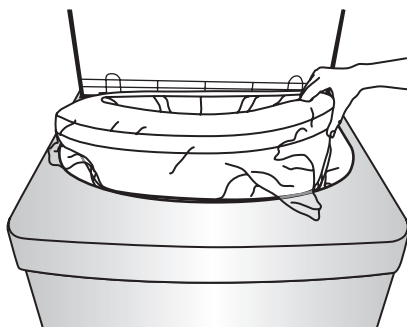
⚠ WARNING

If your washer was just delivered and the outside temperature was below freezing, do not operate until the washer warms up to room temperature.

STEP 1 - UNPACK THE WASHER

1. Remove all packing materials. This includes the foam base and all adhesive tape holding the washer accessories inside and outside.
2. Open the top lid to remove the wash basket brace. Pull to remove.

NOTE: Save the wash basket brace to use when moving the washer in the future.



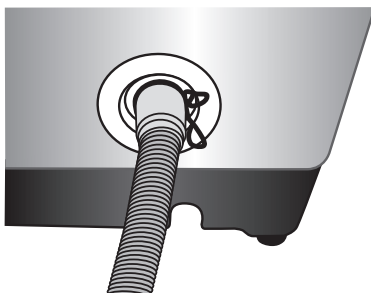
3. Inspect and remove any remains of packing, tape or printed materials before using the washer.

⚠ WARNING

To avoid danger of suffocation, keep plastic bag and other packing material away from babies and children. Do not use this bag in cribs, carriages and playpens. The plastic bag could block nose and mouth and prevent breathing. This bag is not a toy.

STEP 2 - CONNECT AND SECURE THE DRAIN HOSE

1. Enlarge the opening by squeezing the ends of the drain hose clamp together. Slide the clamp over the end of the drain hose, and onto the flexible section of the hose.
2. Fit the end of the drain hose over the plastic drain port extending from the washer.
3. Squeeze the ends of the clamp to enlarge the opening and slide the clamp over the connection of the drain hose and drain port. Release the clamp to tighten.
4. Put the drain hose hook end in a drain pipe or laundry tub.
5. Secure the drain hose in place by fastening it to a water hose, the standpipe, or a leg on the laundry tub. See "Drain System Requirements" for illustrations.

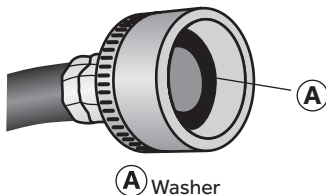


STEP 3 - CONNECT THE WATER HOSE

IMPORTANT: Only use a new hose when installing the washer.

NOTE: Periodically inspect hose for cracks, cuts, leaks or wear. Replace with new hose every 5 years.

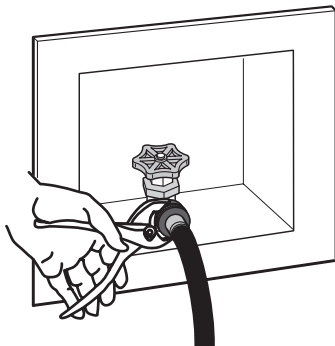
1. Check that a flat washer is present and firmly in place in each end of the water inlet hose. Flat washers are pre-installed at the factory.



2. Thread the inlet hose onto the water faucet by hand until snug. Then using pliers, tighten an additional two-thirds turn.

IMPORTANT: To avoid damage to the hose coupling, do not overtighten.

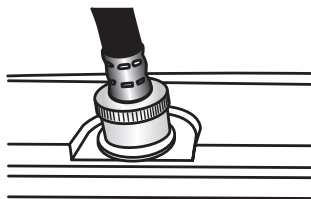
NOTE: To avoid damage to the faucet do not use plumber's tape or sealants on the valve threads.



3. Thread the other end of the inlet hose by hand onto the inlet valve on the back of the washer until snug. Then using pliers, tighten an additional two-thirds turn.

IMPORTANT: To avoid damage to the hose coupling, do not overtighten.

NOTE: To avoid damage to the washer inlet valve, do not use plumber's tape or sealants on the valve threads.

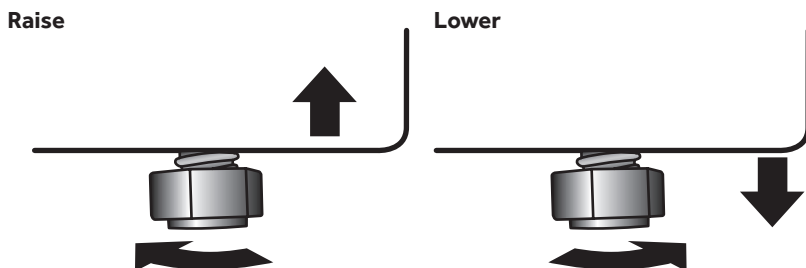


4. Turn on the water faucet and check for leaks. If there is any leaking, check steps 1 through 3 again.

STEP 4 - LEVEL THE WASHER

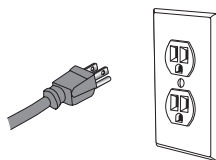
IMPORTANT: Proper leveling of the washer will help reduce noise and vibration.

1. Place washer in its final location. Check that the water and drain lines are not strained or pinched. Make sure that all four feet are firmly in contact with the floor and that the washer rests solidly in position.
2. Using a carpenter's level, check to make sure the washer is level from side to side and from front to back.
3. If the washer is not level, adjust the leveling feet. Turn clockwise to extend (raise the washer) or counterclockwise to retract (lower the washer).



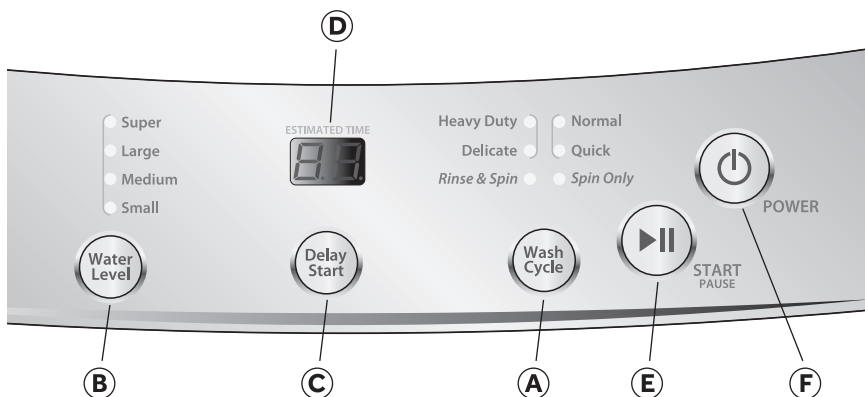
STEP 5 - COMPLETE INSTALLATION

1. Plug the washer into a grounded 3 prong outlet.
2. Check that water faucet is turned on.
3. Dispose of/recycle all packaging materials.
4. Run a normal wash cycle using detergent to test and clean the washer. See the "Operating Instructions" section.



CONTROL PANEL AND FEATURES

CONTROL PANEL



A WASH CYCLE BUTTON

- Use this button to select the desired cycle for your wash load.
- The standard default settings of each cycle will be displayed; the default settings can be changed by using the Setting button - Water Level.
- There are 6 cycles to choose from:

Heavy Duty - Use this cycle for heavily soiled durable garments. This cycle can also be used for towels, sports gear, children's clothes, etc.

Normal - Use this cycle for normally soiled cottons and mixed fabric loads.

Delicate - Use this cycle to wash lightly soiled garments and delicate clothes that need gentle washing.

Quick - Use this cycle to wash small, lightly soiled loads that are needed in a hurry.

Rinse & Spin - Use this cycle to remove excess detergent from laundry and to refresh clean garments.

NOTE: Running this cycle with an empty wash basket, can cause water to escape from the tub which may damage your floor.

Spin Only - Use this cycle to extract water from sink washed or clean wet garments.

B SETTING BUTTON

Water Level Button

- Use this button to select an appropriate water level for your load. Small is the lowest water level and Super is the highest.

C DELAY START BUTTON

- Press this button to delay the start of your wash cycle between 1 - 24 hours in one hour increments.
- Use this button to select a delayed start of the washer. The number of hours will be shown in the Estimated Time Remaining Display. Each press of the Delay Start Button will increase the time by 1 hour.
- One button press after 24 will cancel the Delay Start feature. You can also cancel the Delay Start feature by turning off power to the washer with the POWER Button.
- The START/PAUSE Button must be selected to begin the countdown.

D ESTIMATED TIME REMAINING DISPLAY

- The Estimated Time Remaining Display shows the estimated cycle time in minutes.
- When the Delay Start option is being used, the Estimated Time Remaining Display will show the delay time in hours.

E START/PAUSE BUTTON

- Press this button to start a selected cycle or to pause an operating cycle.

NOTE: After starting the wash cycle, you must pause the operating cycle to change the Water Level setting.

F POWER BUTTON

- Press the POWER button to turn on the washer.

NOTE: If the washer is turned on, but START/PAUSE is not pressed, the power will automatically turn off after 5 minutes.

CYCLE GUIDE

NOTE: To protect your wash load, all options and settings are not available for all cycles. The shaded boxes indicate the default settings for each cycle.

CYCLE	FABRIC TYPE	WASH PROCESS	EST TIME	WATER LEVEL
Heavy Duty	Heavily soiled, durable colorfast fabrics	10 Min Soak 25 Min Wash Rinse Spin	:59	Medium
				Super Large Small
Normal	Cottons, linens and mixed garments	16 Min Wash Spray Rinse Spin	:31	Medium
				Super Large Small
Delicate	Lingerie, sheer fabrics with lace trim	10 Min Wash Rinse Spin	:26	Medium
				Super Large Small
Quick	Cottons, linens and mixed garments	9 Min Wash Rinse Spin	:23	Medium
				Super Large Small
Rinse & Spin	Unsoiled garments	Rinse Spin	:17	Medium
				Super Large Small
Spin Only	Clean, soaking wet garments	Spin	:06	n/a

OPERATING INSTRUCTIONS

STEP 1 - PREPARE AND SORT LAUNDRY

PREPARE LAUNDRY

- Check garment labels for manufacturer's washing instructions.
- Empty pockets and turn them inside out.
- Turn down cuffs and remove any lint or dirt.
- Tie strings and sashes so they don't tangle.
- Close zippers, snaps and hooks to avoid snagging.
- Remove pins or other sharp objects from clothes to prevent scratching of the wash basket.
- Pretreat all stains and heavily soiled areas.
- Turn synthetic and wool knits inside out to avoid pilling.

SORT LAUNDRY

- Sort laundry by the type of wash cycle required.
- Separate light colors from dark colors and colorfast items from non-colorfast items.
- Separate heavy duty fabrics from light weight fabrics.
- Separate fabrics that attract lint from fabrics that give off lint.
- Separate bulky items such as blankets or pillows.

STEP 2 - ADD FABRIC CARE PRODUCTS

ADD DETERGENT

- You may use either liquid or powder detergent in the washer. Follow the detergent use instructions on the container to determine the amount of detergent.

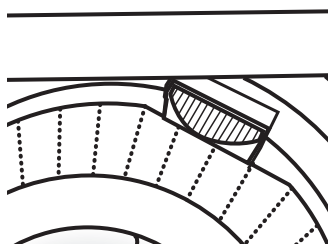
NOTE: The proper amount of detergent depends on the size of the load, the soil level of the clothes, and the softness of the water being supplied to the washer.

- If you select the Quick cycle, it is recommended that you use a liquid laundry detergent to achieve optimum results. Powdered detergent may not dissolve fast enough to clean well in this cycle.

Liquid Detergent

NOTE: For best results allow the liquid detergent to mix with the water before adding laundry.

- Start wash cycle and allow the wash basket to fill with a small amount of water before dispensing liquid detergent.
- Pour measured liquid detergent directly into the detergent dispenser.



Powdered Detergent

NOTE: For best results, add the detergent to the wash basket before adding laundry.

- Start wash cycle and allow the wash basket to fill with a small amount of water. Add powdered detergent directly into the wash basket.

OR

In a separate container, dissolve powdered detergent in warm water and pour the solution directly into the wash basket.

NOTE: Do not pour detergent into the wash basket without first dissolving it in water. Undissolved powdered detergent may damage clothes.

ADD BLEACH (IF DESIRED)

NOTE: Bleach should be added to the bleach dispenser at the same time as you add the detergent.

- Pour measured liquid chlorine bleach into the liquid chlorine bleach dispenser.

NOTE: Use only liquid bleach in this dispenser.

- The bleach flows immediately from the dispenser into the space between the inner and outer tubs. It is then evenly distributed throughout the laundry for best results.

IMPORTANT: Be careful not to spill undiluted bleach onto the washer cabinet or your clothes. Since it is a strong chemical, it may damage clothes or the finish of the washer.



- Follow manufacturer's directions on garment label for recommended use of liquid or powder bleach.

STEP 3 - LOAD THE WASHER

1. Open the washer lid. Load laundry evenly and loosely in the wash basket for a balanced load.
2. Close the washer lid.

NOTES:

- Do not overload or stuff items into the wash basket. Overloading may reduce wash efficiency, cause excess wear and possibly cause creasing or wrinkling of the load.
- The washer will not pulsate or spin with the lid open.

STEP 4 - START THE WASHER

1. Press the POWER button to turn the washer on.
2. Select a wash cycle.
3. Modify the default settings and options if desired.
4. Press the START/PAUSE button to start the wash cycle.

CARE AND CLEANING GUIDE

⚠ WARNING

Always unplug your washer to avoid electric shock before cleaning.

Ignoring this warning may result in death or injury.

Before using cleaning products, always read and follow manufacturer's instructions and warnings to avoid personal injury or product damage.

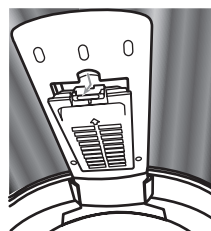
CLEANING AND MAINTENANCE

GENERAL CARE

- Only use a damp or sudsy cloth for cleaning the control panel.
- If you spill liquid/powdered softener, bleach or detergent on the cabinet, wipe the cabinet immediately to avoid damage to the finish.
- Do not use abrasive cleansers, harsh chemicals, ammonia, chlorine bleach, concentrated detergent, or solvents to clean the washer. These chemicals may dissolve, damage, or discolor the washer.
- After washing clothes, leave the lid open so that moisture inside the machine can evaporate and to prevent the growth of mold or mildew.

LINT FILTER

1. Push down on the tab at the top of the filter to release the filter from the wash basket.
2. Turn the filter over so the back side of the filter is facing upward.
3. While holding the filter firmly with one hand, lift up on the bottom of the filter to separate the front of the filter from the back, so you can access the filter screen.
4. Clean the filter screen and replace the back of the filter.
5. Slide the filter into the wash basket and firmly press it into place.



IMPORTANT: Both lint filters must be in place during the wash cycles. Clean the lint screens after each wash load.

VACATIONING PRECAUTIONS

- Turn off the water supply faucet. This will eliminate the potential for damage to your home if a water hose ruptures or leaks.
- Unplug the washer from the electrical outlet.
- Dry the wash basket.
- Leave the lid open so that moisture inside the machine can evaporate and to prevent the growth of mold or mildew.

MOVING OR STORAGE PREPARATION

In addition to performing the "Vacationing Precautions," complete the following additional steps.

- Disconnect the water hose and the drain hose and place them into the wash basket.
- Turn the leveling feet so that they are fully retracted into the washer cabinet.
- If moving the washer, place the wash basket brace from the original packing materials back into the top of the washer opening. Use masking tape to secure the washer lid.
- Move and store your washer in an upright position only.
- Do not store your washer in a cold environment where temperatures fall below freezing; store at room temperature.

TROUBLESHOOTING

WASHER DOES NOT OPERATE

- Check that the power cord is plugged into a grounded 3 prong outlet.
- Check that the electrical wall receptacle is of proper voltage.
- Check if the circuit breaker needs to be reset or if the fuse needs to be replaced.
- Check that the washer is not overloaded. Laundry may need to be redistributed to re-balance the load.
- Check that the washer lid is properly closed.
- The washer pauses in some cycles. This is normal in the Delicate cycle, which has short periods for laundry to soak. You will not hear the washer operating during that period of time. When the soak time ends, the washer will restart automatically.

PROBLEMS WITH WATER

Water flow is slow or filling takes a long time:

- Check to make sure that the water faucet is fully turned on.
- Check the water hose to make sure that it is not tangled, kinked, or pinched.

Water temperature is incorrect:

- Check your water temperature. Only water with a temperature less than 77°F (25°C) can be used in this washer.
- Check that the inlet hose is properly connected.

Water leaks:

- Check that the inlet hose connection at the faucet and washer are tight.
- Check that the drain hose connection at the washer is secure and that the drain hose is properly positioned at the drain location.
- Check the plumbing or call a plumber.

Water will not drain:

- Check that the drain hose is properly connected to the washer.
- Check the position of the drain hose. In order to drain properly, the top of drain outlet must be at least 31½" (80 cm) above the floor.
- Check that the sink or drainpipe is not clogged.

WASHER IS MAKING NOISE

Thumping Sound:

- The wash load may be unbalanced. Pause the washer and redistribute items in the wash basket.

Rattling or clanking noises:

- Foreign objects may be in the wash basket. Stop the washer and check for foreign objects such as keys or loose change.

Squealing Sounds:

- Wash basket may be overloaded. Stop the washer and remove part of the wash load.

Vibration Noises:

- Washer may not be level. Check that all 4 leveling feet are resting firmly on the floor and that the washer is level.

PROBLEMS WITH CLOTHING

Wrinkling:

- Wrinkling can occur because of improper sorting, overloading or washing at the wrong water temperature.
- Avoid overloading and re-sort your load. Do not mix heavy clothes such as work clothes with light clothes such as blouses, light shirts and delicate items. You may need to wash them in warm or cold water.

Detergent Residue:

- Detergent may not completely dissolve in extremely cold water. You may want to use a warm wash [water temperature lower than 77°F (25°C)] to achieve the best result.

NOTE: Detergent may not completely dissolve in cold water.

- Add detergent before loading clothes. Do not pour detergent directly on garments.

Clothes Are Grayed or Yellowed:

- Separate darks from lights and whites to avoid the transfer of dyes.
- Large and heavily soiled laundry may need more detergent. Refer to detergent manufacturer's directions for recommended usage.

Garment Damage:

- Tearing and snagging - Tie strings and sashes. Empty pockets, fasten belts, and close zippers, metal snaps or hook fasteners before loading.
- Bleach stains - Do not pour or splash bleach directly on clothes. If you are using the dispenser and still notice stains, try using diluted bleach.
- Excessive wear and tear - Follow manufacturer's instructions for garment care.

LIMITED WARRANTY

IN-HOME SERVICE

FULL ONE YEAR WARRANTY

For 12 months from the date of original retail purchase, Haier will repair or replace any part free of charge including labor that fails due to a defect in materials or workmanship.

LIMITED WARRANTY

After one year from the original retail purchase date, Haier will provide a part at no cost, as indicated below, to replace said part as a result of a defect in materials or workmanship. Haier is solely responsible for the cost of the part. All other costs such as labor, trip charge, etc are the responsibility of the owner.

Second through Fifth Year

Haier will provide the outer washtub and related outer tub assembly parts should the part fail to hold water.

Second through Seventh Year

Haier will provide the inner stainless steel wash basket if defective in material or workmanship.

NOTE: This warranty commences on the date the item was purchased, and the original purchase receipt must be presented to the authorized service representative before warranty repairs are rendered.

Exceptions: Commercial or Rental Use Warranty

90 days labor from date of original purchase

90 days parts from date of original purchase

No other warranty applies.

FOR WARRANTY SERVICE

Contact your nearest authorized service center. All service must be performed by a Haier authorized service center. For the name and telephone number of the nearest authorized service center, please call 1-877-337-3639.

Before calling please have available the following information:

Model number and serial number of your appliance. The name and address of the dealer you purchased the unit from and the date of purchase.

A clear description of the problem.

A proof of purchase (sales receipt).

This warranty covers home appliance services within the contiguous United States and Canada and where available in Alaska, Hawaii and Puerto Rico.

What is not covered by this warranty:

Replacement or repair of household fuses, circuit breakers, wiring or plumbing.

A product whose original serial number has been removed or altered.

Any service charges not specifically identified as normal such as normal service area or hours.

Damage to clothing.

Damage incurred in shipping.

Damage caused by improper installation or maintenance.

Damage from misuse, abuse accident, fire, flood, or acts of nature.

Damage from service other than an authorized Haier dealer or service center.

Damage from incorrect electrical current, voltage or supply.

Damage resulting from any product modification, alteration or adjustment not authorized by Haier.

Adjustment of consumer operated controls as identified in the owner's manual.

Hoses, knobs, lint trays and all attachments, accessories and disposable parts.

Labor, service transportation, and shipping charges for the removal and replacement of defective parts beyond the initial 12-month period.

Damage from other than normal household use.

Any transportation and shipping charges.

THIS LIMITED WARRANTY IS GIVEN IN LIEU OF ALL OTHER WARRANTIES, EXPRESS ED OR IMPLIED, INCLUDING BUT NOT LIMITED TO, THE WARRANTIES OF MERCHANTABILITY AND FITNESS FOR A PARTICULAR PURPOSE

The remedy provided in this warranty is exclusive and is granted in lieu of all other remedies.

This warranty does not cover incidental or consequential damages, so the above limitations may not apply to you. Some states do not allow limitations on how long an implied warranty lasts, so the above limitations may not apply to you.

This warranty gives you specific legal rights, and you may have other rights, which vary from state to state.

Haier America
New York, NY 10018

TABLE DES MATIÈRES

IMPORTANTES INSTRUCTIONS DE SÉCURITÉ	24
Précautions de sécurité concernant l'installation	24
Précautions générales de sécurité	25
PIÈCES ET CARACTÉRISTIQUES	26
INSTRUCTIONS D'INSTALLATION	27
Outils nécessaires	27
Pièces fournies.....	27
Critères d'emplacement	27
Critères du système de vidange	28
Spécifications électriques.....	29
INSTRUCTIONS ÉTAPE PAR ÉTAPE	30
Étape 1 – Déballage de la laveuse	30
Étape 2 – Raccordement et immobilisation du tuyau de vidange	31
Étape 3 - Raccordement des tuyaux d'admission d'eau	31
Étape 4 – Nivellement de la laveuse.....	33
Étape 5 – Fin de l'installation	33
TABLEAU DE COMMANDE ET FONCTIONS	34
INSTRUCTIONS D'UTILISATION	38
Étape 1 – Préparation et tri du linge	38
Étape 2 – Ajout de produits de soin des tissus.....	38
Étape 3 – Chargement de la laveuse	39
Étape 4 – Mise en marche de la laveuse	39
GUIDE D'ENTRETIEN ET DE NETTOYAGE.....	40
Nettoyage et entretien.....	40
Précautions à prendre avant un départ	41
Préparation avant un déménagement ou un entreposage	41
DÉPANNAGE.....	42
GARANTIE LIMITÉE.....	44

DOCUMENTS À CONSERVER

Merci d'avoir acheté ce produit Haier.
Ce manuel d'utilisation vous aidera
à obtenir la meilleure performance
possible de votre nouvelle laveuse.

Pour référence ultérieure, inscrire le
numéro de plaque signalétique situé
au dos de la laveuse, ainsi que la date
d'achat.

Pour faciliter l'obtention d'un service
sous garantie, agraffer la preuve de la
date d'achat à ce manuel.

Numéro de modèle

Numéro de série

Date d'achat

IMPORTANTES INSTRUCTIONS DE SÉCURITÉ

AVERTISSEMENT

Afin de réduire le risque d'incendie, de choc électrique ou de blessures corporelles lors de l'utilisation de cet appareil, observer certaines précautions fondamentales, notamment :

- Lire toutes les instructions avant d'utiliser cet appareil.
- Utiliser cet appareil uniquement dans le but auquel il est destiné et tel que décrit dans le présent manuel d'utilisation.
- Ne pas utiliser la laveuse pour le nettoyage de vêtements dans un cadre commercial.
- Cette laveuse possède un seul tuyau d'arrivée d'eau pour le remplissage du panier de lavage (eau chaude et eau froide). Cette laveuse ne peut pas utiliser une eau de lavage d'une température supérieure à 77°F (25°C).

PRÉCAUTIONS DE SÉCURITÉ CONCERNANT L'INSTALLATION

DANGER

Avant de jeter votre ancien appareil, retirer la porte ou le couvercle de façon à ce que les enfants ne puissent pas se cacher ou être coincés dans l'ancien appareil.

- Avant d'être utilisé, cet appareil doit être correctement installé et placé dans la pièce, conformément aux instructions d'installation.
- Ne pas entreposer ou installer cet appareil dans un endroit où il sera exposé aux intempéries ou à des températures inférieures au point de congélation; cela pourrait endommager l'appareil.
- L'appareil doit être correctement relié à la terre, conformément à tous les critères des codes et règlements locaux régissant les installations électriques. Voir la section "Spécifications électriques".

PRÉCAUTIONS GÉNÉRALES DE SÉCURITÉ

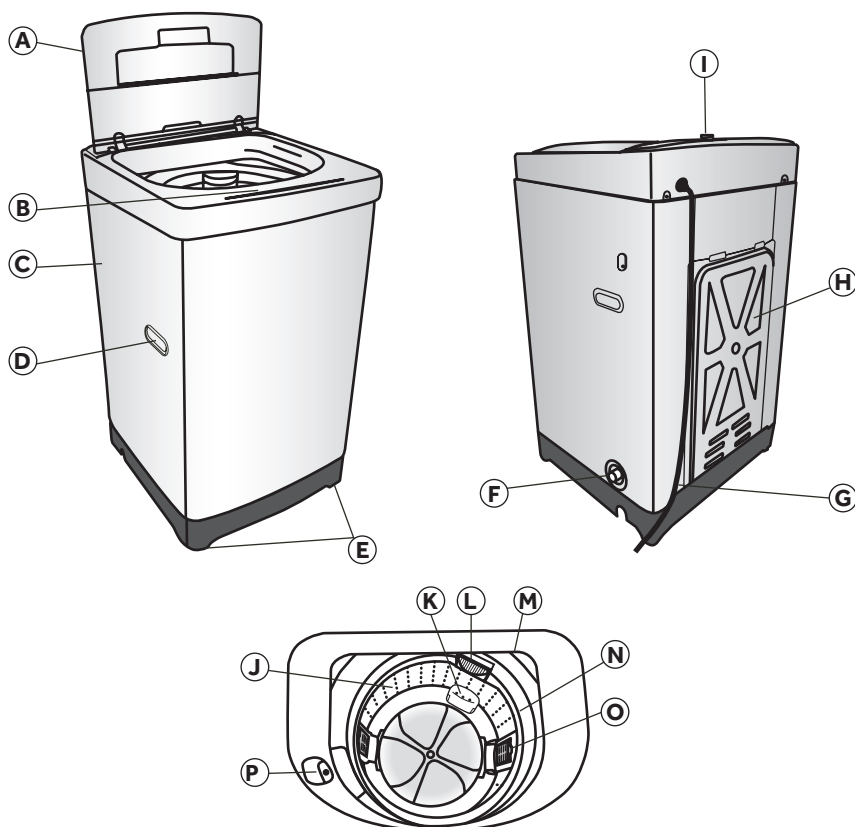
- L'espace autour de l'appareil doit être libre de toute matière combustible comme de la charpie, du papier, des chiffons ou des produits chimiques.
- Une surveillance attentive s'impose lorsque cet appareil ménager est utilisé par ou à proximité d'enfants. Ne pas laisser des enfants jouer avec l'appareil, ni jouer dessus ou à l'intérieur.
- Ne pas placer dans l'eau de lavage des articles précédemment nettoyés, lavés, trempés ou tachés avec de l'essence, des solvants pour nettoyage à sec ou d'autres substances inflammables ou explosives. Ces substances dégagent des vapeurs qui pourraient s'enflammer ou exploser.
- Ne pas ajouter d'essence, de solvants pour nettoyage à sec ou d'autres substances inflammables ou explosives à l'eau de lavage. Ces substances dégagent des vapeurs qui pourraient s'enflammer ou exploser.
- Ne pas accéder à l'intérieur de l'appareil si le panier de lavage, la cuve ou l'agitateur est en mouvement.
- Ne pas effectuer d'intervention non autorisée sur les commandes.
- Ne pas débrancher la laveuse en tirant sur le cordon d'alimentation. Toujours saisir la fiche de branchement fermement pour l'extraire de la prise de courant.
- Afin de réduire le risque de choc électrique, débrancher cet appareil de l'alimentation électrique avant d'effectuer un dépannage ou un nettoyage.

REMARQUE : Le fait de tourner le bouton de sélection de programme à la position "d'arrêt" ne permet PAS de déconnecter l'appareil de l'alimentation électrique.

- Ne pas réparer ou remplacer une quelconque pièce de l'appareil ou effectuer une opération d'entretien qui ne soit pas expressément recommandé(e) dans ce manuel d'utilisation ou dans les instructions de réparation fournies et que vous compreniez et soyez capable d'exécuter ces instructions.
- Retirer la porte ou le couvercle de la laveuse avant de la jeter ou de la rendre inutilisable.

CONSERVER CES INSTRUCTIONS USAGE DOMESTIQUE EXCLUSIF

PIÈCES ET CARACTÉRISTIQUES



- (A)** Couvercle supérieur
- (B)** Tableau de commande
- (C)** Caisse
- (D)** Poignée de la caisse
- (E)** Pieds de nivellement (2)
- (F)** Orifice de vidange
- (G)** Cordon d'alimentation électrique (120 V/60 Hz)
- (H)** Panneau d'accès

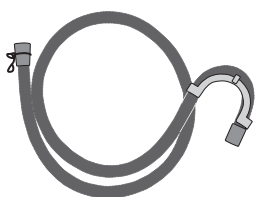
- (I)** Tuyau d'arrivée
- (J)** Panier de lavage
- (K)** Dispositif haute pression
- (L)** Distributeur de détergent liquide
- (M)** Cerclage de cuve externe
- (N)** Anneau d'équilibrage
- (O)** Filtre à charpie
- (P)** Distributeur d'eau de Javel

INSTRUCTIONS D'INSTALLATION

OUTILS NÉCESSAIRES

- Pince
- Clé
- Tournevis à lame plate
- Mètre ruban
- Niveau

PIÈCES FOURNIES



- Bride pour tuyau de vidange
- Crochet de tuyau de vidange
- Tuyau de vidange



- Tuyaux d'admission d'eau (rondelles plates préinstallées)
- Manuel d'utilisation

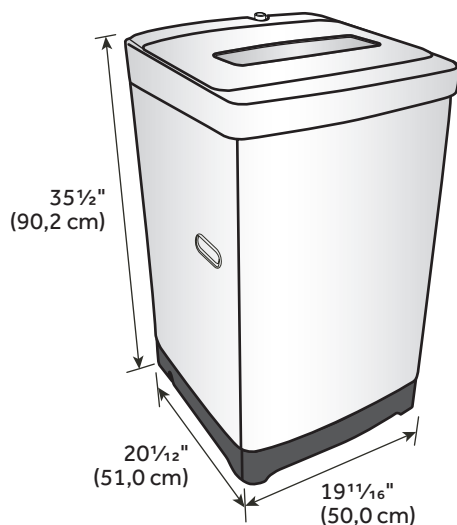
CRITÈRES D'EMPLACEMENT

- La laveuse doit être installée sur un plancher résistant pour réduire les vibrations durant le programme d'essorage. Un plancher en béton est idéal.
- Le plancher doit être de niveau avec une pente maximale de 1" (25 mm) sous l'ensemble de la laveuse.
- L'appareil doit être placé dans un emplacement protégé de la lumière directe du soleil et de sources de chaleur comme des radiateurs, des plinthes électriques ou des appareils de cuisson.
- Ne pas installer sur de la moquette.
- L'emplacement d'installation doit comporter une prise électrique reliée à la terre et située à 4 pi (1,2 m) maximum du cordon d'alimentation à l'arrière de la laveuse.
- Le robinet d'eau chaude et d'eau froide doivent se situer à 3 pi (0,9 m) maximum des raccords d'eau chaude et d'eau froide de la laveuse.
- Raccorder uniquement à un robinet d'eau froide.
- La pression de l'eau doit être comprise entre 20 à 100 lb/po² (138 et 690 kPa).

⚠ AVERTISSEMENT

Ne pas installer ou faire fonctionner la laveuse dans un endroit où elle sera exposée à des températures inférieures à 32°F (0°C). De l'eau restée dans la laveuse gèlera et endommagera la laveuse.

DIMENSIONS DE LA LAVEUSE

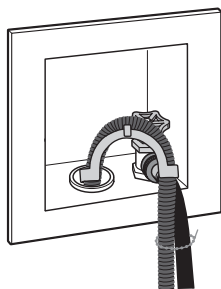


CRITÈRES DU SYSTÈME DE VIDANGE

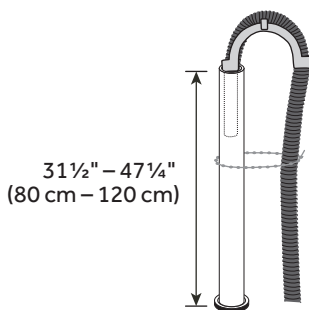
TUYAU RIGIDE DE REJET À L'ÉGOUT AU MUR OU AU PLANCHER

La hauteur du tuyau rigide de rejet à l'égout doit être comprise entre $31\frac{1}{2}$ " (80 cm) et $47\frac{1}{4}$ " (120 cm) à partir du bas de la laveuse. Le diamètre du tuyau rigide de rejet à l'égout doit être de 2" (5 cm) minimum.

Mur



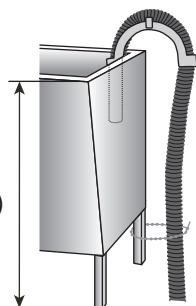
Plancher



ÉVIER DE BUANDERIE

L'évier de buanderie doit avoir une capacité minimale de 20 gal. (76 L). La hauteur de l'évier de buanderie doit être de 31 1/2" (80 cm) minimum et de 47 1/4" (120 cm) maximum.

31 1/2" – 47 1/4"
(80 cm – 120 cm)



SPÉCIFICATIONS ÉLECTRIQUES

⚠ AVERTISSEMENT

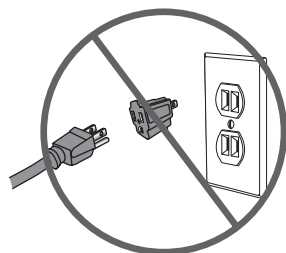
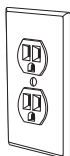
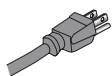
La laveuse doit être branchée à une prise secteur correctement mise à la terre de 120 volts, 60 Hz, CA uniquement, protégée par fusible de 15 ou 20 ampères. Il est recommandé d'utiliser un disjoncteur ou un fusible temporisé.

- Si l'alimentation électrique fournie ne répond pas aux critères ci-dessus, contacter un électricien agréé.

⚠ AVERTISSEMENT

Un raccordement inapproprié du conducteur de mise à la terre d'équipement peut causer un risque de choc électrique. Consulter un électricien ou un réparateur qualifié en cas de doute quant à la qualité de la liaison à la terre de l'appareil.

- Cet appareil doit être relié à la terre. En cas d'anomalie de fonctionnement ou de panne, réaliser une liaison à la terre réduira le risque de choc électrique en offrant au courant électrique un itinéraire d'évacuation de moindre résistance.
- Cet appareil est doté d'un cordon électrique comportant un conducteur de mise à la terre d'équipement et une fiche de branchement de liaison à la terre. La fiche doit être branchée sur une prise de courant appropriée qui soit bien installée et reliée à la terre conformément à tous les codes et règlements locaux.
- Ne pas utiliser d'adaptateur à trois broches.
- Ne pas utiliser de câble de rallonge.



INSTRUCTIONS ÉTAPE PAR ÉTAPE

INSTALLATION DE LA LAVEUSE

Nous recommandons que l'installation de votre nouvelle laveuse soit réalisée par un technicien d'appareils électroménagers agréé. Si vous pensez être capable d'installer la laveuse, lire attentivement les instructions d'installation avant de procéder à l'installation.

MISE EN GARDE : Si vous n'êtes pas certain que la laveuse est correctement installée après avoir effectué ces étapes, contacter un technicien d'appareils électroménagers qualifié.

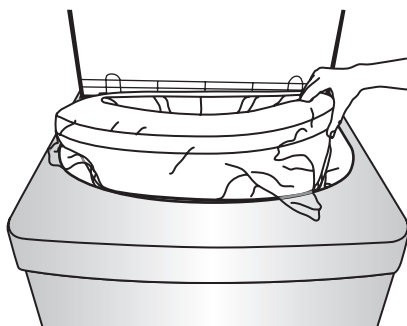
⚠ AVERTISSEMENT

Si la laveuse vient juste de vous être livrée et que la température extérieure est inférieure au point de congélation, ne pas faire fonctionner la laveuse avant qu'elle n'ait atteint la température ambiante.

ÉTAPE 1 – DÉBALLAGE DE LA LAVEUSE

1. Enlever tous les matériaux d'emballage. Cela comprend la base en polystyrène et tous les adhésifs qui maintiennent les accessoires pour laveuse en place, à la fois à l'intérieur et à l'extérieur.
2. Ouvrir le couvercle supérieur pour retirer la pièce de fixation du panier de lavage. Tirer sur la pièce de fixation pour la retirer.

REMARQUE : Conserver la pièce de fixation du panier de lavage pour pouvoir la réutiliser en cas de déplacement ultérieur de la laveuse.



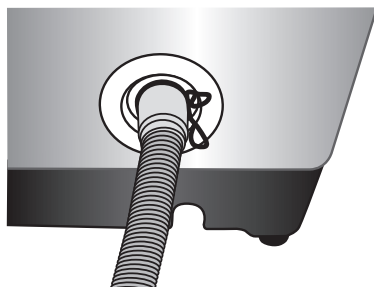
3. Inspecter la laveuse et retirer tout film protecteur, ruban adhésif ou emballage resté sur l'appareil avant de l'utiliser.

⚠ AVERTISSEMENT

Afin d'éviter tout risque d'étouffement, conserver le sac en plastique et autres matériaux d'emballage hors de portée des bébés et des enfants. Ne pas utiliser ce sac dans des berceaux, poussettes ou parcs pour enfants. Le sac en plastique peut bloquer les orifices du nez et de la bouche et empêcher la respiration. Ce sac n'est pas un jouet.

ÉTAPE 2 – RACCORDEMENT ET IMMOBILISATION DU TUYAU DE VIDANGE

1. Élargir l'ouverture en serrant les extrémités de la bride du tuyau de vidange l'une contre l'autre. Faire glisser la bride sur l'extrémité du tuyau de vidange, sur la partie flexible du tuyau.
2. Placer l'extrémité du tuyau de vidange sur l'orifice de vidange en plastique qui dépasse de la laveuse.
3. Appuyer sur les extrémités de la bride pour élargir l'ouverture et faire glisser la bride sur la connexion du tuyau de vidange et de l'orifice de vidange. Relâcher la bride pour serrer.
4. Placer l'extrémité crochetée du tuyau de vidange dans le conduit d'évacuation ou l'évier de buanderie.
5. Fixer le tuyau de vidange à un tuyau d'eau, au tuyau rigide de rejet à l'égout ou à l'un des pieds de l'évier de buanderie pour le maintenir en place. Voir "Critères du système de vidange" pour des illustrations.

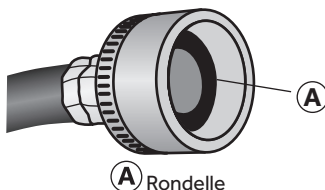


ÉTAPE 3 - RACCORDEMENT DES TUYAUX D'ADMISSION D'EAU

IMPORTANT : Utiliser uniquement un tuyau neuf pour installer la laveuse.

REMARQUE : Inspecter périodiquement les tuyaux pour pouvoir détecter toute fissure, coupure, usure ou fuite éventuelle. Remplacer le tuyau et installer un tuyau neuf tous les 5 ans environ.

1. Vérifier qu'une nouvelle rondelle plate est bien installée dans chaque extrémité du tuyau d'arrivée d'eau. Des rondelles plates ont été préinstallées à l'usine.

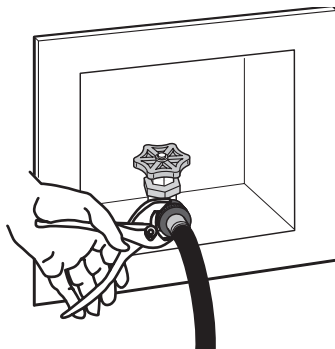


A Rondelle

2. Enfiler le tuyau d'arrivée d'eau sur le robinet d'arrivée d'eau à la main jusqu'à obtenir un ajustement serré. Serrer ensuite les raccords en effectuant deux tiers de tour supplémentaires à l'aide d'une pince.

IMPORTANT : Pour éviter d'endommager les raccords de tuyau, ne pas serrer excessivement.

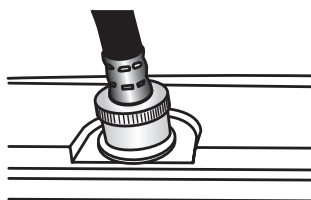
REMARQUE : Afin d'éviter d'endommager les robinets, ne pas utiliser de ruban adhésif pour tuyauteries ou de produits d'étanchéité sur le filetage des valves.



3. Enfiler à la main l'autre extrémité du robinet d'arrivée d'eau sur la valve d'arrivée d'eau à l'arrière de la laveuse jusqu'à obtenir un ajustement serré. Serrer ensuite les raccords en effectuant deux tiers de tour supplémentaires à l'aide d'une pince.

IMPORTANT : Pour éviter d'endommager les raccords de tuyau, ne pas serrer excessivement.

REMARQUE : Afin d'éviter d'endommager les valves d'arrivée d'eau de la laveuse, ne pas utiliser de ruban adhésif pour tuyauteries ou de produits d'étanchéité sur le filetage des valves.



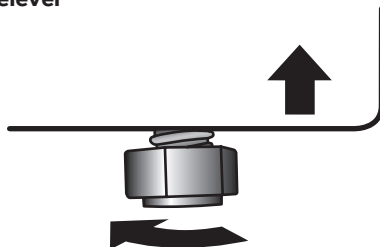
4. Ouvrir le robinet d'eau et vérifier s'il y a des fuites. En cas de fuite, vérifier que les étapes 1 à 3 ont bien été suivies.

ÉTAPE 4 – NIVELLEMENT DE LA LAVEUSE

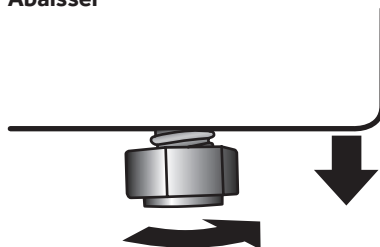
IMPORTANT : Un bon aplomb de la laveuse permet de réduire les vibrations et bruits éventuels.

1. Placer la laveuse à son emplacement final. Vérifier que les canalisations d'eau et de vidange de la laveuse ne sont pas tendues ou écrasées. Vérifier que les quatre pieds sont en contact ferme avec le plancher et que la laveuse repose solidement dessus.
2. Avec un niveau, vérifier que la laveuse est d'aplomb transversalement et d'avant en arrière.
3. Si la laveuse n'est pas d'aplomb, ajuster les pieds de nivellement. Tourner les pieds dans le sens horaire pour les déployer (et relever la laveuse) ou antihoraire pour les rétracter (et abaisser la laveuse).

Relever



Abaisser



ÉTAPE 5 – FIN DE L'INSTALLATION

1. Brancher la laveuse dans une prise de courant à 3 alvéoles, reliée à la terre.
2. Vérifier que le robinet d'arrivée d'eau est ouvert.
3. Éliminer/recycler tous les matériaux d'emballage.
4. Effectuer un programme de lavage normal avec un détergent pour tester et nettoyer la laveuse. Voir la section "Instructions d'utilisation".

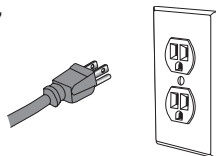
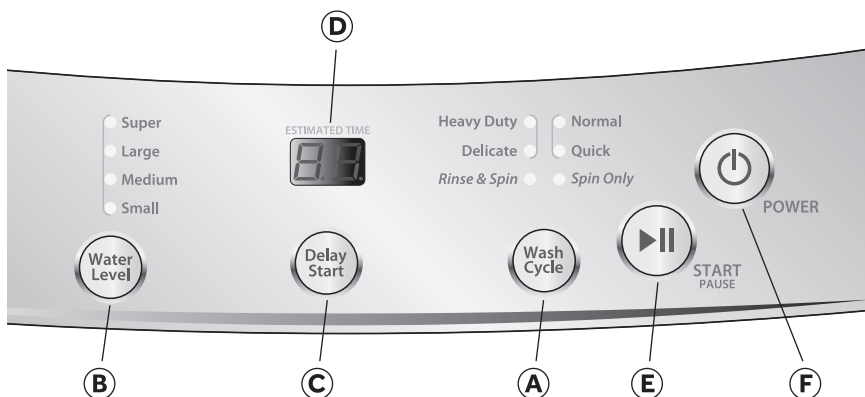


TABLEAU DE COMMANDE ET FONCTIONS

TABLEAU DE COMMANDE

**(A) BOUTON WASH CYCLE (PROGRAMME DE LAVAGE)**

- Utiliser ce bouton pour sélectionner le programme désiré pour votre charge de lavage.
- Les réglages par défaut correspondant à chaque programme s'affichent ; les réglages par défaut peuvent être modifiés en utilisant les boutons de réglage – Wash Temp (température de lavage), Soil Level (niveau de saleté) et Water Level (niveau d'eau).
- L'utilisateur peut choisir parmi 6 programmes :

Heavy Duty (service intense) – Utiliser ce programme pour les vêtements résistants très sales. On peut utiliser ce programme pour les serviettes, les équipements de sport, les vêtements d'enfants, etc.

Normal – Utiliser ce programme pour les articles en coton et les charges de tissus mixtes présentant un degré de saleté normal.

Delicate (articles délicats) – Utiliser ce programme pour laver les articles peu sales et les vêtements délicats nécessitant un lavage en douceur.

Quick (rapide) – Utiliser ce programme pour laver de petites charges peu sales dont on a besoin rapidement.

Rinse & Spin (rinçage et essorage) – Utiliser ce programme pour éliminer l'excès de détergent et rafraîchir des vêtements propres.

REMARQUE : Lancer ce programme alors que le panier de lavage est vide pourrait provoquer un débordement d'eau de la cuve, ce qui pourrait endommager votre plancher.

Spin Only (essorage uniquement) – Utiliser ce programme pour éliminer l'eau restée dans des vêtements lavés à la main ou qui sont propres et mouillés.

B BOUTONS DE RÉGLAGE

Bouton Water Level (niveau d'eau)

- Utiliser ce bouton pour choisir le niveau d'eau adapté à la charge. Small (bas) est le niveau d'eau le plus faible et Super est le plus élevé.

C BOUTON DELAY START (MISE EN MARCHÉ DIFFÉRÉE)

- Appuyer sur ce bouton pour différer le démarrage de votre programme de lavage de 1 à 24 heures par tranches d'une heure.
- Utiliser ce bouton pour choisir un départ différé de la laveuse. Le nombre d'heures de décalage sera affiché sur l'affichage de durée résiduelle estimée. Chaque pression sur le bouton Delay Start (mise en marche différée) diffèrera la mise en marche d'une heure supplémentaire.
- Pour annuler la fonction de mise en marche différée, appuyer une fois de plus sur le bouton lorsque l'affichage indique 24. L'utilisateur peut également annuler la fonction mise en marche différée en mettant hors tension la laveuse au moyen du bouton Power (mise sous tension).
- Il faut appuyer sur le bouton Start/Pause (mise en marche/pause) pour lancer le compte à rebours.

D AFFICHAGE DE DURÉE RÉSIDUELLE ESTIMÉE

- L'affichage de durée résiduelle estimée indique la durée de programme estimée en minutes.
- Quand l'option Delay Start (mise en marche différée) est utilisée, l'affichage de durée résiduelle estimée indiquera la durée du délai choisi en heures.

E BOUTON START/PAUSE (MISE EN MARCHÉ/PAUSE)

- Appuyer sur ce bouton pour démarrer un programme sélectionné ou suspendre un programme en cours.

REMARQUE : Une fois un programme de lavage lancé, le programme en cours doit être suspendu si l'on souhaite modifier les réglages Wash Temp (température de lavage), Soil Level (niveau de saleté) et Water Level (niveau d'eau).

F BOUTON POWER (MISE SOUS TENSION)

- Appuyer sur ce bouton pour mettre sous tension la laveuse.

REMARQUE : Si la laveuse est sous tension et que l'on n'appuie pas sur le bouton START (mise en marche), elle s'éteint automatiquement au bout de 5 minutes.

GUIDE DES PROGRAMMES

REMARQUE : Pour protéger la charge de lavage, tous les options et réglages ne sont pas disponibles pour tous les programmes. Les cases grisées indiquent les réglages par défaut correspondant à chaque programme.

PROGRAMME	TYPE DE TISSU	PROCESSUS DE LAVAGE	DURÉE ESTIMÉE	NIVEAU D'EAU
Heavy Duty (service intense)	Tissus résistants grand teint très sales	10 min de trempage 25 min de lavage Rinçage Essorage	:59	Medium (moyen)
				Super Large (élevé) Small (bas)
Normal	Articles en coton, linge de maison et charges mixtes	16 min de lavage Rinçage par vaporisation Essorage	:31	Medium (moyen)
				Super Large (élevé) Small (bas)
Delicate (articles délicats)	Lingerie, tissus transparents avec ornements en dentelle	10 min de lavage Rinçage Essorage	:26	Medium (moyen)
				Super Large (élevé) Small (bas)
Quick (rapide)	Articles en coton, linge de maison et charges mixtes	9 min de lavage Rinçage Essorage	:23	Medium (moyen)
				Super Large (élevé) Small (bas)
Rinse & Spin (rinçage et essorage)	Vêtements propres	Rinçage Essorage	:17	Medium (moyen)
				Super Large (élevé) Small (bas)
Spin Only (essorage seulement)	Vêtements propres encore mouillés	Essorage	:06	n/a

ÉTAPE 1 – PRÉPARATION ET TRI DU LINGE

PRÉPARATION DU LINGE

- Consulter les étiquettes de vêtement du fabricant pour les instructions de lavage.
- Vider les poches et les retourner.
- Déplier les revers et enlever la charpie ou la poussière.
- Attacher les ceintures et les cordons pour qu'ils ne s'emmêlent pas.
- Fermer les fermetures à glissière, les boutons pression et les crochets afin qu'ils ne s'accrochent pas à d'autres articles.
- Retirer les épingles et autres objets pointus des vêtements pour éviter d'érafler le panier de lavage.
- Prétraiter toutes les taches et zones très sales.
- Retourner les tricots synthétiques et les lainages pour éviter le boulochage.

TRI DU LINGE

- Trier le linge en fonction du type de programme de lavage nécessaire.
- Séparer les couleurs foncées des couleurs claires et les articles grand teint des articles qui déteignent.
- Séparer les tissus lourds et les tissus légers.
- Séparer les tissus qui retiennent la charpie de ceux qui la forment.
- Séparer les articles volumineux tels que les couvertures ou les oreillers.

ÉTAPE 2 – AJOUT DE PRODUITS DE SOIN DES TISSUS

AJOUT DE DÉTERGENT

- Vous pouvez utiliser aussi bien du détergent liquide que du détergent en poudre dans cette laveuse. Suivre les recommandations du fabricant de détergent inscrites sur l'emballage pour déterminer la quantité de détergent à utiliser.

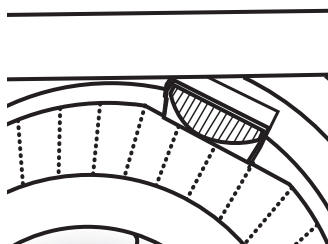
REMARQUE : La quantité de détergent nécessaire dépend du volume de la charge, du niveau de saleté des vêtements et de la dureté de l'eau qui alimente la laveuse.

- Si on choisit le programme Quick (rapide), il est recommandé d'utiliser un détergent de lessive liquide pour obtenir des résultats optimaux. Un détergent en poudre peut ne pas se dissoudre assez rapidement pour bien nettoyer avec ce programme.
- Déterminer la quantité de détergent. Suivre les instructions d'utilisation du détergent figurant sur le récipient.

Détergent liquide

REMARQUE : Pour de meilleurs résultats, laisser le détergent liquide se mélanger à l'eau avant de placer la charge de linge.

1. Lancer un programme de lavage et attendre qu'une petite quantité d'eau soit déversée dans le panier de lavage avant d'ajouter le détergent liquide.
2. Verser la quantité mesurée de détergent liquide directement dans le distributeur prévu à cet effet.



Détergent en poudre

REMARQUE : Pour de meilleurs résultats, ajouter le détergent dans le panier de lavage avant d'y placer la charge de linge.

1. Lancer un programme de lavage et attendre qu'une petite quantité d'eau soit déversée dans le panier de lavage. Ajouter le détergent en poudre directement dans le panier de lavage.

OU

Dans un récipient à part, dissoudre du détergent en poudre dans de l'eau tiède et verser la solution directement dans le panier de lavage.

REMARQUE : Ne pas verser le détergent dans le panier de lavage sans l'avoir au préalable dissout dans de l'eau. Du détergent en poudre non dissout pourrait endommager les vêtements.

AJOUT D'AGENT DE BLANCHIMENT (SI DÉSIRÉ)

REMARQUE : L'agent de blanchiment doit être ajouté dans le distributeur d'agent de blanchiment au même moment où l'on ajoute le détergent.

- Verser la quantité mesurée d'eau de Javel dans le distributeur d'eau de Javel.

REMARQUE : Utiliser uniquement de l'agent de blanchiment liquide dans ce distributeur.

- L'agent de blanchiment s'écoule directement du distributeur jusque dans l'espace entre la cuve interne et la cuve externe. Il est ensuite réparti de manière uniforme au travers de la charge de linge pour de meilleurs résultats.

IMPORTANT : Veiller à ne pas renverser d'agent de blanchiment non dilué sur la caisse de la laveuse ou sur les vêtements. Un agent de blanchiment est un produit chimique puissant qui peut endommager les vêtements ou le revêtement de la laveuse.



- Suivre les directives du fabricant sur les étiquettes de soin du tissu concernant les modalités d'utilisation recommandées pour un agent de blanchiment liquide ou en poudre.

ÉTAPE 3 – CHARGEMENT DE LA LAVEUSE

1. Ouvrir le couvercle de la laveuse. Les vêtements doivent être chargés en vrac d'une manière uniforme dans le panier de lavage pour former une charge équilibrée.
2. Rabattre le couvercle de la laveuse.

REMARQUES :

- Ne pas surcharger les articles ni les tasser dans le panier de lavage. La surcharge peut réduire l'efficacité du lavage, causer une usure excessive et dans certains cas, entraîner la formation de plis ou le froissement de la charge.
- La laveuse n'effectue ni agitation, ni essorage lorsque le couvercle est ouvert.

ÉTAPE 4 – MISE EN MARCHÉ DE LA LAVEUSE

1. Appuyer sur le bouton POWER (mise sous tension) pour mettre la laveuse sous tension.
2. Sélectionner un programme de lavage.
3. Si désiré, modifier les réglages par défauts et options.
4. Appuyer sur le bouton START/PAUSE (mise en marche/pause) pour démarrer le programme de lavage.

GUIDE D'ENTRETIEN ET DE NETTOYAGE

⚠ AVERTISSEMENT

Toujours débrancher la laveuse avant d'éviter tout choc électrique avant le nettoyage.

Le non-respect de cet avertissement peut entraîner un décès ou des blessures.

Avant d'utiliser des produits de nettoyage, toujours lire et suivre les instructions et avertissements du fabricant afin d'éviter toute blessure ou dommage du produit.

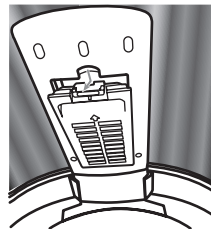
NETTOYAGE ET ENTRETIEN

ENTRETIEN GÉNÉRAL

- Utiliser uniquement un chiffon mouillé ou trempé d'eau savonneuse pour nettoyer le tableau de commande.
- Si l'on renverse de l'assouplissant pour tissu, de l'agent de blanchiment ou du détergent liquide/en poudre sur la caisse, essuyer immédiatement la caisse pour éviter d'endommager le revêtement.
- Ne pas utiliser de nettoyants abrasifs, de produits chimiques puissants, d'ammoniaque, d'agent de blanchiment au chlore, de détergent concentré ou de solvants pour nettoyer la laveuse. Ces produits chimiques peuvent dissoudre, endommager ou décolorer la laveuse.
- Après avoir lavé des vêtements, laisser le couvercle ouvert pour que l'humidité à l'intérieur de la machine puisse s'évaporer et pour empêcher l'apparition de moisissure.

FILTRE À CHARPIE

1. Appuyer sur l'onglet de la partie supérieure du filtre pour dégager le filtre du panier de lavage.
2. Faire pivoter le filtre sur lui-même afin que la partie arrière du filtre soit orientée vers le haut.
3. Tout en tenant le filtre fermement d'une main, soulever la base du filtre pour séparer l'avant de l'arrière du filtre, afin de pouvoir accéder au tamis du filtre.
4. Nettoyer le tamis du filtre et replacer l'arrière du filtre.
5. Faire glisser le filtre dans le panier de lavage et appuyer fermement pour le remettre en place.



IMPORTANT: Les deux filtres à charpie doivent être en place pendant les programmes de lavage. Nettoyer les tamis de filtre après chaque charge de lavage.

PRÉCAUTIONS À PRENDRE AVANT UN DÉPART

- Fermer le robinet d'arrivée d'eau. Ceci permettra d'éviter d'endommager votre domicile en cas de rupture ou de fuite des tuyaux.
- Débrancher la laveuse de la prise de courant électrique.
- Sécher le panier de lavage.
- Laisser le couvercle ouvert pour que l'humidité à l'intérieur de la machine puisse s'évaporer et pour empêcher l'apparition de moisissure.

PRÉPARATION AVANT UN DÉMÉNAGEMENT OU UN ENTREPOSAGE

Effectuer les étapes suivantes en complément des "Précautions à prendre avant un départ".

- Déconnecter le tuyau d'arrivée d'eau et le tuyau de vidange et les placer dans le panier de lavage.
- Tourner les pieds de nivellement de façon à ce qu'ils soient complètement rétractés dans la caisse de la laveuse.
- Si l'on doit déplacer la laveuse, replacer la pièce de protection du panier de lavage des matériaux d'emballage d'origine dans le sommet de l'ouverture de la laveuse. Utiliser du ruban de masquage pour fixer le couvercle de la laveuse.
- Déplacer et entreposer la laveuse uniquement en position verticale.
- Ne pas entreposer la laveuse dans un environnement froid où la température descendra en dessous du point de congélation; l'entreposer à température ambiante.

DÉPANNAGE

LA LAVEUSE NE FONCTIONNE PAS

- Vérifier que le cordon d'alimentation est branché sur une prise de courant à 3 alvéoles reliée à la terre.
- Vérifier que la tension à la prise de courant murale est correcte.
- Vérifier que le disjoncteur ne doit pas être réenclenché et que le fusible ne doit pas être remplacé.
- Vérifier que la laveuse n'est pas surchargée. Le linge doit peut-être être redistribué pour ré-équilibrer la charge.
- Vérifier que le couvercle de la laveuse est bien fermé.
- La laveuse effectue des pauses au cours de certains programmes. Ceci est normal avec le programme Delicate (articles délicats) qui comprend de courtes périodes de trempage. On n'entendra pas la laveuse fonctionner lors de ces périodes. Une fois la période de trempage écoulée, la laveuse se remet automatiquement en marche.

PROBLÈMES CONCERNANT L'EAU

Le débit est lent ou le remplissage prend du temps :

- S'assurer que le robinet d'arrivée d'eau est complètement ouvert.
- S'assurer que le tuyau d'arrivée d'eau n'est pas emmêlé, déformé ou coincé.

La température de l'eau est incorrecte :

- Contrôler la température de votre eau. Cette laveuse ne peut pas utiliser une eau de lavage d'une température supérieure à 77°F (25°C).
- Vérifier que le tuyau d'arrivée d'eau a été convenablement connecté.

Fuites d'eau :

- Vérifier que les raccords du tuyau d'arrivée d'eau au niveau du robinet et de la laveuse sont bien serrés.
- Vérifier que le raccordement du tuyau de vidange à la laveuse est solide et que le tuyau de vidange est correctement placé au niveau de l'évacuation.
- Contrôler le circuit de plomberie ou appeler un plombier.

L'eau ne s'évacue pas :

- Vérifier que le tuyau d'évacuation est correctement raccordé à la laveuse.
- Vérifier que le tuyau de vidange est correctement positionné. Pour que la vidange puisse s'effectuer correctement, le sommet de l'orifice d'évacuation doit se trouver à au moins 31½" (80 cm) au-dessus du plancher.
- Vérifier que l'évier ou le conduit d'évacuation n'est pas obstrué.

LA LAVEUSE FAIT DU BRUIT

Bruit saccadé :

- La charge de lavage est peut-être déséquilibrée. Suspendre le programme de la laveuse et ré-agencer les articles dans le panier de lavage.

Bruit de grattement ou son métallique :

- Des objets se trouvent peut-être dans la cuve de lavage. Arrêter la laveuse et vérifier qu'elle ne contient pas d'objets étrangers comme des clés ou de la monnaie.

Bruits de crissement :

- Le panier de lavage est peut-être surchargé. Arrêter la laveuse et retirer une partie de la charge de lavage.

Bruits de vibration :

- La laveuse n'est peut-être pas d'aplomb. Vérifier que les 4 pieds de nivellement sont en contact ferme avec le plancher et que la laveuse est d'aplomb.

PROBLÈMES CONCERNANT LES VÊTEMENTS

Froissement :

- Les vêtements peuvent se froisser si le linge n'a pas été correctement trié, si la machine a été surchargée ou que le nettoyage a été effectué à la mauvaise température.
- Éviter de surcharger la machine et trier à nouveau le linge. Ne pas mélanger des vêtements lourds tels des vêtements de travail avec des vêtements légers tels des chemisiers, des chemises légères et autres articles délicats. Il faudra peut-être les laver à l'eau tiède ou froide.

Résidus de détergent :

- Il est possible que le détergent ne se dissolve pas complètement dans une eau de lavage très froide. Pour des résultats optimaux, il est préférable d'utiliser de l'eau de lavage tiède, à une température inférieure à 77°F (25°C).

REMARQUE : Il est possible que le détergent ne se dissolve pas complètement dans une eau de lavage froide.

- Verser le détergent avant d'ajouter les vêtements. Ne pas verser de détergent directement sur les vêtements.

Les vêtements ressortent grisâtres ou jaunis :

- Séparer les couleurs foncées des couleurs claires et articles blancs afin d'éviter tout transfert de teinture.
- Les articles de grande taille ou très sales peuvent nécessiter plus de détergent. Suivre les instructions du fabricant concernant les modalités d'utilisation recommandées pour le détergent.

Vêtements abîmés :

- Déchirures et accrocs – Attacher les cordons et crochets. Vider les poches, fermer les ceintures et fermetures à glissière, les bouton-pression métalliques et agrafes avant de charger les vêtements.
- Taches de décoloration - Ne pas verser ni projeter ou faire éclabousser de l'agent de blanchiment directement sur les vêtements. Si l'on utilise le distributeur et que l'on remarque tout de même des taches, essayer d'utiliser de l'agent de blanchiment dilué.
- Usure excessive du tissu - Suivre les instructions du fabricant concernant le soin des tissus.

GARANTIE LIMITÉE

SERVICE À DOMICILE

GARANTIE COMPLÈTE DE UN AN

Pendant 12 mois à compter de la date d'achat d'origine, Haier réparera ou remplacera gratuitement n'importe quelle pièce (main-d'œuvre comprise) comportant un défaut de matériau ou de fabrication.

GARANTIE LIMITÉE

Au-delà d'un an après la date d'achat d'origine, Haier fournira gratuitement une pièce (tel qu'indiqué ci-dessous) pour remplacer ladite pièce suite à un défaut de matériau ou de fabrication. Haier assume l'entière responsabilité du coût de cette pièce. Tout autre coût, tels les frais de main-d'œuvre, de déplacement, etc, sont à la charge du propriétaire.

De la deuxième à la cinquième année

Dans l'éventualité où une pièce venait à ne pas retenir l'eau, Haier fournira la cuve de lavage externe et les pièces d'assemblage de cuve externe associées.

De la deuxième à la septième année

Haier fournira le panier de lavage en acier inoxydable si celui-ci présente un défaut de matériau ou de fabrication.

REMARQUE : Cette garantie prend effet à la date à laquelle l'article a été acheté et le reçu de l'achat d'origine doit être présenté au représentant de dépannage autorisé avant qu'une quelconque réparation sous garantie ne soit effectuée.

Exceptions : Garantie pour usage commercial ou usage de location

90 jours sur la main-d'œuvre à compter de la date d'achat d'origine

90 jours sur les pièces à compter de la date d'achat d'origine

Aucune autre garantie ne s'applique.

SERVICE AU TITRE DE LA GARANTIE

Contactez le centre de dépannage autorisé le plus proche. Tout dépannage doit être effectué par un centre de dépannage autorisé Haier. Pour le nom et le numéro de téléphone du centre de dépannage autorisé le plus proche de votre domicile, composer le 1-877-337-3639.

Avant d'appeler le centre, veuillez garder à disposition les renseignements suivants :

Numéros de plaque signalétique de l'appareil. Le nom et l'adresse du revendeur auprès duquel vous avez acheté l'appareil, ainsi que la date d'achat.

Une description claire du problème rencontré.

Une preuve d'achat (reçu de vente).

Cette garantie est valable pour le service des appareils domestiques aux États-Unis contigus et au Canada et lorsque le service est disponible, en Alaska, à Hawaï et Porto Rico.

Cette garantie ne couvre pas :

Le remplacement ou la réparation des fusibles, disjoncteurs, du câblage ou du circuit de plomberie du domicile.

Un produit dont le numéro de série d'origine a été enlevé ou modifié.

Tous frais de dépannage non identifiés comme étant normaux tel un dépannage dans une zone ou une tranche horaire normale.

Vêtements endommagés.

Les dommages liés à l'expédition.

Les dommages liés à une installation ou un entretien inadapté.

Les dommages causés par l'un des éléments suivants : Mauvaise utilisation, utilisation abusive, accident, incendie ou catastrophe naturelle.

Les dommages résultant d'un dépannage fourni par une entité autre qu'un revendeur ou centre de dépannage autorisé Haier.

Les dommages causés par un courant, une tension ou une alimentation électrique incorrects.

Les dommages résultant d'une quelconque modification ou altération du produit ou d'un ajustement non autorisé par Haier.

Un ajustement des commandes utilisées par le consommateur tel qu'identifié dans le manuel de l'utilisateur.

Les tuyaux, boutons, plateaux à charpie et tout accessoire ou pièce jetable.

Les frais de main-d'œuvre, transport pour dépannage et d'expédition pour le retrait et le remplacement de pièces défectueuses au-delà de la période de 12 mois.

Les dommages liés à une utilisation autre qu'une utilisation domestique normale.

Tout frais de transport et d'expédition.

CETTE GARANTIE LIMITÉE REMPLACE TOUTE AUTRE GARANTIE EXPRESSE OU IMPLICITE, Y COMPRIS, MAIS PAS SEULEMENT, LES GARANTIES IMPLICITES, Y COMPRIS LES GARANTIES DE QUALITÉ MARCHANDE OU D'APTITUDE À UN USAGE PARTICULIER

Le recours offert dans cette garantie est exclusif et se substitue à toute autre garantie.

Cette garantie ne couvre pas les dommages fortuits ou indirects; aussi les limitations décrites ci-dessus peuvent ne pas s'appliquer à votre cas. Certains États ne permettent pas de limitation sur la durée d'une garantie implicite, aussi les limitations décrites ci-dessus peuvent ne pas s'appliquer à votre cas.

Cette garantie vous confère des droits juridiques spécifiques. Vous pouvez également jouir d'autres droits qui peuvent varier d'un État à l'autre.

Haier America
New York, NY 10018

ÍNDICE

INSTRUCCIONES IMPORTANTES DE SEGURIDAD	46
Precauciones de seguridad para la instalación.....	46
Precauciones generales relativas a la seguridad.....	47
PIEZAS Y CARACTERÍSTICAS	48
INSTRUCCIONES DE INSTALACIÓN	49
Herramientas necesarias	49
Piezas suministradas	49
Requisitos de ubicación.....	49
Requisitos del sistema de desagüe.....	50
Requisitos eléctricos	51
INSTRUCCIONES PASO A PASO	52
Paso 1 – Desempaque de la lavadora.....	52
Paso 2 – Conecte y asegure la manguera de desagüe	53
Paso 3 - Conecte las mangueras de agua.....	53
Paso 4 – Nivele la lavadora.....	55
Paso 5 – Complete la instalación.....	55
PANEL DE CONTROL Y CARACTERÍSTICAS	56
INSTRUCCIONES DE FUNCIONAMIENTO	60
Paso 1 – Prepare y separe las prendas	60
Paso 2 – Agregue los productos para el cuidado de las telas.....	60
Paso 3 – Cargue la lavadora	61
Paso 4 – Ponga la lavadora en marcha	61
GUÍA PARA EL CUIDADO Y LA LIMPIEZA.....	62
Limpieza y mantenimiento.....	62
Precauciones al irse de vacaciones.....	63
Preparación para la mudanza o el almacenaje	63
SOLUCIÓN DE PROBLEMAS.....	64
GARANTÍA LIMITADA.....	66

INFORMACIÓN A TENER EN CUENTA

Le agradecemos la compra de este producto de marca Haier. Este manual para el usuario le ayudará a obtener el mejor funcionamiento de su nueva lavadora.

Para referencia futura, anote el número de modelo y de serie, que están situados en la parte posterior de la lavadora, y la fecha de compra.

Engrape la prueba de compra de este manual para asistirle cuando necesite obtener servicio bajo la garantía.

Número de modelo

Número de serie

Fecha de compra

INSTRUCCIONES IMPORTANTES DE SEGURIDAD

⚠ ADVERTENCIA

A fin de reducir el riesgo de incendio, choque eléctrico o de daño a las personas cuando usen el aparato, deben seguirse las precauciones básicas, incluidas las siguientes:

- Lea todas las instrucciones antes de usar este aparato.
- Use este aparato solamente para el propósito que fue diseñado, como se describe en este manual para el usuario.
- No use la lavadora con propósitos de lavandería comercial.
- Esta lavadora cuenta solo con una manguera de entrada de agua para llenar la canasta de lavado con agua fría o caliente. No puede usarse en esta lavadora agua con una temperatura superior a 77 °F (25 °C).

PRECAUCIONES DE SEGURIDAD PARA LA INSTALACIÓN

⚠ PELIGRO

Antes de deshacerse de su viejo aparato, quitele la puerta o la tapa, para que los niños no puedan esconderse ni quedar atrapados dentro del mismo.

- Antes de usarse este aparato, deberá ser debidamente instalado y ubicado de acuerdo a las instrucciones de instalación.
- No guarde este aparato ni lo instale en donde se verá expuesto a temperaturas por debajo del punto de congelación ni expuesto a las inclemencias del tiempo, ya que esto puede ocasionar daños al mismo.
- El aparato deberá ser conectado a tierra como es debido, para que cumpla con todos los códigos y ordenanzas eléctricos. Vea la sección "Requisitos eléctricos".

PRECAUCIONES GENERALES RELATIVAS A LA SEGURIDAD

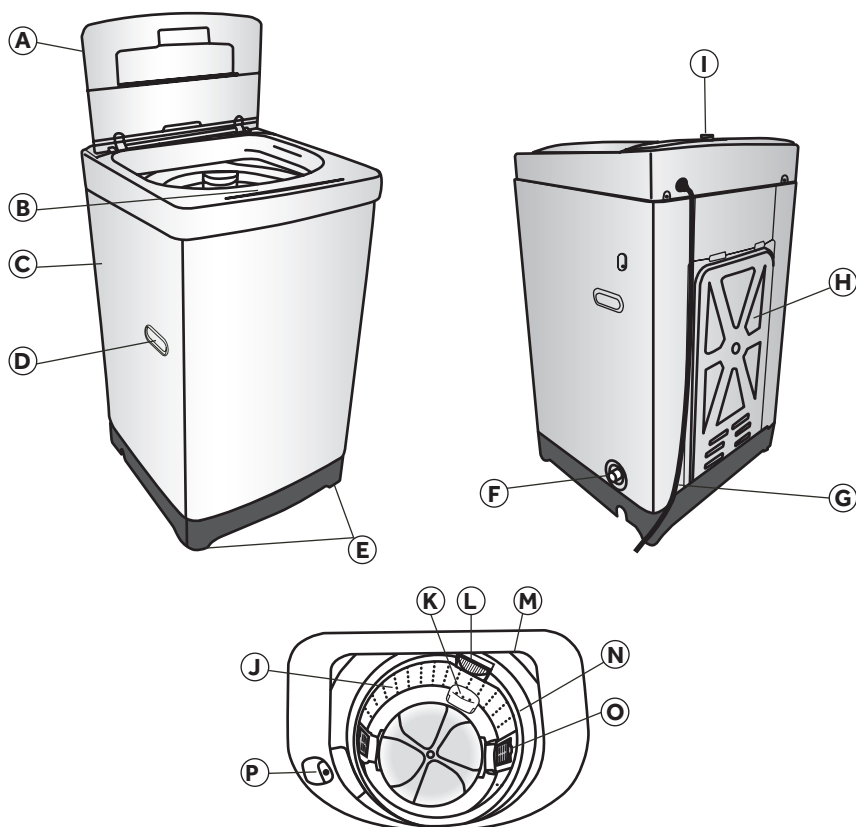
- Mantenga el área alrededor del aparato libre de materiales combustibles, tales como pelusa, papel, trapos o productos químicos.
- Es necesario supervisar cuidadosamente a los niños si los mismos usan el aparato o cuando éste se use cerca de ellos. No permita que los niños jueguen con o sobre este aparato ni en el interior del mismo.
- No coloque artículos que hayan sido previamente limpiados, lavados, puestos en remojo o manchados con gasolina, disolventes de limpieza en seco u otras sustancias inflamables o explosivas en el agua de lavado. Estas sustancias despiden vapores que pueden encenderse o causar una explosión.
- No agregue gasolina, solventes para limpiar en seco u otras sustancias inflamables o explosivas al agua de lavado. Estas sustancias despiden vapores que pueden encenderse o causar una explosión.
- No introduzca las manos en el aparato si la canasta de lavado, la tina o el agitador se está moviendo.
- No trate de forzar los controles.
- Nunca desenchufe la lavadora jalándola del cable eléctrico. Siempre sujete el enchufe con firmeza y jálelo directamente fuera del contacto.
- Para reducir al mínimo la posibilidad de un choque eléctrico, desenchufe este aparato del suministro de energía antes de intentar realizar el mantenimiento o la limpieza.

NOTA: El girar la perilla selectora de ciclos hacia la posición de "Off" (Apagado), NO desconectará el aparato del suministro de energía.

- No intente proveer servicio, reparación ni reemplazar ninguna parte del aparato a menos que esto se recomiende específicamente en este manual o en instrucciones de reparación publicadas para el usuario que usted comprenda y si cuenta con la experiencia necesaria para llevar a cabo dicha reparación.
- Antes de desechar la lavadora o de retirarla del servicio, quítele la puerta o la tapa.

GUARDE ESTAS INSTRUCCIONES SOLAMENTE PARA USO DOMÉSTICO

PIEZAS Y CARACTERÍSTICAS



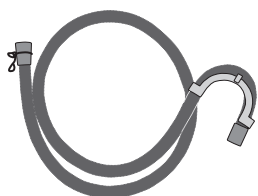
- | | |
|--|---|
| A Tapa superior | I Válvula de entrada de agua |
| B Panel de control | J Canasta de lavado |
| C Carcasa | K Surtidor de potencia |
| D Manija del armario | L Depósito de detergente líquido |
| E Patas niveladoras (2) | M Cubierta exterior de la tina |
| F Conducto de desagüe | N Aro de balance |
| G Cable eléctrico (120 voltios / 60 Hz) | O Filtro de pelusa |
| H Panel de acceso | P Depósito del blanqueador líquido |

INSTRUCCIONES DE INSTALACIÓN

HERRAMIENTAS NECESARIAS

- Alicates
- Llave de tuercas
- Destornillador de hoja plana
- Cinta de medir
- Nivel de carpintero

PIEZAS SUMINISTRADAS



- Abrazadera de la manguera de desagüe
- Gancho de la manguera de desagüe
- Manguera de desagüe
- Manguera de agua (con arandelas planas instaladas previamente)
- Manual para el usuario

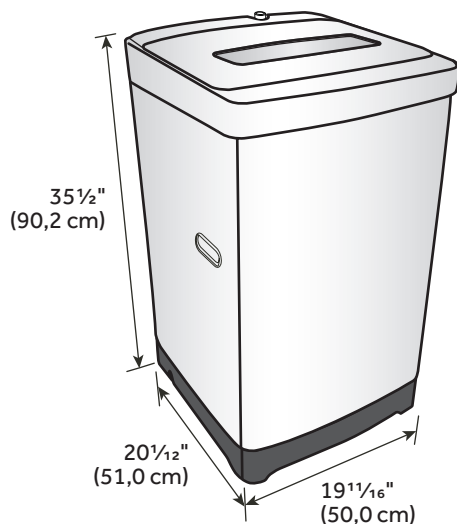
REQUISITOS DE UBICACIÓN

- La lavadora deberá ser instalada sobre un piso sólido, para reducir al mínimo la vibración durante el ciclo de exprimido. El piso de hormigón es el mejor.
- El piso deberá estar nivelado y con un declive máximo de 1" (25 mm) debajo de toda la lavadora.
- Un lugar apropiado, protegido de la luz directa del sol y de fuentes de calor, tales como radiadores, zócalos radiantes o aparatos de cocción.
- No la instale sobre una alfombra.
- El lugar deberá tener un contacto eléctrico conectado a tierra, ubicado a menos de 4 pies (1,2 m) del cable eléctrico, en la parte posterior de la lavadora.
- Los grifos de agua deben estar dentro de los 3 pies (0,9 m) de la conexión de la lavadora.
- Solo conecte a la llave de agua fría (grifo).
- La presión de agua deberá estar entre 20 y 100 lb/pulg² (138 y 690 kPa).

⚠ ADVERTENCIA

No instale ni ponga a funcionar esta lavadora donde estará expuesta a temperaturas por debajo de 32 °F (0 °C). El agua que quede en la lavadora se congelará y ocasionará daños a la misma.

DIMENSIONES DE LA LAVADORA

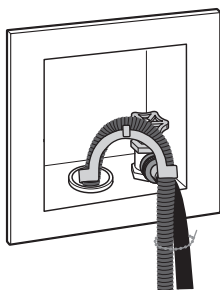


REQUISITOS DEL SISTEMA DE DESAGÜE

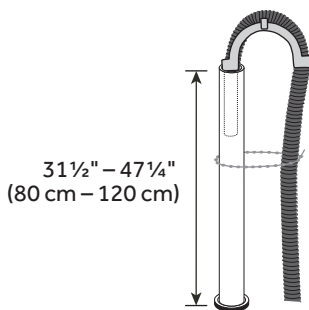
TUBO VERTICAL DE PARED O POR EL PISO

La altura del tubo vertical deberá ser entre 31½" (80 cm) y 47¼" (120 cm) desde la base de la lavadora. El tubo vertical deberá tener un diámetro mínimo de 2" (5 cm).

Pared



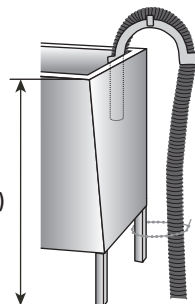
Piso



TINA DE LAVADERO

La tina de lavadero necesita una capacidad mínima de 20 gal (76 L). La tina de lavadero deberá tener una altura de por lo menos 31½" (80 cm) y no más de 47¼" (120 cm).

31½" – 47¼"
(80 cm – 120 cm)



REQUISITOS ELÉCTRICOS

⚠ ADVERTENCIA

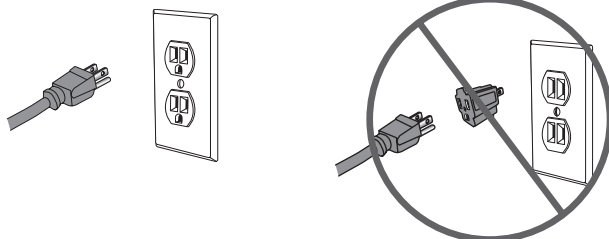
La lavadora deberá ser enchufada en un contacto eléctrico debidamente puesto a tierra, de 120 voltios, 60 Hz, CA solamente, de 15 ó 20 amperios, con fusibles. Se recomienda un fusible retardador o un cortacircuitos.

- Si el suministro eléctrico provisto no satisface los requisitos mencionados anteriormente, póngase en contacto con un electricista competente autorizado.

⚠ ADVERTENCIA

La conexión inadecuada del conductor a tierra para el equipo puede resultar en un riesgo de choque eléctrico. Si no está seguro de que la conexión a tierra del aparato sea la adecuada, verifíquela con un electricista o técnico de servicio competente.

- Este aparato debe estar conectado a tierra. En el caso de funcionamiento defectuoso o avería, la conexión a tierra reducirá el riesgo de choque eléctrico al proporcionar una vía de menor resistencia para la corriente eléctrica.
- Este aparato está equipado con un cable que cuenta con un conductor para la conexión a tierra del equipo y un enchufe de conexión a tierra. El enchufe debe conectarse en un contacto apropiado, que esté debidamente instalado y conectado a tierra de acuerdo con todos los códigos y ordenanzas locales.
- No use un adaptador para cable de 3 terminales.
- No use un cable eléctrico de extensión.



INSTRUCCIONES PASO A PASO

INSTALACIÓN DE LA LAVADORA

Se recomienda que un técnico de aparatos competente instale su nueva lavadora. Si le parece que tiene la habilidad para instalar la lavadora, lea las instrucciones de instalación cuidadosamente antes de hacerlo.

CUIDADO: Si después de seguir estos pasos no está seguro de haber instalado la lavadora adecuadamente, póngase en contacto con un técnico de aparatos competente.

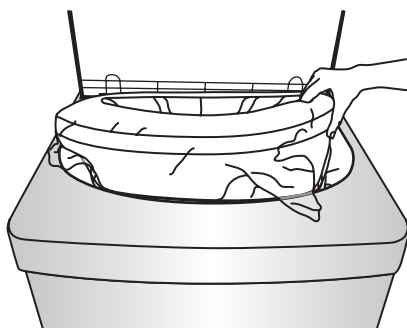
⚠ ADVERTENCIA

Si recién le han entregado la lavadora y la temperatura del exterior estaba por debajo del punto de congelación, no ponga a funcionar la lavadora hasta que alcance la temperatura ambiente.

PASO 1 – DESEMPAQUE DE LA LAVADORA

1. Quite todos los materiales de empaque. Esto incluye la base de espuma y toda la cinta adhesiva que mantiene sujetos los accesorios del interior y el exterior de la lavadora.
2. Abra la tapa superior para quitar el soporte de la canasta de lavado. Jálelo para quitarlo.

NOTA: Guarde el soporte de la canasta de lavado para usarlo cuando mueva la lavadora en el futuro.



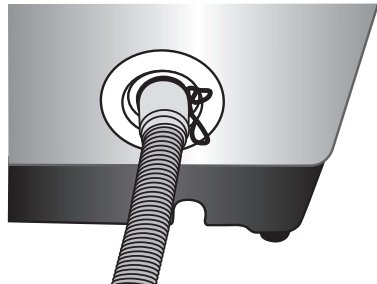
3. Inspeccione y quite los restos de materiales de envío, cinta o material impreso antes de usar la lavadora.

⚠ ADVERTENCIA

Para evitar el peligro de asfixia, mantenga la bolsa de plástico y otros materiales de envío lejos del alcance de los bebés y los niños. No use esta bolsa en cunas, cochecitos ni corrales. La bolsa de plástico podría bloquear la nariz y la boca, impidiendo la respiración. Esta bolsa no es un juguete.

PASO 2 – CONECTE Y ASEGURE LA MANGUERA DE DESAGÜE

1. Agrande la abertura apretando a la vez los extremos de la abrazadera de la manguera de desagüe. Deslice la abrazadera sobre el extremo de la manguera de desagüe y sobre la sección flexible de la manguera.
2. Haga encajar el extremo de la manguera de desagüe sobre el puerto de desagüe de plástico de la lavadora.
3. Apriete los extremos de la abrazadera para agrandar las aberturas y deslice la abrazadera sobre la conexión de la manguera de desagüe y el puerto de desagüe. Suelte la abrazadera para ajustar.
4. Coloque el extremo del gancho de la manguera de desagüe en un tubo o tina de lavadero.
5. Asegure la manguera de desagüe en su lugar sujetándola a una manguera de agua, al tubo vertical o a la pata de la tina de lavadero. Consulte "Requisitos para el sistema de desagüe" para ver las imágenes.

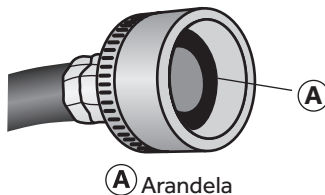


PASO 3 - CONECTE LA MANGUERA DE AGUA

IMPORTANT: Utilice solamente una manguera nueva cuando instale la lavadora.

NOTA: Inspeccione periódicamente la manguera para ver si tiene rajaduras, cortes, fugas o desgaste. Reemplácela con una manguera nueva cada 5 años.

1. Verifique que cada extremo de la manguera de entrada de agua tenga una arandela plana colocada firmemente en su lugar. Las arandelas planas han sido instaladas previamente de fábrica.



(A) Arandela

2. Enrosque a mano la manguera de entrada dentro del grifo de agua hasta que quede ajustado. Luego apriete con pinzas dos tercios de vuelta adicional.

IMPORTANTE: Para evitar daños en los acoplamientos de las mangueras, no los apriete en exceso.

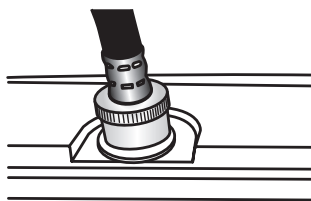
NOTA: Para evitar daños en el grifo, no use cinta de plomero ni ningún tipo de sellador en las roscas de las válvulas.



3. Enrosque a mano el otro extremo de la manguera de entrada en la válvula de entrada en la parte posterior de la lavadora, hasta que quede ajustado. Luego apriete con pinzas dos tercios de vuelta adicional.

IMPORTANTE: Para evitar daños en los acoplamientos de las mangueras, no los apriete en exceso.

NOTA: Para evitar daños en la válvula de entrada de la lavadora, no use cinta de plomero ni selladores en las roscas de las válvulas.



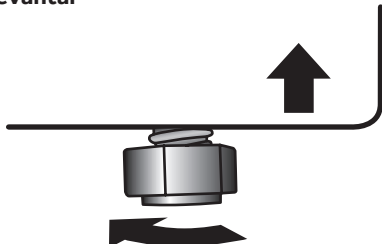
4. Abra el grifo del agua y revise si hay fugas. Si hay alguna fuga, revise nuevamente los pasos 1 al 3.

PASO 4 – NIVELE LA LAVADORA

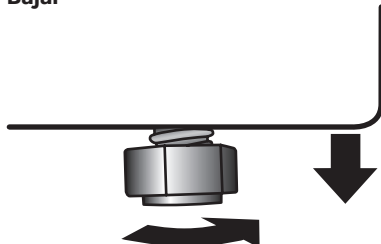
IMPORTANTE: La nivelación apropiada de su lavadora ayudará a reducir el ruido y la vibración.

1. Coloque la lavadora en su ubicación final. Cerciérese de que las líneas de agua y de desagüe no estén tirantes ni pinchadas. Cerciérese de que las cuatro patas estén en contacto firme con el piso y que la lavadora descansa firmemente en su posición.
2. Con un nivel de carpintero, cerciérese de que la lavadora esté nivelada de lado a lado y de frente hacia atrás.
3. Si la lavadora no está nivelada, regule las patas niveladoras. Gírelas hacia la derecha para extender (levantar la lavadora) o hacia la izquierda para retraer (bajar la lavadora).

Levantar

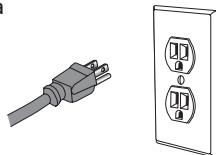


Bajar



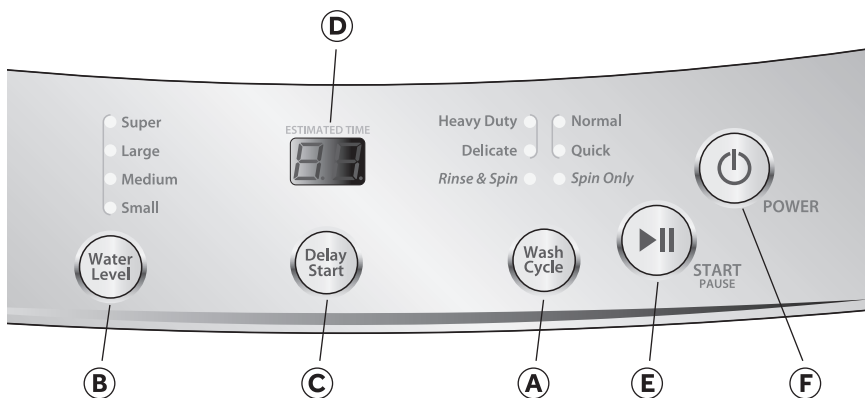
PASO 5 – COMPLETE LA INSTALACIÓN

1. Enchufe la lavadora en un contacto de pared de conexión a tierra de 3 terminales.
2. Verifique que el grifo de agua esté abierto.
3. Deshágase de todos los materiales de embalaje o recíclelos.
4. Ponga a funcionar un ciclo de lavado normal con detergente, para probar y limpiar la lavadora. Consulte la sección "Instrucciones para el funcionamiento".



PANEL DE CONTROL Y CARACTERÍSTICAS

PANEL DE CONTROL



A BOTÓN WASH CYCLE (CICLO DE LAVADO)

- Use este botón para seleccionar el ciclo deseado para su carga de lavado.
- Los ajustes prefijados estándares de cada ciclo aparecerán en pantalla; los ajustes prefijados pueden cambiarse con los botones de ajuste: Wash Temp (Temperatura de lavado), Soil Level (Nivel de suciedad) y Water Level (Nivel de agua).
- Hay 6 ciclos automáticos para elegir:

Heavy Duty (Intenso) - Use este ciclo para prendas durables con suciedad profunda. Este ciclo también puede usarse para toallas, artículos deportivos, ropa de niños, etc.

Normal - Use este ciclo para las prendas de algodón y cargas de telas mixtas con suciedad normal.

Delicate (Ropa delicada) - Use este ciclo para lavar prendas con suciedad ligera y ropa delicada que necesite un lavado delicado.

Quick (Rápido) - Use este ciclo para lavar cargas pequeñas de prendas con suciedad ligera que necesite de prisa.

Rinse & Spin (Enjuague y exprimido) - Use este ciclo para quitar el exceso de detergente y revitalizar las prendas limpias.

NOTA: Hacer funcionar este ciclo con la canasta de lavado vacía puede hacer que el agua se escape de la tina lo que podría dañar el piso.

Spin Only (Sólo exprimido) - Use este ciclo para extraer agua de la tina o de las prendas limpias que estén mojadas.

B BOTONES DE AJUSTE

Botón Water Level (Nivel de agua)

- Use este botón para seleccionar un nivel de agua adecuado para la carga. El ajuste Small (Pequeño) es el nivel más bajo de agua; el ajuste Super (Súper) es el más alto.

C BOTÓN DELAY START (INICIO DIFERIDO)

- Presione este botón para retrasar el inicio del ciclo de lavado entre 1 a 24 horas en incrementos de una hora.
- Use este botón para seleccionar un inicio diferido de la lavadora. La cantidad de horas se mostrará en la pantalla Estimated Time Remaining (Tiempo estimado restante). Cada vez que presione el botón Delay Start (Inicio diferido), el tiempo se incrementará en 1 hora.
- Si presiona el botón después de 24, cancelará la función de inicio diferido. También puede cancelar la función de Delay Start (Inicio diferido) si desconecta la energía de la lavadora con el botón Power (Encendido)
- Se debe seleccionar el botón Start/Pause (Inicio/Pausa) para comenzar la cuenta regresiva.

D PANTALLA ESTIMATED TIME REMAINING (TIEMPO ESTIMADO RESTANTE)

- La pantalla Estimated Time Remaining (Tiempo estimado restante) muestra el tiempo estimado del ciclo en minutos.
- Cuando se usa la opción Delay Start (Inicio diferido), la pantalla Estimated Time Remaining (Tiempo estimado restante) mostrará el tiempo de retraso en horas.

E BOTÓN START/PAUSE (INICIO/PAUSA)

- Presione este botón para poner en marcha un ciclo seleccionado o hacer una pausa en un ciclo que esté en marcha.

NOTA: Luego de iniciar el ciclo de lavado, deberá hacer una pausa en el ciclo que esté en marcha para cambiar los ajustes de Wash Temp (Temperatura de lavado), Soil Level (Nivel de suciedad) y Water Level (Nivel de agua).

F BOTÓN POWER (ENCENDIDO)

- Presione el botón Power (Encendido) para encender la lavadora.

NOTA: Si la lavadora está encendida, pero no se presiona START (Inicio), se apagará automáticamente después de 5 minutos.

GUÍA DE CICLOS

NOTA: Para proteger su carga de lavado, no todas las opciones y ajustes estarán disponibles para todos los ciclos. Las cajas sombreadas indican los ajustes por defecto para cada ciclo.

CICLO	TIPO DE TELA	PROCESO DE LAVADO	TIEMPO EST.	WATER LEVEL (NIVEL DE AGUA)
Heavy Duty (Intenso)	Telas durables que no destiñen, con suciedad profunda	Remojo de 12 minutos Lavado de 25 minutos Rinse (Enjuague) Spin (Exprimido)	:59	Medium (Media)
				Super (Súper) Large (Grande) Small (Pequeño)
Normal	Telas de algodón, lino y prendas mezcladas	Lavado de 16 minutos Enjuague por rociado Spin (Exprimido)	:31	Medium (Media)
				Super (Súper) Large (Grande) Small (Pequeño)
Delicate (Ropa delicada)	Prendas de lencería, telas finas con encaje	Lavado de 10 minutos Rinse (Enjuague) Spin (Exprimido)	:26	Medium (Media)
				Super (Súper) Large (Grande) Small (Pequeño)
Quick (Rápido)	Telas de algodón, lino y prendas mezcladas	Lavado de 9 minutos Rinse (Enjuague) Spin (Exprimido)	:23	Medium (Media)
				Super (Súper) Large (Grande) Small (Pequeño)
Rinse & Spin (Enjuague y exprimido)	Prendas limpias	Rinse (Enjuague) Spin (Exprimido)	:17	Medium (Media)
				Super (Súper) Large (Grande) Small (Pequeño)
Spin Only (Sólo exprimido)	Prendas limpias mojadas	Spin (Exprimido)	:06	n/a

INSTRUCCIONES DE FUNCIONAMIENTO

PASO 1 – PREPARE Y SEPARE LAS PRENDAS

PREPARE LAS PRENDAS

- Revise las etiquetas de las prendas para ver las instrucciones de lavado.
- Vacíe los bolsillos y vuélvalos al revés.
- Dé vuelta los puños y quite la pelusa o la suciedad.
- Ate los cordones y fajas de modo que no se enreden.
- Cierre los zípers, broches de presión y corchetes para evitar que se enganchen.
- Quite los alfileres u otros objetos puntiagudos de las prendas, para evitar que rayen la canasta de la lavadora.
- Trate previamente todas las manchas y las áreas con suciedad profunda.
- Vuelva al revés las prendas sintéticas y los tejidos de lana para evitar que se llenen de motitas.

SEPARE LAS PRENDAS

- Separe las prendas según el ciclo de lavado necesario.
- Separe los colores claros de los colores oscuros, los artículos que no destiñen de los que sí destiñen.
- Separe las telas pesadas de las telas ligeras.
- Separe las telas que atraen pelusa de las telas que sueltan pelusa.
- Separe artículos voluminosos como frazadas o almohadas.

PASO 2 – AGREGUE LOS PRODUCTOS PARA EL CUIDADO DE LAS TELAS

AGREGUE DETERGENTE

- Puede usar detergente líquido o en polvo con esta lavadora. Siga las instrucciones de uso del detergente que aparecen en el recipiente para determinar la cantidad de detergente.

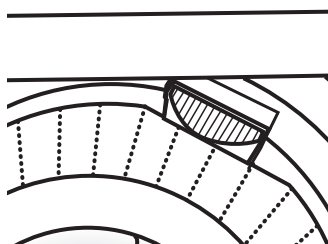
NOTA: La cantidad adecuada de detergente depende del tamaño de la carga, el nivel de suciedad de las prendas y el grado de agua blanda que se suministre a la lavadora.

- Si selecciona el ciclo Quick (Rápido), se recomienda que use detergente de lavandería líquido para alcanzar resultados óptimos. El detergente en polvo puede que no se disuelva lo suficientemente rápido para limpiar bien en este ciclo.
- Determine la cantidad de detergente. Siga las instrucciones de uso del detergente que aparecen en el recipiente.

Detergente líquido

NOTA: Para obtener mejores resultados, permita que el detergente se mezcle con el agua antes de agregar la ropa.

1. Comience el ciclo de lavado y permita que la canasta de lavado se llene con una cantidad pequeña de agua antes de que se distribuya el detergente líquido.
2. Vierta la cantidad medida de detergente líquido directamente en el depósito de detergente.



Detergente en polvo

NOTA: Para obtener mejores resultados, agregue el detergente a la canasta de lavado antes de agregar la ropa.

1. Comience el ciclo de lavado y permita que la canasta de lavado se llene con una cantidad pequeña de agua. Agregue detergente en polvo directamente en la canasta de lavado.

O BIEN

En un recipiente aparte, disuelva el detergente en polvo en agua tibia y vierta la solución directamente en la canasta de lavado.

NOTA: No vierta el detergente en la canasta de lavado sin antes disolverlo en agua. El detergente en polvo sin disolver puede dañar las prendas.

AGREGUE BLANQUEADOR (SI LO DESEA)

NOTA: Debe agregarse blanqueador en el depósito del blanqueador al mismo tiempo que agrega el detergente.

- Vierta una medida de blanqueador líquido con cloro en el depósito de blanqueador líquido con cloro.

NOTA: Use solamente blanqueador líquido en este depósito.

- El blanqueador fluye inmediatamente desde el depósito hacia el espacio entre la tina interior y exterior. Luego se distribuye de modo uniforme a todas las prendas para obtener mejores resultados.

IMPORTANTE: Tenga cuidado de no derramar el blanqueador sobre la carcasa de la lavadora ni sobre la ropa. Debido a que es un producto químico poderoso, puede dañar la ropa o el acabado de la lavadora.



- Siga las instrucciones del fabricante en la etiqueta de las prendas sobre el uso recomendado de blanqueador líquido o en polvo.

PASO 3 – CARGUE LA LAVADORA

1. Abra la tapa de la lavadora. Cargue las prendas en la canasta de lavado de forma uniforme y suelta para obtener una carga equilibrada.
2. Cierre la tapa de la lavadora.

NOTAS:

- No cargue en exceso ni apriete los artículos para que quepan en la canasta de lavado. Sobrecargar la lavadora puede reducir la eficiencia de lavado, causar desgaste excesivo y posiblemente, ocasionar pliegues o arrugas en la carga.
- La lavadora no agitará ni exprimirá con la tapa abierta.

PASO 4 – PONGA LA LAVADORA EN MARCHA

1. Toque el botón POWER (Encendido) para encender la lavadora.
2. Seleccione un ciclo de lavado.
3. Modifique los ajustes y las opciones por defecto, si lo desea.
4. Presione el botón de INICIO/PAUSA para comenzar con el ciclo de lavado.

GUÍA PARA EL CUIDADO Y LA LIMPIEZA

⚠ ADVERTENCIA

Siempre desenchufe la lavadora para evitar un choque eléctrico antes de la limpieza.

El ignorar esta advertencia puede ocasionar la muerte o heridas.

Antes de usar productos de limpieza, siempre lea y siga las instrucciones del fabricante y las advertencias, para evitar daños personales o al producto.

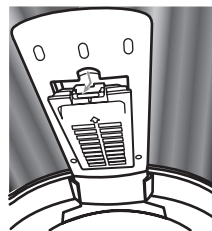
LIMPIEZA Y MANTENIMIENTO

CUIDADO GENERAL

- Utilice solamente un paño húmedo o jabonoso para limpiar el panel de control.
- Si derrama suavizante, blanqueador o detergente líquido o en polvo sobre la carcasa, límpiela inmediatamente con un paño húmedo para evitar daños en el acabado.
- No use productos de limpieza abrasivos, productos químicos irritantes, amoníaco, blanqueador con cloro, detergente concentrado o solventes para limpiar la lavadora. Estos productos químicos pueden disolver, dañar o decolorar la lavadora.
- Luego de lavar la ropa, deje la puerta abierta para que se evapore la humedad del interior de la máquina y así evitar que se forme moho.

FILTRO DE PELUSA

1. Empuje hacia abajo la lengüeta de la parte superior del filtro para liberarlo de la canasta de lavado.
2. Gire el filtro hacia arriba para que el lado posterior del mismo quede mirando hacia arriba.
3. Mientras sostiene firmemente el filtro con una mano, levante de la parte inferior del filtro para separar el frente del filtro de la parte de atrás para que pueda acceder a la malla del filtro.
4. Limpie la malla del filtro y vuelva a colocar la parte de atrás del filtro.
5. Deslice el filtro dentro de la canasta de lavado y presiónelo con firmeza para colocarlo en su lugar.



IMPORTANT: Ambos filtros de pelusa deben estar en su lugar durante los ciclos de lavado. Limpie los filtros de pelusa después de cada carga de lavado.

PRECAUCIONES AL IRSE DE VACACIONES

- Cierre el grifo de suministro de agua. Esto eliminará la posibilidad de daños a su hogar si hay rupturas o fugas en la manguera.
- Desenchufe la lavadora del contacto eléctrico.
- Seque la canasta de lavado.
- Deje la puerta abierta para que se evapore la humedad del interior de la máquina y así evitar que se forme moho.

PREPARACIÓN PARA LA MUDANZA O EL ALMACENAJE

Aparte de seguir las "Precauciones al irse de vacaciones", complete los pasos adicionales indicados a continuación.

- Desconecte la manguera de agua y la manguera de desagüe; colóquelas en la canasta de lavado.
- Gire las patas niveladoras para que queden replegadas completamente dentro de la carcasa de la lavadora.
- Si va a mover la lavadora, coloque el soporte de la canasta de lavado de los materiales originales de envío nuevamente en el interior de la parte superior de la abertura de la lavadora. Asegure la tapa de la lavadora con cinta adhesiva protectora.
- Mueva la lavadora y guárdela solamente en la posición vertical.
- No guarde la lavadora en un ambiente frío en donde las temperaturas estarán por debajo del punto de congelación; guárdela a temperatura ambiente.

SOLUCIÓN DE PROBLEMAS

LA LAVADORA NO FUNCIONA

- Verifique que el cable eléctrico esté enchufado en un contacto de pared de conexión a tierra de 3 terminales.
- Verifique que el receptáculo eléctrico de pared tenga el voltaje correcto.
- Fíjese si el cortacircuitos necesita volver a fijarse o si debe reemplazarse el fusible.
- Verifique que no se haya llenado en exceso la lavadora. Es posible que haya que redistribuir la carga para volver a balancearla.
- Cerciórese de que la tapa de la lavadora esté debidamente cerrada.
- La lavadora hace pausas en algunos ciclos. Esto es normal en el ciclo Delicate (Ropa delicada), que tiene períodos cortos para que la ropa quede en remojo. Durante ese período, no escuchará a la lavadora en funcionamiento. La lavadora volverá a comenzar automáticamente cuando se termine el tiempo de remojo.

PROBLEMAS CON EL AGUA

El flujo de agua está lento o el llenado demora mucho tiempo:

- Verifique que el grifo de agua esté abierto por completo.
- Verifique la manguera de agua para cerciorarse de que no esté enredada, torcida ni pellizcada.

La temperatura del agua es incorrecta:

- Verifique la temperatura del agua. No puede usarse en esta lavadora agua con una temperatura inferior a 77 °F (25 °C).
- Verifique que la manguera de entrada esté conectada debidamente.

Fugas de agua:

- Verifique que esté ajustada la conexión de la manguera de entrada en el grifo y la lavadora.
- Verifique que la conexión de la manguera de desagüe en la lavadora esté segura y que la manguera de desagüe esté colocada como es debido en la ubicación del desagüe.
- Revise la plomería o llame a un plomero.

No drena el agua:

- Verifique que la manguera de desagüe esté conectada correctamente a la lavadora.
- Verifique la posición de la manguera de desagüe. Para que funcione como es debido, la parte superior de la salida de desagüe deberá estar por lo menos 39" (99 cm) por encima del piso.
- Verifique que no esté obstruido el fregadero o el tubo de desagüe.

LA LAVADORA HACE RUIDO

Sonido de golpeteo:

- Es posible que la carga de lavado esté desequilibrada. Haga una pausa en la lavadora y vuelva a distribuir los artículos en la canasta de lavado.

Ruidos de traqueteo o metálicos:

- Es posible que hayan objetos extraños en la tina de lavado. Detenga la lavadora y fíjese si hay objetos extraños, tales como llaves o monedas sueltas.

Sonidos de chirrido:

- La canasta de lavado puede estar sobrecargada. Detenga la lavadora y saque una parte de la carga a lavar.

Ruidos de vibraciones:

- Es posible que la lavadora no esté nivelada. Verifique que las 4 patas niveladoras estén firmemente en el piso y que la lavadora esté nivelada.

PROBLEMAS CON LA ROPA

Arrugas:

- Es posible que se formen arrugas por separar la ropa de un modo inadecuado, cargar en exceso o lavar con la temperatura equivocada.
- Evite cargar en exceso y vuelva a separar la ropa. No mezcle prendas pesadas tales como ropa de trabajo con prendas livianas, tales como blusas, camisas ligeras y artículos delicados. Tal vez necesite lavarlos en agua tibia o fría.

Restos de detergente:

- Es posible que el detergente no se disuelva por completo en climas extremadamente fríos. Use un lavado tibio [temperatura del agua inferior a 77 °F (25 °C)] para lograr los mejores resultados.

NOTA: Es posible que el detergente no se disuelva por completo en agua fría.

- Agregue el detergente antes de colocar las prendas. No vierta el detergente directamente sobre las prendas.

Las prendas se han puesto grisáceas o amarillentas:

- Separe los colores oscuros de los claros y blancos, para evitar la transferencia de tintes.
- Es posible que las cargas grandes y con suciedad profunda necesiten más detergente. Consulte las instrucciones del fabricante de detergente para ver el uso recomendado.

Prendas dañadas:

- Desgarres y enganches – Ate los cordones y las fajas. Vacíe los bolsillos, sujete las correas y cierre los zipers, los ganchos de metal o sujetadores con gancho antes de cargar.
- Manchas de blanqueador – No vierta ni salpique el blanqueador directamente sobre las prendas. Si usa el depósito y todavía ve manchas, pruebe usar blanqueador diluido.
- Desgaste excesivo y desgarres – Siga las instrucciones del fabricante para el cuidado de la prenda.

GARANTÍA LIMITADA

SERVICIO EN EL HOGAR

GARANTÍA COMPLETA POR UN AÑO

Durante 12 meses a partir de la fecha de compra original en la tienda, Haier reparará o reemplazará cualquier pieza del aparato sin costo, incluyendo la mano de obra, si la misma falla debido a defectos en los materiales o en la mano de obra.

GARANTÍA LIMITADA

Después de un año a partir de la fecha de compra original en la tienda, Haier proveerá una pieza sin costo, como se indica a continuación, para reemplazar la pieza mencionada como resultado de defectos en los materiales o en la mano de obra. Haier se hará responsable solamente por el costo de la pieza. Cualquier otro costo tales como la mano de obra, los cargos por viaje, etc., serán responsabilidad del propietario.

Del segundo al quinto año

Haier proveerá la tina exterior de lavado y las piezas de ensamblaje relacionadas con la misma si ésta no logra contener el agua.

Del segundo al séptimo año

Haier proveerá la canasta interior de lavado de acero inoxidable si presentara defectos en los materiales o en la mano de obra.

NOTA: Esta garantía comienza en la fecha de compra de este producto, y el recibo original deberá presentarse al representante autorizado de servicio antes de hacerse las reparaciones bajo la garantía.

Excepciones: Garantía bajo uso comercial o de alquiler

90 días en la mano de obra a partir de la fecha de compra original

90 días en las piezas a partir de la fecha de compra original

No es aplicable ninguna otra garantía.

PARA OBTENER SERVICIO BAJO LA GARANTÍA

Póngase en contacto con el centro de servicio autorizado más cercano a su localidad. Todo servicio deberá ser realizado por un centro de servicio autorizado por Haier. Para obtener el nombre y el número de teléfono del centro de servicio autorizado más cercano, llame al 1-877-337-3639.

Antes de llamar, tenga a mano la siguiente información:

Número de modelo y de serie del aparato.
El nombre y la dirección del distribuidor en donde compró la unidad y la fecha de compra.

Una descripción clara del problema.

Un comprobante de compra (recibo de compra).

Esta garantía cubre servicios para electrodomésticos dentro de los Estados Unidos continental y Canadá y donde esté disponible en Alaska, Hawaii y Puerto Rico.

Lo que no está cubierto bajo esta garantía:

Reemplazo o reparación de fusibles domésticos, cortacircuitos, cableado o plomería.

Un producto cuyo número de serie original haya sido removido o alterado.

Cualquier cargo por servicio que no haya sido identificado específicamente como servicio normal, como puede ser el área o las horas de servicio.

Daños a la ropa.

Daños ocurridos durante el transporte.

Daños ocasionados por la instalación o el mantenimiento inadecuados.

Daños por el uso incorrecto, abuso, accidente, incendio, inundación o fenómenos de la naturaleza.

Daños debidos al servicio efectuado por un distribuidor o centro de servicio que sea diferente del autorizado por Haier.

Daños ocasionados por la corriente, el voltaje o el suministro eléctrico incorrectos.

Daños que resulten de cualquier modificación hecha en el producto, alteración o ajustes no autorizados por Haier.

Ajuste de los controles manejados por el cliente según han sido identificados en el manual del propietario.

Mangueras, perillas, bandejas de pelusa y todos los otros aditamentos, accesorios y piezas desechables.

Cargos por mano de obra, transporte para el servicio y envío para la remoción y el reemplazo de las piezas defectuosas que se efectúen después del período inicial de 12 meses.

Daños ocasionados por un uso diferente al doméstico normal.

Cualquier gasto de transporte y de envío.

ESTA GARANTÍA LIMITADA REEMPLAZA TODAS LAS OTRAS GARANTÍAS, EXPRESAS O IMPLÍCITAS QUE INCLUYAN, ENTRE OTRAS, LAS GARANTÍAS DE COMERCIABILIDAD O DE CAPACIDAD PARA UN PROPÓSITO EN PARTICULAR

El recurso provisto en esta garantía es exclusivo y está otorgado en lugar de cualquier otro recurso.

Esta garantía no cubre daños incidentales o consecuentes, de modo que las limitaciones indicadas anteriormente pueden no aplicarse en su caso. Algunos estados no permiten las limitaciones acerca de cuánto tiempo dura una garantía implícita, de modo que las limitaciones arriba indicadas quizás no le correspondan.

Esta garantía le otorga derechos legales específicos, y es posible que usted tenga otros derechos, los cuales varían de un estado a otro.

Haier America
New York, NY 10018

IMPORTANT

Do Not Return This Product To The Store
If you have a problem with this product, please contact the
"Haier Customer Satisfaction Center" at
1-877-337-3639.

**DATED PROOF OF PURCHASE, MODEL #, AND SERIAL #
REQUIRED FOR WARRANTY SERVICE**

IMPORTANT

Ne pas Réexpédier ce Produit au Magasin
Pour tout problème concernant ce produit, veuillez contacter
le service des consommateurs "Haier Customer Satisfaction Center" au
1-877-337-3639.

**UNE PREUVE D'ACHAT DATEE EST
REQUISE POUR BENEFICIER DE LA GARANTIE.**

IMPORTANTE

No regrese este producto a la tienda
Si tiene algún problema con este producto, por favor contacte el
"Centro de Servicio al Consumidor de Haier" al
1-877-337-3639 (Válido solo en E.U.A).
**NECESITA UNA PRUEBA DE DE COMPRA FECHADA, NÚMERO DE MODELO
Y DE SERIE PARA EL SERVICIO DE LA GARANTÍA**

Made in China
Fabriqué en Chine
Hecho en China

Haier®