

Installation Instructions

Range

Questions? Call 1.800.561.3344 or visit our Website at: www.GEAppliances.ca

⚠ WARNING

FIRE OR EXPLOSION HAZARD

If the information in this manual is not followed exactly, a fire or explosion may result causing property damage, personal injury or death.

Installation must be performed by a qualified installer.

Read these instructions completely and carefully.

Installation of this range must conform with local codes, or in the absence of local codes, with the National Fuel Gas Code, ANSI Z223.1/NFPA 54, latest edition. In Canada, installation must conform with the current Natural Gas Installation Code, CAN/CGA-B149.1 or the current Propane Installation Code, CAN/CGA-B149.2, and with local codes where applicable. This range has been design-certified by CSA International according to ANSI Z21.1, latest edition and Canadian Gas Association according to CAN/CGA-1.1 latest edition.

When installing a gas appliance the use of old flexible connectors can cause gas leaks and personal injury. Always use a **NEW** flexible connector.

Leak testing of the appliance shall be conducted according to the manufacturer instructions.

The range must be electrically grounded in accordance with local codes or, in the absence of local codes, in accordance with the National Electrical Code (ANSI/NFPA 70, latest edition). In Canada, electrical grounding must be in accordance with the current CSA C22.1 Canadian Electrical Code Part 1 and/or local codes. See Electrical Connections in this section.

Do not install this product with an air curtain hood or other range hood that operates by blowing air down on the cooktop. This airflow may interfere with operation of the gas burners resulting in fire or explosion hazard.

FOR YOUR SAFETY:

⚠ WARNING

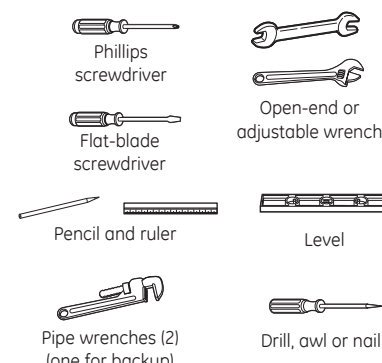
- A child or adult can tip the range and be killed.
- Install the anti-tip bracket to the wall or floor.
- Engage the range to the anti-tip bracket by sliding the range back such that the foot is engaged.
- Re-engage the anti-tip bracket if the range is moved.
- Failure to do so can result in death or serious burns to children or adults.

If you did not receive an anti-tip bracket with your purchase, call 1.800.561.3344 or visit our Website at: www.GEAppliances.ca. For installation instructions of the bracket, visit: www.GEAppliances.ca



⚠ WARNING Before beginning the installation, switch power off at service panel and lock the service disconnecting means to prevent power from being switched on accidentally. When the service disconnecting means cannot be locked, securely fasten a prominent warning device, such as a tag, to the service panel.

TOOLS YOU WILL NEED



MATERIALS YOU MAY NEED

- Gas line shut-off valve
- Pipe joint sealant or UL-approved pipe thread tape with Teflon* that resists action of natural and LP gases
- Flexible metal appliance connector (1/2" I.D.). A 5-foot length is recommended for ease of installation but other lengths are acceptable. Never use an old connector when installing a new range.
- Flare union adapter for connection to gas supply line (3/4" or 1/2" NPT x 1/2" I.D.)
- Flare union adapter for connection to pressure regulator on range (1/2" NPT x 1/2" I.D.)
- Liquid leak detector or soapy water.

*Teflon: Registered trademark of DuPont

BEFORE YOU BEGIN

IMPORTANT — Save these instructions for local inspector's use.

IMPORTANT — Observe all governing codes and ordinances.

IMPORTANT — Remove all packing material and literature from oven before connecting gas and electrical supply to range.

IMPORTANT — To avoid damage to your cabinets, check with your builder or cabinet supplier to make sure that the materials used will not discolor, delaminate or sustain other damage. This oven has been designed in accordance with the requirements of UL and CSA International and complies with the maximum allowable wood cabinet temperatures of 194°F (90°C).

Note to installer – Be sure to leave these instructions with consumer.

Note to consumer – Keep these instructions for future reference.

Service – The electrical diagram is in an envelope attached to the back of the range. Proper installation is the responsibility of the installer.

Product failure due to improper installation is not covered under warranty.

Before installing your range on linoleum or any other synthetic floor covering, make sure the floor covering can withstand 180°F without shrinking, warping or discoloring. Do not install the range over carpeting unless a sheet of 1/4" thick plywood or similar insulator is placed between the range and carpeting.

Mobile Home - Additional Installation Requirements
The installation of this range must conform to the Manufactured Home Construction and Safety Standard, Title 24 CFR, Part 3280 (formerly the Federal Standard for Mobile Home Construction and Safety, Title 24, HUD Part 280). When such standard is not applicable, use the Standard for Manufactured Home Installations, ANSI A225.1/NFPA 501A or with local codes.

In Canada, the installation of this range must conform with the current standards CAN/CSA-A240-latest edition, or with local codes.

When this range is installed in a mobile home, it must be secured to the floor during transit. Any method of securing the range is adequate as long as it conforms to the standards listed above.

DIMENSIONS AND CLEARANCES

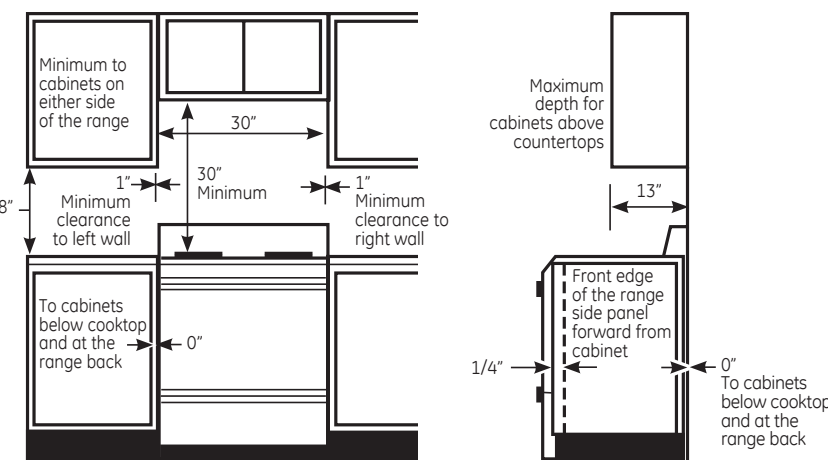
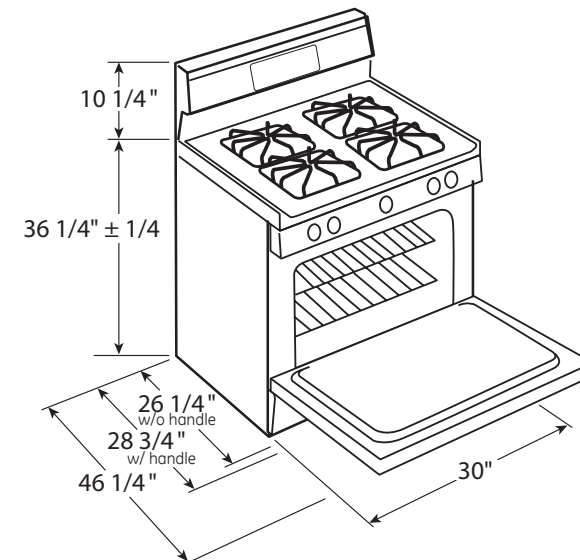
Provide adequate clearances between the range and adjacent combustible surfaces. These dimensions must be met for safe use of your range.

Allow 30" (76.2 cm) minimum clearance between burners and bottom of unprotected wood or metal cabinet, or allow a 24" (61 cm) minimum when bottom of wood or metal cabinet is protected by no less than 1/4" (6.4 mm) thick flame-retardant millboard covered with no less

than No. 28 MSG sheet metal (.015" [38 mm] thick), .015" (.38 mm) thick stainless steel, .025" (0.64 mm) aluminum or .020" (0.5 mm) copper.

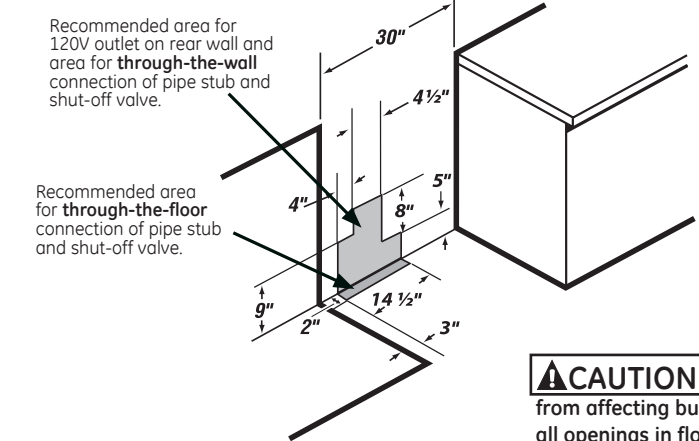
Installation of a listed microwave oven or cooking appliance over the cooktop shall conform to the installation instructions packed with that appliance.

For island installation, maintain 2-1/2" minimum from cutout to back edge of countertop and 3" minimum from cutout to side edges of countertop.



DIMENSIONS AND CLEARANCES (CONT.)

GAS PIPE AND ELECTRICAL OUTLET LOCATIONS



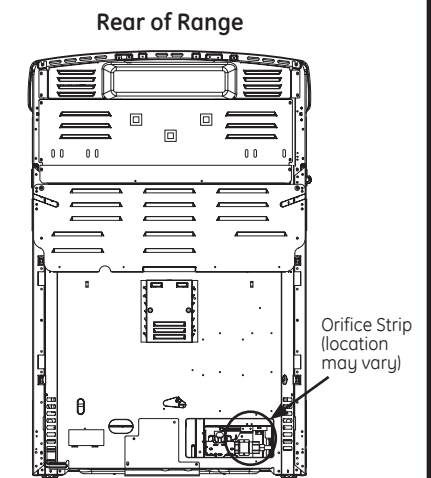
⚠ CAUTION To prevent drafts from affecting burner operation, seal all openings in floor under appliance and behind appliance wall.

CONVERTING TO LP GAS (OR CONVERTING BACK TO NATURAL GAS FROM LP)

This range leaves the factory set for use with natural gas. If you want to convert to LP gas, the conversion must be performed by a qualified LP gas installer.

The conversion orifices and instructions can be found on back of the range.

Keep these instructions and all orifices in case you want to convert back to natural gas.



1 GAS SUPPLY

⚠ WARNING Fire Hazard: Do not use a flame to check for gas leaks.

⚠ WARNING Explosion Hazard: Do not exceed 25 ft-lbs of torque when making gas line connections. Overtightening may crack the pressure regulator resulting in fire or explosion hazard.

Gas Pressure Regulator
You must use the gas pressure regulator supplied with this range. For proper operations the inlet pressure to the regulator should be as follows:

Natural Gas:
Minimum pressure: 6" of Water Column
Maximum pressure: 13" of Water Column

LP Gas:
Minimum pressure: 11" of Water Column
Maximum pressure: 13" of Water Column

If you are not sure about the inlet pressure contact local gas supplier.

Shut off the main gas supply valve before disconnecting the old range and leave it off until the new hook-up has been completed. Don't forget to relight the pilot on other gas appliances when you turn the gas back on.

Because hard piping restricts movement of the range, the use of a CSA International-certified flexible metal appliance connector is recommended unless local codes require a hard-piped connection.

If the hard piping method is used, you must carefully align the pipe; the range cannot be moved after the connection is made.

To prevent gas leaks, put pipe joint compound on, or wrap pipe thread tape with Teflon* around, all male (external) pipe threads.

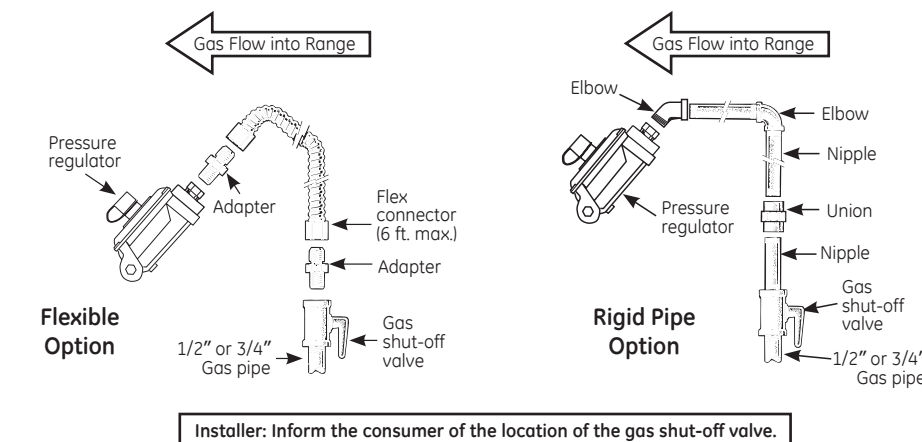
- Install a manual shut-off valve in the gas line in an easily accessed location outside of the range. Make sure everyone operating the range knows where and how to shut off the gas supply to the range.
- Install male 1/2" flare union adapter to the 1/2" NPT internal thread at inlet of regulator. Use a backup wrench on the regulator fitting to avoid damage.
- Install male 1/2" or 3/4" flare union adapter to the NPT internal thread of the manual shut-off valve, taking care to back-up the shut-off valve to keep it from turning.
- Connect flexible metal appliance connector to the adapter on the range. Position range to permit connection at the shut-off valve.
- When all connections have been made, make sure all range controls are in the off position and turn on the main gas supply valve. Use a liquid leak detector at all joints and connections to check for leaks in the system.

When using pressures greater than 1/2 psig to pressure test the gas supply system of the residence, disconnect the range and individual shut-off valve from the gas supply piping. When using pressures of 1/2 psig or less to pressure test the gas supply system, simply isolate the range from the gas supply system by closing the individual shut-off valve.

When checking for proper operation of the regulator, the inlet pressure must be at least 1" greater than the operating (manifold) pressure as given on rating label of product.

*Teflon: Registered trademark of DuPont

CONNECTOR HOOKUP



2 ELECTRICAL CONNECTIONS

⚠ WARNING Shock Hazard: This appliance must be properly grounded. Failure to do so can result in electric shock.

Electrical Requirements - 120-volt, 60 Hertz, properly grounded dedicated circuit protected by a 15-amp or 20-amp circuit breaker or time delay fuse.

Note: Use of automatic, wireless, or wired external switches that shut off power to the appliance are not recommended for this product.

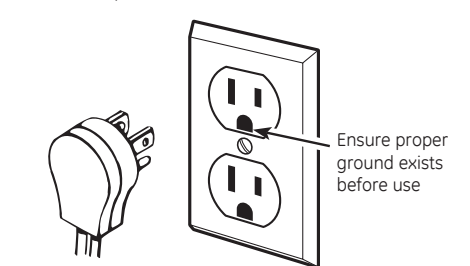
Grounding
The power cord of this appliance is equipped with a three-prong (grounding) plug which plugs into a standard three-prong grounding wall receptacle to minimize the possibility of electric shock hazard from this appliance.

The customer should have the wall receptacle and circuit checked by a qualified electrician to make sure the receptacle is properly grounded.

Where a standard two-prong wall receptacle is encountered, it is the personal responsibility and obligation of the customer to have it replaced with a properly grounded three-prong wall receptacle.

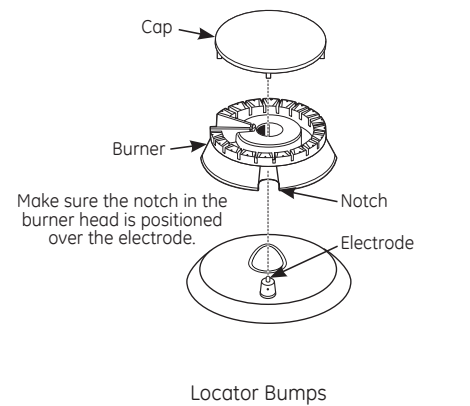
DO NOT, UNDER ANY CIRCUMSTANCES, CUT OR REMOVE THE THIRD (GROUND) PRONG FROM THE POWER CORD. DO NOT USE AN ADAPTER. DO NOT USE AN EXTENSION CORD.

Ground Fault Circuit Interrupters (GFCI's) are not required or recommended for gas range receptacles. Performance of the range will not be affected if operated on a GFCI-protected circuit but occasional nuisance tripping of the GFCI breaker is possible.



3 SURFACE BURNERS

⚠ WARNING Fire or Explosion Hazard: Do not operate the burner without all burner parts in place.



- Burners** - Place surface burners into corresponding positions on cooktop.
- Caps** - Place caps on proper size burner..
- Single Grates** - Place the oval (center) head/cap assembly over the electrode on the cooktop.

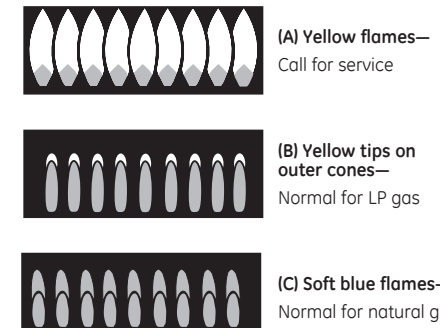
4 CHECK SURFACE BURNERS

Push and turn knob to LITE position. You will hear a clicking sound indicating proper operation of the spark module. Once the air has been purged from the supply lines, burners should light within 4 seconds. After burner lights, rotate knob out of the LITE position. Try each burner in succession until all burners have been checked.

Quality of Flames
The flame quality of the burners needs to be determined visually.

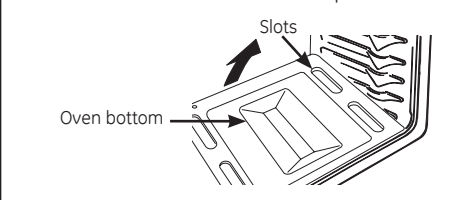
If burner flames look like (A), call for service. Normal burner flames should look like (B) or (C), depending on the type of gas you use.

With LP gas, some yellow tipping on outer cones is normal.



5 CHECK BAKE AND BROIL BURNERS

- To remove the oven bottom:**
 - Remove the screws holding down rear of the oven bottom.
 - Grasp the oven bottom at rear slots on each side.
 - Lift the rear of the oven bottom and slide it back until it clears the lip of the range frame at the front. Then lift bottom up and out.

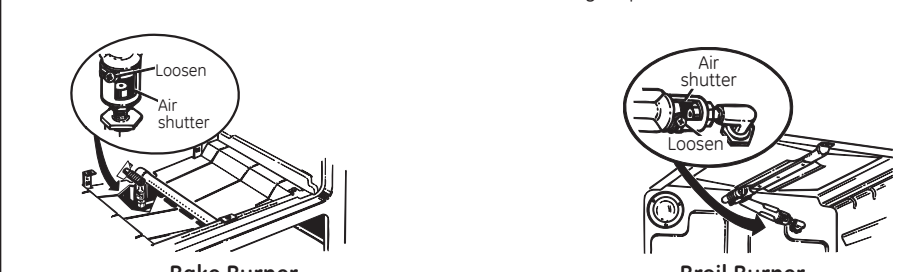


- **Set Bake function to 350°F. Burner should light in 30 to 90 seconds.**
- **Check Flame Quality.**
 - Flames should have approximately 1" blue cones.
 - Natural gas should burn with no yellow flames.
 - LP gas flames have slight yellow tips
 - After warming up, the flame should not lift off the burner.
- **Check broil burner using the same method as the bake burner.**

6 ADJUST BAKE AND BROIL AIR SHUTTER IF NECESSARY

To adjust the flow of air to either burner, loosen the Phillips head screw and rotate the shutter as needed.

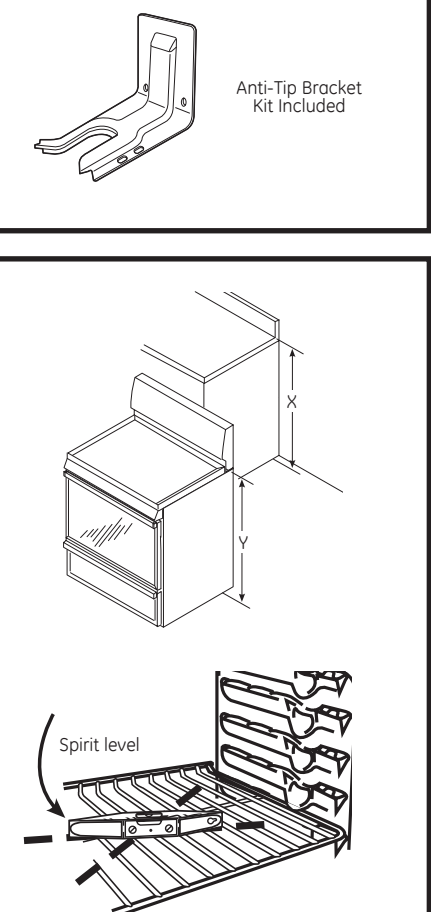
- If the flames are yellow, open shutter more than the original setting.
 - If the flames lift off the burner, close the air shutter more than the original setting.
- Check flames again and adjust further if necessary. Replace oven bottom.



8 LEVEL THE RANGE

⚠ WARNING Never completely remove the leveling leg as the range will not be secured to the anti-tip device properly.

- Plug in the unit.
- Measure the height of your countertop at the rear of the opening (X).
- Adjust two rear leveling legs so that the rear of cooktop is at the same height as the counter (Y).
- Slide unit into place.
- Install oven shelves in the oven and position the range where it will be installed.
- Check for levelness by placing a spirit level on one of the oven shelves. Take two readings—with the level placed diagonally first in one direction and then the other.
- Adjust front leveling legs until the range is level.
- Look under the unit and verify that the rear leg is fully engaged with the anti-tip device. If not, remove the unit and adjust the height of the rear leg so that it is properly engaged.



WHEN ALL HOOKUPS ARE COMPLETED

Make sure all controls are left in the off position. Make sure the flow of combustion and ventilation air to the range is unobstructed.

Check that all packing materials and tape have been removed. This will include tape on metal panel under control knobs (if applicable), adhesive tape, wire ties, cardboard and protective plastic. Failure to remove these materials could result in damage to the appliance once the appliance has been turned on and surfaces have heated.

Instructions d'installation Cuisinière

Des questions? Téléphonez au 1-800-561-3344 ou visitez le www.electromenagersge.ca

⚠️ AVERTISSEMENT

RISQUE D'INCENDIE OU D'EXPLOSION

Si l'information contenue dans ce guide n'est pas suivie rigoureusement, il pourra en résulter un feu ou une explosion entraînant des dommages matériels, des blessures ou même la mort.

L'installation de l'appareil doit être effectuée par un installateur compétent.

Lisez attentivement toutes ces instructions.

L'installation de cette cuisinière doit être conforme aux codes locaux ou, en l'absence de ceux-ci, à la dernière édition du National Fuel Gas Code ANSI Z223.1/NFPA 54. Au Canada, l'installation doit être conforme au Code d'installation du gaz naturel CAN/CGA-B149.1 ou au Code d'installation du propane CAN/CGA-B149.2 en vigueur et aux codes locaux. La conception de cette cuisinière a été certifiée par CSA International conformément à la dernière édition du code ANSI Z21.1 et par l'Association canadienne du gaz conformément à la dernière édition du code CAN/CGA-1.1.

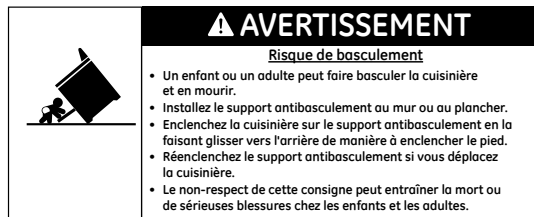
Lorsque vous installez un appareil au gaz, l'utilisation de raccords flexibles usagés peut être à l'origine de fuites de gaz et de blessures. Utilisez toujours un **NOUVEAU** raccord flexible.

La vérification de l'absence de fuite doit être effectuée conformément aux instructions du fabricant de l'appareil.

La cuisinière doit être mise à la terre conformément aux codes locaux en vigueur ou, en l'absence de ces codes, conformément à la dernière édition du Code national de l'électricité ANSI/NFPA 70. Au Canada, la mise à la terre doit être conforme au Code canadien de l'électricité CSA C22.1, partie 1, en vigueur et/ou aux codes locaux. Reportez-vous au chapitre Raccordements électriques de cette section.

N'installez pas cet appareil avec une hotte à rideau d'air ou tout autre type de hotte qui projette de l'air vers la cuisinière en contrebas. Cette circulation d'air peut interférer avec le fonctionnement des brûleurs à gaz, ce qui peut provoquer un risque d'incendie ou d'explosion.

POUR VOTRE SÉCURITÉ :

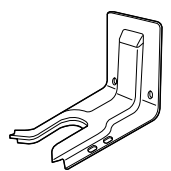


⚠️ AVERTISSEMENT

Risque de basculement

- Un enfant ou un adulte peut faire basculer la cuisinière et en mourir.
- Installez le support antibasculement au mur ou au plancher.
- Enclenchez la cuisinière sur le support antibasculement en la faisant glisser vers l'arrière de manière à enclencher le pied.
- Réenclenchez le support antibasculement si vous déplacez la cuisinière.
- Le non-respect de cette consigne peut entraîner la mort ou de sérieuses blessures chez les enfants et les adultes.

Si vous n'avez pas reçu de support antibasculement avec votre cuisinière, composez le 1-800-626-8774 pour en recevoir un sans frais. (Au Canada, téléphonez au 1-800-561-3344.) Pour obtenir les instructions d'installation du support, consultez : www.GEAppliances.com. (Au Canada, www.electromenagersge.ca.)

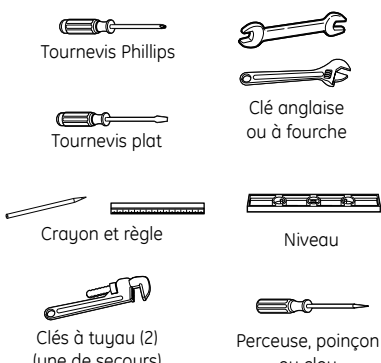


Ensemble de support antibasculement inclus

⚠️ AVERTISSEMENT

Avant de commencer l'installation, coupez le courant au tableau de distribution et bloquez le disjoncteur pour éviter que le courant ne soit accidentellement rétabli. S'il n'est pas possible de bloquer le disjoncteur, posez un avertissement bien visible, comme une étiquette, sur le tableau de distribution.

OUTILS DONT VOUS AUREZ BESOIN



ARTICLES DONT VOUS POURRIEZ AVOIR BESOIN

- Robinet d'arrêt de gaz
- Produit d'étanchéité pour joint ou ruban pour filetage au téflon*, homologué UL et résistant au gaz naturel et au GPL.
- Raccord flexible métallique pour électroménager (diam. int. de 1/2 po). Une longueur de 5 pi peut supporter une température de 180 °F (80 °C) sans rétrécir, se déformer ou se décolorer. N'installez pas la cuisinière sur de la moquette ou un tapis à moins de mettre une planche de contreplaqué ou d'un autre type d'isolant d'une épaisseur de 1/4 po entre la cuisinière et la moquette/le tapis.
- Raccord-union pour tuyau d'alimentation de gaz (3/4 po ou 1/2 po NPT x 1/2 po de diamètre intérieur.)
- Raccord-union pour régulateur de pression de la cuisinière (1/2 po NPT x 1/2 po de diamètre intérieur.)
- Détecteur de fuites de liquides ou eau savonneuse.

*Téflon : Marque de commerce déposée de DuPont

AVANT DE COMMENCER

IMPORTANT — Conservez ces instructions pour l'inspecteur local.

IMPORTANT — Respectez tous les codes et règlements en vigueur.

IMPORTANT — Enlevez tout le matériel d'emballage et la documentation du four avant de raccorder le gaz et l'électricité à la cuisinière.

IMPORTANT — Pour éviter d'endommager vos armoires, assurez-vous auprès de votre entrepreneur ou de votre fournisseur d'armoire que les matériaux utilisés ne décoloreront pas, ne décoloreront pas ou ne subiront pas d'autres dommages. Ce four est conçu conformément aux exigences UL et CSA International et respecte la température maximale autorisée pour les armoires de bois de 194 °F (90 °C).

Remarque destinée à l'installateur – Veillez à laisser ces instructions au consommateur.

Avant de commencer l'installation, coupez le courant au tableau de distribution et bloquez le disjoncteur pour éviter que le courant ne soit accidentellement rétabli. S'il n'est pas possible de bloquer le disjoncteur, posez un avertissement bien visible, comme une étiquette, sur le tableau de distribution.

Réparateur – Le schéma électrique se trouve dans une enveloppe fixée au dos de la cuisinière. L'installateur est responsable de la qualité de l'installation.

Une panne de ce produit causée par une mauvaise installation n'est pas couverte par la garantie.

Avant d'installer votre cuisinière sur du linoléum ou tout autre revêtement de sol synthétique, assurez-vous que le revêtement de sol peut supporter une température de 180 °F (80 °C) sans rétrécir, se déformer ou se décolorer. N'installez pas la cuisinière sur de la moquette ou un tapis à moins de mettre une planche de contreplaqué ou d'un autre type d'isolant d'une épaisseur de 1/4 po entre la cuisinière et la moquette/le tapis.

Maison mobile - Exigences d'installation additionnelles

L'installation de cette cuisinière doit être conforme au Manufactured Home Construction and Safety Standard, Titre 24 CFR, Partie 3280 (anciennement Federal Standard for Mobile Home Construction and Safety, Titre 24, HUD/section 280). Lorsque cette norme n'est pas applicable, reportez-vous au Standard for Manufactured Home Installations, ANSI A225.1/ NFPA 501A ou aux codes locaux.

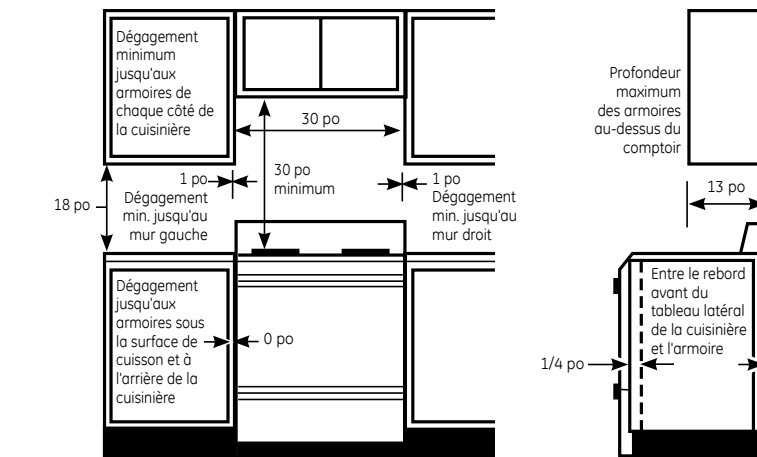
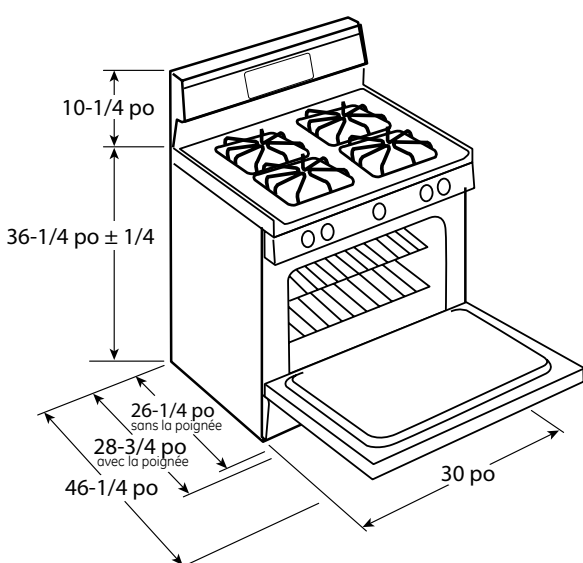
Au Canada, l'installation de cette cuisinière doit se faire conformément aux normes actuelles CAN/CSA-A240, dernière édition, ou aux codes locaux.

Cette cuisinière doit être fixée au plancher lorsqu'elle est installée dans une maison mobile. Toute méthode pour fixer la cuisinière est adéquate si elle est conforme aux normes citées ci-dessus.

DIMENSIONS ET DÉGAGEMENT

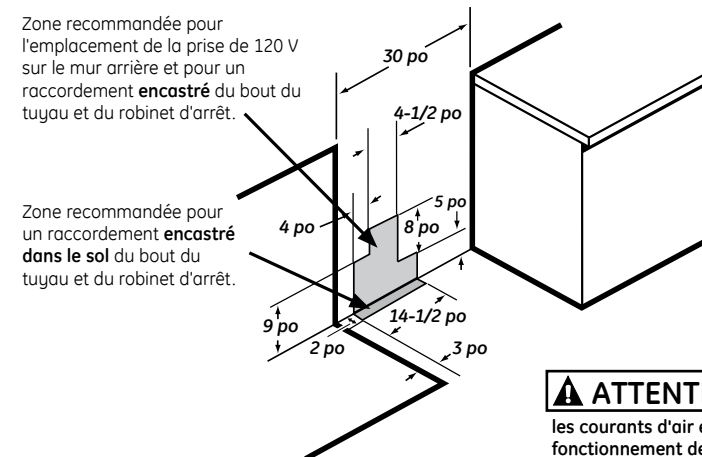
Laissez des dégagements suffisants entre la cuisinière et les surfaces adjacentes combustibles. Ces dimensions doivent être respectées pour utiliser votre cuisinière en toute sécurité.

Laissez un dégagement d'au moins 30 po entre les brûleurs et le bas de l'armoire en métal ou en bois non protégé, ou laissez un dégagement d'au moins 24 po lorsque le bas de l'armoire en métal ou en bois est protégé à l'aide d'un carton fort ignifuge d'au moins 1/4 po d'épaisseur recouvert d'une feuille de métal n° 28 MSG (épaisseur de 0,015 po), d'acier inoxydable (épaisseur de 0,015 po), d'aluminium (épaisseur de 0,025 po) ou de cuivre (épaisseur de 0,020 po).



DIMENSIONS ET DÉGAGEMENTS (SUITE)

EMPLACEMENT DU TUYAU DE GAZ ET DE LA PRISE ÉLECTRIQUE



⚠️ ATTENTION

Afin d'empêcher les courants d'air et d'éviter un mauvais fonctionnement des brûleurs, obstruez toutes les ouvertures du plancher situées sous l'appareil et celles du mur arrière.

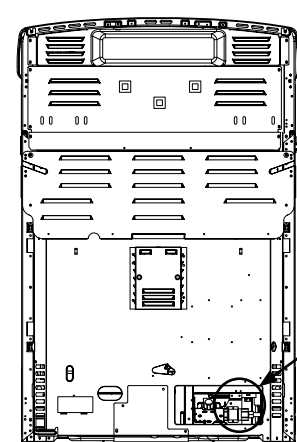
CONVERSION AU GPL (OU RECONVERSION DU GPL AU GAZ NATUREL)

Cette cuisinière est pré-réglée en usine pour une utilisation au gaz naturel. Si vous voulez convertir la cuisinière au GPL, la conversion doit être effectuée par un installateur GPL qualifié.

Les instructions et les gicleurs pour la conversion se trouvent à l'arrière de la cuisinière.

Conservez ces instructions et tous les gicleurs au cas où vous souhaiteriez reconverter la cuisinière au gaz naturel.

Arrière de la cuisinière



Boîtier de gicleur (l'emplacement peut varier)

1 ALIMENTATION EN GAZ

⚠️ AVERTISSEMENT

Risque d'incendie : N'utilisez jamais une flamme pour vérifier la présence d'une fuite de gaz.

⚠️ AVERTISSEMENT

Risque d'explosion : ne dépassez pas un couple de 25 pi-lb (1,2 kPa) lorsque vous procédez aux raccordements ou gaz. Un serrage excessif peut faire fendre le régulateur de pression et provoquer un risque d'incendie ou d'explosion.

Régulateur de pression au gaz

Vous devez utiliser le régulateur de pression au gaz fourni avec cette cuisinière. Pour un bon fonctionnement, la pression d'entrée du régulateur devrait avoir les paramètres suivants :

Gaz naturel :

Pression minimale : 6 po de colonne d'eau
Pression maximale : 13 po de colonne d'eau

GPL :

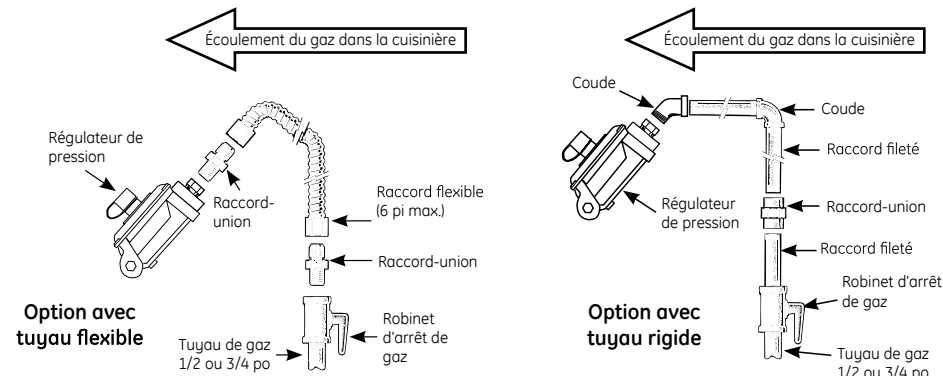
Pression minimale : 11 po de colonne d'eau
Pression maximale : 13 po de colonne d'eau

Si vous n'êtes pas certain au sujet de la pression d'entrée, contactez votre fournisseur de gaz local.

Fermez le robinet général d'alimentation en gaz avant de débrancher l'ancienne cuisinière et laissez-le fermé jusqu'à ce que l'installation de la nouvelle cuisinière soit terminée. N'oubliez pas de rallumer la veilleuse des autres appareils électroménagers à gaz lorsque vous rouvrez le système d'alimentation en gaz.

Étant donné que les tuyaux rigides restreignent le déplacement de la cuisinière, l'utilisation d'un raccord flexible métallique pour électroménager, certifié par CSA International, est recommandée lorsqu'il est utilisé avec les codes locaux exigent un raccord rigide. Si vous utilisez un raccord rigide, vous devez bien aligner le tuyau sur le raccord. La cuisinière ne peut plus être déplacée une fois le raccordement effectué.

RACCORD FLEXIBLE



Remarque destinée à l'installateur : Indiquez l'emplacement du robinet d'arrêt de gaz au consommateur.

Pour éviter les fuites de gaz, appliquez un produit d'étanchéité sur tous les filetages mâles (extérieurs) ou entourez-les d'un ruban pour filetage au téflon*.

- Installez un robinet manuel d'arrêt de gaz sur le tuyau d'alimentation en gaz à un endroit facilement accessible en dehors de la cuisinière. Assurez-vous que toute personne qui utilise la cuisinière sait où et comment couper l'alimentation en gaz de celle-ci.
- Installez un raccord-union de 1/2 po dans le filetage intérieur NPT de 1/2 po à l'entrée du régulateur. Utilisez une deuxième clé pour maintenir le raccord du régulateur et éviter de l'endommager.
- Installez un raccord-union de 1/2 po ou 3/4 po sur le filetage intérieur NPT du robinet manuel d'arrêt de gaz en prenant soin de retenir le robinet pour qu'il ne tourne pas.
- Installez le raccord flexible métallique pour électroménager sur le raccord de la cuisinière. Positionnez la cuisinière de façon à permettre le raccordement au niveau du robinet d'arrêt.
- Lorsque toutes les connexions ont été effectuées, assurez-vous que tous les boutons de la cuisinière sont en position d'arrêt et ouvrez le robinet d'alimentation en gaz. Vérifiez l'absence de fuites au niveau de tous les joints et raccords à l'aide d'un détecteur de fuites de liquides.

Lorsque vous utilisez des pressions de plus de 1/2 lb/po² (3,5 kPa) pour faire un essai de pression sur le système d'alimentation en gaz de votre domicile, débranchez la cuisinière et le robinet d'arrêt individuel de la tuyauterie d'alimentation en gaz. Lorsque vous utilisez des pressions de 1/2 lb/po² (3,5 kPa) ou moins pour faire un essai de pression sur le système d'alimentation en gaz, isolez tout simplement la cuisinière du système d'alimentation en gaz en fermant le robinet d'arrêt individuel.

Lorsque vous vérifiez si le régulateur fonctionne correctement, la pression d'entrée doit dépasser la pression de fonctionnement (ou collecteur) indiquée sur la plaque signalétique du produit d'au moins 1 po.

*Téflon : Marque de commerce déposée de DuPont

2 RACCORDEMENTS ÉLECTRIQUES

⚠️ AVERTISSEMENT

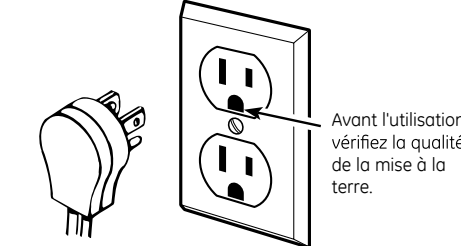
Risque de choc électrique : Cet appareil doit être correctement mis à la terre. Sinon, vous pourriez recevoir un choc électrique.

Exigences électriques – Un circuit indépendant correctement mis à la terre de 120 V et 60 Hz, protégé par un disjoncteur ou un fusible temporisé de 15 ou 20 ampères.

Remarque : L'utilisation d'interrupteurs externes automatiques, sans fil, ou connectés qui coupent l'alimentation à l'appareil n'est pas recommandée pour ce produit.

Mise à la terre
Pour diminuer les risques de choc électrique, le cordon d'alimentation de cet appareil est muni d'une fiche à trois broches (mise à la terre) conçue pour une prise murale à trois alvéoles, mise à la terre.

Le client doit s'adresser à un électricien qualifié qui vérifiera la prise murale et le circuit électrique pour s'assurer que la prise murale est correctement mise à la terre.

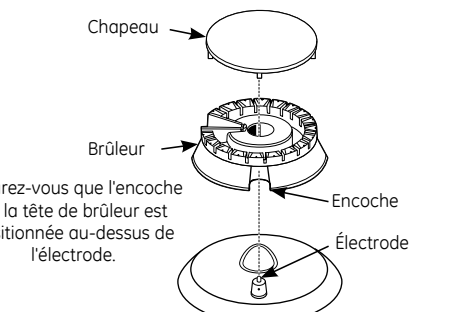


Avant l'utilisation, vérifiez la qualité de la mise à la terre.

3 BRÛLEURS DE LA SURFACE DE CUSSION

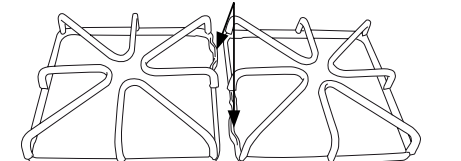
⚠️ AVERTISSEMENT

Risque d'incendie ou d'explosion : Ne faites pas fonctionner le brûleur sans que toutes ses pièces ne soient en place.



Assurez-vous que l'encoche de la tête de brûleur est positionnée au-dessus de l'électrode.

- Brûleurs** : Placez les brûleurs aux positions correspondantes sur la surface de cuisson.
- Chapeaux** : Placez les chapeaux sur les brûleurs de la bonne dimension.
- Grilles simples** : Placez l'ensemble de tête et de chapeau de brûleur (central) ovale sur l'électrode de la surface de cuisson.



4 VÉRIFICATION DES BRÛLEURS DE LA SURFACE DE CUSSION

Poussez et tournez le bouton pour le placer à la position LITE (allumage). Vous entendrez un « clic » indiquant le bon fonctionnement du module d'allumage. Lorsque l'air a été évacué des tuyaux de gaz, les brûleurs doivent s'allumer dans les 4 secondes. Une fois le brûleur allumé, tournez le bouton pour quitter la position LITE (allumage). Essayez chaque brûleur jusqu'à ce que tous les brûleurs aient été vérifiés.

Qualité des flammes

La qualité des flammes des brûleurs se détermine visuellement.

Si les flammes des brûleurs ressemblent à l'illustration (A), contactez un service de dépannage. Des flammes normales doivent ressembler aux illustrations (B) ou (C), selon le type de gaz utilisé.

Avec le GPL, il est normal que l'extérieur (le bout) des flammes soit jaune.



(A) Flammes jaunes : Contactez un service de dépannage.



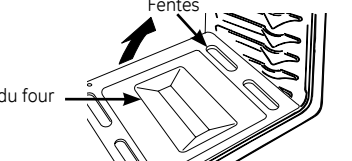
(B) Extérieur (bout) des flammes jaune : Normal pour le GPL.



(C) Petites flammes bleues : Normal pour le gaz naturel.

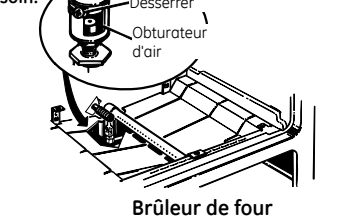
5 VÉRIFICATION DES BRÛLEURS DE CUSSION ET DE GRIL

- **Pour retirer le sole du four :**
 - Retirez les vis qui retiennent l'arrière de la sole du four.
 - Saisissez la sole du four par les fentes arrière situées de chaque côté.
 - Soulevez l'arrière de la sole du four et glissez-la vers l'arrière pour dégager le bord du châssis de la cuisinière à l'avant. Ensuite, soulevez la sole pour la sortir.
- **Réglez la fonction de cuisson au four à 350 °F (176,7 °C). Le brûleur devrait s'allumer dans les 30 à 90 secondes.**
- **Vérification de la qualité de la flamme.**
 - Les flammes devraient avoir des cônes bleus d'environ 1 po.
 - Le gaz naturel brûle sans flammes jaunes.
 - Les flammes alimentées au GPL possèdent des bouts légèrement jaunes.
 - Après s'être réchauffée, la flamme ne doit pas s'élever du brûleur.
- **Vérifiez le brûleur du gril à l'aide de la même méthode que les brûleurs de cuisson.**



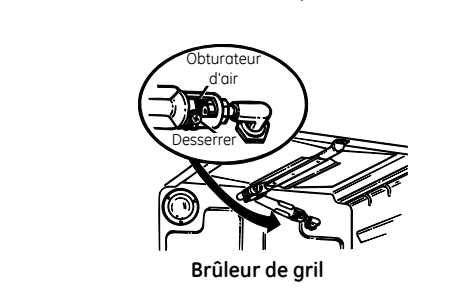
6 RÉGLAGE DE L'OBTURATEUR D'AIR POUR LES BRÛLEURS DE CUSSION ET DE GRIL AU BESOIN

Pour modifier le flux de l'air qui arrive à chaque brûleur, desserrez la vis à tête Phillips et faites tourner l'obturateur selon le besoin.



- Si les flammes sont jaunes, l'obturateur d'air doit être plus ouvert qu'il ne l'était à son réglage d'origine.
- Si les flammes s'élèvent du brûleur, fermez davantage l'obturateur d'air qu'il ne l'était à son réglage d'origine.

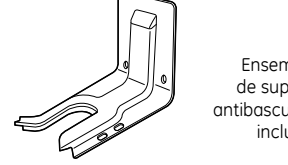
Vérifiez de nouveau les flammes et ajustez-les encore au besoin. Remettez la sole du four en place.



7 INSTALLATION ET VÉRIFICATION DU DISPOSITIF ANTIBASCULEMENT

⚠️ AVERTISSEMENT

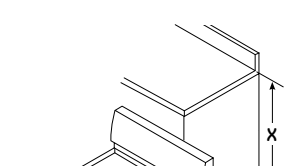
Ne retirez jamais complètement les pieds de mise à niveau, car la cuisinière ne serait pas bien fixée au support antibasculement.



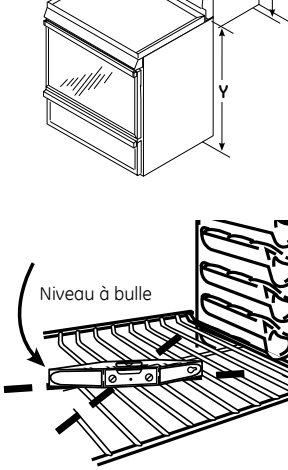
8 MISE À NIVEAU DE LA CUISINIÈRE

⚠️ AVERTISSEMENT

Ne retirez jamais complètement les pieds de mise à niveau, car la cuisinière ne serait pas bien fixée au support antibasculement.



- Branchez l'appareil.
- Mesurez la hauteur de votre comptoir à l'arrière de l'ouverture (X).
- Ajustez les deux pattes de mise à niveau arrière, afin que l'arrière de la surface de cuisson soit à la même hauteur que le comptoir (Y).
- Faites glisser l'appareil en place.
- Installez les grilles dans le four et mettez la cuisinière où elle sera installée.
- Vérifiez le niveau en plaçant un niveau à bulle sur l'une des grilles du four. Prenez deux lectures en plaçant le niveau à la diagonale d'abord dans une direction, puis dans l'autre.
- Réglez le niveau des pieds jusqu'à ce que la cuisinière soit de niveau.
- Regardez sous l'appareil pour vérifier que le pied arrière est entièrement enclenché dans le dispositif antibasculement. Si ce n'est pas le cas, retirez l'appareil et ajustez la hauteur du pied arrière afin qu'il soit correctement enclenché.



UNE FOIS TOUTS LES RACCORDEMENTS EFFECTUÉS

Assurez-vous que tous les boutons sont en position d'arrêt. Veillez à ce que le flux de l'air de combustion et de l'air de ventilation de la cuisinière ne soit pas entravé.

Vérifiez que tout le matériel d'emballage et le ruban ont été enlevés. Le matériel d'emballage comprend le ruban situé sur le panneau de métal en dessous des boutons de commande (s'il y a lieu), le ruban adhésif, les attaches métalliques, le carton et le plastique de protection. Si vous n'enlevez pas tout ce matériel, vous pourriez endommager l'appareil une fois qu'il aura été mis en fonction et que les surfaces auront chauffé.

1 po = 2,5 cm ; 1 pi = 0,3 m