



Built-In Electric Wall Oven

Safety Information 2

Warranty..... 4

Registration Card 5

Assistance / Accessories ... 7

Using The Oven

Oven Controls..... 8

Special Features 9

Oven Racks 10

Cooking Modes 11

Cookware..... 11

Cooking Guide 12

Care and Cleaning

Control Panel 13

Oven Exterior 13

Stainless Steel Surfaces 13

Oven Interior..... 13

Flat Racks..... 13

Maintenance..... 14

Troubleshooting Tips 16

Owner's Manual

JCK3000 - 27" Single Wall Oven
JCT3000 - 30" Single Wall Oven

For a Spanish version of this manual, visit our Website at GEAppliances.com.

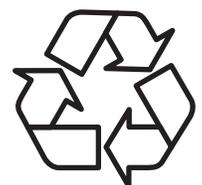
Para consultar una version en español de este manual de instrucciones, visite nuestro sitio de internet GEAppliances.com.

Write the model and serial numbers here:

Model # _____

Serial # _____

You can find them on a label on the side trim or on the front of the (lower) oven behind the oven door.



Printed on Recycled Paper

IMPORTANT SAFETY INFORMATION. READ ALL INSTRUCTIONS BEFORE USING.

▲ WARNING

Read all safety instructions before using the product. Failure to follow these instructions may result in fire, electrical shock, serious injury or death.

▲ WARNING GENERAL SAFETY INSTRUCTIONS

- Use this appliance only for its intended purpose as described in this Owner's Manual.
- Be sure your appliance is properly installed and grounded by a qualified installer in accordance with the provided installation instructions.
- Do not attempt to repair or replace any part of your oven unless it is specifically recommended in this manual. All other servicing should be transferred to a qualified technician.
- Before performing any service, disconnect the power supply at the household distribution panel by removing the fuse or switching off the circuit breaker.
- Do not leave children alone—children should not be left alone or unattended in an area where an appliance is in use. They should never be allowed to climb, sit or stand on any part of the appliance.
- **▲ CAUTION**: Do not store items of interest to children in cabinets above an oven - children climbing on the oven to reach items could be seriously injured.
- Use only dry pot holders—moist or damp pot holders on hot surfaces may result in burns from steam. Do not let pot holders touch hot heating elements. Do not use a towel or other bulky cloth in place of pot holders.
- Never use your appliance for warming or heating the room.
- Do not touch the heating elements or the interior surface of the oven. These surfaces may be hot enough to burn even though they are dark in color. During and after use, do not touch, or let clothing or other flammable materials contact any interior area of the oven; allow sufficient time for cooling first. Other surfaces of the appliance may become hot enough to cause burns. Potentially hot surfaces include the oven vent opening, surfaces near the opening and crevices around the oven door.
- Do not heat unopened food containers. Pressure could build up and the container could burst, causing an injury.
- Do not use aluminum foil to line the oven bottom. Foil can trap heat or melt, resulting in damage to the product and a shock or fire hazard.
- Avoid scratching or impacting glass doors or control panels. Doing so may lead to glass breakage. Do not cook on a product with broken glass. Shock, fire or cuts may occur.
- Cook meat and poultry thoroughly—meat to at least an internal temperature of 160°F and poultry to at least an internal temperature of 180°F. Cooking to these temperatures usually protects against foodborne illness.

SAVE THESE INSTRUCTIONS

⚠ WARNING**KEEP FLAMMABLE MATERIALS AWAY FROM THE OVEN**

Failure to do so may result in fire or personal injury.

- Do not store or use flammable materials in or near an oven, including paper, plastic, pot holders, linens, wall coverings, curtains, drapes and gasoline or other flammable vapors and liquids.
- Never wear loose-fitting or hanging garments while using the appliance. These garments may ignite if they contact hot surfaces, causing severe burns.
- Do not let cooking grease or other flammable materials accumulate in or near the oven. Grease in the oven or near the oven may ignite.

⚠ WARNING**IN THE EVENT OF A FIRE, TAKE THE FOLLOWING STEPS TO PREVENT INJURY AND FIRE SPREADING**

- Do not use water on grease fires. Never pick up a flaming pan.
- If there is a fire in the oven during baking, smother the fire by closing the oven door and turning the oven off or by using a multi-purpose dry chemical or foam-type fire extinguisher.
- If there is a fire in the oven during self-clean, turn the oven off and wait for the fire to go out. Do not force the door open. Introduction of fresh air at self-clean temperatures may lead to a burst of flame from the oven. Failure to follow this instruction may result in severe burns.

⚠ WARNING**OVEN SAFETY INSTRUCTIONS**

- Stand away from the oven when opening the oven door. Hot air or steam which escapes can cause burns to hands, face and/or eyes.
- Keep the oven vent unobstructed.
- Keep the oven free from grease buildup. Grease in the oven may ignite.
- Place oven racks in desired location while oven is cool. If rack must be moved while oven is hot, do not let pot holder contact hot heating element in oven.
- When using cooking or roasting bags in the oven, follow the manufacturer's directions.
- Pulling out the standard racks to their stop-locks or the extension rack to its fully open position is a convenience in lifting heavy foods. It is also a precaution against burns from touching hot surfaces of the door or oven walls.
- Do not leave items such as paper, cooking utensils or food in the oven when not in use. Items stored in an oven can ignite.
- Do not use aluminum foil to line the oven bottom. Foil can trap heat or melt, resulting in damage to the product and a shock or fire hazard.

⚠ WARNING**SELF-CLEANING OVEN SAFETY INSTRUCTIONS**

The self-cleaning feature operates the oven at temperatures high enough to burn away food soils in the oven. Follow these instructions for safe operation.

- Do not touch oven surfaces during self-clean operation. Keep children away from the oven during self-cleaning. Failure to follow these instructions may cause burns.
- Before self-cleaning the oven, remove shiny silver colored oven racks (on some models), the probe, any aluminum foil, and any broiler pan, grid, and other cookware. Only porcelain coated oven racks may be left in the oven.
- Before operating the self-clean cycle, wipe grease and food soils from the oven. Excessive amount of grease may ignite, leading to smoke damage to your home.
- If the self-cleaning mode malfunctions, turn the oven off and disconnect the power supply. Have it serviced by a qualified technician.
- Do not clean the door gasket. The door gasket is essential for a good seal. Care should be taken not to rub, damage or move the gasket.
- Do not use oven cleaners. No commercial oven cleaner or oven liner protective coating of any kind should be used in or around any part of the oven.

SAVE THESE INSTRUCTIONS

Thank You! ... for your purchase of a GE Brand appliance.

Register Your Appliance: Register your new appliance on-line at your convenience!

www.geappliances.com/service_and_support/register/

Timely product registration will allow for enhanced communication and prompt service under the terms of your warranty, should the need arise. You may also mail in the pre-printed registration card included in the packing material.

Built-In Electric Range Warranty

GEAppliances.com

All warranty service is provided by our Factory Service Centers, or an authorized Customer Care® technician. To schedule service on-line, visit us at www.GEAppliances.ca or call 1.800.561.3344. Please have serial number and model number available when calling for service.

Servicing your appliance may require the use of the onboard data port for diagnostics. This gives a service technician the ability to quickly diagnose any issues with your appliance and helps Mabe improve its products by providing Mabe with information on your appliance. If you do not want your appliance data to be sent to Mabe, please advise your technician not to submit the data to Mabe at the time of service.

For the period of one year from the date of the original purchase, any part of the range which fails due to a defect in materials or workmanship. During this limited one-year warranty, Mabe will also provide, free of charge, all labor and in-home service to replace the defective part.

What Mabe will not cover:

- Service trips to your home to teach you how to use the product.
- Improper installation, delivery or maintenance.
- Failure of the product if it is abused, misused, modified or used for other than the intended purpose or used commercially.
- Replacement of house fuses or resetting of circuit breakers.
- Damage to the product caused by accident, fire, floods or acts of God.
- Incidental or consequential damage caused by possible defects with this appliance.
- Damage caused after delivery.
- Product not accessible to provide required service.

EXCLUSION OF IMPLIED WARRANTIES

Your sole and exclusive remedy is product repair as provided in this Limited Warranty. Any implied warranties, including the implied warranties of merchantability or fitness for a particular purpose, are limited to one year or the shortest period allowed by law.

This warranty is extended to the original purchaser and any succeeding owner for products purchased in Canada for home use within the Canada. In-home warranty service will be provided in areas where it is available and deemed reasonable by Mabe to provide.

Some provinces do not allow the exclusion or limitation of incidental or consequential damages. This warranty gives you specific legal rights, and you may also have other rights which vary from province to province. To know what your legal rights are in your province consult your local or provincial consumer affairs office.

Warrantor: Mabe Canada Inc., Burlington, Ontario

Staple your receipt here. Proof of the original purchase date is needed to obtain service under the warranty.

Please place in envelope and mail to:
Veuillez mettre dans une enveloppe et envoyez à :

OWNERSHIP REGISTRATION
P.O. BOX 1780
MISSISSAUGA, ONTARIO
L4Y 4G1

(FOR CANADIAN CONSUMERS ONLY)



For Canadian
Customers



Pour les
Consommateurs
Canadiens

CUT ALONG THIS LINE AND RETURN CARD—THANKS

OWNERSHIP REGISTRATION CERTIFICATE – FICHE D'INSCRIPTION DU PROPRIÉTAIRE

Please register your product to enable us to contact you in the remote event a safety notice is issued for this product and to allow for efficient communication under the terms of your warranty, should the need arise.

Veillez enregistrer votre produit afin de nous permettre de communiquer avec vous si jamais un avis de sécurité concernant ce produit était émis et de communiquer facilement avec vous en vertu de votre garantie, si le besoin s'en fait sentir.

REGISTER ON-LINE: www.geappliances.ca		MAIL TO: P.O. BOX 1780, MISSISSAUGA	
ENREGISTREMENT SUR INTERNET À: www.electromenagersge.ca		POSTER À: ONTARIO, L4Y 4G1	
<input type="checkbox"/> MR./M	<input type="checkbox"/> MRS./MME.	FIRST NAME / PRÉNOM	LAST NAME / NOM
<input type="checkbox"/> MISS/MLLE.	<input type="checkbox"/> MS.		
STREET NO / N° RUE	STREET NAME / RUE		APT. NO / APP. / RR#
CITY / VILLE		PROVINCE	POSTAL CODE / POSTAL
AREA CODE / IND. RÉG.	TELEPHONE	E-MAIL	
DID YOU PURCHASE A SERVICE CONTRACT FOR THIS APPLIANCE? AVEZ-VOUS ACHETÉ UN CONTRAT DE SERVICE POUR CET APPAREIL ?		YES / OUI <input type="checkbox"/>	IF YES / SI OUI: EXPIRATION
		NO / NON <input type="checkbox"/>	Y/A M D/J
NAME OF SELLING DEALER / NOM DU MARCHAND		MODEL / MODÈLE	
INSTALLATION DATE / DATE D'INSTALLATION	CORRESPONDENCE	<input type="checkbox"/> ENGLISH	
Y/A M D/J	CORRESPONDANCE	<input type="checkbox"/> FRANÇAIS	SERIAL / SÉRIE
<input type="checkbox"/> I do not wish to receive any promotional offers regarding this product. <input type="checkbox"/> Je ne désire pas recevoir d'offres promotionnelles concernant ce produit.			

Have a question or need assistance with your appliance?

Try the GE Appliances Website (www.geappliances.com/service_and_support/) 24 hours a day, any day of the year! For greater convenience and faster service, you can now download Owner's Manuals, order parts or even schedule service on-line.

Schedule Service: Expert GE repair service is only one step away from your door. Get on-line and schedule your service at www.GEAppliances.ca or call 1.800.561.3344 during normal business hours.

Parts and Accessories: Individuals qualified to service their own appliances can have parts or accessories sent directly to their homes (VISA, MasterCard and Discover cards are accepted). Order on-line today, 24 hours every day or by phone at 1.800.661.1616 during normal business hours.

Instructions contained in this manual cover procedures to be performed by any user. Other servicing generally should be referred to qualified service personnel. Caution must be exercised, since improper servicing may cause unsafe operation.

Contact Us: If you are not satisfied with the service you receive from GE, contact us on our Website with all the details including your phone number, or write to:

Mabe Canada Inc.
1 Factory Lane
Moncton, New Brunswick, E1C 9M3

Accessories

Looking For Something More?

GE offers a variety of accessories to improve your cooking and maintenance experiences!

To place an order visit us online at:

www.GEAppliances.ca
800.661.1616

The following products and more are available:

Accessories

Small Broiler Pan (8 ¾" x 1 ¼" x 13 ½")	222D2097G001 (Canada)
Large* Broiler Pan (12 ¾" x 1 ¼" x 16 ½")	222D2097G002 (Canada)

Parts

Oven racks	Part numbers vary by model
Oven elements	Part numbers vary by model
Light bulbs	Part numbers vary by model
Probe	Part numbers vary by model

Cleaning Supplies

CitruShine Stainless Steel Wipes	WX10X10007
CeramaBryte Stainless Steel Appliance Cleaner	PM10X311
Graphite Lubricant	WB02T10303

*The large broiler pan does not fit in 20"/24" ranges.

**The XL broiler pan does not fit in 24" wall ovens, 27" drop ins or 20"/24" ranges

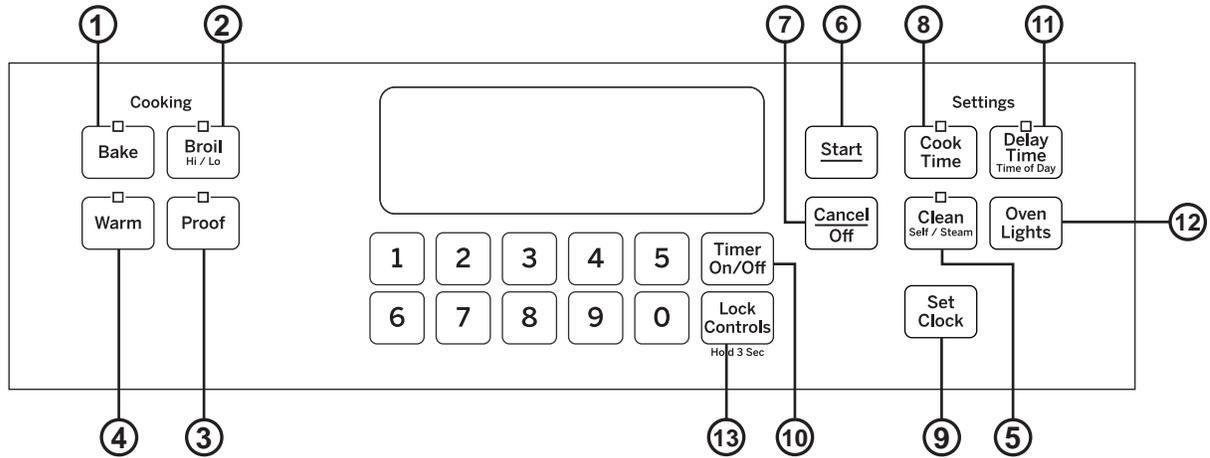
How to Remove Protective Shipping Film and Packaging Tape

Carefully grasp a corner of the protective shipping film with your fingers and slowly peel it from the appliance surface. Do not use any sharp items to remove the film. Remove all of the film before using the appliance for the first time.

To assure no damage is done to the finish of the product, the safest way to remove the adhesive from packaging tape on new appliances is an application of a household liquid dishwashing detergent. Apply with a soft cloth and allow to soak.

NOTE: The adhesive must be removed from all parts. It cannot be removed if it is baked on.

Single Wall Oven



1. **Bake:** Touch this pad to select the bake function. See the Cooking Modes section for more information.
2. **Broil:** Touch this pad to select the broil function. See the Cooking Modes section for more information.
3. **Proof:** Helps yeast bread rise. See the Cooking Modes section for more information.
4. **Warm:** Keeps hot food warm. See the Cooking Modes section for more information.
5. **Clean:** Your oven has two cleaning modes: Self Clean and Steam Clean. See the Cleaning the Oven section for important information about using these modes.
6. **Start:** Must be pressed to start any cooking, cleaning, or timed function.
7. **Cancel/Off:** Cancels ALL oven operations except the clock and timer.
8. **Cook Time:** Counts down cooking time and turns off the oven when the cooking time is complete. Press the **Cook Time** pad, use the number pads to program a cooking time in hours and minutes, then press **Start**.
9. **Clock:** Sets the oven clock time. Press the **Set Clock** pad and the number pads to program the clock. Press **Start** to save the time.
10. **Timer:** Works as a countdown timer. Press the **Timer** pad and the number pads to program the time in hours and minutes. Press the **Start** pad. The oven will continue to operate when the timer countdown is complete. To turn the timer off press the **Timer** pad
11. **Delay Time:** Delays when the oven will turn on. Use this to set a time when you want the oven to start. Press the **Delay Time** pad and use the number pads to program the time of day for the oven to turn on then press **Start**. Press the desired cooking mode and temperature then press **Start**. A cook time may also be programmed if desired. Follow the directions under Cook Time for setting this feature. This can only be used with Bake and Self-Clean.
NOTE: When using the delay time feature, foods that spoil easily—such as milk, eggs, fish, stuffings, poultry and pork—should not be allowed to sit for more than 1 hour before or after cooking. Room temperature promotes the growth of harmful bacteria. Be sure that the oven light is off because heat from the bulb will speed harmful bacteria growth.
12. **Oven Light(s):** Turns the oven light(s) on or off.
13. **Lock Controls:** Locks out the control so that pressing the pads does not activate the controls. Press and hold the **Lock Controls** pad for three seconds to lock or unlock the control. **Cancel/Off** is always active, even when the control is locked.

Special Features

There are several different special features on your wall oven. To change the settings of these special features, press the **BAKE** and **BROIL** pads at the same time and hold for three seconds. "SF" will appear in the display. Select the feature you want to change. When the change has been made, press the **START** key to save the change and return to the time of day.

Adjust the Oven Temperature

This feature allows the oven baking temperature to be adjusted up to 35°F hotter or down to 35°F cooler. Use this feature if you believe your oven temperature is too hot or too cold and wish to change it.

Press the **Bake** pad to select the oven to be adjusted. Press the **Bake** pad again to enter the temperature adjustment mode. A number between 35 and - 35 will display. Use the number pads to set the desired temperature adjustment and use the **Bake** pad to change between negative and positive.

Press the **Start** pad to save the temperature adjustment.

End of Timer Signals

This is the tone that signals the end of a timer. The tone can be continuous (Con bEEP) or one repeating beep (bEEP). A continuous setting will continue to sound a tone until a button on the control is pressed. Press the **Broil** pad to view the current setting and then to change the setting.

Fahrenheit or Celsius Temperature Display

The oven control is set to use Fahrenheit temperatures (F), but you can change it to use Celsius temperatures (C). Press the **Broil** and **Cook Time** pads at the same time to view the current setting, press again to change the setting.

Clock Display

This feature specifies how the time of day will be displayed or if no time of day will be displayed. You can select a standard 12-hour clock (12 H), 24-hour military time display (24 H), or no clock displayed (oFF). Press the **Clock** pad to view the current setting, press again to change the setting.

Sound Volume

This feature allows the oven tone volume to be adjusted between high (HI bEEP HI), medium (Std bEEP Std), low (Lo bEEP Lo) and off (oFF bEEP oFF). Press the **Cook Time** pad to view the current setting or to change the setting. The control will sound the oven tone at the new volume level each time the sound level is changed.

12-hour auto shut-off and Sabbath

Options for this feature are "12 SHdn", "no SHdn" and "SAbbAtH".

12-hour auto shut-off turns off the oven after 12 hours of continuous operations.

Sabbath mode disables the oven lights (the oven light will not turn on when the door is opened), all sounds (the control will not beep when a button is pressed), Broil, Warm, Proof, Cook Time, Timer, Clock, and Delay Time functions. Sabbath mode can only be used with Bake. This feature conforms to the Star-K Jewish Sabbath requirements.

Press and hold the **Bake** and **Broil** pads for 3 seconds to enter special features.

Press the **Delay Time** pad to view the current setting and then to change the setting.

To use Sabbath mode, select "SAbbAtH" and press **Start**. A] will appear in the display and the clock will not display.

Once in Sabbath mode, at any time you can press **Bake**, use the number pads to enter a temperature between 170F and 550F, and press **Start**. No sound will be given when the keys are pressed. At a random time between 30 seconds and 1 minute,][, will appear in the display indicating the oven is running.

If you need to adjust the temperature, press **Bake**, use the number pads to enter a new temperature between 170F and 550F, and press **Start**.

To turn the oven off, press **Cancel/Off** at any time. **The oven will immediately turn off** and][will change to] indicating that the oven has turned off.

To exit Sabbath mode, make sure that the oven is turned off. Press and hold the **Bake** and **Broil** pads for 3 seconds to enter special features then press **Delay Time** until either "12 Shdn" or "no Shdn" is in the display and press **Start**.

NOTE: If power outage occurs during Sabbath mode the unit will remain in Sabbath mode but off when power is restored.

If you wish to use the Cook Time feature to bake in the oven and then have the oven automatically turn off, you will need to press the Cook Time button, enter a cooking time duration, and press Start. Then enter special features to start Sabbath mode as detailed above.

Oven Racks

Your oven has six rack positions. Recommended rack positions for various types of foods are provided in the Cooking Guide. Adjusting rack position is one way to impact cooking results. For example, if you would prefer darker tops on cakes, muffins, or cookies, try moving food one rack position higher. If you find foods are too brown on top try moving them down next time.

When baking with multiple pans and on multiple racks, ensure there is at least 1 1/2" between pans to allow sufficient space for air to flow.

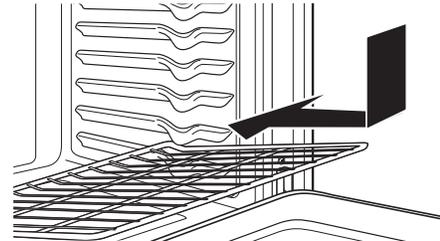
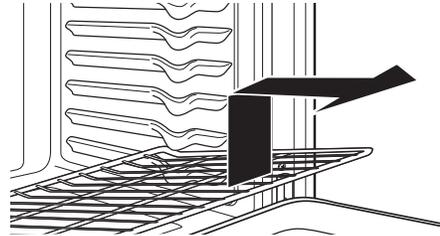
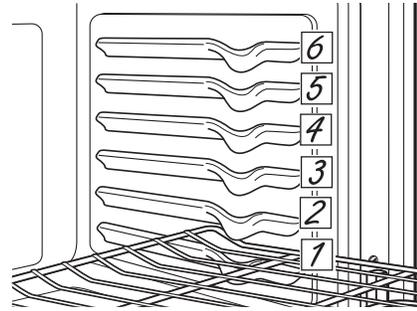
Flat Racks

When placing and removing cookware, pull the rack out to the bump (stop position) on the rack support.

To remove a rack, pull it toward you, tilt the front end up and pull it out.

To replace, place the curved end of the rack (stop-locks) onto the oven supports, tilt up the front of the rack and push the rack in.

Racks may become difficult to slide, especially after a self-clean. Put some vegetable oil on a soft cloth or paper towel and rub onto the left and right edges.



⚠ CAUTION: Never place cooking utensils, pizza or baking stones, aluminum foil or any other items on the oven floor. There is a heating element beneath the oven floor. Placing items on the oven floor may cause the oven to overheat, resulting in damage to the oven and risk of damage or fire to cabinets.

Aluminum Foil

Do not use aluminum foil to line oven bottoms. The foil will trap heat below and upset the performance of the oven. Foil can melt and permanently damage the oven bottom. Damage from improper use of aluminum foil is not covered by the product warranty.

Foil may be used to catch spills by placing a sheet on a lower rack, several inches below the food. Do not use more foil than necessary and never entirely cover an oven rack with aluminum foil. Keep foil at least 1-1/2" from oven walls to prevent poor heat circulation.

Cooking Modes

Your new oven has a variety of cooking modes to help you get the best results. These modes are described below. Refer to the Cooking Guide section for recommendations for specific foods. Remember, your new oven may perform differently than the oven it is replacing.

Bake

The bake mode is for baking and roasting. This mode uses heat primarily from the lower element but also from the upper element to cook food. When preparing baked goods such as cakes, cookies, and pastries always preheat the oven first. Follow recipe recommendations for food placement. If no guidelines are provided center food in the oven. To use this mode press the **Bake** pad, enter a temperature, and then press **Start**.

Proof

Proof mode is designed for rising (fermenting and proofing) bread doughs. Press the **Proof** pad and then press **Start**. Cover dough well to prevent drying out. Bread will rise more rapidly than at room temperature.

Warm

Warm mode is designed to keep hot foods hot for up to 3 hours. To use this mode, press the **Warm** pad then press **Start**. Cover foods that need to remain moist and do not cover foods that should be crisp. Preheating is not required. Do not use warm to heat cold food other than crisping crackers, chips or dry cereal. It is also recommended that food not be kept warm for more than 2 hours.

Broiling Modes

Always broil with the door closed. The broil element in this oven is very powerful. Monitor food closely while broiling. Use caution when broiling on upper rack

positions as placing food closer to the broil element increases smoking, spattering, and the possibility of fats igniting. For best performance center food below the broil heating element. **Broiling on rack position 6 is not recommended.**

Try broiling foods that you would normally grill. Adjust rack positions to adjust the intensity of the heat to the food. Place foods closer to the broil element when a seared surface and rare interior is desired. Thicker foods and foods that need to be cooked through should be broiled on a rack position farther from the broiler or by using Broil Lo.

Broil Hi

The Broil Hi mode uses intense heat from the upper element to sear foods. Use Broil Hi for thinner cuts of meat and/ or foods you prefer less done on the interior. To use this mode press the **Broil** pad once and then press **Start**. It is not necessary to preheat when using this mode.

Broil Lo

The Broil Lo mode uses less intense heat from the upper element to cook food thoroughly while also producing surface browning. Use Broil Lo for thicker cuts of meat and/or foods that you would like cooked all the way through. To use this mode press the **Broil** pad **twice** and then press **Start**. It is not necessary to preheat when using this mode.

Cookware

Cookware Guidelines

The material, finish, and size of cookware affect baking performance.

Dark, coated and dull pans absorb heat more readily than light, shiny pans. Pans that absorb heat more readily can result in a browner, crisper, and thicker crust. If using dark and coated cookware check food earlier than minimum cook time. If undesirable results are obtained with this type of cookware consider reducing oven temperature by 25° F next time.

Shiny pans can produce more evenly cooked baked goods such as cakes and cookies.

Glass and ceramic pans heat slowly but retain heat well. These types of pans work well for dishes such as pies and custards.

Air insulated pans heat slowly and can reduce bottom browning.

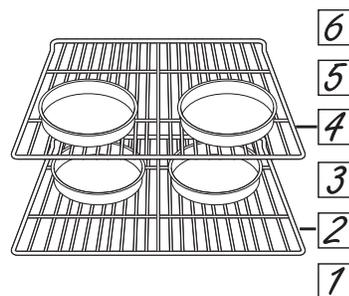
Keep cookware clean to promote even heating.

Cooking Guide

FOOD TYPE	RECOMMENDED MODE(S)	RECOMMENDED RACK POSITION(S)	ADDITIONAL SUGGESTIONS
Baked Goods			
Layer cakes, sheet cakes, bundt cakes, muffins, quick breads on a Single Rack	Bake	3	Use shiny cookware.
Layer cakes* on Multiple Racks	Bake	2 and 4	Ensure adequate airflow (see illustration below).
Chiffon cakes (angel food)	Bake	1	Use shiny cookware.
Cookies, biscuits, scones on a Single Rack	Bake	3	Use shiny cookware.
Cookies, biscuits, scones on Multiple Racks	Bake	2 and 4	For foods like sugar cookies, switch food location partially through cooking for more even cooking results between racks. Ensure adequate airflow.
Beef & Pork			
Hamburgers	Broil Hi	5	Use a broil pan; move food down for more doneness/less searing. Watch food closely when broiling. For best performance center food below the broil heating element.
Steaks & Chops	Broil Hi	5	Use a broil pan; move food down for more doneness/less searing. Watch food closely when broiling. For best performance center food below the broil heating element.
Roasts	Bake	2 or 3	Leave uncovered, use a low sided pan such as a broil pan. Preheating is not necessary.
Poultry			
Whole chicken	Bake	2 or 3	Use a low sided pan such as a broil pan.
Bone-in chicken breasts, legs, thighs	Broil Hi	1	If breaded or coated in sauce avoid Broil Hi modes. Broil skin side down first. Watch food closely when broiling. For best performance when broiling, center food below the broil heating element.
	Broil Lo Bake	3	
Boneless chicken breasts	Broil Lo Bake	1 (broil) or 3	Move food down for more doneness/less searing and up for greater searing/browning when broiling. For best performance when broiling, center food below the broil heating element.
Whole turkey	Bake	1 or 2	Use a low sided pan such as a broil pan.
Turkey Breast	Bake	2 or 3	Use a low sided pan such as a broil pan.
Fish	Broil Lo	5 (1/2 thick or less) 4 (>1/2 inch)	Watch food closely when broiling. For best performance center food below the broil heating element.
Casseroles	Bake	3	
Frozen Convenience Foods			
Pizza, french fries, tator tots, chicken nuggets, appetizers on a Single Rack	Bake	3	Use shiny cookware.
Pizza, french fries, tator tots, chicken nuggets, appetizers on Multiple Racks	Bake	2 and 4	Use shiny cookware. Switch food location partially through cooking for more even cooking results.

*When baking four cake layers at a time, use racks 2 and 4. Place the pans as shown so that one pan is not directly above another.

Cook food thoroughly to help protect against food borne illness. Minimum safe food temperature recommendations for food safety can be found at www.IsItDoneYet.gov. Make sure to use a food thermometer to take food temperatures.



Cleaning The Oven

Be sure electrical power is off and all surfaces are cool before cleaning any part of the oven.

Control Panel

It's a good idea to wipe the control panel after each use. Clean with mild soap and water or vinegar and water, rinse with clean water and polish dry with a soft cloth.

Do not use abrasive cleansers, strong liquid cleansers, plastic scouring pads or oven cleaners on the control panel—they will damage the finish.

Oven Exterior

Do not use oven cleaners, abrasive cleansers, strong liquid cleansers, steel wool, plastic scouring pads, or cleaning powders on the interior or exterior of the oven. Clean with a mild soap and water or vinegar and water solution. Rinse with clean water and dry with a soft cloth. When cleaning surfaces, make sure that they are at room temperature and not in direct sunlight.

If stain on the door vent trim is persistent, use a mild abrasive cleaner and a sponge-scrubber for best results.

Spillage of marinades, fruit juices, tomato sauces and basting liquids containing acids may cause discoloration and should be wiped up immediately. Let hot surfaces cool, then clean and rinse.

Stainless Steel Surfaces (on some models)

Do not use a steel wool pad; it will scratch the surface.

To clean the stainless steel surface, use warm sudsy water or a stainless steel cleaner or polish. Always wipe the surface in the direction of the grain. Follow the cleaner instructions for cleaning the stainless steel surface.

To inquire about purchasing cleaning products including stainless steel appliance cleaner or polish read the Assistance and Accessories sections at the beginning of this manual.

Oven Interior

The interior of your new oven can be cleaned manually or by using the Steam Clean or Self Clean modes.

Spillage of marinades, fruit juices, tomato sauces and basting liquids containing acids may cause discoloration and should be wiped up immediately. Let hot surfaces cool, then clean and rinse.

Manual Cleaning

Do not use oven cleaners, abrasive cleaners, strong liquid cleansers, steel wool, scouring pads, or cleaning powders on the interior of the oven. Clean with a mild soap and water or vinegar and water solution. Rinse with clean water and dry with a soft cloth. When cleaning surfaces, make sure that they are at room temperature.

Steam Clean Mode

Steam clean is intended to clean small spills using water and a lower cleaning temperature than Self-Clean.

To use the Steam Clean feature, wipe grease and soils from the oven. Pour one cup of water into the bottom of the oven. Close the door. Press the **Clean** pad **twice** and then press **Start**. The oven door will lock. You can not open the door during the 30 minute steam clean as this will decrease the steam clean performance. At the

end of the steam clean cycle the door will unlock. Wipe out any excess water and any remaining soil.

Self Clean Mode

Read Self-Cleaning Oven Safety Instructions at the beginning of this manual before using Self Clean Mode. Self clean uses very high temperatures to clean the oven interior. The oven door will lock when using this feature. Before operating the self-clean cycle, wipe up grease and soils from the oven. Remove all items from the oven other than enameled (dark color) racks. Shiny or silver racks and any cookware or other items should all be removed from the oven before initiating a self-clean cycle. Close the door. Press the **Clean** pad once and a default self-clean time is displayed. The clean time can be changed to any time between 3:00 and 5:00 hours by using the number pads to enter a different time and pressing **Start**. For heavily soiled ovens, the maximum 5 hour clean time is recommended. If you wish to use the default time, press the **Start** pad immediately after pressing the **Clean** pad. The oven will turn off automatically when the self-clean cycle is complete. The door will stay locked until the oven has cooled down. After the oven has cooled down wipe any ash out of the oven.

Flat Racks

Flat racks can be left in the cavity during self-clean (if enameled racks, not shiny) or can be washed with warm, soapy water.

Racks may be more difficult to slide, especially after a self-clean. Put some vegetable oil on a soft cloth or paper towel and rub onto the left and right edges.

Maintenance

Oven Light Replacement (on some models)

⚠ WARNING

SHOCK OR BURN HAZARD: Before replacing oven light bulb, disconnect the electrical power to the oven at the main fuse or circuit breaker panel. Failure to do so may result in electric shock or burn.

⚠ CAUTION

BURN HAZARD: The glass cover and bulb should be removed when cool. Touching hot glass with bare hands or a damp cloth can cause burns.

1. Disconnect power at the main fuse or circuit breaker panel.
2. Remove oven racks.
3. Slide a flat blade screwdriver between the housing and the glass light cover.
4. Support the glass light cover with two fingers to prevent the cover from falling to the bottom of the oven.
5. Gently twist the screwdriver blade to loosen the glass light cover. Be careful not to chip the oven coating.
6. Remove the glass light cover.
7. Remove the bulb by firmly grasping and sliding the bulb straight out until the two prongs have cleared the ceramic holder.
8. Do not touch the glass of the new replacement bulb with your fingers. It will cause the bulb to fail when it lights. Grasp the replacement bulb with a clean towel or facial tissue with the prongs facing down. Align the two prongs in the ceramic holder, pressing gently until the bulb is securely in the ceramic socket.
9. Slide the protective lens into the holder and push until the clips snap into the housing.
10. Reconnect power.

Oven Light Bulb (on some models)

NOTE: The glass cover should be removed only when cold. Wearing latex gloves may offer a better grip.

Before replacing the bulb, disconnect electrical power to the oven at the main fuse or circuit breaker panel. Let the bulb cool completely before removing it. For your safety do not touch a hot bulb with a damp cloth. If you do the bulb may break.

To remove:

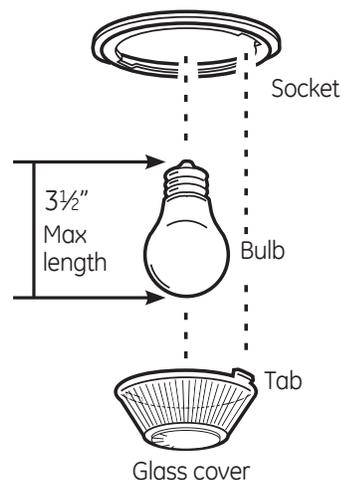
Turn the glass cover counterclockwise 1/4 turn until the tabs of the glass cover clear the grooves of the socket. Remove the bulb.

To replace:

Put in a new 40-watt appliance bulb. Place the tabs of the glass cover into the grooves of the socket. Turn the glass cover clockwise 1/4 turn.

NOTE:

- A 40-watt appliance bulb is smaller than a standard 40-watt household bulb.
- Reconnect electrical power to the oven once the new bulb is installed.
- For improved lighting inside the oven, clean the glass cover frequently using a wet cloth. This should be done when the oven is completely cool.



Maintenance

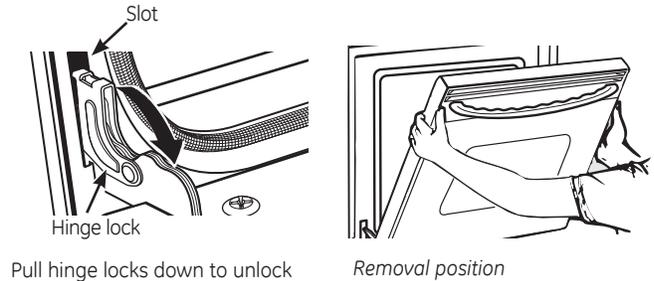
Lift-Off Oven Door

The door is very heavy. Be careful when removing and lifting the door.

Do not lift the door by the handle.

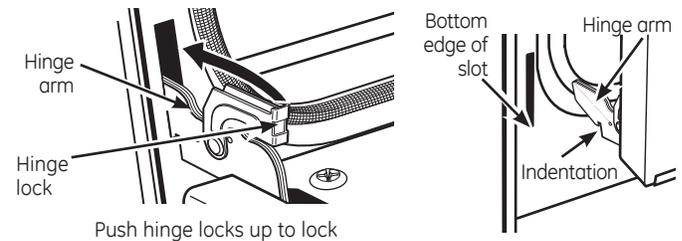
To remove the door:

1. Fully open the door.
2. Pull the hinge locks down toward the door frame, to the unlocked position. A tool, such as a small flat-blade screwdriver, may be required.
3. Firmly grasp both sides of the door at the top.
4. Close door to the door removal position. The door should be open approximately 3" with no obstruction above the door.
5. Lift door up and out until both hinge arms are clear of the slots.



To replace the door:

1. Firmly grasp both sides of the door at the top.
2. Starting on the left side, with the door at the same angle as the removal position, seat the indentation of the hinge arm into the bottom edge of the hinge slot. The notch in the hinge arm must be fully seated into the bottom of the slot. Repeat for right side.
3. Fully open the door. If the door will not fully open, the indentation is not seated correctly in the bottom edge of the slot.
4. Push the hinge locks up against the front frame of the oven cavity, to the locked position.
5. Close the oven door.



Troubleshooting tips ... Before you call for service

Save time and money! Review the charts on the following pages first and you may not need to call for service.

Problem	Possible Cause	What To Do
My new oven doesn't cook like my old one. Is something wrong with the temperature settings?	Your new oven has a different cooking system from your old oven and therefore may cook differently than your old oven.	For the first few uses, follow your recipe times and temperatures carefully. If you still think your new oven is too hot or too cold, you can adjust the temperature yourself to meet your specific cooking preference.
Food does not bake properly	Oven controls improperly set.	See the Cooking Modes section.
	Rack position is incorrect or rack is not level.	See the Cooking Modes section and Cooking Guide.
	Incorrect cookware or cookware of improper size being used.	See the Cookware section.
	Oven temperature needs adjustment.	See the Special Features section.
	Ingredient substitution	Substituting ingredients can change the recipe outcome.
Food does not broil properly	Oven controls improperly set.	Make sure you select the appropriate broil mode.
	Improper rack position being used.	See Cooking Guide for rack location suggestions.
	Food being cooked in a hot pan.	Make sure cookware is cool.
	Cookware not suited for broiling.	Use a pan specifically designed for broiling.
	Aluminum foil used on the broiling pan and grid has not been fitted properly and slit as recommended.	If using aluminum foil conform to pan slits.
	In some areas the power (voltage) may be low.	Preheat the broil element for 10 minutes.
Oven temperature too hot or too cold	Oven temperature needs adjustment.	See the Special Features section.
Oven does not work or appears not to work	A fuse in your home may be blown or the circuit breaker tripped.	Replace the fuse or reset the circuit breaker.
	Oven controls improperly set.	See the Using the Oven section.
	Oven is in Sabbath Mode.	Verify, that the oven is not in Sabbath Mode. See the Special Features section.
"Crackling" or "popping" sound	This is the sound of the metal heating and cooling during both the cooking and cleaning functions.	This is normal.
Why is my range making a "clicking" noise when using my oven?	Your range has been designed to maintain a tighter control over your oven's temperature. You may hear your oven's heating elements "click" on and off more frequently than in older ovens to achieve better results during baking, broiling, and self-clean cycles.	This is normal.
Clock and timer do not work	A fuse in your home may be blown or the circuit breaker tripped.	Replace the fuse or reset the circuit breaker.
Sometimes the oven takes longer to preheat to the same temperature	Cookware or food in oven	The cookware or food in the oven will cause the oven to take longer to preheat. Remove items to reduce preheat time.
	Number of racks in oven	Adding more racks to the oven will cause the oven to take longer to preheat. Remove some racks.

Troubleshooting tips ... Before you call for service

Problem	Possible Cause	What To Do
Oven light does not work	Light bulb is loose or defective.	Tighten or replace bulb.
	Pad operating light is broken.	Call for service.
Oven will not self-clean	The temperature is too high to set a self-clean operation.	Allow the oven to cool and reset the controls.
	Oven controls improperly set.	See the Cleaning the Oven section.
Excessive smoking during clean cycle	Excessive soil or grease..	Press the Cancel/Off pad. Open the windows to rid the room of smoke. Wait until the LOCKED light goes off. Wipe up the excess soil and reset the clean cycle.
Excessive smoking during broiling	Food too close to burner element.	Lower the rack position of the food.
Oven door will not open after a clean cycle	Oven too hot.	Allow the oven to cool below locking temperature.
Oven not clean after a clean cycle	Oven controls improperly set.	See the Cleaning the Oven section.
	Oven was heavily soiled.	Clean up heavy spillovers before starting the clean cycle. Heavily soiled ovens may need to self-clean again or for a longer period of time.
"LOCK DOOR" flashes in the display	The self-clean cycle has been selected but the door is not closed.	Close the oven door.
LOCKED light is on when you want to cook	The oven door is locked because the temperature inside the oven has not dropped below the locking temperature.	Press the Cancel/Off pad. Allow the oven to cool.
"F— and a number or letter" flash in the display	You have a function error code.	Press the Cancel/Off pad. Allow the oven to cool for one hour. Put the oven back into operation.
	If the function code repeats.	Disconnect all power to the oven for at least 30 seconds and then reconnect power. If the function error code repeats, call for service.
Display goes blank	A fuse in your home may be blown or the circuit breaker tripped.	Replace the fuse or reset the circuit breaker.
	The clock is turned off.	See the Special features section.
	Oven is in Sabbath Mode.	Verify that the oven is not in Sabbath Mode. See the Special Features section.
Power outage, clock flashes	Power outage or surge	Reset the clock. If the oven was in use, you must reset it by pressing the Cancel/Off pad, setting the clock and resetting any cooking function.
"Burning" or "oily" odor emitting from the vent	This is normal in a new oven and will disappear in time.	To speed the process, set a self-clean cycle for a minimum of 3 hours. See the Cleaning the Oven section. This is temporary.
Strong odor	An odor from the insulation around the inside of the oven is normal for the first few times the oven is used.	This is temporary and will go away after several uses or a self-clean cycle.
Fan noise	A cooling fan may automatically turn on.	This is normal. The cooling fan will turn on to cool internal parts. It may run for up to 1-1/2 hours after the oven is turned off.
My oven door glass appears to be "tinted" or have a "rainbow" color. Is this defective?	No. The inner oven glass is coated with a heat barrier to reflect the heat back into the oven to prevent heat loss and keep the outer door cool while baking.	This is normal. Under certain light or angles, you may see this tint or rainbow color.



Four électrique mural encastrable

Consignes de sécurité 2

Garantie 4

Assistance/Accessoires 5

Utilisation du four

Commandes du four 6

Fonctions spéciales 7

Grilles du four 8

Modes de cuisson 9

Plats de cuisson 9

Guide de cuisson 10

Entretien et nettoyage

Panneau de commandes 11

Extérieur du four 11

Surfaces en acier inoxydable 11

Intérieur du four 11

Grilles simples 11

Entretien 12

Conseils de dépannage 14

Manuel d'utilisation

JCK3000 - Four mural simple 27 po
JCT3000 - Four mural simple 30 po

Pour la version en espagnol de ce manuel, veuillez consulter notre site internet GEAppliances.com.

Para consultar una version en español de este manual de instrucciones, visite nuestro sitio de internet GEAppliances.com.

Écrivez ici les numéros de modèle et de série :

No de modèle : _____

No de série : _____

Ces numéros sont indiqués sur la bordure latérale ou sur le devant du four (inférieur), derrière la porte du four.



Imprimé sur du papier recyclé

IMPORTANTES CONSIGNES DE SÉCURITÉ

VEUILLEZ LIRE TOUTES LES INSTRUCTIONS AVANT UTILISATION DU FOUR.

⚠ AVERTISSEMENT

Veillez lire toutes les consignes avant d'utiliser ce produit. Le non-respect de ces instructions pourrait entraîner un incendie, un choc électrique, une blessure grave voire la mort.

⚠ AVERTISSEMENT CONSIGNES GÉNÉRALES DE SÉCURITÉ

- Utilisez cet appareil uniquement aux fins auxquelles il a été destiné et de la façon décrite dans le présent manuel d'utilisation.
- Assurez-vous que votre appareil est correctement installé et fixé au sol par un installateur qualifié, selon les instructions d'installation fournies.
- N'essayez pas de réparer ni de remplacer une pièce de votre four, à moins que cela ne soit spécifiquement recommandé dans ce manuel.
- Toute autre tâche d'entretien ou de réparation doit être confiée à un technicien qualifié.
- Avant de commencer toute tâche d'entretien ou de réparation, déconnectez l'appareil de son alimentation électrique au niveau du panneau de distribution de la maison en retirant le fusible ou en ouvrant le disjoncteur.
- Ne laissez pas d'enfants seuls ou sans surveillance à proximité du four lorsque celui-ci est allumé. Les enfants ne doivent pas pouvoir grimper, s'asseoir ou se tenir debout sur quelque partie de l'appareil que ce soit.
- **⚠ MISE EN GARDE** : N'entreposez pas d'objets pouvant intéresser les enfants dans les placards se trouvant au-dessus du four. Un enfant qui grimperait sur le four pourrait se blesser gravement.
- Utilisez uniquement des poignées sèches ; l'utilisation de poignées humides ou mouillées pourrait entraîner des brûlures par vapeur. Ne laissez pas les poignées entrer en contact avec les éléments chauffants.
- N'utilisez jamais votre appareil pour réchauffer ou chauffer une salle.
- Ne touchez ni les éléments chauffants, ni la surface intérieure du four. Ces surfaces pourraient être suffisamment chaudes pour vous brûler, même si elles sont de couleur sombre. Pendant et après utilisation du four, ne touchez aucune zone à l'intérieur du four et ne laissez aucun tissu ou autres matériaux inflammables entrer en contact avec l'intérieur du four ; laissez d'abord celui-ci refroidir suffisamment. D'autres surfaces de l'appareil pourraient devenir suffisamment chaudes pour provoquer des brûlures. Parmi les surfaces potentiellement chaudes, on retrouve la sortie de ventilation du four, les surfaces près cette sortie et les ouvertures autour de la porte du four.
- Ne faites pas chauffer de contenants de nourriture fermés. La pression pourrait faire exploser le contenant et ainsi causer des blessures.
- N'utilisez pas de papier d'aluminium pour recouvrir le fond du four. Le papier d'aluminium peut emprisonner la chaleur ou fondre, ce qui pourrait endommager votre appareil ou provoquer un danger de choc ou d'incendie.
- Évitez de rayer ou de donner des coups sur les portes vitrées ou les panneaux de commandes ; le verre pourrait se casser. N'utilisez pas de plat de cuisson comportant du verre brisé ; cela pourrait provoquer un choc, un incendie ou une coupure.
- Faites bien cuire la viande et la volaille à cœur ; la viande doit atteindre une température interne minimale de 71°C (160°F), la volaille, de 82°C (180°F). La cuisson à ces températures est normalement suffisante pour vous protéger des intoxications alimentaires.

CONSERVEZ CES INSTRUCTIONS

AVERTISSEMENT**GARDER LES MATÉRIAUX INFLAMMABLES A L'ECART DU FOUR**

Le non-respect de ces instructions pourrait entraîner un incendie ou une blessure.

- Ne rangez ni n'utilisez de matériaux inflammables à l'intérieur ou à proximité du four, y compris du papier, du plastique, des poignées, des nappes, des revêtements muraux, des rideaux, des stores ainsi que de l'essence ou d'autres vapeurs ou liquides inflammables.
- Ne portez jamais de vêtements amples lorsque vous utilisez cet appareil. Ces vêtements pourraient s'enflammer s'ils entrent en contact avec des surfaces chaudes, ce qui pourrait entraîner des brûlures graves.
- Ne laissez pas s'accumuler la graisse de cuisson ou autres matières inflammables dans le four ou à proximité de celui-ci. Cette graisse pourrait s'enflammer.

AVERTISSEMENT**EN CAS D'INCENDIE, PRENEZ LES MESURES SUIVANTES POUR PRÉVENIR LES BLESSURES ET LA PROPAGATION DU FEU**

- N'utilisez pas d'eau pour tenter d'éteindre un feu causé par de la graisse. N'empoignez jamais une poêle en feu.
- Si un feu se déclare dans le four pendant la cuisson, étouffez le feu en fermant la porte du four et en éteignant le four ou bien au moyen d'un extincteur à poudre ou à mousse.
- Si un feu se déclare dans le four pendant l'autonettoyage, éteignez le four et attendez que le feu s'éteigne. N'essayez pas d'ouvrir la porte. Le contact d'air frais avec les températures d'autonettoyage pourrait entraîner une explosion de flammes dans le four. Le non-respect de ces instructions peut entraîner des brûlures graves.

AVERTISSEMENT**CONSIGNES DE SÉCURITÉ RELATIVES AU FOUR**

- Écartez-vous du four lorsque vous en ouvrez la porte. L'air chaud et la vapeur qui s'en échappent peuvent causer des brûlures aux mains, au visage et aux yeux.
- N'obstruez pas l'ouverture de ventilation du four.
- Éliminez toute accumulation de graisse dans le four. Cette graisse pourrait s'enflammer.
- Placez les grilles à l'endroit désiré alors que le four est froid. Si la grille doit être enlevée alors que le four est chaud, ne laissez pas les poignées entrer en contact avec l'élément chauffant dans le four.
- Lorsque vous utilisez des sacs de cuisson avec votre four, suivez les directives du fabricant.
- L'action de tirer vers vous les grilles du four normales jusqu'à leur butée ou les grilles rétractables jusqu'à leur position d'ouverture complète peut s'avérer très pratique pour soulever des plats lourds. Il s'agit également d'une précaution pour prévenir les brûlures causées par les surfaces chaudes de la porte ou les parois internes du four.
- Ne laissez pas d'objets tels que du papier, des ustensiles de cuisson ou de la nourriture dans le four lorsque celui-ci n'est pas utilisé. Les objets se trouvant dans un four peuvent s'enflammer.
- N'utilisez pas de papier d'aluminium pour recouvrir le fond du four. Ce papier peut emprisonner la chaleur ou fondre, ce qui peut occasionner des dommages au produit, un choc ou un danger d'incendie.

AVERTISSEMENT**INSTRUCTIONS POUR L'AUTO-NETTOYAGE DU FOUR**

La fonction d'autonettoyage fait fonctionner le four à des températures suffisamment élevées pour brûler les résidus de nourriture dans le four. Suivez ces instructions pour une utilisation en toute sécurité.

- Ne touchez pas les surfaces du four durant le fonctionnement de l'autonettoyage. Éloignez les enfants du four durant l'autonettoyage. Le non-respect de ces instructions pourrait entraîner des blessures.
- Avant de mettre en marche l'autonettoyage du four, retirez les grilles de couleur argentée (de certains modèles), la sonde, tout papier d'aluminium, la lèchefrite, la grille et tout autre plat de cuisson. Seules les grilles revêtues de céramique peuvent être laissées dans le four.
- Avant de mettre en marche l'autonettoyage, enlevez la graisse et les résidus de nourriture du four. Une trop grande quantité de graisse pourrait s'enflammer, et la fumée pourrait causer des dommages à votre résidence.
- Si le mode d'autonettoyage fonctionne mal, éteignez le four et débranchez l'alimentation. Faites appel à un technicien qualifié pour l'entretien.
- Ne nettoyez pas le joint de la porte. Celui-ci est essentiel à l'étanchéité. Faites attention à ne pas froter, endommager ni déplacer le joint.
- N'utilisez pas de produits nettoyants à four. Aucun produit nettoyant à four professionnel ni de revêtement protecteur de four ne doivent être utilisés à l'intérieur du four ou sur tout autre partie de celui-ci.

CONSERVEZ CES INSTRUCTIONS

Merci ... d'avoir acheté un appareil GE !

Enregistrez votre appareil : Enregistrez votre nouvel appareil en ligne à tout moment.

www.geappliances.com/service_and_support/register/

Si vous enregistrez votre produit sans délai, la communication sera meilleure et le service plus rapide en vertu des conditions de votre garantie, si son utilisation s'avère nécessaire. Vous pouvez également envoyer par la poste la carte d'enregistrement pré-imprimée incluse dans les matériaux d'emballage.

Garantie de cuisinière électrique encastrable

GEAppliances.com

Tout entretien ou réparation en vertu de la garantie est fourni par nos Centres d'entretien et de réparation de l'usine ou par un technicien autorisé de Customer Care®. Pour fixer un rendez-vous en ligne, consultez notre site www.GEAppliances.ca ou téléphonez au 1.800.561.3344. Veuillez avoir vos numéros de série et de modèle à portée de main lors de l'appel.

L'entretien de votre appareil pourrait nécessiter l'utilisation d'un accès aux données embarquées pour le diagnostic. Cet accès donne au technicien la capacité de diagnostiquer rapidement tout problème avec votre appareil et d'aider Mabe à améliorer ses produits en fournissant à cette dernière des renseignements sur votre appareil. Si vous ne souhaitez pas que les données de votre appareil soient envoyées à Mabe, veuillez en aviser votre technicien au moment de l'entretien.

La garantie limitée sera valide pour la période d'un an suivant la date de l'achat original. En cas de défaillance de la cuisinière due à un défaut des matériaux ou de la main d'œuvre, Mabe fournira, sans frais, toute la main d'œuvre nécessaire à domicile pour remplacer la pièce défectueuse.

Ce que Mabe ne couvre pas :

- L'envoi d'un technicien chez vous pour vous montrer comment utiliser le produit.
- Une installation, une livraison ou un entretien inadéquats.
- Une panne du produit suite à une utilisation abusive ou inadéquate, une modification, un usage autre que celui auquel il a été destiné ou un usage commercial.
- Le remplacement des fusibles de votre résidence ou le réenclenchement des disjoncteurs.
- Les dommages au produit causés par un accident, un incendie, une inondation ou une catastrophe naturelle.
- Les dommages indirects ou accidentels causés par des défaillances possibles de cet appareil.
- Les dommages occasionnés après la livraison.
- Le service d'il est impossible d'avoir accès au produit.

EXCLUSION DES GARANTIES IMPLICITES

Votre seul et unique recours est la réparation du produit selon les dispositions de la présente garantie limitée. Toutes garanties implicites, y compris les garanties implicites de qualité marchande et d'adéquation à un usage spécifique, sont limitées à un an ou à la plus courte période permise par la loi.

Cette garantie s'étend à l'acheteur original et à tout propriétaire ultérieur pour les produits achetés au Canada destinés à un usage en résidence se trouvant au Canada. L'entretien à domicile prévu par la garantie sera proposé dans les lieux où il est disponible et où Mabe juge raisonnable de le fournir.

Certaines provinces ne permettent pas l'exclusion ni la limitation des dommages indirects. La présente garantie vous accorde des droits juridiques spécifiques, et vous disposez également de droits supplémentaires qui varient d'une province à l'autre. Pour connaître vos droits selon votre province, consultez votre bureau local d'information au consommateur.

Garant : Mabe Canada Inc., Burlington, Ontario

Agrafez ici votre reçu. Une preuve de l'achat original est requise pour l'accès à l'entretien et aux réparations en vertu de la garantie.

Vous avez une question ou vous avez besoin d'assistance avec votre appareil ?

Consultez le site internet des appareils GE (www.geappliances.com/service_and_support/) 24 heures sur 24, 7 jours sur 7. Pour une plus grande commodité et pour un service plus rapide, vous pouvez maintenant télécharger les manuels d'utilisation, commander certaines pièces et même fixer un rendez-vous pour l'entretien en ligne.

Rendez-vous pour l'entretien : Le service de réparation par un expert de GE ne se trouve qu'à un pas de votre porte. Connectez-vous à Internet et fixez votre rendez-vous sur www.GEAppliances.ca ou appelez le 1.800.561.3344 pendant les heures de bureau.

Pièces et accessoires : Les personnes qualifiées pour entretenir leur propre appareil peuvent recevoir des pièces ou des accessoires directement chez eux (les cartes Visa, MasterCard et Discover sont acceptées). Commandez en ligne dès aujourd'hui, 24 heures sur 24, ou appelez au 1.800.661.1616 pendant les heures de bureau.

Les instructions qui se trouvent dans le présent manuel couvrent les procédures devant être effectuées par n'importe quel utilisateur. L'entretien et les réparations qui ne se trouvent pas ici doivent généralement être confiés à du personnel qualifié. Il est nécessaire de faire preuve de prudence, un entretien inapproprié pourrait entraîner une utilisation non-sécuritaire de l'appareil.

Contactez-nous : Si vous n'êtes pas satisfait du service que vous recevez de GE, contactez-nous au moyen de notre site internet en nous fournissant tous les détails nécessaires, y compris votre numéro de téléphone, ou écrivez à :

Mabe Canada Inc.
1, Factory Lane
Moncton, Nouveau-Brunswick, E1C 9M3

Accessoires

A la recherche d'un accessoire?

GE propose une variété d'accessoires pour améliorer vos expériences de cuisine et d'entretien !

Pour passer commande, consultez notre site internet à l'adresse suivante :

www.GEAppliances.ca

800.661.1616

Les produits suivants sont notamment disponibles :

Accessoires

Petite lèchefrite (8 3/4 po x 1 1/4po x 13 1/2 po)	222D2097G001 (Canada)
Petite lèchefrite (8 3/4 po x 1 1/4po x 13 1/2 po)	222D2097G002 (Canada)

Pièces

Grilles de four	Les numéros de pièces varient selon le modèle.
Éléments du four	Les numéros de pièces varient selon le modèle.
Ampoules	Les numéros de pièces varient selon le modèle.
Sonde	Les numéros de pièces varient selon le modèle.

Matériel de nettoyage

Lingettes pour acier inoxydable CitruShine	WX10X10007
Produit nettoyant pour appareil en acier inoxydable CeramaBryte	PM10X311
Lubrifiant au graphite	WB02T10303

*La grande lèchefrite est trop grande pour les cuisinières de 20po/24po.

**Le lèchefrite XL est trop grande pour les fours muraux de 24po, les cuisinières de style « drop-in » de 27po et les cuisinières de 20po/24po.

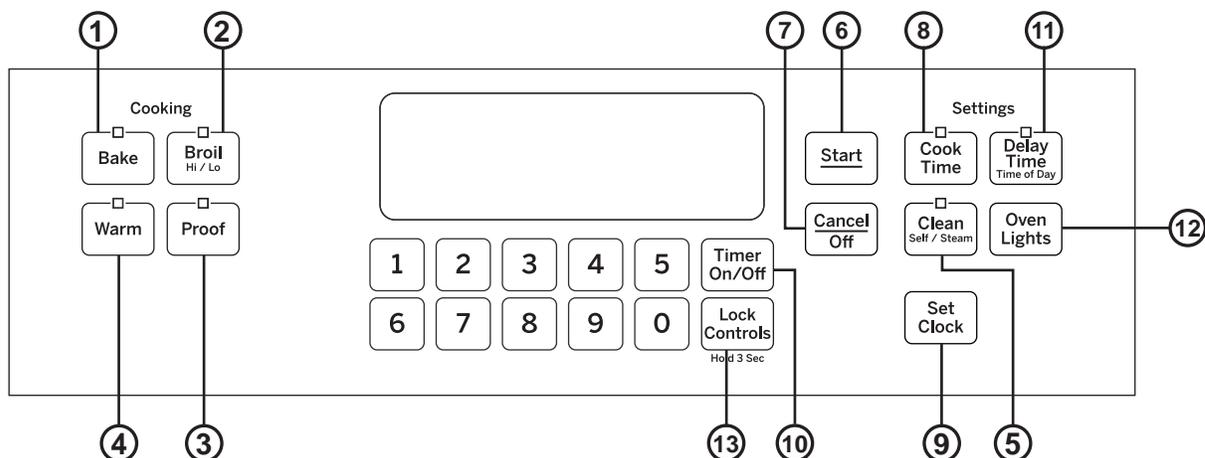
Comment retirer le film protecteur d'expédition et le ruban adhésif d'emballage

Saisissez délicatement un coin du film protecteur d'expédition avec vos doigts et le décollez lentement de la surface de l'appareil. N'utilisez pas d'objets pointus pour retirer le film. Retirez complètement le film avant d'utiliser l'appareil pour la première fois.

Pour assurer ne pas endommager la finition du produit, la façon la plus sûre pour enlever le ruban adhésif de l'emballage sur les nouveaux appareils consiste à appliquer un détergent à vaisselle liquide à l'aide d'un chiffon doux et à laisser tremper.

REMARQUE : Le ruban adhésif doit être retiré de toutes les pièces. Il ne pourra pas être retiré après cuisson.

Four mural simple



1. **Bake (Cuisson)** : Appuyez sur cette touche pour sélectionner la fonction bake (cuisson). Reportez-vous à la section Modes de Cuisson pour de plus amples informations.
2. **Broil (Gril)** : Appuyez sur cette touche pour sélectionner la fonction Broil (Gril). Reportez-vous à la section Modes de Cuisson pour de plus amples informations.
3. **Proof (Levée)** : Permet au pain de lever. Reportez-vous à la section Modes de Cuisson pour de plus amples informations.
4. **Warm (Maintien au Chaud)** : Maintient les aliments chauds. Reportez-vous à la section Modes de Cuisson pour de plus amples informations.
5. **Clean (Nettoyage)** : Votre four a deux modes de nettoyage : autonettoyage et nettoyage à la vapeur. Voir la section Nettoyage du four pour des informations importantes sur l'utilisation de ces modes.
6. **Start (Mise en marche)** : Vous devez appuyer sur ce bouton pour démarrer toute fonction de cuisson, de nettoyage ou de minuterie.
7. **Cancel/Off (Annuler/Off)** : Annule TOUTES les opérations en cours sauf l'horloge et la minuterie.
8. **Cook Time (Temps de cuisson)** : Fait le décompte du temps de cuisson restant et éteint le four lorsque le temps de cuisson est terminé. Appuyez sur le bouton **Cook Time (Temps de cuisson)**, utilisez le pavé numérique pour programmer un temps de cuisson en heures et en minutes, puis appuyez sur **Start (Mise en marche)**.
9. **Clock (Horloge)** : Permet de mettre l'horloge du four à l'heure. Appuyez sur la touche **Set Clock (Réglage de l'heure)** et sur les touches numériques pour programmer l'horloge. Appuyez sur **Start (Mise en marche)** pour enregistrer l'heure.
10. **Timer (Minuterie)** : Fonctionne comme un compte à rebours. Appuyez sur le bouton **Timer (Minuterie)**, puis sur

le pavé numérique pour programmer la durée en heures et en minutes. Appuyez sur le bouton **Start (Mise en marche)**. Le four continuera à fonctionner jusqu'à la fin du compte à rebours. Pour éteindre la minuterie, appuyez sur le bouton **Timer (Minuterie)**.

11. **Delay Time (Mise en marche différée)** : Indique le délai avant que le four ne se mette en marche. Utilisez cette fonction pour définir l'heure à laquelle vous souhaitez que le four se mette en marche. Appuyez sur la touche **Delay Time (Mise en marche différé)** et utilisez les touches numériques pour programmer l'heure à laquelle le four va s'allumer et appuyez sur **Start (Mise en marche)**. Appuyez sur la touche du mode de cuisson et de la température désirés puis appuyez sur **Start (Mise en marche)**. Un temps de cuisson peut aussi être programmé si vous le souhaitez. Suivez les instructions indiquées dans la section Temps de Cuisson pour régler cette fonction. Celle-ci ne peut être utilisée qu'avec les fonctions Bake (Cuisson) et Self Clean (Autonettoyage).

REMARQUE : Lorsque vous utilisez la fonction de mise en marche différée, les plats qui se gâtent rapidement tels que le lait, les œufs, le poisson, les farces, la volaille et le porc ne doivent pas être laissés à reposer pendant plus d'une heure avant ou après la cuisson. La température de la pièce favorise le développement de bactéries nocives. Assurez-vous d'éteindre la lumière, car la lumière de l'ampoule accélérera également le développement de bactéries nocives.

12. **Oven Lights(s) (Lumière(s) du four)** : Allume ou éteint les lumières.
13. **Lock Controls (Verrouillage des commandes)** : Verrouille les commandes de manière à ce que lorsqu'on appuie sur les boutons, ceux-ci n'activent pas les commandes. Appuyez sur le bouton **Lock Controls (Verrouillage des commandes)** pendant trois secondes pour verrouiller ou déverrouiller les commandes. **Cancel/Off (Annuler / Off)** est toujours actif, même lorsque les commandes sont verrouillées.

Fonctions spéciales

Votre four mural est équipé de plusieurs fonctions différentes. Pour modifier les réglages de ces fonctions particulières, appuyez simultanément sur les touches **BAKE (cuisson)** et **BROIL (grill)** pendant 3 secondes. Les lettres « **SF** » s'affiche à l'écran. Sélectionnez la fonction que vous souhaitez modifier. Après avoir effectué cette modification, appuyez sur la touche **START (Mise en marche)** pour l'enregistrer et revenir à l'affichage de l'heure.

Réglage de la température du four

Cette fonction permet de régler la température de cuisson du four jusqu'à 35° plus chaud ou plus froid. Utilisez cette fonction si vous pensez que la température de votre four est trop élevée ou trop basse et que vous souhaitez la modifier.

Appuyez sur la touche **Bake (Cuisson)** pour sélectionner le four dont la température est à ajuster. Appuyez une deuxième fois sur la touche **BAKE (Cuisson)** pour entrer dans le mode de réglage de la température. Un nombre entre +35 et -35 s'affiche à l'écran. Utilisez les touches numériques pour définir le réglage souhaité pour la température et utiliser la touche **Bake (Cuisson)** pour passer d'une température positive à négative.

Appuyez sur la touche **Start (Mise en marche)** pour enregistrer cette modification.

Signaux de fin de minuterie

Il s'agit de la tonalité qui signale la fin d'une minuterie. Cette tonalité peut être continue (Con bEEP) ou un bip répétitif (bEEP). Une tonalité continue sera émise jusqu'à ce que l'utilisateur appuie sur une touche. Appuyez sur la touche **Broil (Grill)** pour afficher le réglage en cours puis pour modifier ce dernier.

Affichage de la température en degrés Fahrenheit ou Celsius

La commande du four est configurée pour une utilisation avec des températures en Fahrenheit (F). Toutefois, celles-ci peuvent être affichées en degrés Celsius (C). Appuyez simultanément sur les touches numériques **Broil (Grill)** et **Cook Time (Temps de cuisson)** pour afficher le réglage en cours puis une deuxième fois pour modifier ce dernier.

Affichage de l'horloge

Cette fonction permet de choisir le type d'affichage de l'heure ou l'absence d'affichage de l'heure. Vous pouvez choisir le format 12 heures (12 H), 24 heures (24 H), ou aucun affichage de l'heure (OFF). Appuyez sur la touche **Clock (Horloge)** pour afficher le réglage en cours puis une deuxième fois pour modifier ce dernier.

Volume Sonore

Cette fonction permet de régler le volume de la sonnerie du four d'un volume sonore élevé (HI bEEP HI), moyen (Std bEEP Std), faible (Lo bEEP Lo) et désactivé (oFF bEEP oFF). Appuyez sur la touche **Cook Time (Temps de cuisson)** pour afficher le réglage en cours ou pour modifier ce dernier. Le four émettra le nouveau volume sonore à chaque fois que celui-ci est modifié.

Arrêt automatique 12 heures et Sabbath

Les options pour cette fonction sont les suivantes : « 12 SHdn », « no SHdn » et « Sabbath ».

L'arrêt automatique après 12 heures éteint le four après 12 heures de fonctionnement en continu.

Le mode Sabbath désactive les lumières du four (la lumière du four ne s'allumera pas à l'ouverture de la porte), tous les bips sonores (aucun bip sonore ne sera émis si une touche est enfoncée) ainsi que les fonctions Broil (Grill), Warm (Maintien au chaud), Proof (Levée), Cook Time (Temps de cuisson), Timer (Minuterie), Clock (Horloge) et Delay Time (Mise en marche différée). La fonction Sabbath (Sabbat) peut uniquement être utilisée avec les fonctions Bake (Cuisson). Grâce à cette fonction, le four est conforme aux exigences du Sabbath juif Star-K.

Appuyez simultanément sur la touche **Bake (Cuisson)** et la touche **Broil (Grill)** pendant 3 secondes pour accéder aux fonctions particulières.

Appuyez sur la touche **Delay Time (Mise en marche différée)** pour afficher le réglage en cours puis pour modifier ce dernier.

Pour utiliser le mode Sabbath, sélectionnez « SabbAtH » et appuyez sur **Start (Mise en marche)**. Une] apparaîtra à l'écran et l'heure ne sera plus affichée.

Une fois en mode Sabbath, à tout moment, vous pouvez appuyer sur **Bake (Cuisson)**, utiliser les touches numériques pour entrer une température entre 170°F et 550°F, et appuyer sur **Start (Mise en marche)**. Aucun bip sonore ne sera émis lorsque vous appuyez sur les touches. De façon aléatoire, entre 30 secondes et 1 minute, le signe,]], s'affichera pour indiquer que le four est en marche.

Si vous avez besoin de régler la température, appuyez sur **Bake (Cuisson)**, et à l'aide des touches numériques, entrez une température entre 170°F et 550°F puis appuyez sur **Start (Mise en marche)**.

Pour éteindre le four, appuyez sur **Cancel/Off (Annuler/Off)** à tout moment. **Le four s'éteindra immédiatement** et l'affichage]] passera à] pour indiquer que le four est éteint.

Pour quitter le mode Sabbath, assurez-vous que le four est éteint. Appuyez simultanément sur la touche **Bake (Cuisson)** et la touche **Broil (Grill)** pendant 3 secondes pour accéder aux fonctions particulières. Ensuite, appuyez sur la touche **Delay Time (Mise en marche différée)** pour afficher soit « 12 Shdn » ou « no Shdn », puis sur **Start (Mise en marche)**.

REMARQUE: En cas de panne d'électricité pendant le mode Sabbath, l'appareil restera en mode Sabbath mais sera éteint lorsque l'alimentation sera rétablie.

Si vous souhaitez utiliser la fonction Cook Time (Durée de cuisson) (si disponible) pour une cuisson au four puis éteindre le four automatiquement, il est nécessaire d'appuyer sur la touche **Cook Time (Durée de cuisson)**, entrer la durée de cuisson, puis appuyer sur **Start (Mise en marche)**. Ensuite, entrez les fonctions spéciales pour lancer le mode Sabbath comme indiqué précédemment.

Grilles du four

Votre four est équipé de six positions de grille. Les positions recommandées pour les différents types d'aliments sont fournies dans le Guide de cuisson. En réglant la position des grilles, vous modifierez les résultats de la cuisson. Par exemple, si vous préférez que le dessus de vos gâteaux, muffins ou biscuits soit plus doré, mettez le plat sur une position plus haute. Si vous trouvez que vos plats sont trop cuits sur le dessus, mettez le plat sur une position plus basse.

Lors d'une cuisson à plusieurs plats et sur plusieurs grilles, assurez-vous de laisser un espace 1 po ½ entre les plats pour permettre une bonne circulation de l'air.

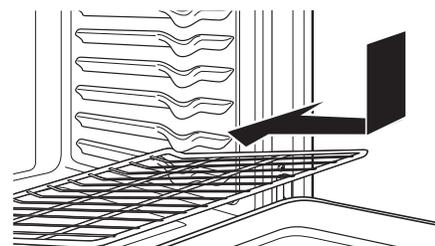
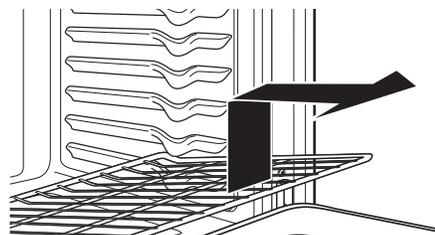
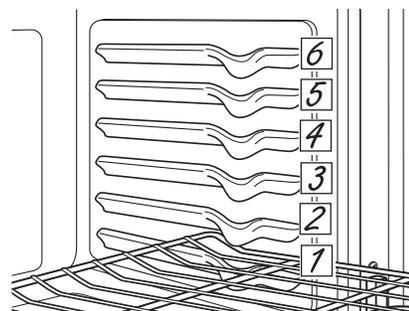
Grilles simples

Lorsque vous mettez et retirez des ustensiles du four, tirez la grille jusqu'à la butée (position d'arrêt) sur le support de la grille.

Pour retirer la grille, tirez-la vers vous, inclinez l'avant et sortez-la du four.

Pour la remettre en place, placez l'extrémité incurvée de la grille (verrouillage) sur les supports, soulevez l'avant de la grille et faites-la entrer dans le four.

Les grilles sont parfois difficiles à faire glisser, surtout après un autonettoyage. Mettez un peu d'huile végétale sur un chiffon doux ou un essuie-tout et huilez les bords gauche et droit.



⚠ MISE EN GARDE : Ne posez jamais d'ustensiles de cuisson, de papier d'aluminium, de pierre pour pizza ou de cuisson ou tout autre objet sur le bas du four. Un élément chauffant se trouve en-dessous de celui-ci. En cas de non-respect de cette consigne, le four pourrait surchauffer, entraînant des dommages et un risque de dommages ou d'incendie dans les placards alentours.

Papier d'aluminium

N'utilisez pas de papier d'aluminium pour recouvrir le fond du four. Le papier emprisonnera la chaleur et compromettra les performances du four. Il pourrait fondre et endommager le fond du four de façon permanente. Les dommages causés par un mauvais usage du papier d'aluminium ne sont pas couverts par la garantie du produit.

Le papier d'aluminium peut être utilisé pour recevoir les débordements en étant placé sur une grille plus basse, à une bonne distance de l'aliment. N'utilisez pas plus de papier que nécessaire, et ne recouvrez jamais une grille entière avec le papier. Gardez-le à au moins 1-1/2 po de distance des parois du four pour prévenir une mauvaise circulation de la chaleur.

Modes de cuisson

Votre nouveau four offre toute une variété de modes de cuisson pour vous aider à obtenir les meilleurs résultats possibles. Ces modes sont décrits ci-dessous. Reportez-vous à la section du guide de cuisson pour des recommandations selon les types d'aliments. Rappelez-vous que votre nouveau four pourrait donner des résultats différents de ceux du four qu'il remplace.

Cuisson

Le mode Bake (Cuisson) est utilisé pour cuire et rôtir. Ce mode utilise principalement la chaleur émise par l'élément inférieur, mais aussi par l'élément supérieur pour cuire les aliments. Lors de la préparation de gâteaux, de biscuits et de pâtisseries, il est nécessaire de toujours préchauffer le four. Suivez les recommandations des recettes pour positionner les plats dans le four. Si aucune recommandation n'est donnée, placez le plat au centre du four. Pour utiliser ce mode, appuyez sur la touche **Bake (Cuisson)**, entrez une température, puis appuyez sur **Start (Mise en marche)**.

Levée

Le mode Proof (Levée) est conçu pour faire lever (fermentation et levée) des pâtes à pain. Appuyez sur la touche **Proof (Levée)**, puis sur **Start (Mise en marche)**. Couvrez la pâte bien pour éviter son dessèchement. Le pain va lever plus rapidement qu'à température ambiante.

Maintien au chaud

Le mode Maintien au chaud est conçu pour conserver les plats chauds pendant un maximum de trois heures. Pour utiliser ce mode, appuyez sur **Warm (Maintien au chaud)**, puis sur **Start (Mise en marche)**. Couvrez les plats qui ne doivent pas se dessécher et ne couvrez pas ceux qui doivent être croustillants. Il n'est pas nécessaire de préchauffer. N'utilisez pas ce mode pour réchauffer un plat froid autre que des craquelins, des croustilles ou des céréales sèches. Il n'est pas recommandé de garder un plat chaud pendant plus de deux heures.

Modes Gril

Gardez toujours la porte du four fermée lorsque vous êtes en mode Gril. L'élément servant à griller est très puissant. Surveillez attentivement le plat que vous faites griller. Soyez prudent

lorsque vous utilisez les grilles du haut ; la proximité de l'élément augmente la fumée, les éclaboussements et la possibilité que le gras s'enflamme. Pour de meilleurs résultats, centrez l'aliment à cuire sous l'élément chauffant du grill. **Faire griller un plat sur la position 6 n'est pas recommandé.**

Faites griller des plats qui sont conçus pour être grillés. Ajustez la position de la grille pour ajuster l'intensité de la chaleur qui arrive au plat. Placez les plats plus près de l'élément lorsque vous souhaitez un aliment saisi et un intérieur peu cuit. Les aliments épais et les aliments qui doivent être cuits à cœur doivent être grillés sur une grille la plus éloignée du grill ou en utilisant le mode **Broil Lo (Grill à faible température)**.

Grill à haute température

Le mode Gril Traditionnel (Fort) utilise la chaleur intense de l'élément du haut pour faire saisir les plats. Utilisez le Gril (Fort) pour les morceaux de viande plus minces ou pour les plats que vous préférez moins cuits. Pour utiliser ce mode, appuyez une fois sur la touche **Broil (Grill)**, puis appuyez sur **Start (Mise en marche)**. Il n'est pas nécessaire de préchauffer lors de l'utilisation de ce mode.

Grill à faible température

Le mode Gril Traditionnel (Faible) utilise une chaleur moins intense de l'élément du haut pour cuire les plats en profondeur tout en produisant un brunissement de surface. Utilisez Gril (Faible) pour les coupes de viande plus épaisses ou pour les plats que vous voulez faire cuire en profondeur. Pour utiliser ce mode, appuyez **deux fois** sur la touche **Broil (Grill)**, puis appuyez sur **Start (Mise en marche)**. Il n'est pas nécessaire de préchauffer lorsque vous utilisez ce mode.

Plats de cuisson

Consignes pour les plats de cuisson

Le matériel, la finition et la dimension des plats de cuisson influencent le résultat de la cuisson.

Les plats sombres et mats avec revêtement absorbent mieux la chaleur que les plats légers et brillants. Les plats qui absorbent mieux la chaleur peuvent donner une croûte plus brune, plus croustillante et plus épaisse. Si vous utilisez des plats de cuisson sombres avec revêtement, attendez-vous à ce que l'aliment cuise plus rapidement que le temps minimal de cuisson. Si des résultats indésirables sont obtenus avec ce type de plat, envisagez de réduire la température du four de 25°F la prochaine fois.

Les plats brillants peuvent permettre une cuisson plus uniforme des pains et gâteaux.

Les plats de verre et de céramique chauffent lentement, mais retiennent bien la chaleur. Ces types de plats fonctionnent bien pour des mets tels que des tartes et des flans.

Les plats isolés avec de l'air se réchauffent lentement et peuvent réduire le brunissage du dessous.

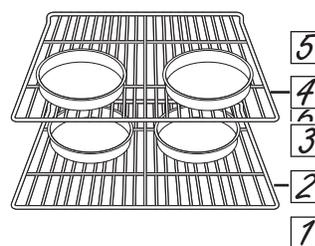
Conservez les plats de cuisson propres pour qu'ils se réchauffent uniformément.

Guide de cuisson

TYPE DE NOURRITURE	MODES RECOMMANDÉS	POSITIONS DE GRILLE RECOMMANDÉES	SUGGESTIONS ADDITIONNELLES
Boulangerie et pâtisserie			
Gâteaux étagés, gâteaux à feuilles, gâteaux Bundt, muffins, pains rapides sur une seule grille	Cuisson	3	Utilisez des plats de cuisson brillants
Gâteaux étagés* sur plusieurs grilles	Cuisson	2 et 4	S'assurer que la circulation d'air est adéquate (voir illustration ci-dessous).
Gâteau mousseline	Cuisson	1	Utilisez des plats de cuisson brillants
Biscuits, galettes, scones sur une seule grille	Cuisson	3	Utilisez des plats de cuisson brillants
Biscuits, galettes, scones sur plusieurs grilles	Cuisson	2 et 4	Pour les aliments comme les biscuits de sucre, permutez les plaques au milieu du temps de cuisson pour une cuisson plus uniforme. S'assurer que la circulation d'air est adéquate.
Bœuf et porc			
Hamburgers	Grill à haute température	5	Utiliser une lèchefrite ; faites cuire les aliments sur une position de grille inférieure pour une cuisson plus à cœur ou pour un grillage moins accentué. Surveillez bien les aliments lorsque vous utilisez le grill. Pour de meilleurs résultats, centrez l'aliment à cuire sous l'élément chauffant du grill.
Biftecks et côtelettes	Grill à haute température	5	Utiliser une lèchefrite ; faites cuire les aliments à une position de grille inférieure pour une cuisson plus à cœur ou pour un grillage moins accentué. Surveillez bien les aliments lorsque vous utilisez le grill. Pour de meilleurs résultats, centrez l'aliment à cuire sous l'élément chauffant du grill.
Rôtis	Cuisson	2 ou 3	Ne couvrez pas, utilisez un récipient à bords peu élevés tel qu'une lèchefrite. Le préchauffage n'est pas nécessaire.
Volaille			
Poulet entier	Cuisson	2 ou 3	Utilisez un plat peu profond tel qu'une lèchefrite.
Blancs, pattes et cuisses de poulet non désossés	Grill à haute température	1	Si les aliments sont panés ou en sauce, évitez le mode Broil Hi (Grill à haute température). Griller les aliments avec le côté peau vers le bas en premier. Surveillez bien les aliments lorsque vous utilisez le grill. Pour de meilleurs résultats lors du grillage, centrez l'aliment à cuire sous l'élément chauffant du grill.
	Grill à faible température Cuisson	3	
Blancs de poulet désossés	Grill à faible température Cuisson	1 (grill) ou 3	Faites cuire les aliments sur une position de grille inférieure pour une cuisson plus à cœur ou pour un grillage moins accentué ou sur une position supérieure pour un meilleur grillage. Pour de meilleurs résultats lors du grillage, centrez l'aliment à cuire sous l'élément chauffant du grill.
Dinde entière	Cuisson	1 ou 2	Utilisez un plat peu profond tel qu'une lèchefrite.
Poitrine de dinde	Cuisson	2 ou 3	Utilisez un plat peu profond tel qu'une lèchefrite.
Poisson	Grill à faible température	5 [1 cm (1/2 po) ou moins] 4 [> 1 cm (1/2 po)]	Surveillez bien les aliments lorsque vous utilisez le grill. Pour de meilleurs résultats, centrez l'aliment à cuire sous l'élément chauffant du grill.
Ragoûts	Cuisson	3	
Aliments prêts-à-servir surgelés			
Pizza, pommes de terre frites, Tater Tots, croquettes de poulet, hors d'œuvre sur une seule grille	Cuisson	3	Utilisez des plats de cuisson brillants
Pizza, pommes de terre frites, Tater Tots, croquettes de poulet, hors d'œuvre sur plusieurs grilles Multi-grilles	Cuisson	2 et 4	Utilisez des récipients métalliques. Permutez les plaques au milieu du temps de cuisson pour une cuisson plus uniforme.

*Lorsque vous faites cuire quatre étages à la fois, utilisez les grilles 2 et 4. Placez les plats comme illustré ici, de façon à ce qu'un plat ne soit pas directement au-dessus d'un autre.

Faites bien cuire vos aliments pour vous protéger contre les intoxications alimentaires. Les recommandations de températures minimales pour la sécurité de vos aliments sont données sur le site www.IsItOneYet.gov. Assurez-vous d'utiliser un thermomètre à aliments pour mesurer leur température.



Nettoyage du four

Assurez-vous que le courant soit coupé et que toutes les surfaces soient froides avant de nettoyer quelque partie du four que ce soit.

Panneau de commandes

Il est bon de nettoyer le panneau de commandes après chaque utilisation. Lavez-le avec un savon doux et de l'eau, ou bien avec du vinaigre et de l'eau, rincez avec de l'eau propre et séchez avec un linge doux.

N'utilisez pas de nettoyants abrasifs, de nettoyants liquides puissants, de tampon à récurer en plastique, ni même de produits nettoyants à four ; ils endommageraient la finition.

Extérieur du four

N'utilisez pas de produits nettoyants à four, de nettoyants abrasifs, de nettoyants liquides puissants, de laine d'acier, de tampons à récurer en plastique ni de poudres nettoyantes à l'intérieur ni sur l'extérieur de votre four. Nettoyez-le avec un savon doux et de l'eau ou avec une solution de vinaigre et d'eau. Rincez avec de l'eau propre et séchez avec un linge doux. Lorsque vous nettoyez les surfaces, assurez-vous qu'elles sont à la température de la pièce et qu'elles ne se trouvent pas directement exposées au soleil.

Si une tache persiste sur la bordure de l'ouverture de la ventilation de la porte, utilisez un produit nettoyant abrasif doux et une éponge ou un tampon à récurer pour de meilleurs résultats.

Des débordements de marinades, de jus de fruits, de sauces tomate et de bouillons contenant de l'acide pourraient entraîner une décoloration et doivent être nettoyés immédiatement. Laissez d'abord les surfaces chaudes refroidir, puis nettoyez et rincez.

Surfaces en acier inoxydable (sur certains modèles)

N'utilisez pas de tampon de laine d'acier ; cela pourrait rayer la surface.

nettoyer les surfaces d'acier inoxydable.

Pour nettoyer la surface d'acier inoxydable, utilisez de l'eau chaude et savonneuse ou un produit nettoyant ou produit à polir pour acier inoxydable. Nettoyez toujours la surface dans le sens du grain. Suivez les instructions du produit pour

Pour toutes questions concernant l'achat de produits nettoyants, y compris un produit nettoyant ou un produit à polir pour appareil électroménager en acier inoxydable, reportez-vous à la section Assistance et accessoires au début de ce manuel.

Intérieur du four

L'intérieur de votre nouveau four peut être nettoyé manuellement ou au moyen du nettoyage à la vapeur ou de l'autonettoyage.

cela diminuerait l'efficacité du nettoyage. A la fin du cycle de nettoyage à la vapeur, la porte se déverrouille automatiquement. Essuyer tout excès d'eau et toutes saletés restantes.

Des débordements de marinades, de jus de fruits, de sauces tomate et de bouillons contenant de l'acide pourraient entraîner une décoloration et devraient être nettoyés immédiatement. Laissez d'abord les surfaces chaudes refroidir, puis nettoyez et rincez.

Autonettoyage

Avant d'utiliser l'autonettoyage, lisez les instructions en matière de sécurité concernant l'autonettoyage du four. L'autonettoyage utilise de très hautes températures pour nettoyer l'intérieur du four. La porte du four se verrouillera lorsque vous mettrez en marche cette fonction. Avant de faire fonctionner le cycle d'autonettoyage, retirez la graisse et les saletés du four. Retirez tous les éléments du four autres que les grilles émaillées (de couleur foncée). Les grilles métalliques ou argentées, tout ustensile de cuisine ou autre article doivent être retirés du four avant de commencer un cycle d'autonettoyage. Fermez la porte. Appuyez une fois sur la touche **Clean (Nettoyage)** et une durée de cycle d'autonettoyage par défaut s'affiche. La durée du nettoyage peut être modifiée à tout moment entre 3 et 5 heures à l'aide des touches numériques pour entrer dans une autre durée, suivi d'une pression sur **Start (Mise en marche)**. Pour les fours très sales, il est recommandé d'utiliser la durée maximale de 5 heures. Si vous souhaitez utiliser la durée par défaut, appuyez immédiatement sur la touche **Start (Mise en marche)** après avoir appuyé sur la touche **Clean (Nettoyage)**. Le four s'éteint automatiquement à la fin du cycle d'autonettoyage. La porte du four restera verrouillée jusqu'à ce que le four soit froid. Après refroidissement du four, essuyez les surfaces du four pour éliminer toute trace de cendres.

Nettoyage manuel

N'utilisez pas de produits nettoyants à four, de nettoyants abrasifs, de nettoyants liquides puissants, de laine d'acier, de tampons à récurer ni de poudres nettoyantes à l'intérieur de votre four. Nettoyez-le avec un savon doux et de l'eau ou avec une solution de vinaigre et d'eau. Rincez avec de l'eau propre et séchez avec un linge doux. Lorsque vous nettoyez les surfaces, assurez-vous qu'elles sont à la température de la pièce et qu'elles ne se trouvent pas directement exposées au soleil.

Nettoyage à la vapeur

Le nettoyage à la vapeur est conçu pour nettoyer de petits débordements en utilisant de l'eau et une température de nettoyage plus basse que celle de l'autonettoyage.

Pour utiliser la fonction de nettoyage à la vapeur, commencez par retirer la graisse et la saleté du four. Versez une tasse d'eau au fond du four. Fermez la porte. Appuyez **deux fois** sur la touche **Clean (Nettoyage)**, puis sur **Start (Mise en marche)**. La porte du four se verrouillera. Vous ne pouvez pas ouvrir la porte du four pendant les trente minutes du cycle de nettoyage à la vapeur,

Grilles simples

Les grilles simples peuvent être laissés dans le four pendant l'autonettoyage (si celles-ci sont émaillées et non métalliques). Elles peuvent être lavées à l'eau tiède savonneuse.

Les grilles seront parfois difficiles à faire glisser, surtout après un autonettoyage. Mettez un peu d'huile végétale sur un chiffon doux ou un essuie-tout et huilez les bords gauche et droit.

Entretien

Remplacement de la lumière du four

⚠ AVERTISSEMENT

DANGER DE CHOC ELECTRIQUE OU DE BRÛLURE : Avant de remplacer l'ampoule de la lumière du four, coupez le courant qui alimente le four au fusible principal ou au tableau à disjoncteurs. Le non-respect de cette directive pourrait entraîner un choc électrique ou une brûlure.

⚠ MISE EN GARDE

DANGER DE BRÛLURE : La protection de verre et l'ampoule doivent être retirés après refroidissement. Toucher le verre chaud à mains nues ou avec un linge humide peut causer des brûlures.

1. Coupez le courant au fusible principal ou au tableau à disjoncteurs.
2. Retirez les grilles de four.
3. Glissez un tournevis à lame plate entre le boîtier et la protection en verre. Faites attention à ne pas endommager le revêtement du four.
4. Maintenez la protection en verre avec deux doigts pour l'empêcher de tomber au fond du four.
5. Doucement, faites tourner la lame du tournevis pour donner du jeu à la protection de verre.
6. Retirez la protection de verre.
7. Retirez l'ampoule en la tenant fermement et en la faisant glisser vers l'extérieur jusqu'à ce que les deux broches soient sorties du support de céramique.
8. Ne touchez pas le verre de la nouvelle ampoule avec vos doigts. Cela évite que l'ampoule ne se grille au premier allumage. Prenez la nouvelle ampoule avec une serviette propre ou un mouchoir, en orientant les broches vers le bas. Alignez les deux broches sur le support de céramique, appuyant doucement jusqu'à ce que l'ampoule soit bien placée dans son boîtier de céramique.
9. Faites glisser le cache protecteur dans le support et poussez jusqu'au dé clic.
10. Rebranchez le courant.

Ampoule du four (sur certains modèles)

REMARQUE : Il est nécessaire de retirer le cache en verre lorsque le four est froid. L'utilisation de gants en latex permet une meilleure prise.

Avant de remplacer l'ampoule du four, coupez l'alimentation électrique du four en enlevant le fusible principal ou en ouvrant le disjoncteur. Laissez l'ampoule refroidir complètement avant de la retirer. Par sécurité, ne touchez pas une ampoule chaude avec un chiffon mouillé. L'ampoule pourrait se briser.

Pour enlever l'ampoule :

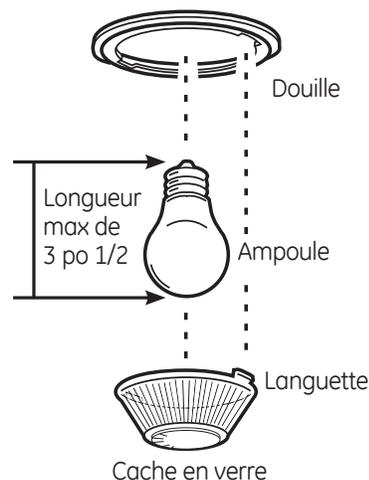
Faites tourner le cache en verre d'1/4 de tour dans le sens inverse des aiguilles d'une montre, jusqu'à ce que les languettes du cache en verre soient libérées des rainures de la douille. Retirez l'ampoule.

Pour la remettre en place :

Remplacez l'ampoule par une nouvelle ampoule de 40 Watts pour appareil ménager. Placez les languettes du cache en verre dans les rainures de la douille. Faites tourner le cache en verre d'1/4 de tour dans le sens des aiguilles d'une montre.

REMARQUE :

- Une ampoule de 40 watts pour appareils électroménagers est plus petite qu'une ampoule de 40 watts standard.
- Rebranchez l'alimentation électrique après avoir remplacé l'ampoule.
- Pour un éclairage plus performant, nettoyez fréquemment le cache en verre à l'aide d'un chiffon humide. Ceci doit être fait lorsque le four est froid.



Porte de four amovible

La porte est très lourde. Faites attention lorsque vous la retirez et la soulevez.

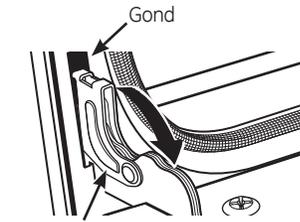
Ne soulevez pas la porte par sa poignée.

Pour retirer la porte :

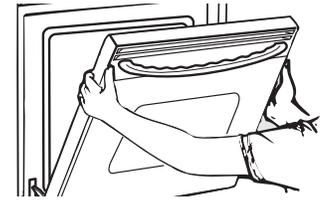
1. Ouvrez la porte complètement.
2. Tirez les verrous de charnière vers le bas du cadre de la porte, jusqu'à ce que ceux-ci soient en position déverrouillée. Un outil tel qu'un tournevis à lame plate pourrait être nécessaire.
3. Empoignez fermement les deux côtés de la porte, en haut.
4. Fermez la porte jusqu'à ce qu'elle soit en position pour être enlevée. La porte devrait être ouverte d'environ 3 po. et sans aucune obstruction.
5. Soulevez la porte vers le haut et vers l'extérieur jusqu'à ce que les deux charnières soient sorties de leurs gonds.

Pour replacer la porte :

1. Empoignez fermement les deux côtés de la porte, en haut.
2. En commençant du côté gauche, la porte placée dans le même angle que celui dans lequel elle a été enlevée, placez le cran de la charnière au fond des gonds. L'encoche du bras de la charnière doit être placée bien au fond de son gond. Répétez de l'autre côté.
3. Ouvrir complètement la porte. Si elle ne s'ouvre pas complètement, c'est que le cran n'est pas placé bien au fond de son gond.
4. Poussez les verrous de charnière vers le haut, contre le cadre extérieur de la cavité du four, jusqu'à temps qu'ils soient en position verrouillée.
5. Fermez la porte du four.



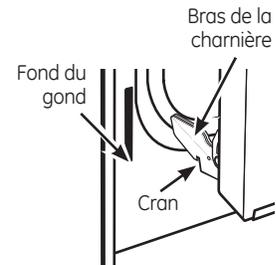
Tirer les verrous de charnière vers le bas pour déverrouiller



Position pour enlever



Pousser les verrous de charnière vers le haut pour verrouiller



Conseils de dépannage... Avant d'appeler un dépanneur

Économisez du temps et de l'argent! Consultez les tableaux des pages suivantes, et vous n'aurez peut-être pas à appeler le dépanneur.

Problème	Cause possible	Que faire?
Mon nouveau four ne cuit pas aussi bien que mon ancien four. Y aurait-il un problème avec les réglages de température ?	Votre nouveau four a un système de cuisson différent de votre ancien four; par conséquent, il pourrait avoir un fonctionnement différent de celui de votre ancien four.	Pour les quelques premières utilisations, respectez les temps de cuisson indiqués par vos recettes. Si vous croyez encore que votre nouveau four est trop chaud ou trop froid, vous pouvez ajuster la température vous-même pour atteindre votre préférence spécifique de cuisson.
Les aliments ne sont pas cuits correctement.	Les commandes du four ne sont pas bien réglées.	Reportez-vous à la section Modes de cuisson.
	Les positions de grille ne sont pas correctes, ou les grilles ne sont pas de niveau.	Reportez-vous à la section Modes de cuisson et Guide de cuisson.
	Les plats de cuisson utilisés ne conviennent pas ou ne sont pas de la bonne taille.	Reportez-vous à la section Plats de cuisson.
	La température du four a besoin d'ajustement.	Reportez-vous à la section Fonctions spéciales.
Substitution d'ingrédient		La substitution d'ingrédients peut influencer le résultat de la recette.
Les aliments ne grillent pas correctement.	Les commandes du four ne sont pas bien programmées.	Assurez-vous de sélectionner le mode Gril approprié.
	Les positions de grille utilisées ne sont pas les bonnes.	Reportez-vous au Guide de cuisson pour obtenir des suggestions concernant l'emplacement de la grille.
	Les aliments sont cuits dans un plat chaud.	Assurez-vous que les plats de cuisson sont froids.
	Les plats de cuisson ne sont pas appropriés pour faire griller.	Utilisez un plat conçu expressément pour faire griller des aliments, tel qu'une lèchefrite.
	Le papier d'aluminium utilisé dans la lèchefrite et sur la grille n'est pas de la bonne taille et n'est pas découpé tel qu'il a été recommandé de le faire.	Si vous utilisez du papier d'aluminium, conformez-vous au plat utilisé.
	Dans certaines régions, le voltage pourrait être moins élevé.	Préchauffez l'élément pendant 10 minutes.
La température du four est trop élevée ou trop basse..	La température du four doit être ajustée.	Reportez-vous à la section Fonctions spéciales.
Le four ne fonctionne pas ou semble ne pas fonctionner.	Un fusible de votre maison pourrait avoir sauté, ou le disjoncteur pourrait être ouvert.	Remplacez le fusible ou le disjoncteur.
	Les commandes du four ne sont pas bien réglées.	Reportez-vous à la section Utilisation du four.
	Le four est en mode Sabbath.	Vérifiez que le four n'est pas en mode Sabbath. Reportez-vous à la section Fonctions spéciales.
Sons de crépitement ou d'éclatement	Ces sons proviennent du métal qui chauffe et qui refroidit durant les fonctions tant de cuisson que de nettoyage.	C'est normal.
Pourquoi ma cuisinière émet-elle un « clic » lorsque j'utilise le four?	Votre cuisinière a été conçue pour garder un contrôle précis sur la température de votre four. Vous pourriez entendre les éléments chauffants de votre four émettre ce son plus souvent que votre ancien four. Ces sons signifient que les éléments s'éteignent ou s'allument, et s'ils sont émis plus souvent, cela signifiera de meilleurs résultats de la part des fonctions Cuisson, Gril, Convection et Autonettoyage.	C'est normal.
L'horloge et la minuterie ne fonctionnent pas	Un fusible dans votre maison pourrait avoir sauté ou un disjoncteur pourrait s'être ouvert.	Remplacez le fusible ou réenclenchez le disjoncteur.
Parfois, le four prend plus de temps pour se réchauffer à une même température.	Plat de cuisson ou nourriture dans le four	Le plat de cuisson ou l'aliment se trouvant dans le four influencera le temps nécessaire pour préchauffer le four. Retirez les objets à l'intérieur pour réduire le temps nécessaire pour préchauffer.
	Nombre de grilles dans le four	Ajouter d'autres grilles fera en sorte que le four tardera davantage à se préchauffer. Enlevez des grilles.

Conseils de dépannage... Avant d'appeler le dépanneur

Problème	Cause possible	Que faire?
La lumière du four ne fonctionne pas.	L'ampoule est desserrée ou défectueuse.	Resserrez ou remplacez l'ampoule.
	La lumière du clavier est grillée.	Appelez le service à la clientèle.
Le four ne s'autonettoie pas.	La température est trop élevée pour démarrer une opération d'autonettoyage.	Laissez refroidir le four et reprogrammez les commandes.
	Les commandes du four ne sont pas bien réglées..	Reportez-vous à a section Nettoyage du four.
Fumée excessive durant le cycle de nettoyage.	Saleté ou graisse excessive.	Appuyez sur le bouton Cancel/Off (Annuler/Off) . Ouvrez les fenêtres pour faire sortir la fumée. Attendez que le signal lumineux VERROUILLÉ s'éteigne. Nettoyez les résidus de saleté et reprenez le cycle de nettoyage.
Fumée excessive durant la fonction Gril.	Le plat est trop près de l'élément.	Placez la grille et le plat plus bas.
La porte du four ne s'ouvre pas après un cycle de nettoyage..	Le four est trop chaud.	Laissez le four refroidir jusqu'à la température nécessaire pour qu'il se déverrouille.
Le four n'est pas propre après un cycle de nettoyage..	Les commandes du four ne sont pas bien réglées.	Reportez-vous à la section Nettoyer le four.
	Le four était très sale.	Nettoyez les débordements volumineux avant de mettre en marche un cycle de nettoyage. Les fours très sales pourraient devoir subir un autre autonettoyage ou un autonettoyage plus long.
Le signal « porte verrouillée » clignote sur l'écran d'affichage.	Le cycle autonettoyage a été sélectionné mais la porte n'est pas fermée.	Fermez la porte du four.
Le signal lumineux VERROUILLÉ est allumé lorsque vous voulez cuisiner.	La porte du four est verrouillée parce que la température à l'intérieur du four n'est pas encore descendue sous la température de verrouillage.	Appuyez sur le bouton Annuler/Off. Laissez le four refroidir.
« F » ainsi qu'un nombre ou une autre lettre clignote à l'écran d'affichage.	Vous avez un code d'erreur de fonction.	Appuyez sur le bouton Cancel/Off (Annuler/Off) . Laissez le four refroidir pendant une heure. Remettez-le en marche.
	Si le code de fonction se répète.	Débranchez tout le courant qui alimente le four pendant au moins 30 secondes, puis rebranchez-le. Si le code d'erreur de fonction se répète, appelez le service à la clientèle.
L'écran n'affiche rien.	Un fusible dans votre maison pourrait avoir sauté ou un disjoncteur pourrait s'être ouvert..	Remplacez le fusible ou réenclenchez le disjoncteur.
	L'horloge est éteinte.	Reportez-vous à la section Fonctions spéciales.
	Le four est en mode Sabbat.	Vérifiez que le four n'est pas en mode Sabbat. Reportez-vous à la section Fonctions spéciales.
Panne de courant, l'horloge clignote.	Panne de courant ou surtension	Reprogrammez l'horloge. Si le four était en utilisation, vous devez le reprogrammer en appuyant sur le bouton Cancel/Off (Annuler/Off) , reprogrammer l'horloge puis reprogrammer la fonction de cuisson.
Une odeur de brûlé ou d'huile émane de l'ouverture de ventilation.	C'est normal pour un nouveau four; cette odeur disparaîtra avec le temps.	Pour accélérer le processus, programmez un cycle d'autonettoyage pour un minimum de 3 heures. Reportez-vous à la section Nettoyage du four.
Forte odeur	Une odeur venant de l'isolation posée autour de l'intérieur du four est normale pour les quelques premières utilisations du four.	Cette odeur est temporaire et s'en ira après plusieurs utilisations ou après un autonettoyage.
Bruit du ventilateur	Un ventilateur de refroidissement pourrait s'allumer automatiquement.	C'est normal. Le ventilateur de refroidissement s'allumera pour refroidir les pièces internes. Il pourrait fonctionner pendant près de 1 h 30 après que le four a été éteint.
La vitre de la porte de mon four semble être teintée ou présenter une couleur arc-en-ciel. Est-elle défectueuse?	Non. La vitre intérieure du four est recouverte d'une barrière conçue pour refléter la chaleur vers le four pour empêcher la perte de chaleur et pour garder la porte extérieure froide lorsque le four est en fonction.	C'est normal. Sous un certain éclairage ou certains angles, vous pourriez voir cette teinte ou cette couleur arc-en-ciel.