

Installation Instructions

Built-In Wall Oven

27" (68.6 cm) models
JCK1000, JCK3000, JCK5000
30" (76.2 cm) models
JCT3000, JCT5000, PCT7050

If you have questions, call 1.800.561.3344 or visit our website at:
www.geappliances.ca

Before You Begin

Read these instructions carefully and completely.

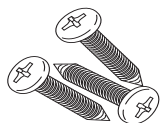
- **IMPORTANT**—Save these instructions for local inspector's use.
- **IMPORTANT**—Observe all governing codes and ordinances.
- **Note to Installer**—Be sure to leave these instructions with the consumer.
- **Note to Consumer**—Keep these instructions for future reference.
- Proper installation is the responsibility of the installer and product failure due to improper installation is NOT covered under warranty.
- **NOTE**—This appliance must be properly grounded.
- **ATTENTION INSTALLER**
All electric wall ovens must be hard wired (direct wired) into an approved junction box. A plug and receptacle is NOT permitted on these products.

Parts Included

Taped to top of unit.
(Appearance will vary.)



Screws for Oven Mounting
(8-18 x .750 flat head Phillips wood screws)

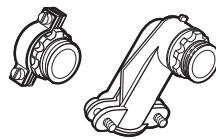


Screws for Bottom Trim Mounting (8-18 x .625 pan head Phillips sheet metal screws)

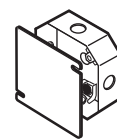


Metal Bottom Trim Assembly

Materials Needed



Strain Relief Clamp for 1/2" conduit

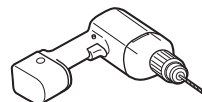


Junction Box



Wire Nuts

Tools Needed



1/8" (3 mm) Drill Bit and Electric or Hand Drill



Phillips Screwdriver

Installation Instructions

IMPORTANT SAFETY INSTRUCTIONS

For Your Safety

- Be sure your oven is installed properly by a qualified installer or service technician.
- Be sure the oven is securely installed in a cabinet that is firmly attached to the house structure. Weight on the oven door could cause the oven to tip and result in injury. Never allow anyone to climb, sit, stand or hang on the oven door.
- Make sure the cabinets and wall coverings around the oven can withstand the temperatures (up to 93°C [200°F]) generated by the oven.



WARNING: The electrical power to the oven supply line must be shut off while line connections are being made. Failure to do so could result in serious injury or death.

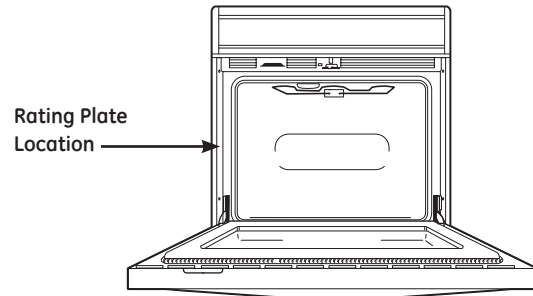
Electrical Requirements

This appliance must be supplied with the proper voltage and frequency, and connected to an individual, properly grounded branch circuit, protected by a circuit breaker or fuse. See the rating plate located on the oven frame to determine the rating of the product. Use the chart below to determine the minimum recommended dedicated circuit protection.

KW Rating 240V	KW Rating 208V	Recommended Circuit Size (Dedicated)
≤4.8 KW	≤4.1 KW	20 Amp
4.9 KW-7.2 KW	4.3 KW-6.2 KW	30 Amp
7.3 KW-9.6 KW	6.3 KW-8.3 KW	40 Amp
9.7 KW-12.0 KW	8.4 KW-10.4 KW	50 Amp

Electrical Requirements (cont.)

Rating Plate is located on oven side trim.



We recommend you have the electrical wiring and hookup of your oven connected by a qualified electrician. After installation, have the electrician show you where your main oven disconnect is located.

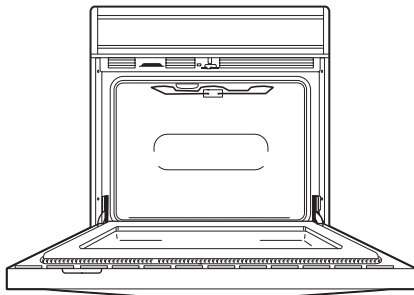
Check with your local utilities for electrical codes which apply in your area. Failure to wire your oven according to governing codes could result in a hazardous condition. If there are no local codes, your oven must be wired and fused to meet the requirements of CAN/CSA C22.2 No. O-M91 or latest edition.

You must use a three-wire, single-phase A.C. 208Y/120 Volt or 240/120 Volt, 60 hertz electrical system. If you connect to aluminum wiring, properly installed connectors approved for use with aluminum wiring must be used.

Installation Instructions

✓ Pre-Installation Checklist

- ✓ Remove packaging materials. Check behind hinges. Remove labels on the outside of the door, plastic on trims and panel, all tape around the oven and any shipping screws securing the oven to the base pad. Do not remove internal rating plate labels.



Oven Racks



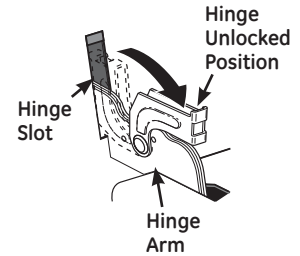
Literature Pack

- ✓ Open oven door and remove literature pack and oven racks.
- ✓ Remove Installation Instructions from literature pack and read them carefully before you begin.
Be sure to place all literature, Owner's Manual, Installations, etc. in a safe place for future reference.



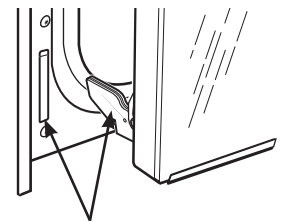
Door removal is not a requirement for installation of the product, but is an added convenience. To remove the door:

- ✓ Open the oven door as far as it will go.
- ✓ Push both hinge locks down toward the door frame, to the unlocked position. This may require a flat blade screwdriver.



DO NOT LIFT THE DOOR BY THE HANDLE!

- ✓ Place hands on both sides of the door, and close the oven door to the removal position, which is most of the way closed.
- ✓ Lift door up and out until the hinge arms clear the slots.



Hinge Clears Slot

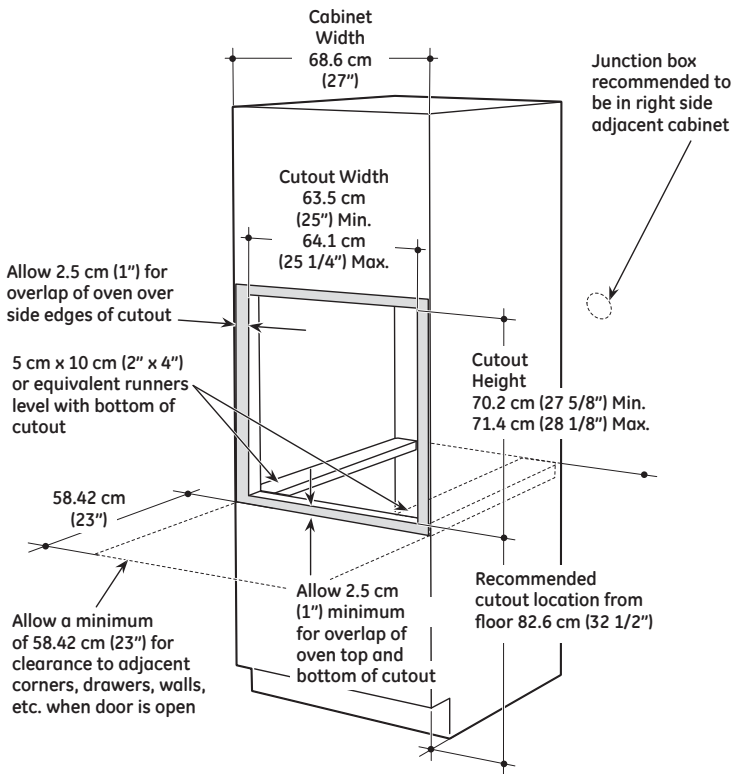
NOTE: The oven door is very heavy. Be sure you have a firm grip before lifting the oven door off the hinges. Use caution once the door is removed. Do not lay the door on its handle. This could cause dents or scratches.

- ✓ Place the oven on a table or platform even with the cutout opening. (Platform must support 68 Kg [150 lbs.])
- ✓ Remove the bottom trim from the top of the oven. It will be installed at the end of the installation process. The trim is wrapped separately and taped to the top of the unit

Installation Instructions

A Cutout for 27" (68.6 cm) Single Built-In Ovens only

For JCK1000, JCK3000, JCK5000, models only.

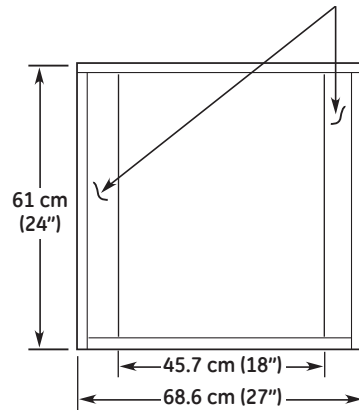


Cabinet Width	68.6 cm (27")
Recommended Cutout Location from Floor	82.6 cm (32 1/2")
Cutout Depth	59.7 cm (23 1/2") Min.
Cutout Width	63.5 cm (25") Min. 64.1 cm (25 1/4") Max.
Cutout Height	70.2 cm (27 5/8") Min. 71.4 cm (28 1/8") Max.

NOTE: If the cabinet does not have a front frame and the sides are less than 1.9 cm (3/4") thick, shim both sides equally to establish the cutout width.

If the cabinet does not have a solid bottom, two braces or runners must be installed level with the bottom of the cutout to support the weight of the oven. For single ovens, the runners and braces must support 68 kg (150 lbs.).

5 cm x 10 cm (2" x 4") or equivalent runners level with bottom of cutout

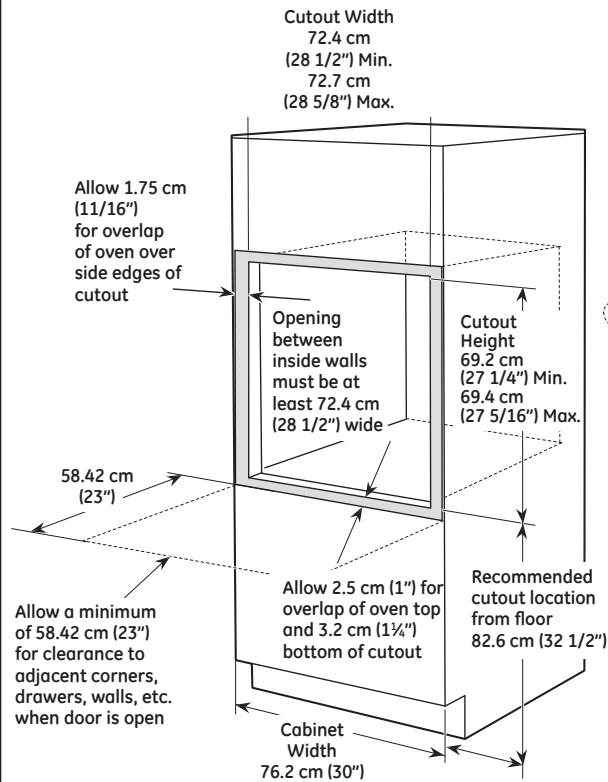


NOTE: If marks, blemishes or the cutout opening are visible above the installed oven, it may be necessary to add wood shims under the runners and front trim until the marks or opening are covered.

These ovens are not approved for stackable installation.

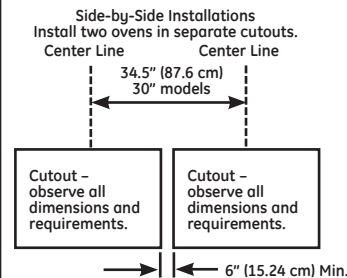
Installation Instructions

A Cutout for 30" (76.2 cm) Single Built-In Ovens only For JCT3000, JCT5000, PCT7050 models only.

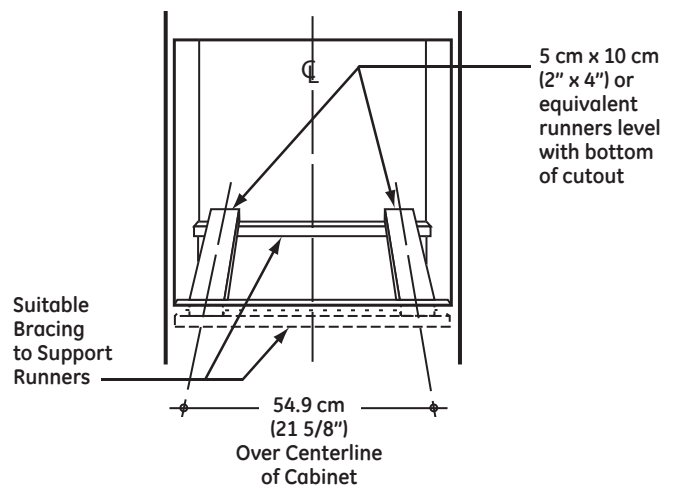


Cabinet Width	76.2 cm (30")
Recommended Cutout Location from Floor	82.6 cm (32 1/2")
Cutout Depth	59.7 cm (23 1/2") Min.
Cutout Width	72.4 cm (28 1/2") Min. 72.7 cm (28 5/8") Max.
Cutout Height	69.2 cm (27 1/4") Min. 69.4 cm (27 5/16") Max.

NOTE: If the cabinet does not have a front frame and the sides are less than 1.9 cm (3/4") thick, shim both sides equally to establish the cutout width.



If the cabinet does not have a solid bottom, two braces or runners must be installed level with the bottom of the cutout to support the weight of the oven. For single ovens, the runners and braces must support 68 kg (150 lbs.).



NOTE: If marks, blemishes or the cutout opening are visible above the installed oven, it may be necessary to add wood shims under the runners and front trim until the marks or opening are covered.

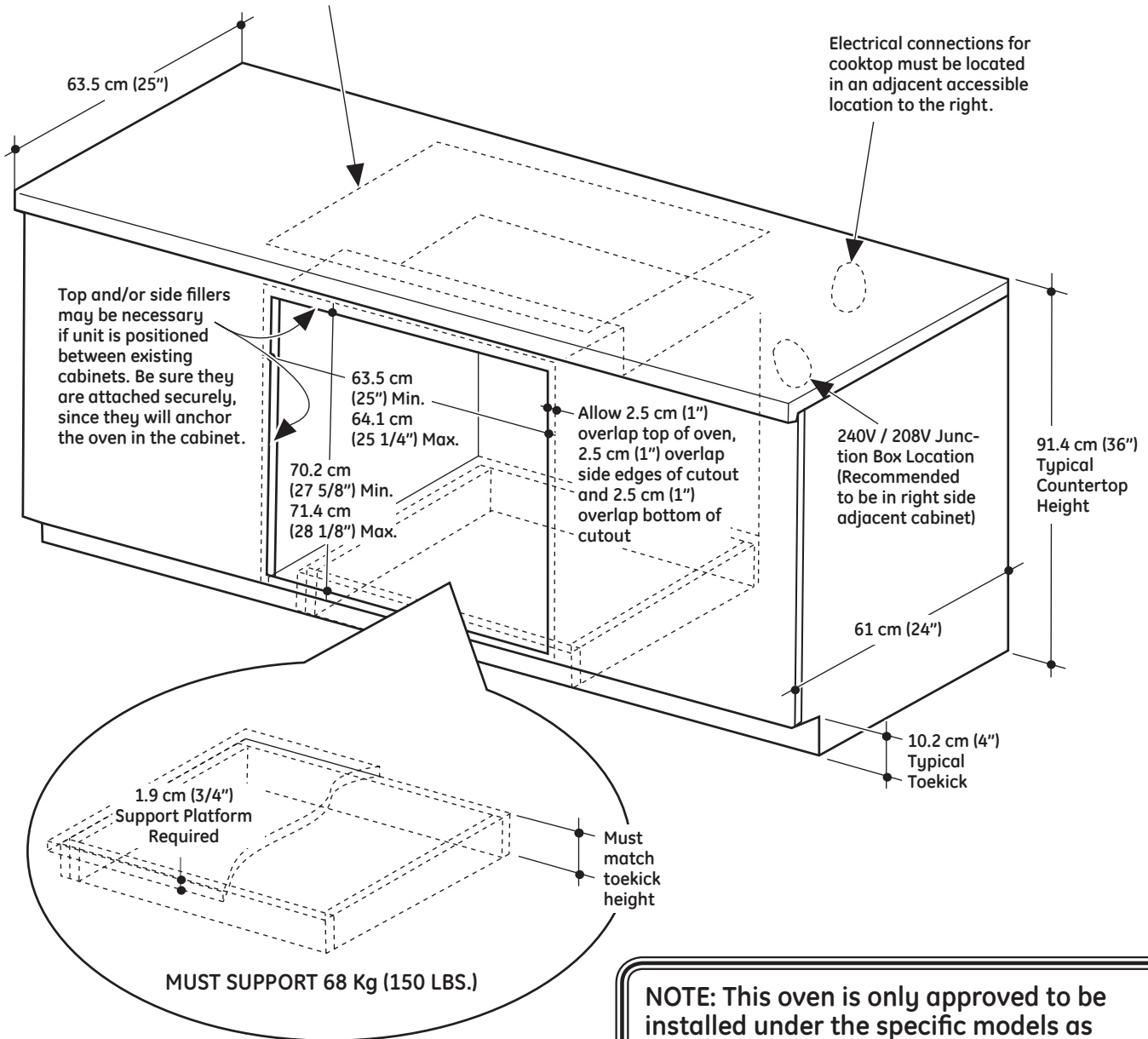
These ovens are not approved for stackable installation.

Installation Instructions

A Cutout for 27" (68.6 cm) Single Built-In Ovens only Under Counter

For JCK1000, JCK3000, JCK5000 models only.

GE Electric cooktops may be installed over this oven. See cooktop installation instructions for cutout size. See label on top of oven for approved cooktop models.

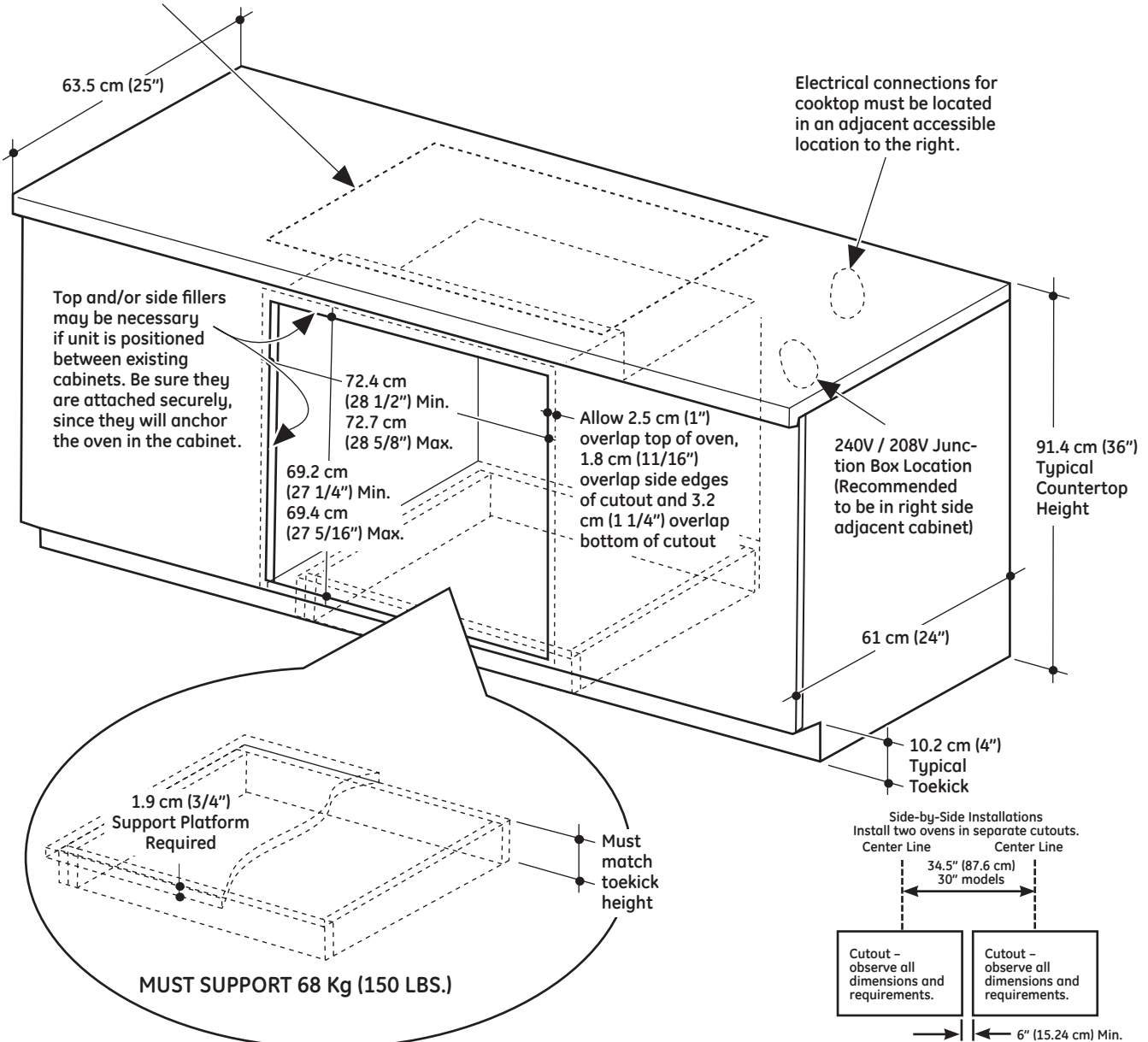


Installation Instructions

A Cutout for 30" (76.2 cm) Single Built-In Ovens only Under Counter

For JCT3000, JCT5000, PCT7050 models only.

GE electric cooktops may be installed over this oven. See cooktop installation instructions for cutout size. See label on top of oven for approved cooktop models.



NOTE: This oven is only approved to be installed under the specific models as labeled on this unit.

Installation Instructions

B Electrical Connections

ATTENTION INSTALLER

All electric wall ovens must be hard wired (direct wired) into an approved junction box. A plug and receptacle is NOT permitted on these products.

DO NOT shorten the flexible conduit. The conduit strain relief clamp must be securely attached to the junction box and the flexible conduit must be securely attached to the clamp. If the flexible conduit will not fit within the clamp, do not install the oven until a clamp of the proper size is obtained.

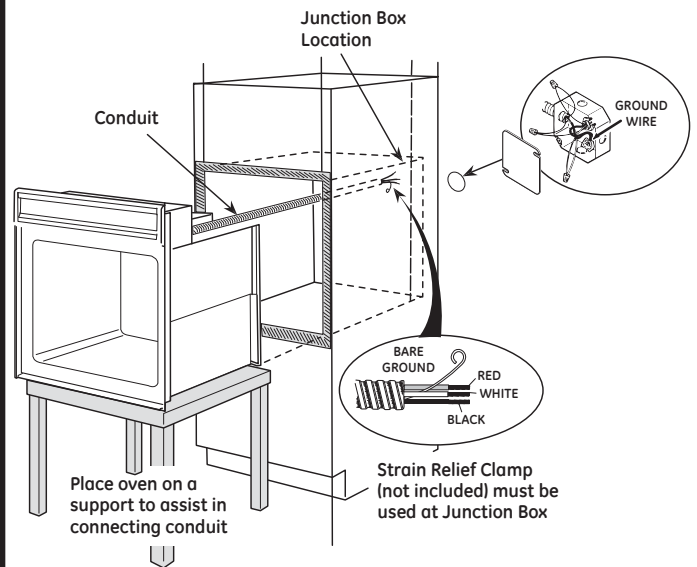
NOTE TO ELECTRICIAN: The 3 power leads supplied with this appliance are CSA recognized for connection to heavier gauge household wiring. The insulation of these 3 leads is rated at temperatures much higher than the temperature rating of household wiring. The current carrying capacity of the conductor is governed by the wire gauge and the temperature rating of the insulation around the wire.



WARNING: Improper connection of aluminum house wiring to copper leads can result in an electrical hazard or fire. Use only connectors designed for joining copper to aluminum and follow the manufacturer's recommended procedure closely.

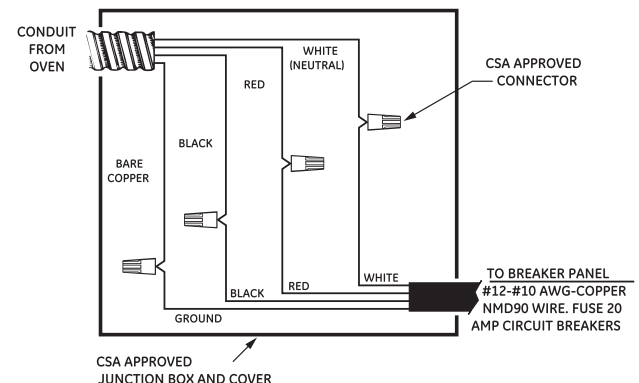
B1 Turn off the circuit breaker or remove fuses to the oven branch circuit.

B2 With the oven supported on a table or platform in front of the cabinet opening, connect the flexible conduit to the electrical junction box as shown below. Position the conduit in such a manner that it will fall on the right back side of the oven in a natural loop when the oven is installed. You will need to purchase an appropriate strain relief clamp to complete the connection of the conduit to the junction box.



B3 This oven is supplied with a 123 cm (48") long flexible conduit consisting of:
3 insulated conductors (copper)
1 bare ground conductor (copper)

B4 Attach conductors to residence wiring as shown by wiring diagram.

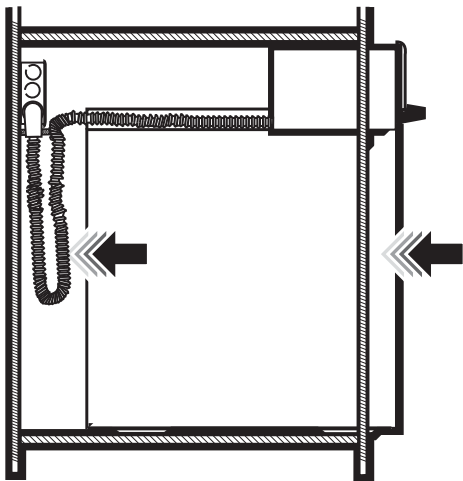


Installation Instructions

C Securing the Oven in the Opening

C1 Sliding the Oven Into the Opening

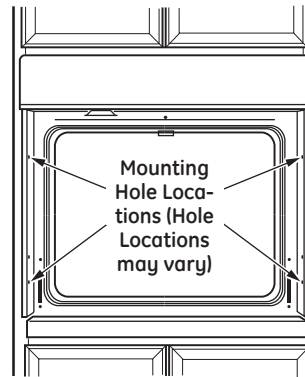
- Lift oven into cabinet cutout using the oven opening as a grip. Carefully push against oven front frame. Do not push against outside edges.



C2 Drilling the Pilot Holes and Mounting the Oven

NOTE: Before drilling the pilot holes, make sure the oven is pushed as far back into the opening as it will go and is centered.

- a. Drill through the mounting holes (top and bottom) of the side trim, for the #8 screws provided.



The screws must be a minimum of 6 mm (1/4") from the front of the cutout.

WARNING: Mounting screws must be used. Failure to do so could result in the oven falling out of the cabinet, causing serious injury.

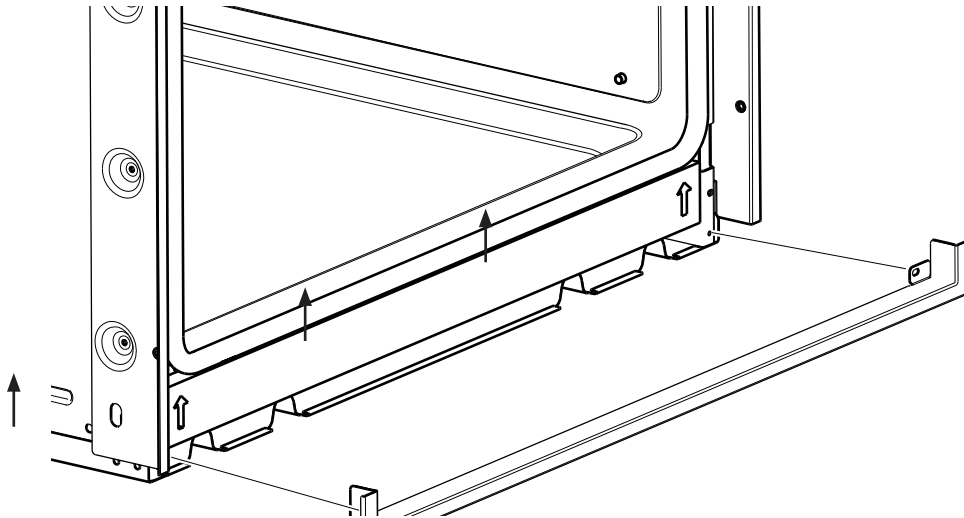
- b. Secure the oven to cabinet with screws provided.

NOTE: If the cabinet is particle board, you must use #8 x 19 mm (3/4") particle board screws. These may be purchased at any hardware store.

Installation Instructions

C3 Bottom Trim Installation

- With oven installed, attach the bottom trim through its mounting holes in front vertical brace using two trim screws provided. Bottom trim lip must be placed under flange or bottom of air duct.



IMPORTANT: If this unit is ever removed from the cabinet or the oven is ever pulled out for service, the bottom trim must be removed first or damage to the trim will occur.

Installation Instructions

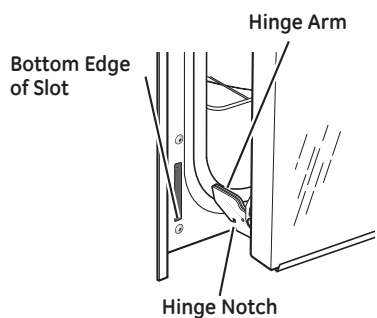
D Replacing the Oven Door

NOTE: The oven door is heavy. You may need help lifting the door high enough to slide it into the hinge slots. Do not lift the door by the handle.

- D1** Lift the oven door by placing one hand on each side. The door is heavy, so you may need help. Do not lift the door by the handle.

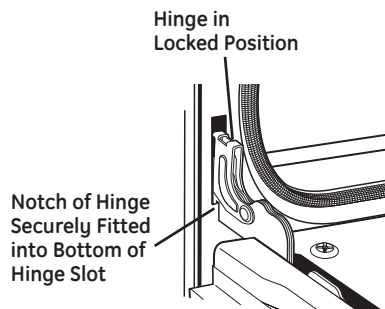


- D2** With the door at the same angle as the removal position, which is most of the way closed, seat the notch of the hinge arm into the bottom edge of the hinge slot. The notch of the hinge arm must be fully seated into the bottom of the slot.



- D3** Open the oven door as far as it will open.

- D4** Push the hinge locks up against the front frame of the oven cavity, to the locked position.



- D5** Close the oven door.

Installation Instructions

Pre-Test Checklist

- Remove all protective film, if present, and any stickers.
- Check to be sure that all wiring is secure and not pinched or in contact with moving parts.
- Check that the bottom trim is installed properly (see page 10).
- Check to be sure the mounting screws are installed and flush with the side trim (see page 9).
- Ensure that air duct at bottom of unit is free of obstructions.

Operation Checklist

- Remove all items from the inside of the oven.
 - Check that conduit is securely connected to the junction box.
 - Turn on the power to the oven. (Refer to your Owner's Manual.) Verify that the bake and broil units, and all cooking functions operate properly.
 - Check that the circuit breaker is not tripped nor the house fuse blown.
 - See your Owner's Manual for troubleshooting list.
- NOTE TO ELECTRICIAN:** The power leads supplied with this appliance are CSA recognized for connections to larger gauge household wiring. The insulation of these leads is rated at temperatures much higher than the temperature rating of household wiring. The current carrying capacity of a conductor is governed by the wire gauge and also the temperature rating of the insulation around the wire.
- NOTE: ALUMINUM WIRING**
- A. **WARNING: IMPROPER CONNECTION OF ALUMINUM HOUSE WIRING TO THE COPPER LEADS CAN RESULT IN AN ELECTRICAL HAZARD OR FIRE.**
 - B. Splice copper wires to aluminum wiring using special connectors designed and CSA approved for joining copper to aluminum, and follow the manufacturer's recommended connector procedure closely.
- NOTE:** Wire used, location and enclosure of splices, etc., must conform to good wiring practice and local codes.

Notes

Notes

Directives d'installation

Four mural encastré de

modèles de 27 po (68,6 cm)
JCK1000, JCK3000, JCK5000

modèles de 30 po (76,2 cm)
JCT3000, JCT5000, PCT7050

Si vous avez des questions, composez le 1.800.561.3344 ou visitez notre site web à : www.electromenagersge.ca

Avant de commencer

Lisez complètement et attentivement les directives suivantes.

- **IMPORTANT**—Conservez ces directives pour votre inspecteur local.
- **IMPORTANT**—Respectez tous les codes et les décrets en vigueur.
- Note à l'intention de l'installateur—Assurez-vous de laisser ces directives chez le consommateur.
- Note au consommateur—Conservez ces directives pour consultation ultérieure.

- Il est de la responsabilité de l'installateur de procéder à une installation appropriée. Un dysfonctionnement du produit qui résulterait d'une installation incorrecte ne serait pas couvert par la garantie.

- **NOTE**—Cet appareil doit être mis à la terre adéquatement.

• AVIS IMPORTANT À L'INSTALLATEUR :

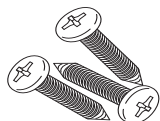
Tous les fours muraux encastrés doivent être raccordés (raccordement direct) dans un boîtier de jonction homologué. Une fiche et une prise de courant ne sont PAS autorisées pour brancher ces produits.

Pièces incluses

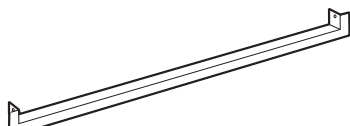
Fixé avec du ruban sur le dessus de l'appareil.
(L'aspect des pièces peut varier.)



Vis pour montage du four
(vis à bois à tête fraisée
cruciforme 8-18 x 0,750)



Vis pour montage de
garniture inférieure (vis
mécanique 8-18 x 0,625 à
tête cruciforme)

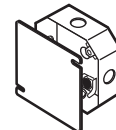
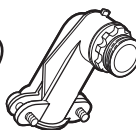


Montage de garniture
inférieure métallique

Matériel requis



Bague anti-traction
pour conduit de 1/2 po

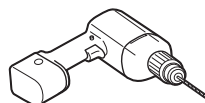


Boîte de
jonction



Serre-fils

Outils requis



Perceuse électrique ou
manuelle et mèche de
3 mm (1/8 po)



Tournevis à pointe
cruciforme

Directives d'installation

CONSIGNES DE SÉCURITÉ IMPORTANTES

Pour votre sécurité

- Assurez-vous que votre four est bien monté par un installateur qualifié ou un technicien de service.
- Assurez-vous que votre four est monté en toute sécurité dans une enceinte qui est bien fixée à la structure de votre maison. Toute pression appliquée sur la porte du four peut faire tomber le four et occasionner des blessures. Ne permettez à personne de grimper, de s'asseoir, de se tenir sur la porte du four ou de s'y suspendre.
- Assurez-vous que les armoires de cuisine et les revêtements de mur autour du four peuvent supporter la température (pouvant atteindre 93 °C [200 °F]) produite par le four.



AVERTISSEMENT : Vous devez couper l'alimentation électrique du four avant de le brancher. Le défaut de se conformer à cette procédure peut entraîner des blessures sévères et même la mort.

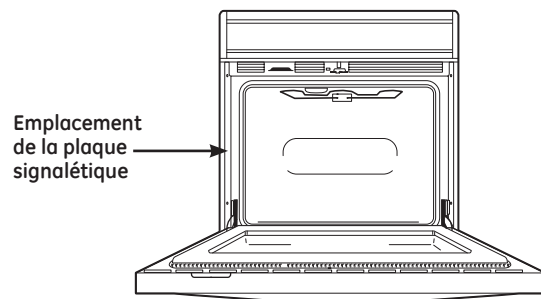
Alimentation

Cet appareil doit être alimenté avec un courant de tension et de fréquence appropriées et connecté à un circuit individuel adéquatement mis à la terre et protégé par un disjoncteur ou un fusible. Veuillez consulter la plaque signalétique située sur le cadre du four afin de déterminer la puissance nominale du produit. Servez-vous du tableau ci-dessous pour déterminer la protection minimale recommandée du circuit dédié.

Puissance nominale en kW 240V	Puissance nominale en kW 208 V	Calibre recommandé pour le circuit (dédié)
≤ 4,8 kW	≤ 4,1 kW	20 ampères
4,9 kW à 7,2 kW	4,3 kW à 6,2 kW	30 ampères
7,3 kW à 9,6 kW	6,3 kW à 8,3 kW	40 ampères
9,7 kW à 12,0 kW	8,4 kW à 10,4 kW	50 ampères

Alimentation (suite)

La plaque signalétique est située sur la garniture latérale du four.



Nous vous recommandons de faire réaliser le câblage électrique et le branchement de votre four par un électricien qualifié. Après le montage, demandez à l'électricien de vous montrer l'emplacement de l'interrupteur d'isolement de votre four.

Vérifiez, auprès de votre compagnie d'électricité, le code de l'électricité régissant les installations électriques dans votre

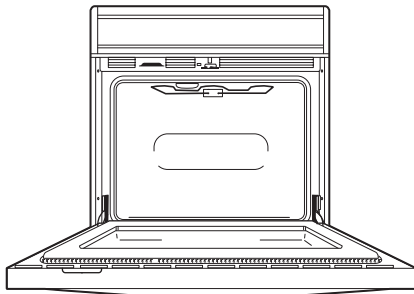
région. Si vous ne branchez pas votre four conformément au code en vigueur, vous vous exposez à une situation dangereuse. En l'absence d'un code de l'électricité local, votre four doit être muni d'un branchement et de fusibles qui répondent à la norme CAN/CSA C22.2 No. O-M91, ou la dernière édition.

Vous devez utiliser un circuit électrique présentant les caractéristiques suivantes : courant monophasé (c.a.), trifilaire, 208Y/120 volts ou 240/120 volts, 60 hertz. Si vous vous branchez à du câblage en aluminium, vous devez utiliser des connecteurs correctement montés et approuvés pour ce type de câblage.

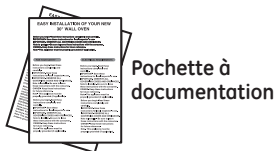
Directives d'installation

✓ Liste de vérification avant montage

- ✓ Enlevez tous les matériaux d'emballage. Vérifiez l'arrière des charnières. Enlevez les étiquettes sur la face extérieure de la porte, la matière plastique sur les garnitures et le panneau ainsi que le ruban collé autour du four. Enlevez aussi les vis d'expédition qui fixent le four sur sa base. Ne retirez pas les plaques signalétiques à l'intérieur.



Grilles du four



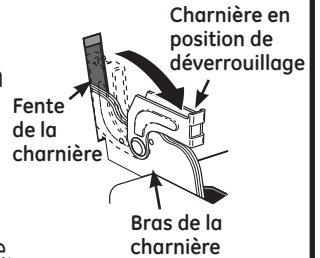
Pochette à documentation

- ✓ Ouvrez la porte du four et enlevez la documentation ainsi que les grilles.
- ✓ Retirez les directives d'installation de la pochette à documentation et lisez-les attentivement avant de commencer. Assurez-vous de ranger la documentation dans un endroit sûr pour consultation ultérieure.



Il est possible d'enlever la porte du four pour faciliter l'installation, bien que cela ne soit pas obligatoire. Pour enlever la porte :

- ✓ Ouvrez la porte jusqu'à son angle maximum.
- ✓ Amenez les deux charnières en position de déverrouillage en les abaissant vers le châssis de la porte. S'il le faut, utilisez un tournevis à lame plate.



NE SOULEVEZ PAS LA PORTE PAR SA POIGNÉE!

- ✓ Placez vos mains de chaque côté de la porte et refermez la porte du four jusqu'à la position d'enlèvement, qui correspond à peu près à la position fermée.
- ✓ Soulevez la porte en tirant vers l'extérieur jusqu'à ce que les bras des charnières sortent des fentes.

Charnière sortie de la fente

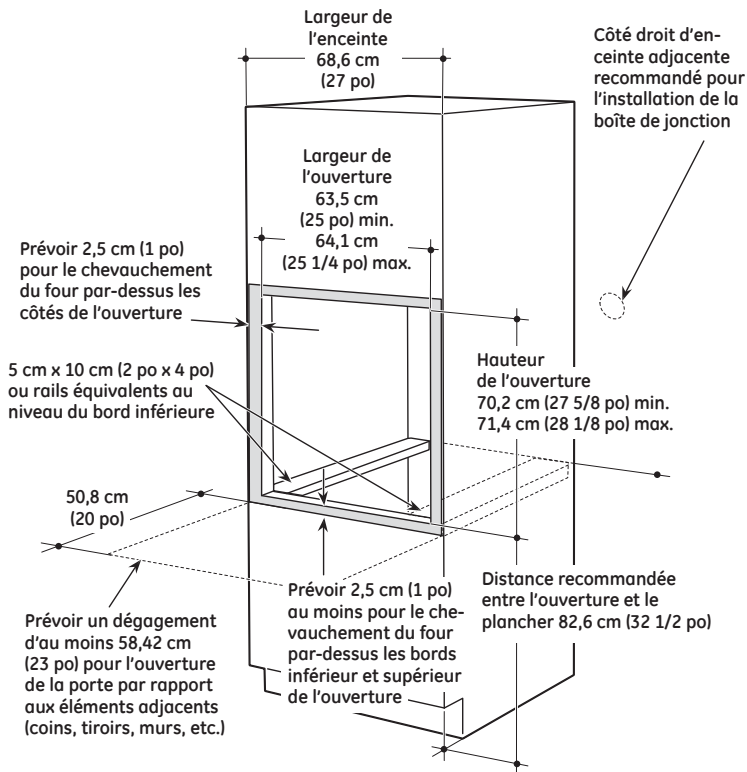
NOTE : La porte du four est très lourde. Assurez-vous de bien la tenir avant de la soulever pour la séparer des charnières. Soyez vigilant une fois la porte enlevée. Ne laissez jamais la porte reposer sur sa poignée. Cela pourrait la rayer ou la bosseler.

- ✓ Placez le four sur une table ou une plateforme de niveau avec l'ouverture qui a été pratiquée pour recevoir le four (la plateforme doit pouvoir supporter 68 kg [150 livres] dans le cas d'un four simple).
- ✓ Enlevez la garniture inférieure fixée temporairement dans le haut du four. Elle sera posée à la fin du montage. La garniture est emballée séparément et fixée dans le haut du four par du ruban adhésif.

Directives d'installation

A Ouverture pour fours encastrés simples 27 po (68,6 cm) seulement

Pour les modèles JCK1000, JCK3000, JCK5000 seulement.

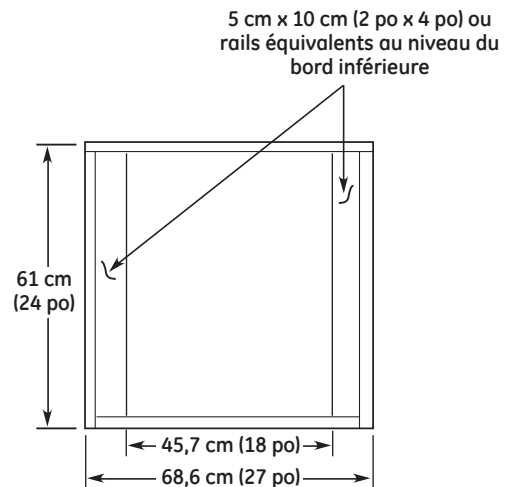


Largueur de l'enceinte	68,6 cm (27 po)
Distance recommandée entre l'ouverture et le plancher	82,6 cm (32 1/2 po)
Profondeur de l'ouverture	59,7 cm (23 1/2 po) min.
Largueur de l'ouverture	63,5 cm (25 po) min. 64,1 cm (25 1/4 po) max.
Hauteur de l'ouverture	70,2 cm (27 5/8 po) min. 71,4 cm (28 1/8 po) max.

NOTE : Si l'enceinte n'est pas dotée d'un panneau frontal et si l'épaisseur des côtés fait moins de 1,9 cm (3/4 po), placez des cales d'égale épaisseur de chaque côté pour déterminer la largeur de l'ouverture.

Si l'enceinte n'est pas munie d'un fond solide, deux entretoises ou rails doivent être posés au niveau du bord inférieur de l'ouverture pour soutenir le poids du four. Ces entretoises ou rails doivent supporter 68 kg (150 livres) dans le cas d'un four simple.

NOTE : Si la trace de l'ouverture, des marques ou des imperfections sont visibles au-dessus du four, il peut être nécessaire d'ajouter des cales de bois sous les rails et la garniture frontale jusqu'à ce que les défauts ou la trace de l'ouverture soient cachés.

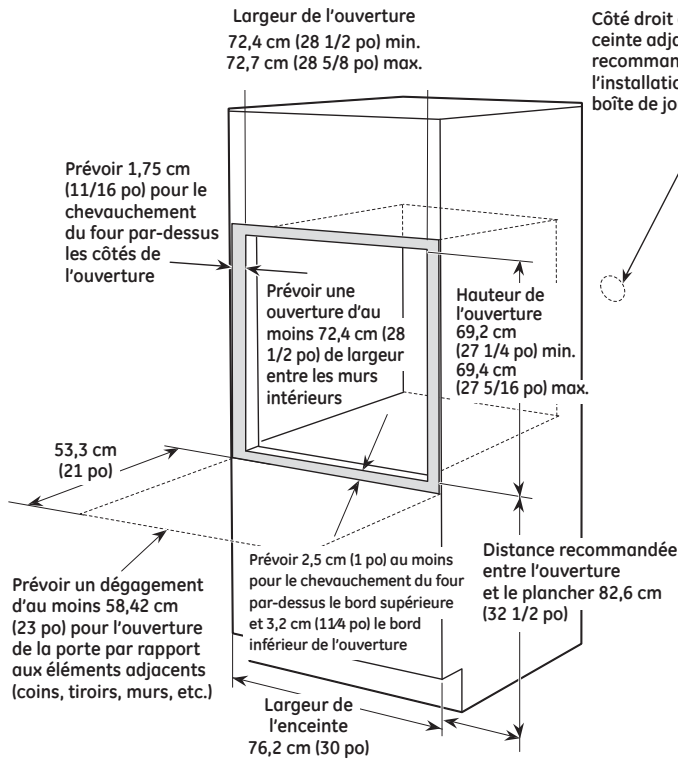


Ces fours ne sont pas approuvés pour un montage superposé.

Directives d'installation

A Ouverture pour fours encastrés simples 30 po (76,2 cm) seulement

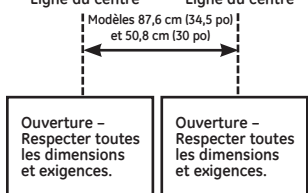
Pour les modèles JCT3000, JCT5000, PCT7050 seulement.



Largeur de l'enceinte	76,2 cm (30 po)
Distance recommandée entre l'ouverture et le plancher	82,6 cm (32 1/2 po)
Profondeur de l'ouverture	59,7 cm (23 1/2 po) min.
Largeur de l'ouverture	72,4 cm (28 1/2 po) min. 72,7 cm (28 5/8 po) max.
Hauteur de l'ouverture	69,2 cm (27 1/4 po) min. 69,4 cm (27 5/16 po) max.

NOTE : Si l'enceinte n'est pas dotée d'un panneau frontal et si l'épaisseur des côtés fait moins de 1,9 cm (3/4 po), placez des cales d'égale épaisseur de chaque côté pour déterminer la largeur de l'ouverture.

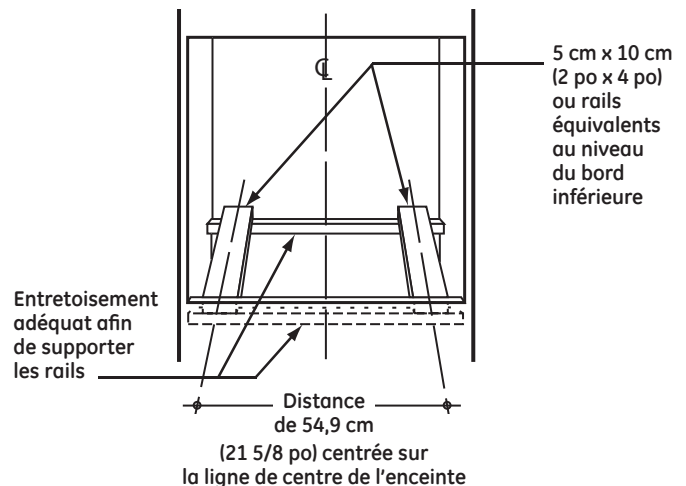
Installations côte-à-côte
Installez deux fours dans des enceintes distinctes.



15,24 cm (6 po) min.

Si l'enceinte n'est pas munie d'un fond solide, deux entretoises ou rails doivent être posés au niveau du bord inférieur de l'ouverture pour soutenir le poids du four. Ces entretoises ou rails doivent supporter 68 kg (150 livres) dans le cas d'un four simple.

NOTE : Si la trace de l'ouverture, des marques ou des imperfections sont visibles au-dessus du four, il peut être nécessaire d'ajouter des cales de bois sous les rails et la garniture frontale jusqu'à ce que les défauts ou la trace de l'ouverture soient cachés.



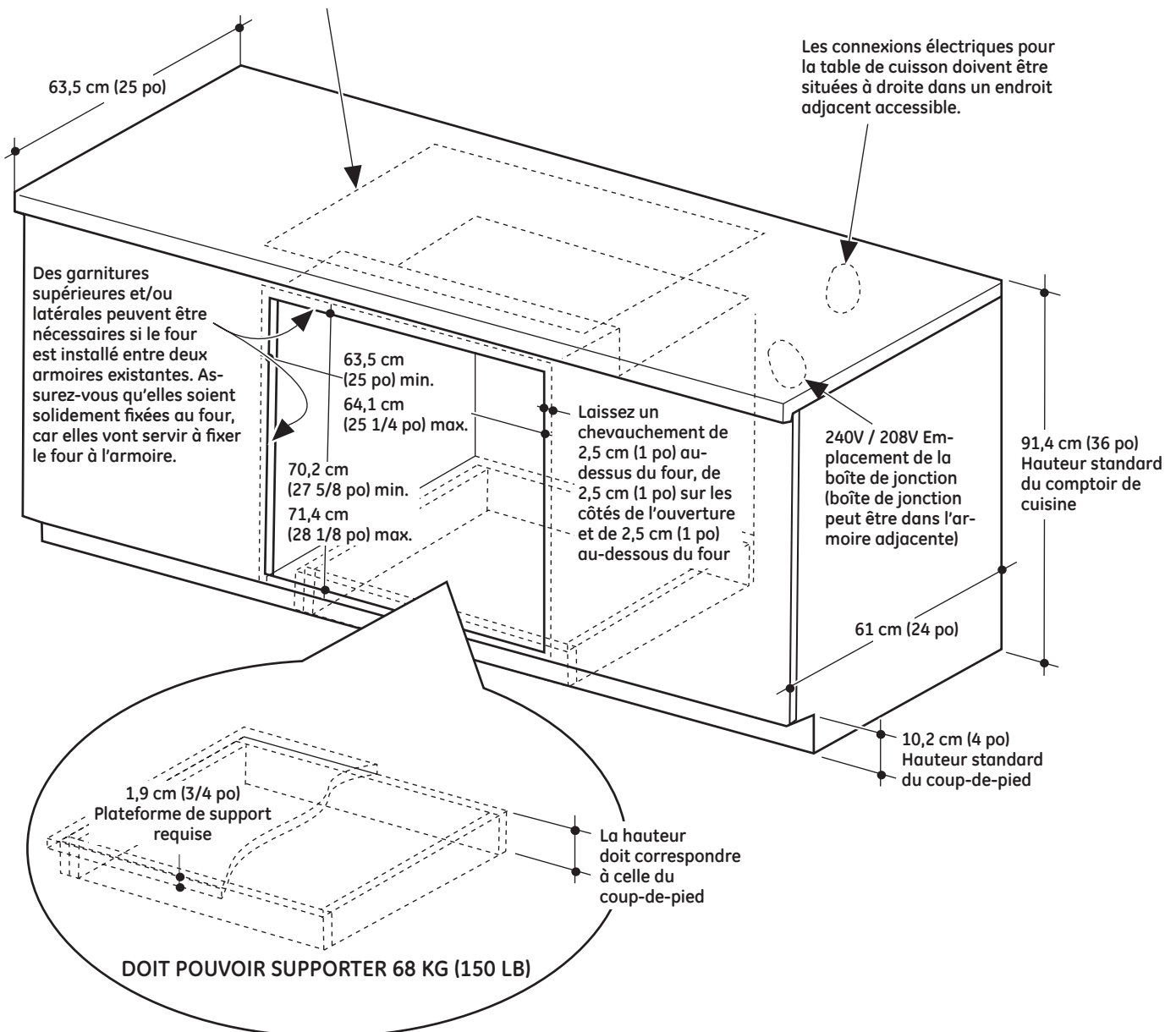
Ces fours ne sont pas approuvés pour un montage superposé.

Directives d'installation

A Ouverture pour four encastré simple installé au dessous d'un comptoir 27 po (68,6 cm)

Pour les modèles JCK1000, JCK3000, JCK5000 seulement.

Les tables de cuisson GE Electric peuvent être installées sur ce four. Voir les instructions d'installation de la table de cuisson pour connaître la taille de l'ouverture. Voir l'étiquette sur le dessus du four pour connaître les modèles de table de cuisson approuvés.

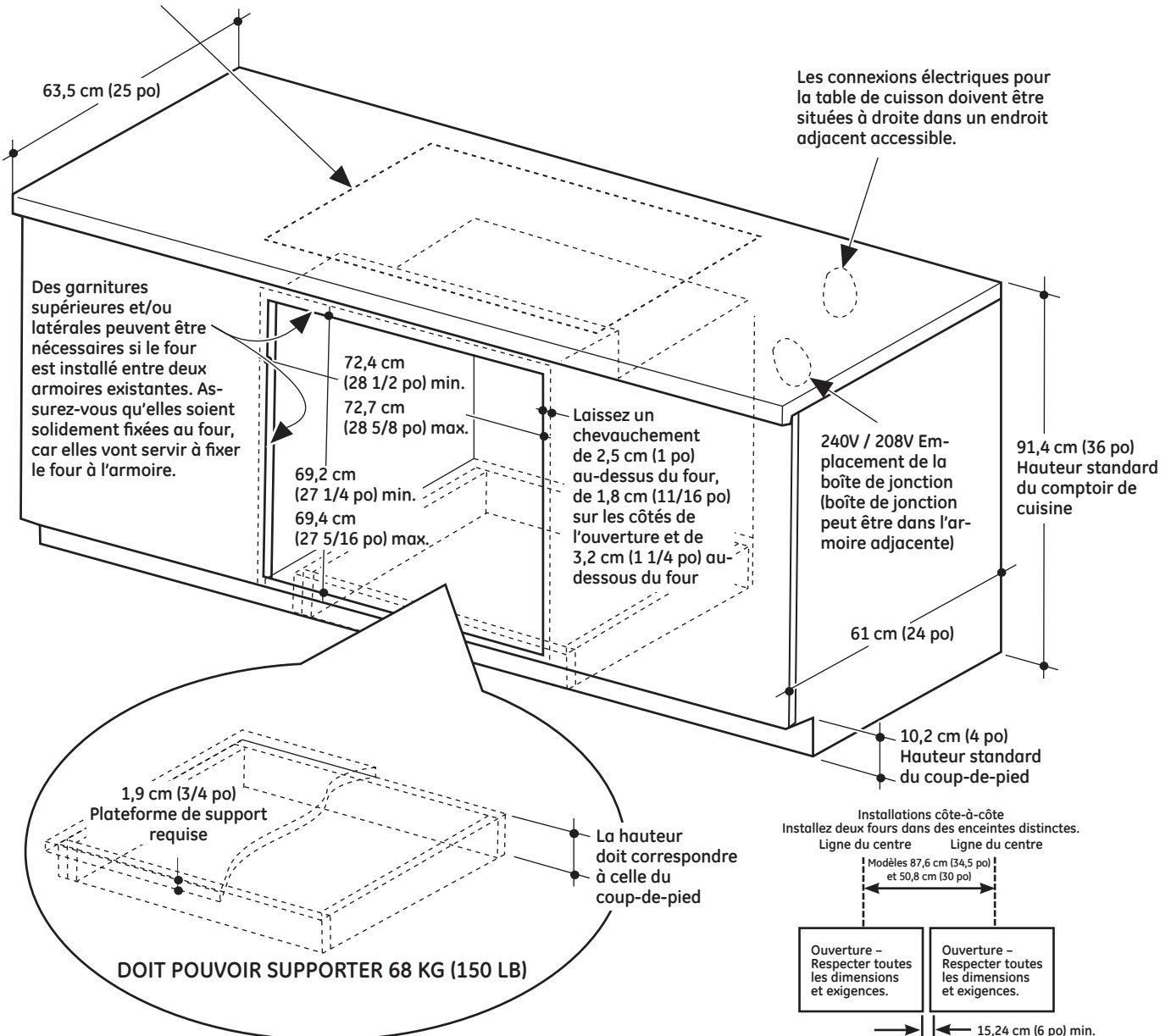


Directives d'installation

A Ouverture pour four encastré simple installé au dessous d'un comptoir 30 po (76,2 cm)

Pour les modèles JCT3000, JCT5000, PCT7050 seulement.

Les tables de cuisson GE Electric peuvent être installées sur ce four. Voir les instructions d'installation de la table de cuisson pour connaître la taille de l'ouverture. Voir l'étiquette sur le dessus du four pour connaître les modèles de table de cuisson approuvés.



NOTE : Ce four est approuvé uniquement pour une installation sous les modèles particuliers mentionnés sur l'étiquette apposée sur cet appareil.

Directives d'installation

B Raccordement électrique

AVIS IMPORTANT À L'INSTALLATEUR :

Tous les fours muraux encastrés doivent être raccordés (raccordement direct) dans une boîte de jonction approuvée. Une fiche et une prise de courant ne sont PAS autorisées pour brancher ce produit.

NE PAS raccourcir le conduit flexible. La bague anti-traction du conduit doit être fixée fermement à la boîte de jonction et le conduit flexible doit être fixé fermement à la bague. Si le conduit flexible n'est pas ajusté à la bague, procurez-vous une bague dont la taille est appropriée avant d'installer le four.

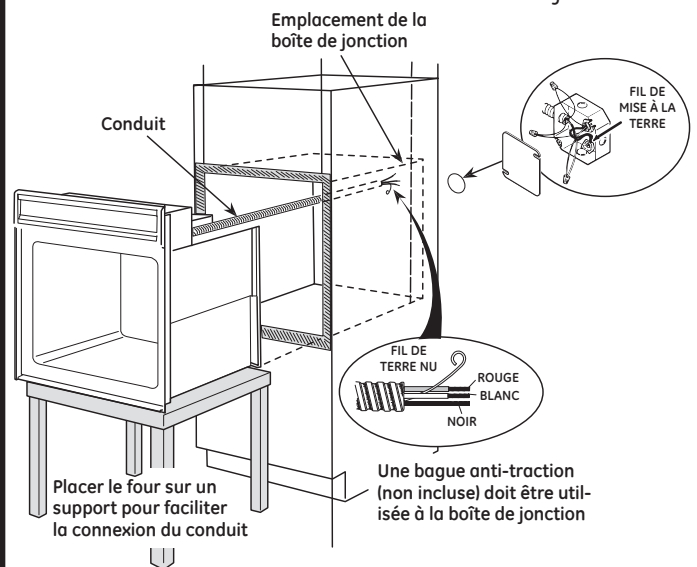
AVIS L'ÉLECTRICIEN : Les 3 fils électriques de sortie fournis avec cet appareil sont approuvés par la CSA pour un branchement à du câblage résidentiel de calibre (Gauge) supérieur. Les températures nominales de l'isolant de ces 3 fils sont beaucoup plus élevées que celles du câblage résidentiel. La capacité de transport du courant supportée par un conducteur est déterminée par le calibre du fil et la température nominale de l'isolant autour du fil.



AVERTISSEMENT : Le raccordement inadéquat d'un câblage résidentiel en aluminium à des fils de sortie en cuivre peut entraîner un risque électrique ou d'incendie. Utilisez uniquement des connecteurs conçus pour raccorder du cuivre à l'aluminium et respectez minutieusement la procédure recommandée par le fabricant.

B1 Mettez le disjoncteur hors circuit ou enlevez les fusibles du circuit terminal du four.

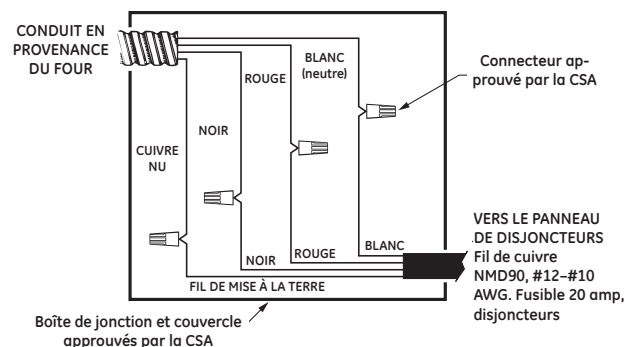
B2 Le four reposant sur une table ou une plateforme en face de l'ouverture de l'enceinte, connectez le conduit flexible à la boîte de jonction, tel qu'illustré ci-dessous. Positionnez le conduit de manière à ce qu'il tombe naturellement en boucle à l'arrière du côté droit du four lorsque ce dernier est installé. Vous devez vous procurer une bague anti-traction appropriée pour terminer la connexion du conduit à la boîte de jonction.



B3 Ce four est doté d'un conduit flexible de 123 cm (48 po) comportant :

- 3 conducteurs isolés (en cuivre)
- 1 conducteur de mise à la terre dénudé (en cuivre)

B4 Raccordez les conducteurs au câblage de la maison, tel qu'illustré dans le schéma de câblage.

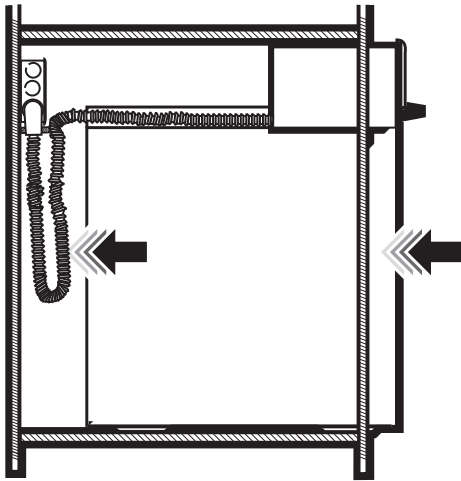


Directives d'installation

C Fixation du four dans l'ouverture

C1 Mise en place du four dans l'ouverture

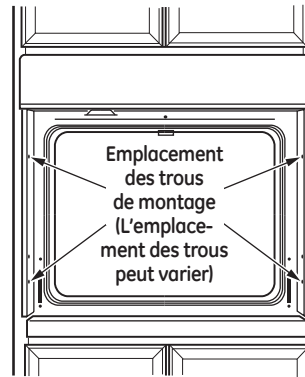
- Agrippez le four par l'intérieur de son orifice pour le soulever fermement jusqu'à dans l'ouverture de l'enceinte. Poussez avec précaution sur le devant du châssis du four. Ne poussez pas sur les bords extérieurs.



C2 Perçage des trous de guidage et montage du four

NOTE: Avant de percer les trous de guidage, assurez-vous de pousser le four jusqu'à l'endroit où il doit aller et de le centrer adéquatement.

- a. Percez à travers les trous de montage (haut et bas) de la garniture latérale, pour recevoir les vis #8 fournies.



Les vis doivent être à une distance d'au moins 6 mm (1/4 po) du devant de l'ouverture.



AVERTISSEMENT : Des vis de montage doivent être utilisées. Le défaut de se conformer à cette directive peut occasionner la chute de four et, par voie de conséquence, des blessures sévères.

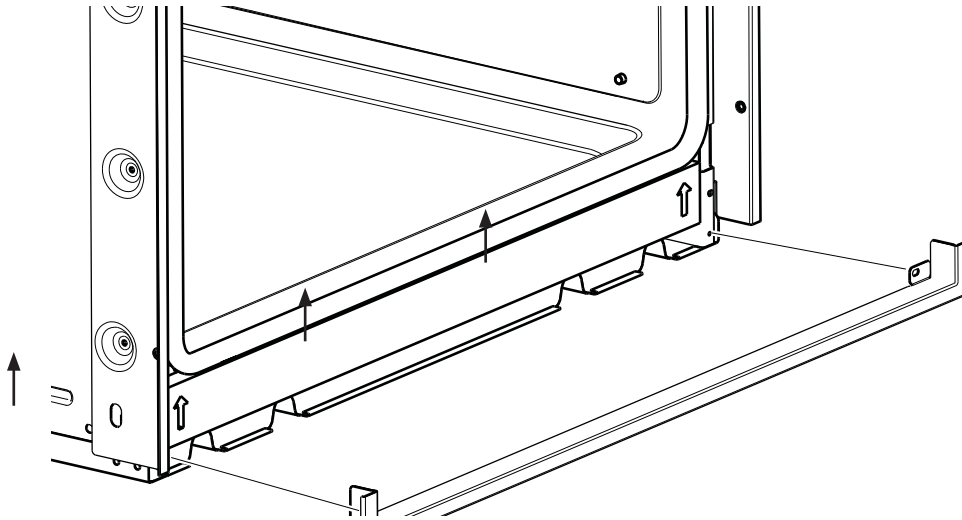
- b. Fixez le four à l'enceinte à l'aide des vis fournies.

NOTE: Si l'enceinte est en panneaux de particules, vous devez utiliser des vis z#8 x 19 mm (3/4 po) conçues pour ce matériau. On peut s'en procurer dans n'importe quelle quincaillerie.

Directives d'installation

C3 Installation de la garniture inférieure

- Lorsque le four est installé, insérez la garniture inférieure dans ses trous de montage à l'avant de l'entretoise en utilisant les deux vis pour garniture fournies. Le rebord de la garniture inférieure doit être placée sous la collerette ou au bas du conduit d'air.



IMPORTANT : La garniture risque d'être endommagée si elle n'est pas enlevée en premier lorsque l'appareil est retiré de l'enceinte pour une réparation ou une autre raison.

Directives d'installation

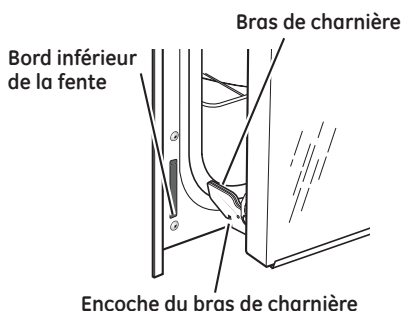
D Remise en place de la porte du four

NOTE : La porte du four est lourde. Il se peut que vous ayez besoin d'aide pour la soulever assez haut pour la glisser dans ses charnières. Ne soulevez pas la porte par la poignée.

- D1** Pour soulever la porte du four, saisissez-la de chaque côté. La porte est lourde de sorte que vous pourriez avoir besoin d'aide. Ne soulevez pas la porte par la poignée.

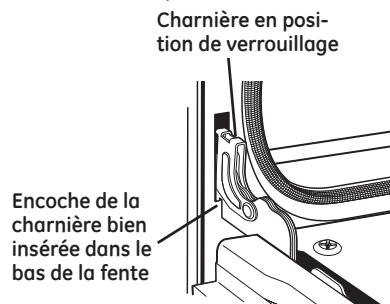


- D2** En maintenant la porte à la position d'enlèvement, qui correspond à peu près à la position fermée, placez l'encoche du bras de charnière dans le bord inférieur de la fente de la charnière. L'encoche doit être bien insérée dans le bas de la fente.



- D3** Ouvrez la porte du four jusqu'à son angle maximum.






- D4** Placez les verrous de la charnière en position de verrouillage en poussant vers le haut contre le panneau frontal du four.








- D5** Fermez la porte du four.


Directives d'installation

Liste de vérification avant l'essai

-  S'il y a lieu, enlevez la pellicule protectrice et les étiquettes collées sur le four.
-  Vérifiez que tout le câblage est bien fixé et qu'il n'est pas coincé ou en contact avec des pièces en mouvement.
-  Vérifiez que la garniture inférieure est bien montée (voir la page 10).
-  Vérifiez que les vis de montage sont bien en place et ne dépassent pas la surface de la garniture latérale (voir la page 9).
-  Assurez-vous que le bas du conduit d'air de l'appareil est libre de toutes obstructions.

Liste de vérification pour l'essai

-  Enlevez tous les articles à l'intérieur du four.
-  Vérifiez que le conduit est bien connecté à la boîte de jonction.
-  Mettez le four en marche (consultez votre Manuel d'utilisation et d'entretien). Vérifiez que toutes les opérations de cuisson fonctionnent adéquatement, y compris les modes Cuisson (Bake) et Gril (Broil).
-  Vérifiez que le disjoncteur n'est pas déclenché ou le fusible de la maison grillé.
-  Consultez le guide de dépannage de votre Manuel d'utilisation et d'entretien.

 **NOTE À L'USAGE DE L'ÉLECTRICIEN :** Les fils électriques de sortie fournis avec cet appareil sont approuvés CSA pour un branchement à du câblage résidentiel de calibre supérieur. Les températures nominales de l'isolant de ces fils sont beaucoup plus élevées que celles du câblage résidentiel. La capacité de transport du courant supportée par un conducteur est déterminée par le calibre du fil et la température nominale de l'isolant autour du fil.

NOTE : CÂBLAGE D'ALUMINIUM

A. AVERTISSEMENT :
LE RACCORDEMENT INAPPROPRIÉ D'UN CÂBLAGE RÉSIDENTIEL EN ALUMINIUM À DES FILS DE SORTIE EN CUIVRE PEUT ENTRAÎNER UN RISQUE ÉLECTRIQUE OU D'INCENDIE.

B. Raccordez les fils de cuivre au câblage d'aluminium à l'aide de connecteurs spéciaux approuvés CSA, conçus pour raccorder du cuivre à l'aluminium, et suivez minutieusement la procédure recommandée par le fabricant.

NOTE : Le fil utilisé, l'emplacement et l'isolation des épissures, etc., doivent se conformer aux règles de l'art et au code de l'électricité en vigueur localement.

Notes

Notes

Installation Instructions

Built-In Wall Oven

27" (68.6 cm) models
JCK1000, JCK3000, JCK5000
30" (76.2 cm) models
JCT3000, JCT5000, PCT7050

If you have questions, call 1.800.561.3344 or visit our website at:
www.geappliances.ca

Before You Begin

Read these instructions carefully and completely.

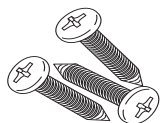
- **IMPORTANT**—Save these instructions for local inspector's use.
- **IMPORTANT**—Observe all governing codes and ordinances.
- **Note to Installer**—Be sure to leave these instructions with the consumer.
- **Note to Consumer**—Keep these instructions for future reference.
- Proper installation is the responsibility of the installer and product failure due to improper installation is NOT covered under warranty.
- **NOTE**—This appliance must be properly grounded.
- **ATTENTION INSTALLER**
All electric wall ovens must be hard wired (direct wired) into an approved junction box. A plug and receptacle is NOT permitted on these products.

Parts Included

Taped to top of unit.
(Appearance will vary.)



Screws for Oven Mounting
(8-18 x .750 flat head Phillips wood screws)

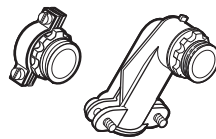


Screws for Bottom Trim Mounting (8-18 x .625 pan head Phillips sheet metal screws)

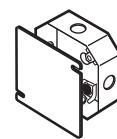


Metal Bottom Trim Assembly

Materials Needed



Strain Relief Clamp for 1/2" conduit

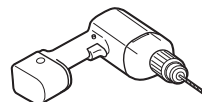


Junction Box



Wire Nuts

Tools Needed



1/8" (3 mm) Drill Bit and Electric or Hand Drill



Phillips Screwdriver

Installation Instructions

IMPORTANT SAFETY INSTRUCTIONS

For Your Safety

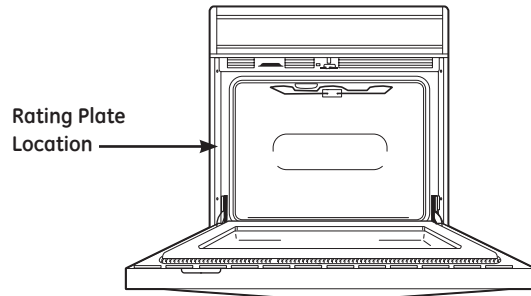
- Be sure your oven is installed properly by a qualified installer or service technician.
- Be sure the oven is securely installed in a cabinet that is firmly attached to the house structure. Weight on the oven door could cause the oven to tip and result in injury. Never allow anyone to climb, sit, stand or hang on the oven door.
- Make sure the cabinets and wall coverings around the oven can withstand the temperatures (up to 93°C [200°F]) generated by the oven.



WARNING: The electrical power to the oven supply line must be shut off while line connections are being made. Failure to do so could result in serious injury or death.

Electrical Requirements (cont.)

Rating Plate is located on oven side trim.



We recommend you have the electrical wiring and hookup of your oven connected by a qualified electrician. After installation, have the electrician show you where your main oven disconnect is located.

Check with your local utilities for electrical codes which apply in your area. Failure to wire your oven according to governing codes could result in a hazardous condition. If there are no local codes, your oven must be wired and fused to meet the requirements of CAN/CSA C22.2 No. O-M91 or latest edition.

You must use a three-wire, single-phase A.C. 208Y/120 Volt or 240/120 Volt, 60 hertz electrical system. If you connect to aluminum wiring, properly installed connectors approved for use with aluminum wiring must be used.

Electrical Requirements

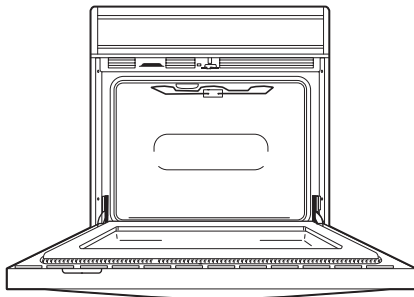
This appliance must be supplied with the proper voltage and frequency, and connected to an individual, properly grounded branch circuit, protected by a circuit breaker or fuse. See the rating plate located on the oven frame to determine the rating of the product. Use the chart below to determine the minimum recommended dedicated circuit protection.

KW Rating 240V	KW Rating 208V	Recommended Circuit Size (Dedicated)
≤4.8 KW	≤4.1 KW	20 Amp
4.9 KW-7.2 KW	4.3 KW-6.2 KW	30 Amp
7.3 KW-9.6 KW	6.3 KW-8.3 KW	40 Amp
9.7 KW-12.0 KW	8.4 KW-10.4 KW	50 Amp

Installation Instructions

✓ Pre-Installation Checklist

- ✓ Remove packaging materials. Check behind hinges. Remove labels on the outside of the door, plastic on trims and panel, all tape around the oven and any shipping screws securing the oven to the base pad. Do not remove internal rating plate labels.



Oven Racks



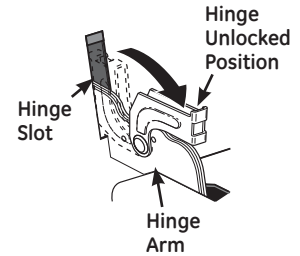
Literature Pack

- ✓ Open oven door and remove literature pack and oven racks.
- ✓ Remove Installation Instructions from literature pack and read them carefully before you begin.
Be sure to place all literature, Owner's Manual, Installations, etc. in a safe place for future reference.



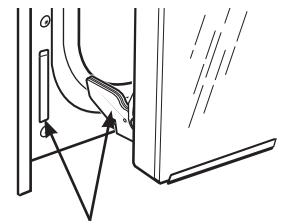
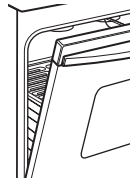
Door removal is not a requirement for installation of the product, but is an added convenience. To remove the door:

- ✓ Open the oven door as far as it will go.
- ✓ Push both hinge locks down toward the door frame, to the unlocked position. This may require a flat blade screwdriver.



DO NOT LIFT THE DOOR BY THE HANDLE!

- ✓ Place hands on both sides of the door, and close the oven door to the removal position, which is most of the way closed.
- ✓ Lift door up and out until the hinge arms clear the slots.



Hinge Clears Slot

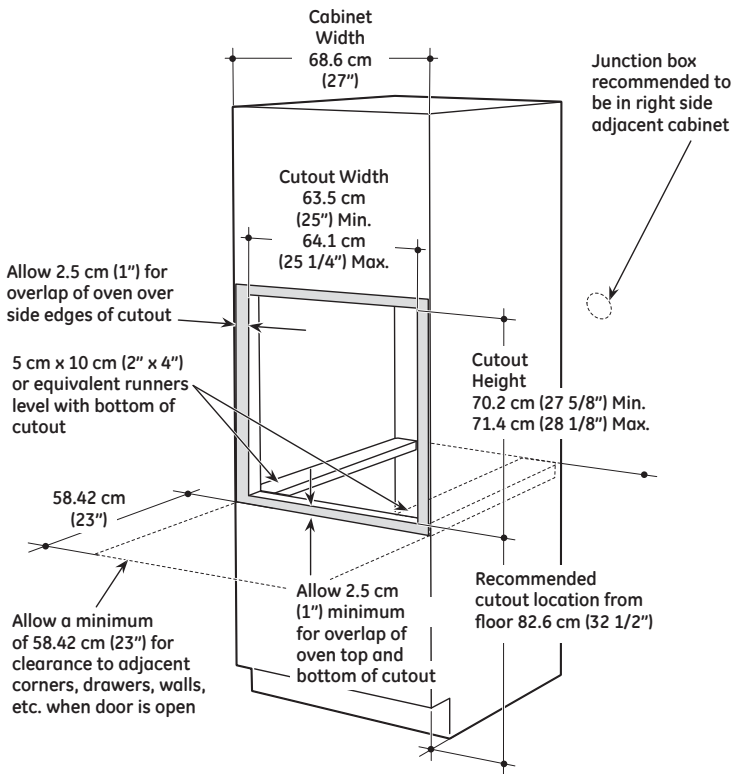
NOTE: The oven door is very heavy. Be sure you have a firm grip before lifting the oven door off the hinges. Use caution once the door is removed. Do not lay the door on its handle. This could cause dents or scratches.

- ✓ Place the oven on a table or platform even with the cutout opening. (Platform must support 68 Kg [150 lbs.])
- ✓ Remove the bottom trim from the top of the oven. It will be installed at the end of the installation process. The trim is wrapped separately and taped to the top of the unit

Installation Instructions

A Cutout for 27" (68.6 cm) Single Built-In Ovens only

For JCK1000, JCK3000, JCK5000, models only.

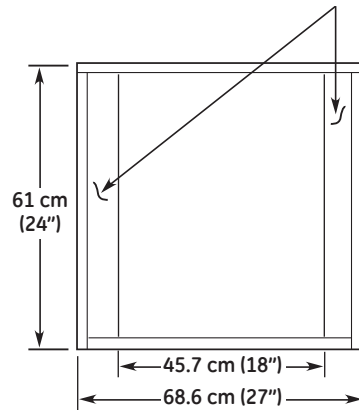


Cabinet Width	68.6 cm (27")
Recommended Cutout Location from Floor	82.6 cm (32 1/2")
Cutout Depth	59.7 cm (23 1/2") Min.
Cutout Width	63.5 cm (25") Min. 64.1 cm (25 1/4") Max.
Cutout Height	70.2 cm (27 5/8") Min. 71.4 cm (28 1/8") Max.

NOTE: If the cabinet does not have a front frame and the sides are less than 1.9 cm (3/4") thick, shim both sides equally to establish the cutout width.

If the cabinet does not have a solid bottom, two braces or runners must be installed level with the bottom of the cutout to support the weight of the oven. For single ovens, the runners and braces must support 68 kg (150 lbs.).

5 cm x 10 cm (2" x 4") or equivalent runners level with bottom of cutout

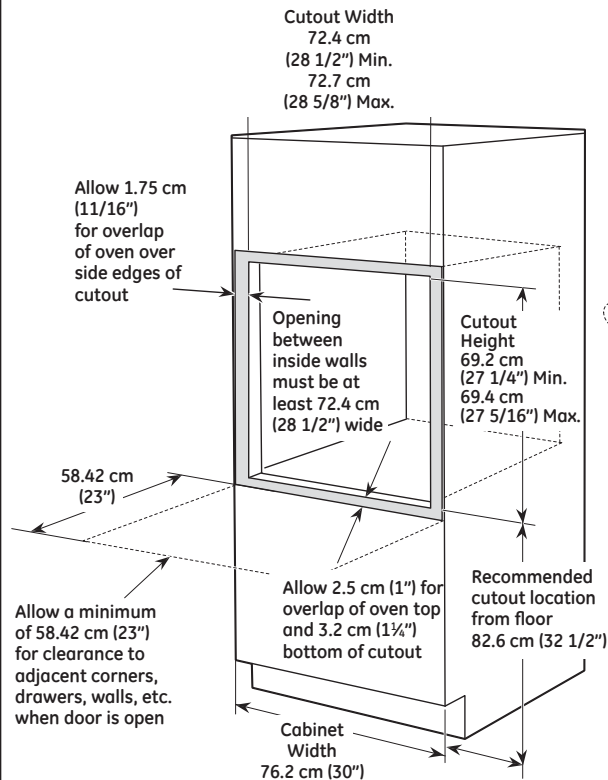


NOTE: If marks, blemishes or the cutout opening are visible above the installed oven, it may be necessary to add wood shims under the runners and front trim until the marks or opening are covered.

These ovens are not approved for stackable installation.

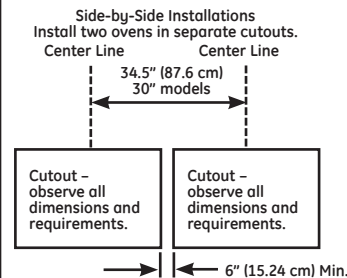
Installation Instructions

A Cutout for 30" (76.2 cm) Single Built-In Ovens only For JCT3000, JCT5000, PCT7050 models only.

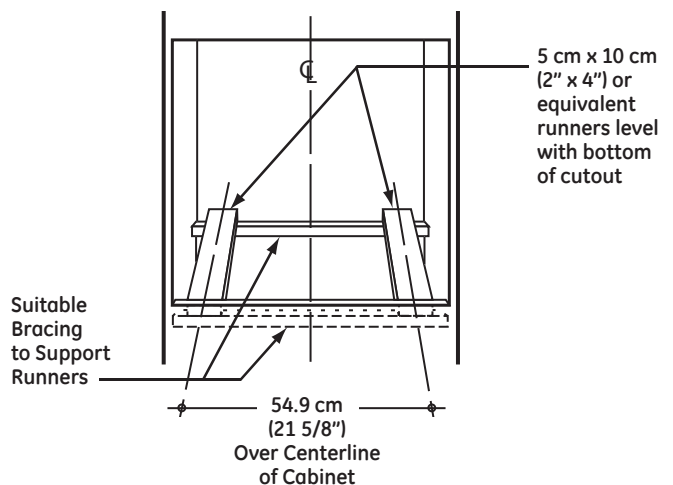


Cabinet Width	76.2 cm (30")
Recommended Cutout Location from Floor	82.6 cm (32 1/2")
Cutout Depth	59.7 cm (23 1/2") Min.
Cutout Width	72.4 cm (28 1/2") Min. 72.7 cm (28 5/8") Max.
Cutout Height	69.2 cm (27 1/4") Min. 69.4 cm (27 5/16") Max.

NOTE: If the cabinet does not have a front frame and the sides are less than 1.9 cm (3/4") thick, shim both sides equally to establish the cutout width.



If the cabinet does not have a solid bottom, two braces or runners must be installed level with the bottom of the cutout to support the weight of the oven. For single ovens, the runners and braces must support 68 kg (150 lbs.).



NOTE: If marks, blemishes or the cutout opening are visible above the installed oven, it may be necessary to add wood shims under the runners and front trim until the marks or opening are covered.

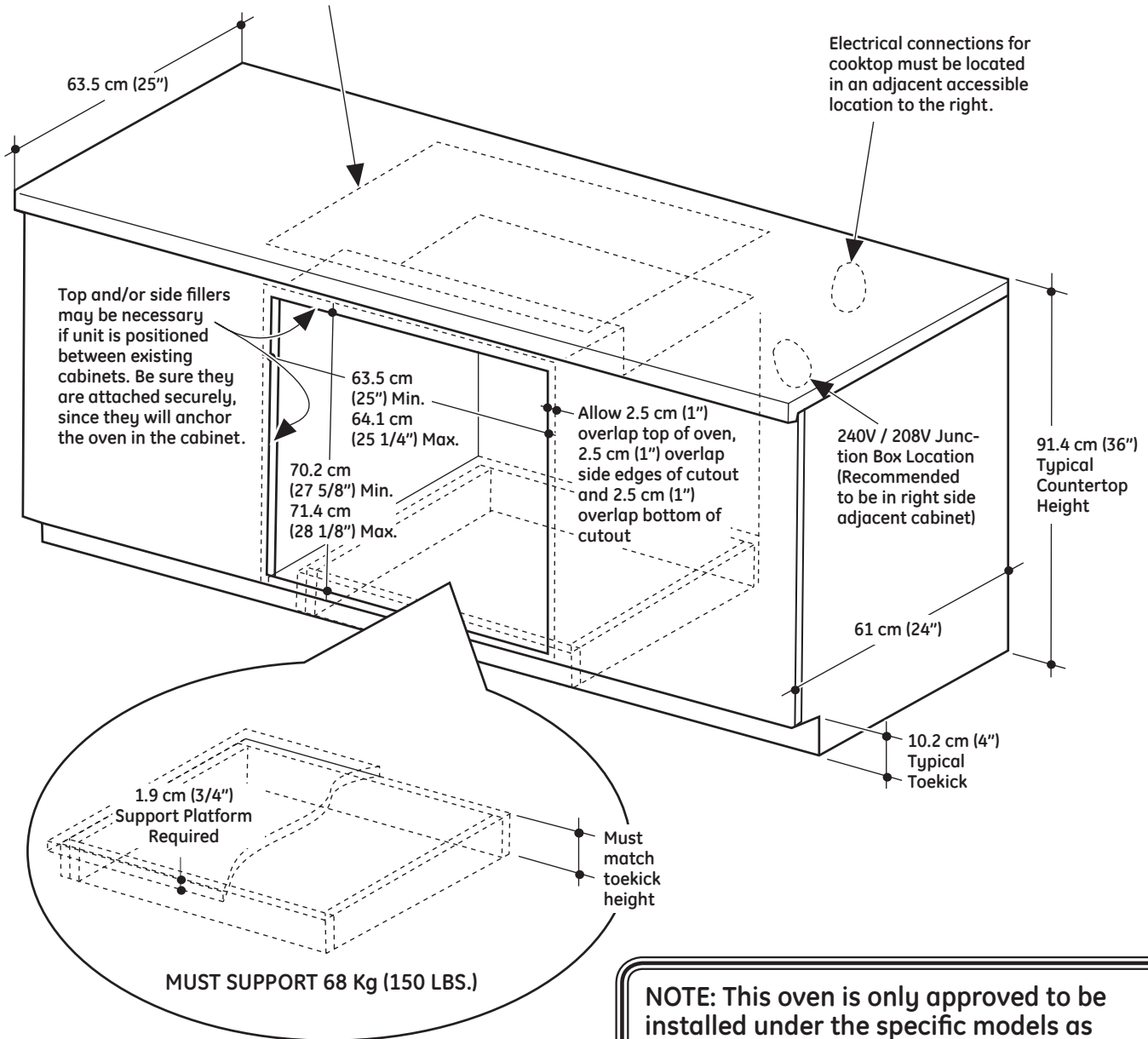
These ovens are not approved for stackable installation.

Installation Instructions

A Cutout for 27" (68.6 cm) Single Built-In Ovens only Under Counter

For JCK1000, JCK3000, JCK5000 models only.

GE Electric cooktops may be installed over this oven. See cooktop installation instructions for cutout size. See label on top of oven for approved cooktop models.

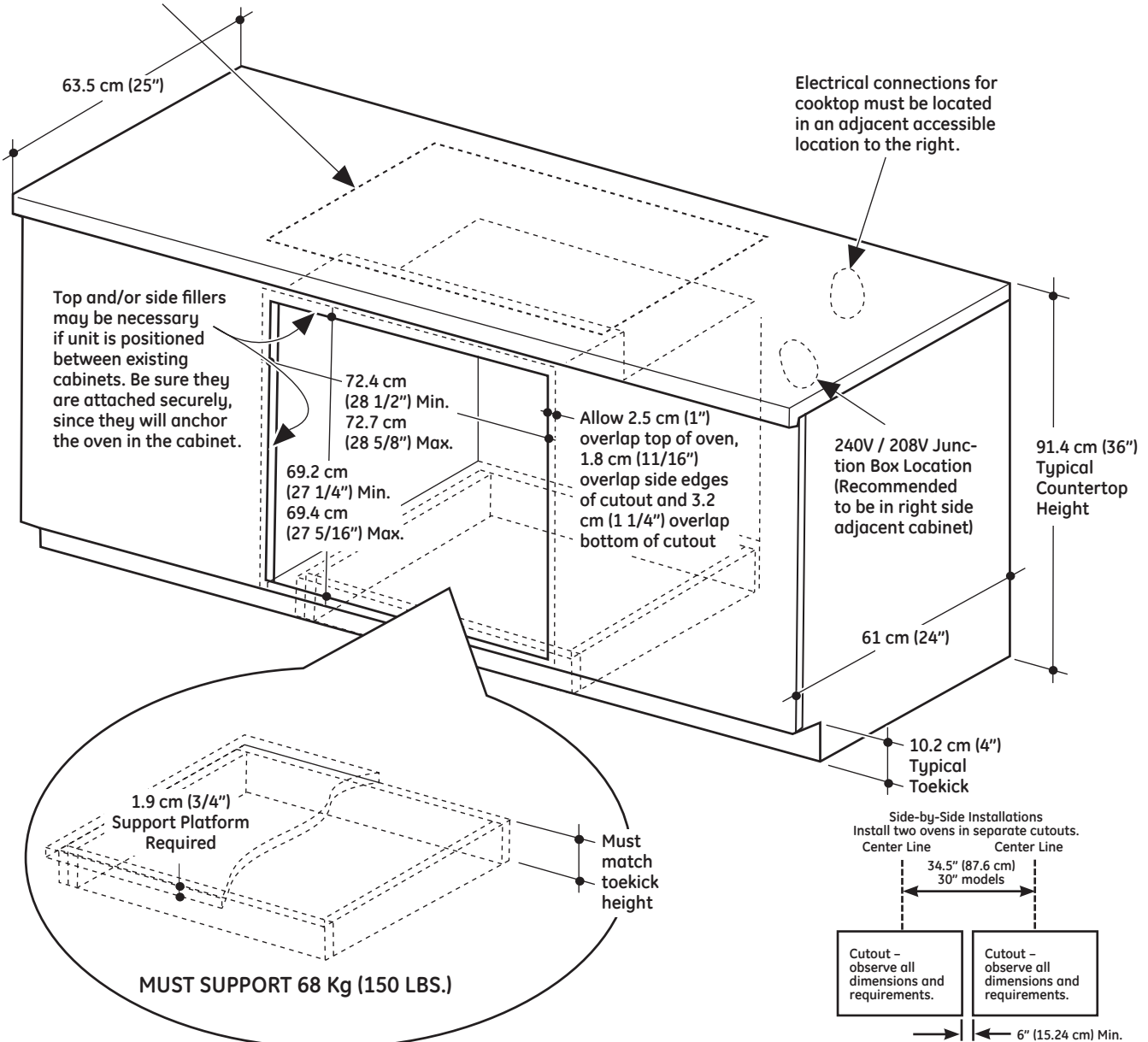


Installation Instructions

A Cutout for 30" (76.2 cm) Single Built-In Ovens only Under Counter

For JCT3000, JCT5000, PCT7050 models only.

GE electric cooktops may be installed over this oven. See cooktop installation instructions for cutout size. See label on top of oven for approved cooktop models.



NOTE: This oven is only approved to be installed under the specific models as labeled on this unit.

Installation Instructions

B Electrical Connections

ATTENTION INSTALLER

All electric wall ovens must be hard wired (direct wired) into an approved junction box. A plug and receptacle is NOT permitted on these products.

DO NOT shorten the flexible conduit. The conduit strain relief clamp must be securely attached to the junction box and the flexible conduit must be securely attached to the clamp. If the flexible conduit will not fit within the clamp, do not install the oven until a clamp of the proper size is obtained.

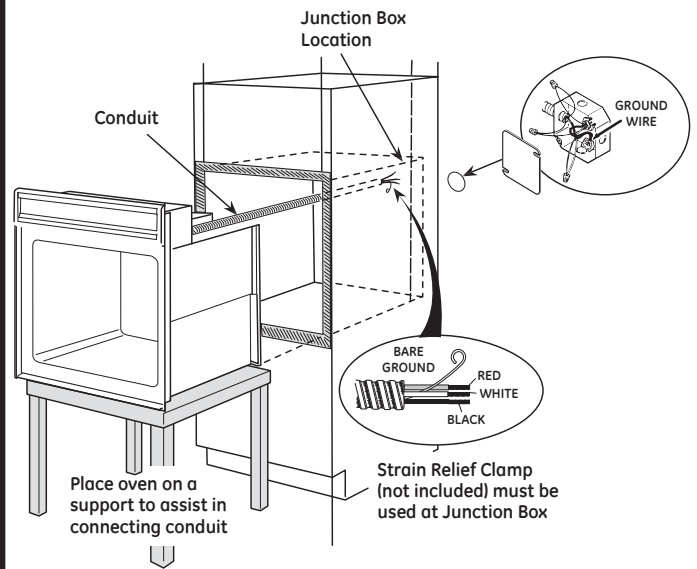
NOTE TO ELECTRICIAN: The 3 power leads supplied with this appliance are CSA recognized for connection to heavier gauge household wiring. The insulation of these 3 leads is rated at temperatures much higher than the temperature rating of household wiring. The current carrying capacity of the conductor is governed by the wire gauge and the temperature rating of the insulation around the wire.



WARNING: Improper connection of aluminum house wiring to copper leads can result in an electrical hazard or fire. Use only connectors designed for joining copper to aluminum and follow the manufacturer's recommended procedure closely.

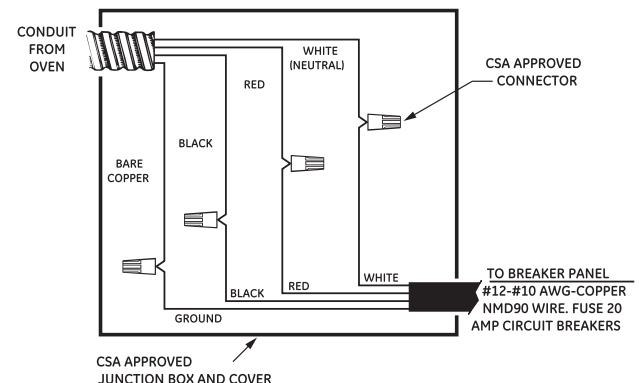
B1 Turn off the circuit breaker or remove fuses to the oven branch circuit.

B2 With the oven supported on a table or platform in front of the cabinet opening, connect the flexible conduit to the electrical junction box as shown below. Position the conduit in such a manner that it will fall on the right back side of the oven in a natural loop when the oven is installed. You will need to purchase an appropriate strain relief clamp to complete the connection of the conduit to the junction box.



B3 This oven is supplied with a 123 cm (48") long flexible conduit consisting of:
3 insulated conductors (copper)
1 bare ground conductor (copper)

B4 Attach conductors to residence wiring as shown by wiring diagram.

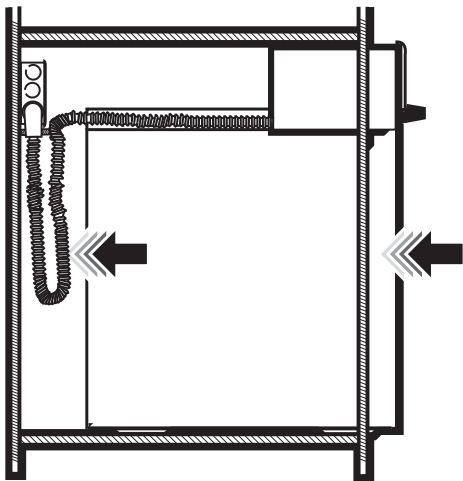


Installation Instructions

C Securing the Oven in the Opening

C1 Sliding the Oven Into the Opening

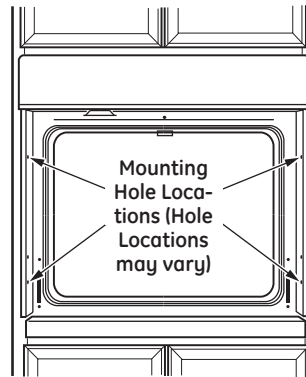
- Lift oven into cabinet cutout using the oven opening as a grip. Carefully push against oven front frame. Do not push against outside edges.



C2 Drilling the Pilot Holes and Mounting the Oven

NOTE: Before drilling the pilot holes, make sure the oven is pushed as far back into the opening as it will go and is centered.

- a. Drill through the mounting holes (top and bottom) of the side trim, for the #8 screws provided.



The screws must be a minimum of 6 mm (1/4") from the front of the cutout.

WARNING: Mounting screws must be used. Failure to do so could result in the oven falling out of the cabinet, causing serious injury.

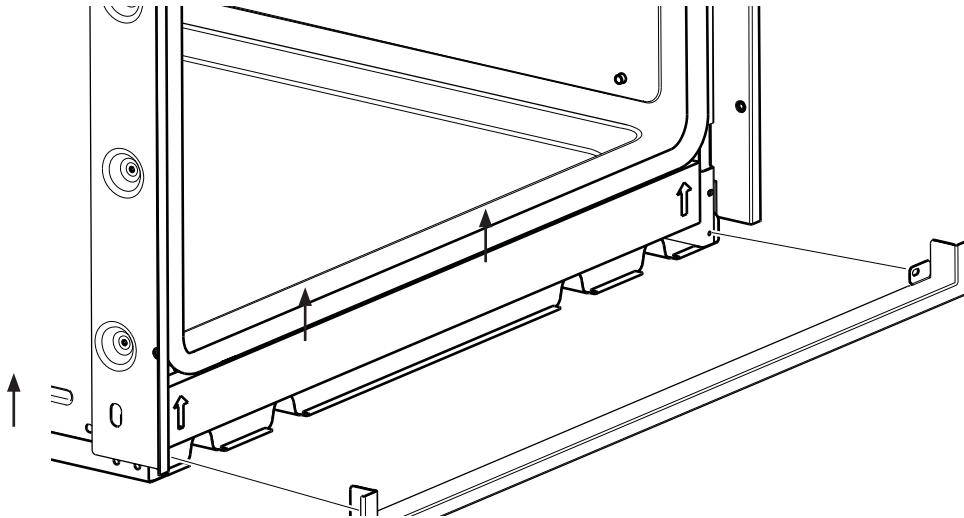
- b. Secure the oven to cabinet with screws provided.

NOTE: If the cabinet is particle board, you must use #8 x 19 mm (3/4") particle board screws. These may be purchased at any hardware store.

Installation Instructions

C3 Bottom Trim Installation

- With oven installed, attach the bottom trim through its mounting holes in front vertical brace using two trim screws provided. Bottom trim lip must be placed under flange or bottom of air duct.



IMPORTANT: If this unit is ever removed from the cabinet or the oven is ever pulled out for service, the bottom trim must be removed first or damage to the trim will occur.

Installation Instructions

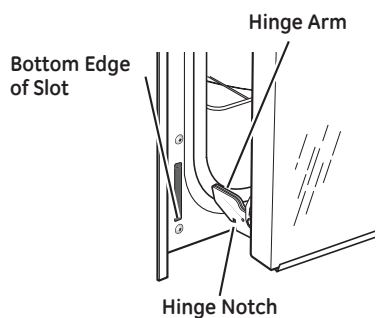
D Replacing the Oven Door

NOTE: The oven door is heavy. You may need help lifting the door high enough to slide it into the hinge slots. Do not lift the door by the handle.

- D1** Lift the oven door by placing one hand on each side. The door is heavy, so you may need help. Do not lift the door by the handle.

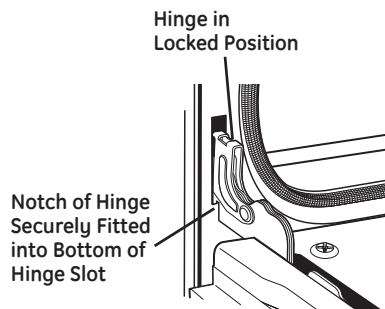


- D2** With the door at the same angle as the removal position, which is most of the way closed, seat the notch of the hinge arm into the bottom edge of the hinge slot. The notch of the hinge arm must be fully seated into the bottom of the slot.



- D3** Open the oven door as far as it will open.

- D4** Push the hinge locks up against the front frame of the oven cavity, to the locked position.



- D5** Close the oven door.

Installation Instructions

Pre-Test Checklist

- Remove all protective film, if present, and any stickers.
- Check to be sure that all wiring is secure and not pinched or in contact with moving parts.
- Check that the bottom trim is installed properly (see page 10).
- Check to be sure the mounting screws are installed and flush with the side trim (see page 9).
- Ensure that air duct at bottom of unit is free of obstructions.

Operation Checklist

- Remove all items from the inside of the oven.
 - Check that conduit is securely connected to the junction box.
 - Turn on the power to the oven. (Refer to your Owner's Manual.) Verify that the bake and broil units, and all cooking functions operate properly.
 - Check that the circuit breaker is not tripped nor the house fuse blown.
 - See your Owner's Manual for troubleshooting list.
- NOTE TO ELECTRICIAN:** The power leads supplied with this appliance are CSA recognized for connections to larger gauge household wiring. The insulation of these leads is rated at temperatures much higher than the temperature rating of household wiring. The current carrying capacity of a conductor is governed by the wire gauge and also the temperature rating of the insulation around the wire.
- NOTE: ALUMINUM WIRING**
- A. **WARNING: IMPROPER CONNECTION OF ALUMINUM HOUSE WIRING TO THE COPPER LEADS CAN RESULT IN AN ELECTRICAL HAZARD OR FIRE.**
- B. Splice copper wires to aluminum wiring using special connectors designed and CSA approved for joining copper to aluminum, and follow the manufacturer's recommended connector procedure closely.
- NOTE:** Wire used, location and enclosure of splices, etc., must conform to good wiring practice and local codes.

Notes

Notes

Directives d'installation

Four mural encastré de

modèles de 27 po (68,6 cm)
JCK1000, JCK3000, JCK5000

modèles de 30 po (76,2 cm)
JCT3000, JCT5000, PCT7050

Si vous avez des questions, composez le 1.800.561.3344 ou visitez notre site web à : www.electromenagersge.ca

Avant de commencer

Lisez complètement et attentivement les directives suivantes.

- **IMPORTANT**—Conservez ces directives pour votre inspecteur local.
- **IMPORTANT**—Respectez tous les codes et les décrets en vigueur.
- Note à l'intention de l'installateur—Assurez-vous de laisser ces directives chez le consommateur.
- Note au consommateur—Conservez ces directives pour consultation ultérieure.

- Il est de la responsabilité de l'installateur de procéder à une installation appropriée. Un dysfonctionnement du produit qui résulterait d'une installation incorrecte ne serait pas couvert par la garantie.

- **NOTE**—Cet appareil doit être mis à la terre adéquatement.

• AVIS IMPORTANT À L'INSTALLATEUR :

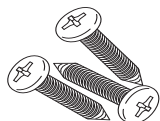
Tous les fours muraux encastrés doivent être raccordés (raccordement direct) dans un boîtier de jonction homologué. Une fiche et une prise de courant ne sont PAS autorisées pour brancher ces produits.

Pièces incluses

Fixé avec du ruban sur le dessus de l'appareil.
(L'aspect des pièces peut varier.)



Vis pour montage du four
(vis à bois à tête fraisée
cruciforme 8-18 x 0,750)



Vis pour montage de
garniture inférieure (vis
mécanique 8-18 x 0,625 à
tête cruciforme)

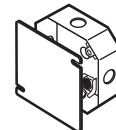
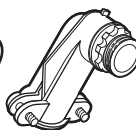


Montage de garniture
inférieure métallique

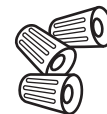
Matériel requis



Bague anti-traction
pour conduit de 1/2 po

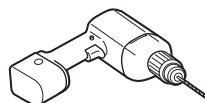


Boîte de
jonction



Serre-fils

Outils requis



Perceuse électrique ou
manuelle et mèche de
3 mm (1/8 po)



Tournevis à pointe
cruciforme

Directives d'installation

CONSIGNES DE SÉCURITÉ IMPORTANTES

Pour votre sécurité

- Assurez-vous que votre four est bien monté par un installateur qualifié ou un technicien de service.
- Assurez-vous que votre four est monté en toute sécurité dans une enceinte qui est bien fixée à la structure de votre maison. Toute pression appliquée sur la porte du four peut faire tomber le four et occasionner des blessures. Ne permettez à personne de grimper, de s'asseoir, de se tenir sur la porte du four ou de s'y suspendre.
- Assurez-vous que les armoires de cuisine et les revêtements de mur autour du four peuvent supporter la température (pouvant atteindre 93 °C [200 °F]) produite par le four.



AVERTISSEMENT : Vous devez couper l'alimentation électrique du four avant de le brancher. Le défaut de se conformer à cette procédure peut entraîner des blessures sévères et même la mort.

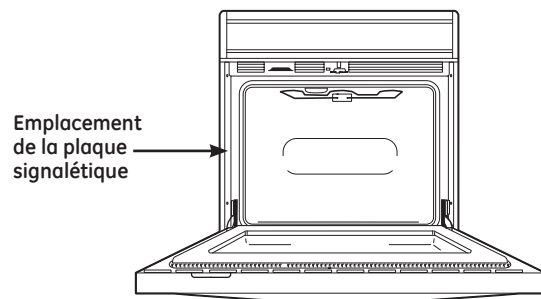
Alimentation

Cet appareil doit être alimenté avec un courant de tension et de fréquence appropriées et connecté à un circuit individuel adéquatement mis à la terre et protégé par un disjoncteur ou un fusible. Veuillez consulter la plaque signalétique située sur le cadre du four afin de déterminer la puissance nominale du produit. Servez-vous du tableau ci-dessous pour déterminer la protection minimale recommandée du circuit dédié.

Puissance nominale en kW 240V	Puissance nominale en kW 208 V	Calibre recommandé pour le circuit (dédié)
≤ 4,8 kW	≤ 4,1 kW	20 ampères
4,9 kW à 7,2 kW	4,3 kW à 6,2 kW	30 ampères
7,3 kW à 9,6 kW	6,3 kW à 8,3 kW	40 ampères
9,7 kW à 12,0 kW	8,4 kW à 10,4 kW	50 ampères

Alimentation (suite)

La plaque signalétique est située sur la garniture latérale du four.



Nous vous recommandons de faire réaliser le câblage électrique et le branchement de votre four par un électricien qualifié. Après le montage, demandez à l'électricien de vous montrer l'emplacement de l'interrupteur d'isolement de votre four.

Vérifiez, auprès de votre compagnie d'électricité, le code de l'électricité régissant les installations électriques dans votre

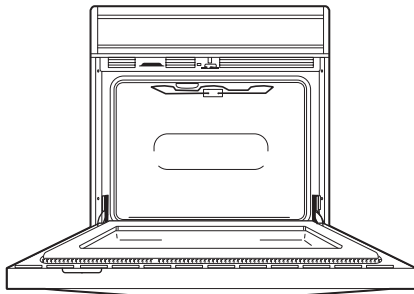
région. Si vous ne branchez pas votre four conformément au code en vigueur, vous vous exposez à une situation dangereuse. En l'absence d'un code de l'électricité local, votre four doit être muni d'un branchement et de fusibles qui répondent à la norme CAN/CSA C22.2 No. O-M91, ou la dernière édition.

Vous devez utiliser un circuit électrique présentant les caractéristiques suivantes : courant monophasé (c.a.), trifilaire, 208Y/120 volts ou 240/120 volts, 60 hertz. Si vous vous branchez à du câblage en aluminium, vous devez utiliser des connecteurs correctement montés et approuvés pour ce type de câblage.

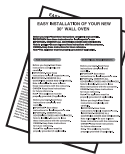
Directives d'installation

✓ Liste de vérification avant montage

- ✓ Enlevez tous les matériaux d'emballage. Vérifiez l'arrière des charnières. Enlevez les étiquettes sur la face extérieure de la porte, la matière plastique sur les garnitures et le panneau ainsi que le ruban collé autour du four. Enlevez aussi les vis d'expédition qui fixent le four sur sa base. Ne retirez pas les plaques signalétiques à l'intérieur.



Grilles du four



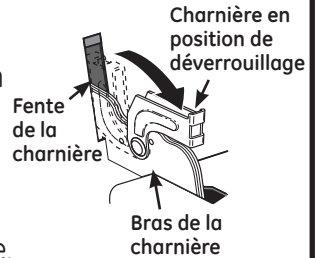
Pochette à documentation

- ✓ Ouvrez la porte du four et enlevez la documentation ainsi que les grilles.
- ✓ Retirez les directives d'installation de la pochette à documentation et lisez-les attentivement avant de commencer. Assurez-vous de ranger la documentation dans un endroit sûr pour consultation ultérieure.



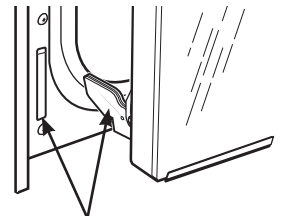
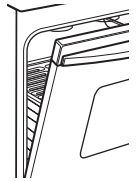
Il est possible d'enlever la porte du four pour faciliter l'installation, bien que cela ne soit pas obligatoire. Pour enlever la porte :

- ✓ Ouvrez la porte jusqu'à son angle maximum.
- ✓ Amenez les deux charnières en position de déverrouillage en les abaissant vers le châssis de la porte. S'il le faut, utilisez un tournevis à lame plate.



NE SOULEVEZ PAS LA PORTE PAR SA POIGNÉE!

- ✓ Placez vos mains de chaque côté de la porte et refermez la porte du four jusqu'à la position d'enlèvement, qui correspond à peu près à la position fermée.
- ✓ Soulevez la porte en tirant vers l'extérieur jusqu'à ce que les bras des charnières sortent des fentes.



Charnière sortie de la fente

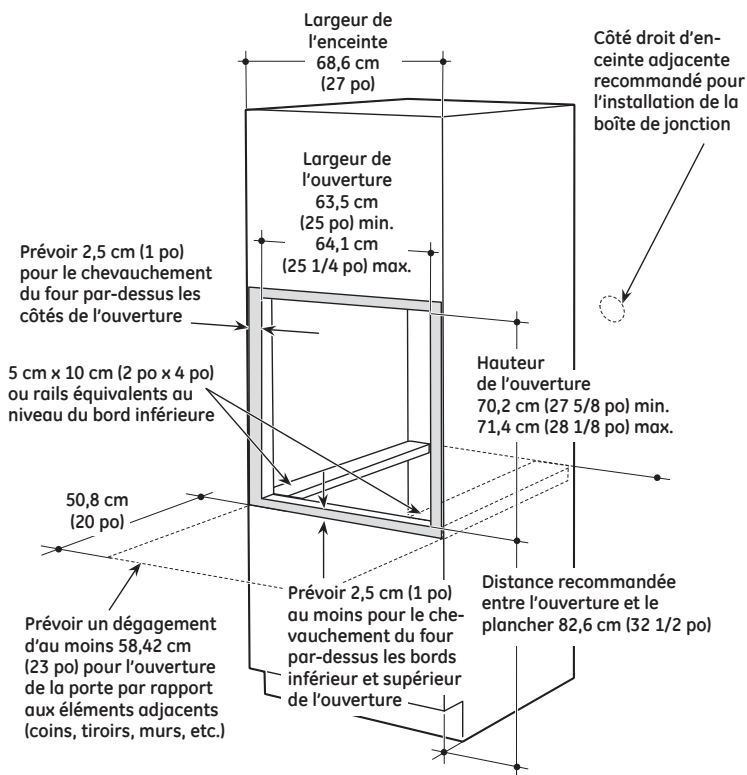
NOTE : La porte du four est très lourde. Assurez-vous de bien la tenir avant de la soulever pour la séparer des charnières. Soyez vigilant une fois la porte enlevée. Ne laissez jamais la porte reposer sur sa poignée. Cela pourrait la rayer ou la bosseler.

- ✓ Placez le four sur une table ou une plateforme de niveau avec l'ouverture qui a été pratiquée pour recevoir le four (la plateforme doit pouvoir supporter 68 kg [150 livres] dans le cas d'un four simple).
- ✓ Enlevez la garniture inférieure fixée temporairement dans le haut du four. Elle sera posée à la fin du montage. La garniture est emballée séparément et fixée dans le haut du four par du ruban adhésif.

Directives d'installation

A Ouverture pour fours encastrés simples 27 po (68,6 cm) seulement

Pour les modèles JCK1000, JCK3000, JCK5000 seulement.

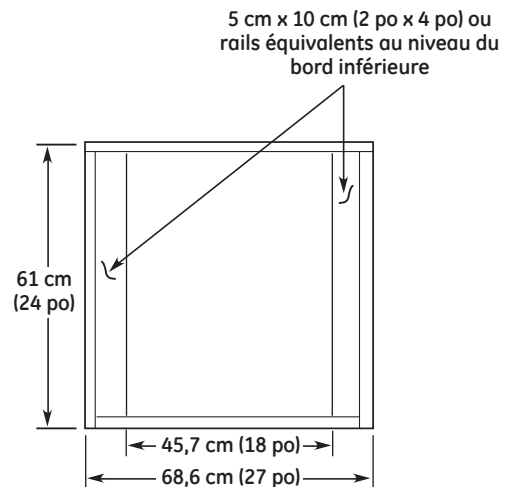


Largueur de l'enceinte	68,6 cm (27 po)
Distance recommandée entre l'ouverture et le plancher	82,6 cm (32 1/2 po)
Profondeur de l'ouverture	59,7 cm (23 1/2 po) min.
Largueur de l'ouverture	63,5 cm (25 po) min. 64,1 cm (25 1/4 po) max.
Hauteur de l'ouverture	70,2 cm (27 5/8 po) min. 71,4 cm (28 1/8 po) max.

NOTE : Si l'enceinte n'est pas dotée d'un panneau frontal et si l'épaisseur des côtés fait moins de 1,9 cm (3/4 po), placez des cales d'égale épaisseur de chaque côté pour déterminer la largeur de l'ouverture.

Si l'enceinte n'est pas munie d'un fond solide, deux entretoises ou rails doivent être posés au niveau du bord inférieur de l'ouverture pour soutenir le poids du four. Ces entretoises ou rails doivent supporter 68 kg (150 livres) dans le cas d'un four simple.

NOTE : Si la trace de l'ouverture, des marques ou des imperfections sont visibles au-dessus du four, il peut être nécessaire d'ajouter des cales de bois sous les rails et la garniture frontale jusqu'à ce que les défauts ou la trace de l'ouverture soient cachés.

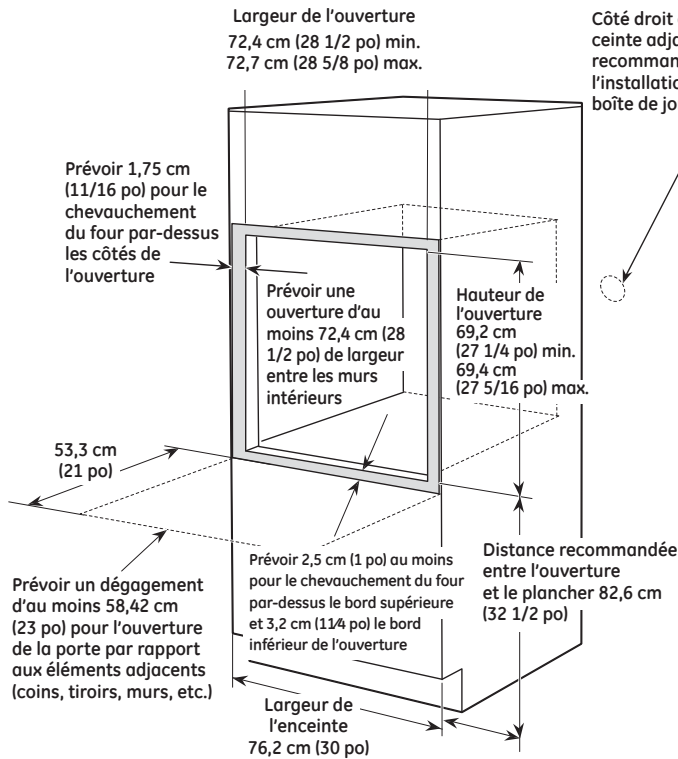


Ces fours ne sont pas approuvés pour un montage superposé.

Directives d'installation

A Ouverture pour fours encastrés simples 30 po (76,2 cm) seulement

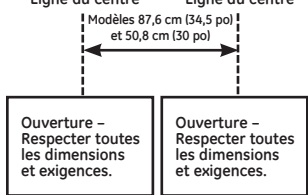
Pour les modèles JCT3000, JCT5000, PCT7050 seulement.



Largeur de l'enceinte	76,2 cm (30 po)
Distance recommandée entre l'ouverture et le plancher	82,6 cm (32 1/2 po)
Profondeur de l'ouverture	59,7 cm (23 1/2 po) min.
Largeur de l'ouverture	72,4 cm (28 1/2 po) min. 72,7 cm (28 5/8 po) max.
Hauteur de l'ouverture	69,2 cm (27 1/4 po) min. 69,4 cm (27 5/16 po) max.

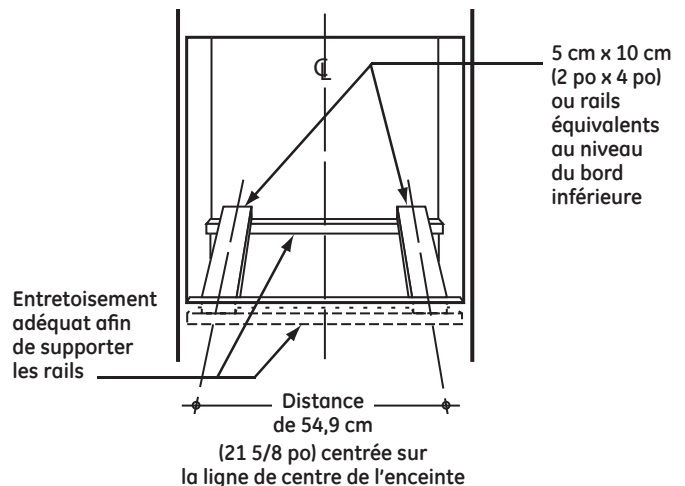
NOTE : Si l'enceinte n'est pas dotée d'un panneau frontal et si l'épaisseur des côtés fait moins de 1,9 cm (3/4 po), placez des cales d'égale épaisseur de chaque côté pour déterminer la largeur de l'ouverture.

Installations côte-à-côte
Installez deux fours dans des enceintes distinctes.



Si l'enceinte n'est pas munie d'un fond solide, deux entretoises ou rails doivent être posés au niveau du bord inférieur de l'ouverture pour soutenir le poids du four. Ces entretoises ou rails doivent supporter 68 kg (150 livres) dans le cas d'un four simple.

NOTE : Si la trace de l'ouverture, des marques ou des imperfections sont visibles au-dessus du four, il peut être nécessaire d'ajouter des cales de bois sous les rails et la garniture frontale jusqu'à ce que les défauts ou la trace de l'ouverture soient cachés.



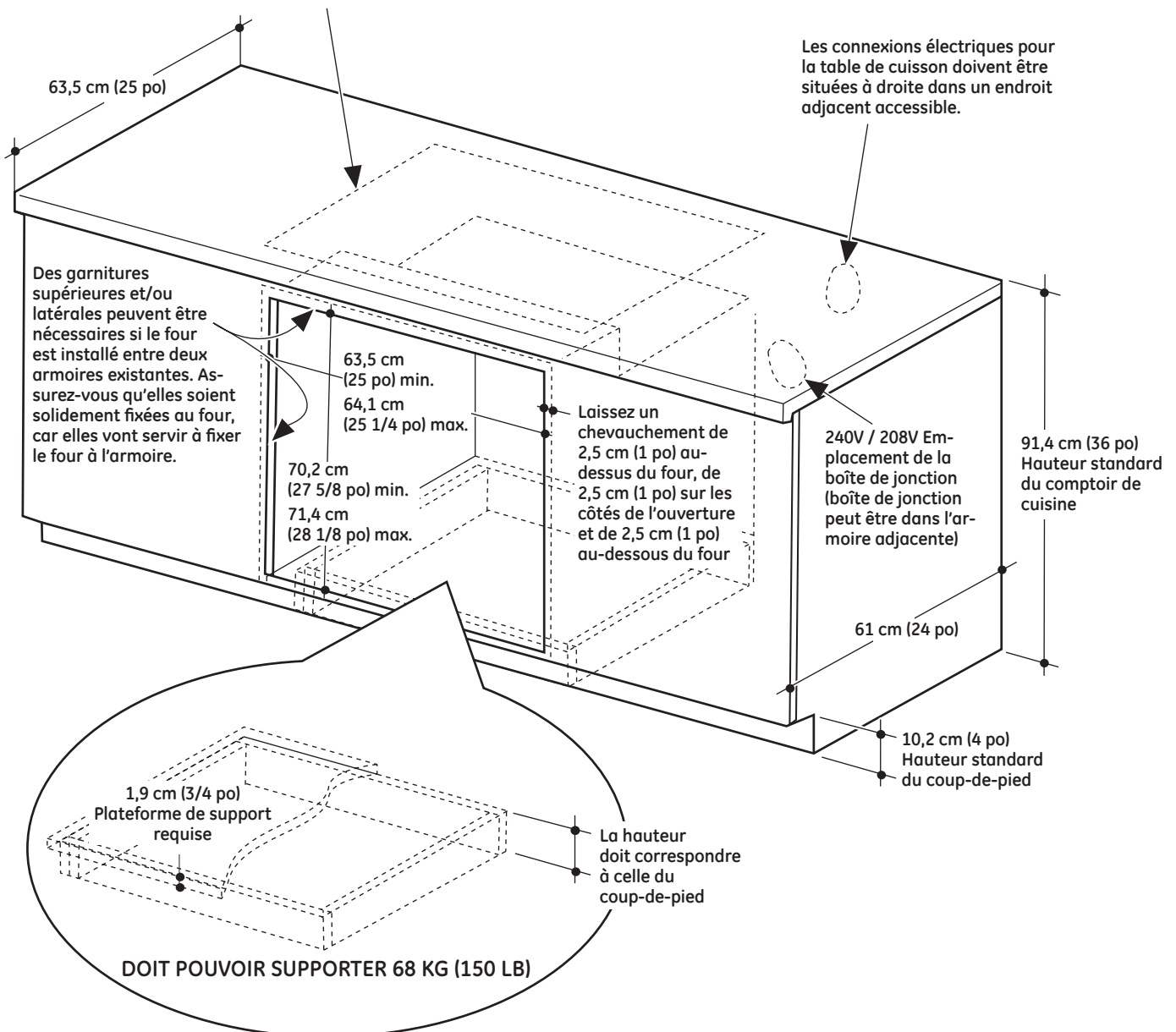
Ces fours ne sont pas approuvés pour un montage superposé.

Directives d'installation

A Ouverture pour four encastré simple installé au dessous d'un comptoir 27 po (68,6 cm)

Pour les modèles JCK1000, JCK3000, JCK5000 seulement.

Les tables de cuisson GE Electric peuvent être installées sur ce four. Voir les instructions d'installation de la table de cuisson pour connaître la taille de l'ouverture. Voir l'étiquette sur le dessus du four pour connaître les modèles de table de cuisson approuvés.

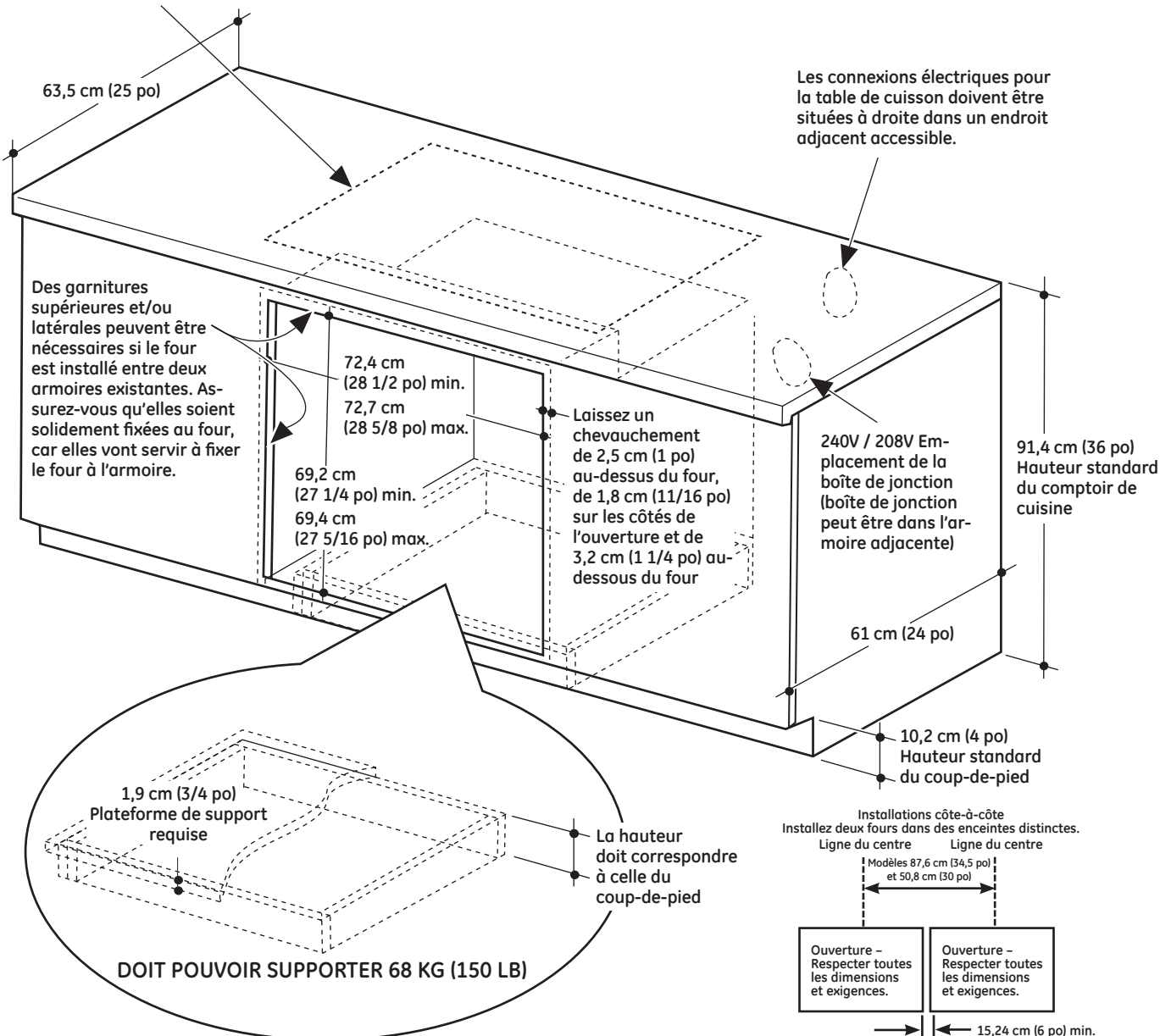


Directives d'installation

A Ouverture pour four encastré simple installé au dessous d'un comptoir 30 po (76,2 cm)

Pour les modèles JCT3000, JCT5000, PCT7050 seulement.

Les tables de cuisson GE Electric peuvent être installées sur ce four. Voir les instructions d'installation de la table de cuisson pour connaître la taille de l'ouverture. Voir l'étiquette sur le dessus du four pour connaître les modèles de table de cuisson approuvés.



NOTE : Ce four est approuvé uniquement pour une installation sous les modèles particuliers mentionnés sur l'étiquette apposée sur cet appareil.

Directives d'installation

B Raccordement électrique

AVIS IMPORTANT À L'INSTALLATEUR :

Tous les fours muraux encastrés doivent être raccordés (raccordement direct) dans une boîte de jonction approuvée. Une fiche et une prise de courant ne sont PAS autorisées pour brancher ce produit.

NE PAS raccourcir le conduit flexible. La bague anti-traction du conduit doit être fixée fermement à la boîte de jonction et le conduit flexible doit être fixé fermement à la bague. Si le conduit flexible n'est pas ajusté à la bague, procurez-vous une bague dont la taille est appropriée avant d'installer le four.

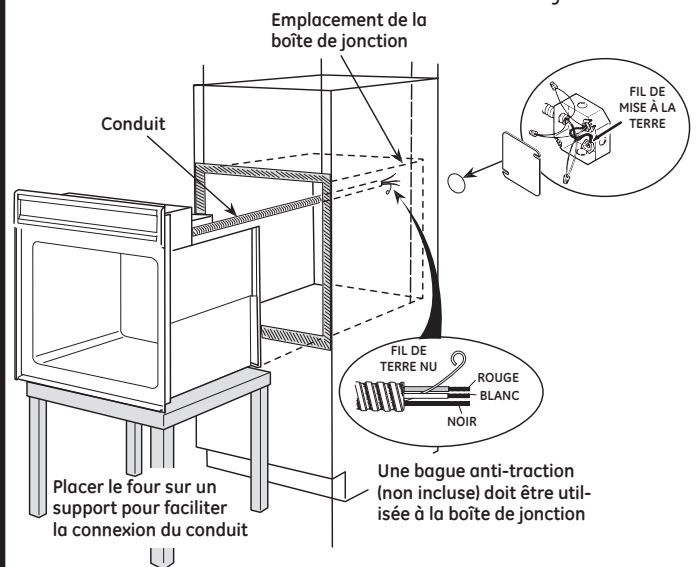
AVIS L'ÉLECTRICIEN : Les 3 fils électriques de sortie fournis avec cet appareil sont approuvés par la CSA pour un branchement à du câblage résidentiel de calibre (Gauge) supérieur. Les températures nominales de l'isolant de ces 3 fils sont beaucoup plus élevées que celles du câblage résidentiel. La capacité de transport du courant supportée par un conducteur est déterminée par le calibre du fil et la température nominale de l'isolant autour du fil.



AVERTISSEMENT : Le raccordement inadéquat d'un câblage résidentiel en aluminium à des fils de sortie en cuivre peut entraîner un risque électrique ou d'incendie. Utilisez uniquement des connecteurs conçus pour raccorder du cuivre à l'aluminium et respectez minutieusement la procédure recommandée par le fabricant.

B1 Mettez le disjoncteur hors circuit ou enlevez les fusibles du circuit terminal du four.

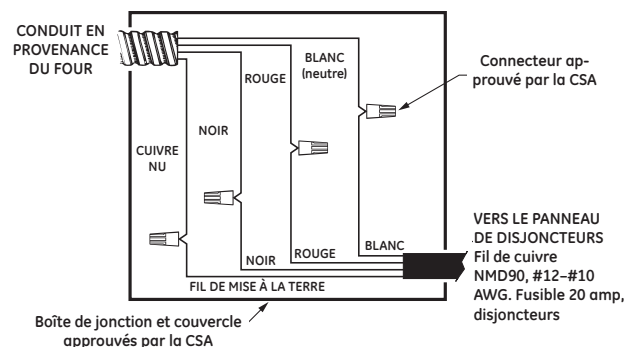
B2 Le four reposant sur une table ou une plateforme en face de l'ouverture de l'enceinte, connectez le conduit flexible à la boîte de jonction, tel qu'illustré ci-dessous. Positionnez le conduit de manière à ce qu'il tombe naturellement en boucle à l'arrière du côté droit du four lorsque ce dernier est installé. Vous devez vous procurer une bague anti-traction appropriée pour terminer la connexion du conduit à la boîte de jonction.



B3 Ce four est doté d'un conduit flexible de 123 cm (48 po) comportant :

- 3 conducteurs isolés (en cuivre)
- 1 conducteur de mise à la terre dénudé (en cuivre)

B4 Raccordez les conducteurs au câblage de la maison, tel qu'illustré dans le schéma de câblage.

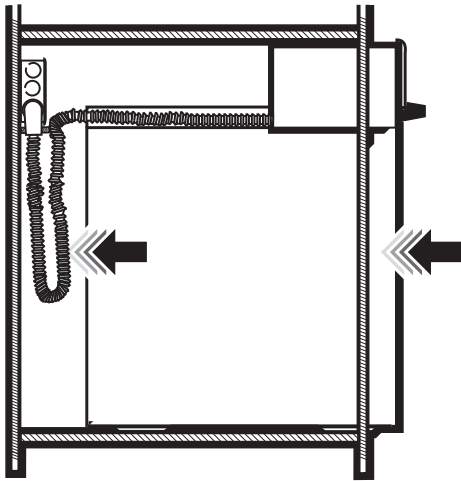


Directives d'installation

C Fixation du four dans l'ouverture

C1 Mise en place du four dans l'ouverture

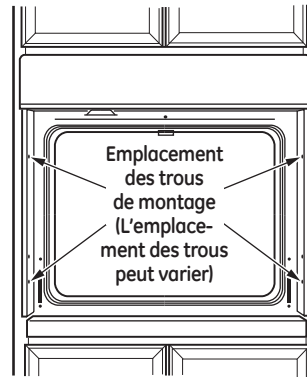
- Agrippez le four par l'intérieur de son orifice pour le soulever fermement jusqu'à dans l'ouverture de l'enceinte. Poussez avec précaution sur le devant du châssis du four. Ne poussez pas sur les bords extérieurs.



C2 Perçage des trous de guidage et montage du four

NOTE: Avant de percer les trous de guidage, assurez-vous de pousser le four jusqu'à l'endroit où il doit aller et de le centrer adéquatement.

- a. Percez à travers les trous de montage (haut et bas) de la garniture latérale, pour recevoir les vis #8 fournies.



Les vis doivent être à une distance d'au moins 6 mm (1/4 po) du devant de l'ouverture.



AVERTISSEMENT : Des vis de montage doivent être utilisées. Le défaut de se conformer à cette directive peut occasionner la chute de four et, par voie de conséquence, des blessures sévères.

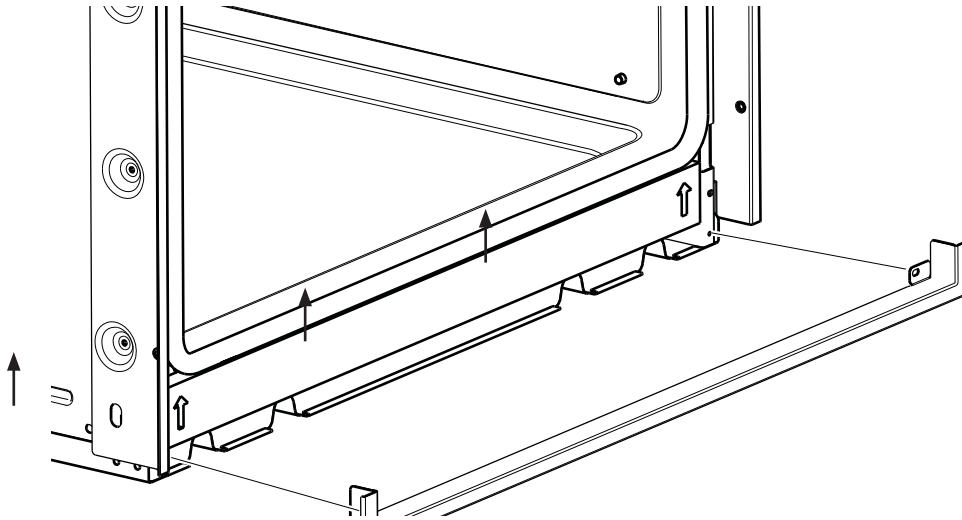
- b. Fixez le four à l'enceinte à l'aide des vis fournies.

NOTE: Si l'enceinte est en panneaux de particules, vous devez utiliser des vis z#8 x 19 mm (3/4 po) conçues pour ce matériau. On peut s'en procurer dans n'importe quelle quincaillerie.

Directives d'installation

C3 Installation de la garniture inférieure

- Lorsque le four est installé, insérez la garniture inférieure dans ses trous de montage à l'avant de l'entretoise en utilisant les deux vis pour garniture fournies. Le rebord de la garniture inférieure doit être placée sous la collerette ou au bas du conduit d'air.



IMPORTANT : La garniture risque d'être endommagée si elle n'est pas enlevée en premier lorsque l'appareil est retiré de l'enceinte pour une réparation ou une autre raison.

Directives d'installation

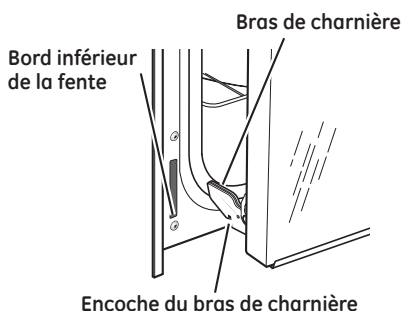
D Remise en place de la porte du four

NOTE : La porte du four est lourde. Il se peut que vous ayez besoin d'aide pour la soulever assez haut pour la glisser dans ses charnières. Ne soulevez pas la porte par la poignée.

- D1** Pour soulever la porte du four, saisissez-la de chaque côté. La porte est lourde de sorte que vous pourriez avoir besoin d'aide. Ne soulevez pas la porte par la poignée.

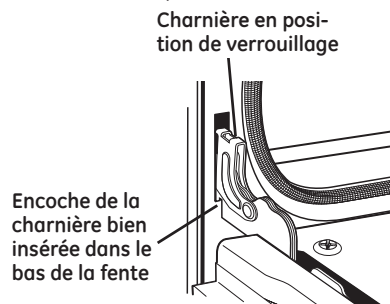


- D2** En maintenant la porte à la position d'enlèvement, qui correspond à peu près à la position fermée, placez l'encoche du bras de charnière dans le bord inférieur de la fente de la charnière. L'encoche doit être bien insérée dans le bas de la fente.



- D3** Ouvrez la porte du four jusqu'à son angle maximum.






- D4** Placez les verrous de la charnière en position de verrouillage en poussant vers le haut contre le panneau frontal du four.








- D5** Fermez la porte du four.


Directives d'installation

Liste de vérification avant l'essai

-  S'il y a lieu, enlevez la pellicule protectrice et les étiquettes collées sur le four.
-  Vérifiez que tout le câblage est bien fixé et qu'il n'est pas coincé ou en contact avec des pièces en mouvement.
-  Vérifiez que la garniture inférieure est bien montée (voir la page 10).
-  Vérifiez que les vis de montage sont bien en place et ne dépassent pas la surface de la garniture latérale (voir la page 9).
-  Assurez-vous que le bas du conduit d'air de l'appareil est libre de toutes obstructions.

Liste de vérification pour l'essai

-  Enlevez tous les articles à l'intérieur du four.
-  Vérifiez que le conduit est bien connecté à la boîte de jonction.
-  Mettez le four en marche (consultez votre Manuel d'utilisation et d'entretien). Vérifiez que toutes les opérations de cuisson fonctionnent adéquatement, y compris les modes Cuisson (Bake) et Gril (Broil).
-  Vérifiez que le disjoncteur n'est pas déclenché ou le fusible de la maison grillé.
-  Consultez le guide de dépannage de votre Manuel d'utilisation et d'entretien.

 **NOTE À L'USAGE DE L'ÉLECTRICIEN :** Les fils électriques de sortie fournis avec cet appareil sont approuvés CSA pour un branchement à du câblage résidentiel de calibre supérieur. Les températures nominales de l'isolant de ces fils sont beaucoup plus élevées que celles du câblage résidentiel. La capacité de transport du courant supportée par un conducteur est déterminée par le calibre du fil et la température nominale de l'isolant autour du fil.

NOTE : CÂBLAGE D'ALUMINIUM

A. AVERTISSEMENT :
LE RACCORDEMENT INAPPROPRIÉ D'UN CÂBLAGE RÉSIDENTIEL EN ALUMINIUM À DES FILS DE SORTIE EN CUIVRE PEUT ENTRAÎNER UN RISQUE ÉLECTRIQUE OU D'INCENDIE.

B. Raccordez les fils de cuivre au câblage d'aluminium à l'aide de connecteurs spéciaux approuvés CSA, conçus pour raccorder du cuivre à l'aluminium, et suivez minutieusement la procédure recommandée par le fabricant.

NOTE : Le fil utilisé, l'emplacement et l'isolation des épissures, etc., doivent se conformer aux règles de l'art et au code de l'électricité en vigueur localement.

Notes

Notes
