



# Electric Built-In Cooktop

*Safety Information* . . . . . 2-4

*Operating Instructions* . . . . . 5

*Care and Cleaning*

Control Knobs . . . . . 6

Drip Pans . . . . . 8

Glass Control Panel . . . . . 6

Lift-Up Cooktop . . . . . 8

Metal Parts . . . . . 8

Packaging Tape . . . . . 6

Porcelain Enamel Cooktop . . 7

Stainless Steel Cooktop . . . . 7

Surface Units . . . . . 8

*Installation Instructions*

Electrical Connections . . . . . 11

Electrical Requirements . . . . 10

Installation of the Cooktop . . 11

Location . . . . . 10

Tools You Will Need . . . . . 9

*Troubleshooting Tips* . . . . . 12

*Consumer Support*

Consumer Support . . . . . 14

Warranty . . . . . 13

**Owner's Manual &  
Installation Instructions**

JP328  
JP626

**Write the model and serial numbers here:**

**Model #** \_\_\_\_\_

**Serial #** \_\_\_\_\_

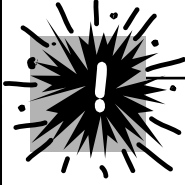
You can find them on a label under the cooktop.



## IMPORTANT SAFETY INFORMATION. READ ALL INSTRUCTIONS BEFORE USING.

### **⚠ WARNING!**

For your safety, the information in this manual must be followed to minimize the risk of fire or explosion, electric shock, or to prevent property damage, personal injury, or loss of life.



### SAFETY PRECAUTIONS

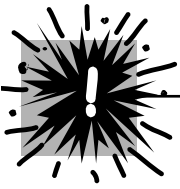
When using electrical appliances, basic safety precautions should be followed, including the following:

- Use this appliance only for its intended use as described in this manual.
  - Do not attempt to repair or replace any part of your cooktop unless it is specifically recommended in this manual. All other servicing should be referred to a qualified technician.
  - Before performing any service, disconnect the cooktop power supply at the household distribution panel by removing the fuse or switching off the circuit breaker.
  - Be sure your appliance is properly installed and grounded by a qualified technician in accordance with the provided installation instructions.
  - Have the installer show you the location of the circuit breaker or fuse. Mark it for easy reference.
  - Do not leave children alone—children should not be left alone or unattended in an area where an appliance is in use. They should never be allowed to sit or stand on any part of the appliance.
  - Teach children not to play with the controls or any other part of the cooktop.
  - Do not allow anyone to climb, stand or hang on the cooktop.
- **CAUTION:** Items of interest to children should not be stored in cabinets above a cooktop—children climbing on the cooktop to reach items could be seriously injured.
  - Always keep combustible wall covering, curtains or drapes a safe distance from your cooktop.
  - Always keep dish towels, dish cloths, pot holders and other linens a safe distance away from your cooktop.
  - Always keep wooden and plastic utensils and canned food a safe distance away from your cooktop.
  - Never wear loose-fitting or hanging garments while using the appliance. Flammable material could be ignited if brought in contact with hot surface units and may cause severe burns.
  - Use only dry pot holders—moist or damp pot holders on hot surfaces may result in burns from steam. Do not let pot holders touch hot surface units. Do not use a towel or other bulky cloth. Such cloths can catch fire on a hot surface unit.



### COOK MEAT AND POULTRY THOROUGHLY...

Cook meat and poultry thoroughly—meat to at least an INTERNAL temperature of 160°F. and poultry to at least an INTERNAL temperature of 180°F. Cooking to these temperatures usually protects against foodborne illness.



## **⚠ WARNING!** SAFETY PRECAUTIONS

- For your safety, never use your appliance for warming or heating the room.
- Do not use water on grease fires. Never pick up a flaming pan. Turn the controls off. Smother a flaming pan on a surface unit by covering the pan completely with well fitting lid, cookie sheet or flat tray. Use a multi-purpose dry chemical or foam-type extinguisher.
- Flaming grease outside a pan can be put out by covering with baking soda or, if available, by using a multi-purpose dry chemical or foam-type fire extinguisher.
- When preparing flaming foods under the hood, turn the fan on.
- Do not let cooking grease or other flammable materials accumulate on the cooktop.
- Do not touch surface units. These surfaces may be hot enough to burn even though they are dark in color. During and after use, do not touch, or let clothing or other flammable materials contact the surface units or areas nearby the surface units; allow sufficient time for cooling first.  
  
Potentially hot surfaces include the cooktop and areas facing the cooktop.
- To minimize the possibility of burns, ignition of flammable materials and spillage, the handle of a container should be turned toward the center of the cooktop without extending over any nearby surface units.
- Always turn the surface unit control to off before removing the cookware.
- To avoid the possibility of a burn or electric shock, always be certain that the controls for all surface units are at off position and all coils are cool before attempting to lift or remove the unit.
- Do not immerse or soak removable surface units. Do not put them in a dishwasher.
- Use proper pan size—Select cookware having flat bottoms large enough to cover the surface unit heating element. The use of undersized cookware will expose a portion of the surface unit to direct contact and may result in ignition of clothing. Proper relationship of cookware to burner will also improve efficiency.
- Never leave surface units unattended at high heat settings. Boilovers cause smoking and greasy spillovers that may catch on fire.
- Be sure the drip pans are not covered and are in place. Their absence during cooking could damage cooktop parts and wiring.
- Do not use aluminum foil to line the drip pans. Misuse could result in a shock, fire hazard or damage to the cooktop.

## **IMPORTANT SAFETY INFORMATION. READ ALL INSTRUCTIONS BEFORE USING.**



### **⚠ WARNING!** **SAFETY PRECAUTIONS**

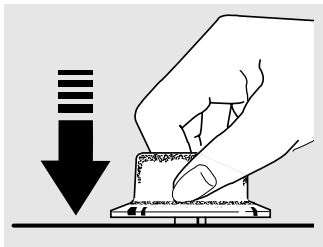
- Only certain types of glass, glass/ceramic, earthenware or other glazed containers are suitable for cooktop cooking; others may break because of the sudden change in temperature.
- Never clean the cooktop surface when it is hot. Some cleaners produce noxious fumes and wet cloths could cause steam burns if used on a hot surface.
- Keep an eye on foods being fried at high or medium high heat settings.
- Foods for frying should be as dry as possible. Frost on frozen foods or moisture on fresh foods can cause hot fat to bubble up and over the sides of the pan.
- Use little fat for effective shallow or deep-fat frying. Filling the pan too full of fat can cause spillovers when food is added.
- If a combination of oils or fats will be used in frying, stir together before heating, or as fats melt slowly.
- Always heat fat slowly, and watch as it heats.
- Use a deep fat thermometer whenever possible to prevent overheating fat beyond the smoking point.
- Never try to move a pan of hot fat, especially a deep fat fryer. Wait until the fat is cool.
- Do not store flammable materials near the cooktop.
- Keep the hood and grease filters clean to maintain good venting and to avoid grease fires.
- Do not store or use combustible materials, gasoline or other flammable vapors and liquids in the vicinity of this or any appliance.
- Clean only parts listed in this Owner's Manual.
- Do not leave paper products, cooking utensils or food on the cooktop when not in use.
- Keep cooktop clean and free of accumulation of grease or spillovers which may ignite.
- Never heat unopened food containers. Pressure buildup may make container burst and cause injury.
- Never leave jars or cans of fat drippings on or near your cooktop.



**READ AND FOLLOW THIS SAFETY INFORMATION CAREFULLY.  
SAVE THESE INSTRUCTIONS**

## Using the surface units.

Throughout this manual, features and appearance may vary from your model.



### How to Set

Push the knob in and turn in either direction to the setting you want.

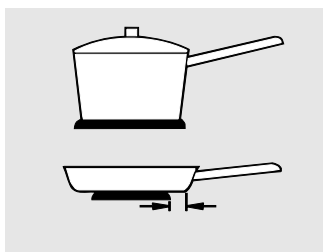
At both **OFF** and **HI** the control **clicks** into position. You may hear slight **clicking** sounds during cooking, indicating the control is keeping the power level you set.

The control must be pushed in to set only from the **OFF** position. When the control is in any position other than **OFF**, it may be rotated without pushing it in.

If boiling water, for more efficient use, turn the knob to **HI** to bring it to a boil faster. After the water has come to a boil, reduce the knob setting to medium-high. The heat will still be great enough to maintain a boil, but you will be using less energy.

An indicator light will glow when **any** surface unit is on.

Be sure you turn the control knob to **OFF** when you finish cooking.

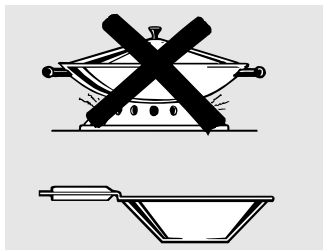


Not over 1 inch.

### Surface Cookware Tips

Use medium- or heavy-weight cookware. Aluminum cookware conducts heat faster than other metals. Cast-iron and coated cast-iron cookware are slow to absorb heat, but generally cook evenly at low to medium heat settings. Steel pans may cook unevenly if not combined with other metals.

For best cooking results, pans should be flat on the bottom. Match the size of the saucepan to the size of the surface unit. The pan should not extend over the edge of the surface unit more than 1 inch.



Use only flat-bottomed woks.

### Wok Cooking

We recommend that you use only a flat-bottomed wok. They are available at your local retail store.

Do not use woks that have support rings. Use of these types of woks, with or without the ring in place, can be dangerous.

Placing the ring over the surface unit will cause a build-up of heat that will damage the porcelain cooktop. Do not try to use such woks without the ring. You could be seriously burned if the wok tipped over.

### Deep Fat Frying

Foods for frying should be as dry as possible. Frost on frozen foods or moisture on fresh foods can cause hot fat to bubble up and over the sides of the pan.

## Care and cleaning of the cooktop.

Be sure electrical power is off and all surfaces are cool before cleaning any part of the cooktop.

### How to Remove Packaging Tape

To assure no damage is done to the finish of the product, the safest way to remove the adhesive left from packaging tape on new appliances is an application of a household liquid dishwashing detergent, mineral oil or cooking oil.

Apply with a soft cloth and allow to soak. Wipe dry and then apply an appliance polish to thoroughly clean and protect the surface.

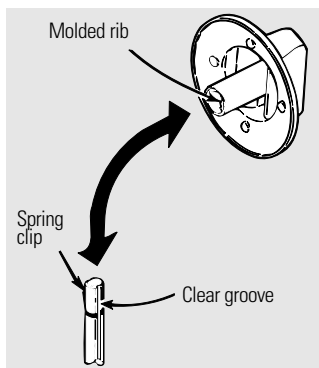
**NOTE:** The plastic tape must be removed from all chrome trim. It cannot be removed if it is baked on.

### Glass Control Panel

The glass control panel on your cooktop has been tempered to withstand sudden temperature changes during cooking. Give it the normal care you would give any glass material.

While it is impact-resistant, avoid scratching it to prevent it from shattering.

If the glass is hot, wipe up spills with a dry cloth or paper towel. When the surface has cooled, wash, rinse and dry it. Alternately, when the glass is cool, spray it with glass or window cleaner. Avoid the use of cleaning powders or harsh abrasives that may scratch the surface.



### Control Knobs

The control knobs may be removed for easier cleaning.

Before removing the knobs for cleaning, please note that the knobs are in the **OFF** position. When replacing the knobs, check the **OFF** position to insure proper placement.

The knob has a groove in each side. The groove on one side has a spring clip. The other groove is clear. Check the inside of the knob and find the molded rib.

Wash knobs in soap and water but do not soak. Avoid getting water down into the knob stem holes.

Replace the knob by fitting the molded rib inside the knob into the clear groove on the stem.

---

**Stainless Steel Cooktop** *(on some models)*

**Do not use a steel-wool pad; it will scratch the surface.**

To clean the stainless steel surface, use a hot, damp cloth with a mild detergent suitable for stainless steel surfaces. Use a clean, hot, damp cloth to remove soap. Dry with a dry, clean cloth.

If food soil remains, try a general kitchen cleaner, such as Fantastik®, Simple Green®, or Formula 409®.

For hard-to-clean soil, use a standard stainless steel cleaner, such as Bon-Ami® or Cameo®.

Apply cleaner with a damp sponge. Use a clean, hot, damp cloth to remove cleaner. Dry with a dry, clean cloth. Always scrub lightly in the direction of the grain.

After cleaning, use a stainless steel polish, such as Stainless Steel Magic®, Revere Copper and Stainless Steel Cleaner®, or Wenol All Purpose Metal Polish®. Follow the product instructions for cleaning the stainless steel surface.

---

**Porcelain Enamel Cooktop** *(on some models)*

*The porcelain enamel finish is sturdy but breakable if misused.*

This finish is acid-resistant. However, any acidic foods spilled (such as fruit juices, tomato or vinegar) should not be permitted to remain on the finish.

If acids spill on the cooktop while it is hot, use a dry paper towel or cloth to wipe it up right away. When the surface has cooled, wash with soap and water. Rinse well.

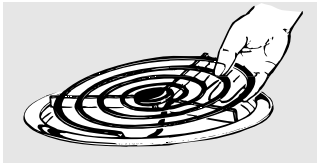
For other spills such as fat splatterings, wash with soap and water or cleansing powders after the surface has cooled. Rinse well. Polish with a dry cloth.

---

**Metal Parts**

Do not use steel wool, abrasives, ammonia or commercial oven cleaners. To safely clean surfaces; wash, rinse and then dry with a soft cloth.

## Care and cleaning of the cooktop.



Lift the surface unit about 1 inch above the drip pan and pull it out.

### Surface Units

To clean the surface units, turn the control to the highest setting for a minute. The coils will burn off any soil.

#### To remove a surface unit:

To remove the drip pans for cleaning, the surface units must be removed first. Lift the surface unit about 1 inch above the drip pan and pull it out.

Do not lift the surface unit more than 1 inch. If you do, it may not lie flat on the drip pan when you plug it back in.

Repeated lifting of the surface unit more than 1 inch above the drip pan can permanently damage the receptacle.

#### To replace a surface unit:

Replace the drip pan into the recess in the cooktop. Make sure the opening in the pan lines up with the receptacle.

Insert the terminals of the surface unit through the opening in the drip pan and into the receptacle.

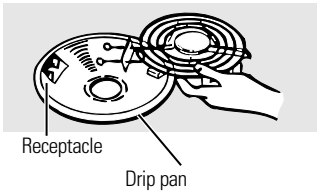
Guide the surface unit into place so it rests evenly.

*Do not immerse the surface units in liquids of any kind.*

*Do not clean the surface units in a dishwasher.*

*Do not bend the surface unit plug terminals.*

*Do not attempt to clean, adjust or in any way repair the plug-in receptacle.*



### Drip Pans

Remove the surface units. Then lift out the drip pans.

Clean the drip pans by hand with warm, soapy water.

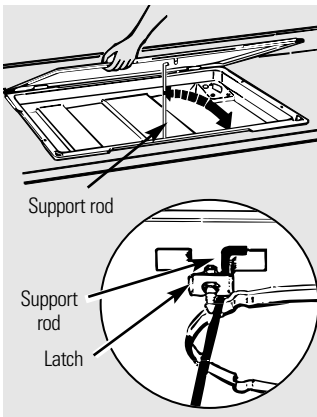
To remove burned-on foods, soak them in hot, soapy water for several hours. Then scrub with a soap-filled plastic scouring pad if necessary.

Rinse with clean water and polish with a clean soft cloth.

The drip pans may also be cleaned in a dishwasher.

Clean the area under the drip pans often. Built-up soil, especially grease, may catch fire.

*Do not cover the drip pans with foil. Using foil so close to the receptacle could cause shock, fire or damage to the cooktop.*



Be sure to secure the cooktop support rod in the cooktop strike catch.

### Lift-Up Cooktop

Clean the area under the cooktop often. Built-up soil, especially grease, may catch on fire.

To make cleaning easier, the entire cooktop may be lifted. Be sure all surface units are turned off and are cool before raising the cooktop.

#### To raise the cooktop:

- 1 Remove all four control knobs. See the *Control Knobs* section.
- 2 Remove one of the front surface units and drip pans and use this opening to grasp the cooktop. See the *Surface Units* and *Drip Pans* sections.
- 3 Lift the cooktop.
- 4 Raise the support rod into place and hook it into the bracket on the underside of the cooktop to hold it in place while cleaning.

#### To clean the cooktop:

Use hot, soapy water and a clean cloth to clean the surface under the cooktop. To remove burned-on spills, use a cleansing powder. Rinse well, then polish with a dry cloth.

#### To lower the cooktop:

- 1 While holding the cooktop up with one hand, carefully disengage the support rod from the bracket and return it to its original location.
- 2 Gently lower the cooktop.
- 3 To fasten the cooktop down, press on the front of the cooktop to make sure the strike engages the catch.
- 4 Replace any drip pans and surface units that you removed.
- 5 Replace the control knobs.



# Installation Instructions

# Electric Cooktop

JP328, JP626

**Questions?** Visit our Website at: [GEAppliances.com](http://GEAppliances.com) or Call the GE Answer Center at 800.626.2000.

## BEFORE YOU BEGIN

Read these instructions completely and carefully.

- **IMPORTANT** — Save these instructions for local inspector's use.
- **IMPORTANT** — Observe all governing codes and ordinances.
- **Note to Installer** — Be sure to leave these instructions with the Consumer.
- **Note to Consumer** — Keep these instructions for future reference.
- **WARNING:** For personal safety, this appliance must be properly grounded. See the **GROUNDING INSTRUCTIONS** section in these Installation Instructions.
- Proper installation is the responsibility of the installer.
- Product failure due to improper installation is not covered under the Warranty.

## FOR YOUR SAFETY:

- **WARNING** — Before beginning the installation, switch power off at the service panel and lock the service disconnecting means to prevent power from being switched on accidentally. When the service disconnecting means cannot be locked, securely fasten a prominent warning device, such as a tag, to the service panel.
- To eliminate the risk of burns or fire by reaching over heated surface elements, cabinet storage located above the surface units should be avoided. If cabinet storage space is to be provided, the risk can be reduced by installing a range hood that projects horizontally a minimum of 5" beyond the bottom of the cabinets. Cabinet installation above the cooktop may be no deeper than 13".
- The cooktop should be easy to reach and lighted with natural light during the day.

## TOOLS YOU WILL NEED

- Electric or hand drill and 1/8" drill bit
- Flat blade screwdriver
- Phillips screwdriver
- Pencil
- Ruler
- Hand or saber saw

### FOR TILE COUNTERTOP INSTALLATION

- Electric drill and 5/32" drill bit
- 4 1/16" x 1 1/4" masonry screws

# Installation Instructions

## ELECTRICAL REQUIREMENTS

**ATTENTION:** All electric cooktops must be hard wired (direct wired) into an approved junction box. A plug and receptacle is not permitted for these products.

We recommend you have the electrical wiring and hookup of your cooktop done by a qualified electrician. After installation, have the electrician show you where your main disconnect is located.

Check with your local utilities for electrical codes which apply in your area. Failure to wire your cooktop according to governing codes could result in a hazardous condition. If there are no local codes, your cooktop must be wired and fused to meet the requirements of the National Electrical Code, ANSI/NFPA No. 70 Latest Edition. You can get a copy by writing:

National Fire Protection Association  
 Batterymarch Park  
 Quincy, MA 02269

You should use a single phase, three wire 240/120 Volt, 60 Hertz electrical power system. If aluminum wiring is used, all connections **MUST** be listed for use with aluminum and copper wiring. It is strongly recommended that if aluminum wiring is used, the special terminal grease for use with aluminum wiring, preferably with "grit", is put into the connection to keep it from corroding over time.

At a minimum, the National Electrical Code wire sizing in Section 310 should be followed. It is further recommended that No. 8 AWG copper (or No. 6 AWG aluminum) wire or larger if required, protected with either a double pole 40 Ampere circuit breaker or two 40 Ampere fuses be used to supply power to the cooktop.

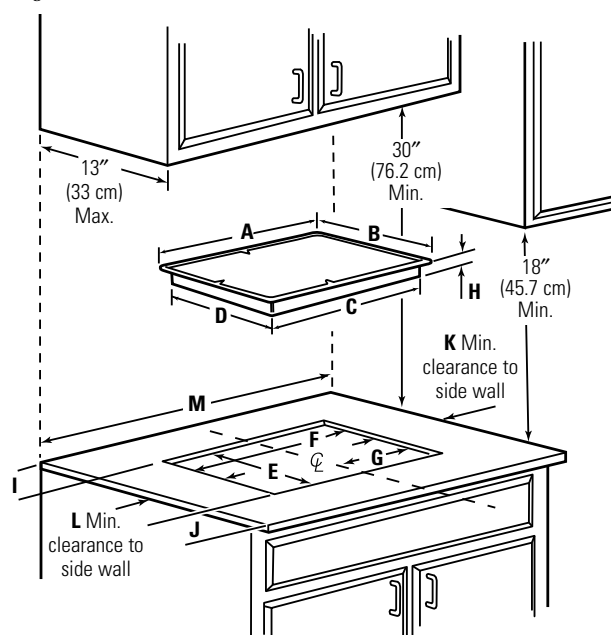
See the section on Electrical Connections for detailed instructions on hookup of your cooktop.

## PRODUCT DIMENSIONS AND CLEARANCES

Counter space must be provided for installation of the cooktop. To insure accuracy, it is best to make a template when cutting the opening in the counter. See illustration below for all necessary dimensions.

When choosing a location, the following minimum clearances must be maintained between the cooktop and adjacent combustible surfaces:

- 30" (76.2 cm) minimum vertical clearance from the cooktop to the nearest overhead surface.
- 18" (45.7 cm) minimum vertical clearance to adjacent cabinets.



Cooktop and cutout dimensions

	Model		Model	
	JP328	JP626	JP328	JP626
<b>A</b>	30 <sup>1</sup> / <sub>4</sub> " 76.8 cm	35 <sup>1</sup> / <sub>2</sub> " 90.2 cm	<b>H</b>	3" min. 7.6 cm
<b>B</b>	21 <sup>1</sup> / <sub>4</sub> " 54.0 cm	21" 53.3 cm	<b>I</b>	1 <sup>3</sup> / <sub>4</sub> " min. 4.4 cm
<b>C</b>	28 <sup>3</sup> / <sub>8</sub> " 72.1 cm	33 <sup>1</sup> / <sub>16</sub> " 85.6 cm	<b>J</b>	3 <sup>1</sup> / <sub>2</sub> " min. 8.9 cm
<b>D</b>	19 <sup>3</sup> / <sub>8</sub> " 49.2 cm	18 <sup>5</sup> / <sub>16</sub> " 48.1 cm	<b>K</b>	2" min. 5.1 cm
<b>E</b>	19 <sup>1</sup> / <sub>2</sub> " 49.5 cm	19 <sup>1</sup> / <sub>8</sub> " 48.6 cm	<b>L</b>	5 <sup>1</sup> / <sub>2</sub> " min. 14.0 cm
<b>F</b>	28 <sup>1</sup> / <sub>2</sub> " 72.4 cm	33 <sup>3</sup> / <sub>8</sub> " 86.0 cm	<b>M</b>	33 <sup>1</sup> / <sub>4</sub> " min. 84.5 cm
<b>G</b>	14 <sup>1</sup> / <sub>4</sub> " 36.2 cm	16 <sup>1</sup> / <sub>16</sub> " 43.0 cm		41 <sup>1</sup> / <sub>8</sub> " min. 105 cm

# Installation Instructions

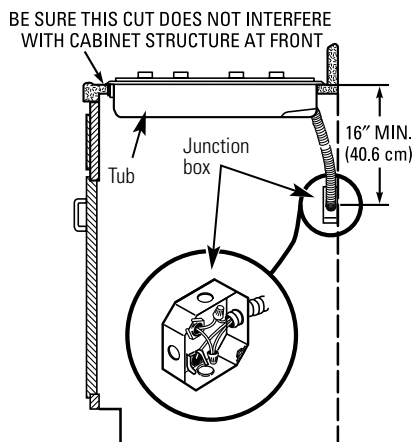
## 1 PREPARATION

Before installing the cooktop or moving it to another location, have the electrician verify:

- That your home is provided with adequate electrical service.
- That the addition of the cooktop will not overload the household circuit on which it is used.

## 2 INSTALL THE JUNCTION BOX

Install an approved junction box where it will be easily accessible through the front of the cabinet where cooktop will be located. See the illustration at right for the suggested mounting location.



## 3 INSTALL THE COOKTOP

Install the cooktop in the cutout opening.

**NOTE:** If the cooktop is being installed in a blind counter (one with no cabinet opening below), wire connections must be made before putting the cooktop into the cutout.

## 4 SECURE THE COOKTOP

Secure the tub of the cooktop to a standard counter with the wood screws shipped with the cooktop.

Secure the tub of the cooktop to a tile counter with 4 masonry screws. These can be purchased at any hardware store.

## 5 MAKE ELECTRICAL CONNECTIONS

### ⚠ WARNING

The electrical power to the cooktop supply line must be shut off while line connections are being made. Failure to do so could result in serious injury or death.

When making the wire connections, use the entire length of conduit provided (3 feet). The conduit must not be cut.

Connect the red and black leads from the cooktop conduit to the corresponding leads in the junction box.

The power leads supplied with this appliance are UL recognized for connection to larger gauge household wiring. The insulation of the leads is rated at much higher temperatures than the temperature rating of household wiring. The current carrying capacity of the conductor is governed by the wire gauge and also the temperature rating of the insulation around the wire.

### GROUNDING INSTRUCTIONS

The bare ground wire in the conduit is connected to the cooktop frame.

When connecting to a 3 conductor branch circuit, if local codes permit, connect the bare ground connector lead of the cooktop to the branch circuit neutral (gray or white in color).

**Effective January 1, 1996, the National Electrical Code requires that new construction use a (4) conductor connection and will not permit grounding through neutral. If used in new construction after January 1, 1996, in a mobile home or recreational vehicle, or if local codes do not permit grounding through the neutral white lead, do the following:**

Attach the appliance grounding lead (green or bare copper) to the residence grounding conductor (green or bare copper) in accordance with local codes.

## Before You Call For Service...



*Troubleshooting Tips*  
Save time and money! Review the chart on this page first and you may not need to call for service.

<b>Problem</b>	<b>Possible Causes</b>	<b>What To Do</b>
<b>Surface units not functioning properly</b>	<b>The surface units are not plugged in solidly.</b>	<ul style="list-style-type: none"> <li>• With the controls off, check to make sure the surface unit is plugged completely into the receptacle.</li> </ul>
	<b>The surface unit controls improperly set.</b>	<ul style="list-style-type: none"> <li>• Check to see the correct control is set for the surface unit you are using.</li> </ul>
	<b>The drip pans are not set securely in the cooktop.</b>	<ul style="list-style-type: none"> <li>• With the controls off, check to make sure the drip pan is in the recess in the cooktop and that the opening in the pan lines up with the receptacle.</li> </ul>
	<b>A fuse in your home may be blown or the circuit breaker tripped.</b>	<ul style="list-style-type: none"> <li>• Replace the fuse or reset the circuit breaker.</li> </ul>

# GE Built-In Cooktop Warranty.



All warranty service provided by our Factory Service Centers, or an authorized Customer Care® technician. To schedule service, on-line, 24 hours a day, visit us at [www.GEAppliances.com](http://www.GEAppliances.com), or call 800.GE.CARES (800.432.2737).

Staple your receipt here. Proof of the original purchase date is needed to obtain service under the warranty.

For The Period Of:	We Will Replace:
<b>One Year</b> From the date of the original purchase	<b>Any part</b> of the cooktop which fails due to a defect in materials or workmanship. During this <b>full one-year warranty</b> , GE will also provide, <b>free of charge</b> , all labor and in-home service to replace the defective part.

## What GE Will Not Cover:

- Service trips to your home to teach you how to use the product.
  - Improper installation.
  - Failure of the product if it is abused, misused, or used for other than the intended purpose or used commercially.
- Replacement of house fuses or resetting of circuit breakers.
  - Damage to the product caused by accident, fire, floods or acts of God.
  - Incidental or consequential damage caused by possible defects with this appliance.

*This warranty is extended to the original purchaser and any succeeding owner for products purchased for home use within the USA. In Alaska, the warranty excludes the cost of shipping or service calls to your home.*

*Some states do not allow the exclusion or limitation of incidental or consequential damages. This warranty gives you specific legal rights, and you may also have other rights which vary from state to state. To know what your legal rights are, consult your local or state consumer affairs office or your state's Attorney General.*

**Warrantor: General Electric Company, Louisville, KY 40225**

- Safety Instructions
- Operating Instructions
- Care and Cleaning
- Troubleshooting Tips
- Consumer Support

## Consumer Support.

---



### *GE Appliances Website*

[www.GEAppliances.com](http://www.GEAppliances.com)

Have a question or need assistance with your appliance? Try the GE Appliances Website 24 hours a day, any day of the year! For greater convenience and faster service, you can now download Owner's Manuals, order parts, catalogs, or even schedule service on-line. You can also "Ask Our Team of Experts™" your questions, and so much more...



### *Schedule Service*

[www.GEAppliances.com](http://www.GEAppliances.com)

Expert GE repair service is only one step away from your door. Get on-line and schedule your service at your convenience 24 hours any day of the year! Or call 800.GE.CARES (800.432.2737) during normal business hours.



### *Real Life Design Studio*

[www.GEAppliances.com](http://www.GEAppliances.com)

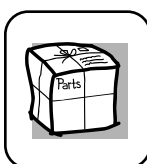
GE supports the Universal Design concept—products, services and environments that can be used by people of all ages, sizes and capabilities. We recognize the need to design for a wide range of physical and mental abilities and impairments. For details of GE's Universal Design applications, including kitchen design ideas for people with disabilities, check out our Website today. For the hearing impaired, please call 800.TDD.GEAC (800.833.4322).



### *Extended Warranties*

[www.GEAppliances.com](http://www.GEAppliances.com)

Purchase a GE extended warranty and learn about special discounts that are available while your warranty is still in effect. You can purchase it on-line anytime, or call 800.626.2224 during normal business hours. GE Consumer Home Services will still be there after your warranty expires.

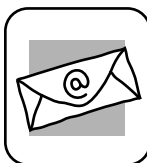


### *Parts and Accessories*

[www.GEAppliances.com](http://www.GEAppliances.com)

Individuals qualified to service their own appliances can have parts or accessories sent directly to their homes (VISA, MasterCard and Discover cards are accepted). Order on-line today, 24 hours every day or by phone at 800.626.2002 during normal business hours.

***Instructions contained in this manual cover procedures to be performed by any user. Other servicing generally should be referred to qualified service personnel. Caution must be exercised, since improper servicing may cause unsafe operation.***



### *Contact Us*

[www.GEAppliances.com](http://www.GEAppliances.com)

If you are not satisfied with the service you receive from GE, contact us on our Website with all the details including your phone number, or write to: General Manager, Customer Relations  
GE Appliances, Appliance Park  
Louisville, KY 40225



### *Register Your Appliance*

[www.GEAppliances.com](http://www.GEAppliances.com)

**Register your new appliance on-line—at your convenience!** Timely product registration will allow for enhanced communication and prompt service under the terms of your warranty, should the need arise. You may also mail in the pre-printed registration card included in the packing material.



# Eléctrica Empotrada Estufa

**Manual del usuario  
e instrucciones  
de instalación**

JP328  
JP626

*Instrucciones de seguridad* .. 2-4

*Instrucciones de operación* ..... 5

*Cuidado y limpieza*

Cinta de empaque ..... 6

Panel de control de vidrio ..... 6

Partes metálicas ..... 8

Perillas de control ..... 6

Recipientes de goteo ..... 8

Superficie de acero inoxidable .. 7

Superficie de levantar ..... 8

Superficie esmaltada  
en porcelana ..... 7

Unidades de la superficie ..... 8

*Instrucciones de instalación*

Conexiones eléctricas ..... 11

Requisitos eléctricos ..... 10

Instalación de la estufa ..... 11

Ubicación ..... 10

Herramientas necesarias ..... 9

*Consejos para la solución  
de problemas* ..... 12

*Soporte al consumidor*

Soporte al consumidor ..... 14

Garantía ..... 13

**Escriba el modelo y los  
números de serie a  
continuación:**

**Modelo No:** \_\_\_\_\_

**Serie No:** \_\_\_\_\_

Los puede encontrar en la  
etiqueta que está debajo de  
la superficie de la estufa.

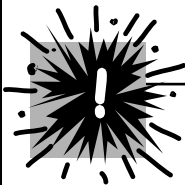


# INFORMACIÓN DE SEGURIDAD IMPORTANTE. LEA TODAS LAS INSTRUCCIONES ANTES DE SU USO.

Seguridad

## ⚠ ¡ADVERTENCIA

Por su seguridad, se debe seguir la información de este manual para reducir el riesgo de incendio o explosión, descarga eléctrica o para evitar daños a la propiedad, lesiones personales o la pérdida de la vida.



## PRECAUCIONES DE SEGURIDAD

Quando use electrodomésticos, se deben seguir precauciones básicas de seguridad, incluyendo las siguientes:

- Use este electrodoméstico sólo para el uso descrito en este manual.
- No intente reparar o reemplazar alguna parte de su estufa a menos que se recomiende específicamente en este manual. Cualquier otro servicio se debe remitir a un técnico calificado.
- Antes de realizar cualquier servicio, desconecte la fuente de energía de la estufa en el tablero general de distribución retirando el fusible o apagando el interruptor de circuitos.
- Asegúrese de que un electricista calificado instale y conecte a tierra correctamente el electrodoméstico de acuerdo con las instrucciones de instalación suministradas.
- Pida al instalador que le muestre la ubicación del interruptor de circuitos o fusible. Márquelo para una fácil referencia.
- No deje a los niños solos o sin supervisión en una zona donde un electrodoméstico está en uso. Nunca se debe permitir que alguien se siente o se pare en alguna parte del electrodoméstico.
- Enseñe a los niños a no jugar con los controles ni con ninguna otra parte de la estufa.
- No permita que nadie salte, se pare o se cuelgue de la estufa.
- **PRECAUCIÓN:** No se deben guardar en los gabinetes encima de la estufa artículos de interés para los niños ya que si se suben en la estufa para alcanzar dichos artículos pueden sufrir serias lesiones.
- Siempre mantenga el papel de colgadura o las cortinas de material combustible a una distancia prudente de la estufa.
- Siempre mantenga las toallas y paños para platos, guantes para ollas y otros artículos de tela a una distancia prudente de la estufa.
- Siempre mantenga los utensilios plásticos y de madera y los alimentos enlatados a una distancia prudente de la estufa.
- Nunca use ropa suelta o prendas que cuelguen mientras utiliza el electrodoméstico. El material inflamable se podría prender si entra en contacto con unidades calientes de la superficie y puede causar quemaduras severas.
- Use únicamente guantes para ollas que estén secos, los guantes húmedos en superficies calientes pueden causar quemaduras por el vapor. No deje que los guantes para ollas toquen las unidades calientes de la superficie. No use toallas u otros paños gruesos que puedan arder si entran en contacto con la unidad caliente de la superficie.

Operación

Cuidado y limpieza

Solucionar problemas

Soporte al consumidor



## COCINE LA CARNE Y LAS AVES COMPLETAMENTE...

Cocine la carne y las aves completamente. La carne se debe cocinar a una temperatura mínima INTERNA de 160° F y las aves a una temperatura mínima INTERNA de 180° F. Normalmente, cocinar a estas temperaturas protege contra enfermedades causadas por los alimentos.





## **¡ADVERTENCIA!** **PRECAUCIONES DE SEGURIDAD**

- Por su seguridad, nunca use este electrodoméstico para calentar el cuarto de la cocina.
- No use agua para extinguir incendios de grasa. Nunca levante una olla en llamas. Apague los controles. Sofoque la olla en llamas en una unidad de la superficie cubriendo la olla completamente con una tapa que encaje bien, con una bandeja de galletas o plana. Use un extintor químico seco multiusos o de tipo espumoso.
- Se debe sofocar la grasa encendida por fuera de la olla cubriéndola con soda cáustica o si está disponible, usando un extintor químico seco multiusos o de tipo espumoso.
- Cuando prepare comidas llameantes debajo de la campana, encienda el ventilador.
- No deje acumular grasas u otros materiales inflamables en la superficie.
- No toque las unidades de la superficie. Estas superficies pueden estar tan calientes como para quemar aunque estén de color oscuro. Durante y después de su uso, no las toque, ni permita que algún paño u otro material inflamable entre en contacto con las unidades de la superficie o con las áreas cercanas a las unidades de la superficie; deje suficiente tiempo para que se enfríen primero.  

Las zonas potencialmente calientes son la superficie de la estufa y las áreas al frente.
- Para reducir la posibilidad de quemaduras, el encendido de materiales inflamables y los derrames, el mango de cualquier recipiente se debe girar hacia el centro de la estufa sin extenderse hacia ninguna unidad cercana de la superficie.
- Apague siempre el control de la unidad de la superficie antes de retirar el recipiente.
- Para evitar la posibilidad de quemaduras o descargas eléctricas siempre asegúrese de que los controles de todas las unidades de la superficie estén en la posición de apagado y que todas las resistencias estén frías antes de intentar levantar o remover la unidad.
- No sumerja o ponga en remojo las unidades removibles de la superficie. No las ponga en la lavadora de platos.
- Use sartenes de tamaño apropiado. Seleccione aquellas que tengan fondos planos suficiente para cubrir el elemento de calentamiento de la unidad de la superficie. El uso de ollas o sartenes de menor tamaño expondrá una porción de la unidad de la superficie al contacto directo y puede causar que la ropa se encienda. La relación correcta de la olla o sartén con respecto al quemador también mejorará la eficiencia.
- Nunca deje las unidades de la superficie sin atención en niveles de alta temperatura. Hervir en exceso causa humaredas y derramamientos de grasa que se pueden encender.
- Asegúrese de que los recipientes de goteo no estén cubiertos y estén instalados. Su ausencia durante la cocción podría dañar las partes de la superficie de la estufa y el cableado.
- No use papel aluminio para forrar los recipientes de goteo. Un uso incorrecto podría causar una descarga, peligro de incendio o daño a la estufa.

# INFORMACIÓN DE SEGURIDAD IMPORTANTE. LEA TODAS LAS INSTRUCCIONES ANTES DE SU USO.

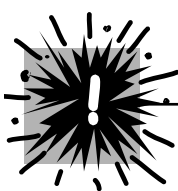
Seguridad

Operación

Cuidado y limpieza

Solucionar problemas

Soporte al consumidor



## ¡ADVERTENCIA! PRECAUCIONES DE SEGURIDAD

- Sólo ciertos tipos de vidrios, vidrio/cerámica, vajillas de barro u otros recipientes de vidrio son adecuados para cocinar en la superficie de la estufa; otros se podrían romper debido a un cambio brusco de temperatura.
- Nunca limpie la superficie de la estufa cuando esté caliente. Algunos limpiadores producen gases nocivos y los paños húmedos pueden causar quemaduras por vapor si se usan en una superficie caliente.
- Vigile los alimentos mientras se fríen a niveles de temperatura altos o medios.
- Los alimentos a freír deben estar lo más secos posible. La escarcha de los alimentos congelados o la humedad en los alimentos frescos puede hacer que la grasa caliente salpique por fuera de los lados de la olla.
- Use poca grasa para freír incluso al sumergir los alimentos en la grasa. Llenar la olla con demasiada grasa puede resultar en derramamientos cuando se agregan los alimentos.
- Si se usa una combinación de aceites o grasas para freír, revuelva antes de calentar, o a medida que las grasas se mezclan lentamente.
- Siempre caliente la grasa lentamente y vigile mientras se calienta.
- Cuando sea posible, use un termómetro para grasa para evitar sobrecalentar la grasa.
- Nunca trate de mover una sartén con grasa caliente, especialmente una sartén profunda para freír. Espere hasta que la grasa esté fría.
- No almacene materiales inflamables cerca de la estufa.
- Mantenga los filtros de la campana y de la grasa limpios para mantener una buena ventilación y evitar que la grasa se encienda.
- No almacene o use materiales combustibles, gasolina u otros vapores y líquidos inflamables en la cercanía de éste o cualquier electrodoméstico.
- Limpie sólo las partes señaladas en este manual del usuario.
- No deje productos de papel, utensilios de cocina o alimentos en la estufa cuando no esté en uso.
- Mantenga la estufa limpia y libre de acumulación de grasa o derramamientos que se puedan encender.
- Nunca caliente recipientes de alimentos sin abrir, el aumento de presión podría causar que la lata explotara u otras lesiones.
- Nunca deje frascos o latas con restos de grasa sobre o cerca de la superficie de la estufa.

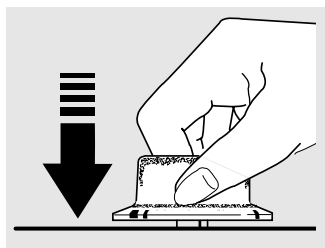


LEA Y SIGA ESTAS INSTRUCCIONES DE  
SEGURIDAD CUIDADOSAMENTE.

**CONSERVE ESTAS INSTRUCCIONES**

# Cómo usar las unidades de superficie.

En este manual, las características y el aspecto pueden ser diferentes a los de su modelo.



## Cómo operar

Presione la perilla y dele vuelta en cualquier dirección al nivel que desee.

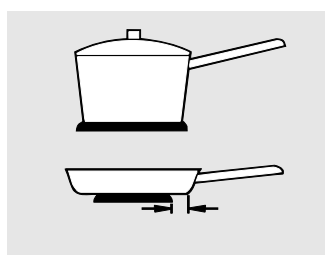
Tanto en apagado (**OFF**) como en alto (**HI**) el control **chasquea** al quedar en posición. Puede escuchar un sonido suave de un **chasquido** durante la cocción, que indica que el control mantiene el nivel de fuerza que se estableció.

El control se debe presionar únicamente desde la posición de apagado (**OFF**). Cuando el control está en cualquier otra posición diferente a apagado (**OFF**), se puede rotar sin empujarlo.

Para un uso más eficaz, al hervir agua, gire la perilla a la posición **HI** (alto) para que hierva más rápido. Después de que el agua haya hervido, baje el nivel de la perilla a un nivel medio-alto. El calor será lo suficiente para mantener el hervor, pero usará menos energía.

Una luz indicadora se prenderá cuando **alguna** unidad de la superficie esté encendida.

Asegúrese de girar la perilla de control en la posición de apagado (**OFF**) cuando termine de cocinar.

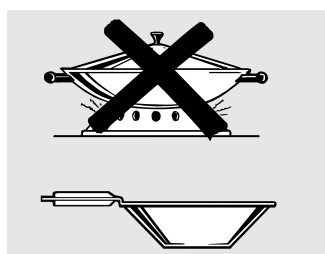


No debe exceder una pulgada (25 mm).

## Consejos para la batería de cocina para la superficie

Use una batería de cocina de peso mediano a alto. La batería de cocina de aluminio conduce el calor más rápido que otros metales. La batería de cocina de hierro fundido y cubierto con hierro fundido absorbe más lentamente el calor, pero generalmente cocinan uniformemente en los niveles de calor bajo a medio. Las sartenes de acero no cocinan uniformemente si no se combinan con otros metales.

Para mejores resultados de cocción, las sartenes deben ser planas en el fondo. El tamaño de las sartenes debe ser igual a la unidad de la superficie. La sartén no debe extenderse más allá del borde de la unidad de la superficie en más de 1 pulgada (25 mm).



Use únicamente sartenes tipo Wok con el fondo plano.

## Cocción en una sartén tipo Wok

Recomendamos que sólo use ollas de fondo plano. Están disponibles en las tiendas minoristas.

No use ollas tipo Wok con agarraderas. El uso de este tipo de ollas con o sin las agarraderas instaladas, puede ser peligroso.

Colocar la agarradera sobre la unidad de la superficie causará una acumulación de calor la cual puede dañar la superficie de porcelana. No trate de usar estas ollas sin la agarradera. Se puede quemar seriamente si la olla se voltea.

## Sartenes para freír

Los alimentos a freír deben estar lo más secos posible. La escarcha de los alimentos congelados o la humedad en los alimentos frescos puede hacer que la grasa caliente salpique por fuera de los lados de la olla.

# Cuidado y limpieza de la estufa.

Seguridad

Asegúrese de que el fluido eléctrico esté apagado y que todas las superficies estén frías antes de limpiar cualquier parte de la estufa.

Operación

## Cómo retirar la cinta del empaque

Para garantizar que no se haga daño al acabado del producto, la forma más segura de retirar el adhesivo que queda de la cinta de empaque en los nuevos electrodomésticos es la aplicación de un detergente líquido de uso casero para lavar platos, aceite mineral o aceite para cocinar.

Aplique con un paño suave y deje en remojo. Seque y luego aplique una cera para electrodomésticos para limpiar a fondo y proteger la superficie.

**NOTA:** La cinta plástica se debe retirar de todos los accesorios de cromo. No se podrán retirar después de quemarse.

Cuidado y limpieza

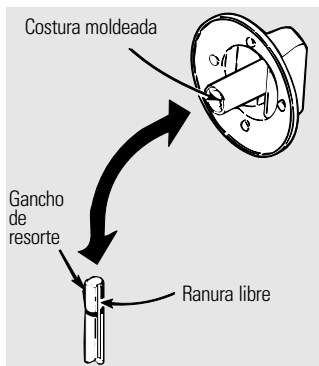
## Panel de control de vidrio

El panel de control de vidrio de su estufa se ha sometido a un proceso de templado para soportar cambios bruscos de temperatura durante la cocción. Dele el cuidado normal que le daría a cualquier material de vidrio.

Aunque es resistente a los impactos, trate de no rayarlo para evitar que se rompa.

Si el vidrio está caliente, limpie los derramamientos con un paño seco o toalla de papel. Cuando se enfríe la superficie, lávelo, enjuáguelo y séquelo. Alternativamente, cuando el vidrio esté frío, esparza un limpiador de vidrios o ventanas. Evite el uso de polvos limpiadores o abrasivos fuertes que puedan rayar la superficie.

Solucionar problemas



## Perillas de control

Las perillas de control se deben retirar para una limpieza más fácil.

Antes de retirar las perillas para limpieza, cerciórese de que las perillas estén en la posición de apagado (**OFF**). Cuando reemplace las perillas, revise que estén en la posición de apagado (**OFF**) para garantizar la colocación correcta.

La perilla tiene una ranura en cada lado. La ranura de un lado tiene un gancho de resorte. La otra ranura no tiene nada. Revise el interior de la perilla y busque la costura moldeada.

Lave las perillas en agua y jabón pero no las deje en remojo. Evite que el agua entre a los huecos de la boquilla de la perilla.

Reemplace la perilla ajustando la costura moldeada al interior de la perilla en la ranura libre en la boquilla.

Soporte al consumidor

**Superficie de acero inoxidable** *(en algunos modelos)***No use almohadillas de fibra metálica que rayen la superficie**

Para limpiar la superficie de acero inoxidable, use un paño caliente y húmedo con un detergente suave apropiado para superficies de acero inoxidable. Use un paño limpio caliente y humedecido para remover el jabón. Seque con un paño limpio y seco.

Si siguen las manchas de comida, ensaye con un limpiador para cocina como Fantastik®, Simple Green®, o Formula 409®.

Para manchas difíciles de limpiar, use un limpiador estándar de acero inoxidable como Bon-Ami® o Cameo®.

Aplique el limpiador con una esponja húmeda. Use un paño limpio, caliente y humedecido para quitar el limpiador. Seque con un paño limpio y seco. Siempre restriegue suavemente en la dirección de la veta.

Después de limpiar, use una cera para acero inoxidable, como Stainless Steel Magic®, Revere Copper and Stainless Steel Cleaner®, o Wenol All Purpose Metal Polish®. Siga las instrucciones del producto para limpiar la superficie de acero inoxidable

**Estufa de esmalte de porcelana** *(en algunos modelos)*

*El acabado en esmalte de porcelana es resistente pero se puede romper si se usa incorrectamente.*

Este acabado es resistente al ácido. Sin embargo, no se debe permitir que permanezca sobre el acabado, cualquier alimento ácido derramado (como jugos de frutas, tomate o vinagre).

Si se derraman ácidos sobre la superficie mientras está caliente, use un papel toalla o un paño húmedo para limpiar inmediatamente. Cuando se haya enfriado la superficie, lave con agua y jabón. Enjuague bien.

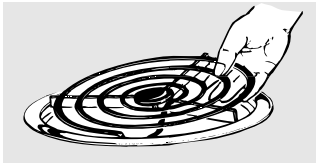
Para otros derramamientos como salpicaduras de grasa, lave con agua y jabón o limpie con polvos limpiadores después de que la superficie se enfríe. Enjuague bien. Brille con un paño seco..

**Partes metálicas**

No use fibra metálica, abrasivos, amoníaco o limpiadores comerciales de hornos. Para limpiar superficies de forma segura; lave, enjuague y después seque con un paño suave.

# Cuidado y limpieza de la estufa.

Seguridad



Levante la unidad de la superficie cerca de 1 pulgada por encima del recipiente de goteo y hale hacia fuera.

Operación

## Unidades de la superficie

Para limpiar las unidades de la superficie, gire el control al nivel más alto por un minuto. Las resistencias quemarán cualquier suciedad.

### Para retirar una unidad de la superficie:

Para retirar los recipientes de goteo para limpieza, se deben retirar primero las unidades de la superficie.

Levante la unidad de la superficie cerca de 1 pulgada por encima del recipiente de goteo y hale hacia fuera.

No levante las unidades de superficie más de 1 pulgada, si lo hace es posible que no quede nivelada sobre el recipiente de goteo cuando la vuelva a conectar.

Levantar repetidamente la unidad de la superficie más de 1 pulgada por encima del recipiente de goteo puede dañar permanentemente el receptáculo.

### Para reemplazar una unidad de la superficie:

Reemplace el recipiente de goteo en el orificio de la superficie de la estufa. Asegúrese de que la abertura del recipiente quede alineada con el receptáculo.

Conecte los terminales de la unidad de superficie a través de la abertura en el recipiente de goteo hasta el receptáculo.

Guíe la unidad de la superficie a su lugar de forma que descanse a nivel.

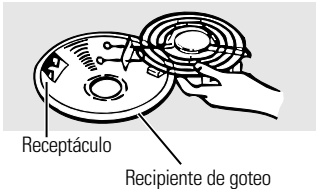
*No sumerja las unidades de la superficie en líquidos de ninguna clase.*

*No lave las unidades de la superficie en la lavadora de platos.*

*No doble los terminales de enchufe de la unidad de la superficie.*

*No intente limpiar, ajustar o reparar de alguna manera el receptáculo del enchufe.*

Cuidado y limpieza



## Recipientes de goteo

Retire las unidades de la superficie. Luego levante y saque los recipientes de goteo.

Limpie los recipientes de goteo a mano con agua tibia y jabonosa. Para retirar los alimentos adheridos que se han quemado, remoje en agua caliente jabonosa por varias horas. Luego restriegue con una esponjilla plástica con jabón si es necesario.

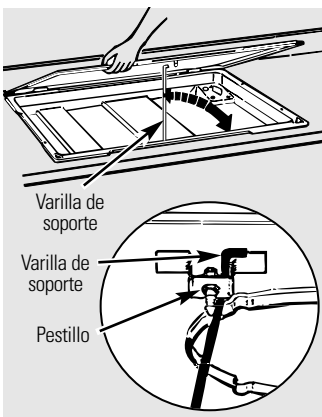
Enjuague con agua limpia y brille con un paño suave y limpio.

Los recipientes de goteo también se pueden limpiar en la lavadora de platos.

Con frecuencia, limpie el área bajo los recipientes de goteo. La suciedad pegada, especialmente la grasa puede encenderse.

*No cubra los recipientes de goteo con papel aluminio. Usar papel de aluminio muy cerca del receptáculo puede causar un corto, incendio o daño a la estufa.*

Solucionar problemas



Cerciórese de ajustar la varilla de soporte de la superficie en el pasador de la superficie de la estufa.

## Superficie de la estufa de levantar

Con frecuencia, limpie el área bajo la superficie de la estufa, la suciedad pegada se puede incendiar.

Para hacer la limpieza más fácil, se debe levantar toda la superficie de la estufa. Cerciórese de que todas las unidades estén apagadas y frías antes de levantar la superficie.

### Para levantar la superficie de la estufa:

- 1 Retire las cuatro perillas de los controles. Consulte la sección *Perillas de control*.
- 2 Retire una de las unidades frontales de la superficie y los recipientes de goteo y use esta abertura para levantar la superficie. Consulte las secciones *Unidades de la superficie* y *Recipientes de goteo*.
- 3 Levante la superficie.
- 4 Levante la varilla de apoyo y colóquela en el soporte en la parte baja de la superficie de la estufa para sostenerla en su lugar mientras limpia.

### Para limpiar la superficie de la estufa:

Use agua caliente jabonosa y un paño limpio para limpiar la superficie debajo de la estufa. Para retirar los alimentos quemados adheridos, use un polvo limpiador. Enjuague bien y luego brille con un paño seco.

### Para bajar la superficie de la estufa:

- 1 Mientras sostiene la superficie de la estufa con una mano, cuidadosamente libere la varilla de apoyo del soporte y regrésela a su posición original.
- 2 Cuidadosamente baje la estufa.
- 3 Para asegurar la superficie, presione el frente de la estufa para cerciorarse de que las puntas encajen en los pasadores.
- 4 Reemplace cualquier recipiente de goteo y las unidades de la superficie que haya retirado.
- 5 Reemplace las perillas de control.

Soporte al consumidor

# Instrucciones de Instalación

# Estufa Eléctrica

JP328, JP626

## ANTES DE EMPEZAR

Lea estas instrucciones completa y cuidadosamente.

- **IMPORTANTE** – Guarde estas instrucciones para el uso del inspector local.
- **IMPORTANTE** – Cumpla con todos los códigos y ordenanzas que apliquen.
- **Nota para el instalador** – Asegúrese de dejar estas instrucciones al consumidor.
- **Nota para el consumidor** – Guarde estas instrucciones para referencia futura.
- **ADVERTENCIA:** Por seguridad personal, este aparato se debe conectar a tierra correctamente. Consulte la sección INSTRUCCIONES PARA LA CONEXIÓN A TIERRA en estas Instrucciones de instalación.
- La instalación correcta es responsabilidad del instalador.
- La falla del producto debido a una instalación incorrecta no está cubierta por la garantía.

## PARA SU SEGURIDAD:

- **ADVERTENCIA** – Antes de empezar la instalación, mueva el interruptor a la posición de apagado en el panel de servicio y bloquee el suministro desconectando cualquier medio de suministro de energía para evitar que se pueda encender de forma accidental. Cuando no se puede bloquear la desconexión del servicio, pegue de forma segura al panel de servicio un letrero grande de advertencia, como una placa.
- Para eliminar el riesgo de quemaduras o incendios al alcanzar elementos calientes por encima de la superficie, se debe evitar instalar gabinetes de almacenamiento por encima de las unidades de la superficie. Si hay gabinetes, se puede reducir el riesgo instalando una campana de estufa que se proyecte horizontalmente un mínimo de 5 pulgadas (15 cms) más allá del fondo de los gabinetes. La instalación de los gabinetes por encima de la estufa no puede ser más profunda de 13 pulgadas (33 cms).
- La superficie de la estufa debe estar al alcance y se debe iluminar con luz natural durante el día.

## HERRAMIENTAS NECESARIAS

- Taladro eléctrico o manual y broca de 1/8"
- Destornillador de cabeza plana
- Destornillador de estrella
- Lápiz
- Regla
- Serrucho de mano

### PARA INSTALACIÓN EN MOSTRADOR DE LOZA

- Taladro eléctrico y broca de 5/32"
- Tornillos de mampostería de 4<sup>3</sup>/<sub>16</sub>" x 1<sup>1</sup>/<sub>4</sub>"

# Instrucciones de Instalación

## REQUISITOS ELÉCTRICOS

**ATENCIÓN:** Todas las estufas eléctricas deben tener cableado continuo (cableado directo) hacia una caja de conexión aprobada. No se permite enchufe ni receptáculo para estos productos.

Recomendamos que un electricista calificado instale el cableado y la conexión de su estufa. Después de la instalación, pida al electricista que le muestre dónde se encuentra la desconexión principal.

Consulte con la compañía local de servicios públicos los códigos eléctricos que aplican en su zona. No conectar la estufa según los códigos vigentes, puede acarrear una condición peligrosa. Si no hay códigos locales, su estufa se debe conectar según los requisitos del Código Eléctrico Nacional, ANSI / NFPA No 70 última versión. Puede obtener una copia al escribir a:

National Fire Protection Association  
Batterymarch Park  
Quincy, MA 02269

Debe usar un sistema eléctrico monofásico, de tres cables, 240/120 voltios, 60 Hertz. Si usa cableado de aluminio, TODAS las conexiones deben estar señaladas para uso con cableado de aluminio y cobre. Se recomienda enfáticamente que si se usa cableado de aluminio, se coloque en la conexión la grasa especial para terminales usada para el cableado de aluminio, preferiblemente con "arenilla" para evitar su corrosión con el tiempo.

Como mínimo, se deben seguir los tamaños de cable que recomienda el Código Eléctrico Nacional en la Sección 310. También se recomienda el uso de cable de cobre, tamaño No. 8 AWG, (o No. 6 AWG de aluminio) o mayor si se requiere, protegido con un interruptor de circuitos de 40 amperios de doble polaridad o dos fusibles de 40 amperios para el suministro de corriente hacia la estufa.

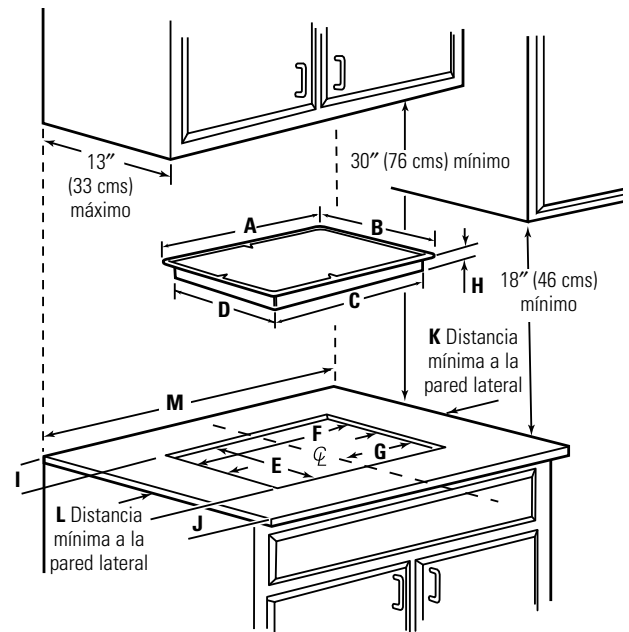
Consulte la sección *Conexiones eléctricas* para instrucciones detalladas sobre la conexión de la estufa.

## DIMENSIONES Y ESPACIOS PARA EL PRODUCTO

Se debe tener espacio en el mostrador para la instalación de la estufa de mostrador. Para garantizar la exactitud, es mejor hacer una plantilla cuando corte la abertura en el mostrador. Consulte en la ilustración a continuación todas las dimensiones necesarias.

Al seleccionar una ubicación, se deben mantener las siguientes distancias entre la estufa y las superficies combustibles adyacentes:

- Espacio mínimo vertical de 30" (76 cms) desde la superficie de la estufa hasta la superficie superior más cercana.
- Espacio mínimo vertical de 18" (46 cms) hasta los gabinetes adyacentes.



Dimensiones de la estufa y de los cortes.

	Modelo		Modelo	
	JP328	JP626	JP328	JP626
<b>A</b>	30 <sup>1</sup> / <sub>4</sub> " 76.8 cms	35 <sup>1</sup> / <sub>2</sub> " 90.2 cms	<b>H</b>	3" mín. 7.6 cms
<b>B</b>	21 <sup>1</sup> / <sub>4</sub> " 54.0 cms	21" 53.3 cms	<b>I</b>	1 <sup>3</sup> / <sub>4</sub> " mín. 4.4 cms
<b>C</b>	28 <sup>3</sup> / <sub>8</sub> " 72.1 cms	33 <sup>1</sup> / <sub>16</sub> " 85.6 cms	<b>J</b>	3 <sup>1</sup> / <sub>2</sub> " mín. 8.9 cms
<b>D</b>	19 <sup>3</sup> / <sub>8</sub> " 49.2 cms	18 <sup>5</sup> / <sub>16</sub> " 48.1 cms	<b>K</b>	2" mín. 5.1 cms
<b>E</b>	19 <sup>1</sup> / <sub>2</sub> " 49.5 cms	19 <sup>1</sup> / <sub>8</sub> " 48.6 cms	<b>L</b>	5 <sup>1</sup> / <sub>2</sub> " mín. 14.0 cms
<b>F</b>	28 <sup>1</sup> / <sub>2</sub> " 72.4 cms	33 <sup>3</sup> / <sub>8</sub> " 86.0 cms	<b>M</b>	33 <sup>3</sup> / <sub>4</sub> " mín. 84.5 cms
<b>G</b>	14 <sup>1</sup> / <sub>4</sub> " 36.2 cms	16 <sup>1</sup> / <sub>16</sub> " 43.0 cms		41 <sup>3</sup> / <sub>8</sub> " mín. 105 cms



# Installation Instructions

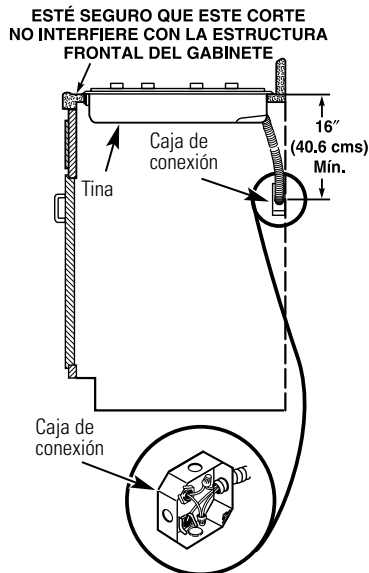
## 1 PREPARACIÓN

Antes de instalar la unidad o trasladarla a otro lugar, pida al electricista que verifique:

- Que su casa tenga un servicio eléctrico adecuado.
- Que la adición de la estufa no sobrecargue el circuito de la casa que use.

## 2 INSTALE LA CAJA DE CONEXIÓN

Instale una caja de conexión aprobada que sea de fácil acceso a través del frente del gabinete donde se localizará la estufa. Consulte la ilustración de la derecha para la localización sugerida para el montaje.



## 3 INSTALE LA ESTUFA

Instale la estufa en la abertura de corte.

**NOTA** Si la estufa se instala en un mostrador ciego (uno sin abertura para gabinete por debajo), las conexiones de cable se deben hacer antes de colocar la estufa en el corte.

## 4 ASEGURE LA ESTUFA

Asegure la tina de la estufa a un mostrador estándar con los tornillos de madera que vienen con la unidad.

Asegure la tina de la estufa a un mostrador de loza con 4 tornillos de mampostería. Éstos se pueden comprar en cualquier ferretería.

## 5 HAGA LAS CONEXIONES ELÉCTRICAS

### ⚠ ADVERTENCIA

Se debe desconectar el fluido eléctrico hacia la línea de alimentación de la estufa, mientras se hacen las conexiones de la línea. No hacerlo podría resultar en lesiones serias o en la muerte.

Al hacer las conexiones de los cable, use la longitud completa del conducto suministrado (3 pies ó 91 cms). No se debe cortar el conducto.

Conecte los cables negro y rojo del conducto de la unidad del mostrador con los cables correspondientes en la caja de conexión.

Los cables eléctricos suministrados con este electrodoméstico están aprobados por UL para conexión a un cableado de vivienda de calibre mayor. El aislamiento de los cables está calificado a temperaturas aún más altas que la calificación de la temperatura del cableado para vivienda. La capacidad actual del conductor depende del calibre del cable y también del nivel de temperatura del aislamiento alrededor del cable.

### INSTRUCCIONES PARA LA CONEXIÓN A TIERRA

El cable de polo a tierra descubierto en el conducto se conecta a la estructura de la estufa.

Cuando se conecta a un circuito ramal de 3 conductores, si los códigos locales lo permiten, una el alambre del conector a tierra descubierto de la estufa con el neutro del circuito ramal (color gris o blanco).

**A partir del primero de enero de 1996, el Código Eléctrico Nacional exige que todas las construcciones nuevas usen una (4) conexión de conductor y no permite la conexión a tierra a través del neutro. Si se usa en una construcción nueva después del primero de enero de 1996, en una casa móvil o vehículo recreacional, o si los códigos locales no permiten conectar a tierra a través del cable neutro blanco, haga el paso siguiente:**

Una el cable de conexión a tierra del aparato (verde o cobre descubierto) al conductor de conexión a tierra de la residencia (verde o cobre descubierto) de acuerdo con los códigos locales.

## Antes de llamar para un servicio...

Seguridad



Consejos para la solución de problemas

¡Ahorre tiempo y dinero! Revise primero la tabla de esta página y posiblemente no necesite llamar para un servicio.

Operación

Problema	Causas posibles	Qué hacer
<b>Las unidades de la superficie no funcionan correctamente</b>	Las unidades de la superficie no están conectadas firmemente.	<ul style="list-style-type: none"> <li>Con los controles en la posición de apagado, revise para asegurarse de que la unidad de la superficie esté conectada completamente en el receptáculo.</li> </ul>
	Los controles de la unidad de la superficie están instalados incorrectamente.	<ul style="list-style-type: none"> <li>Revise que el control correcto esté instalado para la unidad de la superficie que está usando.</li> </ul>
	Los recipientes de goteo no están firmes en la superficie de la estufa.	<ul style="list-style-type: none"> <li>Con los controles en la posición de apagado revise que el recipiente de goteo esté en su lugar y que la abertura en el recipiente quede alineada con el receptáculo.</li> </ul>
	Es posible que un fusible de la casa se haya saltado o el interruptor de circuitos se haya disparado.	<ul style="list-style-type: none"> <li>Reemplace el fusible o vuelva a reiniciar el interruptor de circuitos.</li> </ul>

Cuidado y limpieza

Solucionar problemas

Soporte al consumidor

## Garantía para la estufa empotrada de GE. (Para consumidores en los EE.UU.)



Todos los servicios de garantía los proporcionan nuestros Centros de Reparación de Fábrica o nuestros técnicos Customer Care® autorizados. Para concertar una cita de reparación, en línea, 24 horas al día, visítenos al [GEAppliances.com](http://GEAppliances.com), o llame al 800.GE.CARES (800.432.2737).

Pegue su recibo aquí.  
Se necesita la prueba de la fecha de la compra original para obtener servicio bajo esta garantía.

Durante:	Reemplazaremos:
<b>Un año</b> A partir de la fecha de compra original	<b>Cualquier parte</b> de la estufa que falle debido a un defecto en los materiales o mano de obra. Durante este <b>año completo de garantía</b> , GE también ofrecerá, <b>sin costo alguno</b> , toda la mano de obra y servicio interno para reemplazar las partes defectuosas.

### Qué no cubre GE:

- Viajes de servicio a su hogar para enseñarle cómo usar el producto.
- Una instalación incorrecta.
- Fallas del producto si hay abuso, mal uso, o uso para otros propósitos que los propuestos, o uso para fines comerciales.
- Reemplazo de fusibles de su hogar o reajuste de interruptores de circuito.
- Daño al producto causado por accidente, fuego, inundaciones, o actos de Dios.
- Daño incidental o consecuencial causado por posibles defectos con el aparato.

Esta garantía se extiende al comprador original y a cualquier propietario que lo suceda para el caso de productos comprados para uso doméstico normal en los Estados Unidos. En Alaska, usted tendrá que pagar el flete del producto o los costos de viaje del técnico de servicio hasta su hogar.

Algunos estados no permiten la exclusión o limitación de daños incidentales o consecuenciales. Esta garantía le proporciona derechos legales específicos, y puede tener otros derechos que pueden variar de un estado a otro. Para conocer los derechos legales de su estado, consulte con su oficina local de asuntos del consumidor o al procurador general de su estado.

**Garantidor: General Electric Company. Louisville, KY 40225**

Seguridad

Operación

Cuidado y limpieza

Solucionar problemas

Soporte al consumidor

## ***Soporte al consumidor.***

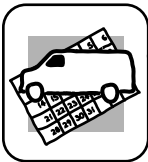
---



### *Página Web de GE Appliances*

***www.GEAppliances.com***

¿Tiene alguna pregunta sobre su electrodoméstico? ¡Pruebe la página Web de GE Appliances 24 horas al día, cualquier día del año! Para mayor conveniencia y servicio más rápido, ya puede descargar los Manuales de los Propietarios, pedir piezas o incluso hacer una cita en línea para que vengan a realizar una reparación. También puede “Ask Our Team of Experts™” (Preguntar a nuestro equipo de expertos) sobre cualquier cuestión y mucho más...



### *Solicite una reparación*

***www.GEAppliances.com***

El servicio de expertos GE está a tan sólo un paso de su puerta. ¡Entre en línea y solicite su reparación cuando le venga bien 24 horas al día cualquier día del año! O llame al 800.GE.CARES (800.432.2737) durante horas normales de oficina.



### *Real Life Design Studio (Estudio de diseño para la vida real) www.GEAppliances.com*

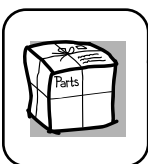
GE apoya el concepto de Diseño Universal—productos, servicios y ambientes que pueden usar gente de todas las edades, tamaños y capacidades. Reconocemos la necesidad de diseñar para una gran gama de habilidades y dificultades físicas y mentales. Para más detalles sobre las aplicaciones de GE Diseño Universal, incluyendo ideas de diseño para la cocina para personas con discapacidades, mire nuestra página Web hoy mismo. Para personas con dificultades auditivas, favor de llamar al 800.TDD.GEAC (800.833.4322).



### *Garantías ampliadas*

***www.GEAppliances.com***

Compre una garantía ampliada y obtenga detalles sobre descuentos especiales disponibles mientras su garantía está aún activa. Puede comprarla en línea en cualquier momento, o llamar al (800.626.2224) durante horas normales de oficina. GE Consumer Home Services estará aún ahí cuando su garantía termine.



### *Piezas y accesorios*

***www.GEAppliances.com***

Aquellos individuos con la calificación necesaria para reparar sus propios electrodomésticos pueden pedir que se les manden las piezas o accesorios directamente a sus hogares (aceptamos las tarjetas VISA, MasterCard y Discover). Haga su pedido en línea hoy, 24 horas cada día o llamar por teléfono al 800.626.2002 durante horas normales de oficina.

***Las instrucciones descritas en este manual cubren los procedimientos a seguir por cualquier usuario. Cualquier otra reparación debería, por regla general, referirse a personal calificado autorizado. Debe ejercerse precaución ya que las reparaciones incorrectas pueden causar condiciones de funcionamiento inseguras.***



### *Póngase en contacto con nosotros*

***www.GEAppliances.com***

Si no está satisfecho con el servicio que recibe de GE, póngase en contacto con nosotros en nuestra página Web indicando todos los detalles así como su número de teléfono o escribanos a:

General Manager, Customer Relations  
GE Appliances, Appliance Park  
Louisville, KY 40225



### *Registre su electrodoméstico*

***www.GEAppliances.com***

¡Registre su nuevo electrodoméstico en línea—cuando usted prefiera! El registrar su producto a tiempo le proporcionará, si surgiera la necesidad, una mejor comunicación y un servicio más rápido bajo los términos de su garantía. También puede enviar su tarjeta de registro pre-impresa que se incluye en el material de embalaje.