

Installation Instructions

Above the Cooktop Microwave Oven

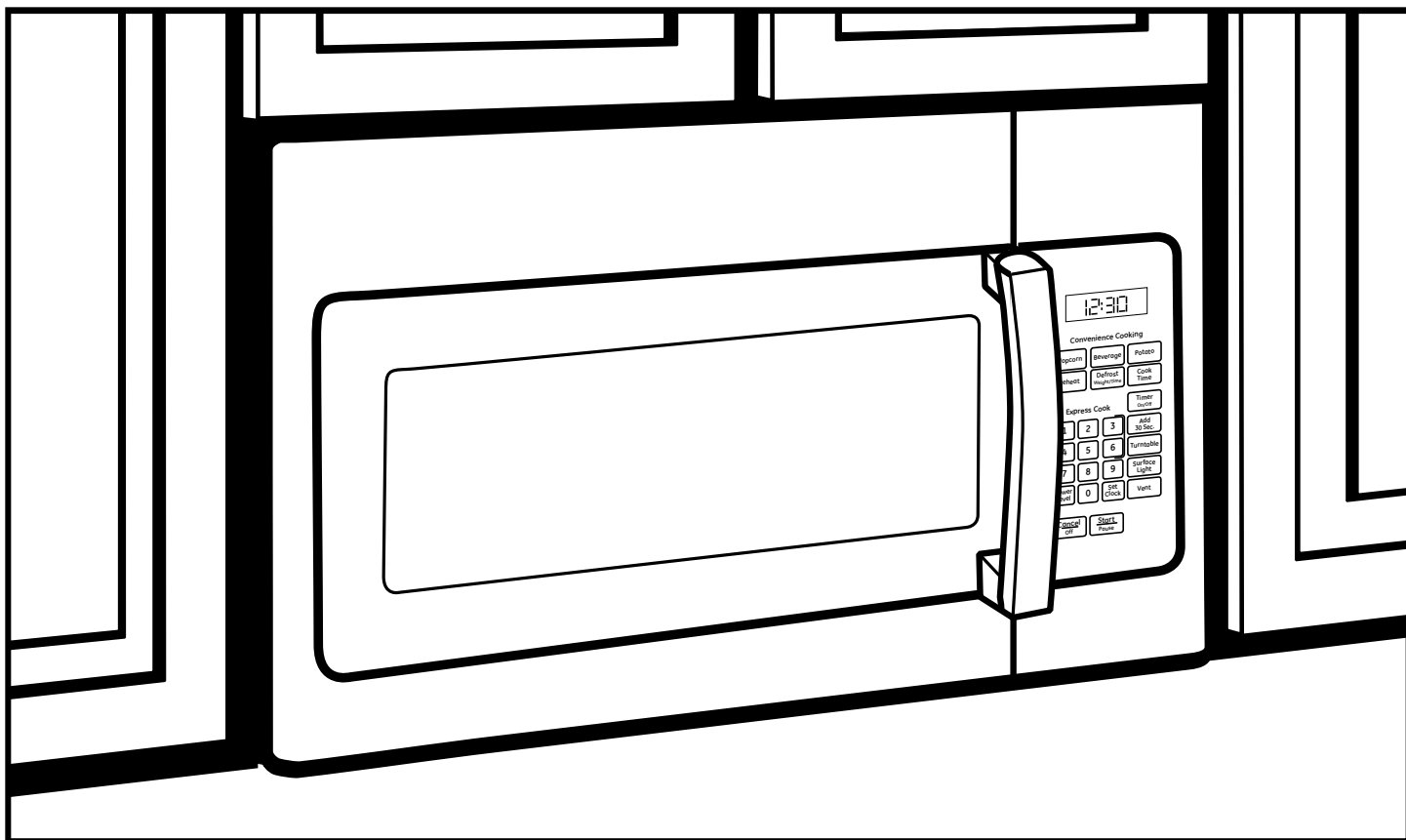
JVM1630 and JVM1635

Questions? Call 1-800-561-3344 or Visit our Website at: GEAppliances.ca

BEFORE YOU BEGIN

Read these instructions completely and carefully.

- **IMPORTANT** – Save these instructions for local inspector's use.
- **IMPORTANT** – Observe all governing codes and ordinances.
- **Note to Installer** – Be sure to leave these instructions with the consumer.
- **Note to Consumer** – Keep these instructions for future reference.
- **Skill level** – Installation of this appliance requires basic mechanical and electrical skills.
- Proper installation is the responsibility of the installer.
- Product failure due to improper installation is not covered under the warranty.



READ CAREFULLY.
KEEP THESE INSTRUCTIONS.

350A4502P740
49-40712
(06-13 ATS)

Installation Instructions

CONTENTS

General information

Important Safety Instructions.....	3
Electrical Requirements	3
Tools You Will Need	4
Hood Exhaust	5,6
Damage – Shipment/Installation	7
Parts Included	7
Mounting Space	8

Step-by-step installation guide

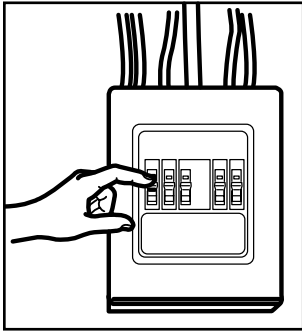
Placement of Mounting Plate.....	9-11
Removing the Mounting Plate.....	9
Finding the Wall Studs.....	9
Determining Mounting Plate Location	10
Aligning the Mounting Plate	11
Installation Types	12-23
A Recirculating.....	13-15
Attach Mounting Plate to Wall	13
Preparation of Top Cabinet.....	13
Installing the Charcoal Filter.....	14
Mount the Microwave Oven	14, 15
Installing the Charcoal Filter without Top Access	15
B Outside Top Exhaust.....	16-19
Attach Mounting Plate to Wall	16
Preparation of Top Cabinet.....	17
Adjust Blower Motor	17
Assemble and Install Adaptor	18
Mount the Microwave Oven	18
Adjust the Exhaust Adaptor.....	19
Connecting Ductwork.....	19

C Outside Back Exhaust.....	20-23
Installation Overview	20
Preparing Rear Wall for Outside Back Exhaust.....	20
Attach Mounting Plate to Wall	20, 21
Preparation of Top Cabinet.....	21
Adapting Blower for Outside Back Exhaust.....	21, 22
Mount the Microwave Oven	22, 23
Before You Use Your Microwave Oven	24

Installation Instructions

IMPORTANT SAFETY INSTRUCTIONS

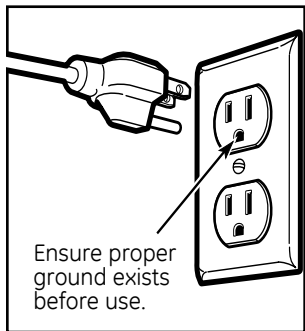
A qualified electrician must perform a ground continuity check on the wall receptacle before beginning the installation to ensure that the outlet box is properly grounded. If not properly grounded, or if the wall receptacle does not meet electrical requirements noted (under ELECTRICAL REQUIREMENTS), a qualified electrician should be employed to correct any deficiencies.



⚠WARNING:
Risk of Electric Shock.
Can cause injury or death:
Remove house fuse or
open circuit breaker before
beginning installation to avoid
severe or fatal shock injury.

⚠WARNING: Risk of Electric Shock.
Can cause injury or death: THIS APPLIANCE MUST BE
PROPERLY GROUNDED to avoid severe or fatal shock.

120 V Models



Ensure proper
ground exists
before use.

The power cord of this
appliance is equipped with
a three-prong (grounding)
plug which mates with
a standard three-prong
(grounding) wall receptacle
to minimize the possibility
of electric shock hazard
from this appliance.

Where a standard two-prong wall receptacle is encountered, it must be replaced with a properly grounded three-prong wall receptacle, installed by a qualified electrician.

⚠WARNING: Risk of Electric Shock.
Can cause injury or death: DO NOT, under any
circumstances, cut, deform or remove any of the prongs
from the power cord. Do not use with an extension cord.
Failure to comply may cause fire.

⚠CAUTION: For personal safety, the
mounting surface must be capable of supporting the
cabinet load, in addition to the added weight of this
63–85 pound product, plus additional microwave oven
loads of up to 50 pounds or a total weight of 113–135
pounds.

⚠CAUTION: For personal safety, this product
cannot be installed in cabinet arrangements such as an
island or a peninsula. It must be mounted to BOTH a top
cabinet AND a back wall.

⚠CAUTION: To avoid the risk of personal
injury (back injury or other injuries due to excessive
weight of the microwave) or property damage, you will
need two people to install this microwave.

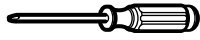
ELECTRICAL REQUIREMENTS

120 V Models

This product requires a three-prong grounded outlet. Product rating is 120 volts AC, 60 Hertz, 13.5 amps, and 1.55 kilowatts. This product must be connected to a supply circuit of the proper voltage and frequency. Wire size must conform to the requirements of the National Electrical Code or the prevailing local code for this kilowatt rating. The power supply cord and plug should be brought to a separate 15 to 20 ampere branch circuit single grounded outlet. The outlet box should be located in the cabinet above the microwave oven and away from any potential microwave ducting. The outlet box and supply circuit should be installed by a qualified electrician and conform to the National Electrical Code or the prevailing local code.

Installation Instructions

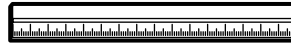
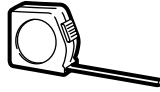
TOOLS YOU WILL NEED



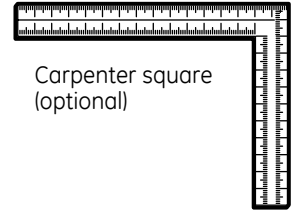
#1 and #2 Phillips screwdriver



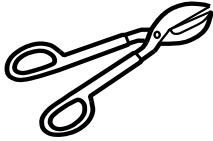
Pencil



Ruler or tape measure and straight edge



Carpenter square (optional)



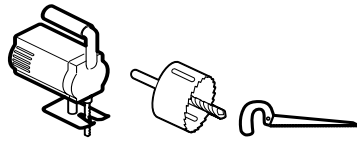
Tin snips (for cutting damper, if required)



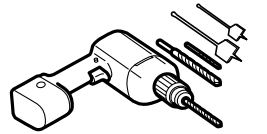
Scissors (to cut template, if necessary)



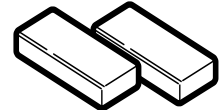
Gloves



Saw (saber, hole or keyhole)



Electric drill with $\frac{3}{16}$ ", $\frac{7}{16}$ ", $\frac{1}{2}$ " and $\frac{5}{8}$ " drill bits



Filler blocks or scrap wood pieces, if needed for top cabinet spacing (used on recessed bottom cabinet installations only)



Safety goggles



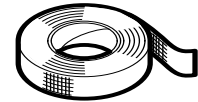
Level



Stud finder



Hammer (optional)



Duct and masking tape

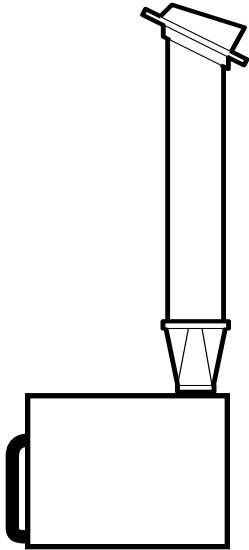
Installation Instructions

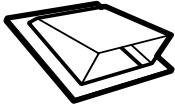


HOOD EXHAUST

NOTE: Read these next two pages only if you plan to vent your exhaust to the outside. If you plan to recirculate the air back into the room, proceed to page 6. Below are examples of Outside Top Exhaust and Outside Back Exhaust duct system layouts. Note the position of the microwave oven relative to the duct system.

OUTSIDE TOP EXHAUST (EXAMPLE ONLY)

The following chart describes an example of one possible ductwork installation.

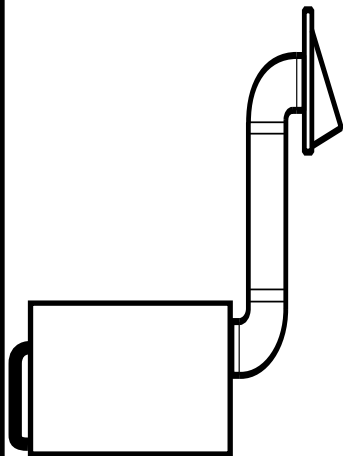


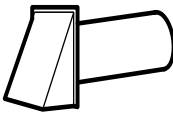


DUCT PIECES		EQUIVALENT LENGTH x	NUMBER USED =	EQUIVALENT LENGTH
	Roof Cap	24 Ft. x	(1) =	24 Ft.
	12 Ft. Straight Duct (6" Round)	12 Ft. x	(1) =	12 Ft.
	Rectangular-to-Round Transition Adaptor*	5 Ft. x	(1) =	5 Ft.
Equivalent lengths of duct pieces are based on actual tests and reflect requirements for good venting performance with any vent hood. Total Length =				41 Ft.

***IMPORTANT:** If a rectangular-to-round transition adaptor is used, the bottom corners of the damper will have to be cut to fit, using the tin snips, in order to allow free movement of the damper.

OUTSIDE BACK EXHAUST (EXAMPLE ONLY)

The following chart describes an example of one possible ductwork installation.



DUCT PIECES		EQUIVALENT LENGTH* x	NUMBER USED =	EQUIVALENT LENGTH
	Wall Cap	40 Ft. x	(1) =	40 Ft.
	3 Ft. Straight Duct (3¼" x 10" Rectangular)	3 Ft. x	(1) =	3 Ft.
	90° Elbow	10 Ft. x	(2) =	20 Ft.
Equivalent lengths of duct pieces are based on actual tests and reflect requirements for good venting performance with any vent hood. Total Length =				63 Ft.

NOTE: For back exhaust, care should be taken to align exhaust with space between studs, or wall should be prepared at the time it is constructed by leaving enough space between the wall studs to accommodate exhaust.

1" = 2.5 cm; 1' = 0.3 m

Installation Instructions

NOTE: If you need to install ducts, note that the total duct length of 3¼" x 10" rectangular or 6" diameter round duct **should not exceed 140 equivalent feet.**

Outside ventilation requires a HOOD EXHAUST DUCT. Read the following carefully:

NOTE: It is important that venting be installed using the most direct route and with as few elbows as possible. This ensures clear venting of exhaust and helps prevent blockages. **Also, make sure dampers swing freely and nothing is blocking the ducts.**

Exhaust connection:





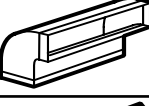



The hood exhaust has been designed to mate with a standard 3¼" x 10" rectangular duct.

If a round duct is required, a rectangular-to-round transition adaptor must be used. **Do not use less than a 6" diameter duct.**

Maximum duct length:

For satisfactory air movement, the total duct length of 3¼" x 10" rectangular or 6" diameter round duct **should not exceed 140 equivalent feet.**

Elbows, transitions, wall and roof caps, etc., present additional resistance to airflow and are equivalent to a section of straight duct which is longer than their actual physical size. When calculating the total duct length, add the equivalent lengths of all transitions and adaptors plus the length of all straight duct sections. The chart below shows you how to calculate total equivalent ductwork length using the approximate feet of equivalent length of some typical duct pieces.

DUCT PIECES	EQUIVALENT LENGTH	x	NUMBER USED	=	EQUIVALENT LENGTH
 Rectangular-to-Round Transition Adaptor*	5 Ft.	x	()	=	Ft.
 Wall Cap	40 Ft.	x	()	=	Ft.
 90° Elbow	10 Ft.	x	()	=	Ft.
 45° Elbow	5 Ft.	x	()	=	Ft.
 90° Elbow	25 Ft.	x	()	=	Ft.
 45° Elbow	5 Ft.	x	()	=	Ft.
 Roof Cap	24 Ft.	x	()	=	Ft.
 Straight Duct 6" Round or 3¼" x 10" Rectangular	1 Ft.	x	()	=	Ft.
Total Ductwork =					Ft.



*** IMPORTANT:** If a rectangular-to-round transition adaptor is used, the bottom corners of the damper will have to be cut to fit, using the tin snips, in order to allow free movement of the damper.

Equivalent lengths of duct pieces are based on actual tests and reflect requirements for good venting performance with any vent hood.

1" = 2.5 cm; 1' = 0.3 m


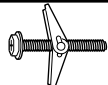



Installation Instructions

DAMAGE – SHIPMENT/ INSTALLATION

- If the unit is damaged in shipment, return the unit to the store in which it was bought for repair or replacement.
- If the unit is damaged by the customer, repair or replacement is the responsibility of the customer.
- If the unit is damaged by the installer (if other than the customer), repair or replacement must be made by arrangement between customer and installer.

PARTS INCLUDED

HARDWARE PACKET

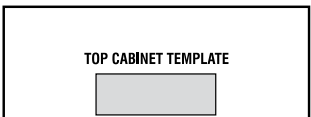
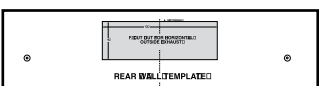
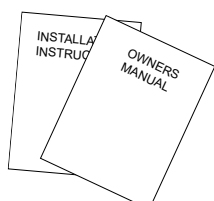
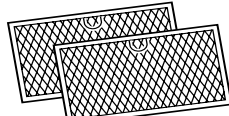
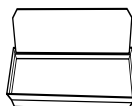
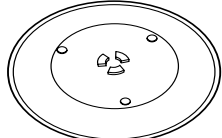
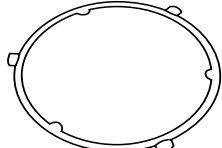
PART		QUANTITY
	Wood Screws (3/16" x 2")	2
	Toggle Bolts (and wing nuts) (1/4" x 3")	4
	Self-aligning Machine Screw (1/4"-28 x 3-1/4")	3
	Nylon Grommet (for metal cabinets)	2
	Power Cord Strap (plastic)	1

You will find the installation hardware contained in a packet with the unit. Check to make sure you have all these parts.

NOTE: Some extra parts are included.

PARTS INCLUDED

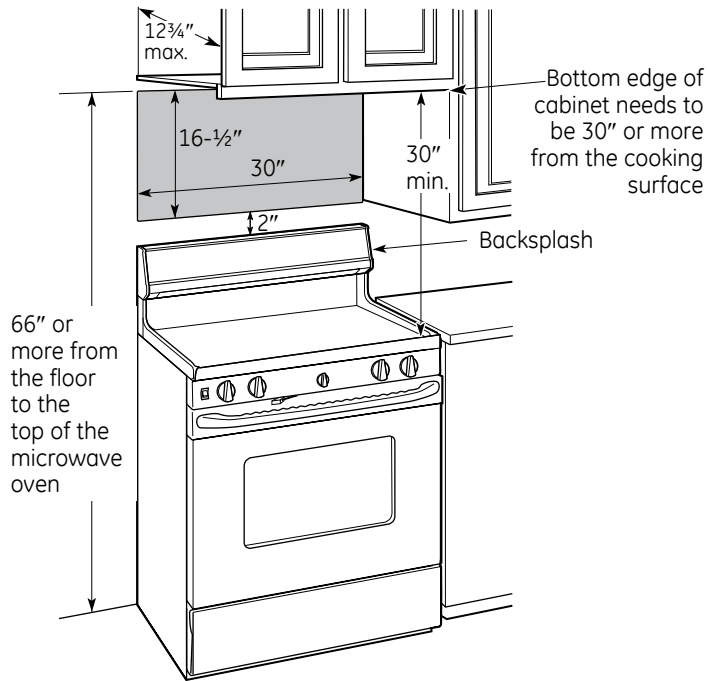
ADDITIONAL PARTS

PART		QUANTITY
	Top Cabinet Template	1
	Rear Wall Template	1
	Installation Instructions and Owners Manual	1 1
	Grease Filters	2
	Exhaust Adaptor	1
	Tray	1
	Turntable Ring	1

1" = 2.5 cm; 1' = 0.3 m

Installation Instructions

MOUNTING SPACE



NOTES:

- The space between the cabinets must be 30" wide and free of obstructions.
- If the space between the cabinets is greater than 30", a Filler Panel Kit may be used to fill in the gap between the microwave oven and the cabinets. Your Owner's Manual contains the kit number for your model.
- This microwave oven is for installation over ranges up to 36" wide.
- If you are going to vent your microwave oven to the outside, see Hood Exhaust Section for exhaust duct preparation.
- When installing the microwave oven beneath smooth, flat cabinets, be careful to follow the instructions on the top cabinet template for power cord clearance.
- **Maximum cabinet depth above and beside the unit is 12 $\frac{3}{4}$ ".**
- For models setup in Recirc Exhaust: Do not allow cabinetry or other objects to block the airflow of the vent.
- The product should not be installed over any cooktop or range with a combined BTU greater than 66,000 BTU.

1" = 2.5 cm; 1' = 0.3 m

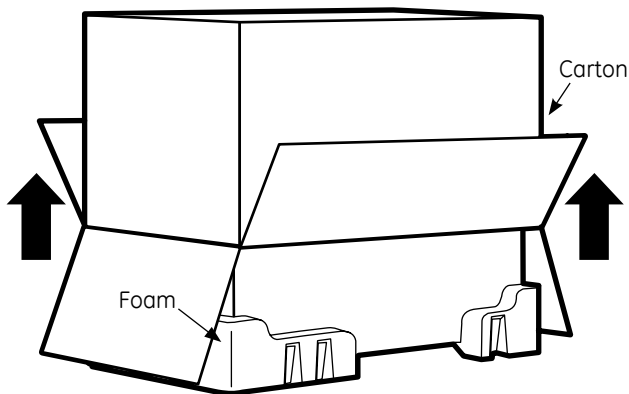
Installation Instructions

1 PLACEMENT OF THE MOUNTING PLATE

A REMOVING THE MICROWAVE OVEN FROM THE CARTON/ REMOVING THE MOUNTING PLATE

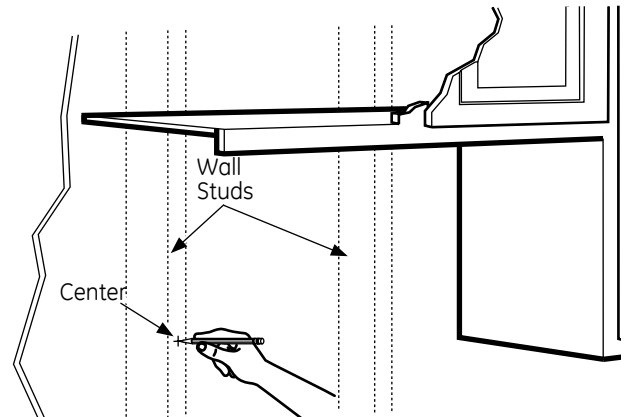
- 1 Open the box and fold back all four carton flaps fully against the carton sides. Remove the following items from the protective foam: installation instructions, filters, exhaust adaptor, damper, and the small hardware bag. Do not remove the foam protecting the front of the microwave oven.

- 2 Then carefully roll the microwave oven and carton over onto the top side. The microwave oven should be resting in the foam.



- 3 Pull the carton up and off the microwave oven.
- 4 The mounting plate is attached to the back of the microwave oven. Remove the two screws holding it to the microwave oven. The plate will be used as the rear wall template and for mounting the microwave oven to the wall.
- 5 Set the microwave oven upright. Remove and properly discard plastic bags and foam.
- 6 Open the microwave oven door and remove the plastic sheet and tape from inside the microwave oven door. Remove the tape covering the turntable hub.

B FINDING THE WALL STUDS



- 1 Find the studs, using one of the following methods:
 - A. Stud finder.

OR

 - B. Use a hammer to tap lightly across the mounting surface to find a solid sound. This will indicate a stud location.
 - 2 After locating the stud(s), find the center by probing the wall with a small nail to find the edges of the stud. Then place a mark halfway between the edges. The center of any adjacent studs should be 16" or 24" from this mark.
 - 3 Draw a line down the center of the studs.
- IMPORTANT:** The microwave must be connected to at least one wall stud.

1" = 2.5 cm; 1' = 0.3 m

Installation Instructions

C DETERMINING MOUNTING PLATE LOCATION UNDER YOUR CABINET

Plate Position – flat bottom cabinet

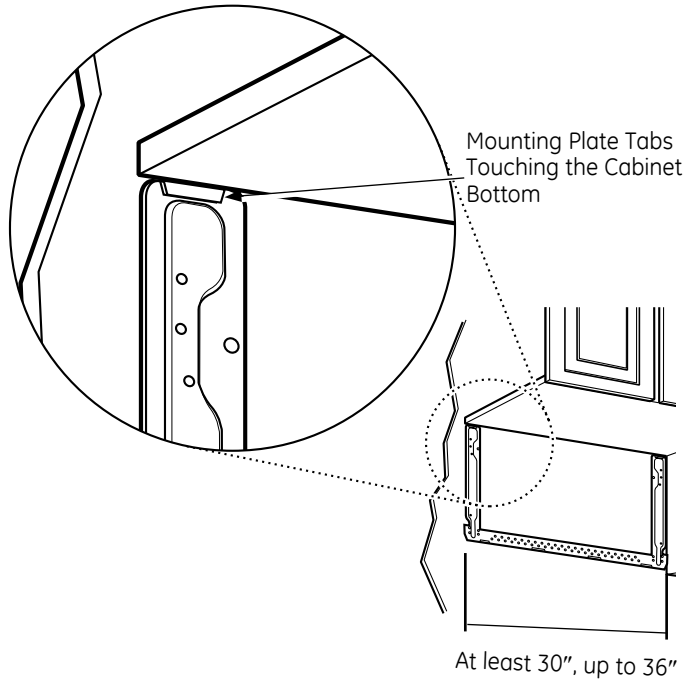


Plate Position – recessed cabinet bottom

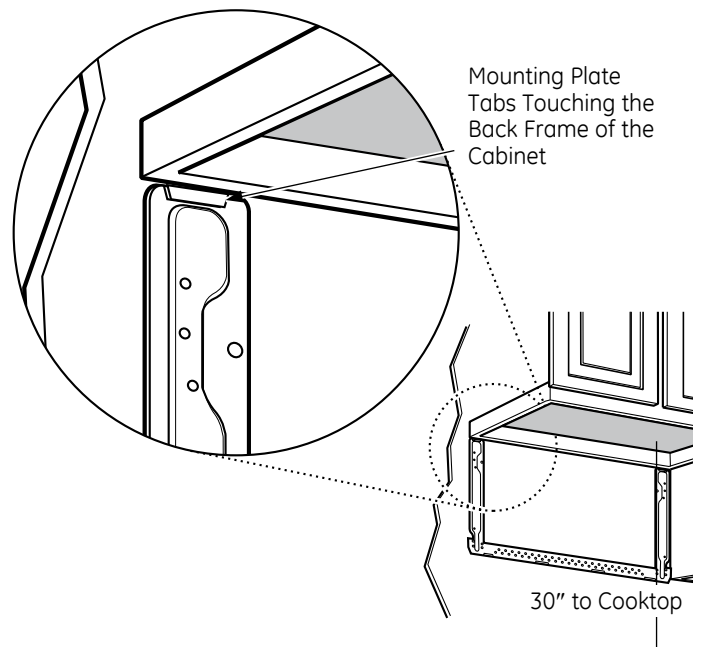
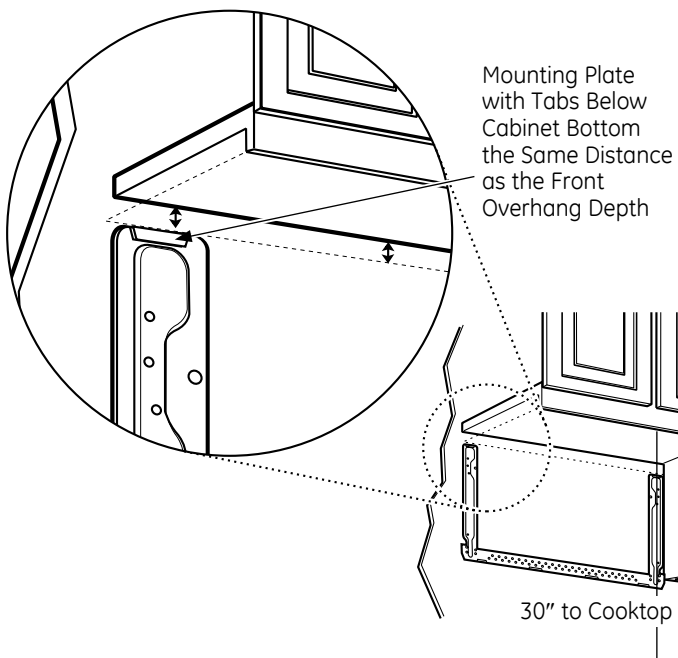


Plate Position – cabinet with front overhang



Your cabinets may have decorative trim that interferes with the microwave oven installation. You may need to remove the decorative trim to install the microwave oven properly and to make it level.

THE MICROWAVE OVEN MUST BE LEVEL.

Use a level to make sure the cabinet bottom is level.

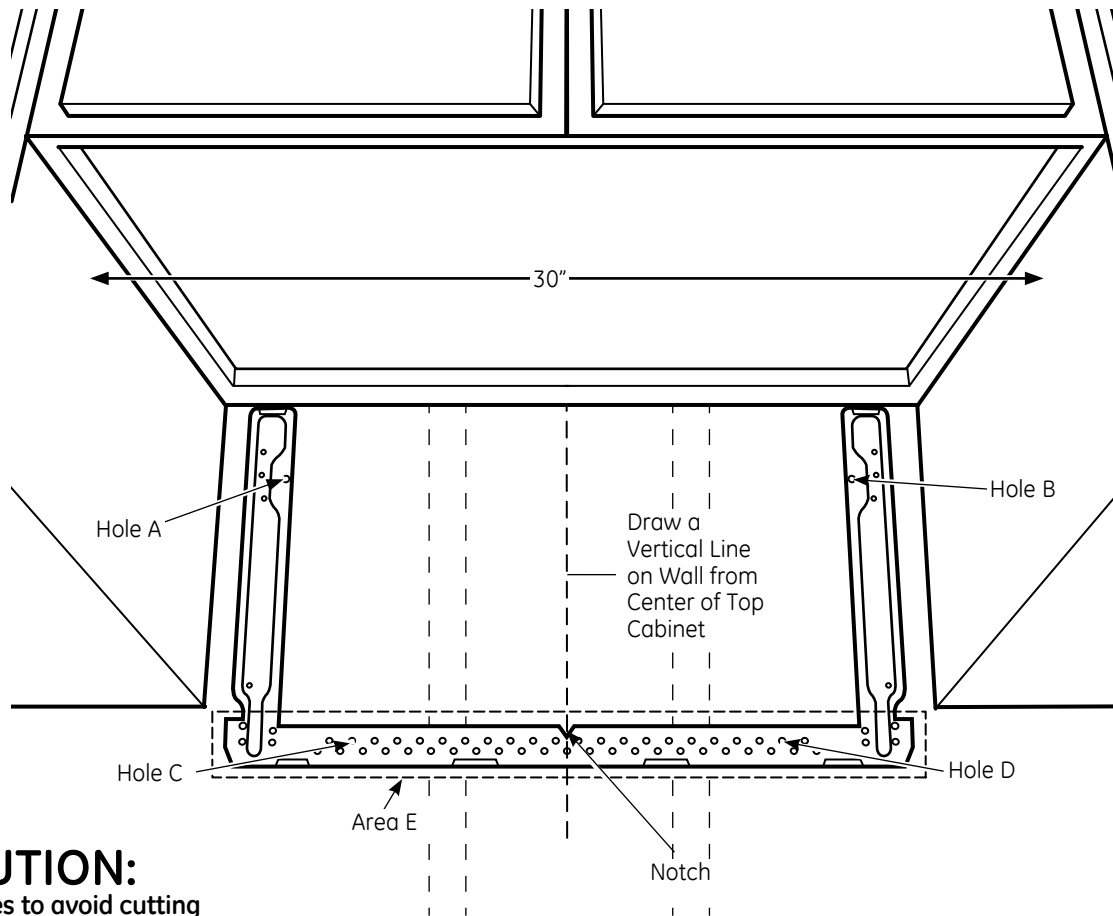
If the cabinets have a front overhang, install the mounting plate down the same distance as the front overhang depth. This will keep the microwave oven level.

- 1 Measure the inside depth of the front overhang.
- 2 Draw a horizontal line on the back wall an equal distance below the cabinet bottom as the inside depth of the front overhang.
- 3 For this type of installation with front overhang, align the mounting tabs with this horizontal line, not touching the cabinet bottom as described in Step D.

1" = 2.5 cm; 1' = 0.3 m

Installation Instructions

D ALIGNING THE MOUNTING PLATE



CAUTION:

Wear gloves to avoid cutting fingers on sharp edges.

- 1 Draw a vertical line on the wall at the center of the 30" wide space.
- 2 Use the mounting plate **as the template** for the rear wall. Place the mounting plate on the wall, making sure that the tabs are **touching the bottom of the cabinet or the level line drawn in Step C for cabinets with front overhang**. Line up the notch and center line on the mounting plate to the center line on the wall.
- 3 While holding the mounting plate with one hand, draw circles on the wall at holes A, B, C, and D (see illustration above/actual plate marked with arrows). **Four holes must be used for mounting.**

NOTE: Holes C and D are inside area E. If neither C nor D is in a stud, find a stud somewhere in area E and draw a fifth circle to line up with the stud. It is important to use **at least one wood screw** mounted **firmly in a stud** to support the weight of the microwave oven.

Set the mounting plate aside.

WARNING: Risk of electric shock. Can cause injury or death. Take care to not drill into electrical wiring inside walls or cabinets.

- 4 Drill holes on the circles. If there is a stud, drill a $\frac{3}{16}$ " hole for wood screws. For holes that don't line up with a stud, drill a $\frac{5}{8}$ " hole for toggle bolts.

NOTE: DO NOT MOUNT THE PLATE AT THIS TIME.

1" = 2.5 cm; 1' = 0.3 m

Installation Instructions

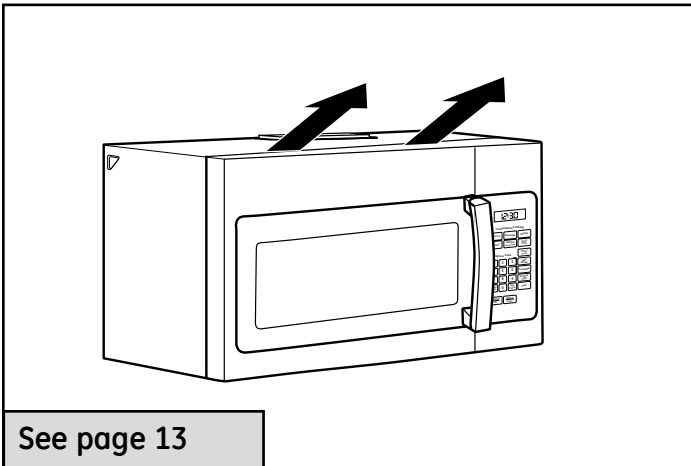
2 INSTALLATION TYPES (Choose A, B or C)

This microwave oven is designed for adaptation to the following 3 types of ventilation:

- A. Recirculating (Non-Vented Ductless)
- B. Outside Top Exhaust (Vertical Duct)
- C. Outside Back Exhaust (Horizontal Duct)

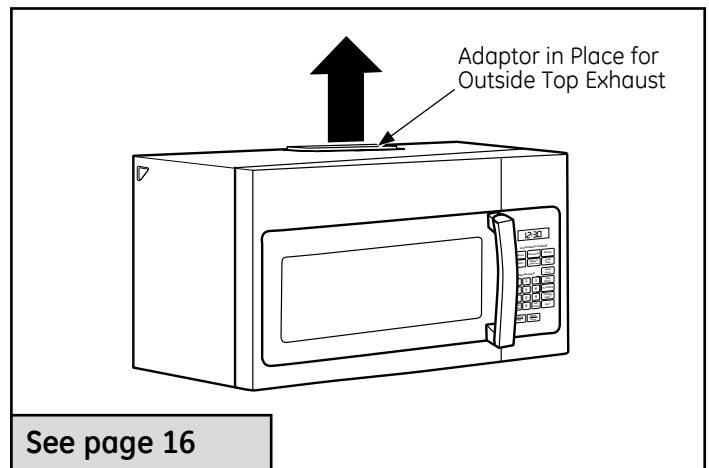
NOTE: This microwave oven is shipped assembled for Recirculating. Select the type of ventilation required for your installation and proceed to that section.

A RECIRCULATING (NON-VENTED DUCTLESS)

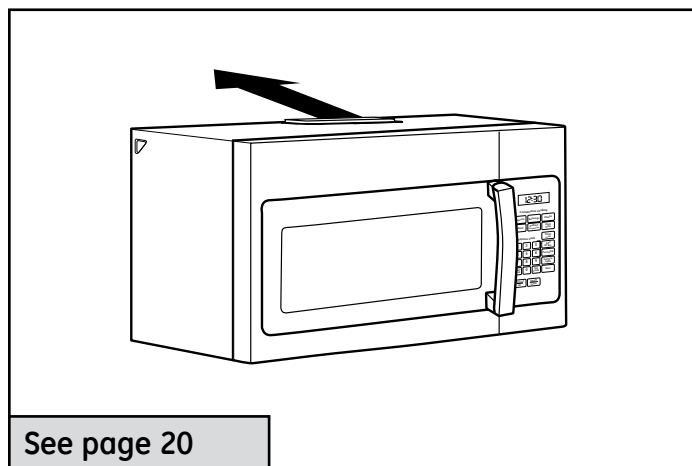


A Charcoal Filter Accessory Kit is required for the non-vented exhaust. (See your Owner's Manual for the kit number.)

B OUTSIDE TOP EXHAUST (VERTICAL DUCT)



C OUTSIDE BACK EXHAUST (HORIZONTAL DUCT)

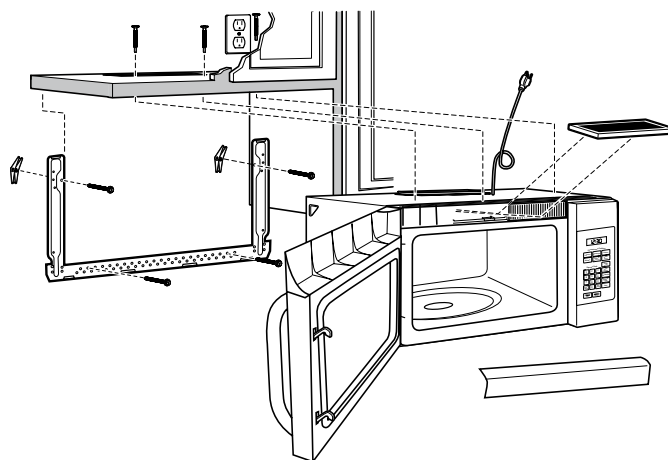


Installation Instructions

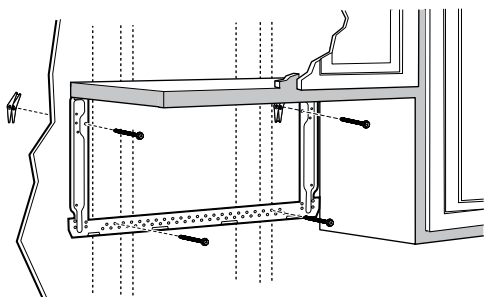
A RECIRCULATING (Non-Vented Ductless)

INSTALLATION OVERVIEW

- A1. Attach Mounting Plate to Wall
- A2. Prepare Top Cabinet
- A3. Install Charcoal Filter (Supplied with JNM3161 and JVM3160 models)
- A4. Mount the microwave oven
- A5. Installing/Replacing the Charcoal Filter Without Access to Top Screws and the Unit Has Already Been Mounted.



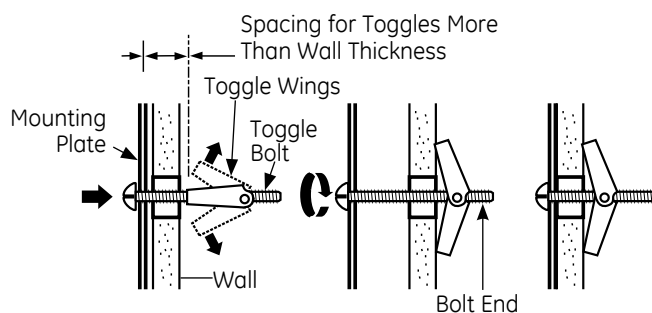
A1 ATTACH THE MOUNTING PLATE TO THE WALL



Attach the plate to the wall using toggle bolts. At least one wood screw must be used to attach the plate to a wall stud.

- 1 Remove the toggle wings from the bolts.
- 2 Insert the bolts into the mounting plate through the holes designated to go into drywall and reattach the toggle wings to $\frac{3}{4}$ " onto each bolt.

To use toggle bolts:



- 3 Place the mounting plate against the wall and insert the toggle wings into the holes in the wall to mount the plate.

NOTE: Before tightening toggle bolts and wood screw, make sure the tabs on the mounting plate touch the bottom of the cabinet or the horizontal level line when pushed flush against the wall and that the plate is properly centered under the cabinet.

CAUTION: Be careful to avoid pinching fingers between the back of the mounting plate and the wall.

- 4 Tighten all bolts. Pull the plate away from the wall to help tighten the bolts.

A2 USE TOP CABINET TEMPLATE FOR PREPARATION OF TOP CABINET

You need to drill holes for the top support screws and a hole large enough for the power cord to fit through.



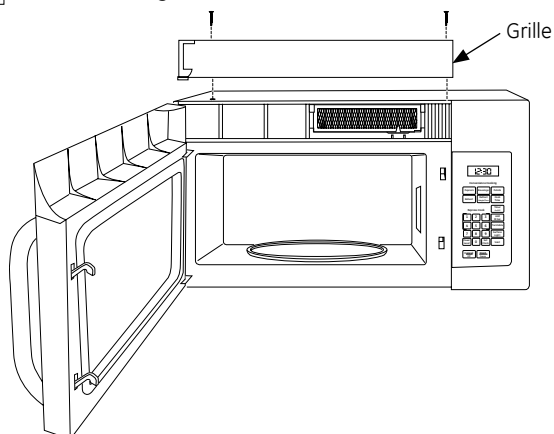
- Read the instructions on the TOP CABINET TEMPLATE.
- Tape it underneath the top cabinet.
- Drill the holes, following the instructions on the TOP CABINET TEMPLATE.

CAUTION: Wear safety goggles when drilling holes in the cabinet bottom.

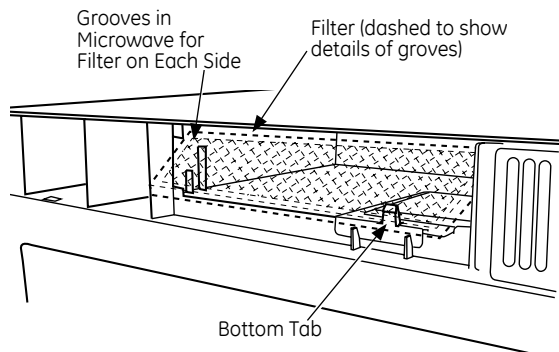
Installation Instructions

A3 INSTALLING THE CHARCOAL FILTER

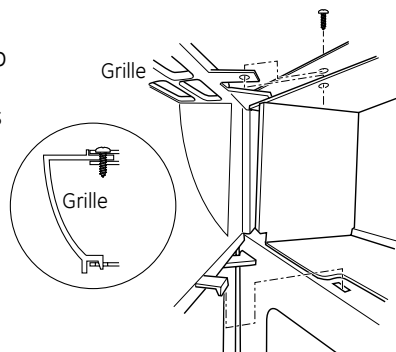
- 1 Remove 2 screws on top of microwave oven, just above the grille panel, using a Phillips screwdriver. If two screws are not accessible, see section A6.
- 2 Open the door.
- 3 Remove the grille.



- 4 Insert the top of the filter up and into the grooves on both sides of the inside of the top opening. Once you have cleared the bottom tab, push the bottom of the filter in until it rests in place behind the tab.

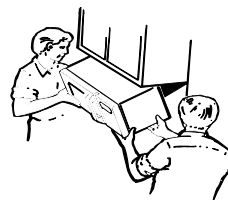


- 5 Replace the grille by inserting the top grill flange into the slots in the case as shown.



- 6 Replace the 2 top screws.
- 7 Close the door.

A4 MOUNT THE MICROWAVE OVEN



CAUTION: To avoid the risk of personal injury (back injury or other injuries due to excessive weight of the microwave) or property damage, you will need two people to install this microwave.

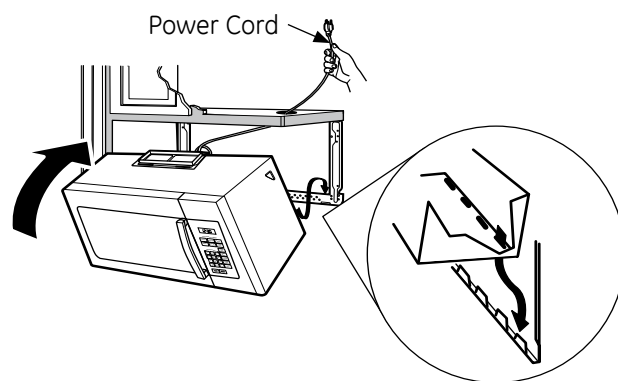
IMPORTANT: Do not grip or use handle during installation.

WARNING: Risk of Electric Shock. Can cause injury or death: If installing unit with metal countertops, cover the edge of the power supply cord hole with the power supply cord bushing.

IMPORTANT: If filler blocks are not used, case damage may occur from overtightening screws.

NOTE: When mounting the microwave, thread power cord through hole in bottom of top cabinet. Keep it tight throughout Steps 1-3. Do not pinch cord or lift microwave oven by pulling cord.

- 1 Lift microwave, tilt it forward, and hook slots at back bottom edge onto four lower tabs of mounting plate.

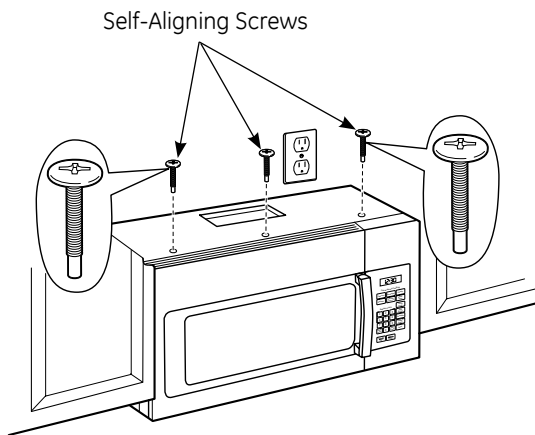
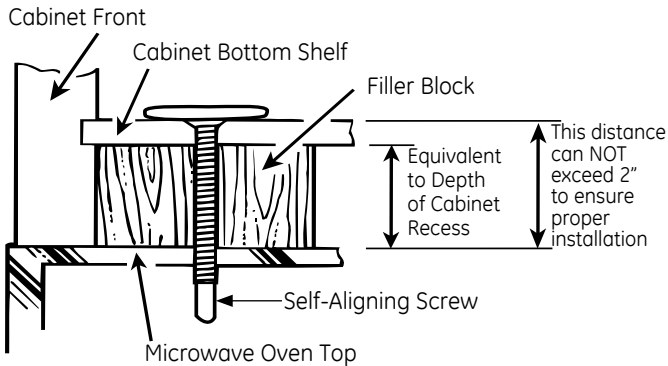


- 2 Rotate front of microwave oven up against cabinet bottom.

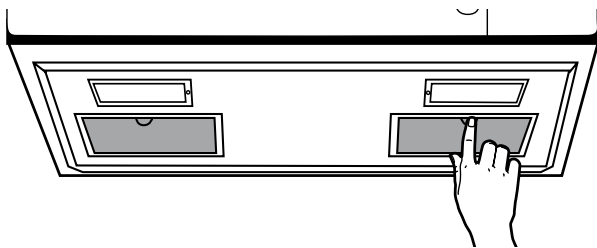
Installation Instructions

A4 MOUNT THE MICROWAVE OVEN (cont.)

- 3** Insert 3 self-aligning screws ($\frac{1}{4}$ "-28 x $2\frac{1}{4}$ ") through outer top cabinet holes. Turn two full turns on each screw.



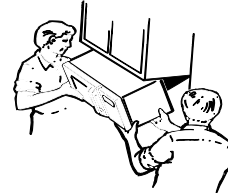
- 4** Tighten the three screws to the top of the microwave oven. (While tightening screws, hold the microwave oven in place against the wall and the top cabinet.)
- 5** Install grease filters. See the Owner's Manual packed with the microwave oven.



1" = 2.5 cm; 1' = 0.3 m

A5 INSTALLING/REPLACING THE CHARCOAL FILTER WITHOUT ACCESS TO TOP SCREWS AND THE UNIT HAS ALREADY BEEN MOUNTED

DISMOUNT THE MICROWAVE OVEN



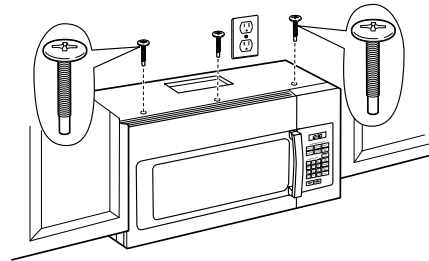
CAUTION: To avoid the risk of personal injury (back injury or other injuries due to excessive weight of the microwave) or property damage, you will need two people to uninstall this microwave.

IMPORTANT: Do not grip or use handle during removal.

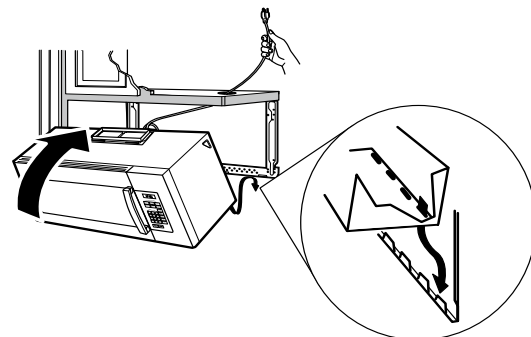
WARNING: Risk of Electric Shock. Can cause injury or death: If removing unit with metal countertops, cover the edge of the power supply cord hole with the power supply cord (nylon grommet).

IMPORTANT: If filler blocks are not used, case damage may occur from overtightening screws.

- 1** Loosen the 3 screws on the top of the microwave oven (inside the cabinet).



- 2** Lift microwave, tilt it forward and unhook slots at back bottom edge from the four lower tabs of the mounting plate.



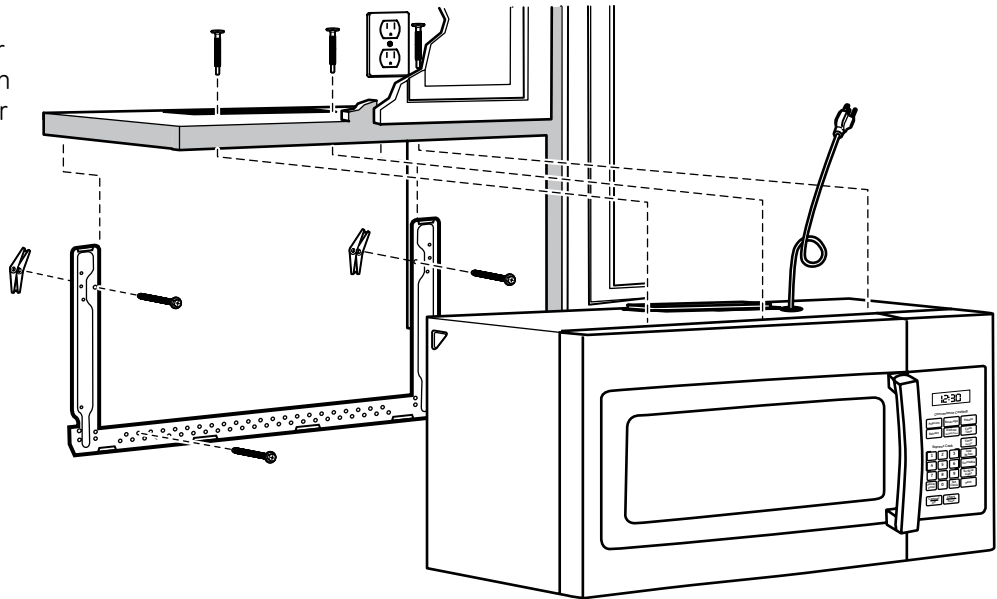
- 3** Replace the filter using instructions from section A3.
- 4** Reinstall unit following instructions from A4.

Installation Instructions

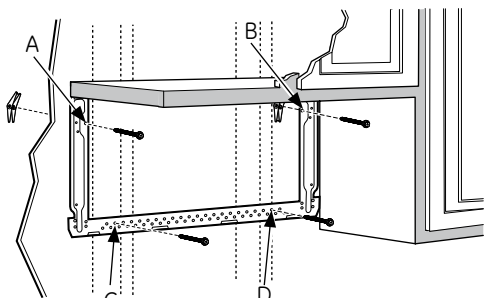
B OUTSIDE TOP EXHAUST (Vertical Duct)

INSTALLATION OVERVIEW

- B1. Attach Mounting Plate to Wall
- B2. Prepare Top Cabinet
- B3. Adjust Blower Motor
- B4. Install Exhaust Adaptor
- B5. Mount Microwave Oven
- B6. Adjust Exhaust Adaptor
- B7. Connect Ductwork



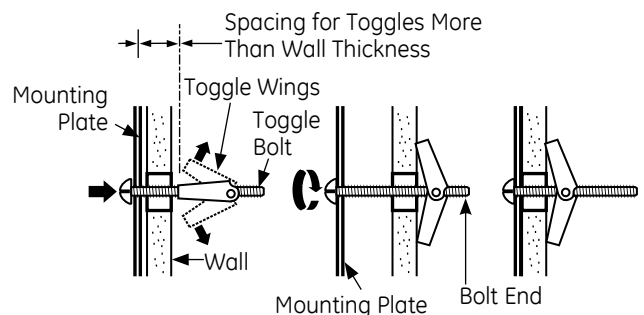
B1 ATTACH THE MOUNTING PLATE TO THE WALL



Attach the plate to the wall using toggle bolts. At least one wood screw must be used to attach the plate to a wall stud. Recommended locations on the mounting plate are indicated by A, B, C and D.

- 1 Remove the toggle wings from the bolts.
- 2 Insert the bolts into the mounting plate through the holes designated to go into drywall and reattach the toggle wings to $\frac{3}{4}$ " onto each bolt.

To use toggle bolts:



- 3 Insert the toggle wings into the holes in the wall and place the mounting plate against the wall.

NOTE: Before tightening toggle bolts and wood screw, make sure the tabs on the mounting plate touch the bottom of the cabinet when pushed flush against the wall and that the plate is properly centered under the cabinet.

CAUTION: Be careful to avoid pinching fingers between the back of the mounting plate and the wall.

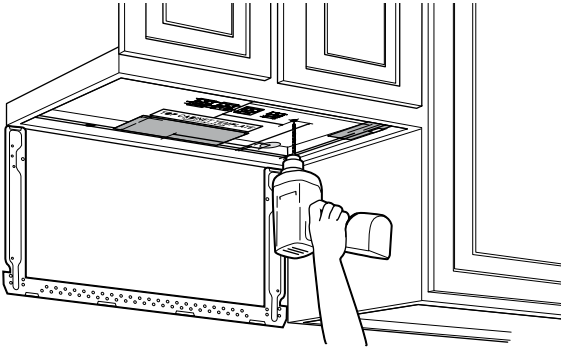
- 4 Tighten all bolts. Pull the plate away from the wall to help tighten the bolts.

1" = 2.5 cm; 1' = 0.3 m

Installation Instructions

B2 USE TOP CABINET TEMPLATE FOR PREPARATION OF TOP CABINET

You need to drill holes for the top support screws, a hole large enough for the power cord to fit through, and a cutout large enough for the exhaust adaptor.



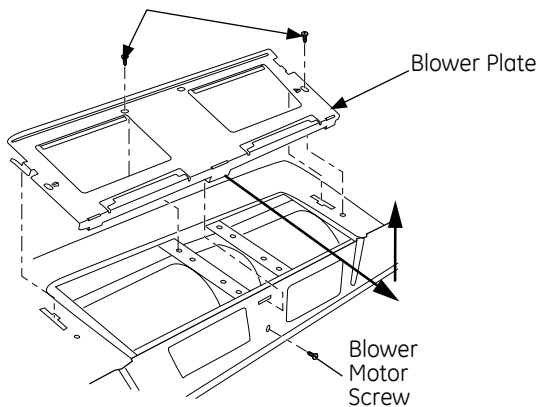
- Read the instructions on the TOP CABINET TEMPLATE.
- Tape it underneath the top cabinet.
- Drill the holes, following the instructions on the TOP CABINET TEMPLATE.

CAUTION: Wear safety goggles when drilling holes in the cabinet bottom.

B3 ADJUST BLOWER MOTOR

- 1 Remove the screws holding the blower unit and the screws securing the blower plate. Remove the blower plate from the outer case by sliding it toward the back of the microwave and pulling up.

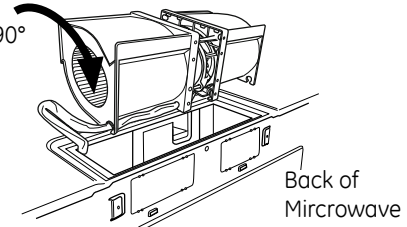
Blower Motor Screws



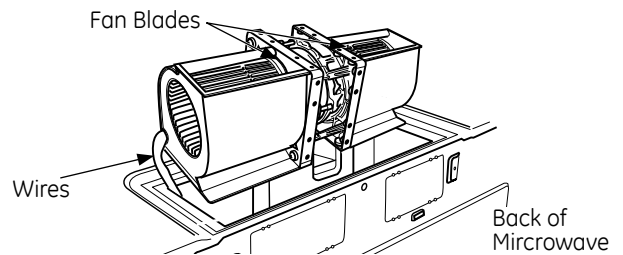
- 2 Carefully pull out the blower unit. The wires will extend far enough to allow you to adjust the blower unit.

B3 ADJUST BLOWER MOTOR (cont.)

Rotate 90°



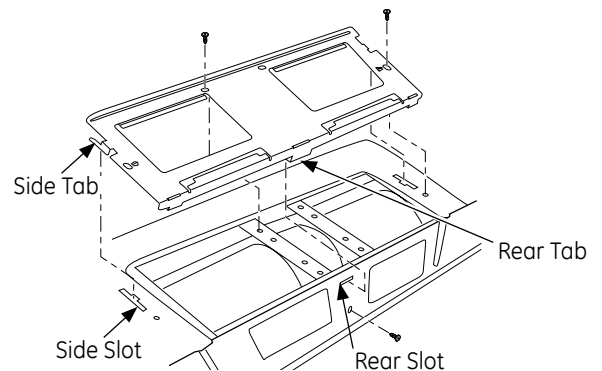
- 3 Roll the blower so that fan blade openings are facing the top of the oven. Place the blower back into the opening.



Note: Make sure the wires remain routed through the openings in the motor frame. To avoid damage to the fan motor wiring, insert motor carefully such that the fan motor wiring does not contact the microwave power cord bracket.

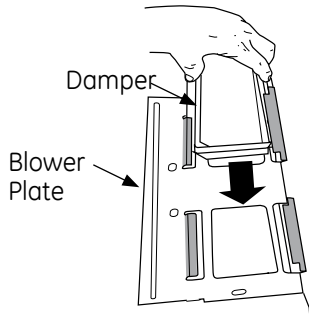
WARNING: Risk of Electric Shock. Can cause injury or death. Do not pull or stretch the blower unit wiring. Make sure the wires are not pinched.

- 4 Slide the blower plate back onto the microwave by placing the side tabs into the slots and pushing gently until the back tab is seated into the rear slot. Replace 3 screws.



Installation Instructions

B4 ASSEMBLE AND INSTALL ADAPTOR

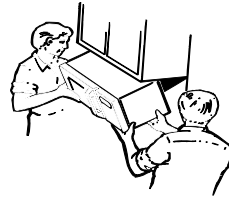


- 1 Place the microwave oven in its upright position, with the top of the unit facing up and the front of the unit facing toward you.
- 2 Remove the screw on the back side of the blower plate and raise the blower plate off of the microwave.
- 3 Slide the damper from left to right into the tabs on the blower plate. The yellow tape on the damper should be facing away from you.
- 4 Remove the yellow tape from the damper. **Make sure that the damper pivots easily before mounting microwave oven.**

You will need to make adjustments to assure proper alignment with your house exhaust duct after the microwave oven is installed.

- 5 Position the blower plate with damper back on the microwave and secure it with the screws that were removed.

B5 MOUNT THE MICROWAVE OVEN



⚠ CAUTION: To avoid the risk of personal injury (back injury or other injuries due to excessive weight of the microwave) or property damage, you will need two people to install this microwave.

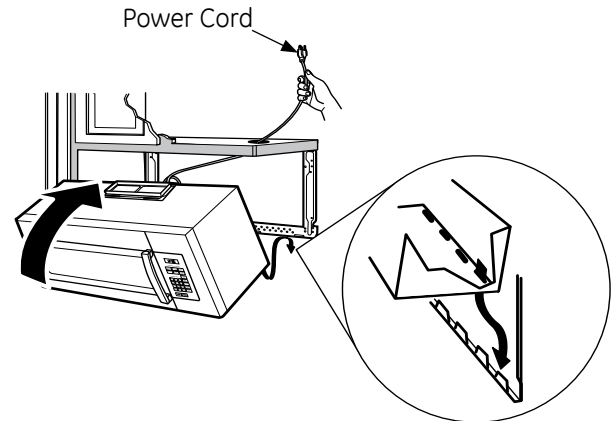
IMPORTANT: Do not grip or use handle during installation.

⚠ WARNING: Risk of Electric Shock. Can cause injury or death: If installing unit with metal countertops, cover the edge of the power supply cord hole with the power supply cord bushing.

IMPORTANT: If filler blocks are not used, case damage may occur from overtightening screws.

NOTE: When mounting the microwave, thread power cord through hole in bottom of top cabinet. Keep it tight throughout Steps 1-3. Do not pinch cord or lift microwave oven by pulling cord.

- 1 Lift microwave, tilt it forward, and hook slots at back bottom edge onto four lower tabs of mounting plate.

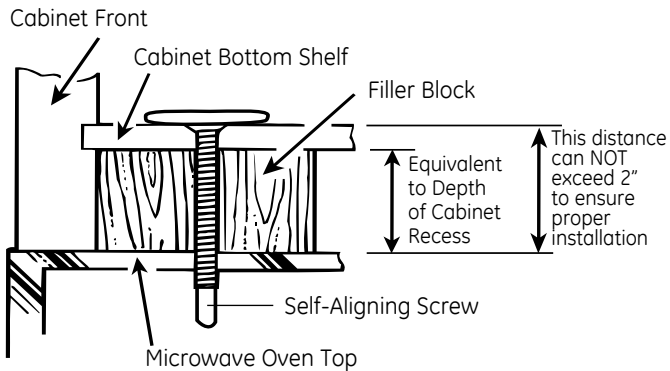
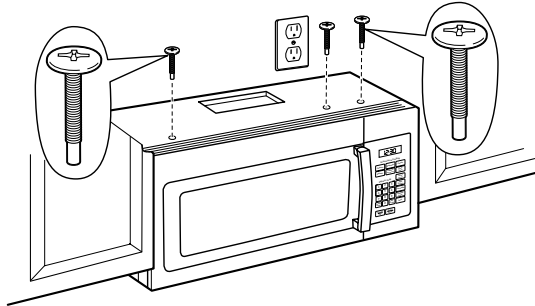


- 2 Rotate front of microwave oven up against cabinet bottom.

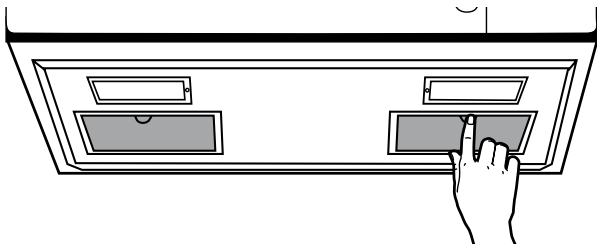
Installation Instructions

B5 MOUNT THE MICROWAVE OVEN (cont.)

- 3 Insert a self-aligning screw through top-center cabinet hole. Temporarily secure the microwave oven by turning the screw at least **two full turns** after the threads have engaged. (It will be completely tightened later.) Insert 2 self-aligning screws (1/4"-28 x 2 1/4") through outer top cabinet holes. Turn two full turns on each screw.

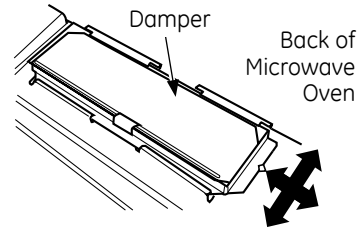


- 4 Tighten the three screws to the top of the microwave oven. (While tightening screws, hold the microwave oven in place against the wall and the top cabinet.)
- 5 Install grease filters. See the Owner's Manual packed with the microwave oven.

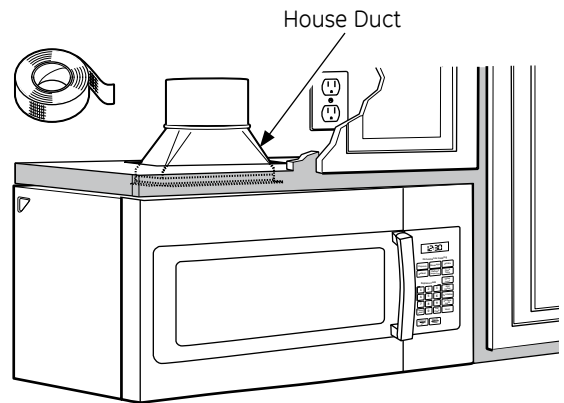


A5 ADJUST THE EXHAUST ADAPTOR

Open the top cabinet and adjust the exhaust adaptor to connect to the house duct.



A6 CONNECTING DUCTWORK



- 1 Extend the house duct down to connect to the exhaust adaptor.
- 2 Seal exhaust duct joints using duct tape.

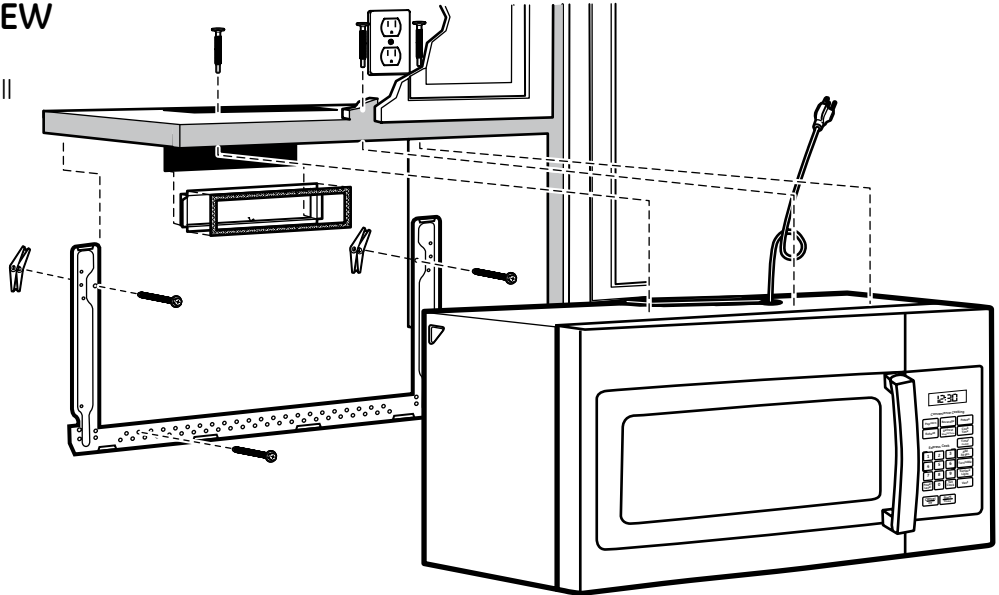
1" = 2.5 cm; 1' = 0.3 m

Installation Instructions

C OUTSIDE BACK EXHAUST (Horizontal Duct)

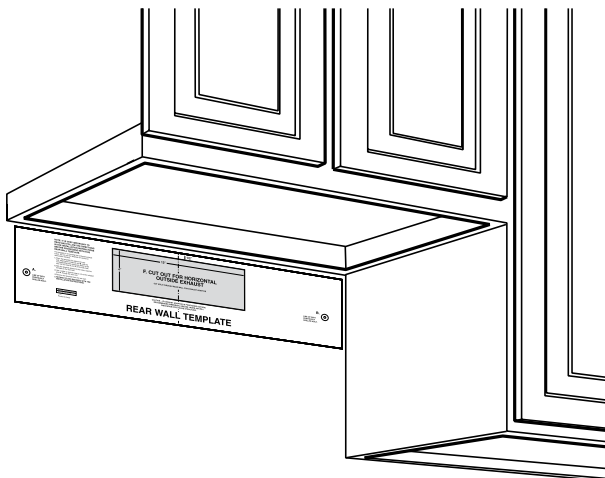
INSTALLATION OVERVIEW

- C1. Prepare Rear Wall
- C2. Attach Mounting Plate to Wall
- C3. Prepare Top Cabinet
- C4. Adjust Blower
- C5. Mount the Microwave Oven



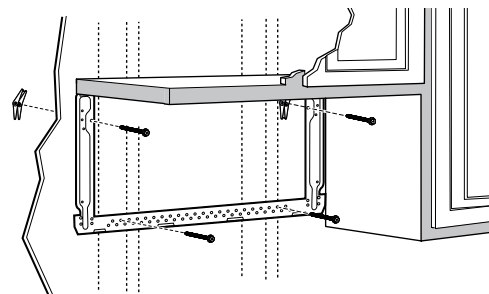
C1 PREPARING THE REAR WALL FOR OUTSIDE BACK EXHAUST

You need to cut an opening in the rear wall for outside exhaust.



- Read the instructions on the REAR WALL TEMPLATE.
- Tape it to the rear wall, lining up with the holes previously drilled for holes A and B in the mounting plate.
- Cut the opening, following the instructions of the REAR WALL TEMPLATE.

C2 ATTACH THE MOUNTING PLATE TO THE WALL



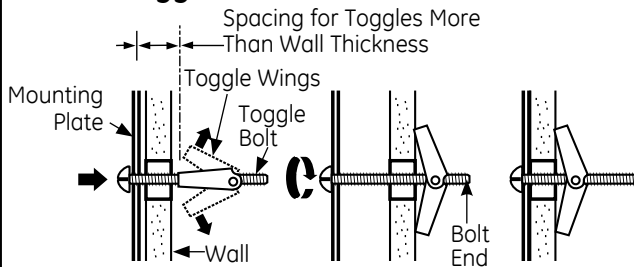
Attach the plate to the wall using toggle bolts. At least one wood screw must be used to attach the plate to a wall stud.

- 1 Remove the toggle wings from the bolts.
- 2 Insert the bolts into the mounting plate through the holes designated to go into drywall and reattach the toggle wings to $\frac{3}{4}$ " onto each bolt.

Installation Instructions

C2 ATTACH THE MOUNTING PLATE TO THE WALL (cont.)

To use toggle bolts:



- Place the mounting plate against the wall and insert the toggle wings into the holes in the wall to mount the plate.

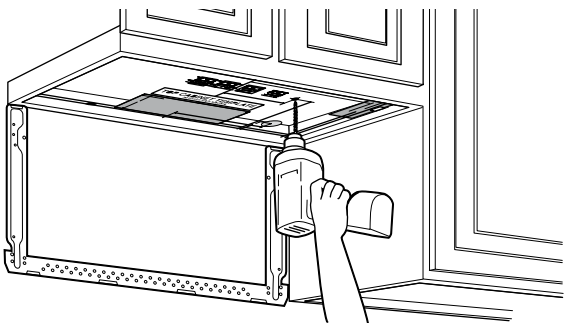
NOTE: Before tightening toggle bolts and wood screw, make sure the tabs on the mounting plate touch the bottom of the cabinet when pushed flush against the wall and that the plate is properly centered under the cabinet.

CAUTION: Be careful to avoid pinching fingers between the back of the mounting plate and the wall.

- Tighten all bolts. Pull the plate away from the wall to help tighten the bolts.

C3 USE TOP CABINET TEMPLATE FOR PREPARATION OF TOP CABINET

You need to drill holes for the top support screws and a hole large enough for the power cord to fit through.



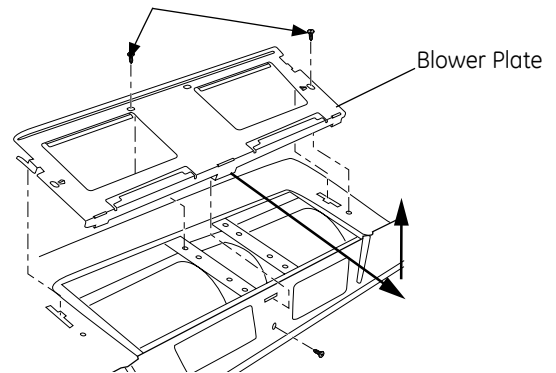
- Read the instructions on the TOP CABINET TEMPLATE.
- Tape it underneath the top cabinet.
- Drill the holes, following the instructions on the TOP CABINET TEMPLATE.

CAUTION: Wear safety goggles when drilling holes in the cabinet bottom.

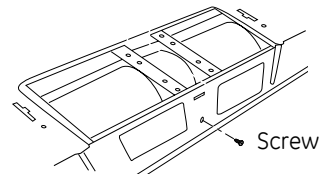
C4 ADAPTING BLOWER FOR OUTSIDE BACK EXHAUST

- Remove the blower motor screws that holds the blower plate to the microwave oven. Slide the plate toward the back of the microwave and lift up to remove.

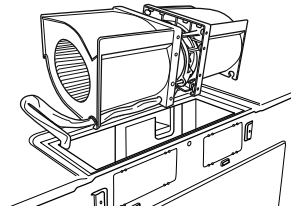
Blower Motor Screws



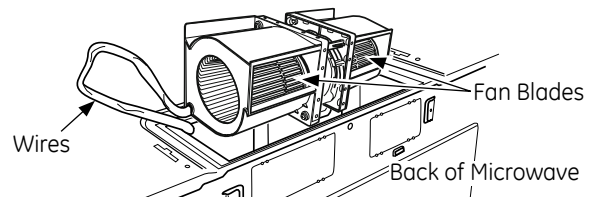
- Remove screw on the back of the unit.



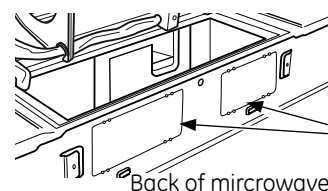
- Carefully remove fan from cavity. Remove the wire from the notch at the bottom of the fan after it is removed from the cavity.



- The fan needs to be turned 180 degrees to the right to be in the correct orientation, keeping the blower part of the fan where the air comes out at the top of the fan. The wire needs to be reinserted into the cage housing once it has been oriented correctly.



- Remove the knockout plates in the back of the unit with snips.

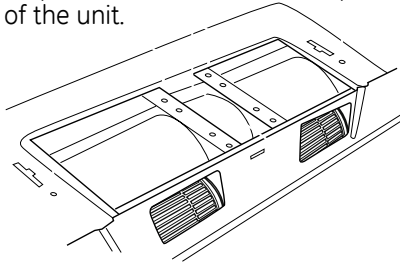


Knockout Plates: Snip all 4 webs on each knockout panel and remove the metal knockouts for rear airflow. Please take care to remove any sharp edges created from removing the knockout plates.

Installation Instructions

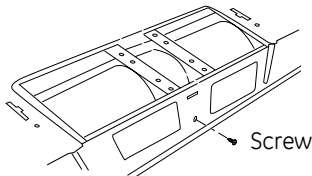
C4 ADAPTING BLOWER FOR OUTSIDE BACK EXHAUST (cont.)

- 6 Gently place the fan back into the cavity with the exhaust portion of the fan at the top and facing the back of the unit.

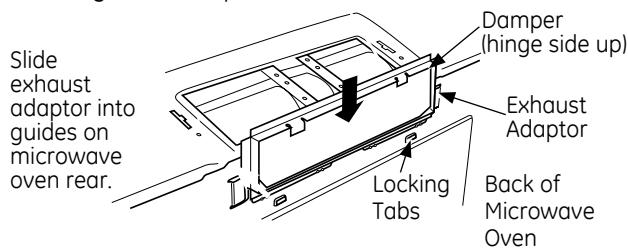


Note: Make sure the wires remain routed through the openings in the motor frame. To avoid damage to the fan motor wiring, insert motor carefully such that the fan motor wiring does not contact the microwave power cord bracket.

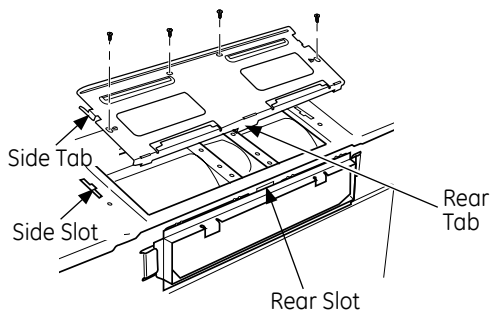
- 7 Replace screw on the back of the unit.



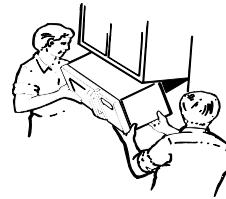
- 8 Slide the vent damper on back of the unit with the hinge at the top.



- 9 Replace the vent cover on the unit and secure it to the unit by replacing the two screws that were removed, with one in the middle hole and one on either side.



C5 MOUNT THE MICROWAVE OVEN



CAUTION: To avoid the risk of personal injury (back injury or other injuries due to excessive weight of the microwave) or property damage, you will need two people to install this microwave.

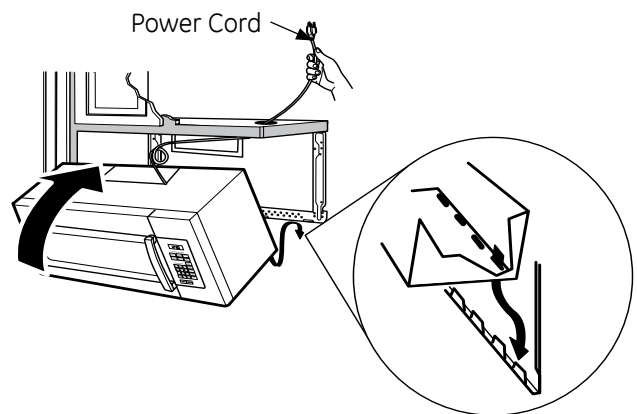
IMPORTANT: Do not grip or use handle during installation.

WARNING: Risk of Electric Shock. Can cause injury or death: If installing unit with metal countertops, cover the edge of the power supply cord hole with the power supply cord bushing.

IMPORTANT: If filler blocks are not used, case damage may occur from overtightening screws.

NOTE: When mounting the microwave, thread power cord through hole in bottom of top cabinet. Keep it tight throughout Steps 1-3. Do not pinch cord or lift microwave oven by pulling cord.

- 1 Lift microwave, tilt it forward, and hook slots at back bottom edge onto four lower tabs of mounting plate.

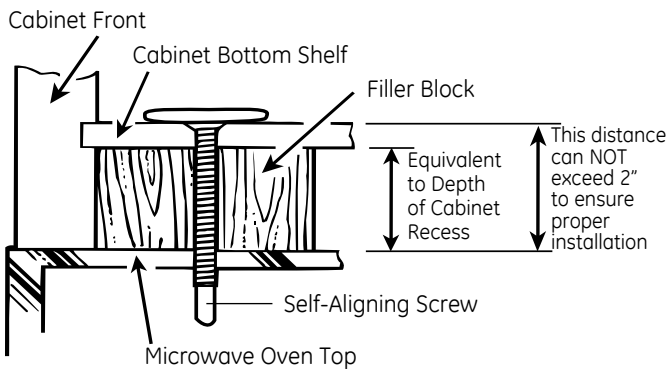
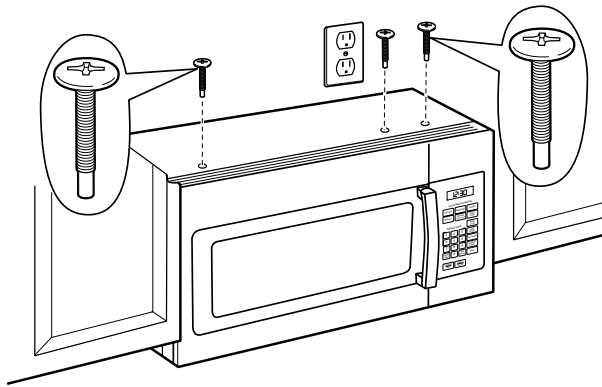


- 2 Rotate front of microwave oven up against cabinet bottom.

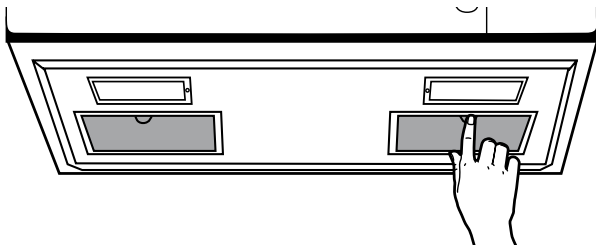
Installation Instructions

C5 MOUNT THE MICROWAVE OVEN (cont.)

- 3 Insert a self-aligning screw through top-center cabinet hole. Temporarily secure the microwave oven by turning the screw at least **two full turns** after the threads have engaged. (It will be completely tightened later.) Insert 2 self-aligning screws ($\frac{1}{4}$ "-28 x $2\frac{1}{4}$ ") through outer top cabinet holes. Turn two full turns on each screw.



- 4 Tighten the three screws to the top of the microwave oven. (While tightening screws, hold the microwave oven in place against the wall and the top cabinet.)
- 5 Install grease filters. See the Owner's Manual packed with the microwave oven.

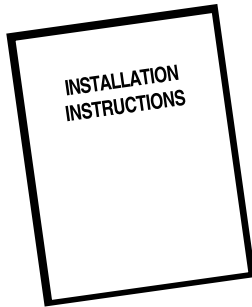


1" = 2.5 cm; 1' = 0.3 m

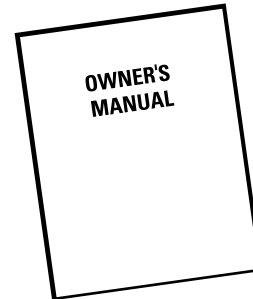
Installation Instructions

BEFORE YOU USE YOUR MICROWAVE OVEN

- 1** Make sure the microwave oven has been installed according to instructions.



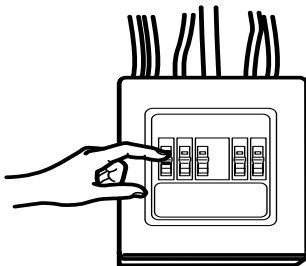
- 6** Read the Owner's Manual.



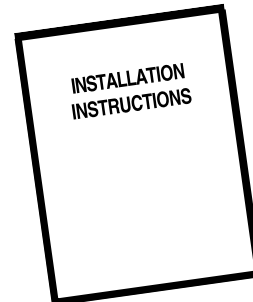
- 2** Remove all packing material from the microwave oven.

- 3** Install turntable and turntable ring in cavity.

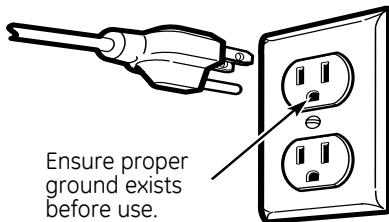
- 4** Replace house fuse or turn breaker back on.



- 7** KEEP INSTALLATION INSTRUCTIONS FOR THE LOCAL INSPECTOR'S USE.



- 5** **120 V Models:** Plug power cord into a dedicated 15- to 20-amp electrical outlet.



Ensure proper ground exists before use.

Where a standard two-prong wall receptacle is encountered, it is very important to have it replaced with a properly grounded three-prong wall receptacle, installed by a qualified electrician.

Instructions d'installation

Four à micro-ondes à hotte intégrée

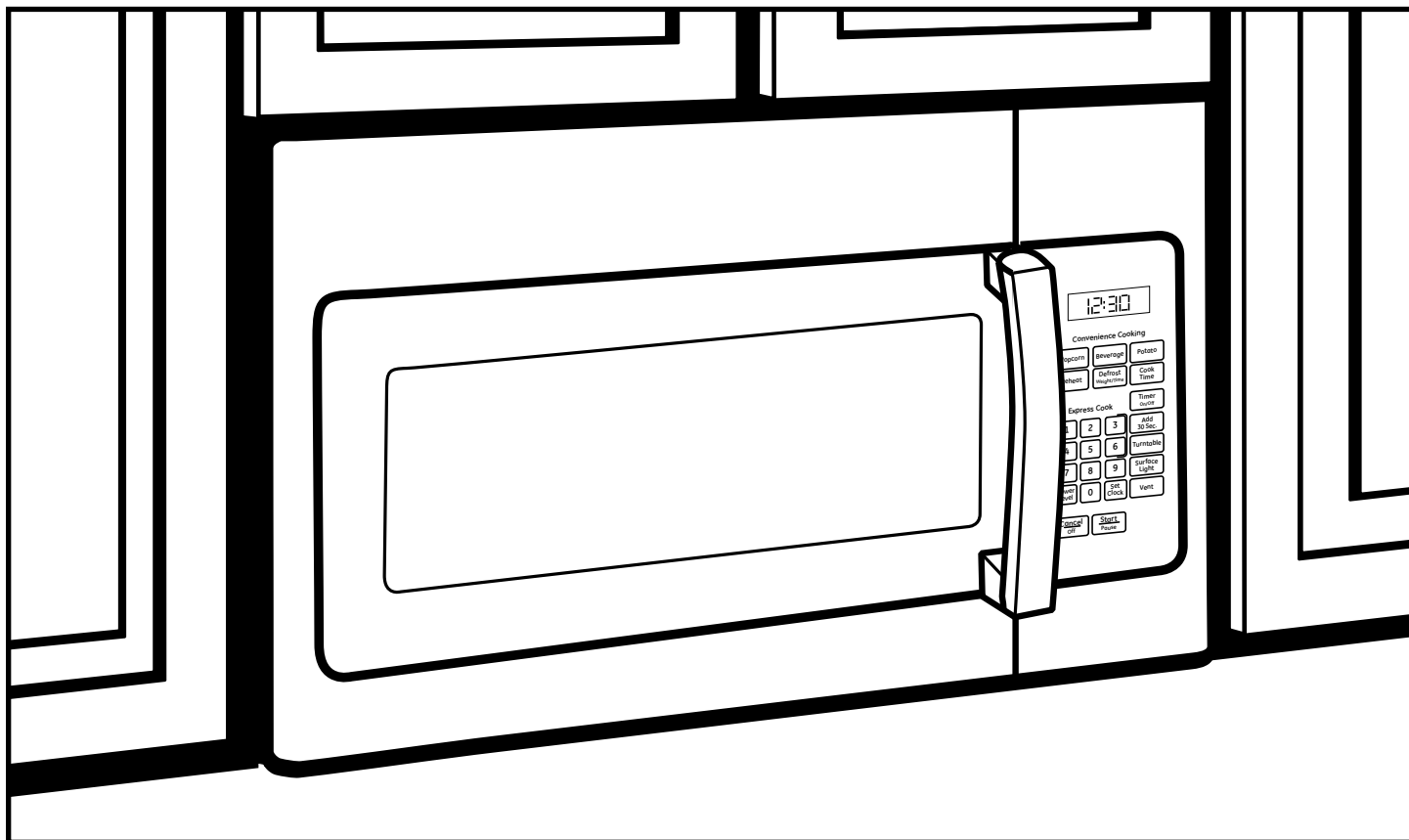
JVM1630 et JVM1635

Des questions? Appelez le 1-800-561-3344 ou consultez notre site Web : www.electromenagersge.ca

AVANT DE COMMENCER

Lisez attentivement toutes ces instructions.

- **IMPORTANT** – Conservez ces instructions pour l'inspecteur local.
- **IMPORTANT** – Observez tous les codes et règlements en vigueur.
- **Remarque destinée à l'installateur** – Veuillez à laisser ces instructions au consommateur.
- **Remarque destinée au consommateur** – Conservez ces instructions pour vous y reporter ultérieurement.
- **Aptitude** – L'installation de cet appareil exige des compétences de base en mécanique et en électricité.
- L'installateur est responsable de la qualité de l'installation.
- La panne du produit due à une mauvaise installation n'est pas couverte par la garantie.



VEUILLEZ LIRE ATTENTIVEMENT.
CONSERVEZ CES INSTRUCTIONS.

350A4502P740
49-40712
(06-13 ATS)

Instructions d'installation

TABLE DES MATIÈRES

Renseignements généraux

Consignes de sécurité importantes.....	3
Exigences électriques.....	3
Outils nécessaires.....	4
Évacuation de la hotte.....	5, 6
Domages - Expédition/installation.....	7
Pièces comprises.....	7
Dégagements pour l'installation.....	8

Guide d'installation étape par étape

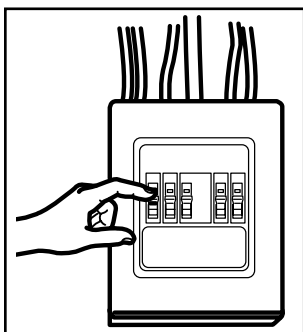
Mise en place de la plaque de montage.....	9-11
Enlèvement de la plaque de montage.....	9
Localisation des montants.....	9
Établissement de l'emplacement de la plaque de montage.....	10
Alignement de la plaque de montage.....	11
Types d'installation.....	12-23
A Recyclage d'air.....	13-15
Fixation de la plaque de montage au mur.....	13
Préparation de l'armoire supérieure.....	13
Installation du filtre à charbon.....	14
Installation du four à micro-ondes.....	14, 15
Installation du filtre à charbon sans accès par le haut.....	15
B Évacuation à l'extérieur par le dessus.....	16-19
Fixation de la plaque de montage au mur.....	16
Préparation de l'armoire supérieure.....	17
Ajustement du moteur du ventilateur.....	17
Montage et installation de l'adaptateur.....	18
Installation du four à micro-ondes.....	18
Ajustement de l'adaptateur d'évacuation.....	19
Connexion au conduit.....	19

C Évacuation à l'extérieur par l'arrière.....	20-23
Vue d'ensemble de l'installation.....	20
Préparation du mur arrière pour l'évacuation à l'extérieur par l'arrière.....	20
Fixation de la plaque de montage au mur.....	20, 21
Préparation de l'armoire supérieure.....	21
Adaptation du ventilateur pour l'évacuation à l'extérieur par l'arrière.....	21, 22
Installation du four à micro-ondes.....	22, 23
Avant d'utiliser votre four à micro-ondes	24

Instructions d'installation

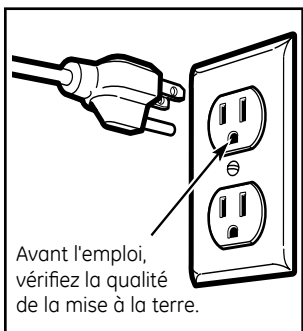
CONSIGNES DE SÉCURITÉ IMPORTANTES

Avant d'entreprendre l'installation, un électricien qualifié doit vérifier la continuité à la prise murale pour s'assurer qu'elle est adéquatement mise à la terre. Si ce n'est pas le cas, ou si la prise murale ne répond pas aux exigences électriques indiquées (à la section EXIGENCES ÉLECTRIQUES), il faut faire appel à un électricien qualifié pour corriger tout défaut.



⚠ AVERTISSEMENT : Risque de choc électrique. Peut entraîner des blessures ou la mort : Enlevez le fusible ou déclenchez le disjoncteur au panneau de distribution principal avant d'entreprendre l'installation, afin d'éviter toute blessure grave ou mortelle imputable à un choc électrique.

⚠ AVERTISSEMENT : Risque de choc électrique. Peut entraîner des blessures ou la mort : CET APPAREIL DOIT ÊTRE CONVENABLEMENT MIS À LA TERRE pour éviter un choc grave ou mortel.



Avant l'emploi, vérifiez la qualité de la mise à la terre.

Modèles de 120 V

Pour diminuer les risques de choc électrique, le cordon d'alimentation de cet appareil est muni d'une fiche à trois broches (mise à la terre) qui correspond à une prise murale à trois alvéoles (prise mise à la terre).

Si la prise murale est du type standard à deux alvéoles, il faut la faire remplacer par une prise à trois alvéoles correctement mise à la terre, en vous adressant à un électricien qualifié.

⚠ AVERTISSEMENT : Risque de choc électrique. Peut entraîner des blessures ou la mort : Ne coupez, ne déformez et ne retirez sous aucun prétexte, aucune des broches de la fiche du cordon d'alimentation. N'utilisez pas de cordon prolongateur. Le non-respect de ces consignes peut causer un incendie.

⚠ ATTENTION : Pour votre sécurité, la surface de montage doit être en mesure de supporter la charge des armoires, ainsi qu'un poids supplémentaire de 63 à 85 lb (28,6 à 38,6 kg) correspondant au poids du produit, et la charge du four à micro-ondes qui peut atteindre 50 lb (22,7 kg), pour un poids total de 113 à 135 lb (51,3 à 61,2 kg).

⚠ ATTENTION : Pour votre sécurité, ce produit ne doit pas être installé sous des armoires aménagées en îlot ou en péninsule. Il doit être fixé À LA FOIS à une armoire supérieure ET à un mur arrière.

⚠ ATTENTION : Afin d'éviter les risques de blessure (blessures au dos ou autres dues au poids excessif du four à micro-ondes) et pour ne pas endommager le produit, son installation doit être effectuée par deux personnes.

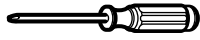
INSTALLATION ÉLECTRIQUE

Modèles de 120 V

Ce produit exige une prise de courant à trois alvéoles, mise à la terre. Les caractéristiques nominales de ce produit sont : 120 V CA, 60 Hz, 13,5 A et 1,55 kW. Ce produit doit être branché à un circuit d'alimentation de tension et de fréquence appropriées. La taille des fils doit être conforme aux exigences du Code national de l'électricité ou du code local en vigueur pour cette puissance nominale. La fiche du cordon d'alimentation doit être branchée dans une prise de courant distincte mise à la terre, de 15 ou 20 ampères. La boîte de la prise devrait être aménagée dans l'armoire au-dessus du four à micro-ondes et à l'écart de toute propagation potentielle de micro-ondes. La boîte de la prise et le circuit d'alimentation doivent être installés par un électricien qualifié, conformément aux normes du Code national d'électricité ou du code local en vigueur.

Instructions d'installation

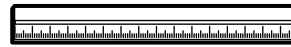
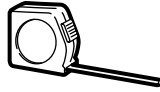
OUTILS DONT VOUS AUREZ BESOIN



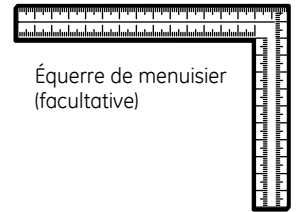
Tournevis Phillips
n° 1 et n° 2



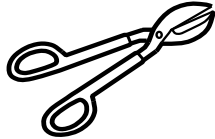
Crayon



Règle ou mètre-ruban et
règle droite



Équerre de menuisier
(facultative)



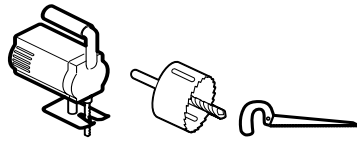
Cisailles de ferblantier
(pour couper le registre,
si requis)



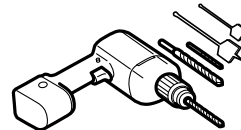
Ciseaux (pour couper
le gabarit, si nécessaire)



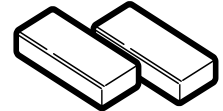
Gants



Scie (sauteuse, trépan ou à guichet)



Perceuse électrique avec forets
de $\frac{3}{16}$ po, $\frac{7}{16}$ po, $\frac{1}{2}$ po et $\frac{5}{8}$ po



Entretoises d'assemblage
ou pièces de bois de
récupération, si requis pour
l'espacement avec l'armoire
supérieure (utilisées pour
l'installation sous une
armoire dont le fond est doté
d'un rebord)



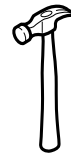
Lunettes de sécurité



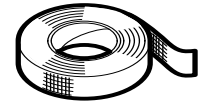
Niveau



Localisateur
de montant



Marteau (facultatif)



Ruban adhésif en toile
et ruban-cache

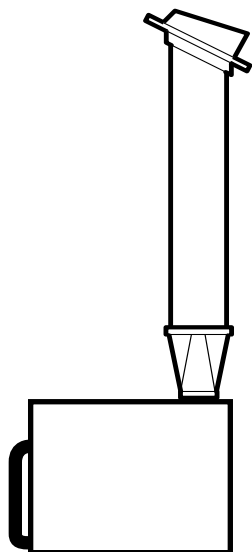
Instructions d'installation

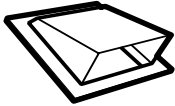


ÉVACUATION DE LA HOTTE

REMARQUE : Ne lisez les deux pages suivantes que si vous décidez d'évacuer l'air du ventilateur à l'extérieur. Si vous décidez de recycler l'air dans la pièce, rendez-vous à la page 6. Voici des exemples de schémas de systèmes de conduit d'évacuation à l'extérieur par le dessus et d'évacuation à l'extérieur par l'arrière. Remarquez la position du four à micro-ondes par rapport au système de conduit.

ÉVACUATION À L'EXTÉRIEUR PAR LE DESSUS (EXEMPLE SEULEMENT)

Le tableau suivant décrit un exemple d'installation de conduit possible.

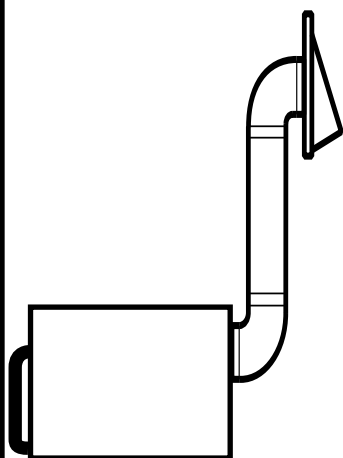


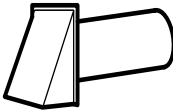


PIÈCES DE CONDUIT		LONGUEUR ÉQUIVALENTE	x	NOMBRE UTILISÉ	=	LONGUEUR ÉQUIVALENTE	
	Évent de toiture	24 pi	x	(1)	=	24 pi	
	Conduit droit de 12 pi (6 po rond)	12 pi	x	(1)	=	12 pi	
	Adaptateur de transition rectangulaire à rond*	5 pi	x	(1)	=	5 pi	
Les longueurs équivalentes des pièces de conduits sont basées sur des essais réels et représentent les longueurs nécessaires à une bonne ventilation pour n'importe quelle hotte.						Longueur totale =	41 pi

***IMPORTANT :** Si vous utilisez un adaptateur de transition, il faudra couper les coins inférieurs du registre aux dimensions de l'adaptateur à l'aide de cisailles pour que le registre puisse bouger.

ÉVACUATION À L'EXTÉRIEUR PAR L'ARRIÈRE (EXEMPLE SEULEMENT)

Le tableau suivant décrit un exemple d'installation de conduit possible.



PIÈCES DE CONDUIT		LONGUEUR ÉQUIVALENTE*	x	NOMBRE UTILISÉ	=	LONGUEUR ÉQUIVALENTE	
	Évent mural	40 pi	x	(1)	=	40 pi	
	Conduit droit de 3 pi (3¼ po x 10 po rectangulaire)	3 pi	x	(1)	=	3 pi	
	Coude de 90°	10 pi	x	(2)	=	20 pi	
Les longueurs équivalentes des pièces de conduits sont basées sur des essais réels et représentent les longueurs nécessaires à une bonne ventilation pour n'importe quelle hotte.						Longueur totale =	63 pi

REMARQUE : Dans le cas d'évacuation par l'arrière, vous devez faire attention d'aligner le conduit d'évacuation avec les espaces entre les montants, ou le mur devrait être préparé au moment de la construction en laissant assez d'espace entre les montants pour recevoir le conduit.

1 po = 2,5 cm; 1 pi = 0,3 m

Instructions d'installation

REMARQUE : Si vous devez installer un conduit, la longueur totale du conduit rectangulaire de 3¼ x 10 po ou du conduit rond de 6 po **ne doit pas excéder une longueur équivalente de 140 pi.**

L'évacuation vers l'extérieur requiert un CONDUIT D'ÉVACUATION POUR HOTTE. Lisez attentivement ce qui suit :

REMARQUE : Il est important que l'évacuation soit installée en utilisant le chemin le plus direct et avec le moins de coudes possible. Cela assure une bonne évacuation et aide à prévenir les blocages. **Assurez-vous également que les registres bougent librement et que rien ne bloque les conduits.**





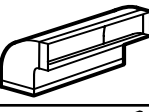
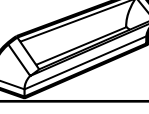

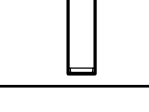
Connexion au conduit :

La sortie d'évacuation de la hotte a été conçue pour être raccordée à un conduit rectangulaire standard de 3¼ x 10 po. Si vous avez besoin d'un conduit rond, il faut utiliser un adaptateur de transition. **N'utilisez pas un conduit dont le diamètre est inférieur à 6 po.**

Longueur maximale du conduit :

Pour une circulation d'air satisfaisante, la longueur totale du conduit rectangulaire de 3¼ x 10 po ou du conduit rond de 6 po **ne doit pas excéder une longueur équivalente à 140 pi.**

Les coudes, adaptateurs de transition, événements muraux ou de toiture, etc., offrent une résistance supplémentaire à la circulation de l'air et sont équivalents à une section de conduit droit plus longue que leur dimension réelle. Lorsque vous calculez la longueur totale du conduit, ajoutez les longueurs équivalentes de tous les adaptateurs de transition et des coudes, ainsi que la longueur de toutes les sections de conduit droit. Vous trouverez dans le tableau ci-dessous la longueur équivalente approximative en pieds et en mètres de certains types de pièces de conduit.

PIÈCES DE CONDUIT	LONGUEUR ÉQUIVALENTE	x	NOMBRE UTILISÉ	=	LONGUEUR ÉQUIVALENTE
 Adaptateur de transition rectangulaire à rond*	5 pi	x	()	=	pi
 Évent mural	40 pi	x	()	=	pi
 Coude de 90°	10 pi	x	()	=	pi
 Coude de 45°	5 pi	x	()	=	pi
 Coude de 90°	25 pi	x	()	=	pi
 Coude de 45°	5 pi	x	()	=	pi
 Évent de toiture	24 pi	x	()	=	pi
 Conduit droit rond de 6 po ou rectangulaire 3¼ x 10 po	1 pi	x	()	=	pi
				Longueur totale =	pi



* **IMPORTANT :** Si vous utilisez un adaptateur de transition rectangulaire à rond, il faudra couper les coins inférieurs du registre aux dimensions de l'adaptateur à l'aide de cisailles pour que le registre puisse bouger.

Les longueurs équivalentes des pièces de conduits sont basées sur des essais réels et représentent les exigences pour une bonne ventilation de n'importe quelle hotte.

1 po = 2,5 cm; 1 pi = 0,3 m


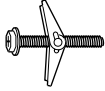



Instructions d'installation

DOMMAGES – EXPÉDITION/INSTALLATION

- Si l'appareil est endommagé durant le transport, retournez-le au magasin où vous l'avez acheté pour le faire réparer ou remplacer.
- Si l'appareil est endommagé par le client, la réparation ou le remplacement reste à la charge du client.
- Si l'appareil est endommagé par l'installateur (s'il ne s'agit pas du client), la réparation ou le remplacement doivent faire l'objet d'une entente entre le client et l'installateur.

PIÈCES FOURNIES

QUINCAILLERIE




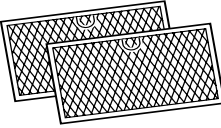
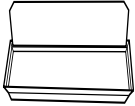
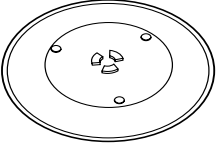
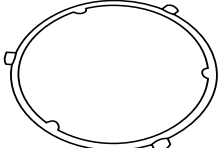
PIÈCE		QUANTITÉ
	Vis à bois (3/16 x 2 po)	2
	Boulons à ailettes (et écrous à oreilles), 1/4 x 3 po	4
	Vis à métaux à auto-alignement (1/4 po-28 x 3-1/4 po)	3
	Passe-fil en nylon (pour armoires en métal)	2
	Attache pour cordon d'alimentation (en plastique)	1

Vous trouverez les pièces de quincaillerie dans un sachet fourni avec l'appareil. Vérifiez que vous avez bien toutes ces pièces.

REMARQUE : Des pièces supplémentaires sont incluses.

PIÈCES FOURNIES

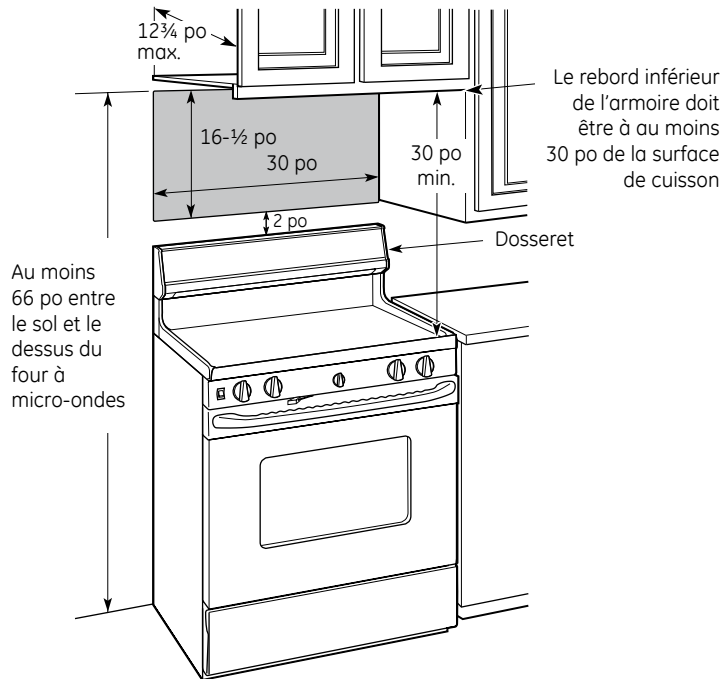
AUTRES PIÈCES

PIÈCE		QUANTITÉ
	Gabarit pour l'armoire supérieure	1
	Gabarit pour le mur arrière	1
	Instructions d'installation et manuel de l'utilisateur	1 1
	Filtres à graisses	2
	Adaptateur d'évacuation	1
	Plateau	1
	Anneau du plateau tournant	1

1 po = 2,5 cm; 1 pi = 0,3 m

Instructions d'installation

DÉGAGEMENT POUR L'INSTALLATION



REMARQUES :

- Il faut un espace d'au moins 30 po entre les armoires, sans obstructions.
- Si l'espace entre les armoires est supérieur à 30 po, un ensemble de panneaux complémentaires peut être utilisé pour combler l'espace entre le four à micro-ondes et les armoires. Votre Manuel de l'utilisateur contient le numéro de l'ensemble qui convient à votre modèle.
- Ce four à micro-ondes est conçu pour une installation au-dessus de cuisinières de moins de 36 po de largeur.
- Si l'évacuation de l'air de votre four à micro-ondes s'effectue vers l'extérieur, consultez la section « Évacuation de la hotte » pour la préparation du conduit d'évacuation.
- Lorsque vous installez le four à micro-ondes sous des armoires dont le fond est lisse et plat, suivez attentivement les directives indiquées sur le gabarit pour l'armoire supérieure en ce qui concerne le dégagement du cordon d'alimentation.
- **La profondeur maximale de l'armoire au-dessus et à côté de l'appareil est de 12 3/4 po.**
- Pour l'assemblage des modèles avec système de recyclage d'air : Ne laissez pas les armoires ou autres objets obstruer la circulation d'air des trous de l'évent.
- Le produit ne devrait pas être installé au-dessus de toute surface de cuisson ou cuisinière possédant un nombre de BTU supérieur à 66 000.

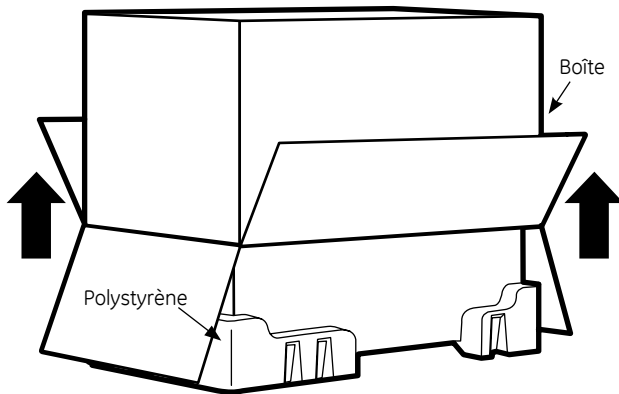
1 po = 2,5 cm; 1 pi = 0,3 m

Instructions d'installation

1 INSTALLATION DE LA PLAQUE DE MONTAGE

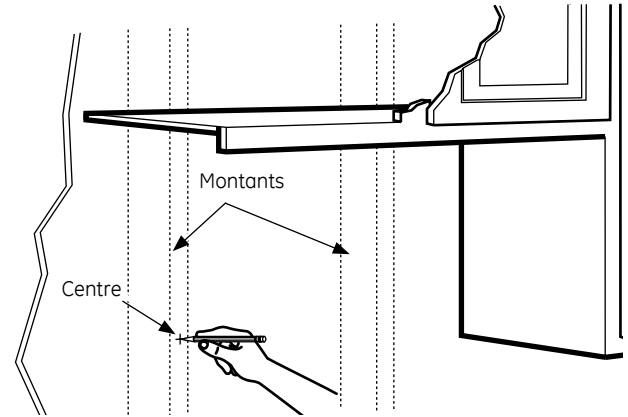
A ENLÈVEMENT DU FOUR À MICRO-ONDES DE LA BOÎTE/ENLÈVEMENT DE LA PLAQUE DE MONTAGE

- 1 Ouvrez la boîte et repliez complètement les quatre rabats de carton contre les parois de la boîte. Retirez les articles suivants de la protection en polystyrène : les instructions d'installation, les filtres, l'adaptateur d'évacuation, le registre et le sachet de quincaillerie. N'enlevez pas la protection en polystyrène du devant du four à micro-ondes.
- 2 Ensuite, retournez le four à micro-ondes et la boîte avec précaution. Le four à micro-ondes devrait reposer sur le polystyrène.



- 3 Tirez la boîte vers le haut pour dégager le four à micro-ondes.
- 4 La plaque de montage est fixée au dos du four à micro-ondes. Retirez les deux vis qui la maintiennent fixée au four à micro-ondes. Cette plaque sera utilisée comme gabarit pour le mur arrière et pour l'installation du four à micro-ondes au mur.
- 5 Mettez le four à micro-ondes à l'endroit. Enlevez et jetez les sacs en plastique et le polystyrène.
- 6 Ouvrez la porte du four à micro-ondes et retirez la pellicule plastique et le ruban à l'intérieur de la porte. Enlevez le ruban adhésif recouvrant le centre du plateau tournant.

B LOCALISATION DES MONTANTS



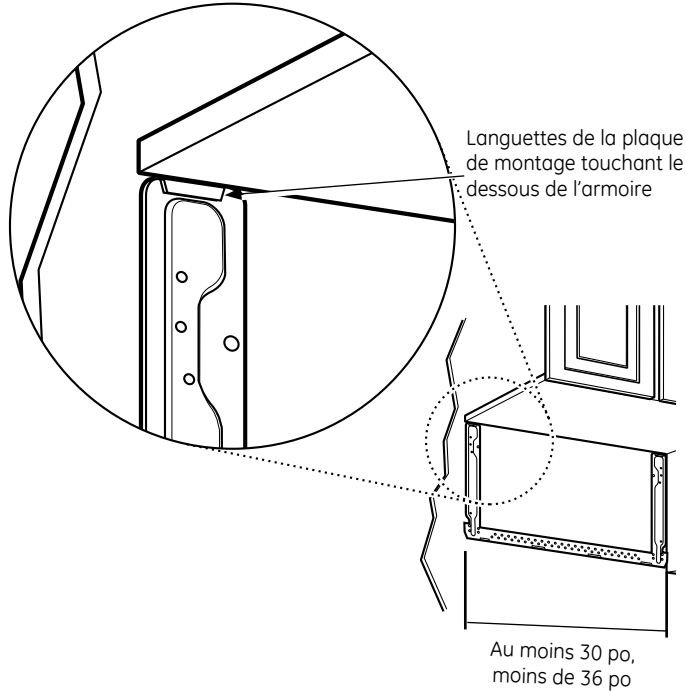
- 1 Localisez les montants en utilisant une des méthodes suivantes :
A. Localisateur de montant.
OU
B. Utilisez un marteau pour frapper légèrement sur la surface de montage jusqu'à ce que vous n'entendiez plus un son creux. Cela signifie que vous avez trouvé un montant.
- 2 Après avoir localisé le ou les montants, trouvez-en le centre en sondant le mur à l'aide d'un petit clou afin de trouver les rebords du montant. Puis, faites une marque à mi-chemin entre les deux bords. Le centre de tout montant adjacent doit se trouver à 16 po (40,6 cm) ou 24 po (61 cm) de cette marque.
- 3 Tracez une ligne verticale au milieu des montants.
IMPORTANT : Le four à micro-ondes doit être fixé à au moins un montant du mur.

1 po = 2,5 cm; 1 pi = 0,3 m

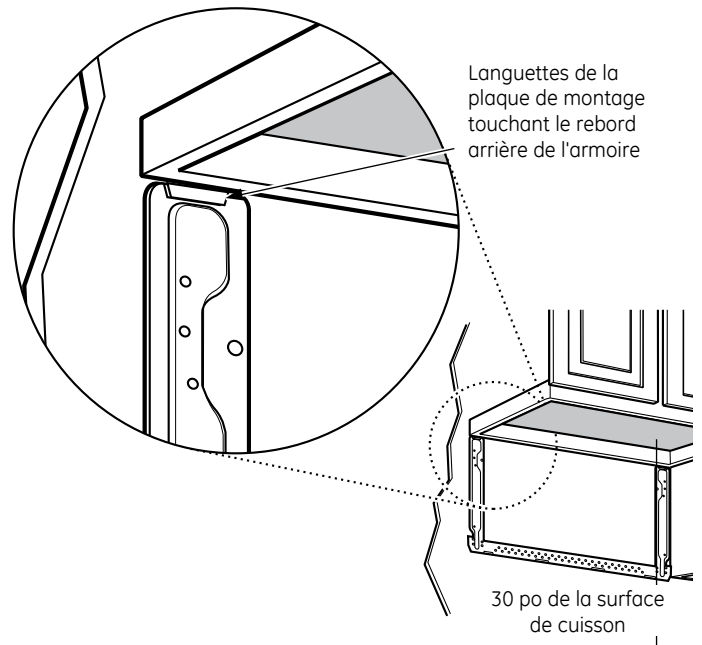
Instructions d'installation

C ÉTABLISSEMENT DE L'EMPLACEMENT DE LA PLAQUE DE MONTAGE SOUS VOTRE ARMOIRE

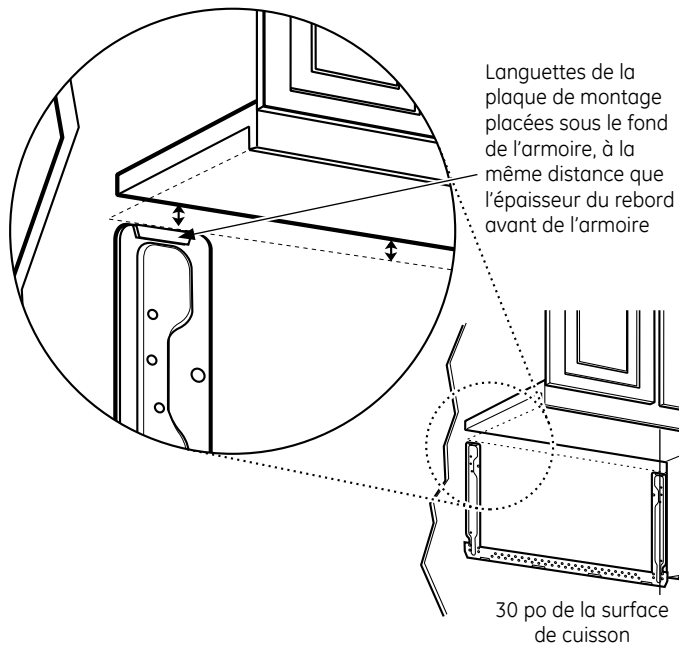
Emplacement de la plaque – armoire à fond plat



Emplacement de la plaque – armoire avec fond doté d'un rebord



Emplacement de la plaque – armoire avec rebord avant



Vos armoires peuvent être dotées d'éléments décoratifs qui gênent l'installation du four à micro-ondes. Il se peut que vous deviez enlever l'élément décoratif pour installer convenablement le four à micro-ondes et pour vous assurer qu'il est de niveau.

LE FOUR À MICRO-ONDES DOIT ÊTRE DE NIVEAU.

Utilisez un niveau pour vous assurer que le fond de l'armoire est de niveau.

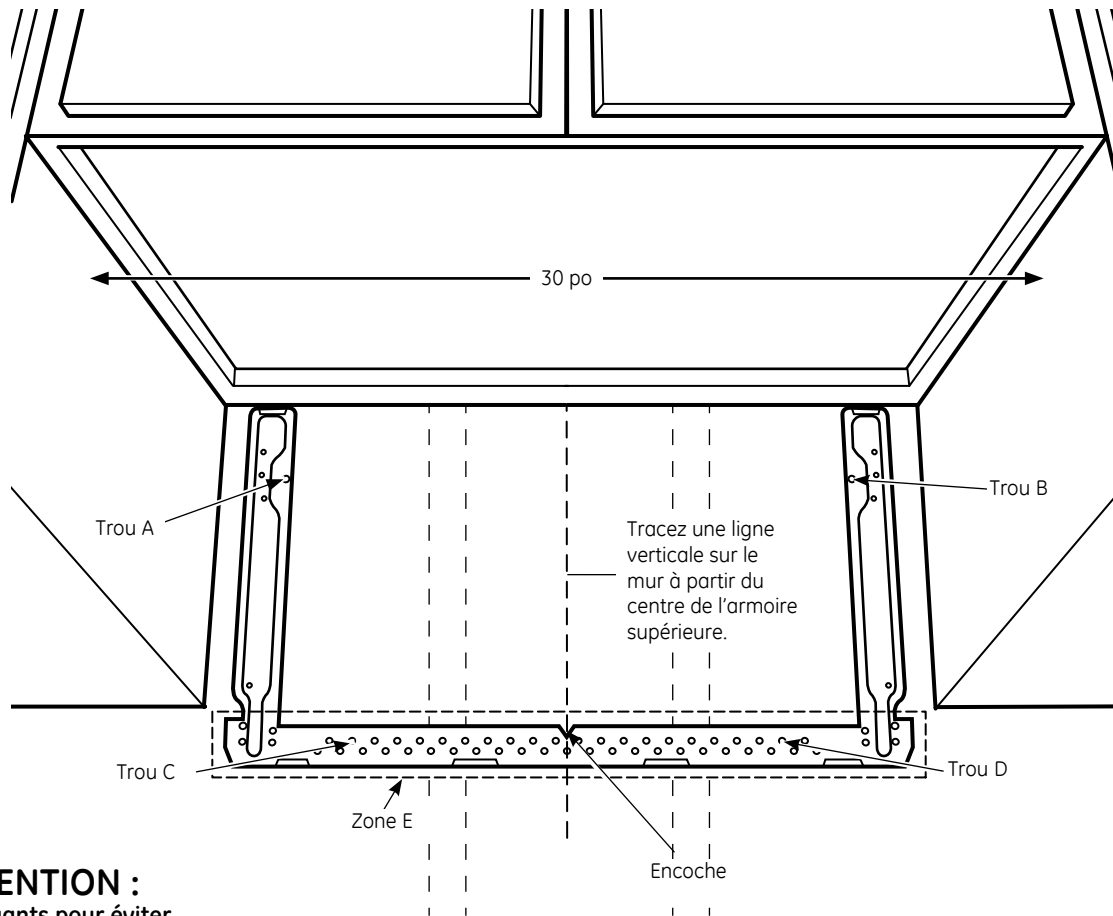
Si les armoires sont dotées d'un rebord, installez la plaque de montage plus bas, à la même distance que le rebord avant de l'armoire. Ainsi, le four à micro-ondes sera de niveau.

- 1 Mesurez l'épaisseur intérieure du rebord avant de l'armoire.
- 2 Tracez une ligne horizontale sur le mur arrière à la même distance sous le fond de l'armoire que la mesure de l'épaisseur intérieure du rebord avant de l'armoire.
- 3 Pour l'installation sous une armoire dotée d'un rebord avant, alignez les languettes de montage avec cette ligne horizontale, sans toucher le fond de l'armoire, tel que décrit à l'étape D.

1 po = 2,5 cm; 1 pi = 0,3 m

Instructions d'installation

D ALIGNEMENT DE LA PLAQUE DE MONTAGE



ATTENTION :
Portez des gants pour éviter de vous couper les doigts sur les bords coupants.

- 1 Tracez une ligne verticale sur le mur au centre de l'espace de 30 po de large.
- 2 Utilisez la plaque de montage **comme gabarit** pour le mur arrière. Placez la plaque de montage sur le mur, en vous assurant que les languettes **touchent le fond de l'armoire ou la ligne de niveau tracée à l'étape C dans le cas des armoires dotées d'un rebord avant**. Alignez l'encoche et la ligne centrale de la plaque de montage sur la ligne centrale tracée sur le mur.
- 3 Tout en tenant la plaque de montage d'une main, tracez des cercles sur le mur aux points (trous) A, B, C et D (voyez le schéma plus haut/la plaque réelle est pourvue de flèches). **Quatre trous doivent être utilisés pour le montage.**

REMARQUE : Les trous C et D sont situés à l'intérieur de la zone E. Si aucun des trous C et D ne se trouve dans un montant, trouvez un montant à un autre endroit de la zone E et tracez un cinquième cercle aligné sur ce montant. Il est important qu'**au moins une vis à bois soit bien fixée dans un montant** pour soutenir le poids du four à micro-ondes.
Mettez la plaque de montage de côté.

AVERTISSEMENT : Risque de choc électrique. Peut entraîner des blessures ou la mort. Faites attention de ne pas percer le câblage électrique à l'intérieur des murs ou des armoires.

- 4 Percez des trous dans les cercles. S'il y a un montant, percez un trou de $\frac{3}{16}$ po pour les vis à bois. S'il n'y a pas de montant, percez un trou de $\frac{5}{8}$ po pour les boulons à ailettes.

REMARQUE : N'INSTALLEZ PAS LA PLAQUE DE MONTAGE TOUT DE SUITE.

1 po = 2,5 cm; 1 pi = 0,3 m

Instructions d'installation

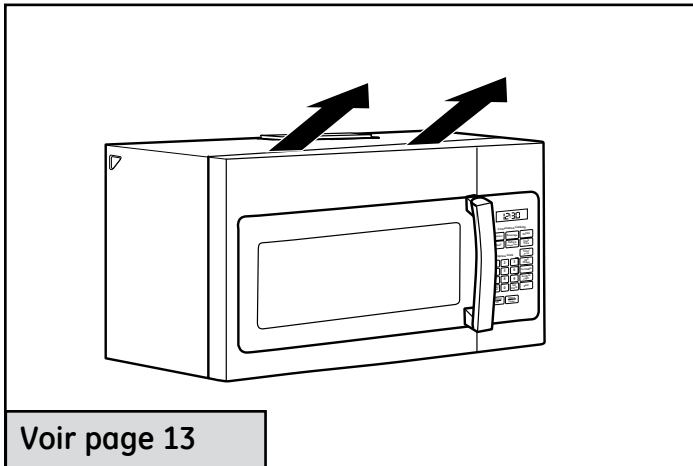
2 TYPES D'INSTALLATION (choisissez A, B ou C)

Ce four à micro-ondes est conçu pour s'adapter aux trois types d'évacuation suivants :

- A. Recyclage d'air (évacuation sans conduit)
- B. Évacuation à l'extérieur par le dessus (conduit vertical)
- C. Évacuation à l'extérieur par l'arrière (conduit horizontal)

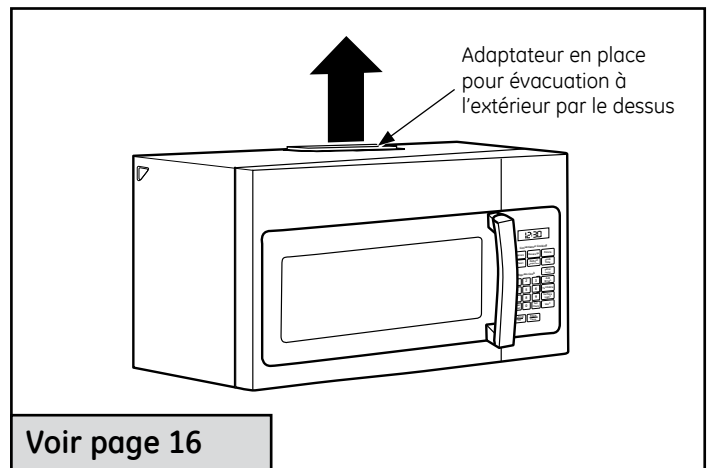
REMARQUE : Ce four à micro-ondes peut être expédié assemblé pour le recyclage d'air. Choisissez le type d'évacuation approprié à votre installation et rendez-vous à cette section.

A RECYCLAGE D'AIR (SANS CONDUIT)

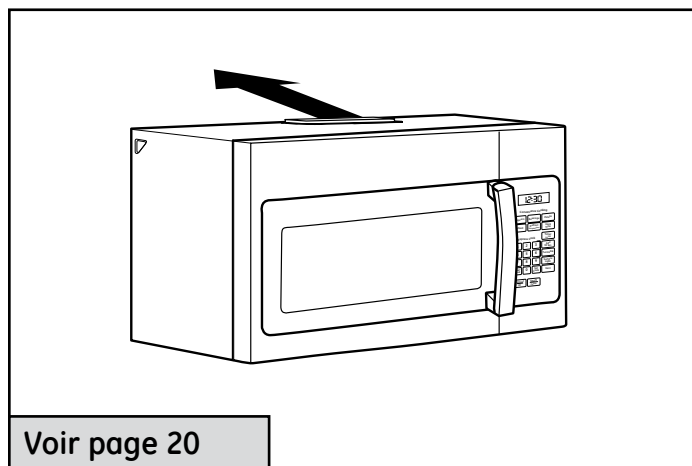


Pour une évacuation sans conduit, il faut utiliser un nécessaire de filtre à charbon. (Consultez votre Manuel de l'utilisateur pour connaître le numéro de cet ensemble.)

B ÉVACUATION À L'EXTÉRIEUR PAR LE DESSUS (CONDUIT VERTICAL)



C ÉVACUATION À L'EXTÉRIEUR PAR L'ARRIÈRE (CONDUIT HORIZONTAL)

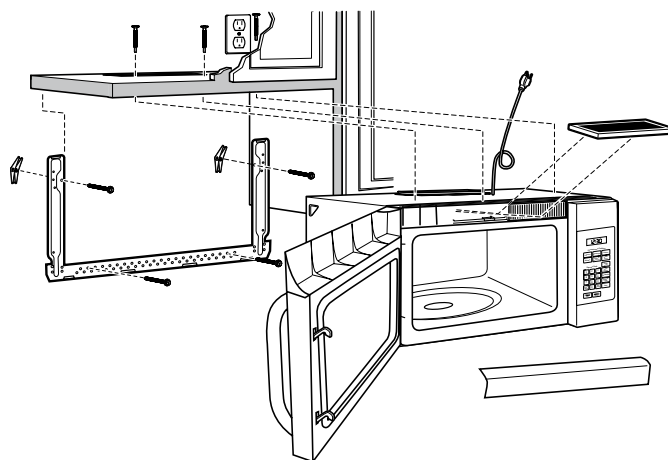


Instructions d'installation

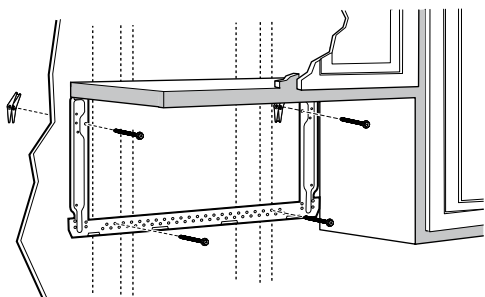
A RECYCLAGE D'AIR (Évacuation sans conduit)

VUE D'ENSEMBLE DE L'INSTALLATION

- A1. Fixation de la plaque de montage au mur
- A2. Préparation de l'armoire supérieure
- A3. Installation du filtre à charbon (fourni avec les modèles JNM3161 et JVM3160)
- A4. Installation du four à micro-ondes
- A5. Installation/remplacement du filtre à charbon sans accès aux vis du haut et lorsque l'appareil est déjà installé.



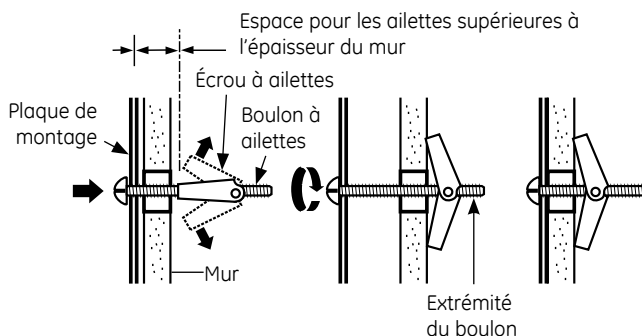
A1 FIXATION DE LA PLAQUE DE MONTAGE AU MUR



Fixez la plaque au mur à l'aide des boulons à ailettes. Vous devez utiliser au moins une vis à bois pour fixer la plaque à un montant.

- 1 Enlevez les écrous à ailettes des boulons.
- 2 Insérez les boulons dans la plaque de montage à travers les trous dans le gypse et réassemblez les écrous à ailettes, à $\frac{3}{4}$ po sur chaque boulon.

Pour utiliser les boulons à ailettes :



- 3 Placez la plaque de montage contre le mur et insérez les écrous à ailettes dans les trous du mur pour fixer la plaque.

REMARQUE : Avant de resserrer les boulons à ailettes et la vis à bois, assurez-vous que les languettes de la plaque de montage touchent le dessous de l'armoire ou la ligne de mise à niveau horizontale lorsque vous poussez la plaque contre le mur, et que la plaque est bien centrée sous l'armoire.

ATTENTION : Faites attention de ne pas vous pincer les doigts entre l'arrière de la plaque de montage et le mur.

- 4 Serrez tous les boulons. Tirez sur la plaque pour faciliter le serrage des boulons.

A2 UTILISATION DU GABARIT POUR L'ARMOIRE SUPÉRIEURE, POUR LA PRÉPARATION DE L'ARMOIRE SUPÉRIEURE

Vous devez percer des trous pour les vis de soutien supérieures, ainsi qu'un trou suffisamment grand pour y faire passer le cordon d'alimentation.



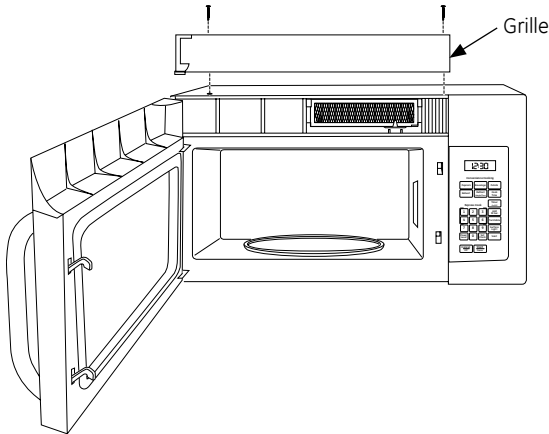
- Lisez les directives sur le GABARIT POUR L'ARMOIRE SUPÉRIEURE.
- Collez-le sous l'armoire supérieure.
- Percez les trous, en suivant les directives du GABARIT POUR L'ARMOIRE SUPÉRIEURE.

ATTENTION : Portez des lunettes de sécurité lorsque vous percez des trous dans le fond de l'armoire.

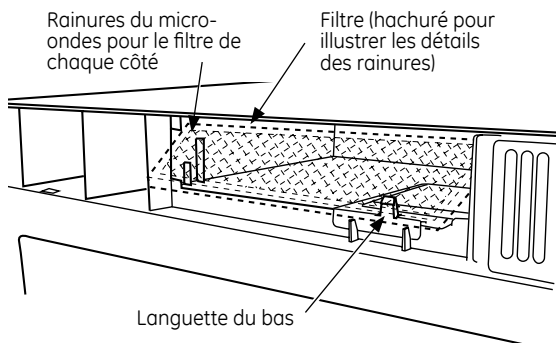
Instructions d'installation

A3 INSTALLATION DU FILTRE À CHARBON

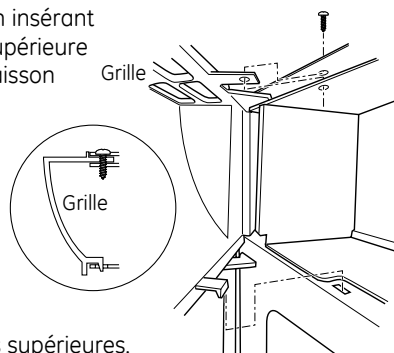
- 1 Retirez les deux vis sur le dessus du four à micro-ondes, juste au-dessus de la grille d'aération, à l'aide d'un tournevis Phillips. Si vous ne pouvez accéder aux deux vis, consultez la section A6.
- 2 Ouvrez la porte.
- 3 Enlevez la grille.



- 4 Insérez le haut du filtre dans les rainures situées de chaque côté à l'intérieur de l'ouverture supérieure. Après avoir enclenché la languette du bas, appuyez sur le bas du filtre jusqu'à ce qu'il repose en place derrière la languette.

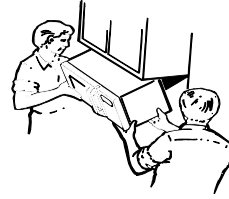


- 5 Réinstallez la grille en insérant la bride de la grille supérieure dans les fentes du caisson tel qu'illustré.



- 6 Remplacez les deux vis supérieures.
- 7 Fermez la porte.

A4 INSTALLATION DU FOUR À MICRO-ONDES



⚠ ATTENTION : Afin d'éviter les risques de blessure (blessures au dos ou autres dues au poids excessif du four à micro-ondes) et pour ne pas endommager le produit, son installation doit être effectuée par deux personnes.

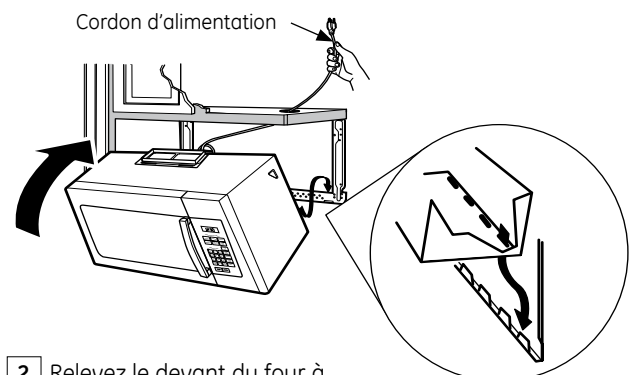
IMPORTANT : Ne saisissez pas ou n'utilisez pas la poignée du four durant l'installation.

⚠ AVERTISSEMENT : Risque de choc électrique. Peut entraîner des blessures ou la mort : Si vous installez l'appareil avec des comptoirs en métal, recouvrez le rebord du trou du cordon d'alimentation avec la bague réservée à cette fin.

IMPORTANT : Si vous n'utilisez pas d'entretoises, des dommages peuvent être causés au boîtier au moment de resserrer les vis.

REMARQUE : Lors de l'installation du four à micro-ondes, faites passer le cordon d'alimentation à travers le trou situé dans le fond de l'armoire supérieure. Gardez-le bien serré durant les étapes 1 à 3. Ne coincez pas le cordon ou ne soulevez pas le four à micro-ondes en tirant sur le cordon.

- 1 Soulevez le micro-ondes, penchez-le vers l'avant, et accrochez les fentes situées sur le bord inférieur à l'arrière du four sur les quatre languettes inférieures de la plaque de montage.

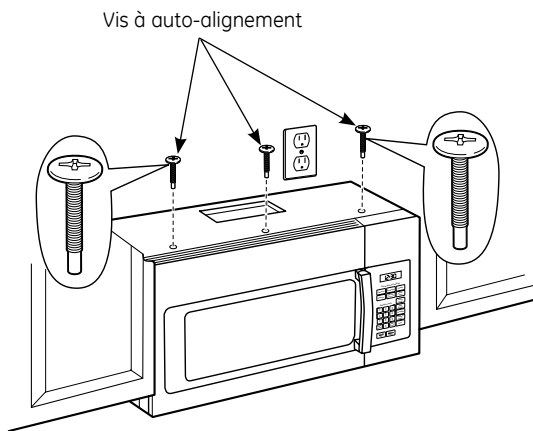
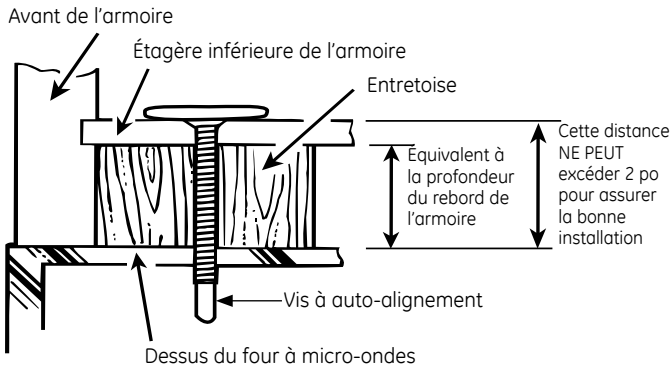


- 2 Relevez le devant du four à micro-ondes contre le dessous de l'armoire.

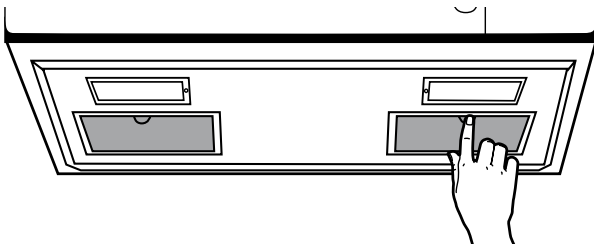
Instructions d'installation

A4 INSTALLATION DU FOUR À MICRO-ONDES (suite)

- 3 Insérez trois vis à auto-alignement (¼ po-28 x 2¼ po) à travers les trous de l'armoire supérieure. Faites faire deux tours complets à chaque vis.



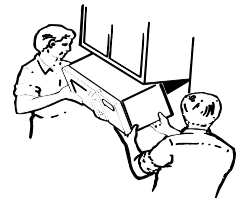
- 4 Serrez les trois vis sur le dessus du four à micro-ondes. (Tout en serrant les vis, soulevez l'avant du four à micro-ondes et poussez-le contre le mur et l'armoire supérieure.)
- 5 Installez les filtres. Consultez le Manuel de l'utilisateur emballé avec le four à micro-ondes.



1 po = 2,5 cm; 1 pi = 0,3 m

A5 INSTALLATION/REPLACEMENT DU FILTRE À CHARBON SANS ACCÈS AUX VIS DU HAUT ET LORSQUE L'APPAREIL EST DÉJÀ INSTALLÉ

DÉMONTAGE DU FOUR À MICRO-ONDES



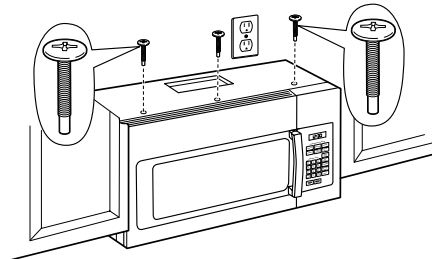
ATTENTION : Afin d'éviter les risques de blessure (blessures au dos ou autres dues au poids excessif du four à micro-ondes) et pour ne pas endommager le produit, son démontage doit être effectué par deux personnes.

IMPORTANT : Ne saisissez pas ou n'utilisez pas la poignée lors du démontage.

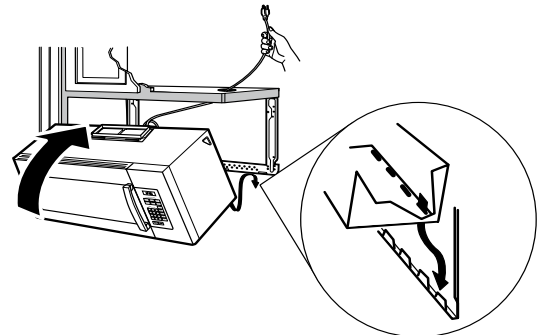
AVERTISSEMENT : Risque de choc électrique. Peut entraîner des blessures ou la mort : Si vous retirez l'appareil avec des comptoirs en métal, recouvrez le rebord du trou du cordon d'alimentation avec le cordon d'alimentation (passe-fil en nylon).

IMPORTANT : Si vous n'utilisez pas d'entretoises, des dommages peuvent être causés au boîtier au moment de resserrer les vis.

- 1 Desserrez les trois vis situées sur le dessus du four à micro-ondes (à l'intérieur de l'armoire).



- 2 Soulevez le micro-ondes, penchez-le vers l'avant, et décrochez les fentes du rebord inférieur arrière des quatre languettes inférieures de la plaque de montage.

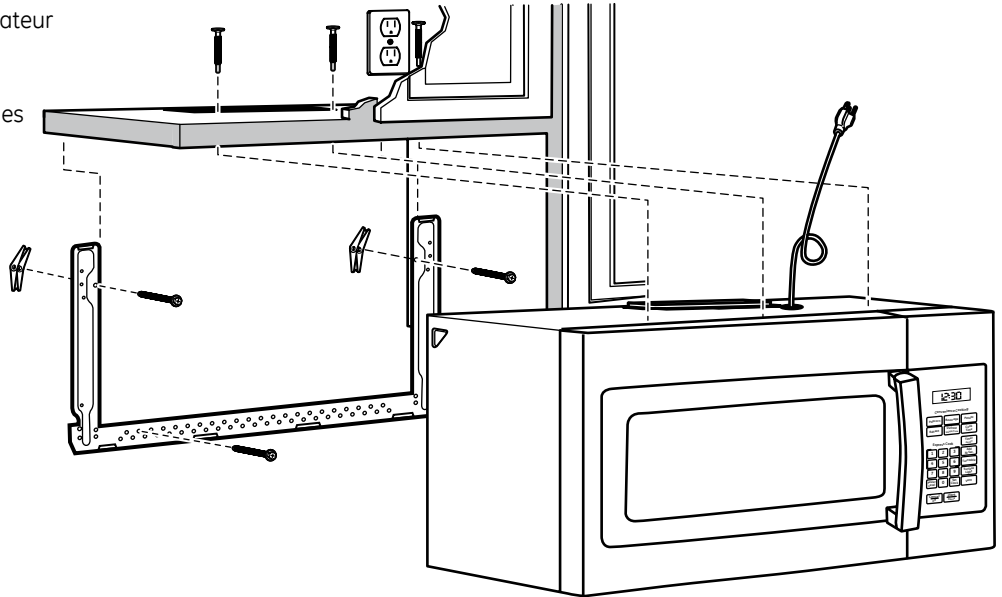


- 3 Remplacez le filtre à l'aide des instructions de la section A3.
- 4 Réinstallez l'appareil en suivant les instructions de la section A4.

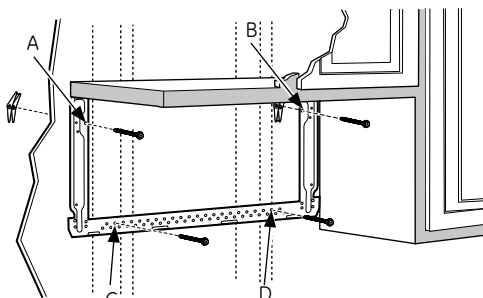
B ÉVACUATION À L'EXTÉRIEUR PAR LE DESSUS (Conduit vertical)

VUE D'ENSEMBLE DE L'INSTALLATION

- B1. Fixation de la plaque de montage au mur
- B2. Préparation de l'armoire supérieure
- B3. Ajustement du moteur du ventilateur
- B4. Installation de l'adaptateur du conduit d'évacuation
- B5. Installation du four à micro-ondes
- B6. Ajustement de l'adaptateur d'évacuation
- B7. Connexion au conduit



B1 FIXATION DE LA PLAQUE DE MONTAGE AU MUR

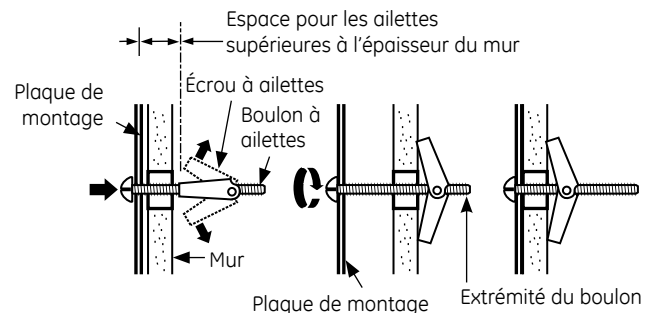


Fixez la plaque au mur à l'aide des boulons à ailettes. Vous devez utiliser au moins une vis à bois pour fixer la plaque à un montant. Les emplacements conseillés sur la plaque de montage sont indiqués par A, B, C et D.

- 1 Enlevez les écrous à ailettes des boulons.
- 2 Insérez les boulons dans la plaque de montage à travers les trous dans le gypse et réassemblez les écrous à ailettes, à $\frac{3}{4}$ po sur chaque boulon.

1 po = 2,5 cm; 1 pi = 0,3 m

Pour utiliser les boulons à ailettes :



- 3 Insérez les écrous à ailettes dans les trous du mur et placez la plaque de montage contre le mur.

REMARQUE : Avant de resserrer les boulons à ailettes et la vis à bois, assurez-vous que les languettes de la plaque de montage touchent le dessous de l'armoire lorsque vous poussez la plaque contre le mur, et que la plaque est bien centrée sous l'armoire.

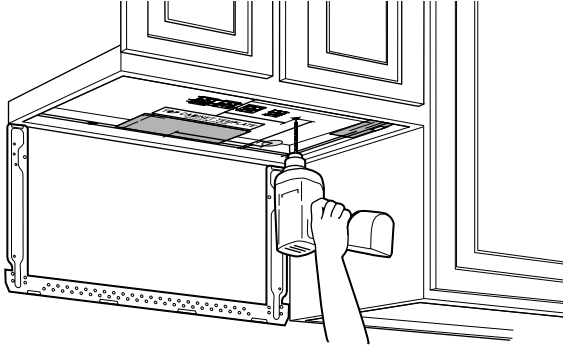
⚠ ATTENTION : Faites attention de ne pas vous pincer les doigts entre l'arrière de la plaque de montage et le mur.

- 4 Serrez tous les boulons. Tirez sur la plaque pour faciliter le serrage des boulons.

Instructions d'installation

B2 UTILISATION DU GABARIT POUR L'ARMOIRE SUPÉRIEURE, POUR LA PRÉPARATION DE L'ARMOIRE SUPÉRIEURE

Vous devez percer des trous pour les vis de soutien supérieures, ainsi qu'un trou suffisamment grand pour y faire passer le cordon d'alimentation.



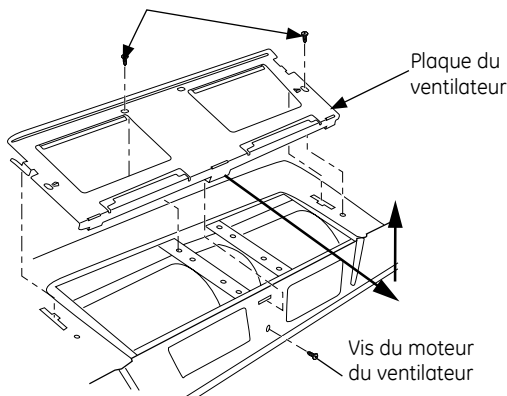
- Lisez les instructions figurant sur le GABARIT POUR L'ARMOIRE SUPÉRIEURE.
- Collez-le sous l'armoire supérieure.
- Percez les trous, en suivant les directives du GABARIT POUR L'ARMOIRE SUPÉRIEURE.

⚠ ATTENTION : Portez des lunettes de sécurité lorsque vous percez des trous dans le fond de l'armoire.

B3 AJUSTEMENT DU MOTEUR DU VENTILATEUR

- 1 Retirez les vis qui retiennent l'ensemble du ventilateur et les vis de la plaque du ventilateur. Retirez la plaque du ventilateur du boîtier externe en la glissant vers l'arrière du four à micro-ondes et en la tirant vers le haut.

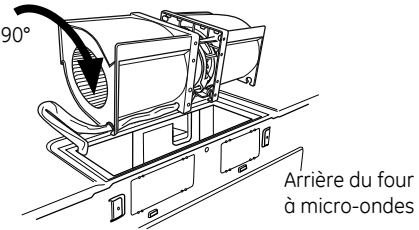
Vis du moteur du ventilateur



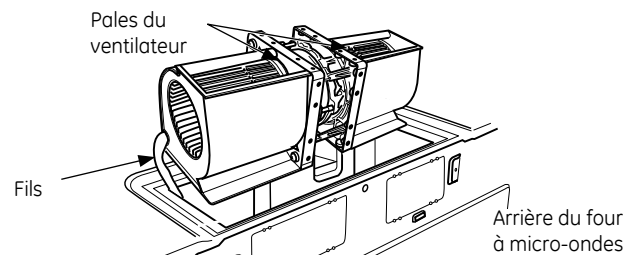
- 2 Enlevez délicatement l'ensemble du ventilateur. Les fils seront assez longs pour vous permettre d'adapter le ventilateur.

B3 AJUSTEMENT DU MOTEUR DU VENTILATEUR (suite)

Tournez de 90°



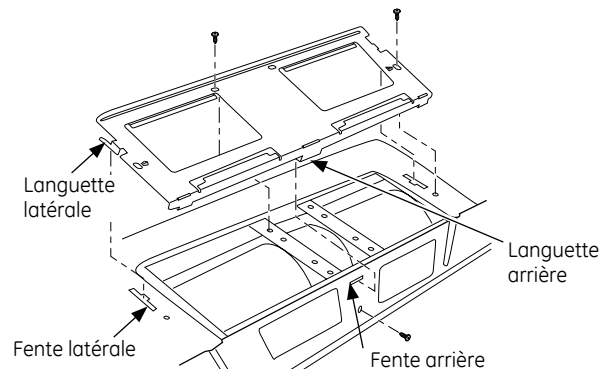
- 3 Tournez le moteur afin que les pales du ventilateur soient orientées vers le haut du four. Remplacez le moteur dans l'ouverture.



Remarque : Assurez-vous que les fils restent en place dans les ouvertures du châssis du moteur. Pour éviter d'endommager les fils du moteur du ventilateur, insérez le moteur soigneusement de manière à ce que les fils du moteur n'entrent pas en contact avec le support du cordon d'alimentation.

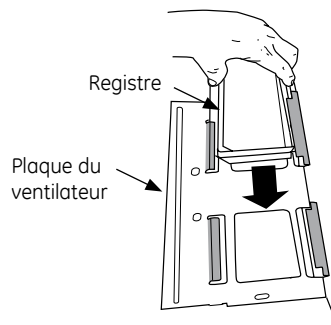
⚠ AVERTISSEMENT : Risque de choc électrique. Peut entraîner des blessures ou la mort. Ne tirez pas sur les fils de l'ensemble du ventilateur et ne les étirez pas. Assurez-vous que les fils ne sont pas coincés.

- 4 Remplacez la plaque du ventilateur sur le four à micro-ondes en insérant les languettes latérales dans les fentes et en poussant doucement jusqu'à ce que la languette arrière repose bien dans la fente arrière. Remplacez les trois vis.



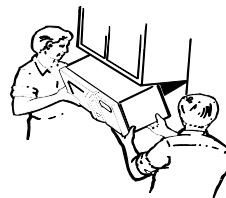
Instructions d'installation

B4 ASSEMBLAGE ET INSTALLATION DE L'ADAPTATEUR



- 1 Placez le four à micro-ondes à l'endroit, le dessus de l'appareil sur le dessus et le devant face à vous.
- 2 Retirez la vis qui se trouve sur l'arrière de la plaque du ventilateur et soulevez cette dernière du micro-ondes.
- 3 Glissez le registre de gauche à droite, dans les languettes, sur la plaque du ventilateur. Le ruban jaune sur le registre ne devrait pas vous faire face.
- 4 Retirez le ruban jaune du registre. **Assurez-vous que le registre bouge librement avant de monter le four à micro-ondes.**
Vous devrez effectuer les ajustements nécessaires pour vous assurer que le conduit du four soit bien aligné avec le conduit d'évacuation de la résidence après l'installation du four à micro-ondes.
- 5 Positionnez la plaque du ventilateur avec l'endos du registre sur le four à micro-ondes et fixez-la avec les vis retirées précédemment.

B5 INSTALLATION DU FOUR À MICRO-ONDES



⚠ ATTENTION : Afin d'éviter les risques de blessure (blessures au dos ou autres dues au poids excessif du four à micro-ondes) et pour ne pas endommager le produit, son installation doit être effectuée par deux personnes.

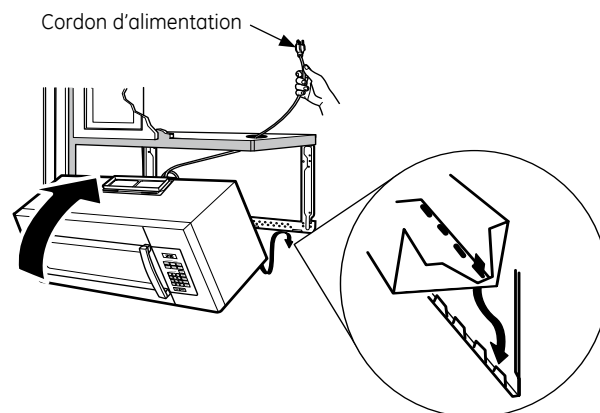
IMPORTANT : Ne saisissez pas ou n'utilisez pas la poignée du four durant l'installation.

⚠ AVERTISSEMENT : Risque de choc électrique. Peut entraîner des blessures ou la mort : Si vous installez l'appareil avec des comptoirs en métal, recouvrez le rebord du trou du cordon d'alimentation avec la bague réservée à cette fin.

IMPORTANT : Si vous n'utilisez pas d'entretoises, des dommages peuvent être causés au boîtier au moment de resserrer les vis.

REMARQUE : Lors de l'installation du four à micro-ondes, faites passer le cordon d'alimentation à travers le trou situé dans le fond de l'armoire supérieure. Gardez-le bien serré durant les étapes 1 à 3. Ne coincez pas le cordon ou ne soulevez pas le four à micro-ondes en tirant sur le cordon.

- 1 Soulevez le micro-ondes, penchez-le vers l'avant, et accrochez les fentes situées sur le bord inférieur à l'arrière du four sur les quatre languettes inférieures de la plaque de montage.

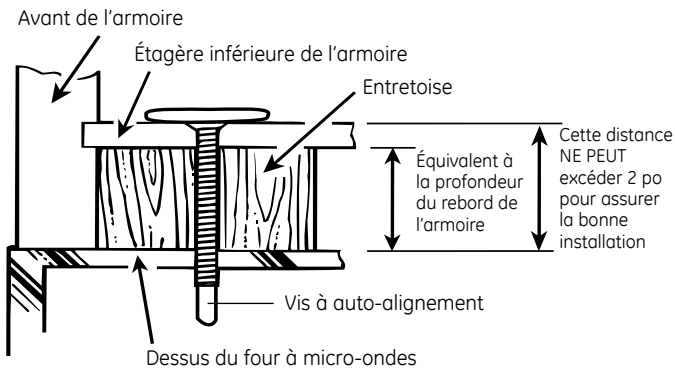
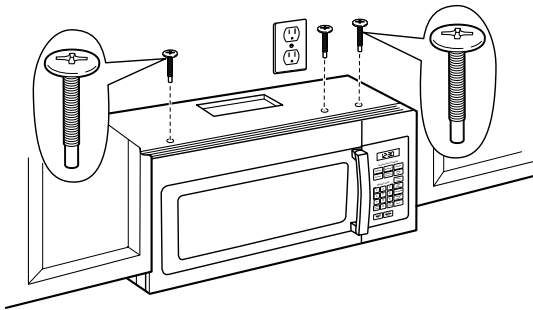


- 2 Relevez le devant du four à micro-ondes contre le dessous de l'armoire.

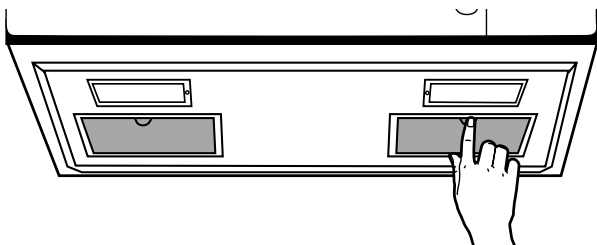
Instructions d'installation

B5 INSTALLATION DU FOUR À MICRO-ONDES (suite)

- 3 Insérez une vis à auto-alignement dans le trou situé au centre de l'armoire supérieure. Fixez temporairement le four à micro-ondes en place en faisant faire au moins **deux tours complets** à la vis après que les filets ont été engagés. (Elle sera complètement resserrée plus tard.) Insérez deux vis à auto-alignement (1/4 po-28 x 2 1/4 po) à travers les trous de l'armoire supérieure. Faites faire deux tours complets à chaque vis.

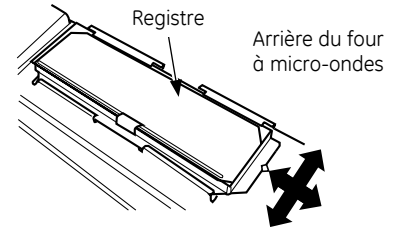


- 4 Serrez les trois vis sur le dessus du four à micro-ondes. (Tout en serrant les vis, soulevez l'avant du four à micro-ondes et poussez-le contre le mur et l'armoire supérieure.)
- 5 Installez les filtres. Consultez le Manuel de l'utilisateur emballé avec le four à micro-ondes.

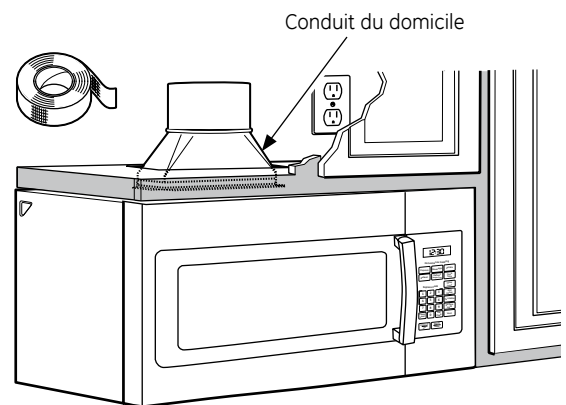


A5 AJUSTEMENT DE L'ADAPTATEUR D'ÉVACUATION

Ouvrez l'armoire supérieure et ajustez l'adaptateur d'évacuation pour le relier au conduit d'évacuation de la résidence.



A6 CONNEXION AU CONDUIT



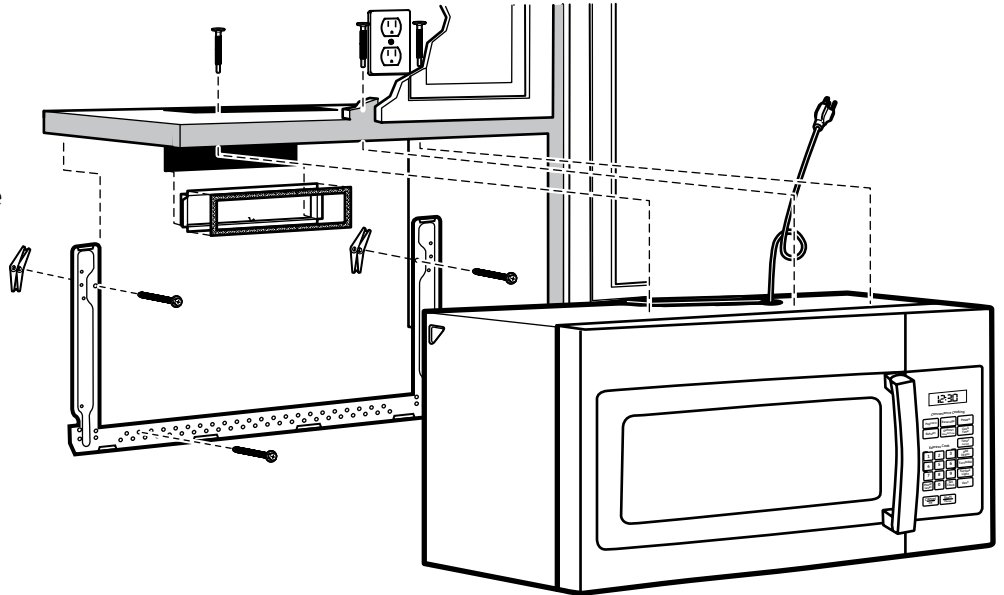
- 1 Tirez sur le conduit du domicile pour le raccorder à l'adaptateur d'évacuation.
- 2 Scellez les joints du conduit à l'aide de ruban adhésif en toile.

1 po = 2,5 cm; 1 pi = 0,3 m

C ÉVACUATION À L'EXTÉRIEUR PAR L'ARRIÈRE (Conduit horizontal)

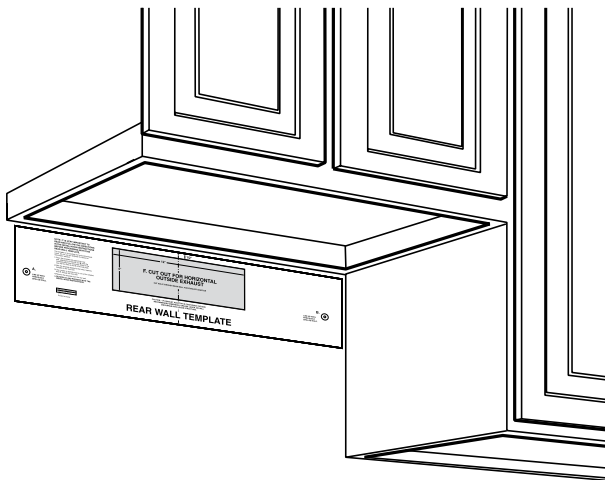
VUE D'ENSEMBLE DE L'INSTALLATION

- C1. Préparation du mur arrière
- C2. Fixation de la plaque de montage au mur
- C3. Préparation de l'armoire supérieure
- C4. Ajustement du ventilateur
- C5. Installation du four à micro-ondes



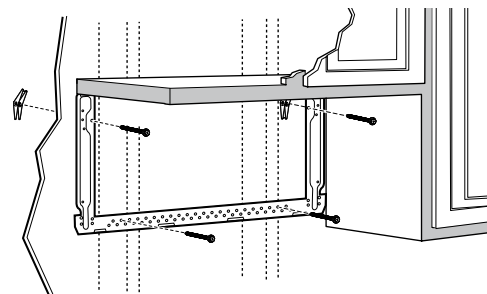
C1 PRÉPARATION DU MUR ARRIÈRE POUR L'ÉVACUATION À L'EXTÉRIEUR PAR L'ARRIÈRE

Vous devez percer une ouverture dans le mur arrière pour l'évacuation à l'extérieur.



- Lisez les instructions figurant sur le GABARIT POUR LE MUR ARRIÈRE.
- Collez-le au mur arrière avec du ruban adhésif, en l'alignant sur les trous préalablement percés pour les trous A et B de la plaque de montage.
- Percez l'ouverture en suivant les instructions sur le GABARIT POUR LE MUR ARRIÈRE.

C2 FIXATION DE LA PLAQUE DE MONTAGE AU MUR



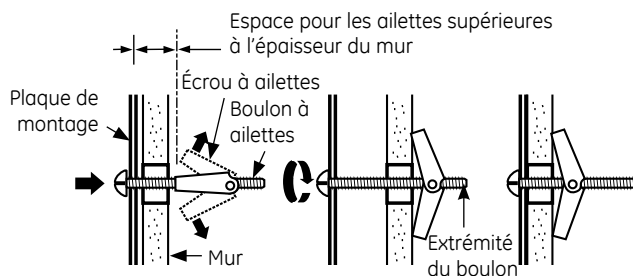
Fixez la plaque au mur à l'aide des boulons à ailettes. Vous devez utiliser au moins une vis à bois pour fixer la plaque à un montant.

- 1 Enlevez les écrous à ailettes des boulons.
- 2 Insérez les boulons dans la plaque de montage à travers les trous dans le gypse et réassemblez les écrous à ailettes, à $\frac{3}{4}$ po sur chaque boulon.

Instructions d'installation

C2 FIXATION DE LA PLAQUE DE MONTAGE AU MUR (suite)

Pour utiliser les boulons à ailettes :



- 3 Placez la plaque de montage contre le mur et insérez les écrous à ailettes dans les trous du mur pour fixer la plaque.

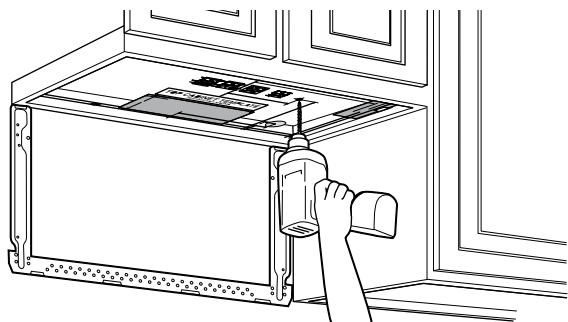
REMARQUE : Avant de resserrer les boulons à ailettes et la vis à bois, assurez-vous que les languettes de la plaque de montage touchent le dessous de l'armoire lorsque vous poussez la plaque contre le mur, et que la plaque est bien centrée sous l'armoire.

⚠ ATTENTION : Faites attention de ne pas vous pincer les doigts entre l'arrière de la plaque de montage et le mur.

- 4 Serrez tous les boulons. Tirez sur la plaque pour faciliter le serrage des boulons.

C3 UTILISATION DU GABARIT POUR L'ARMOIRE SUPÉRIEURE, POUR LA PRÉPARATION DE L'ARMOIRE SUPÉRIEURE

Vous devez percer des trous pour les vis de soutien supérieures, ainsi qu'un trou suffisamment grand pour y faire passer le cordon d'alimentation.



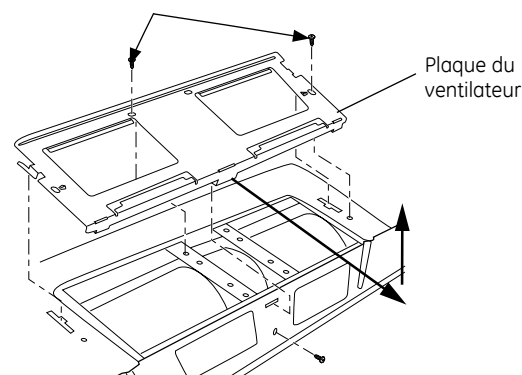
- Lisez les directives sur le GABARIT POUR L'ARMOIRE SUPÉRIEURE.
- Collez-le sous l'armoire supérieure.
- Percez les trous, en suivant les instructions du GABARIT POUR L'ARMOIRE SUPÉRIEURE.

⚠ ATTENTION : Portez des lunettes de sécurité lorsque vous percez des trous dans le fond de l'armoire.

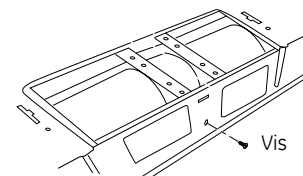
C4 ADAPTATION DU VENTILATEUR POUR L'ÉVACUATION À L'EXTÉRIEUR PAR L'ARRIÈRE

- 1 Enlevez les vis du moteur du ventilateur qui retient la plaque du ventilateur sur le four à micro-ondes. Faites glisser la plaque vers l'arrière du four à micro-ondes, puis soulevez-la pour la retirer.

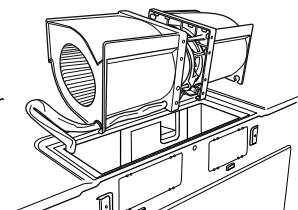
Vis du moteur du ventilateur



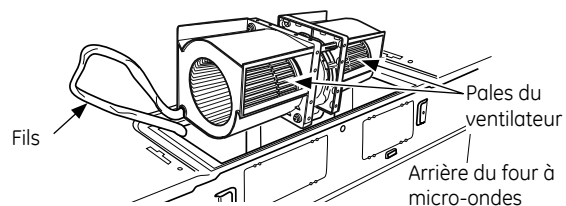
- 2 Retirez les vis à l'arrière du dossier de l'appareil.



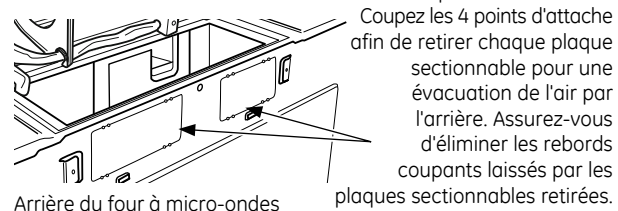
- 3 Retirez soigneusement le ventilateur de la cavité. Retirez le fil de l'encoche au bas du ventilateur après avoir retiré ce dernier de la cavité.



- 4 Le ventilateur doit être tourné à 180 degrés vers la droite pour être bien orienté et maintenir la section moteur du ventilateur là où l'air ressort au-dessus du ventilateur. Le fil doit être réinséré dans le boîtier après avoir été orienté correctement.



- 5 Retirez les plaques sectionnables à l'arrière de l'appareil à l'aide de cisailles.

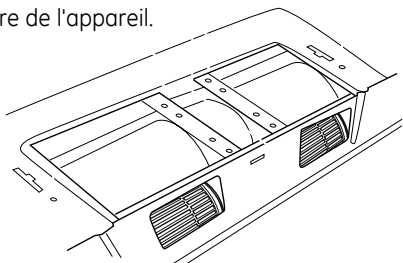


Plaques sectionnables : Coupez les 4 points d'attache afin de retirer chaque plaque sectionnable pour une évacuation de l'air par l'arrière. Assurez-vous d'éliminer les rebords coupants laissés par les plaques sectionnables retirées.

Instructions d'installation

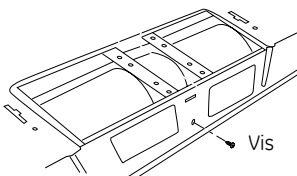
C4 ADAPTATION DU VENTILATEUR POUR L'ÉVACUATION À L'EXTÉRIEUR PAR L'ARRIÈRE (suite)

- 6 Remplacez soigneusement le ventilateur dans la cavité en orientant l'évacuation du ventilateur vers le haut, face à l'arrière de l'appareil.

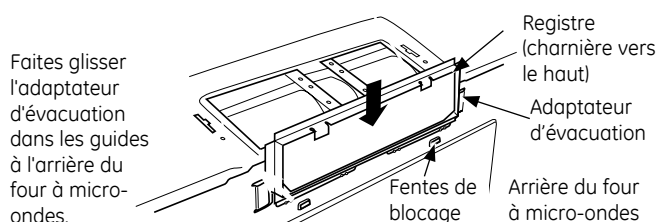


Remarque : Assurez-vous que les fils restent en place dans les ouvertures du châssis du moteur. Pour éviter d'endommager les fils du moteur du ventilateur, insérez le moteur soigneusement de manière à ce que les fils du moteur n'entrent pas en contact avec le support du cordon d'alimentation.

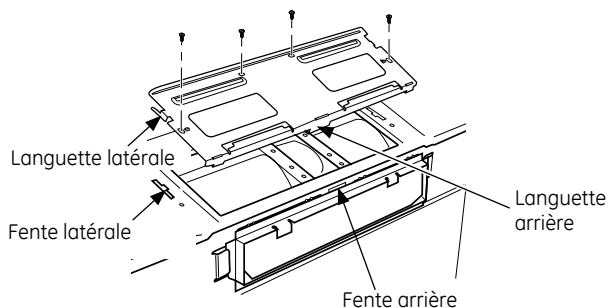
- 7 Remplacez les vis à l'arrière de l'appareil.



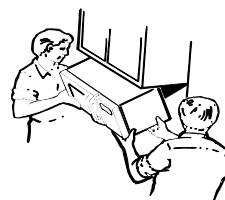
- 8 Faites glisser le registre de l'évent à l'arrière de l'appareil avec la charnière sur le dessus.



- 9 Remplacez le couvercle de l'évent sur l'appareil et fixez-le à l'appareil à l'aide des deux vis retirées précédemment, en plaçant l'une des vis dans le trou central et l'autre de n'importe quel côté.



C5 INSTALLATION DU FOUR À MICRO-ONDES



ATTENTION : Afin d'éviter les risques de blessure (blessures au dos ou autres dues au poids excessif du four à micro-ondes) et pour ne pas endommager le produit, son installation doit être effectuée par deux personnes.

IMPORTANT : Ne saisissez pas ou n'utilisez pas la poignée du four durant l'installation.

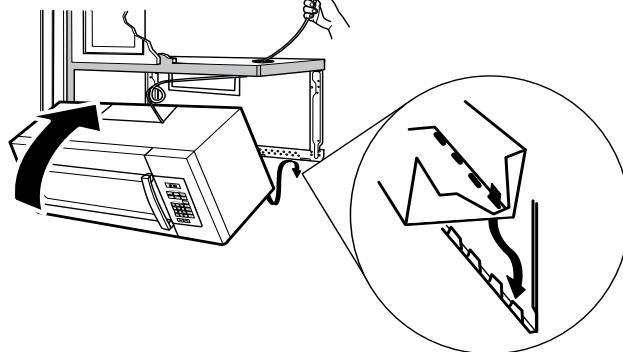
AVERTISSEMENT : Risque de choc électrique. Peut entraîner des blessures ou la mort : Si vous installez l'appareil avec des comptoirs en métal, recouvrez le rebord du trou du cordon d'alimentation avec la bague réservée à cette fin.

IMPORTANT : Si vous n'utilisez pas d'entretoises, des dommages peuvent être causés au boîtier au moment de resserrer les vis.

REMARQUE : Lors de l'installation du four à micro-ondes, faites passer le cordon d'alimentation à travers le trou situé dans le fond de l'armoire supérieure. Gardez-le bien serré durant les étapes 1 à 3. Ne coincez pas le cordon ou ne soulevez pas le four à micro-ondes en tirant sur le cordon.

- 1 Soulevez le micro-ondes, penchez-le vers l'avant, et accrochez les fentes situées sur le bord inférieur à l'arrière du four sur les quatre languettes inférieures de la plaque de montage.

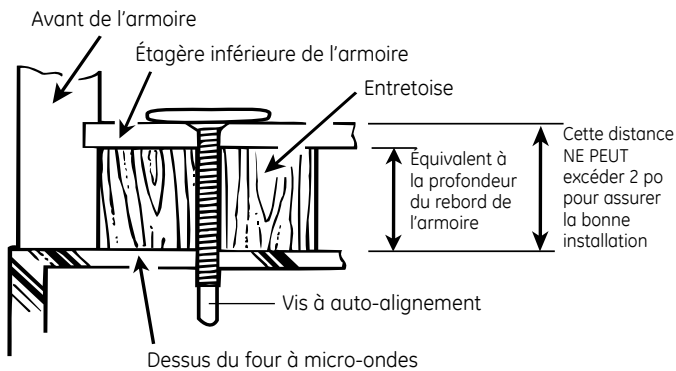
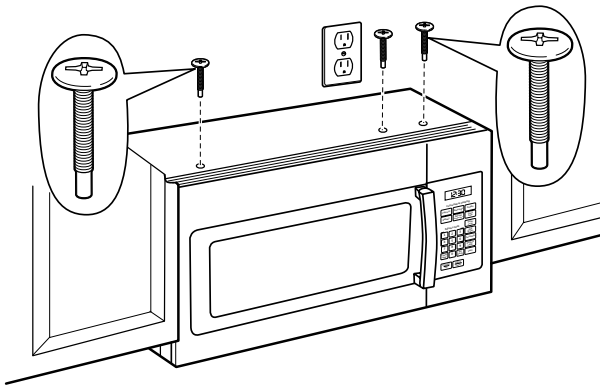
Cordon d'alimentation



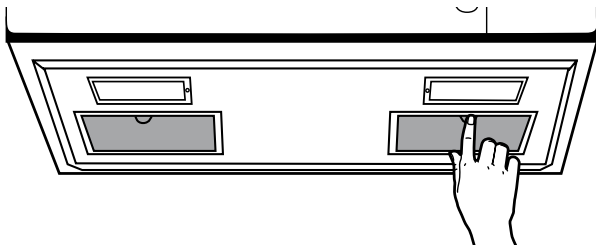
- 2 Relevez le devant du four à micro-ondes contre le dessous de l'armoire.

C5 INSTALLATION DU FOUR À MICRO-ONDES (suite)

- 3 Insérez une vis à auto-alignement dans le trou situé au centre de l'armoire supérieure. Fixez temporairement le four à micro-ondes en place en faisant faire au moins **deux tours complets** à la vis après que les filets ont été engagés. (Elle sera complètement resserrée plus tard.) Insérez deux vis à auto-alignement ($\frac{1}{4}$ po-28 x $2\frac{1}{4}$ po) à travers les trous de l'armoire supérieure. Faites faire deux tours complets à chaque vis.



- 4 Serrez les trois vis sur le dessus du four à micro-ondes. (Tout en serrant les vis, soulevez l'avant du four à micro-ondes et poussez-le contre le mur et l'armoire supérieure.)
- 5 Installez les filtres. Consultez le Manuel de l'utilisateur emballé avec le four à micro-ondes.



1 po = 2,5 cm; 1 pi = 0,3 m

Instructions d'installation

AVANT D'UTILISER VOTRE FOUR À MICRO-ONDES

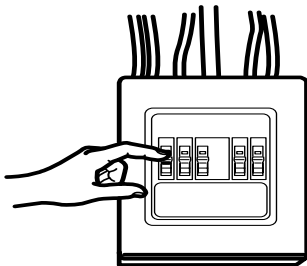
- 1** Assurez-vous que le four à micro-ondes a été installé conformément aux directives.



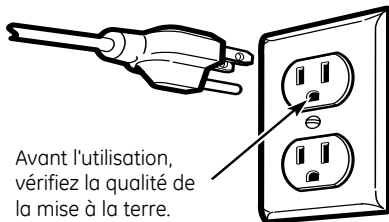
- 2** Enlevez tout le matériel d'emballage du four à micro-ondes.

- 3** Installez le plateau tournant et l'anneau du plateau tournant dans le micro-ondes.

- 4** Réinstallez le fusible ou réenclenchez le disjoncteur du panneau de distribution principal.



- 5** **Modèles de 120 V :** Branchez le cordon d'alimentation sur une prise de courant réservée de 15 à 20 A.



Si la prise murale est du type standard à deux alvéoles, il est très important de la faire remplacer par une prise à trois alvéoles correctement mise à la terre, en vous adressant à un électricien qualifié.

- 6** Lisez le Manuel de l'utilisateur.



- 7** CONSERVEZ LES INSTRUCTIONS D'INSTALLATION POUR VOTRE INSPECTEUR LOCAL.

