

# Installation Instructions

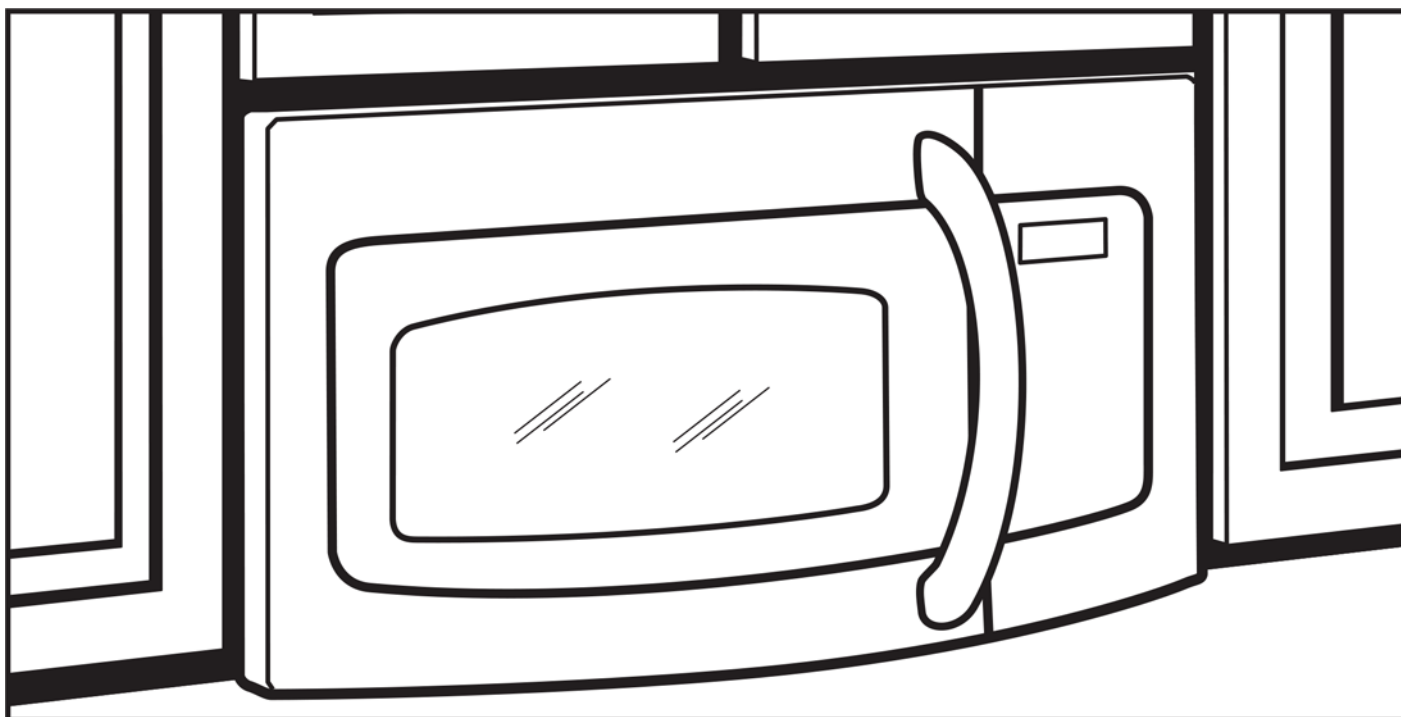
# Over the Range Microwave Oven

Questions? Call 800.561.3344 or Vis it our Website at: [GEAppliances.ca](http://GEAppliances.ca)

## BEFORE YOU BEGIN

Read these instructions completely and carefully.

- **IMPORTANT** – Save these instructions for local inspector's use.
- **IMPORTANT** – Observe all governing codes and ordinances.
- **Note to Installer** – Be sure to leave these instructions with the Consumer.
- **Note to Consumer** – Keep these instructions for future reference.
- **Skill level** – Installation of this appliance requires basic mechanical and electrical skills.
- Proper installation is the responsibility of the installer.
- Product failure due to improper installation is not covered under the Warranty.



**READ CAREFULLY.  
KEEP THESE INSTRUCTIONS.**

# Installation Instructions

## General information

Introduction .....	3
<b>BEFORE YOU BEGIN</b> .....	3
<b>IMPORTANT SAFETY INSTALLATIONS</b> .....	3
<b>ELECTRICAL REQUIREMENTS</b> .....	3
<b>HOOD EXHAUST</b> .....	4
<b>DAMAGE – SHIPMENT/INSTALLATION</b> .....	6
<b>PARTS INCLUDED</b> .....	6
<b>TOOLS YOU WILL NEED</b> .....	7
<b>MOUNTING SPACE</b> .....	7

## Step-by-step installation guide

<b>PLACEMENT OF THE MOUNTING PLATE</b> .....	8-12
<b>A. REMOVING THE MICROWAVE OVEN FROM THE CARTON/REMOVING THE MOUNTING PLATE</b> .....	8
<b>B. FINDING THE WALL STUDS</b> .....	8
<b>C. DETERMING TOP LINE OF REAR WALL TEMPLATE LOCATION</b> .....	9
<b>D. ALIGNING TOP LINE OF REAR WALL TEMPLATE</b> .....	12
<b>INSTALLATION TYPES(ChooseA, BorC)</b> .....	13-24
<b>A. OUTSIDE TOP EXHAUST (Vertical Duct) DEFAULT</b> .....	14-17
A1. ATTACH MOUNTING PLATE TO The WALL .....	14
A2. USE TOP CABINET TEMPLATE FOR PREPARATION OF TOP CABINET .....	15
A3. CHECK FOR PROPER DAMPER OPERATION .....	15
A4. MOUNT THE MICROWAVE OVEN .....	16
A5. ADJUST THE EXHAUST ADAPTOR .....	17
A6. CONNECTING DUCTWORK .....	17
<b>B. OUTSIDE BACK EXHAUST (Horizontal Duct)</b> .....	18-21
B1. PREPARING THE REAR WALL TEMPLATE FOR OUTSIDE BACK EXHAUST .....	18
B2. ATTACH MOUNTING PLATE TO The WALL .....	19
B3. USE TOP CABINET TEMPLATE FOR PREPARATION OF TOP CABINET .....	19
B4. ADAPTING MICROWAVE BLOWER FOR OUTSIDE BACK EXHAUST .....	19
B5. MOUNT THE MICROWAVE OVEN .....	21

<b>C. RECIRCULATING (Non-Vented Ductless)</b> .....	22-25
C1. ATTACH THE MOUNTING PLATE TO The Wall .....	22
C2. USE TOP CABINET TEMPLATE FOR PREPARATION OF TOP CABINET .....	22
C3. ADAPTING BLOWER FOR RECIRCULATION .....	23
C4. MOUNT THE MICROWAVE OVEN .....	24
<b>BEFORE YOU USE YOUR MICROWAVE</b> .....	25

# Installation Instructions

## Introduction

This installation guide will show you how to install your new over-the-range microwave.

## BEFORE YOU BEGIN

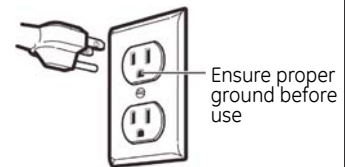
Read these instructions completely and carefully.

- IMPORTANT – Save these instructions for local inspector's use.
- IMPORTANT – Observe all governing codes and ordinances.
- Note to Installer – Be sure to leave these instructions with the consumer.
- Note to Consumer – Keep these instructions for future reference.
- Skill level – Installation of this appliance requires basic mechanical and electrical skills.
- Proper installation is the responsibility of the installer.
- Product failure due to improper installation is not covered under the Warranty.

## IMPORTANT SAFETY INSTRUCTIONS

IMPORTANT–PLEASE READ CAREFULLY. FOR PERSONAL SAFETY, THIS APPLIANCE MUST BE PROPERLY GROUNDED TO AVOID SEVERE OR FATAL SHOCK.

This product requires a three-prong, properly grounded outlet for safe operation. If not properly grounded, or if the outlet box does not meet electrical requirements noted (under [ELECTRICAL REQUIREMENTS](#)), a qualified electrician should be employed to correct any deficiencies.



The power cord of this appliance is equipped with a three-prong (grounding) plug which mates with a standard three-prong (grounding) wall receptacle to minimize the possibility of electric shock hazard from this appliance.

You should have the wall receptacle and circuit checked by a qualified electrician to make sure that the receptacle is properly grounded.

Where a standard two-prong wall receptacle is encountered, it is very important to have it replaced with a properly grounded three-prong wall receptacle installed by a qualified electrician.

DO NOT, UNDER ANY CIRCUMSTANCES, CUT, DEFORM, OR REMOVE ANY OF THE PRONGS FROM THE POWER CORD. DO NOT USE WITH AN EXTENSION CORD.

### Note

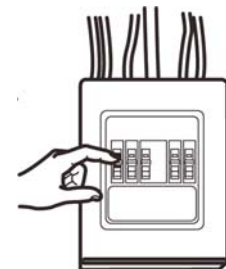
For easier installation and personal safety, it is recommended that two people install this product.

### Caution

For personal safety, remove the house fuse or open the circuit breaker before beginning installation to avoid severe or fatal shock injury.

For personal safety, the mounting surface must be capable of supporting the cabinet load, in addition to the added weight of this 50-70 pound (22.6-31.7 kilogram) product, plus additional oven loads of up to 50 pounds (22.6 kilograms) for a total weight of 100-120 pounds (45.2-54.3 kilograms).

For personal safety, this product cannot be installed in cabinet arrangements such as an island or a peninsula. It must be mounted to BOTH a top cabinet AND a wall.



## ELECTRICAL REQUIREMENTS

The product rating of your microwave is 120 volts AC, 60 Hertz, 14 amps, and 1.5 kilowatts. This product must be connected to a supply circuit of the proper voltage and frequency. Wire size must conform to the requirements of the National Electrical Code or the prevailing local code for this kilowatt rating. The power supply cord and plug should be brought to a separate 20 ampere branch circuit single grounded outlet. The outlet box should be located in the cabinet above the microwave oven. The outlet box and supply circuit should be installed by a qualified electrician and conform to the National Electrical Code or the prevailing local code.

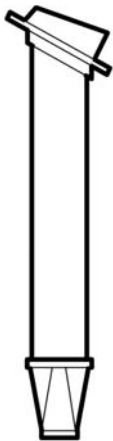
# Installation Instructions




## HOOD EXHAUST

**NOTE:** Read these next two pages only if you plan to vent your exhaust to the outside. If you plan to recirculate the air back into the room, proceed to page 6.

### OUTSIDE TOP EXHAUST (EXAMPLE ONLY)

The following chart describes an example of one possible ductwork in stallation.



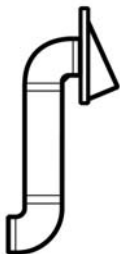
DUCT PIECES		EQUIVALENT LENGTH	x	NUMBER USED	=	EQUIVALENT LENGTH
	Roof Cap	24 Ft.	x	(1)	=	24 Ft.
	12 Ft. Straight Duct (6" Round)	12 Ft.	x	(1)	=	12 Ft.
	Rectangular-to-Round Transition Adaptor*	5 Ft.	x	(1)	=	5 Ft.
<b>Total Length</b>					<b>=</b>	<b>41 Ft.</b>

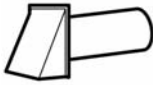


Equivalen lengths of duct pieces are based on actual tests and reflect requirement for good venting performance with any vent hood.

**\* IMPORTANT:** If a rectangular-to -round transition adaptor is used, the bottom corners of the damper will have to be cut to fit, using the tin snips, in order to allow free movement of the damper.

### OUTSIDE BACK EXHAUST (EXAMPLE ONLY)

The following chart describes an example of one possible ductwork in stallation.



DUCT PIECES		EQUIVALENT LENGTH	x	NUMBER USED	=	EQUIVALENT LENGTH
	Wall Cap	40 Ft.	x	(1)	=	40 Ft.
	3 Ft. Straight Duct (3¼" x 10" Rectangular)	3 Ft.	x	(1)	=	3 Ft.
	90° Elbow	10 Ft.	x	(1)	=	20 Ft.
<b>Total Length</b>					<b>=</b>	<b>63 Ft.</b>

Equivalen lengths of duct pieces are based on actual tests and reflect requirement for good venting performance with any vent hood.

**NOTE:** For back exhaust, case should be taken to align exhaust with space between studs, or wall should be prepared at the time it is constructed by leaving enough space between the wall studs to accommodate exhaust.

# Installation Instructions

**NOTE:** If you need to install ducts, note that the total duct length of 3 1/4" x 10" rectangular or 6" diameter round duct **should not exceed 140 equivalent feet.**

Outside ventilation requires a HOOD EXHAUST DUCT. Read the following carefully.

**NOTE:** It is important that venting be installed using the most direct route and with as few elbows as possible. This ensures clear venting of exhaust and helps prevent blockages. **Also, make sure dampers swing freely and nothing is blocking the ducts.**

## Exhaust connection:









The hood exhaust has been designed to be made with a standard 3 1/4" x 10" rectangular duct.

If a round duct is required, a rectangular-to-round transitioning adaptor must be used. **Do not use less than a 6" diameter duct.**

## Maximum duct length:

For satisfactory air movement, the total duct length of 3 1/4" x 10" rectangular or 6" diameter round duct should not exceed 140 equivalent feet.

**Elbows, transitions, wall and roof caps, etc.,** present additional resistance to airflow and are equivalent to a section of straight duct which is longer than their actual physical size. When calculating the total duct length, add the equivalent lengths of all transitions and adaptors plus the length of all straight duct sections. The chart below shows you how to calculate total equivalent ductwork length using the approximate feet of equivalent length of some typical ducts.

DUCT PIECES		EQUIVALENT LENGTH	x	NUMBER USED	=	EQUIVALENT LENGTH
	Rectangular-to-Round Transition Adaptor*	5 Ft.	x	( )	=	Ft.
	Wall Cap	40 Ft.	x	( )	=	Ft.
	90° Elbow	10 Ft.	x	( )	=	Ft.
	45° Elbow	5 Ft.	x	( )	=	Ft.
	90° Elbow	25 Ft.	x	( )	=	Ft.
	45° Elbow	5 Ft.	x	( )	=	Ft.
	Roof Cap	24 Ft.	x	( )	=	Ft.
	Straight Duct 6" Round or 3 1/4" x 10" Rectangular	1 Ft.	x	( )	=	Ft.
<b>Total Ductwork</b>					<b>=</b>	<b>Ft.</b>







**\* IMPORTANT:** If a rectangular-to-round transition adaptor is used, the bottom corners of the damper will have to be cut to fit, using the tin snips, in order to allow free movement of the damper. Equivalent lengths of duct pieces are based on actual tests and reflect requirements for good venting performance with any vent hood.

# Installation Instructions






## DAMAGE-SHIPMENT/INSTALLATION

- If the unit is damaged in shipment, return the unit to the store in which it was bought for repair or replacement.
- If the unit is damaged by the customer, repair or replacement is the responsibility of the customer.
- If the unit is damaged by the installer (if other than the customer), repair or replacement must be made by arrangement between customer and installer.

## PARTS INCLUDED

PART		QUANTITY
	Mounting-Plate	1
	exhaust adaptor	1
	Washer	2
	Sheet Metal Screw	2

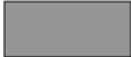



## HARDWARE PACKET

PART		QUANTITY
	Wood Screws ( $\frac{1}{4}$ " x 2")	2
	Wing nuts	2
	Machine Screws ( $\frac{3}{16}$ " x 3")	2
	Self-aligning Machine Screws ( $\frac{1}{4}$ "-20 x 3")	2
	Nylon Grommet (for metal cabinets)	1

you will find the installation hardware contained in a packet with the unit. Check to make sure you have all these parts.



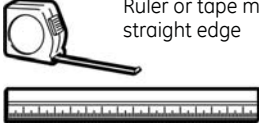



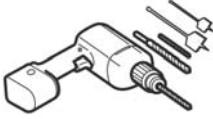



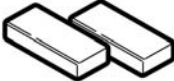
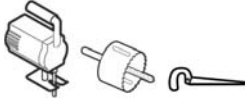

**NOTE:** Some extra parts are included.

## ADDITIONAL PARTS

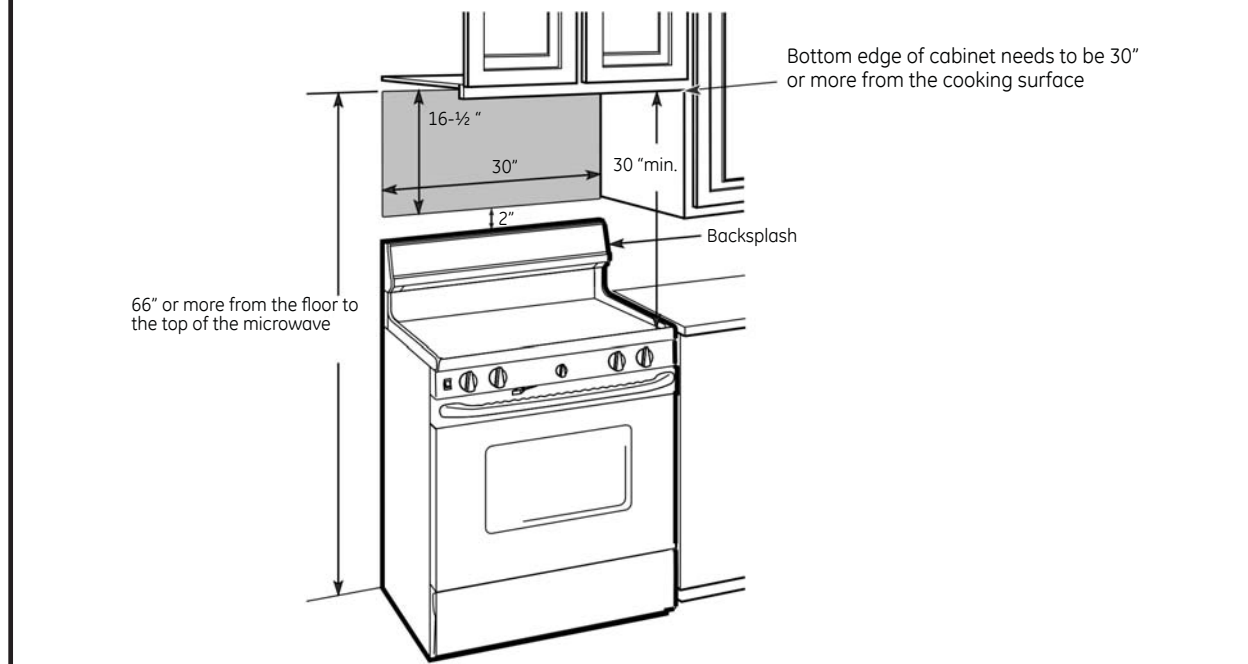
PART		QUANTITY
	Top Cabinet Template	1
	Rear Wall Template	1
	Installation Instructions	1
	Separately Packed Grease Filters	2

# Installation Instructions

## TOOLS YOU WILL NEED

 <p>#1 and #2 Phillips screwdrivers</p>	 <p>Pencil</p>	 <p>Ruler or tape measure straight edge</p>	 <p>Carpenter square (optional)</p>
 <p>Tin snips (to cut damper, if needed)</p>	 <p>Scissors (to cut template, if needed)</p>	 <p>Electric drill with 3/16", 1/2", and 5/8" bits</p>	
 <p>Gloves</p>	 <p>Safety goggles</p>	 <p>Duct and masking tape</p>	 <p>Filler blocks or scrap wood pieces (for top cabinet spacing in recessed bottom cabinet installations, if needed)</p>
 <p>Saw (saber, hole, or keyhole)</p>	 <p>Level</p>		

## MOUNTING SPACE



### NOTES :

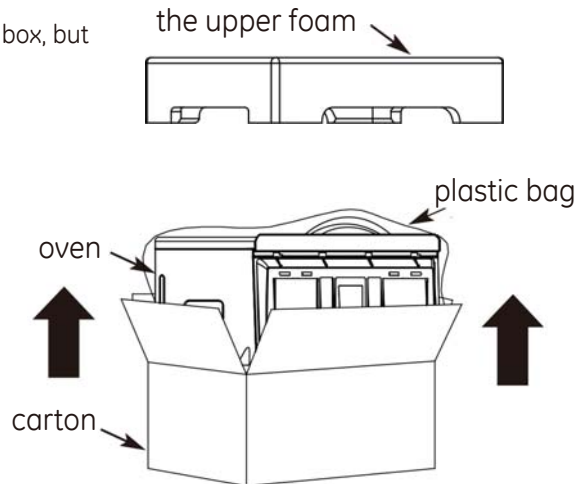
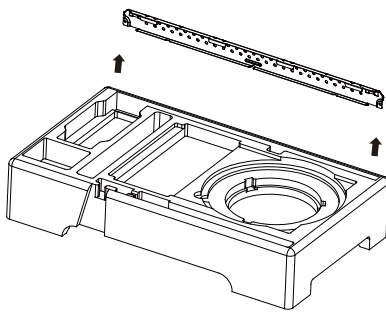
- The space between the cabinets must be 30" wide and free of obstructions.
- If the space between the cabinets is greater than 30", you'll need filler material to fill the gap between the microwave oven and the cabinets.
- This microwave oven is for installation over ranges up to 36" wide.
- If you are going to vent your microwave oven to the outside, see Hood Exhaust Section for exhaust duct preparation.
- When installing the microwave oven beneath smooth, flat cabinets, be careful to follow the instruction for power cord clearance. Make sure that you leave enough space for the power cord clearance.

# Installation Instructions

## 1. PLACEMENT OF THE MOUNTING PLATE

### A. REMOVING THE MICROWAVE OVEN FROM THE CARTON/REMOVING THE MOUNTING PLATE

1. Open the carton and remove the upper foam from the box, but remember to keep the accessories.
2. Pull the oven out of the carton and remove the plastic bag carefully.
3. Take the mounting bracket out from the upper foam.



### B. FINDING THE WALL STUDS

1. Find the wall studs, using one of the following methods

A. Wall stud finder-a magnetic device which locates nails.

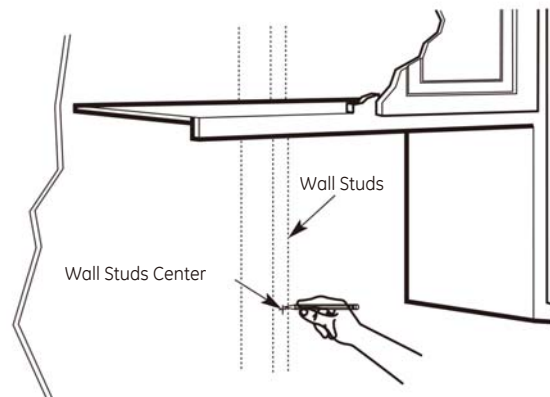
OR

B. Use a hammer to tap lightly across the mounting surface to find a solid sound. This will indicate a wall stud location.

2. After locating the stud(s), find the center by probing the wall with a small nail to find the edges of the wall stud. Then place a mark halfway between the edges. The center of any adjacent wall studs should be 16 or 24 from this mark.

3. Draw a line down the center of the wall studs.

**THE MICROWAVE MUST BE CONNECTED TO AT LEAST ONE WALL STUD.**





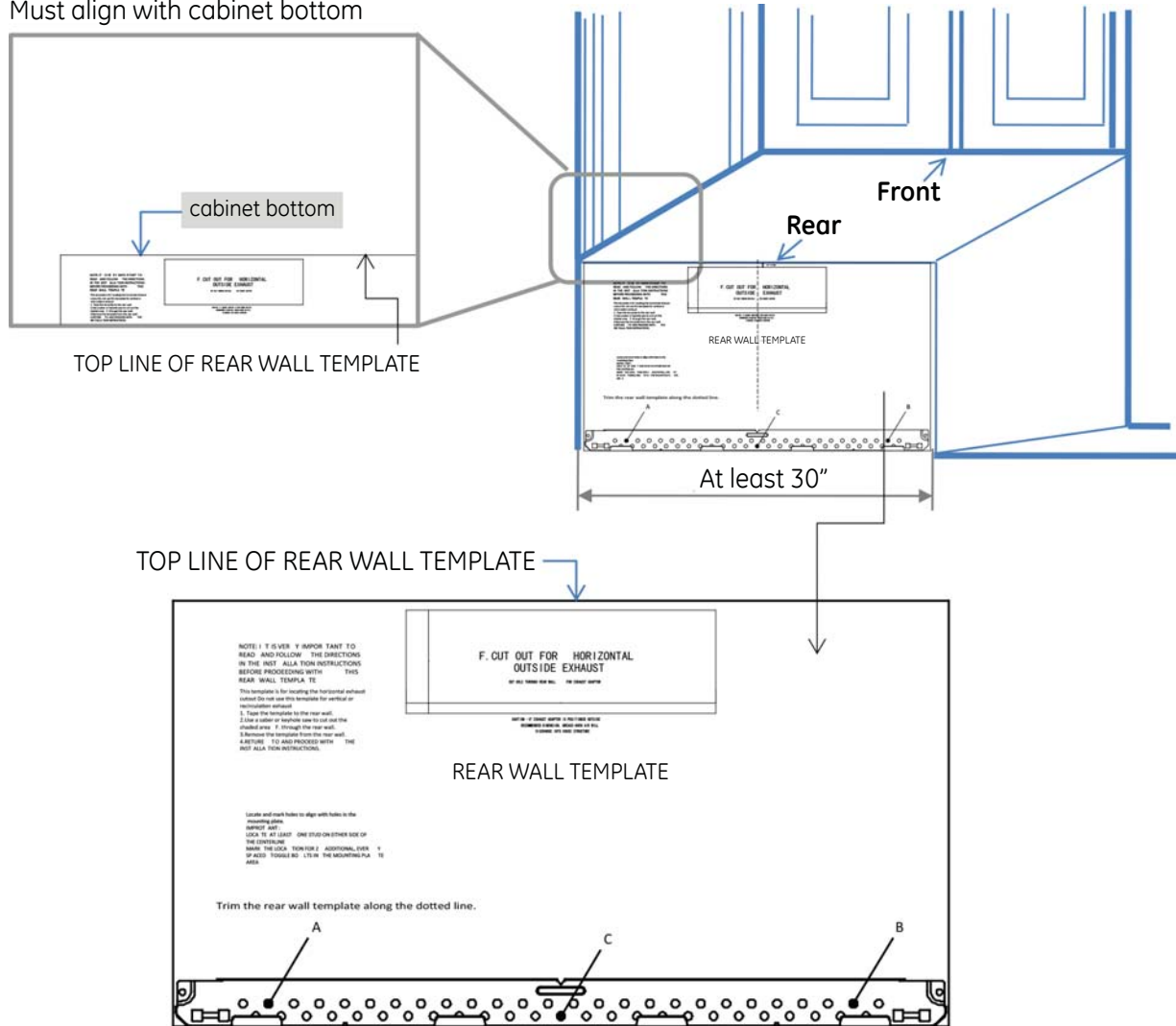
# Installation Instructions

## C. DETERMINE TOP LINE OF REAR WALL TEMPLATE LOCATION UNDER YOUR CABINET

The bottom of the cabinet have three types

### 1. Beneath flat bottom cabinet

TOP LINE OF REAR WALL TEMPLATE  
Must align with cabinet bottom

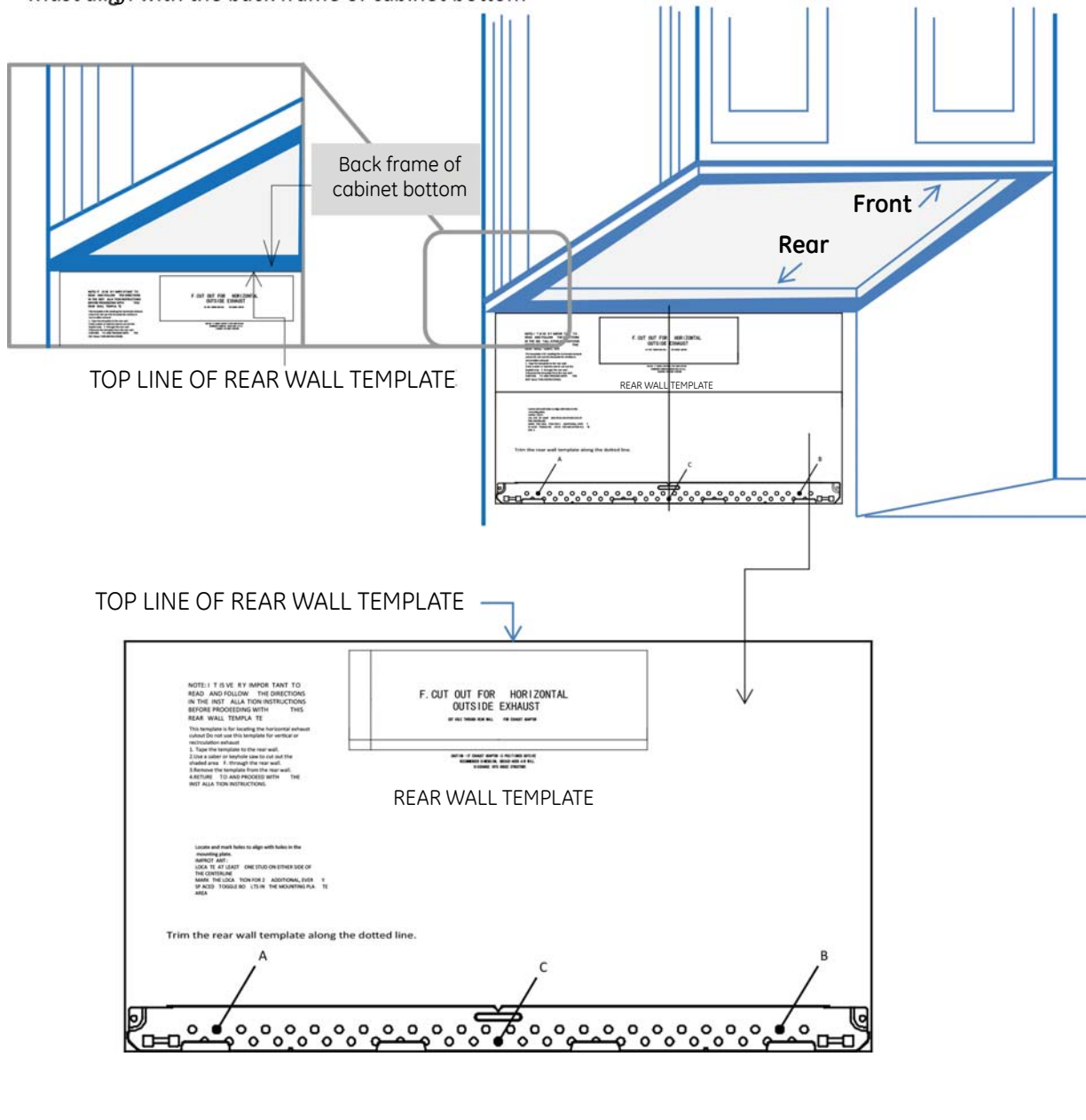


# Installation Instructions

## 2. Beneath framed recessed cabinet

TOP LINE OF REAR WALL TEMPLATE

Must align with the back frame of cabinet bottom



# Installation Instructions

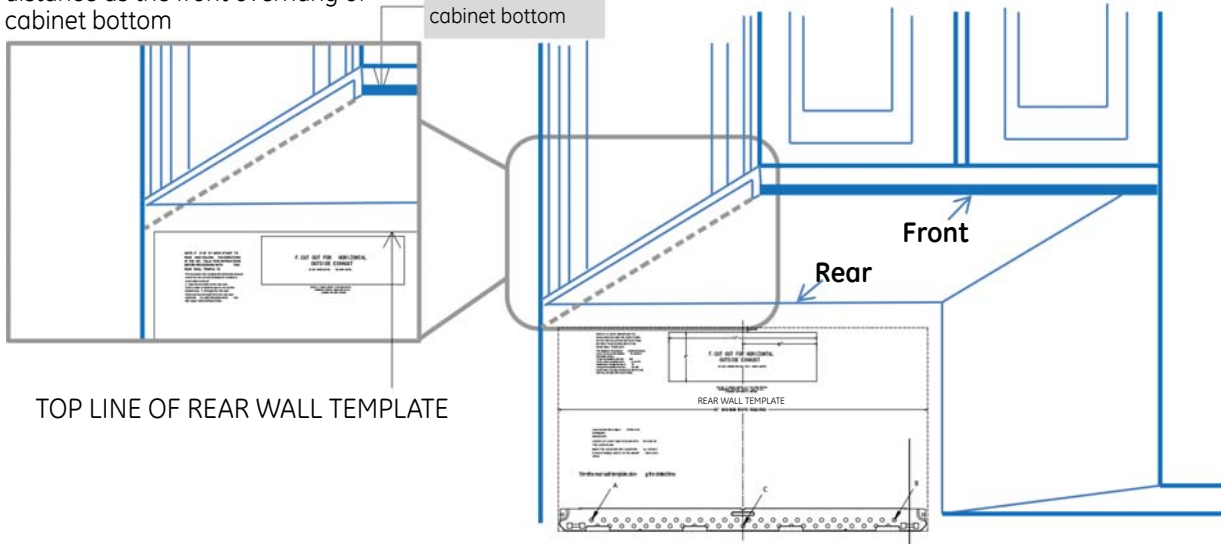
## 3. Beneath framed recessed bottom cabinet with front overhang

### TOP LINE OF REAR WALL TEMPLATE

Must align with below cabinet bottom the same distance as the front overhang of cabinet bottom.

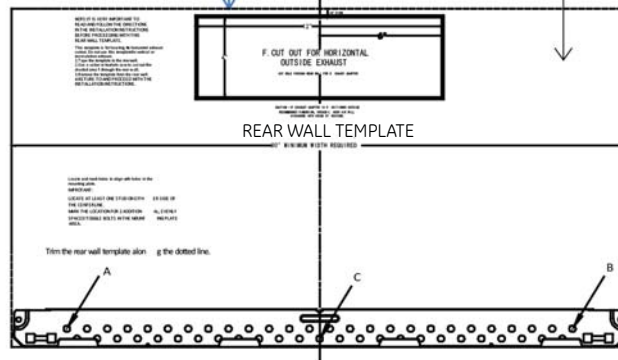
below cabinet bottom the same distance as the front overhang of cabinet bottom

Front overhang of cabinet bottom



TOP LINE OF REAR WALL TEMPLATE

TOP LINE OF REAR WALL TEMPLATE



Your cabinets may have decorative trim that interferes with the microwave installation. Remove the decorative trim to install the microwave properly and to make it level.

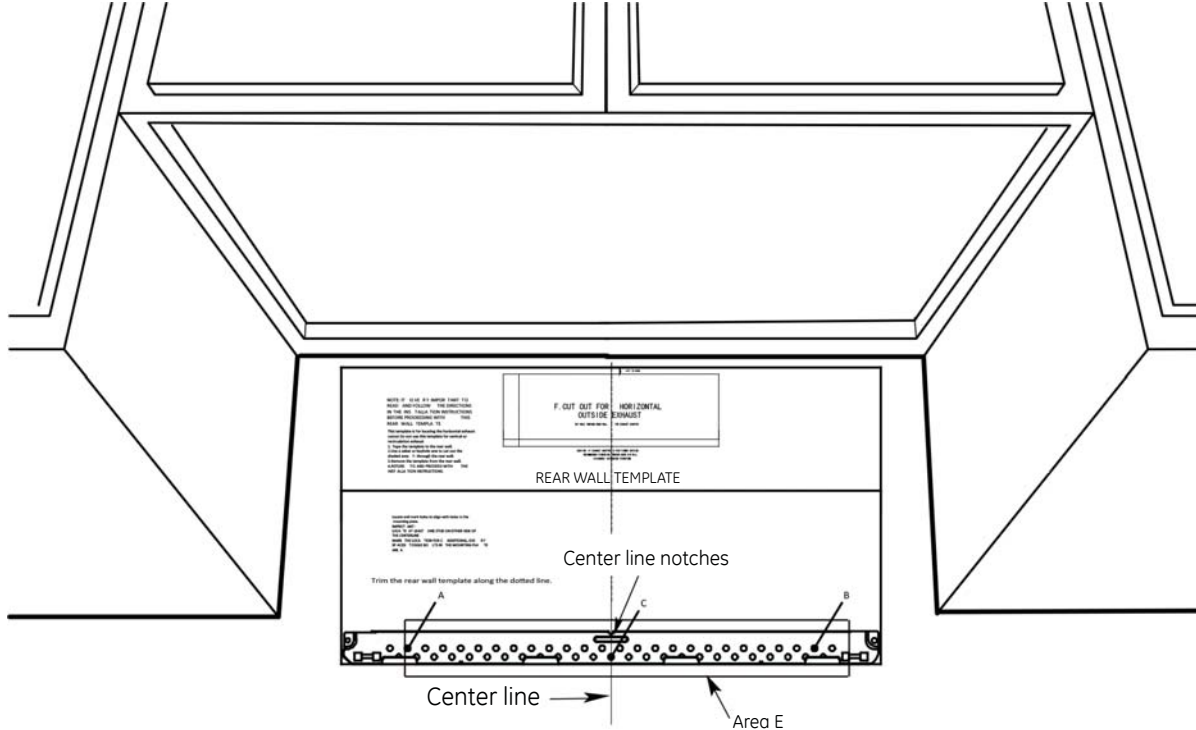
### THE MICROWAVE MUST BE LEVEL

Use a level to make sure the cabinet bottom is level. If the cabinets have a front overhang only, with no back or side frame, top line of rear wall template must align with below cabinet bottom, the same distance as the front overhang depth. this will keep the microwave level.

1. Measure the inside depth of the front overhang.
2. Draw a horizontal line on the back wall an equal distance below the cabinet bottom as the inside depth of the front overhang.
3. For this type of installation with front overhang only, align top line of rear wall template with this horizontal line, not touching the cabinet bottom as described in step D.

# Installation Instructions

## D. ALIGNING TOP LINE OF REAR WALL TEMPLATE



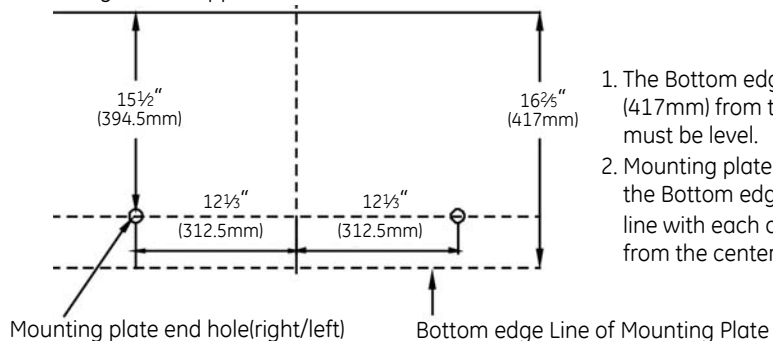
**CAUTION:** Wear gloves to avoid cutting fingers on sharp edges.

1. Using tape measure, drawing a vertical line on the wall at the center of the 30" wide space.
2. Tape the rear wall template on the cabinet wall, align the center markers on the rear wall template to the centerline on wall, making sure it is level and that the top line of the rear wall template is butted up against the bottom edge of the upper cabinet.
3. According to the shape of cabinet, the location of rear wall template is compliant with the content C. "determining top line of rear wall template location under your cabinet".
4. While taping the rear wall template on the wall draw circles on the wall at hole A,B,C (See illustration above/actual plate marked with arrows).THREE HOLES MUST BE USED FOR MOUNTING. (If there are 2-wall studs in right and left side based on center line Four hole must be used for mounting)
5. Remove the rear wall template and check the marking based on the actual mount plate (centerline, hole A,B,C).
6. Drill holes on the circles. if there is a stud, drill a 3/16" hole for wood screws. Drill 5/8" a hole for toggle bolts.

**NOTE: DO NOT MOUNT THE PLATE AT THIS TIME.**

8. If the rear wall template is damaged or unusable, measure and mark the wall with the dimensions describe in step E.

bottom edge line of upper cabinet



1. The Bottom edge line of Mounting Plate must be 16 $\frac{2}{5}$ " (417mm) from the Bottom edge Line of Upper cabinet and must be level.
2. Mounting plate end holes must be 15 $\frac{1}{2}$ " (394.5mm) from the Bottom edge Line of Upper cabinet must be on a equal line with each other. They must each be 12 $\frac{1}{3}$ " (312.5mm) from the center line.

# Installation Instructions

## 2. INSTALLATION TYPES (Choose A, B or C)

This microwave oven is designed for adaptation to the following three types of ventilation:

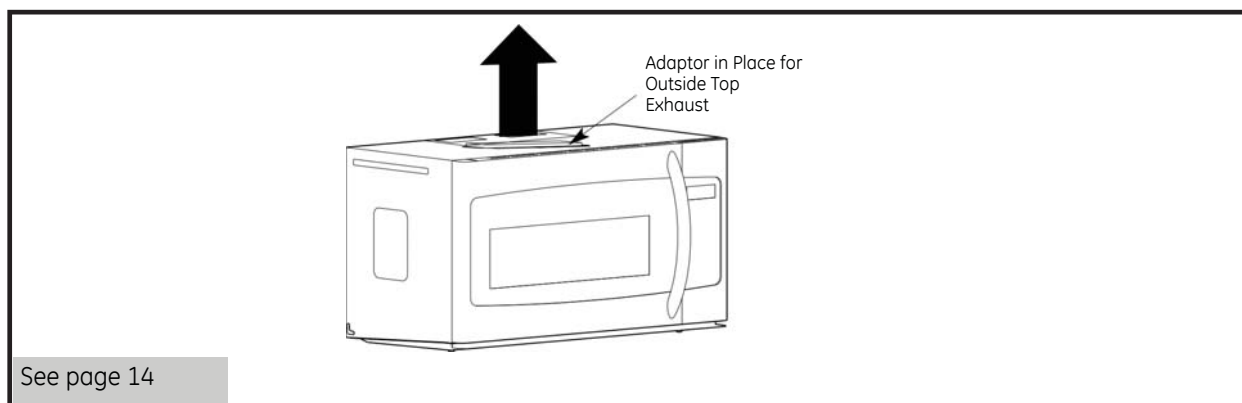
**A: Outside Top Exhaust(Vertical Duct)**

**B: Outside Back Exhaust(Horizontal Duct)**

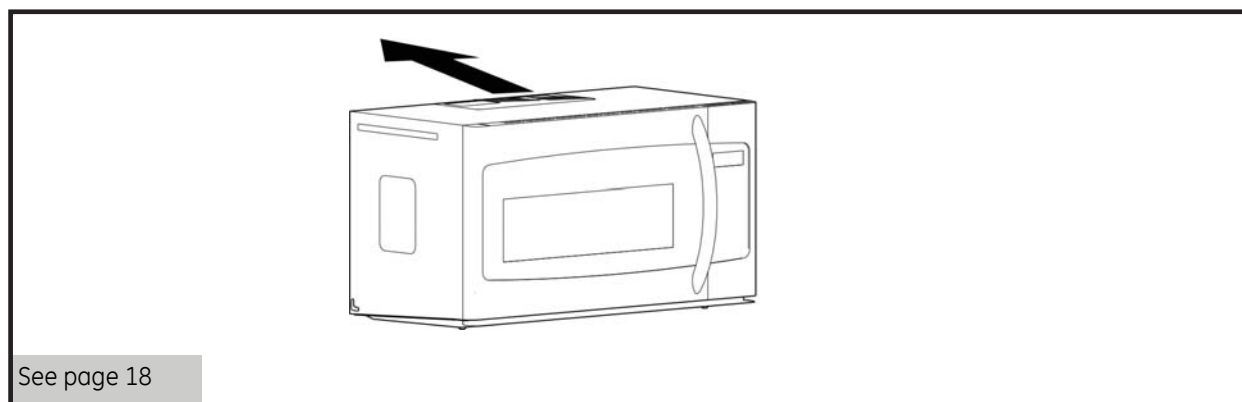
**C: Recirculating(Non-Vented Ductless)**

**NOTE:** This microwave is shipped assembled for Recirculating.

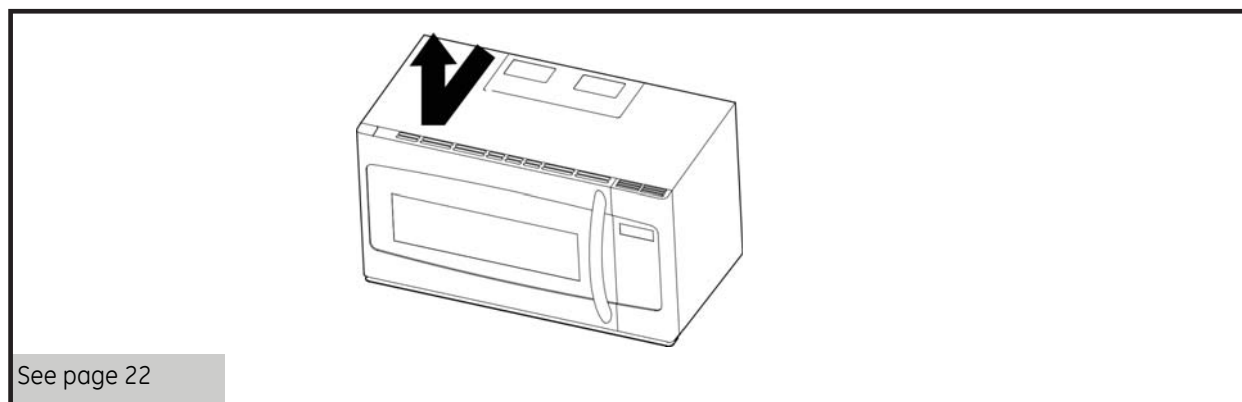
### A. OUTSIDE TOP EXHAUST (Vertical Duct)



### B. OUTSIDE BACK EXHAUST (Horizontal Duct)



### C. RECIRCULATING (Non-vented Ductless)



A Charcoal Filter

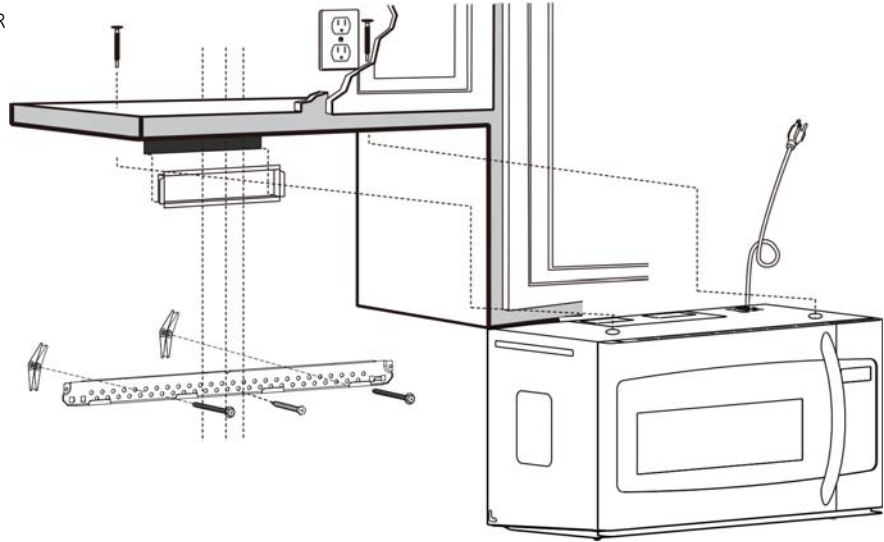
Accessory Kit is required for the non-vented exhaust. (See your USER GUIDE for the kit number.)

# Installation Instructions

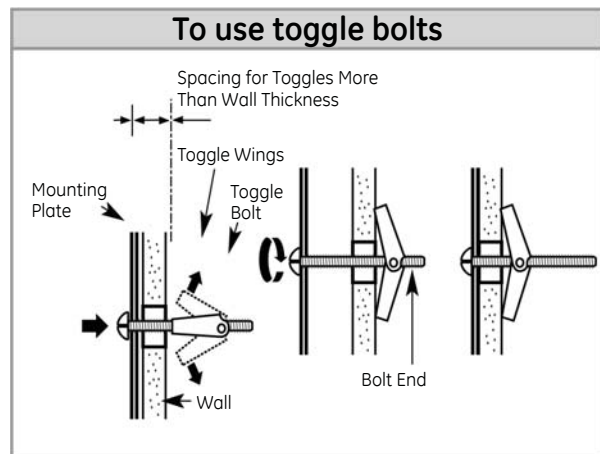
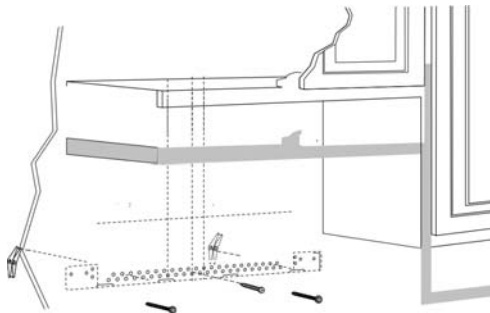
## A. OUTSIDE TOP EXHAUST (Vertical Duct) DEFAULT

### INSTALLATION OVERVIEW

- A1. ATTACH THE MOUNTING PLATE TO THE WALL
- A2. USE TOP CABINET TEMPLATE FOR PREPARATION OF TOP CABINET
- A3. CHECK FOR PROPER DAMPER OPERATION
- A4. MOUNT THE MICROWAVE OVEN
- A5. ADJUST THE EXHAUST ADAPTOR
- A6. CONNECTING DUCTWORK



### A1. ATTACH MOUNTING PLATE TO THE WALL



Attach the mounting plate to the wall using the wing nuts and machine screws ( $\frac{3}{16}$ " x 3"). At least one wood screw must be used to attach the mounting plate to a wall stud.

1. Insert the machine screws ( $\frac{3}{16}$ " x 3") into the mounting plate through the holes designed to go into drywall and attach the toggle wings to  $\frac{3}{4}$ " onto each machine screw ( $\frac{3}{16}$ " x 3").
2. Place the mounting plate against the wall and insert the toggle wings into the holes in the wall to mount the plate.

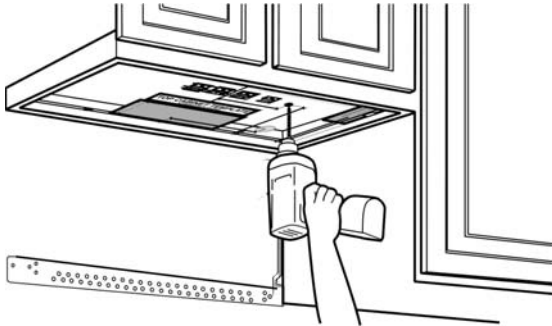
**CAUTION: Be careful to avoid pinching fingers between the back of the mounting plate and the wall.**

3. Tighten all bolts. Pull the mounting plate away from the wall to help tighten the bolts.

# Installation Instructions

## **A2. USE TOP CABINET TEMPLATE FOR PREPARATION OF TOP CABINET**

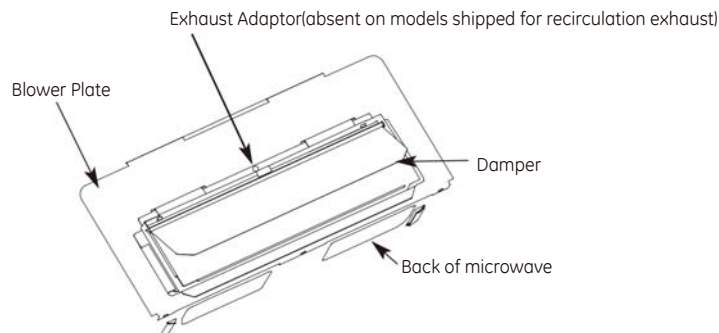
You need to drill holes for the top support screws, a hole large enough for the power cord to fit through, and a cutout large enough for the exhaust adaptor.



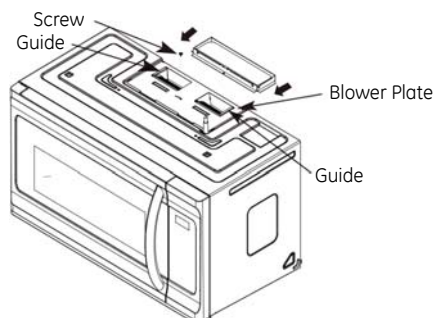
- Read the instructions on the TOP CABINET TEMPLATE.
- Tape it underneath the top cabinet bottom.
- Drill the holes, following the instructions on the TOP CABINET TEMPLATE.

**CAUTION: Wear safety goggles when drilling holes in the cabinet bottom.**

## **A3. CHECK FOR PROPER DAMPER OPERATION**



- Place the microwave in its upright position, with the top of the unit facing up.
- The exhaust adaptor only used for top exhaust and outside back exhaust. It is absent on models shipped for recirculation exhaust.
- **Make sure tape securing damper is removed and damper pivots easily before mounting microwave.**
- Attach the exhaust adaptor to the blower plate by sliding it into the guides. Secure the adaptor with one Sheet Metal Screw provided.



- You will need to make adjustment to assure proper alignment with your house exhaust duct after the microwave is installed.



# Installation Instructions

## A4. MOUNT THE MICROWAVE OVEN



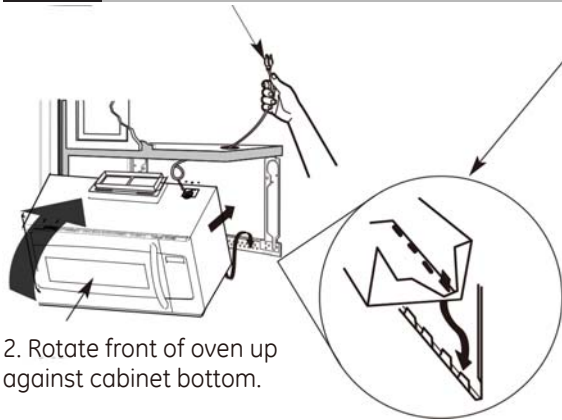
FOR EASIER INSTALLATION AND PERSONAL SAFETY, WE RECOMMEND THAT TWO PEOPLE INSTALL THIS MICROWAVE OVEN.

**IMPORTANT:**

Do not grip or use handle during installation.  
If filler blocks are not used, case damage may occur from over tightening screws.

**NOTE:**

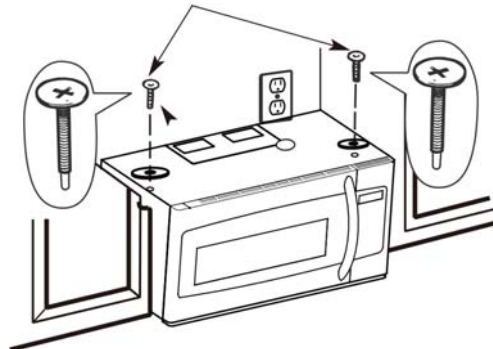
If your cabinet is metal, use the nylon grommet around the power cord hole to prevent cutting of the cord. We recommend using filler blocks if the cabinet front hangs below the cabinet bottom shelf. When mounting the microwave oven, thread power cord through hole in bottom of top cabinet. Keep it tight throughout Step 1-3. Do not pinch cord or lift oven by pulling cord.



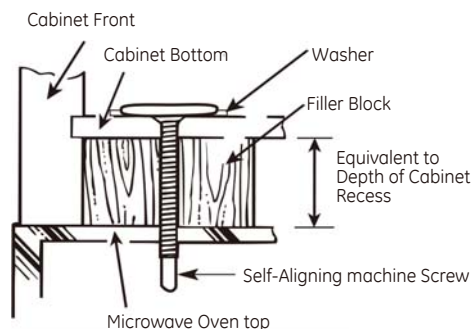
2. Rotate front of oven up against cabinet bottom.

1. Lift microwave, tilt it forward, and hook slots at back bottom edge onto four lower tabs of mounting plate.
2. Rotate front of oven up against cabinet bottom.
3. Attach the microwave oven to the top cabinet.
4. Insert 2 self-aligning machine screws (1/4"-20X3") through outer top cabinet holes. Temporarily secure the oven by turning the screw at least two full turns after the threads have engaged. (It will be completely tightened later.) Be sure to keep power cord tight. Be careful not to pinch the cord, especially when mounting flush to the bottom of cabinet.

Turn two full turns on each screw.



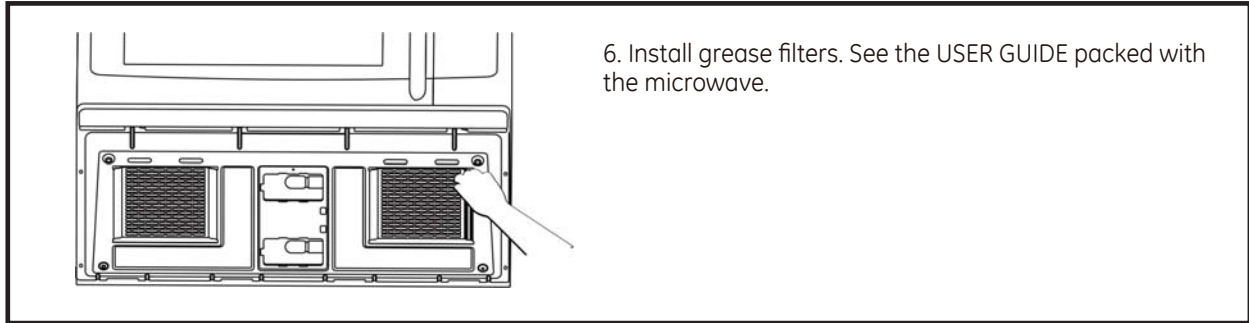
The Filler Block is only used for recessed cabinet, you should place the Filler Block to the cabinet bottom before installing the oven. The specific steps please read the top cabinet template.



5. Tighten the outer two screws to the top of the microwave oven. (During tightening screws, hold the microwave oven in place against the wall and the top cabinet.)

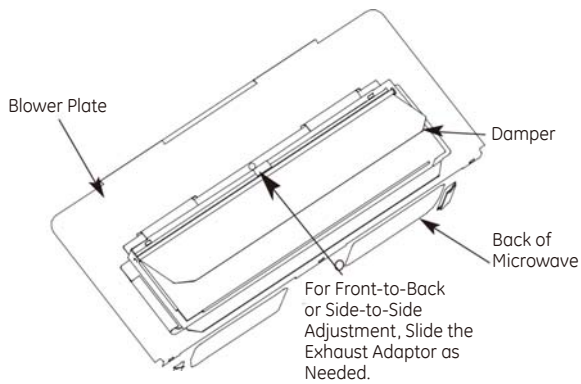


# Installation Instructions

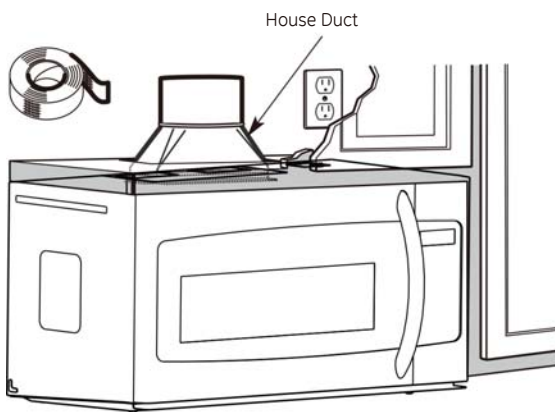


## **A5. ADJUST THE EXHAUST ADAPTOR**

Open the top cabinet and adjust the exhaust adaptor to connect to the house duct.



## **A6. CONNECTING DUCTWORK**



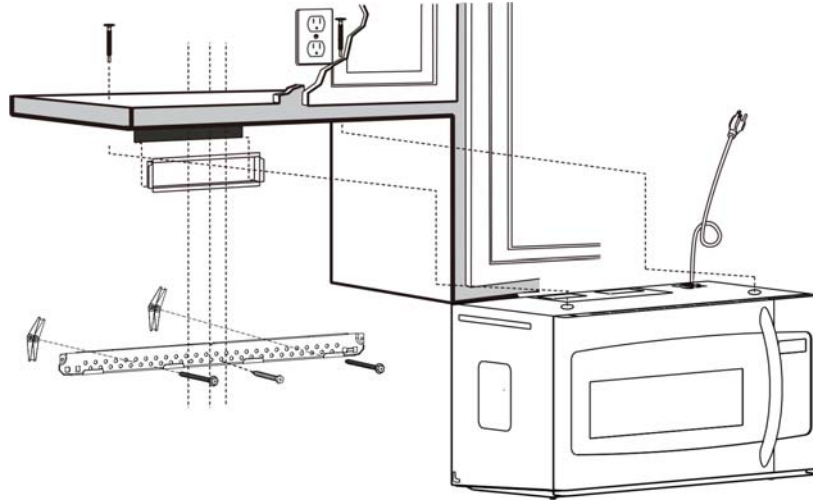
1. Extend the house duct down to connect to the exhaust adaptor.
2. Seal exhaust duct joints using duct tape.

# Installation Instructions

## **B. OUTSIDE BACK EXHAUST (Horizontal Duct)**

### **INSTALLATION OVERVIEW**

- B1. PREPARING THE REAR WALL TEMPLATE FOR OUTSIDE BACK EXHAUST.
- B2. ATTACH THE MOUNTING PLATE TO THE WALL.
- B3. USE TOP CABINET TEMPLATE FOR PREPARATION OF TOP CABINET.
- B4. ADAPTING MICROWAVE BLOWER FOR OUTSIDE BACK EXHAUST.
- B5. MOUNT THE MICROWAVE OVEN.



### **B1. PREPARING THE REAR WALL TEMPLATE FOR OUTSIDE BACK EXHAUST**

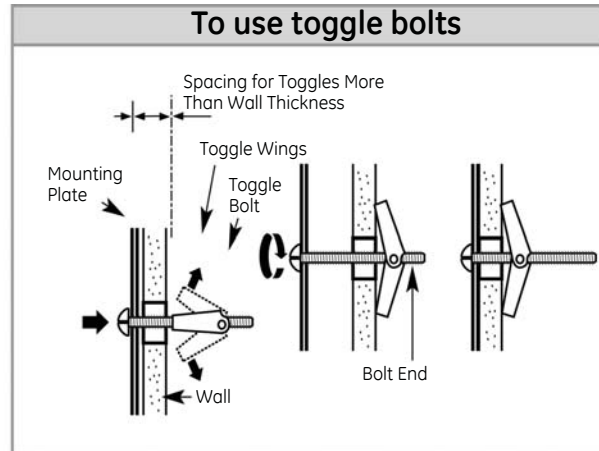
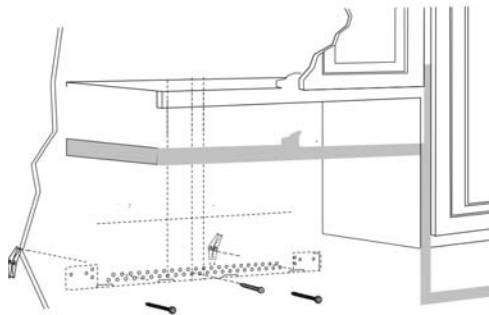
You need to cut an opening (12"\*4" square hole) in the rear wall template for outside exhaust.



- Read the instructions on the REAR wall template.
- Tape it to the rear wall, lining up with the holes previously drilled for holes A and B in the wall plate.
- Cut the opening, following the instructions of the REAR WALL TEMPLATE.

# Installation Instructions

## **B2. ATTACH MOUNTING PLATE TO THE WALL**



Attach the mounting plate to the wall using the wing nuts and machine screws ( $\frac{3}{16}$ " x 3"). At least one wood screw must be used to attach the mounting plate to a wall stud.

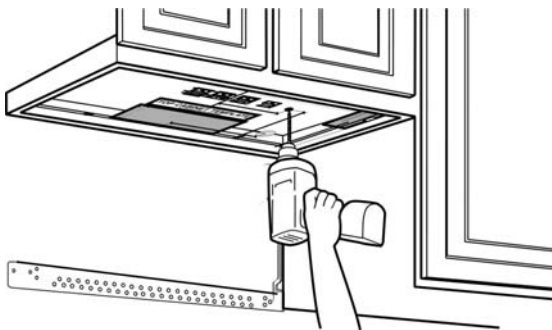
1. Insert the machine screws ( $\frac{3}{16}$ " x 3") into the mounting plate through the holes designed to go into drywall and attach the toggle wings to  $\frac{3}{4}$ " onto each machine screw ( $\frac{3}{16}$ " x 3").
2. Place the mounting plate against the wall and insert the toggle wings into the holes in the wall to mount the plate.

**CAUTION: Be careful to avoid pinching fingers between the back of the mounting plate and the wall.**

3. Tighten all bolts. Pull the mounting plate away from the wall to help tighten the bolts.

## **B3. USE TOP CABINET TEMPLATE FOR PREPARATION OF TOP CABINET**

You need to drill holes for the top support screws and a hole large enough for the power cord to fit through.

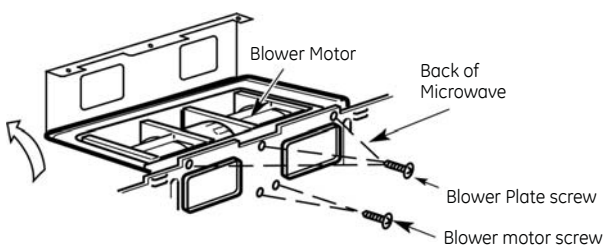


- Read the instructions on the TOP CABINET TEMPLATE.
- Tape it underneath the top cabinet bottom.
- Drill the holes, following the instructions on the TOP CABINET TEMPLATE.

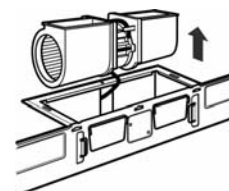
**CAUTION: Wear safety goggles when drilling holes in the cabinet bottom.**

## **B4. ADAPTING MICROWAVE BLOWER FOR OUTSIDE BACK EXHAUST**

1. Remove and save screw that holds blower motor to microwave, Lift up the blower plate.
2. Carefully pull out the blower unit. The wires will extend far enough to allow you to adjust the blower unit.

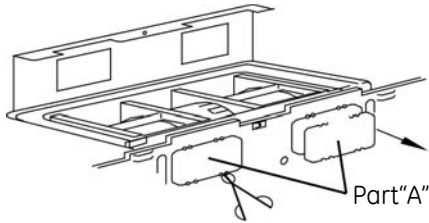


**BEFORE : Fan Blade Openings Facing UP**

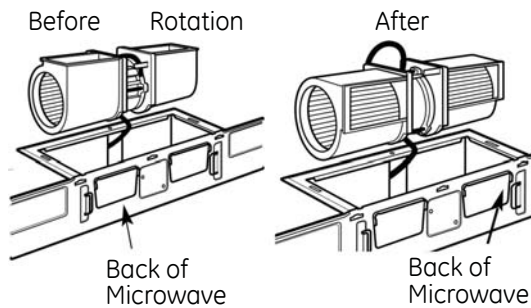


# Installation Instructions

3. Remove "Parts A" with Nipper or Scissors.

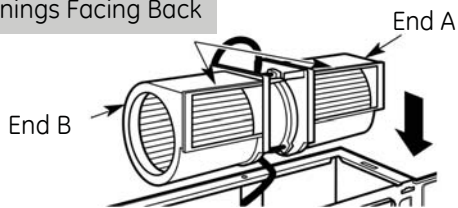


4. Rotate blower unit counterclockwise 90°.



5. Place the blower unit back into the opening.

After Fan Blade  
Openings Facing Back



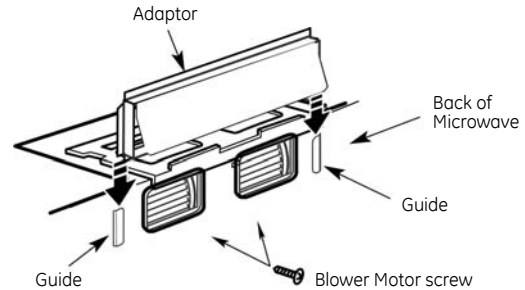
**CAUTION:**

Do not pull or stretch the blower unit wiring. Make sure the wires are not pinched.

**NOTE:**

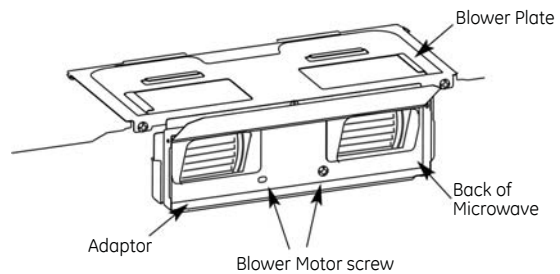
The blower unit exhaust openings should match exhaust openings on rear of microwave oven.

6. Replace the blower plate in the same position.  
7. Attach the exhaust adaptor to the rear of the oven by sliding it into the guides at the top center of the back of the oven.

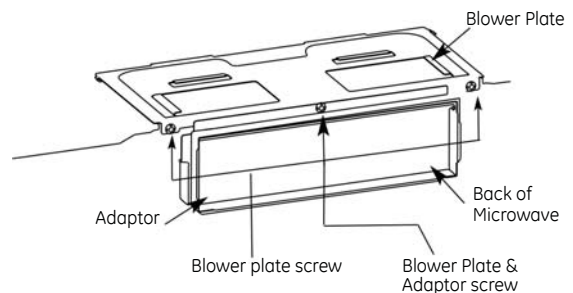


Push in securely until it is in the lower Blower Motor screw. Take care to assure that the damper hinge is installed so that it is at the top and that the damper swings freely.

8. Secure the blower motor unit to the microwave with screw as before.



9. Secure the blower plate to the microwave with screw. Replace the blower plate in the same position.



# Installation Instructions

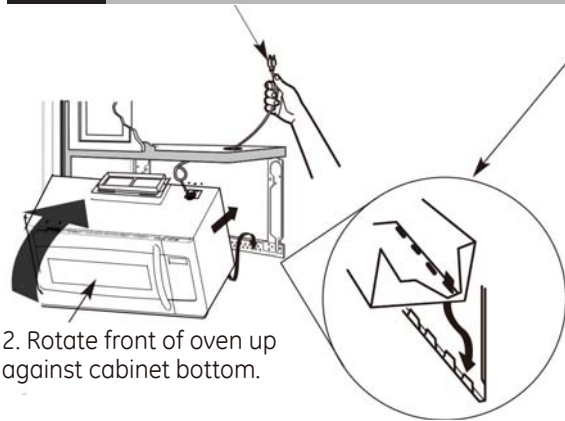
## B5. MOUNT THE MICROWAVE OVEN



FOR EASIER INSTALLATION AND PERSONAL SAFETY, WE RECOMMEND THAT TWO PEOPLE INSTALL THIS MICROWAVE OVEN.

**IMPORTANT:** Do not grip or use handle during installation. If filler blocks are not used, case damage may occur from over tightening screws.

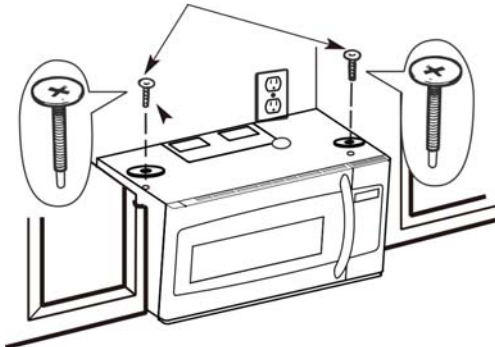
**NOTE:** If your cabinet is metal, use the nylon grommet around the power cord hole to prevent cutting of the cord. We recommend using filler blocks if the cabinet front hangs below the cabinet bottom shelf. When mounting the microwave oven, thread power cord through hole in bottom of top cabinet. Keep it tight throughout Step 1-3. Do not pinch cord or lift oven by pulling cord.



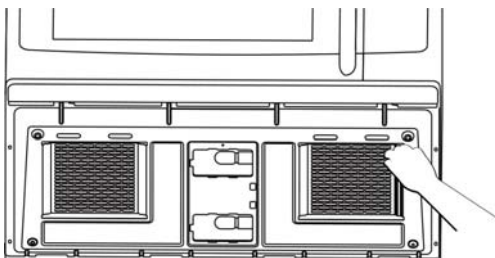
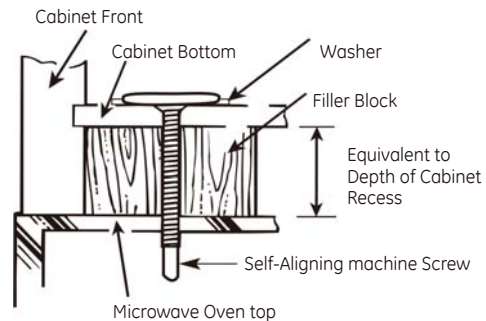
2. Rotate front of oven up against cabinet bottom.

1. Lift microwave, tilt it forward, and hook slots at back bottom edge onto four lower tabs of mounting plate.
2. Rotate front of oven up against cabinet bottom.
3. Attach the microwave oven to the top cabinet.
4. Insert 2 self-aligning machine screws (1/4"-20X3") through outer top cabinet holes. Temporarily secure the oven by turning the screw at least two full turns after the threads have engaged. (It will be completely tightened later.) Be sure to keep power cord tight. Be careful not to pinch the cord, especially when mounting flush to the bottom of cabinet.

Turn two full turns on each screw.



The Filler Block is only used for recessed cabinet, you should place the Filler Block to the cabinet bottom before installing the oven. The specific steps please read the top cabinet template.



5. Tighten the outer two screws to the top of the microwave oven. (During tightening screws, hold the microwave oven in place against the wall and the top cabinet.)

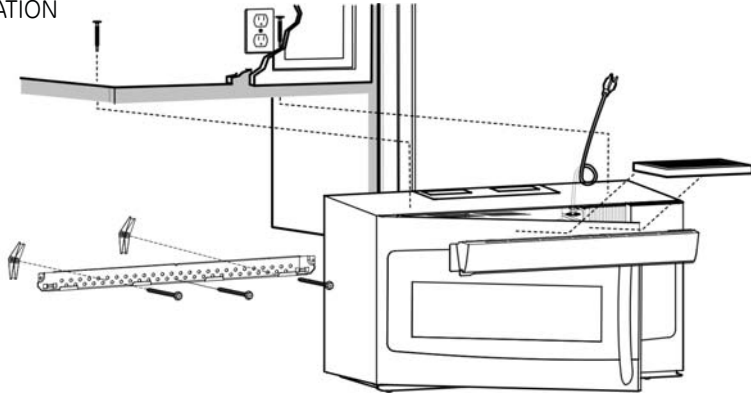
6. Install grease filters. See the USER GUIDE packed with the microwave.

# Installation Instructions

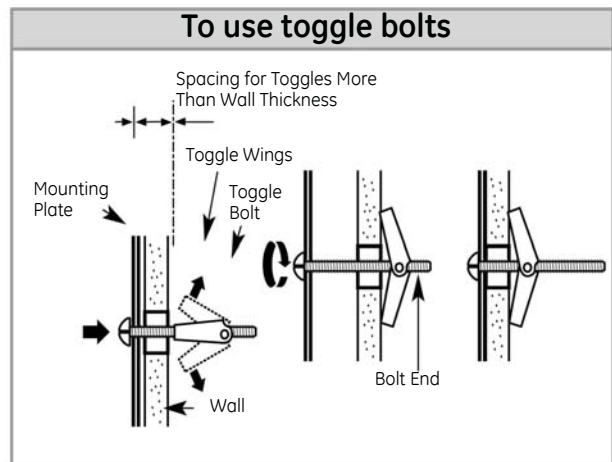
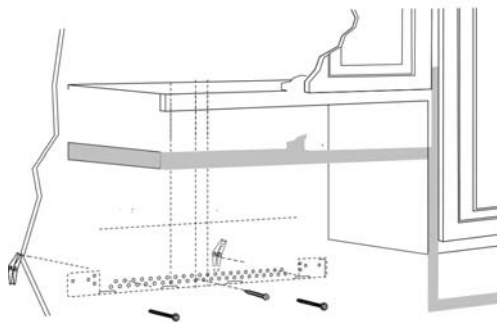
## C. RECIRCULATING (Non-vented Ductless)

### INSTALLATION OVERVIEW

- C1. ATTACH THE MOUNTING PLATE TO THE WALL
- C2. USE TOP CABINET TEMPLATE FOR PREPARATION OF TOP CABINET
- C3. ADAPTING BLOWER FOR RECIRCULATION
- C4. MOUNT THE MICROWAVE OVEN
- C5. CHANGE THE CHARCOAL FILTER



### C1. ATTACH THE MOUNTING PLATE TO THE WALL



Attach the mounting plate to the wall using the wing nuts and machine screws ( $\frac{3}{16}$ " x 3"). At least one wood screw must be used to attach the mounting plate to a wall stud.

1. Insert the machine screws ( $\frac{3}{16}$ " x 3") into the mounting plate through the holes designed to go into drywall and attach the toggle wings to  $\frac{3}{4}$ " onto each machine screw ( $\frac{3}{16}$ " x 3").

2. Place the mounting plate against the wall and insert the toggle wings into the holes in the wall to mount the plate.

**CAUTION: Be careful to avoid pinching fingers between the back of the mounting plate and the wall.**

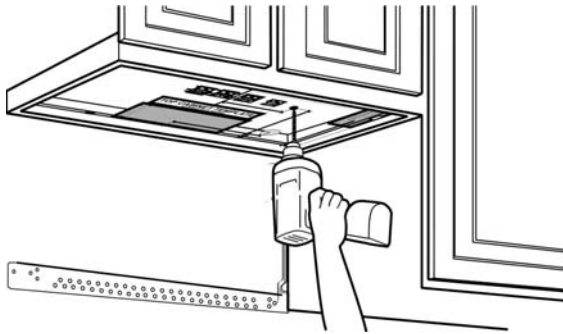
3. Tighten all bolts. Pull the mounting plate away from the wall to help tighten the bolts.



# Installation Instructions

## C2. USE TOP CABINET TEMPLATE FOR PREPARATION OF TOP CABINET

You need to drill holes for the top support screws and a hole large enough for the power cord to fit through.

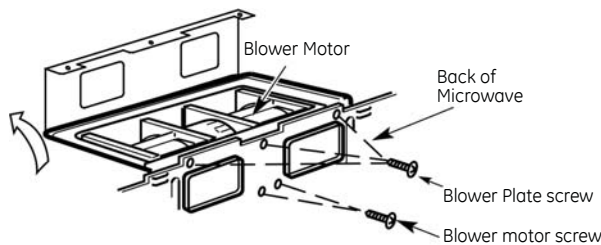


- Read the instructions on the TOP CABINET TEMPLATE.
- Tape it underneath the top cabinet bottom.
- Drill the holes, following the instructions on the TOP CABINET TEMPLATE.

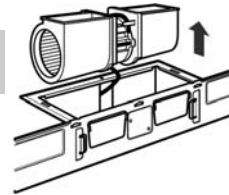
**CAUTION :** Wear safety goggles when drilling holes in the cabinet bottom.

## C3. ADAPTING BLOWER FOR RECIRCULATION

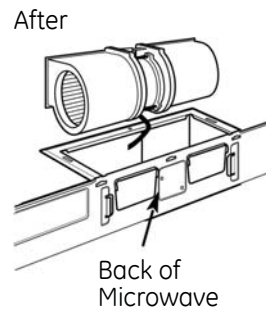
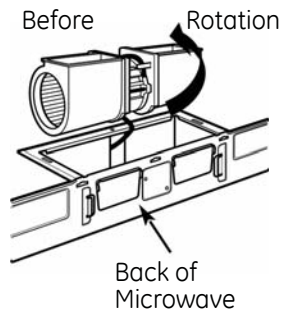
1. Remove and save screw that holds blower motor to microwave, Lift up the blower plate.
2. Carefully pull out the blower unit. The wires will extend far enough to allow you to adjust the blower unit.



BEFORE : Fan Blade Openings Facing UP



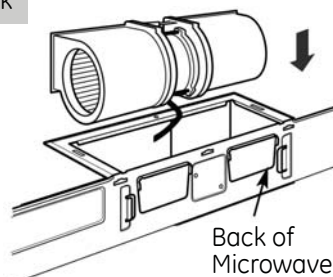
4. Rotate blower unit 90°.



5. Place the blower unit back into the opening.

After Fan Blade Openings Facing Back

After



**CAUTION:**

Do not pull or stretch the blower unit wiring. Make sure the wires are not pinched.

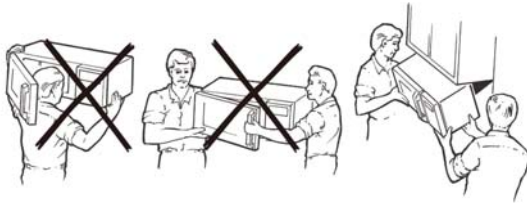
**NOTE:**

The blower unit exhaust openings should match exhaust openings on rear of microwave oven.

6. Replace the blower plate in the same position.

# Installation Instructions

## C4. MOUNT THE MICROWAVE OVEN



FOR EASIER INSTALLATION AND PERSONAL SAFETY, WE RECOMMEND THAT TWO PEOPLE INSTALL THIS MICROWAVE OVEN.

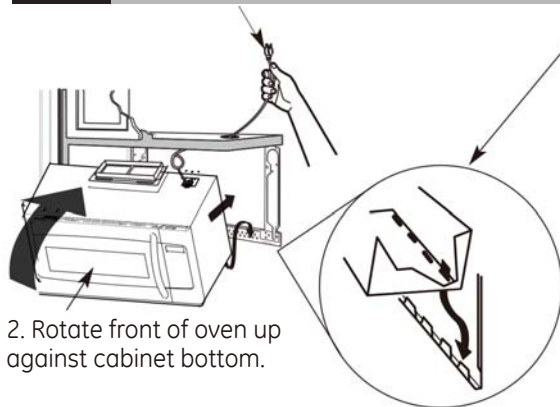
### IMPORTANT:

Do not grip or use handle during installation.

If filler blocks are not used, case damage may occur from over tightening screws.

### NOTE:

If your cabinet is metal, use the nylon grommet around the power cord hole to prevent cutting of the cord. We recommend using filler blocks if the cabinet front hangs below the cabinet bottom shelf. When mounting the microwave oven, thread power cord through hole in bottom of top cabinet. Keep it tight throughout Step 1-3. Do not pinch cord or lift oven by pulling cord.

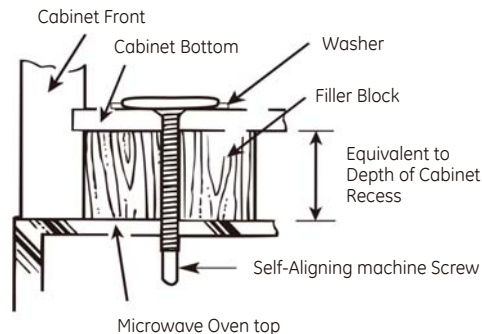
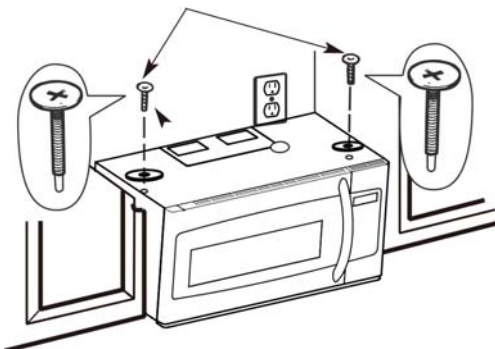


2. Rotate front of oven up against cabinet bottom.

1. Lift microwave, tilt it forward, and hook slots at back bottom edge onto four lower tabs of mounting plate.
2. Rotate front of oven up against cabinet bottom.
3. Attach the microwave oven to the top cabinet.
4. Insert 2 self-aligning machine screws (1/4" - 20X3") through outer top cabinet holes. Temporarily secure the oven by turning the screw at least two full turns after the threads have engaged. (It will be completely tightened later.) Be sure to keep power cord tight. Be careful not to pinch the cord, especially when mounting flush to the bottom of cabinet.

The Filler Block is only used for recessed cabinet, you should place the Filler Block to the cabinet bottom before installing the oven. The specific steps please read the top cabinet template.

Turn two full turns on each screw.



5. Tighten the outer two screws to the top of the microwave oven. (While tightening screws, hold the microwave oven in place against the wall and the top cabinet.)

6. Install grease filters. See the USER GUIDE packed with the microwave.



# Installation Instructions

## BEFORE YOU USE YOUR MICROWAVE

1. Make sure the microwave oven has been installed according to instructions.



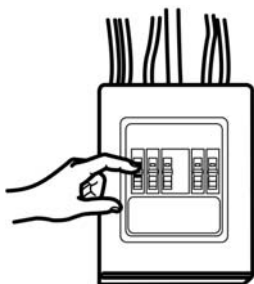
6. Read the USER GUIDE.



2. Remove all packing material from the microwave oven.

3. Install turntable and ring in cavity.

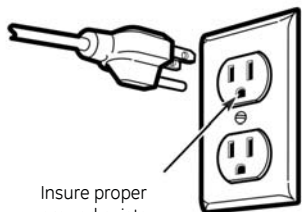
4. Replace house fuse or turn breaker back on.



7. KEEP INSTALLATION INSTRUCTIONS FOR THE LOCAL INSPECTOR'S USE.



5. Plug power cord into a dedicated 20 amp electrical outlet.



Insure proper ground exists before use

# Instructions d'installation

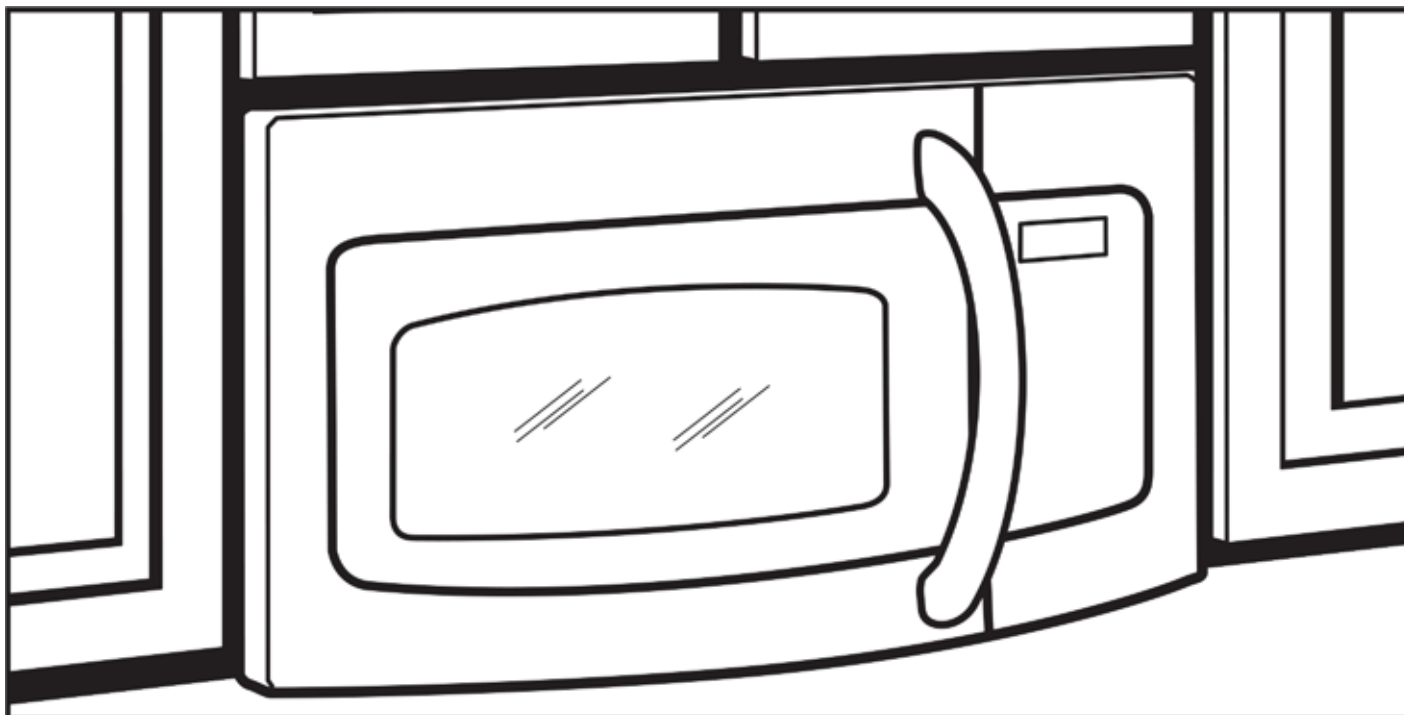
# Four à micro-ondes à hotte intégrée

Des questions? Appelez le 1-800-561-3344 ou visitez notre site Web à : [electromenagersge.ca](http://electromenagersge.ca)

## AVANT DE COMMENCER

Lisez attentivement toutes ces instructions.

- **IMPORTANT** – Conservez ces instructions pour l'inspecteur local.
- **IMPORTANT** – Observez tous les codes et règlements en vigueur.
- **Remarque destinée à l'installateur** – Assurez-vous de laisser ces instructions au consommateur.
- **Remarque destinée au consommateur** – Conservez ces instructions pour vous y reporter ultérieurement.
- **Niveau de compétence** – L'installation de cet appareil nécessite des compétences de base en mécanique et en électricité.
- L'installateur est responsable de la qualité de l'installation.
- Une panne du produit due à une mauvaise installation n'est pas couverte par la garantie.



VEUILLEZ LIRE ATTENTIVEMENT.  
CONSERVEZ CES INSTRUCTIONS.

# Instructions d'installation

## Renseignements généraux

Introduction .....	3
AVANT DE COMMENCER .....	3
CONSIGNES DE SÉCURITÉ IMPORTANTES .....	3
EXIGENCES ÉLECTRIQUES .....	3
ÉVACUATION DE LA HOTTE .....	4
DOMMAGES – EXPÉDITION/INSTALLATION .....	6
PIÈCES COMPRISES .....	6
Outils nécessaires .....	7
DÉGAGEMENTS POUR L'INSTALLATION .....	7

## Guide d'installation étape par étape

INSTALLATION DE LA PLAQUE DE MONTAGE .....	8 à 12
A. ENLÈVEMENT DU FOUR À MICRO-ONDES DE LA BOÎTE/ ENLÈVEMENT DE LA PLAQUE DE MONTAGE .....	8
B. LOCALISATION DES MONTANTS .....	8
C. DÉTERMINER L'EMPLACEMENT DE LA LIGNE SUPÉRIEURE DU GABARIT POUR LE MUR ARRIÈRE .....	9
D. ALIGNER LA LIGNE SUPÉRIEURE DU GABARIT POUR LE MUR ARRIÈRE .....	12
TYPES D'INSTALLATION (Choisissez A, B ou C) .....	13 à 24
A. ÉVACUATION À L'EXTÉRIEUR PAR LE DESSUS (Conduit vertical) PAR DÉFAUT .....	14 à 17
A1. FIXATION DE LA PLAQUE DE MONTAGE AU MUR .....	14
A2. UTILISATION DU GABARIT POUR L'ARMOIRE SUPÉRIEURE POUR LA PRÉPARATION DE L'ARMOIRE SUPÉRIEURE .....	15
A3. VÉRIFICATION DU FONCTIONNEMENT DU REGISTRE .....	15
A4. INSTALLATION DU FOUR À MICRO-ONDES .....	16
A5. AJUSTEMENT DE L'ADAPTATEUR D'ÉVACUATION .....	17
A6. CONNEXION AU CONDUIT .....	17
B. ÉVACUATION À L'EXTÉRIEUR PAR L'ARRIÈRE (Conduit horizontal) .....	18 à 21
B1. PRÉPARATION DU GABARIT POUR LE MUR ARRIÈRE POUR L'ÉVACUATION À L'EXTÉRIEUR PAR L'ARRIÈRE .....	18
B2. FIXATION DE LA PLAQUE DE MONTAGE AU MUR .....	19

B3. UTILISATION DU GABARIT POUR L'ARMOIRE  
SUPÉRIEURE POUR LA PRÉPARATION DE  
L'ARMOIRE SUPÉRIEURE .....

19

B4. ADAPTATION DU VENTILATEUR DU FOUR  
À MICRO-ONDES POUR L'ÉVACUATION À  
L'EXTÉRIEUR PAR L'ARRIÈRE .....

19

B5. INSTALLATION DU FOUR À MICRO-ONDES .....

21

C. RECYCLAGE D'AIR (Évacuation sans conduit) .....

22 à 25

C1. FIXATION DE LA PLAQUE DE MONTAGE  
AU MUR .....

22

C2. UTILISATION DU GABARIT POUR L'ARMOIRE  
SUPÉRIEURE POUR LA PRÉPARATION DE  
L'ARMOIRE SUPÉRIEURE .....

22

C3. ADAPTATION DU VENTILATEUR POUR LE  
RECYCLAGE D'AIR .....

23

C4. INSTALLATION DU FOUR À MICRO-ONDES .....

24

AVANT D'UTILISER VOTRE FOUR À MICRO-ONDES .....

25

# Instructions d'installation

## Introduction

Ce guide d'installation illustrera comment installer votre nouveau four à micro-ondes à hotte intégrée.

## AVANT DE COMMENCER

Lisez attentivement toutes ces instructions.

- **IMPORTANT** – Conservez ces instructions pour l'inspecteur local.
- **IMPORTANT** – Observez tous les codes et règlements en vigueur.
- Remarque destinée à l'installateur – Assurez-vous de laisser ces instructions au consommateur.
- Remarque destinée au consommateur – Conservez ces instructions pour vous y reporter ultérieurement.
- Niveau de compétence – L'installation de cet appareil nécessite des compétences de base en mécanique et en électricité.
- L'installateur est responsable de la qualité de l'installation.
- Une panne du produit due à une mauvaise installation n'est pas couverte par la garantie.

## CONSIGNES DE SÉCURITÉ IMPORTANTES

**IMPORTANT – VEUILLEZ LIRE ATTENTIVEMENT. POUR VOTRE SÉCURITÉ, CET APPAREIL DOIT ÊTRE CONVENABLEMENT MIS À LA TERRE POUR ÉVITER UN CHOC GRAVE OU MORTEL.**

Ce produit exige une prise de courant à trois alvéoles et une mise à la terre pour un fonctionnement sécuritaire. Si ce n'est pas le cas, ou si la boîte ne répond pas aux exigences électriques indiquées (à la section **EXIGENCES ÉLECTRIQUES**), il est nécessaire de faire appel à un électricien qualifié pour corriger tout défaut.

Pour diminuer les risques de chocs électriques, le cordon d'alimentation de cet appareil est muni d'une fiche à trois broches (mise à la terre) qui correspond à une prise murale à trois alvéoles (prise mise à la terre).

Demandez à un électricien qualifié de vérifier la prise murale et le circuit électrique pour vous assurer que la prise murale est correctement mise à la terre.

Si la prise murale est du type standard à deux alvéoles, il est très important de la faire remplacer par une prise à trois alvéoles correctement mise à la terre, en vous adressant à un électricien qualifié.

**NE COUPEZ, NE DÉFORMEZ ET NE RETIREZ EN AUCUN CAS LES BROCHES (MISE À LA TERRE) DE LA FICHE DU CORDON D'ALIMENTATION.**

**N'UTILISEZ PAS DE CORDON PROLONGATEUR.**



### Remarque

Pour faciliter l'installation et pour votre sécurité, il est recommandé que l'installation de ce produit soit effectuée par deux personnes.

### Attention

Pour votre sécurité, enlevez le fusible ou déclenchez le disjoncteur au panneau de distribution principal avant d'entreprendre l'installation, afin d'éviter toute blessure grave ou mortelle imputable à un choc électrique.

Pour votre sécurité, la surface de montage doit être en mesure de supporter la charge des armoires, ainsi qu'un poids supplémentaire de 50 à 70 lb (22,7 à 31,8 kg) correspondant au poids du produit, et la charge du four qui peut atteindre 50 lb (22,7 kg), pour un poids total de 100 à 135 lb (45,4 à 54,4 kg).

Pour votre sécurité, ce produit ne doit pas être installé sous des armoires aménagées en îlot ou en péninsule. Il doit être fixé **À LA FOIS** à une armoire supérieure ET à un mur.



## EXIGENCES ÉLECTRIQUES

Les caractéristiques nominales de ce four à micro-ondes sont : 120 V CA, 60 Hz, 14 A et 1,5 kW. Cet appareil doit être branché à un circuit d'alimentation de tension et de fréquence appropriées. La taille des fils doit être conforme aux exigences du Code national de l'électricité ou du code local en vigueur pour cette puissance nominale. La fiche du cordon d'alimentation doit être branchée dans une prise de courant distincte mise à la terre, de 20 ampères. La boîte de la prise doit être aménagée dans l'armoire située au-dessus du four à micro-ondes. La boîte de la prise et le circuit d'alimentation doivent être installés par un électricien qualifié, conformément aux normes du Code national de l'électricité ou du code local en vigueur.

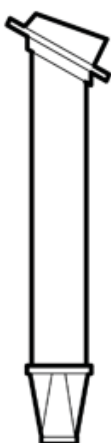
# Instructions d'installation




## ÉVACUATION DE LA HOTTE

REMARQUE : Ne lisez les deux pages suivantes que si vous décidez d'évacuer l'air du ventilateur à l'extérieur. Si vous décidez de recycler l'air dans la pièce, rendez-vous à la page 6.

### ÉVACUATION À L'EXTÉRIEUR PAR LE DESSUS (EXEMPLE SEULEMENT)

Le tableau suivant décrit un exemple d'installation de conduit.



PIÈCES DE CONDUIT		LONGUEUR ÉQUIVALENTE	x	NOMBRE UTILISÉ	=	LONGUEUR ÉQUIVALENTE
	Chapeau de toit	24 pi (7,3 m)	x	(1)	=	24 pi (7,3 m)
	Conduit droit rond de 12 pi (3,7 m) (rond de 6 po [15,2 cm])	12 pi (3,7 m)	x	(1)	=	12 pi (3,7 m)
	Adaptateur de transition rectangulaire à rond*	5 pi (1,5 m)	x	(1)	=	5 pi (1,5 m)
					<b>Longueur totale</b>	<b>= 41 pi (12,5 m)</b>




Les longueurs équivalentes des pièces de conduits sont basées sur des essais réels et représentent les longueurs nécessaires à une bonne ventilation pour n'importe quelle hotte.

\* IMPORTANT : Si vous utilisez un adaptateur de transition rectangulaire à rond, il faudra couper les coins inférieurs du registre aux dimensions de l'adaptateur à l'aide de cisailles pour que le registre puisse bouger.

### ÉVACUATION À L'EXTÉRIEUR PAR L'ARRIÈRE (EXEMPLE SEULEMENT)

Le tableau suivant décrit un exemple d'installation de conduit.



PIÈCES DE CONDUIT		LONGUEUR ÉQUIVALENTE	x	NOMBRE UTILISÉ	=	LONGUEUR ÉQUIVALENTE
	Chapeau mural	40 pi (12,2 m)	x	(1)	=	40 pi (12,2 m)
	Conduit droit de 3 pi (0,9 m) (rectangulaire de 3¼ x 10 po [8,3 x 25,4 cm])	3 pi (0,9 m)	x	(1)	=	3 pi (0,9 m)
	Coude de 90°	10 pi (3 m)	x	(1)	=	20 pi (6,1 m)
					<b>Longueur totale</b>	<b>= 63 pi (19,2 m)</b>

Les longueurs équivalentes des pièces de conduits sont basées sur des essais réels et représentent les longueurs nécessaires à une bonne ventilation pour n'importe quelle hotte.

REMARQUE : Dans le cas d'évacuation par l'arrière, vous devez faire attention d'aligner le conduit d'évacuation avec les espaces entre les montants, ou le mur devrait être préparé au moment de la construction en laissant assez d'espace entre les montants pour recevoir le conduit.

# Instructions d'installation

**REMARQUE :** Si vous devez installer des conduits, notez que la longueur totale du conduit rectangulaire de 3-1/4 x 10 po (8,3 x 25,4 cm) ou du conduit rond de 6 po (15,2 cm) de diamètre **ne doit pas excéder une longueur équivalente à 140 pi (42,7 m).**

L'évacuation vers l'extérieur requiert un CONDUIT D'ÉVACUATION POUR HOTTE. Lisez attentivement ce qui suit.

**REMARQUE :** Il est important que l'évacuation soit installée en utilisant le chemin le plus direct et avec le moins de coudes possible. Cela assure une bonne évacuation et aide à prévenir les blocages. **Assurez-vous également que les registres bougent librement et que rien ne bloque les conduits.**

## Connexion au conduit :





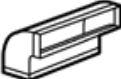



La sortie d'évacuation de la hotte a été conçue pour être raccordée à un conduit rectangulaire standard de 3-1/4 x 10 po (8,3 x 25,4 cm).

Si vous devez installer un conduit rond, il faut utiliser un adaptateur de transition rectangulaire à rond. **N'utilisez pas un conduit dont le diamètre est inférieur à 6 po (15,2 cm).**

## Longueur maximale du conduit :

Pour une circulation d'air satisfaisante, la longueur totale du conduit rectangulaire de 3-1/4 x 10 po (8,3 x 25,4 cm) ou du conduit rond de 6 po (15,2 cm) de diamètre ne doit pas excéder une longueur équivalente à 140 pi (42,7 m).

**Les coudes, adaptateurs de transition, événements muraux ou de toiture, etc.,** offrent une résistance supplémentaire à la circulation de l'air et sont équivalents à une section de conduit droit plus longue que leur dimension réelle. Lorsque vous calculez la longueur totale du conduit, ajoutez les longueurs équivalentes de tous les adaptateurs de transition et des coudes, ainsi que la longueur de toutes les sections de conduit droit. Vous trouverez dans le tableau ci-dessous la longueur équivalente approximative en pieds et en mètres de certains types de conduits.

PIÈCES DE CONDUIT		LONGUEUR ÉQUIVALENTE	x	NOMBRE UTILISÉ	=	LONGUEUR ÉQUIVALENTE
	Adaptateur de transition rectangulaire à rond*	5 pi (1,5 m)	x	( )	=	pi
	Chapeau mural	40 pi (12,2 m)	x	( )	=	pi
	Coude de 90°	10 pi (3 m)	x	( )	=	pi
	Coude de 45°	5 pi (1,5 m)	x	( )	=	pi
	Coude de 90°	25 pi (7,6 m)	x	( )	=	pi
	Coude de 45°	5 pi (1,5 m)	x	( )	=	pi
	Chapeau de toit	24 pi (7,3 m)	x	( )	=	pi
	Conduit droit rond de 6 po (15,2 cm) ou rectangulaire de 3 1/4 x 10 po (8,3 x 25,4 cm)	1 pi (0,3 m)	x	( )	=	pi
<b>Conduit total</b>					<b>=</b>	<b>pi</b>







**\* IMPORTANT :** Si vous utilisez un adaptateur de transition rectangulaire à rond, il faudra couper les coins inférieurs du registre aux dimensions de l'adaptateur à l'aide de ciseaux pour que le registre puisse bouger. Les longueurs équivalentes des pièces de conduits sont basées sur des essais réels et représentent les longueurs nécessaires à une bonne ventilation pour n'importe quelle hotte.

# Instructions d'installation






## DOMMAGES – EXPÉDITION/INSTALLATION

- Si l'appareil est endommagé durant le transport, retournez-le au magasin où vous l'avez acheté pour le faire réparer ou remplacer.
- Si l'appareil est endommagé par le client, la réparation ou le remplacement reste à la charge du client.
- Si l'appareil est endommagé par l'installateur (s'il ne s'agit pas du client), la réparation ou le remplacement doivent faire l'objet d'une entente entre le client et l'installateur.

## PIÈCES COMPRISES

PIÈCE	QUANTITÉ
 Plaque de montage	1
 Adaptateur d'évacuation	1
 Rondelle	2
 Vis à tôle	2





## QUINCAILLERIE

PIÈCE	QUANTITÉ
 Vis à bois ( $\frac{1}{4}$ x 2 po [6 mm x 5,1 cm])	2
 Écrous à oreilles	2
 Vis à métaux ( $\frac{3}{16}$ x 3 po [4,8 mm x 7,6 cm])	2
 Vis à métaux à auto-alignement ( $\frac{1}{4}$ po-20 x 3 po [7,6 mm])	2
 Passe-fil en nylon (pour les armoires en métal)	1

Vous trouverez les pièces de quincaillerie dans un sachet fourni avec l'appareil. Vérifiez que vous avez reçu toutes ces pièces.

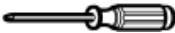

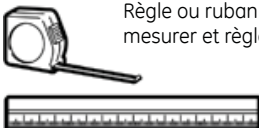



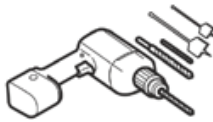






**REMARQUE :** Des pièces supplémentaires sont incluses.

## AUTRES PIÈCES

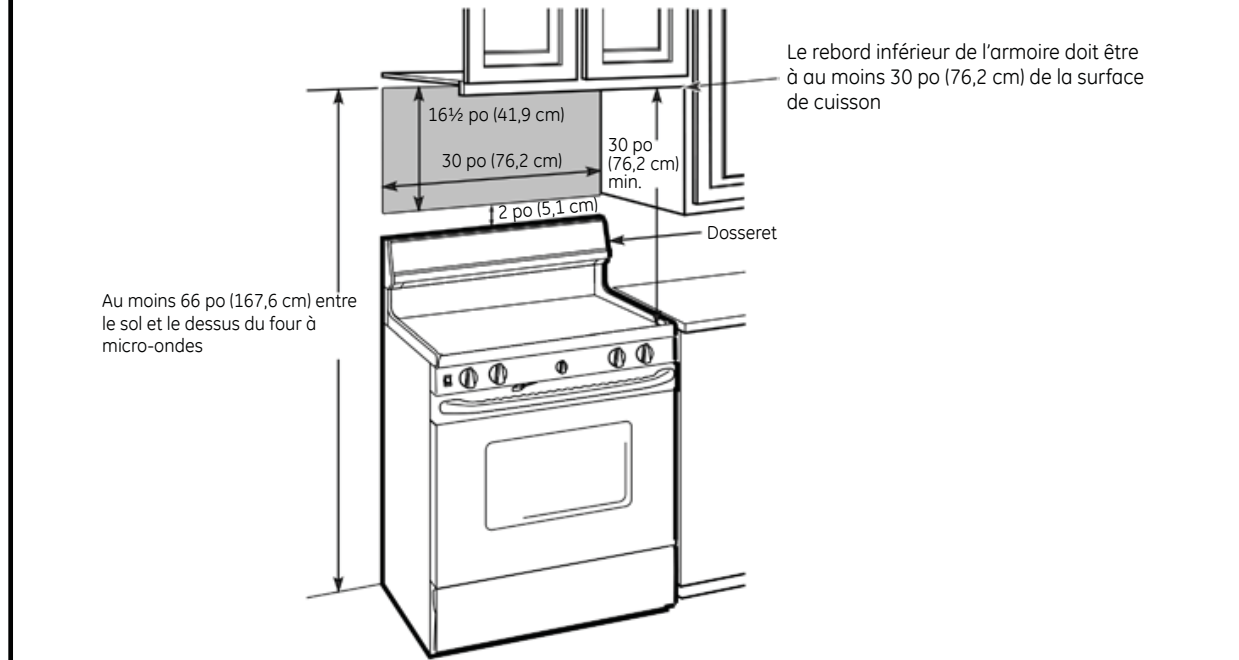
PIÈCE	QUANTITÉ
 GABARIT POUR L'ARMOIRE SUPÉRIEURE	Gabarit pour l'armoire supérieure 1
 GABARIT POUR LE MUR ARRIÈRE	Gabarit pour le mur arrière 1
 Instructions d'installation	Instructions d'installation 1
 Filtres à graisses emballés séparément	2

# Instructions d'installation

## OUTILS NÉCESSAIRES

 Tournevis Phillips n° 1 et n° 2	 Crayon	 Règle ou ruban à mesurer et règle droite	 Équerre de menuisier (facultative)
 Ciseaux de ferblantier (pour couper le registre, si nécessaire)	 Ciseaux (pour couper le gabarit, si nécessaire)	 Perceuse électrique avec forets de 3/16 po, 1/2 po et 5/8 po (4,8 mm, 13 mm et 15,9 mm)	
 Gants	 Lunettes de sécurité	 Ruban adhésif en toile et ruban-cache	 Localisateur de montant ou marteau (facultatif)
 Scie (sauteuse, trépan ou à guichet)	 Niveau		

## DÉGAGEMENTS POUR L'INSTALLATION



### REMARQUES :

- Il faut un espace d'au moins 30 po (76,2 cm) entre les armoires, sans obstructions.
- Si l'espace entre les armoires est supérieur à 30 po (76,2 cm), un matériau de remplissage peut être utilisé pour combler l'espace entre le four à micro-ondes et les armoires.
- Ce four à micro-ondes est conçu pour une installation au-dessus de cuisinières de moins de 36 po (91,4 cm) de largeur.
- Si l'évacuation de l'air de votre four à micro-ondes s'effectue vers l'extérieur, consultez la section « Évacuation de la hotte » pour la préparation du conduit d'évacuation.
- Lorsque vous installez le four à micro-ondes sous des armoires dont le fond est lisse et plat, suivez attentivement les directives indiquées en ce qui concerne le dégagement du cordon d'alimentation. Assurez-vous de laisser un espace suffisant pour le dégagement du cordon d'alimentation.

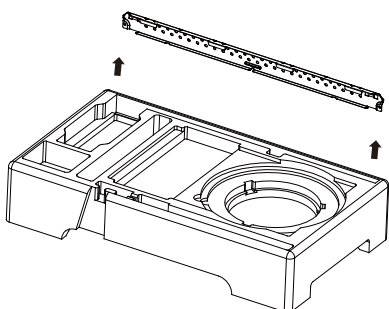


# Instructions d'installation

## 1. INSTALLATION DE LA PLAQUE DE MONTAGE

### A. ENLÈVEMENT DU FOUR À MICRO-ONDES DE LA BOÎTE/ENLÈVEMENT DE LA PLAQUE DE MONTAGE

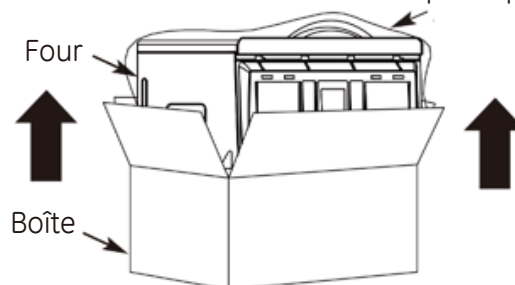
1. Ouvrez la boîte et retirez la mousse d'emballage supérieure de la boîte. N'oubliez pas de conserver les accessoires.
2. Sortez le four de la boîte et retirez le sac en plastique avec précaution.
3. Retirez le support de montage de la mousse d'emballage supérieure.



Mousse d'emballage supérieure



Sac en plastique



### B. LOCALISATION DES MONTANTS

1. Localisez les montants en utilisant une des méthodes suivantes :

A. Localisateur de montant – un dispositif magnétique permettant de localiser les clous.

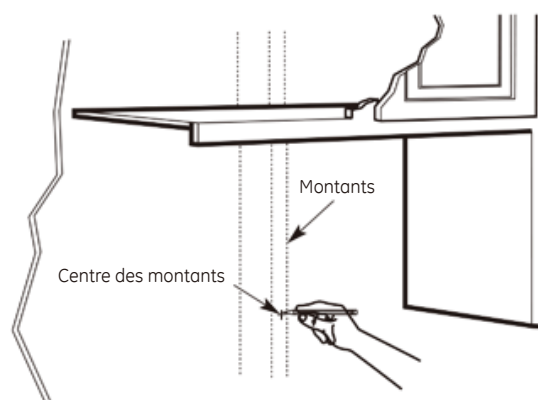
OU

B. Utilisez un marteau pour frapper légèrement sur la surface de montage jusqu'à ce que vous n'entendiez plus un son creux. Cela signifie que vous avez trouvé un montant.

2. Après avoir localisé le ou les montants, trouvez-en le centre en vérifiant le mur à l'aide d'un petit clou afin de trouver les rebords du montant. Puis, faites une marque à mi-chemin entre les deux bords. Le centre de tout montant adjacent doit se trouver à 16 po (40,6 cm) ou 24 po (61 cm) de cette marque.

3. Tracez une ligne verticale au milieu des montants.

**LE FOUR À MICRO-ONDES DOIT ÊTRE FIXÉ À AU MOINS UN MONTANT DU MUR.**



# Instructions d'installation

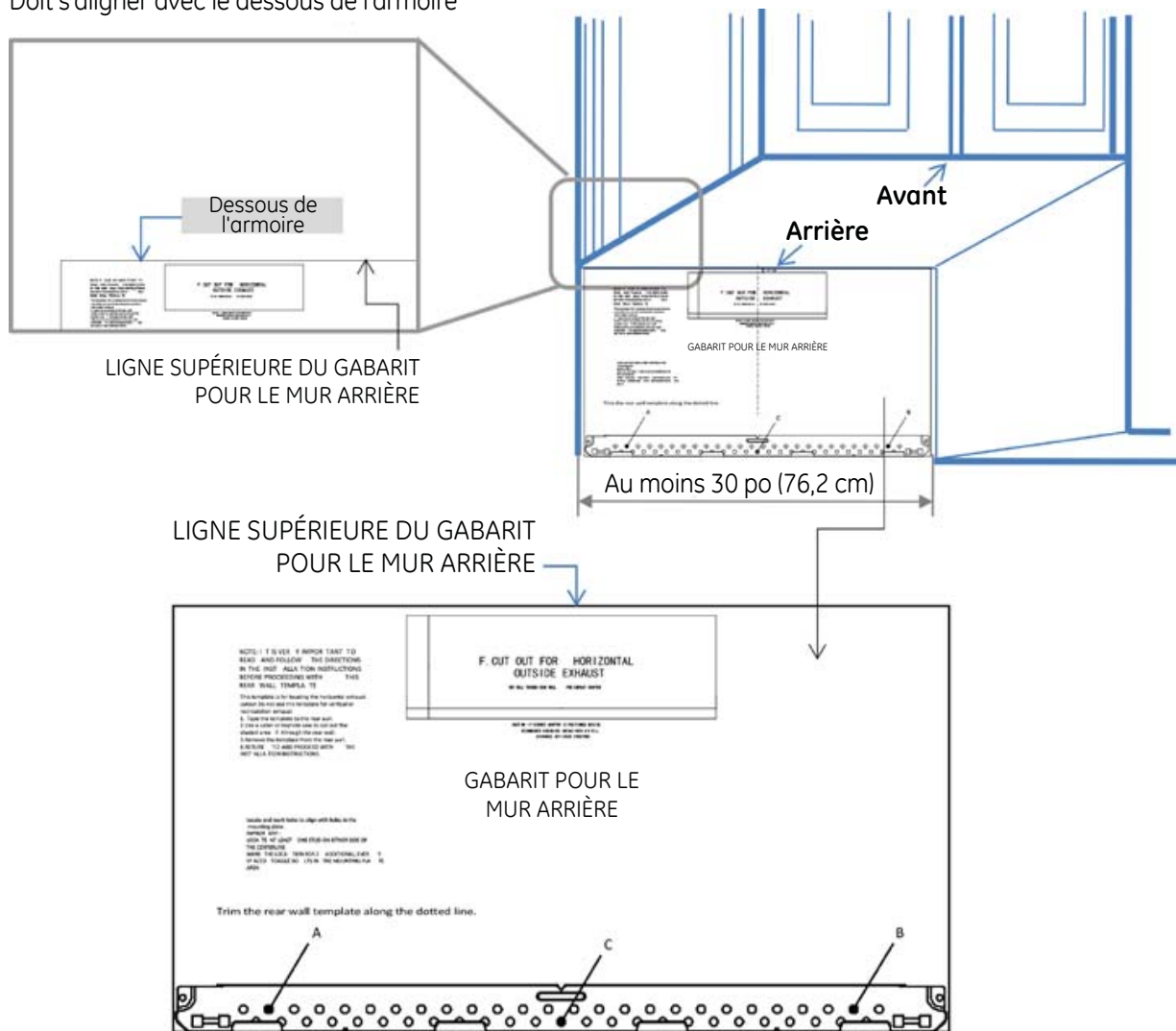
## C. DÉTERMINER L'EMPLACEMENT DE LA LIGNE SUPÉRIEURE DU GABARIT POUR LE MUR ARRIÈRE SOUS VOTRE ARMOIRE

Le bas de l'armoire est de trois types :

### 1. Sous une armoire à fond plat

LIGNE SUPÉRIEURE DU GABARIT POUR LE MUR ARRIÈRE

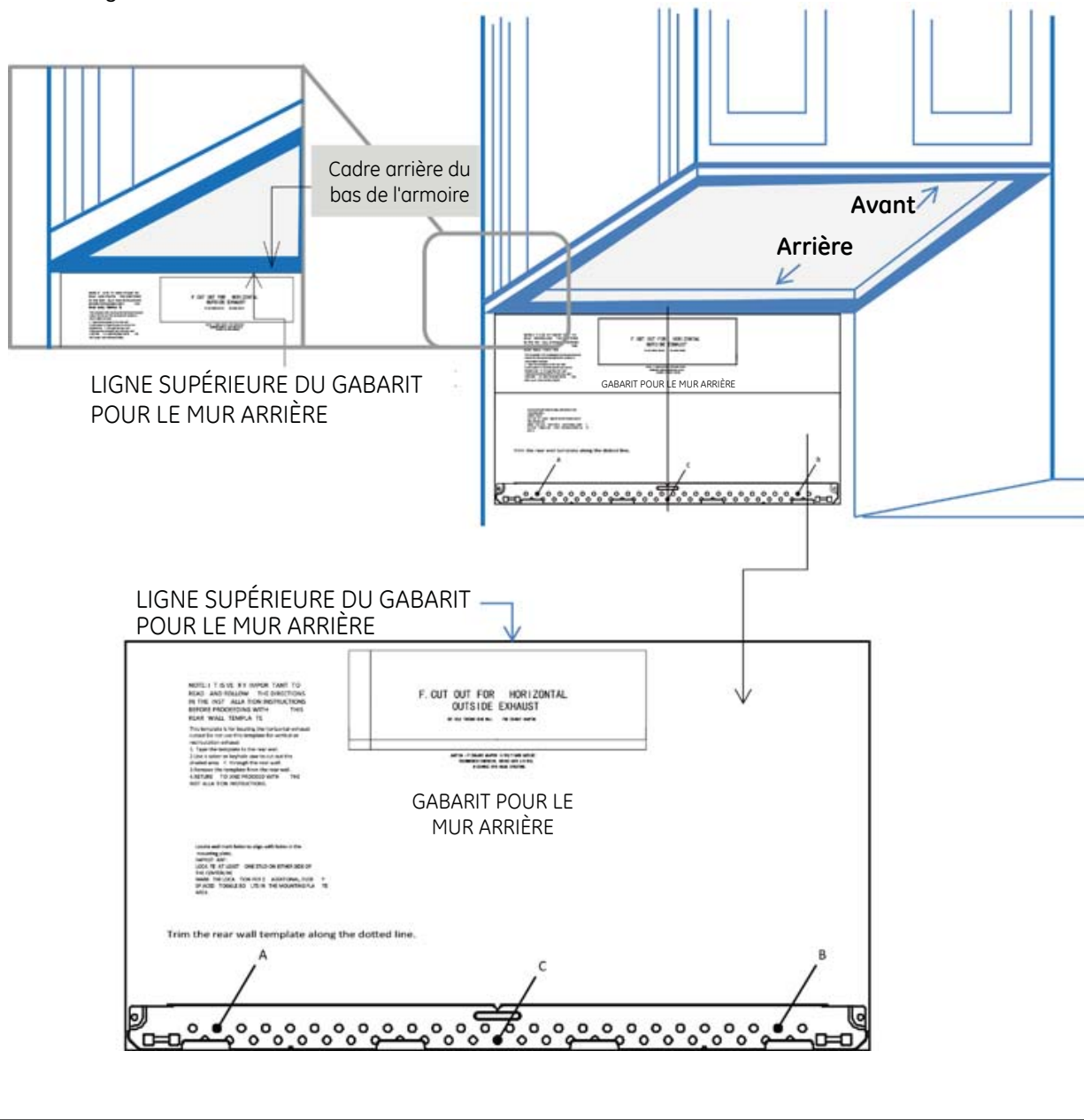
Doit s'aligner avec le dessous de l'armoire



# Instructions d'installation

## 2. Sous une armoire dont le fond est doté d'un rebord

LIGNE SUPÉRIEURE DU GABARIT POUR LE MUR ARRIÈRE  
Doit s'aligner avec le cadre arrière du bas de l'armoire



# Instructions d'installation

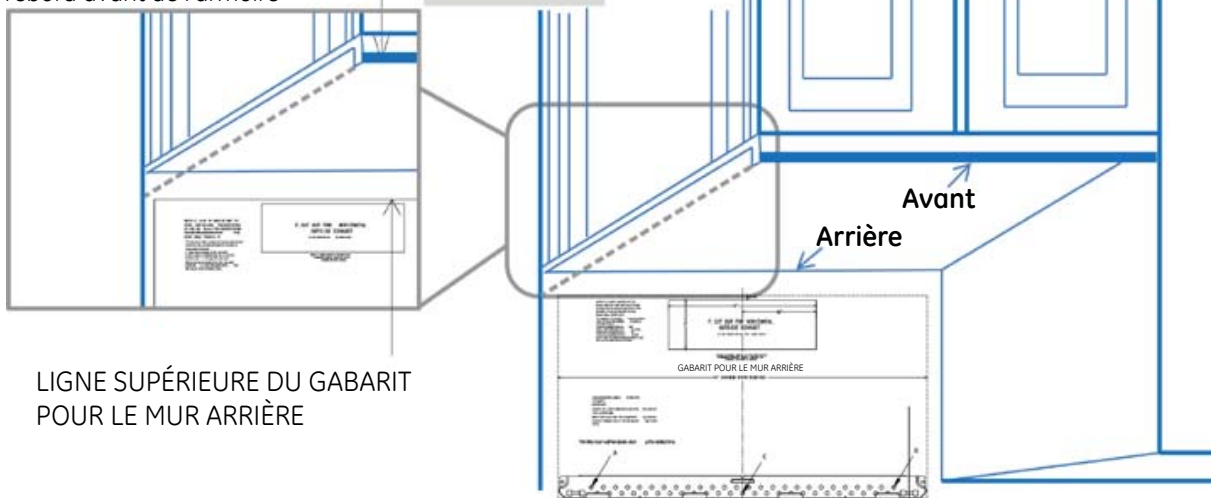
## 3. Sous une armoire dotée d'un rebord avant

### LIGNE SUPÉRIEURE DU GABARIT POUR LE MUR ARRIÈRE

Doit s'aligner avec le dessous du bas de l'armoire à la même distance que le bas du rebord avant de l'armoire

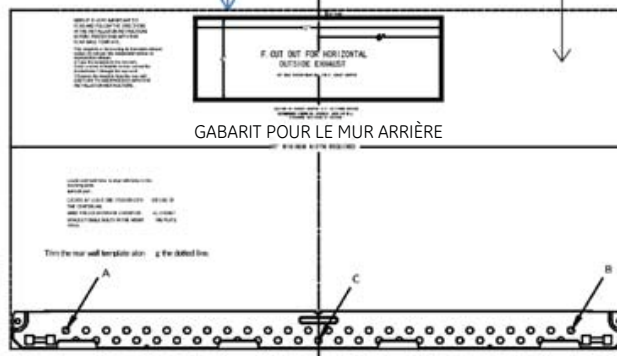
Dessous du bas de l'armoire à la même distance que le bas du rebord avant de l'armoire

Rebord avant du bas de l'armoire



LIGNE SUPÉRIEURE DU GABARIT POUR LE MUR ARRIÈRE

LIGNE SUPÉRIEURE DU GABARIT POUR LE MUR ARRIÈRE



Vos armoires peuvent être dotées de garnitures décoratives qui entravent l'installation du four à micro-ondes.

Enlevez l'élément décoratif pour installer convenablement le four à micro-ondes et pour vous assurer qu'il est de niveau.

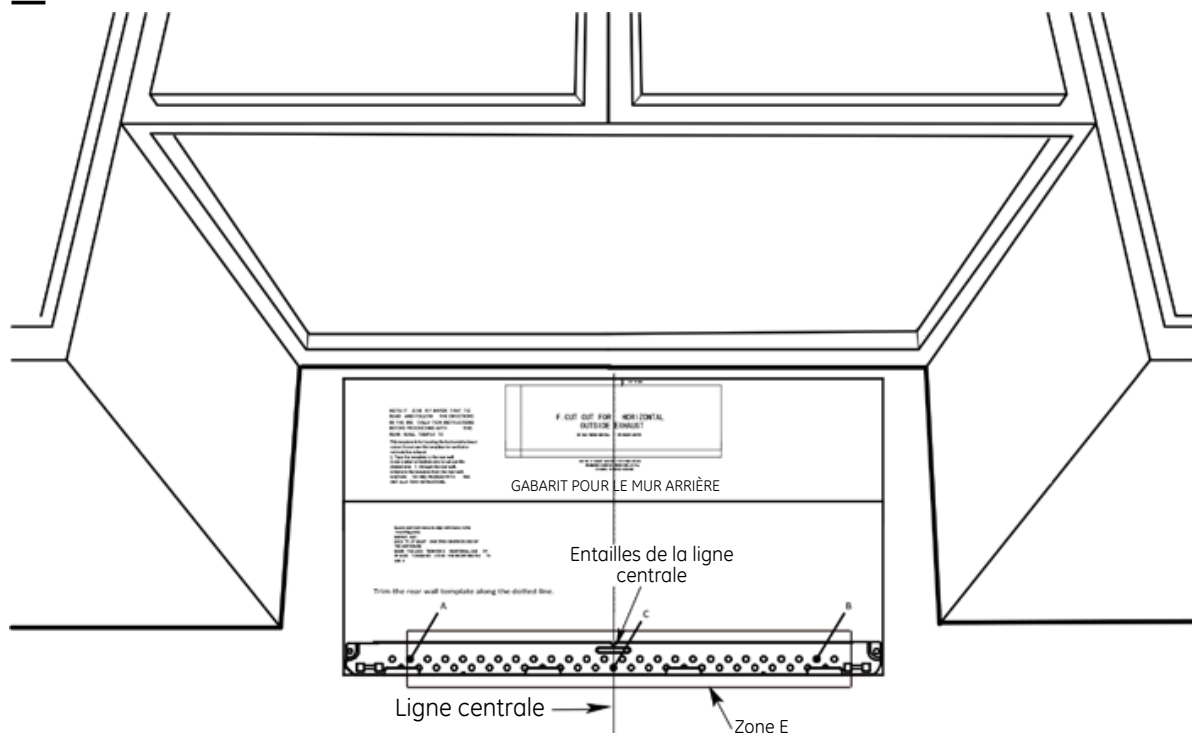
### LE FOUR À MICRO-ONDES DOIT ÊTRE DE NIVEAU

Utilisez un niveau pour vous assurer que le fond de l'armoire est de niveau. Si les armoires sont dotées uniquement d'un rebord avant, sans rebord sur les côtés ou à l'arrière, la ligne supérieure du gabarit pour le mur arrière doit s'aligner avec le dessous du fond de l'armoire à la même distance que l'épaisseur du rebord avant de l'armoire. Cela maintiendra le four à micro-ondes à niveau.

1. Mesurez l'épaisseur intérieure du rebord avant de l'armoire.
2. Tracez une ligne horizontale sur le mur arrière, en dessous du fond de l'armoire, à une distance égale à l'épaisseur intérieure du rebord avant de l'armoire.
3. Pour l'installation sous une armoire dotée uniquement d'un rebord avant, alignez la ligne supérieure du gabarit pour le mur arrière avec cette ligne horizontale, sans toucher le fond de l'armoire, tel que décrit à l'étape D.

# Instructions d'installation

## D. ALIGNER LA LIGNE SUPÉRIEURE DU GABARIT POUR LE MUR ARRIÈRE



**ATTENTION :** Portez des gants pour éviter de vous couper les doigts sur les rebords coupants.

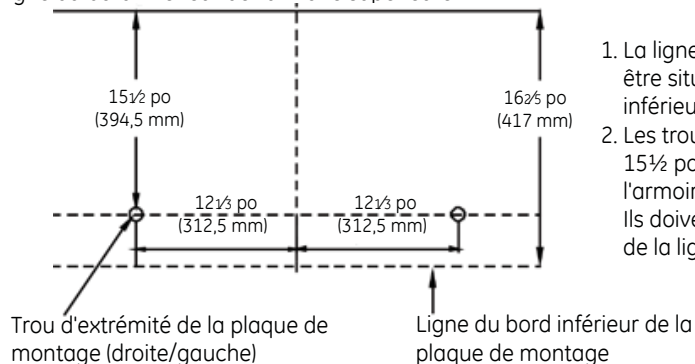
1. Avec le ruban à mesurer, tracez une ligne verticale sur le mur au centre de l'espace de 30 po (76,2 cm) de largeur.
2. Collez le gabarit pour le mur arrière sur le mur de l'armoire, alignez les repères centraux du gabarit avec la ligne centrale du mur en vous assurant qu'ils sont de niveau et que la ligne supérieure du gabarit est appuyée contre le bord inférieur de l'armoire supérieure.
3. Selon la forme de l'armoire, l'emplacement du gabarit pour le mur arrière est conforme au contenu de l'étape C, « déterminer l'emplacement de la ligne supérieure du gabarit pour le mur arrière sous votre armoire ».
4. Tracez des cercles sur le mur aux trous A, B et C alors que vous collez au mur le gabarit pour le mur arrière (consultez l'illustration ci-dessus/plaque réelle marquée avec des flèches). TROIS TROUS DOIVENT ÊTRE UTILISÉS POUR L'INSTALLATION. (S'il y a des montants à droite et à gauche de la ligne centrale, quatre trous doivent être utilisés pour le montage.)
5. Retirez le gabarit pour le mur arrière et vérifiez le marquage en fonction de la plaque de montage réelle (ligne centrale, trou A, B, C).
6. Percez des trous dans les cercles. S'il y a un montant, percez un trou de 3/16 po (4,8 mm) pour les vis à bois. Percez un trou de 5/8 po (15,9 mm) pour les boulons à ailettes.

**REMARQUE :** NE FIXEZ PAS LA PLAQUE DE MONTAGE MAINTENANT.

8. Si le gabarit pour le mur arrière est endommagé ou inutilisable, mesurez et marquez le mur avec les dimensions décrites à l'étape E.

## E. MARQUEZ LE MUR ARRIÈRE DE L'ARMOIRE SANS LE GABARIT POUR LE MUR ARRIÈRE

Ligne du bord inférieur de l'armoire supérieure



1. La ligne du bord inférieur de la plaque de montage doit être située à 16 1/2 po (417 mm) à partir de la ligne du bord inférieur de l'armoire supérieure et doit être de niveau.
2. Les trous de la plaque de montage doivent être situés à 15 1/2 po (394,5 mm) à partir de la ligne du bord inférieur de l'armoire supérieure et doivent être alignés l'un avec l'autre. Ils doivent être situés à une distance de 12 1/2 po (312,5 mm) de la ligne centrale.

# Instructions d'installation

## 2. TYPES D'INSTALLATION (Choisissez A, B ou C)

Ce four à micro-ondes est conçu pour s'adapter aux trois types d'évacuation suivants :

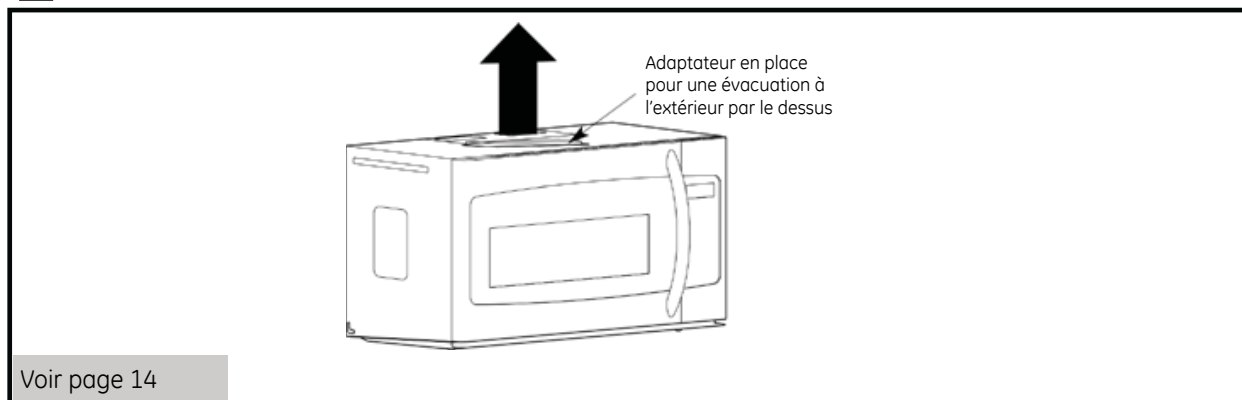
**A : Évacuation à l'extérieur par le dessus (conduit vertical)**

**B : Évacuation à l'extérieur par l'arrière (conduit horizontal)**

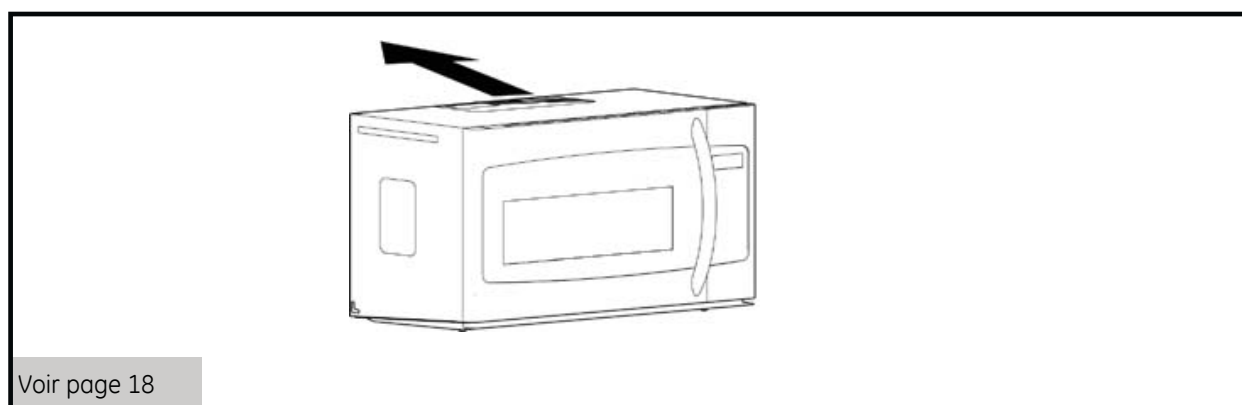
**C : Recyclage d'air (évacuation sans conduit)**

**REMARQUE :** Ce micro-ondes peut être expédié assemblé pour le recyclage d'air.

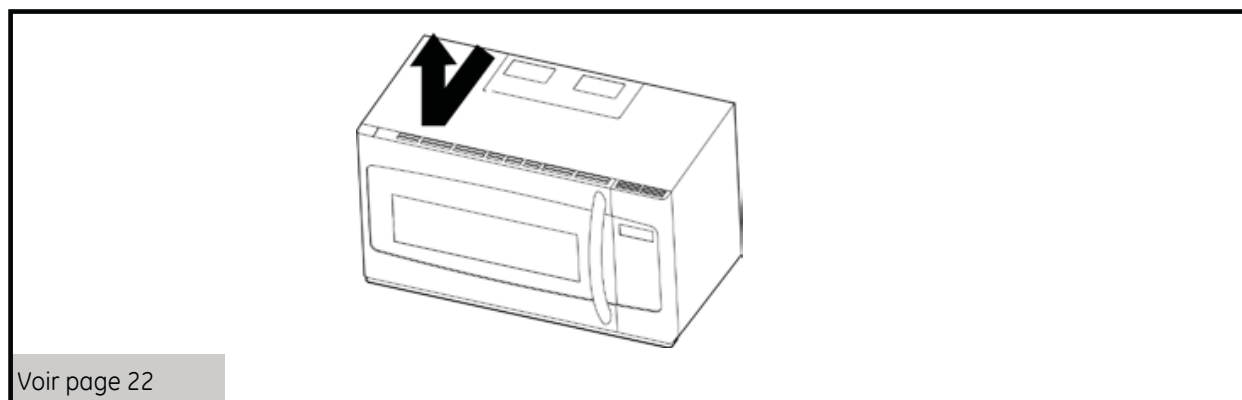
### A. ÉVACUATION À L'EXTÉRIEUR PAR LE DESSUS (Conduit vertical)



### B. ÉVACUATION À L'EXTÉRIEUR PAR L'ARRIÈRE (Conduit horizontal)



### C. RECYCLAGE D'AIR (Évacuation sans conduit)



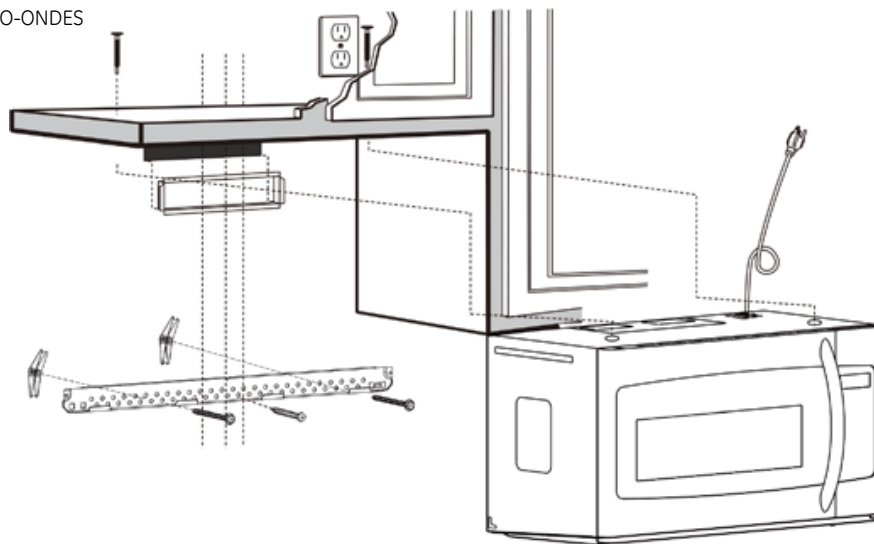
Pour une évacuation sans conduit, il faut utiliser un nécessaire de filtre à charbon. (Consultez votre MANUEL DE L'UTILISATEUR pour connaître le numéro de cet ensemble.)

# Instructions d'installation

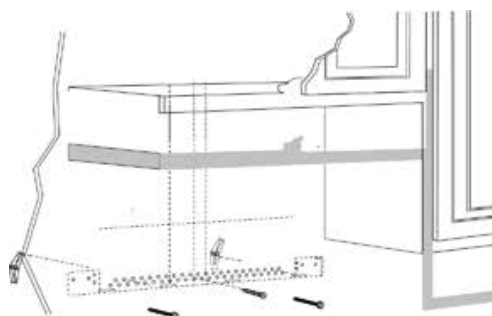
## A. ÉVACUATION À L'EXTÉRIEUR PAR LE DESSUS (Conduit vertical) PAR DÉFAUT

### VUE D'ENSEMBLE DE L'INSTALLATION

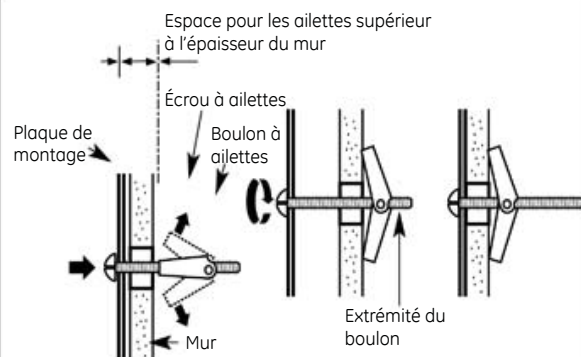
- A1. FIXATION DE LA PLAQUE DE MONTAGE AU MUR
- A2. UTILISATION DU GABARIT POUR L'ARMOIRE SUPÉRIEURE POUR LA PRÉPARATION DE L'ARMOIRE SUPÉRIEURE
- A3. VÉRIFICATION DU FONCTIONNEMENT DU REGISTRE
- A4. INSTALLATION DU FOUR À MICRO-ONDES
- A5. AJUSTEMENT DE L'ADAPTATEUR D'ÉVACUATION
- A6. CONNEXION AU CONDUIT



### A1. FIXATION DE LA PLAQUE DE MONTAGE AU MUR



#### Pour utiliser les boulons à ailettes



Fixez la plaque de montage au mur à l'aide des écrous papillon et des vis à auto-alignement ( $\frac{1}{16} \times 3$  po [4,8 mm x 7,6 cm]). Vous devez utiliser au moins une vis à bois pour fixer la plaque de fixation à un montant.

1. Insérez les vis à auto-alignement ( $\frac{1}{16} \times 3$  po [4,8 mm x 7,6 cm]) dans la plaque de montage à travers les trous dans le gypse et fixez les écrous à ailettes, à  $\frac{3}{4}$  po (19 mm) sur chaque vis à auto-alignement ( $\frac{1}{16} \times 3$  po [4,8 mm x 7,6 cm]).
2. Placez la plaque de montage contre le mur et insérez les écrous à ailettes dans les trous du mur pour fixer la plaque.

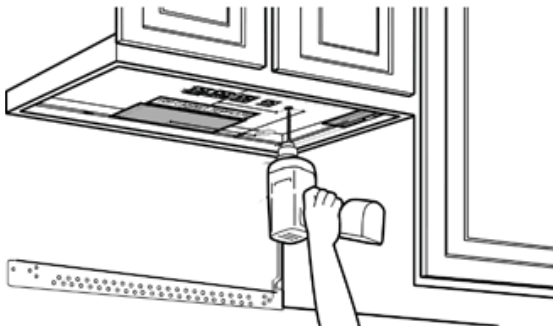
**ATTENTION : Faites attention de ne pas vous pincer les doigts entre l'arrière de la plaque de montage et le mur.**

3. Serrez tous les boulons. Tirez sur la plaque de fixation pour faciliter le serrage des boulons.

# Instructions d'installation

## A2. UTILISATION DU GABARIT POUR L'ARMOIRE SUPÉRIEURE POUR LA PRÉPARATION DE L'ARMOIRE SUPÉRIEURE

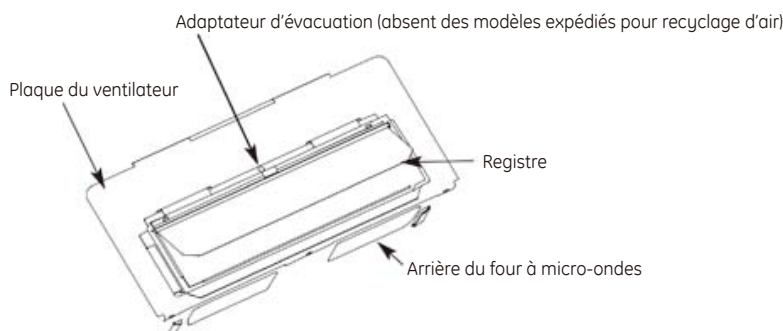
Vous devez percer des trous pour les vis de soutien supérieures, un trou suffisamment grand pour y faire passer le cordon d'alimentation et une ouverture assez grande pour l'adaptateur d'évacuation.



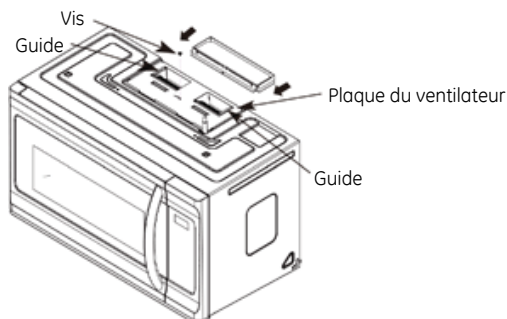
- Lisez les instructions figurant sur le GABARIT POUR L'ARMOIRE SUPÉRIEURE.
- Collez le gabarit sous le bas de l'armoire supérieure à l'aide de ruban adhésif.
- Percez les trous, en suivant les instructions du GABARIT POUR L'ARMOIRE SUPÉRIEURE.

**ATTENTION : Portez des lunettes de sécurité lorsque vous percez des trous dans le fond de l'armoire.**

## A3. VÉRIFICATION DU FONCTIONNEMENT DU REGISTRE



- Placez le four à micro-ondes en position debout, le dessus de l'appareil orienté vers le haut.
- L'adaptateur d'évacuation n'est utilisé que pour l'évacuation par le dessus et l'évacuation à l'extérieur par l'arrière. Il est absent des modèles expédiés pour recyclage d'air.
- **Assurez-vous que le ruban adhésif qui retient le registre a été enlevé et que le registre bouge librement avant d'installer le four à micro-ondes.**
- Fixez l'adaptateur d'évacuation à la plaque du ventilateur en le faisant coulisser dans les guides. Fixez l'adaptateur avec la vis à tôle fournie.

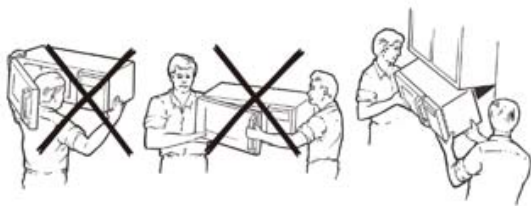


- Vous devrez effectuer les ajustements nécessaires pour vous assurer que le conduit du four est bien aligné sur le conduit d'évacuation du domicile après l'installation du four.



# Instructions d'installation

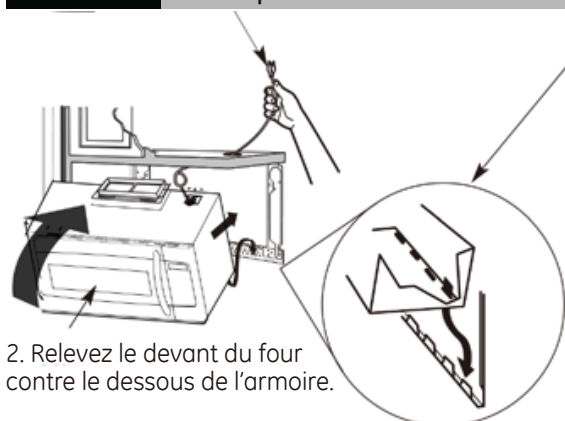
## A4. INSTALLATION DU FOUR À MICRO-ONDES



POUR VOTRE SÉCURITÉ ET POUR FACILITER L'INSTALLATION, NOUS RECOMMANDONS QUE L'INSTALLATION DE CE FOUR À MICRO-ONDES SOIT EFFECTUÉE PAR DEUX PERSONNES.

**IMPORTANT :** Ne saisissez pas ou n'utilisez pas la poignée du four durant l'installation. Si vous n'utilisez pas d'entretoises, des dommages peuvent être causés au boîtier au moment de resserrer les vis.

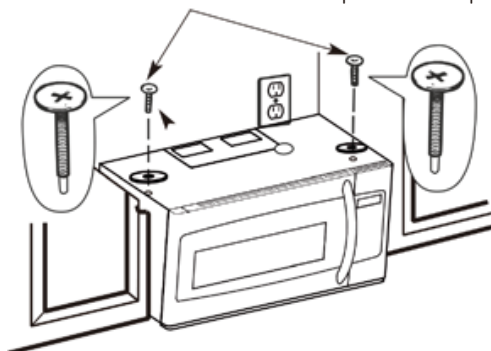
**REMARQUE :** Si vos armoires sont en métal, installez un passe-fil en nylon autour de l'orifice du cordon d'alimentation pour empêcher que le cordon soit coupé. Si le four est installé sous une armoire munie d'un rebord avant, nous vous recommandons d'utiliser des entretoises. Lors de l'installation du four à micro-ondes, faites passer le cordon d'alimentation à travers le trou situé dans le fond de l'armoire supérieure. Gardez-le bien tendu durant les étapes 1 à 3. Ne coincez pas le cordon ou ne soulevez pas le four en tirant sur le cordon.



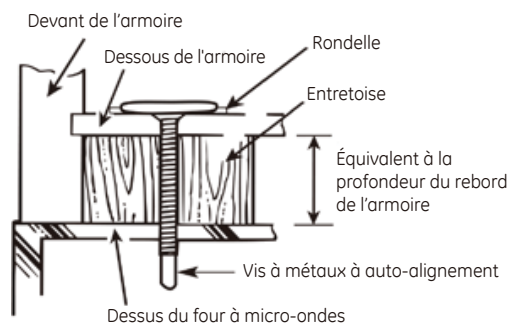
2. Relevez le devant du four contre le dessous de l'armoire.

1. Soulevez le four à micro-ondes, penchez-le vers l'avant, et accrochez les fentes situées sur le bord inférieur à l'arrière du four sur les quatre languettes inférieures de la plaque de montage.
2. Relevez le devant du four contre le dessous de l'armoire.
3. Fixez le four à micro-ondes à l'armoire supérieure.
4. Insérez 2 vis à auto-alignement (1/4 po-20 x 3 po [7,6 mm]) à travers les trous de l'armoire supérieure. Fixez temporairement le four en vissant la vis d'au moins deux tours complets après que les filets ont été engagés. (Elle sera complètement resserrée plus tard.) Veillez à maintenir le cordon d'alimentation bien tendu et à ne pas le pincer, particulièrement lors du montage au bas de l'armoire.

Faites faire deux tours complets à chaque vis.

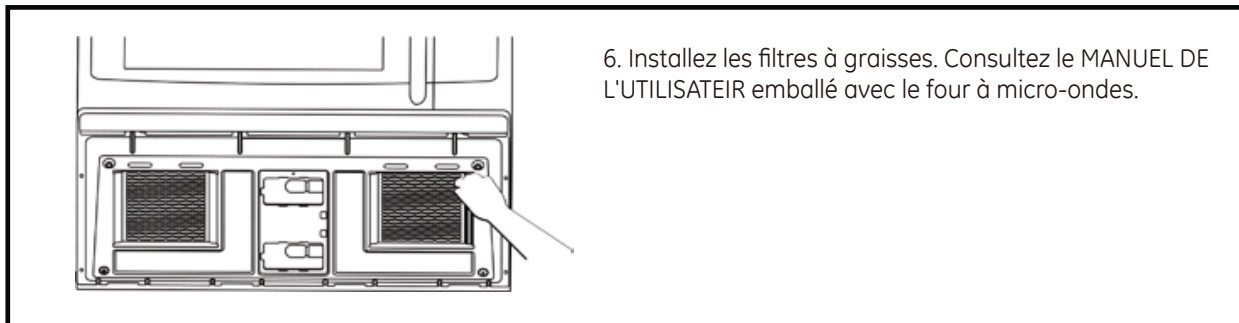


L'entretoise n'est utilisée que pour les armoires encastrées. Vous devez placer l'entretoise au bas de l'armoire avant d'installer le four. Veuillez lire le gabarit pour l'armoire supérieure afin d'obtenir les étapes spécifiques.



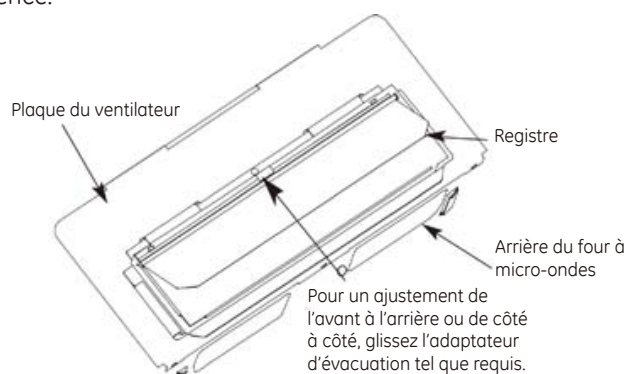
5. Serrez les deux vis situées de chaque côté du dessus du four à micro-ondes. (Tout en serrant les vis, maintenez le four à micro-ondes contre le mur et l'armoire supérieure.)

# Instructions d'installation

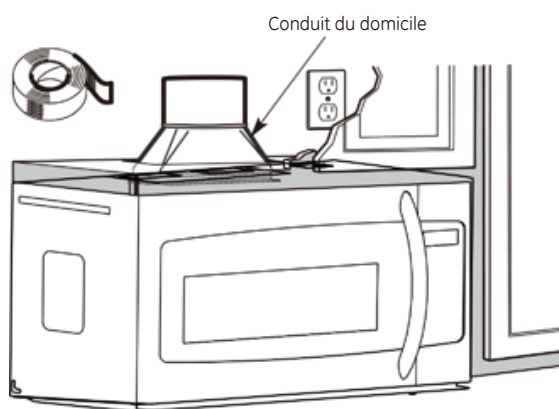


## A5. AJUSTEMENT DE L'ADAPTATEUR D'ÉVACUATION

Ouvrez l'armoire supérieure et ajustez l'adaptateur d'évacuation pour le relier au conduit d'évacuation de la résidence.



## A6. CONNEXION AU CONDUIT



1. Tirez sur le conduit du domicile pour le raccorder à l'adaptateur d'évacuation.
2. Scellez les joints du conduit à l'aide de ruban adhésif en toile.

# Instructions d'installation

## **B. ÉVACUATION À L'EXTÉRIEUR PAR L'ARRIÈRE** **(Conduit horizontal)**

### **VUE D'ENSEMBLE DE L'INSTALLATION**

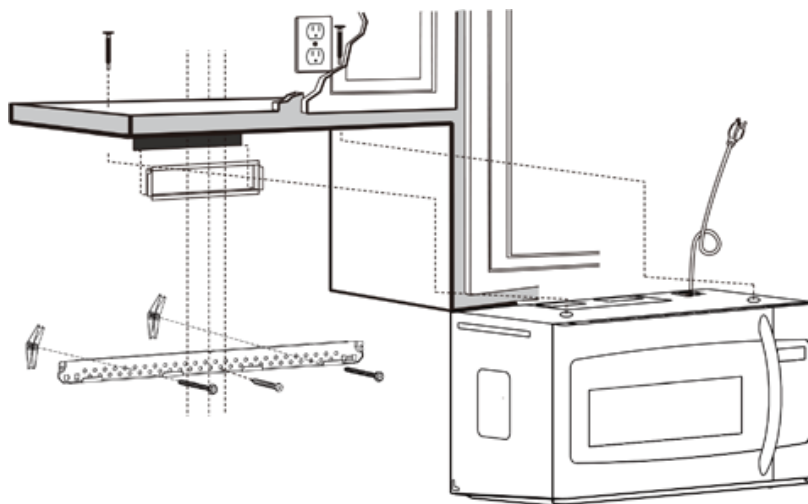
B1. PRÉPARATION DU GABARIT POUR LE MUR ARRIÈRE POUR L'ÉVACUATION À L'EXTÉRIEUR PAR L'ARRIÈRE

B2. FIXATION DE LA PLAQUE DE MONTAGE AU MUR

B3. UTILISATION DU GABARIT POUR L'ARMOIRE SUPÉRIEURE POUR LA PRÉPARATION DE L'ARMOIRE SUPÉRIEURE

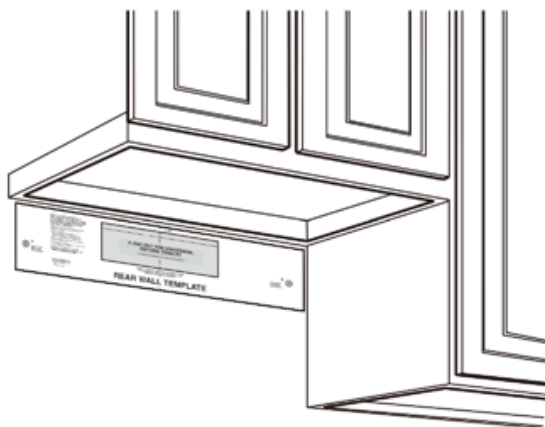
B4. ADAPTATION DU VENTILATEUR DU FOUR À MICRO-ONDES POUR L'ÉVACUATION À L'EXTÉRIEUR PAR L'ARRIÈRE

B5. INSTALLATION DU FOUR À MICRO-ONDES



### **B1. PRÉPARATION DU GABARIT POUR LE MUR ARRIÈRE POUR L'ÉVACUATION À L'EXTÉRIEUR PAR L'ARRIÈRE**

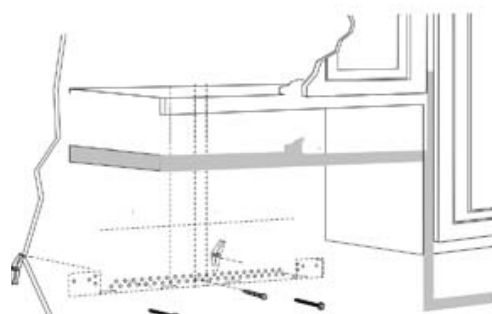
Vous devez percer une ouverture (trou carré de 12 x 4 po [30,5 x 10,2 cm]) dans le gabarit pour le mur arrière pour l'évacuation à l'extérieur.



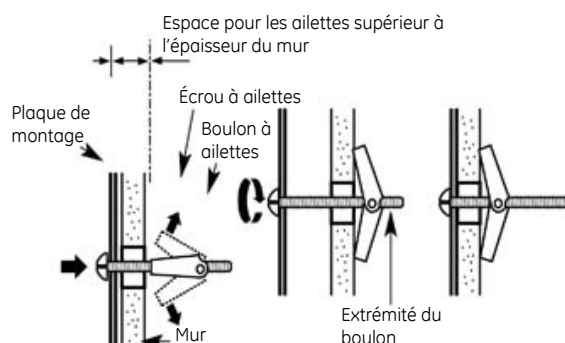
- Lisez les instructions figurant sur le gabarit pour le mur ARRIÈRE.
- Collez-le au mur arrière avec du ruban adhésif, en l'alignant sur les trous préalablement percés pour les trous A et B de la plaque de montage.
- Percez l'ouverture en suivant les instructions sur le GABARIT POUR LE MUR ARRIÈRE.

# Instructions d'installation

## B2. FIXATION DE LA PLAQUE DE MONTAGE AU MUR



### Pour utiliser les boulons à ailettes



Fixez la plaque de montage au mur à l'aide des écrous papillon et des vis à auto-alignement ( $\frac{1}{16} \times 3$  po [4,8 mm x 7,6 cm]). Vous devez utiliser au moins une vis à bois pour fixer la plaque de fixation à un montant.

1. Insérez les vis à auto-alignement ( $\frac{1}{16} \times 3$  po [4,8 mm x 7,6 cm]) dans la plaque de montage à travers les trous dans le gypse et fixez les écrous à ailettes, à  $\frac{3}{4}$  po (19 mm) sur chaque vis à auto-alignement ( $\frac{1}{16} \times 3$  po [4,8 mm x 7,6 cm]).

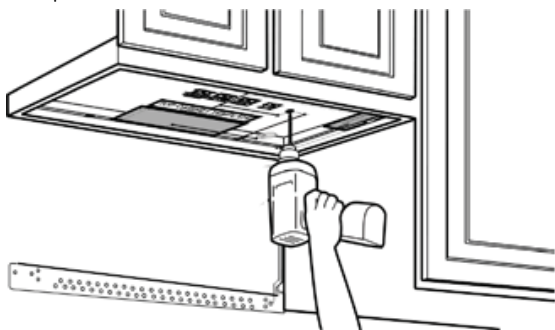
2. Placez la plaque de montage contre le mur et insérez les écrous à ailettes dans les trous du mur pour fixer la plaque.

**ATTENTION : Faites attention de ne pas vous pincer les doigts entre l'arrière de la plaque de montage et le mur.**

3. Serrez tous les boulons. Tirez sur la plaque de fixation pour faciliter le serrage des boulons.

## B3. UTILISATION DU GABARIT POUR L'ARMOIRE SUPÉRIEURE POUR LA PRÉPARATION DE L'ARMOIRE SUPÉRIEURE

Vous devez percer des trous pour les vis de soutien supérieures, ainsi qu'un trou suffisamment grand pour y faire passer le cordon d'alimentation.



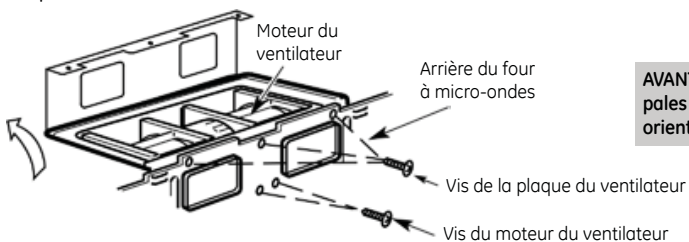
- Lisez les instructions figurant sur le GABARIT POUR L'ARMOIRE SUPÉRIEURE.
- Collez le gabarit sous le bas de l'armoire supérieure à l'aide de ruban adhésif.
- Percez les trous en suivant les instructions du GABARIT POUR L'ARMOIRE SUPÉRIEURE.

**ATTENTION : Portez des lunettes de sécurité lorsque vous percez des trous dans le fond de l'armoire.**

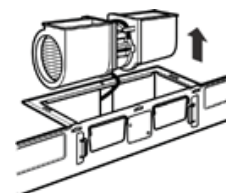
## B4. ADAPTATION DU VENTILATEUR DU FOUR À MICRO-ONDES POUR L'ÉVACUATION À L'EXTÉRIEUR PAR L'ARRIÈRE

1. Enlevez et conservez la vis qui retient le moteur du ventilateur au four à micro-ondes. Soulevez la plaque du ventilateur.

2. Enlevez délicatement l'ensemble du ventilateur. Les fils seront assez longs pour vous permettre d'ajuster la position du ventilateur.

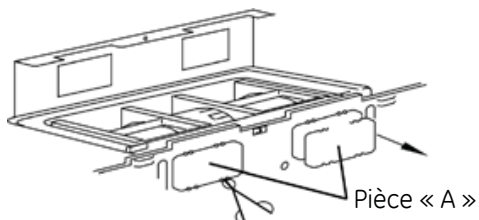


**AVANT : Ouvertures des pales du ventilateur orientées vers le HAUT**

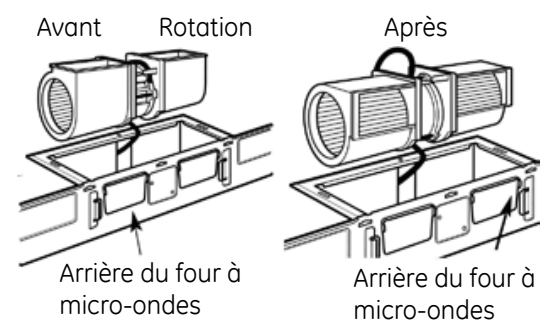


# Instructions d'installation

3. Retirez les « pièces A » avec une pince coupante ou des ciseaux.

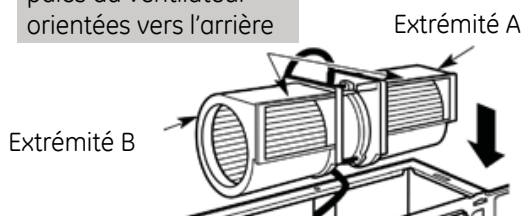


4. Retournez l'ensemble du ventilateur sur 90° dans le sens antihoraire.



5. Remplacez l'ensemble du ventilateur dans l'ouverture.

Après : Ouvertures des pales du ventilateur orientées vers l'arrière



## ATTENTION :

Ne tirez pas sur les fils du ventilateur et ne les étirez pas.

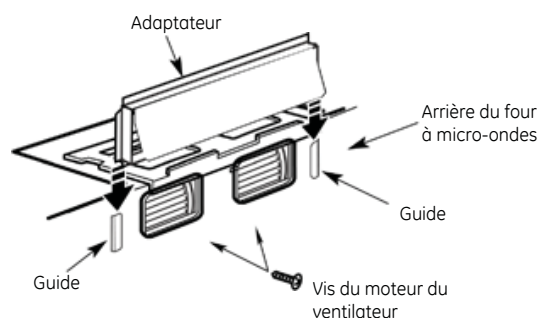
Assurez-vous que les fils ne sont pas coincés.

## REMARQUE :

Les ouvertures de l'ensemble du ventilateur doivent correspondre aux ouvertures de ventilation à l'arrière du four à micro-ondes.

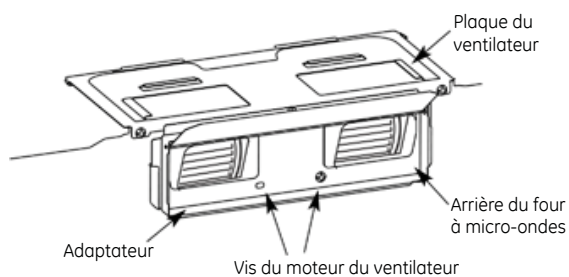
6. Remplacez la plaque du ventilateur au même endroit.

7. Fixez l'adaptateur d'évacuation à l'arrière du four en le couissant dans les guides situés au centre, à la partie supérieure arrière du four.

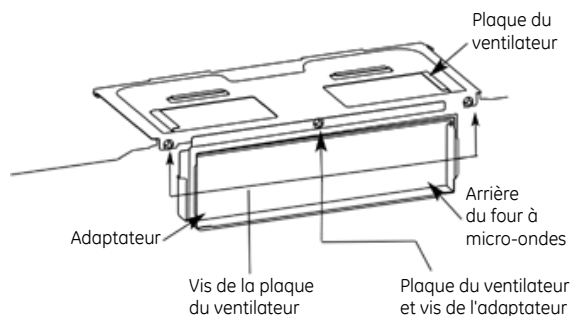


Insérez-le jusqu'à ce qu'il soit dans les vis du moteur du ventilateur. Assurez-vous que la charnière du registre est installée sur le dessus et que le registre bouge librement.

8. Fixez le moteur du ventilateur au four micro-ondes avec la vis comme auparavant.



9. Fixez la plaque du ventilateur au four à micro-ondes avec la vis. Remplacez la plaque du ventilateur au même endroit.



# Instructions d'installation

## B5. INSTALLATION DU FOUR À MICRO-ONDES



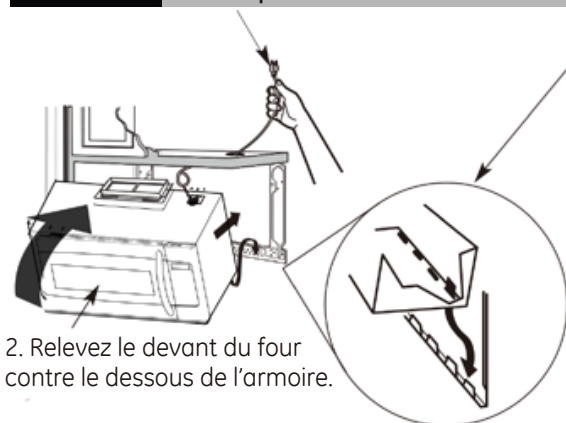
POUR VOTRE SÉCURITÉ ET POUR FACILITER L'INSTALLATION, NOUS RECOMMANDONS QUE L'INSTALLATION DE CE FOUR À MICRO-ONDES SOIT EFFECTUÉE PAR DEUX PERSONNES.

### IMPORTANT :

Ne saisissez pas ou n'utilisez pas la poignée du four durant l'installation. Si vous n'utilisez pas d'entretoises, des dommages peuvent être causés au boîtier au moment de resserrer les vis.

### REMARQUE :

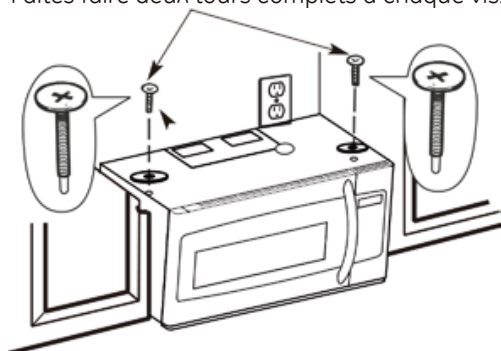
Si vos armoires sont en métal, installez un passe-fil en nylon autour de l'orifice du cordon d'alimentation pour empêcher que le cordon soit coupé. Si le four est installé sous une armoire munie d'un rebord avant, nous vous recommandons d'utiliser des entretoises. Lors de l'installation du four à micro-ondes, faites passer le cordon d'alimentation à travers le trou situé dans le fond de l'armoire supérieure. Gardez-le bien tendu durant les étapes 1 à 3. Ne coincez pas le cordon ou ne soulevez pas le four en tirant sur le cordon.



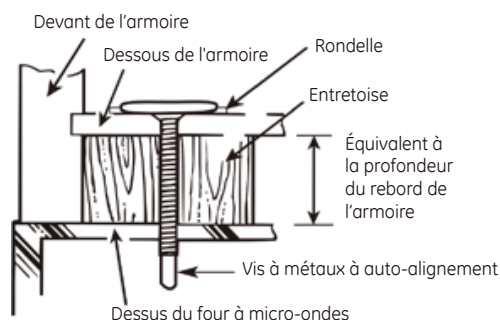
2. Relevez le devant du four contre le dessous de l'armoire.

1. Soulevez le four à micro-ondes, penchez-le vers l'avant, et accrochez les fentes situées sur le bord inférieur à l'arrière du four sur les quatre languettes inférieures de la plaque de montage.
2. Relevez le devant du four contre le dessous de l'armoire.
3. Fixez le four à micro-ondes à l'armoire supérieure.
4. Insérez 2 vis à auto-alignement (1/4 po-20 x 3 po [7,6 mm]) à travers les trous de l'armoire supérieure. Fixez temporairement le four en vissant la vis d'au moins deux tours complets après que les filets ont été engagés. (Elle sera complètement resserrée plus tard.) Assurez-vous que le cordon d'alimentation est bien tendu. Faites attention de ne pas le coincer, particulièrement au moment d'installer le four sous l'armoire.

Faites faire deux tours complets à chaque vis.

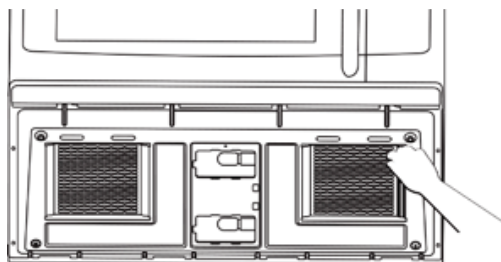


L'entretoise n'est utilisée que pour les armoires encastrées. Vous devez placer l'entretoise au bas de l'armoire avant d'installer le four. Pour les étapes spécifiques, veuillez lire le gabarit pour l'armoire supérieure.



5. Serrez les deux vis situées de chaque côté du dessus du four à micro-ondes. (Tout en serrant les vis, maintenez le four à micro-ondes contre le mur et l'armoire supérieure.)

6. Installez les filtres à graisses. Consultez le MANUEL DE L'UTILISATEUR emballé avec le four à micro-ondes.





# Instructions d'installation

## C. RECYCLAGE D'AIR (Évacuation sans conduit)

### VUE D'ENSEMBLE DE L'INSTALLATION

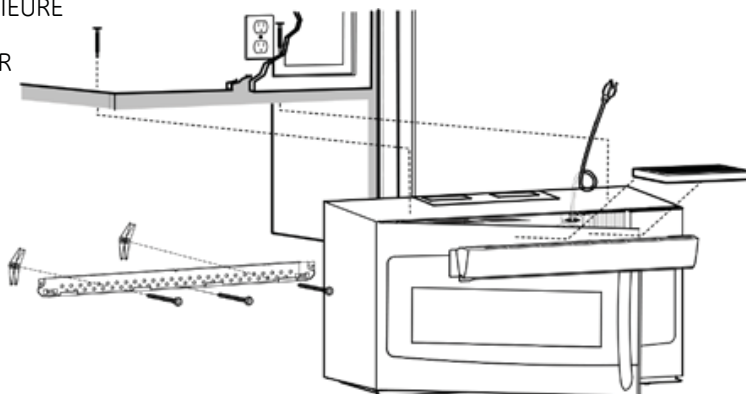
C1. FIXATION DE LA PLAQUE DE MONTAGE AU MUR

C2. UTILISATION DU GABARIT POUR L'ARMOIRE SUPÉRIEURE POUR LA PRÉPARATION DE L'ARMOIRE SUPÉRIEURE

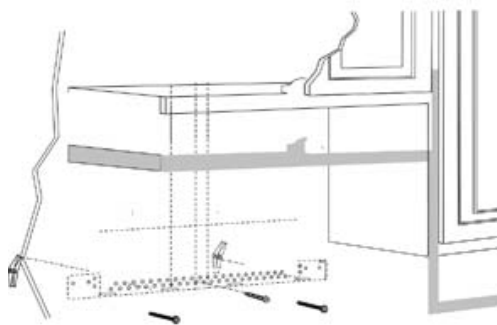
C3. ADAPTATION DU VENTILATEUR POUR LE RECYCLAGE D'AIR

C4. INSTALLATION DU FOUR À MICRO-ONDES

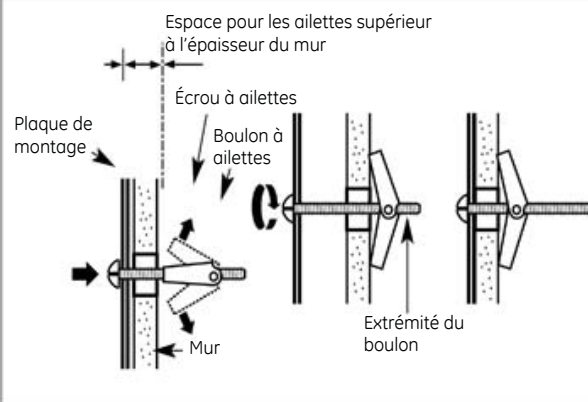
C5. REMPLACEMENT DU FILTRE À CHARBON



### C1. FIXATION DE LA PLAQUE DE MONTAGE AU MUR



#### Pour utiliser les boulons à ailettes



Fixez la plaque de montage au mur à l'aide des écrous papillon et des vis à auto-alignement ( $\frac{1}{16}$  x 3 po [4,8 mm x 7,6 cm]). Vous devez utiliser au moins une vis à bois pour fixer la plaque de fixation à un montant.

1. Insérez les vis à auto-alignement ( $\frac{1}{16}$  x 3 po [4,8 mm x 7,6 cm]) dans la plaque de montage à travers les trous dans le gypse et fixez les écrous à ailettes, à  $\frac{3}{4}$  po (19 mm) sur chaque vis à auto-alignement ( $\frac{1}{16}$  x 3 po [4,8 mm x 7,6 cm]).

2. Placez la plaque de montage contre le mur et insérez les écrous à ailettes dans les trous du mur pour fixer la plaque.

**ATTENTION : Faites attention de ne pas vous pincer les doigts entre l'arrière de la plaque de montage et le mur.**

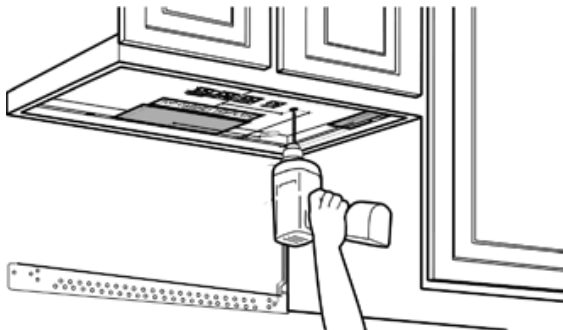
3. Serrez tous les boulons. Tirez sur la plaque de fixation pour faciliter le serrage des boulons.



# Instructions d'installation

## C2. UTILISATION DU GABARIT POUR L'ARMOIRE SUPÉRIEURE POUR LA PRÉPARATION DE L'ARMOIRE SUPÉRIEURE

Vous devez percer des trous pour les vis de soutien supérieures, ainsi qu'un trou suffisamment grand pour y faire passer le cordon d'alimentation.

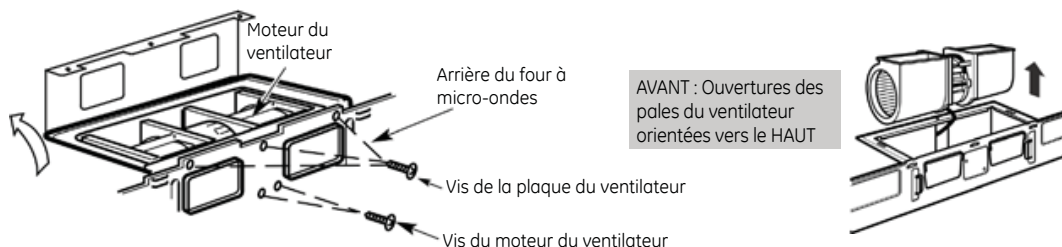


- Lisez les instructions figurant sur le GABARIT POUR L'ARMOIRE SUPÉRIEURE.
- Collez le gabarit sous le bas de l'armoire supérieure à l'aide de ruban adhésif.
- Percez les trous en suivant les instructions du GABARIT POUR L'ARMOIRE SUPÉRIEURE.

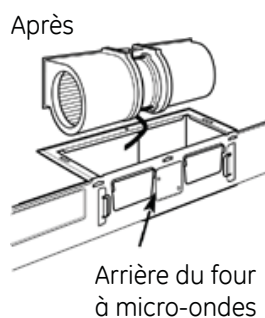
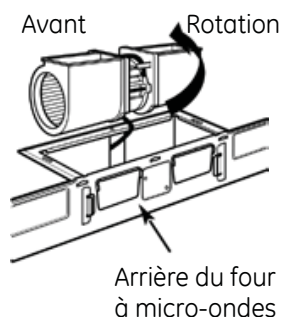
**ATTENTION :** Portez des lunettes de sécurité lorsque vous percez des trous dans le fond de l'armoire.

## C3. ADAPTATION DU VENTILATEUR POUR LE RECYCLAGE D'AIR

1. Enlevez et conservez la vis qui retient le moteur du ventilateur au four à micro-ondes. Soulevez la plaque du ventilateur.
2. Enlevez délicatement l'ensemble du ventilateur. Les fils seront assez longs pour vous permettre d'ajuster la position du ventilateur.

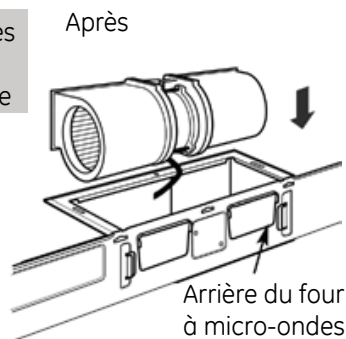


4. Retournez l'ensemble du ventilateur sur 90°.



5. Remplacez l'ensemble du ventilateur dans l'ouverture.

Après : Ouvertures des pales du ventilateur orientées vers l'arrière



**ATTENTION :**

Ne tirez pas sur les fils du ventilateur et ne les étirez pas.

Assurez-vous que les fils ne sont pas coincés.

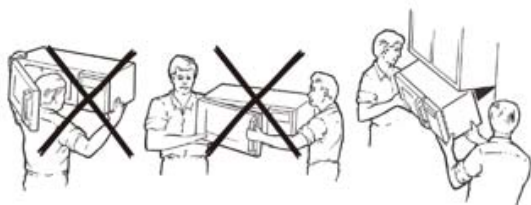
**REMARQUE :**

Les ouvertures de l'ensemble du ventilateur doivent correspondre aux ouvertures de ventilation à l'arrière du four à micro-ondes.

6. Remplacez la plaque du ventilateur au même endroit.

# Instructions d'installation

## C4. INSTALLATION DU FOUR À MICRO-ONDES



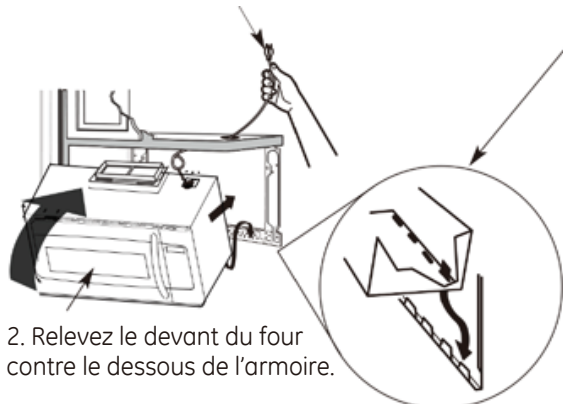
POUR VOTRE SÉCURITÉ ET POUR FACILITER L'INSTALLATION, NOUS RECOMMANDONS QUE L'INSTALLATION DE CE FOUR À MICRO-ONDES SOIT EFFECTUÉE PAR DEUX PERSONNES.

### IMPORTANT :

Ne saisissez pas ou n'utilisez pas la poignée du four durant l'installation. Si vous n'utilisez pas d'entretoises, des dommages peuvent être causés au boîtier au moment de resserrer les vis.

### REMARQUE :

Si vos armoires sont en métal, installez un passe-fil en nylon autour de l'orifice du cordon d'alimentation pour empêcher que le cordon soit coupé. Si le four est installé sous une armoire munie d'un rebord avant, nous vous recommandons d'utiliser des entretoises. Lors de l'installation du four à micro-ondes, faites passer le cordon d'alimentation à travers le trou situé dans le fond de l'armoire supérieure. Gardez-le bien tendu durant les étapes 1 à 3. Ne coinciez pas le cordon ou ne soulevez pas le four en tirant sur le cordon.



2. Relevez le devant du four contre le dessous de l'armoire.

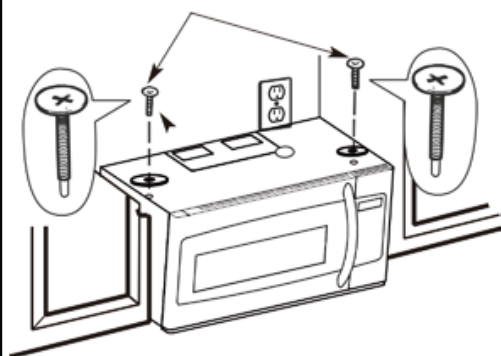
1. Soulevez le four à micro-ondes, penchez-le vers l'avant, et accrochez les fentes situées sur le bord inférieur à l'arrière du four sur les quatre languettes inférieures de la plaque de montage.

2. Relevez le devant du four contre le dessous de l'armoire.

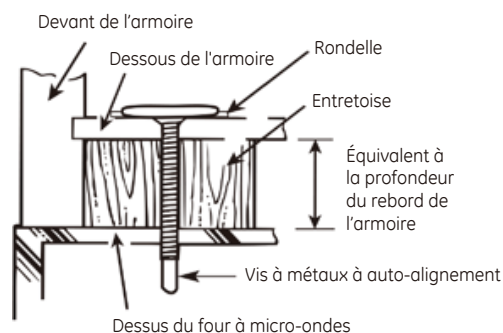
3. Fixez le four à micro-ondes à l'armoire supérieure.

4. Insérez 2 vis à auto-alignement (1/4 po-20 x 3 po [7,6 mm]) à travers les trous de l'armoire supérieure. Fixez temporairement le four en vissant la vis d'au moins deux tours complets après que les filets ont été engagés. (Elle sera complètement resserrée plus tard.) Veillez à maintenir le cordon d'alimentation bien tendu et à ne pas le pincer, particulièrement lors du montage au bas de l'armoire.

Faites faire deux tours complets à chaque vis.



L'entretoise n'est utilisée que pour les armoires encastrées. Vous devez placer l'entretoise au bas de l'armoire avant d'installer le four. Pour les étapes spécifiques, veuillez lire le gabarit pour l'armoire supérieure.



5. Serrez les deux vis situées de chaque côté du dessus du four à micro-ondes. (Tout en serrant les vis, maintenez le four à micro-ondes contre le mur et l'armoire supérieure.)

6. Installez les filtres à graisses. Consultez le MANUEL DE L'UTILISATEUR emballé avec le four à micro-ondes.

# Instructions d'installation

## AVANT D'UTILISER VOTRE FOUR À MICRO-ONDES

1. Assurez-vous que le four à micro-ondes a été installé conformément aux directives.



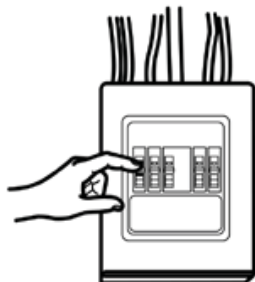
6. Lisez le MANUEL DE L'UTILISATEUR.



2. Enlevez tout le matériel d'emballage du four à micro-ondes.

3. Installez le plateau tournant et l'élément rotatif dans le micro-ondes.

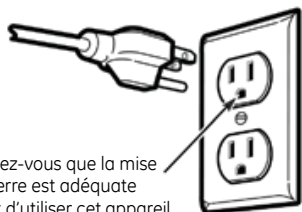
4. Réinstallez le fusible ou réenclenchez le disjoncteur du panneau de distribution principal.



7. CONSERVEZ LES INSTRUCTIONS D'INSTALLATION POUR VOTRE INSPECTEUR LOCAL.



5. Branchez le cordon d'alimentation dans une prise de courant de 20 ampères.



Assurez-vous que la mise à la terre est adéquate avant d'utiliser cet appareil