

Bottom Freezer Refrigerator

moffatappliances.ca

Safety Instructions..... 2, 3

Structure and functions

Control Settings..... 4

Care and Cleaning 5

Installation Instructions

Advanced Planning..... 6

Preparation..... 7, 8

Reversing the Door Swing 9, 10

Troubleshooting Tips

Normal Operating Sounds..... 11

Problem Solver..... 12, 13

Consumer Support

Product Registration 14, 15

Warranty 16

Consumer Support 17

**Owner's Manual and
Installation Instructions**

MBE11DSLSS

Réfrigérateurs

à congélateur en bas

**Manuel de l'utilisateur
et instructions
d'installation**

La section française commence à la page 18

**Write the model and serial
numbers here:**

Model # _____

Serial # _____

You can find them on a label inside
the refrigerator.

IMPORTANT SAFETY INFORMATION. READ ALL INSTRUCTIONS BEFORE USING.


IMPORTANT SAFETY INFORMATION READ ALL INSTRUCTIONS BEFORE USING



Moffat Appliances website

For more information on your refrigerator's operation, visit www.moffatappliances.ca or call 800.561.3344

REFRIGERATOR SAFETY INFORMATION


 This is the safety alert symbol. This symbol alerts you to potential hazards that can kill or hurt you and others. All safety messages will follow the safety alert symbol and the word "DANGER", "WARNING", or "CAUTION". These words are defined as:

 **DANGER** Indicates a hazardous situation which, if not avoided, **will** result in death or serious injury.

 **WARNING** Indicates a hazardous situation which, if not avoided, **could** result in death or serious injury.

 **CAUTION** Indicates a hazardous situation which, if not avoided, **could** result in minor or moderate injury.

IMPORTANT SAFETY INSTRUCTIONS

 **WARNING** To reduce the risk of fire, explosion, electric shock, or injury when using your refrigerator follow these basic safety precautions:

- This refrigerator must be properly installed and located in accordance with the Installation Instructions before it is used.
 - Do not allow children to climb, stand or hang on the shelves in the refrigerator. They could damage the refrigerator and seriously injure themselves.
 - Do not touch the cold surfaces in the freezer compartment, particularly when hands are damp or wet. Skin may stick to these extremely cold surfaces.
 - Do not store or use gasoline or other flammable vapors and liquids in the vicinity of this or any other appliance.
 - In refrigerators with automatic ice makers, avoid contact with the moving parts of the ejector mechanism, or with the heating element that releases the cubes. Do not place fingers or hands on the automatic ice making mechanism while the refrigerator is plugged in.
 - Keep fingers out of the "pinch point" areas; clearances between the doors and between the doors and cabinet are necessarily small. Be careful closing doors when children are in the area.
 - Unplug the refrigerator before cleaning and making repairs.
- NOTE:** We strongly recommend that any servicing be performed by a qualified individual.
- Do not refreeze frozen foods which have thawed completely.
 - Do not attempt replacing a burned-out out light bulb. This shall be only completed by a service technician for this unit.

IMPORTANT SAFETY INFORMATION. READ ALL INSTRUCTIONS BEFORE USING.

moftatappliances.ca

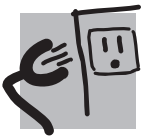
WARNING **Explosion Hazard.**

Keep flammable materials and vapors, such as gasoline, away from refrigerator. Failure to do so can result in fire, explosion, or death.

CONNECTING ELECTRICITY

WARNING **Electrical Shock Hazard.**

Plug into a grounded 3-prong outlet
Do not remove the ground prong
Do not use an adapter
Failure to follow these instructions can result in death, fire, or electrical shock.



Do not, under any circumstances, cut or remove the third (ground) prong from the power cord. For personal safety, this appliance must be properly grounded.

The power cord of this appliance is equipped with a 3-prong (grounding) plug which mates with a standard 3-prong (grounding) wall outlet to minimize the possibility of electric shock hazard from this appliance.

Have the wall outlet and circuit checked by a qualified electrician to make sure the outlet is properly grounded.

Where a standard 2-prong wall outlet is encountered, it is your personal responsibility and obligation to have it replaced with a properly grounded 3-prong wall outlet. Do not use an adapter.

The refrigerator should always be plugged into its own individual electrical outlet which has a voltage rating that matches the rating plate.

This provides the best performance and also prevents overloading house wiring circuits which could cause a fire hazard from overheated wires.

Never unplug your refrigerator by pulling on the power cord. Always grip plug firmly and pull straight out from the outlet.

Repair or replace immediately all power cords that have become frayed or otherwise damaged. Do not use a cord that shows cracks or abrasion damage along its length or at either end.

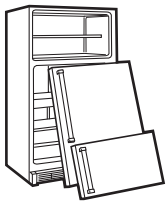
When moving the refrigerator away from the wall, be careful not to roll over or damage the power cord.

PROPER DISPOSAL OF YOUR OLD REFRIGERATOR

WARNING **Suffocation and child entrapment hazard.**

Remove fresh-food and freezer doors from the refrigerator, prior to disposal. Failure to do so can result in child entrapment which can lead to death or brain damage.

IMPORTANT:



Child entrapment and suffocation are not problems of the past. Junked or abandoned refrigerators are still dangerous even if they will sit for "just a few days." If you are getting rid of your old refrigerator, please follow the instructions below to help prevent accidents.

Before You Throw Away Your Old Refrigerator or Freezer:

- Take off the fresh food and freezer doors.
- Leave the shelves in place so that children may not easily climb inside.

Refrigerants

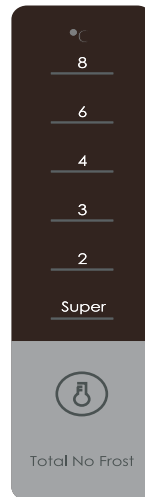
All refrigeration products contain refrigerants, which under federal law must be removed prior to product disposal. If you are getting rid of an old refrigeration product, check with the company handling the disposal about what to do.




**READ AND FOLLOW THIS SAFETY INFORMATION CAREFULLY.
SAVE THESE INSTRUCTIONS**

Structure and functions

Functions



Buttons

To adjust the temperature settings in the refrigeration compartment, press the icon  to adjust the temperature setting or to enter "Super Cooling Mode"

Display screen

The Icons represents the available temperature settings available. When switching between temperature settings, the corresponding icon will shine.

When icon "Super" is shining, it means the refrigerator will run in Super Cooling mode.

When the refrigerator is powered on, the icons on the display will lighten for 3s, and then display the default temperature setting.

Energy saving tips

- The appliance should be located in the coolest area of the room, away from heat producing appliances or heating ducts, and out of the direct sunlight.
- Let hot foods cool to room temperatura before placing in the appliance. Overloading the appliance forces the compressor to run longer. Foods that freeze too slowly may lose quality, or spoil.
- Be sure to wrap foods properly, and wipe containers dry before placing them in the appliance. This cuts down on frost build-up inside the appliance.
- Appliance storage bin should not be lined with aluminum foil, wax paper, or paper toweling. Liners interfere with cold air circulation, making the appliance less efficient.
- Organize and label food to reduce door openings and extended searches. Remove as many items as needed at one time, and close the door as soon as possible.
- The refrigerator is made on the air-cooling principle and thus has automatic defrosting function. Frost formed due to change of season or temperature may also be manually removed by disconnection of the appliance from power supply or by wiping with a dry towel.

Cleaning the Outside

Keep the outside clean. Wipe with a clean cloth lightly dampened with mild liquid dish detergent. Dry with a clean, soft cloth.

Do not wipe the stainless steel door with a soiled dishcloth or wet towel. These may leave a residue that can erode the finish. Do not use scouring pads, powdered cleaners, bleach or cleaners containing bleach because these products can scratch and weaken the finish. Use only a liquid cleanser free of grit and rub in the direction of the brush lines.

The stainless steel door and door handle can be cleaned with a commercially available stainless steel cleaner. Cleaners with oxalic acid (e.g. Bar Keepers Friend Soft Cleanser) will remove rust, lime, and other tarnish. Do not use appliance wax or polish on the stainless steel.

Cleaning the Inside

To help prevent odors, leave an open box of baking soda in the fresh food and freezer compartments.

Unplug the refrigerator before cleaning.

If this is not practical, wring excess moisture out of sponge or cloth when cleaning around switches, lights or controls.

Use warm water and baking soda solution—about a tablespoon (15 ml) of baking soda to a quart (1 liter) of water. This both cleans and neutralizes odors. Rinse and wipe dry.

Other parts of the refrigerator—including door gaskets, fruit and vegetable drawers, and all plastic parts—can be cleaned the same way.

After cleaning the door gaskets, apply a thin layer of petroleum jelly to the door gaskets at the hinge side. This helps keep the gaskets from sticking and bending out of shape. Do not use cleansing powders or other abrasive cleaners.

Do not wash any plastic refrigerator parts in the dishwasher.

Avoid cleaning cold glass shelves (on some models) with hot water because the extreme temperature difference may cause them to break. Handle glass shelves carefully. Bumping tempered glass can cause it to shatter.

Replacing the Light Bulb

WARNING

Light bulb may be hot.

Do not attempt to replace the light bulb for this unit. A burned-out light bulb may break if attempted to fix. Please contact your local Moffat Service Technician or contact 800.561.3344.

Preparing for Vacation

For long vacations or absences, remove food and unplug the refrigerator. Clean the interior with a baking soda solution of one tablespoon (15 ml) of baking soda to one quart (1 liter) of water. Leave the doors open.

Preparing to Move

Remove food and unplug the refrigerator. Secure all loose items such as shelves and drawers by taping them securely in place to prevent damage.

Be sure the refrigerator stays in an upright position during moving.

Installation Instructions

Refrigerator

Model MBE11DSLSS

If you have questions, call 1.800.561.3344 or Visit our Website at:
www.moffatappliances.ca

BEFORE YOU BEGIN

Read these instructions completely and carefully.

- **IMPORTANT** – Save these instructions for local inspector's use.
- **IMPORTANT** – Observe all governing codes and ordinances.
- **Note to Installer** – Be sure to leave these instructions with the Consumer.
- **Note to Consumer** – Keep these instructions for future reference.
- Skill level – Installation of this appliance requires basic mechanical skills.
- Completion time – Refrigerator Installation
15 minutes
- Proper installation is the responsibility of the installer.
- Product failure due to improper installation is not covered under the Warranty.

LOCATION REQUIREMENTS

- Do not install the refrigerator where the temperature will go below 55°F (13°C) because it will not run often enough to maintain proper temperatures.
- Install it on a floor strong enough to support it fully loaded.

CLEARANCES

- Free-standing installation only.
- If the refrigerator is being installed next to a wall, leave sufficient space on the hinge side to allow the door to swing open enough to access the clear bins in the refrigerator compartment.
- Do not install within 5" (13 cm) of the range.
- Minimum Clearances:

Back	3" from wall
Sides	1"
Top	2"

1" = 2.5 cm; 1' = 0.3 m

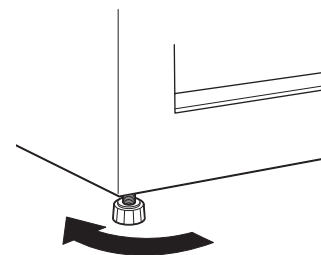
UNPACKING YOUR REFRIGERATOR

- Remove tape and any labels (except for the rating label) from your refrigerator. Tape or glue residue can also be removed by rubbing a small amount of liquid dish soap over the adhesive with your fingers. Wipe with warm water and dry.
- Do not use sharp instruments, rubbing alcohol, flammable fluids, or abrasive cleaners to remove tape or glue. These products can damage the surface of your refrigerator.
- When moving the refrigerator, do not tilt the refrigerator beyond 45° from upright position.

LEVELING LEGS

Adjustable legs at the front corners of the refrigerator should be set so the refrigerator is firmly positioned on the floor, and the front is raised just enough that the door closes easily when opened about halfway.

To adjust the leveling legs, turn the legs **clockwise to raise** the refrigerator, **counterclockwise to lower** it.



To raise the refrigerator

POWER CORD

- Plug the refrigerator power cord into its own properly grounded wall outlet with a voltage rating matching that on the refrigerator rating plate.
- Do not use an extension cord.
- Read all safety precautions on pages 2 and 3.

Installation Instructions

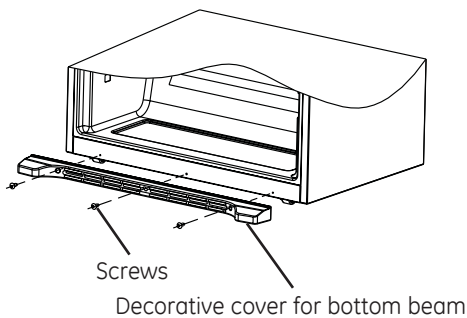
PREPARATION

1 GENERAL PREPARATION

1. Remove all packaging material before using your new refrigerator. This includes the foam base and all adhesive tape holding the refrigerator accessories inside and outside.
2. Clean both the inside and outside of the refrigerator with a wet cloth.
3. The power cord of this appliance is equipped with a 3-prong (grounding) plug which mates with a standard 3-prong (grounding) wall outlet to minimize the possibility of electric shock hazard from this appliance.

For your safety, please review pages 2-3 for more safety information.

4. Inside the refrigerator you will find a decorative accessory to be installed as shown below. The installation of this is purely a personal preference and will not effect the performance or conditions in any way.



2 TRANSPORT OF YOUR REFRIGERATOR

1. Keep upright and avoid squeezing or vibration during transport. Avoid a slant angle over 45 degree during handling.
2. Avoid the door or top cap from being under excessive stress when moving; otherwise, it may become deformed.

3 PLACING OF YOUR REFRIGERATOR

1. Place your refrigerator in a well vented location keeping it away from heat sources and/or direct sunlight. Also, avoid humidity and damp locations to protect the integrity of your appliance..
2. The refrigerator shall be placed on a flat and firm ground (if not flat, you can use the leveling legs for adjustment).

NOTE: Keep your refrigerator standing.

3. Make sure the power wire is not pinned by the refrigerator or other objects so as to avoid accidents arising from power wire faults. Please check the voltage scope of your refrigerator against the actual power supply before switching it on.

CAUTION

The refrigerator must be disconnected from the source of electrical supply before attempting the installation of accessory.

Don't use mechanical equipment or other methods to accelerate the defrosting process except the means recommended by the manufacturer.

Don't use any electrical appliances in the food storage compartments except the model recommended by the manufacture.

The R134a refrigerant and cyclopentane foaming material used in the refrigerator are inflammable.

Installation Instructions

PREPARATION (CONT.)

4 START TO USE

Prior to use, it is good practice to review all safety and precautionary warnings to ensure safe use of your appliance. For more information, please refer to pages 2 and 3 for greater detail.

Unpacking

Please install the decorative cover for bottom beam onto your refrigerator after unpacking and adjust the front leveling legs to level your refrigerator. The following pages will provide more detail on installing the decorative cover.

Connecting Your Refrigerator to the Power Supply

Your refrigerator will enter a default factory state after connecting to the power supply and it will display target temperatures for the refrigerator compartment and freezer compartment.

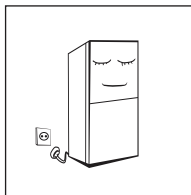
Storing Food in the Refrigerator

Once installation is complete, you may want to wait until the compartments have reached their required operating temperatures.

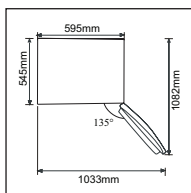
Tips: The interior temperature may require a certain period of time to reach balance if the setting temperature is changed or if additional items are added to the refrigerator. Such a period of time depends on the change to the setting temperature, the surrounding temperature, opening frequency, the amount of the stored food and etc.

5 STARTING

- Before initial start, keep the refrigerator still for two hours before connecting it to power supply.
- Before putting any fresh or frozen foods, the refrigerator shall have run for 2-3 hours, or for above 4 hours in summer when the ambient temperature is high.



- Keep enough space for convenient opening of the doors and drawers ensuring there are no obstructions.



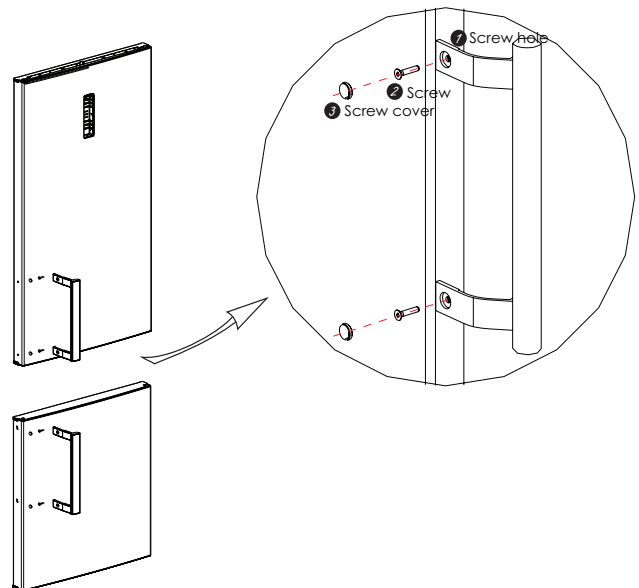
6 DOOR HANDLE INSTALLATION

Precautions shall be taken to prevent fall of the handle from causing any personal injury.

TOOLS REQUIRED



Phillips screwdriver



Assembly steps

- a. Use cross screwdriver to fix screws **2** into the screw hole **1** tightly
- b. assemble the screw hole caps **3** on the screw hole of handle

Installation Instructions

REVERSING THE DOOR SWING

IMPORTANT NOTES

When reversing the door swing:

- Read the instructions all the way through before starting.
- Handle parts carefully to avoid scratching paint.
- Set screws down by their related parts to avoid losing them.
- Provide a non-scratching work surface for the doors.

IMPORTANT: Once you begin, do not move the cabinet until door-swing reversal is completed.

These instructions are for changing the hinges from the right side to the left side –if you ever want to change the hinges back to the right side, follow these same instructions and reverse all references to left and right.



CAUTION Lifting Hazard

The Fresh Food and Freezer doors are heavy Use both hands to secure the doors before lifting.

TOOLS REQUIRED

Tools you will need



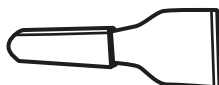
Phillips screwdriver



Masking tape



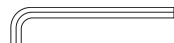
3/8" hex-head socket driver



Putty knife or thin-blade screwdriver



7/16" open-end wrench (optional)



Allen wrench (Stainless Steel Handle Models)

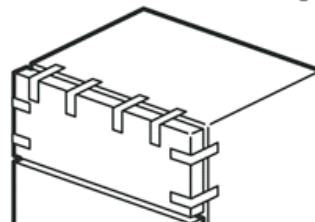
1 BEFORE YOU START

- 1.1 Unplug the refrigerator from its electrical outlet.
- 1.2 Empty all door shelves, including the dairy compartment.

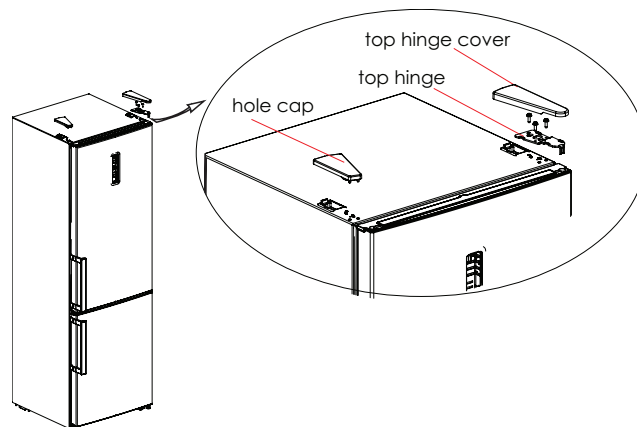
CAUTION: Do not let door drop to the floor. To do so could damage the door stop.

2 BEFORE YOU START

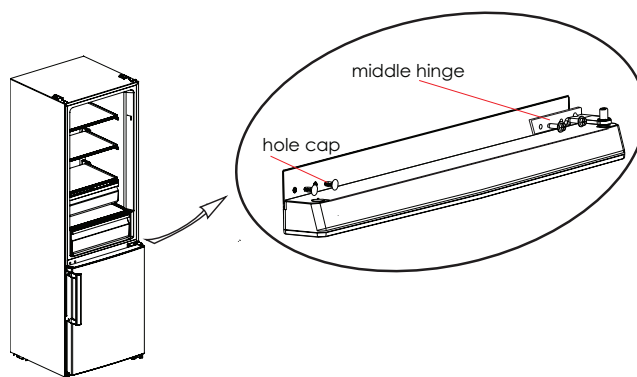
- 2.1 Remove all food from the inner door liner. Tape the door shut with masking tape.



- 2.2 Take off top hinge cover, top hinge and the hole cap

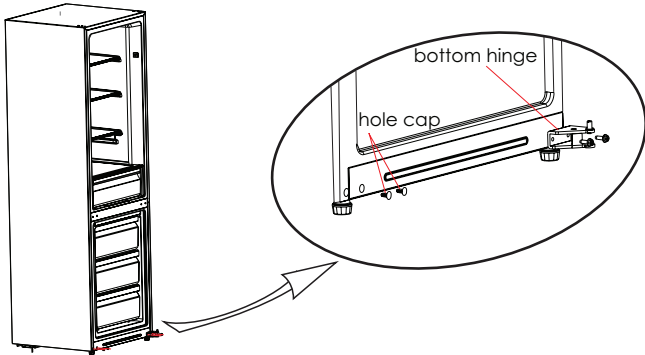


- 2.3 Remove the refrigerating door signal line, Take off refrigerating chamber door as well as middle hinge, hole cap.

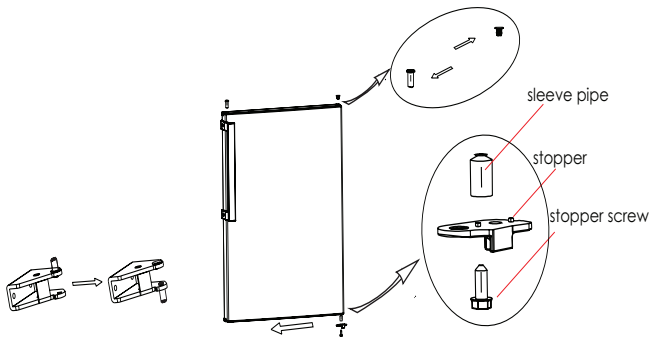


Installation Instructions

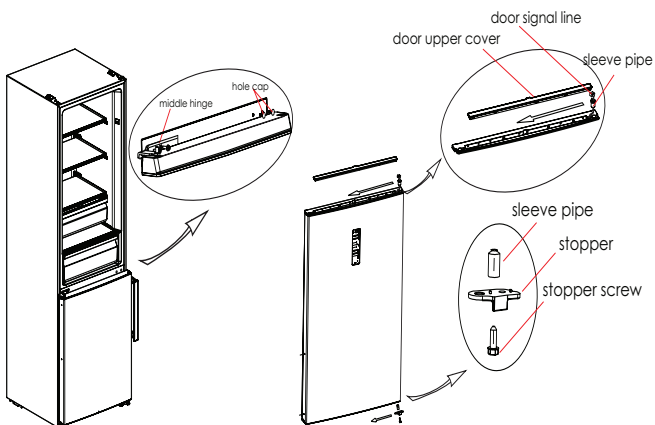
2.4 Take off freezing chamber door, dismount bottom hinge, hole caps.



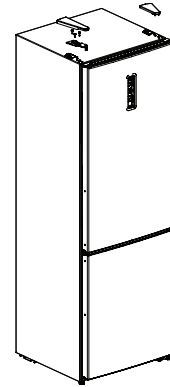
2.5 Mount sleeve of bottom hinge on the other side and mount the bottom hinge on the other side. Take off the bottom stopper of freezing chamber door and mount it on the other side. Take off the sleeve pipe and hole caps on the freezing chamber door and mount it on the other side.



2.6 Place freezing door on bottom hinge and mount middle hinge and middle hole caps. Remove the freezing door upper cover, install the upper hinge sleeve and door signal line to the other side. Take off the bottom stopper, sleeve pipe of refrigerating door and mount it on the other side.



2.7 Place refrigerating door on middle hinge and mount top hinge; Mount top hinge cover and hole cap. For the assembly of handle, please refer to chapter 2.2.



Normal operating sounds.



Newer refrigerators sound different from older refrigerators. Modern refrigerators have more features and use newer technology.

Do you hear what I hear? These sounds are normal.

HUMMM... WHOOSH...

- The new high efficiency compressor may run faster and longer than your old refrigerator and you may hear a high-pitched hum or pulsating sound while it is operating.
- You may hear a whooshing sound when the doors close. This is due to pressure equalizing within the refrigerator.



- You may hear the fans spinning at high speeds. This happens when the refrigerator is first plugged in, when the doors are opened frequently or when a large amount of food is added to the refrigerator or freezer compartments. The fans are helping to maintain the correct temperatures.

CLICKS, POPS, CRACKS and CHIRPS

- You may hear cracking or popping sounds when the refrigerator is first plugged in. This happens as the refrigerator cools to the correct temperature.
- The compressor may cause a clicking or chirping sound when attempting to restart (this could take up to 5 minutes).
- Expansion and contraction of cooling coils during and after defrost can cause a cracking or popping sound.
- On models with an ice maker, after an ice making cycle, you may hear the ice cubes dropping into the ice bucket.

WATER SOUNDS



- The flow of refrigerant through the freezer cooling coils may make a gurgling noise like boiling water.
- Water dropping on the defrost heater can cause a sizzling, popping or buzzing sound during the defrost cycle.
- A water dripping noise may occur during the defrost cycle as ice melts from the evaporator and flows into the drain pan.
- Closing the door may cause a gurgling sound due to pressure equalization.

Before you call for service...



*Troubleshooting Tips
Save time and money! Review the charts on the following pages first and you may not need to call for service.*

Problem	Possible Causes	What To Do
Refrigerator does not operate	Refrigerator in defrost cycle.	Wait about 30 minutes for defrost cycle to end.
	Refrigerator is unplugged.	Push the plug completely into the outlet.
	The fuse is blown/circuit breaker is tripped.	Replace fuse or reset the breaker.
Vibration or rattling (slight vibration is normal)	Front leveling legs need adjusting.	See <i>Leveling Legs</i> .
Motor operates for long periods or cycles on and off frequently. (Modern refrigerators with more storage space and a larger freezer require more operating time. They start and stop often to maintain even temperatures.)	Normal when refrigerator is first plugged in.	Wait 24 hours for the refrigerator to completely cool down.
	Often occurs when large amounts of food are placed in refrigerator.	This is normal.
	Door left open.	Check to see if a package is holding door open.
	Hot weather or frequent door openings.	This is normal.
	Temperature control set at the coldest setting.	See <i>about the control on the refrigerator</i>
Fresh food or freezer compartment too warm	Temperature control not set cold enough.	See <i>about the control of the refrigerator</i>
	Warm weather or frequent door openings.	Set the temperature control one step colder.
	Door left open.	Check to see if a package is holding door open.
Frost or ice crystals on frozen food (frost within package is normal)	Door left open.	Check to see if a package is holding door open.
	Too frequent or too long door openings.	
Ice cubes have odor/taste	Food transmitting odor/taste to ice cubes.	Wrap foods well.
	Interior of refrigerator needs cleaning.	See <i>Care and Cleaning</i> .
Slow ice cube freezing	Door left open.	Check to see if package is holding door open.
	Temperature control not set cold enough.	See <i>About the Refrigerator Functions</i> .
Refrigerator has odor	Foods transmitting odor to refrigerator.	Foods with strong odors should be tightly wrapped. Keep an open box of baking soda in the refrigerator; replace every three months.
	Interior needs cleaning.	See <i>Care and Cleaning</i> .
Moisture forms on outside of refrigerator	Not unusual during periods of high humidity.	Wipe surface dry.
Moisture collects inside (in humid weather, air carries moisture into refrigerator when doors are opened)	Too frequent or too long door openings.	

Before you call for service...



Troubleshooting Tips
 Save time and money! Review the charts on the following pages first and you may not need to call for service.

Problem	Possible Causes	What To Do
Interior light does not work	No power at outlet.	Replace fuse or reset the breaker.
	Light bulb burned out.	See <i>Replacing the Light Bulb</i> .
Food is freezing in the refrigerator	Food too close to the air vent at the back of the refrigerator.	Move the food away from the air vent.
	Refrigerator control is set too cold.	Move the refrigerator control to a warmer temperature setting one increment at a time. See about the control on the refrigerator.
Rust, tarnish, or grime on stainless steel doors	Moist environment or salt air.	Clean stainless steel with cleaners containing oxalic acid (e.g. Bar Keepers Friend Soft Cleanser) will remove rust, lime, and other tarnish. Do not wipe the refrigerator with a soiled dish cloth or wet towel. Do not use scouring pads, powdered cleaners, bleach or cleaners containing bleach because these products can scratch and ruin the brush finish of the stainless steel.

Please place in envelope and mail to:
Veuillez mettre dans une enveloppe et envoyez à :

**OWNERSHIP REGISTRATION
P.O. BOX 1780
MISSISSAUGA, ONTARIO
L4Y 4G1**

(FOR CANADIAN CONSUMERS ONLY)



For Canadian
Customers



Pour les
Consommateurs
Canadiens

CUT ALONG THIS LINE AND RETURN CARD — THANKS

OWNERSHIP REGISTRATION CERTIFICATE – FICHE D'INSCRIPTION DU PROPRIÉTAIRE			
Please register your product to enable us to contact you in the remote event a safety notice is issued for this product and to allow for efficient communication under the terms of your warranty, should the need arise.		Veuillez enregistrer votre produit afin de nous permettre de communiquer avec vous si jamais un avis de sécurité concernant ce produit était émis et de communiquer facilement avec vous en vertu de votre garantie, si le besoin s'en fait sentir.	
REGISTER ON-LINE: www.geappliances.ca		MAIL TO: P.O. BOX 1780, MISSISSAUGA	
ENREGISTREMENT SUR INTERNET À : www.electromenagersge.ca		POSTER À : ONTARIO, L4Y 4G1	
<input type="checkbox"/> MR. / M	<input type="checkbox"/> MRS. / MME.	FIRST NAME / PRÉNOM	LAST NAME / NOM
<input type="checkbox"/> MISS/MLE.	<input type="checkbox"/> MS.		
STREET NO / N° RUE	STREET NAME / RUE		APT.NO/APP./RR#
CITY / VILLE		PROVINCE	POSTAL CODE POSTAL
AREA CODE / IND. REG.	TELEPHONE	E-MAIL	
DID YOU PURCHASE A SERVICE CONTRACT FOR THIS APPLIANCE? AVEZ-VOUS ACHÉTÉ UN CONTRAT DE SERVICE POUR CET APPAREIL ?		YES/OUI NO/NON	<input type="checkbox"/> IF YES/SI OUI : EXPIRATION Y/A M DU
NAME OF SELLING DEALER / NOM DU MARCHAND		MODEL / MODÈLE	
INSTALLATION DATE / DATE D'INSTALLATION Y/A M DU	CORRESPONDENCE CORRESPONDANCE	<input type="checkbox"/> ENGLISH <input type="checkbox"/> FRANÇAIS	SERIAL / SÉRIE
<input type="checkbox"/> I do not wish to receive any promotional offers regarding this product. Je ne désire pas recevoir d'offres promotionnelles concernant ce produit.			

Refrigerator Warranty.

All warranty service provided by our Factory Service Centers, or an authorized Customer Care® technician. To schedule service call 1-800-561-3344.

Please have serial number and model number available when calling for service.

Staple your receipt here.
Proof of the original purchase date is needed to obtain service under the warranty.

For The Period Of: MC Commercial Inc. Will Replace

One Year
From the date of the original purchase

Any part of the refrigerator which fails due to a defect in materials or workmanship. During this **limited one-year warranty**, MC Commercial Inc. will also provide, **free of charge**, all labor and related service to replace the defective part.

What MC Commercial Inc. Will Not Cover:

- Service trips to your home to teach you how to use the product.
- Improper installation, delivery or maintenance.
- Failure of the product if it is abused, misused, or used for other than the intended purpose or used commercially.
- Loss of food due to spoilage.
- Replacement of house fuses or resetting of circuit breakers.
- Damage caused after delivery.
- Replacement of the water filter cartridge, if included, due to water pressure that is outside the specified operating range or due to excessive sediment in the water supply.
- Replacement of the light bulbs, if included, or water filter cartridge, if included, other than as noted above.
- Damage to the product caused by accident, fire, floods or acts of God.
- Incidental or consequential damage caused by possible defects with this appliance.
- Product not accessible to provide required service.

EXCLUSION OF IMPLIED WARRANTIES-Your sole and exclusive remedy is product repair as provided in this Limited Warranty. Any implied warranties, including the implied warranties of merchantability or fitness for a particular purpose, are limited to one year or the shortest period allowed by law.

This warranty is extended to the original purchaser and any succeeding owner for products purchased in Canada for home use within Canada.

In-home warrant service will be provided in areas where it is available and deemed reasonable by MC Commercial Inc. to provide.

Warrantor: MC Commercial Inc., Burlington, ON L7R 5B6

Consumer Support.



Schedule Service

Expert repair service is only one step away from your door.
Call 1.800.561.3344 during normal business hours.



Real Life Design Studio

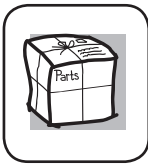
We support Universal Design concept-products, services and environments that can be used by people of all ages, sizes and capabilities. We recognize the need to design for a wide range of physical and mental abilities and impairments. For details of our Universal Design applications, including kitchen design ideas for people with disabilities, check out our Website today.

Write to us: Director, Customer Relations, MC Commercial Inc.
Bureau 310, 1 Factory Lane
Moncton, N.B. E1C 9M3



Extended Warranties

Please consult your local listings for extended warranty suppliers.



Parts and Accessories

Consult the yellow pages for the nearest authorized parts distributor, or call 1.800.661.1616.

Instructions contained in this manual cover procedures to be performed by any user.
Other servicing generally should be referred to qualified service personnel. Caution must be exercised, since improper servicing may cause unsafe operation.



Contact Us

If you are not satisfied with the service you receive, contact us on our Website with all the details including your phone number, or write to:

Director, Customer Relations, MC Commercial Inc.
Bureau 310, 1 Factory Lane
Moncton, N.B. E1C 9M3



Register Your Appliance

moffatappliances.ca

Register your new appliance on-line-at your convenience! Timely product registration will allow for enhanced communication and prompt service under the terms of your warranty, should the need arise.
You may also mail in the pre-printed registration card included in the packing material.

Réfrigérateur à congélateur en bas

electromenagersmoffat.ca

Consignes de sécurité 19, 20

Structure et fonctions

Réglages des commandes.....21

Entretien et nettoyage22

Instructions d'installation

Planification avancée..... 23

Préparation 24, 25

Inversion de la porte 26, 27

Conseils de dépannage

Bruits de fonctionnement normaux ... 28

Résolution de problèmes 29, 30

Service à la clientèle

Enregistrement du produit 31, 32

Garantie 33

Service à la clientèle..... 34

**Manuel de l'utilisateur
et instructions
d'installation**

MBE11DSLSS

*Inscrivez ici les numéros de modèle
et de série :*

N° de modèle _____

N° de série _____

Vous trouverez ces numéros sur une
étiquette à l'intérieur du réfrigérateur.

CONSIGNES DE SÉCURITÉ IMPORTANTES. LISEZ TOUTES LES INSTRUCTIONS AVANT D'UTILISER VOTRE APPAREIL.

CONSIGNES DE SÉCURITÉ IMPORTANTES LISEZ TOUTES LES INSTRUCTIONS AVANT D'UTILISER VOTRE APPAREIL



Site Web des électroménagers Moffat

Pour obtenir de plus amples renseignements sur le fonctionnement de votre réfrigérateur, visitez le www.electromenagersmoffat.ca ou appelez au 1-800-561-3344

CONSIGNES DE SÉCURITÉ RELATIVES AU RÉFRIGÉRATEUR

! Voici le symbole d'avertissement de sécurité. Il vous avertit des dangers potentiels qui pourraient provoquer la mort ou des blessures, à vous ou à autrui. Tous les messages de sécurité suivent ce symbole d'avertissement de sécurité et les mots « DANGER », « AVERTISSEMENT » ou « ATTENTION ». Voici la définition de ces mots :

DANGER Indique une situation dangereuse qui, si elle n'est pas évitée, **entraînera** la mort ou des blessures sérieuses.

AVERTISSEMENT Indique une situation dangereuse qui, si elle n'est pas évitée, **pourrait** entraîner la mort ou des blessures sérieuses.

ATTENTION Indique une situation dangereuse qui, si elle n'est pas évitée, **pourrait** entraîner des blessures mineures ou plus sérieuses.

CONSIGNES DE SÉCURITÉ IMPORTANTES

AVERTISSEMENT Pour réduire les risques d'incendie, d'explosion, de choc électrique ou de blessures lorsque vous utilisez le réfrigérateur, suivez les mesures de sécurité de base suivantes :

- Ce réfrigérateur doit être installé conformément aux instructions d'installation avant d'être utilisé.
 - Ne laissez pas les enfants grimper, s'asseoir, se tenir debout ni se pendre aux clayettes de cet appareil. Ils pourraient l'endommager et se blesser gravement.
 - Ne touchez pas les surfaces froides du congélateur, plus particulièrement lorsque vos mains sont humides. Votre peau peut coller à ces surfaces extrêmement froides.
 - Ne rangez pas et n'utilisez pas d'essence ou d'autres vapeurs et liquides inflammables à proximité de cet appareil ou de tout autre appareil électroménager.
 - Si vous possédez un réfrigérateur doté d'une machine à glaçons automatique, évitez tout contact avec les pièces mobiles du mécanisme d'éjection ou avec l'élément chauffant qui libère les glaçons. Ne mettez pas vos mains ni vos doigts sur le mécanisme de production automatique des glaçons lorsque le réfrigérateur est branché.
 - Éloignez vos doigts des zones où vous pouvez facilement vous faire pincer : les espaces entre les portes, et entre les portes et les armoires, sont toujours étroits. Soyez prudent lorsque vous fermez les portes du réfrigérateur en présence d'enfants.
 - Débranchez l'appareil avant de le nettoyer et de le réparer.
- REMARQUE :** Nous vous recommandons vivement de confier les réparations à un technicien qualifié.
- Ne recongelez pas d'aliments qui ont complètement décongelé.
 - Ne tentez pas de remplacer une ampoule grillée. Le remplacement des ampoules sur cet appareil ne doit être effectué que par un technicien en entretien et en réparation.

CONSIGNES DE SÉCURITÉ IMPORTANTES.

LISEZ TOUTES LES INSTRUCTIONS AVANT D'UTILISER VOTRE APPAREIL. electromenagersmoffat.ca



Risque d'explosion.

Tenez les matières et les vapeurs inflammables, comme l'essence, à l'écart du réfrigérateur. Le non-respect de cette consigne peut entraîner un incendie, une explosion ou la mort.

RACCORDEMENT ÉLECTRIQUE



Risque de choc électrique.

Branchez l'appareil sur une prise à 3 alvéoles mise à la terre

Ne retirez pas la broche de mise à la terre de la fiche

N'utilisez pas de fiche d'adaptation

Le non-respect de ces consignes peut entraîner un choc électrique, un incendie ou même la mort.



Ne coupez et ne retirez en aucun cas la troisième broche (mise à la terre) de la fiche du cordon d'alimentation. Pour votre sécurité, cet appareil doit être correctement mis à la terre.

Pour diminuer les risques de choc électrique, le cordon d'alimentation de cet appareil est muni d'une fiche à 3 broches (mise à la terre) qui correspond à une prise murale à 3 alvéoles (prise mise à la terre).

Faites vérifier la prise murale et le circuit par un électricien qualifié pour vous assurer que la prise est correctement mise à la terre.

Si la prise murale comporte 2 alvéoles, c'est à l'utilisateur qu'incombe la responsabilité et l'obligation de la faire remplacer par une prise à 3 alvéoles correctement mise à la terre. N'utilisez pas d'adaptateur.

Le réfrigérateur doit toujours être le seul appareil branché sur une prise de courant dont la tension nominale correspond à celle indiquée sur la plaque signalétique.

Cela assure de meilleures performances et évite toute surcharge, et donc surchauffe, des circuits du domicile qui pourrait être à l'origine d'un incendie.

Ne débranchez jamais le réfrigérateur en tirant sur son cordon d'alimentation. Saisissez fermement la fiche et sortez-la de la prise en tirant bien droit.

Réparez ou remplacez immédiatement tous les cordons électriques effilochés ou endommagés. N'utilisez pas de cordon qui présente des signes d'usure ou de fissure.

Lorsque vous éloignez l'appareil du mur, faites attention à ne pas le faire rouler sur le cordon d'alimentation et à ne pas endommager ce dernier.

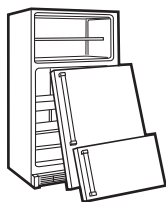
MISE AU REBUT ADÉQUATE DE VOTRE VIEUX RÉFRIGÉRATEUR



Risque d'asphyxie et d'enfermement des enfants.

Avant la mise au rebut du réfrigérateur, retirez les portes des compartiments de réfrigération et de congélation de l'appareil. Le non-respect de cette consigne pourrait faire en sorte qu'un enfant se retrouve enfermé dans le réfrigérateur et meure suffoqué ou soit victime de dommages au cerveau.

IMPORTANT :



Les enfants pris au piège ou morts d'asphyxie sont un problème courant. Les réfrigérateurs abandonnés ou mis au rebut sont toujours dangereux même si ce n'est que pour « quelques jours ». Si vous vous débarrassez de votre vieux réfrigérateur, veuillez suivre les instructions ci-dessous pour éviter tout accident.

Avant de mettre au rebut votre ancien réfrigérateur ou congélateur :

- Retirez les portes des compartiments de réfrigération et de congélation.

- Laissez les clayettes en place afin d'empêcher les enfants de grimper facilement à l'intérieur.

Fluides frigorigènes

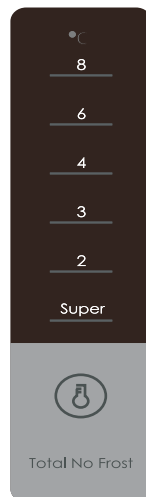
Tout appareil de réfrigération contient des frigorigènes qui doivent être retirés avant la mise au rebut de l'appareil. Si vous vous débarrassez d'un ancien appareil, adressez-vous à l'entreprise d'élimination des déchets pour savoir comment procéder.




**LISEZ ET SUIVEZ ATTENTIVEMENT CES CONSIGNES DE SÉCURITÉ.
CONSERVEZ CES INSTRUCTIONS**

Structure et fonctions

Fonctions



Boutons

Pour régler les paramètres de température dans le compartiment réfrigérateur, appuyez sur l'icône  pour ajuster le réglage de la température ou pour entrer dans le mode « Super Cooling » (super refroidissement).

Écran d'affichage

Les icônes représentent les réglages de température disponibles. En passant d'un réglage à l'autre, l'icône du réglage sélectionné s'allumera.

Lorsque l'icône « Super » est allumée, cela signifie que le réfrigérateur fonctionnera en mode super refroidissement.

Lorsque le réfrigérateur est mis sous tension, les icônes sur l'écran d'affichage s'allumeront pendant 3 secondes, à la suite de quoi seule l'icône du réglage de la température par défaut restera allumée.

Conseils pour l'économie d'énergie

- Cet appareil devrait être placé dans la zone la plus froide de la pièce, loin des appareils qui produisent de la chaleur, des conduits de chauffage et des rayons directs du soleil.
- Laissez les aliments chauds se refroidir à la température de la pièce avant de les placer dans le réfrigérateur. Surcharger l'appareil obligera le compresseur à fonctionner plus longtemps. Les aliments qui se congèlent trop lentement peuvent perdre de leur qualité ou se gâter.
- Assurez-vous de bien emballer les aliments et d'essuyer les contenants avant de les placer dans le réfrigérateur. Cela permet de diminuer la formation de givre dans l'appareil.
- Les bacs de rangement du réfrigérateur ne doivent pas être recouverts de papier d'aluminium, de papier ciré ou de papier essuie-tout. Ce type de revêtement affecterait la circulation de l'air froid et diminuerait l'efficacité de l'appareil.
- Étiquetez vos aliments et placez-les dans le congélateur de façon à éviter les ouvertures répétées de la porte et les recherches d'aliments prolongées. Retirez les aliments dont vous avez besoin en une seule fois et refermez la porte dès que possible.
- Ce réfrigérateur utilise une technologie de refroidissement par air et est donc doté d'une fonction de dégivrage automatique. Le givre formé en raison du changement de saison ou de température peut également être éliminé manuellement en débranchant de l'appareil la prise électrique ou en l'essuyant avec un chiffon sec.

Nettoyage de l'extérieur

L'extérieur du réfrigérateur doit rester propre. Nettoyez au moyen d'un chiffon propre légèrement imbibé de savon à vaisselle liquide doux. Séchez à l'aide d'un chiffon doux et propre.

N'essuyez pas la porte en acier inoxydable avec une serviette ou un torchon sale. Ceux-ci peuvent laisser un résidu qui pourrait endommager le revêtement extérieur. N'utilisez pas de tampon à récurer, de poudre nettoyante, d'agent de blanchiment (ou de produit qui en contient) car ils peuvent rayer ou fragiliser la fini. Utilisez uniquement un nettoyant liquide sans granule et frottez dans le sens du grain.

Les portes et les poignées de porte en acier inoxydable peuvent être nettoyées à l'aide d'un produit de nettoyage à acier inoxydable disponible sur le marché. Les nettoyants contenant de l'acide oxalique (ex. : Bar Keepers Friend Soft Cleanser) permettent d'éliminer la rouille, le ternissement et les petits défauts. N'utilisez pas de cire ni de produit à polir pour électroménagers sur l'acier inoxydable.

Nettoyage de l'intérieur

Pour éviter l'apparition d'odeurs désagréables, laissez une boîte de bicarbonate de soude ouverte dans le réfrigérateur et le congélateur.

Débranchez le réfrigérateur avant de le nettoyer.

Si cela n'est pas possible, essorez bien l'éponge ou le chiffon utilisé lorsque vous nettoyez autour des interrupteurs, des lampes ou des boutons de commande.

Utilisez une solution composée d'une pinte (1 litre) d'eau tiède et d'environ une cuillerée à soupe (15 ml) de bicarbonate de soude. Cette solution vous permettra de nettoyer l'intérieur de l'appareil tout en neutralisant les odeurs. Rincez et essuyez.

Les autres pièces du réfrigérateur, dont les joints de porte, les bacs à fruits et légumes et les pièces en plastique, peuvent être nettoyées de la même manière.

Une fois les joints de porte nettoyés, appliquez une fine couche de pétrolatum sur ceux-ci, au niveau des charnières. Cela évite aux joints de coller et de se tordre. N'utilisez pas de poudre nettoyante ou d'autre type de nettoyant abrasif.

Ne nettoyez aucune des pièces en plastique du réfrigérateur au lave-vaisselle.

Évitez de nettoyer les tablettes en verre (certains modèles) avec de l'eau chaude quand elles sont froides. Elles pourraient se briser à cause de la grande différence de température. Manipulez les tablettes en verre avec précaution. Des mouvements brusques pourraient casser le verre trempé.

Remplacement de l'ampoule



L'ampoule peut être chaude.

N'essayez pas de remplacer l'ampoule de cet appareil. Une ampoule grillée peut se casser si vous tentez de la remplacer. Veuillez contacter un technicien en entretien et en réparation Moffat de votre région ou appelez au 1-800-561-3344.

Avant de partir en vacances

En cas de vacances ou d'absences prolongées, retirez les aliments du réfrigérateur et débranchez-le. Nettoyez l'intérieur avec une solution d'eau et de bicarbonate de soude, à raison d'une cuillère à soupe (15 ml) de bicarbonate de soude pour 1 litre d'eau. Laissez les portes ouvertes.

Avant un déménagement

Retirez les aliments du réfrigérateur et débranchez-le. Afin d'éviter d'endommager les pièces mobiles comme les clayettes et les bacs, immobilisez-les au moyen de ruban adhésif.

Assurez-vous que le réfrigérateur reste en position verticale durant le déménagement.

Instructions d'installation

Réfrigérateur

Modèle MBE11DSLSS

Si vous avez des questions, composez le 1-800-561-3344 ou consultez notre site Web au www.electromenagersmoffat.ca

AVANT DE COMMENCER

Lisez attentivement toutes ces instructions.

- **IMPORTANT** – Conservez ces instructions pour l'inspecteur local.
- **IMPORTANT** – Observez tous les codes et règlements en vigueur.
- **Remarque destinée à l'installateur** – Assurez-vous de laisser ces instructions au consommateur.
- **Remarque destinée au consommateur** – Conservez ces instructions pour vous y reporter ultérieurement.
- Niveau de compétence – L'installation de cet appareil nécessite des compétences de base en mécanique.
- Durée de l'installation – Installation du réfrigérateur 15 minutes
- L'installateur est responsable de la qualité de l'installation.
- Une panne du produit due à une mauvaise installation n'est pas couverte par la garantie.

EXIGENCES RELATIVES À L'EMPLACEMENT D'INSTALLATION

- N'installez pas le réfrigérateur dans un endroit où la température peut descendre en dessous de 55 °F (13 °C), car il ne fonctionnera pas assez souvent pour maintenir une bonne température intérieure.
- Installez-le sur un plancher assez solide pour le supporter une fois plein.

DÉGAGEMENTS

- Pour installation autonome uniquement.
- Si le réfrigérateur est installé à côté d'un mur, laissez un espace suffisant sur le côté de la charnière pour permettre à la porte de s'ouvrir suffisamment pour accéder aux bacs transparents du compartiment réfrigérateur.
- Ne l'installez pas à moins de 5 po d'une cuisinière.
- Dégagements minimaux :

Arrière	3 po du mur
Côtés	1 po
Haut	2 po

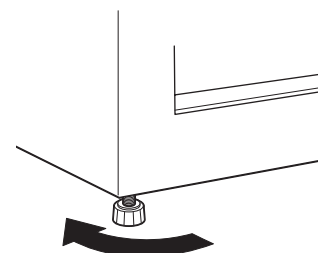
DÉBALLAGE DU RÉFRIGÉRATEUR

- Retirez les rubans et les étiquettes (sauf l'étiquette de capacité nominale) du réfrigérateur. Il est également possible de retirer les résidus de ruban ou de colle en frottant une petite quantité de liquide à vaisselle sur la substance adhésive avec vos doigts. Essuyez avec de l'eau chaude et séchez.
- N'utilisez pas d'instrument pointu, d'alcool à friction, de liquide inflammable ou de nettoyant abrasif pour retirer le ruban ou la colle. Ces produits peuvent endommager la surface du réfrigérateur.
- Lorsque vous déplacez le réfrigérateur, ne l'inclinez pas au-delà de 45° par rapport à la position debout.

PIEDS DE MISE À NIVEAU

Les pieds réglables à l'avant du réfrigérateur doivent être ajustés de manière à ce que l'appareil repose bien sur le sol et que l'avant soit légèrement surélevé pour permettre à la porte de se fermer facilement lorsque celle-ci est entrouverte.

Pour régler les pieds de mise à niveau, tournez-les vers la droite pour surélever le réfrigérateur ou vers la gauche pour l'abaisser.



Pour surélever le réfrigérateur

CORDON ÉLECTRIQUE

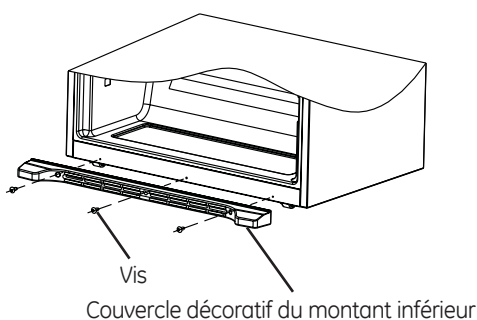
- Branchez le cordon d'alimentation du réfrigérateur dans une prise correctement mise à la terre et comportant une tension nominale correspondant à celle de la plaque signalétique du réfrigérateur.
- N'utilisez pas de cordon prolongateur.
- Lisez toutes les consignes de sécurité aux pages 19 et 20.

Instructions d'installation

PRÉPARATIFS

1 PRÉPARATIFS GÉNÉRAUX

1. Avant d'utiliser votre nouveau réfrigérateur, retirez tout le matériel d'emballage. Cela inclut la base en mousse et tout le ruban adhésif servant à retenir les accessoires du réfrigérateur à l'intérieur et à l'extérieur de ce dernier.
2. Nettoyez l'intérieur et l'extérieur du réfrigérateur à l'aide d'un chiffon humide.
3. Pour diminuer les risques de choc électrique, le cordon d'alimentation de cet appareil est muni d'une fiche à 3 broches (mise à la terre) qui correspond à une prise murale à 3 alvéoles (prise mise à la terre).
Pour votre sécurité, veuillez lire les renseignements sur la sécurité des pages 19 et 20.
4. À l'intérieur du réfrigérateur, vous trouverez un accessoire décoratif qui doit être installé comme indiqué ci-dessous. L'installation de cet accessoire n'est qu'une question de goût personnel et n'a aucun impact sur la performance ou le fonctionnement de l'appareil.



2 TRANSPORT DE VOTRE RÉFRIGÉRATEUR

1. Gardez l'appareil à la verticale et évitez de le serrer ou de le secouer durant son transport. Évitez de l'incliner à plus de 45° en le manipulant.
2. Évitez d'appliquer une tension excessive sur les portes ou le dessus du réfrigérateur pendant le transport pour ne pas les déformer.

3 MISE EN PLACE DE VOTRE RÉFRIGÉRATEUR

1. Placez votre réfrigérateur dans un endroit bien ventilé, à l'écart des sources de chaleur et/ou des rayons directs du soleil. Évitez également de placer l'appareil dans un endroit humide.
2. Le réfrigérateur doit être placé sur un plancher plat et solide (si le plancher n'est pas parfaitement horizontal, vous pouvez utiliser les pieds de mise à niveau pour ajuster l'appareil).

REMARQUE : Laissez votre réfrigérateur en position verticale.

3. Assurez-vous que le câble d'alimentation n'est pas écrasé ou coincé par le réfrigérateur ou par un autre objet pour éviter les accidents causés par un mauvais fonctionnement du câble. Avant de mettre le réfrigérateur en marche, veuillez vérifier que la plage de tension de votre réfrigérateur convient à l'alimentation électrique de l'emplacement d'installation.

ATTENTION

Le réfrigérateur doit être déconnecté de la source d'alimentation électrique avant l'installation d'accessoires.

N'utilisez pas d'équipement mécanique ou d'autres méthodes pour accélérer le processus de décongélation à l'exception de la méthode recommandée par le fabricant.

N'utilisez aucun appareil électrique dans les compartiments de conservation des aliments, excepté le modèle recommandé par le fabricant.

Le fluide frigorigène R134a et la mousse de cyclopentane utilisés dans le réfrigérateur sont inflammables.

Instructions d'installation

PRÉPARATIFS (SUITE)

4 PREMIÈRE UTILISATION

Avant l'utilisation, il est recommandé de lire tous les avertissements et précautions sur la sécurité pour vous assurer que vous utilisez votre appareil de façon sécuritaire. Pour plus de détails, reportez-vous aux pages 19 et 20.

Déballage

Veillez installer le couvercle décoratif du montant inférieur de votre réfrigérateur après l'avoir déballé, et ajuster les pieds de mise à niveau pour mettre votre réfrigérateur à niveau. Les pages suivantes fourniront plus de détails sur l'installation du couvercle décoratif.

Branchement de votre réfrigérateur à l'alimentation électrique

Votre réfrigérateur entrera en mode de fonctionnement par défaut défini à l'usine après l'avoir branché à l'alimentation électrique et il affichera des températures cibles pour le compartiment réfrigérateur et le compartiment congélateur.

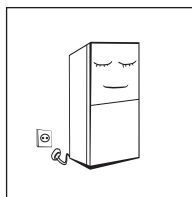
Conservation des aliments dans le réfrigérateur

Une fois l'installation du réfrigérateur terminée, vous pouvez vouloir attendre que les compartiments aient atteint leur température de fonctionnement.

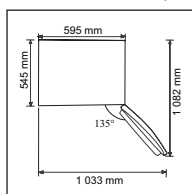
Conseils : L'intérieur du réfrigérateur peut nécessiter un certain temps avant d'atteindre la température cible si le réglage de la température est modifié ou si des aliments supplémentaires sont ajoutés dans le réfrigérateur. La durée de cette période dépend de l'importance du changement apporté à la température cible, de la température de l'air ambiant, de la fréquence de l'ouverture des portes, de la quantité d'aliments que le réfrigérateur renferme, etc.

5 PREMIÈRE MISE EN MARCHÉ

- Attendez deux heures avant de brancher le réfrigérateur à la prise électrique et de le mettre en marche pour la première fois.
- Avant de mettre des aliments frais ou congelés dans le réfrigérateur, ce dernier doit avoir fonctionné pendant une période de 2 à 3 heures (ou pour plus de 4 heures en été lorsque la température ambiante est élevée).



- Prévoyez suffisamment d'espace de dégagement pour permettre une ouverture facile des portes et des tiroirs.



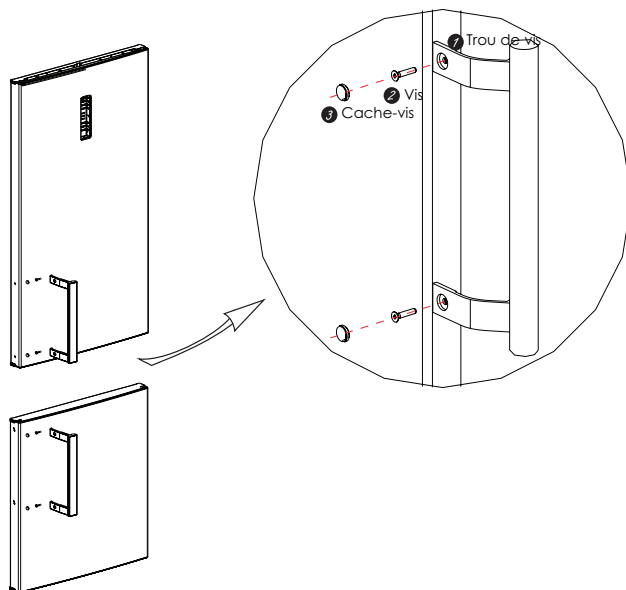
6 INSTALLATION DE LA POIGNÉE DE PORTE

Des précautions doivent être prises pour éviter la chute de la poignée, laquelle pourrait causer des blessures.

OUTILS NÉCESSAIRES



Tournevis Phillips



Étapes du montage

- À l'aide d'un tournevis cruciforme, fixez solidement les vis **2** dans les trous prévus à cet effet **1**.
- Couvrez les trous des vis de la poignée à l'aide **3** des capuchons fournis.

Instructions d'installation

INVERSION DE LA PORTE

REMARQUES IMPORTANTES

Pour inverser la porte :

- Lisez bien toutes les instructions avant de commencer.
- Manipulez les pièces avec précaution pour éviter de rayer la peinture.
- Posez les vis à côté des pièces auxquelles elles correspondent pour éviter de les égarer.
- Aménagez un espace qui ne présente aucun risque de rayure pour la porte.

IMPORTANT : Une fois l'inversion commencée, ne déplacez pas la caisse jusqu'à ce que l'inversion soit terminée.

Ces instructions indiquent comment inverser les charnières de la droite vers la gauche. Si vous souhaitez remettre les charnières du côté droit, suivez les mêmes instructions en inversant toutes les références faites aux côtés droit et gauche.



Risque lié au levage

Les portes des compartiments de réfrigération et de congélation sont lourdes. Utilisez vos deux mains pour les soulever.

OUTILS NÉCESSAIRES

Outils nécessaires



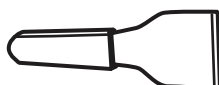
Tournevis Phillips



Ruban-cache



Tournevis à douille à tête hexagonale de 3/8 po



Couteau à mastic ou tournevis à lame fine



Clé anglaise de 7/16 po (en option)



Clé hexagonale (pour les modèles à poignées en acier inoxydable)

1 AVANT DE COMMENCER

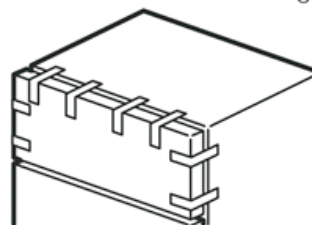
- 1.1 Débranchez le réfrigérateur de la prise murale.
- 1.2 Videz tous les balconnets de la porte, y compris le compartiment pour produits laitiers.

ATTENTION : Ne laissez pas la porte tomber sur le sol. Cela pourrait endommager la butée de la porte.

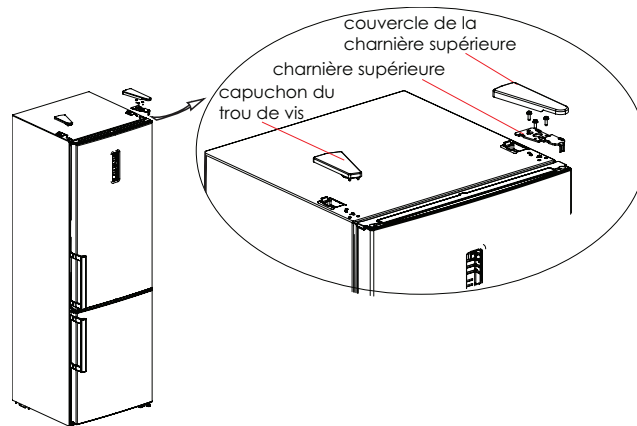
2 AVANT DE COMMENCER

- 2.1 Retirez tous les aliments des bacs situés à l'intérieur de la porte.

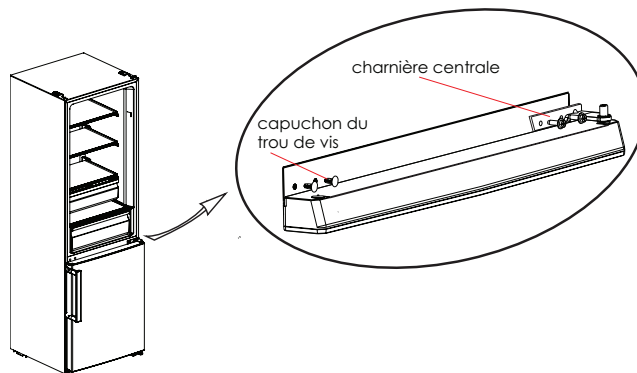
Immobilisez la porte en position fermée au moyen de ruban-cache.



- 2.2 Enlevez le couvercle de la charnière supérieure, la charnière supérieure et le capuchon du trou de vis.

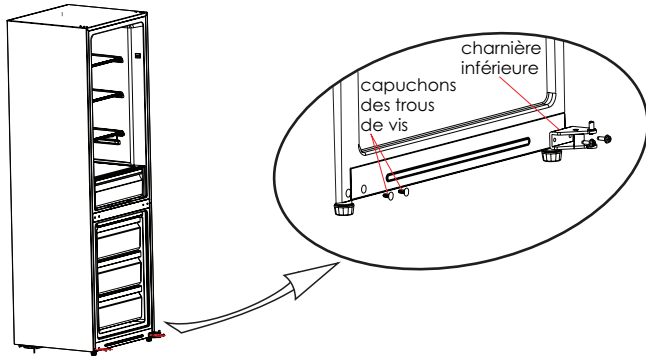


- 2.3 Retirez le conducteur du signal d'alarme de la porte. Enlevez la porte du compartiment réfrigérateur ainsi que la charnière centrale et le capuchon du trou de vis.

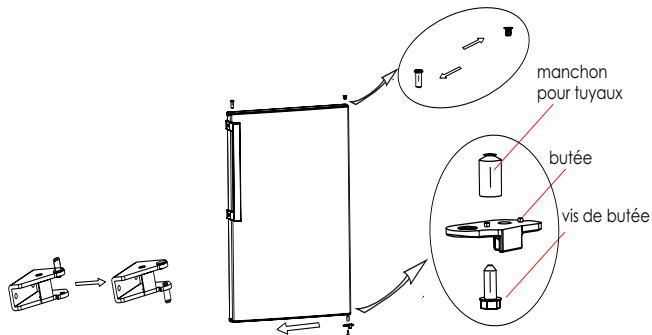


Instructions d'installation

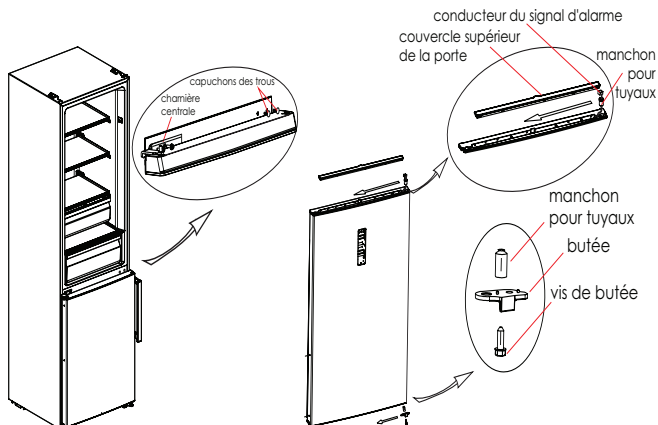
- 2.4** Enlevez la porte du compartiment congélateur, démontez la charnière inférieure et retirez les capuchons des trous de vis.



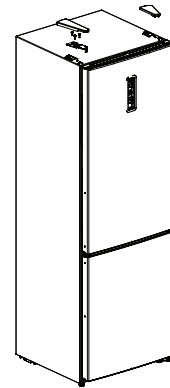
- 2.5** Installez le manchon de la charnière inférieure et la charnière inférieure de l'autre côté.
Retirez la butée inférieure de la porte du compartiment congélateur et installez-la de l'autre côté de l'appareil.
Retirez le manchon pour tuyaux et les capuchons des trous de vis de la porte du compartiment congélateur et installez-les de l'autre côté de l'appareil.



- 2.6** Placez la porte du compartiment congélateur sur la charnière inférieure et fixez la charnière centrale et les capuchons des trous de vis centraux.
Retirez le couvercle supérieur de la porte du compartiment congélateur, puis installez le manchon pour tuyaux de la charnière supérieure et le conducteur du signal d'alarme de l'autre côté.
Retirez la butée inférieure de la porte, le manchon pour tuyaux du compartiment réfrigérateur et installez-les de l'autre côté.



- 2.7** Placez la porte du compartiment réfrigérateur sur la charnière centrale et fixez la charnière supérieure; installez le couvercle de la charnière supérieure et le capuchon du trou.
Pour l'assemblage de la poignée, veuillez vous référer au chapitre 2.2.



Bruits de fonctionnement normaux.



Les nouveaux réfrigérateurs produisent des bruits différents de ceux des anciens réfrigérateurs. Les réfrigérateurs modernes disposent de plus de fonctions et utilisent une technologie plus récente.

Entendez-vous ce que j'entends? Ces bruits sont tout à fait normaux.

BOURDONNEMENTS...

APPELS D'AIR...

- Le nouveau compresseur à haute efficacité peut fonctionner plus rapidement et plus longtemps que celui de votre ancien réfrigérateur. Il se peut que vous entendiez un bourdonnement aigu ou un son modulé lors de son fonctionnement.
- Il se peut que vous entendiez un bruit d'appel d'air lorsque vous fermez les portes. Cela est dû à la stabilisation de la pression à l'intérieur du réfrigérateur.

WHIR!



- Il se peut que vous entendiez les ventilateurs tourner très rapidement. Cela se produit lorsque le réfrigérateur est branché pour la première fois, que les portes sont fréquemment ouvertes ou qu'une grande quantité d'aliments est ajoutée dans le réfrigérateur ou le congélateur. Les ventilateurs aident au bon maintien des températures.

CLIQETIS, CLAQUEMENTS, CRAQUEMENTS et SIFFLEMENTS

- Il se peut que vous entendiez des craquements ou des claquements lorsque vous branchez le réfrigérateur pour la première fois. Cela se produit lorsque le réfrigérateur refroidit pour atteindre la température adéquate.
- Le compresseur peut être à l'origine de cliquetis ou de sifflements lorsqu'il essaie de redémarrer (cela peut prendre jusqu'à 5 minutes).
- L'expansion et la contraction des serpentins de refroidissement pendant et après le dégivrage peuvent engendrer des craquements ou des claquements.
- Sur les modèles dotés d'une machine à glaçons, il se peut qu'après un cycle de production, vous entendiez le bruit des glaçons tombant dans le bac à glaçons.

BRUITS D'EAU



- Le flux du frigorigène à travers les serpentins de refroidissement peut produire un bruit de glouglou qui ressemble à de l'eau qui bout.
- De l'eau qui tombe sur l'élément chauffant de dégivrage peut être à l'origine de grésillements ou de bourdonnements durant le dégivrage.
- Il se peut que vous entendiez un bruit de goutte à goutte pendant le dégivrage, lorsque la glace sur l'évaporateur fond et s'écoule dans le plateau de dégivrage.
- La fermeture de la porte peut causer un bruit de glouglou dû à la stabilisation de la pression.



Conseils de dépannage

Économisez du temps et de l'argent! Reportez-vous au tableau suivant pour éviter tout appel de service qui ne serait pas nécessaire.

Problème	Causes possibles	Solutions
Le réfrigérateur ne fonctionne pas	Le réfrigérateur est en cours de dégivrage.	Attendez environ 30 minutes pour que le dégivrage se termine.
	Le réfrigérateur est débranché.	Insérez complètement la fiche dans la prise.
	Le fusible est grillé/le disjoncteur s'est déclenché.	Remplacez le fusible ou réenclenchez le disjoncteur.
Vibration ou bruit de cliquetis (une légère vibration est normale)	Les pieds de mise à niveau avant doivent être ajustés.	Voir <i>Pieds de mise à niveau</i> .
Le moteur fonctionne pendant des périodes prolongées ou s'arrête et démarre fréquemment (Les réfrigérateurs modernes avec plus d'espace de rangement et un congélateur plus grand nécessitent un fonctionnement plus long. Ils se mettent en marche et s'arrêtent régulièrement pour maintenir des températures uniformes)	Cela est normal lors du branchement initial du réfrigérateur.	Attendez 24 heures que le réfrigérateur se refroidisse entièrement.
	Cela se produit souvent lorsque de grandes quantités d'aliments sont placées dans le réfrigérateur.	Cela est normal.
	La porte est restée ouverte.	Vérifiez si un emballage empêche la fermeture de la porte.
	Température ambiante élevée ou ouvertures fréquentes de la porte.	Cela est normal.
	La commande de température est placée au réglage le plus froid.	Voir <i>À propos des commandes du réfrigérateur</i>
Le compartiment réfrigérateur ou congélateur est trop chaud	La commande de température n'a pas été placée à un réglage suffisamment froid.	Voir <i>À propos des commandes du réfrigérateur</i>
	Température ambiante élevée ou ouvertures fréquentes de la porte.	Ajustez la commande de la température à un réglage plus froid.
	La porte est restée ouverte.	Vérifiez si un emballage empêche la fermeture de la porte.
Givre ou cristaux de glace sur les aliments congelés (la présence de givre dans les emballages est normale)	La porte est restée ouverte.	Vérifiez si un emballage empêche la fermeture de la porte.
	Ouvertures de porte trop fréquentes ou trop longues.	
Les glaçons ont une odeur ou un goût désagréable	Des aliments transmettent leur odeur/goût aux glaçons.	Emballez bien les aliments.
	L'intérieur du réfrigérateur doit être nettoyé.	Voir la section <i>Entretien et nettoyage</i> .
Les glaçons gèlent lentement	La porte est restée ouverte.	Vérifiez si un emballage empêche la fermeture de la porte.
	La commande de température n'a pas été placée à un réglage suffisamment froid.	Voir la section <i>À propos des fonctions du réfrigérateur</i> .
Le réfrigérateur dégage de mauvaises odeurs	Des aliments transmettent une odeur au réfrigérateur.	Les aliments qui dégagent une forte odeur doivent être bien emballés. Gardez une boîte de bicarbonate de soude ouverte dans le réfrigérateur et remplacez-la tous les trois mois.
	L'intérieur doit être nettoyé.	Voir la section <i>Entretien et nettoyage</i> .
De l'humidité se forme sur l'extérieur du réfrigérateur	Cela n'est pas anormal lors des périodes de grande humidité.	Asséchez la surface en l'essuyant.
De l'humidité s'accumule à l'intérieur (lorsque la température est humide, l'air transporte l'humidité dans le réfrigérateur lorsque les portes sont ouvertes)	Ouvertures de porte trop fréquentes ou trop longues.	

Avant de contacter un service de dépannage...



Conseils de dépannage

Économisez du temps et de l'argent! Reportez-vous au tableau suivant pour éviter tout appel de service qui ne serait pas nécessaire.

Problème	Causes possibles	Solutions
L'éclairage intérieur ne fonctionne pas	Aucune alimentation électrique.	Remplacez le fusible ou réenclenchez le disjoncteur.
	L'ampoule est grillée.	Voir la section <i>Remplacement de l'ampoule</i> .
Les aliments sont gelés dans le réfrigérateur	Les aliments sont placés trop près de la sortie d'air de la paroi arrière du réfrigérateur.	Éloignez les aliments de la sortie d'air.
	Le réfrigérateur a été réglé à une température trop basse.	Augmentez le réglage de la température d'un intervalle à la fois. Voir À propos des commandes du réfrigérateur.
Présence de rouille, de ternissement ou de crasse sur les portes en acier inoxydable	Environnement humide ou air salin.	Nettoyez l'acier inoxydable avec des nettoyants contenant de l'acide oxalique (ex. : Bar Keepers Friend Soft Cleanser) qui permettront d'éliminer la rouille, l'oxyde de calcium et les autres sources de ternissement. N'essuyez pas le réfrigérateur avec un torchon sale ou une serviette humide. N'utilisez pas de tampon à récurer, de poudre nettoyante, d'agent de blanchiment (ou de produit qui en contient) car ils peuvent rayer et endommager le fini brossé de l'acier inoxydable.

Please place in envelope and mail to:
Veuillez mettre dans une enveloppe et envoyez à :

**OWNERSHIP REGISTRATION
P.O. BOX 1780
MISSISSAUGA, ONTARIO
L4Y 4G1**

(FOR CANADIAN CONSUMERS ONLY)



For Canadian
Customers



Pour les
Consommateurs
Canadiens

CUT ALONG THIS LINE AND RETURN CARD — THANKS

OWNERSHIP REGISTRATION CERTIFICATE – FICHE D'INSCRIPTION DU PROPRIÉTAIRE

Please register your product to enable us to contact you in the remote event a safety notice is issued for this product and to allow for efficient communication under the terms of your warranty, should the need arise. Veuillez enregistrer votre produit afin de nous permettre de communiquer avec vous si jamais un avis de sécurité concernant ce produit était émis et de communiquer facilement avec vous en vertu de votre garantie, si le besoin s'en fait sentir.

REGISTER ON-LINE: www.geappliances.ca MAIL TO: **P.O. BOX 1780, MISSISSAUGA**

ENREGISTREMENT SUR INTERNET À : www.electromenagersge.ca POSTER À : **ONTARIO, L4Y 4G1**

MR. / M MRS. / MME. FIRST NAME / PRÉNOM LAST NAME / NOM
 MISS/MILLE. MS.

STREET NO / N° RUE STREET NAME / RUE APT.NO/APP./RR#

CITY / VILLE PROVINCE POSTAL CODE POSTAL

AREA CODE / IND. RÉG. TELEPHONE E-MAIL

DID YOU PURCHASE A SERVICE CONTRACT FOR THIS APPLIANCE? YES/OUI IF YES/SI OUI : EXPIRATION
AVEZ-VOUS ACHÉTÉ UN CONTRAT DE SERVICE POUR CET APPAREIL ? NO/NON Y/A M DU

NAME OF SELLING DEALER / NOM DU MARCHAND MODEL / MODÈLE

INSTALLATION DATE / DATE D'INSTALLATION CORRESPONDENCE ENGLISH
Y/A M DU CORRESPONDANCE FRANÇAIS SERIAL / SÉRIE

I do not wish to receive any promotional offers regarding this product.
Je ne désire pas recevoir d'offres promotionnelles concernant ce produit.

Garantie du réfrigérateur.

electromenagersmoffat.ca

Toutes les réparations sous garantie sont effectuées par nos Centres de réparation ou par nos réparateurs agréés Customer Care®. Pour planifier la visite d'un réparateur, composez le 1-800-561-3344.

Veuillez avoir les numéros de série et de modèle de votre appareil à portée de main lorsque vous appelez pour obtenir un service.

Agrafez votre facture ici.
Une preuve de la date d'achat d'origine est requise pour obtenir des services sous garantie.

Pendant une période de :	MC Commercial Inc. remplacera
Un an À compter de la date d'achat d'origine	Toute pièce du réfrigérateur qui se révèle défectueuse en raison d'un vice de matériau ou de fabrication. Au cours de cette garantie limitée d'un an , MC Commercial Inc. fournira, sans frais , tous les coûts de main-d'œuvre et de service liés au remplacement de la pièce défectueuse.

Ce que MC Commercial Inc. ne couvre pas :

- Toute visite à votre domicile pour vous expliquer le fonctionnement de l'appareil.
- L'installation, la livraison ou l'entretien inappropriés de l'appareil.
- Toute défectuosité du produit lorsqu'il a été utilisé de façon abusive ou inadéquate, ou employé à toute autre fin que celle pour laquelle il a été conçu, ou utilisé à des fins commerciales.
- La perte d'aliments causée par leur détérioration.
- Le remplacement des fusibles ou le réenclenchement des disjoncteurs.
- Tout dommage causé après la livraison.
- Le remplacement de la cartouche du filtre à eau (le cas échéant) causé par une pression d'eau qui dépasse les limites spécifiées ou un remplacement causé par un excès de sédiments dans l'alimentation en eau.
- Le remplacement des ampoules (le cas échéant) ou de la cartouche du filtre à eau (le cas échéant) pour une autre raison que celles citées ci-dessus.
- Tout dommage au produit attribuable à un accident, à un incendie, à une inondation ou à une catastrophe naturelle.
- Tout dommage accessoire ou indirect, causé par des défaillances possibles de l'appareil.
- Tout produit auquel il n'est pas possible d'accéder pour effectuer les réparations nécessaires.

EXCLUSION DES GARANTIES IMPLICITES : Votre seul et unique recours est de faire réparer le produit dans le cadre de cette garantie limitée. Toute garantie implicite, incluant la garantie de qualité marchande ou d'aptitude du produit à un usage particulier, est limitée à un an ou à la période la plus courte autorisée par la loi.

Cette garantie est offerte à l'acheteur initial, ainsi qu'à tout propriétaire subséquent d'un produit acheté au Canada en vue d'une utilisation domestique au Canada.

Le service à domicile couvert par la garantie sera fourni dans les régions où il est disponible et où MC Commercial Inc. estime raisonnable de l'offrir.

Garant : MC Commercial Inc., Burlington, Ontario, L7R 5B6

Service à la clientèle.



Demande de réparation

Le service d'un réparateur expert n'est qu'à un pas de chez vous.
Téléphonez au 1-800-561-3344 durant les heures normales de bureau.



Centre de conception universelle

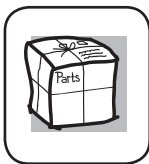
Nous soutenons la conception universelle : produits, services et environnements à la portée de tous, quels que soient leur âge, taille ou capacités mentales et physiques. Nous avons conscience qu'il est nécessaire d'adapter nos produits à toute la variété de capacités et de handicaps physiques et mentaux existants. Pour plus de détails sur les applications de conception universelle, dont la conception de cuisines pour les personnes atteintes d'un handicap, consultez notre site Web dès aujourd'hui.

Pour nous écrire : Directeur, relations-clients, MC Commercial Inc.
Bureau 310, 1 Factory Lane
Moncton (Nouveau-Brunswick) E1C 9M3



Garanties prolongées

Veuillez consulter la liste des fournisseurs de votre région pour profiter des garanties prolongées.



Pièces et accessoires

Consultez les pages jaunes pour connaître le distributeur de pièces autorisé le plus près de chez vous ou téléphonez au 1-800-661-1616.

Les directives fournies dans le présent manuel comportent des procédures que n'importe quel utilisateur peut effectuer.

Les autres types de réparation doivent généralement être confiés à un technicien qualifié. Faites preuve de prudence : une réparation ou un entretien mal effectué peut rendre l'utilisation de l'appareil dangereuse.



Contactez-nous

Si vous n'êtes pas satisfait du service après-vente que vous recevez, communiquez avec nous sur notre site Web en fournissant tous les détails et votre numéro de téléphone ou écrivez à :

Directeur, relations-clients, MC Commercial Inc.
Bureau 310, 1 Factory Lane
Moncton (Nouveau-Brunswick) E1C 9M3



Enregistrez votre appareil

electromenagersmoffat.ca

Enregistrez votre nouvel appareil en ligne au moment qui vous convient le mieux! L'enregistrement de votre produit dans les délais prescrits permet une meilleure communication et un service rapide, selon les modalités de votre garantie, si besoin est.

Vous pouvez également envoyer par courrier la carte d'enregistrement préimprimée qui se trouve dans l'emballage de votre appareil.