

Top Freezer Refrigerator

moffatappliances.ca

Safety Instructions 2, 3

Operating Instructions

Control Settings 4
Storage Drawers 4
Ice Service 5
Care and Cleaning 6, 7

Installation Instructions

Advanced Planning 8
Refrigerator Features 9
Reversing the Door Swing 10-13

Troubleshooting Tips

Normal Operating Sounds 14
Problem Solver 15, 16

Consumer Support

Product Registration 17
Warranty 19
Consumer Support 20

**Owner's Manual and
Installation Instructions**

MTE18

Congélateur supérieur
Réfrigérateurs

**Manuel d'utilisation
et d'installation**

La section française commence à la page 21

*Write the model and serial
numbers here:*

Model # _____

Serial # _____

You can find them on a label inside
the refrigerator.

IMPORTANT SAFETY INFORMATION. READ ALL INSTRUCTIONS BEFORE USING.


IMPORTANT SAFETY INFORMATION READ ALL INSTRUCTIONS BEFORE USING



Moffat Appliances website


For more information on your refrigerator's operation, visit www.moffatappliances.ca or call 800.561.3344

REFRIGERATOR SAFETY INFORMATION


 This is the safety alert symbol. This symbol alerts you to potential hazards that can kill or hurt you and others. All safety messages will follow the safety alert symbol and the word "DANGER", "WARNING", or "CAUTION". These words are defined as:

 **DANGER** Indicates a hazardous situation which, if not avoided, **will** result in death or serious injury.

 **WARNING** Indicates a hazardous situation which, if not avoided, **could** result in death or serious injury.

 **CAUTION** Indicates a hazardous situation which, if not avoided, **could** result in minor or moderate injury.

IMPORTANT SAFETY INSTRUCTIONS

 **WARNING** To reduce the risk of fire, explosion, electric shock, or injury when using your refrigerator follow these basic safety precautions:

- This refrigerator must be properly installed and located in accordance with the Installation Instructions before it is used.
- Do not allow children to climb, stand or hang on the shelves in the refrigerator. They could damage the refrigerator and seriously injure themselves.
- Do not touch the cold surfaces in the freezer compartment, particularly when hands are damp or wet. Skin may stick to these extremely cold surfaces.
- Do not store or use gasoline or other flammable vapors and liquids in the vicinity of this or any other appliance.
- In refrigerators with automatic ice makers, avoid contact with the moving parts of the ejector mechanism, or with the heating element that releases the cubes. Do not place fingers or hands on the automatic ice making mechanism while the refrigerator is plugged in.
- Keep fingers out of the "pinch point" areas; clearances between the doors and between the doors and cabinet are necessarily small. Be careful closing doors when children are in the area.
- Unplug the refrigerator before cleaning and making repairs.
NOTE: We strongly recommend that any servicing be performed by a qualified individual.
- Turning the control to the **COLD** position does not remove power to the light circuit.
- Do not refreeze frozen foods which have thawed completely.
- **Before replacing a burned-out light bulb, the refrigerator should be unplugged** in order to avoid contact with a live wire filament. (A burned-out light bulb may break when being replaced.)

IMPORTANT SAFETY INFORMATION. READ ALL INSTRUCTIONS BEFORE USING.

moftatappliances.ca

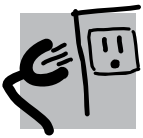
WARNING **Explosion Hazard.**

Keep flammable materials and vapors, such as gasoline, away from refrigerator. Failure to do so can result in fire, explosion, or death.

CONNECTING ELECTRICITY

WARNING **Electrical Shock Hazard.**

Plug into a grounded 3-prong outlet
Do not remove the ground prong
Do not use an adapter
Failure to follow these instructions can result in death, fire, or electrical shock.



Do not, under any circumstances, cut or remove the third (ground) prong from the power cord. For personal safety, this appliance must be properly grounded.

The power cord of this appliance is equipped with a 3-prong (grounding) plug which mates with a standard 3-prong (grounding) wall outlet to minimize the possibility of electric shock hazard from this appliance.

Have the wall outlet and circuit checked by a qualified electrician to make sure the outlet is properly grounded.

Where a standard 2-prong wall outlet is encountered, it is your personal responsibility and obligation to have it replaced with a properly grounded 3-prong wall outlet. Do not use an adapter.

The refrigerator should always be plugged into its own individual electrical outlet which has a voltage rating that matches the rating plate.

This provides the best performance and also prevents overloading house wiring circuits which could cause a fire hazard from overheated wires.

Never unplug your refrigerator by pulling on the power cord. Always grip plug firmly and pull straight out from the outlet.

Repair or replace immediately all power cords that have become frayed or otherwise damaged. Do not use a cord that shows cracks or abrasion damage along its length or at either end.

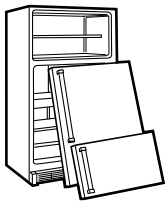
When moving the refrigerator away from the wall, be careful not to roll over or damage the power cord.

PROPER DISPOSAL OF YOUR OLD REFRIGERATOR

WARNING **Suffocation and child entrapment hazard.**

Remove fresh-food and freezer doors from the refrigerator, prior to disposal. Failure to do so can result in child entrapment which can lead to death or brain damage.

IMPORTANT:



Child entrapment and suffocation are not problems of the past. Junked or abandoned refrigerators are still dangerous even if they will sit for "just a few days." If you are getting rid of your old refrigerator, please follow the instructions below to help prevent accidents.

Before You Throw Away Your Old Refrigerator or Freezer:

- Take off the fresh food and freezer doors.
- Leave the shelves in place so that children may not easily climb inside.

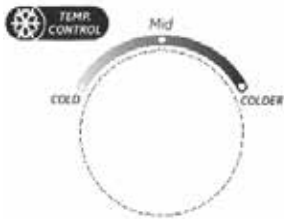
Refrigerants

All refrigeration products contain refrigerants, which under federal law must be removed prior to product disposal. If you are getting rid of an old refrigeration product, check with the company handling the disposal about what to do.



**READ AND FOLLOW THIS SAFETY INFORMATION CAREFULLY.
SAVE THESE INSTRUCTIONS**

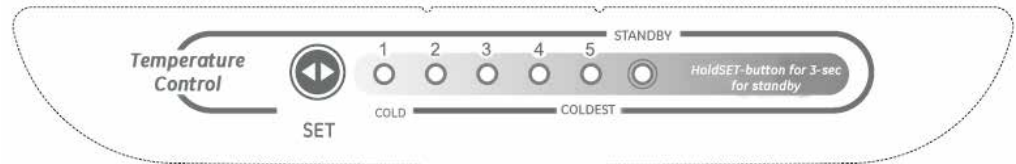
About the control on the refrigerator.



Freezer Temp Control

Min is Cold
Middle is Normal
Max is Coldest

There is a temperature control in the fresh food compartment as well as the freezer compartment. Initially set the control to the recommended normal settings in the fresh food and freezer compartments. Allow 24 hours for the temperature to stabilize.



Fresh Food Temp Control

1 is cold
5 is coldest

Control Settings

Refrigerator Control

When first powered all lights are illuminated for 3 seconds. The factory setting 3 is displayed after 3 seconds. Change setting by pressing SET key, each time you press it will advance by 1. Press until the desired setting is achieved. Adjust controls one increment at a time to determine your preferred setting. Allow 12 hours after each adjustment for the refrigerator reach the temperature you have set. Setting 1 is the warmest 5 is the coldest.

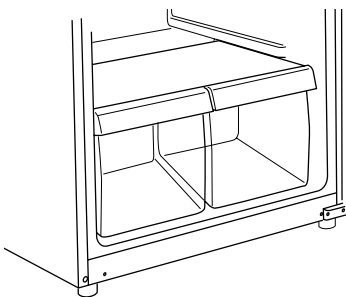
Standby Mode

When the refrigerator is in ON, Press SET for 3 seconds the refrigerator will go into standby mode, the standby indicator light will be on. Standby setting will stop cooling in both the refrigerator and freezer compartments but does not shut off electrical power to the refrigerator. Revert to normal operation by pressing the SET button, the standby light will go off, it will go back to the last setting.

After each adjustment, check both the freezer and the fresh food compartments. Changing the fresh food control will affect the temperature of the freezer compartment. Likewise, changing the freezer control can affect the temperature of the fresh food compartment.

Control settings will vary based on personal preferences, usage and operating conditions and may require more than one adjustment. Factors that affect temperature include the amount of food in the fresh food and freezer compartments, frequency of door opening, and temperature of food when placed in either compartment.

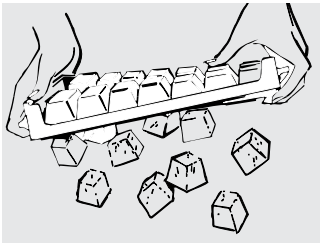
About the storage drawers.



Fruit and Vegetable Drawers

These storage drawers provide space to store fruits, vegetables and meats.

To remove and replace the drawers and the cover above them, the door must be fully opened. In some installations, the refrigerator may have to be moved away from the wall for the door to be fully opened.



Ice Trays

To make ice, fill the ice tray with water and set it on a level surface in the freezer compartment. Ice cubes will form in a few hours.

To release ice cubes, turn the tray upside down, hold it over a container and twist both ends.

For only one or two ice cubes, leave the tray right-side up, twist both ends slightly and remove as many cubes as you want.

Wash ice trays in lukewarm water only—do not put them in an automatic dishwasher.

Care and cleaning of the refrigerator.

Cleaning the Outside

Keep the outside clean. Wipe with a clean cloth lightly dampened with mild liquid dish detergent. Dry with a clean, soft cloth.

Do not wipe the stainless steel door with a soiled dishcloth or wet towel. These may leave a residue that can erode the finish. Do not use scouring pads, powdered cleaners, bleach or cleaners containing bleach because these products can scratch and weaken the finish. Use only a liquid cleanser free of grit and rub in the direction of the brush lines.

The stainless steel door and door handle can be cleaned with a commercially available stainless steel cleaner. Cleaners with oxalic acid (e.g. Bar Keepers Friend Soft Cleanser) will remove rust, lime, and other tarnish. Do not use appliance wax or polish on the stainless steel.

Protect the paint finish. The finish on the outside of the refrigerator is a high quality, baked-on paint finish. With proper care, it will stay new-looking and rust free for years. Apply a coat of kitchen/appliance wax when the refrigerator is new, and then at least twice a year.

Cleaning the Inside

To help prevent odors, leave an open box of baking soda in the fresh food and freezer compartments.

Unplug the refrigerator before cleaning.

If this is not practical, wring excess moisture out of sponge or cloth when cleaning around switches, lights or controls.

Use warm water and baking soda solution—about a tablespoon (15 ml) of baking soda to a quart (1 liter) of water. This both cleans and neutralizes odors. Rinse and wipe dry.

Other parts of the refrigerator—including door gaskets, fruit and vegetable drawers, and all plastic parts—can be cleaned the same way.

After cleaning the door gaskets, apply a thin layer of petroleum jelly to the door gaskets at the hinge side. This helps keep the gaskets from sticking and bending out of shape. Do not use cleansing powders or other abrasive cleaners.

Do not wash any plastic refrigerator parts in the dishwasher.

Avoid cleaning cold glass shelves (on some models) with hot water because the extreme temperature difference may cause them to break. Handle glass shelves carefully. Bumping tempered glass can cause it to shatter.

Replacing the Light Bulb

! WARNING: Light bulb may be hot. Before replacing a burned-out light bulb, the refrigerator should be unplugged in order to avoid contact with a live wire filament (A burned-out light bulb may break when being replaced.) Turning the control to the OFF position does not remove power to the light circuit. Maximum bulb wattage: 40W

- 1 Unplug the refrigerator
- 2 The bulb is located at the top of the refrigerator compartment. Unfasten screw to remove light cover.
- 3 Replace bulb with a new one of the same or lower wattage
- 4 Reattach light cover using screw

- 5 Plug the refrigerator back in

CAUTION

Using a bulb rated higher than 40W may damage the control housing and light lens.

Preparing for Vacation

For long vacations or absences, remove food and unplug the refrigerator. Clean the interior with a baking soda solution of one tablespoon (15 ml) of baking soda to one quart (1 liter) of water. Leave the doors open.

Preparing to Move

Remove food and unplug the refrigerator. Secure all loose items such as shelves and drawers by taping them securely in place to prevent damage.

Be sure the refrigerator stays in an upright position during moving.

Installation Instructions

Refrigerator

Models MTS18

*If you have questions, call 1.800.561.3344 or Visit our Website at:
www.moffatappliances.ca*

BEFORE YOU BEGIN

Read these instructions completely and carefully.

- **IMPORTANT** – Save these instructions for local inspector's use.
- **IMPORTANT** – Observe all governing codes and ordinances.
- **Note to Installer** – Be sure to leave these instructions with the Consumer.
- **Note to Consumer** – Keep these instructions for future reference.
- Skill level – Installation of this appliance requires basic mechanical skills.
- Completion time – Refrigerator Installation
15 minutes
- Proper installation is the responsibility of the installer.
- Product failure due to improper installation is not covered under the Warranty.

LOCATION REQUIREMENTS

- Do not install the refrigerator where the temperature will go below 55°F (13°C) because it will not run often enough to maintain proper temperatures.
- Install it on a floor strong enough to support it fully loaded.

CLEARANCES

- Free-standing installation only.
- If the refrigerator is being installed next to a wall, leave sufficient space on the hinge side to allow the door to swing open enough to access the clear bins in the refrigerator compartment.
- Do not install within 5" (13 cm) of the range.
- Minimum Clearances:

Back	2" from wall
Sides	3/4"
Top	3/4"

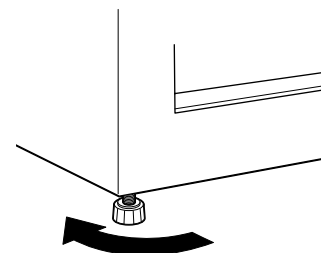
UNPACKING YOUR REFRIGERATOR

- Remove tape and any labels (except for the rating label) from your refrigerator. Tape or glue residue can also be removed by rubbing a small amount of liquid dish soap over the adhesive with your fingers. Wipe with warm water and dry.
- Do not use sharp instruments, rubbing alcohol, flammable fluids, or abrasive cleaners to remove tape or glue. These products can damage the surface of your refrigerator.
- When moving the refrigerator, do not tilt the refrigerator beyond 45° from upright position.

LEVELING LEGS

Adjustable legs at the front corners of the refrigerator should be set so the refrigerator is firmly positioned on the floor, and the front is raised just enough that the door closes easily when opened about halfway.

To adjust the leveling legs, turn the legs clockwise to raise the refrigerator, counterclockwise to lower it.



To raise the refrigerator

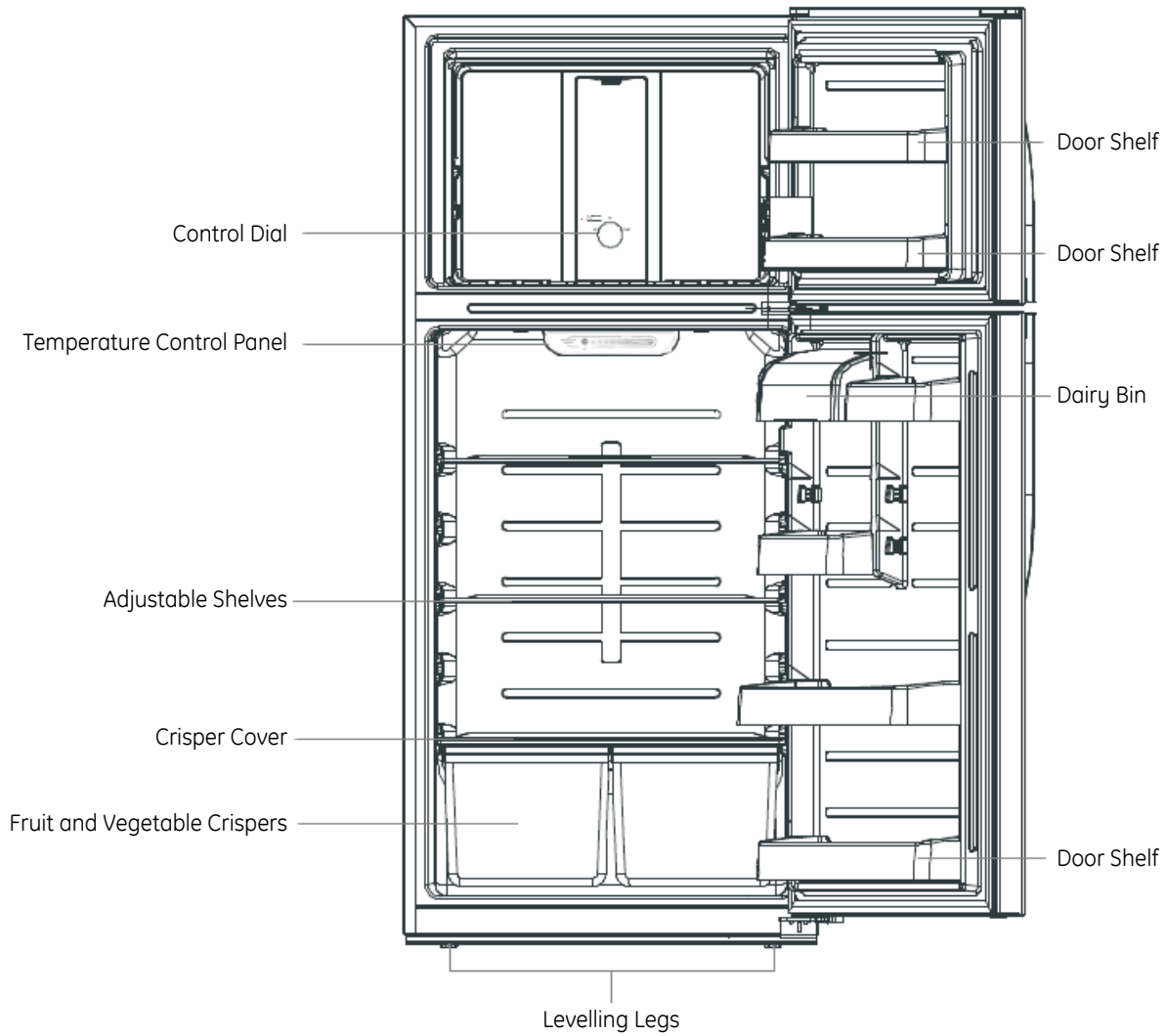
POWER CORD

- Plug the refrigerator power cord into its own properly grounded wall outlet with a voltage rating matching that on the refrigerator rating plate.
- Do not use an extension cord.
- Read all safety precautions on pages 2 and 3.

1" = 2.5 cm; 1' = 0.3 m

Installation Instructions

REFRIGERATOR FEATURES (appearance and features may vary)



* All images in this instruction manual are for indication only; please refer to your individual unit for details.

Installation Instructions

REVERSING THE DOOR SWING

IMPORTANT NOTES

When reversing the door swing:

- Read the instructions all the way through before starting.
- Handle parts carefully to avoid scratching paint.
- Set screws down by their related parts to avoid using them in the wrong places.
- Provide a non-scratching work surface for the doors.

IMPORTANT: Once you begin, do not move the cabinet until door-swing reversal is completed.

These instructions are for changing the hinges from the right side to the left side—if you ever want to change the hinges back to the right side, follow these same instructions and reverse all references to left and right.

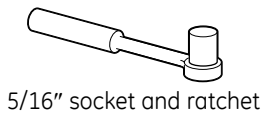
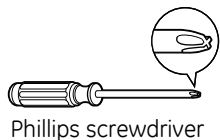
Unplug the refrigerator from its electrical outlet.

NOTE: Do not let either door drop to the floor. To do so could damage the door stop.

CAUTION Lifting Hazard

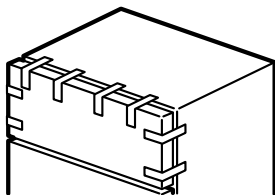
The Fresh Food and Freezer doors are heavy. Use both hands to secure the doors before lifting.

TOOLS YOU WILL NEED



1 REMOVE FREEZER DOOR

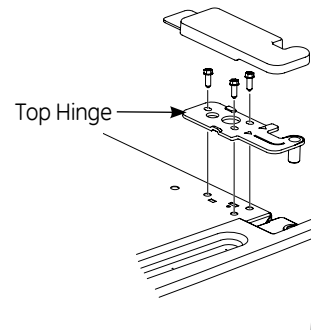
1. Remove all food from the inner door liner..
2. Tape the door shut with masking tape.



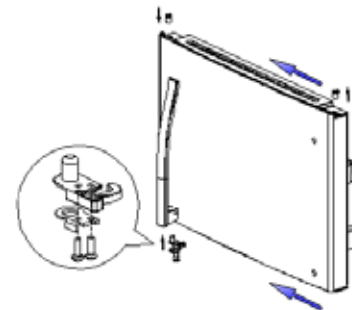
3. Remove the hinge cover on top of the freezer door with a thin-blade screwdriver..

1 REMOVE FREEZER DOOR (CONT.)

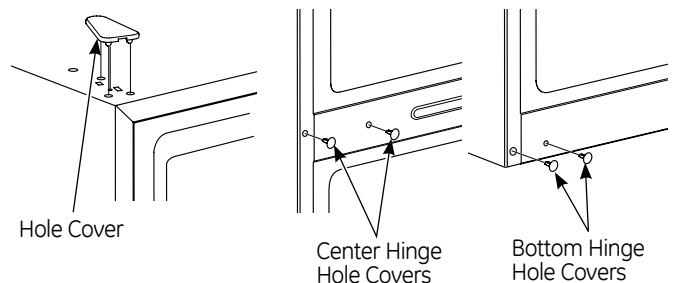
4. Remove the three screws with a 5/16" socket and ratchet, then lift the hinge straight up to free the hinge pin from the socket in the top of the door.



5. Remove the tape and tilt the door away from the cabinet. Lift it off the center hinge pin.
6. Transfer plastic bushing from right side of top of freezer door to the left side.



7. Remove the hole covers with a putty knife on the opposite side of the three hinges.



8. Set the door on a non-scratching surface with the inside up.

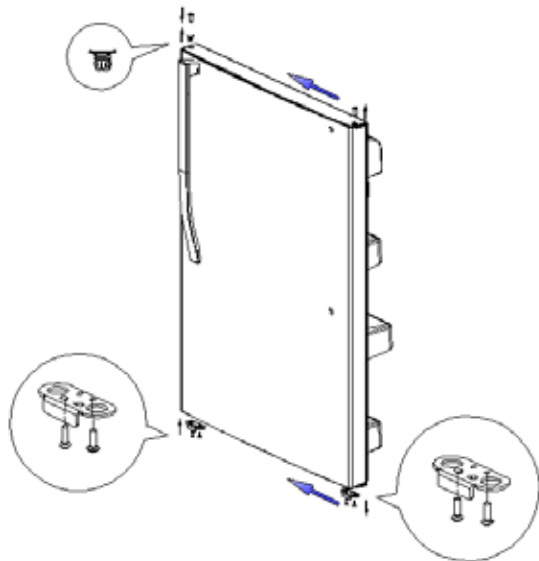
1" = 2.5 cm; 1' = 0.3 m

Installation Instructions

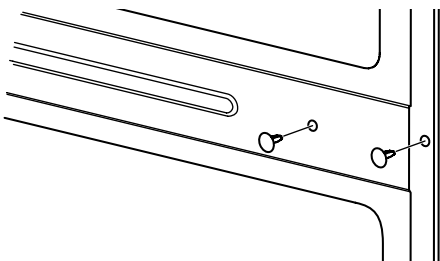
REVERSING THE DOOR SWING (CONT.)

2 REMOVE REFRIGERATOR DOOR

1. Remove all food from the inner door liner.
2. Tape the door shut with masking tape.
3. Remove the center hinge by removing two hinge screws with a 5/16" socket and ratchet. Save the center hinge and screws.
4. Remove the tape and tilt the door away from the cabinet. Lift the door straight up to free its bottom socket from the pin in the bottom hinge bracket.
5. Transfer plastic bushing from right side of top of refrigerator door to the left side.

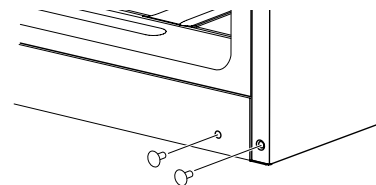
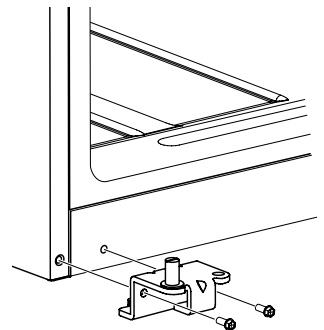
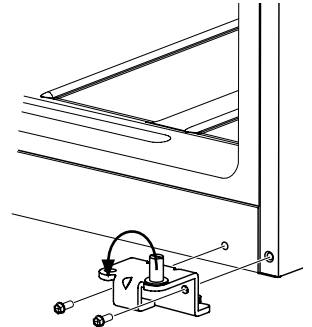


6. Set the door on a non-scratching surface with the inside up.
7. Install the 2 hole plugs from the opposite side of the cabinet to the screw holes vacated by the center hinge removal.



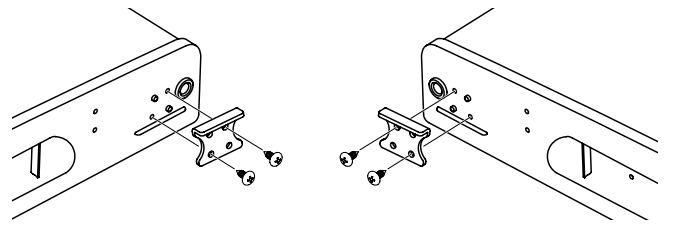
3 TRANSFER BOTTOM HINGE TO THE LEFT

1. Using a 5/16 Socket and ratchet, remove the 2 screws from the bottom hinge.
2. Move the bottom hinge pin from the right to the left side with a thin-blade screwdriver until the shoulder of the hinge pin is touching the hinge.
3. Move the bottom hinge from the right to the left side and tighten the 2 screws.
4. Install the 2 hole plugs from the opposite side of the cabinet to the screw holes vacated by the bottom hinge removal.



4 TRANSFER DOOR STOP TO THE LEFT

1. On both the refrigerator and freezer doors, remove the screws from the door stop on the right with a Phillips screwdriver.
2. Install the door stop on the left of each door.



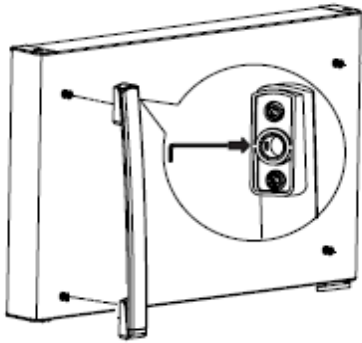
1" = 2.5 cm; 1' = 0.3 m

Installation Instructions

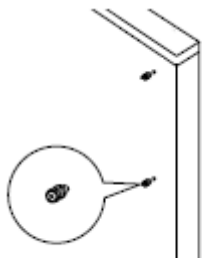
REVERSING THE DOOR SWING (CONT.)

5 REVERSING DOOR HANDLES – TRANSFER FREEZER DOOR HANDLE TO THE LEFT SIDE

1. Loosen the set screws on the handle with 1/8" wrench and remove handle.



2. Remove the fasteners from the surface of the freezer door, and cover the new vacant holes.
3. Remove the plug buttons from the surface of the right side of the refrigerator door and insert the fasteners with a Phillips screwdriver.

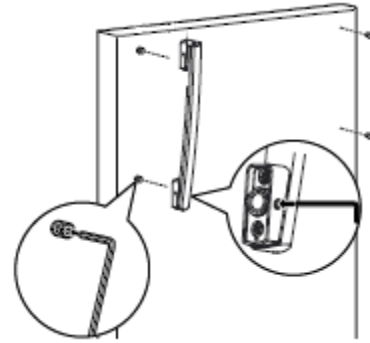


4. Attach handle to freezer door with screws at the top of the handle. Use 1/8" allen wrench to tighten the set screws.

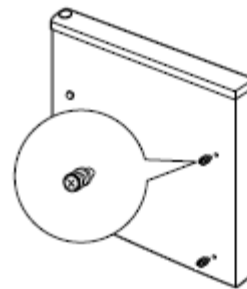
NOTE: Do not over-tighten.

6 REVERSING DOOR HANDLES – TRANSFER REFRIGERATOR DOOR HANDLE TO THE LEFT SIDE

1. Loosen set screws on handle with 1/8" wrench and remove handle.

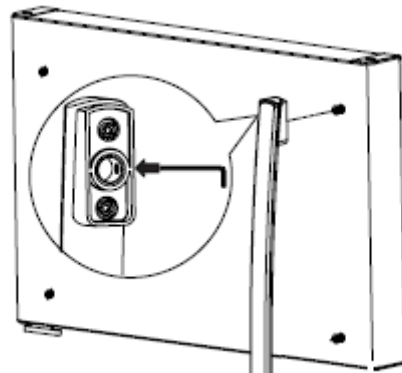


2. Remove the fastener from the surface of the refrigerator door, and cover the new vacant hole with the plug from the opposite side.
3. Insert the fastener into the surface of the right side of the freezer door with a Phillips screwdriver.



4. Attach the handle to the freezer door with set screws. Use 1/8" allen wrench to tighten the set screws.

NOTE: Do not over-tighten.



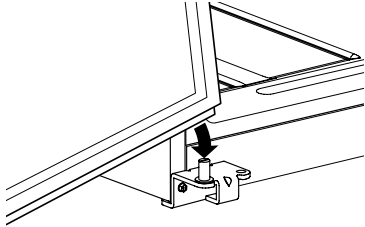
1" = 2.5 cm; 1' = 0.3 m

Installation Instructions

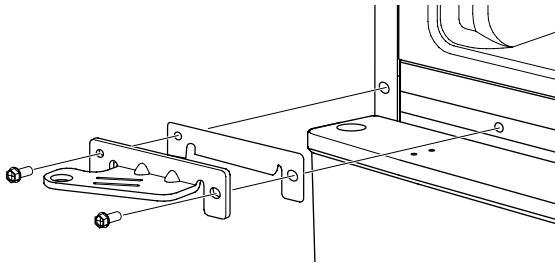
REVERSING THE DOOR SWING (CONT.)

7 REHANG THE REFRIGERATOR DOOR

1. Lower the refrigerator door onto the bottom hinge pin.

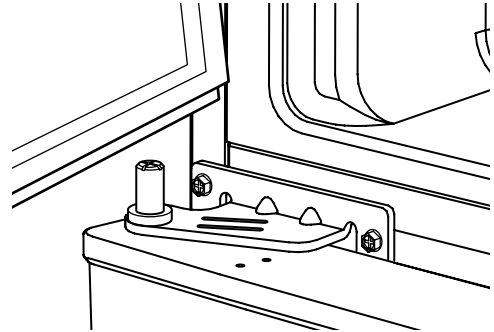


2. While holding the door securely, use the new left-hand middle hinge from the accessory kit insert hinge pin into socket in door. Attach the center hinge with two screws with a 5/16" socket and ratchet.

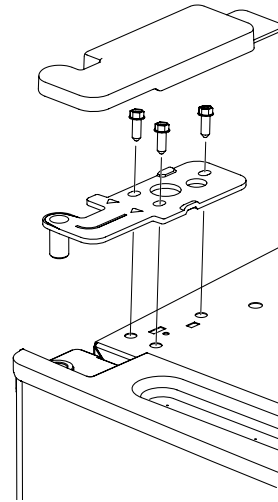


8 REHANG THE FREEZER DOOR

1. Lower the freezer door onto the center hinge pin.



2. Place the left top hinge so the pin fits into the door socket. (Left top hinge and cover can be found inside of the product. Call your Moffat Service provider at 800.561.3344 if parts are missing. Support the door on the handle side and make sure the door is straight and the gap between the doors is even across the front. While holding the door in place, tighten the top hinge screws. Do not overtighten these screws. Tighten them until they are just snug, and then turn them another one-half turn.



3. Snap the left top hinge cover over the hinge.

1" = 2.5 cm; 1' = 0.3 m

Normal operating sounds.



Newer refrigerators sound different from older refrigerators. Modern refrigerators have more features and use newer technology.

Do you hear what I hear? These sounds are normal.

HUMMM... WHOOSH...

- The new high efficiency compressor may run faster and longer than your old refrigerator and you may hear a high-pitched hum or pulsating sound while it is operating.
- You may hear a whooshing sound when the doors close. This is due to pressure equalizing within the refrigerator.



- You may hear the fans spinning at high speeds. This happens when the refrigerator is first plugged in, when the doors are opened frequently or when a large amount of food is added to the refrigerator or freezer compartments. The fans are helping to maintain the correct temperatures.

CLICKS, POPS, CRACKS and CHIRPS

- You may hear cracking or popping sounds when the refrigerator is first plugged in. This happens as the refrigerator cools to the correct temperature.
- The compressor may cause a clicking or chirping sound when attempting to restart (this could take up to 5 minutes).
- Expansion and contraction of cooling coils during and after defrost can cause a cracking or popping sound.
- On models with an ice maker, after an ice making cycle, you may hear the ice cubes dropping into the ice bucket.

WATER SOUNDS



- The flow of refrigerant through the freezer cooling coils may make a gurgling noise like boiling water.
- Water dropping on the defrost heater can cause a sizzling, popping or buzzing sound during the defrost cycle.
- A water dripping noise may occur during the defrost cycle as ice melts from the evaporator and flows into the drain pan.
- Closing the door may cause a gurgling sound due to pressure equalization.

Before you call for service...



*Troubleshooting Tips
Save time and money! Review the charts on the following pages first and you may not need to call for service.*

Problem	Possible Causes	What To Do
Refrigerator does not operate	Refrigerator in defrost cycle.	Wait about 30 minutes for defrost cycle to end.
	Refrigerator is unplugged.	Push the plug completely into the outlet.
	The fuse is blown/circuit breaker is tripped.	Replace fuse or reset the breaker.
Vibration or rattling (slight vibration is normal)	Front leveling legs need adjusting.	See Leveling Legs.
Motor operates for long periods or cycles on and off frequently. (Modern refrigerators with more storage space and a larger freezer require more operating time. They start and stop often to maintain even temperatures.)	Normal when refrigerator is first plugged in.	Wait 24 hours for the refrigerator to completely cool down.
	Often occurs when large amounts of food are placed in refrigerator.	This is normal.
	Door left open.	Check to see if a package is holding door open.
	Hot weather or frequent door openings.	This is normal.
	Temperature control set at the coldest setting.	See About the control.
Fresh food or freezer compartment too warm	Temperature control not set cold enough.	See About the control.
	Warm weather or frequent door openings.	Set the temperature control one step colder. See About the control.
	Door left open.	Check to see if a package is holding door open.
Frost or ice crystals on frozen food (frost within package is normal)	Door left open.	Check to see if a package is holding door open.
	Too frequent or too long door openings.	
Ice cubes have odor/taste	Food transmitting odor/taste to ice cubes.	Wrap foods well.
	Interior of refrigerator needs cleaning.	See Care and cleaning.
Slow ice cube freezing	Door left open.	Check to see if package is holding door open.
	Temperature control not set cold enough.	See About the control.
Refrigerator has odor	Foods transmitting odor to refrigerator.	Foods with strong odors should be tightly wrapped. Keep an open box of baking soda in the refrigerator; replace every three months.
	Interior needs cleaning.	See Care and cleaning.
Moisture forms on outside of refrigerator	Not unusual during periods of high humidity.	Wipe surface dry.
Moisture collects inside (in humid weather, air carries moisture into refrigerator when doors are opened)	Too frequent or too long door openings.	

Before you call for service...



Troubleshooting Tips

Save time and money! Review the charts on the following pages first and you may not need to call for service.

Problem	Possible Causes	What To Do
Interior light does not work	No power at outlet.	Replace fuse or reset the breaker.
	Light bulb burned out.	See <i>Replacing the light bulb.</i>
Food is freezing in the refrigerator	Food too close to the air vent at the back of the refrigerator.	Move the food away from the air vent.
	Refrigerator control is set too cold.	Move the refrigerator control to a warmer temperature setting one increment at a time. See <i>About the controls.</i>
Rust, tarnish, or grime on stainless steel doors	Moist environment or salt air.	Clean stainless steel with cleaners containing oxalic acid (e.g. Bar Keepers Friend Soft Cleanser) will remove rust, lime, and other tarnish. Do not wipe the refrigerator with a soiled dish cloth or wet towel. Do not use scouring pads, powdered cleaners, bleach or cleaners containing bleach because these products can scratch and ruin the brush finish of the stainless steel.

Please place in envelope and mail to:
Veuillez mettre dans une enveloppe et envoyez à :

**OWNERSHIP REGISTRATION
P.O. BOX 1780
MISSISSAUGA, ONTARIO
L4Y 4G1**

(FOR CANADIAN CONSUMERS ONLY)



For Canadian
Customers



Pour les
Consommateurs
Canadiens

CUT ALONG THIS LINE AND RETURN CARD — THANKS

OWNERSHIP REGISTRATION CERTIFICATE – FICHE D'INSCRIPTION DU PROPRIÉTAIRE

Please register your product to enable us to contact you in the remote event a safety notice is issued for this product and to allow for efficient communication under the terms of your warranty, should the need arise.
 Veuillez enregistrer votre produit afin de nous permettre de communiquer avec vous si jamais un avis de sécurité concernant ce produit était émis et de communiquer facilement avec vous en vertu de votre garantie, si le besoin s'en fait sentir.

REGISTER ON-LINE: www.geappliances.ca MAIL TO: **P.O. BOX 1780, MISSISSAUGA**
 ENREGISTREMENT SUR INTERNET À : www.electromenagersge.ca POSTER À : **ONTARIO, L4Y 4G1**

MR. / M MRS. / MME. FIRST NAME / PRÉNOM LAST NAME / NOM
 MISS/Mlle. MS.

STREET NO / N° RUE STREET NAME / RUE APT.NO/APP./RR#

CITY / VILLE PROVINCE POSTAL CODE POSTAL

AREA CODE / IND. REG. TELEPHONE E-MAIL

DID YOU PURCHASE A SERVICE CONTRACT FOR THIS APPLIANCE? YES/OUI IF YES/SI OUI : EXPIRATION
 AVEZ-VOUS ACHÉTÉ UN CONTRAT DE SERVICE POUR CET APPAREIL ? NO/NON Y/A M DU

NAME OF SELLING DEALER / NOM DU MARCHAND MODEL / MODÈLE

INSTALLATION DATE / DATE D'INSTALLATION CORRESPONDENCE ENGLISH
 Y/A M DU CORRESPONDANCE FRANÇAIS SERIAL / SÉRIE

I do not wish to receive any promotional offers regarding this product.
 Je ne désire pas recevoir d'offres promotionnelles concernant ce produit.

Refrigerator Warranty.

All warranty service provided by our Factory Service Centers, or an authorized Customer Care® technician. To schedule service call 1-800-561-3344. Please have serial number and model number available when calling for service.

Staple your receipt here. Proof of the original purchase date is needed to obtain service under the warranty.

For The Period Of: MC Commercial Inc. Will Replace

One Year

From the date of the original purchase

Any part of the refrigerator which fails due to a defect in materials or workmanship.

During this **limited one-year warranty**, MC Commercial Inc. will also provide, **free of charge**, all labor and related service to replace the defective part.

What MC Commercial Inc. Will Not Cover:

- Service trips to your home to teach you how to use the product.
- Improper installation, delivery or maintenance.
- Failure of the product if it is abused, misused, or used for other than the intended purpose or used commercially.
- Loss of food due to spoilage.
- Replacement of house fuses or resetting of circuit breakers.
- Damage caused after delivery.
- Replacement of the water filter cartridge, if included, due to water pressure that is outside the specified operating range or due to excessive sediment in the water supply.
- Replacement of the light bulbs, if included, or water filter cartridge, if included, other than as noted above.
- Damage to the product caused by accident, fire, floods or acts of God.
- Incidental or consequential damage caused by possible defects with this appliance.
- Product not accessible to provide required service.

EXCLUSION OF IMPLIED WARRANTIES-Your sole and exclusive remedy is product repair as provided in this Limited Warranty. Any implied warranties, including the implied warranties of merchantability or fitness for a particular purpose, are limited to one year or the shortest period allowed by law.

This warranty is extended to the original purchaser and any succeeding owner for products purchased in Canada for home use within Canada.

In-home warrant service will be provided in areas where it is available and deemed reasonable by MC Commercial Inc. to provide.

Warrantor: MC Commercial Inc., Burlington, ON L7R 5B6

Consumer Support.



Schedule Service

Expert repair service is only one step away from your door.
Call 1.800.561.3344 during normal business hours.



Real Life Design Studio

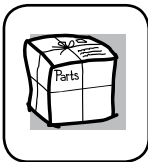
We support Universal Design concept-products, services and environments that can be used by people of all ages, sizes and capabilities. We recognize the need to design for a wide range of physical and mental abilities and impairments. For details of our Universal Design applications, including kitchen design ideas for people with disabilities, check out our Website today.

Write to us: Director, Customer Relations, MC Commercial Inc.
Bureau 310, 1 Factory Lane
Moncton, N.B. E1C 9M3



Extended Warranties

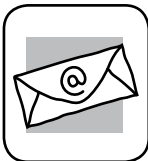
Please consult your local listings for extended warranty suppliers.



Parts and Accessories

Consult the yellow pages for the nearest authorized parts distributor, or call 1.800.661.1616.

Instructions contained in this manual cover procedures to be performed by any user.
Other servicing generally should be referred to qualified service personnel. Caution must be exercised, since improper servicing may cause unsafe operation.



Contact Us

If you are not satisfied with the service you receive, contact us on our Website with all the details including your phone number, or write to:

Director, Customer Relations, MC Commercial Inc.
Bureau 310, 1 Factory Lane
Moncton, N.B. E1C 9M3



Register Your Appliance

moffatappliances.ca

Register your new appliance on-line-at your convenience! Timely product registration will allow for enhanced communication and prompt service under the terms of your warranty, should the need arise.
You may also mail in the pre-printed registration card included in the packing material.

Sécurité..... 22, 23

Utilisation

Réglage des commandes.....24
Bacs de rangement.....24
Production de glace25
Entretien et nettoyage 26, 27

Instructions d'installation

Planification28
Composants du réfrigérateur29
Inversion de la porte30 à 33

Dépannage

Bruits normaux de fonctionnement ...34
Avant d'appeler un réparateur 35, 36

Service à la clientèle

Enregistrement du produit.....37
Garantie39
Soutien au consommateur40

**Écrivez ici le numéro de modèle et le
numéro de série :**

N° de modèle _____

N° de série _____

Vous les trouvez sur une étiquette
dans le coin supérieur gauche du
compartiment réfrigérateur.

INSTRUCTIONS IMPORTANTES DE SÉCURITÉ. LISEZ TOUTES LES INSTRUCTIONS AVANT D'UTILISER VOTRE RÉFRIGÉRATEUR.

INSTRUCTIONS IMPORTANTES DE SÉCURITÉ LISEZ TOUTES LES INSTRUCTIONS AVANT



Site Web des électroménagers Moffat

Pour obtenir de plus amples renseignements sur le fonctionnement de votre réfrigérateur, visitez le www.electromenagersmoffat.ca ou appelez au 1 800 561-3344

CONSIGNES DE SÉCURITÉ POUR LE RÉFRIGÉRATEUR

! Ce symbole représente une alerte de sécurité. Ce symbole vous avise de dangers possibles pouvant causer la mort, des blessures ou autres. Tous les messages de sécurité seront précédés du symbole d'alerte de sécurité ainsi que des mots « DANGER », « AVERTISSEMENT » ou « MISE EN GARDE ». Ces messages sont les suivants :

! DANGER

Signale une situation qui présente un danger imminent et qui, si elle n'est pas évitée, entraînera des blessures graves, voire la mort.

! AVERTISSEMENT

Signale une situation qui présente un danger imminent et qui, si elle n'est pas évitée, peut entraîner des blessures graves, voire la mort.

! MISE EN GARDE

Signale une situation qui présente un danger imminent et qui, si elle n'est pas évitée, peut entraîner des blessures mineures ou graves.

IMPORTANTES CONSIGNES DE SÉCURITÉ

! AVERTISSEMENT

Pour réduire le risque d'incendie, d'explosion, de choc électrique ou de blessures lorsque vous utilisez votre réfrigérateur, veuillez suivre ces consignes de sécurité :

- Vous devez bien installer et placer votre réfrigérateur, conformément aux Instructions d'installation avant de l'utiliser.
- Ne permettez pas aux enfants de grimper, se tenir ou se suspendre aux tablettes du réfrigérateur. Ils pourraient se blesser gravement.
- Ne touchez jamais les surfaces froides dans le compartiment congélation quand vos mains sont humides ou mouillées. Votre peau peut coller à ces surfaces extrêmement froides.
- Ne conservez jamais ou n'utilisez jamais d'essence ou d'autres liquides ou gaz inflammables à proximité de votre réfrigérateur ou de tout autre appareil électroménager.
- Dans les réfrigérateurs qui ont des machines à glaçons, évitez tout contact avec les éléments mobiles du mécanisme d'éjection ou avec l'élément chauffant (situé dans le bas de la machine à glaçons) qui libère les glaçons. Ne mettez jamais vos doigts ou vos mains sur le mécanisme de fabrication automatique de glaçons quand le réfrigérateur est branché.
- Ne laissez jamais vos doigts dans des endroits où ils risquent d'être pincés. L'écartement entre les portes et l'armoire est nécessairement petit. Faites attention de fermer les portes quand des enfants se trouvent à proximité.
- Débranchez votre réfrigérateur avant de le nettoyer et de le réparer.
REMARQUE : Nous vous recommandons fortement de faire accomplir tout service par un technicien qualifié.
- Tourner la commande à la position **COLD** (froid) ne coupe pas l'alimentation au circuit de la lampe.
- Ne recongelez jamais des aliments congelés qui ont complètement dégelé.
- **Le réfrigérateur doit être débranché avant de remplacer l'ampoule** afin d'éviter tout contact avec un fil de câble sous tension.

INSTRUCTIONS IMPORTANTES DE SÉCURITÉ. LISEZ TOUTES LES INSTRUCTIONS AVANT D'UTILISER VOTRE RÉFRIGÉRATEUR.

www.electromenagersmoffat.ca

AVERTISSEMENT Risque d'explosion.

Conservez les matériaux et vapeurs inflammables tels que l'essence à l'écart de votre réfrigérateur. Une explosion, un incendie voire la mort pourrait en résulter.

BRANCHEMENTS ÉLECTRIQUES

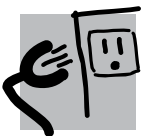
AVERTISSEMENT Risque de choc électrique.

Branchez l'appareil dans une prise triple avec terre.

Ne retirez pas la broche de terre.

N'utilisez pas d'adaptateur.

Le non-respect de ces instructions peut entraîner des risques d'incendies, des chocs électriques ou la mort.



Ne coupez pas ou n'enlevez pas, sous aucun prétexte, la troisième broche de mise à la terre du cordon d'alimentation. Pour des raisons de sécurité, cet appareil doit être correctement mis à la terre.

Le cordon d'alimentation de cet appareil est équipé d'une fiche à trois broches (pour une mise à la terre) qui s'adapte à la prise de courant standard à 3 broches (pour une mise à la terre) pour minimiser les risques de chocs électriques par cet appareil.

Faites vérifier la prise murale et le circuit électrique par un électricien qualifié pour s'assurer que le système est correctement mis à la terre.

Dans le cas d'une prise biphasée, l'installateur a la responsabilité et l'obligation de la remplacer par une prise triphasée correctement mise à la terre. N'utilisez pas d'adaptateur.

Le réfrigérateur doit toujours être branché à sa propre prise électrique d'une tension nominale correspondant à celle indiquée sur sa plaque signalétique.

Le rendement de votre réfrigérateur sera meilleur et vous éviterez ainsi de surcharger les circuits électriques et de surchauffer le câblage de votre maison, et évitez ainsi tout risque d'incendie provoqué par des câbles surchauffés.

Ne débranchez jamais le réfrigérateur en tirant sur le cordon d'alimentation. Prenez toujours fermement la fiche en main et tirez pour la sortir de la prise.

Réparez ou remplacez immédiatement tout cordon électrique usé ou endommagé. N'utilisez pas un cordon fissuré ou présentant des dommages dus aux frottements soit sur sa longueur ou aux extrémités.

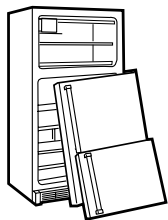
Lorsque vous éloignez votre réfrigérateur du mur, faites attention à ne pas le faire rouler sur le cordon d'alimentation afin de ne pas l'endommager.

MISE AU REBUT APPROPRIÉE DE VOTRE ANCIEN RÉFRIGÉRATEUR

AVERTISSEMENT Un enfant risque de suffoquer ou d'y être emprisonné.

Démontez les portes du compartiment de réfrigération et du compartiment de congélation du réfrigérateur, avant de mettre celui-ci au rebut. Le non-respect de cette recommandation peut entraîner l'enfermement d'un enfant qui peut entraîner la mort ou des lésions cérébrales.

IMPORTANT :



Les enfants pris au piège ou morts d'asphyxie sont toujours d'actualité. Les réfrigérateurs jetés ou abandonnés restent dangereux même si vous ne les laissez au rebut que pour « quelques jours ». Si vous voulez jeter votre ancien réfrigérateur, suivez les instructions suivantes pour empêcher les accidents.

Avant de jeter votre ancien réfrigérateur ou congélateur :

- Démontez les portes du compartiment de réfrigération et du compartiment de congélation.

- Laissez les clayettes en place, pour éviter que des enfants puissent facilement grimper dans votre réfrigérateur.

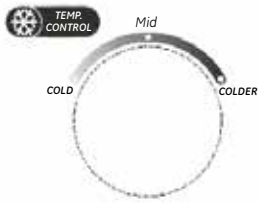
Fluides frigorigènes

Les appareils réfrigérants contiennent des fluides frigorigènes qui conformément à la législation fédérale doivent être retirés avant la mise au rebut de l'appareil. Si vous mettez au rebut un ancien réfrigérateur contenant des fluides frigorigènes, vérifiez la procédure à suivre auprès de la compagnie responsable de l'élimination.



**LISEZ ET SUIVEZ SOIGNEUSEMENT CES MESURES DE SÉCURITÉ.
CONSERVEZ CES INSTRUCTIONS**

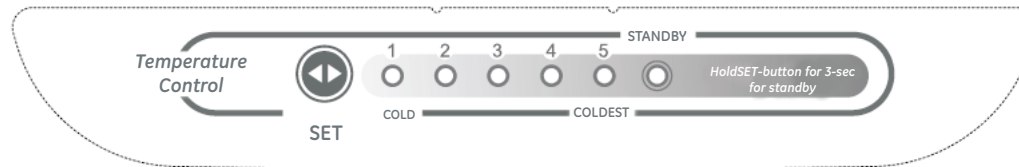
À propos du bouton de commande du réfrigérateur



Commande de température du congélateur

Min correspond à Froid
Middle correspond à Normal
Max correspond à Le plus froid

Une commande de température se trouve dans les compartiments réfrigérateur et congélateur. Au début, réglez les commandes aux valeurs normales recommandées pour les compartiments réfrigérateur et congélateur. Allouez 24 heures pour la stabilisation de la température.



Commande de température du réfrigérateur

1 correspond à Froid
5 correspond à Le plus froid

Réglage des commandes

Commande du réfrigérateur

En mettant l'appareil sous tension pour la première fois, tous les voyants s'allument pendant 3 secondes. Le réglage d'usine 3 s'affiche après 3 secondes.

Vous pouvez changer le réglage en appuyant sur la touche SET (réglage). Chaque fois que vous appuyez sur la touche, le réglage augmente de 1. Appuyez sur la touche jusqu'à ce que le réglage désiré s'affiche. Ajustez les commandes d'un incrément à la fois pour déterminer votre réglage préféré. Attendez 12 heures pour que la température du réfrigérateur atteigne la température que vous avez programmée. Le réglage 1 est le niveau de température le plus chaud alors que le réglage 5 est le niveau le plus froid.

Mode veille

Lorsque le réfrigérateur est en marche (ON), appuyer sur la touche SET (réglage) pendant 3 secondes permet de mettre le réfrigérateur en mode veille (le voyant du mode veille s'allumera). Le réglage en mode veille arrêtera le refroidissement des compartiments réfrigérateur et congélateur, mais ne coupe pas l'alimentation électrique du réfrigérateur.

Pour retourner au fonctionnement normal, appuyez sur la touche SET (réglage). Le voyant de mise en veille s'éteindra et le réfrigérateur retournera au dernier réglage.

Après chaque réglage, vérifiez les deux compartiments, réfrigérateur et congélateur. Une modification de la commande réfrigérateur aura un effet sur la température du compartiment congélateur. L'inverse est aussi vrai, une modification de la commande congélateur aura un effet sur la température du compartiment réfrigérateur.

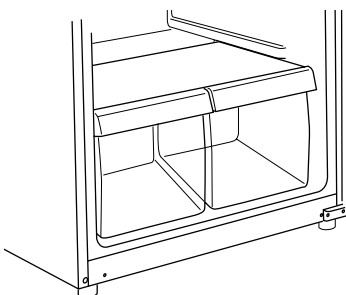
Les réglages vont varier en fonction de vos préférences et des conditions d'utilisation, et ils peuvent nécessiter plus d'un ajustement. Parmi les facteurs qui influencent la température, mentionnons la quantité de nourriture dans les compartiments réfrigérateur et congélateur, la fréquence d'ouverture des portes et la température de l'aliment lorsqu'il est placé dans un des compartiments.

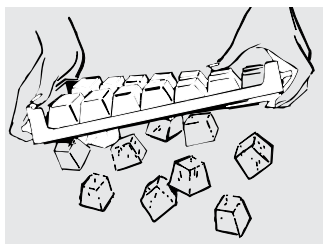
À propos des bacs de rangement

Bacs à légumes et à fruits

Ces bacs de rangement procurent de l'espace pour les fruits, les légumes et la viande.

Pour enlever et replacer les bacs et le couvercle au-dessus d'eux, la porte doit être entièrement ouverte. Dans certaines installations, il peut s'avérer nécessaire d'éloigner le réfrigérateur du mur pour obtenir une ouverture totale de la porte.





Moules à glaçons

Pour produire de la glace, remplissez le moule à glaçons avec de l'eau et placez-le sur une surface de niveau dans le compartiment congélateur. Les cubes de glace se formeront en quelques heures.

Pour libérer les cubes, tournez le moule à l'envers en le maintenant au-dessus d'un récipient et tordez les deux extrémités.

Pour obtenir un ou deux cubes seulement, tenez le moule à l'endroit, tordez-le légèrement et sortez le nombre de glaçons dont vous avez besoin.

Lavez les moules à glaçons avec de l'eau tiède seulement. Ne les placez pas dans un lave-vaisselle automatique.

Entretien et nettoyage de votre réfrigérateur

Nettoyage de l'extérieur

Conservez l'extérieur propre. Essuyez avec un linge propre légèrement humecté de détergent liquide à vaisselle doux. Séchez et polissez avec un linge doux, propre.

N'essuyez pas la porte en acier inoxydable avec un linge à vaisselle souillé ou une serviette mouillée. Ils peuvent laisser un résidu susceptible d'éroder le fini. N'utilisez pas de tampons à récurer, de nettoyeurs en poudre, de javellisants ni de nettoyeurs qui contiennent du javellisant puisque ces produits peuvent rayer et détériorer le fini. Utilisez uniquement un nettoyeur liquide exempt d'abrasif et frottez dans la direction des lignes de brosse.

La porte et la poignée de porte en acier inoxydable peuvent se nettoyer à l'aide d'un nettoyeur pour acier inoxydable offert dans le commerce. Les nettoyeurs à l'acide oxalique (p.ex. le produit Bar Keepers Friend Soft Cleanser) vont enlever la rouille, le calcaire et autres ternissements. N'utilisez pas de cire ou de poli pour électroménagers sur de l'acier inoxydable.

Protection de la peinture de finition.

L'extérieur du réfrigérateur est revêtu d'une peinture de haute qualité cuite au four. Avec un entretien approprié, il gardera son aspect neuf exempt de rouille pendant de nombreuses années. Appliquez une couche de cire pour cuisine/électroménagers à la réception du réfrigérateur, puis au moins deux fois l'an par la suite.

Nettoyage de l'intérieur

Pour aider à empêcher les odeurs, laissez une boîte ouverte de bicarbonate de soude dans les compartiments réfrigération et congélation.

Débranchez votre réfrigérateur avant de le nettoyer.

Si ce n'est pas pratique, enlevez toute humidité au moyen d'une éponge ou d'un chiffon pour nettoyer autour des commutateurs, des lumières ou des réglages.

Utilisez une solution d'eau chaude et de bicarbonate de soude — environ une cuillère à soupe (15 ml) de bicarbonate de soude pour 1 litre (une pinte) d'eau. Cette solution nettoie tout en neutralisant les odeurs. Rincez et séchez en essuyant.

Les autres pièces du réfrigérateur — incluant les joints de porte, les bacs à fruits et légumes et toutes les pièces en plastique — peuvent être nettoyées de la même manière.

Après avoir nettoyé les joints de porte, appliquez une mince couche de vaseline sur les joints du côté charnières afin de les empêcher de coller et de se déformer. N'utilisez pas de nettoyeurs en poudre ni d'autres nettoyeurs abrasifs.

Ne lavez aucune pièce en matière plastique de votre réfrigérateur dans votre lave-vaisselle.

Évitez de nettoyer les clayettes froides en verre (sur certains modèles) à l'eau chaude, parce qu'elles risquent de se casser à cause de la grande différence de températures. Manipulez avec soins le verre. Vous pouvez briser en éclats le verre trempé en le heurtant.

Remplacement de l'ampoule

! AVERTISSEMENT : L'ampoule peut être chaude. Avant de remplacer une ampoule grillée, débranchez le réfrigérateur pour éviter tout contact avec un filament sous tension. (Une ampoule grillée peut se briser lorsqu'on la remplace.)
Tourner le bouton de commande à la position OFF (arrêt) ne coupe pas l'alimentation de l'éclairage.
Puissance maximale de l'ampoule : 40 W

- 1 Débranchez le réfrigérateur.
- 2 L'ampoule est située dans le haut du compartiment réfrigérateur. Dévissez la vis pour retirer le couvercle de la lumière.
- 3 Remplacez l'ampoule par une nouvelle ampoule de puissance identique ou inférieure.
- 4 Remettez en place le couvercle de la lumière en utilisant la vis.

5 Rebranchez le réfrigérateur.

ATTENTION

L'utilisation d'une ampoule d'un calibre supérieur à 40 W risque d'endommager le boîtier de la commande et la lentille de la lampe.

Avant de partir en vacances

Pour de longues vacances ou absences, enlevez tous vos aliments et débranchez votre réfrigérateur. Nettoyez l'intérieur avec une solution d'eau et de bicarbonate de soude, à raison d'une cuillère à soupe (15 ml) de bicarbonate de soude pour 1 litre (une pinte) d'eau. Laissez les portes ouvertes.

Avant un déménagement

Enlevez tous vos aliments et débranchez votre réfrigérateur. Attachez tous les articles mobiles tels que les tablettes et les bacs en les enrubannant en place afin de prévenir les dommages.

Assurez-vous que le réfrigérateur reste en position verticale durant le déménagement.

Instructions d'installation

Réfrigérateur

Modèle MTS18

Si vous avez des questions, composez le 1 800 561-3344 ou consultez notre site Web à www.electromenagersmoffat.ca.

AVANT DE COMMENCER

Veuillez lire toutes les directives attentivement.

- **IMPORTANT** – Conservez ces instructions pour l'inspecteur local.
- **IMPORTANT** – Respectez toutes les ordonnances et les codes locaux.
- **Note à l'installateur** – Assurez-vous de laisser ces instructions au consommateur.
- **Note au consommateur** – Conservez ces instructions pour référence future.
- Niveau de compétence – L'installation de cet appareil nécessite des compétences mécaniques de base.
- Temps d'installation – Installation du réfrigérateur:
15 minutes
- L'installateur est responsable de bien installer ce réfrigérateur.
- Toute panne du produit due à une mauvaise installation n'est pas couverte par la garantie.

EXIGENCES CONCERNANT L'EMPLACEMENT D'INSTALLATION

- N'installez jamais votre réfrigérateur dans un emplacement où la température ambiante sera inférieure à 13 °C (55 °F). Il ne se mettra pas en marche suffisamment souvent pour maintenir des températures convenables.
- Installez votre réfrigérateur sur un plancher suffisamment solide pour le porter lorsqu'il est plein.

DÉGAGEMENTS

- Installation amovible seulement.
- Si le réfrigérateur est installé à proximité d'un mur, laissez suffisamment d'espace du côté charnière pour permettre une ouverture de porte qui permettra l'accès aux bacs du compartiment réfrigérateur.
- N'installez pas le réfrigérateur à moins de 5 po (de la cuisinière).
- Déagements minimaux :

Arrière	2 po du mur
Côtés	3/4 po
Haut	3/4 po

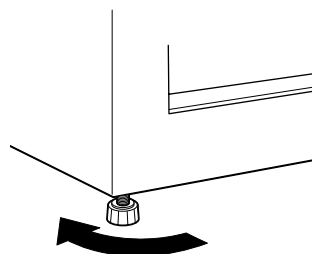
DÉBALLAGE DU RÉFRIGÉRATEUR

- Retirez le ruban adhésif et toute étiquette (sauf l'étiquette des spécifications) du réfrigérateur. Les résidus de ruban ou de colle peuvent se dégager en frottant une petite quantité de savon à vaisselle liquide sur l'adhésif avec les doigts. Essayez avec un chiffon imbibé d'eau chaude puis asséchez.
- N'utilisez pas d'instruments coupants, d'alcool à friction, de liquides inflammables ni de nettoyeurs abrasifs pour enlever le ruban ou la colle. Ces produits peuvent endommager la surface de votre réfrigérateur.
- Lors de son déplacement, ne penchez pas le réfrigérateur de plus de 45° par rapport à sa position droite.

PIEDS DE NIVELLEMENT

Les **pieds ajustables** dans les coins avant du réfrigérateur doivent être ajustés de façon que le réfrigérateur repose solidement contre le plancher; il faut aussi que l'avant soit légèrement plus haut afin que les portes se ferment aisément lorsqu'elles sont ouvertes à mi-course.

Pour ajuster les pieds, tournez-les dans le **sens des aiguilles d'une montre** pour abaisser le réfrigérateur, et dans le **sens inverse** pour le soulever.



Pour soulever le réfrigérateur

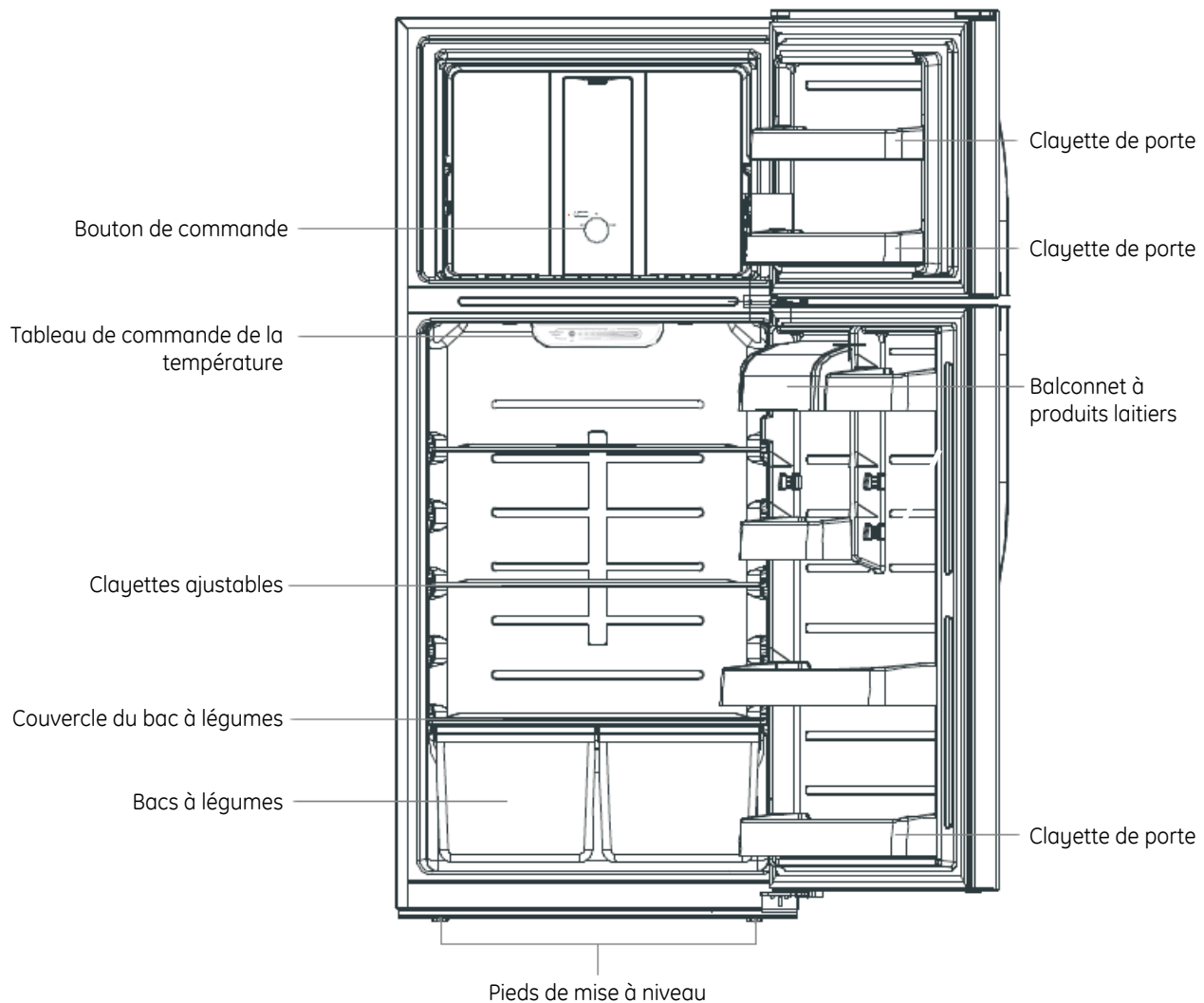
CORDON D'ALIMENTATION

- Branchez le cordon d'alimentation du réfrigérateur dans sa propre prise murale correctement mise à la terre; la spécification de tension de la prise doit correspondre à celle figurant sur la fiche signalétique du réfrigérateur.
- N'utilisez pas une rallonge.
- Lisez les consignes de sécurité des pages 22 et 23.

1 po = 2,5 cm; 1 pi = 0,3 m

Instructions d'installation

COMPOSANTS DU RÉFRIGÉRATEUR (les caractéristiques et l'apparence peuvent varier)



* Toutes les images de ce manuel sont fournies à titre indicatif; veuillez vous référer à votre appareil pour plus de détails.

Instructions d'installation

INVERSION DE LA PORTE

REMARQUES IMPORTANTES

Lorsque vous inversez la porte :

- Lisez bien toutes les instructions avant de commencer.
- Manipulez les pièces avec précaution pour éviter de rayer la peinture.
- Posez les vis à côté des pièces auxquelles elles correspondent pour éviter de les utiliser au mauvais endroit.
- Aménagez un espace qui ne présente aucun risque de rayure pour la porte.

IMPORTANT : Une fois l'inversion commencée, ne déplacez pas le réfrigérateur jusqu'à ce que l'inversion soit terminée.

Ces instructions indiquent comment inverser les charnières de la droite vers la gauche. Si vous souhaitez mettre les charnières du côté droit, suivez les mêmes instructions en inversant toutes les références faites aux côtés droit et gauche.

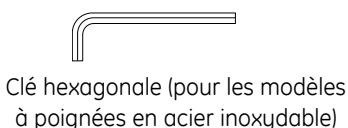
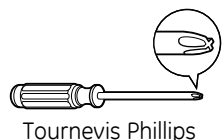
Débranchez le réfrigérateur de la prise murale.

REMARQUE : Ne laissez aucune des deux portes tomber sur le sol. Cela pourrait endommager la butée de porte.

ATTENTION Risque lié au levage

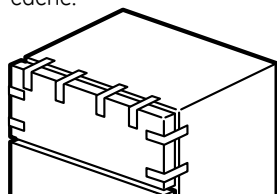
Les portes du compartiment des aliments frais et du compartiment congélateur sont lourdes. Utilisez vos deux mains pour les soulever.

OUTILS DONT VOUS AUREZ BESOIN



1 RETIRER LA PORTE DU COMPARTIMENT CONGÉLATEUR

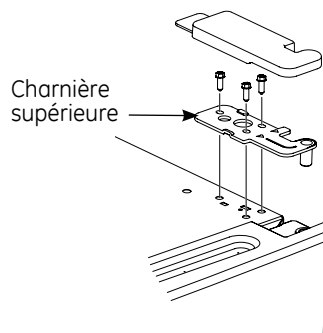
1. Retirez tous les aliments des bacs situés à l'intérieur de la porte.
2. Immobilisez la porte en position fermée au moyen de ruban-cache.



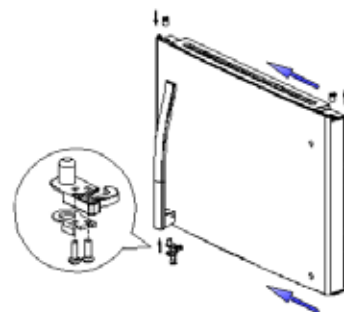
3. Enlevez le couvre-charnière sur le dessus de la porte du congélateur avec un tournevis à lame fine.

1 RETIRER LA PORTE DU COMPARTIMENT CONGÉLATEUR (SUITE)

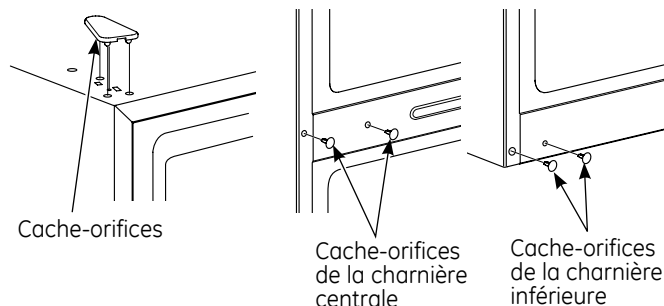
4. Retirez les trois vis avec une clé à douille munie d'un cliquet de 5/16 po, puis soulevez la charnière vers le haut pour libérer l'axe de son logement.



5. Enlevez le ruban-cache et inclinez la porte à une bonne distance du caisson. Soulevez la porte pour la dégager de l'axe de la charnière centrale.
6. Transférez la bague en plastique du côté droit du haut de la porte du congélateur au côté gauche.



7. Enlevez le cache-orifices à l'aide d'un couteau à mastic du côté opposé aux trois charnières.



8. Posez la porte, face intérieure vers le haut, sur une surface qui ne risque pas de la rayer.

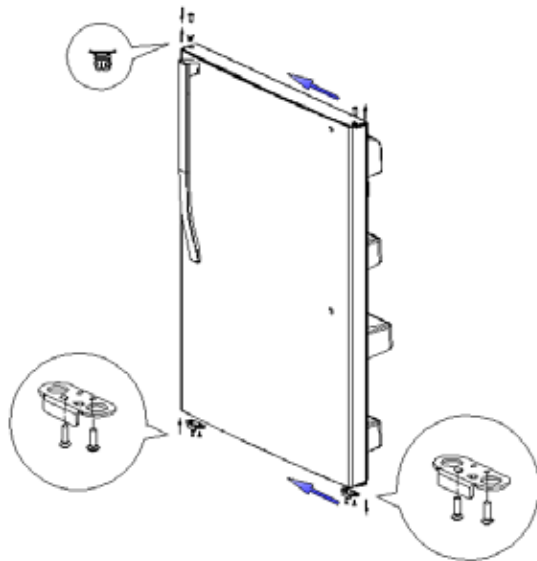
1 po = 2,5 cm; 1 pi = 0,3 m

Instructions d'installation

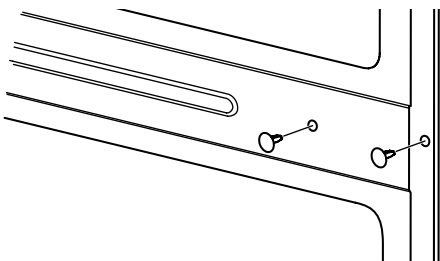
INVERSION DE LA PORTE (SUITE)

2 RETIRER LA PORTE DU COMPARTIMENT RÉFRIGÉRATEUR

1. Retirez tous les aliments des bacs situés à l'intérieur de la porte.
2. Immobilisez la porte en position fermée au moyen de ruban-cache.
3. Retirez la charnière centrale en enlevant les 2 vis qui la retiennent à l'aide d'une clé à douille munie d'un cliquet de 5/16 po. Conservez la charnière centrale et les vis.
4. Enlevez le ruban-cache et inclinez la porte à une bonne distance du caisson. Soulevez la porte vers le haut pour libérer son logement inférieur de l'axe situé dans le support de la charnière inférieure.
5. Transférez la bague en plastique du côté droit du haut de la porte du réfrigérateur au côté gauche.

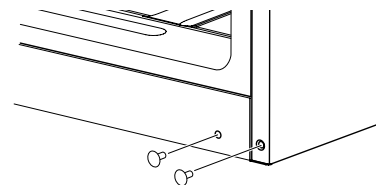
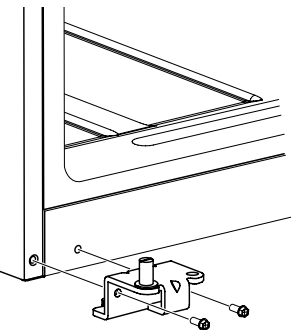
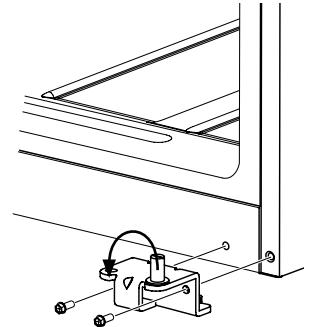


6. Posez la porte, face intérieure vers le haut, sur une surface qui ne risque pas de la rayer.
7. Installez les 2 cache-orifices du côté opposé du caisson sur les trous de vis libérés par le retrait de la charnière centrale.



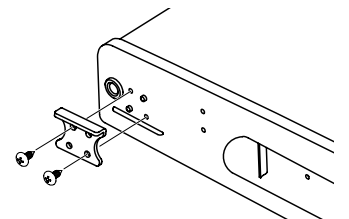
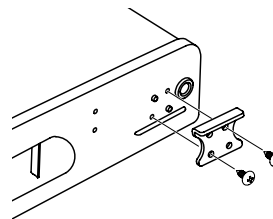
3 TRANSFÉRER LA CHARNIÈRE INFÉRIEURE VERS LA GAUCHE

1. À l'aide de la clé à douille munie d'un cliquet de 5/16 po, retirez les 2 vis de la charnière inférieure.
2. Transférez l'axe de la charnière inférieure du côté droit au côté gauche à l'aide d'un tournevis à lame fine jusqu'à ce que l'épaule de l'axe de la charnière entre en contact avec la charnière.
3. Transférez la charnière inférieure du côté droit au côté gauche et fixez-la avec les 2 vis.
4. Installez les 2 cache-orifices du côté opposé du caisson sur les trous de vis libérés par le retrait de la charnière inférieure.



4 TRANSFÉRER LA BUTÉE DE LA PORTE VERS LA GAUCHE

1. Sur les portes du réfrigérateur et du congélateur, retirez les vis des butées des portes de droite avec un tournevis Phillips.
2. Installez les butées sur les deux portes du côté gauche.



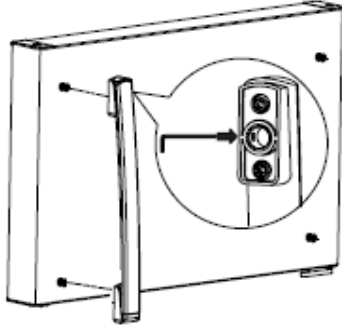
1 po = 2,5 cm; 1 pi = 0,3 m

Instructions d'installation

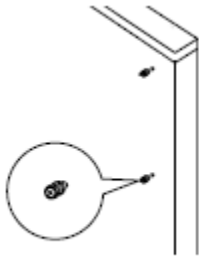
INVERSION DE LA PORTE (SUITE)

5 INVERSION DES POIGNÉES DE PORTE - TRANSFÉRER LA POIGNÉE DE PORTE DU COMPARTIMENT CONGÉLATEUR SUR LE CÔTÉ GAUCHE

1. Desserrez les vis de montage de la poignée à l'aide d'une clé de 1/8 po et retirez la poignée.



2. Retirez la fixation de la poignée du congélateur et bouchez l'orifice de la vis que vous venez de créer.
3. Retirez le capuchon cache-trou du côté droit de la porte du réfrigérateur et insérez la fixation avec un tournevis Phillips.

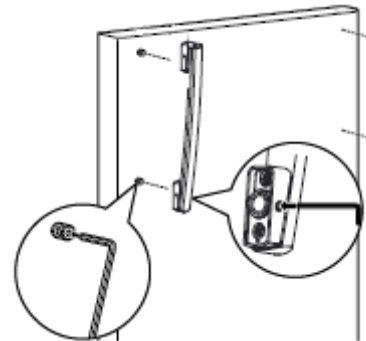


4. Fixez la poignée de la porte du congélateur avec des vis dans la partie supérieure de la poignée. Utilisez une clé hexagonale de 1/8 po pour serrer les vis de montage.

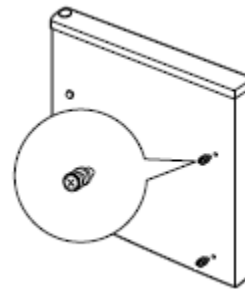
REMARQUE : Ne pas trop serrer.

6 INVERSION DES POIGNÉES DE PORTE - TRANSFÉRER LA POIGNÉE DE PORTE DU COMPARTIMENT RÉFRIGÉRATEUR SUR LE CÔTÉ GAUCHE

1. Desserrez les vis de montage de la poignée à l'aide d'une clé de 1/8 po et retirez la poignée.

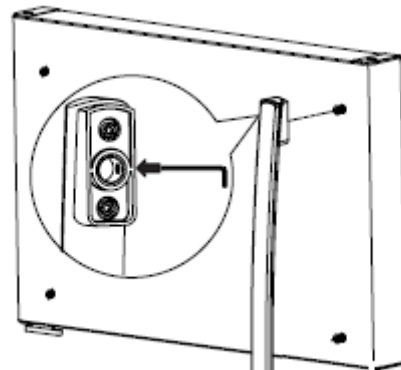


2. Retirez la fixation de la poignée du réfrigérateur et bouchez l'orifice de la vis que vous venez de créer avec le capuchon du côté opposé.
3. Insérez la fixation dans la surface du côté droit de la porte du congélateur avec un tournevis Phillips.



4. Fixez la poignée de la porte du congélateur avec des vis de montage. Utilisez une clé hexagonale de 1/8 po pour serrer les vis de montage.

REMARQUE : Ne pas trop serrer.

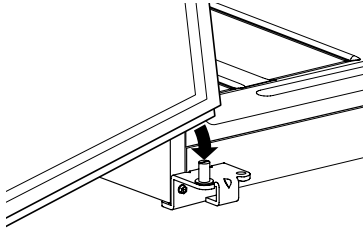


1 po = 2,5 cm; 1 pi = 0,3 m

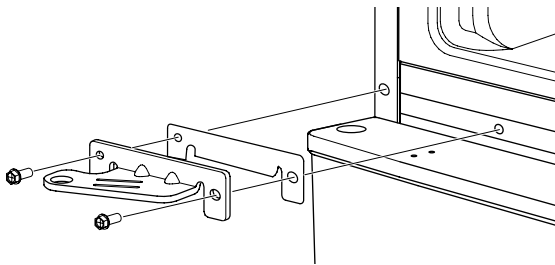
INVERSION DE LA PORTE (SUITE)

7 RÉINSTALLATION DE LA PORTE DU COMPARTIMENT RÉFRIGÉRATEUR

1. Faites descendre la porte du réfrigérateur sur l'axe de la charnière inférieure.

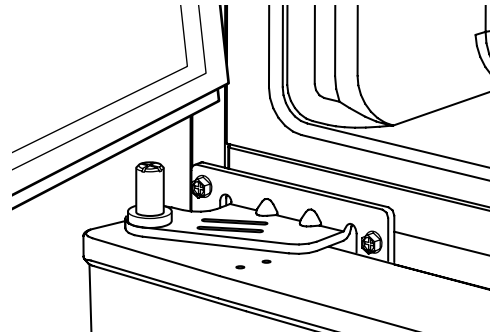


2. Tout en maintenant la porte fermement, utilisez la nouvelle charnière centrale gauche de la trousse d'accessoires et insérez l'axe de la charnière dans le logement de la porte. Avec une clé à douille munie d'un cliquet de 5/16 po, fixez la charnière centrale à l'aide de deux vis.

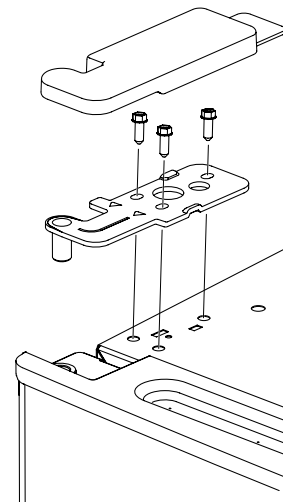


8 RÉINSTALLATION DE LA PORTE DU COMPARTIMENT CONGÉLATEUR

1. Faites descendre la porte du congélateur sur l'axe de la charnière centrale.



2. Placez la charnière supérieure gauche de façon à ce que l'axe soit ajusté au logement de la porte. (La charnière supérieure gauche et le couvre-charnière peuvent être trouvés à l'intérieur du réfrigérateur. Appelez votre fournisseur de service Moffat au 800 561-3344 s'il manque des pièces.) Soutenez la porte sur le côté de la poignée et assurez-vous que la porte est bien droite et que l'écart entre les portes est égal sur leur face avant. En tenant la porte en place, serrez les vis de la charnière supérieure. Veillez à ne pas trop serrer ces vis. Serrez-les jusqu'à ce qu'elles soient légèrement serrées, puis vissez-les d'un autre demi-tour.



3. Enclenchez le couvre-charnière sur la charnière supérieure.

1 po = 2,5 cm; 1 pi = 0,3 m

Bruits normaux de fonctionnement



Les réfrigérateurs plus récents font des bruits différents de ceux des anciens. Les réfrigérateurs modernes présentent plus de fonctions et sont plus avancés sur le plan technologique.

Entendez-vous ce que j'entends? Ces bruits sont normaux

HUMMM... WOUUCH...

- Le nouveau compresseur à rendement élevé peut fonctionner plus longtemps et plus vite que votre ancien réfrigérateur et vous pouvez entendre un son modulé ou un ronflement aigu pendant son fonctionnement.
- Vous pouvez entendre un sifflement lorsque les portes se ferment. Cela vient de l'équilibrage de pression dans le réfrigérateur.

OUIR !



- Vous pouvez entendre les ventilateurs tourner à hautes vitesses. Cela se produit lorsque le réfrigérateur vient d'être branché, lorsque les portes sont ouvertes fréquemment ou lors de l'ajout d'une grande quantité d'aliments dans les compartiments congélateur ou réfrigérateur. Les ventilateurs permettent de maintenir les bonnes températures.

CLICS, CLAQUEMENTS, CRAQUEMENTS et GRÉSILLEMENTS

- Vous pouvez entendre des craquements ou des claquements lorsque le réfrigérateur est branché pour la première fois. Cela se produit lorsque le réfrigérateur se refroidit à la bonne température.
- Le compresseur peut causer un clic ou un grésillement lors de la tentative de redémarrage (cela peut prendre 5 minutes).
- L'expansion et la contraction des serpentins de refroidissement pendant et après le dégivrage peuvent causer un craquement ou un claquement.
- Sur les modèles équipés d'une machine à glaçons, après un cycle de fabrication de glaçons, vous pouvez entendre les glaçons tomber dans le bac.

BRUITS D'EAU



- Le passage de l'agent frigorigère dans les serpentins de refroidissement du congélateur peut être accompagné d'un gargouillement semblable à celui de l'eau en ébullition.
- L'eau tombant sur l'élément chauffant de dégivrage peut faire un bruit de grésillement, de claquement ou de bourdonnement pendant le cycle de dégivrage.
- Un bruit de suintement d'eau peut être entendu pendant le cycle de dégivrage lorsque la glace de l'évaporateur fond et tombe dans le bac de récupération.
- Fermer la porte peut causer un gargouillement en raison de l'équilibrage de pression.



En cas de panne
Économisez votre temps et votre argent! Consultez les tableaux des pages
suivantes, vous éviterez peut-être d'appeler un réparateur.

Problème	Causes possibles	Solutions
Le réfrigérateur ne fonctionne pas	Le réfrigérateur est au cycle dégivrage.	Attendez environ 30 minutes pour la fin du cycle dégivrage.
	Le réfrigérateur est débranché.	Insérez complètement la fiche dans la prise.
	Le fusible est grillé/le disjoncteur est déclenché.	Remplacez le fusible ou réarmez le disjoncteur.
Vibration ou cliquetis (une légère vibration est normale)	Les pieds de nivellement avant doivent être ajustés.	Consultez la section <i>Pieds de nivellement</i> .
Le moteur fonctionne pendant de longues périodes ou se met en marche et s'arrête fréquemment (Les réfrigérateurs modernes, qui ont davantage d'espace de rangement et un compartiment congélation plus grand, nécessitent plus de temps de fonctionnement. Ils se mettent en marche et s'arrêtent souvent pour maintenir des températures constantes.)	C'est normal quand on met en marche le réfrigérateur pour la première fois.	Attendez 24 heures que le réfrigérateur se refroidisse complètement.
	Cela arrive souvent quand on met beaucoup d'aliments dans le réfrigérateur.	Ceci est normal.
	La porte est restée ouverte.	Vérifiez si un emballage empêche la fermeture de la porte.
	Température ambiante élevée ou ouvertures fréquentes de la porte.	Ceci est normal.
	La commande de température est réglée à la valeur la plus froide.	Consultez la section <i>À propos du bouton de commande du réfrigérateur</i> .
Le compartiment réfrigérateur ou congélateur est trop chaud	La commande de température n'a pas été placée à un réglage suffisamment froid.	Consultez la section <i>À propos du bouton de commande du réfrigérateur</i> .
	Température ambiante élevée ou ouvertures fréquentes de la porte.	Ajustez la commande de la température à un réglage plus froid. Consultez la section <i>À propos du bouton de commande du réfrigérateur</i> .
	La porte est restée ouverte.	Vérifiez si un emballage empêche la fermeture de la porte.
Du givre ou des cristaux de glace se forment sur les aliments congelés (la présence de givre à l'intérieur des emballages est normale)	La porte est restée ouverte.	Vérifiez si un emballage empêche la fermeture de la porte.
	Vous ouvrez la porte trop souvent ou trop longtemps.	
Les glaçons ont une odeur ou un goût désagréable	L'odeur/le goût désagréable des glaçons provient d'aliments.	Emballer bien les aliments.
	L'intérieur du réfrigérateur a besoin d'être nettoyé.	Consultez <i>Entretien et nettoyage</i>
La formation des glaçons est lente	La porte est restée ouverte.	Vérifiez si un emballage empêche la fermeture de la porte.
	Le réglage de la commande de température n'est pas suffisamment froid.	Consultez la section <i>À propos du bouton de commande du réfrigérateur</i> .
Le réfrigérateur dégage de mauvaises odeurs	Des aliments dégagent des odeurs.	Les aliments qui dégagent une forte odeur doivent être bien emballés. Gardez une boîte de bicarbonate de soude ouverte dans le réfrigérateur et remplacez-la tous les trois mois.
	L'intérieur a besoin d'un nettoyage.	Consultez <i>Entretien et nettoyage</i>
De l'humidité se forme sur l'extérieur du réfrigérateur	C'est normal pendant les périodes de grande humidité.	Essuyez complètement la surface.

Avant d'appeler un réparateur...



En cas de panne
Économisez votre temps et votre argent! Consultez les tableaux des pages suivantes, vous éviterez peut-être d'appeler un réparateur.

Problème	Causes possibles	Solutions
<i>De l'humidité se forme à l'intérieur (quand il fait humide, l'air transporte de l'humidité à l'intérieur du réfrigérateur quand vous ouvrez les portes)</i>	Vous ouvrez les portes trop souvent ou trop longtemps.	
<i>La lampe intérieure ne fonctionne pas</i>	Pas de courant à la prise électrique.	Remplacez le fusible ou réarmez le disjoncteur.
	L'ampoule est grillée.	Consultez la section <i>Remplacement de l'ampoule</i> .
<i>Les aliments gèlent dans le réfrigérateur</i>	Les aliments sont trop proches de l'évent à l'arrière du réfrigérateur.	Éloignez les aliments de l'évent.
	Le réglage de la commande du réfrigérateur est trop froid.	Réglez la commande à une température plus chaude, d'une unité à la fois. Consultez la section <i>À propos du bouton de commande du réfrigérateur</i> .
<i>De la rouille, du ternissement ou de la saleté est visible sur les portes en acier inoxydable</i>	Environnement humide ou air salé.	Nettoyez l'acier inoxydable à l'aide de nettoyeurs qui contiennent de l'acide oxalique (ex. : la marque Bar Keepers Friend Soft Cleanser) pour enlever la rouille, le calcaire et les autres ternissements. N'essuyez pas le réfrigérateur avec un linge à vaisselle souillé ou une serviette mouillée. N'utilisez pas de tampons à récurer, de nettoyeurs en poudre, de javellisants ni de nettoyeurs qui contiennent du javellisant puisque ces produits peuvent rayer et détériorer le fini.

Please place in envelope and mail to:
Veuillez mettre dans une enveloppe et envoyez à :

**OWNERSHIP REGISTRATION
P.O. BOX 1780
MISSISSAUGA, ONTARIO
L4Y 4G1**

(FOR CANADIAN CONSUMERS ONLY)



For Canadian
Customers



Pour les
Consommateurs
Canadiens

CUT ALONG THIS LINE AND RETURN CARD — THANKS

OWNERSHIP REGISTRATION CERTIFICATE – FICHE D'INSCRIPTION DU PROPRIÉTAIRE

Please register your product to enable us to contact you in the remote event a safety notice is issued for this product and to allow for efficient communication under the terms of your warranty, should the need arise.
Veuillez enregistrer votre produit afin de nous permettre de communiquer avec vous si jamais un avis de sécurité concernant ce produit était émis et de communiquer facilement avec vous en vertu de votre garantie, si le besoin s'en fait sentir.

REGISTER ON-LINE: www.geappliances.ca MAIL TO: **P.O. BOX 1780, MISSISSAUGA**

ENREGISTREMENT SUR INTERNET À: www.electromenagersge.ca POSTER À: **ONTARIO, L4Y 4G1**

MR. / M MRS. / MME. FIRST NAME / PRÉNOM LAST NAME / NOM
 MISS/Mlle. MS.

STREET NO / N° RUE STREET NAME / RUE APT.NO/APP./RR#

CITY / VILLE PROVINCE POSTAL CODE POSTAL

AREA CODE / IND. RÉG. TELEPHONE E-MAIL

DID YOU PURCHASE A SERVICE CONTRACT FOR THIS APPLIANCE? YES/OUI IF YES/SI OUI : EXPIRATION
AVEZ-VOUS ACHÉTÉ UN CONTRAT DE SERVICE POUR CET APPAREIL ? NO/NON Y/A M DU

NAME OF SELLING DEALER / NOM DU MARCHAND MODEL / MODÈLE

INSTALLATION DATE / DATE D'INSTALLATION CORRESPONDENCE ENGLISH
Y/A M DU CORRESPONDANCE FRANÇAIS SERIAL / SÉRIE

I do not wish to receive any promotional offers regarding this product.
Je ne désire pas recevoir d'offres promotionnelles concernant ce produit.

Garantie du réfrigérateur.

Toutes les réparations sous garantie sont effectuées par nos Centres de réparation ou par nos réparateurs agréés Customer Care®. Pour planifier la visite d'un réparateur, composez le 1-800-561-3344. Veuillez avoir les numéros de série et de modèle de votre appareil à portée de main lorsque vous appelez pour obtenir un service.

Agrafez votre facture ici. Une preuve de la date d'achat d'origine est requise pour obtenir des services sous garantie.

Pendant la période de : MC Commercial Inc. remplacera :

Un an À compter de la date d'achat d'origine	Toute pièce du réfrigérateur qui se révèle défectueuse en raison d'un vice de matériau ou de fabrication. Au cours de cette garantie limitée d'un an , MC Commercial Inc. fournira également sans frais , tous les coûts de main-d'œuvre et de service liés au remplacement de la pièce défectueuse.
--	---

Ce que MC Commercial Inc. ne couvre pas :

- Toute visite à votre domicile pour vous expliquer le fonctionnement de l'appareil.
- Une installation, une livraison ou un entretien inadéquats.
- Toute défectuosité du produit lorsqu'il a été utilisé de façon abusive ou inadéquate, ou employé à toute autre fin que celle pour laquelle il a été conçu, ou utilisé à des fins commerciales.
- Les aliments avariés.
- Le remplacement des fusibles ou le réenclenchement des disjoncteurs du panneau de distribution de votre résidence.
- Dommage causé après la livraison.
- Le remplacement de la cartouche du filtre à eau (le cas échéant) causé par une pression d'eau qui dépasse les limites spécifiées ou un remplacement causé par un excès de sédiments dans l'alimentation en eau.
- Le remplacement des ampoules (le cas échéant) ou de la cartouche du filtre à eau (le cas échéant) pour une autre raison que celles citées ci-dessus.
- Tout dommage au produit attribuable à un accident, un incendie, une inondation ou une catastrophe naturelle.
- Tout dommage accessoire ou indirect, causé par des défaillances possibles de l'appareil.
- Tout produit auquel il n'est pas possible d'accéder pour effectuer les réparations nécessaires.

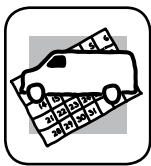
EXCLUSION DES GARANTIES IMPLICITES : votre seul et unique recours est de faire réparer le produit dans le cadre de cette garantie limitée. Toute garantie implicite, incluant la garantie de qualité marchande ou d'aptitude du produit à un usage particulier, est limitée à un an ou à la période la plus courte autorisée par la loi.

Cette garantie est offerte à l'acheteur initial, ainsi qu'à tout propriétaire subséquent d'un produit acheté au Canada en vue d'une utilisation domestique au Canada.

Le service à domicile couvert par la garantie sera fourni dans les régions où il est disponible et où MC Commercial Inc. estime raisonnable de l'offrir.

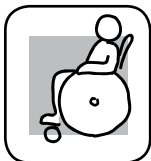
Garant : MC Commercial Inc., Burlington, ON L7R 5B6

Soutien au consommateur.



Demande de réparation

Le service d'un réparateur expert n'est qu'à un pas de chez vous.
Téléphonez au 1 800 561-3344 durant les heures normales de bureau.



Centre de conception universelle

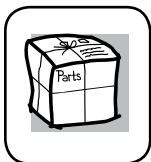
Nous soutenons la conception universelle : produits, services et environnements à la portée de tous, quels que soient leur âge, taille ou capacités mentales et physiques. Nous avons conscience qu'il est nécessaire d'adapter nos produits à toute la variété de capacités et de handicaps physiques et mentaux existants. Pour plus de détails sur les applications de conception universelle, dont la conception de cuisines pour les personnes atteintes d'un handicap, consultez notre site Web dès aujourd'hui.

Écrivez-nous à : Directeur, relations-clients, MC Commercial Inc.
Bureau 310, 1 Factory Lane
Moncton, N.-B. E1C 9M3



Garanties prolongées

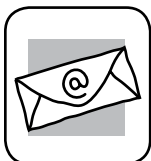
Veillez consulter la liste des fournisseurs de votre région pour profiter des garanties prolongées.



Pièces et accessoires

Consultez les pages jaunes pour connaître le distributeur de pièces autorisé le plus près de chez vous ou téléphonez au 1 800 661-1616.

Les directives stipulées dans le présent manuel comportent des procédures que n'importe quel utilisateur peut effectuer. Les autres types de réparation doivent généralement être confiés à un technicien qualifié. Faites preuve de prudence, car une réparation ou un entretien mal effectué peut rendre l'utilisation de l'appareil dangereuse.



Communiquez avec nous

Si vous n'êtes pas satisfait du service après-vente que vous recevez, communiquez avec nous sur notre site Web en fournissant tous les détails et votre numéro de téléphone ou écrivez à :

Directeur, relations-clients, MC Commercial Inc.
Bureau 310, 1 Factory Lane
Moncton, N.-B. E1C 9M3



Enregistrez votre appareil

www.electromenagersmoffat.ca

Enregistrez votre nouvel appareil en ligne au moment qui vous convient le mieux! L'enregistrement de votre produit dans les délais prescrits permet une meilleure communication et un service rapide, selon les modalités de votre garantie, si besoin est.

Vous pouvez également envoyer par courrier la carte d'enregistrement préimprimée qui se trouve dans l'emballage de votre appareil.

Top Freezer Refrigerator

moffatappliances.ca

Safety Instructions 2, 3

Operating Instructions

Control Settings 4
Storage Drawers 4
Ice Service 5
Care and Cleaning 6, 7

Installation Instructions

Advanced Planning 8
Refrigerator Features 9
Reversing the Door Swing 10-13

Troubleshooting Tips

Normal Operating Sounds 14
Problem Solver 15, 16

Consumer Support

Product Registration 17
Warranty 19
Consumer Support 20

**Owner's Manual and
Installation Instructions**

MTE18

Congélateur supérieur
Réfrigérateurs

**Manuel d'utilisation
et d'installation**

La section française commence à la page 21

*Write the model and serial
numbers here:*

Model # _____

Serial # _____

You can find them on a label inside
the refrigerator.

IMPORTANT SAFETY INFORMATION. READ ALL INSTRUCTIONS BEFORE USING.


IMPORTANT SAFETY INFORMATION READ ALL INSTRUCTIONS BEFORE USING



Moffat Appliances website


For more information on your refrigerator's operation, visit www.moffatappliances.ca or call 800.561.3344

REFRIGERATOR SAFETY INFORMATION


 This is the safety alert symbol. This symbol alerts you to potential hazards that can kill or hurt you and others. All safety messages will follow the safety alert symbol and the word "DANGER", "WARNING", or "CAUTION". These words are defined as:

 **DANGER** Indicates a hazardous situation which, if not avoided, **will** result in death or serious injury.

 **WARNING** Indicates a hazardous situation which, if not avoided, **could** result in death or serious injury.

 **CAUTION** Indicates a hazardous situation which, if not avoided, **could** result in minor or moderate injury.

IMPORTANT SAFETY INSTRUCTIONS

 **WARNING** To reduce the risk of fire, explosion, electric shock, or injury when using your refrigerator follow these basic safety precautions:

- This refrigerator must be properly installed and located in accordance with the Installation Instructions before it is used.
- Do not allow children to climb, stand or hang on the shelves in the refrigerator. They could damage the refrigerator and seriously injure themselves.
- Do not touch the cold surfaces in the freezer compartment, particularly when hands are damp or wet. Skin may stick to these extremely cold surfaces.
- Do not store or use gasoline or other flammable vapors and liquids in the vicinity of this or any other appliance.
- In refrigerators with automatic ice makers, avoid contact with the moving parts of the ejector mechanism, or with the heating element that releases the cubes. Do not place fingers or hands on the automatic ice making mechanism while the refrigerator is plugged in.
- Keep fingers out of the "pinch point" areas; clearances between the doors and between the doors and cabinet are necessarily small. Be careful closing doors when children are in the area.
- Unplug the refrigerator before cleaning and making repairs.
***NOTE:** We strongly recommend that any servicing be performed by a qualified individual.*
- Turning the control to the **COLD** position does not remove power to the light circuit.
- Do not refreeze frozen foods which have thawed completely.
- **Before replacing a burned-out light bulb, the refrigerator should be unplugged** in order to avoid contact with a live wire filament. (A burned-out light bulb may break when being replaced.)

IMPORTANT SAFETY INFORMATION. READ ALL INSTRUCTIONS BEFORE USING.

moftatappliances.ca

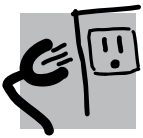
WARNING **Explosion Hazard.**

Keep flammable materials and vapors, such as gasoline, away from refrigerator. Failure to do so can result in fire, explosion, or death.

CONNECTING ELECTRICITY

WARNING **Electrical Shock Hazard.**

Plug into a grounded 3-prong outlet
Do not remove the ground prong
Do not use an adapter
Failure to follow these instructions can result in death, fire, or electrical shock.



Do not, under any circumstances, cut or remove the third (ground) prong from the power cord. For personal safety, this appliance must be properly grounded.

The power cord of this appliance is equipped with a 3-prong (grounding) plug which mates with a standard 3-prong (grounding) wall outlet to minimize the possibility of electric shock hazard from this appliance.

Have the wall outlet and circuit checked by a qualified electrician to make sure the outlet is properly grounded.

Where a standard 2-prong wall outlet is encountered, it is your personal responsibility and obligation to have it replaced with a properly grounded 3-prong wall outlet. Do not use an adapter.

The refrigerator should always be plugged into its own individual electrical outlet which has a voltage rating that matches the rating plate.

This provides the best performance and also prevents overloading house wiring circuits which could cause a fire hazard from overheated wires.

Never unplug your refrigerator by pulling on the power cord. Always grip plug firmly and pull straight out from the outlet.

Repair or replace immediately all power cords that have become frayed or otherwise damaged. Do not use a cord that shows cracks or abrasion damage along its length or at either end.

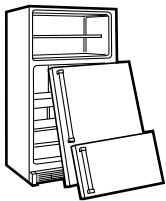
When moving the refrigerator away from the wall, be careful not to roll over or damage the power cord.

PROPER DISPOSAL OF YOUR OLD REFRIGERATOR

WARNING **Suffocation and child entrapment hazard.**

Remove fresh-food and freezer doors from the refrigerator, prior to disposal. Failure to do so can result in child entrapment which can lead to death or brain damage.

IMPORTANT:



Child entrapment and suffocation are not problems of the past. Junked or abandoned refrigerators are still dangerous even if they will sit for "just a few days." If you are getting rid of your old refrigerator, please follow the instructions below to help prevent accidents.

Before You Throw Away Your Old Refrigerator or Freezer:

- Take off the fresh food and freezer doors.
- Leave the shelves in place so that children may not easily climb inside.

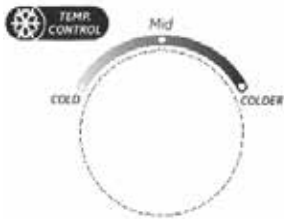
Refrigerants

All refrigeration products contain refrigerants, which under federal law must be removed prior to product disposal. If you are getting rid of an old refrigeration product, check with the company handling the disposal about what to do.



**READ AND FOLLOW THIS SAFETY INFORMATION CAREFULLY.
SAVE THESE INSTRUCTIONS**

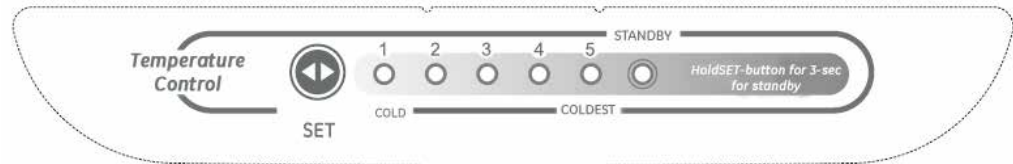
About the control on the refrigerator.



Freezer Temp Control

Min is Cold
Middle is Normal
Max is Coldest

There is a temperature control in the fresh food compartment as well as the freezer compartment. Initially set the control to the recommended normal settings in the fresh food and freezer compartments. Allow 24 hours for the temperature to stabilize.



Fresh Food Temp Control

1 is cold
5 is coldest

Control Settings

Refrigerator Control

When first powered all lights are illuminated for 3 seconds. The factory setting 3 is displayed after 3 seconds. Change setting by pressing SET key, each time you press it will advance by 1. Press until the desired setting is achieved. Adjust controls one increment at a time to determine your preferred setting. Allow 12 hours after each adjustment for the refrigerator reach the temperature you have set. Setting 1 is the warmest 5 is the coldest.

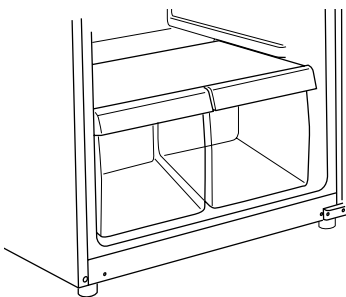
Standby Mode

When the refrigerator is in ON, Press SET for 3 seconds the refrigerator will go into standby mode, the standby indicator light will be on. Standby setting will stop cooling in both the refrigerator and freezer compartments but does not shut off electrical power to the refrigerator. Revert to normal operation by pressing the SET button, the standby light will go off, it will go back to the last setting.

After each adjustment, check both the freezer and the fresh food compartments. Changing the fresh food control will affect the temperature of the freezer compartment. Likewise, changing the freezer control can affect the temperature of the fresh food compartment.

Control settings will vary based on personal preferences, usage and operating conditions and may require more than one adjustment. Factors that affect temperature include the amount of food in the fresh food and freezer compartments, frequency of door opening, and temperature of food when placed in either compartment.

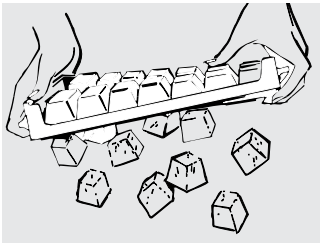
About the storage drawers.



Fruit and Vegetable Drawers

These storage drawers provide space to store fruits, vegetables and meats.

To remove and replace the drawers and the cover above them, the door must be fully opened. In some installations, the refrigerator may have to be moved away from the wall for the door to be fully opened.



Ice Trays

To make ice, fill the ice tray with water and set it on a level surface in the freezer compartment. Ice cubes will form in a few hours.

To release ice cubes, turn the tray upside down, hold it over a container and twist both ends.

For only one or two ice cubes, leave the tray right-side up, twist both ends slightly and remove as many cubes as you want.

Wash ice trays in lukewarm water only—do not put them in an automatic dishwasher.

Care and cleaning of the refrigerator.

Cleaning the Outside

Keep the outside clean. Wipe with a clean cloth lightly dampened with mild liquid dish detergent. Dry with a clean, soft cloth.

Do not wipe the stainless steel door with a soiled dishcloth or wet towel. These may leave a residue that can erode the finish. Do not use scouring pads, powdered cleaners, bleach or cleaners containing bleach because these products can scratch and weaken the finish. Use only a liquid cleanser free of grit and rub in the direction of the brush lines.

The stainless steel door and door handle can be cleaned with a commercially available stainless steel cleaner. Cleaners with oxalic acid (e.g. Bar Keepers Friend Soft Cleanser) will remove rust, lime, and other tarnish. Do not use appliance wax or polish on the stainless steel.

Protect the paint finish. The finish on the outside of the refrigerator is a high quality, baked-on paint finish. With proper care, it will stay new-looking and rust free for years. Apply a coat of kitchen/appliance wax when the refrigerator is new, and then at least twice a year.

Cleaning the Inside

To help prevent odors, leave an open box of baking soda in the fresh food and freezer compartments.

Unplug the refrigerator before cleaning.

If this is not practical, wring excess moisture out of sponge or cloth when cleaning around switches, lights or controls.

Use warm water and baking soda solution—about a tablespoon (15 ml) of baking soda to a quart (1 liter) of water. This both cleans and neutralizes odors. Rinse and wipe dry.

Other parts of the refrigerator—including door gaskets, fruit and vegetable drawers, and all plastic parts—can be cleaned the same way.

After cleaning the door gaskets, apply a thin layer of petroleum jelly to the door gaskets at the hinge side. This helps keep the gaskets from sticking and bending out of shape. Do not use cleansing powders or other abrasive cleaners.

Do not wash any plastic refrigerator parts in the dishwasher.

Avoid cleaning cold glass shelves (on some models) with hot water because the extreme temperature difference may cause them to break. Handle glass shelves carefully. Bumping tempered glass can cause it to shatter.

Replacing the Light Bulb

! WARNING: Light bulb may be hot. Before replacing a burned-out light bulb, the refrigerator should be unplugged in order to avoid contact with a live wire filament (A burned-out light bulb may break when being replaced.) Turning the control to the OFF position does not remove power to the light circuit. Maximum bulb wattage: 40W

- 1 Unplug the refrigerator
- 2 The bulb is located at the top of the refrigerator compartment. Unfasten screw to remove light cover.
- 3 Replace bulb with a new one of the same or lower wattage
- 4 Reattach light cover using screw

- 5 Plug the refrigerator back in

CAUTION

Using a bulb rated higher than 40W may damage the control housing and light lens.

Preparing for Vacation

For long vacations or absences, remove food and unplug the refrigerator. Clean the interior with a baking soda solution of one tablespoon (15 ml) of baking soda to one quart (1 liter) of water. Leave the doors open.

Preparing to Move

Remove food and unplug the refrigerator. Secure all loose items such as shelves and drawers by taping them securely in place to prevent damage.

Be sure the refrigerator stays in an upright position during moving.

Installation Instructions

Refrigerator

Models MTS18

*If you have questions, call 1.800.561.3344 or Visit our Website at:
www.moffatappliances.ca*

BEFORE YOU BEGIN

Read these instructions completely and carefully.

- **IMPORTANT** – Save these instructions for local inspector's use.
- **IMPORTANT** – Observe all governing codes and ordinances.
- **Note to Installer** – Be sure to leave these instructions with the Consumer.
- **Note to Consumer** – Keep these instructions for future reference.
- Skill level – Installation of this appliance requires basic mechanical skills.
- Completion time – Refrigerator Installation
15 minutes
- Proper installation is the responsibility of the installer.
- Product failure due to improper installation is not covered under the Warranty.

LOCATION REQUIREMENTS

- Do not install the refrigerator where the temperature will go below 55°F (13°C) because it will not run often enough to maintain proper temperatures.
- Install it on a floor strong enough to support it fully loaded.

CLEARANCES

- Free-standing installation only.
- If the refrigerator is being installed next to a wall, leave sufficient space on the hinge side to allow the door to swing open enough to access the clear bins in the refrigerator compartment.
- Do not install within 5" (13 cm) of the range.
- Minimum Clearances:

Back	2" from wall
Sides	3/4"
Top	3/4"

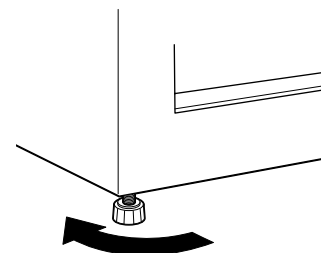
UNPACKING YOUR REFRIGERATOR

- Remove tape and any labels (except for the rating label) from your refrigerator. Tape or glue residue can also be removed by rubbing a small amount of liquid dish soap over the adhesive with your fingers. Wipe with warm water and dry.
- Do not use sharp instruments, rubbing alcohol, flammable fluids, or abrasive cleaners to remove tape or glue. These products can damage the surface of your refrigerator.
- When moving the refrigerator, do not tilt the refrigerator beyond 45° from upright position.

LEVELING LEGS

Adjustable legs at the front corners of the refrigerator should be set so the refrigerator is firmly positioned on the floor, and the front is raised just enough that the door closes easily when opened about halfway.

To adjust the leveling legs, turn the legs **clockwise** to raise the refrigerator, **counterclockwise** to lower it.



To raise the refrigerator

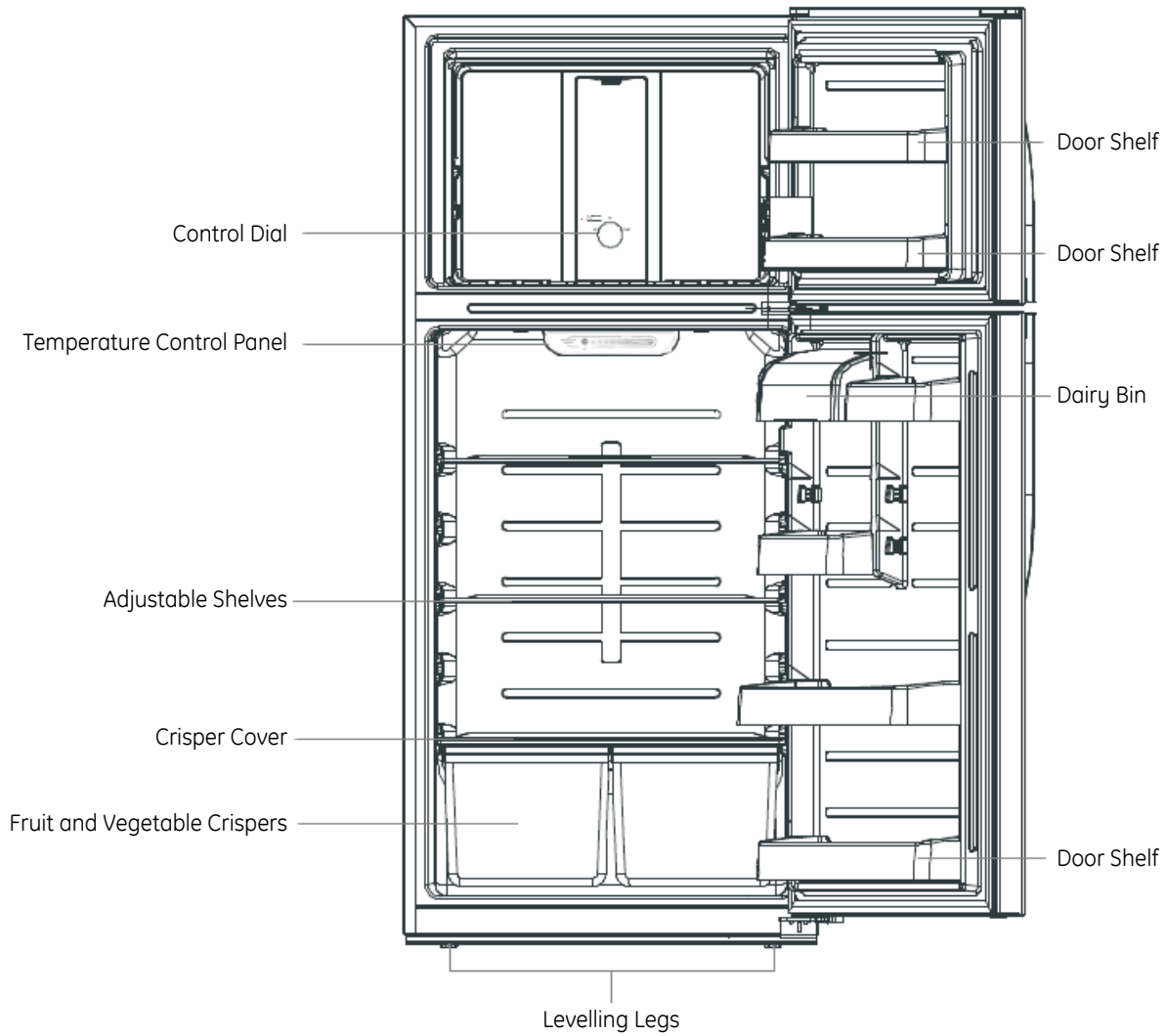
POWER CORD

- Plug the refrigerator power cord into its own properly grounded wall outlet with a voltage rating matching that on the refrigerator rating plate.
- Do not use an extension cord.
- Read all safety precautions on pages 2 and 3.

1" = 2.5 cm; 1' = 0.3 m

Installation Instructions

REFRIGERATOR FEATURES (appearance and features may vary)



* All images in this instruction manual are for indication only; please refer to your individual unit for details.

Installation Instructions

REVERSING THE DOOR SWING

IMPORTANT NOTES

When reversing the door swing:

- Read the instructions all the way through before starting.
- Handle parts carefully to avoid scratching paint.
- Set screws down by their related parts to avoid using them in the wrong places.
- Provide a non-scratching work surface for the doors.

IMPORTANT: Once you begin, do not move the cabinet until door-swing reversal is completed.

These instructions are for changing the hinges from the right side to the left side—if you ever want to change the hinges back to the right side, follow these same instructions and reverse all references to left and right.

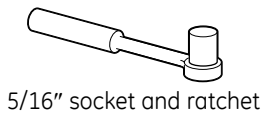
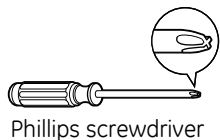
Unplug the refrigerator from its electrical outlet.

NOTE: Do not let either door drop to the floor. To do so could damage the door stop.

CAUTION Lifting Hazard

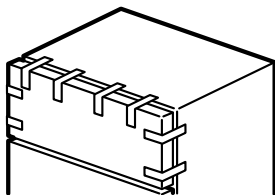
The Fresh Food and Freezer doors are heavy. Use both hands to secure the doors before lifting.

TOOLS YOU WILL NEED



1 REMOVE FREEZER DOOR

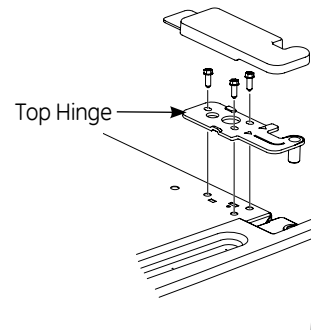
1. Remove all food from the inner door liner..
2. Tape the door shut with masking tape.



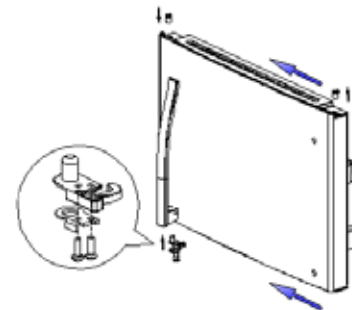
3. Remove the hinge cover on top of the freezer door with a thin-blade screwdriver..

1 REMOVE FREEZER DOOR (CONT.)

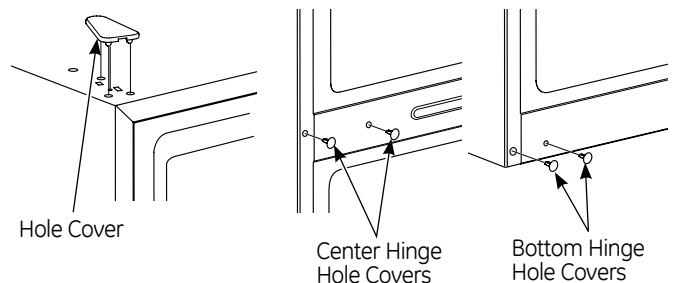
4. Remove the three screws with a 5/16" socket and ratchet, then lift the hinge straight up to free the hinge pin from the socket in the top of the door.



5. Remove the tape and tilt the door away from the cabinet. Lift it off the center hinge pin.
6. Transfer plastic bushing from right side of top of freezer door to the left side.



7. Remove the hole covers with a putty knife on the opposite side of the three hinges.



8. Set the door on a non-scratching surface with the inside up.

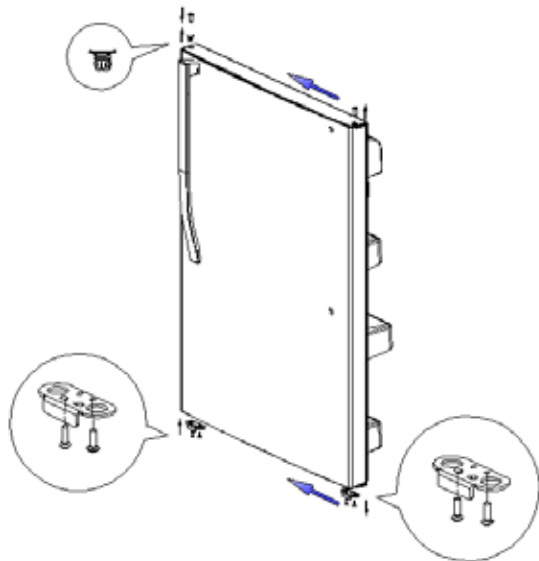
1" = 2.5 cm; 1' = 0.3 m

Installation Instructions

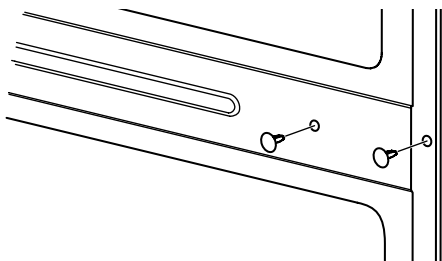
REVERSING THE DOOR SWING (CONT.)

2 REMOVE REFRIGERATOR DOOR

1. Remove all food from the inner door liner.
2. Tape the door shut with masking tape.
3. Remove the center hinge by removing two hinge screws with a 5/16" socket and ratchet. Save the center hinge and screws.
4. Remove the tape and tilt the door away from the cabinet. Lift the door straight up to free its bottom socket from the pin in the bottom hinge bracket.
5. Transfer plastic bushing from right side of top of refrigerator door to the left side.

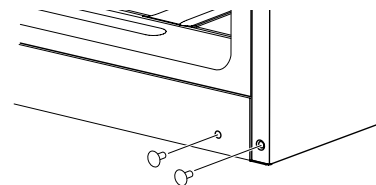
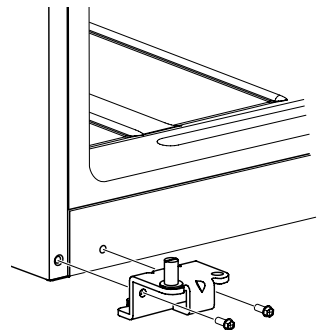
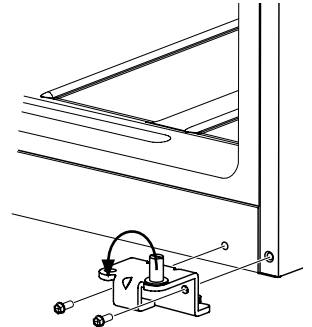


6. Set the door on a non-scratching surface with the inside up.
7. Install the 2 hole plugs from the opposite side of the cabinet to the screw holes vacated by the center hinge removal.



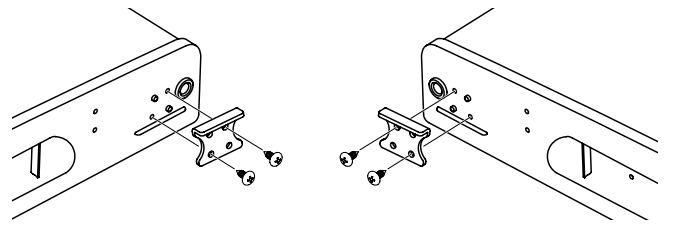
3 TRANSFER BOTTOM HINGE TO THE LEFT

1. Using a 5/16 Socket and ratchet, remove the 2 screws from the bottom hinge.
2. Move the bottom hinge pin from the right to the left side with a thin-blade screwdriver until the shoulder of the hinge pin is touching the hinge.
3. Move the bottom hinge from the right to the left side and tighten the 2 screws.
4. Install the 2 hole plugs from the opposite side of the cabinet to the screw holes vacated by the bottom hinge removal.



4 TRANSFER DOOR STOP TO THE LEFT

1. On both the refrigerator and freezer doors, remove the screws from the door stop on the right with a Phillips screwdriver.
2. Install the door stop on the left of each door.



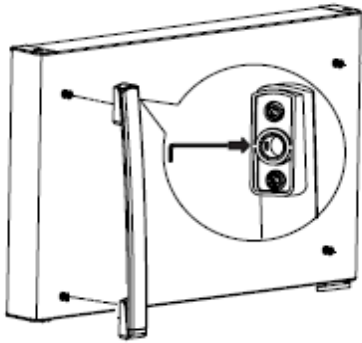
1" = 2.5 cm; 1' = 0.3 m

Installation Instructions

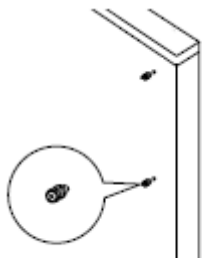
REVERSING THE DOOR SWING (CONT.)

5 REVERSING DOOR HANDLES – TRANSFER FREEZER DOOR HANDLE TO THE LEFT SIDE

1. Loosen the set screws on the handle with 1/8" wrench and remove handle.



2. Remove the fasteners from the surface of the freezer door, and cover the new vacant holes.
3. Remove the plug buttons from the surface of the right side of the refrigerator door and insert the fasteners with a Phillips screwdriver.

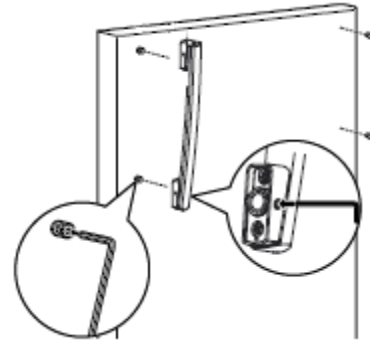


4. Attach handle to freezer door with screws at the top of the handle. Use 1/8" allen wrench to tighten the set screws.

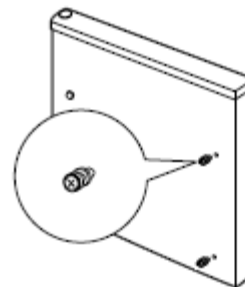
NOTE: Do not over-tighten.

6 REVERSING DOOR HANDLES – TRANSFER REFRIGERATOR DOOR HANDLE TO THE LEFT SIDE

1. Loosen set screws on handle with 1/8" wrench and remove handle.

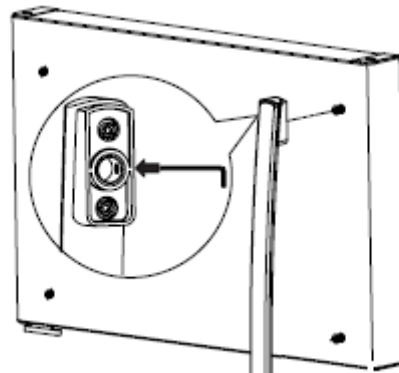


2. Remove the fastener from the surface of the refrigerator door, and cover the new vacant hole with the plug from the opposite side.
3. Insert the fastener into the surface of the right side of the freezer door with a Phillips screwdriver.



4. Attach the handle to the freezer door with set screws. Use 1/8" allen wrench to tighten the set screws.

NOTE: Do not over-tighten.



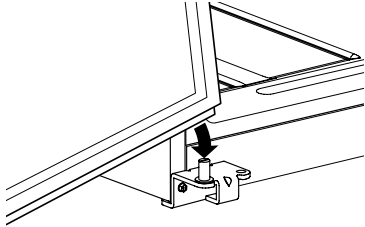
1" = 2.5 cm; 1' = 0.3 m

Installation Instructions

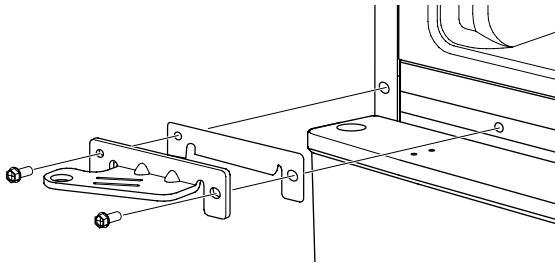
REVERSING THE DOOR SWING (CONT.)

7 REHANG THE REFRIGERATOR DOOR

1. Lower the refrigerator door onto the bottom hinge pin.

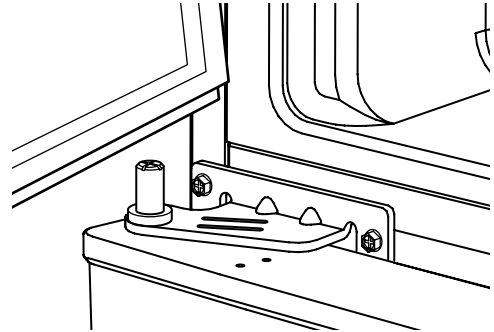


2. While holding the door securely, use the new left-hand middle hinge from the accessory kit insert hinge pin into socket in door. Attach the center hinge with two screws with a 5/16" socket and ratchet.

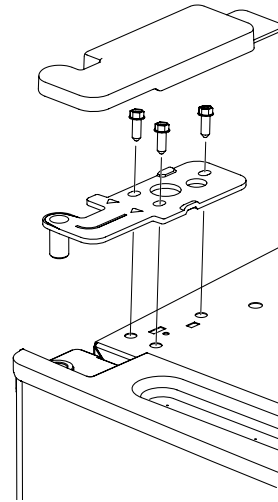


8 REHANG THE FREEZER DOOR

1. Lower the freezer door onto the center hinge pin.



2. Place the left top hinge so the pin fits into the door socket. (Left top hinge and cover can be found inside of the product. Call your Moffat Service provider at 800.561.3344 if parts are missing. Support the door on the handle side and make sure the door is straight and the gap between the doors is even across the front. While holding the door in place, tighten the top hinge screws. Do not overtighten these screws. Tighten them until they are just snug, and then turn them another one-half turn.



3. Snap the left top hinge cover over the hinge.

1" = 2.5 cm; 1' = 0.3 m

Normal operating sounds.



Newer refrigerators sound different from older refrigerators. Modern refrigerators have more features and use newer technology.

Do you hear what I hear? These sounds are normal.

HUMMM... WHOOSH...

- The new high efficiency compressor may run faster and longer than your old refrigerator and you may hear a high-pitched hum or pulsating sound while it is operating.
- You may hear a whooshing sound when the doors close. This is due to pressure equalizing within the refrigerator.



- You may hear the fans spinning at high speeds. This happens when the refrigerator is first plugged in, when the doors are opened frequently or when a large amount of food is added to the refrigerator or freezer compartments. The fans are helping to maintain the correct temperatures.

CLICKS, POPS, CRACKS and CHIRPS

- You may hear cracking or popping sounds when the refrigerator is first plugged in. This happens as the refrigerator cools to the correct temperature.
- The compressor may cause a clicking or chirping sound when attempting to restart (this could take up to 5 minutes).
- Expansion and contraction of cooling coils during and after defrost can cause a cracking or popping sound.
- On models with an ice maker, after an ice making cycle, you may hear the ice cubes dropping into the ice bucket.

WATER SOUNDS



- The flow of refrigerant through the freezer cooling coils may make a gurgling noise like boiling water.
- Water dropping on the defrost heater can cause a sizzling, popping or buzzing sound during the defrost cycle.
- A water dripping noise may occur during the defrost cycle as ice melts from the evaporator and flows into the drain pan.
- Closing the door may cause a gurgling sound due to pressure equalization.

Before you call for service...



*Troubleshooting Tips
Save time and money! Review the charts on the following pages first and you may not need to call for service.*

Problem	Possible Causes	What To Do
Refrigerator does not operate	Refrigerator in defrost cycle.	Wait about 30 minutes for defrost cycle to end.
	Refrigerator is unplugged.	Push the plug completely into the outlet.
	The fuse is blown/circuit breaker is tripped.	Replace fuse or reset the breaker.
Vibration or rattling (slight vibration is normal)	Front leveling legs need adjusting.	See Leveling Legs.
Motor operates for long periods or cycles on and off frequently. (Modern refrigerators with more storage space and a larger freezer require more operating time. They start and stop often to maintain even temperatures.)	Normal when refrigerator is first plugged in.	Wait 24 hours for the refrigerator to completely cool down.
	Often occurs when large amounts of food are placed in refrigerator.	This is normal.
	Door left open.	Check to see if a package is holding door open.
	Hot weather or frequent door openings.	This is normal.
	Temperature control set at the coldest setting.	See About the control.
Fresh food or freezer compartment too warm	Temperature control not set cold enough.	See About the control.
	Warm weather or frequent door openings.	Set the temperature control one step colder. See About the control.
	Door left open.	Check to see if a package is holding door open.
Frost or ice crystals on frozen food (frost within package is normal)	Door left open.	Check to see if a package is holding door open.
	Too frequent or too long door openings.	
Ice cubes have odor/taste	Food transmitting odor/taste to ice cubes.	Wrap foods well.
	Interior of refrigerator needs cleaning.	See Care and cleaning.
Slow ice cube freezing	Door left open.	Check to see if package is holding door open.
	Temperature control not set cold enough.	See About the control.
Refrigerator has odor	Foods transmitting odor to refrigerator.	Foods with strong odors should be tightly wrapped. Keep an open box of baking soda in the refrigerator; replace every three months.
	Interior needs cleaning.	See Care and cleaning.
Moisture forms on outside of refrigerator	Not unusual during periods of high humidity.	Wipe surface dry.
Moisture collects inside (in humid weather, air carries moisture into refrigerator when doors are opened)	Too frequent or too long door openings.	

Before you call for service...



Troubleshooting Tips

Save time and money! Review the charts on the following pages first and you may not need to call for service.

Problem	Possible Causes	What To Do
Interior light does not work	No power at outlet.	Replace fuse or reset the breaker.
	Light bulb burned out.	See <i>Replacing the light bulb.</i>
Food is freezing in the refrigerator	Food too close to the air vent at the back of the refrigerator.	Move the food away from the air vent.
	Refrigerator control is set too cold.	Move the refrigerator control to a warmer temperature setting one increment at a time. See <i>About the controls.</i>
Rust, tarnish, or grime on stainless steel doors	Moist environment or salt air.	Clean stainless steel with cleaners containing oxalic acid (e.g. Bar Keepers Friend Soft Cleanser) will remove rust, lime, and other tarnish. Do not wipe the refrigerator with a soiled dish cloth or wet towel. Do not use scouring pads, powdered cleaners, bleach or cleaners containing bleach because these products can scratch and ruin the brush finish of the stainless steel.

Please place in envelope and mail to:
Veuillez mettre dans une enveloppe et envoyez à :

**OWNERSHIP REGISTRATION
P.O. BOX 1780
MISSISSAUGA, ONTARIO
L4Y 4G1**

(FOR CANADIAN CONSUMERS ONLY)



For Canadian
Customers



Pour les
Consommateurs
Canadiens

CUT ALONG THIS LINE AND RETURN CARD — THANKS

OWNERSHIP REGISTRATION CERTIFICATE – FICHE D'INSCRIPTION DU PROPRIÉTAIRE

Please register your product to enable us to contact you in the remote event a safety notice is issued for this product and to allow for efficient communication under the terms of your warranty, should the need arise.
 Veuillez enregistrer votre produit afin de nous permettre de communiquer avec vous si jamais un avis de sécurité concernant ce produit était émis et de communiquer facilement avec vous en vertu de votre garantie, si le besoin s'en fait sentir.

REGISTER ON-LINE: www.geappliances.ca MAIL TO: **P.O. BOX 1780, MISSISSAUGA**
 ENREGISTREMENT SUR INTERNET À: www.electromenagersge.ca POSTER À: **ONTARIO, L4Y 4G1**

MR. / M MRS. / MME. FIRST NAME / PRÉNOM LAST NAME / NOM
 MISS/Mlle. MS.

STREET NO / N° RUE STREET NAME / RUE APT.NO/APP./RR#

CITY / VILLE PROVINCE POSTAL CODE POSTAL

AREA CODE / IND. REG. TELEPHONE E-MAIL

DID YOU PURCHASE A SERVICE CONTRACT FOR THIS APPLIANCE?
 AVEZ-VOUS ACHETÉ UN CONTRAT DE SERVICE POUR CET APPAREIL ? YES/OUI IF YES/SI OUI : EXPIRATION
 NO/NON Y/A M DU

NAME OF SELLING DEALER / NOM DU MARCHAND MODEL / MODÈLE

INSTALLATION DATE / DATE D'INSTALLATION CORRESPONDENCE ENGLISH
 Y/A M DU CORRESPONDANCE FRANÇAIS SERIAL / SÉRIE

I do not wish to receive any promotional offers regarding this product.
 Je ne désire pas recevoir d'offres promotionnelles concernant ce produit.

Refrigerator Warranty.

All warranty service provided by our Factory Service Centers, or an authorized Customer Care® technician. To schedule service call 1-800-561-3344. Please have serial number and model number available when calling for service.

Staple your receipt here. Proof of the original purchase date is needed to obtain service under the warranty.

For The Period Of: MC Commercial Inc. Will Replace

One Year

From the date of the original purchase

Any part of the refrigerator which fails due to a defect in materials or workmanship.

During this **limited one-year warranty**, MC Commercial Inc. will also provide, **free of charge**, all labor and related service to replace the defective part.

What MC Commercial Inc. Will Not Cover:

- Service trips to your home to teach you how to use the product.
- Improper installation, delivery or maintenance.
- Failure of the product if it is abused, misused, or used for other than the intended purpose or used commercially.
- Loss of food due to spoilage.
- Replacement of house fuses or resetting of circuit breakers.
- Damage caused after delivery.
- Replacement of the water filter cartridge, if included, due to water pressure that is outside the specified operating range or due to excessive sediment in the water supply.
- Replacement of the light bulbs, if included, or water filter cartridge, if included, other than as noted above.
- Damage to the product caused by accident, fire, floods or acts of God.
- Incidental or consequential damage caused by possible defects with this appliance.
- Product not accessible to provide required service.

EXCLUSION OF IMPLIED WARRANTIES-Your sole and exclusive remedy is product repair as provided in this Limited Warranty. Any implied warranties, including the implied warranties of merchantability or fitness for a particular purpose, are limited to one year or the shortest period allowed by law.

This warranty is extended to the original purchaser and any succeeding owner for products purchased in Canada for home use within Canada.

In-home warrant service will be provided in areas where it is available and deemed reasonable by MC Commercial Inc. to provide.

Warrantor: MC Commercial Inc., Burlington, ON L7R 5B6

Consumer Support.



Schedule Service

Expert repair service is only one step away from your door.
Call 1.800.561.3344 during normal business hours.



Real Life Design Studio

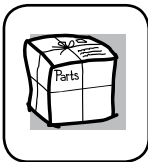
We support Universal Design concept-products, services and environments that can be used by people of all ages, sizes and capabilities. We recognize the need to design for a wide range of physical and mental abilities and impairments. For details of our Universal Design applications, including kitchen design ideas for people with disabilities, check out our Website today.

Write to us: Director, Customer Relations, MC Commercial Inc.
Bureau 310, 1 Factory Lane
Moncton, N.B. E1C 9M3



Extended Warranties

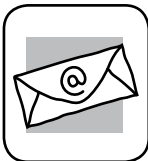
Please consult your local listings for extended warranty suppliers.



Parts and Accessories

Consult the yellow pages for the nearest authorized parts distributor, or call 1.800.661.1616.

Instructions contained in this manual cover procedures to be performed by any user.
Other servicing generally should be referred to qualified service personnel. Caution must be exercised, since improper servicing may cause unsafe operation.



Contact Us

If you are not satisfied with the service you receive, contact us on our Website with all the details including your phone number, or write to:

Director, Customer Relations, MC Commercial Inc.
Bureau 310, 1 Factory Lane
Moncton, N.B. E1C 9M3



Register Your Appliance

moffatappliances.ca

Register your new appliance on-line-at your convenience! Timely product registration will allow for enhanced communication and prompt service under the terms of your warranty, should the need arise.
You may also mail in the pre-printed registration card included in the packing material.

Sécurité..... 22, 23

Utilisation

Réglage des commandes.....24

Bacs de rangement.....24

Production de glace25

Entretien et nettoyage 26, 27

Instructions d'installation

Planification28

Composants du réfrigérateur29

Inversion de la porte30 à 33

Dépannage

Bruits normaux de fonctionnement ...34

Avant d'appeler un réparateur 35, 36

Service à la clientèle

Enregistrement du produit.....37

Garantie39

Soutien au consommateur40

**Écrivez ici le numéro de modèle et le
numéro de série :**

N° de modèle _____

N° de série _____

Vous les trouvez sur une étiquette
dans le coin supérieur gauche du
compartiment réfrigérateur.

INSTRUCTIONS IMPORTANTES DE SÉCURITÉ. LISEZ TOUTES LES INSTRUCTIONS AVANT D'UTILISER VOTRE RÉFRIGÉRATEUR.

INSTRUCTIONS IMPORTANTES DE SÉCURITÉ LISEZ TOUTES LES INSTRUCTIONS AVANT



Site Web des électroménagers Moffat

Pour obtenir de plus amples renseignements sur le fonctionnement de votre réfrigérateur, visitez le www.electromenagersmoffat.ca ou appelez au 1 800 561-3344

CONSIGNES DE SÉCURITÉ POUR LE RÉFRIGÉRATEUR

! Ce symbole représente une alerte de sécurité. Ce symbole vous avise de dangers possibles pouvant causer la mort, des blessures ou autres. Tous les messages de sécurité seront précédés du symbole d'alerte de sécurité ainsi que des mots « DANGER », « AVERTISSEMENT » ou « MISE EN GARDE ». Ces messages sont les suivants :

! DANGER Signale une situation qui présente un danger imminent et qui, si elle n'est pas évitée, entraînera des blessures graves, voire la mort.

! AVERTISSEMENT Signale une situation qui présente un danger imminent et qui, si elle n'est pas évitée, peut entraîner des blessures graves, voire la mort.

! MISE EN GARDE Signale une situation qui présente un danger imminent et qui, si elle n'est pas évitée, peut entraîner des blessures mineures ou graves.

IMPORTANTES CONSIGNES DE SÉCURITÉ

! AVERTISSEMENT Pour réduire le risque d'incendie, d'explosion, de choc électrique ou de blessures lorsque vous utilisez votre réfrigérateur, veuillez suivre ces consignes de sécurité :

- Vous devez bien installer et placer votre réfrigérateur, conformément aux Instructions d'installation avant de l'utiliser.
- Ne permettez pas aux enfants de grimper, se tenir ou se suspendre aux tablettes du réfrigérateur. Ils pourraient se blesser gravement.
- Ne touchez jamais les surfaces froides dans le compartiment congélation quand vos mains sont humides ou mouillées. Votre peau peut coller à ces surfaces extrêmement froides.
- Ne conservez jamais ou n'utilisez jamais d'essence ou d'autres liquides ou gaz inflammables à proximité de votre réfrigérateur ou de tout autre appareil électroménager.
- Dans les réfrigérateurs qui ont des machines à glaçons, évitez tout contact avec les éléments mobiles du mécanisme d'éjection ou avec l'élément chauffant (situé dans le bas de la machine à glaçons) qui libère les glaçons. Ne mettez jamais vos doigts ou vos mains sur le mécanisme de fabrication automatique de glaçons quand le réfrigérateur est branché.
- Ne laissez jamais vos doigts dans des endroits où ils risquent d'être pincés. L'écartement entre les portes et l'armoire est nécessairement petit. Faites attention de fermer les portes quand des enfants se trouvent à proximité.
- Débranchez votre réfrigérateur avant de le nettoyer et de le réparer.
REMARQUE : Nous vous recommandons fortement de faire accomplir tout service par un technicien qualifié.
- Tourner la commande à la position **COLD** (froid) ne coupe pas l'alimentation au circuit de la lampe.
- Ne recongelez jamais des aliments congelés qui ont complètement dégelé.
- **Le réfrigérateur doit être débranché avant de remplacer l'ampoule** afin d'éviter tout contact avec un fil de câble sous tension.

INSTRUCTIONS IMPORTANTES DE SÉCURITÉ. LISEZ TOUTES LES INSTRUCTIONS AVANT D'UTILISER VOTRE RÉFRIGÉRATEUR.

www.electromenagersmoffat.ca

AVERTISSEMENT **Risque d'explosion.**

Conservez les matériaux et vapeurs inflammables tels que l'essence à l'écart de votre réfrigérateur. Une explosion, un incendie voire la mort pourrait en résulter.

BRANCHEMENTS ÉLECTRIQUES

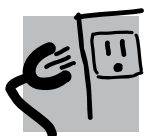
AVERTISSEMENT **Risque de choc électrique.**

Branchez l'appareil dans une prise triple avec terre.

Ne retirez pas la broche de terre.

N'utilisez pas d'adaptateur.

Le non-respect de ces instructions peut entraîner des risques d'incendies, des chocs électriques ou la mort.



Ne coupez pas ou n'enlevez pas, sous aucun prétexte, la troisième broche de mise à la terre du cordon d'alimentation. Pour des raisons de sécurité, cet appareil doit être correctement mis à la terre.

Le cordon d'alimentation de cet appareil est équipé d'une fiche à trois broches (pour une mise à la terre) qui s'adapte à la prise de courant standard à 3 broches (pour une mise à la terre) pour minimiser les risques de chocs électriques par cet appareil.

Faites vérifier la prise murale et le circuit électrique par un électricien qualifié pour s'assurer que le système est correctement mis à la terre.

Dans le cas d'une prise biphasée, l'installateur a la responsabilité et l'obligation de la remplacer par une prise triphasée correctement mise à la terre. N'utilisez pas d'adaptateur.

Le réfrigérateur doit toujours être branché à sa propre prise électrique d'une tension nominale correspondant à celle indiquée sur sa plaque signalétique.

Le rendement de votre réfrigérateur sera meilleur et vous éviterez ainsi de surcharger les circuits électriques et de surchauffer le câblage de votre maison, et évitez ainsi tout risque d'incendie provoqué par des câbles surchauffés.

Ne débranchez jamais le réfrigérateur en tirant sur le cordon d'alimentation. Prenez toujours fermement la fiche en main et tirez pour la sortir de la prise.

Réparez ou remplacez immédiatement tout cordon électrique usé ou endommagé. N'utilisez pas un cordon fissuré ou présentant des dommages dus aux frottements soit sur sa longueur ou aux extrémités.

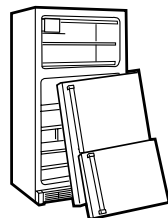
Lorsque vous éloignez votre réfrigérateur du mur, faites attention à ne pas le faire rouler sur le cordon d'alimentation afin de ne pas l'endommager.

MISE AU REBUT APPROPRIÉE DE VOTRE ANCIEN RÉFRIGÉRATEUR

AVERTISSEMENT **Un enfant risque de suffoquer ou d'y être emprisonné.**

Démontez les portes du compartiment de réfrigération et du compartiment de congélation du réfrigérateur, avant de mettre celui-ci au rebut. Le non-respect de cette recommandation peut entraîner l'enfermement d'un enfant qui peut entraîner la mort ou des lésions cérébrales.

IMPORTANT :



Les enfants pris au piège ou morts d'asphyxie sont toujours d'actualité. Les réfrigérateurs jetés ou abandonnés restent dangereux même si vous ne les laissez au rebut que pour « quelques jours ». Si vous voulez jeter votre ancien réfrigérateur, suivez les instructions suivantes pour empêcher les accidents.

Avant de jeter votre ancien réfrigérateur ou congélateur :

- Démontez les portes du compartiment de réfrigération et du compartiment de congélation.

- Laissez les clayettes en place, pour éviter que des enfants puissent facilement grimper dans votre réfrigérateur.

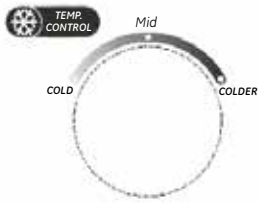
Fluides frigorigènes

Les appareils réfrigérants contiennent des fluides frigorigènes qui conformément à la législation fédérale doivent être retirés avant la mise au rebut de l'appareil. Si vous mettez au rebut un ancien réfrigérateur contenant des fluides frigorigènes, vérifiez la procédure à suivre auprès de la compagnie responsable de l'élimination.



**LISEZ ET SUIVEZ SOIGNEUSEMENT CES MESURES DE SÉCURITÉ.
CONSERVEZ CES INSTRUCTIONS**

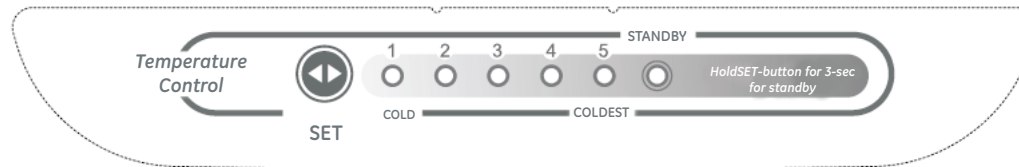
À propos du bouton de commande du réfrigérateur



Commande de température du congélateur

Min correspond à Froid
Middle correspond à Normal
Max correspond à Le plus froid

Une commande de température se trouve dans les compartiments réfrigérateur et congélateur. Au début, réglez les commandes aux valeurs normales recommandées pour les compartiments réfrigérateur et congélateur. Allouez 24 heures pour la stabilisation de la température.



Commande de température du réfrigérateur

1 correspond à Froid
5 correspond à Le plus froid

Réglage des commandes

Commande du réfrigérateur

En mettant l'appareil sous tension pour la première fois, tous les voyants s'allument pendant 3 secondes. Le réglage d'usine 3 s'affiche après 3 secondes.

Vous pouvez changer le réglage en appuyant sur la touche SET (réglage). Chaque fois que vous appuyez sur la touche, le réglage augmente de 1. Appuyez sur la touche jusqu'à ce que le réglage désiré s'affiche. Ajustez les commandes d'un incrément à la fois pour déterminer votre réglage préféré. Attendez 12 heures pour que la température du réfrigérateur atteigne la température que vous avez programmée. Le réglage 1 est le niveau de température le plus chaud alors que le réglage 5 est le niveau le plus froid.

Mode veille

Lorsque le réfrigérateur est en marche (ON), appuyer sur la touche SET (réglage) pendant 3 secondes permet de mettre le réfrigérateur en mode veille (le voyant du mode veille s'allumera). Le réglage en mode veille arrêtera le refroidissement des compartiments réfrigérateur et congélateur, mais ne coupe pas l'alimentation électrique du réfrigérateur.

Pour retourner au fonctionnement normal, appuyez sur la touche SET (réglage). Le voyant de mise en veille s'éteindra et le réfrigérateur retournera au dernier réglage.

Après chaque réglage, vérifiez les deux compartiments, réfrigérateur et congélateur. Une modification de la commande réfrigérateur aura un effet sur la température du compartiment congélateur. L'inverse est aussi vrai, une modification de la commande congélateur aura un effet sur la température du compartiment réfrigérateur.

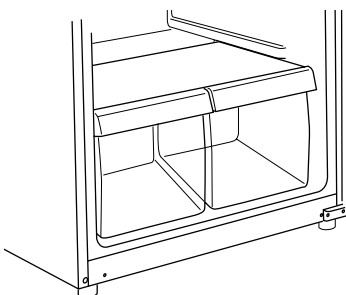
Les réglages vont varier en fonction de vos préférences et des conditions d'utilisation, et ils peuvent nécessiter plus d'un ajustement. Parmi les facteurs qui influencent la température, mentionnons la quantité de nourriture dans les compartiments réfrigérateur et congélateur, la fréquence d'ouverture des portes et la température de l'aliment lorsqu'il est placé dans un des compartiments.

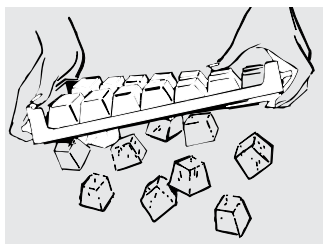
À propos des bacs de rangement

Bacs à légumes et à fruits

Ces bacs de rangement procurent de l'espace pour les fruits, les légumes et la viande.

Pour enlever et replacer les bacs et le couvercle au-dessus d'eux, la porte doit être entièrement ouverte. Dans certaines installations, il peut s'avérer nécessaire d'éloigner le réfrigérateur du mur pour obtenir une ouverture totale de la porte.





Moules à glaçons

Pour produire de la glace, remplissez le moule à glaçons avec de l'eau et placez-le sur une surface de niveau dans le compartiment congélateur. Les cubes de glace se formeront en quelques heures.

Pour libérer les cubes, tournez le moule à l'envers en le maintenant au-dessus d'un récipient et tordez les deux extrémités.

Pour obtenir un ou deux cubes seulement, tenez le moule à l'endroit, tordez-le légèrement et sortez le nombre de glaçons dont vous avez besoin.

Lavez les moules à glaçons avec de l'eau tiède seulement. Ne les placez pas dans un lave-vaisselle automatique.

Entretien et nettoyage de votre réfrigérateur

Nettoyage de l'extérieur

Conservez l'extérieur propre. Essuyez avec un linge propre légèrement humecté de détergent liquide à vaisselle doux. Séchez et polissez avec un linge doux, propre.

N'essuyez pas la porte en acier inoxydable avec un linge à vaisselle souillé ou une serviette mouillée. Ils peuvent laisser un résidu susceptible d'éroder le fini. N'utilisez pas de tampons à récurer, de nettoyeurs en poudre, de javellisants ni de nettoyeurs qui contiennent du javellisant puisque ces produits peuvent rayer et détériorer le fini. Utilisez uniquement un nettoyeur liquide exempt d'abrasif et frottez dans la direction des lignes de brosse.

La porte et la poignée de porte en acier inoxydable peuvent se nettoyer à l'aide d'un nettoyeur pour acier inoxydable offert dans le commerce. Les nettoyeurs à l'acide oxalique (p.ex. le produit Bar Keepers Friend Soft Cleanser) vont enlever la rouille, le calcaire et autres ternissements. N'utilisez pas de cire ou de poli pour électroménagers sur de l'acier inoxydable.

Protection de la peinture de finition.

L'extérieur du réfrigérateur est revêtu d'une peinture de haute qualité cuite au four. Avec un entretien approprié, il gardera son aspect neuf exempt de rouille pendant de nombreuses années. Appliquez une couche de cire pour cuisine/électroménagers à la réception du réfrigérateur, puis au moins deux fois l'an par la suite.

Nettoyage de l'intérieur

Pour aider à empêcher les odeurs, laissez une boîte ouverte de bicarbonate de soude dans les compartiments réfrigération et congélation.

Débranchez votre réfrigérateur avant de le nettoyer.

Si ce n'est pas pratique, enlevez toute humidité au moyen d'une éponge ou d'un chiffon pour nettoyer autour des commutateurs, des lumières ou des réglages.

Utilisez une solution d'eau chaude et de bicarbonate de soude — environ une cuillère à soupe (15 ml) de bicarbonate de soude pour 1 litre (une pinte) d'eau. Cette solution nettoie tout en neutralisant les odeurs. Rincez et séchez en essuyant.

Les autres pièces du réfrigérateur — incluant les joints de porte, les bacs à fruits et légumes et toutes les pièces en plastique — peuvent être nettoyées de la même manière.

Après avoir nettoyé les joints de porte, appliquez une mince couche de vaseline sur les joints du côté charnières afin de les empêcher de coller et de se déformer. N'utilisez pas de nettoyeurs en poudre ni d'autres nettoyeurs abrasifs.

Ne lavez aucune pièce en matière plastique de votre réfrigérateur dans votre lave-vaisselle.

Évitez de nettoyer les clayettes froides en verre (sur certains modèles) à l'eau chaude, parce qu'elles risquent de se casser à cause de la grande différence de températures. Manipulez avec soins le verre. Vous pouvez briser en éclats le verre trempé en le heurtant.

Remplacement de l'ampoule

! AVERTISSEMENT : L'ampoule peut être chaude. Avant de remplacer une ampoule grillée, débranchez le réfrigérateur pour éviter tout contact avec un filament sous tension. (Une ampoule grillée peut se briser lorsqu'on la remplace.)
Tourner le bouton de commande à la position OFF (arrêt) ne coupe pas l'alimentation de l'éclairage.
Puissance maximale de l'ampoule : 40 W

- 1 Débranchez le réfrigérateur.
- 2 L'ampoule est située dans le haut du compartiment réfrigérateur. Dévissez la vis pour retirer le couvercle de la lumière.
- 3 Remplacez l'ampoule par une nouvelle ampoule de puissance identique ou inférieure.
- 4 Remettez en place le couvercle de la lumière en utilisant la vis.

5 Rebranchez le réfrigérateur.

ATTENTION

L'utilisation d'une ampoule d'un calibre supérieur à 40 W risque d'endommager le boîtier de la commande et la lentille de la lampe.

Avant de partir en vacances

Pour de longues vacances ou absences, enlevez tous vos aliments et débranchez votre réfrigérateur. Nettoyez l'intérieur avec une solution d'eau et de bicarbonate de soude, à raison d'une cuillère à soupe (15 ml) de bicarbonate de soude pour 1 litre (une pinte) d'eau. Laissez les portes ouvertes.

Avant un déménagement

Enlevez tous vos aliments et débranchez votre réfrigérateur. Attachez tous les articles mobiles tels que les tablettes et les bacs en les enrubannant en place afin de prévenir les dommages.

Assurez-vous que le réfrigérateur reste en position verticale durant le déménagement.

Instructions d'installation

Réfrigérateur

Modèle MTS18

Si vous avez des questions, composez le 1 800 561-3344 ou consultez notre site Web à www.electromenagersmoffat.ca.

AVANT DE COMMENCER

Veuillez lire toutes les directives attentivement.

- **IMPORTANT** – Conservez ces instructions pour l'inspecteur local.
- **IMPORTANT** – Respectez toutes les ordonnances et les codes locaux.
- **Note à l'installateur** – Assurez-vous de laisser ces instructions au consommateur.
- **Note au consommateur** – Conservez ces instructions pour référence future.
- Niveau de compétence – L'installation de cet appareil nécessite des compétences mécaniques de base.
- Temps d'installation – Installation du réfrigérateur:
15 minutes
- L'installateur est responsable de bien installer ce réfrigérateur.
- Toute panne du produit due à une mauvaise installation n'est pas couverte par la garantie.

EXIGENCES CONCERNANT L'EMPLACEMENT D'INSTALLATION

- N'installez jamais votre réfrigérateur dans un emplacement où la température ambiante sera inférieure à 13 °C (55 °F). Il ne se mettra pas en marche suffisamment souvent pour maintenir des températures convenables.
- Installez votre réfrigérateur sur un plancher suffisamment solide pour le porter lorsqu'il est plein.

DÉGAGEMENTS

- Installation amovible seulement.
- Si le réfrigérateur est installé à proximité d'un mur, laissez suffisamment d'espace du côté charnière pour permettre une ouverture de porte qui permettra l'accès aux bacs du compartiment réfrigérateur.
- N'installez pas le réfrigérateur à moins de 5 po (de la cuisinière).
- Dégagements minimaux :

Arrière	2 po du mur
Côtés	3/4 po
Haut	3/4 po

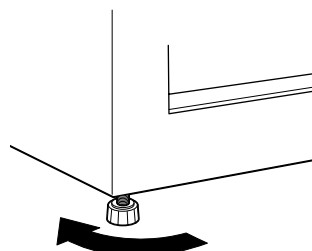
DÉBALLAGE DU RÉFRIGÉRATEUR

- Retirez le ruban adhésif et toute étiquette (sauf l'étiquette des spécifications) du réfrigérateur. Les résidus de ruban ou de colle peuvent se dégager en frottant une petite quantité de savon à vaisselle liquide sur l'adhésif avec les doigts. Essayez avec un chiffon imbibé d'eau chaude puis asséchez.
- N'utilisez pas d'instruments coupants, d'alcool à friction, de liquides inflammables ni de nettoyeurs abrasifs pour enlever le ruban ou la colle. Ces produits peuvent endommager la surface de votre réfrigérateur.
- Lors de son déplacement, ne penchez pas le réfrigérateur de plus de 45° par rapport à sa position droite.

PIEDS DE NIVELLEMENT

Les **pieds ajustables** dans les coins avant du réfrigérateur doivent être ajustés de façon que le réfrigérateur repose solidement contre le plancher; il faut aussi que l'avant soit légèrement plus haut afin que les portes se ferment aisément lorsqu'elles sont ouvertes à mi-course.

Pour ajuster les pieds, tournez-les dans le **sens des aiguilles d'une montre** pour abaisser le réfrigérateur, et dans le **sens inverse** pour le soulever.



Pour soulever le réfrigérateur

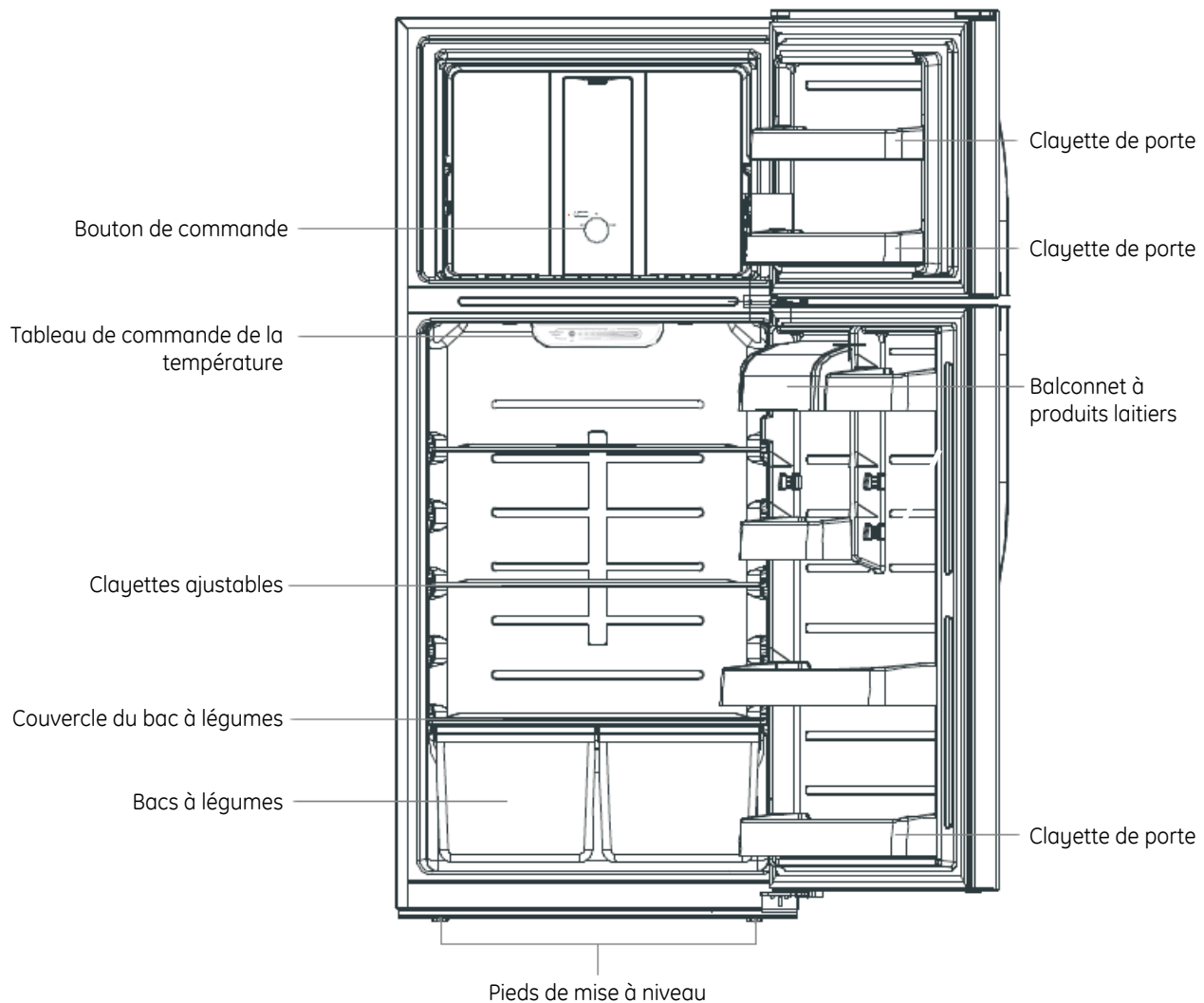
CORDON D'ALIMENTATION

- Branchez le cordon d'alimentation du réfrigérateur dans sa propre prise murale correctement mise à la terre; la spécification de tension de la prise doit correspondre à celle figurant sur la fiche signalétique du réfrigérateur.
- N'utilisez pas une rallonge.
- Lisez les consignes de sécurité des pages 22 et 23.

1 po = 2,5 cm; 1 pi = 0,3 m

Instructions d'installation

COMPOSANTS DU RÉFRIGÉRATEUR (les caractéristiques et l'apparence peuvent varier)



* Toutes les images de ce manuel sont fournies à titre indicatif; veuillez vous référer à votre appareil pour plus de détails.

Instructions d'installation

INVERSION DE LA PORTE

REMARQUES IMPORTANTES

Lorsque vous inversez la porte :

- Lisez bien toutes les instructions avant de commencer.
- Manipulez les pièces avec précaution pour éviter de rayer la peinture.
- Posez les vis à côté des pièces auxquelles elles correspondent pour éviter de les utiliser au mauvais endroit.
- Aménagez un espace qui ne présente aucun risque de rayure pour la porte.

IMPORTANT : Une fois l'inversion commencée, ne déplacez pas le réfrigérateur jusqu'à ce que l'inversion soit terminée.

Ces instructions indiquent comment inverser les charnières de la droite vers la gauche. Si vous souhaitez mettre les charnières du côté droit, suivez les mêmes instructions en inversant toutes les références faites aux côtés droit et gauche.

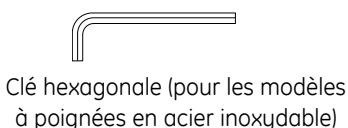
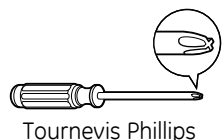
Débranchez le réfrigérateur de la prise murale.

REMARQUE : Ne laissez aucune des deux portes tomber sur le sol. Cela pourrait endommager la butée de porte.

ATTENTION Risque lié au levage

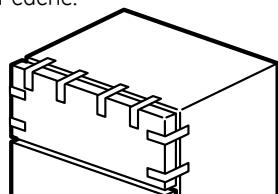
Les portes du compartiment des aliments frais et du compartiment congélateur sont lourdes. Utilisez vos deux mains pour les soulever.

OUTILS DONT VOUS AUREZ BESOIN



1 RETIRER LA PORTE DU COMPARTIMENT CONGÉLATEUR

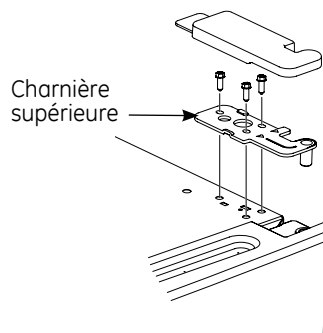
1. Retirez tous les aliments des bacs situés à l'intérieur de la porte.
2. Immobilisez la porte en position fermée au moyen de ruban-cache.



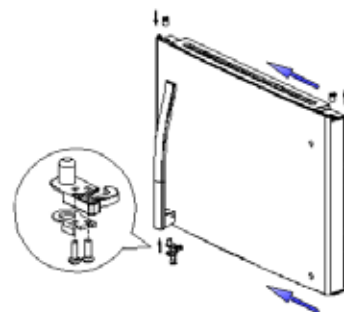
3. Enlevez le couvre-charnière sur le dessus de la porte du congélateur avec un tournevis à lame fine.

1 RETIRER LA PORTE DU COMPARTIMENT CONGÉLATEUR (SUITE)

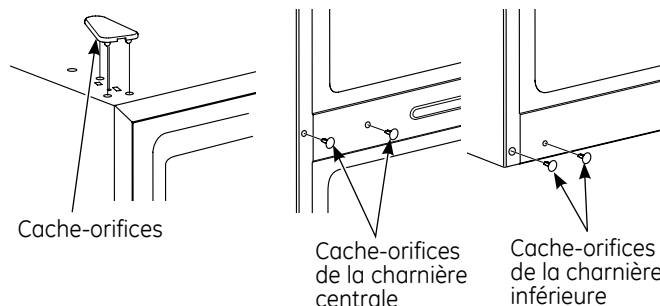
4. Retirez les trois vis avec une clé à douille munie d'un cliquet de 5/16 po, puis soulevez la charnière vers le haut pour libérer l'axe de son logement.



5. Enlevez le ruban-cache et inclinez la porte à une bonne distance du caisson. Soulevez la porte pour la dégager de l'axe de la charnière centrale.
6. Transférez la bague en plastique du côté droit du haut de la porte du congélateur au côté gauche.



7. Enlevez le cache-orifices à l'aide d'un couteau à mastic du côté opposé aux trois charnières.



8. Posez la porte, face intérieure vers le haut, sur une surface qui ne risque pas de la rayer.

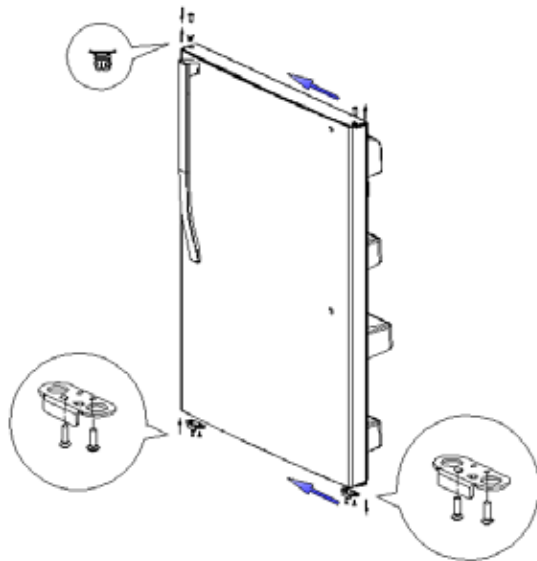
1 po = 2,5 cm; 1 pi = 0,3 m

Instructions d'installation

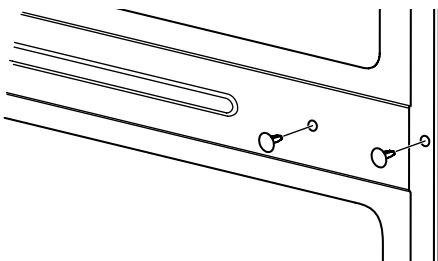
INVERSION DE LA PORTE (SUITE)

2 RETIRER LA PORTE DU COMPARTIMENT RÉFRIGÉRATEUR

1. Retirez tous les aliments des bacs situés à l'intérieur de la porte.
2. Immobilisez la porte en position fermée au moyen de ruban-cache.
3. Retirez la charnière centrale en enlevant les 2 vis qui la retiennent à l'aide d'une clé à douille munie d'un cliquet de 5/16 po. Conservez la charnière centrale et les vis.
4. Enlevez le ruban-cache et inclinez la porte à une bonne distance du caisson. Soulevez la porte vers le haut pour libérer son logement inférieur de l'axe situé dans le support de la charnière inférieure.
5. Transférez la bague en plastique du côté droit du haut de la porte du réfrigérateur au côté gauche.

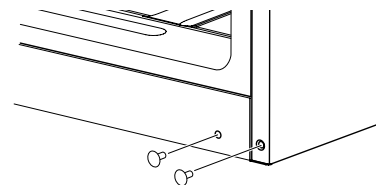
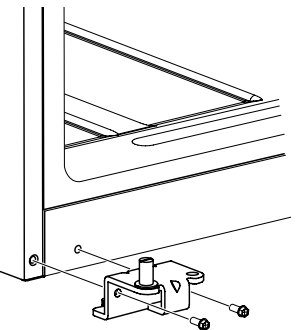
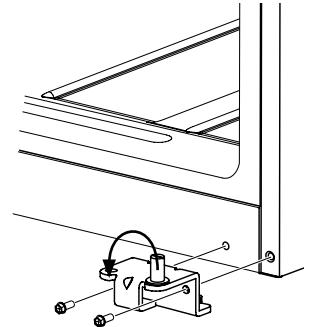


6. Posez la porte, face intérieure vers le haut, sur une surface qui ne risque pas de la rayer.
7. Installez les 2 cache-orifices du côté opposé du caisson sur les trous de vis libérés par le retrait de la charnière centrale.



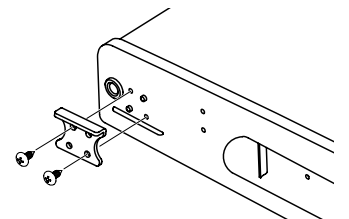
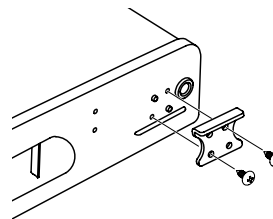
3 TRANSFÉRER LA CHARNIÈRE INFÉRIEURE VERS LA GAUCHE

1. À l'aide de la clé à douille munie d'un cliquet de 5/16 po, retirez les 2 vis de la charnière inférieure.
2. Transférez l'axe de la charnière inférieure du côté droit au côté gauche à l'aide d'un tournevis à lame fine jusqu'à ce que l'épaulement de l'axe de la charnière entre en contact avec la charnière.
3. Transférez la charnière inférieure du côté droit au côté gauche et fixez-la avec les 2 vis.
4. Installez les 2 cache-orifices du côté opposé du caisson sur les trous de vis libérés par le retrait de la charnière inférieure.



4 TRANSFÉRER LA BUTÉE DE LA PORTE VERS LA GAUCHE

1. Sur les portes du réfrigérateur et du congélateur, retirez les vis des butées des portes de droite avec un tournevis Phillips.
2. Installez les butées sur les deux portes du côté gauche.



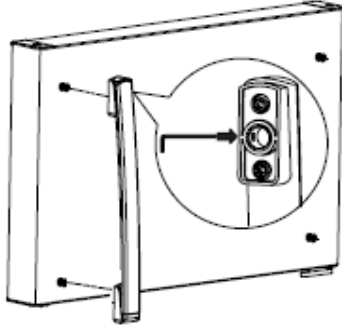
1 po = 2,5 cm; 1 pi = 0,3 m

Instructions d'installation

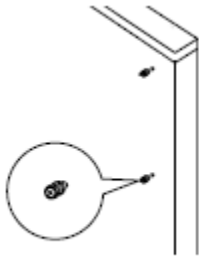
INVERSION DE LA PORTE (SUITE)

5 INVERSION DES POIGNÉES DE PORTE - TRANSFÉRER LA POIGNÉE DE PORTE DU COMPARTIMENT CONGÉLATEUR SUR LE CÔTÉ GAUCHE

1. Desserrez les vis de montage de la poignée à l'aide d'une clé de 1/8 po et retirez la poignée.



2. Retirez la fixation de la poignée du congélateur et bouchez l'orifice de la vis que vous venez de créer.
3. Retirez le capuchon cache-trou du côté droit de la porte du réfrigérateur et insérez la fixation avec un tournevis Phillips.

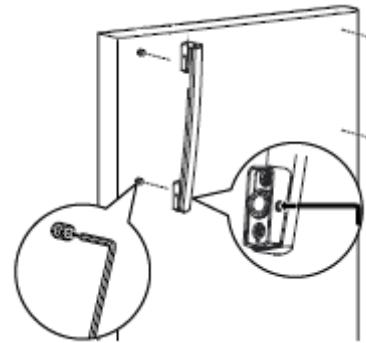


4. Fixez la poignée de la porte du congélateur avec des vis dans la partie supérieure de la poignée. Utilisez une clé hexagonale de 1/8 po pour serrer les vis de montage.

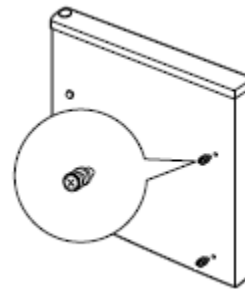
REMARQUE : Ne pas trop serrer.

6 INVERSION DES POIGNÉES DE PORTE - TRANSFÉRER LA POIGNÉE DE PORTE DU COMPARTIMENT RÉFRIGÉRATEUR SUR LE CÔTÉ GAUCHE

1. Desserrez les vis de montage de la poignée à l'aide d'une clé de 1/8 po et retirez la poignée.

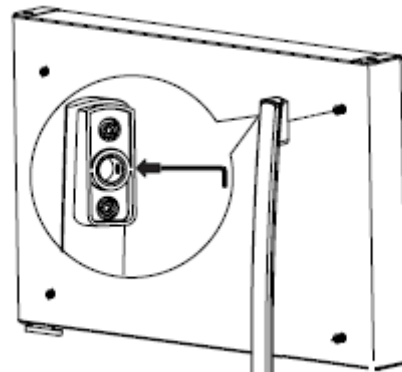


2. Retirez la fixation de la poignée du réfrigérateur et bouchez l'orifice de la vis que vous venez de créer avec le capuchon du côté opposé.
3. Insérez la fixation dans la surface du côté droit de la porte du congélateur avec un tournevis Phillips.



4. Fixez la poignée de la porte du congélateur avec des vis de montage. Utilisez une clé hexagonale de 1/8 po pour serrer les vis de montage.

REMARQUE : Ne pas trop serrer.

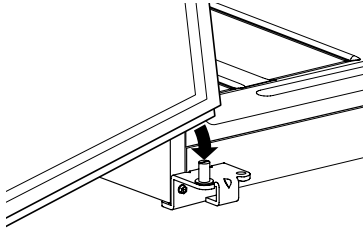


1 po = 2,5 cm; 1 pi = 0,3 m

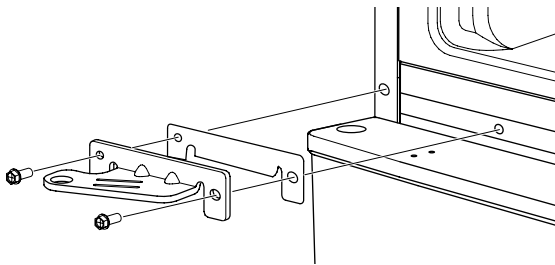
INVERSION DE LA PORTE (SUITE)

7 RÉINSTALLATION DE LA PORTE DU COMPARTIMENT RÉFRIGÉRATEUR

1. Faites descendre la porte du réfrigérateur sur l'axe de la charnière inférieure.

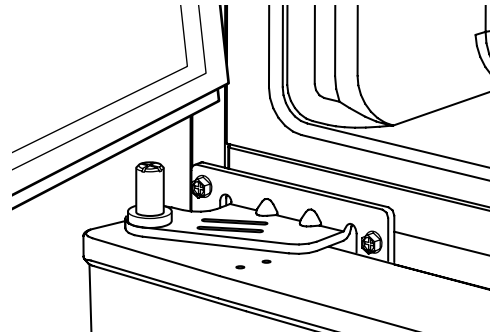


2. Tout en maintenant la porte fermement, utilisez la nouvelle charnière centrale gauche de la trousse d'accessoires et insérez l'axe de la charnière dans le logement de la porte. Avec une clé à douille munie d'un cliquet de 5/16 po, fixez la charnière centrale à l'aide de deux vis.

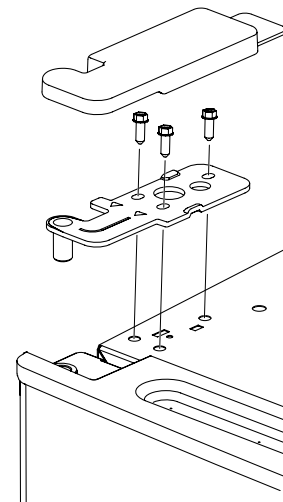


8 RÉINSTALLATION DE LA PORTE DU COMPARTIMENT CONGÉLATEUR

1. Faites descendre la porte du congélateur sur l'axe de la charnière centrale.



2. Placez la charnière supérieure gauche de façon à ce que l'axe soit ajusté au logement de la porte. (La charnière supérieure gauche et le couvre-charnière peuvent être trouvés à l'intérieur du réfrigérateur. Appelez votre fournisseur de service Moffat au 800 561-3344 s'il manque des pièces.) Soutenez la porte sur le côté de la poignée et assurez-vous que la porte est bien droite et que l'écart entre les portes est égal sur leur face avant. En tenant la porte en place, serrez les vis de la charnière supérieure. Veillez à ne pas trop serrer ces vis. Serrez-les jusqu'à ce qu'elles soient légèrement serrées, puis vissez-les d'un autre demi-tour.



3. Enclenchez le couvre-charnière sur la charnière supérieure.

1 po = 2,5 cm; 1 pi = 0,3 m

Bruits normaux de fonctionnement



Les réfrigérateurs plus récents font des bruits différents de ceux des anciens. Les réfrigérateurs modernes présentent plus de fonctions et sont plus avancés sur le plan technologique.

Entendez-vous ce que j'entends? Ces bruits sont normaux

HUMMM... WOUUCH...

- Le nouveau compresseur à rendement élevé peut fonctionner plus longtemps et plus vite que votre ancien réfrigérateur et vous pouvez entendre un son modulé ou un ronflement aigu pendant son fonctionnement.
- Vous pouvez entendre un sifflement lorsque les portes se ferment. Cela vient de l'équilibrage de pression dans le réfrigérateur.

OUIR !



- Vous pouvez entendre les ventilateurs tourner à hautes vitesses. Cela se produit lorsque le réfrigérateur vient d'être branché, lorsque les portes sont ouvertes fréquemment ou lors de l'ajout d'une grande quantité d'aliments dans les compartiments congélateur ou réfrigérateur. Les ventilateurs permettent de maintenir les bonnes températures.

CLICS, CLAQUEMENTS, CRAQUEMENTS et GRÉSILLEMENTS

- Vous pouvez entendre des craquements ou des claquements lorsque le réfrigérateur est branché pour la première fois. Cela se produit lorsque le réfrigérateur se refroidit à la bonne température.
- Le compresseur peut causer un clic ou un grésillement lors de la tentative de redémarrage (cela peut prendre 5 minutes).
- L'expansion et la contraction des serpentins de refroidissement pendant et après le dégivrage peuvent causer un craquement ou un claquement.
- Sur les modèles équipés d'une machine à glaçons, après un cycle de fabrication de glaçons, vous pouvez entendre les glaçons tomber dans le bac.

BRUITS D'EAU



- Le passage de l'agent frigorigère dans les serpentins de refroidissement du congélateur peut être accompagné d'un gargouillement semblable à celui de l'eau en ébullition.
- L'eau tombant sur l'élément chauffant de dégivrage peut faire un bruit de grésillement, de claquement ou de bourdonnement pendant le cycle de dégivrage.
- Un bruit de suintement d'eau peut être entendu pendant le cycle de dégivrage lorsque la glace de l'évaporateur fond et tombe dans le bac de récupération.
- Fermer la porte peut causer un gargouillement en raison de l'équilibrage de pression.



En cas de panne
Économisez votre temps et votre argent! Consultez les tableaux des pages suivantes, vous éviterez peut-être d'appeler un réparateur.

Problème	Causes possibles	Solutions
Le réfrigérateur ne fonctionne pas	Le réfrigérateur est au cycle dégivrage.	Attendez environ 30 minutes pour la fin du cycle dégivrage.
	Le réfrigérateur est débranché.	Insérez complètement la fiche dans la prise.
	Le fusible est grillé/le disjoncteur est déclenché.	Remplacez le fusible ou réarmez le disjoncteur.
Vibration ou cliquetis (une légère vibration est normale)	Les pieds de nivellement avant doivent être ajustés.	Consultez la section <i>Pieds de nivellement</i> .
Le moteur fonctionne pendant de longues périodes ou se met en marche et s'arrête fréquemment (Les réfrigérateurs modernes, qui ont davantage d'espace de rangement et un compartiment congélation plus grand, nécessitent plus de temps de fonctionnement. Ils se mettent en marche et s'arrêtent souvent pour maintenir des températures constantes.)	C'est normal quand on met en marche le réfrigérateur pour la première fois.	Attendez 24 heures que le réfrigérateur se refroidisse complètement.
	Cela arrive souvent quand on met beaucoup d'aliments dans le réfrigérateur.	Ceci est normal.
	La porte est restée ouverte.	Vérifiez si un emballage empêche la fermeture de la porte.
	Température ambiante élevée ou ouvertures fréquentes de la porte.	Ceci est normal.
	La commande de température est réglée à la valeur la plus froide.	Consultez la section <i>À propos du bouton de commande du réfrigérateur</i> .
Le compartiment réfrigérateur ou congélateur est trop chaud	La commande de température n'a pas été placée à un réglage suffisamment froid.	Consultez la section <i>À propos du bouton de commande du réfrigérateur</i> .
	Température ambiante élevée ou ouvertures fréquentes de la porte.	Ajustez la commande de la température à un réglage plus froid. Consultez la section <i>À propos du bouton de commande du réfrigérateur</i> .
	La porte est restée ouverte.	Vérifiez si un emballage empêche la fermeture de la porte.
Du givre ou des cristaux de glace se forment sur les aliments congelés (la présence de givre à l'intérieur des emballages est normale)	La porte est restée ouverte.	Vérifiez si un emballage empêche la fermeture de la porte.
	Vous ouvrez la porte trop souvent ou trop longtemps.	
Les glaçons ont une odeur ou un goût désagréable	L'odeur/le goût désagréable des glaçons provient d'aliments.	Emballer bien les aliments.
	L'intérieur du réfrigérateur a besoin d'être nettoyé.	Consultez <i>Entretien et nettoyage</i>
La formation des glaçons est lente	La porte est restée ouverte.	Vérifiez si un emballage empêche la fermeture de la porte.
	Le réglage de la commande de température n'est pas suffisamment froid.	Consultez la section <i>À propos du bouton de commande du réfrigérateur</i> .
Le réfrigérateur dégage de mauvaises odeurs	Des aliments dégagent des odeurs.	Les aliments qui dégagent une forte odeur doivent être bien emballés. Gardez une boîte de bicarbonate de soude ouverte dans le réfrigérateur et remplacez-la tous les trois mois.
	L'intérieur a besoin d'un nettoyage.	Consultez <i>Entretien et nettoyage</i>
De l'humidité se forme sur l'extérieur du réfrigérateur	C'est normal pendant les périodes de grande humidité.	Essuyez complètement la surface.

Avant d'appeler un réparateur...



En cas de panne
Économisez votre temps et votre argent! Consultez les tableaux des pages suivantes, vous éviterez peut-être d'appeler un réparateur.

Problème	Causes possibles	Solutions
<i>De l'humidité se forme à l'intérieur (quand il fait humide, l'air transporte de l'humidité à l'intérieur du réfrigérateur quand vous ouvrez les portes)</i>	Vous ouvrez les portes trop souvent ou trop longtemps.	
<i>La lampe intérieure ne fonctionne pas</i>	Pas de courant à la prise électrique.	Remplacez le fusible ou réarmez le disjoncteur.
	L'ampoule est grillée.	Consultez la section <i>Remplacement de l'ampoule</i> .
<i>Les aliments gèlent dans le réfrigérateur</i>	Les aliments sont trop proches de l'évent à l'arrière du réfrigérateur.	Éloignez les aliments de l'évent.
	Le réglage de la commande du réfrigérateur est trop froid.	Réglez la commande à une température plus chaude, d'une unité à la fois. Consultez la section <i>À propos du bouton de commande du réfrigérateur</i> .
<i>De la rouille, du ternissement ou de la saleté est visible sur les portes en acier inoxydable</i>	Environnement humide ou air salé.	Nettoyez l'acier inoxydable à l'aide de nettoyeurs qui contiennent de l'acide oxalique (ex. : la marque Bar Keepers Friend Soft Cleanser) pour enlever la rouille, le calcaire et les autres ternissements. N'essuyez pas le réfrigérateur avec un linge à vaisselle souillé ou une serviette mouillée. N'utilisez pas de tampons à récurer, de nettoyeurs en poudre, de javellisants ni de nettoyeurs qui contiennent du javellisant puisque ces produits peuvent rayer et détériorer le fini.

Please place in envelope and mail to:
Veuillez mettre dans une enveloppe et envoyez à :

**OWNERSHIP REGISTRATION
P.O. BOX 1780
MISSISSAUGA, ONTARIO
L4Y 4G1**

(FOR CANADIAN CONSUMERS ONLY)



For Canadian
Customers



Pour les
Consommateurs
Canadiens

CUT ALONG THIS LINE AND RETURN CARD — THANKS

OWNERSHIP REGISTRATION CERTIFICATE – FICHE D'INSCRIPTION DU PROPRIÉTAIRE

Please register your product to enable us to contact you in the remote event a safety notice is issued for this product and to allow for efficient communication under the terms of your warranty, should the need arise.
Veuillez enregistrer votre produit afin de nous permettre de communiquer avec vous si jamais un avis de sécurité concernant ce produit était émis et de communiquer facilement avec vous en vertu de votre garantie, si le besoin s'en fait sentir.

REGISTER ON-LINE: www.geappliances.ca MAIL TO: **P.O. BOX 1780, MISSISSAUGA**

ENREGISTREMENT SUR INTERNET À: www.electromenagersge.ca POSTER À: **ONTARIO, L4Y 4G1**

MR. / M MRS. / MME. FIRST NAME / PRÉNOM LAST NAME / NOM
 MISS/Mlle. MS.

STREET NO / N° RUE STREET NAME / RUE APT.NO/APP./RR#

CITY / VILLE PROVINCE POSTAL CODE POSTAL

AREA CODE / IND. REG. TELEPHONE E-MAIL

DID YOU PURCHASE A SERVICE CONTRACT FOR THIS APPLIANCE? YES/OUI IF YES/SI OUI : EXPIRATION
AVEZ-VOUS ACHETÉ UN CONTRAT DE SERVICE POUR CET APPAREIL ? NO/NON Y/A M DU

NAME OF SELLING DEALER / NOM DU MARCHAND MODEL / MODÈLE

INSTALLATION DATE / DATE D'INSTALLATION CORRESPONDENCE ENGLISH
Y/A M DU CORRESPONDANCE FRANÇAIS SERIAL / SÉRIE

I do not wish to receive any promotional offers regarding this product.
Je ne désire pas recevoir d'offres promotionnelles concernant ce produit.

Garantie du réfrigérateur.

Toutes les réparations sous garantie sont effectuées par nos Centres de réparation ou par nos réparateurs agréés Customer Care®. Pour planifier la visite d'un réparateur, composez le 1-800-561-3344. Veuillez avoir les numéros de série et de modèle de votre appareil à portée de main lorsque vous appelez pour obtenir un service.

Agrafez votre facture ici. Une preuve de la date d'achat d'origine est requise pour obtenir des services sous garantie.

Pendant la période de : MC Commercial Inc. remplacera :

Un an À compter de la date d'achat d'origine	Toute pièce du réfrigérateur qui se révèle défectueuse en raison d'un vice de matériau ou de fabrication. Au cours de cette garantie limitée d'un an , MC Commercial Inc. fournira également sans frais , tous les coûts de main-d'œuvre et de service liés au remplacement de la pièce défectueuse.
--	---

Ce que MC Commercial Inc. ne couvre pas :

- Toute visite à votre domicile pour vous expliquer le fonctionnement de l'appareil.
- Une installation, une livraison ou un entretien inadéquats.
- Toute défectuosité du produit lorsqu'il a été utilisé de façon abusive ou inadéquate, ou employé à toute autre fin que celle pour laquelle il a été conçu, ou utilisé à des fins commerciales.
- Les aliments avariés.
- Le remplacement des fusibles ou le réenclenchement des disjoncteurs du panneau de distribution de votre résidence.
- Dommage causé après la livraison.
- Le remplacement de la cartouche du filtre à eau (le cas échéant) causé par une pression d'eau qui dépasse les limites spécifiées ou un remplacement causé par un excès de sédiments dans l'alimentation en eau.
- Le remplacement des ampoules (le cas échéant) ou de la cartouche du filtre à eau (le cas échéant) pour une autre raison que celles citées ci-dessus.
- Tout dommage au produit attribuable à un accident, un incendie, une inondation ou une catastrophe naturelle.
- Tout dommage accessoire ou indirect, causé par des défaillances possibles de l'appareil.
- Tout produit auquel il n'est pas possible d'accéder pour effectuer les réparations nécessaires.

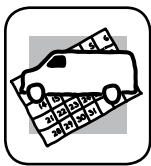
EXCLUSION DES GARANTIES IMPLICITES : votre seul et unique recours est de faire réparer le produit dans le cadre de cette garantie limitée. Toute garantie implicite, incluant la garantie de qualité marchande ou d'aptitude du produit à un usage particulier, est limitée à un an ou à la période la plus courte autorisée par la loi.

Cette garantie est offerte à l'acheteur initial, ainsi qu'à tout propriétaire subséquent d'un produit acheté au Canada en vue d'une utilisation domestique au Canada.

Le service à domicile couvert par la garantie sera fourni dans les régions où il est disponible et où MC Commercial Inc. estime raisonnable de l'offrir.

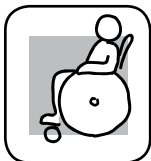
Garant : MC Commercial Inc., Burlington, ON L7R 5B6

Soutien au consommateur.



Demande de réparation

Le service d'un réparateur expert n'est qu'à un pas de chez vous.
Téléphonez au 1 800 561-3344 durant les heures normales de bureau.



Centre de conception universelle

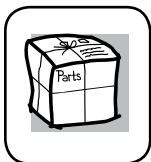
Nous soutenons la conception universelle : produits, services et environnements à la portée de tous, quels que soient leur âge, taille ou capacités mentales et physiques. Nous avons conscience qu'il est nécessaire d'adapter nos produits à toute la variété de capacités et de handicaps physiques et mentaux existants. Pour plus de détails sur les applications de conception universelle, dont la conception de cuisines pour les personnes atteintes d'un handicap, consultez notre site Web dès aujourd'hui.

Écrivez-nous à : Directeur, relations-clients, MC Commercial Inc.
Bureau 310, 1 Factory Lane
Moncton, N.-B. E1C 9M3



Garanties prolongées

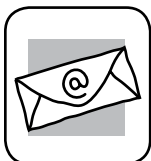
Veillez consulter la liste des fournisseurs de votre région pour profiter des garanties prolongées.



Pièces et accessoires

Consultez les pages jaunes pour connaître le distributeur de pièces autorisé le plus près de chez vous ou téléphonez au 1 800 661-1616.

Les directives stipulées dans le présent manuel comportent des procédures que n'importe quel utilisateur peut effectuer. Les autres types de réparation doivent généralement être confiés à un technicien qualifié. Faites preuve de prudence, car une réparation ou un entretien mal effectué peut rendre l'utilisation de l'appareil dangereuse.



Communiquez avec nous

Si vous n'êtes pas satisfait du service après-vente que vous recevez, communiquez avec nous sur notre site Web en fournissant tous les détails et votre numéro de téléphone ou écrivez à :

Directeur, relations-clients, MC Commercial Inc.
Bureau 310, 1 Factory Lane
Moncton, N.-B. E1C 9M3



Enregistrez votre appareil

www.electromenagersmoffat.ca

Enregistrez votre nouvel appareil en ligne au moment qui vous convient le mieux! L'enregistrement de votre produit dans les délais prescrits permet une meilleure communication et un service rapide, selon les modalités de votre garantie, si besoin est.

Vous pouvez également envoyer par courrier la carte d'enregistrement préimprimée qui se trouve dans l'emballage de votre appareil.