



Dryers

Safety Instructions	2-5
Installation Instructions	6-20
Electric Dryer	6-12
Gas Dryer	13-19
Reversing the Door	20
Operating Instructions	21-25
Control Panel	21, 22
Control Settings	23
Dryer Features	24
Loading and Using the Dryer	25
Troubleshooting Tips	26, 27
Consumer Support	29, 30
Consumer Support	30
Warranty	29

Use and Care

With Installation Instructions.

Note to Consumer:

This product was verified to be in excellent condition when it left our manufacturing facility. If it has been damaged during transit or installation, please report that damage immediately to the Retail Outlet where it was purchased. Although your warranty covers manufacturing defects in material or workmanship, it does not include coverage for delivery damage. Please refer to your warranty section for specific information about warranty terms and conditions.

Write the model and serial numbers here:

Model# _____

Serial # _____

They are on the label on the front of the dryer behind the door.

IMPORTANT SAFETY INFORMATION

READ ALL INSTRUCTIONS BEFORE USING

⚠ WARNING!

For your safety, the information in this manual must be followed to minimize the risk of fire or explosion, electric shock, or to prevent property damage, personal injury, or death.

- *Do not store or use gasoline or other flammable vapors and liquids in the vicinity of this or any other appliance.*
- *Installation and service must be performed by a qualified installer, service agency or the gas supplier.*

WHAT TO DO IF YOU SMELL GAS:

- 1 *Do not try to light a match, or cigarette, or turn on any gas or electrical appliance.*
- 2 *Do not touch any electrical switch; do not use any phone in your building.*
- 3 *Clear the room, building or area of all occupants.*
- 4 *Immediately call your gas supplier from a neighbor's phone. Follow the gas supplier's instructions carefully.*
- 5 *If you cannot reach your gas supplier, call the fire department.*



PROPER INSTALLATION

This dryer must be properly installed and located in accordance with the Installation Instructions before it is used, present in this manual.

- Properly ground dryer to conform to all governing codes and ordinances. Follow details in Installation Instructions section.
- Install or store where it will not be exposed to temperatures below freezing or exposed to the weather.
- Connect to a properly rated, protected and sized power supply circuit to avoid electrical overload.
- Remove the protective film from both the control panel and the door.
- Remove all sharp packing items and dispose of all shipping materials properly.
- Do not remove the vent protector from the back of the dryer. Pull the protector out and down to its lowest position and connect the exhaust duct to the dryer. The lowered protector will prevent the duct from getting crushed.

Exhaust/Ducting:

- 1 Dryers **MUST** be exhausted to the outside to prevent large amounts of moisture and lint from being blown into the room.
- 2 Use only rigid metal or flexible metal 10 cm (4") diameter ductwork inside for exhausting to the outside.

USE OF PLASTIC OR OTHER COMBUSTIBLE DUCTWORK CAN CAUSE A FIRE. PUNCTURED DUCTWORK CAN CAUSE A FIRE IF IT COLLAPSES OR BECOMES OTHERWISE RESTRICTED IN USE OR DURING INSTALLATION.

For complete details, follow the Installation Instructions.

IMPORTANT SAFETY INFORMATION

READ ALL INSTRUCTIONS BEFORE USING

⚠ WARNING!



YOUR LAUNDRY AREA

- Keep the area underneath and around your appliances free of combustible materials (lint, paper, rags, etc), gasoline, chemicals, and other flammable vapors and liquids.
- Keep all laundry aids (such as detergents, bleaches, etc.) out of the reach of children, preferably in a locked cabinet. Observe all warnings on container labels to avoid injury.
- Keep the floor around your appliances clean and dry to reduce the possibility of slipping.
- Never climb on or stand on the dryer top.
- Close supervision is necessary if this appliance is used near children. Do not allow children to play on, with or inside this or any other appliance.



WHEN USING YOUR DRYER

- Never reach into the dryer while the drum is moving. Before loading, unloading or adding clothes, wait until the drum has completely stopped.
- The laundry process can reduce the flame retardancy of fabrics. To avoid such a result, carefully follow the garment manufacturer's care instructions.
- Clean the lint filter before each load to prevent lint accumulation inside the dryer or in the room. **DO NOT OPERATE THE DRYER WITHOUT THE LINT FILTER IN PLACE.**
- Do not dry articles containing rubber, plastic, foam or similar materials such as padded bras, tennis shoes, galoshes, bath mats, rugs, bibs, baby pants, plastic bags, pillows, etc., that may melt or burn. Some rubber materials, when heated, can under certain circumstances produce fire by spontaneous combustion.
- Do not wash or dry articles that have been cleaned in, washed in, soaked in or spotted with combustible or explosive substances (such as wax, oil, paint, gasoline, degreasers, dry-cleaning solvents, kerosene, etc.) which may ignite or explode. Do not add these substances to the wash water. Do not use or place these substances around your washer or dryer during operation.
- Do not store plastic, paper or clothing that may burn or melt on top of the dryer during operation.
- Do not place items exposed to cooking oils in your dryer. Items contaminated with cooking oils may contribute to a chemical reaction that could cause a clothes load to catch fire.
- Garments labeled Dry Away from Heat or Do not Tumble Dry (such as life jackets containing kapok) must not be put in your dryer.
- Do not dry fiberglass articles in your dryer. Skin irritation could result from the remaining particles that may be picked up by clothing during subsequent dryer uses.
- Any article on which you have used a cleaning solvent or that contains flammable materials (such as cleaning cloths, mops, towels used in beauty salons, restaurants or barber shops, etc.) must not be placed in or near the dryer. There are many highly flammable items used in homes such as acetone, denatured alcohol, gasoline, kerosene, some household cleaners, some spot removers, turpentine, waxes, wax removers and products containing petroleum distillates.
- To minimize the possibility of electric shock, unplug this appliance from the power supply or disconnect the dryer at the building's distribution panel by removing the fuse or switching off the circuit breaker before attempting any maintenance or cleaning (except the removal and cleaning of the lint filter). NOTE: Pressing START, PAUSE or POWER does NOT disconnect the appliance from the power supply.



WHEN USING YOUR DRYER (cont.)

- Never attempt to operate this appliance if it is damaged, malfunctioning, partially disassembled, or has missing or broken parts, including a damaged cord or plug.
- The interior of the machine and the exhaust duct connection inside the dryer should be cleaned at least once a year by a qualified technician. See the *Loading and Using the Dryer* section.
- If yours is a gas dryer, it is equipped with an automatic electric ignition and does not have a pilot light. **DO NOT ATTEMPT TO LIGHT WITH A MATCH.** Burns may result from having your hand in the vicinity of the burner when the automatic ignition turns on.
- You may wish to soften your laundered fabrics or reduce the static electricity in them by using a dryer-applied fabric softener or an anti-static conditioner. We recommend you use either a fabric softener in the wash cycle, according to the manufacturer's instructions for those products, or try a dryer-added product for which the manufacturer gives written assurance on the package that their product can be safely used in your dryer. Service or performance problems caused by use of these products are the responsibility of the manufacturers of those products and are not covered under the warranty to this appliance.



WHEN NOT USING YOUR DRYER

- Grasp the plug firmly when disconnecting this appliance to avoid damage to the cord while pulling. Place the cord away from traffic areas so it will not be stepped on, tripped over or subjected to damage.
- Do not attempt to repair or replace any part of this appliance or attempt any servicing unless specifically recommended in this Owner's Manual or in published user-repair instructions that you understand and have the skills to carry out.
- Before discarding a dryer, or removing it from service, remove the dryer door to prevent children from hiding inside.
- Do not tamper with controls.



READ AND FOLLOW THIS SAFETY INFORMATION CAREFULLY.

SAVE THESE INSTRUCTIONS

Electric Dryer

BEFORE YOU BEGIN:

Read these instructions completely and carefully.

IMPORTANT – Save these instructions for local inspector's use.

IMPORTANT – Observe all governing codes and ordinances.

Note to Installer - Be sure to leave these instructions with the customer.

Note to Customer - Keep these instructions with your Use and Care Book for future reference.

Before the old dryer is removed from service or discarded, remove the dryer door.

Service information and the wiring diagram are located in the control console.

Install the dryer where the temperature is above 10° C (50°F) for satisfactory operation of the dryer control system.

! WARNING!

FOR YOUR SAFETY:

- Use only rigid metal or flexible metal 4-in. diameter ductwork for exhausting to the outdoors. Never use plastic or other combustible, easy-to-puncture ductwork.
- This appliance must be properly grounded and installed as described in these instructions.
- Do not install or store appliance in an area where it will be exposed to water and/or weather.
- This dryer must be exhausted to the outdoors.
- Inspect the dryer exhaust outlet and straighten the outlet walls if they are bent.
- Do not allow children on or in the appliance. Close supervision of children is necessary when the appliance is used near children.

NOTE: Installation and service of this dryer requires basic mechanical and electrical skills. It is your responsibility to contact a qualified installer to make the electrical connections.

TOOLS YOU WILL NEED



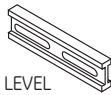
SLIP JOINT PLIERS



FLAT BLADE SCREWDRIVER

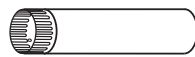


PHILLIPS SCREWDRIVER



LEVEL

MATERIALS YOU WILL NEED



10 cm (4 in.) DIA. METAL DUCT (RECOMMENDED)



10 cm (4 in.) DUCT CLAMPS (2)
OR
10 cm (4 in.) SPRING CLAMPS (2)



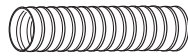
10 cm (4 in.) METAL ELBOW



EXHAUST HOOD



SAFETY GLASSES



10 cm (4 in.) DIA. FLEXIBLE METAL DUCT (IF NEEDED)



DUCT TAPE



GLOVES

- Step 1 Prepare the area and exhaust for installation of new dryer (see section 1).
- Step 2 Check and ensure the existing external exhaust is clean (see section 1) and meets attached installation specifications (see section 3).
- Step 3 Remove the foam shipping pads (see section 1).
- Step 4 Move the dryer to the desired location.
- Step 5 Connect the power supply (see section 2).
- Step 6 Connect the external exhaust (see section 4).
- Step 7 Level your dryer (see section 5).

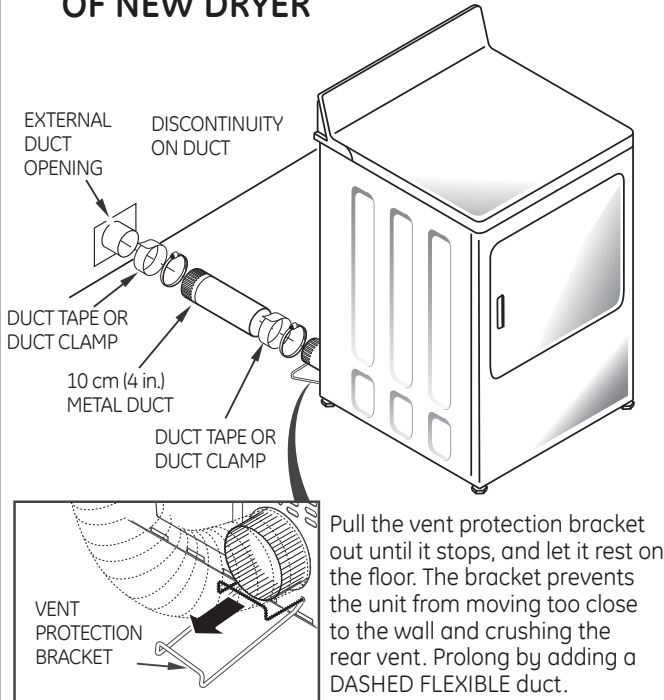
- Step 8 Check the operation of the power supply and venting.
- Step 9 Place the owners Use and Care in a location where it will be noticed by the owner.

For alcove or closet installation, see section 6.
For bathroom or bedroom installation, see section 7.
For mobile or manufactured home see, section 8.
For side or bottom exhaust, see section 9.

Minimum Clearance Other Than Alcove or Closet Installation

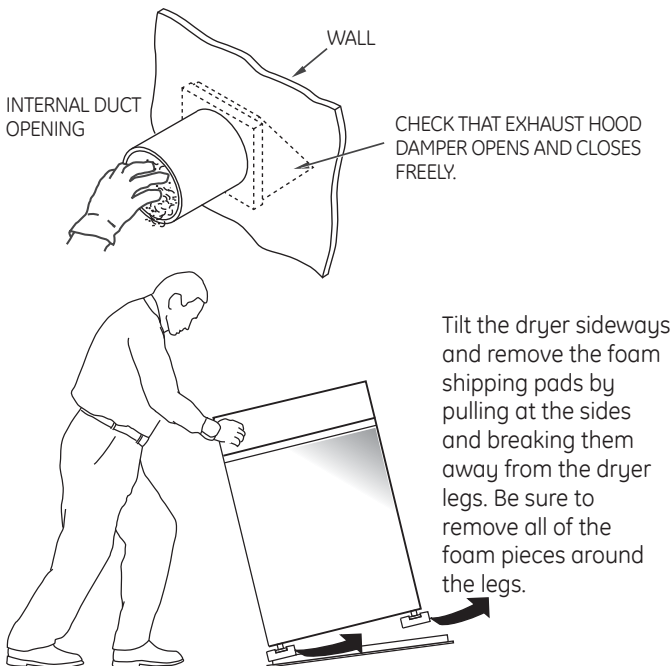
Minimum clearance to combustible surfaces and for air opening are: 0 cm (0 in.) clearance both sides and 2.5 cm (1 in.) rear. Consideration **must** be given to provide adequate clearance for installation and service.

1 PREPARING FOR INSTALLATION OF NEW DRYER



TIP: Install your dryer before installing your washer. This will allow better access when installing dryer exhaust.

REMOVING LINT FROM WALL EXHAUST OPENING & FOAM REMOVAL FROM DRYER LEGS



2 ELECTRICAL CONNECTION INFORMATION

⚠ WARNING - TO REDUCE THE RISK OF FIRE, ELECTRICAL SHOCK AND PERSONAL INJURY:

DO NOT USE AN EXTENSION CORD OR AND ADAPTER PLUG WITH THIS APPLIANCE.

Dryer must be electrically grounded in accordance with local codes and ordinances. Installation must be in accordance with the current CSA C22.1 Canadian Electrical code part 1. Improper connection of the equipment-grounding conductor can result in an electric shock. Check with a qualified electrician or service representative or personnel if you are in doubt as to whether the appliance is properly grounded.

Do not modify the plug provided with the appliance: if it will not fit the outlet, have a proper outlet installed by a qualified electrician.

ELECTRICAL REQUIREMENTS

This dryer must be connected to an individual branch circuit, protected by the required time-delay fuses or circuit breakers. The power supply must be of 120/240 volts, 60 Hz circuit with the wall receptacle as shown below:



The power supply must be protected with 30 Amp fuses or breakers. It must be well grounded and conform to local codes.

GROUNDING INSTRUCTIONS

This appliance must be grounded. In the event of malfunction or breakdown, grounding will reduce the risk of electrical shock by providing a path of least resistance for electrical current. This appliance is equipped with a cord having an equipment-grounding conductor and a grounding plug. The plug must be plugged into an appropriate outlet that is properly installed and grounded in accordance with all local codes and ordinances.

Electric Dryer

3 EXHAUST INFORMATION

⚠ WARNING - USE ONLY METAL 10 cm (4") DUCT. DO NOT USE DUCT LONGER THAN SPECIFIED IN THE EXHAUST LENGTH TABLE.

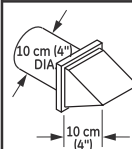
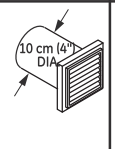
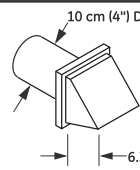
Using exhaust longer than specified length will:

- Increase the drying times and the energy cost.
- Reduce the dryer life.
- Accumulate lint, creating a potential fire hazard.

The correct exhaust installation is YOUR RESPONSIBILITY. Problems due to incorrect installation are not covered by the warranty.

The MAXIMUM ALLOWABLE length of the exhaust system depends upon the type of duct, number of turns, the type of exhaust hood (wall cap), and all conditions noted below. Both rigid and flexible metal duct are shown in the table below.

EXHAUST LENGTH

No. of 90° Elbows	RECOMMENDED MAXIMUM LENGTH			
	Exhaust Hood Types			
	Recommended		Use only for short run installations	
				
0	27.4 m (90 ft.)	16.8 m (55 ft.)	18.3 m (60 ft.)	13.7 m (45 ft.)
1	18.3 m (60 ft.)	12.2 m (40 ft.)	13.7 m (45 ft.)	9.1 m (30 ft.)
2	13.7 m (45 ft.)	9.1 m (30 ft.)	10.7 m (35 ft.)	6.1 m (20 ft.)
3	10.7 m (35 ft.)	6.1 m (20 ft.)	7.6 m (25 ft.)	4.6 m (15 ft.)
4	7.6 m (25 ft.)	4.6 m (15 ft.)	4.6 m (15 ft.)	3.0 m (10 ft.)

If using flexible metal duct, please refer to page 10.

EXHAUST SYSTEM CHECKLIST

HOOD OR WALLCAP

- Terminate in a manner to prevent back drafts or entry of birds or other wildlife.
- Termination should present minimal resistance to the exhaust air flow and should require little or no maintenance to prevent clogging.
- Never install a screen in or over the exhaust duct. This could cause lint build up, thus creating a fire hazard.
- Wall caps must be installed at least 30 cm (12 in.) above ground level or any other obstruction with the opening pointed down.
- If roof vents or louvered plenums are used, they must be equivalent to a 10 cm (4 in.) dampened wall cap in regard to resistance to air flow, prevention of back drafts, and maintenance required to prevent clogging.

SEPARATION OF TURNS

For best performance, separate all turns by at least 1.2 m (4 ft.) of straight duct, including distance between last turn and exhaust hood.

TURNS OTHER THAN 90°

- One turn of 45° or less may be ignored.
- Two 45° turns should be treated as one 90° turn.
- Each turn over 45° should be treated as one 90° turn.

SEALING OF JOINTS

- All joints should be tight to avoid leaks. The male end of each section of duct must point away from the dryer.
- Do not assemble the ductwork with fasteners that extend into the duct. They will serve as a collection point for lint.
- Duct joints should be made air and moisture-tight by wrapping the overlapped joints with duct tape.
- Horizontal runs should slope down toward the outdoors 1.2cm (1/2 in.)/ft.

INSULATION

Duct work that runs through an unheated area or is near air conditioning should be insulated to reduce condensation and lint build-up.

4 EXHAUST CONNECTION

⚠ WARNING - TO REDUCE THE RISK OF FIRE OR PERSONAL INJURY:

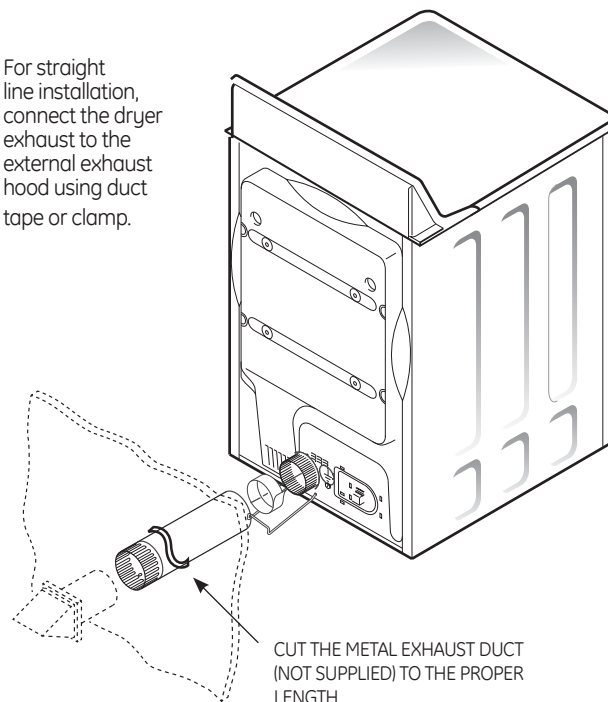
This dryer must be exhausted to the outdoors.

- Use only metal duct.
- Do not terminate exhaust in a chimney, any gas vent, under an enclosed floor (crawl space), or into an attic. The accumulated lint could create a fire hazard.
- Provide an access for inspection and cleaning of the exhaust system, especially at turns. Inspect and clean at least once a year.
- Never terminate the exhaust into a common duct with a kitchen exhaust. A combination of lint and grease could create a fire hazard.
- Do not obstruct incoming or exhausted air.

THIS DRYER COMES READY FOR REAR EXHAUSTING. IF SPACE IS LIMITED, USE THE INSTRUCTIONS IN SECTION 9 TO EXHAUST DIRECTLY FROM THE SIDES OR BOTTOM OF THE CABINET.

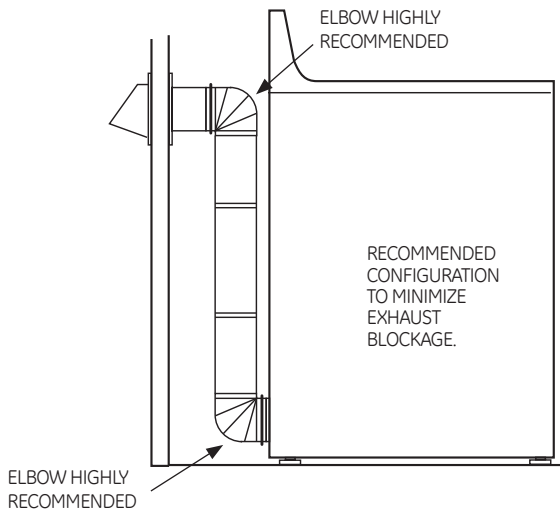
STANDARD REAR EXHAUST (Vented at floor level)

For straight line installation, connect the dryer exhaust to the external exhaust hood using duct tape or clamp.



NOTE: WE STRONGLY RECOMMEND SOLID METAL EXHAUST DUCTING. HOWEVER, IF FLEXIBLE DUCTING IS USED IT **MUST** BE METAL **NOT** PLASTIC.

STANDARD REAR EXHAUST (Vented above floor level)



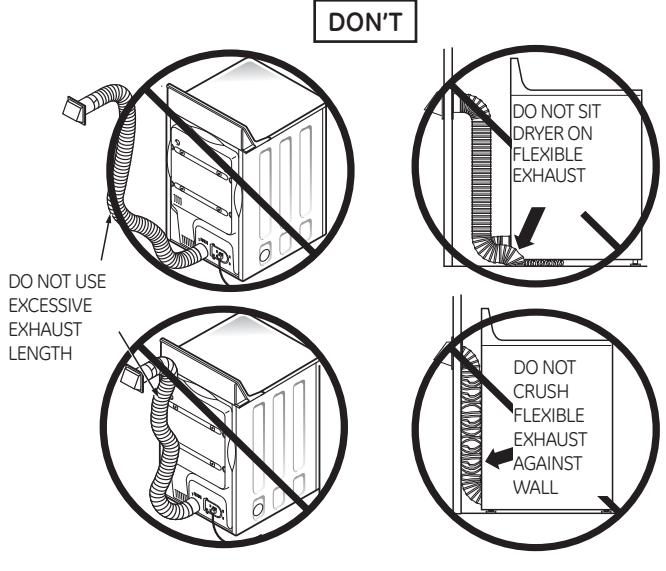
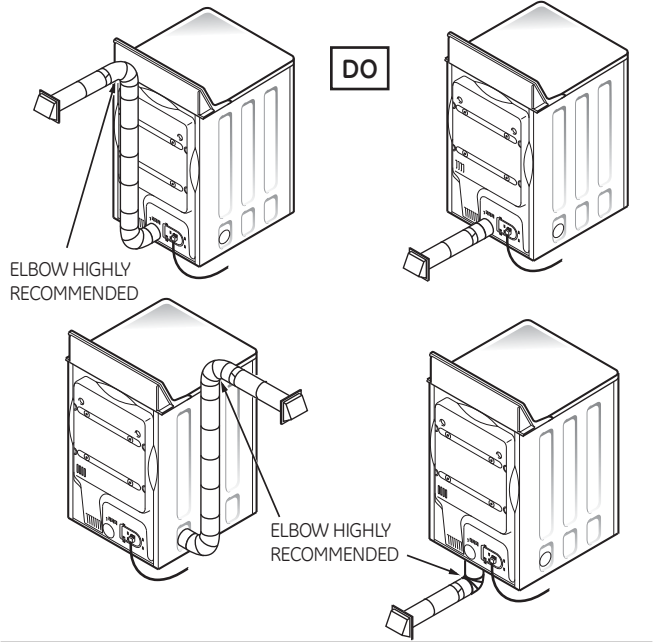
NOTE: ELBOWS WILL PREVENT DUCT KINKING AND COLLAPSING.

USING FLEXIBLE METAL DUCTS

If rigid all-metal duct cannot be used, then flexible all-metal ducting can be used, but it will reduce the maximum recommended duct length. In special installations when it is impossible to use only metal ducting, then UL-listed clothes dryer flexible metal transition duct may be used as transition venting between the dryer and wall connection only. The use of this ducting will affect dry time.

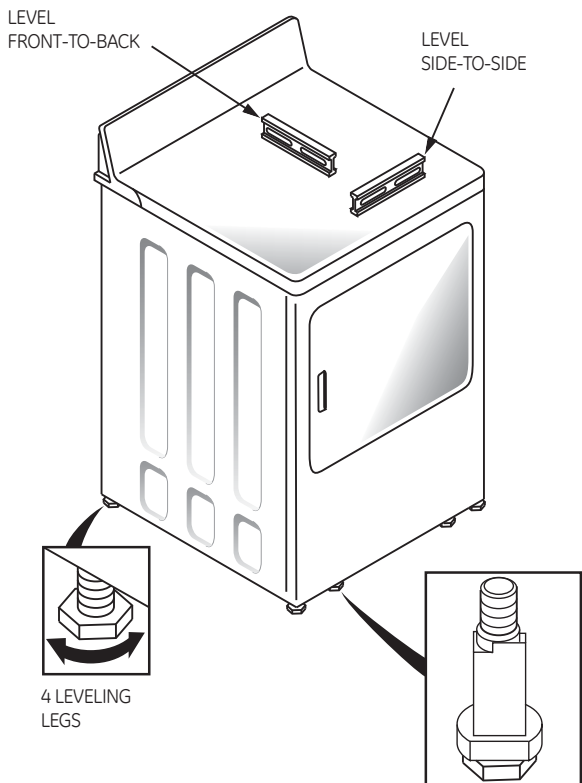
If flexible transition duct is necessary, the following directions must be followed.

- Use the shortest length possible.
- Stretch the duct to its maximum length to avoid kinks.
- Do not crush or collapse the duct.
- Extend vent protection bracket as described in step 1.
- Never use transition duct inside the wall or inside the dryer on page 2.
- Avoid resting the duct on sharp objects.
- **Venting must conform to local building codes.**



5 LEVELING AND STABILIZING YOUR DRYER

Stand the dryer upright near the final location and adjust the 4 leveling legs, at the corners, to ensure that the dryer is level from side to side and front to rear.



Electric Dryer

EXHAUSTING

A CLOTHES DRYER PRODUCES COMBUSTIBLE LINT. FOR ALL INSTALLATIONS, THE DRYER MUST BE CONNECTED TO AN EXHAUST TO THE OUTDOORS.

NOTE: MOBILE HOME, BEDROOM, BATHROOM, ALCOVE OR CLOSET INSTALLATIONS MUST BE EXHAUSTED TO THE OUTDOORS.

6 ALCOVE OR CLOSET INSTALLATION

- If your dryer is approved for installation in an alcove or closet, it will be stated on a label on the dryer back.
- The dryer **MUST** be vented to the outdoors. See the EXHAUST INFORMATION sections 3 & 4.
- Minimum clearance between dryer cabinet and adjacent walls or other surfaces is:
 - 0 in. either side
 - 7.6 cm (3 in.) front and rear
- Minimum vertical space from floor to overhead cabinets, ceiling, etc. is 109 cm (43 in.) without pedestal, 140 cm (55 in.) with pedestal.
- Closet doors must be louvered or otherwise ventilated and must contain a minimum of 387 sq. cm (60 sq. in.) of open area equally distributed. If the closet contains both a washer and a dryer, doors must contain a minimum of 774 sq. cm (120 sq. in.) of open area equally distributed.

NOTE: WHEN THE EXHAUST DUCT IS LOCATED AT THE REAR OF THE DRYER, MINIMUM CLEARANCE FROM THE WALL IS 14 cm (5.5 IN.)

7 BATHROOM OR BEDROOM INSTALLATION

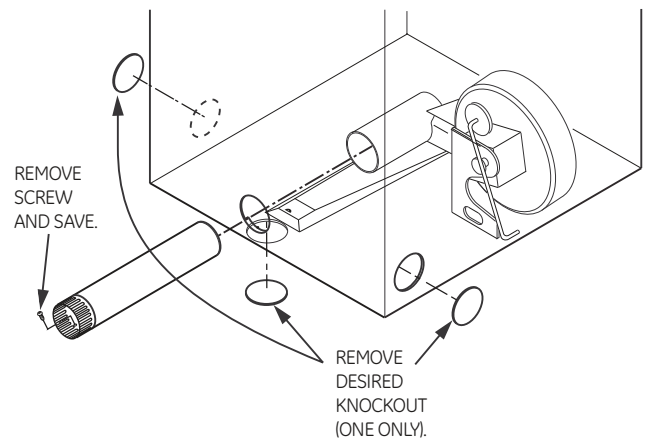
- The dryer **MUST** be vented to the outdoors. See EXHAUST INFORMATION section 3 & 4.
- The installation must conform with local codes or, in the absence of local codes, with the current CSA C22.1 Canadian Electrical code part 1.

8 MOBILE OR MANUFACTURED HOME INSTALLATION

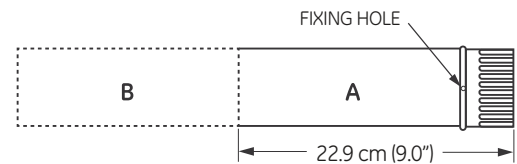
- Installation must conform to the current CAN/CSA Z240 MH series Mobile Home Installation Codes.
- The dryer **MUST** be vented to the outdoors with the termination securely fastened to the mobile home structure. (See EXHAUST INFORMATION section 3 & 4.)
- The vent **MUST NOT** be terminated beneath a mobile or manufactured home.
- The vent duct material **MUST BE METAL**.
- Do not use sheet metal screws or other fastening devices which extend into the interior of the exhaust vent.
- See section 2 for electrical connection information.

9 DRYER EXHAUST TO RIGHT, LEFT OR BOTTOM CABINET

⚠ WARNING - BEFORE PERFORMING THIS EXHAUST INSTALLATION, BE SURE TO DISCONNECT THE DRYER FROM ITS ELECTRICAL SUPPLY. PROTECT YOUR HANDS AND ARMS FROM SHARP EDGES WHEN WORKING INSIDE THE CABINET. BE SURE TO WEAR GLOVES.

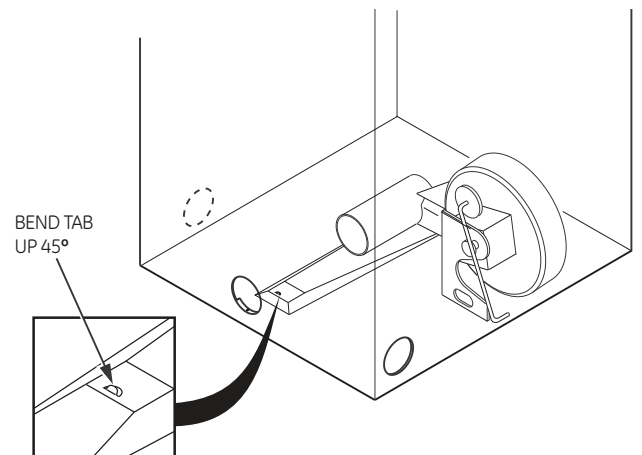


Detach and remove the bottom, right or left side knockout as desired. Remove the screw inside the dryer exhaust duct and save. Pull the duct out of the dryer.



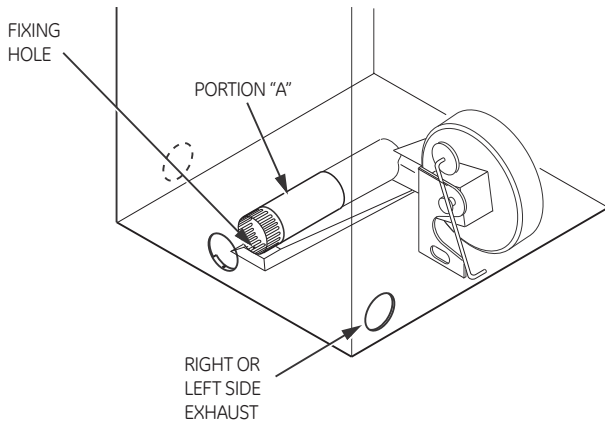
Cut the duct as shown and keep portion A.

TAB LOCATION



Through the rear opening, locate the tab in the middle of the appliance base. Lift the tab to about 45° using a flat blade screwdriver.

ADDING NEW DUCT

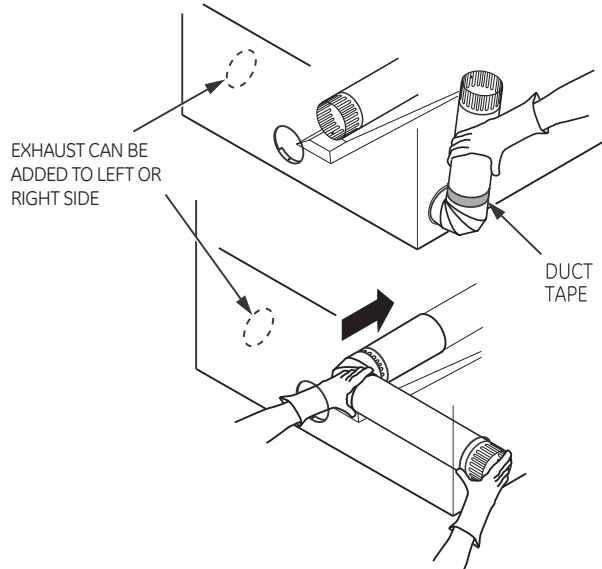


Reconnect the cut portion (A) of the duct to the blower housing. Make sure that the shortened duct is aligned with the tab in the base. Use the screw saved previously to secure the duct in place through the tab on the appliance base.

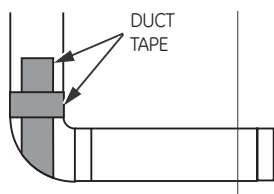
ADDING ELBOW AND DUCT FOR EXHAUST TO LEFT OR RIGHT SIDE OF CABINET

- Preassemble 10 cm (4") elbow with 10 cm (4") duct. Wrap duct tape around joint.
- Insert duct assembly, elbow first, through the side opening and connect the elbow to the dryer internal duct.

CAUTION: Be sure not to pull or damage the electrical wires inside the dryer when inserting the duct.



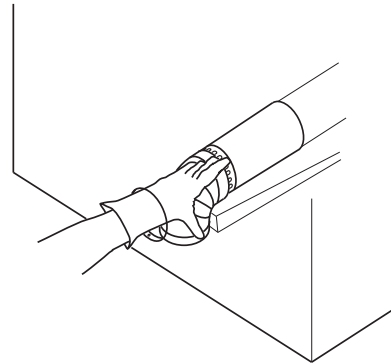
- Apply duct tape as shown on the joint between the dryer internal duct and the elbow.



CAUTION: Internal duct joints must be secured with tape, otherwise they may separate and cause a safety hazard.

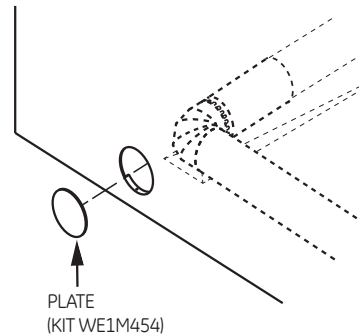
DRYER EXHAUST TO RIGHT, LEFT OR BOTTOM CABINET

- Insert the elbow through the rear opening and connect it to the dryer internal duct.
- Apply duct tape on the joint between the dryer internal duct and elbow, as shown on page 11.



CAUTION: Internal duct joints must be secured with tape, otherwise they may separate and cause a safety hazard.

ADDING COVER PLATE TO REAR OF CABINET (SIDES AND BOTTOM EXHAUST)



Connect standard metal elbows and ducts to complete the exhaust system. Cover back opening with a plate (Kit WE1M454) available from your local service provider. Place dryer in final location.

⚠ WARNING - NEVER LEAVE THE BACK OPENING WITHOUT THE PLATE. (Kit WE1M454)

10 SERVICING

⚠ WARNING - LABEL ALL WIRES PRIOR TO DISCONNECTING WHEN SERVICING CONTROLS. WIRING ERRORS CAN CAUSE IMPROPER AND DANGEROUS OPERATION AFTER SERVICING/INSTALLATION.

For servicing phone numbers for replacement parts, and other information, refer to Owner's Manual or visit our Web site.

Gas Dryer

BEFORE YOU BEGIN:

Read these instructions completely and carefully.

IMPORTANT - Save these instructions for local inspector's use.

IMPORTANT - Observe all governing codes and ordinances.

Note to Installer - Be sure to leave these instructions with the customer.

Note to Customer - Keep these instructions with your Use and Care Book for future reference.

Before the old dryer is removed from service or discarded, remove the dryer door.

Service information and the wiring diagram are located in the control console.

Install the dryer where the temperature is above 10° C (50°F) for satisfactory operation of the dryer control system.

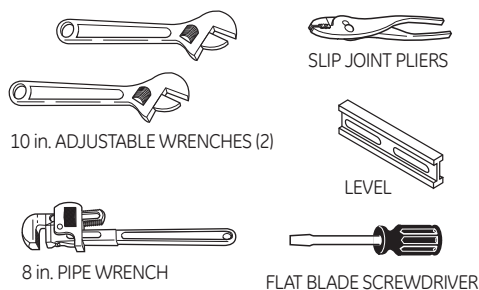
⚠ WARNING!

FOR YOUR SAFETY:

- Use only rigid metal or flexible metal 4-in. diameter ductwork for exhausting to the outdoors. Never use plastic or other combustible, easy-to-puncture ductwork.
- This appliance must be properly grounded and installed as described in these instructions.
- Do not install or store appliance in an area where it will be exposed to water and/or weather.
- This dryer must be exhausted to the outdoors.
- Inspect the dryer exhaust outlet and straighten the outlet walls if they are bent.
- Do not allow children on or in the appliance. Close supervision of children is necessary when the appliance is used near children.

NOTE: Installation and service of this dryer requires basic mechanical and electrical skills. It is your responsibility to contact a qualified installer to make the electrical connections.

TOOLS YOU WILL NEED



MATERIALS YOU WILL NEED



- Step 1 Verify your gas installation (see section 2).
- Step 2 Prepare the area and exhaust for installation of new dryer (see section 1).
- Step 3 Check and ensure the existing external exhaust is clean (see section 1) and meets attached installation specifications (see section 6).
- Step 4 Remove the foam shipping pads (see section 1).
- Step 5 Move the dryer to the desired location.
- Step 6 Level your dryer (see section 8).
- Step 7 Connect the gas supply (see section 3) and check for leaks (see section 4)

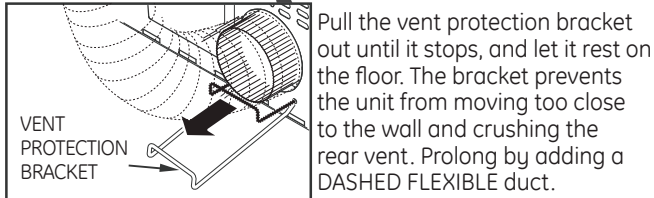
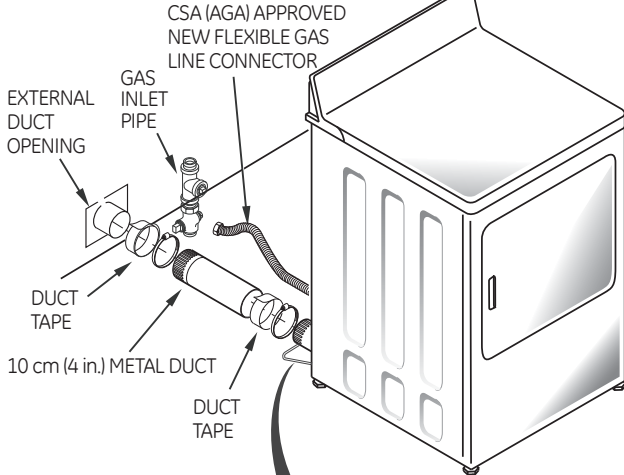
- Step 8 Connect the external exhaust (see section 7).
- Step 9 Connect the power supply (see section 5).
- Step 10 Check the operation of the power supply, gas connections and venting.
- Step 11 Place the Use and Care in a location where it will be noticed by the owner.

For alcove or closet installation, see section 9.
 For bathroom or bedroom installation, see section 10.
 For mobile or manufactured home see, section 11.

Minimum Clearance Other Than Alcove or Closet Installation

Minimum clearance to combustible surfaces and for air opening are: 0 cm (0 in.) clearance both sides and 2.5 cm (1 in.) rear. Consideration **must** be given to provide adequate clearance for installation and service.

1 PREPARING FOR INSTALLATION OF NEW DRYER

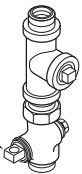


Pull the vent protection bracket out until it stops, and let it rest on the floor. The bracket prevents the unit from moving too close to the wall and crushing the rear vent. Prolong by adding a DASHED FLEXIBLE duct.

TIP: Install your dryer before installing your washer. This will allow better access when installing dryer exhaust.

DISCONNECTING GAS

TURN GAS SHUT-OFF VALVE TO THE OFF POSITION.



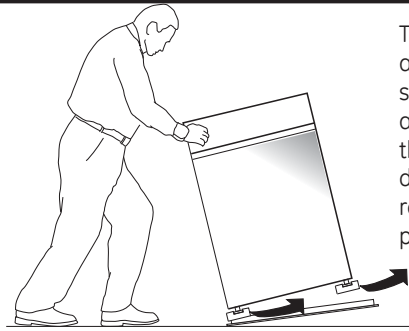
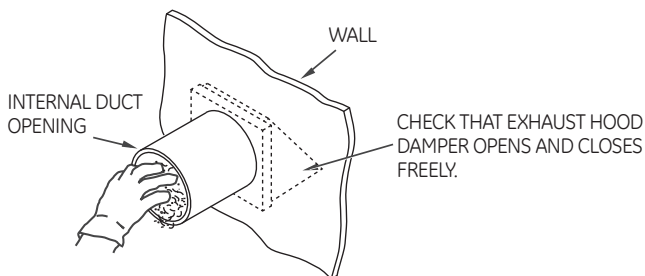
DISCONNECT AND DISCARD OLD FLEXIBLE GAS CONNECTOR AND OLD DUCTING MATERIAL



WARNING - NEVER REUSE OLD FLEXIBLE CONNECTORS.

The use of old flexible connectors can cause leaks and personal injury. Always use new flexible connectors when installing gas appliances.

REMOVING LINT FROM WALL EXHAUST OPENING



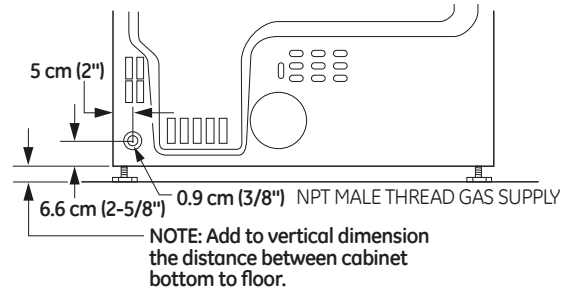
Tilt the dryer sideways and remove the foam shipping pads by pulling at the sides and breaking them away from the dryer legs. Be sure to remove all of the foam pieces around the legs.

2 GAS REQUIREMENTS

WARNING!

- Installation must conform to local codes and ordinances, or in their absence, the **NCAN/CGA-B149**, Natural Gas, Installation.
- This gas dryer is equipped with a Valve & Burner Assembly for use only with natural gas. Using conversion kit **WE25M43**, your local service organization can convert this dryer for use with propane (LP) gas. **ALL CONVERSIONS MUST BE MADE BY PROPERLY TRAINED AND QUALIFIED PERSONNEL AND IN ACCORDANCE WITH LOCAL CODES AND ORDINANCE REQUIREMENTS OF THE CAN/CGA-B149.1 AND B149.2 INSTALLATION CODE.**
- The dryer must be disconnected from the gas supply piping system during any pressure testing of that system at a test pressure in excess of 0.5 PSI (3.4 KPa).
- The dryer must be isolated from the gas supply piping system by closing the equipment shut-off valve during any pressure testing of the gas supply piping of test pressure equal to or less than 0.5 PSI (3.4 KPa).

DRYER GAS SUPPLY CONNECTION



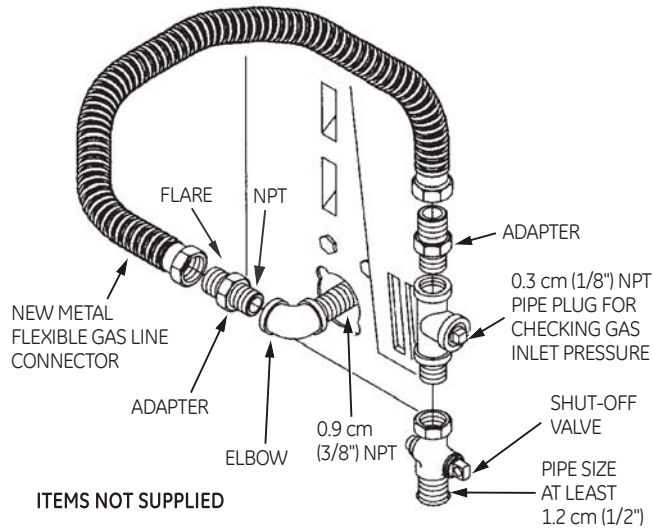
GAS SUPPLY

- A 0.3 cm (1/8-in.) National Pipe Taper thread plugged tapping, accessible for test gauge connection, must be installed immediately upstream of the gas supply connection to the dryer. Contact your local gas utility should you have questions on the installation of the plugged tapping.
- Supply line is to be 1.2 cm (1/2-in.) rigid pipe and equipped with an accessible shut-off within 2 m (6 ft.) of, and in the same room with, the dryer.
- Use pipe thread sealer compound appropriate for natural or LP gas or use Teflon tape.
- You must use with this dryer a flexible metal connector listed connector ANSI Z21.24 / CSA 6.10.
- Connect flexible metal connector to dryer and gas supply.
- Open shut-off valve.

Gas Dryer

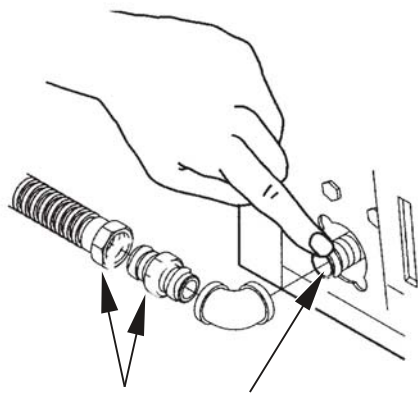
3 RECONNECTING GAS

Listed connector ANSIZ21.24 / CSA 6.10



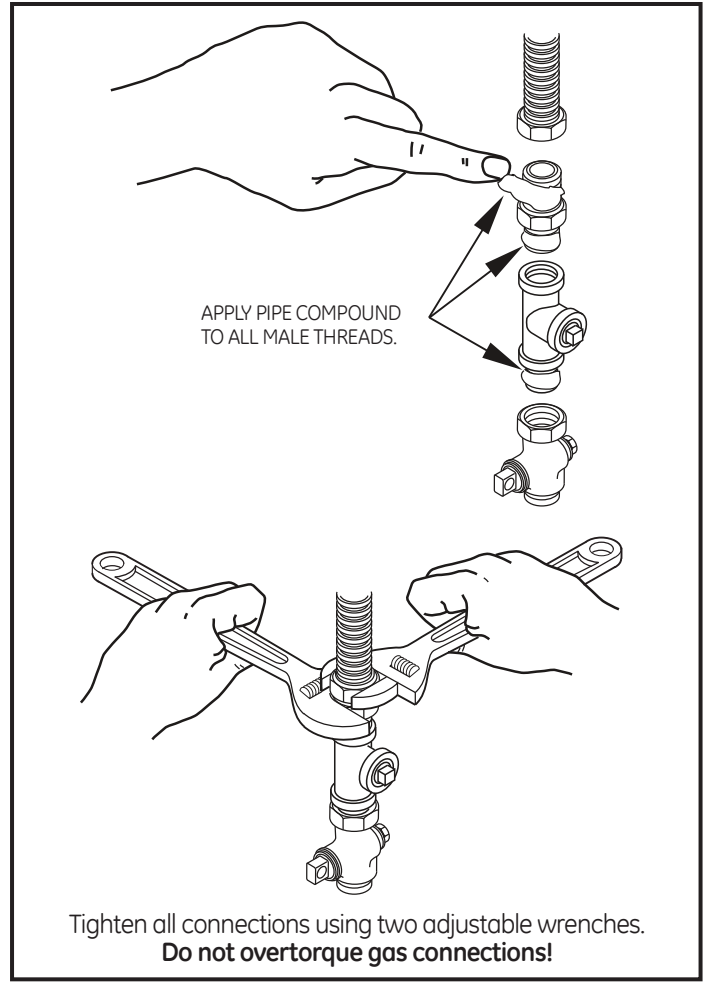
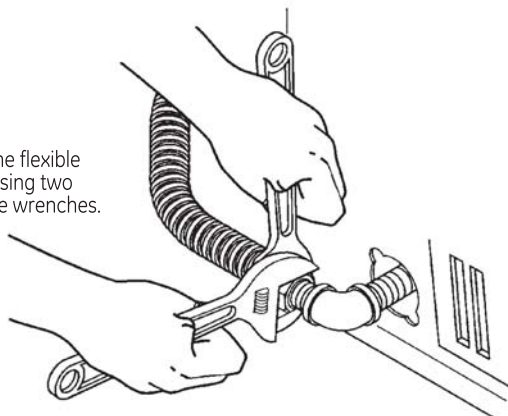
Note: The connector and fittings are designed for use only on the original installation and are not to be reused for another appliance or at another location. Keep flare end of adapter free of grease, oil and thread sealant.

Caution: Use adapters as shown. Connector nuts must not be connected directly to pipe threads.



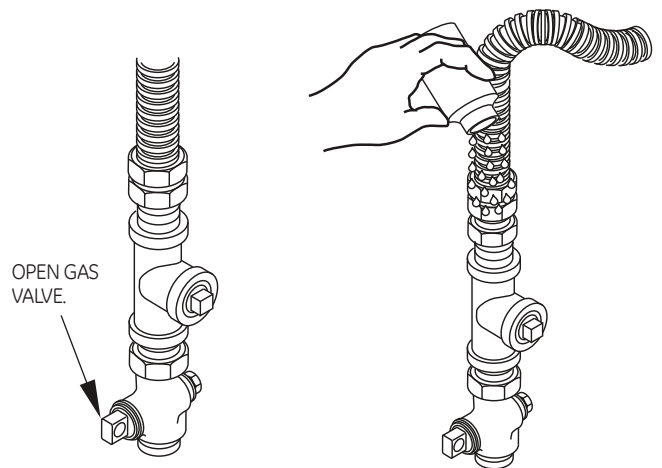
APPLY PIPE COMPOUND TO THE ADAPTER AND DRYER GAS INLET.

Tighten the flexible gas line using two adjustable wrenches.



4 LEAK TEST

⚠ WARNING - NEVER USE AN OPEN FLAME TO TEST FOR GAS LEAKS.



Check all connections for leaks with soapy solution or equivalent. Apply soap solution. **Leak test solution must not contain ammonia which could cause damage to the brass fittings.** If leaks are found, close valve, retighten the joint, and repeat the soap test.

5 ELECTRICAL CONNECTION INFORMATION

⚠ WARNING - TO REDUCE THE RISK OF FIRE, ELECTRICAL SHOCK AND PERSONAL INJURY: DO NOT USE AN EXTENSION CORD OR AN ADAPTER PLUG WITH THIS APPLIANCE.

Dryer must be electrically grounded in accordance with local codes and ordinances, or in the absence of local codes, in accordance with the current CSA C22.1 Canadian Electrical code part 1. Improper connection of the equipment-grounding conductor can result in an electric shock. Check with a qualified electrician or service representative or personnel if you are in doubt as to whether the appliance is properly grounded.

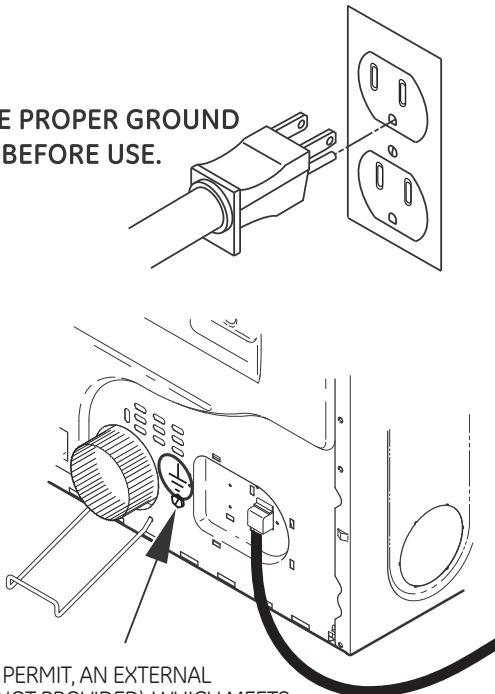
Do not modify the plug provided with the appliance: if it will not fit the outlet, have a proper outlet installed by a qualified electrician.

ELECTRICAL REQUIREMENTS

This appliance must be supplied with 120V, 60Hz, and connected to a properly grounded branch circuit, protected by a 15- or 20-amp circuit breaker or time-delay fuse. If electrical supply provided does not meet the above specifications, it is recommended that a licensed electrician install an approved outlet.

⚠ WARNING - THIS DRYER IS EQUIPPED WITH A THREE-PRONG (GROUNDING) PLUG FOR YOUR PROTECTION AGAINST SHOCK HAZARD AND SHOULD BE PLUGGED DIRECTLY INTO A PROPERLY GROUNDED THREE-PRONG RECEPTACLE. DO NOT CUT OR REMOVE THE GROUNDING PRONG FROM THIS PLUG. INSTALLATION MUST BE IN ACCORDANCE WITH THE CURRENT CSA C22.1 CANADIAN ELECTRICAL CODE PART 1 AND/OR LOCAL CODES.

ENSURE PROPER GROUND EXISTS BEFORE USE.



IF LOCAL CODES PERMIT, AN EXTERNAL GROUND WIRE (NOT PROVIDED), WHICH MEETS LOCAL CODES, MAY BE ADDED BY ATTACHING TO THE GREEN GROUND SCREW ON THE REAR OF THE DRYER, AND TO A GROUNDED METAL COLD WATER PIPE OR OTHER ESTABLISHED GROUND.

6 EXHAUST INFORMATION

⚠ WARNING - USE ONLY METAL 10 cm (4in.) DUCT. DO NOT USE DUCT LONGER THAN SPECIFIED IN THE EXHAUST LENGTH TABLE.

Using exhaust longer than specified length will:

- Increase the drying times and the energy cost.
- Reduce the dryer life.
- Accumulate lint, creating a potential fire hazard.

The correct exhaust installation is YOUR RESPONSIBILITY. Problems due to incorrect installation are not covered by the warranty.

The MAXIMUM ALLOWABLE length of the exhaust system depends upon the type of duct, number of turns, the type of exhaust hood (wall cap), and all conditions noted below. Both rigid and flexible metal duct are shown in the table below.

EXHAUST LENGTH

	RECOMMENDED MAXIMUM LENGTH			
	Exhaust Hood Types			
	Recommended		Use only for short run installations	
No. of 90° Elbows	Rigid Metal	Flexible Metal	Rigid Metal	Flexible Metal
0	27.4 m (90 ft.)	16.8 m (55 ft.)	18.3 m (60 ft.)	13.7 m (45 ft.)
1	18.3 m (60 ft.)	12.2 m (40 ft.)	13.7 m (45 ft.)	9.1 m (30 ft.)
2	13.7 m (45 ft.)	9.1 m (30 ft.)	10.7 m (35 ft.)	6.1 m (20 ft.)
3	10.7 m (35 ft.)	6.1 m (20 ft.)	7.6 m (25 ft.)	4.6 m (15 ft.)

If using flexible metal duct, please refer to page 18.

EXHAUST SYSTEM CHECKLIST

HOOD OR WALLCAP

- Terminate in a manner to prevent back drafts or entry of birds or other wildlife.
- Termination should present minimal resistance to the exhaust air flow and should require little or no maintenance to prevent clogging.
- Never install a screen in or over the exhaust duct.
- Wall caps must be installed at least 30 cm (12 in.) above ground level or any other obstruction with the opening pointed down.
- If roof vents or louvered plenums are used, they must be equivalent to a 10 cm (4 in.) dampened wall cap in regard to resistance to air flow, prevention of back drafts, and maintenance required to prevent clogging.

SEPARATION OF TURNS

For best performance, separate all turns by at least 1.2 m (4 ft.) of straight duct, including distance between last turn and dampened wall cap.

TURNS OTHER THAN 90°

- One turn of 45° or less may be ignored.
- Two 45° turns should be treated as one 90° turn.
- Each turn over 45° should be treated as one 90° turn.

SEALING OF JOINTS

- All joints should be tight to avoid leaks. The male end of each section of duct must point away from the dryer.
- Do not assemble the ductwork with fasteners that extend into the duct. They will serve as a collection point for lint.
- Duct joints should be made air- and moisture-tight by wrapping the overlapped joints with duct tape.
- Horizontal runs should slope down toward the outdoors 1.2cm (1/2 in.) /ft.

INSULATION

Duct work that runs through an unheated area or is near air conditioning should be insulated to reduce condensation and lint build-up.

Gas Dryer

7 EXHAUST CONNECTION

⚠ WARNING - TO REDUCE THE RISK OF FIRE OR PERSONAL INJURY:

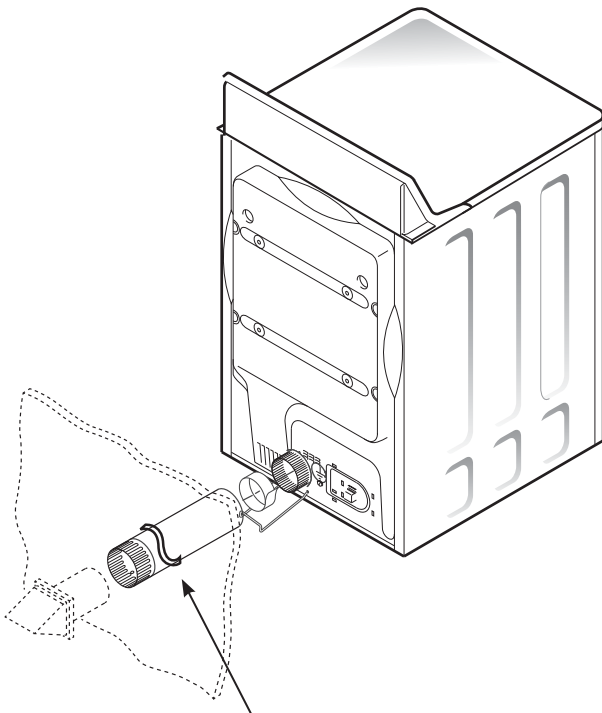
This dryer must be exhausted to the outdoors.

- Use only metal duct.
- Do not terminate exhaust in a chimney, any gas vent, under an enclosed floor (crawl space), or into an attic. The accumulated lint could create a fire hazard.
- Provide an access for inspection and cleaning of the exhaust system, especially at turns. Inspect and clean at least once a year.
- Never terminate the exhaust into a common duct with a kitchen exhaust. A combination of lint and grease could create a fire hazard.
- Do not obstruct incoming or exhausted air.

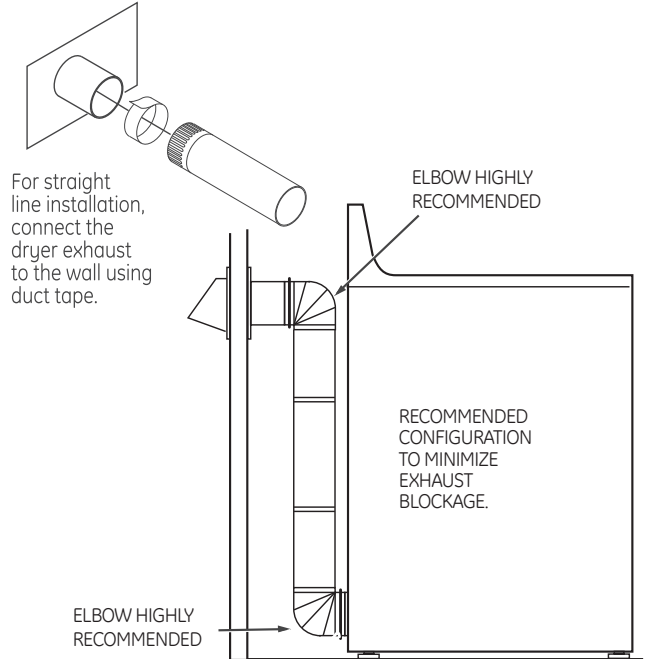
WE RECOMMEND THAT YOU INSTALL YOUR DRYER BEFORE YOUR WASHER. THIS WILL PERMIT DIRECT ACCESS FOR EASIER EXHAUST CONNECTION.

THIS DRYER COMES READY FOR REAR EXHAUSTING. IF SPACE IS LIMITED, USE THE INSTRUCTIONS IN SECTION 12 TO EXHAUST DIRECTLY FROM THE LEFT SIDE OR BOTTOM OF THE CABINET.

STANDARD REAR EXHAUST



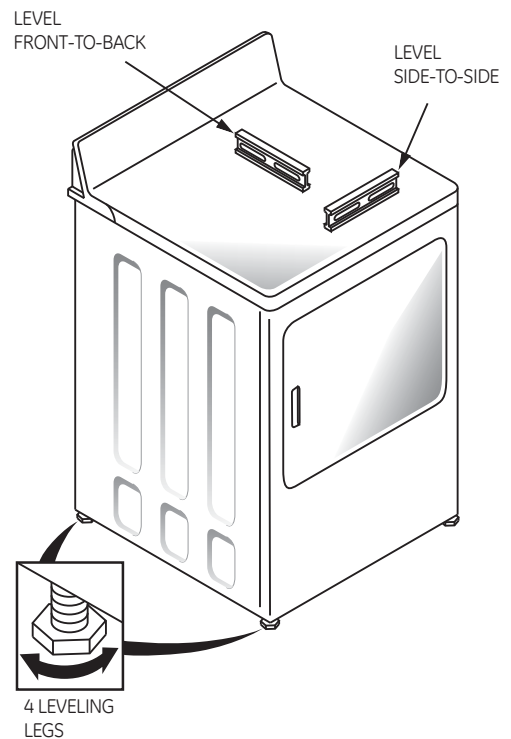
WE STRONGLY RECOMMEND THE USE OF RIGID METAL EXHAUST DUCT. IF USING FLEXIBLE METAL DUCT, CUT IT TO THE PROPER LENGTH AND AVOID BUNCHING OF THE DUCT BEHIND THE DRYER.



NOTE: ELBOWS WILL PREVENT DUCT KINKING AND COLLAPSING.

8 LEVELING DRYER

Stand the dryer upright near the final location and adjust the 4 leveling legs to match the height of your washer.

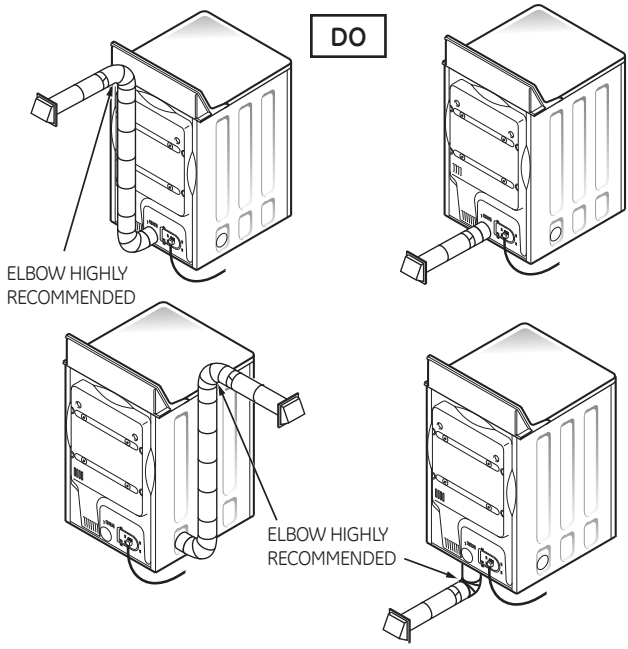


USING FLEXIBLE METAL DUCTS

If rigid all-metal duct cannot be used, then flexible all-metal venting can be used, but it will reduce the maximum recommended duct length. In special installations when it is impossible to use only metal ducting, then UL-listed clothes dryer flexible metal transition duct may be used as transition venting between the dryer and wall connection only. The use of this ducting will affect dry time.

If flexible transition duct is necessary, the following directions must be followed.

- Use the shortest length possible.
- Stretch the duct to its maximum length to avoid kinks.
- Do not crush or collapse the duct.
- Extend vent protection bracket as described in step 1 on page 2.
- Never use transition duct inside the wall or inside the dryer.
- Avoid resting the duct on sharp objects.
- **Venting must conform to local building codes.**



EXHAUSTING

A CLOTHES DRYER PRODUCES COMBUSTIBLE LINT. FOR ALL INSTALLATIONS, THE DRYER MUST BE CONNECTED TO AN EXHAUST TO THE OUTDOORS.

NOTE: MOBILE HOME, BEDROOM, BATHROOM, ALCOVE OR CLOSET INSTALLATIONS MUST BE EXHAUSTED TO THE OUTDOORS.

9 ALCOVE OR CLOSET INSTALLATION

- If your dryer is approved for installation in an alcove or closet, it will be stated on a label on the dryer back.
- The dryer **MUST** be vented to the outdoors. See the EXHAUST INFORMATION sections 3 & 4.
- Minimum clearance between dryer cabinet and adjacent walls or other surfaces is:
0 in. either side
7.6 cm (3 in.) front and rear
- Minimum vertical space from floor to overhead cabinets, ceiling, etc. is 109 cm (43 in.) without pedestal, 140 cm (55 in.) with pedestal.
- Closet doors must be louvered or otherwise ventilated and must contain a minimum of 387 sq. cm (60 sq. in.) of open area equally distributed. If the closet contains both a washer and a dryer, doors must contain a minimum of 774 sq. cm (120 sq. in.) of open area equally distributed.
- The closet should be vented to the outdoors to prevent gas pocketing in case of a gas leak in the supply line.
- No other fuel-burning appliance shall be installed in the same closet with the dryer.

NOTE: WHEN THE EXHAUST DUCT IS LOCATED AT THE REAR OF THE DRYER, MINIMUM CLEARANCE FROM THE WALL IS 14 cm (5.5 IN.)

10 BATHROOM OR BEDROOM INSTALLATION

- The dryer **MUST** be vented to the outdoors. See EXHAUST INFORMATION section 6.
- The installation must conform with local codes or, in the absence of local codes, with the current CSA C22.1 Canadian Electrical code part 1.

11 MOBILE OR MANUFACTURED HOME INSTALLATION

- Installation must conform to the current CAN/CSA Z240 MH series Mobile Home Installation Codes.
- The dryer **MUST** be vented to the outdoors with the termination securely fastened to the mobile home structure. (See EXHAUST INFORMATION section 6.)
- The vent **MUST NOT** be terminated beneath a mobile or manufactured home.
- The vent duct material **MUST BE METAL**.
- KIT 14-D346-33 **MUST** be used to attach the dryer securely to the structure.
- The vent **MUST NOT** be connected to any other duct, vent, or chimney.
- Do not use sheet metal screws or other fastening devices which extend into the interior of the exhaust vent.
- Provide an opening with a free area of at least 161 cm sq. (25 sq. in.) for introduction of outside air into the dryer room.

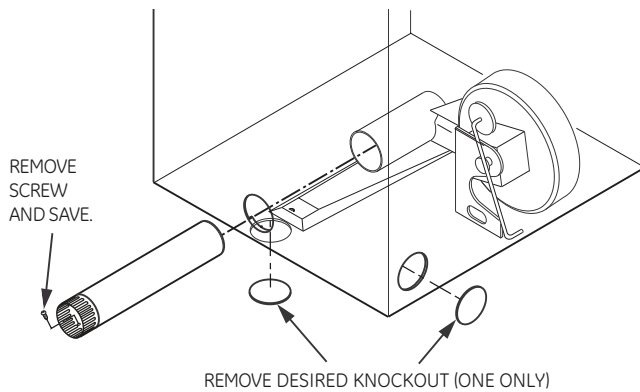
Gas Dryer

12 RESIDENTIAL GARAGE INSTALLATION

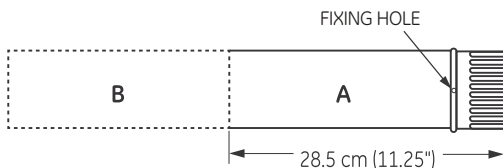
Dryers installed in residential garages must be elevated 18 inches (46cm) above the floor.

13 DRYER EXHAUST TO LEFT OR BOTTOM CABINET

⚠ WARNING - BEFORE PERFORMING THIS EXHAUST INSTALLATION, BE SURE TO DISCONNECT THE DRYER FROM ITS ELECTRICAL SUPPLY. PROTECT YOUR HANDS AND ARMS FROM SHARP EDGES WHEN WORKING INSIDE THE CABINET. BE SURE TO WEAR GLOVES.

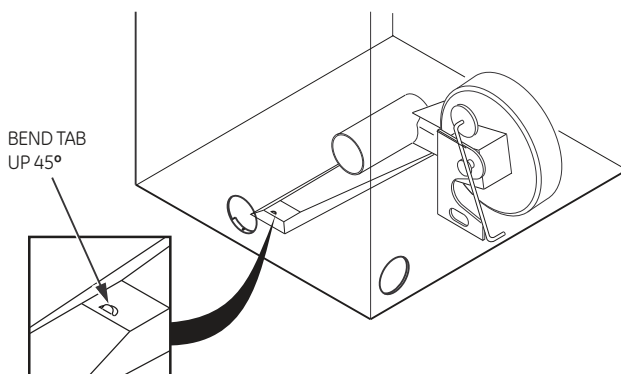


Detach and remove the bottom or left side knockout as desired. Remove the screw inside the dryer exhaust duct and save. Pull the duct out of the dryer. Protect sharp edges around the knockout and exhaust opening with the tape.



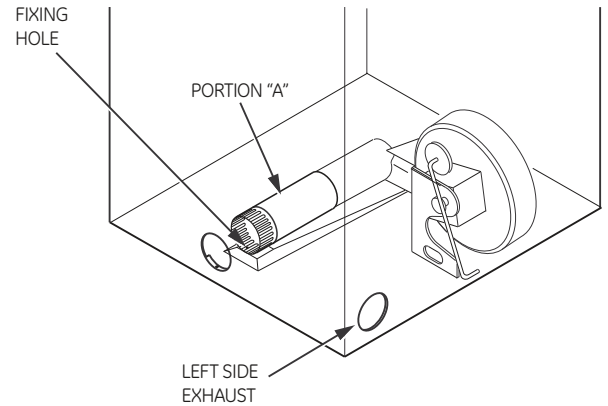
Cut the duct as shown and keep portion A.

TAB LOCATION



Through the rear opening, locate the tab in the middle of the dryer base. Lift the tab to about 45° using a flat blade screwdriver.

ADDING NEW DUCT

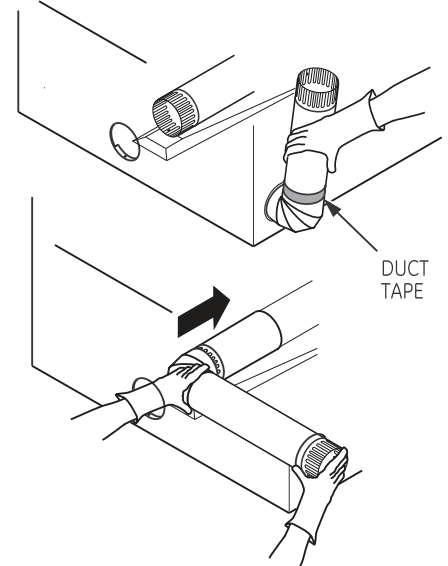


Reconnect the cut portion (A) of the duct to the blower housing. Make sure that the fixing hole is aligned with the tab in the base. Use the screw saved previously to secure the duct in place through the tab on the appliance base.

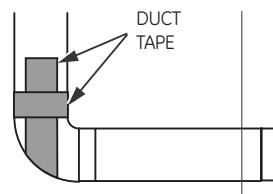
ADDING ELBOW AND DUCT FOR EXHAUST TO LEFT SIDE OF CABINET

- Preassemble 10 cm (4") elbow with 10 cm (4") duct. Wrap duct tape around joint.
- Insert duct assembly, elbow first, through the side opening and connect the elbow to the dryer internal duct.

CAUTION: Be sure not to pull or damage the electrical wires inside the dryer when inserting the duct.



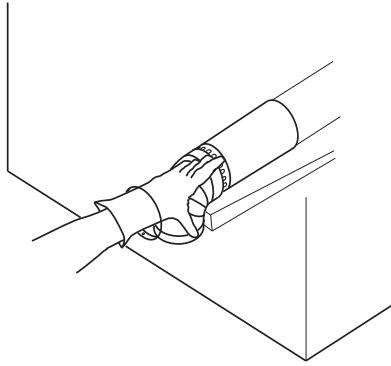
- Apply duct tape as shown on the joint between the dryer internal duct and the elbow.



CAUTION: Internal duct joints must be secured with tape, otherwise they may separate and cause a safety hazard.

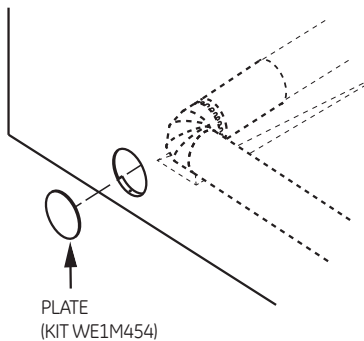
ADDING ELBOW FOR EXHAUST THROUGH BOTTOM OF CABINET

- Insert the elbow through the rear opening and connect it to the dryer internal duct.
- Apply duct tape on the joint between the dryer internal duct and elbow, as shown on page 7.



CAUTION:
Internal duct joints must be secured with tape, otherwise they may separate and cause a safety hazard.

ADDING COVER PLATE TO REAR OF CABINET



Connect standard metal elbows and ducts to complete the exhaust system. Cover back opening with a plate (Kit WE1M454) available from your local service provider. Place dryer in final location.

⚠ WARNING - NEVER LEAVE THE BACK OPENING WITHOUT THE PLATE. (Kit WE1M454)

14 SERVICING

⚠ WARNING - LABEL ALL WIRES PRIOR TO DISCONNECTING WHEN SERVICING CONTROLS. WIRING ERRORS CAN CAUSE IMPROPER AND DANGEROUS OPERATION AFTER SERVICING/INSTALLATION.

For servicing phone numbers for replacement parts, and other information, refer to Owner's Manual or visit our Web site.

Reversing the door.

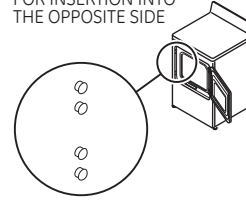
Reversing the Door

Tools needed:

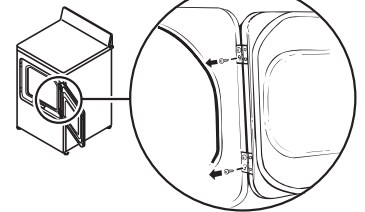
- Standard #2 Phillips screwdriver
- Tape-tipped putty knife

- 1 Open the door and remove the filler plugs opposite the hinges. With the door completely open, remove the bottom screw from each hinge on the dryer face. Insert these screws about half way into the **TOP** holes, for each hinge, on the opposite side (where you removed the filler plugs). Apply firm pressure to get the screw started in new holes.

REMOVE 4 PLUGS AND KEEP FOR INSERTION INTO THE OPPOSITE SIDE

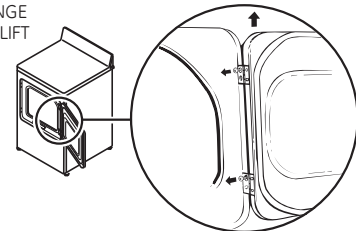


REMOVE **BOTTOM** SCREW FROM EACH HINGE AND INSTALL HALF WAY INTO EACH **TOP** OF OPPOSITE HINGE HOLES

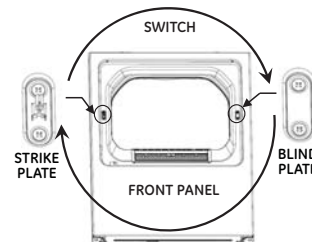


- 2 Loosen top screw from each hinge on the dryer face half way. With one hand holding the top of the door and the other hand holding the bottom, remove the door from the dryer by lifting it **UP** and **OUT**.

LOOSEN EACH TOP HINGE SCREW HALF WAY AND LIFT THE DOOR UP AND OFF

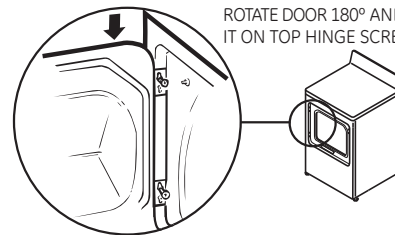


- 3 Remove the blind plate from the hinge side of the dryer by removing its two screws. Remove the strike plate from the opposite side of the dryer by removing its two screws. Reinstall the plates, on the opposite sides, using two screws in each plate.



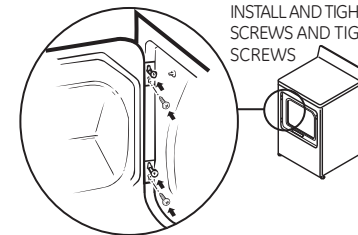
- 4 Rotate the door 180°. Insert it on the opposite side of the opening by moving the door **IN** and **DOWN** until the top hinge and the bottom hinge are resting on the top screws inserted in step 1.

ROTATE DOOR 180° AND HANG IT ON TOP HINGE SCREWS

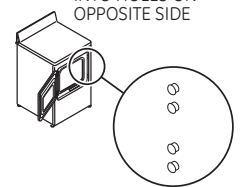


- 5 Remove the remaining screws from the side of the opening from which the door was removed. With these screws, secure each hinge at the bottom. Tighten the two top screws of each hinge. Reinsert the plastic plugs on the side from which the door was removed.

INSTALL AND TIGHTEN BOTTOM SCREWS AND TIGHTEN TOP SCREWS

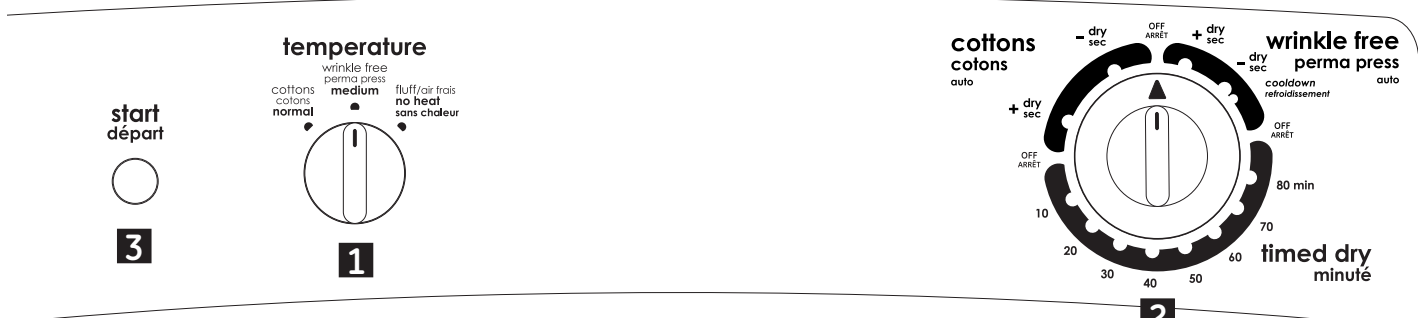
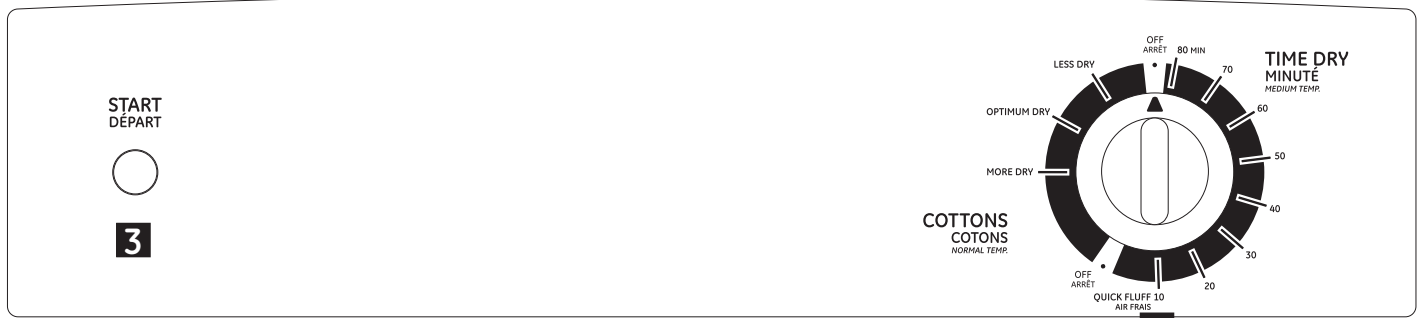


INSERT PLUGS INTO HOLES ON OPPOSITE SIDE



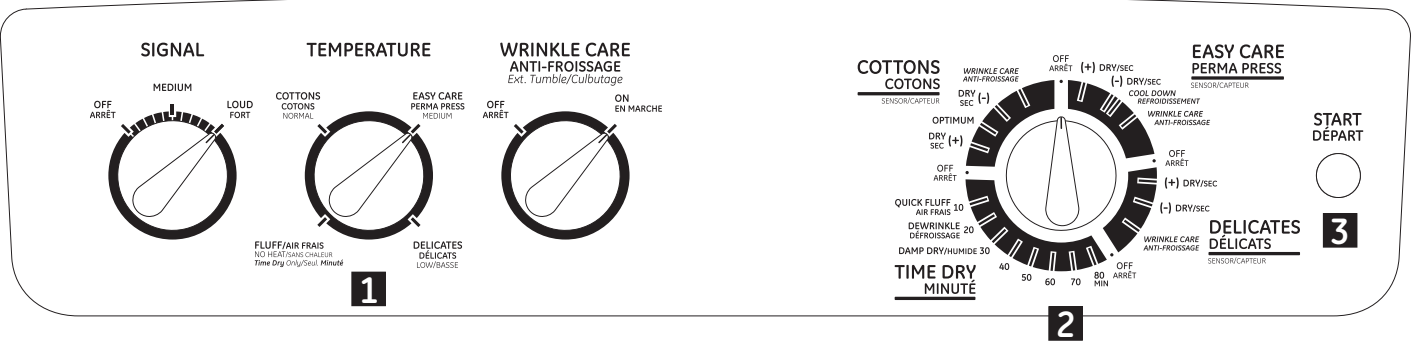
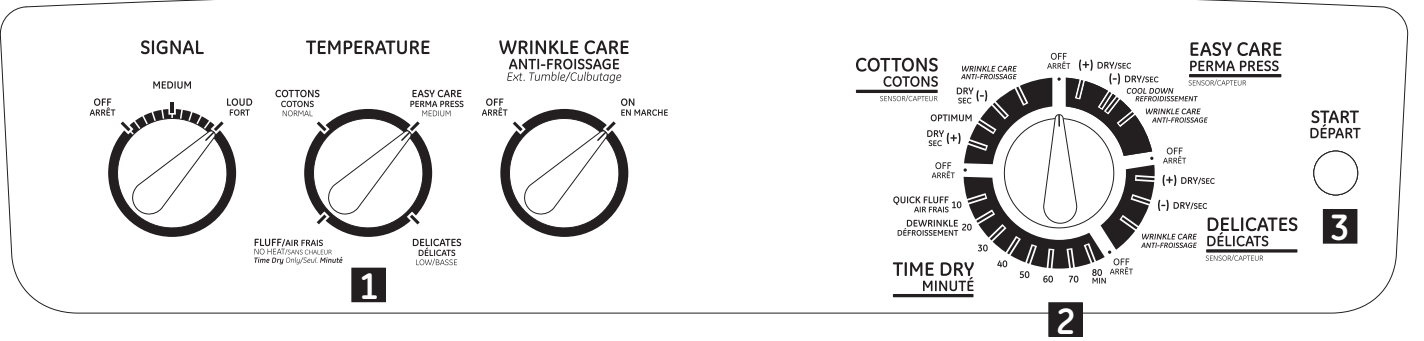
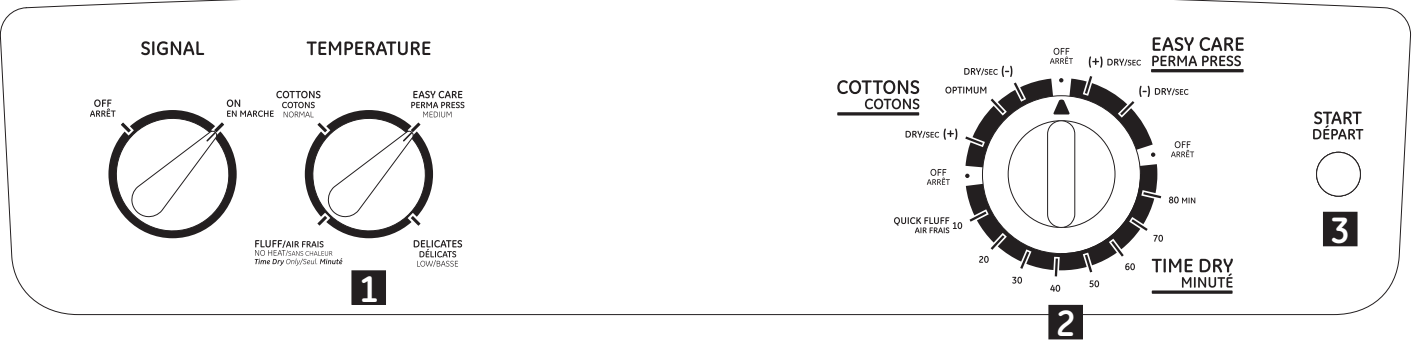
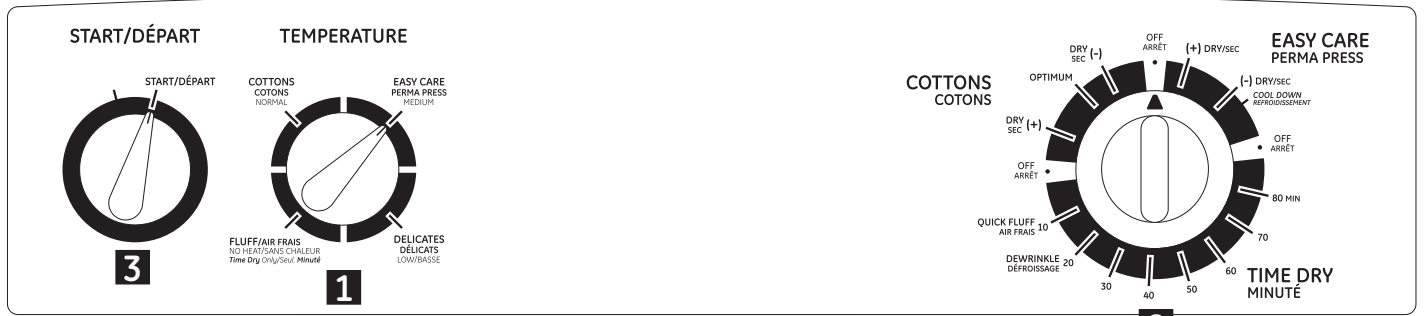
About the dryer control panel

Throughout this manual, features and appearance may vary from your model.



About the dryer control panel

Throughout this manual, features and appearance may vary from your model.



NOTE: Drying times will vary according to the type of heat used (Electric, Natural or LP gas), size of load, types of fabrics, wetness of clothes and condition of exhaust ducts.

Important: Clean the lint filter each time you use the dryer.

1 Fabric Care/Temperature (on some models)

REGULAR or COTTONS REG. HEAT	For regular to heavy cottons.
MEDIUM, EASY CARE MED. HEAT, EASY CARE or PERMA PRESS MED. HEAT	For synthetics, blends, delicates and items labeled <i>permanent press</i> .
DELICATES LOW HEAT	On some models. For delicates, synthetics and items labeled <i>tumble dry low</i> .
FLUFF NO HEAT	For <i>fluffing</i> items without heat. Use the TIMED DRY cycle.

Automatic cycles automatically determine fabric dryness. Select **LESS DRY** if you want your clothes slightly damp at the end of the drying cycle. Select **MORE DRY** if you want them to feel drier. Timed cycles run for a selected time.

2 Drying Cycles

COTTONS	For cottons and most linens. For most loads, select OPTIMUM DRY (on some models) or select the Preferred Regular Setting marked with an *.
EASY CARE/ PERMANENT PRESS	For wrinkle-free, permanent press and delicate items, and knits.
DELICATES	For delicate items, special-care fabrics and knits.
TIMED DRY	Set the Cycle Selector at the desired drying time.
DAMP DRY	For leaving items partially damp.
DEWRINKLE	For removing wrinkles from items that are clean and dry or that are very lightly damp.
QUICK FLUFF	For freshening or fluffing up already dry clothing, fabrics, linens and pillows. Use with FLUFF NO HEAT . Provides 10 minutes of no heat tumbling.

3 Start — Close the dryer door. Select **START**. Opening the door during operation will stop the dryer. To restart the dryer, close the door and select **START** to complete the cycle.

Color Logic (on some models)

Select the correct **FABRIC CARE** setting. Match the particular color below the words with the same color on the Cycle Dial.

Example: Drying a load of clothing labeled *permanent press*.

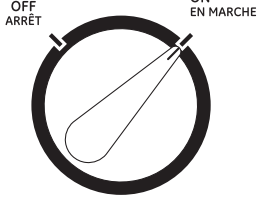
1 Choose the **FABRIC CARE** setting—for this load it would be the **EASY CARE MED. HEAT** (which is a particular color).

2 Turn the Cycle Dial to the area that has the same color as the **FABRIC CARE** setting you have chosen—for this load it would be the **EASY CARE AUTOMATIC**.

About the dryer features

WRINKLE CARE ANTI-FROISSAGE

Ext. Tumble/Culbutage



Wrinkle Care (on some models)

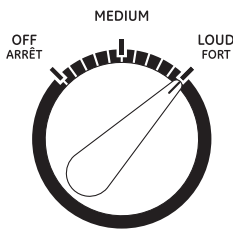
Use this option to minimize the wrinkles in clothes. It provides approximately 15 minutes of no-heat tumbling after the clothes are dry.

This option can only be used with the **COTTONS** and **EASY CARE** cycles.

If you are using the **CYCLE SIGNAL** knob and you select the **WRINKLE CARE** option, a signal will sound at the end of the drying time and several times during the **WRINKLE CARE** cycle. This will remind you that it is time to remove the clothes.

If **WRINKLE CARE** is not on, the dryer will stop once the timer reaches the **WRINKLE CARE** mark on the cycle dial.

SIGNAL



Cycle Signal Option (on some models)

This signal will sound just before the end of the cycle to remind you to remove the clothes. On some models, the signal sound level cannot be adjusted.

If you selected the **WRINKLE CARE** option, the signal will sound at the end of the drying time and will sound several times during the **WRINKLE CARE** cycle. This will remind you that it is time to remove the clothes.

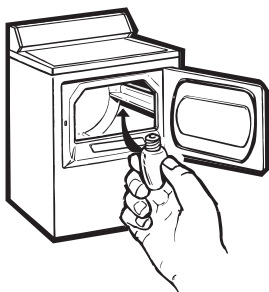
NOTE:

- Remove garments promptly at the sound of the signal. Place clothes on hangers so wrinkles won't set in.
- Use the Cycle Signal especially when drying fabrics like polyester knits and permanent press. These fabrics should be removed so wrinkles won't set in.

Automatic Cycle Signal (on some models)

At the end of each cycle, there is approximately 15 minutes of no-heat tumbling after the laundry is dry.

A reminder signal will sound periodically during this time to remind you to remove the laundry.



Drum Lamp

Before replacing the light bulb, be sure to unplug the dryer power cord or disconnect the dryer at the household distribution panel by removing the fuse or switching off the circuit breaker. Reach above dryer opening from inside the drum. Remove the bulb and replace with the same size bulb.

Stainless Steel Drum (on some models)

The stainless steel used to make the dryer drum provides the highest reliability available in a GE dryer. If the dryer drum should be scratched or dented during normal use, the drum will not rust or corrode. These surface blemishes will not affect the function or durability of the drum.

Always follow the fabric manufacturer's care label when laundering.



Sorting and Loading Hints

As a general rule, if clothes are sorted properly for the washer, they are sorted properly for the dryer. Try also to sort items according to size. For example, do not dry a sheet with socks or other small items.

Do not add fabric softener sheets once the load has become warm. They may cause fabric softener stains. Bounce® Fabric Conditioner Dryer Sheets have been approved for use in all GE Dryers when used in accordance with the manufacturer's instructions.

Do not overload. This wastes energy and causes wrinkling.

Do not dry the following items: fiberglass items, woolens, rubber-coated items, plastics, items with plastic trim and foam-filled items.

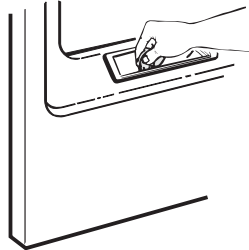


Care and Cleaning of the Dryer

The Exterior: Wipe or dust any spills or washing compounds with a damp cloth. Dryer control panel and finishes may be damaged by some laundry pretreatment soil and stain remover products. Apply these products away from the dryer. The fabric may then be washed and dried normally. Damage to your dryer caused by these products is not covered by your warranty.

The Lint Filter: Clean the lint filter before each use.

Pull out the lint filter. Moisten your fingers and remove the captured lint. Once clean, slide the filter back into position. Have a qualified technician vacuum the lint from the dryer once a year.



Stainless Steel: To clean stainless steel surfaces, use a damp cloth with a mild, non-abrasive cleaner suitable for stainless steel surfaces. Remove the cleaner residue, and then dry with a clean cloth.

The Exhaust Duct: Inspect and clean the exhaust ducting at least once a year to prevent clogging. A partially clogged exhaust can lengthen the drying time.

Follow these steps:

- 1 Turn off electrical supply by disconnecting the plug from the wall socket.
- 2 Disconnect the duct from the dryer.
- 3 Vacuum the duct with the hose attachment and reconnect the duct.

The Exhaust Hood: Check with a mirror that the inside flaps of the hood move freely when operating. Make sure that there is no wildlife (birds, insects, etc.) nesting inside the duct or hood.

Before you call for service...



Troubleshooting Tips

Save time and money! Review the charts on the following pages, or visit GEAppliances.ca. You may not need to call for service.

PROBLEM	Possible Causes	What To Do
Dryer doesn't start	Dryer is unplugged	<ul style="list-style-type: none"> • Make sure the dryer plug is pushed completely into the outlet.
	Fuse is blown/circuit breaker is tripped	<ul style="list-style-type: none"> • Check the building's fuse/circuit breaker box and replace fuse or reset breaker. NOTE: Most electric dryers use two fuses or breakers.
Dryer doesn't heat	Fuse is blown/circuit breaker is tripped; the dryer may tumble but not heat	<ul style="list-style-type: none"> • Check the building's fuse/circuit breaker box and replace both fuses or reset both breakers. Your dryer may tumble if only one fuse is blown or one breaker tripped.
	Gas service is off	<ul style="list-style-type: none"> • Make sure gas shutoff at dryer and main shutoff are fully open.
Dryer shakes or makes noise	Some shaking/noise is normal. Dryer may be sitting unevenly	<ul style="list-style-type: none"> • Move dryer to an even floor space, or adjust leveling legs as necessary until even.
Greasy spots on clothes	Improper use of fabric softener	<ul style="list-style-type: none"> • Follow directions on fabric softener package.
	Drying dirty items with clean ones	<ul style="list-style-type: none"> • Use your dryer to dry only clean items. Dirty items can stain clean items and the dryer
	Clothes were not completely clean	<ul style="list-style-type: none"> • Sometimes stains which cannot be seen when the clothes are wet <i>appear</i> after drying. Use proper washing procedures before drying.
Lint on clothes	Lint filter is full	<ul style="list-style-type: none"> • Clean lint screen before each load.
	Improper sorting	<ul style="list-style-type: none"> • Sort lint producers (like chenille) from lint collectors (like corduroy).
	Static electricity can attract lint	<ul style="list-style-type: none"> • See suggestions in this section under STATIC.
	Overloading	<ul style="list-style-type: none"> • Separate large loads into smaller ones.
	Paper, tissue, etc., left in pockets	<ul style="list-style-type: none"> • Empty all pockets before laundering clothes.
Static occurs	No fabric softener was used	<ul style="list-style-type: none"> • Try a fabric softener. • Bounce® Fabric Conditioner Dryer Sheets have been approved for use in all GE Dryers when used in accordance with the manufacturer's instructions.
	Overdrying	<ul style="list-style-type: none"> • Try a fabric softener. • Adjust setting to LESS DRY or DAMP.
	Synthetics, permanent press and blends can cause static	<ul style="list-style-type: none"> • Try a fabric softener.
Inconsistent drying times	Type of heat	<ul style="list-style-type: none"> • Automatic drying times will vary according to the type of heat used. If you recently changed from an electric to a gas (natural or LP) dryer, or vice versa, the drying time could be different.

PROBLEM	Possible Causes	What To Do
Clothes take too long to dry	Improper or obstructed ducting	<ul style="list-style-type: none"> • Check the Installation Instructions to make sure the dryer venting is correct. • Make sure ducting is clean, free of kinks and unobstructed. • Check to see if outside wall damper operates easily.
	Improper sorting	<ul style="list-style-type: none"> • Separate heavy items from lightweight items (generally, a well-sorted washer load is a well-sorted dryer load).
	Large loads of heavy fabrics (like beach towels)	<ul style="list-style-type: none"> • Large, heavy fabrics contain more moisture and take longer to dry. Separate large, heavy fabrics into smaller loads to speed drying time.
	Controls improperly set	<ul style="list-style-type: none"> • Match control settings to the load you are drying.
	Lint filter is full	<ul style="list-style-type: none"> • Clean lint filter before every load.
	Blown fuses or tripped circuit breaker	<ul style="list-style-type: none"> • Replace fuses or reset circuit breakers. Since most dryers use 2 fuses/breakers, make sure both are operating.
	Overloading/combining loads	<ul style="list-style-type: none"> • Do not put more than one washer load in the dryer at a time.
Clothes are wrinkled	Underloading	<ul style="list-style-type: none"> • If you are drying only one or two items, add a few items to ensure proper tumbling.
	Overdrying	<ul style="list-style-type: none"> • Select a shorter drying time. • Remove items while they still hold a slight amount of moisture. Select a LESS DRY or DAMP setting.
	Letting items sit in dryer after cycle ends	<ul style="list-style-type: none"> • Remove items when cycle ends and fold or hang immediately.
Clothes shrink	Overloading	<ul style="list-style-type: none"> • Separate large loads into smaller ones.
	Some fabrics will naturally shrink when washed. Others can be safely washed, but will shrink in the dryer	<ul style="list-style-type: none"> • To avoid shrinkage, follow garment care labels exactly. • Some items may be pressed back into shape after drying. • If you are concerned about shrinkage in a particular item, do not machine wash or tumble dry it.

Consumer Support

Troubleshooting Tips

Operating Instructions

Installation Instructions

Safety Instructions

Notes

GE Dryer Warranty (For customers in Canada)

www.GEAppliances.ca



All warranty service provided by our Factory Service Centers, or an authorized Customer Care® technician. To schedule service, call 1-800-561-3344, 24 hours a day, 7 days a week.

Staple your receipt here.
Proof of the original purchase date is needed to obtain service under the warranty.

For The Period Of:

We Will Replace:

One Year

From the date of the original purchase

Any part of the dryer which fails due to a defect in materials or workmanship. During this **full one-year warranty**, Mabe will also provide, **free of charge**, all labor and related service costs to replace the defective part.

What Is Not Covered:

- Service trips to your home to teach you how to use the product.
- Improper installation, delivery or maintenance.
- Failure of the product if it is abused, misused or used for other than the intended purpose or used commercially.
- Replacement of house fuses or resetting of circuit breakers.
- Damage to the product caused by accident, fire, floods or acts of God.
- Incidental or consequential damage caused by possible defects with this appliance.
- Damage caused after delivery.

This warranty is extended to the original purchaser and any succeeding owner for products purchased for home use within Canada. In-home warranty service will be provided in areas where it is available and deemed reasonable by Mabe to provide.

Warrantor: Mabe Canada Inc., Burlington, ON L7R 5B6

Safety Instructions

Installation Instructions

Operating Instructions

Troubleshooting Tips

Consumer Support

Consumer Support



GE Appliances Website

GEAppliances.ca

Have a question or need assistance with your appliance? Try the GE Appliances Website 24 hours a day, any day of the year! For greater convenience and faster service, you can now download Owner's Manuals, order parts, catalogs, or even schedule service on-line. You can also "Ask Our Team of Experts™" your questions and so much more...



Schedule Service

1.800.561.3344 or GEAppliances.ca

Expert Mabe repair service is only one step away from your door. Get on-line and schedule your service at your convenience 24 hours any day of the year! Call 1.800.561.3344 during normal business hours.



Real Life Design Studio

GE supports the Universal Design concept---products, services and environments that can be used by people of all ages, sizes and capabilities. We recognize the need to design for a wide range of physical and mental abilities and impairments. For details of GE's Universal Design applications, including kitchen design ideas for people with disabilities, check out our Website today.

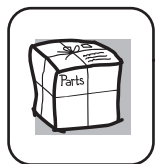
In Canada, contact: Director, Consumer Relations, Mabe Canada Inc.
Suite 310, 1 Factory Lane
Moncton, N.B. E1C 9M3



Extended Warranties

1.888.261.2133 or GEAppliances.ca

Purchase a Mabe extended warranty and learn about special discounts that are available while your warranty is still in effect. You can purchase it on-line anytime, or call 1.888.261.2133 during normal business hours. Mabe Consumer Service will still be there after your warranty expires.



Parts and Accessories

1.800.661.1616 or GEAppliances.ca

Individuals qualified to service their own appliances can have parts or accessories sent directly to their homes (VISA, MasterCard and Discover cards are accepted). Order on-line today, 24 hours every day or by phone at 1.800.661.1616 during normal business hours.

Instructions contained in this manual cover procedures to be performed by any user. Other servicing generally should be referred to qualified service personnel. Caution must be exercised, since improper servicing may cause unsafe operation.



Contact Us

GEAppliances.ca

If you are not satisfied with the service you receive from GE, contact us on our Website with all the details including your phone number, or write to:

Director, Consumer Relations, Mabe Canada Inc.
Suite 310, 1 Factory Lane
Moncton, N.B. E1C 9M3



Register Your Appliance

GEAppliances.ca

Register your new appliance on-line—at your convenience! Timely product registration will allow for enhanced communication and prompt service under the terms of your warranty, should the need arise. You may also mail in the pre-printed registration card included in the packing material.

Safety Instructions

Operating Instructions

Care and Cleaning

Consumer Support

Mesures de sécurité

Directives de fonctionnement

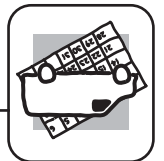
Entretien et nettoyage

Service à la clientèle



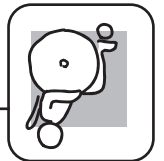
Vous avez une question ou vous avez besoin d'aide pour votre appareil électroménager? Contactez-nous par Internet via le site electromenagers.ca 24 heures par jour, tous les jours de l'année.

electromenagers.ca



Le service de réparation Mabe est tout près de chez vous. Composez le 1.800.561.3344.

1.800.561.3344 ou electromenagers.ca



Sur demande, GE peut fournir une brochure sur l'aménagement d'une cuisine pour les personnes à mobilité réduite.

Au Canada, écrivez à l'adresse suivante : Directeur, Relations avec les consommateurs, Mabe Canada Inc.

Bureau 310, 1 Factory Lane

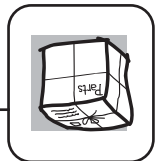
Moncton, N.B. E1C 9M3

1.888.261.2133 ou electromenagers.ca



Achetez un contrat d'entretien Mabe et bénéficiez d'un rabais substantiel pendant que votre garantie est encore en vigueur. Ainsi le service après-vente Mabe sera toujours là après expiration de la garantie. Visitez notre site Web ou appelez-nous au 1.888.261.2133.

Prolongation de garantie



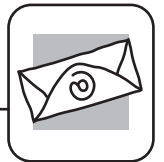
Les gens qui désirent réparer eux-mêmes leurs électroménagers peuvent recevoir des pièces et des accessoires directement à la maison (cartes VISA, MasterCard et Discover acceptées). Veuillez composer le 1.800.661.1616 ou communiquez avec la succursale Mabe de votre région.

1.800.661.1616 ou electromenagers.ca

Pièces et accessoires

Les directives données dans le présent manuel peuvent être effectuées par n'importe quel utilisateur. Les autres réparations doivent être généralement confiées à un technicien qualifié. Il faut faire preuve de prudence car une réparation inadéquate peut affecter le fonctionnement sécuritaire de l'appareil.

Contactez-nous



Si vous n'êtes pas satisfait du service après-vente dont vous avez bénéficié : PREMIÈREMENT, communiquez avec les gens qui ont réparé votre appareil. ENSUITE, si vous n'êtes toujours pas satisfait, écrivez à l'adresse suivante, en fournissant tous les détails, y compris votre numéro de téléphone :

Directeur, Relations avec les consommateurs, Mabe Canada Inc.

Bureau 310, 1 Factory Lane

Moncton, N.B. E1C 9M3

Dans toute correspondance, veuillez fournir tous les détails, comme les numéros de modèle et de série, la date d'achat, ainsi que votre numéro de téléphone.

Inscrivez votre appareil électroménager



Inscrivez votre appareil électroménager en direct, aussitôt que possible. Cela améliorera nos communications et notre service après-vente. Vous pouvez également nous envoyer par la poste le formulaire d'inscription joint à votre documentation.

Garantie de votre sècheuse GE (pour les clients au Canada seulement)



Toutes les réparations sous garantie seront effectuées par nos centres de réparation ou par un technicien Customer Care^{MD} autorisé. Pour prendre un rendez-vous, composez le 1-800-561-3344 24 heures sur 24, 7 jours par semaine.

Agrafez votre facture ici. Pour bénéficier de réparation sous garantie, il est nécessaire de présenter une preuve de la date d'achat d'origine.

Période :

Nous remplacerons :

Un an À compter de la date d'achat d'origine
Toute pièce de la sècheuse qui se révèle défectueuse en raison d'un vice de matières ou de fabrication. Pendant cette **garantie complète d'un an**, Mabe **assumera également** tous les frais de main-d'œuvre et les frais connexes de service pour remplacer la pièce défectueuse.

Ce qui n'est pas couvert :

- Toute visite à votre domicile pour vous expliquer le fonctionnement de l'appareil.
- Une installation, une livraison ou un entretien inadéquats.
- Toute défectuosité du produit lorsqu'il est utilisé de façon abusive, à des fins commerciales ou à toute autre fin que celle pour laquelle il a été conçu.
- Le remplacement des fusibles ou le réenclenchement des disjoncteurs du panneau de distribution.

La présente garantie est accordée à l'acheteur d'origine et à tout propriétaire subséquent du produit acheté pour utilisation domestique au Canada. Le service de réparation à domicile sous garantie est offert dans les régions où Mabe est raisonnablement en mesure de l'offrir.

Garant : Mabe Canada Inc., Burlington, ON L7R 5B6

Mesures de sécurité

Directives d'installation

Directives de fonctionnement

Conseils de dépannage

Service à la clientèle

<i>Service à la clientèle</i>	<i>Conseils de dépannage</i>	<i>Directives de fonctionnement</i>	<i>Directives d'installation</i>	<i>Mesures de sécurité</i>
-------------------------------	------------------------------	-------------------------------------	----------------------------------	----------------------------

PROBLÈME	Causes Possibles	Correctifs
Durées de séchage irrégulières	Type de chaleur	<ul style="list-style-type: none"> Les durées de séchage varient selon le type d'énergie utilisé. Si vous avez dernièrement remplacé un modèle électrique par une sècheuse à gaz (naturel ou propane) ou l'inverse, il est possible que les durées de séchage soient différentes.

Type de brassée et conditions de séchage	<ul style="list-style-type: none"> La grosseur de la brassée, les types de tissus, le degré d'humidité des vêtements, ainsi que la longueur et l'état du système d'évacuation ont une influence sur les durées de séchage. 	
Les vêtements prennent trop de temps à sécher	Conduit d'évacuation inadéquat ou obstrué	<ul style="list-style-type: none"> Vérifiez les directives d'installation pour vous assurer que l'évacuation de la sècheuse est adéquate. Assurez-vous que le conduit est propre, qu'il n'est pas plié ni obstrué. Vérifiez si le volet de l'évent mural bouge librement.

Tri incorrect	<ul style="list-style-type: none"> Séparer les articles épais des articles légers (en général, lorsque la brassée est bien triée pour le lavage, elle l'est aussi pour le séchage). 	
---------------	--	--

Grosses brassées d'articles épais (comme des serviettes de plage)	<ul style="list-style-type: none"> Les gros articles épais retiennent davantage d'humidité et prennent plus de temps à sécher. Faites sécher de plus petites brassées pour accélérer le séchage. 	
Commandes mal réglées	<ul style="list-style-type: none"> Régalez les commandes en fonction de la brassée que vous faites sécher. 	

Filter à charpie plein	<ul style="list-style-type: none"> Nettoyez le filtre à charpie avant chaque utilisation. 	
Fusibles grillés ou disjoncteurs déclenchés	<ul style="list-style-type: none"> Remplacez les fusibles ou réenclenchez les disjoncteurs. Comme la plupart des sècheuses nécessitent deux fusibles/disjoncteurs, assurez-vous que les deux sont en bon état. 	

Surcharge/brassées mixtes	<ul style="list-style-type: none"> Ne mettez dans la sècheuse qu'une brassée de linge à la fois. 	
Brassées trop petite	<ul style="list-style-type: none"> Lorsque vous ne faites sécher qu'un ou deux articles, ajoutez quelques vêtements pour assurer un culbutage adéquat. 	

Les vêtements sont froissés	Séchage excessif	<ul style="list-style-type: none"> Choisissez une durée de séchage plus courte. Retirez les vêtements de la sècheuse lorsqu'ils sont encore légèrement humides. Choisissez l'option – SEC ou HUMIDE.
Articles laissés dans la sècheuse après la fin du programme	<ul style="list-style-type: none"> Retirez les articles de la sècheuse lorsque le programme est terminé. Pliez-les ou suspendez-les immédiatement, ou choisissez l'option CULBUTAGE +. 	
Surcharge	<ul style="list-style-type: none"> Divisez les grosses brassées en brassées plus petites. 	

Les vêtements rétrécissent	Certains tissus rétrécissent au lavage. D'autres peuvent être lavés en toute sécurité, mais rétrécissent au séchage	<ul style="list-style-type: none"> Pour éviter tout rétrécissement, suivez à la lettre les directives sur l'étiquette d'entretien des vêtements. Certains articles peuvent retrouver leur forme d'origine après le séchage grâce à un pressage. Lorsque vous ne savez pas si un article rétrécit ou non, ne le lavez pas ou ne le faites pas sécher à la machine.
----------------------------	---	--

Avant d'appeler un réparateur...

Conseils de dépannage
 Économisez du temps et de l'argent! Consultez d'abord GEAppliances.ca
 les tableaux qui suivent ou visitez le site de service.
 Vous pourriez éviter un appel de service.



PROBLÈME Causes Possibles Correctifs

La sècheuse ne se met pas en marche
 La sècheuse est débranchée
 Assurez-vous que la fiche de la sècheuse est complètement insérée dans la prise de courant.

Un fusible est grillé ou un disjoncteur est déclenché
 Vérifiez le fusible ou le disjoncteur dans le tableau de distribution, et remplacez le fusible ou réencadrez le disjoncteur. **REMARQUE :** les sècheuses électriques sont protégées par deux fusibles ou disjoncteurs.

La sècheuse ne chauffe pas
 Un fusible est grillé ou un disjoncteur est déclenché ; le tambour peut tourner mais il n'y a pas de chaleur
 Vérifiez les fusibles et les disjoncteurs dans le tableau de distribution de la résidence, et remplacez les deux fusibles ou réencadrez les deux disjoncteurs. Il est possible que le tambour tourne si un seul fusible est grillé ou si un seul disjoncteur est déclenché.

L'alimentation en gaz est coupée
 Assurez-vous que le robinet d'arrêt de la sècheuse et le robinet d'arrêt principal sont complètement ouverts.
Un peu de vibration ou de bruit est normal. Il est possible que la sècheuse ne repose pas solidement sur le plancher
 Installez la sècheuse sur un plancher uniforme ou réglez les pieds de nivellement afin que la sècheuse soit de niveau.

Taches de graisse sur les vêtements
 Utilisation inadéquate d'assouplissant
 Suivez les directives inscrites sur l'emballage de l'assouplissant.
Séchage d'articles sales avec des articles propres
 Ne faites sécher que des articles propres dans votre sècheuse. Les articles sales peuvent tacher les articles propres et la sècheuse.

Nettoyage insuffisant des vêtements
 Parfois, les taches qui sont invisibles lorsque les articles sont mouillés apparaissent après le séchage. Utilisez le procédé de lavage approprié avant de sécher les articles.
Charge sur les vêtements
 Filtre à charpie plein
 Nettoyez le filtre à charpie avant chaque utilisation.
 Tri incorrect
 Séparez les tissus qui produisent de la charpie de ceux qui la recueillent.

Charpie attirée par l'électricité
 Voir les suggestions données à la section **ÉLECTRICITÉ STATIQUE** ci-dessous.
Surcharge
 Divisez les grosses brassées en brassées plus petites.
 Papier, papier-mouchoir, etc., oubliés dans les poches

Électricité statique
 Aucun produit assouplissant utilisé
 Les feuilles d'assouplissant de tissus Bounce™ pour sècheuse ont été approuvées pour toutes les sècheuses GE si elles sont utilisées conformément aux instructions du fabricant.
Séchage excessif
 Utilisez un produit assouplissant.
 Utilisez les options **-SEC** ou **HUMIDE**.
 Utilisez un produit assouplissant.

Les mélanges, les tissus synthétiques et sans repassage peuvent causer de l'électricité statique
 Utilisez un produit assouplissant.

Pour le lavage, suivez toujours les directives indiquées sur les étiquettes d'entretien des tissus du fabricant.

Conseils pour le tri et le chargement



En règle générale, lorsque les vêtements sont correctement triés pour le lavage, ils le sont aussi pour le séchage. Triez les articles en fonction de leurs dimensions. Par exemple, ne faites pas sécher un drap avec des chaussettes ou d'autres petits articles.

N'ajoutez pas votre feuille d'assouplissant textile lorsque la brassée a commencé à chauffer, car elle risque de tacher vos vêtements. Les feuilles d'assouplissant de tissus Bounce™ pour sécheuses ont été approuvées pour toutes les sécheuses GE si

Ne surchargez pas la sécheuse car c'est une perte d'énergie et cela peut provoquer des faux plis.

Ne faites pas sécher les articles suivants dans la sécheuse : articles en fibre de verre, lainages, articles recouverts de caoutchouc, plastiques, articles dotés d'une garniture en plastique, articles remplis de mousse de caoutchouc.

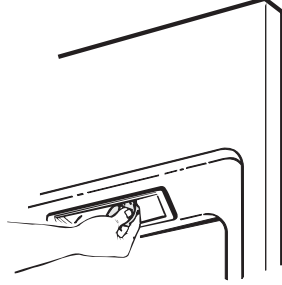
Entretien et nettoyage de la sécheuse



Extérieur : essuyez les produits de lessive renversés et enlevez la poussière avec un linge humide. Le

fini et le tableau de commande de la sécheuse peuvent être endommagés par certains produits de traitement préliminaire et détachants. Appliquez ces produits loin de la sécheuse. Vous pouvez ensuite laver et faire sécher les vêtements normalement. Les dommages causés à votre sécheuse par ces produits ne sont pas couverts par votre garantie.

Filter à charpie : nettoyez le filtre à charpie avant chaque utilisation.



Tirez le filtre à charpie vers le haut. Mouillez vos doigts et enlevez la charpie. Remettez ensuite le filtre en place. Une fois par année, faites nettoyer la charpie accumulée dans la sécheuse par un technicien qualifié.

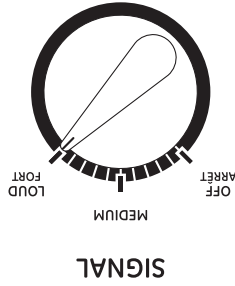
Évent mural : Assurez-vous à l'aide d'un miroir que le volet à l'intérieur de l'évent bouge facilement quand la sécheuse fonctionne. Assurez-vous qu'il n'y a pas de nid (d'oiseaux, d'insectes, etc.) à l'intérieur du conduit d'évacuation ou de l'évent.

Conduit d'évacuation : inspectez et nettoyez au moins une fois par année le conduit d'évacuation de la sécheuse afin d'éviter qu'il ne se bloque. Lorsque le conduit d'évacuation est partiellement obstrué, cela a pour effet d'allonger la durée de séchage.

Suivez ces étapes :

- 1 Coupez l'alimentation électrique en débranchant le cordon d'alimentation de la prise murale.
- 2 Débranchez le conduit d'évacuation de la sécheuse.
- 3 Passez le tuyau de l'aspirateur dans le conduit d'évacuation, et rebranchez le conduit d'évacuation à la sécheuse.

Signal (sur certains modèles)



Un signal sonore se fera entendre vers la fin du temps de séchage pour vous rappeler de retirer les vêtements. Sur certains modèles, le niveau de son ne peut pas être ajusté.

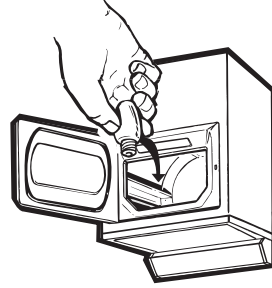
Si vous avez sélectionné l'option **ANTI-FROISSAGE**, le signal sonore se fera entendre à la fin du temps de séchage et à plusieurs reprises pendant le cycle **ANTI-FROISSAGE**. Cela vous rappellera de retirer les vêtements.

- NOTE :**
- Retirez les vêtements lorsque le signal sonore se fait entendre afin d'éviter les plis.
 - Utilisez le SIGNAL surtout quand vous séchez des tissus tels que des tricots et ceux exigeant un pressage permanent. Ces articles devraient être retirés afin d'éviter les plis.

Signal automatique (sur certains modèles)

À la fin de chaque brassée, il y a approximativement 15 minutes de cultutage sans chaleur après que les vêtements sont secs.

Un rappel sonore se fera entendre occasionnellement pendant cette période pour vous rappeler de retirer les vêtements.



Lampe de tambour (sur certains modèles)

Avant de remplacer l'ampoule, assurez-vous de débrancher le cordon d'alimentation de la sècheuse ou de couper l'alimentation électrique en enlevant le fusible ou en débranchant le disjoncteur dans le panneau de distribution de la résidence. Penchez-vous à l'intérieur de l'ouverture du tambour. Enlevez l'ampoule et remplacez-la par une ampoule identique.

Tambour en acier inoxydable (sur certains modèles)

Pour nettoyer les surfaces en acier inoxydable, utilisez un chiffon humide et un détergent doux non abrasif convenant aux surfaces en acier inoxydable. Retirez les résidus de produit nettoyant, puis séchez-les avec un chiffon propre.

L'acier inoxydable utilisé pour la fabrication du tambour de la sècheuse vous offre la meilleure fiabilité possible dans une sècheuse GE. Si le tambour de la sècheuse venait à être marqué ou rayé en cours d'usage normal, il ne rouillerait pas. Ses dommages superficiels n'affecteront pas sa durabilité ni son fonctionnement.

Les options de votre sècheuse

www.electromenagerse.ca

IMPORTANT: nettoyez le filtre à charpie avant chaque utilisation.

Mesures de sécurité

Directives d'installation

Directives de fonctionnement

Conseils de dépannage

Service à la clientèle

1 Température

COTONS	Pour le coton.
PERMA PRESS	Pour les tissus synthétiques, mixtes, délicats et articles étiquetés pour le pressage permanent.
DÉLICATS	(certains modèles) Pour tissus délicats, synthétiques et articles étiquetés pour le séchage par <i>culbutage à faible température</i> .
AIR FRAIS sans chaleur	Pour faire culbuter les articles sans chaleur. Réglez le temps de séchage avec MINUTE .

2 Programmes de séchage

Les programmes automatiques déterminent seuls le niveau de séchage du tissu. Pour obtenir légèrement humides, sélectionnez **MOINS SEC**. Sélectionnez **PLUS SEC** pour les sécher davantage.

COTONS	Pour les cotons et la plupart des draps. Pour la plupart des brassées, sélectionnez OPTIMUM (certains modèles) ou l'option recommandée identifiée avec un *.
PERMA PRESS	Pour les articles infroissables, à pressage permanent et délicats, ainsi que les tricot.
DÉLICATS	Pour les articles délicats, les tissus exigeant un entretien particulier et les tricot.
SÉCHAGE MINUTE	Pour régler la durée de séchage désirée.
HUMIDE	Pour obtenir des articles légèrement humides.
DÉFROISSEMENT	Pour éliminer les faux plis des articles qui sont secs ou légèrement humides.
AIR FRAIS	Pour rafraîchir des vêtements, tissus, draps et oreillers qui sont déjà secs. À utiliser avec AIR FRAIS SANS CHALEUR . Fournit 10 minutes de culbutage à faible température.

3 Départ

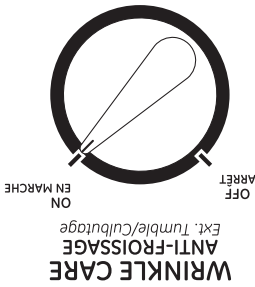
Fermez la porte de la sècheuse. Sélectionnez **DÉPART** pour lancer le cycle de séchage. Si vous ouvrez la porte pendant le fonctionnement de la sècheuse, celle-ci s'arrêtera. Pour le recommencer, fermez la porte et sélectionnez **DÉPART** de nouveau.

Logique des couleurs (sur certains modèles)

- 1 Sélectionnez le programme de **TEMPÉRATURE** désiré. Dans ce cas, le programme serait **PERMA PRESS MEDIUM** (qui est d'une certaine couleur).
- 2 Tournez le bouton de sélection jusqu'à atteindre la même couleur que le programme de **TEMPÉRATURE** que vous avez choisi. Dans ce cas, l'option serait **PERMA PRESS**.

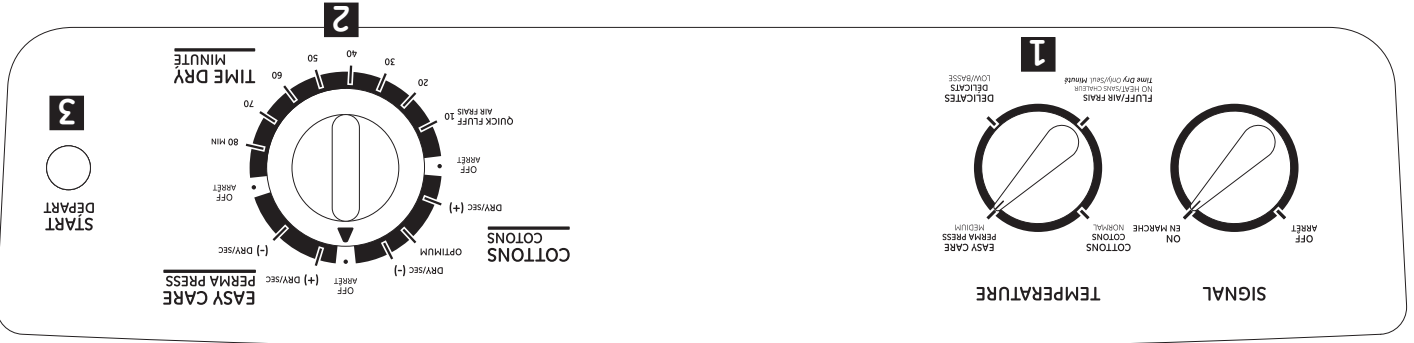
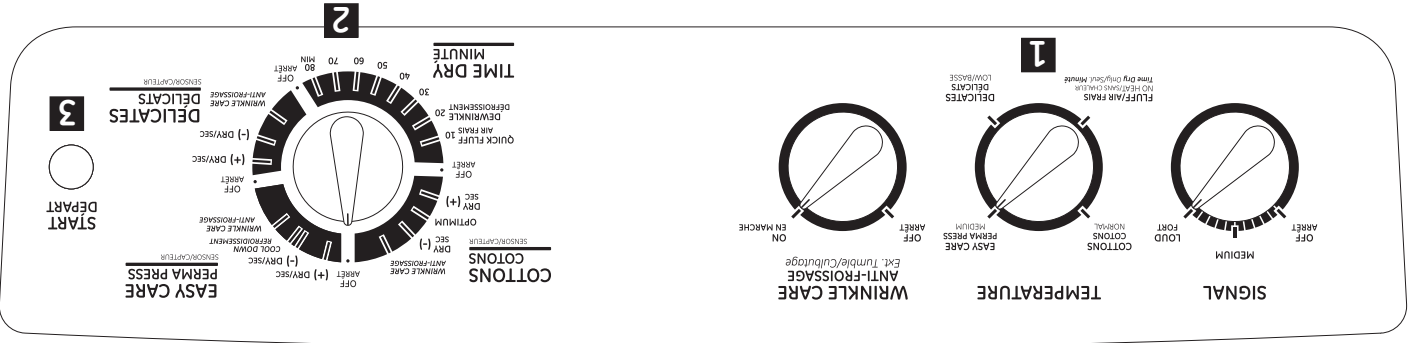
Anti-froissage (sur certains modèles)

Utilisez cette option pour minimiser les froissements. La sècheuse continue à culbuter sans chaleur pour approximativement 15 minutes après que les vêtements soient secs. Cette option peut être utilisée uniquement avec les programmes **COTONS** et **PERMA PRESS**.



Si vous utilisez le bouton **SIGNAL** et sélectionnez l'option **ANTI-FROISSAGE**, un signal sonore se fera entendre à la fin du temps de séchage et à plusieurs reprises pendant le cycle **ANTI-FROISSAGE**. Cela vous rappellera de retirer les vêtements. Si vous sélectionnez **ARRÊT**, la sècheuse arrêtera quand la minuterie atteindra l'indication **ANTI-FROISSAGE**.

REMARQUE: Les durées de séchage peuvent varier selon le type de chaleur utilisée (électrique, au gaz naturel ou propane), la grosseur de la brassée, les types de tissu, le degré d'humidité des vêtements et l'état du conduit d'évacuation.



Les caractéristiques et apparence de votre modèle peuvent différer de ce qui est présenté dans ce manuel.

Le tableau de commande de votre sècheuse

Le tableau de commande de votre sècheuse

www.electromenagerse.ca

Les caractéristiques et apparence de votre modèle peuvent différer de ce qui est présenté dans ce manuel.

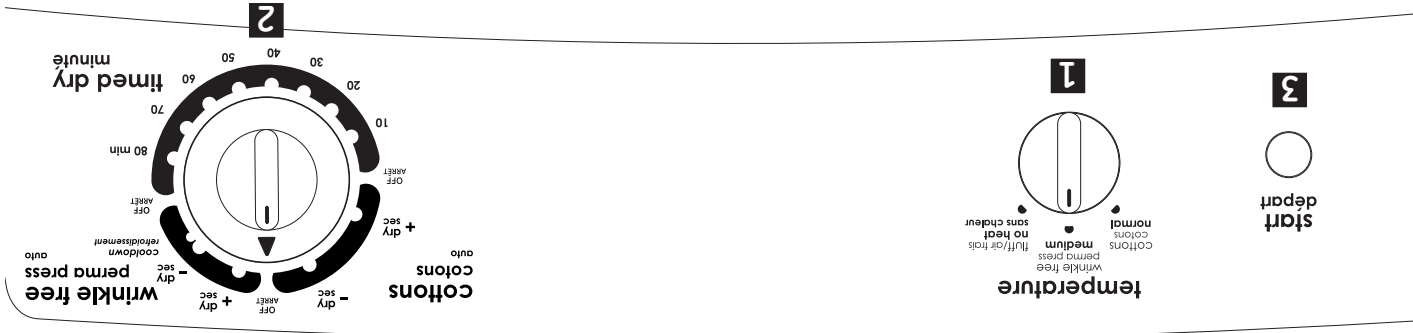
Mesures de sécurité



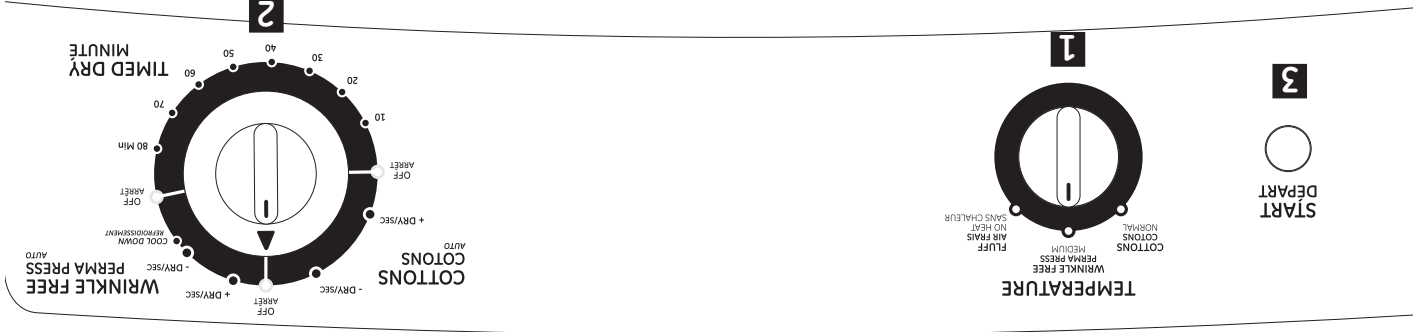
Directives d'installation



Directives de fonctionnement



Conseils de dépannage



Service à la clientèle

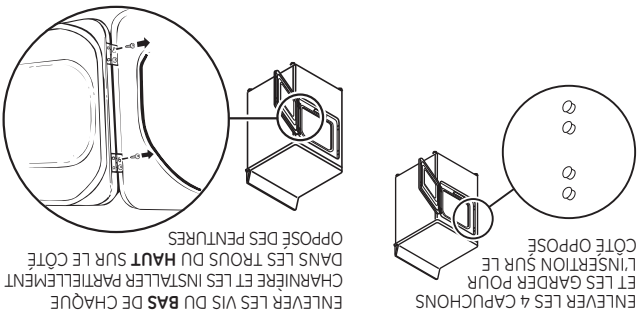
Directives d'inversion de la porte.

Outils nécessaires :

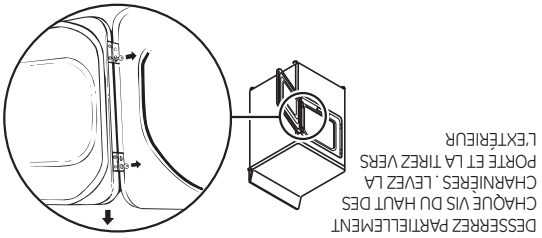
- Tournevis Phillips
- Couteau à mastic dont l'extrémité de la lame est recouverte de ruban gommé

Standard #2

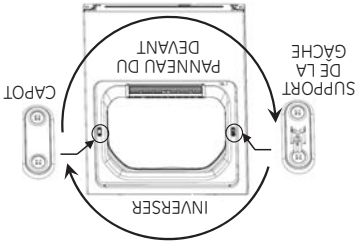
1 Ouvrir la porte et enlever les capuchons de vis en plastique situés sur le côté opposé des charnières. En gardant la porte complètement ouverte, enlevez les vis du bas de chaque charnière. Pour chaque charnière, insérez ces vis partiellement dans les trous du **HAUT**, sur le côté opposé (où vous avez retiré les capuchons de vis). Appuyez fermement lors de l'insertion des vis dans les nouveaux trous.



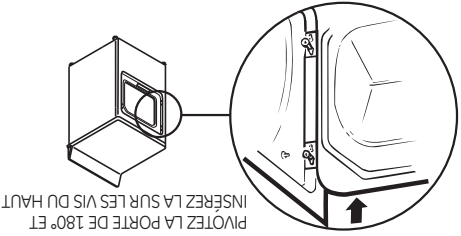
2 Desserrez partiellement les vis supérieures de chaque charnière. En soutenant le haut de la porte avec une main et le bas avec l'autre main, retirez la porte de la sècheuse **en la soulevant et en la tirant vers l'extérieur**.



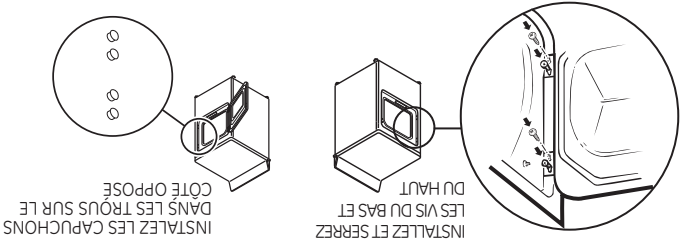
3 Enlevez le support de la gâche et son capot du côté opposé en enlevant les vis. Réinstallez-les du côté opposé.



4 Pivotez la porte de 180°. Insérez-la sur les vis du côté opposé et appuyez vers le bas jusqu'à ce que les charnières reposent sur les vis supérieures insérées à l'étape 1.



5 Enlevez les vis restantes du côté où la porte a été démonté. Insérez celles-ci dans les trous du bas des charnières. Serrez les vis supérieures. Réinsérez les capuchons de vis en plastique dans les trous où se trouvaient les vis initialement.



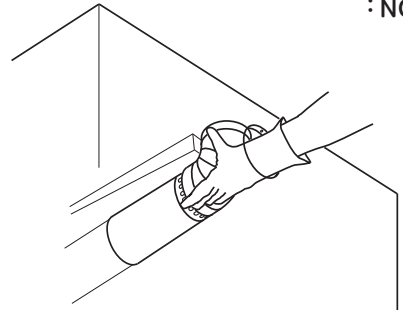
⚠️ AVERTISSEMENT - IDENTIFIEZ TOUS LES FILS AVANT DE LES DEBRANCHER POUR RÉPARER LES COMMANDES DE L'APPAREIL. UNE ERREUR DE BRANCHEMENT DES FILS PEUT PROVOKER UN FONCTIONNEMENT INADÉQUAT ET DANGEREUX APRÈS LA RÉPARATION OU L'INSTALLATION.

Pour connaître les numéros de téléphone pour obtenir des pièces de rechange ou autres renseignements, consultez la section du Service à la clientèle.

14 RÉPARATION

ÉVACUATION PAR LE DESSOUS DE LA SÈCHEUSE

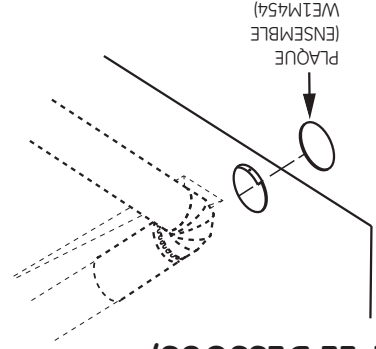
- Insérez le coude par l'ouverture à l'arrière de l'appareil, et raccordez-le au conduit interne de la sècheuse.
- Appliquez du ruban gommé pour conduit sur le joint entre le conduit interne de la sècheuse et le coude, comme illustré à la page 7.



ATTENTION :

Les joints du conduit interne doivent être scellés au moyen de ruban gommé pour conduit. Sinon, ils peuvent se séparer et présenter un risque pour la sécurité.

INSTALLATION D'UNE PLAQUE D'OBTURATION À L'ARRIÈRE DE L'APPAREIL (ÉVACUATION PAR LES CÔTÉS ET LE DESSOUS)



Raccordez les coudes et les conduits en métal pour terminer le système d'évacuation. Recouvrez l'ouverture à l'arrière à l'aide d'une plaque d'obturation (ensemble WE1M454) que vous pouvez vous procurer auprès de votre réparateur. Installez la sècheuse à son emplacement final.

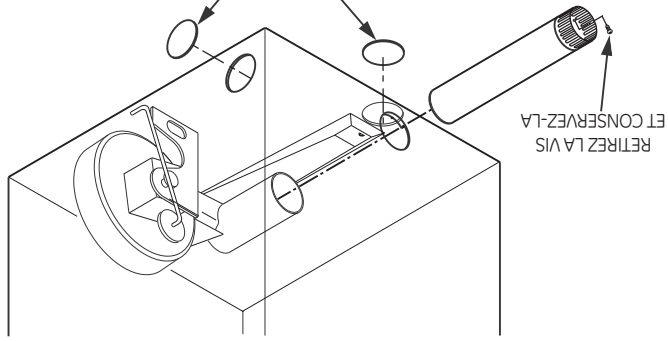
⚠️ AVERTISSEMENT - NE LAISSEZ JAMAIS L'OUVERTURE NON RECOUVERTE À L'ARRIÈRE DE L'APPAREIL. (ENSEMBLE WE1M454)

12 INSTALLATION DANS UN GARAGE RÉSIDENTIEL

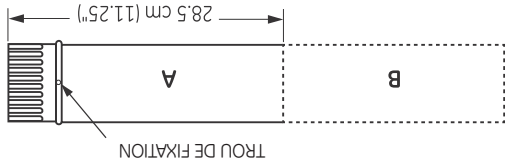
Une sècheuse installée dans un garage résidentiel doit être élevée à 46 cm (18 pouces) au-dessus du sol.

13 ÉVACUATION PAR LE CÔTÉ GAUCHE OU PAR LE DESSOUS DE LA SÈCHEUSE

⚠ AVERTISSEMENT - AVANT D'EFFECTUER L'INSTALLATION DE CE SYSTÈME D'ÉVACUATION, ASSUREZ-VOUS DE COUPER L'ALIMENTATION ÉLECTRIQUE DE LA SÈCHEUSE. PROTÉGEZ VOS MAINS ET VOS BRAS DES BORDS TRANCHANTS LORSQUE VOUS TRAVAILLEZ À L'INTÉRIEUR DE L'APPAREIL. PORTEZ DES GANTS.

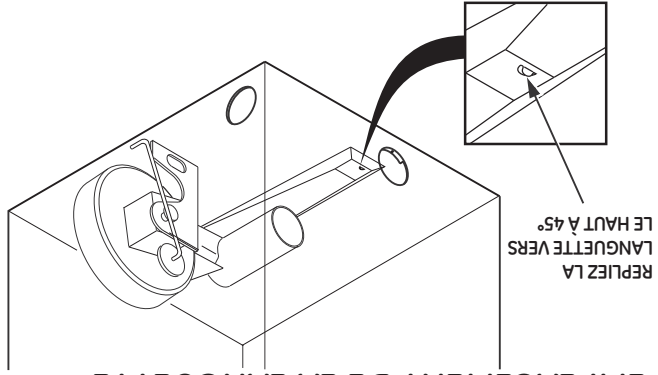


Défoncez et enlevez la débouchure intérieure ou gauche. Retirez la vis à l'intérieur du conduit d'évacuation de la sècheuse. Recouvrez les bords tranchants autour de l'entrée défonçable et de l'ouverture d'évacuation avec du ruban gommé.



Coupez le conduit de la façon illustrée, et conservez la section A.

EMPLACEMENT DE LA LANGUETTE

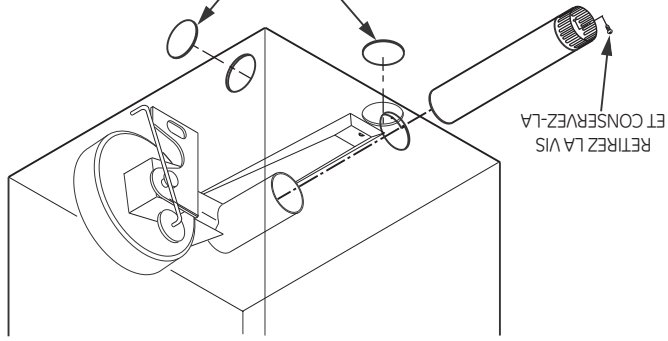


12 INSTALLATION DANS UN GARAGE RÉSIDENTIEL

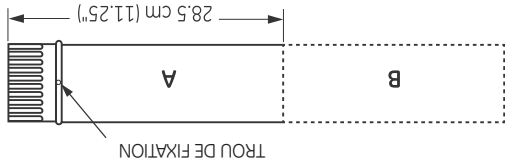
Une sècheuse installée dans un garage résidentiel doit être élevée à 46 cm (18 pouces) au-dessus du sol.

13 ÉVACUATION PAR LE CÔTÉ GAUCHE OU PAR LE DESSOUS DE LA SÈCHEUSE

⚠ AVERTISSEMENT - AVANT D'EFFECTUER L'INSTALLATION DE CE SYSTÈME D'ÉVACUATION, ASSUREZ-VOUS DE COUPER L'ALIMENTATION ÉLECTRIQUE DE LA SÈCHEUSE. PROTÉGEZ VOS MAINS ET VOS BRAS DES BORDS TRANCHANTS LORSQUE VOUS TRAVAILLEZ À L'INTÉRIEUR DE L'APPAREIL. PORTEZ DES GANTS.

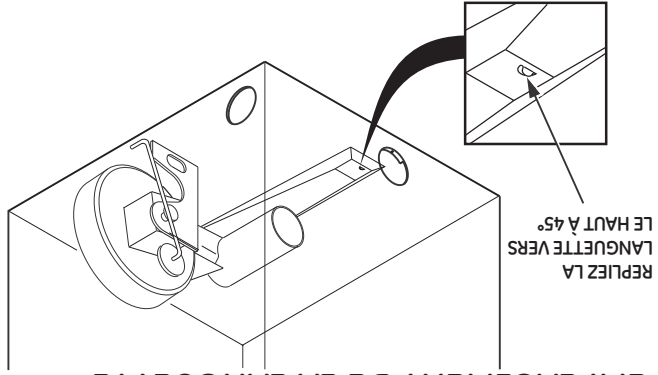


Défoncez et enlevez la débouchure intérieure ou gauche. Retirez la vis à l'intérieur du conduit d'évacuation de la sècheuse. Recouvrez les bords tranchants autour de l'entrée défonçable et de l'ouverture d'évacuation avec du ruban gommé.

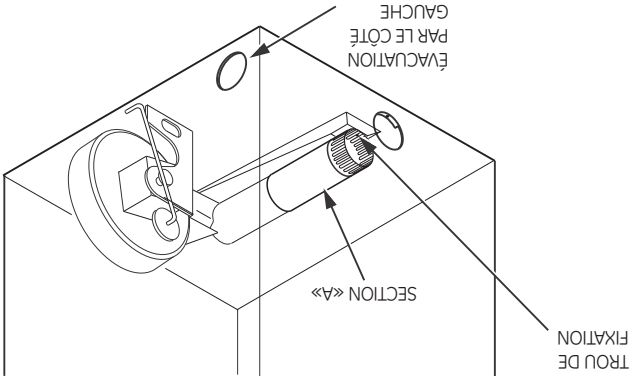


Coupez le conduit de la façon illustrée, et conservez la section A.

EMPLACEMENT DE LA LANGUETTE



AJOUT D'UNE SECTION DE CONDUIT

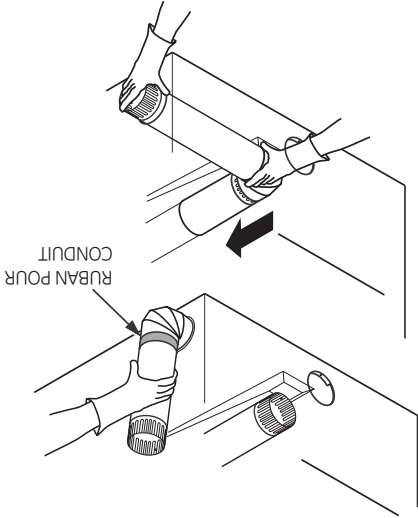


Raccordez la section coupée du conduit (A) au boîtier du ventilateur. Assurez-vous que la section du conduit est placée vis-à-vis de la languette dans la base de l'appareil. À l'aide de la vis que vous avez conservée, fixez le conduit en place en vissant la vis dans la languette de la base de la sècheuse.

AJOUT D'UN COUDE ET D'UNE SECTION DE CONDUIT POUR L'ÉVACUATION PAR LE CÔTÉ GAUCHE DE LA SÈCHEUSE

- Assemblez au préalable une section du conduit de 10 cm (4 po) à un coude de 10 cm (4 po). Scellez le joint à l'aide de ruban gommé pour conduit.
- Insérez le conduit assemblé, le coude en premier, dans l'ouverture latérale et raccordez le coude au conduit interne de la sècheuse.

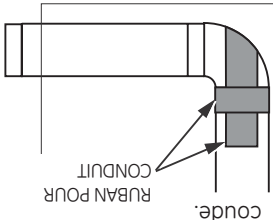
ATTENTION : faites attention à ne pas tirer ou endommager les fils électriques à l'intérieur de la sècheuse lorsque vous insérez le conduit.



- Appliquez du ruban gommé pour conduit, comme indiqué dans l'illustration, sur le joint entre le conduit interne et le

ATTENTION :

Les joints du conduit interne doivent être scellés à l'aide de ruban gommé. Sinon, ils peuvent se séparer et présenter un risque pour la sécurité.



ÉVACUATION
 UNE SÈCHEUSE PRODUIT DE LA CHARPIE COMBUSTIBLE.
 DANS TOUTS LES CAS, LA SÈCHEUSE DOIT ÊTRE
 RACCORDÉE À UN CONDUIT D'ÉVACUATION
 DONNANT SUR L'EXTÉRIEUR.
 REMARQUE : L'AIR D'UNE SÈCHEUSE INSTALLÉE DANS
 UNE MAISON MOBILE, UNE CHAMBRE À COUCHER, UNE
 SALLE DE BAIN, UNE ALCÔVE OU UN PLACARD DOIT
 ÊTRE ÉVACUÉ À L'EXTÉRIEUR.

9 INSTALLATION DANS UNE ALCÔVE OU UN PLACARD

- Si votre sècheuse est conçue pour être installée dans une alcôve ou un placard, cela sera indiqué sur une étiquette apposée sur le panneau arrière de la sècheuse.
- L'air de la sècheuse DOIT être évacué à l'extérieur. Reportez-vous aux points 3 et 4 de la section ÉVACUATION DE L'AIR.
- Les dégagements minimums entre la sècheuse et les murs adjacents ou autres surfaces sont les suivants :
 0 cm (0 po) de chaque côté ;
 7,6 cm (3 po) à l'avant et à l'arrière
- Le dégagement vertical minimum entre le plancher et les armoires, le plafond, etc., doit être de 109 cm (43 po) sans socle, et de 140 cm (55 po) avec socle.
- Les portes du placard doivent être pourvues de persiennes ou autre dispositif d'aération équivalant à une ouverture de 387 cm² (60 po²) répartie de façon égale. Si une sècheuse et une lavasse sont installées dans le placard, les portes doivent être pourvues d'un dispositif d'aération équivalant à une ouverture de 774 cm² (120 po²) répartie de façon égale.

LORSQUE LE CONDUIT D'ÉVACUATION EST INSTALLÉ À L'ARRIÈRE DE LA SÈCHEUSE, IL FAUT PRÉVOIR UN DÉGAGEMENT MINIMUM DE 14 CM (5,5 PO) ENTRE L'APPAREIL ET LE MUR.

10 INSTALLATION DANS UNE SALLE DE BAIN OU UNE CHAMBRE À COUCHER

- L'air de la sècheuse DOIT être évacué à l'extérieur. Reportez-vous aux points 3 et 4 de la section ÉVACUATION DE L'AIR.
- L'installation doit être conforme à tous les codes locaux en vigueur ou, en l'absence de codes locaux, au CODE NATIONAL DE L'ÉLECTRICITÉ, ANSI/NFPA n° 70.

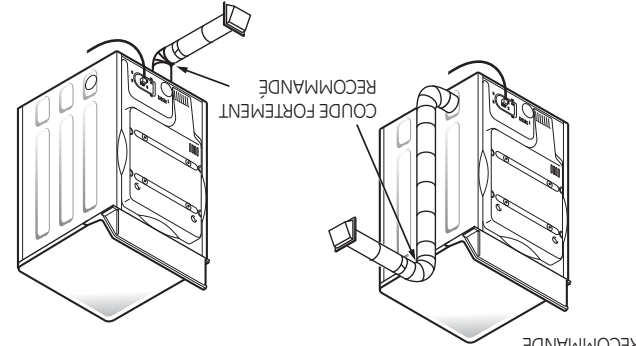
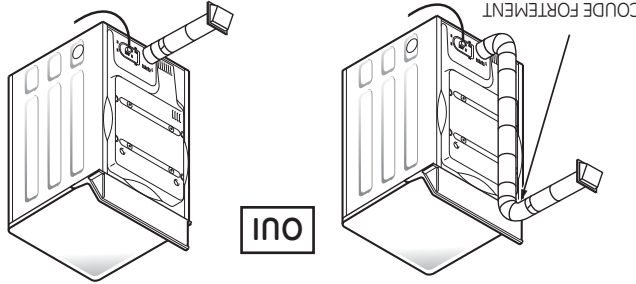
11 INSTALLATION DANS UNE MAISON MOBILE OU PRÉ-FABRIQUÉE

- L'installation doit être conforme aux codes d'installation dans les maisons mobiles CAN/CSA série Z240 MH.
- L'air de la sècheuse DOIT être évacué à l'extérieur au moyen d'un évent solidement fixé à la structure de la maison mobile (reportez-vous au point 6 de la section ÉVACUATION DE L'AIR).
- L'air de la sècheuse NE DOIT PAS être évacué sous une maison mobile ou pré-fabriquée.
- Le conduit de l'évent DOIT être fabriqué en MÉTAL.
- Il FAUT utiliser l'ENSEMBLE 14-D346-33 pour fixer solidement la sècheuse à la structure de la maison.
- Le conduit d'évacuation NE DOIT PAS être raccordé à un autre conduit, à un système de ventilation ou à une cheminée.
- N'utilisez pas de vis à métaux ou autres dispositifs similaires qui pénétreraient à l'intérieur du conduit d'évacuation.
- Prévoyez une ouverture et une zone libre d'au moins 161 cm² (25 po²) pour l'arrivée du conduit d'évacuation vers l'extérieur dans la pièce de la sècheuse.

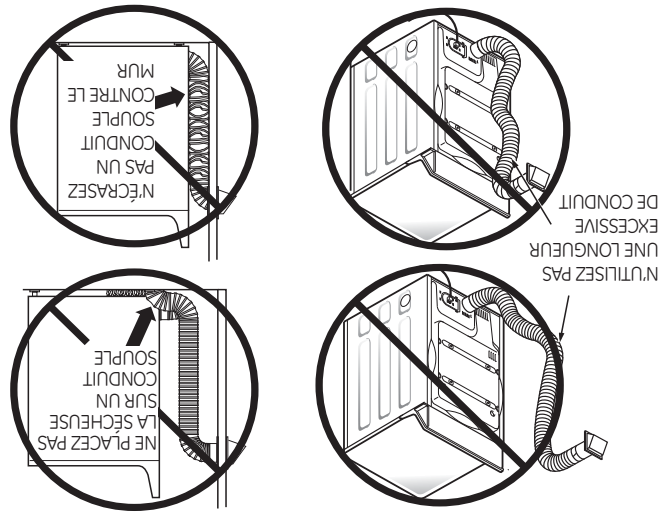
UTILISATION D'UN CONDUIT SOUPLE EN MÉTAL

Si vous ne pouvez pas utiliser un conduit rigide entièrement en métal, vous pouvez alors employer un conduit souple entièrement en métal, mais cela aura pour effet de diminuer la longueur maximale de conduit recommandée. Dans le cas d'installations spéciales, lorsqu'il est impossible d'utiliser un conduit entièrement en métal, vous pouvez employer un conduit entièrement en métal, un conduit de transition souple en métal homologué par UL pour les sècheuses entre la sècheuse et le raccord au mur seulement. L'utilisation de ce type de conduit allongera les durées de séchage.

- Utilisez la longueur la plus courte possible.
- Étirez le conduit à sa longueur maximale afin d'éviter la formation de plis.
- Évitez d'écraser le conduit.
- Sortez le support de protection du conduit d'évacuation, comme expliqué à l'étape 1.
- N'installez jamais un conduit de transition à l'intérieur du mur ou de la sècheuse.
- Évitez de placer le conduit sur des objets tranchants.
- Le système d'évacuation doit être conforme aux codes du bâtiment locaux.



NON



7 RACCORDEMENT DU CONDUIT D'ÉVACUATION

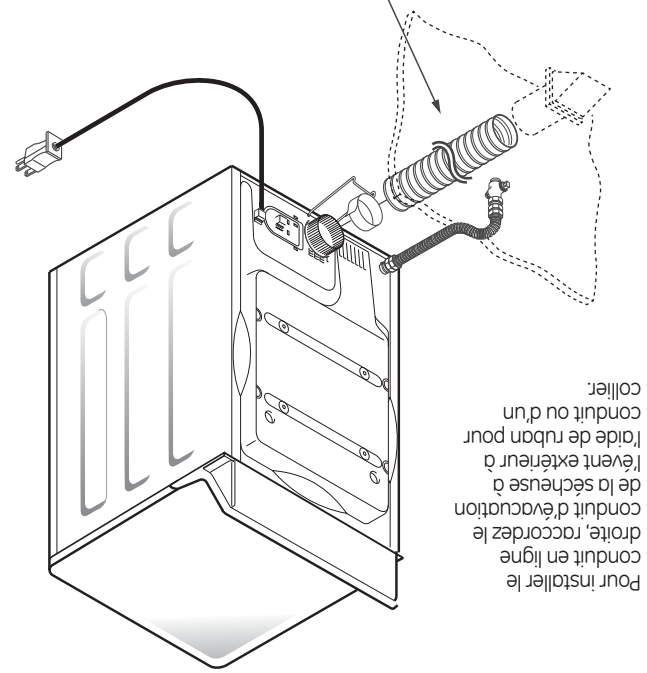
⚠️ AVERTISSEMENT - POUR RÉDUIRE LES RISQUES D'INCENDIE OU DE BLESSURES :

- L'air de cette sècheuse doit être évacué à l'extérieur.
- N'utilisez qu'un conduit en métal seulement.
- Ne faites pas évacuer l'air de la sècheuse dans une cheminée, dans un conduit d'évacuation des gaz brûlés, sous un plancher (vide sanitaire) ou dans un grenier.
- L'accumulation de charpie pourrait présenter un risque d'incendie.
- Prévoyez un accès pour l'inspection et le nettoyage du système d'évacuation, plus particulièrement au niveau des coudes. Inspectez et nettoyez le système au moins une fois par année.
- Ne faites jamais évacuer l'air de la sècheuse dans le conduit d'évacuation d'une hotte de cuisine. Le mélange de charpie et de graisse pourrait présenter un risque d'incendie.
- N'entrez pas la circulation de l'air qui entre dans la sècheuse ou qui en est évacuée.

NOUS VOUS RECOMMANDONS D'INSTALLER VOTRE SÈCHEUSE AVANT VOTRE LAVUSE AFIN DE FACILITER L'ACCÈS POUR LE RACCORDEMENT DU CONDUIT D'ÉVACUATION.

CETTE SÈCHEUSE A ÉTÉ PRÉPARÉE EN VUE D'UNE ÉVACUATION PAR L'ARRIÈRE. SI L'ESPACE EST LIMITÉ, SUIVEZ LES DIRECTIVES DE LA SECTION 12 POUR EFFECTUER L'ÉVACUATION PAR L'UN DES CÔTÉS OU LE DESSOUS DE L'APPAREIL.

ÉVACUATION STANDARD PAR L'ARRIÈRE

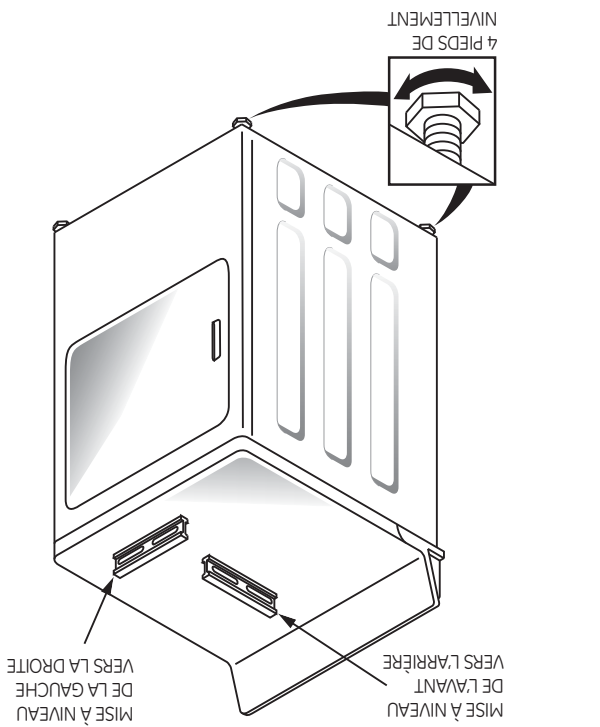


REMARQUE : NOUS VOUS RECOMMANDONS FORTEMENT D'UTILISER UN CONDUIT D'ÉVACUATION EN MÉTAL RIGIDE. CEPENDANT, SI VOUS UTILISEZ UN CONDUIT SOUPLE, COUPEZ-LE À LA LONGUEUR APPROPRIÉE ET ÉVITEZ D'ÉCRASER LE CONDUIT À L'ARRIÈRE DE LA SÈCHEUSE.

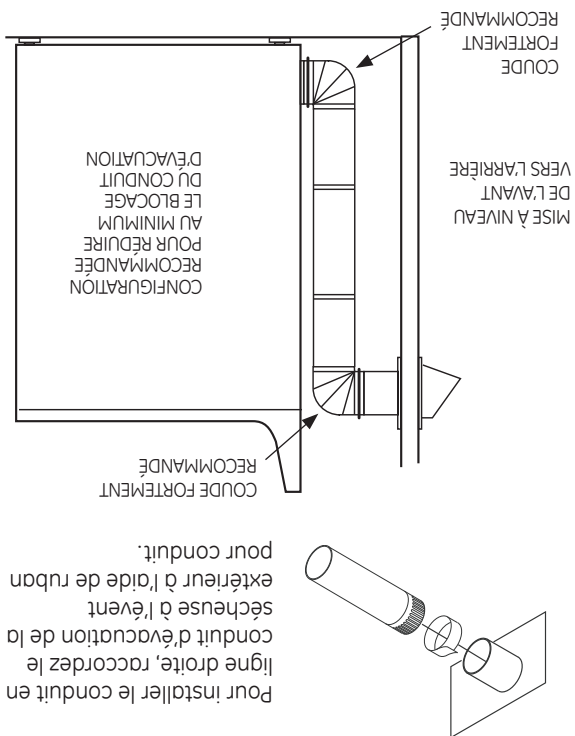
Pour installer le conduit en ligne droite, raccordez le conduit d'évacuation de la sècheuse à l'évent extérieur à l'aide de ruban pour conduit ou d'un collier.

8 MISE À NIVEAU ET STABILISATION DE VOTRE SÈCHEUSE

Placez la sècheuse à proximité de son emplacement final, et réglez les 4 pieds de nivellement dans les 4 coins pour vous assurer que la sècheuse est à niveau de la gauche vers la droite, et de l'avant vers l'arrière.



REMARQUE : LES COUDES EMPÊCHENT L'ÉCRASEMENT ET L'AFFAISSEMENT DU CONDUIT.

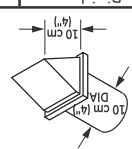
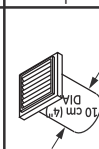
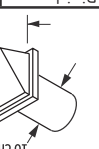
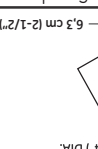


Pour installer le conduit en ligne droite, raccordez le conduit d'évacuation de la sècheuse à l'évent extérieur à l'aide de ruban pour conduit.

6 ÉVACUATION DE L'AIR

AVERTISSEMENT – N'UTILISEZ QU'UN CONDUIT EN MÉTAL DE 10 CM (4 PO) SEULEMENT. N'UTILISEZ PAS UN CONDUIT PLUS LONG QUE CELUI INDICUÉ DANS LE TABLEAU DE LA LONGUEUR DES CONDUITS D'ÉVACUATION. L'utilisation d'un conduit plus long que celui recommandé :
 • Augmentera la durée du séchage et les frais d'énergie.
 • Réduira la durée de vie utile de la sècheuse.
 • Favorisera l'accumulation de charpie, créant un risque d'incendie.
VOUS AVEZ LA RESPONSABILITÉ D'INSTALLER LE CONDUIT D'ÉVACUATION APPROPRIÉ. Les problèmes attribuables à une installation incorrecte ne sont pas couverts par la garantie.
 La longueur MAXIMALE PERMISE du conduit d'évacuation dépend du type de conduit, du nombre de coudes, du type d'événement mural employé et de toutes les conditions indiquées ci-dessous. Le tableau qui suit indique les longueurs recommandées pour les conduits en métal souple et rigide.

LONGUEUR DES CONDUITS D'ÉVACUATION

LONGUEUR MAXIMALE RECOMMANDÉE		Types d'événement	
Utilisation pour les conduits courts seulement			
Recommandé		Utilisation pour les conduits courts seulement	
	10 cm (4") DIA. 10 cm (4")		10 cm (4") DIA. 10 cm (4")
	10 cm (4") DIA. 10 cm (4")		10 cm (4") DIA. 10 cm (4")

LISTE DE CONTRÔLE DU SYSTÈME D'ÉVACUATION		Si vous utilisez un conduit souple en métal, reportez-vous à la page 18.	
0	27,4 m (90 pi)	16,8 m (55 pi)	13,7 m (45 pi)
1	18,3 m (60 pi)	12,2 m (40 pi)	9,1 m (30 pi)
2	13,7 m (45 pi)	9,1 m (30 pi)	6,1 m (20 pi)
3	10,7 m (35 pi)	7,6 m (25 pi)	4,6 m (15 pi)
4	7,6 m (25 pi)	4,6 m (15 pi)	3,0 m (10 pi)

ÉVÉNEMENT MURAL
 • Installez un évènement de manière à empêcher les retours d'air dans l'appareil ou l'entrée d'oiseaux ou autres animaux.
 • L'évènement utilisé doit offrir une résistance minimale à l'air évacué et n'exiger qu'un minimum d'entretien pour empêcher l'obstruction.
 • N'installez jamais une grille à l'intérieur ou par-dessus le conduit d'évacuation, augmentant le risque de feu. La grille pourrait provoquer l'accumulation de charpie.
 • L'évènement mural doit être installé à au moins 30 cm (12 po) du sol ou de tout autre obstacle lorsque l'ouverture est orientée vers le bas.
 • Si vous utilisez un évènement de toiture ou à volet, il doit présenter des caractéristiques équivalentes à celles d'un évènement mural à volet de 10 cm (4 po) en ce qui concerne pour éviter les obstructions.
LONGUEUR DE CONDUIT ENTRE LES COUDES
 Pour un rendement optimum, prévoyez une longueur de conduit droit de 1,2 m (4 pi) entre chaque coude, y compris entre le dernier coude et l'évènement mural.

AUTRES TYPES DE COUDES
 • Ne tenez pas compte d'un coude de 45° moins.
 • 2 coudes de 45° équivalent à un coude de 90°.
 • Chaque coude de plus de 45° équivaut à un coude de 90°.
SCÉLÈMENT DES JOINTS
 • Tous les joints doivent être étanches pour éviter les fuites d'air. L'extrémité mâle de chaque section de conduit doit être orientée en sens contraire par rapport à la sècheuse.
 • N'assemblez pas les sections de conduit avec des vis qui dépassent à l'intérieur du conduit. Celles-ci risquent de créer des points d'accumulation de charpie.
 • Assurez l'étanchéité à l'air et à l'humidité des conduits en recouvrant les joints de ruban gommé pour conduit.
 • Les longueurs horizontales de conduit doivent avoir une pente descendante vers l'extérieur, à raison de 1,2 cm (1/2 po) par 30 cm (12 po).

ISOLATION
 • Les conduits qui traversent une zone non chauffée ou qui se trouvent à proximité d'un conduit de climatisation doivent être isolés afin de réduire la condensation et l'accumulation de charpie.

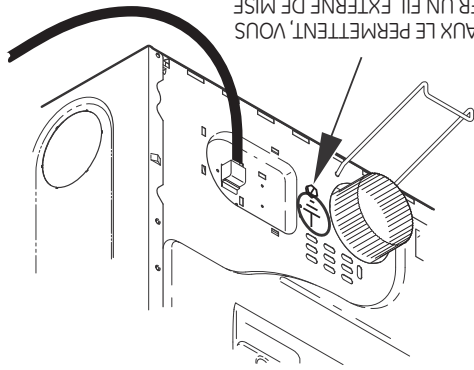
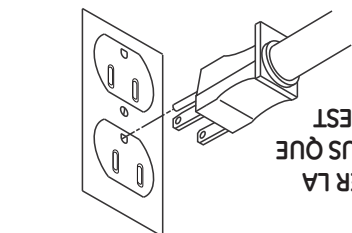
5 RACCORDEMENT ÉLECTRIQUE

AVERTISSEMENT – POUR RÉDUIRE LES RISQUES D'INCENDIE, DE CHOC ÉLECTRIQUES ET DE BLESSURES :
 N'UTILISEZ PAS DE RALLONGE ÉLECTRIQUE OU DE FICHE D'ADAPTION AVEC CET APPAREIL.
 La sècheuse doit être mise à la terre en conformité avec les codes locaux, en conformité avec la norme C22.1 de l'ACNOR, à la Partie 1 du Code canadien de l'électricité.

ALIMENTATION ÉLECTRIQUE
 Cette sècheuse doit être branchée à un circuit adéquatement mis à la terre de 120 V et 60 Hz, protégé par un disjoncteur ou un fusible à retardement de 15 ou 20 ampères. Si l'alimentation électrique ne répond pas à ces conditions, nous vous recommandons de faire installer une prise de courant approuvée par un électricien agréé.

AVERTISSEMENT – CETTE SÈCHEUSE POSSEDE UNE FICHE À TROIS BROCHES (MISE À LA TERRE) POUR PLUS DE PROTECTION CONTRE LES CHOC ÉLECTRIQUES. ELLE DOIT ÊTRE BRANCHÉE DIRECTEMENT DANS UNE PRISE DE COURANT À TROIS ALVÈLES, ADÉQUATEMENT MISE À LA TERRE. L'INSTALLATION DOIT ÊTRE CONFORME À LA NORME C22.1 DE L'ACNOR, À LA PARTIE 1 DU CODE CANADIEN DE L'ÉLECTRICITÉ OU AUX CODES LOCAUX EN VIGUEUR. NE COUPEZ PAS OU N'ENLEVEZ PAS LA BROCHE RONDE DE MISE À LA TERRE DE CETTE FICHE.

AVANT DE BRANCHER LA FICHE, ASSUREZ-VOUS QUE LA MISE À LA TERRE EST APPROPRIÉE.

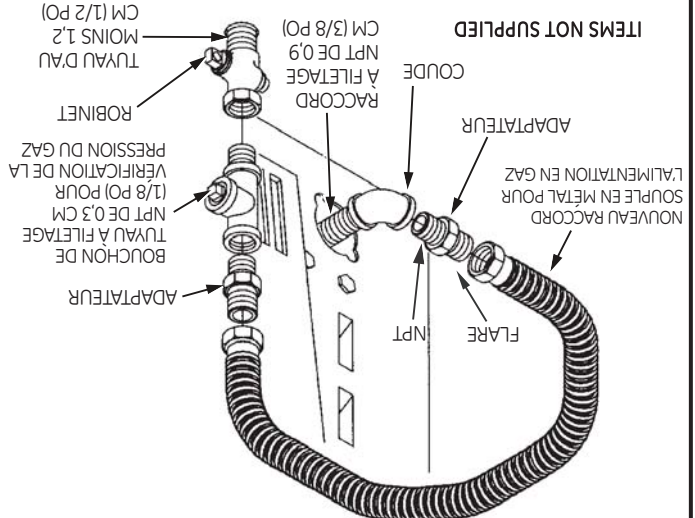


SI LES CODES LOCAUX LE PERMETTENT, VOUS POUVEZ BRANCHER UN FIL EXTÉRIENNE DE MISE À LA TERRE (NON FOURNI), RÉPONDANT AUX EXIGENCES DES CODES LOCAUX, ENTRE LA VIS VERTÉ DE MISE À LA TERRE À L'ARRIÈRE DE LA SÈCHEUSE ET UNE CONDUITE MÉTALLIQUE D'EAU FROIDE MISE À LA TERRE OU TOUT AUTRE SYSTÈME DE MISE À LA TERRE ÉTABLI.

Sècheuse à gaz

3 RÉTABLISSMENT DE L'ALIMENTATION EN GAZ

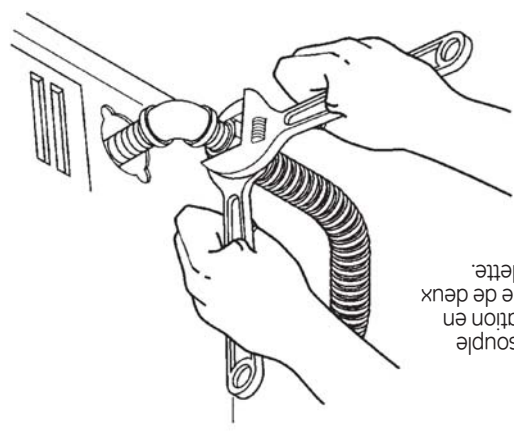
Raccord enregistré ANSI Z21.24 / CSA 6.10



Note: Utiliser des nouveaux connecteurs seulement. Ne pas réutiliser des connecteurs d'un autre appareil ou d'une ancienne installation. Attention : Ne pas utiliser les écrous du connecteur flexibles directement sur les filets du tuyau de la sècheuse et de la maison. Utiliser toujours des adaptateurs appropriés et approuvés soit évases - filet à tuyaux (flare-NPT). Tenir les parties coniques des adaptateurs propres et libres de toutes saletés, traces de graisse, d'huile ou de pâte d'étanchéité pour filets.

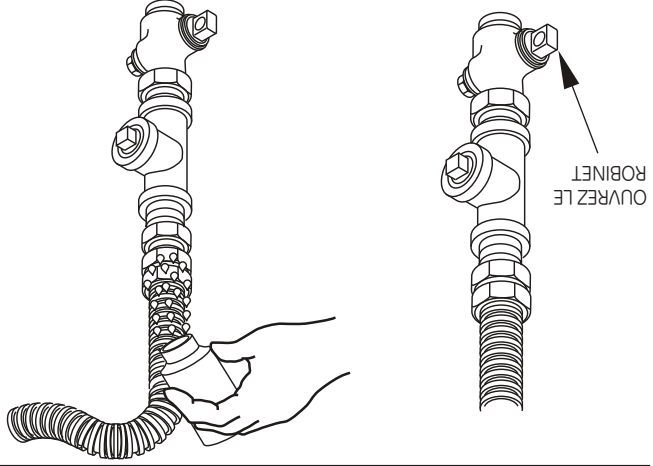
APPLIQUEZ DE LA PÂTE LUBRIFIANTE SUR L'ADAPTATEUR ET L'ENTRÉE DE LA CONDUITE D'ALIMENTATION EN GAZ DE LA SÈCHEUSE.

Serrez la conduite souple d'alimentation en gaz à l'aide de deux clés à molette.



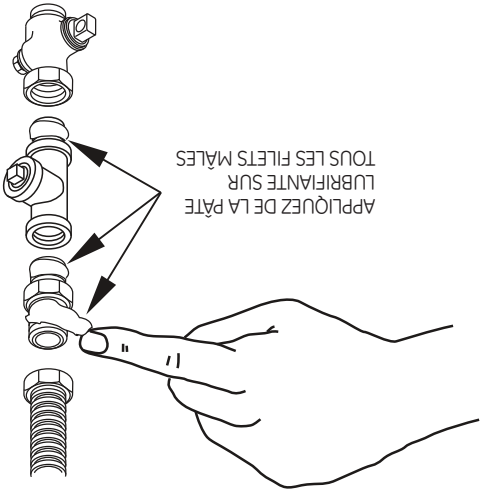
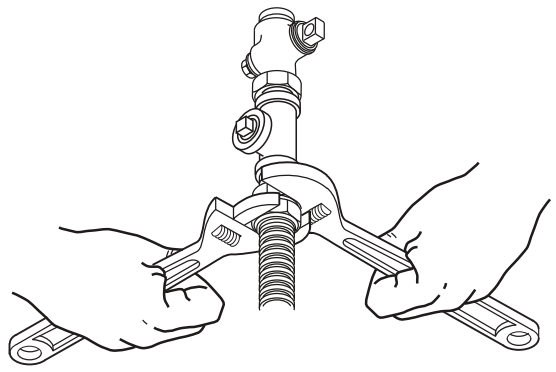
4 VÉRIFICATION DES FUITES

AVERTISSEMENT - N'UTILISEZ JAMAIS UNE FLAMME NUE POUR VÉRIFIER LES FUITES DE GAZ.



Vérifiez tous les raccords à l'aide d'une solution savonneuse ou l'équivalent pour voir s'ils présentent des fuites. Les solutions utilisées pour la vérification des fuites ne doivent pas contenir d'ammoniaque qui pourrait endommager les raccords ou les tuyaux en laiton. Si vous constatez une fuite, fermez le robinet, resserrez le raccord et effectuez à nouveau la vérification à l'aide de la solution savonneuse.

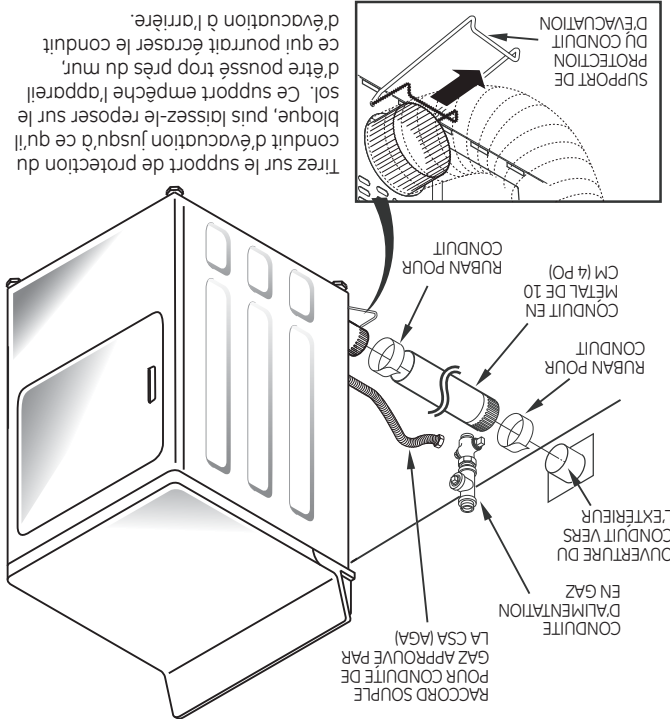
Serrez tous les raccords à l'aide de deux clés à molette. Ne serrez pas les raccords de façon excessive!



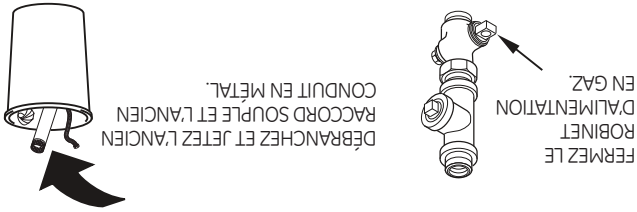
APPLIQUEZ DE LA PÂTE LUBRIFIANTE SUR TOUS LES FILETS MÂLES

Dégagements minimums pour les installations autres que dans un alcôve ou un placard. Les dégagements minimums par rapport aux surfaces combustibles et pour l'ouverture d'aération sont les suivants : 0 cm (0 po) des deux côtés et 2,5 cm (1 po) à l'arrière. Il faut prévoir un dégagement adéquat pour l'installation et la réparation.

1 PRÉPARATION POUR L'INSTALLATION DE LA NOUVELLE SÈCHEUSE

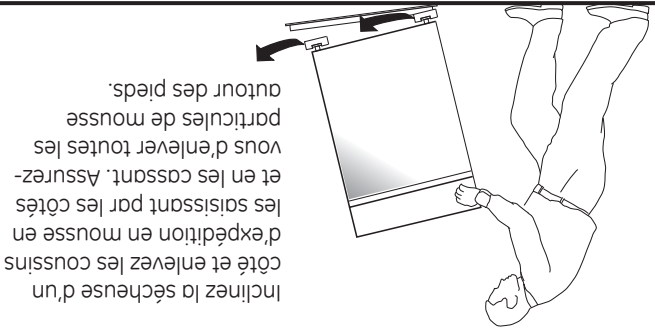
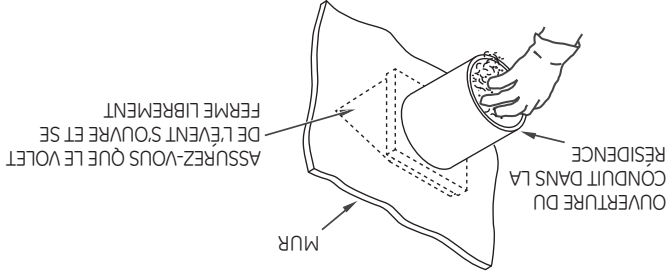


COUPURE DE L'ALIMENTATION EN GAZ



⚠ AVERTISSEMENT - NE RÉUTILISEZ JAMAIS D'ANCIENS RACCORDS SOUPLES. L'utilisation d'anciens raccords souples peut provoquer des fuites et causer des blessures. Utilisez toujours des raccords souples neufs lorsque vous installez des électroménagers à gaz.

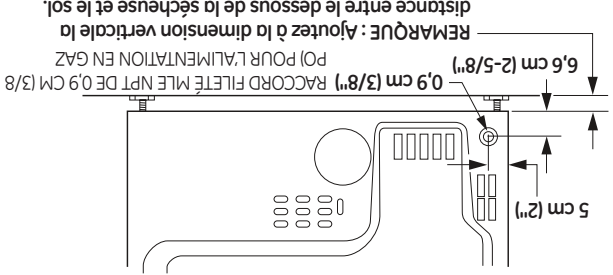
ENLÈVEMENT DE LA CHARPIE DANS L'OUVERTURE DU CONDUIT D'ÉVACUATION



2 ALIMENTATION EN GAZ AVERTISSEMENT

- L'installation doit être conforme aux codes locaux et avec le code CAN/CGA-B149, Code d'installation au Gaz Naturel.
- Cette sècheuse à gaz est pourvue d'une électrovanne et d'un brûleur pour utilisation avec le gaz naturel seulement. À l'aide de la trousse de conversion **WE25M43**, votre réparateur peut transformer cette sècheuse en vue d'une alimentation au gaz propane.
- **TOUTES LES CONVERSIONS DOIVENT ÊTRE EFFECTUÉES PAR UNE PERSONNE FORMÉE ET QUALIFIÉE, ET CONFORMÉMENT À TOUS, OU EN ABSENCE DE CODES LOCAUX, AU CODE CAN/CGA-B149, CODE D'INSTALLATION AU GAZ NATUREL LES CODES ET RÉGLEMENTS LOCAUX EN VIGUEUR.**
- La sècheuse doit être isolée du système d'alimentation en gaz pendant toute vérification de pression du système d'alimentation en gaz lorsqu'on utilise une pression supérieure à 0,5 lb/po (3,4 KPa).

RACCORDEMENT À L'ALIMENTATION EN GAZ DE LA SÈCHEUSE

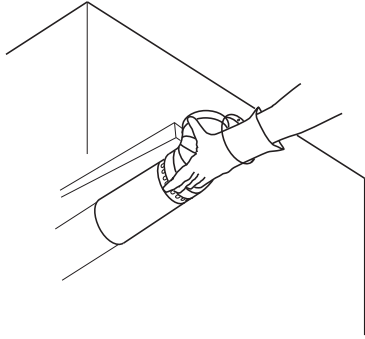


ALIMENTATION EN GAZ

- Un robinet à filetage conique standard américain NPT de 0,3 cm (1/8 po), accessible pour le raccordement d'un manomètre, doit être installé en amont du raccord de la conduite de gaz à la sècheuse. Si vous avez des questions concernant l'installation du robinet, communiquez avec votre fournisseur de gaz.
- La conduite d'alimentation en gaz doit être constituée d'un tuyau rigide de 1,2 cm (1/2 po) pourvu d'un robinet accessible à moins de 2 m (6 pi) de la sècheuse et se trouvant dans la même pièce que la sècheuse.
- Appliquez de la pâte lubrifiante ou du ruban en Téflon conçus pour le gaz naturel ou propane.
- **Vous devez utiliser avec cette sècheuse un connecteur certifié selon la norme ANSI Z21.24 / CSA 6.10.**
- Branchez le raccord souple en métal à la sècheuse et à la conduite d'alimentation en gaz.
- Ouvrez le robinet de la conduite.

ÉVACUATION PAR LE CÔTÉ GAUCHE OU DROIT DE LA SÈCHEUSE

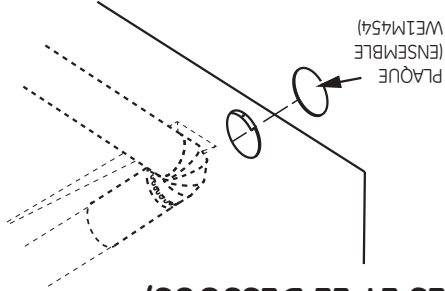
- Insérez le coude par l'ouverture à l'arrière de l'appareil, et raccordez-le au conduit interne de la sècheuse.
- Appliquez du ruban gommé pour conduit sur le joint entre le conduit interne de la sècheuse et le coude, comme illustré à la page 11.



ATTENTION :

Les joints du conduit interne doivent être scellés au moyen de ruban gommé pour conduit. Sinon, ils peuvent se séparer et présenter un risque pour la sécurité.

INSTALLATION D'UNE PLAQUE D'OBSTRUCTION À L'ARRIÈRE DE L'APPAREIL (ÉVACUATION PAR LES CÔTÉS ET LE DESSOUS)

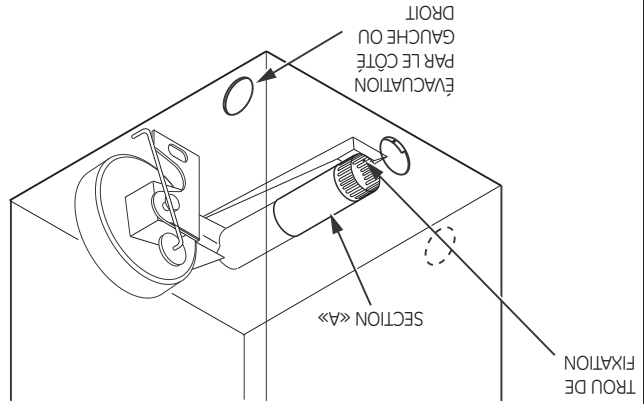


Raccordez les coudes et les conduits en métal pour terminer le système d'évacuation. Recouvrez l'ouverture à l'arrière à l'aide d'une plaque d'obturation (ensemble WE1M454) que vous pouvez vous procurer auprès de votre réparateur. Installez la sècheuse à son emplacement final.

⚠ AVERTISSEMENT - NE LAISSEZ JAMAIS L'OUVERTURE NON RECOUVERTE À L'ARRIÈRE DE L'APPAREIL. (ENSEMBLE WE1M454)

10 RÉPARATION
⚠ AVERTISSEMENT - IDENTIFIEZ TOUS LES FILS AVANT DE LES DÉBRANCHER POUR RÉPARER LES COMMANDES DE L'APPAREIL. UNE ERREUR DE BRANCHEMENT DES FILS PEUT PROVOQUER UN FONCTIONNEMENT INADÉQUAT ET DANGEREUX APRÈS LA RÉPARATION OU L'INSTALLATION.

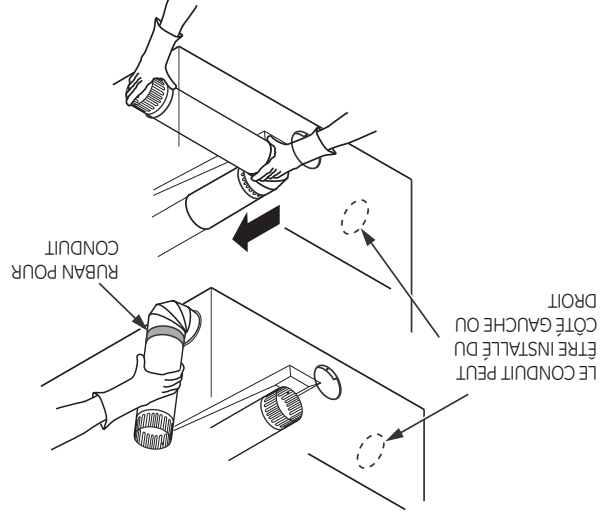
AJOUT D'UNE SECTION DE CONDUIT



Raccordez la section coupée du conduit (A) au boîtier du ventilateur. Assurez-vous que la section du conduit est placée vis-à-vis de la languette dans la base de l'appareil. À l'aide de la vis que vous avez conservée, fixez le conduit en place en vissant la vis dans la languette de la base de la sècheuse.

AJOUT D'UN COUDE ET D'UNE SECTION DE CONDUIT POUR L'ÉVACUATION PAR LE CÔTÉ GAUCHE OU DROIT DE LA SÈCHEUSE

- Assemblez au préalable une section de conduit de 10 cm (4 po) à un coude de 10 cm (4 po). Scellez le joint à l'aide de ruban gommé pour conduit.
 - Insérez le conduit assemblé, le coude en premier, dans l'ouverture latérale et raccordez le coude au conduit interne de la sècheuse.
- ATTENTION :** faites attention à ne pas tirer ou endommager les fils électriques à l'intérieur de la sècheuse lorsque vous insérez le conduit.



- Appliquez du ruban gommé pour conduit, comme indiqué dans l'illustration, sur le joint entre le conduit interne et le coude.

ATTENTION : Les joints du conduit interne doivent être scellés à l'aide de ruban gommé. Sinon, ils peuvent se séparer et présenter un risque pour la sécurité.

ÉVACUATION
 UNE SÈCHEUSE PRODUIT DE LA CHARPIE COMBUSTIBLE. DANS TOUTS LES CAS, LA SÈCHEUSE DOIT ÊTRE RACCORDÉE À UN CONDUIT D'ÉVACUATION DONNANT SUR L'EXTÉRIEUR.
 REMARQUE : L'AIR D'UNE SÈCHEUSE INSTALLÉE DANS UNE MAISON MOBILE, UNE CHAMBRE À COUCHER, UNE SALLE DE BAIN, UNE ALCÔVE OU UN PLACARD DOIT ÊTRE ÉVACUÉ À L'EXTÉRIEUR.

6 INSTALLATION DANS UNE ALCÔVE OU UN PLACARD

- Si votre sècheuse est conçue pour être installée dans une alcôve ou un placard, cela sera indiqué sur une étiquette apposée sur le panneau arrière de la sècheuse.
 - L'air de la sècheuse DOIT être évacué à l'extérieur. Reportez-vous aux points 3 et 4 de la section ÉVACUATION DE L'AIR.
 - Les dégagements minimums entre la sècheuse et les murs adjacents ou autres surfaces sont les suivants :
 0 cm (0 po) de chaque côté
 7,6 cm (3 po) à l'avant et à l'arrière
 - Le dégagement vertical minimum entre le plancher et les armoires, le placard, etc., doit être de 109 cm (43 po) sans socle, et de 140 cm (55 po) avec socle.
 - Les portes du placard doivent être pourvues de persiennes ou autre dispositif d'aération équivalant à une ouverture de 387 cm² (60 po²) répartie de façon égale. Si une sècheuse et une lavuse sont installées dans le placard, les portes doivent être pourvues d'un dispositif d'aération équivalant à une ouverture de 774 cm² (120 po²) répartie de façon égale.
- LORSQUE LE CONDUIT D'ÉVACUATION EST INSTALLÉ À L'ARRIÈRE DE LA SÈCHEUSE, IL FAUT PRÉVOIR UN DÉGAGEMENT MINIMUM DE 14 CM (5,5 PO) ENTRE L'APPAREIL ET LE MUR.**

7 INSTALLATION DANS UNE CHAMBRE À COUCHER BAIN OU UNE SALLE DE

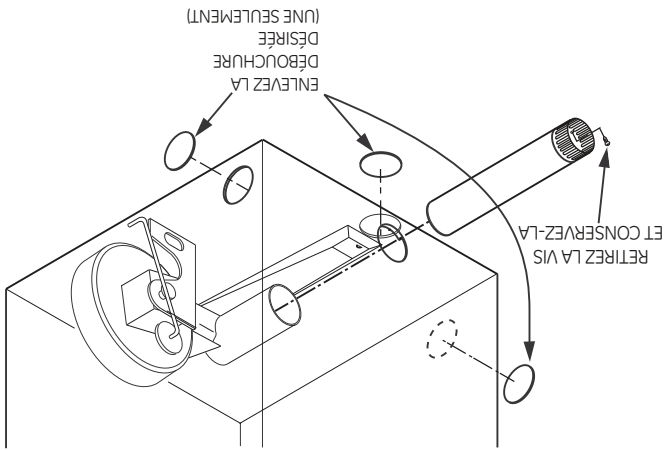
- L'air de la sècheuse DOIT être évacué à l'extérieur. Reportez-vous aux points 3 et 4 de la section ÉVACUATION DE L'AIR.
- L'installation doit être conforme à tous les codes locaux en vigueur ou, en l'absence de codes locaux, à la norme C22.1 de l'ACNOR et à la partie 1 du Code canadien de l'électricité.

8 INSTALLATION DANS UNE MAISON MOBILE OU PRÉ-FABRIQUÉE

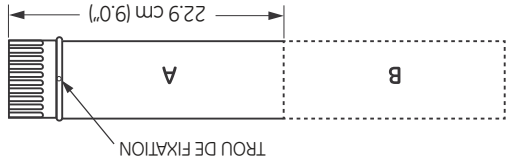
- L'installation doit être conforme aux Codes d'installation dans les maisons mobiles CAN/CSA série Z240 MH.
- L'air de la sècheuse DOIT être évacué à l'extérieur au moyen d'un évent solidement fixé à la structure de la maison mobile (reportez-vous aux points 3 et 4 de la section ÉVACUATION DE L'AIR).
- L'air de la sècheuse NE DOIT PAS être évacué sous une maison mobile ou pré-fabriquée.
- Le conduit de l'évent DOIT être fabriqué en MÉTAL.
- N'utilisez pas de vis à métaux ou autres dispositifs similaires qui pénètrent à l'intérieur du conduit d'évacuation.
- Reportez-vous à la section 2 pour effectuer le raccordement électrique.

9 ÉVACUATION PAR LE CÔTÉ GAUCHE OU DROIT OU PAR LE DESSOUS DE LA SÈCHEUSE

AVERTISSEMENT - AVANT D'EFFECTUER L'INSTALLATION DE CE SYSTÈME D'ÉVACUATION, ASSUREZ-VOUS DE COUPER L'ALIMENTATION ÉLECTRIQUE DE LA SÈCHEUSE. PROTÉGEZ VOS MAINS ET VOS BRAS DES BORDS TRANCHANTS LORSQUE VOUS TRAVAILLEZ À L'INTÉRIEUR DE L'APPAREIL. PORTEZ DES GANTS.

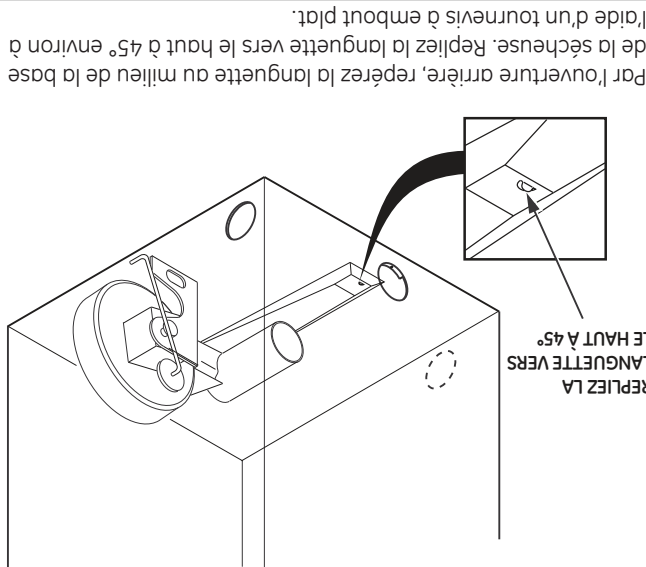


Défoncez et enlevez la débouchure inférieure, droite ou gauche. Retirez la vis à l'intérieur du conduit d'évacuation de la sècheuse et conservez-la. Tirez sur le conduit pour le sortir de la sècheuse.



Coupez le conduit de la façon illustrée, et conservez la section A.

EMPLACEMENT DE LA LANGUETTE



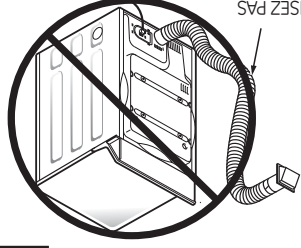
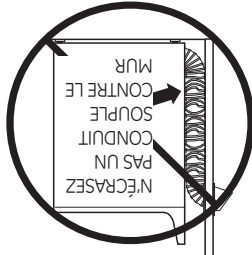
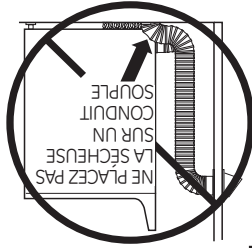
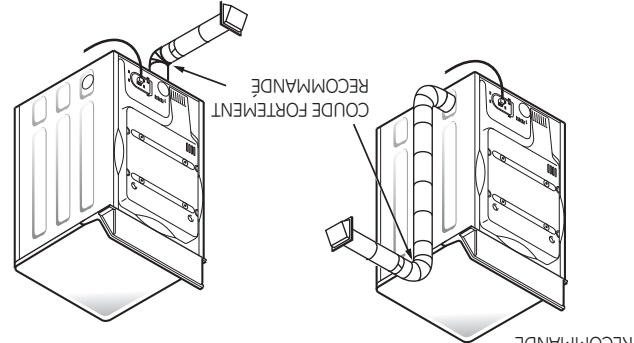
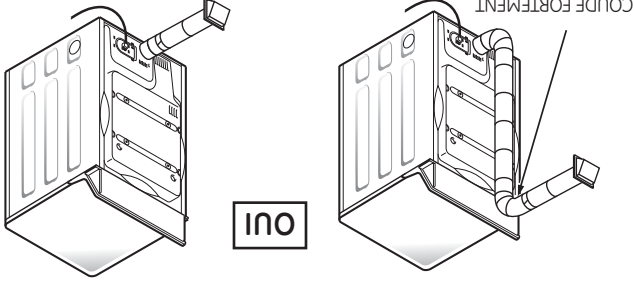
UTILISATION D'UN CONDUIT SOUPLE EN MÉTAL

Si vous ne pouvez pas utiliser un conduit rigide entièrement en métal, vous pouvez alors employer un conduit souple entièrement en métal, mais cela aura pour effet de diminuer la longueur maximale de conduit recommandée. Dans le cas d'installations spéciales, lorsqu'il est impossible d'utiliser un conduit entièrement en métal, vous pouvez employer un conduit de transition souple en métal homogène par UL pour les sécheuses entre la sécheuse et le raccord au mur seulement. L'utilisation de ce type de conduit allongera les durées de séchage.

Si vous devez utiliser un conduit de transition souple en métal, suivez les directives ci-dessous.

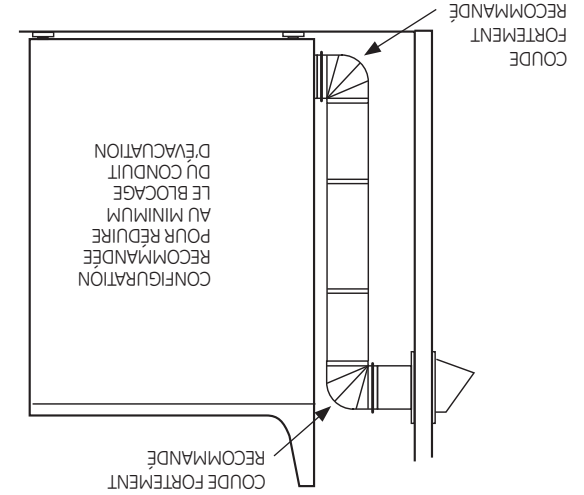
- Utilisez la longueur la plus courte possible.
- Étirez le conduit à sa longueur maximale afin d'éviter la formation de plis.
- Évitez d'écraser le conduit.
- Sortez le support de protection du conduit d'évacuation, comme expliqué à l'étape 1.
- N'installez jamais un conduit de transition à l'intérieur du mur ou de la sécheuse.
- Évitez de placer le conduit sur des objets tranchants.
- Le système d'évacuation doit être conforme aux codes du bâtiment locaux.

OUI



NON

ÉVACUATION STANDARD PAR L'ARRIÈRE (au-dessus du sol)

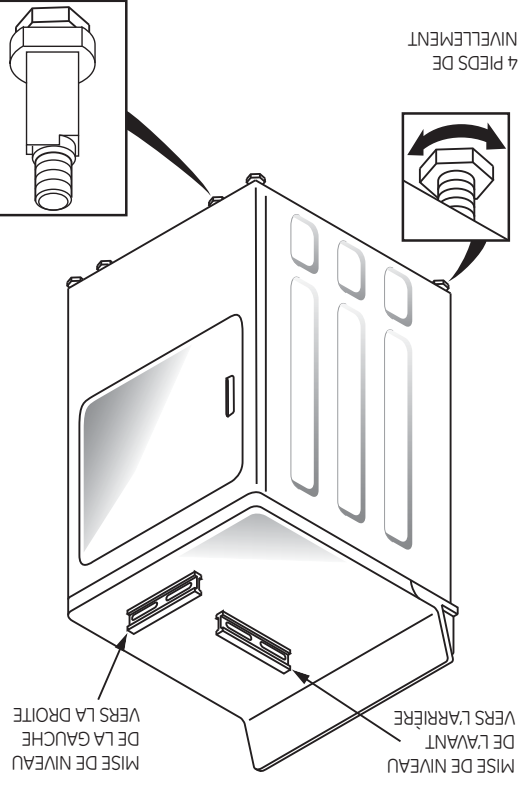


REMARQUE : LES COUDES EMPÊCHENT L'ÉCRASEMENT ET L'AFFAISSEMENT DU CONDUIT.

5 MISE À NIVEAU ET STABILISATION DE VOTRE SÈCHEUSE

Placez la sécheuse à proximité de son emplacement final, et réglez les 4 pieds de nivellement dans les 4 coins pour vous assurer que la sécheuse est de niveau de la gauche vers la droite, et de l'avant vers l'arrière.

MISE DE NIVEAU DE L'AVANT VERS L'ARRIÈRE
MISE DE NIVEAU DE LA GAUCHE VERS LA DROITE



3 ÉVACUATION DE L'AIR

AVERTISSEMENT – N'UTILISEZ QU'UN CONDUIT EN MÉTAL DE 10 CM (4 PO) SEULEMENT. N'UTILISEZ PAS UN CONDUIT PLUS LONG QUE CELUI INDICÉ DANS LE TABLEAU DE LA LONGUEUR DES CONDUITS D'ÉVACUATION.

L'utilisation d'un conduit plus long que celui recommandé :
 • Augmentera la durée du séchage et les frais d'énergie.
 • Réduira la durée de vie utile de la sècheuse.
 • Favorisera l'accumulation de charpie, créant un risque d'incendie.

VOUS AVEZ LA RESPONSABILITÉ D'INSTALLER LE CONDUIT D'ÉVACUATION APPROPRIÉ. Les problèmes attribuables à une installation incorrecte ne sont pas couverts par la garantie.

La longueur MAXIMALE PERMISE du conduit d'évacuation dépend du type de conduit, du nombre de coudes, du type d'événement mural employé et de toutes les conditions indiquées ci-dessous. Le tableau qui suit indique les longueurs recommandées pour les conduits en métal souple et rigide.

LONGUEUR DES CONDUITS D'ÉVACUATION

Types d'événement		LONGUEUR MAXIMALE RECOMMANDÉE	
		Utilisation pour les conduits courts seulement	
		Recommandé	
	Rigide en métal	10 cm (4")	10 cm (4")
	Souple en métal	10 cm (4")	10 cm (4")

Nombre de coudes de 90°	Rigide en métal		Souple en métal	
	0	1	2	3
4	27,4 m (90 pi)	16,8 m (55 pi)	18,3 m (60 pi)	13,7 m (45 pi)
3	18,3 m (60 pi)	12,2 m (40 pi)	13,7 m (45 pi)	9,1 m (30 pi)
2	13,7 m (45 pi)	9,1 m (30 pi)	10,7 m (35 pi)	6,1 m (20 pi)
1	10,7 m (35 pi)	6,1 m (20 pi)	7,6 m (25 pi)	4,6 m (15 pi)
0	7,6 m (25 pi)	4,6 m (15 pi)	4,6 m (15 pi)	3,0 m (10 pi)

Si vous utilisez un conduit souple en métal, reportez-vous à la page 10.

ÉVÉNEMENT MURAL

- Installer un événement de manière à empêcher les retours d'air dans l'appareil ou l'entrée d'oiseaux ou autres animaux.
- L'événement utilisé doit offrir une résistance minimale à l'air évacué et n'exiger qu'un minimum d'entretien pour empêcher l'obstruction.
- N'installez jamais une grille à l'intérieur ou par-dessus le conduit d'évacuation, augmentant le risque de feu. La grille pourrager l'accumulation de charpie.
- L'événement mural doit être installé à au moins 30 cm (12 po) du sol ou de tout autre obstacle lorsque l'ouverture est orientée vers le bas.
- Si vous utilisez un événement de toiture ou à volet de 10 cm (4 po) en ce qui concerne la résistance à la circulation d'air, la prévention des retours d'air et l'entretien exigé pour éviter les obstructions.

LONGUEUR DE CONDUIT ENTRE LES COUDES

Pour un rendement optimum, prévoyez une longueur de conduit droit de 1,2 m (4 pi) entre chaque coude, y compris entre le dernier coude et l'évent mural.

AUTRES TYPES DE COUDES

- Ne tenez pas compte d'un coude de 45° moins.
- 2 coudes de 45° équivalent à un coude de 90°.
- Chaque coude de plus de 45° équivaut à un coude de 90°.

SCÈLLEMENT DES JOINTS

- Tous les joints doivent être étanches pour éviter les fuites d'air. L'extrémité mûle de chaque section de conduit doit être orientée en sens contraire par rapport à la sècheuse.
- N'assemblez pas les sections de conduit avec des vis qui dépassent à l'intérieur du conduit. Celles-ci risquent de créer des points d'accumulation de charpie.
- Assurez l'étanchéité à l'air et à l'humidité des conduits en recouvrant les joints de ruban gommé pour conduit.
- Les longueurs horizontales de conduit doivent avoir une pente descendante vers l'extérieur, à raison de 1,2 cm (1/2 po) par 30 cm (12 po).

ISOLATION

- Les conduits qui traversent une zone non chauffée ou qui se trouvent à proximité d'un conduit de climatisation doivent être isolés afin de réduire la condensation et l'accumulation de charpie.

4 RACCORDEMENT DU CONDUIT D'ÉVACUATION

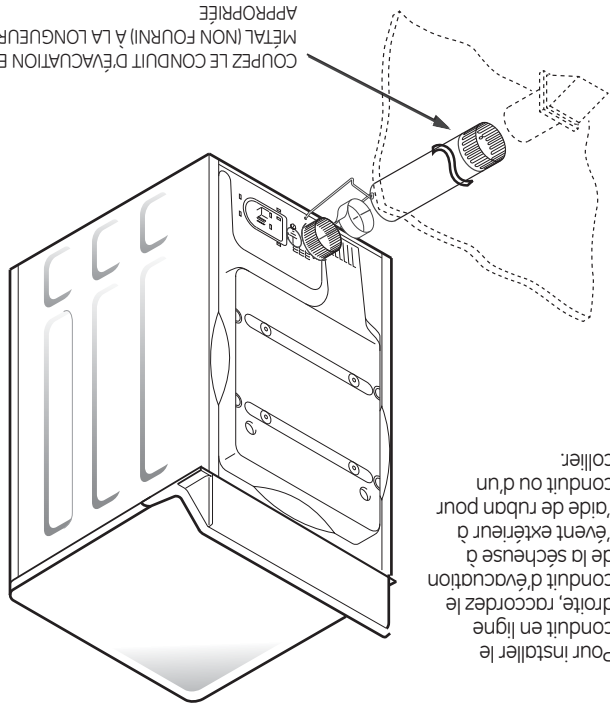
AVERTISSEMENT – POUR RÉDUIRE LES RISQUES D'INCENDIE OU DE BLESSURES :

- L'air de cette sècheuse doit être évacué à l'extérieur.
- N'utilisez qu'un conduit en métal seulement.
- Ne faites pas évacuer l'air de la sècheuse dans une cheminée, dans un conduit d'évacuation des gaz brûlés, sous un plancher (vid sanitaire) ou dans un grenier.
- L'accumulation de charpie pourrait présenter un risque d'incendie.
- Prévoyez un accès pour l'inspection et le nettoyage du système d'évacuation, plus particulièrement au niveau des coudes.
- Inspectez et nettoyez le système au moins une fois par année.
- Ne faites jamais évacuer l'air de la sècheuse dans le conduit d'évacuation d'une hotte de cuisine. Le mélange de charpie et de graisse pourrait présenter un risque d'incendie.
- N'entrez pas la circulation de l'air qui entre dans la sècheuse ou qui en est évacué.

CETTE SÈCHEUSE A ÉTÉ PRÉPARÉE EN VUE D'UNE ÉVACUATION PAR L'ARRIÈRE. SI L'ESPACE EST LIMITÉ, SUIVEZ LES DIRECTIVES DE LA SECTION 9 POUR EFFECTUER L'ÉVACUATION PAR L'UN DES CÔTÉS OU LE DESSOUS DE L'APPAREIL.

ÉVACUATION STANDARD PAR L'ARRIÈRE (au niveau du sol)

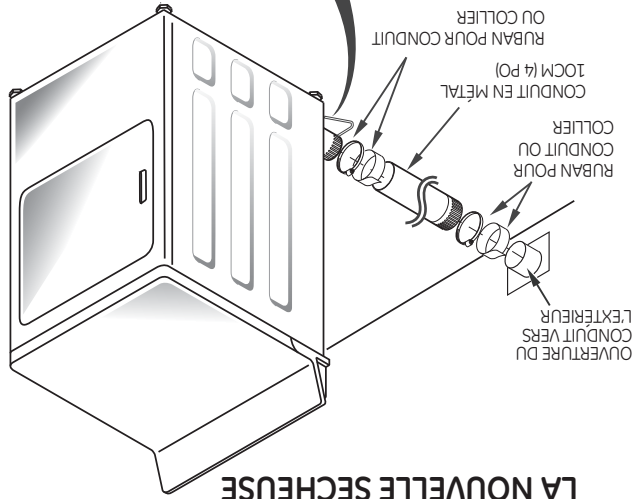
Pour installer le conduit en ligne droite, raccordez le conduit d'évacuation de la sècheuse à l'évent extérieur à l'aide de ruban pour conduit ou d'un collier.



REMARQUE : NOUS VOUS RECOMMANDONS FORTEMENT D'UTILISER UN CONDUIT D'ÉVACUATION EN MÉTAL RIGIDE. CEPENDANT, SI VOUS UTILISEZ UN CONDUIT SOUPLE, CELUI-CI DOIT ÊTRE EN MÉTAL, ET NON EN PLASTIQUE.

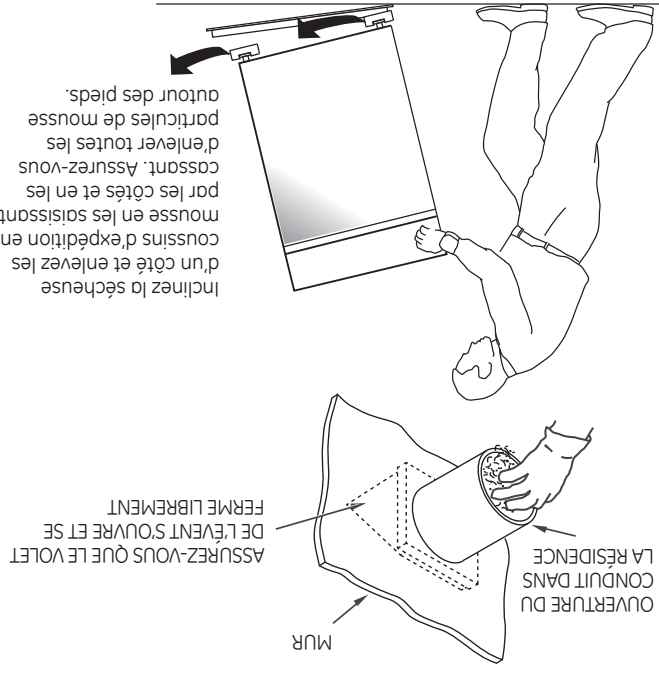
Dégagements minimums pour les installations autres que dans une alcôve ou un placard. Les dégagements minimums par rapport aux surfaces combustibles et pour l'ouverture d'aération sont les suivants : 0 cm (0 po) des deux côtés et 2,5 cm (1 po) à l'arrière. Il faut prévoir un dégagement adéquat pour l'installation et la réparation.

1 PRÉPARATION POUR L'INSTALLATION DE LA NOUVELLE SÈCHEUSE



CONSEIL : installez votre sècheuse avant d'installer votre lavuse. Cela facilitera l'accès pour l'installation du conduit d'évacuation de la sècheuse.

ENLÈVEMENT DE LA CHARPIE DANS L'OUVREURE DU CONDUIT D'ÉVACUATION & DES COUSSINS D'ÉVACUATION



2 RACCORDEMENT ÉLECTRIQUE

⚠ AVERTISSEMENT - POUR RÉDUIRE LES RISQUES D'INCENDIE, DE CHOCS ÉLECTRIQUES ET DE BLESSURES : N'UTILISEZ PAS DE RALLONGE ÉLECTRIQUE OU DE FICHE D'ADAPTATION AVEC CET APPAREIL.

La sècheuse doit être mise à la terre en conformité avec les codes et règlements locaux en vigueur. L'installation doit être conforme à la norme C22.1 de l'ACNOR, à la partie 1 du Code canadien de l'électricité. Une connection incorrecte de l'équipement de mise à la terre peut causer un choc électrique. Vérifiez avec un électricien autorisé, ou un représentant du service en cas de doute sur la mise à la terre de votre appareil.

Ne modifiez pas la prise fournie avec l'appareil. Si cette prise n'est pas compatible avec le récepteur, veuillez vous en faire installer un par un électricien autorisé.

ALIMENTATION ÉLECTRIQUE

Cette sècheuse doit être branchée à un circuit individuel protégé par des fusibles à retardement ou des disjoncteurs. Le circuit électrique doit :

1-Être de 120/240 volts ou 120/208 volts, de 60 Hz, doté d'une prise murale comme celle ci-dessous :



2-Être protégé par un disjoncteur ou des fusibles de 30A.

3-Être convenablement mis à la terre.

MISE À LA TERRE

Cet appareil doit être mis à la terre. Dans l'événement d'une malfonction ou bris, la mise à la terre réduirait le risque de choc électrique en fournissant une voie de faible résistance électrique pour le courant.

Cet appareil est muni d'un cordon électrique équipé d'un conducteur et prise servant à le mettre à la terre. La prise doit être connectée à un récepteur compatible, conforme aux exigences et normes locales.

AVANT DE COMMENCER

Veillez lire attentivement toutes les directives qui suivent.

- **IMPORTANT** - Conservez ces directives pour une utilisation éventuelle par l'inspecteur local.
- **IMPORTANT** - Respectez tous les codes et règlements en vigueur.

■ **Note à l'installateur** - Assurez-vous de laisser ces directives au consommateur.

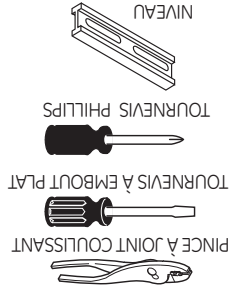
■ **Note au consommateur** - Gardez ces directives avec votre guide d'utilisation et d'entretien pour une consultation éventuelle.

■ Avant d'entreposer ou de jeter votre vieille sècheuse, retirez la porte de l'appareil.

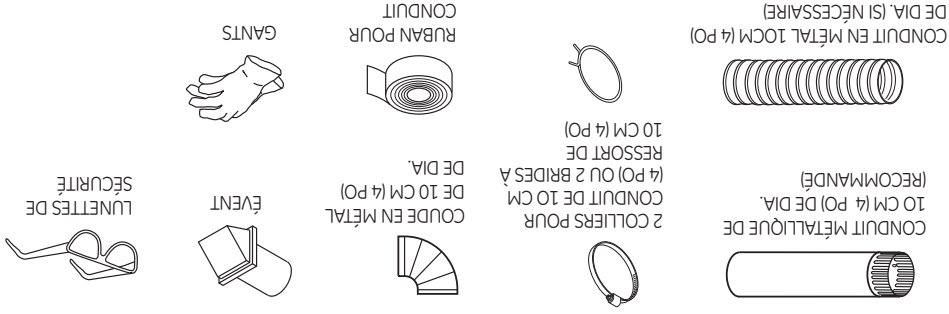
■ Le schéma de câblage et les renseignements concernant la réparation se trouvent à l'intérieur du tableau de commande.

■ Installez la sècheuse dans une pièce où la température est supérieure à 10 °C (50 °F) pour assurer le bon fonctionnement des commandes de l'appareil.

OUTILS NÉCESSAIRES



COMPOSANTES NÉCESSAIRES



Étape 1 Préparez l'emplacement et l'évacuation pour

Étape 2 Assurez-vous que le conduit d'évacuation externe en

Étape 3 Enlever les coussins d'expédition en mousse (voir la section 3).

Étape 4 Amener la sècheuse à l'endroit désiré.

Étape 5 Branchez le cordon d'alimentation (voir la section 2).

Étape 6 Raccordez le système d'évacuation vers l'extérieur (voir la section 4).

Étape 7 Mettez votre sècheuse de niveau (voir la section 5).

Étape 8 Vérifiez le bon fonctionnement de l'alimentation

Étape 9 Rangez le guide d'utilisation à un endroit où le propriétaire pourra facilement le trouver.

Pour une installation dans un placard ou un alcôve, voir la section 6.

Pour une installation dans une chambre à coucher ou une salle de bain, voir la section 7.

Pour l'évacuation par le côté ou le dessous, voir la section 9.

AVERTISSEMENT!

POUR VOTRE SÉCURITÉ :

- N'utilisez qu'un conduit métallique rigide ou souple de 10 cm (4 po) de diamètre pour l'évacuation vers l'extérieur. N'utilisez jamais un conduit en plastique ou fabriqué avec tout autre matériau combustible facile à perforer.
- Cet appareil doit être adéquatement mis à la terre et installé conformément aux présentes directives.
- N'installez pas ou n'entreposez pas l'appareil à un endroit où il sera exposé à l'eau et (ou) aux intempéries.
- L'air de cette sècheuse doit être évacué à l'extérieur.
- Inspectez la sortie d'évacuation de la sècheuse et redressez l'événement mural s'il est déformé.
- Ne laissez pas les enfants grimper sur l'appareil ou à l'intérieur de celui-ci. Il faut exercer une étroite surveillance lorsque vous faites fonctionner cet appareil en présence d'enfants.

REMARQUE : l'installation et la réparation de cette sècheuse exigent des connaissances de base en mécanique et en électricité.

LORSQUE VOUS UTILISEZ LA SÈCHEUSE (suite)



- Ne faites pas fonctionner l'appareil s'il est endommagé, défectueux ou partiellement démonté, si des pièces sont manquantes ou si le cordon d'alimentation ou la fiche sont endommagés.
- L'intérieur de l'appareil et le raccord du conduit d'évacuation à l'intérieur de la sècheuse doivent être nettoyés une fois par an par une personne qualifiée. Reportez-vous à la section "Chargement et utilisation de la sècheuse".
- Si votre sècheuse fonctionne au gaz, elle est pourvue d'un système d'allumage électrique automatique et ne possède pas de veilleuse. **UNE ALLUMETTE. Vous risquez de vous brûler si vous approchez votre main du brûleur et que le dispositif d'allumage automatique s'allume.**
- Il est possible que vous desirez assouplir votre lessive ou réduire le collement électrostatique en utilisant un assouplissant textile dans votre sècheuse ou un produit antistatique. Nous vous recommandons d'utiliser un assouplissant liquide au cours du programme de lavage, conformément aux directives du fabricant de ce type de produit, ou de faire l'essai d'un assouplissant textile pour la sècheuse, pour lequel le fabricant certifie sur l'emballage que son produit peut être utilisé en toute sécurité dans la sècheuse. La responsabilité des problèmes de rendement ou de fonctionnement qui ne sont pas couverts par la garantie de cet appareil et qui sont attribuables à l'utilisation de ces produits relève du fabricant de ces produits.

LORSQUE LA SÈCHEUSE N'EST PAS UTILISÉE



- Lorsque vous débranchez l'appareil, tirez sur la fiche et non sur le cordon afin d'éviter d'endommager le cordon d'alimentation. Installez le cordon de sorte que personne ne marche ou ne rebouche dessus, ou qu'il ne soit pas exposé à des dommages.
- Ne réparez ou ne remplacez aucune pièce de cet appareil, à moins que cela ne soit spécifiquement recommandé dans le présent manuel ou dans des directives de réparation que vous comprenez et pour lesquelles vous avez les compétences nécessaires.
- Avant de jeter ou d'entreposer une sècheuse, enlever toujours la porte afin d'empêcher les enfants de se cacher à l'intérieur.
- Ne touchez pas les commandes de l'appareil.

VEUILLEZ LIRE ET SUIVRE ATTENTIVEMENT CES MESURES DE SÉCURITÉ

CONSERVEZ CES DIRECTIVES



MESURES DE SÉCURITÉ IMPORTANTES LISEZ D'ABORD TOUTES LES DIRECTIVES

⚠️ AVERTISSEMENT!

AUTOUR DE VOTRE SÈCHEUSE



- Ne laissez pas s'accumuler de matériaux combustibles (charpie, papier, chiffons, etc.), de l'essence, des produits chimiques et autres liquides ou vapeurs inflammables autour et au-dessous de vos électroménagers.
- Gardez le sol propre et sec à proximité de vos électroménagers afin de ne pas glisser.
- Exercez une étroite surveillance lorsque vous faites fonctionner cet appareil en présence d'enfants. Ne les laissez pas jouer sur, avec ou dans cet appareil ou tout autre électroménager.

- Gardez tous les produits pour la lessive (comme les détergents, les javellissants, etc.) hors de la portée des enfants, de préférence dans une armoire fermée à clé. Suivez toutes les mises en garde sur les étiquettes pour éviter des blessures.
- Ne montez jamais sur le dessus de la sècheuse.



LORSQUE VOUS UTILISEZ LA SÈCHEUSE

- Ne vous penchez jamais dans la sècheuse pendant que le tambour tourne. Avant de charger ou de décharger la sècheuse, attendez que le tambour se soit complètement arrêté.
- Avant chaque utilisation, nettoyez le filtre à charpie afin de prévenir l'accumulation de charpie à l'intérieur de la sècheuse ou dans la pièce. **NE FAITES PAS FONCTIONNER LA SÈCHEUSE SANS LE FILTRE À CHARPIE.**

- Ne lavez pas ou ne faites pas sécher des articles qui ont été lavés avec des produits combustibles ou explosifs, qui ont été trempés dans ces produits ou qui en sont tachés (cire, peinture, huile, essence, dégraissants, solvants pour le nettoyage à sec, kérosène, etc.), car ils risquent de s'enflammer ou d'exploser. Ne versez pas ces substances dans la proximité de votre laveuse ou de votre sècheuse pendant qu'elles fonctionnent.
- Ne placez pas dans votre sècheuse des articles qui ont été en contact avec des huiles de cuisson, ceux-ci peuvent provoquer une réaction chimique susceptible de faire s'enflammer vos vêtements.
- Il ne faut pas mettre dans la sècheuse, ou à proximité de celle-ci, des articles ayant été utilisés avec un solvant dégraissant ou contenant une substance inflammable (comme des chiffons de nettoyage, des vadrouilles, des serviettes utilisées dans les salons de coiffure, etc.). On utilise à la maison de nombreux produits inflammables : nettoyants ménagers, détachants, térébenthine, acétone, alcool dénaturé, essence, kérosène, cire, décapants et produits contenant du distillat de pétrole.

- Pour réduire les risques de chocs électriques, débranchez toujours l'appareil ou coupez l'alimentation électrique de la sècheuse au panneau de distribution en enlevant le fusible ou en débranchant le disjoncteur avant la réparation ou le nettoyage (sauf pour enlever ou nettoyer le filtre à charpie). **REMARQUE :** Vous ne pouvez PAS l'alimentation électrique de la sècheuse lorsque vous appuyez sur **DÉPART, PAUSE** ou sur le bouton d'**ALIMENTATION**.

- La lessive peut atténuer les propriétés ignifugantes des tissus. Pour éviter cette situation, suivez à la lettre les directives données par le fabricant du vêtement.

INSTALLATION ADEQUATE



Avant d'utiliser votre sècheuse, assurez-vous qu'elle a été adéquatement installée, conformément aux directives d'installation, présentes dans ce guide.

- La sècheuse doit être correctement mise à la terre, conformément à tous les codes et règlements en vigueur. Suivez les directives d'installation.
- Installez ou entreposez l'appareil à l'abri du gel et des intempéries.

- Branchez l'appareil sur un circuit protégé et de capacité appropriée afin d'éviter toute surcharge électrique.

- Retirez la pellicule protectrice de couleur sur le tableau de commande et la porte.

- Retirez tout le matériel d'emballage tranchant et jetez tous les matériaux de transport de façon appropriée.

- Ne retirez pas le support de protection du conduit d'évacuation à l'arrière de la sècheuse.

- Tirez sur le support de protection et placez-le à sa position la plus basse, puis raccordez le conduit d'évacuation à la sècheuse. Le support de protection ainsi abaissé empêchera l'écrasement du conduit d'évacuation.

Conduit d'évacuation :

- 1 L'air de cette sècheuse **DOIT** être évacué à l'extérieur afin d'éviter l'accumulation dans la pièce d'une grande quantité d'humidité et de charpie.
- 2 N'utilisez qu'un conduit métallique rigide de 10 cm (4 po) de diamètre pour l'évacuation vers l'extérieur.

L'UTILISATION D'UN CONDUIT EN PLASTIQUE OU FABRIQUÉ AVEC TOUT AUTRE MATÉRIAU COMBUSTIBLE PEUT CAUSER UN INCENDIE. LORSQU'UN CONDUIT EST PERFORÉ OU DEVIENT OBSTRUÉ AU COURS DE L'UTILISATION OU DE L'INSTALLATION, IL PEUT PROVOQUER UN INCENDIE.

Pour des détails complets, suivez les directives d'installation.

MESURES DE SÉCURITÉ IMPORTANTES LISEZ D'ABORD TOUTES LES DIRECTIVES

⚠ AVERTISSEMENT!

Pour votre sécurité, suivez les directives fournies dans le présent manuel afin de réduire au minimum les risques d'incendie, d'explosion et de chocs électriques, et de prévenir les dommages matériels ainsi que les blessures graves ou mortelles.

- N'entreposez pas ou n'utilisez pas d'essence autres liquides ou vapeurs inflammables à proximité de cet appareil ou de tout autre électroménager.
- L'installation et les réparations doivent être effectuées par un installateur ou un service de réparation qualifié ou par votre fournisseur de gaz.

SI VOUS REMARQUEZ UNE ODEUR DE GAZ :

- 1 N'allumez pas d'allumette ou de cigarette. Ne faites pas fonctionner d'appareil à gaz ou électrique.
- 2 N'actionnez aucun interrupteur ; n'utilisez aucun téléphone dans votre édifice.
- 3 Évacuez la pièce, l'édifice ou les environs.
- 4 Appelez immédiatement votre fournisseur de gaz en utilisant le téléphone d'un voisin. Suivez attentivement les directives qu'il vous donnera.
- 5 Si vous ne pouvez joindre votre fournisseur de gaz, appelez les pompiers (911).



Sécheuses

www.electromenagers.ca

Mesures de sécurité	2-5
Directives d'installation	6-21
Sècheuse électrique	6-11
Sècheuse à gaz	12-19
Inversion de la porte	20
Directives de fonctionnement	21-25
Tableau de commande	21-22
Options et programmes	23-24
Chargement et utilisation de la sècheuse.....	25
Conseils de dépannage	26-27
Service à la clientèle	29-30
Garantie	29
Service à la clientèle	30

Transcrivez les numéros de modèle et de série ci-dessous :

N° de modèle : _____

N° de série : _____

Vous les trouverez sur l'étiquette apposée à l'avant de la sècheuse, derrière la porte.

Note au consommateur :

Ce produit était en excellent état à sa sortie de l'usine. S'il a été endommagé pendant son transport ou son installation, veuillez signaler ces dommages immédiatement au magasin où vous l'avez acheté. Votre garantie couvre les défauts des matériaux et de la fabrication, mais pas les dommages causés lors de la livraison. Pour plus de renseignements sur les conditions de la garantie, consultez ce guide.

Guide d'utilisation et d'entretien
avec directives d'installation



234D2241P002

234D2241P002 49-90515