

# OWNER'S MANUAL

Stainless Steel Vent Hood

ENGLISH/FRANÇAIS/ESPAÑOL

ELEVATE EVERYTHING

**MONOGRAM**

*Contents*

<b>Consumer Information</b> . . . . .	2	<b>Troubleshooting Tips</b> . . . . .	9
<b>Safety Information</b> . . . . .	4	<b>Warranty</b> . . . . .	11
<b>Controls and Features</b>		<b>Consumer Support</b> . . . . .	12
Controls . . . . .	6		
<b>Care and Cleaning</b>			
For your safety . . . . .	7		
Charcoal filters . . . . .	7		
Metal grease filter . . . . .	7		
Hood surfaces . . . . .	7		
Light bulbs . . . . .	8		

*Before using your stainless steel hood*

Read this manual carefully. It is intended to help you operate and maintain your new stainless steel hood properly.

Keep it handy for answers to your questions.

If you don't understand something or need more help, there is a list of toll-free consumer service numbers included in the back section of this manual.

OR

Visit our Website at: **Monogram.com**

*Write down the model and serial numbers*

You'll find them on a label behind the filters. These numbers are also on the Consumer Product Ownership Registration Card packed separately with your hood.

**Before sending in this card, please write these numbers here:**

\_\_\_\_\_

Model Number

\_\_\_\_\_

Serial Number

Use these numbers in any correspondence or service calls concerning your hood.

*If you received a damaged hood*

Immediately contact the dealer (or builder) that sold you the hood.

---

*Save time & money*

Before you request service, check the Problem Solver in the back of this manual.

It lists causes of minor operating problems that you can correct yourself.

---

*If you need service*

To obtain service, see the Consumer Services page in the back of this manual.

We're proud of our service and want you to be pleased. If for some reason you are not happy with the service you receive, here are some steps to follow for further help.

FIRST, contact the people who serviced your appliance. Explain why you are not pleased. In most cases, this will solve the problem.

NEXT, if you are still not pleased, write all the details—including your phone number—to:

Manager, Customer Relations  
Monogram  
Appliance Park  
Louisville, KY 40225

# IMPORTANT SAFETY INFORMATION

## READ ALL INSTRUCTIONS BEFORE USING THE APPLIANCE

**▲WARNING** Read all safety instructions before using the product. Failure to follow these instructions may result in fire, electrical shock, serious injury or death.

### **▲WARNING** GENERAL SAFETY INSTRUCTIONS

**▲WARNING** TO REDUCE THE RISK OF FIRE, ELECTRIC SHOCK OR INJURY TO PERSONS, OBSERVE THE FOLLOWING:

- A. Use this unit only in the manner intended by the manufacturer. If you have questions, contact the manufacturer.
- B. Before servicing or cleaning unit, switch power off at service panel and lock the service disconnecting means to prevent power from being switched on accidentally. When the service disconnecting means cannot be locked, securely fasten a prominent warning device, such as a tag, to the service panel.
- C. Do not use this unit with any solid-state speed-control device.
- D. This unit must be grounded.

**▲CAUTION** FOR GENERAL VENTILATING USE ONLY. DO NOT USE TO EXHAUST HAZARDOUS OR EXPLOSIVE MATERIALS AND VAPORS.

**▲WARNING** TO REDUCE THE RISK OF INJURY TO PERSONS IN THE EVENT OF A RANGE TOP GREASE FIRE, OBSERVE THE FOLLOWING\*:

- A. SMOTHER FLAMES with a close-fitting lid, cookie sheet, or metal tray, then turn off the burner. BE CAREFUL TO PREVENT BURNS. If the flames do not go out immediately, EVACUATE AND CALL THE FIRE DEPARTMENT.
- B. NEVER PICK UP A FLAMING PAN—You may be burned.
- C. DO NOT USE WATER, including wet dishcloths or towels—a violent steam explosion will result.

D. Use an extinguisher ONLY if:

1. You know you have a Class ABC extinguisher, and you already know how to operate it.
2. The fire is small and contained in the area where it started.
3. The fire department is being called.
4. You can fight the fire with your back to an exit.

\*Based on “Kitchen Firesafety Tips” published by NFPA.

**▲WARNING** TO REDUCE THE RISK OF A RANGE TOP GREASE FIRE:

- A. Never leave surface units unattended at high or medium settings. Boilovers cause smoking and greasy spillovers that may ignite. Heat oils slowly on low or medium settings.
- B. Always turn hood ON when cooking at high heat or when flambéing food (i.e. Crepes Suzette, Cherries Jubilee, Peppercorn Beef Flambé).
- C. Clean ventilating fans frequently. Grease should not be allowed to accumulate on fan or filter.
- D. Use proper pan size. Always use cookware appropriate for the size of the surface element.

**▲WARNING** TO REDUCE THE RISK OF FIRE, ELECTRIC SHOCK OR INJURY TO PERSONS, OBSERVE THE FOLLOWING:

- A. Installation work and electrical wiring must be done by qualified person(s) in accordance with all applicable codes and standards, including fire-related construction.

## READ AND SAVE THESE INSTRUCTIONS

# IMPORTANT SAFETY INFORMATION

## READ ALL INSTRUCTIONS BEFORE USING THE APPLIANCE

---

**B.** Sufficient air is needed for proper combustion and exhausting of gases through the flue (chimney) of fuel burning equipment to prevent back drafting. Follow the heating equipment manufacturer's guideline and safety standards such as those published by the National Fire Protection Association (NFPA), and the American Society for Heating, Refrigeration and Air Conditioning Engineers (ASHRAE), and the local code authorities. When applicable, install any makeup (replacement) air system in accordance with local building code requirements. Visit **Monogram.com** for available makeup air solutions.

**C.** When cutting or drilling into wall or ceiling, do not damage electrical wiring and other hidden utilities.

**D.** Ducted fans must always be vented to the outdoors.

**▲ WARNING** TO REDUCE THE RISK OF FIRE,  
USE ONLY METAL DUCTWORK.

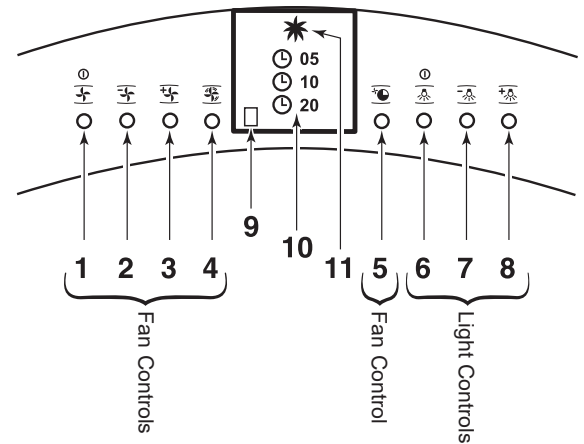
- Do not attempt to repair or replace any part of your hood unless it is specifically recommended in this manual. All other servicing should be referred to a qualified technician.

## READ AND SAVE THESE INSTRUCTIONS

### Controls

**NOTE:** Avoid using food products that produce flames under the range hood.

1. ON/OFF. It remembers the last fan speed used (except the highest fan speed—Boost).
2. Lowers the speed.
3. Increases the speed.
4. The highest speed, Boost, is “instant on” when the power is on.
5. Delayed fan shut-off. Choose 5, 10 or 20 minutes by pushing this button.
6. Light ON/OFF. It remembers the last light level used. (Six light levels.)
7. Dims the light.
8. Brightens the light.
9. Clean indicator light illuminates after 30 hours of “on” time to remind you to clean the **metal grease filters**. The light stays on until the filters are replaced. If the red light stays on and the filters are in, adjust the right-side filter in place. The timer resets automatically.
10. Indicates the time the fan is set to run, before automatically shutting off (5, 10 or 20 minutes).
11. Fan ON indicator light.



### For your safety

Before servicing or cleaning the unit, switch power off at the service panel and lock the service panel to prevent power from being switched on accidentally. If the service panel cannot be locked, fasten a tag or prominent warning label to the panel.

### Charcoal filters (on some models)

If the model is not vented to the outside, the air will be recirculated through disposable charcoal filters that help remove smoke and odors.

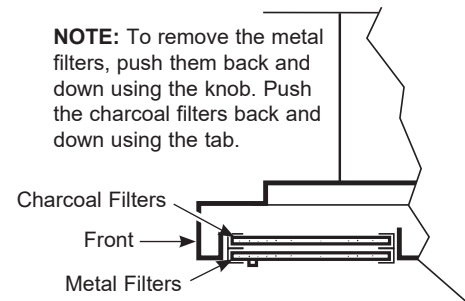
The charcoal filters should be replaced when they are noticeably dirty or discolored (usually after 6 to 12 months, depending on hood usage).

**NOTE:** DO NOT rinse, or put charcoal filters in an automatic dishwasher.

**The charcoal filters cannot be cleaned. They must be replaced.**

**Order Charcoal Filter Kit (3 filters) WB02X10731.**

This kit can be ordered from your Monogram Supplier.



**NOTE:** To remove the metal filters, push them back and down using the knob. Push the charcoal filters back and down using the tab.

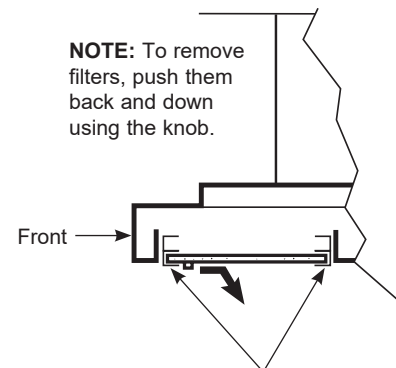
For proper operation, be sure to use the charcoal filters in the upper set of filter holders and metal filters in the lower set of filter holders.

### Metal grease filter

Clean the grease filter after 30 hours of "on" time. A signal light will alert you when 30 hours has passed.

Remove the grease filters and wash them either by hand or in the dishwasher using non-abrasive soap.

To clean, swish the filters in hot, soapy water or wash them in the dishwasher. Do not use abrasive cleansers.



**NOTE:** To remove filters, push them back and down using the knob.

For proper operation, be sure to use the lower set of filter holders.

### Hood surfaces

**Do not use a steel-wool pad; it will scratch the surface.**

To clean the stainless steel surface, use warm, sudsy water or a stainless steel cleaner or polish. Always wipe the surface in the direction of the grain.

Follow the cleaner instructions for cleaning the stainless steel surface. To inquire about purchasing stainless steel appliance cleaner or polish or to find the location of a dealer nearest you, please call our toll-free number:

**Monogram Preferred Service: 800.444.1845**  
**Monogram.com**

## Light bulbs

**NOTE:** The glass cover should be removed only when cool.

**CAUTION**

Before replacing the bulb, disconnect electrical power to the hood at the main fuse or circuit breaker. Allow bulbs to cool before touching.

Be sure to let the light cover and bulb cool completely.

For safety, do not touch a hot bulb with bare hands or a damp cloth.

**To change the light bulbs:**

1. Remove the lamp lens cover by inserting a small flat-blade screwdriver into each of the three slots and gently prying it free.

**NOTE:** Do not remove the outer trim ring (lamp assembly).

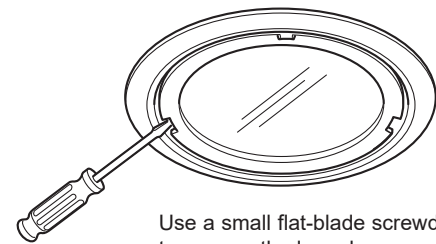
2. Grasp the bulb and pull it straight out.
3. Using gloves or a dry cloth, remove the new bulb from the packaging. (Wearing latex gloves may offer a better grip.) The bulb must be the same wattage, 120-volt, 25-watt halogen with a G-9 base. Early bulb failure may occur if wattage is too high.
4. Push the bulb straight all the way into the receptacle.
5. Replace the lens cover by inserting the three retaining tabs into the slots and pressing into place.

**NOTE:** For improved lighting, clean the glass cover frequently using a damp cloth. This should be done when the hood is completely cool.

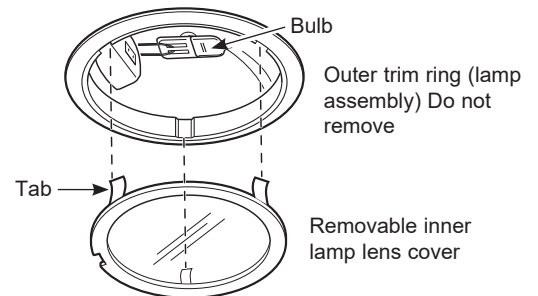
6. Reconnect electrical power to the hood.

**NOTE:** Order replacement 120-volt, 25-watt halogen bulb with G-9 base, WB25X10020.

These bulbs can be ordered from your Monogram supplier.

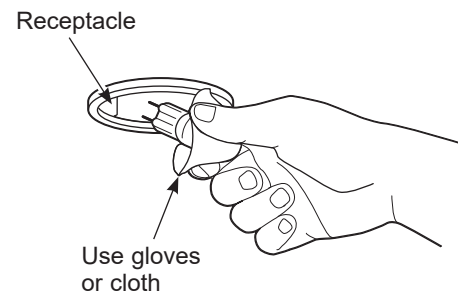


Use a small flat-blade screwdriver to remove the lamp lens cover.



**NOTE:** Make sure the tabs are inserted into the slots.

**ONLY use a new 120-volt, 25-watt halogen bulb with a G-9 base.**



**NOTE:** Do not touch the new halogen bulb with bare fingers. Skin oils can cause early lamp failure.



## Troubleshooting Tips

### Stainless Steel Hood

*Before you call for service*

Save time and money! Review the charts on the following pages first and you may not need to call for service.

<b>Problem</b>	<b>Possible Causes</b>	<b>What To Do</b>
<b>Fan does not operate when the On/Off button is pushed</b>	A fuse may be blown or a circuit breaker tripped.	Replace fuse or reset circuit breaker.
<b>Fan keeps going off and on</b>	The motor is probably overheating and turning itself off. This can be harmful to the motor.	Check to be sure the filter is clean. If off and on cycling continues, call for service. Visit <b>Monogram.com</b> for available makeup air solutions.
<b>Fan filter light is on</b>	After 30 hours of "on" or running time, the light reminds you to clean the metal grease filters.	The light will glow until the filters are replaced.
	The right-side filter is not making contact with the switch.	Adjust the filter in place.
<b>Fan does not operate when fan On/Off button is pressed or when + or – button is pressed</b>	The blower connector is loose or not plugged into its mating connector.	Disconnect power to the unit. Lift the lower duct cover and look at the blower connector plug. If the blower connector plug is loose, plug it in securely. See the Installation Instructions for the plug location and how to plug in the connector.
<b>Loud or abnormal airflow noise</b>	Wrong size duct used in installation.	This hood requires 6" ducting and a maximum duct length of 100 equivalent feet to perform optimally. Using smaller duct pipe or longer equivalent lengths of duct pipe will cause improper venting. Monogram service technicians cannot correct this issue if installed improperly.
<b>Fan fails to circulate air or moves air slower than normal and/or fan is making loud or abnormal airflow noise</b>	Obstructions in duct work.	Make sure nothing is blocking the vent. Make sure your wall or roof cap has a blade or door.
	Damper blade on wall or roof cap may not be open.	Make sure damper swings freely. Damper blades may flip over and will not fully open when this happens. Adjust to original position.
	Metal grease filter and charcoal filter (if present) may be dirty.	Clean the metal grease filter and replace charcoal filter (if present). See Care and Cleaning.
	Sufficient makeup (replacement) air is required for exhausting appliances to operate to rating.	Check with local building codes, which may require or strongly advise the use of makeup air.
<b>The hood controls are not operating correctly</b>	Control logic confused.	Disconnect power to the hood by resetting the circuit breaker. Wait 30 seconds to allow controls to reset.
<b>Early bulb failure</b>	Replacing bulbs with bare hands.	Replace bulbs while wearing gloves to keep skin oils off bulbs.
	Bulb wattage is too high.	Replace with correct wattage.

*Notes*

**YOUR MONOGRAM HOOD WARRANTY**

**Staple sales slip or cancelled check here. Proof of original purchase date is needed to obtain service under warranty.**

**WHAT IS COVERED**

*From the Date of the Original Purchase*

**LIMITED TWO-YEAR WARRANTY**

For two years from date of original purchase, we will provide, free of charge, parts and service labor in your home to repair or replace **any part of the vent hood** that fails because of a manufacturing defect.

This warranty is extended to the original purchaser and any succeeding owner for products purchased for ordinary home use in the 48 mainland states, Hawaii, Washington, D.C. or Canada. If the product is located in an area where service by a Monogram Authorized Servicer is not available, you may be responsible for a trip charge or you may be required to bring the product to an Authorized Monogram Service location for service. In Alaska the warranty is the same except that it is LIMITED because you must pay to ship the product to the service shop or for the service technician's travel costs to your home.

All warranty service will be provided by our Factory Service Centers or by our authorized Customer Care® servicers during normal working hours.

Should your appliance need service, during warranty period or beyond, in the USA call 800.444.1845. In Canada: 888.880.3030. Please have your serial number and model number available when calling for service.

**WHAT IS NOT COVERED**

- Service trips to your home to teach you how to use the product.
- Replacement of house fuses or resetting of circuit breakers.
- Incidental or consequential damage caused by possible defects with this appliance.
- Replacement of the replaceable filters.
- Damage to the product caused by accident, fire, floods or acts of God.
- Damage caused after delivery.
- Failure of the product if it is used for other than its intended purpose or used commercially.
- Improper installation. If you have an installation problem, contact your dealer or installer. You are responsible for providing adequate electrical, gas, exhausting and other connecting facilities as described in the Installation Instructions provided with the product.
- Product not accessible to provide required service.
- Installation or service for a makeup (replacement) air system.

**EXCLUSION OF IMPLIED WARRANTIES**

Your sole and exclusive remedy is product repair as provided in this Limited Warranty. Any implied warranties, including the implied warranties of merchantability or fitness for a particular purpose, are limited to one year or the shortest period allowed by law.

Some states do not allow the exclusion or limitation of incidental or consequential damages, so the above limitation or exclusion may not apply to you. This warranty gives you specific legal rights, and you may also have other rights which vary from state to state.

To know what your legal rights are in your state, consult your local or state consumer affairs office or your state's Attorney General.

**Warrantor: GE Appliances, a Haier company**

**Warrantor in Canada: MC COMMERCIAL INC, Burlington, ON, L7R 5B6**

---

***With the purchase of your new Monogram appliance, receive the assurance that if you ever need information or assistance from Monogram, we will be there. All you have to do is call!***

---

***Register Your Appliance***

Register your new appliance on-line at your convenience! Timely product registration will allow for enhanced communication and prompt service under the terms of your warranty, should the need arise. You may also mail in the pre-printed registration card included in the packing material.  
In the US: **Monogram.com**  
In Canada: **Prodsupport.mabe.ca/crm/Products/ProductRegistration.aspx**

---

***Schedule Service***

Expert Monogram repair service is only one step away from your door. Get on-line and schedule your service at your convenience any day of the year.  
In the US: **Monogram.com**  
or call 800.444.1845 during normal business hours.  
In Canada: **GEAppliances.ca/en/support/service-request** or call 888.880.3030

---

***Extended Warranties***

Purchase a Monogram extended warranty and learn about special discounts that are available while your warranty is still in effect.  
In the US: **Monogram.com**  
or call 800.444.1845 during normal business hours.  
In Canada: **GEAppliances.ca/en/support/purchase-extended-warranty** or call 888.880.3030

---

***Remote Connectivity***

For assistance with wireless network connectivity (for models with remote enable), visit our website at **Monogram.com** or call 800.444.1845 in the US only.

---

***Parts and Accessories***

Individuals qualified to service their own appliances can have parts or accessories sent directly to their homes (VISA, MasterCard and Discover cards are accepted). Order on-line today 24 hours every day.  
In the US: **Monogram.com** or by phone at 800.444.1845 during normal business hours.

**Instructions contained in this manual cover procedures to be performed by any user. Other servicing generally should be referred to qualified service personnel. Caution must be exercised, since improper servicing may cause unsafe operation.**

Customers in Canada should consult the yellow pages for the nearest MC Commercial service center, visit our website at **GEAppliances.ca/en/products/parts-filters-accessories** or call 888.880.3030.

# MANUEL DU PROPRIÉTAIRE

Hotte aspirante en acier  
inoxydable

ELEVATE EVERYTHING

**MONOGRAM**

*Table des matières*

<b>Information de consommateur</b> . . . . .	2	<b>Trucs de dépannage</b> . . . . .	9
<b>Consignes de sécurité importantes</b> . . . . .	4	<b>Garantie</b> . . . . .	11
<b>Commandes et fonctions</b>		<b>Soutien au consommateur</b> . . . . .	12
Commandes . . . . .	6		
<b>Nettoyage et entretien</b>			
Pour votre sécurité . . . . .	7		
Filtres à charbon . . . . .	7		
Filtre à graisse métallique . . . . .	7		
Surfaces de la hotte . . . . .	7		
Ampoules . . . . .	8		

*Avant d'utiliser votre hotte en acier Inoxydable*

Lisez attentivement ce manuel. Il a été conçu pour vous aider à utiliser et à entretenir correctement votre nouvelle hotte aspirante.  
Conservez-le à portée de main pour répondre à vos questions.

Si vous ne comprenez pas quelque chose ou que vous avez besoin d'aide, vous trouverez la liste des numéros d'appel gratuit du service après-vente au verso de la couverture de ce manuel.

**OU**

Visitez notre site web sur: **Monogram.com**.

*Notez les numéros de modèle et de série*

Vous les trouverez sur l'étiquette derrière les filtres. Ces numéros figurent également sur la carte d'enregistrement de propriété du produit emballé séparément avec votre hotte.

**Avant d'envoyer la carte, veuillez noter les numéros ici:**

\_\_\_\_\_  
Numéro de modèle

\_\_\_\_\_  
Numéro de série

Utilisez ces numéros dans toute correspondance ou pour tout appel au service après-vente, concernant votre hotte.

---

*Si vous recevez une hotte endommagée*

Contactez immédiatement le revendeur (ou le constructeur) qui vous a vendu la hotte.

---

*Économisez du temps et de l'argent*

Avant de demander l'assistance, reportez-vous au résolveur de problème figurant au dos de ce manuel.

Il répertorie les causes des dysfonctionnements mineurs que vous pouvez corriger par vos propres moyens.

---

*En cas de besoin d'assistance*

Pour utiliser le service, consultez la page du service au verso de la couverture de ce manuel.

Nous sommes fiers de notre service et nous voulons que vous en soyez satisfait. Si, pour une quelconque raison, vous êtes mécontent du service fourni, voici la procédure à suivre pour obtenir une aide supplémentaire.

PREMIÈREMENT, contactez la personne qui a réparé votre appareil. Expliquez-lui les raisons de votre mécontentement. Dans la plupart des cas, cela résoudra le problème.

ENSUITE, si vous êtes toujours mécontent, écrivez tous les détails—y compris votre numéro de téléphone—à :

Manager, Customer Relations  
Monogram  
Appliance Park  
Louisville, KY 40225

# CONSIGNES DE SÉCURITÉ IMPORTANTES

## VEUILLEZ LIRE TOUTES LES CONSIGNES AVANT D'UTILISER L'APPAREIL

### ⚠ AVERTISSEMENT

Veillez lire toutes les consignes avant d'utiliser ce produit. Le non-respect de ces instructions pourrait entraîner un incendie, un choc électrique, une blessure grave voire la mort.

### ⚠ AVERTISSEMENT

#### CONSIGNES GÉNÉRALES DE SÉCURITÉ

### ⚠ AVERTISSEMENT

**POUR RÉDUIRE LE RISQUE D'INCENDIE, DE SECOURSÉ ÉLECTRIQUE OU DE BLESSURE CORPORELLE, OBSERVEZ LES PRÉCAUTIONS SUIVANTES:**

- A. N'utilisez cet appareil que de la manière prévue par le fabricant. Si vous avez des questions, appelez le fabricant.
- B. Avant de réparer ou de nettoyer votre appareil, débranchez le courant au niveau du panneau de service et verrouillez les mécanismes de débranchement de service pour éviter tout branchement accidentel au courant. Si vous ne pouvez pas verrouiller les mécanismes de débranchement de service, attachez soigneusement un avertissement bien visible, comme une étiquette, au panneau de service.
- C. N'utilisez jamais cet appareil avec un mécanisme de réglage de la vitesse à semi-conducteurs.
- D. Cet appareil doit être bien mis à la terre.

### ⚠ ATTENTION

**UNIQUEMENT À USAGE DE VENTILATION GÉNÉRALE. N'UTILISEZ JAMAIS POUR L'ÉCHAPPEMENT DE MATIÈRES ET DE VAPEURS EXPLOSIVES.**

### ⚠ AVERTISSEMENT

**POUR RÉDUIRE LE RISQUE DE BLESSURE CORPORELLE SI DE LA GRAISSE PREND FEU SUR LA SURFACE DE CUISSON DU FOUR, SUIVEZ LES INSTRUCTIONS SUIVANTES\*:**

- A. ÉTOUFFEZ LES FLAMMES avec un couvercle qui convient, une tôle à biscuits ou un plateau en métal, puis éteignez le brûleur. FAITES BIEN ATTENTION DE NE PAS VOUS BRÛLER. Si les flammes ne s'éteignent pas immédiatement, SORTEZ ET APPELEZ LES POMPIERS.
- B. NE DÉPLACEZ JAMAIS UNE CASSEROLLE QUI FLAMBE—Vous pouvez vous brûler.
- C. N'UTILISEZ JAMAIS D'EAU, en particulier de serviette ou de chiffon mouillé—il se produira une explosion violente de vapeur brûlante.

D. N'UTILISEZ UN EXTINCTEUR que si :

1. Vous avez un extincteur de classe ABC et vous savez comment l'utiliser;
2. Le feu est réduit et confiné à l'endroit où il a commencé;
3. Vous avez déjà appelé les pompiers;
4. Vous combattez les flammes en tournant le dos à une sortie.

\* Basé sur l'ouvrage intitulé «Kitchen Fire Safety Tips» publié par la NFPA.

### ⚠ AVERTISSEMENT

**RÉDUISEZ LE RISQUE D'UN FEU DE GRAISSE SUR LA SURFACE DE CUISSON DU FOUR:**

- A. Ne laissez jamais les éléments de surface sans supervision lorsqu'ils sont réglés sur une chaleur élevée ou moyenne. Le bouillonnement occasionne des débordements fumants et grasseux qui peuvent prendre feu. Chauffez à feu doux les substances huileuses, avec un réglage bas ou moyen.
- B. Ne préparez pas des mets flambés sur la cuisinière. Si vous préparez des mets flambés sous la hotte, mettez le ventilateur en marche.
- C. Nettoyez les mécanismes de ventilation fréquemment. Il ne faut pas permettre une accumulation de graisse sur le ventilateur ou sur le filtre.
- D. Utilisez une casserole de bonne taille. Utilisez toujours un ustensile de cuisine qui convienne au diamètre de l'élément de cuisson.

### ⚠ AVERTISSEMENT

**POUR RÉDUIRE LE RISQUE D'INCENDIE, DE SECOURSÉ ÉLECTRIQUE OU DE BLESSURE CORPORELLE, OBSERVEZ LES PRÉCAUTIONS SUIVANTES:**

- A. Vous devez faire exécuter tous les travaux d'installation et de câblage électrique par une personne qualifiée, conformément à tous les codes et les normes en vigueur, en particulier ceux de construction relatifs aux incendies.

LISEZ CES INSTRUCTIONS ET RANGEZ-LES SOIGNEUSEMENT



# CONSIGNES DE SÉCURITÉ IMPORTANTES

## VEUILLEZ LIRE TOUTES LES CONSIGNES AVANT D'UTILISER L'APPAREIL

---

### **▲ AVERTISSEMENT** CONSIGNES GÉNÉRALES DE SÉCURITÉ (suite)

**B.** Vous devez assez d'air pour avoir une bonne combustion et permettre l'évacuation des gaz par le conduit de cheminée du matériel de combustion du carburant, afin d'éviter tout retour d'air. Suivez les directives du fabricant de matériel de combustion et les normes de sécurité comme celles publiées par la National Fire Protection Association (NFPA) et l'American Society for Heating, Refrigeration and Air Conditioning Engineers (ASHRAE), ainsi que les modalités des codes locaux. Le cas échéant, installez un système de compensation d'air (remplacement) conformément aux conditions des codes locaux du bâtiment. Visitez le site **Monogram.com** pour connaître les solutions offertes en matière de système de compensation d'air.

**C.** Si vous faites un trou ou une ouverture dans un mur ou un plafond, n'endommagez pas les fils électriques et les autres installations cachées de service public.

**D.** Vous devez toujours alimenter les ventilateurs dans les conduits en air en provenance de l'extérieur.

### **▲ AVERTISSEMENT** POUR RÉDUIRE LE RISQUE D'INCENDIE, N'UTILISEZ QUE DES CONDUITS EN MÉTAL.

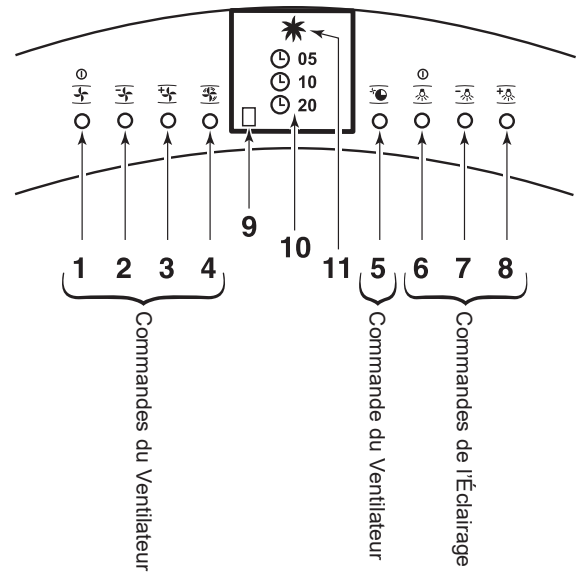
■ N'essayez jamais de remplacer ou de réparer un élément de votre hotte si le présent manuel ne le recommande pas expressément. Tout autre entretien doit être effectué par un technicien qualifié.

LISEZ CES INSTRUCTIONS ET RANGEZ-LES SOIGNEUSEMENT

## Commandes

**REMARQUE:** Évitez d'utiliser des aliments qui produisent des flammes sous la hotte aspirante.

1. ON/OFF (marche/arrêt). La dernière vitesse de ventilation est gardée en mémoire (excepté la vitesse de ventilation la plus élevée – Boost).
2. Abaisse la vitesse.
3. Augmente la vitesse.
4. La vitesse la plus élevée, Boost, peut être sélectionnée immédiatement lorsque la hotte est sous tension.
5. Arrêt différé de la ventilation. Sélectionnez un délai de 5, 10 ou 20 minutes en appuyant sur cette touche.
6. Lumière ON/OFF (marche/arrêt). Garde en mémoire le dernier niveau d'éclairage utilisé. (Six niveaux d'éclairage).
7. Abaisse la luminosité.
8. Augmente la luminosité.
9. Le voyant de nettoyage s'allume au bout de 30 heures d'utilisation pour vous rappeler de nettoyer **les filtres à graisse métalliques**. Le voyant reste allumé jusqu'à ce que les filtres soient remis en place. Si le voyant rouge reste allumé et les filtres sont en place, ajustez le filtre du côté droit. Le décompte se remet à zéro automatiquement.
10. Indique la durée de fonctionnement du ventilateur avant son arrêt automatique (5, 10 ou 20 minutes).
11. Voyant de fonctionnement du ventilateur.



## Pour votre sécurité

Avant de procéder à l'entretien ou au nettoyage de l'appareil, coupez l'alimentation électrique au niveau du tableau de distribution et verrouillez-le pour éviter que l'alimentation électrique ne soit accidentellement rétablie. Si le tableau de distribution ne peut être verrouillé, attachez une étiquette ou un avertissement visible au tableau.

## Filtres à charbon (sur certains modèles)

Si le modèle n'est pas équipé d'une évacuation d'air vers l'extérieur, cet air sera recirculé au travers de filtres à charbon jetables qui éliminent les fumées et les odeurs.

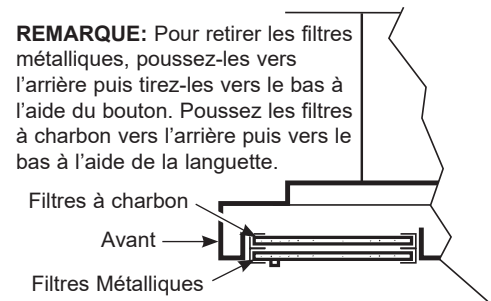
Les filtres à charbon doivent être remplacés dès que vous remarquez qu'ils sont sales ou décolorés (en général, au bout de 6 à 12 mois suivant l'utilisation de la hotte).

**REMARQUE:** NE rincez PAS et NE lavez PAS les filtres à charbon dans le lave-vaisselle.

**Les filtres à charbon ne peuvent pas être nettoyés. Ils doivent être remplacés.**

**Commandez une trousse de 3 Filtres à Charbon WB02X10731.**

Vous pouvez commander cette trousse auprès de votre revendeur Monogram.



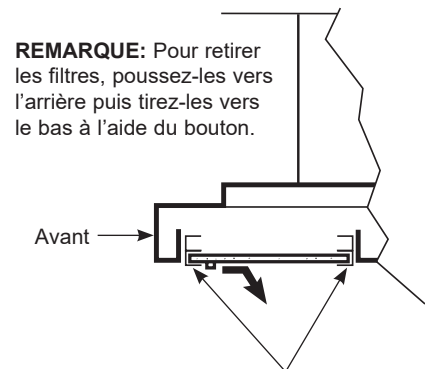
Pour un fonctionnement correct, assurez-vous d'avoir placé les filtres à charbon dans les porte-filtres supérieurs et les filtres métalliques dans les porte-filtres inférieurs.

## Filtre à graisse métallique

Nettoyez le filtre à graisse après 30 heures de fonctionnement. Un voyant vous alertera lorsque les 30 heures de fonctionnement se seront écoulées.

Retirez les filtres à graisse et lavez-les à la main ou au lave-vaisselle à l'aide d'un détergent non-abrasif.

Pour les nettoyer, passez les filtres dans une eau chaude savonneuse ou lavez-les dans le lave-vaisselle. N'utilisez pas de détergent abrasif.



Pour un fonctionnement correct, assurez-vous d'avoir utilisé les porte-filtres inférieurs.

## Surfaces de la hotte

**N'utilisez pas de tampon en laine d'acier sous peine de rayer les surfaces.**

Pour nettoyer une surface en acier inoxydable, utilisez une eau tiède savonneuse ou encore de la cire ou un nettoyant spécialement conçu pour l'acier inoxydable. Nettoyez toujours la surface dans le sens du grain.

Suivez les instructions données pour le nettoyant pour nettoyer la surface en acier inoxydable. Pour toute information concernant l'achat d'un nettoyant ou d'une cire pour les appareils en acier inoxydable ou pour trouver la localisation du revendeur le plus proche de chez vous, appelez notre numéro sans frais :

**Service privilégié de Monogram : 800.444.1845**

**Monogram.com**

### Ampoules

**REMARQUE :** Le diffuseur ne doit être retiré qu'après refroidissement.

**ATTENTION** Avant de remplacer une ampoule, débranchez la hotte de l'alimentation électrique au niveau du fusible principal ou du disjoncteur. Laissez refroidir les ampoules avant de les toucher.

Laissez refroidir complètement le diffuseur ainsi que l'ampoule.

Par sécurité, ne touchez pas une ampoule chaude à mains nues ou avec un chiffon mouillé.

#### Pour remplacer les ampoules:

1. Retirez le diffuseur en insérant un petit tournevis à tête plate dans chacune des fentes pour l'extraire doucement.

**REMARQUE:** Ne retirez pas la garniture externe (ensemble de la lampe).

2. Attrapez l'ampoule et tirez-la directement.

3. Retirez la nouvelle ampoule de son emballage en utilisant des gants ou un chiffon sec. (L'utilisation de gants en latex permet une meilleure prise). L'ampoule doit avoir la même puissance, halogène de 120 volts, 25 watts à culots G-9. Un wattage est trop élevé peut provoquer une défaillance précoce de l'ampoule.

4. Enfoncez l'ampoule jusqu'à la butée dans le réceptacle.

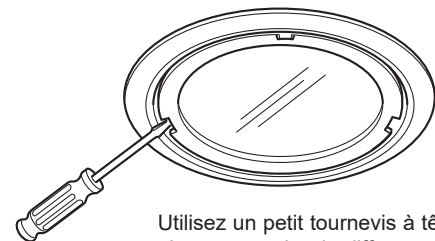
5. Remettez le diffuseur en place en insérant les trois languettes dans les fentes et en appuyant.

**REMARQUE:** Pour un éclairage plus performant, nettoyez fréquemment le diffuseur à l'aide d'un chiffon humide. Ceci doit être fait lorsque la hotte est refroidie.

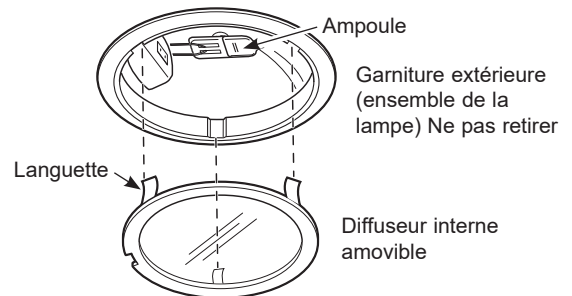
6. Rebranchez l'alimentation électrique de la hotte.

**REMARQUE: Commandez des ampoules halogènes de remplacement de 120 volts, 25 watts avec un culot G-9, WB25X10020.**

Vous pouvez commander ces ampoules auprès de votre revendeur Monogram.

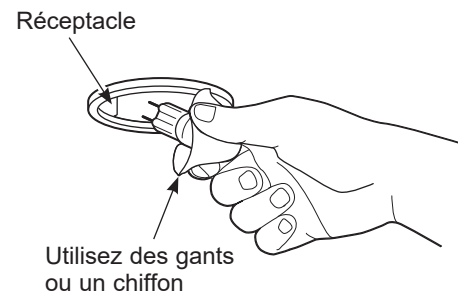


Utilisez un petit tournevis à tête plate pour retirer le diffuseur.



**REMARQUE :** Assurez-vous que les languettes sont insérées dans les fentes.

**Utilisez uniquement une nouvelle ampoule halogène de 120 volts, 25 watts avec un culot G-9.**



**REMARQUE :** Ne touchez pas la nouvelle ampoule halogène à mains nues. Le sébum de la peau peut provoquer une défaillance précoce de l'ampoule.

### Avant d'appeler le service à la clientèle

Économisez du temps et de l'argent! Consultez les tableaux des pages suivantes, et vous n'aurez peut-être pas à appeler le service à la clientèle.

Problème	Causes possibles	Que faire
<b>Le ventilateur ne fonctionne pas lorsque la touche Marche/Arrêt est enfoncée</b>	Le disjoncteur est peut-être déclenché ou un fusible grillé.	Remplacez le fusible ou réenclenchez le disjoncteur.
<b>Le ventilateur ne cesse de s'éteindre et de s'allumer</b>	Le moteur surchauffe probablement et s'éteint. Ceci peut endommager le moteur.	Assurez-vous que le filtre est propre. Si le problème persiste, appelez un technicien. Visitez le site <b>Monogram.com</b> pour connaître les solutions offertes en matière de système de compensation d'air.
<b>Le voyant du filtre du ventilateur est allumé</b>	Le voyant s'allume au bout de 30 heures d'utilisation pour vous rappeler de nettoyer les filtres à graisse métalliques.	Le voyant restera allumé jusqu'à ce que les filtres soient remis en place.
	Le filtre du côté droit ne fait pas contact avec le commutateur.	Ajustez ce filtre.
<b>Le ventilateur ne fonctionne pas lorsque la touche Marche/Arrêt ou la touche + ou – est enfoncée.</b>	Le connecteur du ventilateur est lâche ou n'est pas correctement branché.	Débranchez l'unité de l'alimentation électrique. Soulevez le conduit inférieur et examinez le connecteur du ventilateur. Si le connecteur est lâche, branchez-le de nouveau. Référez-vous aux instructions d'installation pour l'emplacement et le branchement de ce connecteur.
<b>Circulation d'air bruyante ou anormale</b>	La mauvaise dimension de conduit a été utilisée lors de l'installation.	Cette hotte nécessite un conduit de 15,2 cm (6 po) de diamètre et une longueur maximale de conduit de 100 pieds équivalent pour fonctionner correctement. L'utilisation d'un conduit plus étroit ou d'une longueur trop importante conduira à une mauvaise ventilation. Les techniciens de service Monogram ne peuvent corriger ce problème si l'installation n'a pas été faite correctement.
<b>Le ventilateur ne fait pas circuler l'air ou déplace l'air plus lentement que la normale et/ou la circulation d'air par le ventilateur est bruyante ou anormale</b>	Obstructions dans le conduit.	Assurez-vous que rien ne bloque l'évacuation. Assurez-vous que les événements muraux ou de toiture sont équipés de lames ou d'une porte.
	Les lames du registre sur l'évent mural ou de toiture ne sont peut-être pas ouvertes.	Assurez-vous que le registre puisse bouger librement. Les lames du registre peuvent se retourner et ne seront alors pas complètement ouvertes. Remettez-les dans leurs positions initiales.
	Le filtre à graisse métallique et le filtre à charbon (si l'appareil en est équipé) sont peut-être sales.	Nettoyez le filtre à graisse métallique et remplacez le filtre à charbon (si l'appareil en est équipé). Consultez la section entretien et nettoyage.
	L'air de compensation (remplacement) suffisant est nécessaire pour évacuer les appareils pour fonctionner au classement.	Vérifiez avec les codes locaux du bâtiment, qui peuvent exiger ou conseiller vivement l'utilisation d'air de compensation.
<b>Les commandes de la hotte ne fonctionnent pas correctement</b>	La logique de commande ne fonctionne pas correctement.	Coupez l'alimentation de la hotte en déclenchant le disjoncteur. Attendez 30 secondes pour que les commandes se réinitialisent.
<b>Défaillance précoce de l'ampoule</b>	L'ampoule a été remplacée à mains nues.	Remplacez les ampoules en utilisant des gants pour éviter le dépôt de sébum sur les ampoules.
	Le wattage de l'ampoule est trop élevé.	Remplacez avec le wattage correct.

*Notes*

## **GARANTIE DE VOTRE HOTTE MONOGRAM**

**Agrafez ici le chèque oblitéré ou le reçu de votre achat. La preuve d'achat originale sera nécessaire pour bénéficier du service après-vente pendant la période de garantie.**

### **COUVERT PAR LA GARANTIE**

*À partir de la  
date d'achat  
initial*

#### **GARANTIE DE DEUX ANS LIMITÉE**

Durant deux ans à partir de la date d'achat initial, nous fournirons gratuitement les pièces et la main-d'oeuvre à votre domicile, pour réparer ou remplacer **n'importe quelle partie de la hotte** qui serait défectueuse à cause d'un défaut de fabrication.

Cette garantie est étendue à l'acheteur original et à tout propriétaire successif pour les appareils achetés pour un usage domestique ordinaire dans les 48 États continentaux, à Hawaii, à Washington D.C. ou au Canada. Si cet appareil est installé dans un endroit où il n'existe pas de service agréé Monogram, vous pouvez avoir à prendre en charge les frais de transport, ou il peut vous être demandé d'apporter l'appareil dans un service Monogram agréé pour réparation. En Alaska, la garantie est la même, sauf qu'elle est LIMITÉE parce que vous devez prendre en charge les frais de transport au magasin ou les frais de déplacement du technicien du service à votre domicile.

Tous les services de garantie sont fournis par nos centres de service d'usine, ou par un technicien Customer Care® agréé, pendant les heures de travail normales.

Dans le cas où votre appareil nécessiterait une intervention, pendant la période de garantie ou au-delà, appelez le 800.444.1845 aux États-Unis. Au Canada, appelez le 888.880.3030. Munissez-vous du numéro de modèle et du numéro de série lors de votre appel au service après-vente.

### **NON COUVERT PAR LA GARANTIE**

- Les déplacements à domicile pour vous apprendre à utiliser l'appareil.
- Le remplacement des fusibles du domicile ou la réinitialisation des disjoncteurs.
- Un dommage annexe ou consécutif provoqué par d'éventuels défauts de cet appareil.
- Remplacement des filtres jetables.
- Un dommage de l'appareil provoqué par un accident, un incendie, une inondation ou un cas de force majeure.
- Un dommage provoqué après la livraison.
- Une panne de l'appareil dans le cas d'une utilisation autre que celle prévue, ou d'une utilisation commerciale.
- Une installation incorrecte. Si vous rencontrez un problème d'installation, contactez votre revendeur ou votre installateur. Vous êtes responsable de la fourniture appropriée d'électricité, de gaz, d'évacuation et d'autres raccords, comme indiqué dans les instructions d'installation fournies avec votre produit.
- Un appareil non accessible pour exécuter la réparation nécessaire.
- Installation ou entretien pour système de compensation d'air (remplacement).

#### **EXCLUSION DES GARANTIES IMPLICITES**

Vous ne serez en droit de solliciter que la réparation comme le prévoit la garantie limitée. Toutes les garanties implicites, y compris celles afférentes à la qualité marchande ou à l'adéquation à toute fin spécifique, sont limitées à un an, la période la plus courte légalement autorisée.

Certains États n'autorisent pas l'exclusion ou la limitation des dommages indirects, la limitation ou l'exclusion ne vous sont pas applicables. Cette garantie vous confère des droits spécifiques, et vous disposez de droits supplémentaires qui varient d'un état à l'autre.

Pour en savoir plus sur les droits qui vous sont conférés pour un état donné, consultez le bureau d'informations pour les consommateurs le plus proche ou le procureur de votre État.

**Garant : GE Appliances, a Haier company**

**Garant au Canada : MC COMMERCIAL INC, Burlington, ON, L7R 5B6**

---

**Avec l'achat de votre nouvel appareil Monogram vous recevez aussi l'assurance que si vous avez besoin d'information ou d'aide de Monogram, nous serons là pour vous. Vous n'avez qu'à composer le numéro sans-frais !**

---

### **Enregistrez votre électroménager**

Enregistrez votre nouvel appareil en ligne au moment qui vous convient le mieux! L'enregistrement de votre produit dans les délais prescrits permet une meilleure communication et un service rapide, selon les modalités de votre garantie, si besoin est. Vous pouvez également envoyer par courrier la carte d'enregistrement pré-imprimée qui se trouve dans l'emballage de votre appareil.  
Aux États-Unis : **Monogram.com**  
Au Canada : **Prodsupport.mabe.ca/crm/Products/ProductRegistration.aspx**

---

### **Service de réparation**

Un service de réparation expert Monogram se trouve à quelques pas de chez vous. Rendez-vous sur notre site et programmez, à votre convenance, une visite de réparation à n'importe quel jour de l'année.  
Aux États-Unis : **Monogram.com**  
ou composez le 800.444.1845 durant les heures normales de bureau.  
Au Canada : **GEAppliances.ca/en/support/service-request** ou composez le 888.880.3030

---

### **Prolongation de garantie**

Procurez-vous une prolongation de garantie Monogram et informez-vous des rabais spéciaux en vigueur pendant la durée de votre garantie.  
Aux États-Unis : **Monogram.com**  
le 800.444.1845 durant les heures normales de bureau.  
Au Canada :  
**GEAppliances.ca/en/support/purchase-extended-warranty** ou composez le 888.880.3030

---

### **Connectivité à distance**

Pour de l'assistance concernant la connectivité au réseau sans fil (pour les modèles équipés de cette fonction), visitez notre site Web au **Monogram.com** ou composez le 800.444.1845 aux États-Unis seulement.

---

### **Pièces et accessoires**

Les personnes ayant les compétences requises pour réparer elles-mêmes leurs appareils peuvent recevoir directement à la maison des pièces ou accessoires (les cartes VISA, MasterCard et Discover sont acceptées). Commandez en ligne 24 heures par jour.  
Aux États-Unis : **Monogram.com** ou par téléphone au 800.444.1845 durant les heures normales de bureau.

**Les instructions contenues dans le présent manuel comportent des procédures que tout utilisateur peut effectuer. Les autres types de réparation doivent généralement être confiés à un technicien qualifié. Usez de prudence : une réparation ou un entretien mal effectués peuvent rendre l'utilisation de l'appareil dangereuse.**

Les consommateurs au Canada doivent consulter les pages jaunes pour connaître le centre de service MC Commercial le plus proche, visiter notre site Web au **GEAppliances.ca/en/products/parts-filters-accessories** ou composer le 888.880.3030.



# MANUAL DEL PROPIETARIO

Campana de ventilación de  
acero inoxidable

ELEVATE EVERYTHING

**MONOGRAM**

*Table des  
matières*

<b>Información para el consumidor</b> . . . . .	2	<b>Consejos para la Solución de Problemas</b> . . . . .	9
<b>Información Importante de Seguridad</b> . . . . .	4	<b>Garantía</b> . . . . .	11
<b>Controles y Funciones</b>		<b>Soporte para el Consumidor</b> . . . . .	12
Controles . . . . .	6		
<b>Cuidado y limpieza</b>			
Para su seguridad . . . . .	7		
Filtros de carbón . . . . .	7		
Filtro de grasa metálico . . . . .	7		
Superficies de la campana . . . . .	7		
Bombillas de luz . . . . .	8		

*Antes de usar  
su campana  
de acero  
inoxidable*

Lea este manual con detenimiento. Su objetivo es ayudarlo a operar y mantener su nuevo campana de chimenea de una manera adecuada.

Manténgalo a mano para responder sus preguntas.

Si no entiende algo o necesita más ayuda, hay una lista de números gratuitos de atención al cliente en la sección trasera de este manual.

**O**

Visite nuestro sitio Web: **Monogram.com**

*Escriba los  
números  
de modelo  
y de serie*

Usted puede encontrarlos en una etiqueta detrás de los filtros.

Estos números también se encuentran en la Tarjeta de Registro de Propiedad de Producto embalada en forma separada con su campana.

**Antes de enviar la tarjeta, tenga a bien escribir los números aquí:**

Número de modelo

Número de serie

Utilice estos números en cualquier correspondencia o llamadas de servicio técnico relacionadas con su campana.

---

### *Si usted recibió un campana dañado*

Comuníquese de inmediato con el vendedor (o constructor) que le vendió el campana.

---

### *Ahorre tiempo y dinero*

Antes de solicitar servicio técnico, verifique el Solucionador de problemas ubicado en la parte trasera de este manual.

Incluye una lista de problemas operativos menores que usted puede corregir solo.

---

### *Si necesita solicitar el servicio técnico*

Para obtener servicio técnico, diríjase a la página de Servicios para el consumidor en la parte trasera de este manual.

Estamos orgullosos de nuestro servicio y deseamos que usted quede satisfecho. Si por alguna razón no está satisfecho con el servicio que recibe, aquí incluimos algunos pasos a seguir para obtener más ayuda.

PRIMERO, contacte a las personas que realizaron el servicio en su artefacto. Explique por qué no está satisfecho. En la mayoría de los casos, esto solucionará el problema.

DESPUÉS, si aún así no está satisfecho, escriba todos los detalles—incluyendo número telefónico—a:

Manager, Customer Relations  
Monogram  
Appliance Park  
Louisville, KY 40225

# INFORMACIÓN IMPORTANTE DE SEGURIDAD

## LEA TODAS LAS INSTRUCCIONES ANTES DE USAR ESTE ELECTRODOMÉSTICO

### ⚠️ ADVERTENCIA

Lea todas las instrucciones de seguridad antes de utilizar este producto. No seguir estas instrucciones puede generar un incendio, una descarga eléctrica, lesiones corporales o la muerte.

### ⚠️ ADVERTENCIA INSTRUCCIONES GENERALES DE SEGURIDAD

#### ⚠️ ADVERTENCIA PARA REDUCIR EL RIESGO DE INCENDIOS, DESCARGAS ELÉCTRICAS O LESIONES PERSONALES, OBSERVE LO SIGUIENTE:

- A. Use esta unidad solamente de la manera que el fabricante lo indique. Si usted tiene preguntas, póngase en contacto con el fabricante.
- B. Antes de proporcionar servicio o de limpiar la unidad, desconecte el suministro eléctrico en el panel de servicio y cierre el mecanismo de seguridad para evitar que alguien lo conecte accidentalmente. Cuando no exista un dispositivo de cierre de seguridad, amarre un aviso visible, como una etiqueta al panel de servicio haciendo la advertencia.
- C. No use esta unidad con ningún dispositivo de control de velocidad de estado sólido.
- D. Esta unidad debe estar conectada a tierra.

#### ⚠️ PRECAUCIÓN PARA USO DE VENTILACIÓN GENERAL SOLAMENTE. NO USE PARA EXPULSAR MATERIALES PELIGROSOS O EXPLOSIVOS Y VAPORES.

#### ⚠️ ADVERTENCIA PARA REDUCIR EL RIESGO DE LESIONES PERSONALES EN EL CASO DE UN INCENDIO DEBIDO A GRASA DE ESTUFA QUEMADA, HAGA LO SIGUIENTE \*:

- A. CONTenga LAS LLAMAS con una tapa que ajuste bien sobre la sartén, con una lámina para hacer dulces o con una bandeja metálica, y luego apague el quemador. TENGA CUIDADO DE NO QUEMARSE. Si las llamas no se apagan inmediatamente, EVACUE EL LUGAR Y LLAME AL DEPARTAMENTO DE BOMBEROS.
- B. NUNCA AGARRE UNA SARTÉN O UNA OLLA QUE SE ENCUENTRE EN LLAMAS—Se podría quemar.
- C. NO USE AGUA, incluyendo paños de cocina o toallas humedecidas—esto hará que ocurra una explosión de vapor violenta.

#### D. Use un extintor SOLAMENTE si:

1. Usted sabe que tiene un extintor Clase ABC, y si usted ya sabe cómo operarlo.
2. El fuego es pequeño y está contenido al área donde comenzó.
3. El departamento de bomberos ha sido llamado.
4. Usted está luchando contra las llamas con sus espaldas hacia una salida.

\* Basado en "Ideas para la seguridad en la cocina", publicado por NFPA.

#### ⚠️ ADVERTENCIA PARA REDUCIR EL RIESGO DE UN FUEGO DE GRASA DE ESTUFA:

- A. Nunca deje unidades de superficie desatendidas en configuraciones de calor elevadas o medias. Cuando se está hirviendo algo y ocurren derramamientos, estos podrían causar humo y que los derramamientos grasosos se incendien. Caliente los aceites lentamente a selecciones medias y bajas.
- B. Siempre encienda la campana cuando cocine a fuego alto o cuando flambee alimentos (Crepes Suzette, Cherries Jubilee, Flambeado de Carne con Pimienta).
- C. Limpie el ventilador con frecuencia. La grasa no debe acumularse en el ventilador o en el filtro.
- D. Use una sartén de tamaño apropiado. Siempre use piezas de cocina apropiadas para el tamaño del elemento de la superficie.

#### ⚠️ ADVERTENCIA PARA REDUCIR EL RIESGO DE INCENDIOS, DESCARGAS ELÉCTRICAS O LESIONES PERSONALES, OBSERVE LO SIGUIENTE:

- A. El trabajo de instalación y el alambrado eléctrico debe hacerlo una persona(s) calificada conforme a todos los códigos y estándares aplicables, incluyendo una construcción aprobada por el inspector de incendios.

## LEA Y GUARDE ESTAS INSTRUCCIONES

# INFORMACIÓN IMPORTANTE DE SEGURIDAD

## LEA TODAS LAS INSTRUCCIONES ANTES DE USAR ESTE ELECTRODOMÉSTICO

### **⚠️ ADVERTENCIA** INSTRUCCIONES GENERALES DE SEGURIDAD (Cont.)

**B.** Suficiente aire es necesario para una combustión apropiada y para deshacerse de los gases a través de una salida de humo (chimenea) de equipos que queman combustibles para prevenir retroalimentación. Siga las recomendaciones del fabricante del equipo de calentamiento y los estándares de seguridad tales como los publicados por la Asociación nacional de protección de incendios (NFPA), y la Sociedad americana de ingenieros de calefacción, acondicionadores de aire y refrigeración (ASHRAE), y los códigos de las autoridades locales. Cuando corresponda, instale un sistema de reposición (reemplazo) de aire de acuerdo con los requisitos del código local de construcción. Para acceder a soluciones de aire disponibles, visite **Monogram.com**.

**C.** Cuando se encuentre cortando o taladrando en la pared o en el techo, no dañe los alambros eléctricos u otras utilidades escondidas.

**D.** Los ventiladores con conductos deben estar siempre ventilados hacia el exterior.

### **⚠️ ADVERTENCIA** PARA REDUCIR EL RIESGO DE INCENDIOS, SOLAMENTE USE CONDUCTOS METÁLICOS.

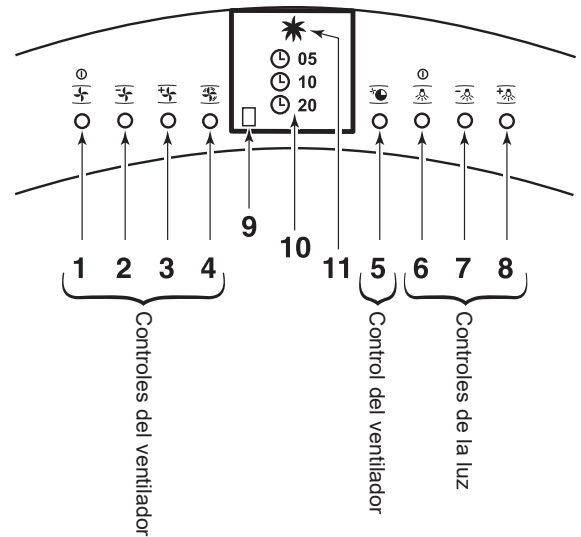
■ No intente reparar o reemplazar ninguna parte de su campana a no ser que lo recomiende específicamente este manual. Cualquier otro servicio debe ser referido a un técnico calificado.

## LEA Y GUARDE ESTAS INSTRUCCIONES

### Controles

**NOTA:** No utilice elementos que generan llamas debajo de la campana de cocina.

1. ON/OFF (encendido/apagado). Recuerda la última velocidad del ventilador utilizada (con excepción de la velocidad de ventilador más alta: Boost (impulso).
2. Baja la velocidad.
3. Aumenta la velocidad.
4. La velocidad más alta, Boost (impulso), se enciende en forma instantánea cuando se acciona el encendido.
5. Apagado de ventilador retardado. Elija 5, 10 o 20 minutos presionando este botón.
6. Luz ON/OFF (encendido/apagado). Vuelve al último nivel de luz utilizado. (Hay seis niveles de luz).
7. Reduce la intensidad de la luz.
8. Aumenta la intensidad de la luz.
9. La luz indicadora de limpieza se ilumina después de 30 horas de tiempo de funcionamiento para recordarle que debe limpiar los filtros de grasa de metal. La luz permanece encendida hasta que se cambien los filtros. Si la luz roja permanece encendida y los filtros están dentro, ajuste el filtro del lado derecho en su lugar. El temporizador se reconfigura en forma automática.
10. Indica el tiempo configurado durante el cual funcionará el ventilador, antes de apagarse en forma automática (5, 10 o 20 minutos).
11. Luz indicadora de ventilador encendido (ON).



### Para su seguridad

Antes de realizar reparaciones o limpiar la unidad, desconecte la energía del panel de servicio y bloquee éste último para evitar el accionamiento de la energía de manera accidental. Si el panel de servicio no puede bloquearse, coloque una etiqueta o cartel de advertencia sobre el panel.

### Filtros de carbón (en algunos modelos)

Si el modelo no tiene ventilación al exterior, el aire se recirculará a través de filtros de carbón desechables que ayudan a remover humo y olores.

Los filtros de carbón deben cambiarse cuando estén visiblemente sucios o decolorados (usualmente después de 6 a 12 meses, dependiendo del uso de la campana).

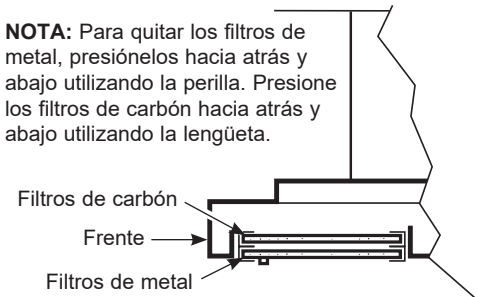
**NOTA:** NO enjuague o coloque los filtros de carbón en el lavavajillas automático.

**Los filtros de carbón no pueden limpiarse. Deben cambiarse.**

**Solicite el kit de filtros de carbón (3 filtros) WB02X10731.**

Puede solicitar este kit a su proveedor de Monogram.

**NOTA:** Para quitar los filtros de metal, presiónelos hacia atrás y abajo utilizando la perilla. Presione los filtros de carbón hacia atrás y abajo utilizando la lengüeta.



Para un funcionamiento adecuado, asegúrese de usar los filtros de carbón en el grupo superior de soportes de los filtros y los filtros de metal en el grupo inferior de soportes de los filtros.

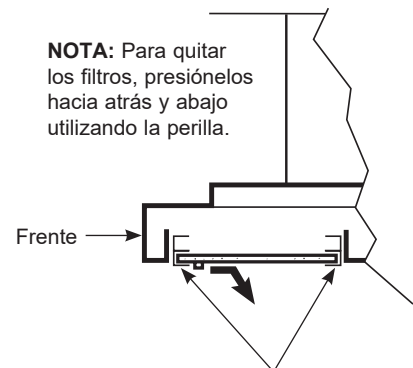
### Filtro de grasa metálico

Limpie el filtro de grasa después de 30 horas de funcionamiento. Una luz indicadora lo alertará cuando hayan pasado 30 horas.

Quite los filtros de grasa y lávelos a mano o en el lavavajillas utilizando jabón no abrasivo.

Para limpiar los filtros, introdúzcalos en agua caliente jabonosa y sacúdalos o lávelos en el lavavajillas. No utilice productos de limpieza abrasivos.

**NOTA:** Para quitar los filtros, presiónelos hacia atrás y abajo utilizando la perilla.



Para un funcionamiento adecuado, asegúrese de utilizar el grupo inferior de soportes de los filtros.

### Superficies de la campana

**No utilice almohadillas de acero porque rayan la superficie.**

Para limpiar la superficie de acero inoxidable, utilice agua tibia jabonosa o un limpiador o lustrador para acero inoxidable. Siempre limpie la superficie en dirección de la veta.

Siga las instrucciones del producto para limpiar la superficie de acero inoxidable. Para consultar sobre la compra de limpiadores o lustradores de aparatos de acero inoxidable, o para encontrar la ubicación del distribuidor más cercano a su domicilio, llame a nuestro número gratuito:

**Servicio preferido de Monogram: 800.444.1845**  
**Monogram.com**

### Bombillas de luz

**NOTA:** La tapa de vidrio sólo debe quitarse cuando está fría al tacto.

#### **▲ PRECAUCIÓN**

Antes de cambiar la bombilla, desconecte la energía eléctrica hacia la campana desde el fusible principal o el interruptor de circuitos. Antes de tocarlas, espere a que las bombillas se enfríen.

Verifique que la tapa de la lámpara y la bombilla se hayan enfriado por completo.

Para mayor seguridad, no toque una bombilla caliente con las manos desnudas o con un trapo húmedo.

#### **Para cambiar las bombillas de luz:**

1. Quite la tapa de la bombilla introduciendo un destornillador plano dentro de las tres ranuras y liberándolas con cuidado.

**NOTA:** No quite el anillo exterior (montaje de la bombilla).

2. Tome la bombilla y tire directamente hacia afuera.

3. Retire la nueva bombilla de su envoltorio utilizando guantes o un paño seco. (Para un mejor agarre, utilice guantes de látex). La bombilla debe ser del mismo vataje, halógena de 120 voltios, 25 vatios con una base G-9. La bombilla puede fallar en forma temprana si el vataje es muy elevado.

4. Empuje la bombilla en línea recta al interior del receptáculo.

5. Vuelva a colocar la tapa de la bombilla introduciendo las tres lengüetas de retención dentro de las ranuras y presionando firmemente en su lugar.

**NOTA:** Para una mejor iluminación, limpie la tapa de vidrio frecuentemente con un paño húmedo. Esta operación debe realizarse cuando la campana está completamente fría.

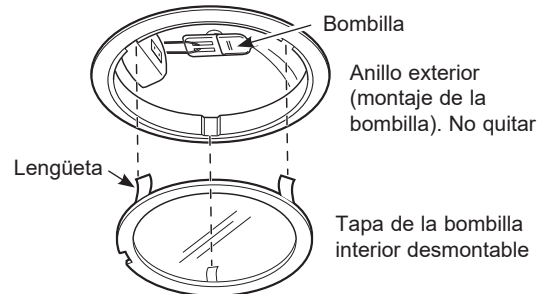
6. Reconecte la alimentación de energía a la campana.

**NOTA: Solicite la bombilla halógena de repuesto WB25X10020 de 120 voltios, 25 vatios con una base G-9.**

Puede solicitar estas bombillas a su proveedor de Monogram.

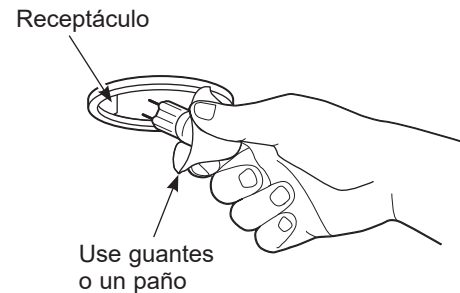


Utilice un destornillador plano para quitar la tapa de la bombilla.



**NOTA:** Asegúrese de que las lengüetas estén colocadas en las ranuras.

**SÓLO utilice una bombilla halógena nueva de 120 voltios, 25 vatios con una base G-9.**



**NOTA:** No toque la bombilla halógena nueva con las manos desnudas. Los aceites de la piel pueden provocar una falla temprana de la bombilla.



### Antes de solicitar el servicio técnico

¡Ahorre tiempo y dinero! Primero revise los cuadros que aparecen en las siguientes páginas y es posible que no necesite solicitar reparaciones.

Problema	Causas Posibles	Qué Hacer
El ventilador no funciona cuando se presiona el botón On/Off (encendido/apagado)	Un fusible puede haberse quemado o el interruptor de circuitos puede haber saltado.	Cambie los fusibles o reconfigure los interruptores.
El ventilador se enciende y apaga sin parar	El motor probablemente se está sobrecalentando y se apaga solo. Esto puede dañar el motor.	Verifique que el filtro esté limpio. Si continúa el ciclo de apagado y encendido, llame al servicio técnico. Para acceder a soluciones de aire disponibles, visite <b>Monogram.com</b> .
La luz del filtro del ventilador está encendida	Después de 30 horas "encendido" o en funcionamiento, la luz le recuerda que debe limpiar los filtros de grasa metálicos.	La luz permanece encendida hasta que se cambien los filtros.
	El filtro del lado derecho no hace contacto con el interruptor.	Ajuste el filtro en su lugar.
El ventilador no funciona cuando se presiona el botón On/Off (encendido/apagado) del ventilador o cuando se presiona el botón + o -	El conector del ventilador está suelto o no se encuentra enchufado dentro de su conector correspondiente.	Desconecte la energía hacia la unidad. Levante la tapa del conducto inferior y observe el enchufe conector del ventilador. Si el enchufe del conector del ventilador está suelto, enchúfelo firmemente. Ver las Instrucciones de instalación para la ubicación del enchufe y sobre cómo enchufar el conector.
Ruido de flujo de aire muy fuerte o anormal	Tamaño de conducto incorrecto utilizado en la instalación.	Esta campana requiere un conducto de 6" y una longitud máxima de conducto de 100 pies equivalentes para funcionar correctamente. Utilizar conductos más pequeños o longitudes equivalentes mayores provocará una ventilación inadecuada. Los técnicos de Monogram no pueden corregir este problema si hay una instalación inadecuada.
El ventilador no hace circular el aire o mueve el aire a una velocidad menor de lo normal y/o el ventilador hace ruido de flujo de aire muy fuerte o anormal	Obstrucciones en el conducto.	Verifique que no haya obstrucciones en la ventilación. Controle que la cubierta de pared o casquete de techo tengan una hoja o puerta.
	La hoja del regulador de tiro de la cubierta de pared o casquete de techo puede estar cerrada.	Asegúrese de que el regulador de tiro se mueva libremente. Las hojas del regulador de tiro pueden darse vuelta y no se abrirán por completo cuando esto suceda. Ajústela con la posición original.
	El filtro de grasa metálico y el filtro de carbón (si lo hubiera) pueden estar sucios.	Limpie el filtro de grasa metálico y vuelva a colocar el filtro de carbón (si lo hubiera). Ver Cuidado y limpieza.
	Se requiere suficiente reposición (reemplazo) de aire para que los artefactos con salida de aire funcionen de acuerdo con sus calificaciones energéticas.	Controle los códigos locales de construcción, que podrán requerir o aconsejar enfáticamente el uso de reposición de aire.
Los controles de la campana no funcionan correctamente	Error en el circuito lógico.	Desconecte la energía hacia la campana reconfigurando el interruptor de circuitos. Espere 30 segundos para que los controles vuelvan a configurarse.
Falla temprana de la bombilla	Cambiar las bombillas con las manos desnudas.	Cambie las bombillas usando guantes para evitar el contacto de aceites de la piel con las bombillas.
	El vataje de la bombilla es muy elevado.	Utilice el vataje correcto.

*Notas*

## **GARANTÍA DE SU CAMPANA MONOGRAM**

**Abroche el recibo de venta o cheque cancelado aquí. Para acceder al servicio técnico correspondiente a la garantía, deberá contar con la prueba de la fecha original de compra.**

### **ELEMENTOS CUBIERTOS**

*Desde la Fecha de la Compra Original*

#### **GARANTÍA LIMITADA DE DOS AÑOS**

Por dos años desde la fecha original de compra, le brindaremos, sin costo, piezas y trabajos del servicio técnico en su hogar para la reparación o reemplazo de **cualquier parte de la campana de ventilación** que presente fallas debido a defectos de fabricación.

Esta garantía se extiende al comprador original y cualquier dueño posterior para productos adquiridos para uso doméstico dentro de los 48 estados continentales, Hawaii, Washington, D.C. o Canadá. Si el producto se encuentra en una región donde no hay Servicio Técnico de Monogram, usted será responsable del cargo del viaje o usted puede tener que llevar el producto a un Servicio Técnico Autorizado de Monogram para efectuar la reparación. En Alaska la garantía es la misma salvo que es LIMITADA porque usted debe pagar el envío del producto a la tienda de servicio técnico o los gastos de viaje del técnico hasta su hogar.

Todo el servicio de garantía debe suministrarse por parte de nuestros Centros de Servicio de Fábrica o por técnicos autorizados de Customer Care® durante un horario normal de trabajo.

Si su artefacto requiere servicio técnico, durante el período de garantía o después del mismo, en los EE.UU. llame al 800.444.1845. En Canadá: 888.880.3030. Tenga el número de serie y de modelo a mano cuando llame para solicitar un servicio técnico.

### **ELEMENTOS NO CUBIERTOS**

- Visitas a su hogar para enseñarle a usar el producto.
- Reemplazo de fusibles domésticos o la reconfiguración de disyuntores.
- Daños incidentales o resultantes provocados por posibles defectos en este artefacto.
- Recambio de los filtros reemplazables.
- Daños al producto provocados por accidentes, incendios, inundaciones o fuerza mayor.
- Daños provocados después de la entrega.
- Fallas del producto si se utiliza para un objetivo diferente del previsto o se usa de forma comercial.
- Instalación inadecuados. Si tiene un problema con la instalación, comuníquese con su vendedor o instalador. Usted es responsable de suministrar adecuadas instalaciones eléctricas, de gas, de salida y otras conexiones como se describe en las Instrucciones de Instalación incluidas con el producto.
- Producto no accesible para prestar el servicio técnico solicitado.
- Instalación o servicio técnico para sistemas con reposición (reemplazo) de aire.

#### **EXCLUSIÓN DE GARANTÍAS IMPLÍCITAS**

Su único y exclusivo recurso es la reparación del producto como se establece en la presente Garantía Limitada. Las garantías implícitas, incluyendo garantías de comerciabilidad y aptitud para un objetivo particular, se encuentran limitadas a un año o el período más corto permitido por la ley.

Algunos estados no permiten la exclusión o limitación de daños incidentales o resultantes, por lo tanto esta exclusión o limitación puede no aplicarse en su caso. Esta garantía le otorga derechos legales específicos y usted puede contar con otros derechos, que pueden variar de estado a estado.

Para conocer sus derechos legales en su estado, consulte a su oficina del consumidor local o estatal o al Fiscal General de su estado.

**Garante: GE Appliances, a Haier company**

**Garante en Canadá: MC COMMERCIAL INC, Burlington, ON, L7R 5B6**

---

**Con la compra de su nuevo artefacto Monogram, tenga la tranquilidad de que si alguna vez necesita información o asistencia de Monogram, estaremos listos para hacerlo. ¡Todo lo que tiene que hacer es llamar en forma gratuita!**

---

## **Registre su Electrodoméstico**

¡Registre su electrodoméstico nuevo a través de Internet, según su conveniencia! Un registro puntual de su producto permitirá una mejor comunicación y un servicio más puntual de acuerdo con los términos de su garantía, en caso de surgir la necesidad. También puede enviar una carta en la tarjeta de inscripción preimpresa que se incluye con el material embalado.

En EE.UU.: **Monogram.com**

En Canadá: **Prodsupport.mabe.ca/crm/Products/ProductRegistration.aspx**

## **Servicio Programado**

El servicio de reparación de expertos de Monogram está a sólo un paso de su puerta. Conéctese a través de Internet y programe su servicio a su conveniencia cualquier día del año.

En EE.UU.: **Monogram.com**

o comuníquese al 800.444.1845 durante el horario de atención comercial.

En Canadá: **GEAppliances.ca/en/support/service-request** o llame al 888.880.3030

## **Garantías Extendidas**

Adquiera una garantía extendida de Monogram y conozca los descuentos especiales que están disponibles mientras su garantía aún está vigente.

En EE.UU.: **Monogram.com**

o comuníquese al 800.444.1845 durante el horario de atención comercial.

En Canadá: **GEAppliances.ca/en/support/purchase-extended-warranty** o llame al 888.880.3030

## **Conectividad Remota**

Para solicitar asistencia para la conectividad de red inalámbrica (para modelos con acceso remoto), visite nuestro sitio web en **Monogram.com** o comuníquese al 800.444.1845 en EE.UU. únicamente.

## **Piezas y Accesorios**

Aquellos individuos calificados para realizar el servicio técnico de sus propios electrodomésticos podrán solicitar el envío de piezas o accesorios directamente a sus hogares (se aceptan las tarjetas VISA, MasterCard y Discover). Ordene hoy a través de Internet durante las 24 horas, todos los días. En EE.UU.: **Monogram.com** o de forma telefónica al 800.444.1845 durante el horario de atención comercial.

**Las instrucciones que figuran en este manual cubren los procedimientos que serán realizados por cualquier usuario. Otros servicios técnicos generalmente deben ser derivados a personal calificado del servicio. Se deberá tener cuidado, ya que una reparación indebida podrá hacer que el funcionamiento no sea seguro.**

Los clientes de Canadá deberán consultar en las páginas amarillas el centro de servicios de MC Commercial más cercano; visite nuestro sitio web en **GEAppliances.ca/en/products/parts-filters-accessories** o comuníquese al 888.880.3030.