



Direct Air Convection Built-In Electric Wall Oven

Safety Information 2

Warranty..... 4

Registration Card 5

Assistance / Accessories ... 7

Using The Oven

Oven Controls..... 8

Special Features 9

Oven Racks 11

Cooking Modes 13

Cookware..... 14

Cooking Guide 15

Care and Cleaning

Control Panel 16

Oven Exterior 16

Stainless Steel Surfaces 16

Oven Interior..... 16

Oven Racks 17

Maintenance..... 18

Troubleshooting Tips 19

Owner's Manual

PCT7050 - 30" Single Wall Oven

For a Spanish version of this manual, visit our Website at GEAppliances.com.

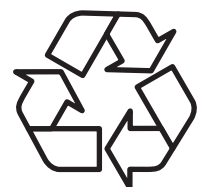
Para consultar una version en español de este manual de instrucciones, visite nuestro sitio de internet GEAppliances.com.

Write the model and serial numbers here:

Model # _____

Serial # _____

You can find them on a label on the side trim or on the front of the (lower) oven behind the oven door.



Printed on Recycled Paper

IMPORTANT SAFETY INFORMATION. READ ALL INSTRUCTIONS BEFORE USING.

⚠ WARNING

Read all safety instructions before using the product. Failure to follow these instructions may result in fire, electrical shock, serious injury or death.

⚠ WARNING GENERAL SAFETY INSTRUCTIONS

- Use this appliance only for its intended purpose as described in this Owner's Manual.
- Be sure your appliance is properly installed and grounded by a qualified installer in accordance with the provided installation instructions.
- Do not attempt to repair or replace any part of your oven unless it is specifically recommended in this manual. All other servicing should be transferred to a qualified technician.
- Before performing any service, disconnect the power supply at the household distribution panel by removing the fuse or switching off the circuit breaker.
- Do not leave children alone—children should not be left alone or unattended in an area where an appliance is in use. They should never be allowed to climb, sit or stand on any part of the appliance.
- **⚠ CAUTION** : Do not store items of interest to children in cabinets above an oven - children climbing on the oven to reach items could be seriously injured.
- Use only dry pot holders—moist or damp pot holders on hot surfaces may result in burns from steam. Do not let pot holders touch hot heating elements. Do not use a towel or other bulky cloth in place of pot holders.
- Never use your appliance for warming or heating the room.
- Do not touch the heating elements or the interior surface of the oven. These surfaces may be hot enough to burn even though they are dark in color. During and after use, do not touch, or let clothing or other flammable materials contact any interior area of the oven; allow sufficient time for cooling first. Other surfaces of the appliance may become hot enough to cause burns. Potentially hot surfaces include the oven vent opening, surfaces near the opening and crevices around the oven door.
- Do not heat unopened food containers. Pressure could build up and the container could burst, causing an injury.
- Do not use aluminum foil to line the oven bottom. Foil can trap heat or melt, resulting in damage to the product and a shock or fire hazard.
- Avoid scratching or impacting glass doors or control panels. Doing so may lead to glass breakage. Do not cook on a product with broken glass. Shock, fire or cuts may occur.
- Cook meat and poultry thoroughly—meat to at least an internal temperature of 160°F and poultry to at least an internal temperature of 180°F. Cooking to these temperatures usually protects against foodborne illness.

SAVE THESE INSTRUCTIONS

⚠ WARNING**KEEP FLAMMABLE MATERIALS AWAY FROM THE OVEN**

Failure to do so may result in fire or personal injury.

- Do not store or use flammable materials in or near an oven, including paper, plastic, pot holders, linens, wall coverings, curtains, drapes and gasoline or other flammable vapors and liquids.
- Never wear loose-fitting or hanging garments while using the appliance. These garments may ignite if they contact hot surfaces, causing severe burns.
- Do not let cooking grease or other flammable materials accumulate in or near the oven. Grease in the oven or near the oven may ignite.

⚠ WARNING**IN THE EVENT OF A FIRE, TAKE THE FOLLOWING STEPS TO PREVENT INJURY AND FIRE SPREADING**

- Do not use water on grease fires. Never pick up a flaming pan.
- If there is a fire in the oven during baking, smother the fire by closing the oven door and turning the oven off or by using a multi-purpose dry chemical or foam-type fire extinguisher.
- If there is a fire in the oven during self-clean, turn the oven off and wait for the fire to go out. Do not force the door open. Introduction of fresh air at self-clean temperatures may lead to a burst of flame from the oven. Failure to follow this instruction may result in severe burns.

⚠ WARNING**OVEN SAFETY INSTRUCTIONS**

- Stand away from the oven when opening the oven door. Hot air or steam which escapes can cause burns to hands, face and/or eyes.
- Keep the oven vent unobstructed.
- Keep the oven free from grease buildup. Grease in the oven may ignite.
- Place oven racks in desired location while oven is cool. If rack must be moved while oven is hot, do not let pot holder contact hot heating element in oven.
- When using cooking or roasting bags in the oven, follow the manufacturer's directions.
- Pulling out the standard racks to their stop-locks or the extension rack to its fully open position is a convenience in lifting heavy foods. It is also a precaution against burns from touching hot surfaces of the door or oven walls.
- Do not leave items such as paper, cooking utensils or food in the oven when not in use. Items stored in an oven can ignite.
- Do not use aluminum foil to line the oven bottom. Foil can trap heat or melt, resulting in damage to the product and a shock or fire hazard.

⚠ WARNING**SELF-CLEANING OVEN SAFETY INSTRUCTIONS**

The self-cleaning feature operates the oven at temperatures high enough to burn away food soils in the oven. Follow these instructions for safe operation.

- Do not touch oven surfaces during self-clean operation. Keep children away from the oven during self-cleaning. Failure to follow these instructions may cause burns.
- Before self-cleaning the oven, remove shiny silver colored oven racks (on some models), the probe, any aluminum foil, and any broiler pan, grid, and other cookware. Only porcelain coated oven racks may be left in the oven.
- Before operating the self-clean cycle, wipe grease and food soils from the oven. Excessive amount of grease may ignite, leading to smoke damage to your home.
- If the self-cleaning mode malfunctions, turn the oven off and disconnect the power supply. Have it serviced by a qualified technician.
- Do not clean the door gasket. The door gasket is essential for a good seal. Care should be taken not to rub, damage or move the gasket.
- Do not use oven cleaners. No commercial oven cleaner or oven liner protective coating of any kind should be used in or around any part of the oven.

SAVE THESE INSTRUCTIONS

Thank You! ... for your purchase of a GE Brand appliance.

Register Your Appliance: Register your new appliance on-line at your convenience!

www.geappliances.com/service_and_support/register/

Timely product registration will allow for enhanced communication and prompt service under the terms of your warranty, should the need arise. You may also mail in the pre-printed registration card included in the packing material.

Built-In Electric Range Warranty

GEAppliances.com

All warranty service is provided by our Factory Service Centers, or an authorized Customer Care® technician. To schedule service on-line, visit us at www.GEAppliances.ca or call 1.800.561.3344. Please have serial number and model number available when calling for service.

Servicing your appliance may require the use of the onboard data port for diagnostics. This gives a service technician the ability to quickly diagnose any issues with your appliance and helps Mabe improve its products by providing Mabe with information on your appliance. If you do not want your appliance data to be sent to Mabe, please advise your technician not to submit the data to Mabe at the time of service.

For the period of one year from the date of the original purchase, any part of the range which fails due to a defect in materials or workmanship. During this limited one-year warranty, Mabe will also provide, free of charge, all labor and in-home service to replace the defective part.

What Mabe will not cover:

- Service trips to your home to teach you how to use the product.
- Improper installation, delivery or maintenance.
- Failure of the product if it is abused, misused, modified or used for other than the intended purpose or used commercially.
- Replacement of house fuses or resetting of circuit breakers.
- Damage to the product caused by accident, fire, floods or acts of God.
- Incidental or consequential damage caused by possible defects with this appliance.
- Damage caused after delivery.
- Product not accessible to provide required service.

EXCLUSION OF IMPLIED WARRANTIES

Your sole and exclusive remedy is product repair as provided in this Limited Warranty. Any implied warranties, including the implied warranties of merchantability or fitness for a particular purpose, are limited to one year or the shortest period allowed by law.

This warranty is extended to the original purchaser and any succeeding owner for products purchased in Canada for home use within the Canada. In-home warranty service will be provided in areas where it is available and deemed reasonable by Mabe to provide.

Some provinces do not allow the exclusion or limitation of incidental or consequential damages. This warranty gives you specific legal rights, and you may also have other rights which vary from province to province. To know what your legal rights are in your province consult your local or provincial consumer affairs office.

Warrantor: Mabe Canada Inc., Burlington, Ontario

Staple your receipt here. Proof of the original purchase date is needed to obtain service under the warranty.

Please place in envelope and mail to:
Veuillez mettre dans une enveloppe et envoyez à :

OWNERSHIP REGISTRATION
P.O. BOX 1780
MISSISSAUGA, ONTARIO
L4Y 4G1

(FOR CANADIAN CONSUMERS ONLY)



For Canadian
Customers



Pour les
Consommateurs
Canadiens

CUT ALONG THIS LINE AND RETURN CARD—THANKS

OWNERSHIP REGISTRATION CERTIFICATE – FICHE D'INSCRIPTION DU PROPRIÉTAIRE

Please register your product to enable us to contact you in the remote event a safety notice is issued for this product and to allow for efficient communication under the terms of your warranty, should the need arise.

Veillez enregistrer votre produit afin de nous permettre de communiquer avec vous si jamais un avis de sécurité concernant ce produit était émis et de communiquer facilement avec vous en vertu de votre garantie, si le besoin s'en fait sentir.

REGISTER ON-LINE: www.geappliances.ca		MAIL TO: P.O. BOX 1780, MISSISSAUGA	
ENREGISTREMENT SUR INTERNET À: www.electromenagersge.ca		POSTER À: ONTARIO, L4Y 4G1	
<input type="checkbox"/> MR./M	<input type="checkbox"/> MRS./MME.	FIRST NAME / PRÉNOM	LAST NAME / NOM
<input type="checkbox"/> MISS/MLLE.	<input type="checkbox"/> MS.		
STREET NO / N° RUE	STREET NAME / RUE		APT. NO / APP. / RR#
CITY / VILLE		PROVINCE	POSTAL CODE / POSTAL
AREA CODE / IND. RÉG.	TELEPHONE	E-MAIL	
DID YOU PURCHASE A SERVICE CONTRACT FOR THIS APPLIANCE? AVEZ-VOUS ACHETÉ UN CONTRAT DE SERVICE POUR CET APPAREIL ?		YES / OUI <input type="checkbox"/>	IF YES / SI OUI: EXPIRATION
		NO / NON <input type="checkbox"/>	Y/A M D/J
NAME OF SELLING DEALER / NOM DU MARCHAND		MODEL / MODÈLE	
INSTALLATION DATE / DATE D'INSTALLATION Y/A M D/J	CORRESPONDENCE <input type="checkbox"/> ENGLISH CORRESPONDANCE <input type="checkbox"/> FRANÇAIS	SERIAL / SÉRIE	
<input type="checkbox"/> I do not wish to receive any promotional offers regarding this product. <input type="checkbox"/> Je ne désire pas recevoir d'offres promotionnelles concernant ce produit.			

Have a question or need assistance with your appliance?

Try the GE Appliances Website (www.geappliances.com/service_and_support/) 24 hours a day, any day of the year! For greater convenience and faster service, you can now download Owner's Manuals, order parts or even schedule service on-line.

Schedule Service: Expert GE repair service is only one step away from your door. Get on-line and schedule your service at www.GEAppliances.ca or call 1.800.561.3344 during normal business hours.

Parts and Accessories: Individuals qualified to service their own appliances can have parts or accessories sent directly to their homes (VISA, MasterCard and Discover cards are accepted). Order on-line today, 24 hours every day or by phone at 1.800.661.1616 during normal business hours.

Instructions contained in this manual cover procedures to be performed by any user. Other servicing generally should be referred to qualified service personnel. Caution must be exercised, since improper servicing may cause unsafe operation.

Contact Us: If you are not satisfied with the service you receive from GE, contact us on our Website with all the details including your phone number, or write to:

Mabe Canada Inc.
1 Factory Lane
Moncton, New Brunswick, E1C 9M3

Accessories

Looking For Something More?

GE offers a variety of accessories to improve your cooking and maintenance experiences!

To place an order visit us online at:

www.GEAppliances.ca

800.661.1616

The following products and more are available:

Accessories

Small Broiler Pan (8 ¾" x 1 ¼" x 13 ½")	222D2097G001 (Canada)
Large* Broiler Pan (12 ¾" x 1 ¼" x 16 ½")	222D2097G002 (Canada)

Parts

Oven racks	Part numbers vary by model
Oven elements	Part numbers vary by model
Light bulbs	Part numbers vary by model
Probe	Part numbers vary by model

Cleaning Supplies

CitruShine Stainless Steel Wipes	WX10X10007
CeramaBryte Stainless Steel Appliance Cleaner	PM10X311
Graphite Lubricant	WB02T10303

*The large broiler pan does not fit in 20"/24" ranges.

**The XL broiler pan does not fit in 24" wall ovens, 27" drop ins or 20"/24" ranges

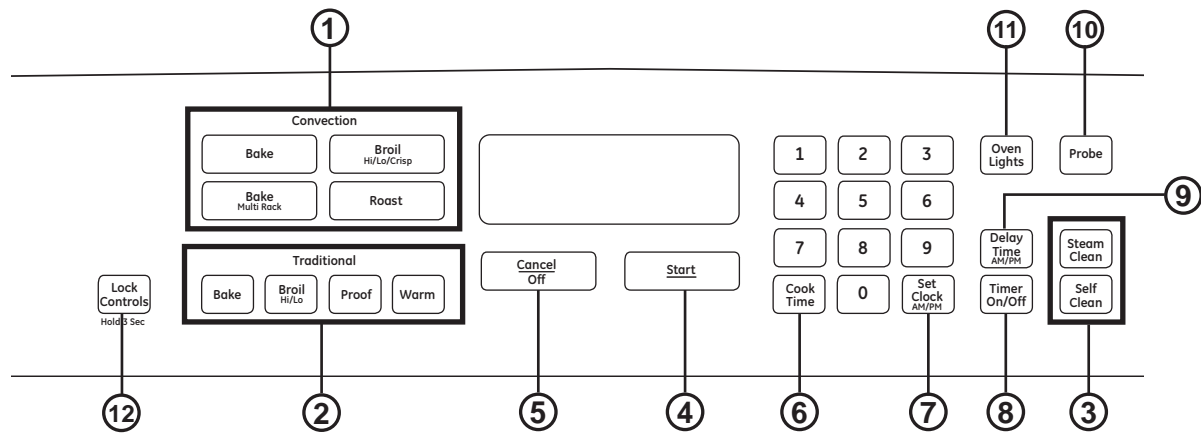
How to Remove Protective Shipping Film and Packaging Tape

Carefully grasp a corner of the protective shipping film with your fingers and slowly peel it from the appliance surface. Do not use any sharp items to remove the film. Remove all of the film before using the appliance for the first time.

To assure no damage is done to the finish of the product, the safest way to remove the adhesive from packaging tape on new appliances is an application of a household liquid dishwashing detergent. Apply with a soft cloth and allow to soak.

NOTE: The adhesive must be removed from all parts. It cannot be removed if it is baked on.

Single Wall Oven



1. **Convection Cooking Modes:** Convection cooking modes use increased air circulation to improve performance. The type of benefit depends on the mode. Your oven has the following convection cooking modes: Bake, Bake Multi Rack, Roast, Broil Hi, Broil Lo, and Broil Crisp. See the Cooking Modes section for more information.
2. **Traditional Cooking Modes:** Your oven has the following traditional cooking modes: Bake, Broil Hi, Broil Lo, Proof and Warm. See the Cooking Modes section for more information.
3. **Clean:** Your oven has two cleaning modes: Self Clean and Steam Clean. See the Cleaning the Oven section for important information about using these modes.
4. **Start:** Must be pressed to start any cooking, cleaning, or timed function.
5. **Cancel/Off:** Cancels ALL oven operations except the clock and timer.
6. **Cook Time:** Counts down cooking time and turns off the oven when the cooking time is complete. Press the **Cook Time** pad, use the number pads to program a cooking time in hours and minutes, then press **Start**. This can only be used with Traditional Bake, Convection Bake, Convection Bake Multi, and Convection Roast.
7. **Clock:** Sets the oven clock time. Press the **Clock** pad and the number pads to program the clock. Make sure to select **AM** or **PM**. Press **Start** to save the time.
8. **Timer:** Works as a countdown timer. Press the **Timer** pad and the number pads to program the time in hours and minutes. Press the **Start** pad. The oven will continue to operate when the timer countdown is complete. To turn the timer off press the **Timer** pad.
9. **Delay Time:** Delays when the oven will turn on. Use this to set a time when you want the oven to start. Press the **Delay Time** pad and use the number pads to program the time of day for the oven to turn on. Press the desired cooking mode and temperature then press **Start**. A cook time may also be programmed if desired. This can only be used with Traditional Bake, Convection Bake, Convection Bake Multi Rack, Convection Roast and Self-Clean.
NOTE: When using the delay time feature, foods that spoil easily—such as milk, eggs, fish, stuffings, poultry and pork—should not be allowed to sit for more than 1 hour before or after cooking. Room temperature promotes the growth of harmful bacteria. Be sure that the oven light is off because heat from the bulb will speed harmful bacteria growth.
10. **Probe:** Monitors internal food temperature and turns the oven off when the food reaches the programmed temperature. Insert the probe, program the cooking mode, and program the probe temperature. See the Cooking Modes section for more information. The probe can only be used with Traditional Bake, Convection Bake, and Convection Roast.
11. **Oven Light(s):** Turns the oven light(s) on or off.
12. **Lock Controls:** Locks out the control so that pressing the pads does not activate the controls. Press and hold the **Lock Controls** pad for three seconds to lock or unlock the control. **Cancel/Off** is always active, even when the control is locked.

Special Features

There are numerous special features that are controlled using the number key pad.

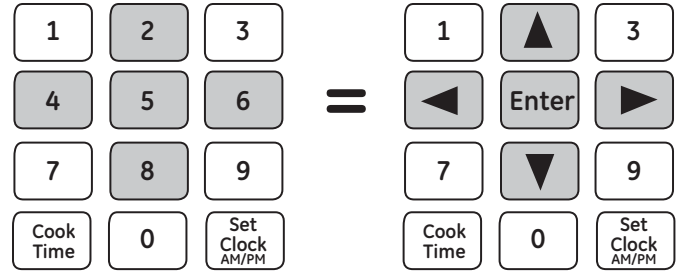
- Degree - Fahrenheit or Celsius temperature display
- End tone - Cycle End Tone
- Sound - Tone Volume
- Setting - Clock Setting
- Auto Recipe - Auto Recipe Conversion (for Convection Baking)
- 12hr shutoff - 12 Hour Shutoff
- Sabbath - Sabbath mode
- Temp Offset - Adjust the oven temperature
- Default - Reset control to factory settings

To change the Special Features settings follows these guidelines.

Press and hold the **Traditional Bake** and **Traditional Broil** pads for 3 seconds simultaneously.

When you enter the special features mode:

- The numbers **2** and **8** act as up and down to scroll thru the features and their settings.
- The numbers **4** and **6** act as right and left to change back and forth from scrolling thru the features to changing the feature settings.
- The number **5** acts as an enter pad.



Press and hold the **Traditional Bake** and **Traditional Broil** pads for 3 seconds simultaneously to exit the special feature mode.

Example: Adjusting the Oven Temperature

1. Press and hold the **Traditional Bake** and **Traditional Broil** pads for 3 seconds simultaneously to enter special features mode.
2. Press the number **2** pad until the display reads “tE-P oFFSEt”.
3. Press the number **6** pad to change the special feature setting.
4. Press the number **2** or **8** pads to either increase or decrease the temperature in one degree Fahrenheit increments up to + 35° F or down to -35° F.
5. Press the number **5** pad to save your desired change.
6. Press the number **4** pad to return to the other features.
7. Press and hold the **Traditional Bake** and **Traditional Broil** pads for 3 seconds simultaneously to exit the special feature mode.

Fahrenheit or Celsius Temperature Display

Your oven control is set to use Fahrenheit temperature units but can be changed to use Celsius temperature units if preferred.

Cycle End Tone (End tOnE)

This is the tone that signals the end of a timer. You can change it to be one tone (bEEP) or a continuous repeating tone (Con bEEP).

Tone Volume (SoUnd)

This feature allows the oven tone volume to be adjusted between Hi, std (default), Lo, and oFF.

Clock Setting (SEttinG)

This feature specifies how the time of day will be displayed. Options are for a standard 12-hour clock with AM and PM selections (12 Hr), 24-hour military time display (24 Hr), or for no display (oFF).

Auto Recipe Conversion (AUto rECiPE)

When using Convection Bake or Convection Bake Multi cooking modes, Auto Recipe conversion will automatically reduce the programmed cooking temperature. Note that this option does not convert convection baking times, only temperatures.

12-hour Shutoff (12 Hr SHUtoFF)

When this feature is turned on, the oven will automatically turn off after 12 continuous hours of use.

Default (dEFaULt)

This feature resets all of the special features to the default settings originally on the oven.

Special Features (cont.)

Adjust the Oven Temperature (tE-P oFFSEt)

This feature allows the oven temperature to be adjusted up to 35°F hotter or down to 35°F cooler. Use this feature if you believe your oven temperature is too hot or too cold and wish to change it. This adjustment affects Traditional Bake, Convection Bake, and Convection Bake Multi Rack modes.

Sabbath

Sabbath mode disables the oven lights, (the oven light will not turn on when the door is opened and the notification light bar will be disabled), all sounds (the control will not beep when a button is pressed), Convection modes, Broil modes, Warm, Proof, Cook Time, Timer, Clock, and Delay Time functions. Sabbath mode can only be used with Bake. This feature conforms to the Star-K Jewish Sabbath requirements.

Press and hold the **Traditional Bake** and **Traditional Broil** pads for 3 seconds to enter special features mode. Use the number **2** or **8** pad to scroll thru the special features options to "SAbbAtH" and then press the number **6** pad to allow the number **2** or **8** pad to change the Sabbath feature setting from "oFF" to "on".

Press the number **5** pad to enter the selection. Press and hold the **Traditional Bake** and **Traditional Broil** pads for 3 seconds to exit special features mode. A] will appear in the display and the clock will not display.

Once in Sabbath mode, at any time you can press **Bake**, the control will start at 350F but you can use the number pads to enter a different temperature between 170F and 550F if necessary, and then press **Start**. No sound will be given when the keys are pressed. At a random time between 30 seconds and 1 minute,]], will appear in the display indicating the oven is running.

If you need to adjust the temperature, press **Bake**, use the number pads to enter a new temperature between 170F and 550F, and press **Start**.

To turn the oven off, press **Cancel/Off** at any time. The oven will immediately turn off and the,]], will change to] indicating that the oven has turned off.

To exit Sabbath mode, first turn the oven off. Then press and hold the **Traditional Bake** and **Traditional Broil** pads for 3 seconds to enter special features mode. You will not be able to enter special features mode if the oven is not turned off.

Use the number **2** or **8** pad to scroll thru the special features options to "SAbbAtH" and then press the **6** pad to allow the number **2** or **8** pad to change the Sabbath feature setting from "on" to "oFF".

Press the number **5** pad to enter the selection. Then press and hold the **Traditional Bake** and **Traditional Broil** pads for 3 seconds to exit special features mode.

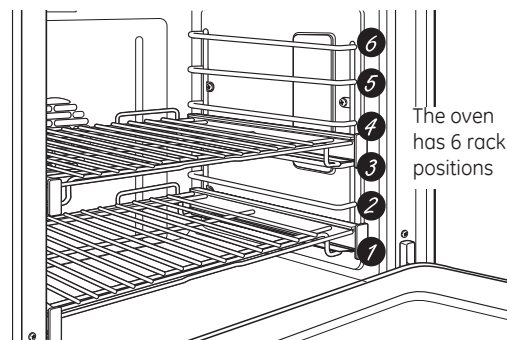
NOTE: If power outage occurs during Sabbath mode the unit will remain in Sabbath mode but off when power is restored.

If you wish to use the Cook Time feature to bake in the oven and then have the oven automatically turn off, do not enter Sabbath mode. You will need to change the End Tone from a continuous beep to a single beep, turn the Tone Volume off, and turn the oven light on using the control panel or remove the light bulb and then you can program the oven for the desired cook time in bake.

Oven Racks

Your oven has six rack positions. Recommended rack positions for various types of foods are provided in the Cooking Guide. Adjusting rack position is one way to impact cooking results. For example, if you would prefer darker tops on cakes, muffins, or cookies, try moving food one rack position higher. If you find foods are too brown on top try moving them down next time.

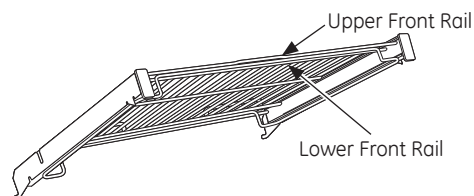
When baking with multiple pans and on multiple racks, ensure there is at least 1½" between pans to allow sufficient space for air to flow.



Oven Racks

Your oven may have extension racks and/or traditional flat racks.

To avoid possible burns, place the racks in the desired position before you turn the oven on.

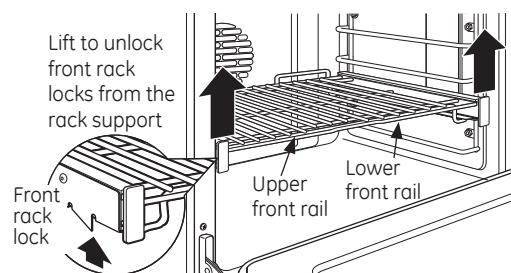


Extension Racks

Extension racks have a frame that locks into the rack supports on both sides. Once the frame is locked into place, always pull the rack out, by its upper front rail, to its full extension stop position, when placing or removing cookware.

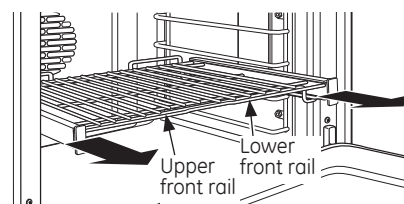
If extension racks are difficult to extend, lubricate the racks with the graphite lubricant provided with your oven. Remove the rack from the oven, remove debris in the slide tracks with a paper towel, shake the graphite lubricant and place 4 small drops on the two bottom tracks of the left and right sides. Open and close the rack several times to distribute the lubricant.

To order additional graphite lubricant, read the Assistance and Accessories section at the beginning of this manual.



To Remove An Extension Rack:

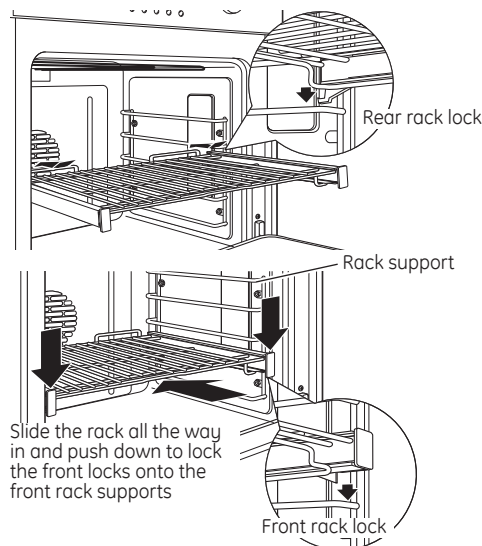
1. Make sure the rack is pushed all the way into the oven.
2. Grasp the rack by both its upper front rail and its lower front rail and lift straight up to unlock the front rack locks from the rack supports.
3. Firmly holding onto both the upper and lower front rails, pull the rack forward and remove it from the oven.



To Replace An Extension Rack:

1. Place the rear rack locks over and onto the rack supports.
2. Slide the rack all the way in until the rear rack locks are secure on the rear rack supports and press the front rack locks onto the front rack supports.

If extension racks are difficult to replace or remove, wipe the oven rack supports with cooking oil. Do not wipe oil on the rack slides.



Oven Racks (cont.)

Traditional Flat Racks

The racks have stops so that when placed correctly on the supports they will stop before coming completely out and will not tilt. When placing and removing cookware, pull the rack out until it stops.

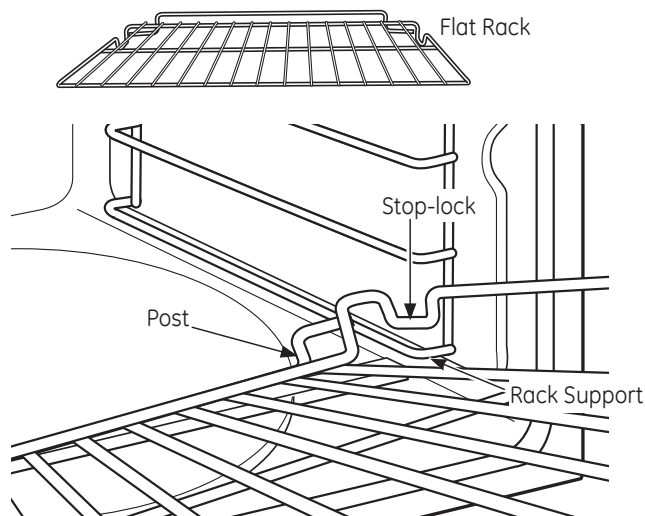
To Remove a Rack

Pull it toward you, tilt the front end up and pull it out.

To Replace a Rack

Tilt the front of the rack up, hook the rear locating posts under the rack supports, push the rack back (past the stop-locks) and lower it into position. Push the rack all the way in.

If flat racks are difficult to slide and/or remove, place some cooking oil on a soft cloth or paper towel and rub onto the sides of the rack and each rack support.



⚠ CAUTION: Use caution when removing a rack from lowest position as door may be hot.

⚠ CAUTION: Never place cooking utensils, aluminum foil, pizza or baking stones, or any other items on the oven floor. There is a heating element beneath the oven floor. Placing items on the oven floor may cause the oven to overheat, resulting in damage to the oven and risk of damage or fire to cabinets.

Aluminum Foil

Do not use aluminum foil to line oven bottoms. The foil will trap heat below and upset the performance of the oven. Foil can melt and permanently damage the oven bottom. Damage from improper use of aluminum foil is not covered by the product warranty.

Foil may be used to catch spills by placing a sheet on a lower rack, several inches below the food. Do not use more foil than necessary and never entirely cover an oven rack with aluminum foil. Keep foil at least 1-1/2" from oven walls to prevent poor heat circulation.

Cooking Modes

Your new oven has a variety of cooking modes to help you get the best results. These modes are described below. Refer to the Cooking Guide section for recommendations for specific foods. Remember, your new oven may perform differently than the oven it is replacing.

Baking and Roasting Modes

Select a mode for baking and roasting based on the type and quantity of food you are preparing. When preparing baked goods such as cakes, cookies, and pastries always preheat the oven first. Follow recipe recommendations for food placement. If no guidelines are provided, center food in the oven.

Traditional Bake

The traditional bake mode is intended for single rack cooking. This mode uses heat primarily from the lower element but also from the upper element to cook food. To use this mode press the **Bake** pad under **Traditional**, enter a temperature, and then press **Start**. Preheating is generally recommended when using this mode.

Convection Bake with Direct Air

The Convection Bake mode is intended for single rack cooking. This mode uses heat from the lower element and also the upper and rear elements, along with air movement directly down from the top of the oven to enhance evenness. Your oven is equipped with Auto Recipe Conversion, so it is not necessary to convert the temperature when using this mode. To use this mode press the **Bake** pad under **Convection**, enter a temperature, and then press **Start**. Preheating is generally recommended when using this mode.

Convection Bake Multi Rack

The Convection Bake Multi Rack mode is intended for baking on multiple racks at the same time. This mode uses heat primarily from the rear element but also heat from the upper and lower elements, along with air movement from the convection fan to enhance cooking evenness. Your oven is equipped with Auto Recipe Conversion, so it is not necessary to convert the temperature when using this mode. Baking time might be slightly longer for multiple racks than what would be expected for a single rack. To use this mode press the **Bake Multi Rack** pad under **Convection**, enter a temperature, and then press **Start**. Always preheat when using this mode.

Convection Roast with Direct Air

The Convection Roast mode is intended for roasting whole cuts of meat on a single rack. This mode uses heat from the lower, upper, and rear elements along with air movement directly down from the top of the oven to improve browning and reduce cooking time. It is not necessary to convert temperature. Check food earlier than the recipe suggested time when using this mode, or use the probe. To use this mode press the **Roast** pad under **Convection**, enter a temperature, and then press **Start**. It is not necessary to preheat when using this mode.

Broiling Modes

Always broil with the door closed. The broil element in this oven is very powerful. Monitor food closely while broiling. Use caution when broiling on upper rack positions as placing food closer to the broil element increases smoking, spattering, and the possibility of fats igniting. **Broiling on rack position 6 is not recommended.**

Try broiling foods that you would normally grill. Adjust rack positions to adjust the intensity of the heat to the food. Place foods closer to the broil element when a seared surface and rare interior is desired. Thicker foods and foods that need to be cooked through should be broiled on a rack position farther from the broiler or by using Traditional Broil Lo or Convection Broil Lo.

Traditional Broil Hi

The Traditional Broil Hi mode uses intense heat from the upper element to sear foods. Use Broil Hi for thinner cuts of meat and/or foods you prefer less done on the interior. To use this mode press the **Broil** pad once under **Traditional** and then press **Start**. It is not necessary to preheat when using this mode.

Traditional Broil Lo

The Traditional Broil Lo mode uses less intense heat from the upper element to cook food thoroughly while also producing surface browning. Use Broil Lo for thicker cuts of meat and/or foods that you would like cooked all the way through. To use this mode press the **Broil** pad **twice** under **Traditional** and then press **Start**. It is not necessary to preheat when using this mode.

Convection Broil Hi with Direct Air

The Convection Broil Hi mode uses intense heat from the upper element along with air movement directly down from the top of the oven for improved searing and browning. To use this mode press the **Broil** pad once under **Convection** and then press **Start**. For best results preheat 5 minutes when using this mode.

Convection Broil Lo with Direct Air

The Convection Broil Lo mode uses less intense heat from the upper element along with air movement directly down from the top of the oven. To use this mode press the **Broil** pad **twice** under **Convection** and then press **Start**. For best results preheat 5 minutes when using this mode.

Convection Broil Crisp with Direct Air

The Convection Broil Crisp mode is intended as a finishing mode at the end of a cooking cycle to add surface browning to a dish such as a casserole or a roast. To use this mode press the **Broil** pad **three times** under **Convection** and then press **Start**. Monitor food closely to prevent over browning.

Cooking Modes (Cont.)

Proof

Proof mode is designed for rising (fermenting and proofing) bread doughs. Press the **Proof** pad and then press **Start**. Cover dough well to prevent drying out. Bread will rise more rapidly than at room temperature.

Warm

Warm mode is designed to keep hot foods hot for up to 3 hours. To use this mode, press the **Warm** pad then press **Start**. Cover foods that need to remain moist and do not cover foods that should be crisp. Preheating is not required. Do not use warm to heat cold food other than crisping crackers, chips or dry cereal. It is also recommended that food not be kept warm for more than 2 hours.

Probe

Internal food temperature is frequently used as an indicator of doneness, especially for roasts and poultry. The Probe mode monitors the internal food temperature and turns the oven off when the internal food temperature reaches the programmed temperature. Minimum temperatures for food safety can be found at www.IsItDoneYet.gov. The temperature probe can only be used with Traditional Bake, Convection Bake, and Convection Roast modes.

To use the probe with preheating:

1. Press the desired cook mode (**Traditional Bake, Convection Bake, or Convection Roast**) pad and enter the desired cooking temperature.
2. Insert the probe into the food (see Proper Probe Placement Guidelines in this section).
3. Once the oven is preheated, place the food in the oven and connect the probe to the probe outlet, making sure it is fully inserted. Use caution, the oven walls and probe outlet are hot.
4. Program the probe temperature by pressing the **Probe** pad and entering the desired food temperature. The maximum internal food temperature that you can set is 200° F.

To use the probe without preheating:

1. Insert the probe into the food (see Proper Probe Placement Guidelines in this section).
2. Place the food in the oven and connect the probe into the probe outlet in the oven.

3. Program the desired probe and cooking mode settings by pressing the **Probe** pad and entering the desired food temperature, then pressing the cook mode pad (**Traditional Bake, Convection Bake, or Convection Roast**) and entering the desired cooking temperature.

Proper Probe Placement Guidelines

After preparing the meat and placing it on the cooking pan follow these guidelines for proper probe placement.

- Insert the probe completely into the meat, up to the handle, such that the point of the probe will rest in the center of the thickest part of the meat.
- The probe should not touch bone, fat or gristle.
- For whole poultry insert the probe into the thickest part of the breast.
- For boneless roasts, insert the probe into the center of the roast.
- For bone-in ham or lamb, insert the probe into the center of the lowest large muscle or joint.
- For casseroles or dishes such as meatloaf, insert the probe into the center of the dish.
- For fish, insert the probe from just above the gill into the meatiest area, parallel to the backbone.

Check the temperature at other locations in the food with a food thermometer once the probe temperature is reached to ensure that all portions of the food have reached desired temperatures.

Probe Care Guidelines

- Use of probes other than the one provided with this product may result in damage to the probe.
- Use the handles of the probe and plug when inserting and removing them from the meat and outlet
- To avoid damaging your probe, do not use tongs to pull on the cable when removing it.
- To avoid breaking the probe, make sure food is completely defrosted before inserting the probe.
- To prevent possible burns, do not unplug the probe from the outlet until the oven has cooled.
- Never leave the probe inside the oven during a self or steam clean cycle.
- Do not store the probe in the oven.

Cookware

Cookware Guidelines

The material, finish, and size of cookware affect baking performance.

Dark, coated and dull pans absorb heat more readily than light, shiny pans. Pans that absorb heat more readily can result in a browner, crisper, and thicker crust. If using dark and coated cookware check food earlier than minimum cook time. If undesirable results are obtained with this type of cookware consider reducing oven temperature by 25° F next time.

Shiny pans can produce more evenly cooked baked goods such as cakes and cookies.

Glass and ceramic pans heat slowly but retain heat well. These types of pans work well for dishes such as pies and custards.

Air insulated pans heat slowly and can reduce bottom browning.

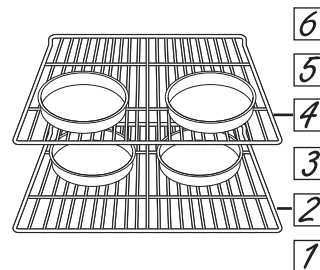
Keep cookware clean to promote even heating.

Cooking Guide

FOOD TYPE	RECOMMENDED MODE(S)	RECOMMENDED RACK POSITION(S)	ADDITIONAL SUGGESTIONS
Baked Goods			
Layer cakes, sheet cakes, bundt cakes, muffins, quick breads on a Single Rack	Convection Bake Traditional Bake	3	Use shiny cookware.
Layer cakes* on Multiple Racks	Traditional Bake	2 and 4	Extension rack in higher position if used. Ensure adequate airflow (see illustration below).
Chiffon cakes (angel food)	Convection Bake Traditional Bake	1	Use shiny cookware.
Cookies, biscuits, scones on a Single Rack	Convection Bake	3	Use shiny cookware.
Cookies, biscuits, scones on Multiple Racks	Convection Bake Multi Rack	2 and 4 2, 3 and 5	Extension rack position 4 for 2 racks, and position 3 for 3 racks. Ensure adequate airflow.
Beef & Pork			
Hamburgers	Traditional Broil Hi	5	Use extension rack; move food down for more doneness/less searing. Watch food closely when broiling.
Steaks & Chops	Convection Broil Hi Traditional Broil Hi	5	Use a broil pan; Preheat 5 minutes if using Convection Broil Mode. Move food down for more doneness/less searing. Watch food closely when broiling.
Roasts	Convection Roast	2 or 3	Use a low sided pan such as a broil pan. Preheating is not necessary. Use probe feature.
Poultry			
Whole chicken	Convection Roast	2 or 3	Use a low sided pan such as a broil pan. Use probe feature.
Bone-in chicken breasts, legs, thighs	Broil (any mode) Convection Bake Traditional Bake	3	If breaded or coated in sauce avoid Broil Hi modes. Broil skin side down first. Watch food closely when broiling.
Boneless chicken breasts	Convection Broil Lo Convection Bake Traditional Bake	3	Preheat 5 minutes if using Convection Broil. Move food down for more doneness/less searing and up for greater searing/browning when broiling.
Whole turkey	Convection Roast	1 or 2	Use a low sided pan such as a broil pan. Use the probe feature.
Turkey Breast	Convection Roast	2 or 3	Use a low sided pan such as a broil pan. Use the probe feature.
Fish	Convection Broil Lo Broil Lo	5 (1/2 inch thick or less) 4 (>1/2 inch)	Preheat 5 minutes when Convection Broiling. Watch food closely when broiling.
Casseroles	Convection Bake Traditional Bake	3	Use Convection Broil Crisp mode during last 2-5 minutes of baking to melt/brown cheese or crisp surface.
Frozen Convenience Foods			
Pizza, french fries, tator tots, chicken nuggets, appetizers on a Single Rack	Convection Bake Traditional Bake	3	Use Convection Broil Crisp mode during last 2-5 minutes of cooking to crisp the exterior.
Pizza, french fries, tator tots, chicken nuggets, appetizers on Multiple Racks	Convection Bake Multi Rack	2 and 4	If using Crisp mode, place both pans on top rack if space allows, otherwise Crisp one at a time on top rack position.

*When baking four cake layers at a time, use racks 2 and 4. Place the pans as shown so that one pan is not directly above another.

Cook food thoroughly to help protect against food borne illness. Minimum safe food temperature recommendations for food safety can be found at www.IsItDoneYet.gov. Make sure to use a food thermometer to take food temperatures.



Cleaning The Oven

Be sure electrical power is off and all surfaces are cool before cleaning any part of the oven.

Control Panel

It's a good idea to wipe the control panel after each use. Clean with mild soap and water or vinegar and water, rinse with clean water and polish dry with a soft cloth.

Do not use abrasive cleansers, strong liquid cleansers, plastic scouring pads or oven cleaners on the control panel—they will damage the finish.

Oven Exterior

Do not use oven cleaners, abrasive cleansers, strong liquid cleansers, steel wool, plastic scouring pads, or cleaning powders on the interior or exterior of the oven. Clean with a mild soap and water or vinegar and water solution. Rinse with clean water and dry with a soft cloth. When cleaning surfaces, make sure that they are at room temperature and not in direct sunlight.

If stain on the door vent trim is persistent, use a mild abrasive cleaner and a sponge-scrubber for best results.

Spillage of marinades, fruit juices, tomato sauces and basting liquids containing acids may cause discoloration and should be wiped up immediately. Let hot surfaces cool, then clean and rinse.

Stainless Steel Surfaces (on some models)

Do not use a steel wool pad; it will scratch the surface. To clean the stainless steel surface, use warm sudsy water or a stainless steel cleaner or polish. Always wipe the surface in the direction of the grain. Follow the cleaner instructions for cleaning the stainless steel surface.

To inquire about purchasing cleaning products including stainless steel appliance cleaner or polish, read the Assistance and Accessories sections at the beginning of this manual.

Oven Interior

The interior of your new oven can be cleaned manually or by using the Steam Clean or Self Clean modes.

Spillage of marinades, fruit juices, tomato sauces and basting liquids containing acids may cause discoloration and should be wiped up immediately. Let hot surfaces cool, then clean and rinse.

Manual Cleaning

Do not use oven cleaners, abrasive cleaners, strong liquid cleansers, steel wool, scouring pads, or cleaning powders on the interior of the oven. Clean with a mild soap and water or vinegar and water solution. Rinse with clean water and dry with a soft cloth. When cleaning surfaces, make sure that they are at room temperature and not in direct sunlight.

Steam Clean Mode

Steam clean is intended to clean small spills using water and a lower cleaning temperature than Self-Clean.

To use the Steam Clean feature, wipe grease and soils from the oven. Pour one cup of water into the bottom of the oven. Close the door. Press the **Steam Clean** pad and then press **Start**. The oven door will lock. You can not open the door during the 30 minute steam clean as this will decrease the steam clean performance. At the end of the steam clean cycle the door will unlock. Wipe out any excess water and any remaining soil.

Self Clean Mode

Read Self-Cleaning Oven Safety Instructions at the beginning of this manual before using Self Clean Mode. Self clean uses very high temperatures to clean the oven interior. The oven door will lock when using this feature. Before operating the self clean cycle, wipe up grease and soils from the oven. Remove all items from the oven other than enameled (dark color) racks. Shiny or silver racks, the meat probe, and any cookware or other items should all be removed from the oven before initiating a self clean cycle. Close the door. Press the **Self Clean** pad and a default self-clean time is displayed. The clean time can be changed to any time between 3:00 and 5:00 hours by using the number pads to enter a different time and pressing **Start**. If you wish to use the default time, press the **Start** pad immediately after pressing the **Self Clean** pad. The oven will turn off automatically when the self clean cycle is complete. The door will stay locked until the oven has cooled down. After the oven has cooled down wipe any ash out of the oven.

Oven Racks

The racks that were provided with your oven (dark enameled racks, not shiny) may remain in the oven during the self-cleaning cycle without being damaged.

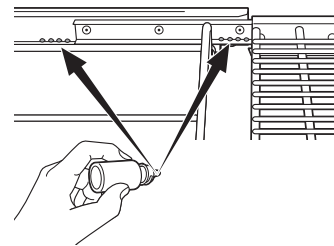
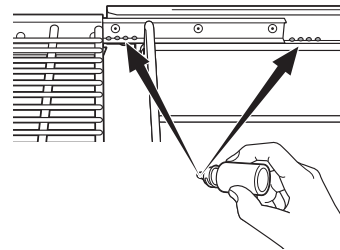
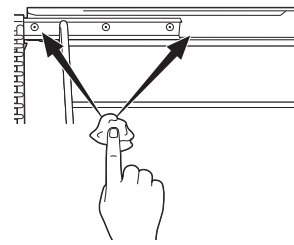
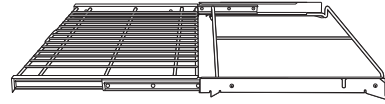
To manually clean racks, use warm, soapy water. Make sure not to wash the rack slides on an extension rack.

If racks become more difficult to remove from the oven, put some vegetable oil on a soft cloth or paper towel and rub onto the oven rack supports. Do not wipe the oil on an extension rack slide.

Periodically, after several self-clean cycles, the extension rack slides may need to be lubricated using the graphite lubricant shipped with your wall oven. To order additional graphite lubricant read the Assistance and Accessories sections at the beginning of this manual.

1. Remove extension rack from the oven. See the Extension Oven Racks section.
2. Fully extend the rack on a table or countertop. Newspaper may be placed underneath the rack for easy clean up.
3. If there is debris in the slide tracks, wipe it away using a paper towel. **NOTE:** Any graphite lubricant wiped away must be replaced.
4. Shake the graphite lubricant before opening it. Starting with left slide mechanism of the rack, place four (4) small drops of lubricant on the two (2) bottom tracks of the slide close to the bearing carriers.
5. Repeat for the right slide mechanism of the rack.
6. Open and close the rack several times to distribute the lubricant.
7. Replace the cap on the lubricant and shake it again. Turn the rack over and repeat steps 3, 4, 5 and 6.
8. Close the rack, turn rack right-side-up and place in the oven. See the Extension Oven Racks section.
9. Repeat above steps for each rack.

NOTE: Do not spray with cooking spray or other lubricant sprays.

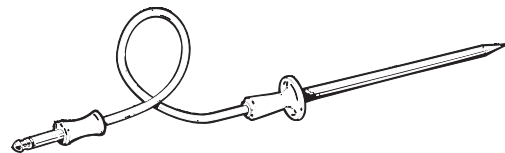


Probe

The temperature probe may be cleaned with soap and water or a soap-filled scouring pad. Cool the temperature probe before cleaning. Scour stubborn spots with a soap-filled scouring pad, rinse and dry.

To order additional temperature probes read the Assistance and Accessories sections at the beginning of this manual.

- Do not immerse the temperature probe in water.
- Do not store the temperature probe in the oven.
- Do not leave the temperature probe inside the oven during a self or steam clean cycle.



Maintenance

Oven Light Replacement

⚠ WARNING

SHOCK OR BURN HAZARD: Before replacing oven light bulb, disconnect the electrical power to the oven at the main fuse or circuit breaker panel. Failure to do so may result in electric shock or burn.

⚠ CAUTION

BURN HAZARD: The glass cover and bulb should be removed when cool. Touching hot glass with bare hands or a damp cloth can cause burns.

1. Disconnect power at the main fuse or circuit breaker panel.
2. Remove oven racks.
3. Slide a flat blade screwdriver between the housing and the glass light cover.
4. Support the glass light cover with two fingers to prevent the cover from falling to the bottom of the oven. Be careful not to chip the oven coating.
5. Gently twist the screwdriver blade to loosen the glass light cover.
6. Remove the glass light cover.
7. Remove the bulb by firmly grasping and sliding the bulb straight out until the two prongs have cleared the ceramic holder.
8. Do not touch the glass of the new replacement bulb with your fingers. It will cause the bulb to fail when it lights. Grasp the replacement bulb with a clean towel or facial tissue with the prongs facing down. Align the two prongs in the ceramic holder, pressing gently until the bulb is securely in the ceramic socket.
9. Slide the protective lens into the holder and push until the clips snap into the housing.
10. Reconnect power.

Lift-Off Oven Door

The door is very heavy. Be careful when removing and lifting the door.

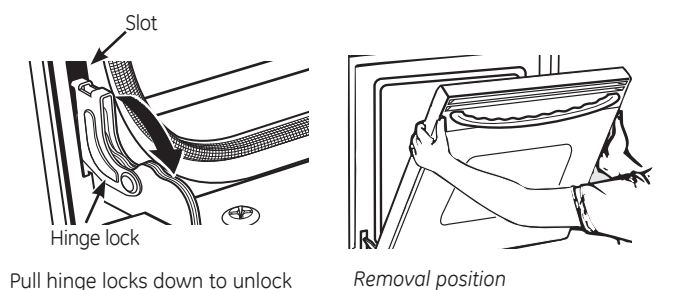
Do not lift the door by the handle.

To remove the door:

1. Fully open the door.
2. Pull the hinge locks down toward the door frame, to the unlocked position. A tool, such as a small flat-blade screwdriver, may be required.
3. Firmly grasp both sides of the door at the top.
4. Close door to the door removal position. The door should be open approximately 3" with no obstruction above the door.
5. Lift door up and out until both hinge arms are clear of the slots.

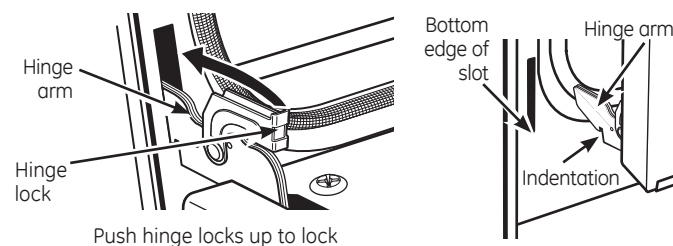
To replace the door:

1. Firmly grasp both sides of the door at the top.
2. Starting on the left side, with the door at the same angle as the removal position, seat the indentation of the hinge arm into the bottom edge of the hinge slot. The notch in the hinge arm must be fully seated into the bottom of the slot. Repeat for right side.
3. Fully open the door. If the door will not fully open, the indentation is not seated correctly in the bottom edge of the slot.
4. Push the hinge locks up against the front frame of the oven cavity, to the locked position.
5. Close the oven door.



Pull hinge locks down to unlock

Removal position



Push hinge locks up to lock

Troubleshooting tips ... Before you call for service

Save time and money! Review the charts on the following pages first and you may not need to call for service.

Problem	Possible Cause	What To Do
My new oven doesn't cook like my old one. Is something wrong with the temperature settings?	Your new oven has a different cooking system from your old oven and therefore may cook differently than your old oven.	For the first few uses, follow your recipe times and temperatures carefully. If you still think your new oven is too hot or too cold, you can adjust the temperature yourself to meet your specific cooking preference. NOTE: This adjustment affects traditional bake Traditional Bake, Convection Bake and Convection Bake Multi temperatures; it will not affect Convection Roast, Traditional Broil, Convection Broil or Clean.
Food does not bake properly	Oven controls improperly set.	See the Cooking Modes section.
	Rack position is incorrect or rack is not level.	See the Cooking Modes section and Cooking Guide.
	Incorrect cookware or cookware of improper size being used.	See the Cookware section.
	Oven temperature needs adjustment.	See the Special Features section.
	Ingredient substitution	Substituting ingredients can change the recipe outcome.
Food does not broil properly	Oven controls improperly set.	Make sure you select the appropriate broil mode. NOTE: Convection crisp is not for broiling foods.
	Improper rack position being used.	See the Cooking Guide for rack location suggestions.
	Food being cooked in a hot pan.	Make sure cookware is cool
	Cookware not suited for broiling.	Use a pan specifically designed for broiling
	Aluminum foil used on the broiling pan and grid has not been fitted properly and slit as recommended.	If using aluminum foil conform to pan slits.
	In some areas the power (voltage) may be low.	Preheat the broil element for 10 minutes.
Oven temperature too hot or too cold	Oven temperature needs adjustment.	See the Special Features section.
Oven not work or appears not to work	A fuse in your home may be blown or the circuit breaker tripped.	Replace the fuse or reset the circuit breaker.
	Oven controls improperly set.	See the Using the Oven section.
	Oven is in Sabbath Mode	Verify, that the oven is not in Sabbath Mode. See the Special Features section.
"Crackling" or "popping" sound	This is the sound of the metal heating and cooling during both the cooking and cleaning functions.	This is normal.
Why is my range making a "clicking" noise when using my oven?	Your range has been designed to maintain a tighter control over your oven's temperature. You may hear your oven's heating elements "click" on and off more frequently than in older ovens to achieve better results during baking, broiling, convection, and self-clean cycles.	This is normal.
Clock and timer do not work	A fuse in your home may be blown or the circuit breaker tripped.	Replace the fuse or reset the circuit breaker.
Oven light does not work	Light bulb is loose or defective.	Tighten or replace bulb.
	Pad operating light is broken.	Call for service.
Oven will not self-clean	The temperature is too high to set a self-clean operation.	Allow the oven to cool and reset the controls.
	Oven controls improperly set.	See the Cleaning the Oven section.

Troubleshooting tips ... Before you call for service

Problem	Possible Cause	What To Do
Excessive smoking during clean cycle	Excessive soil or grease.	Press the Cancel/Off pad. Open the windows to rid the room of smoke. Wait until the LOCKED light goes off. Wipe up the excess soil and reset the clean cycle.
Excessive smoking during broiling	Food too close to burner element.	Lower the rack position of the food.
Oven door will not open after a clean cycle	Oven too hot.	Allow the oven to cool below locking temperature.
Oven not clean after a clean cycle	Oven controls improperly set.	See the Cleaning the Oven section.
	Oven was heavily soiled.	Clean up heavy spillovers before starting the clean cycle. Heavily soiled ovens may need to self-clean again or for a longer period of time.
"LOCK DOOR" flashes in the display	The self-clean cycle has been selected but the door is not closed.	Close the oven door.
LOCKED light is on when you want to cook	The oven door is locked because the temperature inside the oven has not dropped below the locking temperature.	Press the Cancel/Off pad. Allow the oven to cool.
"F— and a number or letter" flash in the display	You have a function error code.	Press the Cancel/Off pad. Allow the oven to cool for one hour. Put the oven back into operation.
	If the function code repeats.	Disconnect all power to the oven for at least 30 seconds and then reconnect power. If the function error code repeats, call for service.
Display goes blank	A fuse in your home may be blown or the circuit breaker tripped.	Replace the fuse or reset the circuit breaker.
	The clock is turned off.	See the Special Features section.
	Oven is in Sabbath Mode.	Verify that the oven is not in Sabbath Mode. See the Special Features section.
Power outage, clock flashes	Power outage or surge	Reset the clock. If the oven was in use, you must reset it by pressing the Cancel/Off pad, setting the clock and resetting any cooking function.
"Burning" or "oily" odor emitting from the vent	This is normal in a new oven and will disappear in time.	To speed the process, set a self-clean cycle for a minimum of 3 hours. See the Cleaning the Oven section.
Strong odor	An odor from the insulation around the inside of the oven is normal for the first few times the oven is used.	This is temporary and will go away after several uses or a self-clean cycle.
Fan noise	A cooling fan may automatically turn on.	This is normal. The cooling fan will turn on to cool internal parts. It may run for up to 1-1/2 hours after the oven is turned off.
My oven door glass appears to be "tinted" or have a "rainbow" color. Is this defective?	No. The inner oven glass is coated with a heat barrier to reflect the heat back into the oven to prevent heat loss and keep the outer door cool while baking.	This is normal. Under certain light or angles, you may see this tint or rainbow color.
Sometimes the oven takes longer to preheat to the same temperature	Cookware or food in oven	The cookware or food in the oven will cause the oven to take longer to preheat. Remove items to reduce preheat time.
	Number of racks in oven	Adding more racks to the oven will cause the oven to take longer to preheat. Remove some racks.
	Different cooking modes	The different cooking modes use different preheat methods to heat the oven for the specific cooking mode. Some modes will take longer than others (i.e. convection bake multi).



Four électrique mural encastrable à convection d'air directe

Consignes de sécurité	2
Garantie	6
Assistance/Accessoires	5
Utilisation du four	
Commandes du four	6
Fonctions spéciales	7
Grilles du four	9
Modes de cuisson	11
Plats de cuisson	12
Guide de cuisson	13
Entretien et nettoyage	
Panneau de commandes	14
Extérieur du four	14
Surfaces en acier inoxydable	14
Intérieur du four	14
Grilles du four	15
Entretien	16
Conseils de dépannage	18

Manuel d'utilisation

Four mural simple de
30 po - PCT7050

*Pour la version en espagnol
de ce manuel, veuillez
consulter notre site internet
GEAppliances.com.*

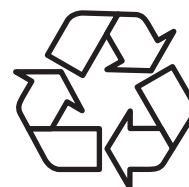
*Para consultar una version en
español de este manual de
instrucciones, visite nuestro
sitio de internet
GEAppliances.com.*

Écrivez ici les numéros de modèle et
de série :

No de modèle : _____

No de série : _____

Ces numéros sont indiqués sur la
bordure latérale ou sur le devant du
four (inférieur), derrière la porte du four.



Imprimé sur du
papier recyclé

IMPORTANTES CONSIGNES DE SÉCURITÉ

VEUILLEZ LIRE TOUTES LES INSTRUCTIONS AVANT UTILISATION DU FOUR.

⚠ AVERTISSEMENT

Veillez lire toutes les consignes avant d'utiliser ce produit. Le non-respect de ces instructions pourrait entraîner un incendie, un choc électrique, une blessure grave voire la mort.

⚠ AVERTISSEMENT CONSIGNES GÉNÉRALES DE SÉCURITÉ

- Utilisez cet appareil uniquement aux fins auxquelles il a été destiné et de la façon décrite dans le présent manuel d'utilisation.
- Assurez-vous que votre appareil est correctement installé et fixé au sol par un installateur qualifié, selon les instructions d'installation fournies.
- N'essayez pas de réparer ni de remplacer une pièce de votre four, à moins que cela ne soit spécifiquement recommandé dans ce manuel.
- Toute autre tâche d'entretien ou de réparation doit être confiée à un technicien qualifié.
- Avant de commencer toute tâche d'entretien ou de réparation, déconnectez l'appareil de son alimentation électrique au niveau du panneau de distribution de la maison en retirant le fusible ou en ouvrant le disjoncteur.
- Ne laissez pas d'enfants seuls ou sans surveillance à proximité du four lorsque celui-ci est en marche. Les enfants ne doivent pas pouvoir grimper, s'asseoir ou se tenir debout sur quelque partie de l'appareil que ce soit.
- **⚠ MISE EN GARDE** : N'entreposez pas d'objets pouvant intéresser les enfants dans les placards se trouvant au-dessus du four. Un enfant qui grimperait sur le four pourrait se blesser gravement.
- Utilisez uniquement des poignées sèches ; l'utilisation de poignées humides ou mouillées pourrait entraîner des brûlures par vapeur. Ne laissez pas les poignées entrer en contact avec les éléments chauffants.
- N'utilisez jamais votre appareil pour réchauffer ou chauffer une salle.
- Ne touchez ni les éléments chauffants, ni la surface intérieure du four. Ces surfaces pourraient être suffisamment chaudes pour vous brûler, même si elles sont de couleur sombre. Pendant et après utilisation du four, ne touchez aucune zone à l'intérieur du four et ne laissez aucun tissu ou autres matériaux inflammables entrer en contact avec l'intérieur du four ; laissez d'abord celui-ci refroidir suffisamment. D'autres surfaces de l'appareil pourraient devenir suffisamment chaudes pour provoquer des brûlures. Parmi les surfaces potentiellement chaudes, on retrouve la sortie de ventilation du four, les surfaces près cette sortie et les ouvertures autour de la porte du four.
- Ne faites pas chauffer de contenants de nourriture fermés. La pression pourrait faire exploser le contenant et ainsi causer des blessures.
- N'utilisez pas de papier d'aluminium pour recouvrir le fond du four. Le papier d'aluminium peut emprisonner la chaleur ou fondre, ce qui pourrait endommager votre appareil ou provoquer un danger de choc ou d'incendie.
- Évitez de rayer ou de donner des coups sur les portes vitrées ou les panneaux de commandes ; le verre pourrait se casser. N'utilisez pas de plat de cuisson comportant du verre brisé ; cela pourrait provoquer un choc, un incendie ou une coupure.
- Faites bien cuire la viande et la volaille à cœur ; la viande doit atteindre une température interne minimale de 71°C (160°F), la volaille, de 82°C (180°F). La cuisson à ces températures est normalement suffisante pour vous protéger des intoxications alimentaires.

CONSERVEZ CES INSTRUCTIONS

AVERTISSEMENT**GARDER LES MATÉRIAUX INFLAMMABLES À L'ÉCART DU FOUR**

Le non-respect de ces instructions pourrait entraîner un incendie ou une blessure.

- Ne rangez ni n'utilisez de matériaux inflammables à l'intérieur ou à proximité du four, y compris du papier, du plastique, des poignées, des nappes, des revêtements muraux, des rideaux, des stores ainsi que de l'essence ou d'autres vapeurs ou liquides inflammables.
- Ne portez jamais de vêtements amples lorsque vous utilisez cet appareil. Ces vêtements pourraient s'enflammer s'ils entrent en contact avec des surfaces chaudes, ce qui pourrait entraîner des brûlures graves.
- Ne laissez pas s'accumuler la graisse de cuisson ou autres matières inflammables dans le four ou à proximité de celui-ci. Cette graisse pourrait s'enflammer.

AVERTISSEMENT**EN CAS D'INCENDIE, PRENEZ LES MESURES SUIVANTES POUR PRÉVENIR LES BLESSURES ET LA PROPAGATION DU FEU**

- N'utilisez pas d'eau pour tenter d'éteindre un feu causé par de la graisse. N'empoignez jamais une poêle en feu.
- Si un feu se déclare dans le four pendant la cuisson, étouffez le feu en fermant la porte du four et en éteignant le four ou bien au moyen d'un extincteur à produits chimiques secs ou contenant de la mousse.
- Si un feu se déclare dans le four pendant l'autonettoyage, éteignez le four et attendez que le feu s'éteigne. N'essayez pas d'ouvrir la porte. Le contact d'air frais avec les températures d'autonettoyage pourrait entraîner une explosion de flammes dans le four. Le non-respect de ces instructions peut entraîner des brûlures graves.

AVERTISSEMENT**CONSIGNES DE SÉCURITÉ RELATIVES AU FOUR**

- Écartez-vous du four lorsque vous en ouvrez la porte. L'air chaud et la vapeur qui s'en échappent peuvent causer des brûlures aux mains, au visage et aux yeux.
- N'obstruez pas l'ouverture de ventilation du four.
- Éliminez toute accumulation de graisse dans le four. Cette graisse pourrait s'enflammer.
- Placez les grilles à l'endroit désiré alors que le four est froid. Si la grille doit être enlevée alors que le four est chaud, ne laissez pas les poignées entrer en contact avec l'élément chauffant dans le four.
- Lorsque vous utilisez des sacs de cuisson avec votre four, suivez les directives du fabricant.
- L'action de tirer vers vous les grilles du four normales jusqu'à leur butée ou les grilles rétractables jusqu'à leur position d'ouverture complète peut s'avérer très pratique pour soulever des plats lourds. Il s'agit également d'une précaution pour prévenir les brûlures causées par les surfaces chaudes de la porte ou les parois internes du four.
- Ne laissez pas d'objets tels que du papier, des ustensiles de cuisson ou de la nourriture dans le four lorsque celui-ci n'est pas utilisé. Les objets se trouvant dans un four peuvent s'enflammer.
- N'utilisez pas de papier d'aluminium pour recouvrir le fond du four. Ce papier peut emprisonner la chaleur ou fondre, ce qui peut occasionner des dommages au produit, un choc ou un danger d'incendie.

AVERTISSEMENT**INSTRUCTIONS POUR L'AUTONETTOYAGE DU FOUR**

La fonction d'autonettoyage fait fonctionner le four à des températures suffisamment élevées pour brûler les résidus de nourriture dans le four. Suivez ces instructions pour une utilisation en toute sécurité.

- Ne touchez pas les surfaces du four durant le fonctionnement de l'autonettoyage. Éloignez les enfants du four durant l'autonettoyage. Le non-respect de ces instructions pourrait entraîner des blessures.
- Avant de mettre en marche l'autonettoyage du four, retirez les grilles de couleur argentée (de certains modèles), la sonde, tout papier d'aluminium, la lèchefrite, la grille et tout autre plat de cuisson. Seules les grilles revêtues de céramique peuvent être laissées dans le four.
- Avant de mettre en marche l'autonettoyage, enlevez la graisse et les résidus de nourriture du four. Une trop grande quantité de graisse pourrait s'enflammer, et la fumée pourrait causer des dommages à votre résidence.
- Si le mode d'autonettoyage fonctionne mal, éteignez le four et débranchez l'alimentation. Faites appel à un technicien qualifié pour l'entretien.
- Ne nettoyez pas le joint de la porte. Celui-ci est essentiel à l'étanchéité. Faites attention à ne pas froter, endommager ni déplacer le joint.
- N'utilisez pas de produits nettoyants à four. Aucun produit nettoyant à four professionnel ni de revêtement protecteur de four ne doivent être utilisés à l'intérieur du four ou sur tout autre partie de celui-ci.

CONSERVEZ CES INSTRUCTIONS

Merci ... d'avoir acheté un appareil GE !

Enregistrez votre appareil : Enregistrez votre nouvel appareil en ligne à tout moment.

www.geappliances.com/service_and_support/register/

Si vous enregistrez votre produit sans délai, la communication sera meilleure et le service plus rapide en vertu des conditions de votre garantie, si son utilisation s'avère nécessaire. Vous pouvez également envoyer par la poste la carte d'enregistrement pré-imprimée incluse dans les matériaux d'emballage.

Garantie de cuisinière électrique encastrable

GEAppliances.com

Tout entretien ou réparation en vertu de la garantie est fourni par nos Centres d'entretien et de réparation de l'usine ou par un technicien autorisé de Customer Care®. Pour fixer un rendez-vous en ligne, consultez notre site www.GEAppliances.ca ou téléphonez au 1.800.561.3344. Veuillez avoir vos numéros de série et de modèle à portée de main lors de l'appel.

L'entretien de votre appareil pourrait nécessiter l'utilisation d'un accès aux données embarquées pour le diagnostic. Cet accès donne au technicien la capacité de diagnostiquer rapidement tout problème avec votre appareil et d'aider Mabe à améliorer ses produits en fournissant à cette dernière des renseignements sur votre appareil. Si vous ne souhaitez pas que les données de votre appareil soient envoyées à Mabe, veuillez en aviser votre technicien au moment de l'entretien.

La garantie limitée sera valide pour la période d'un an suivant la date de l'achat original. En cas de défaillance de la cuisinière due à un défaut des matériaux ou de la main d'œuvre, Mabe fournira, sans frais, toute la main d'œuvre nécessaire à domicile pour remplacer la pièce défectueuse.

Ce que Mabe ne couvre pas :

- L'envoi d'un technicien chez vous pour vous montrer comment utiliser le produit.
- Une installation, une livraison ou un entretien inadéquats.
- Une panne du produit suite à une utilisation abusive ou inadéquate, une modification, un usage autre que celui auquel il a été destiné ou un usage commercial.
- Le remplacement des fusibles de votre résidence ou le réenclenchement des disjoncteurs.
- Les dommages au produit causés par un accident, un incendie, une inondation ou une catastrophe naturelle.
- Les dommages indirects ou accidentels causés par des défaillances possibles de cet appareil.
- Les dommages occasionnés après la livraison.
- Le service d'il est impossible d'avoir accès au produit.

EXCLUSION DES GARANTIES IMPLICITES

Votre seul et unique recours est la réparation du produit selon les dispositions de la présente garantie limitée. Toutes garanties implicites, y compris les garanties implicites de qualité marchande et d'adéquation à un usage spécifique, sont limitées à un an ou à la plus courte période permise par la loi.

Cette garantie s'étend à l'acheteur original et à tout propriétaire ultérieur pour les produits achetés au Canada destinés à un usage en résidence se trouvant au Canada. L'entretien à domicile prévu par la garantie sera proposé dans les lieux où il est disponible et où Mabe juge raisonnable de le fournir.

Certaines provinces ne permettent pas l'exclusion ni la limitation des dommages indirects. La présente garantie vous accorde des droits juridiques spécifiques, et vous disposez également de droits supplémentaires qui varient d'une province à l'autre. Pour connaître vos droits selon votre province, consultez votre bureau local d'information au consommateur.

Garant : Mabe Canada Inc., Burlington, Ontario

Agrafez ici votre reçu. Une preuve de l'achat original est requise pour l'accès à l'entretien et aux réparations en vertu de la garantie.

Vous avez une question ou vous avez besoin d'assistance avec votre appareil ?

Consultez le site internet des appareils GE (www.geappliances.com/service_and_support/) 24 heures sur 24, 7 jours sur 7. Pour une plus grande commodité et pour un service plus rapide, vous pouvez maintenant télécharger les manuels d'utilisation, commander certaines pièces et même fixer un rendez-vous pour l'entretien en ligne.

Rendez-vous pour l'entretien : Le service de réparation par un expert de GE ne se trouve qu'à un pas de votre porte. Connectez-vous à Internet et fixez votre rendez-vous sur www.GEAppliances.ca ou appelez le 1.800.561.3344 pendant les heures de bureau.

Pièces et accessoires : Les personnes qualifiées pour entretenir leur propre appareil peuvent recevoir des pièces ou des accessoires directement chez eux (les cartes Visa, MasterCard et Discover sont acceptées). Commandez en ligne dès aujourd'hui, 24 heures sur 24, ou appelez au 1.800.661.1616 pendant les heures de bureau.

Les instructions qui se trouvent dans le présent manuel couvrent les procédures devant être effectuées par n'importe quel utilisateur. L'entretien et les réparations qui ne se trouvent pas ici doivent généralement être confiés à du personnel qualifié. Il est nécessaire de faire preuve de prudence, car un entretien inapproprié pourrait entraîner une utilisation non-sécuritaire de l'appareil.

Contactez-nous : Si vous n'êtes pas satisfait du service que vous recevez de GE, contactez-nous au moyen de notre site internet en nous fournissant tous les détails nécessaires, y compris votre numéro de téléphone, ou écrivez à :

Mabe Canada Inc.
1, Factory Lane
Moncton, Nouveau-Brunswick, E1C 9M3

Accessoires

À la recherche d'un accessoire?

GE propose une variété d'accessoires pour améliorer vos expériences de cuisine et entretien!

Pour passer commande, consultez notre site internet à l'adresse suivante :

www.GEAppliances.ca

800.661.1616

Les produits suivants sont notamment disponibles :

Accessoires

Petite lèchefrite (8 3/4 po x 1 1/4 po x 13 1/2 po)	222D2097G001 (Canada)
Petite lèchefrite (12 3/4 po x 1 1/4 po x 16 1/2 po)	222D2097G002 (Canada)

Pièces

Grilles de four	Les numéros de pièces varient selon le modèle.
Éléments du four	Les numéros de pièces varient selon le modèle.
Ampoules	Les numéros de pièces varient selon le modèle.
Sonde	Les numéros de pièces varient selon le modèle.

Matériel de nettoyage

Lingettes pour acier inoxydable CitruShine	WX10X10007
Produit nettoyant pour appareil en acier inoxydable CeramaBryte	PM10X311
Lubrifiant au graphite	WB02T10303

*La grande lèchefrite est trop grande pour les cuisinières de 20po/24po.

**Le lèchefrite XL est trop grande pour les fours muraux de 24 po, les cuisinières de style « drop-in » de 27 po et les cuisinières de 20po/24po.

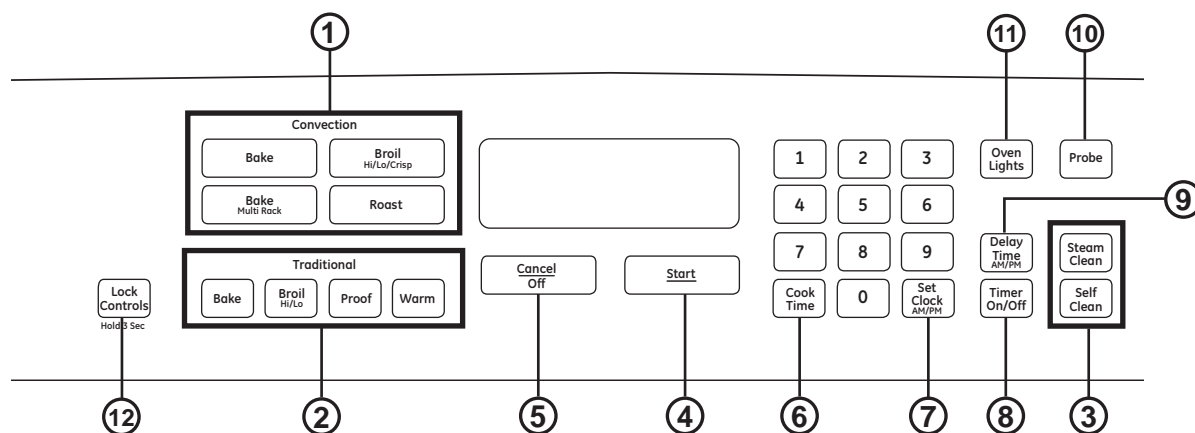
Comment retirer le film protecteur d'expédition et le ruban adhésif d'emballage

Saisissez délicatement un coin du film protecteur d'expédition avec vos doigts et le décollez lentement de la surface de l'appareil. N'utilisez pas d'objets pointus pour retirer le film. Retirez complètement le film avant d'utiliser l'appareil pour la première fois.

Pour assurer ne pas endommager la finition du produit, la façon la plus sûre pour enlever le ruban adhésif de l'emballage sur les nouveaux appareils consiste à appliquer un détergent à vaisselle liquide à l'aide d'un chiffon doux et à laisser tremper.

REMARQUE : Le ruban adhésif doit être retiré de toutes les pièces. Il ne pourra pas être retiré après cuisson.

Four mural simple



1. **Convection Cooking Modes (Modes de cuisson par convection) :** Les modes de cuisson par convection fonctionnent avec une plus grande circulation d'air et fournissent un rendement amélioré. Le type de bénéfice dépend du mode. Votre four offre les modes de cuisson par convection suivants : Cuisson, Cuisson multi, Rôtissage, Gril (Fort), Gril (Faible), Gril (Croustillant). Voir la section des modes de cuisson pour de plus amples informations.
2. **Traditional Cooking Modes (Modes de cuisson traditionnels) :** Votre four offre les modes de cuisson traditionnels suivants : Cuisson, Gril (Fort), Gril (Faible), Levée et Maintien au chaud. Voir la section des modes de cuisson pour de plus amples informations.
3. **Clean (Nettoyage) :** Votre four a deux modes de nettoyage : autonettoyage et nettoyage à la vapeur. Voir la section Nettoyage du four pour des informations importantes sur l'utilisation de ces modes.
4. **Start (Mise en marche) :** Vous devez appuyer sur ce bouton pour démarrer toute fonction de cuisson, de nettoyage ou de minuterie.
5. **Cancel/Off (Annuler/Off) :** Annule TOUTES les opérations en cours sauf l'horloge et la minuterie.
6. **Cook Time (Temps de cuisson) :** Fait le décompte du temps de cuisson restant et éteint le four lorsque le temps de cuisson est terminé. Appuyez sur le bouton **Cook Time (Temps de cuisson)**, utilisez le pavé numérique pour programmer un temps de cuisson en heures et en minutes, puis appuyez sur **Start (Mise en marche)**. Vous ne pouvez utiliser cette fonction qu'avec les fonctions de Cuisson Traditionnelle, Cuisson par convection, Cuisson par convection multi et Rôtissage par convection.
7. **Clock (Horloge) :** Règle l'heure du four. Appuyez sur le bouton **Clock (Horloge)**, puis sur le pavé numérique pour programmer l'horloge. Assurez-vous de choisir entre **AM** et **PM**. Appuyez sur **Start (Mise en marche)** pour enregistrer l'heure.
8. **Timer (Minuterie) :** Fonctionne comme un compte à rebours. Appuyez sur le bouton **Timer (Minuterie)**, puis sur le pavé numérique pour programmer la durée en heures et en minutes. Appuyez sur le bouton **Start (Mise en marche)**. Le four continuera à fonctionner jusqu'à la fin du compte à rebours. Pour éteindre la minuterie, appuyez sur le bouton **Timer (Minuterie)**.
9. **Delay Time (Mise en marche différée) :** Retarde la mise en marche du four. Utilisez cette fonction pour régler l'heure à laquelle vous désirez que le four se mette en marche. Appuyez sur le bouton **Delay Time (Mise en marche différée)** et utilisez le pavé numérique pour programmer l'heure à laquelle vous désirez que le four se mette en marche. Programmez la température et le mode de cuisson désirés, puis appuyez sur **Start (Mise en marche)**. Une durée de cuisson peut également être programmée. Cette fonction ne peut être utilisée qu'avec les fonctions de Cuisson Traditionnelle, Cuisson par convection, Cuisson par convection multi, Rôtissage par convection et Autonettoyage.
REMARQUE : Lorsque vous utilisez la fonction de mise en marche différée, les plats qui se gâtent rapidement tels que le lait, les œufs, le poisson, les farces, la volaille et le porc ne doivent pas être laissés à reposer pendant plus d'une heure avant ou après la cuisson. La température de la pièce favorise le développement de bactéries nocives. Assurez-vous d'éteindre la lumière, car la lumière de l'ampoule accélérera également le développement de bactéries nocives.
10. **Probe (Sonde) :** Contrôle la température interne de l'aliment et éteint le four lorsque l'aliment atteint la température souhaitée. Insérez la sonde, programmez le mode de cuisson, puis programmez la température de la sonde. Reportez-vous à la section des Modes de cuisson pour de plus amples informations. La sonde ne peut être utilisée qu'avec les modes Cuisson Traditionnelle, Cuisson par convection et Rôtissage par convection.
11. **Oven Lights(s) (Lumière(s) du four) :** Allume ou éteint les lumières.
12. **Lock Controls (Verrouillage des commandes) :** Verrouille les commandes de manière à ce que lorsqu'on appuie sur les boutons, ceux-ci n'activent pas les commandes. Appuyez sur le bouton **Lock Controls (Verrouillage des commandes)** pendant trois secondes pour verrouiller ou déverrouiller les commandes. **Cancel/Off (Annuler / Off)** est toujours actif, même lorsque les commandes sont verrouillées.

Fonctions spéciales

Il existe plusieurs fonctions spéciales qui sont commandées par le pavé numérique.

- Degrés – Affichage de la température en Fahrenheit ou en Celsius
- Avertisseur sonore de fin – Avertisseur sonore de fin du cycle
- Volume – Réglage du volume
- Réglage – Réglage de l'horloge
- Recette automatique – Conversion automatique des recettes (pour la cuisson par convection)
- Arrêt de 12 h – Arrêt de 12 heures
- Sabbat – Mode Sabbat
- Écart de temp – Ajustement de la température du four
- Défaut – Retour des commandes aux réglages de l'usine

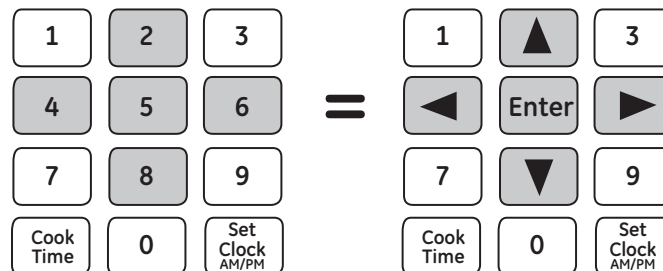
Pour modifier les réglages des fonctions spéciales, suivez les consignes suivantes.

Appuyez simultanément sur les boutons **Traditional Bake (Cuisson Traditionnelle)** et sur **Traditional Broil (Gril Traditionnel)** pendant 3 secondes.

Lorsque vous entrez dans le mode des fonctions spéciales, suivez les instructions suivantes :

- Les numéros **2** et **8** servent à faire défiler vers le haut ou vers le bas les fonctions et leurs réglages.
- Les numéros **4** et **6** servent de déplacement vers la droite et vers la gauche pour changer les réglages des fonctions.
- Le numéro **5** est utilisé comme touche d'enregistrement.

Appuyez simultanément sur **Traditional Bake (Cuisson Traditionnelle)** et sur **Traditional Broil (Gril Traditionnel)** pendant 3 secondes pour sortir du mode Fonctions spéciales.



Exemple : Réglage de la température du four

1. Appuyez simultanément sur **Traditional Bake (Cuisson Traditionnelle)** et sur **Traditional Broil (Gril Traditionnel)** pendant 3 secondes pour entrer en mode Fonctions spéciales.
2. Appuyez sur le bouton **2** jusqu'à ce que l'affichage indique Écart de temp .
3. Appuyez sur le bouton **6** pour changer le réglage de la fonction spéciale.
4. Appuyez sur le bouton **2** ou **8** pour augmenter la température d'un degré Fahrenheit à la fois jusqu'à 20 °C (35 °F) ou pour la diminuer du même nombre de degrés.
5. Appuyez sur le bouton **5** pour enregistrer le changement désiré.
6. Appuyez sur le bouton **4** pour retourner aux autres caractéristiques.
7. Appuyez simultanément sur **Traditional Bake (Cuisson Traditionnelle)** et sur **Traditional Broil (Gril Traditionnel)** pendant 3 secondes pour sortir du mode Fonctions spéciales.

Affichage de la température en degrés Fahrenheit ou Celsius

Les commandes de votre four sont réglées pour utiliser les unités de température en Fahrenheit mais peuvent être modifiées pour les unités de température en Celsius si désiré.

Avertisseur sonore de fin de cycle (End tOnE)

Il s'agit de l'avertisseur sonore qui signale la fin d'une minuterie. Vous pouvez choisir entre un seul son (bEEP) ou un son répété continuellement (Con bEEP).

Réglage du volume (SoUnd)

Cette fonction permet de régler le volume de l'avertisseur sonore du four à fort, moyen (par défaut), bas et silencieux.

Réglage de l'horloge (SEtting)

Cette fonction précise l'affichage de l'heure. Trois options sont présentées : un affichage sur 12 heures avec AM et PM, un affichage sur 24 heures ou aucun affichage.

Conversion automatique des recettes (AUto rECiPE)

Lorsque vous utilisez les modes Cuisson par convection et Cuisson par convection multi, la conversion automatique des recettes réduira automatiquement la température de cuisson programmée. Veuillez remarquer que cette option ne convertit pas les temps de cuisson par convection, mais bien seulement les températures.

Arrêt de 12 heures (12 Hr SHUtoFF)

Lorsque cette fonction est activée, le four s'éteindra automatiquement après 12 heures de fonctionnement continu.

Défaut (dEFAuLt)

Cette fonction constitue un retour de toutes les fonctions spéciales aux réglages originalement donnés au four par défaut.

Fonctions spéciales (suite)

Ajuster la température du four (tE-P oFFSEt)

Cette fonction permet à la température du four d'être augmentée de 20 °C (35 °F) au maximum ou diminuée du même nombre de degrés. Utilisez cette fonction si vous pensez que la température de votre four est trop élevée ou trop basse et si vous désirez la changer. Cet ajustement s'applique aux modes Cuisson Traditionnelle, Cuisson par convection et Cuisson par convection multi.

Sabbat

Le mode Sabbat désactive les lumières du four (la lumière du four ne s'allumera pas à l'ouverture de la porte, et la lumière d'avertissement sera désactivée), tous les sons (les commandes n'émettront pas de bip à chaque pression sur un bouton) ainsi que les modes Convection, les modes Gril, et les fonctions Maintien au chaud, Levée, Temps de cuisson, Minuterie, Horloge et Mise en marche différée. Le mode Sabbat ne peut être utilisé qu'avec le mode Cuisson. Cette fonction répond aux exigences du Sabbat juif Star-K.

Appuyez simultanément sur **Traditional Bake (Cuisson Traditionnelle)** et sur **Traditional Broil (Gril Traditionnel)** pendant 3 secondes pour entrer en mode Fonctions spéciales. Utilisez les boutons **2** et **8** pour faire défiler vers le haut et vers le bas les option de fonctions spéciales jusqu'à « SAbbAtH », puis appuyez sur le bouton **6** pour permettre aux numéros **2** et **8** de faire passer la fonction Sabbat de « désactivée » à « activée ».

Appuyez sur le bouton **5** pour saisir votre sélection. Appuyez sur **Traditional Bake (Cuisson Traditionnelle)** et sur **Traditional Broil (Gril Traditionnel)** pendant 3 secondes pour sortir du mode des fonctions spéciales. Un **]** s'affichera, et l'horloge ne s'affichera pas.

Une fois que vous serez en mode Sabbat, à tout moment, vous pouvez appuyer sur **Bake (Cuisson)**, la commande s'activera à 350 °F, mais vous pouvez utiliser le pavé numérique pour saisir une température entre 170 °F et 550 °F si nécessaire, puis appuyez sur **Start (Mise en marche)**. Aucun son ne sera émis lorsque vous appuierez sur les boutons. À tout moment entre 30 secondes et 1 minute après, le symbole **]** apparaîtra, indiquant que le four est en marche.

Si vous devez ajuster la température, appuyez sur **Bake (Cuisson)**, puis utilisez le pavé numérique pour saisir une température se trouvant entre 77 °C (170 °F) et 288 °C (550 °F), puis appuyez sur **Start (Mise en marche)**.

Pour éteindre le four, appuyez sur **Cancel/Off (Annuler / Off)** à n'importe quel moment. Le four s'éteindra immédiatement et le symbole **]** sera remplacé par **]**, indiquant ainsi que le four est éteint.

Pour sortir du mode Sabbat, commencez par éteindre le four. Ensuite, appuyez simultanément sur **Traditional Bake (Cuisson Traditionnelle)** et sur **Traditional Broil (Gril Traditionnel)** pendant 3 secondes pour entrer en mode Fonctions spéciales. Vous ne pourrez pas entrer dans ce mode si le four n'est pas éteint.

Utilisez les boutons **2** et **8** pour faire défiler les options de fonctions spéciales jusqu'à « SAbbAtH », puis appuyez sur **6** pour permettre aux **2** et **8** de faire passer la fonction Sabbat de « activée » à « désactivée ».

Appuyez sur **5** pour saisir la sélection. Puis, appuyez simultanément sur **Traditional Bake (Cuisson Traditionnelle)** et sur **Traditional Broil (Gril Traditionnel)** pendant 3 secondes pour sortir du mode Fonctions spéciales.

REMARQUE : Si une panne de courant survient pendant que le four est en mode Sabbat, l'appareil demeurera en mode Sabbat, mais éteint, lorsque le courant reviendra.

Si vous désirez utiliser la fonction Temps de cuisson pour que le four s'éteigne automatiquement après la cuisson, n'entrez pas en mode Sabbat.

Vous devrez changer l'avertisseur sonore de fin de cycle d'un bip continu à un seul bip, éteindre le volume de l'avertisseur sonore, puis allumez la lumière du four en utilisant le panneau de commandes ou bien enlever l'ampoule, puis vous pourrez programmer le four pour le temps de cuisson désiré en mode Cuisson.

Grilles du four

Votre four est équipé de six positions de grille. Les positions recommandées pour les différents types d'aliments sont fournies dans le Guide de cuisson. En réglant la position des grilles, vous modifierez les résultats de la cuisson. Par exemple, si vous préférez que le dessus de vos gâteaux, muffins ou biscuits soit plus doré, mettez le plat sur une position plus haute. Si vous trouvez que vos plats sont trop cuits sur le dessus, mettez le plat sur une position plus basse.

Lorsque vous cuisinez avec plusieurs plats et sur plusieurs grilles, assurez vous de laisser un espace d'au moins 3,8 cm (1 ½ po) entre les plats pour permettre à l'air de circuler adéquatement.

Grilles de four

Votre four peut être équipé de grilles rétractables et de grilles simples.

Pour éviter les brûlures, placez les grilles dans la position désirée avant d'allumer le four.

Grilles rétractables

Les grilles rétractables sont dotées d'un cadre qui se verrouille dans les supports de grille, des deux côtés. Une fois que le cadre est bien verrouillé, tirez toujours la grille vers vous, par le rail supérieur avant, jusqu'à sa position en butée entièrement dépliée pour enfourner ou retirer un plat du four.

Si les grilles rétractables sont difficiles à tirer, lubrifiez-les avec le lubrifiant au graphite fourni avec votre four. Retirez la grille du four, nettoyez tout résidu sur les glissières avec un essuie-tout, mélangez bien le lubrifiant, puis placez 4 petites gouttes sur les deux glissières du bas, du côté droit et gauche. Ouvrez et fermez la grille plusieurs fois pour distribuer le lubrifiant uniformément.

Pour commander davantage de lubrifiant au graphite, reportez-vous à la section Assistance et accessoires de ce manuel.

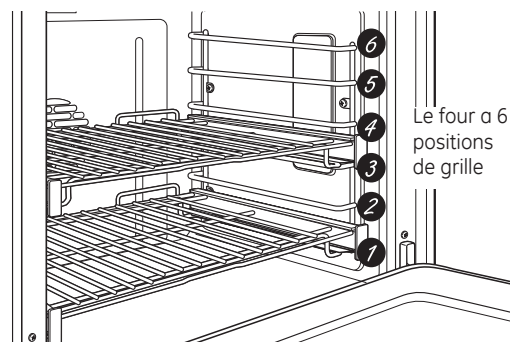
Pour retirer une grille rétractable :

1. Assurez-vous que la grille est poussée jusqu'au fond du four.
2. Prenez la grille par ses deux rails (supérieure avant et inférieure avant), puis soulevez directement vers le haut pour déverrouiller les verrous avant de la grille des supports.
3. En empoignant fermement les rails supérieur et inférieur avant, tirez la grille vers vous et retirez-la du four.

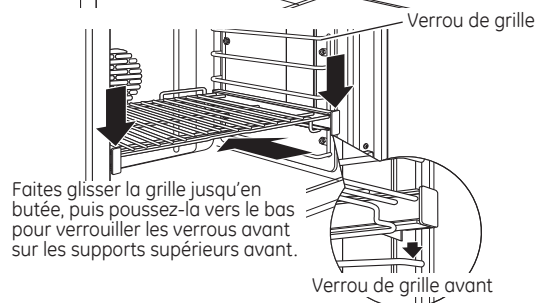
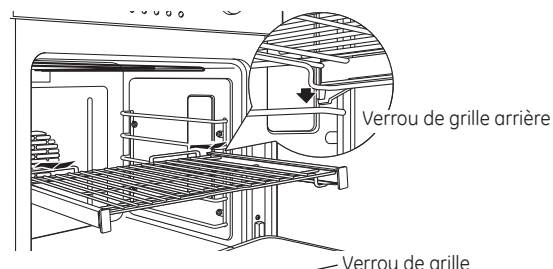
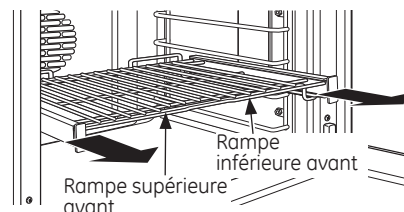
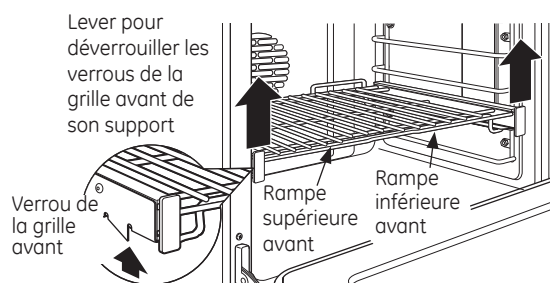
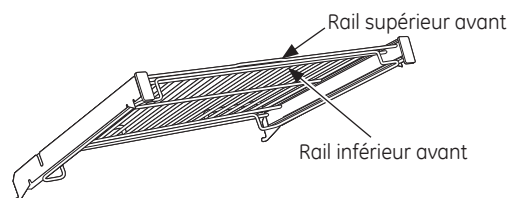
Pour replacer une grille rétractable :

1. Faites glisser les verrous de grille arrière sur les supports de grille.
2. Faites glisser la grille jusqu'à sa butée lorsque les verrous de grille arrière soient sécurisés sur les supports de grille arrière, puis appuyez les verrous de grille avant sur les supports de grille avant.

Si les grilles rétractables sont difficiles à replacer ou à enlever, appliquez de l'huile de cuisson sur les supports de grille à l'aide d'un chiffon. N'appliquez pas d'huile sur les glissières.



Le four a 6 positions de grille



Grilles de four (suite)

Grilles simples

Les grilles sont équipées de butée; lorsqu'elles sont correctement placées sur les supports, elles s'arrêteront avant de sortir complètement et ne s'inclineront pas. Lorsque vous placez ou retirez un plat, tirez la grille vers vous jusqu'à sa butée.

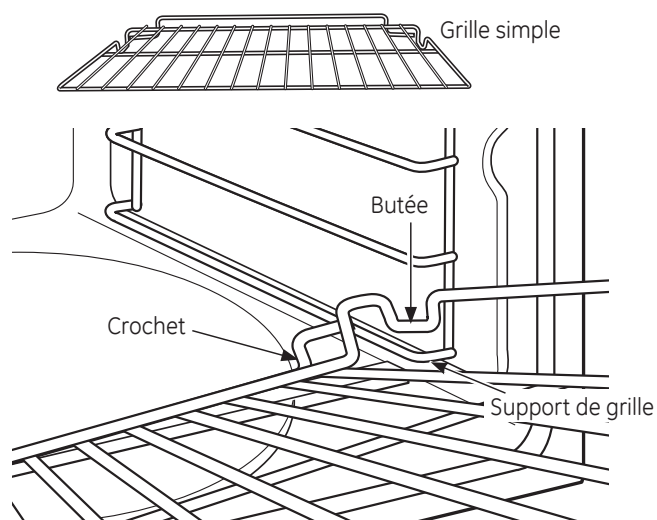
Pour enlever une grille

Tirez-la vers vous, inclinez l'extrémité avant vers le haut et retirez-la.

Pour replacer une grille

Soulevez l'avant de la grille, accrochez les crochets de fixation arrières sous les supports de grille, repoussez la grille (plus loin que les butées) et abaissez-la jusqu'à ce qu'elle soit en position. Poussez la grille vers l'intérieur jusqu'au bout.

Si les grilles planes sont difficiles à faire glisser ou à enlever, appliquez de l'huile de cuisson sur un linge doux ou sur un essuie-tout puis essuyez les côtés de la grille et sur chacun des supports de grille.



⚠ MISE EN GARDE : Faites attention en retirant une grille en position la plus basse ; la porte pourrait être chaude.

⚠ MISE EN GARDE : Ne posez jamais d'ustensiles de cuisson, de papier d'aluminium, de pierre pour pizza ou de cuisson ou tout autre objet sur le bas du four. Un élément chauffant se trouve en-dessous de celui-ci. En cas de non-respect de cette consigne, le four pourrait surchauffer, entraînant des dommages et un risque de dommages ou d'incendie dans les placards alentours.

Papier d'aluminium

N'utilisez pas de papier d'aluminium pour recouvrir le fond du four. Le papier emprisonnera la chaleur et compromettra les performances du four. Il pourrait fondre et endommager le fond du four de façon permanente. Les dommages causés par un mauvais usage du papier d'aluminium ne sont pas couverts par la garantie du produit.

Le papier d'aluminium peut être utilisé pour recevoir les débordements en étant placé sur une grille plus basse, à une bonne distance de l'aliment. N'utilisez pas plus de papier que nécessaire, et ne recouvrez jamais une grille entière avec le papier. Gardez-le à au moins 3,8 cm (1 ½ po) de distance des parois du four pour prévenir une mauvaise circulation de la chaleur.

Modes de cuisson

Votre nouveau four offre toute une variété de modes de cuisson pour vous aider à obtenir les meilleurs résultats possibles. Ces modes sont décrits ci-dessous. Reportez-vous à la section du guide de cuisson pour des recommandations selon les types d'aliments. Rappelez-vous que votre nouveau four pourrait donner des résultats différents de ceux du four qu'il remplace.

Modes Cuisson et Rôtissage

Sélectionnez un mode pour cuire et pour rôtir selon le type et la quantité de nourriture que vous préparez. Lors de la préparation de gâteaux, biscuits et pâtisseries, préchauffez toujours le four. Suivez les recommandations de la recette pour le positionnement du plat de cuisson. Si aucune instruction n'est donnée, placez le plat au centre du four.

Cuisson Traditionnelle

Le mode de cuisson Cuisson Traditionnelle est conçu pour la cuisson sur une grille seulement. Pour faire cuire le plat, ce mode fait fonctionner surtout l'élément du bas, mais aussi celui du haut. Pour entrer dans ce mode, appuyez sur le bouton **Bake (Cuisson)** qui se trouve sous **Traditional (Traditionnel)**, saisissez une température, puis appuyez sur **Start (Mise en marche)**. Il est généralement recommandé de préchauffer le four lors de l'utilisation de ce mode.

Cuisson par convection d'air directe

Le mode de cuisson Cuisson par convection est conçu pour la cuisson sur une grille seulement. Ce mode fait fonctionner l'élément du bas, celui du haut et aussi celui de l'arrière, ainsi que le mouvement d'air directement vers le bas à partir du haut du four pour uniformiser la distribution de la chaleur. Votre four est doté de la Conversion automatique des recettes; il n'est donc pas nécessaire de convertir la température lorsque vous utilisez ce mode. Pour utiliser ce mode, appuyez sur le bouton **Bake (Cuisson)** sous **Convection**, saisissez une température, puis appuyez sur **Start (Mise en marche)**. Il est généralement recommandé de préchauffer le four lors de l'utilisation de ce mode.

Cuisson par convection multi

Le mode Cuisson par convection multi est conçu pour faire cuire des plats se trouvant sur différentes grilles en même temps. Ce mode utilise d'abord la chaleur provenant de l'élément arrière, mais aussi celle des éléments du haut et du bas, ainsi que le mouvement d'air du ventilateur de convection pour améliorer l'uniformité de la cuisson. Votre four est équipé de la Conversion automatique des recettes ; vous n'avez donc pas à convertir la température lorsque vous utilisez ce mode. Si vous avez des plats sur plusieurs grilles, le temps de cuisson pourrait être légèrement plus long que lorsque vous n'utilisez qu'une grille. Pour entrer dans ce mode, appuyez sur le bouton **Bake Multi Rack (Cuisson Multi)** sous **Convection**, saisissez une température, puis appuyez sur **Start (Mise en marche)**. Préchauffez toujours le four lors de l'utilisation de ce mode.

Rôtissage par convection avec air direct

Le mode Rôtissage par convection est conçu pour rôtir des morceaux de viande entier sur une seule grille. Ce mode utilise la chaleur provenant des éléments du bas, du haut et de l'arrière, ainsi que le mouvement d'air directement vers le bas provenant du haut du four, pour améliorer le brunissement et réduire le temps de cuisson. Il n'est pas nécessaire de convertir la température. Fiez-vous davantage à l'aspect du plat qu'à la recette lorsque vous utilisez ce mode ; sinon, utilisez la sonde. Pour entrer dans ce mode, appuyez sur le bouton **Roast (Rôtissage)** qui se trouve sous **Convection**, saisissez une température, puis appuyez sur **Start (Mise en marche)**. Il n'est pas nécessaire de préchauffer le four lors de l'utilisation de ce mode.

Modes Gril

Gardez toujours la porte du four fermée lorsque vous êtes en mode Gril. L'élément servant à griller est très puissant. Surveillez attentivement le plat que vous faites griller. Soyez prudent lorsque vous utilisez les grilles du haut ; la proximité de l'élément augmente la fumée, les éclaboussements et la possibilité que le gras s'enflamme. **Faire griller un plat sur la position 6 n'est pas recommandé.**

Faites griller des plats qui sont conçus pour être grillés. Ajustez la position de la grille pour ajuster l'intensité de la chaleur qui arrive au plat. Placez les plats plus près de l'élément lorsque vous souhaitez un aliment saisi et un intérieur peu cuit. Les aliments plus épais et les aliments à consommer bien cuits doivent être grillés sur une grille plus éloignée de l'élément, ou bien en mode Gril Traditionnel (Faible) ou Gril par convection (Faible).

Gril Traditionnel (Fort)

Le mode Gril Traditionnel (Fort) utilise la chaleur intense de l'élément du haut pour faire saisir les plats. Utilisez le Gril (Fort) pour les morceaux de viande plus minces ou pour les plats que vous préférez moins cuits. Pour utiliser ce mode, appuyez sur **Broil (Gril)** sous **Traditional (Traditionnel)**, puis appuyez sur **Start (Mise en marche)**. Il n'est pas nécessaire de préchauffer lors de l'utilisation de ce mode.

Gril Traditionnel (Faible)

Le mode Gril Traditionnel (Faible) utilise une chaleur moins intense de l'élément du haut pour cuire les plats en profondeur tout en produisant un brunissement de surface. Utilisez Gril (Faible) pour les coupes de viande plus épaisses ou pour les plats que vous voulez faire cuire en profondeur. Pour utiliser ce mode, appuyez sur **Broil (Gril)** sous **Traditionnel deux fois**, puis appuyez sur **Start (Mise en marche)**. Il n'est pas nécessaire de préchauffer lorsque vous utilisez ce mode.

Gril par convection d'air directe (Fort)

Le mode Gril par convection (Fort) utilise la chaleur intense de l'élément du haut avec le mouvement de l'air directement vers le bas à partir du haut du four, pour une meilleure saisie et un meilleur brunissement. Pour utiliser ce mode, appuyez sur **Broil (Gril)** une fois sous **Convection**, puis appuyez sur **Start (Mise en marche)**. Pour de meilleurs résultats, préchauffez le four pendant 5 minutes lorsque vous utilisez ce mode.

Gril par convection d'air directe (Faible)

Le mode Gril par convection (Faible) utilise une chaleur moins intense de l'élément du haut ainsi que le mouvement de l'air directement vers le bas à partir du haut du four. Pour utiliser ce mode, appuyez sur **Broil (Gril) deux fois** sous **Convection**, puis appuyez sur **Start (Mise en marche)**. Pour de meilleurs résultats, préchauffez pendant 5 minutes.

Gril par convection avec air direct (Croustillant)

Le mode Gril par convection (Croustillant) se veut un mode de finition à utiliser lors de la fin d'un cycle de cuisson pour ajouter un brunissement de surface à un plat tel qu'un ragoût ou un rôti. Pour utiliser ce mode, appuyez sur **Broil (Gril)** sous **Convection trois fois**, puis appuyez sur **Start (Mise en marche)**. Surveillez le plat de près pour prévenir un brunissement excessif.

Modes de cuisson (suite)

Levée

Le mode Levée est conçu pour faire lever (fermentation et levée) des pâtes à pain. Appuyez sur le bouton **Proof (Levée)**, puis appuyez sur **Start (Mise en marche)**. Couvrez bien la pâte pour l'empêcher de sécher. Le pain lèvera plus rapidement qu'à la température ambiante.

Maintien au chaud

Le mode Maintien au chaud est conçu pour conserver les plats chauds pendant un maximum de trois heures. Pour utiliser ce mode, appuyez sur **Warm (Maintien au chaud)**, puis sur **Start (Mise en marche)**. Couvrez les plats qui ne doivent pas se dessécher et ne couvrez pas ceux qui doivent être croustillants. Il n'est pas nécessaire de préchauffer. N'utilisez pas ce mode pour réchauffer un plat froid autre que des craquelins, des croustilles ou des céréales sèches. Il n'est pas recommandé de garder un plat chaud pendant plus de deux heures.

Sonde

La température interne d'un plat est souvent utilisée comme indicateur de température, surtout pour les rôtis et la volaille. Le mode Sonde permet de surveiller la température interne du plat et éteint le four lorsque la température interne du plat atteint la température programmée. Les températures minimales pour la sécurité des aliments sont données sur <http://www.isitdoneyet.gov/> / www.IsItDoneYet.gov (en anglais et en espagnol seulement). La sonde ne peut être utilisée qu'avec les modes Cuisson Traditionnelle, Cuisson par convection et Rôtissage par convection.

Comment utiliser la sonde lorsque vous préchauffez le four :

1. Appuyez sur le mode de cuisson désiré (**Cuisson Traditionnelle, Cuisson par convection** ou **Rôtissage par convection**), puis saisissez la température de cuisson.
2. Insérez la sonde dans le plat (reportez-vous aux lignes directrices concernant le placement de la sonde de cette section).
3. Une fois que le four est préchauffé, placez le plat dans le four, branchez la sonde dans sa sortie et assurez-vous qu'elle est insérée jusqu'au bout. Soyez prudent, car les parois du four et la sortie de la sonde sont chaudes.
4. Programmez la température de la sonde en appuyant sur **Probe (Sonde)** et en saisissant la température désirée. La température interne maximale de l'aliment que vous pouvez programmer est de 93°C (200°F).

Pour utiliser la sonde sans préchauffer :

1. Insérez la sonde dans l'aliment (reportez-vous aux consignes concernant le positionnement de la sonde de cette section).

2. Placez le plat dans le four et branchez la sonde à sa sortie, dans le four.
3. Programmez les réglages de sonde et de cuisson désirés en appuyant sur **Probe (Sonde)** et en saisissant la température désirée, puis en sélectionnant le mode de cuisson (**Cuisson Traditionnelle, Cuisson par convection** ou **Rôtissage par convection**) et finalement en saisissant la température de cuisson.

Consignes de positionnement de la sonde

Après avoir préparé la viande et l'avoir placée dans le plat de cuisson, suivez ces consignes pour placer la sonde correctement.

- Insérez la sonde complètement dans la viande, jusqu'à la poignée, de telle façon que la pointe de la sonde soit au centre de la partie la plus épaisse de la viande.
- La sonde ne doit pas toucher d'os, de gras ou de cartilage.
- Pour une volaille entière, insérez la sonde dans la partie la plus épaisse de la poitrine.
- Pour les rôtis déssossés, insérez la sonde dans le centre du rôti.
- Pour un jambon ou de l'agneau avec un os, insérez la sonde dans la partie la plus charnue.
- Pour les ragoûts ou les plats tels que les pains de viande, insérez la sonde dans le centre du plat.
- Pour le poisson, insérez la sonde juste au-dessus de la branchie dans la zone la plus charnue, parallèle à l'arête dorsale.

Vérifiez la température à d'autres endroits du plat avec un thermomètre à aliments lorsque la sonde aura atteint la température programmée, pour vous assurer que toutes les parties du plat ont atteint les températures désirées.

Consignes d'entretien de la sonde

- L'utilisation de sondes autres que celle fournie avec ce produit pourrait endommager la sonde.
- Utilisez les poignées de la sonde et de la prise lorsque vous l'insérez et la retirez de la viande et de la sortie.
- Pour éviter d'endommager votre sonde, n'utilisez pas de pinces pour débrancher le fil lorsque vous la retirez.
- Pour éviter de briser la sonde, assurez-vous que l'aliment est complètement décongelé avant de l'insérer.
- Pour prévenir les brûlures, ne débranchez pas la sonde de sa prise avant que le four n'ait refroidi.
- Ne laissez jamais la sonde dans le four lors de l'autonettoyage ou du nettoyage à la vapeur.
- Ne rangez pas la sonde dans le four.

Plats de cuisson

Consignes pour les plats de cuisson

Le matériel, la finition et la dimension des plats de cuisson influencent le résultat de la cuisson.

Les plats sombres et mats avec revêtement absorbent mieux la chaleur que les plats légers et brillants. Les plats qui absorbent mieux la chaleur peuvent donner une croûte plus brune, plus croustillante et plus épaisse. Si vous utilisez des plats de cuisson sombres avec revêtement, attendez-vous à ce que l'aliment cuise plus rapidement que le temps minimal de cuisson. Si des résultats indésirables sont obtenus avec ce type de plat, envisagez de réduire la température du four de 4°C (25°F) la prochaine fois.

Les plats brillants peuvent permettre une cuisson plus uniforme des pains et gâteaux.

Les plats de verre et de céramique chauffent lentement, mais retiennent bien la chaleur. Ces types de plats fonctionnent bien pour des mets tels que des tartes et des flans.

Les plats isothermes se réchauffent lentement et peuvent réduire le brunissage du dessous.

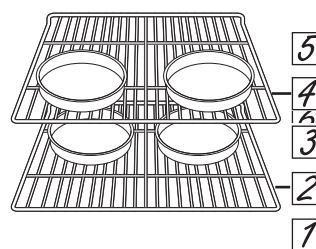
Conservez les plats de cuisson propres pour qu'ils se réchauffent uniformément.

Guide de cuisson

TYPE DE NOURRITURE	MODES RECOMMANDÉS	POSITIONS DE GRILLE RECOMMANDÉES	SUGGESTIONS ADDITIONNELLES
Boulangerie et pâtisserie			
Gâteaux étagés, gâteaux à feuilles, gâteaux Bundt, muffins, pains rapides sur une seule grille	Cuisson par convection Cuisson Traditionnelle	3	Utilisez des plats de cuisson brillants
Gâteaux étagés* sur plusieurs grilles	Cuisson Traditionnelle	2 et 4	Grilles rétractables placées plus haut si elles sont utilisées Assurez-vous d'une circulation d'air adéquate (voir illustration ci-dessous)
Gâteau mousseline	Cuisson par convection Cuisson Traditionnelle	1	Utilisez des plats de cuisson brillants
Biscuits, galettes, scones sur une seule grille	Cuisson par convection	3	Utilisez des plats de cuisson brillants
Biscuits, galettes, scones sur plusieurs grilles	Cuisson par convection Multi-grilles	2 et 4 2, 3 et 5	Grille rétractable en position 4 pour deux grilles et en position 3 pour trois grilles. Assurez-vous d'une circulation d'air adéquate.
Bœuf et porc			
Hamburgers	Gril Traditionnel Fort	5	Utilisez la grille rétractable ; mettre le plat plus bas pour une meilleure cuisson et pour que le dessus soit moins saisi. Surveillez le plat de près lorsque vous le faites griller.
Biftecks et côtelettes	Gril, par convection Fort Gril traditionnel Fort	5	Utilisez un plat adapté au gril. Préchauffez le four 5 minutes si vous utilisez le mode Gril par convection. Mettez le plat plus bas pour une meilleure cuisson et pour que le dessus soit moins saisi. Surveillez le plat de près lorsque vous le faites griller.
Rôtis	Rôtissage par convection	2 ou 3	Utilisez un plat peu profond tel qu'une lèchefrite. Il n'est pas nécessaire de préchauffer le four. Utilisez la sonde.
Volaille			
Poulet entier	Rôtissage par convection	2 ou 3	Utilisez un plat peu profond tel qu'une lèchefrite. Utilisez la sonde.
Blancs, pattes et cuisses de poulet non désossés	Gril (n'importe quel mode) Cuisson par convection Cuisson Traditionnelle	3	Si l'aliment est pané ou enduit de sauce, évitez le mode Gril (Fort). Faites griller l'aliment avec la peau sur le bas d'abord, le cas échéant. Surveillez le plat de près lorsque vous le faites griller.
Blancs de poulet désossés	Gril par convection (Faible) Cuisson par convection Cuisson Traditionnelle	3	Préchauffez 5 minutes si vous utilisez le mode Gril par convection. Placez le plat plus bas pour une meilleure cuisson et pour que le dessus soit moins saisi, et placez-le plus haut pour qu'il soit plus saisi ou brunisse davantage.
Dinde entière	Rôtissage par convection	1 ou 2	Utilisez un plat peu profond tel qu'une lèchefrite. Utilisez la sonde.
Poitrine de dinde	Rôtissage par convection	2 ou 3	Utilisez un plat peu profond tel qu'une lèchefrite. Utilisez la sonde.
Poisson	Gril par convection (Faible) Gril (Faible)	5 [1 cm (1/2 po) ou moins] 4 [> 1 cm (1/2 po)]	Préchauffez 5 minutes lorsque vous utilisez le mode Gril par convection. Surveillez le plat de près lorsque vous le faites griller.
Ragoûts	Cuisson par convection Cuisson Traditionnelle	3	Utilisez le mode Gril (Croustillant) par convection pour les 2-5 dernières minutes de cuisson pour faire fondre ou brunir le fromage ou pour rendre la surface croustillante.
Aliments prêts-à-servir surgelés			
Pizza, pommes de terre frites, Tater Tots, croquettes de poulet, hors d'œuvre sur une seule grille	Cuisson par convection Cuisson Traditionnelle	3	Utilisez le mode Gril (Croustillant) par convection pour les 2-5 dernières minutes de cuisson pour rendre l'extérieur croustillant.
Pizza, pommes de terre frites, Tater Tots, croquettes de poulet, hors d'œuvre sur plusieurs grilles Multi-grilles	Cuisson par convection Multi-grilles	2 et 4	Si vous utilisez le mode croustillant, placez les deux plats sur la grille si l'espace le permet, sinon placez-les sur la grille du dessus un à la fois.

*Lorsque vous faites cuire quatre étages à la fois, utilisez les grilles 2 et 4. Placez les plats comme illustré ici, de façon à ce qu'un plat ne soit pas directement au-dessus d'un autre.

Faites bien cuire vos aliments pour vous protéger contre les intoxications alimentaires. Les recommandations de températures minimales pour la sécurité de vos aliments sont données sur le site www.IsItDoneYet.gov. Assurez-vous d'utiliser un thermomètre à aliments pour mesurer leur température.



Nettoyage du four

Assurez-vous que le courant soit coupé et que toutes les surfaces soient froides avant de nettoyer quelque partie du four que ce soit.

Panneau de commandes

Il est bon de nettoyer le panneau de commandes après chaque utilisation. Lavez-le avec un savon doux et de l'eau, ou bien avec du vinaigre et de l'eau, rincez avec de l'eau propre et séchez avec un linge doux.

N'utilisez pas de nettoyeurs abrasifs, de nettoyeurs liquides puissants, de tampon à récurer en plastique, ni même de produits nettoyeurs à four ; ils endommageraient la finition.

Extérieur du four

N'utilisez pas de produits nettoyeurs à four, de nettoyeurs abrasifs, de nettoyeurs liquides puissants, de laine d'acier, de tampons à récurer en plastique ni de poudres nettoyantes à l'intérieur ni sur l'extérieur de votre four. Nettoyez-le avec un savon doux et de l'eau ou avec une solution de vinaigre et d'eau. Rincez avec de l'eau propre et séchez avec un linge doux. Lorsque vous nettoyez les surfaces, assurez-vous qu'elles sont à la température de la pièce et qu'elles ne se trouvent pas directement exposées au soleil.

Si une tache persiste sur la bordure de l'ouverture de la ventilation de la porte, utilisez un produit nettoyant abrasif doux et une éponge ou un tampon à récurer pour de meilleurs résultats.

Des débordements de marinades, de jus de fruits, de sauces tomate et de bouillons contenant de l'acide pourraient entraîner une décoloration et doivent être nettoyés immédiatement. Laissez d'abord les surfaces chaudes refroidir, puis nettoyez et rincez.

Surfaces en acier inoxydable (sur certains modèles)

N'utilisez pas de tampon de laine d'acier ; cela pourrait rayer la surface.

Pour nettoyer la surface d'acier inoxydable, utilisez de l'eau chaude et savonneuse ou un produit nettoyant ou produit à polir pour acier inoxydable. Nettoyez toujours la surface dans le sens du grain. Suivez les instructions du produit pour nettoyer les surfaces d'acier inoxydable.

Pour toutes questions concernant l'achat de produits nettoyeurs, y compris un produit nettoyant ou un produit à polir pour appareil électroménager en acier inoxydable, reportez-vous à une section Assistance et accessoires au début de ce manuel.

Intérieur du four

L'intérieur de votre nouveau four peut être nettoyé manuellement ou au moyen du nettoyage à la vapeur ou de l'autonettoyage.

Des débordements de marinades, de jus de fruits, de sauces tomate et de bouillons contenant de l'acide pourraient entraîner une décoloration et devraient être nettoyés immédiatement. Laissez d'abord les surfaces chaudes refroidir, puis nettoyez et rincez.

Nettoyage manuel

N'utilisez pas de produits nettoyeurs à four, de nettoyeurs abrasifs, de nettoyeurs liquides puissants, de laine d'acier, de tampons à récurer ni de poudres nettoyantes à l'intérieur de votre four. Nettoyez-le avec un savon doux et de l'eau ou avec une solution de vinaigre et d'eau. Rincez avec de l'eau propre et séchez avec un linge doux. Lorsque vous nettoyez les surfaces, assurez-vous qu'elles sont à la température de la pièce et qu'elles ne se trouvent pas directement exposées au soleil.

Nettoyage à la vapeur

Le nettoyage à la vapeur est conçu pour nettoyer de petits débordements en utilisant de l'eau et une température de nettoyage plus basse que celle de l'autonettoyage.

Pour utiliser la fonction de nettoyage à la vapeur, commencez par retirer la graisse et la saleté du four. Versez une tasse d'eau au fond du four. Fermez la porte. Appuyez sur **Steam Clean (Nettoyage à la vapeur)**, puis sur **Start (Mise en marche)**. La porte du four se verrouillera. Vous ne pourrez pas ouvrir la porte

pendant les 30 minutes du cycle de nettoyage à la vapeur ; cela diminuerait l'efficacité du nettoyage. À la fin du cycle, la porte se déverrouillera. Essuyez l'eau et les saletés restantes.

Autonettoyage

Avant d'utiliser l'autonettoyage, lisez les instructions en matière de sécurité concernant l'autonettoyage du four. L'autonettoyage utilise de très hautes températures pour nettoyer l'intérieur du four. La porte du four se verrouillera lorsque vous mettrez en marche cette fonction. Avant de faire fonctionner le cycle d'autonettoyage, retirez la graisse et les saletés du four. Retirez également tous les objets sauf les grilles émaillées (foncées). Les grilles brillantes ou argentées, la sonde pour la viande, et tout autre plat de cuisson ou objet doivent être retirés du four avant de mettre en marche l'autonettoyage. Fermez la porte. Appuyez sur **Self Clean (Autonettoyage)**, et une durée d'autonettoyage par défaut s'affichera. Celle-ci peut être programmée pour n'importe quelle durée de nettoyage se trouvant entre 3 et 5 heures à l'aide du pavé numérique. Appuyez sur **Start (Mise en marche)**. Si vous désirez utiliser la durée par défaut, appuyez sur **Start (Mise en marche)** immédiatement après avoir appuyé sur **Self Clean (Autonettoyage)**. Le four s'éteindra automatiquement lorsque le cycle d'autonettoyage sera terminé. La porte demeurera verrouillée jusqu'à temps que le four ait refroidi. Après que le four aura refroidi, nettoyez les cendres qui pourraient encore se trouver dans le four.

Grilles du four

Les grilles qui ont été fournies avec votre four (foncées, émaillées, non brillantes) peuvent rester dans le four pendant l'autonettoyage; elles ne s'endommageront pas.

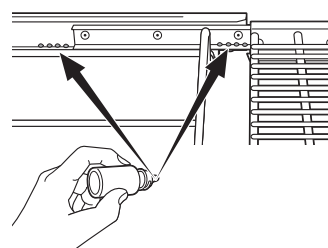
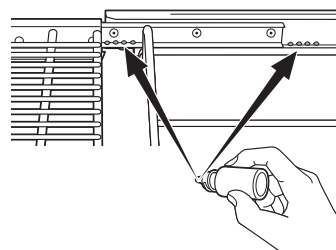
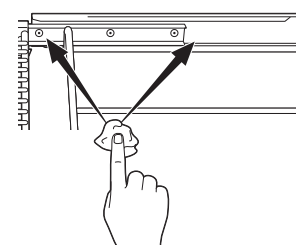
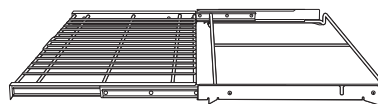
Pour nettoyer les grilles manuellement, utilisez de l'eau chaude et savonneuse. Assurez-vous de ne pas laver les glissières d'une grille rétractable.

Si une grille devient plus difficile à retirer du four, appliquez de l'huile végétale sur un linge doux ou sur un essuie-tout et frottez celui-ci sur les supports de grille. N'appliquez pas d'huile sur une glissière de grille rétractable.

De temps à autre, après plusieurs cycles d'autonettoyage, les coulisses de grille rétractable pourraient devoir être lubrifiées à l'aide du lubrifiant au graphite compris avec votre four. Pour commander davantage de lubrifiant au graphite, reportez-vous à la section Assistance et accessoires au début de ce manuel.

1. Retirez la grille rétractable du four. Reportez-vous à la section des grilles de four rétractables.
2. Ouvrez entièrement la grille sur une table ou un comptoir. Un journal peut être placé sous la grille pour un nettoyage plus facile.
3. Si des résidus sont présents sur les glissières, retirez-les à l'aide d'un essuie-tout. **REMARQUE** : Tout lubrifiant au graphite qui aura été essuyé devra être remplacé.
4. Mélangez bien le lubrifiant au graphite avant de l'ouvrir. En commençant avec le mécanisme de glissement du côté gauche, déposez quatre (4) petites gouttes de lubrifiant sur les deux (2) glissières du fond, près du boîtier de roulement.
5. Répétez l'opération pour le mécanisme de glissement de la grille du côté droit.
6. Ouvrez et fermez la grille plusieurs fois pour distribuer le lubrifiant uniformément.
7. Remplacez le capuchon sur le lubrifiant et mélangez-le à nouveau. Changez la grille de côté et répétez les étapes 3, 4, 5 et 6.
8. Fermez la grille, tournez-la pour que le côté droit soit en haut, et placez-la dans le four. Reportez-vous à la section des grilles de four rétractables.
9. Répétez les étapes pour chacune des grilles.

REMARQUE : Ne vaporisez pas d'aérosol de cuisson ni d'autres lubrifiants en aérosol.

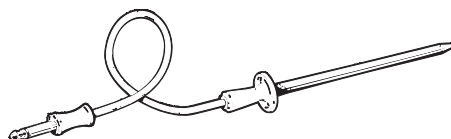


Sonde

La sonde de température peut être nettoyée avec du savon et de l'eau ou avec un tampon à récurer imbibé de savon. Laissez refroidir la sonde avant de la nettoyer. Récurer les taches tenaces avec un tampon à récurer imbibé de savon, rincez et séchez.

Pour commander les sondes de température additionnelles, reportez-vous à la section Assistance et accessoires au début de ce manuel.

- N'immergez pas la sonde dans l'eau.
- Ne rangez pas la sonde dans le four.
- Ne laissez pas la sonde de température dans le four lors d'un cycle de nettoyage à la vapeur ou d'autonettoyage.



Entretien

Remplacement de la lumière du four

⚠ AVERTISSEMENT

DANGER DE CHOC ELECTRIQUE OU DE BRÛLURE : Avant de remplacer l'ampoule de la lumière du four, coupez le courant qui alimente le four au fusible principal ou au tableau à disjoncteurs. Le non-respect de cette directive pourrait entraîner un choc électrique ou une brûlure.

⚠ MISE EN GARDE

DANGER DE BRÛLURE : La protection de verre et l'ampoule doivent être retirés après refroidissement. Toucher le verre chaud à mains nues ou avec un linge humide peut causer des brûlures.

1. Coupez le courant au fusible principal ou au tableau à disjoncteurs.
2. Retirez les grilles de four.
3. Glissez un tournevis à lame plate entre le boîtier et la protection en verre.
4. Maintenez la protection en verre avec deux doigts pour l'empêcher de tomber au fond du four. Faites attention à ne pas endommager le revêtement du four.
5. Doucement, faites tourner la lame du tournevis pour donner du jeu à la protection de verre.
6. Retirez la protection de verre.
7. Retirez l'ampoule en la tenant fermement et en la faisant glisser vers l'extérieur jusqu'à ce que les deux broches soient sorties du support de céramique.
8. Ne touchez pas le verre de la nouvelle ampoule avec vos doigts. Cela évite que l'ampoule ne se grille au premier allumage. Prenez la nouvelle ampoule avec une serviette propre ou un mouchoir, en orientant les broches vers le bas. Alignez les deux broches sur le support de céramique, appuyant doucement jusqu'à ce que l'ampoule soit bien placée dans son boîtier de céramique.
9. Faites glisser le cache protecteur dans le support et poussez jusqu'au dé clic.
10. Rebranchez le courant.

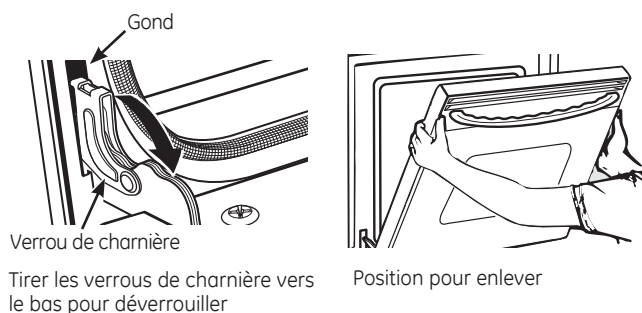
Porte de four amovible

La porte est très lourde. Faites attention lorsque vous la retirez et la soulevez.

Ne soulevez pas la porte par sa poignée.

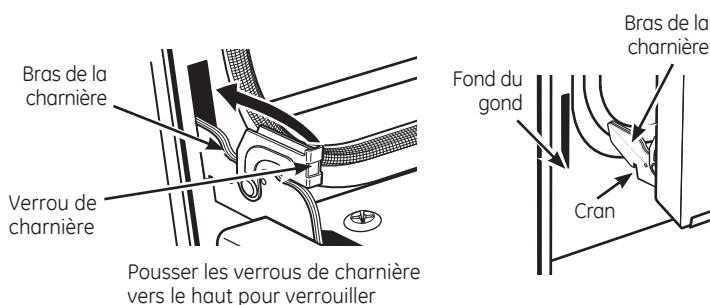
Pour retirer la porte :

1. Ouvrez la porte complètement.
2. Tirez les verrous de charnière vers le bas du cadre de la porte, jusqu'à ce que ceux-ci soient en position déverrouillée. Un outil tel qu'un tournevis à lame plate pourrait être nécessaire.
3. Empoignez fermement les deux côtés de la porte, en haut.
4. Fermez la porte jusqu'à ce qu'elle soit en position pour être enlevée. La porte devrait être ouverte d'environ 7,3 cm (3 po). et sans aucune obstruction.
5. Soulevez la porte vers le haut et vers l'extérieur jusqu'à ce que les deux charnières soient sorties de leurs gonds.



Pour replacer la porte :

1. Empoignez fermement les deux côtés de la porte, en haut.
2. En commençant du côté gauche, la porte placée dans le même angle que celui dans lequel elle a été enlevée, placez le cran de la charnière au fond des gonds. L'encoche du bras de la charnière doit être placée bien au fond de son gond. Répétez de l'autre côté.
3. Ouvrir complètement la porte. Si elle ne s'ouvre pas complètement, c'est que le cran n'est pas placé bien au fond de son gond.
4. Poussez les verrous de charnière vers le haut, contre le cadre extérieur de la cavité du four, jusqu'à temps qu'ils soient en position verrouillée.
5. Fermez la porte du four.



Notes

Conseils de dépannage... Avant d'appeler un dépanneur

Économisez du temps et de l'argent! Consultez les tableaux des pages suivantes, et vous n'aurez peut-être pas à appeler le dépanneur.

Problème	Cause possible	Que faire?
Mon nouveau four ne cuit pas aussi bien que mon ancien four. Y aurait-il un problème avec les réglages de température ?	Votre nouveau four a un système de cuisson différent de votre ancien four; par conséquent, il pourrait avoir un fonctionnement différent de celui de votre ancien four.	Pour les quelques premières utilisations, respectez les temps de cuisson indiqués par vos recettes. Si vous croyez encore que votre nouveau four est trop chaud ou trop froid, vous pouvez ajuster la température vous-même pour atteindre votre préférence spécifique de cuisson. REMARQUE : Ce réglage affecte les températures des modes Cuisson Traditionnelle, Cuisson par convection et Cuisson par convection multi; il n'affecte pas les modes Rôtissage par convection, Gril Traditionnel, Gril par convection ni Nettoyage.
Les aliments ne sont pas cuits correctement.	Les commandes du four ne sont pas bien réglées.	Reportez-vous à la section Modes de cuisson.
	Les positions de grille ne sont pas correctes, ou les grilles ne sont pas de niveau.	Reportez-vous à la section Modes de cuisson et Guide de cuisson.
	Les plats de cuisson utilisés ne conviennent pas ou ne sont pas de la bonne taille.	Reportez-vous à la section Plats de cuisson.
	Le réglage de température doit être modifié.	Reportez-vous à la section Fonctions spéciales.
	Substitution d'ingrédient	La substitution d'ingrédients peut influencer le résultat de la recette.
Les aliments ne grillent pas correctement.	Les commandes du four ne sont pas bien programmées.	Assurez-vous de sélectionner le mode Gril approprié. REMARQUE : Le mode Croustillant par convection n'est pas conçu pour faire griller des aliments.
	Les positions de grille utilisées ne sont pas les bonnes.	Reportez-vous au Guide de cuisson pour obtenir des suggestions concernant l'emplacement de la grille.
	Les aliments sont cuits dans un plat chaud.	Assurez-vous que les plats de cuisson sont froids.
	Les plats de cuisson ne sont pas appropriés pour faire griller.	Utilisez un plat conçu expressément pour faire griller des aliments, tel qu'une lèchefrite.
	Le papier d'aluminium utilisé dans la lèchefrite et sur la grille n'est pas de la bonne taille et n'est pas découpé tel qu'il a été recommandé de le faire.	Si vous utilisez du papier d'aluminium, conformez-vous au plat utilisé.
	Dans certaines régions, le voltage pourrait être moins élevé.	Préchauffez l'élément pendant 10 minutes.
La température du four est trop élevée ou trop basse.	La température du four doit être ajustée.	Reportez-vous à la section Fonctions spéciales.
Le four ne fonctionne pas ou semble ne pas fonctionner.	Un fusible de votre maison pourrait avoir sauté, ou le disjoncteur pourrait être ouvert.	Remplacez le fusible ou le disjoncteur.
	Les commandes du four ne sont pas bien réglées.	Reportez-vous à la section Utilisation du four.
	Le four est en mode Sabbat.	Vérifiez que le four n'est pas en mode Sabbat. Reportez-vous à la section Fonctions spéciales.
Sons de crépitement ou d'éclatement.	Ces sons proviennent du métal qui chauffe et qui refroidit durant les fonctions tant de cuisson que de nettoyage.	C'est normal.
Pourquoi ma cuisinière émet-elle un « clic » lorsque j'utilise le four?	Votre cuisinière a été conçue pour garder un contrôle précis sur la température de votre four. Vous pourriez entendre les éléments chauffants de votre four émettre ce son plus souvent que votre ancien four. Ces sons signifient que les éléments s'éteignent ou s'allument, et s'ils sont émis plus souvent, cela signifiera de meilleurs résultats de la part des fonctions Cuisson, Gril, Convection et Autonettoyage.	C'est normal.
L'horloge et la minuterie ne fonctionnent pas	Un fusible dans votre maison pourrait avoir sauté ou un disjoncteur pourrait s'être ouvert.	Remplacez le fusible ou réenclenchez le disjoncteur.

Conseils de dépannage... Avant d'appeler le dépanneur

Problème	Cause possible	Que faire?
La lumière du four ne fonctionne pas.	L'ampoule est desserrée ou défectueuse.	Resserrez ou remplacez l'ampoule.
	La lumière du clavier est grillée.	Appelez le service à la clientèle.
Le four ne s'autonettoie pas.	La température est trop élevée pour démarrer une opération d'autonettoyage.	Laissez refroidir le four et reprogrammez les commandes.
	Les commandes du four ne sont pas bien réglées..	Reportez-vous à a section Nettoyage du four.
Fumée excessive durant le cycle de nettoyage.	Saleté ou graisse excessive.	Appuyez sur le bouton Cancel/Off (Annuler/Off) . Ouvrez les fenêtres pour faire sortir la fumée. Attendez que le signal lumineux VERROUILLÉ s'éteigne. Nettoyez les résidus de saleté et reprenez le cycle de nettoyage.
Fumée excessive durant la fonction Gril.	Le plat est trop près de l'élément.	Placez la grille et le plat plus bas.
La porte du four ne s'ouvre pas après un cycle de nettoyage..	Le four est trop chaud.	Laissez le four refroidir jusqu'à la température nécessaire pour qu'il se déverrouille.
Le four n'est pas propre après un cycle de nettoyage..	Les commandes du four ne sont pas bien réglées.	Reportez-vous à la section Nettoyer le four.
	Le four était très sale.	Nettoyez les débordements volumineux avant de mettre en marche un cycle de nettoyage. Les fours très sales pourraient devoir subir un autre autonettoyage ou un autonettoyage plus long.
Le signal « LOCK DOOR » (porte verrouillée) clignote sur l'écran d'affichage.	Le cycle autonettoyage a été sélectionné mais la porte n'est pas fermée.	Fermez la porte du four.
Le signal « LOCKED » (verrouillé) est allumé lorsque vous voulez cuisiner.	La porte du four est verrouillée parce que la température à l'intérieur du four n'est pas encore descendue sous la température de verrouillage.	Appuyez sur le bouton Annuler/Off. Laissez le four refroidir.
« F » ainsi qu'un nombre ou une autre lettre clignote à l'écran d'affichage.	Vous avez un code d'erreur de fonction.	Appuyez sur le bouton Cancel/Off (Annuler/Off) . Laissez le four refroidir pendant une heure. Remettez-le en marche.
	Si le code de fonction se répète.	Débranchez tout le courant qui alimente le four pendant au moins 30 secondes, puis rebranchez-le. Si le code d'erreur de fonction se répète, appelez le service à la clientèle.
L'écran n'affiche rien.	Un fusible dans votre maison pourrait avoir sauté ou un disjoncteur pourrait s'être ouvert..	Remplacez le fusible ou réenclenchez le disjoncteur.
	L'horloge est éteinte.	Reportez-vous à la section Fonctions spéciales.
	Le four est en mode Sabbat.	Vérifiez que le four n'est pas en mode Sabbat. Reportez-vous à la section Fonctions spéciales.
Panne de courant, l'horloge clignote.	Panne de courant ou surtension	Reprogrammez l'horloge. Si le four était en utilisation, vous devez le reprogrammer en appuyant sur le bouton Cancel/Off (Annuler/Off) , reprogrammer l'horloge puis reprogrammer la fonction de cuisson.
Une odeur de brûlé ou d'huile émane de l'ouverture de ventilation.	C'est normal pour un nouveau four; cette odeur disparaîtra avec le temps.	Pour accélérer le processus, programmez un cycle d'autonettoyage pour un minimum de 3 heures. Reportez-vous à la section Nettoyage du four.
Forte odeur	Une odeur venant de l'isolation posée autour de l'intérieur du four est normale pour les quelques premières utilisations du four.	Cette odeur est temporaire et s'en ira après plusieurs utilisations ou après un autonettoyage.
Bruit du ventilateur	Un ventilateur de refroidissement pourrait s'allumer automatiquement.	C'est normal. Le ventilateur de refroidissement s'allumera pour refroidir les pièces internes. Il pourrait fonctionner pendant près de 1 h 30 après que le four a été éteint.
La vitre de la porte de mon four semble être teintée ou présenter une couleur arc-en-ciel. Est-elle défectueuse?	Non. La vitre intérieure du four est recouverte d'une barrière conçue pour refléter la chaleur vers le four pour empêcher la perte de chaleur et pour garder la porte extérieure froide lorsque le four est en fonction.	C'est normal. Sous un certain éclairage ou certains angles, vous pourriez voir cette teinte ou cette couleur arc-en-ciel.

Conseils de dépannage... Avant d'appeler le dépanneur

Problème	Cause possible	Que faire?
Parfois, le four prend plus de temps pour se réchauffer à une même température.	Plat de cuisson ou nourriture dans le four	Le plat de cuisson ou l'aliment se trouvant dans le four influencera le temps nécessaire pour préchauffer le four. Retirez les objets à l'intérieur pour réduire le temps nécessaire pour préchauffer.
	Nombre de grilles dans le four	Ajouter d'autres grilles fera en sorte que le four tardera davantage à se préchauffer. Enlevez des grilles.
	Différents modes de cuisson	Les différents modes de cuisson utilisent chacun différentes méthodes pour préchauffer le four. Certains modes prendront plus de temps que d'autres (c.-à-d. Cuisson par convection multi).