


Installation Instructions

Glass Wall Chimney Vent Hoods

PVW7301, PVW7361

 If you have questions, call 800.561.3344 or visit our website at: GEAppliances.ca

BEFORE YOU BEGIN

Read these instructions completely and carefully.

- **IMPORTANT** — Save these instructions for local inspector's use.
- **IMPORTANT** — Observe all governing codes and ordinances.
- **Note to Installer** – Be sure to leave these instructions with the Consumer.
- **Note to Consumer** – Keep these instructions for future reference.
- **Skill level** – Installation of this vent hood requires basic mechanical and electrical skills.
- **Completion time** – Approximately 1 to 3 hours
- Proper installation is the responsibility of the installer.
- Product failure due to improper installation is not covered under the Warranty.

⚠ CAUTION: Due to the weight and size of these vent hoods and to reduce the risk of personal injury or damage to the product, **TWO PEOPLE ARE REQUIRED FOR PROPER INSTALLATION.**

FOR YOUR SAFETY:

⚠ WARNING: Before beginning the installation, switch power off at service panel and lock the service disconnecting means to prevent power from being switched on accidentally. When the service disconnecting means cannot be locked, securely fasten a prominent warning device, such as a tag, to the service panel.

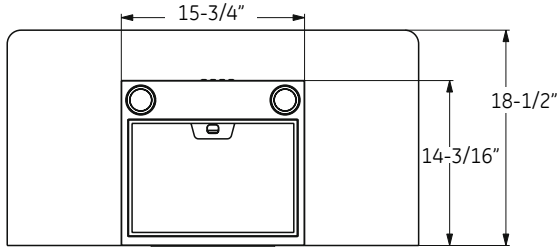
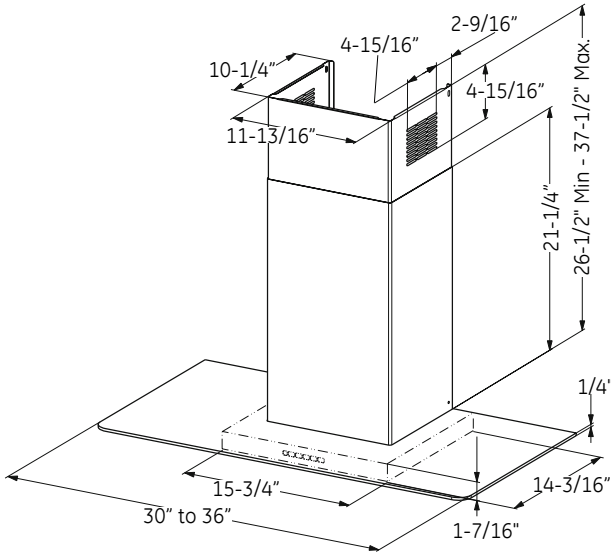
⚠ WARNING: TO REDUCE THE RISK OF FIRE, ELECTRIC SHOCK OR INJURY TO PERSONS, OBSERVE THE FOLLOWING:

- A. Installation work and electrical wiring must be done by qualified person(s) in accordance with all applicable codes and standards, including fire-rated construction.
- B. Sufficient air is needed for proper combustion and exhausting of gases through the flue (chimney) of fuel burning equipment to prevent back drafting. Follow the heating equipment manufacturer's guidelines and safety standards such as those published by the National Fire Protection Association (NFPA), the American Society for Heating, Refrigeration and Air Conditioning Engineers (ASHRAE) and the local code authorities.
- C. When cutting or drilling into wall or ceiling, do not damage electrical wiring and other hidden utilities.
- D. Ducted fans must always be vented to the outdoors.
- E. Turn off breaker to adjacent rooms while working.

⚠ WARNING: TO REDUCE THE RISK OF FIRE, USE ONLY METAL DUCT WORK.

Installation Preparation

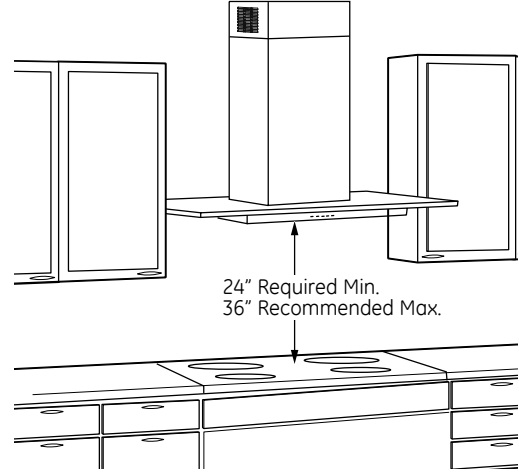
PRODUCT DIMENSIONS



INSTALLATION CLEARANCES

These vent hoods are designed to be installed onto a wall with no above cabinets.

- Install these hoods between the 24" required minimum and 36" recommended maximum above the cooking surface.



The vent hood must be installed between the 24" required minimum and 36" recommended maximum above the cooking surface. The hood installation height above the cooking surface depends upon ceiling height and duct cover limitations. The telescopic duct cover conceals the ductwork running from the top of the hood to the ceiling. For supplied duct cover ceiling heights, see table on page 5.

NOTE: Installation height should be measured from the cooking surface to the lowest part of the hood. This hood must be installed onto a wall. It can be vented to the outdoors, or it can be installed for recirculating operation. For recirculation operation, see **Recirculation Install Planning**.

1" = 2.5 cm; 1' = 0.3 m

Installation Preparation

ADVANCE PLANNING

Duct Install Planning

- This hood is designed to be vented vertically through the ceiling. Use a 6" round duct. Use locally supplied elbows to vent horizontally through the rear wall.
- Use metal ductwork only.
- Determine the exact location of the vent hood.
- Plan the route for venting exhaust to the outdoors. To maximize the ventilation performance of the vent system:
 1. Minimize the duct run length and number of transitions and elbows.
 2. Maintain a constant duct size.
 3. Seal all joints with duct tape to prevent any leaks.
 4. Do not use any type of flexible ducting.
- Install a wall cap or roof cap with damper at the exterior opening. Purchase the wall or roof cap and any transition and length of duct needed in advance.
- When applicable, install any makeup (replacement) air system in accordance with local building code requirements.

Recirculation Install Planning

A recirculation duct (included) and one charcoal filter (not included) are necessary for recirculation installation.

Power Supply Planning

The location of the power supply connection is called out in the **Prepare the Wall** section on page 6.

POWER SUPPLY

IMPORTANT – (Please read carefully)

⚠ WARNING:

FOR PERSONAL SAFETY, THIS APPLIANCE MUST BE PROPERLY GROUNDED.

Remove house fuse or open circuit breaker before beginning installation.

Do not use an extension cord or adapter plug with this appliance. Follow National Electrical Codes or prevailing local codes and ordinances.

Electrical supply

These vent hoods must be supplied with 120V, 60Hz, and connected to an individual, properly grounded branch circuit, and protected by a 15 or 20 amp circuit breaker or time delay fuse.

- Wiring must be 2 wire with ground.
- If the electrical supply does not meet the above requirements, call a licensed electrician before proceeding.
- Route house wiring as close to the installation location as possible in the ceiling or wall.
- Connect the wiring to the house wiring in accordance with local codes.

Grounding instructions

The grounding conductor must be connected to a ground metal, permanent wiring system, or an equipment-grounding terminal or lead on the hood.

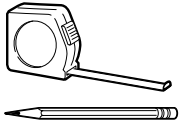
⚠ WARNING: The improper connection of the equipment-grounding conductor can result in a risk of electric shock. Check with a qualified electrician or service representative if you are in doubt whether the appliance is properly grounded.

1" = 2.5 cm; 1' = 0.3 m

Installation Preparation

TOOLS AND MATERIALS REQUIRED

(NOT SUPPLIED)



Pencil and tape measure



Safety glasses



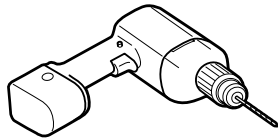
Phillips screwdriver



Level



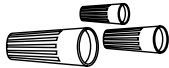
Wire cutter/stripper



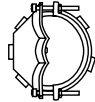
Electric drill with #2 Phillips, flat head, and 9/32" drill bit



Aluminized Duct tape



UL listed wire nuts



Strain relief for junction box

REMOVE THE PACKAGING

CAUTION: Wear gloves to protect against sharp edges.

- Remove the duct covers.
- Remove the hardware bag, literature package and other boxed parts.
- Remove and properly discard the protective plastic wrapping and other packaging materials.

PLAN THE INSTALLATION

CAUTION: To reduce risk of fire and to properly exhaust air, be sure to duct the air outside – Do not vent exhaust air into spaces within walls or ceilings or into attics, crawl spaces, or garages.

PARTS SUPPLIED FOR INSTALLATION

- 1 Hardware Package
- 1 Literature Package

PARTS NEEDED FOR INSTALLATION

- 1 Strain Relief
- Power Supply Cable
- 1 Wall or Roof Cap (for ducted venting only)
- All Metal Ductwork (for ducted venting only)
- Recirculation Duct (for recirculation install only)

WARNING: PERSONAL INJURY HAZARD

Because of the weight and size of the rangehood canopy. It is recommended that 2 people are used to install the range hood. Failure to properly lift rangehood could result in damage to the product or personal injury.

NOTE: This rangehood can be installed as either ducted or recirculation. In a ducted application, this rangehood can be vented through the wall or ceiling. When installed for recirculation, the rangehood vents out the sides of the duct cover.

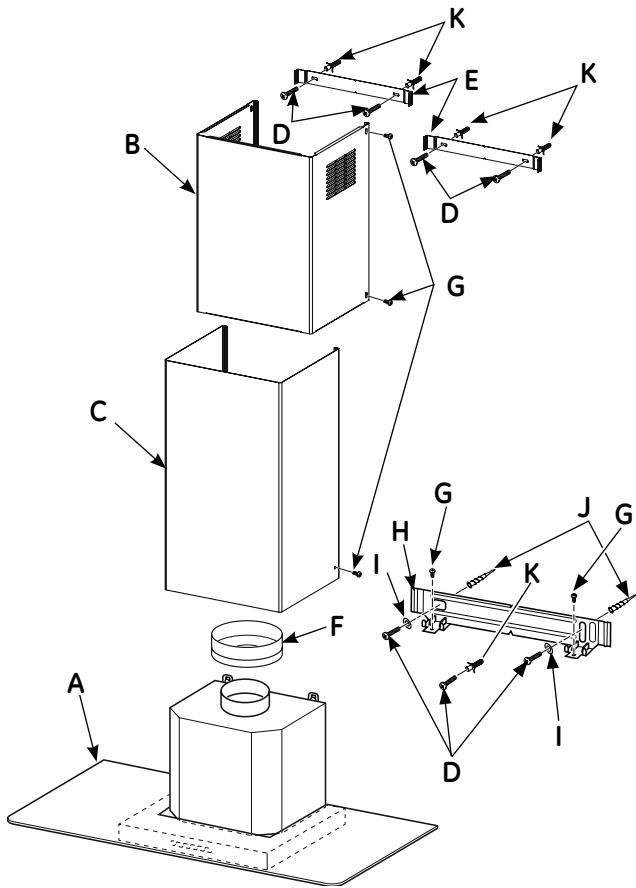
NOTE: Before making any cuts or holes for installation, determine which venting method will be used and carefully calculate all measurements.

1" = 2.5 cm; 1' = 0.3 m

Installation Preparation

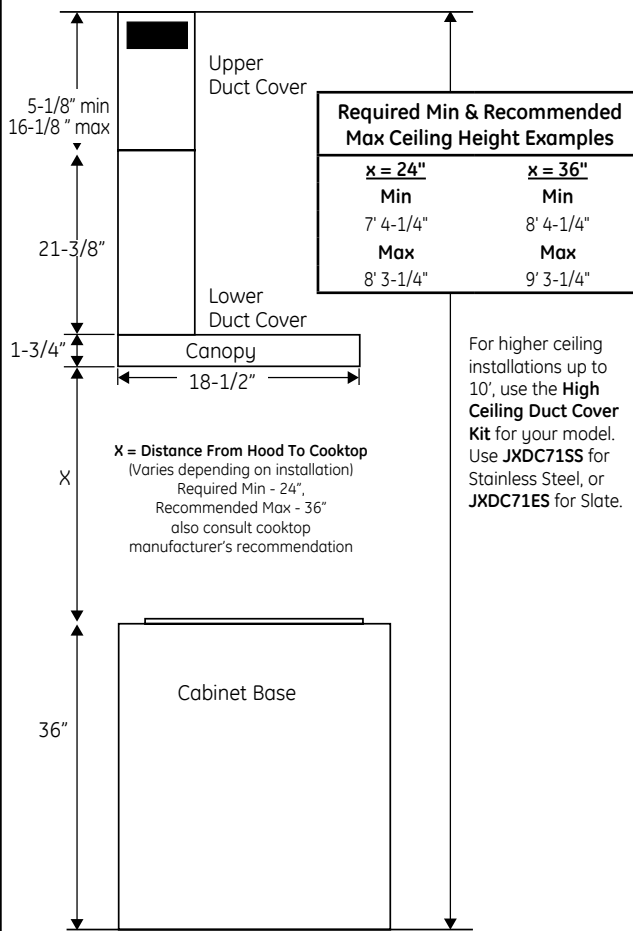
RANGE HOOD COMPONENTS

- A. Canopy Section
- B. Upper Duct Cover
- C. Lower Duct Cover
- D. Mounting Screws
- E. Duct Cover Mounting Brackets
- F. Damper
- G. Duct Cover Screws
- H. Mounting Bracket
- I. Washers
- J. Canopy Mounting Anchors
- K. Duct Cover Anchors
- L. Dry Wall Self-Tapping Screws (for Junction Box)

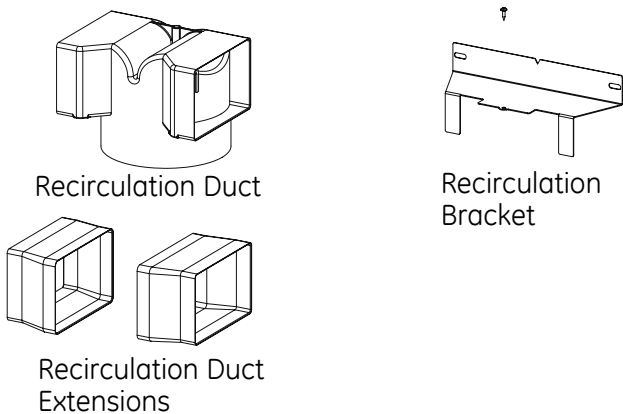


INSTALLATION DIMENSIONS

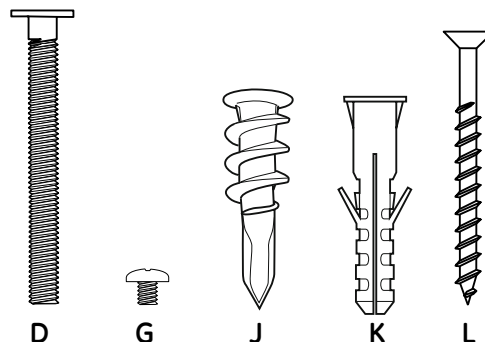
The Glass Chimney Hoods are adjustable and designed to meet varying ceiling heights. The duct covers can be adjusted for ceilings between 7' 4-1/4" and 9' 3-1/4" depending on the distance between the bottom of the hood and the cooktop (distance X).



RECIRCULATION COMPONENTS



HARDWARE COMPONENTS



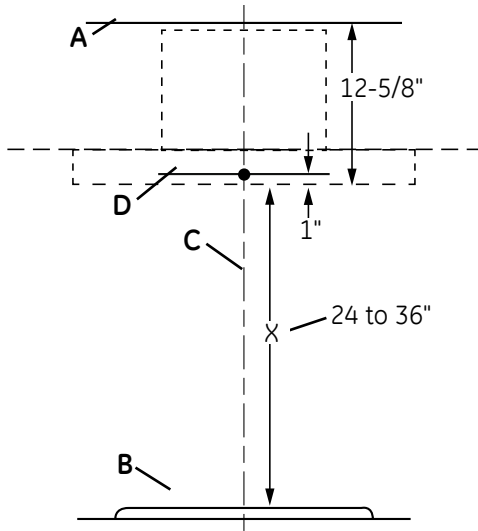
1" = 2.5 cm; 1' = 0.3 m

Installation Preparation

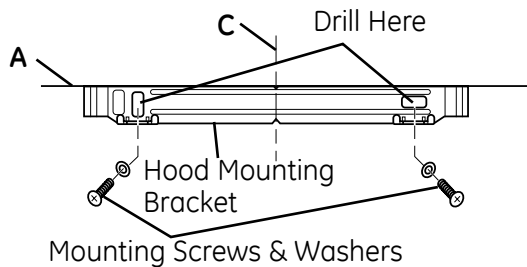
PREPARE THE WALL

Hood Body

1. Put a protective covering over the surface below the location of the hood to protect from dirt and/or damage.
2. Determine and mark the centerline on the wall (draw line up to the ceiling) where the range hood will be installed. Based on the ceiling height, determine the distance 24" required min, 36" recommended max (X) needed between the cooking surface (B) and the bottom of the hood. To this distance, add 12-5/8" and draw a horizontal line (A) about 24" long centered on the vertical centerline (C).



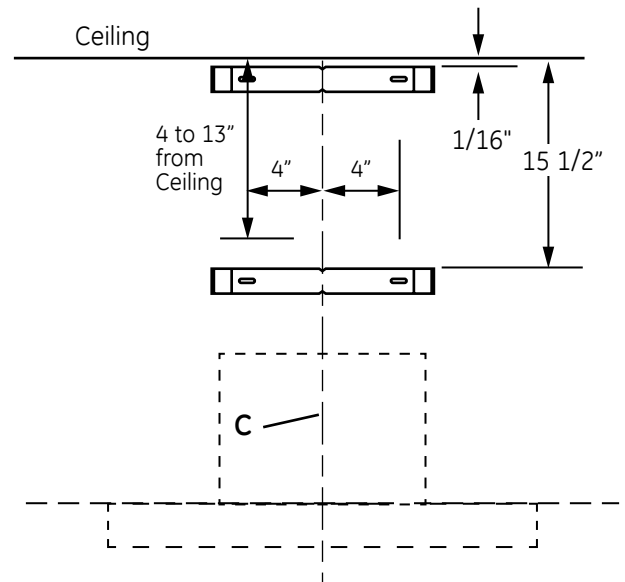
3. Align the top edge of the mounting bracket with the horizontal line (A). Align the center notches of the bracket with the centerline (C) and mark the center of the bracket holes. Remove the bracket to drill the 2 canopy mounting anchors into the wall at the markings. Place the mounting bracket back on the wall and install the 2 mounting screws with 2 washers into the anchors. Tighten screws.



4. Draw a second horizontal line (D) that is 1" added from the (X) distance. Drill a hole into the wall with a 9/32" drill bit at the intersection of the horizontal line (D) and vertical centerline (C). Insert a duct cover anchor.

Duct Covers and Power Supply

1. Place one of the duct cover brackets against the wall so that its top edge is 1/16" from the ceiling and level. Align the center notches of the bracket and the centerline (C) and mark the centers of the bracket holes. Remove the bracket to drill the 2 holes for installation with a 9/32" drill bit, and insert the duct cover anchors. Place the bracket back on the wall and install the 2 mounting screws into the anchors. Tighten screws.
2. Place the other duct cover bracket on the wall so that its top edge is 15-1/2" from the ceiling and level. Align the center notches of the bracket and the centerline (C) and mark the centers of the bracket holes. Remove the bracket to drill the 2 holes for installation with a 9/32" drill bit, and insert the duct cover anchors. Place the bracket back on the wall and install the 2 mounting screws into the anchors. Tighten screws.
3. Determine and mark where the hole will be drilled for the power supply cable to be run through the wall. The center of the hole can be located 4" to the left or right of the centerline (C) while remaining between 4" and 13" down from the ceiling. Once the center of the hole is marked, drill a 1 1/4" diameter hole.

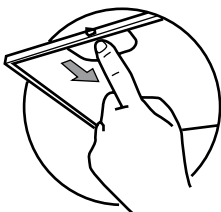


1" = 2.5 cm; 1' = 0.3 m

Installation Instructions

PREPARE HOOD FOR INSTALLATION

Remove the grease filter from the unit and set aside. The grease filter is removed by pressing the handle in front of the filter. When replacing, make sure that the filter is properly positioned with the handles in front and visible.



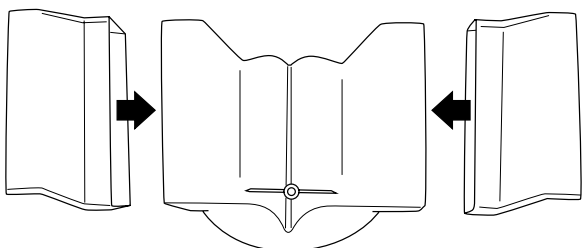
Vented Installations

1. Securely press the damper on top of the exhaust opening. Check that the damper opens freely.
2. Remove and properly discard the protective plastic wrapping from the hood and grease filter.
3. Go to **Mount the Glass Range Hood** section.

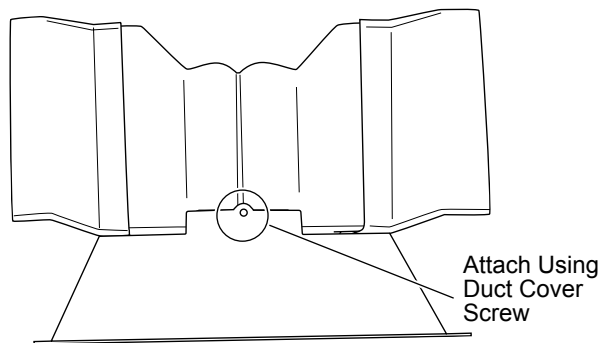
Non-vented (ductless) Installations

NOTE: A recirculation duct, extensions, and bracket are all included with the hood and are necessary for recirculation installation. A charcoal filter, not included, is also needed for recirculation installation. **The damper is not installed on the unit with recirculation installation.**

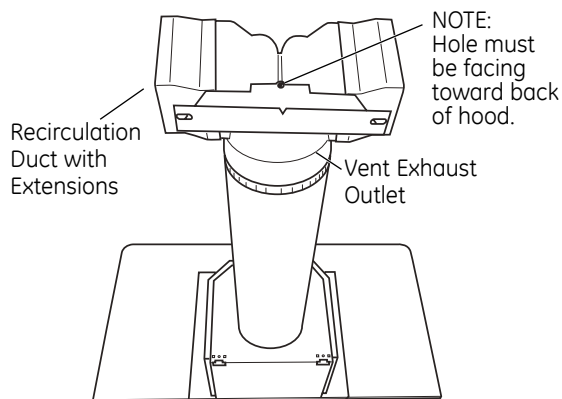
1. Install the recirculation duct extensions to the recirculation duct.



2. Attach the recirculation duct mounting bracket to the recirculation duct using the duct cover screw supplied with the hardware package.



3. Fit the recirculation duct with extensions over the vent exhaust outlet and push down to seat on outlet. Attach the vertical duct work to the top of the hood. Check that the recirculation duct is in the proper orientation (hole facing towards the back of the hood).

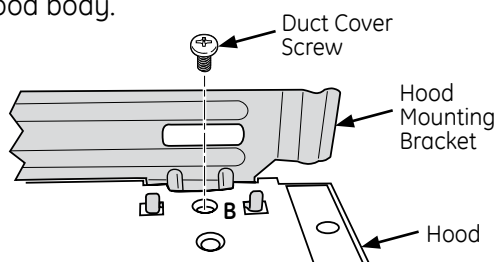


4. Go to **Mount the Glass Range Hood** section.

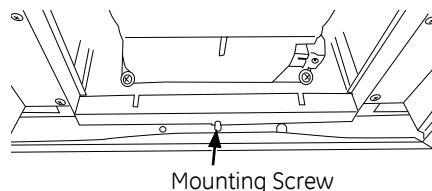
MOUNT THE GLASS RANGE HOOD

NOTE: If ductless (recirculation) installation, follow steps 1-6. If ducted installation, follow steps 1-3.

1. Using 2 or more people, lift the range hood and place on the hood mounting bracket. Make sure the bracket fully engages the holes on the hood body.



2. Place a mounting screw into the duct cover anchor at the center slot provided on the bottom of the back side of the hood. Securely tighten.

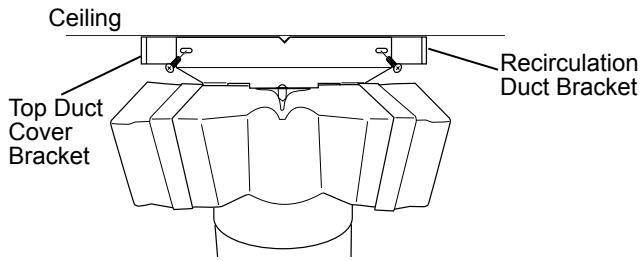


3. Secure the hood to the mounting bracket by fastening a duct cover screw in hole (B) on both sides of bracket shown previously

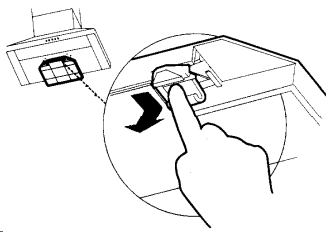
Installation Instructions

MOUNT THE GLASS RANGE HOOD (Continued)

- Remove the top duct cover bracket from the wall.
- Align the top edge of the duct cover bracket with the top edge of the recirculation duct mounting bracket that is attached to the recirculation duct. Align the center notches of each bracket. Place both brackets back onto the wall in the previous position. Install the 2 mounting screws into the anchors and securely tighten.

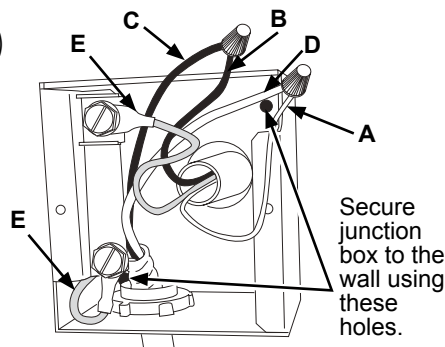


- Attach the CHARCOAL FILTER (not included).



ELECTRICAL CONNECTION

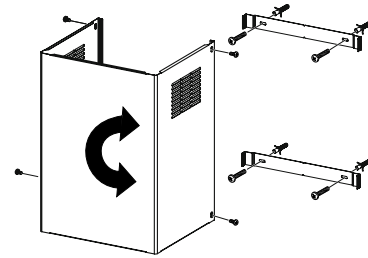
- Remove the cover from the field wiring compartment. Feed the Power Supply Cable through the hole in the compartment.
- Connect the Power Supply Cable to the range hood junction box through the hole that was drilled in the "Preparing the Wall" section on page 6. Attach the White lead of the power supply (A) to the White lead of the range hood (D) with a wire nut. Attach the Black lead of the power supply (B) to the Black lead of the range hood (C) with a wire nut. Connect the Green (E) (Green and Yellow) ground wire under the Green grounding screw.



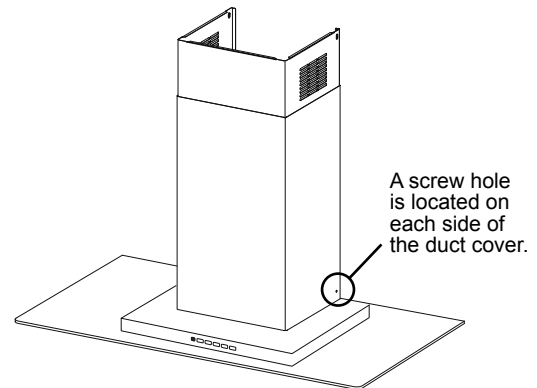
- Secure the junction box to the wall using 2 dry wall self-tapping screws into the two diagonal holes in the junction box. Reattach the field wiring compartment cover.

FINISH THE INSTALLATION

- Ducted installation only:** Connect the house ducting to the damper on the hood body. Seal all connections with duct tape.
- For ducted and recirculation installation:** Install the upper duct cover. Slightly spread the sides of the cover apart and hook them behind the duct cover mounting brackets. Attach the cover to the brackets with 4 duct cover screws. **NOTE:** Depending on the ceiling height and hood install height, the upper duct cover can be installed with the exhaust vents on the top towards the ceiling, or flip the duct cover and hide the exhaust vents under the lower duct cover.



- Install the lower duct cover. Slightly spread the sides of the cover apart and hook them behind the upper duct cover and the wall. Slide the lower duct cover down to fit securely into the top of the range hood.
- Finish attaching the lower duct cover to the chimney of the vent hood with 2 duct cover screws into holes on both sides of the cover.



- Reinstall the metal grease filter to the vent hood.
- Turn the power supply on. Turn on blower and light. If the rangehood does not operate, check that the circuit breaker is not tripped or the house fuse blown. If the unit still does not operate, disconnect the power supply and check that the wiring connections have been made properly.