

Haier

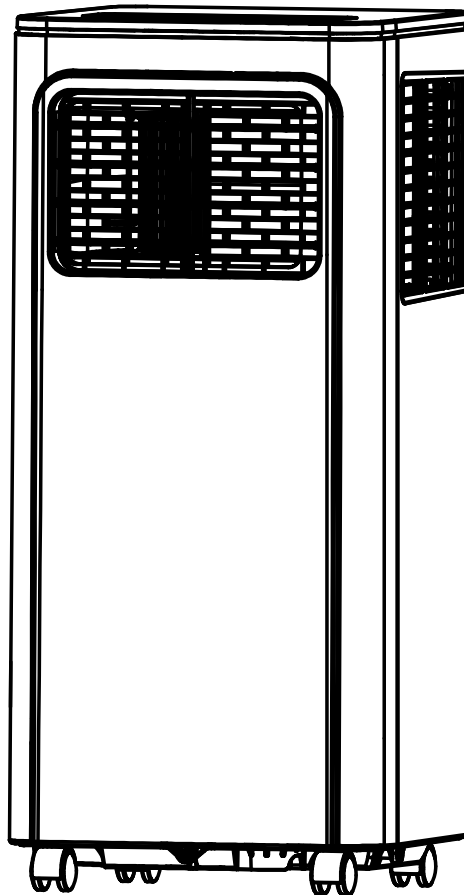
Owner's Manual and
Installation Instruction

Manuel d'utilisation et
instructions d'installation

Manual del propietario y
instrucciones de instalación

Portable Air Conditioner
Climatiseurs portables
Accondicionadores De Aire Para Sala

QPFA08
QPFA10



Design may vary by model number.

La conception peut varier
en fonction du numéro de
modèle

El diseño puede variar según
el número de modelo

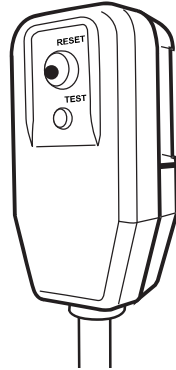
INSTALLATION INSTRUCTIONS

Questions? Call Haier at 866.907.1566 or visit our Website at: haierappliances.com.

BEFORE YOU BEGIN

Read these instructions completely and carefully.

- **IMPORTANT** — Save these instructions for local inspector's use.
- **IMPORTANT** — Observe all governing codes and ordinances.
- **Note to Installer** – Be sure to leave these instructions with the Consumer.
- **Note to Consumer** – Keep these instructions for future reference.
- **Skill level** – Installation of this appliance requires basic mechanical skills.
- **Completion time** – Approximately 1 hour
- We recommend that two people install this product.
- Proper installation is the responsibility of the installer.
- Product failure due to improper installation is not covered under the Warranty.
- You **MUST** use all supplied parts and use proper installation procedures as described in these instructions when installing this air conditioner.



Power cord includes a current interrupter device. A test and reset button is provided on the plug case. The device should be tested on a periodic basis by first pressing the TEST button and then the RESET button while plugged into the outlet. If the TEST button does not trip or if the RESET button will not stay engaged, discontinue use of the air conditioner and contact a qualified service technician.

ELECTRICAL REQUIREMENTS



Some models require a 115/120-volt AC, 60-Hz grounded outlet protected with a 15-amp time-delay fuse or circuit breaker.

The 3-prong grounding plug minimizes the possibility of electric shock hazard. If the wall outlet you plan to use is only a 2-prong outlet, it is your responsibility to have it replaced with a properly grounded 3-prong wall outlet.

CAUTION

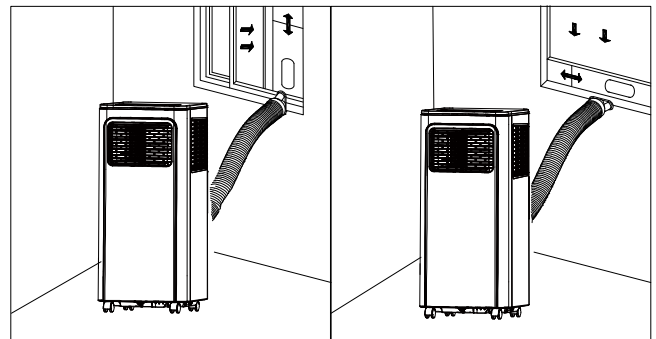
Do not, under any circumstances, cut or remove the third (ground) prong from the power cord.

Do not change the plug on the power cord of this air conditioner.

Aluminium house wiring may present special problems—consult a qualified electrician.

Location Requirements

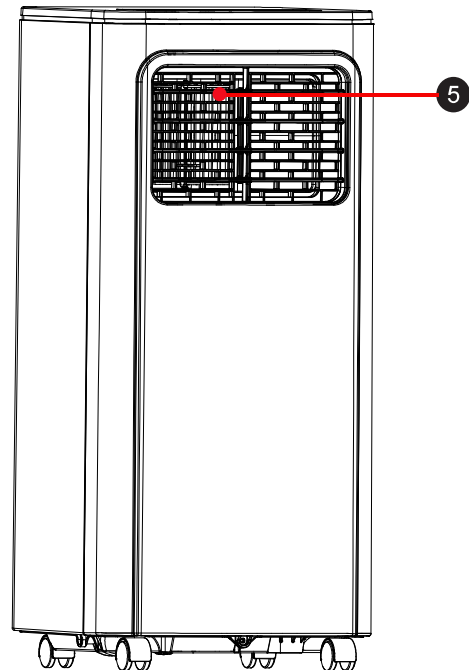
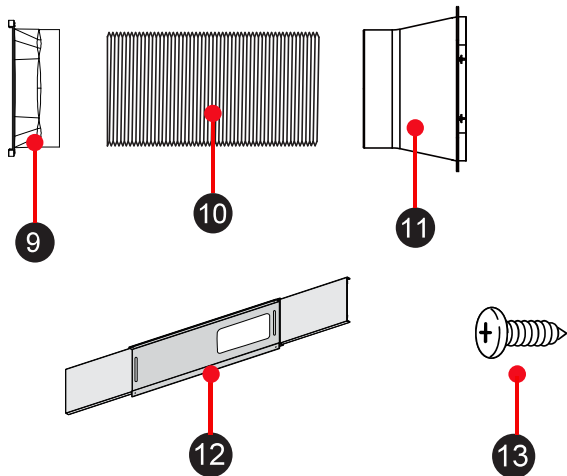
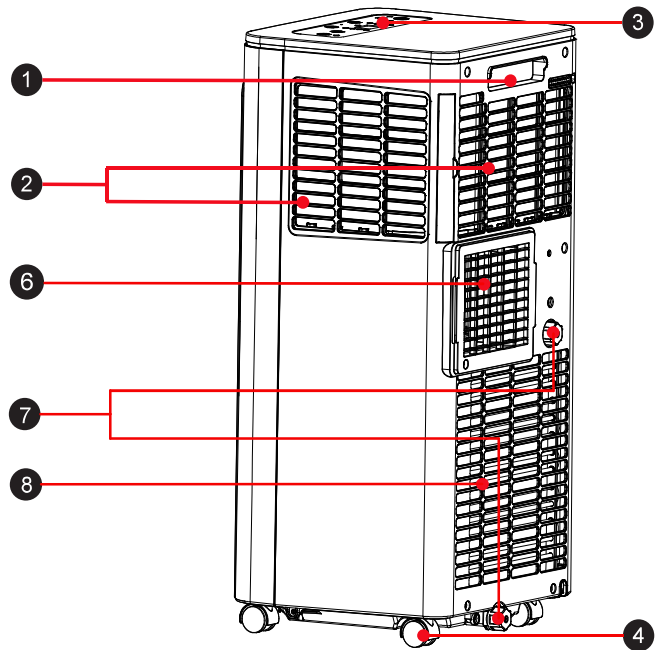
- Place the air conditioner on a flat, level surface in a location that is at least 30" (76.2 cm) from any wall.
- NOTE:** A minimum clearance of 30" (76.2 cm) from the air conditioner to the wall must be maintained to ensure proper airflow.
- Maintain a minimum 30" (76.2 cm) clearance around the air conditioner to not block airflow.
 - Keep the air conditioner free of any obstructions such as drapes, curtains, blinds, etc.
 - The exhaust hose should be free of any obstructions.
 - Do not place the air conditioner on an unstable or raised surface because it could fall and cause damage or injury.
 - Do not place the air conditioner in direct sunlight or near a heat source such as baseboard heaters, stoves, etc.
 - The window panel can be installed in a window with a minimum 20" (55.88 cm) to a maximum 46" (121.92) opening.



INSTALLATION INSTRUCTIONS

PARTS INCLUDED (Appearance may vary)

1. Handle
2. Air Inlet Grille (Up)
3. Control Panel
4. Casters
5. Louver
6. Air Outlet Grille
7. Drainage Hole
8. Air Inlet Grille (Down)
9. Exhaust Hose Joint
10. Exhaust Hose
11. Exhaust Hose Adapter
12. Window Sealing Kit
13. Small Screw



INSTALLATION INSTRUCTIONS

1. UNPACK AIR CONDITIONER

⚠ WARNING

Excessive Weight Hazard

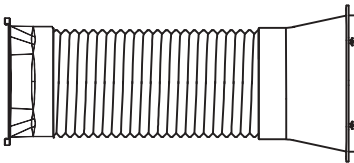
Use two or more people to move and install air conditioner.

Failure to do so can result in back or other injury.

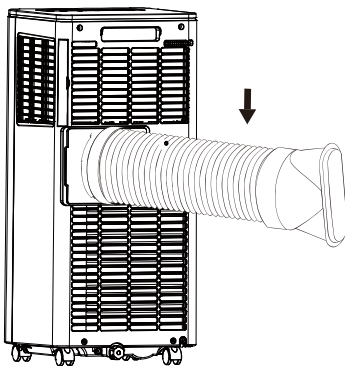
- Remove packaging materials. Save the carton and the foam packaging for storing the air conditioner when not in use.
- **NOTE:** There are NO packing materials inside the air conditioner to remove—Do Not open the cabinet.
- Properly dispose of/recycle all packing material.
- Handle the air conditioner gently.
- Keep the air conditioner upright and level. Do not set the air conditioner on its side, front, back or upside down.

2. INSTALL EXHAUST HOSE ASSEMBLY TO BACK OF UNIT

A. To assembly exhaust assembly. Extend both ends of hose approximately 4 inches. Attach the exhaust hose joint by screwing on in a counterclockwise direction. Then repeat with exhaust hose adapter.

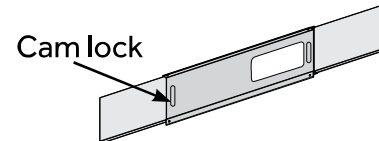


B. To attach assembly to unit, position the rectangular exhaust connection above the square exhaust port on the back of unit. Slide the connector down to connect to unit.

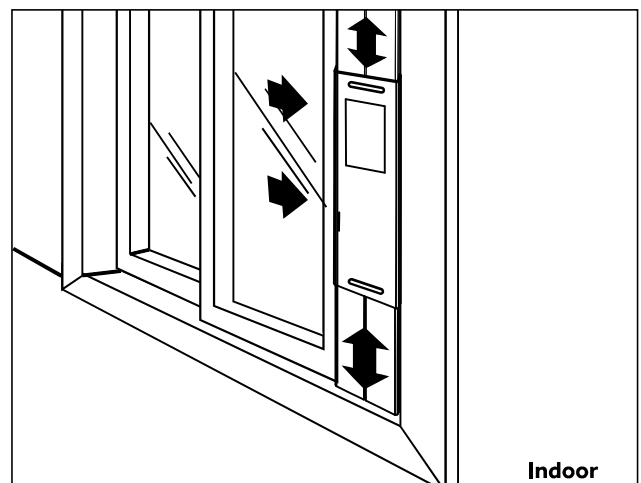
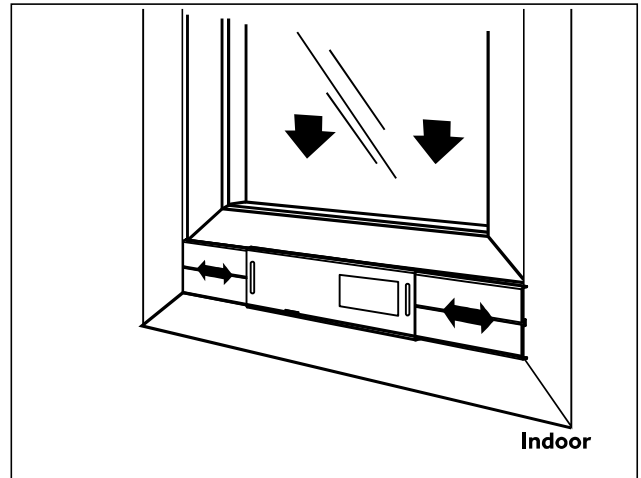


3. INSTALL WINDOW PANELS

A. Measure the window opening. For a 20" opening, use just the middle panel of the Window Kit with the opening for the Exhaust Hose Adapter. For openings from 20" to 33", insert one side panel to the middle panel, for openings from 33" to 46", insert both side panels.



B. Place the Window Kit into the window opening (the Cam Locks should be towards you) and slide the side panels (if being used) outward to fill the opening. Lock the panels in place with the Cam Locks. Apply the foam seals to the top, bottom and ends to provide the best seal. Slide the window shut against the Window Kit.

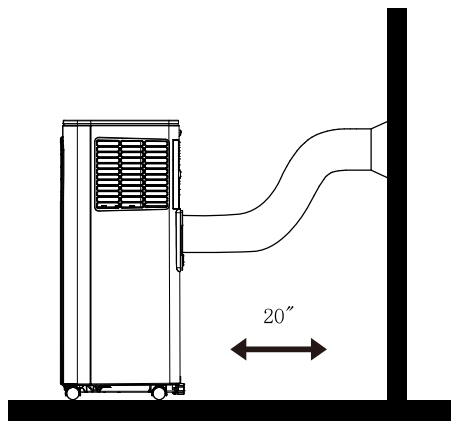
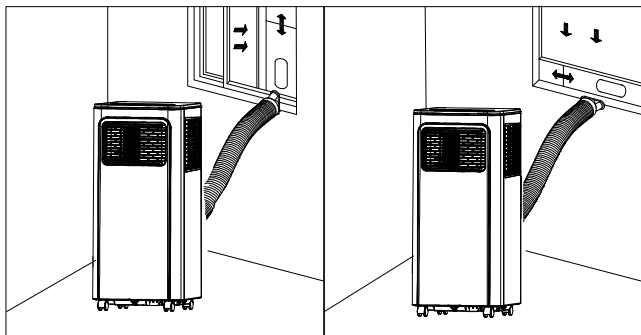


INSTALLATION INSTRUCTIONS

4. CONNECT EXHAUST HOSE TO THE WINDOW PANEL

Place the Air Conditioner close to the window ensuring there is at least 20" of clearance from the wall and any other obstructions. Extend the hose so that it reaches the Window Kit. Insert the Exhaust Hose Adapter into the opening in the Window Kit and slide it into the locking position. Ensure that the hose runs straight to the window with no excess extension.

Important: The Air Conditioner must be vented to the outside. Do not use a longer hose or extend the hose included with the Air Conditioner or the unit will not cool properly and will overheat.



5. COMPLETE INSTALLATION

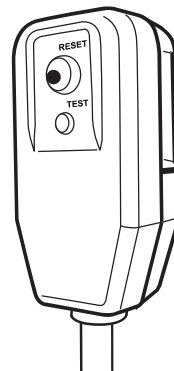
⚠ WARNING



Electrical Shock Hazard

Plug into a grounded 3 prong outlet.
Do not remove the ground prong from the power cord plug.
Do not use an adapter.
Do not use an extension cord.
Failure to do so can result in death, fire or electrical shock.

1. Plug the power cord into a grounded 3 prong outlet.
2. Press the Reset button on the plug to ensure the safety plug is providing power to the Air Conditioner.
3. Allow 20" of clearance around the Air Conditioner for proper air circulation
4. When removing the Air Conditioner, be sure to remove the Window Kit.



TROUBLESHOOTING TIPS

Problem	Possible Causes	Solution
Unit does not start or operate	Power supply cord is not plugged into an outlet.	Plug the power cord into a grounded 3 prong outlet.
	Power supply cord has tripped.	Press and release the RESET button on the power supply cord.
	The Power button has not been pressed.	Press the Power button on the Control Panel or Remote Control to turn ON the air conditioner.
	There is no power to the electrical outlet.	Plug a working lamp into the outlet to check for power.
	A household fuse has blown or a circuit breaker has tripped.	Replace the fuse or reset the circuit breaker.
	The control was programmed for a Time Delay.	Cancel the Time Delay. See "Control Panel."
	The batteries in the remote control are dead.	Replace the batteries.
	The internal water tank is full. NOTE: The air conditioner automatically turns off, and the Water Full indicator illuminates to alert you of this condition.	Empty the water tank. See "Air Conditioner Care."
Remote control is not working	Batteries are dead.	Replace the batteries.
	Batteries are installed incorrectly.	Make sure the batteries are inserted in the correct position.
Air conditioner is working but the room is not cooling.	The room temperature is hot. NOTE: On extremely hot and humid days, the air conditioner will take longer to cool the room.	Allow time for the room to cool when you first turn on the unit. Make sure the air conditioner has an adequate BTU rating for the size of the room being cooled.
	The control is set incorrectly to Fan or DRY mode.	Set the Mode to Cool and the Fan Speed to High.
	Airflow is restricted.	Remove any obstacles to the airflow and redirect airflow for uniform cooling.
	Temperature set too high.	Lower the set temperature.
	Air filters are dirty or restricted.	Clean the air filter. See "Air Conditioner Care."
	Air conditioner installed incorrectly	Check the exhaust hose and window panel for proper installation.
	Doors and windows are open.	Close the doors and windows to the room being cooled to prevent cooled air from escaping.

Error Codes

Error Codes	Meaning
E1	Abnormal sense of coil pipe sensor
E2	Abnormal sense of room temperature sensor
E4	Anti-frozen protection
FL	Full water

NOTES

LIMITED WARRANTY

For The Period Of:	Haier Appliances Will Replace:
One Year From the date of the original purchase	Replacement, repair, or refund of the original retail price for any product which fails due to a defect in materials or workmanship. If the unit is exchanged, the replacement unit is warranted for the remainder of your product's original one-year warranty period. Haier Appliances will, at its sole discretion, replace the product with a product of the same or comparable functionality and quality or refund the original retail price.

In Order to Make a Warranty Claim During the First 90 Days from the Date of Original Purchase:

- Properly pack your unit. We recommend using the original carton and packing materials.
- Return the product to the retail location where it was purchased.
- Include in the package a copy of the sales receipt or other evidence of date of original purchase. Also print your name and address and a description of the defect.

In Order to Make a Warranty Claim During the Remainder of the One-Year Warranty:

- Locate your original sales receipt and make a note of your model and serial number.
- Visit haierappliances.com to initiate the product replacement process.
- You will be asked to provide your name, address, date of purchase, model and serial number.
- Haier Appliances will arrange for a carton to be sent to your home to recover the product.
- Please return all requested materials (postage pre-paid) in the carton provided. Please include a description of the defect.
- You should receive your replacement product or refund within 7 to 10 business days after your package is received.

What Will Not Cover:

- Customer instruction. This owner's manual provides information regarding operating instructions and user controls.
- Improper installation. If you have an installation problem, or if the air conditioner is of improper capacity, contact your dealer or installer. You are responsible for providing adequate electrical connecting facilities.
- Failure of the product resulting from modifications to the product or due to unreasonable use including failure to provide reasonable and necessary maintenance.
- Replacement of house fuses or resetting of circuit breakers.
- Failure due to corrosion on models not corrosion-protected.
- Damage to the product caused by improper power supply voltage, accident, fire, floods or acts of God.
- Incidental or consequential damage caused by possible defects with this air conditioner.
- Damage caused after delivery.

EXCLUSION OF IMPLIED WARRANTIES - Your sole and exclusive remedy is product repair as provided in this Limited Warranty. Any implied warranties, including the implied warranties of merchantability or fitness for a particular purpose, are limited to one year or the shortest period allowed by law.

For US Customers: This limited warranty is extended to the original purchaser and any succeeding owner for products purchased for home use within the USA. If the product is located in an area where service by a Haier Appliances Authorized Servicer is not available, you may be responsible for a trip charge or you may be required to bring the product to an Authorized Haier Appliances Service location for service. In Alaska, the limited warranty excludes the cost of shipping or service calls to your home.

Some states do not allow the exclusion or limitation of incidental or consequential damages. This limited warranty gives you specific legal rights, and you may also have other rights which vary from state to state. To know what your legal rights are, consult your local or state consumer affairs office or your state's Attorney General.

Warrantor US:

GE Appliances, a Haier company

Louisville, KY 40225

For customers in Canada: This warranty is extended to the original purchaser and any succeeding owner for products purchased in Canada for home use within Canada.

Warrantor Canada: MC Commercial Inc., Burlington, Ontario, L7R5B6

Staple your receipt here. Proof of the original purchase date is needed to obtain service under the warranty.