



WALL HOODS

SAFETY INFORMATION3

USING THE HOOD

Controls5

Chef Connect 6

Wi-Fi Connect..... 6

CARE AND CLEANING

Filters7

Surfaces8

Lights8

INSTALLATION INSTRUCTIONS ... 9

TROUBLESHOOTING TIPS.....21

WARRANTY..... 22

ACCESSORIES 23

CONSUMER SUPPORT 24

OWNER'S MANUAL & INSTALLATION INSTRUCTIONS

UVW9301
UVW9361

Write the model and serial numbers here:

Model # _____

Serial # _____

You can find them on a label on the inside of the hood.

FRANÇAIS
Pour consulter la version française, veuillez consulter le site electromenagersge.ca/fr/

THANK YOU FOR MAKING GE APPLIANCES A PART OF YOUR HOME.

Whether you grew up with GE Appliances, or this is your first, we're happy to have you in the family.

We take pride in the craftsmanship, innovation and design that goes into every GE Appliances product, and we think you will too. Among other things, registration of your appliance ensures that we can deliver important product information and warranty details when you need them.

Register your GE appliance now online. Helpful websites and phone numbers are available in the Consumer Support section of this Owner's Manual. You may also mail in the pre-printed registration card included in the packing material.



GE APPLIANCES

IMPORTANT SAFETY INFORMATION

READ ALL INSTRUCTIONS BEFORE USING

⚠ WARNING TO REDUCE THE RISK OF FIRE, ELECTRIC SHOCK OR INJURY TO PERSONS, OBSERVE THE FOLLOWING:

- A. Use this unit only in the manner intended by the manufacturer. If you have questions, contact the manufacturer.
- B. Before servicing or cleaning unit, switch power off at service panel and lock the service disconnecting means to prevent power from being switched on accidentally. When the service disconnecting means cannot be locked, securely fasten a prominent warning device, such as a tag, to the service panel.
- C. NOT SUITABLE FOR USE WITH SOLID-STATE SPEED CONTROLS.
- D. This unit must be grounded.

⚠ CAUTION FOR GENERAL VENTILATING USE ONLY. DO NOT USE TO EXHAUST HAZARDOUS OR EXPLOSIVE MATERIALS AND VAPORS.

⚠ CAUTION TO REDUCE RISK OF FIRE AND TO PROPERLY EXHAUST AIR, BE SURE TO DUCT AIR OUTSIDE. DO NOT VENT EXHAUST AIR INTO SPACES WITHIN WALLS OR CEILINGS OR INTO ATTICS, CRAWL SPACES OR GARAGES.

⚠ WARNING TO REDUCE THE RISK OF INJURY TO PERSONS IN THE EVENT OF A RANGE TOP GREASE FIRE, OBSERVE THE FOLLOWING*:

- A. SMOTHER FLAMES with a close-fitting lid, cookie sheet or metal tray, then turn off the burner. BE CAREFUL TO PREVENT BURNS. If the flames do not go out immediately, EVACUATE AND CALL THE FIRE DEPARTMENT.
- B. NEVER PICK UP A FLAMING PAN—You may be burned.
- C. DO NOT USE WATER, including wet dishcloths or towels—a violent steam explosion will result.
- D. Use an extinguisher ONLY if:
 1. You know you have a Class ABC extinguisher, and you already know how to operate it.
 2. The fire is small and contained in the area where it started.
 3. The fire department is being called.
 4. You can fight the fire with your back to an exit.

*Based on "Kitchen Fire Safety" published by NFPA.

READ AND SAVE THESE INSTRUCTIONS

IMPORTANT SAFETY INFORMATION

READ ALL INSTRUCTIONS BEFORE USING

▲WARNING TO REDUCE THE RISK OF A RANGE TOP GREASE FIRE:

- A. Never leave surface units unattended at high settings. Boilovers cause smoking and greasy spillovers that may ignite. Heat oils slowly on medium settings.
- B. Always turn hood ON when cooking at high heat or when flambéing food (i.e. Crepes Suzette, Cherries Jubilee, Peppercorn Beef Flambé).
- C. Clean ventilating fans frequently. Grease should not be allowed to accumulate on fan or filter.
- D. Use proper pan size. Always use cookware appropriate for the size of the surface element.

▲WARNING TO REDUCE THE RISK OF FIRE, ELECTRIC SHOCK OR INJURY TO PERSONS, OBSERVE THE FOLLOWING:

- A. Installation work and electrical wiring must be done by qualified person(s) in accordance with all applicable codes and standards, including fire-rated construction.
- B. Sufficient air is needed for proper combustion and exhausting of gases through the flue (chimney) of fuel burning equipment to prevent back drafting. Follow the heating equipment manufacturer's guidelines and safety standards such as those published by the National Fire Protection Association (NFPA), the American Society for Heating, Refrigeration and Air Conditioning Engineers (ASHRAE) and the local code authorities.

- C. When cutting or drilling into wall or ceiling, do not damage electrical wiring and other hidden utilities.
- D. Ducted fans must always be vented to the outdoors.
- E. When applicable, install any makeup (replacement) air system in accordance with local building code requirements. Visit GEAppliances.com for available makeup air solutions.
- F. Turn off breaker to adjacent rooms while working.

▲WARNING TO REDUCE THE RISK OF FIRE, USE ONLY METAL DUCTWORK.

- Do not attempt to repair or replace any part of your hood unless it is specifically recommended in this manual. All other servicing should be referred to a qualified technician.

How to Remove Protective Shipping Film and Packaging Tape

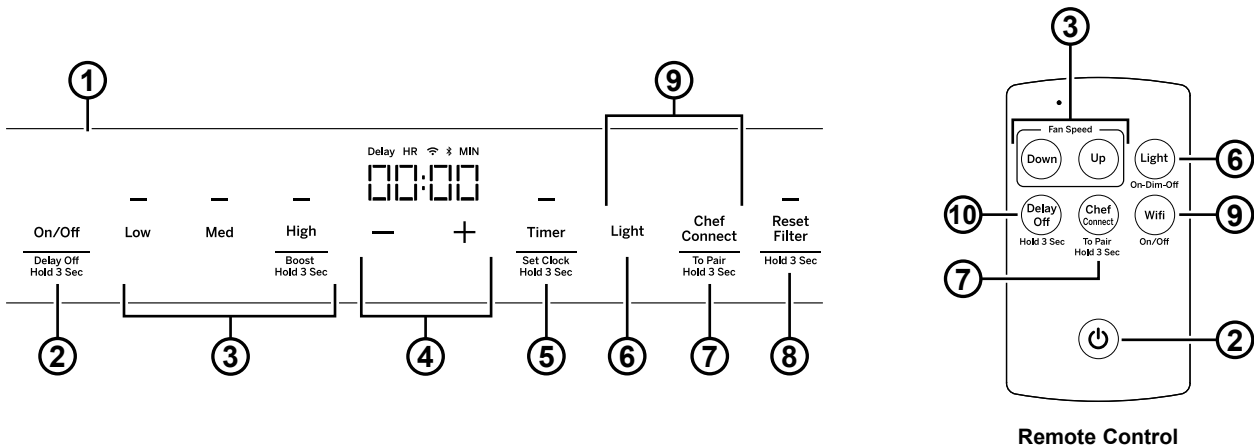
Carefully grasp a corner of the protective shipping film with your fingers and slowly peel it from the appliance surface. Do not use any sharp items to remove the film. Remove all of the film before using the appliance for the first time.

To assure no damage is done to the finish of the product, the safest way to remove the adhesive from packaging tape on new appliances is an application of a household liquid dishwashing detergent. Apply with a soft cloth and allow to soak.

NOTE: The adhesive must be removed from all parts.

NOTE: For further cleaning instructions/suggestions, please refer to the Care And Cleaning section.

READ AND SAVE THESE INSTRUCTIONS



1. **Rangehood Control Panel:** The control panel is located on the front of the canopy. The position and function of each control pad are noted below.
2. **On/Off:** On/Off switch for the fan and lighting up the display. The fan can be operated by tapping any of the fan setting pads. Hold **On/Off** pad for 3 seconds to activate Delay Off feature, which automatically turns the fan off after 15 minutes.
3. **Fan Setting:** Speed control for fan. Tap **Low** for LOW speed. **Med** for MEDIUM speed and **High** for HIGH speed. Press and hold the **High** pad for 3 seconds to activate the BOOST speed that will run for 10 minutes. On Remote, press **Up** to increase fan speed, press **Down** to decrease fan speed, including Boost.
4. **Plus and Minus:** The plus (+) and minus (-) pads control the time for the clock and the timer. To add time, tap the + pad. To subtract time, tap the - pad.
5. **Timer:** Sets a timer for cooking or sets the clock. To start the timer, tap the **Timer** pad and the clock will show "HR" and "MIN". Tap + or - to add or subtract time. Tap on the **Timer** again to start the countdown. To cancel the timer, tap the **Timer** pad again. Hold the **Timer** pad down for 3 seconds to set the clock. Tap the + or - to set the the hour. Tap on the **Timer** again to set minutes. Tap on the **Timer** again to lock in the time. Clock will sync once the unit is connected to Wi-Fi.
6. **Light:** Controls the lights. Tap the **Light** pad to turn the lights on fully. Tap the **Light** pad again and the lights will dim. Tap the **Light** pad a third time to turn off the lights.
7. **Chef Connect:** Hold the **Chef Connect** pad down for 3 seconds to activate the Bluetooth®. This is a Bluetooth® pairing feature for use with other compatible Chef Connect enabled products on a cooktop or range. When the device is paired, the light and fan will turn ON at the Default Sync Settings upon receiving a command from the range or cooktop. It will remain ON at that setting until the user changes it. See the Chef Connect section for more details.
8. **Reset Filter:** The red LED indicator above the Reset Filter pad turns on as a reminder to change /clean the filter. Hold the **Reset Filter** pad for 3 seconds to turn off. Tap the **Reset Filter** pad again to begin recalculating the time. While this indicator reminds user to change/clean filters, the filters should be cleaned regularly. Please refer to the Filters section.
9. **Wi-Fi:** Hold down the **Light** and **Chef Connect** pads for three seconds to activate the Wi-Fi connect mode. The Wi-Fi symbol above the clock blinks for 3 seconds and then becomes solid. See the Wi-Fi section for more details. On Remote, press **Wi-Fi** to toggle Wi-Fi function.
10. **Delay Off (Remote only):** Press and hold **Delay Off** to toggle Delay Off function.

Chef Connect

Chef Connect Operation Bluetooth® Connection

To pair with another device:

To start the pairing process on the hood, press and hold the **Chef Connect** button for 3 seconds. The backlight for all the icons will light up until the hood is paired with the range or other device. If the pairing is successful, the Bluetooth® symbol above the clock will turn on and become solid.

It will time out after 2 minutes if the pairing is not completed, after which the pairing sequence will need to be restarted.

To cancel pairing:

To cancel the pairing, hold the **Chef Connect** button down for 3 seconds and then turn off the hood.

Default Sync Settings:

The factory default setting for the light will be the brightest.

The factory default setting for the fan sync will be OFF.

The user can change the Default Sync Settings by pressing and holding the **Low** button for 3 seconds. This will enter the Default Settings Mode. Once in this mode, the backlights for all buttons will blink on/off indefinitely and the fan and light will switch to the current Default Sync Setting, so the user knows what the current default value is. At this time, set the light and fan to the desired default levels. Once the user is satisfied with the selection, press and hold the **Off** button for 3 seconds. This will exit this mode. At that time the backlights will stop blinking and the state of the fan and light will change back to their prior state before entering the Default Settings Mode.

Wi-Fi Connect

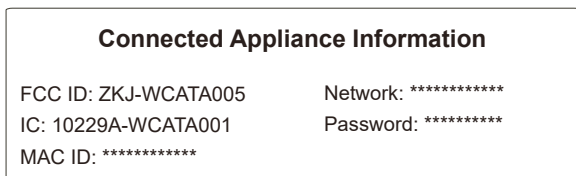
Connecting your Wi-Fi Connect Enabled hood (on some models)

Your GE Appliances hood is designed to provide you with two-way communication between your appliance and smart device. By using the GE Appliances Wi-Fi Connect features, you will be able to control essential hood operations such as fan speed, light functions, timer/clock function, delay off and filter reset using your smartphone or tablet.*

What you will need

Your GE Appliances hood uses your existing home Wi-Fi network to communicate between the appliance and your smart device. In order to setup your GE Appliances hood, you will need to gather some information:

1. Each GE Appliances hood has a connected appliance information label that includes an Appliance Network Name and Password. These are the two important details that you will need to connect to the appliance. The label is located on the side of the unit behind the filters.



Sample Label

2. Have your smart phone or tablet ready with the ability to access the internet and download apps.
3. You will need to know the password of your home Wi-Fi router. Have this password ready while you are setting up your GE Appliances hood.

Connect your GE Appliances hood

1. On your smart phone or tablet visit www.GEAppliances.com/connect to learn more about connected appliance features and to download the appropriate app.
2. Follow the app onscreen instructions to connect your GE Appliances hood.
3. Once the process is complete, the connection light located on your GE Appliances hood display will stay on solid and the app will confirm you are connected.
4. If the connection light does not turn on or is blinking, follow the instructions on the app to reconnect. If issues continue please call 800.220.6899 and ask for assistance regarding hood wireless connectivity.

To connect additional smart devices, repeat steps 1 and 2.

Note that any changes or modifications to the remote enable device installed on this hood that are not expressly approved by the manufacturer could void the user's authority to operate the equipment.

* Compatible Apple or Android devices and home Wi-Fi network required.

Filters

Be sure the circuit breaker is off and all surfaces are cool before cleaning or servicing any part of the vent hood.

Metal Grease Filter

The metal filters trap grease during cooking.

The filters must ALWAYS be in place when the hood is in use. The grease filters are dishwasher-safe and should be cleaned every month, depending on the usage of the hood.

To remove:

Open the filter cover panel and disengage the filter lock to release the filter.

To replace:

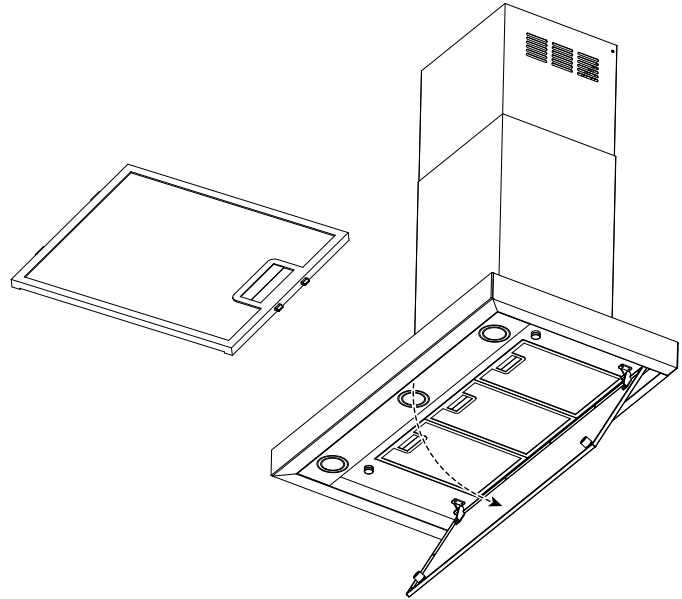
Fit the tabs at the bottom of the filter into the slots in the back of the filter opening. Lift up the front side of the filter and push gently until the filter locks into place. Make sure the filter lock is in the closed position to secure the filter.

NOTE: The front panel covers the filters and must be pressed up and then pulled down to access the filters.

To clean:

Swish the filter in hot soapy water and rinse in clean water or wash it in the dishwasher. Do not use abrasive cleansers.

NOTE: Some discoloration of the filter may occur in the dishwasher.



Charcoal Filter (for recirculation installation only)

If the model is not vented to the outside, the air needs to be recirculated through a disposable charcoal filter that helps remove smoke and odors.

NOTE: DO NOT rinse, or put charcoal filter in an automatic dishwasher.

The charcoal filter is included with the unit. It cannot be cleaned, it must be replaced when Reset Filter LED indicator comes on. It is recommended that the charcoal filter be replaced every 6 months or if it is noticeably dirty or discolored.

Order Charcoal Filter UXCF91

To inquire about purchasing replacement charcoal filters or to find the location of a dealer nearest you, please call our toll-free number:

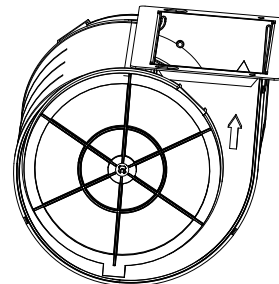
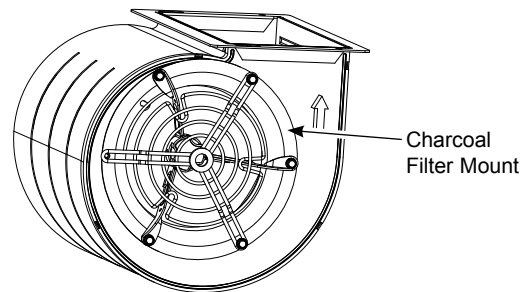
National Parts Center 800.626.2002
In Canada, call 800.661.1616.

To install:

1. Remove the metal filters—see Metal Grease Filter section.
2. Install the charcoal filter mounts to either side of the motor using three screws per side.
3. Insert the tab on the charcoal filter into the triangular slot on the mount.
4. Clip the charcoal filter in until it is locked.
5. Repeat with second filter on the other side of the motor.
6. Replace the metal filters - See Metal Grease Filter section.

To remove:

1. Remove the metal filters—see Metal grease filter section.
2. Unclip the charcoal filter by pressing the release clip.
3. Carefully remove charcoal filter from tab.



Surfaces

Stainless Steel Surfaces (on some models)

Do not use a steel wool pad; it will scratch the surface.

To clean the stainless steel surface, use warm sudsy water or a stainless steel cleaner or polish. Always wipe the surface in the direction of the brush line. Follow the cleaner instructions for cleaning the stainless steel surface. Cleaners with oxalic acid such as **Bar Keepers Friend Soft Cleanser™** will remove surface rust, tarnish, and small blemishes. To receive a coupon for a trial sample of **Bar Keepers Friend Soft Cleanser™** follow the link below or scan the QR Code.



www.barkeepersfriend.com/ge

Use only a liquid cleanser free of grit and rub in the direction of the brush lines with a damp soft sponge.

To inquire about purchasing stainless steel appliance cleaner or polish, or to find the location of a dealer nearest you, please call our toll-free number:

National Parts Center
800.626.2002

GEApplianceParts.com

In Canada, call 800.661.1616 or visit geappliances.ca.

Painted Surfaces and Black Stainless Color (on some models)

Do not use a steel wool pads or other abrasive cleaners; they will scratch the surface.

Clean grease-laden surfaces of the hood frequently. To clean the hood surface, use a hot, damp cloth with a mild detergent suitable for painted surfaces. About one tablespoon of ammonia may be added to the water. Use a clean, hot, damp cloth to remove soap. Dry with a dry, clean cloth.

NOTE: When cleaning, take care not to come in contact with filters and other surfaces.

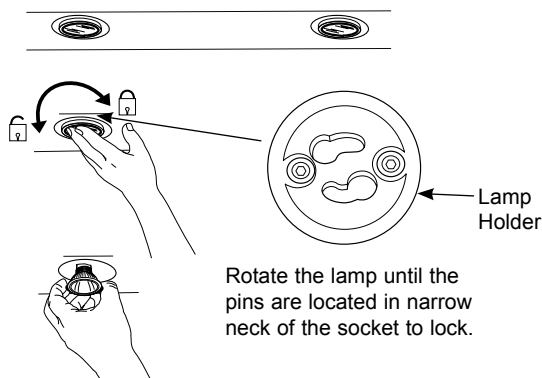
CAUTION When cleaning the hood surfaces, be certain that you do not touch the light with moist hands or cloth. A warm or hot light may break if touched with a moist surface. Always let the light cool completely before cleaning around it.

Lights

CAUTION Allow lights to cool before touching.

1. Before attempting to replace the lights, make sure that the light switch is turned off.
2. Rotate light counterclockwise to unlock and pull out. Wearing latex gloves may offer a better grip.
3. Replace with new light of same type, making sure pins are inserted properly into the sockets of the lamp holder and turn clockwise to lock.

All lamps need to be GU10 compatible.



Installation Instructions

Wall Hoods
 UVW9301, UVW9361

? "If you have questions, call GE Appliances at 800.GE.CARES (800.432.2737) or visit our website at: GEAppliances.com".
 In Canada, call 800.561.3344 or visit geappliances.ca.

BEFORE YOU BEGIN

Read these instructions completely and carefully.

- **IMPORTANT** — Save these instructions for local inspector's use.
- **IMPORTANT** — Observe all governing codes and ordinances.
- **Note to Installer** – Be sure to leave these instructions with the Consumer.
- **Note to Consumer** – Keep these instructions for future reference.
- **Skill level** – Installation of this vent hood requires basic mechanical and electrical skills.
- **Completion time** – Approximately 1 to 3 hours
- Proper installation is the responsibility of the installer.
- Product failure due to improper installation is not covered under the Warranty.

▲ CAUTION Due to the weight and size of these vent hoods and to reduce the risk of personal injury or damage to the product, **TWO PEOPLE ARE REQUIRED FOR PROPER INSTALLATION.**

FOR YOUR SAFETY

▲ WARNING Before beginning the installation, switch power off at service panel and lock the service disconnecting means to prevent power from being switched on accidentally. When the service disconnecting means cannot be locked, securely fasten a prominent warning device, such as a tag, to the service panel.

▲ WARNING TO REDUCE THE RISK OF FIRE, ELECTRIC SHOCK OR INJURY TO PERSONS, OBSERVE THE FOLLOWING:

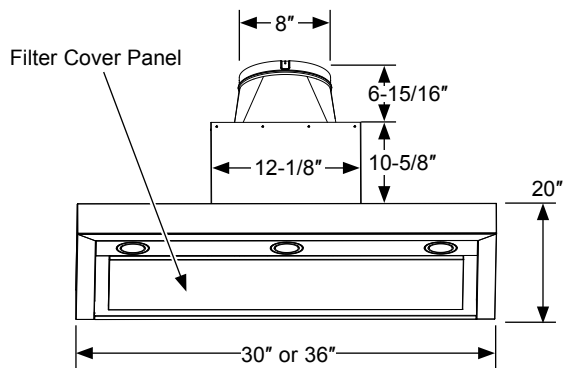
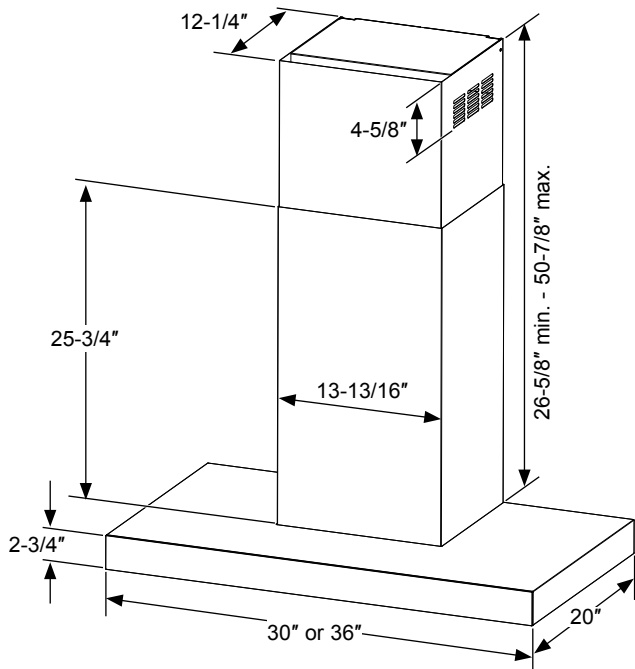
- A. Installation work and electrical wiring must be done by qualified person(s) in accordance with all applicable codes and standards, including fire-rated construction.
- B. Sufficient air is needed for proper combustion and exhausting of gases through the flue (chimney) of fuel burning equipment to prevent back drafting. Follow the heating equipment manufacturer's guidelines and safety standards such as those published by the National Fire Protection Association (NFPA), the American Society for Heating, Refrigeration and Air Conditioning Engineers (ASHRAE) and the local code authorities.
- C. When cutting or drilling into wall or ceiling, do not damage electrical wiring and other hidden utilities.
- D. Ducted fans must always be vented to the outdoors.
- E. Turn off breaker to adjacent rooms while working.

▲ WARNING TO REDUCE THE RISK OF FIRE, USE ONLY METAL DUCT WORK.

▲ WARNING Disconnect all electrical power at the main circuit breaker or fuse box before installing.

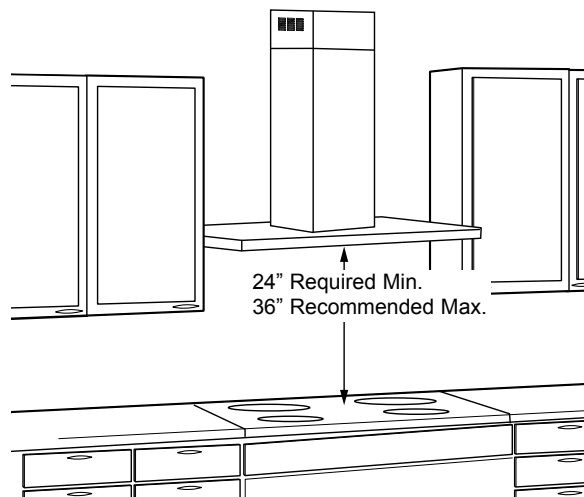
Installation Preparation

PRODUCT DIMENSIONS



INSTALLATION CLEARANCES

These vent hoods are designed to be installed onto a wall with no above cabinets.



The vent hood must be installed between the 24" required minimum and 36" recommended maximum above the cooking surface. For supplied duct cover ceiling heights, see Installation Height Table.

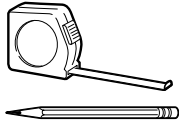
NOTE: Installation height should be measured from the cooking surface to the lowest part of the hood. The hood must be installed onto a wall. It can be vented to the outdoors, or it can be installed for recirculating operation. For recirculation operation, see Recirculation Install Planning.

Installation instructions, describing the intended mounting and wiring of the range hood cord connection kit, shall be provided with each range hood cord connection kit.

1" = 2.5 cm

Installation Preparation

TOOLS AND MATERIALS REQUIRED (NOT SUPPLIED)



Pencil and tape measure



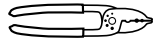
Safety glasses



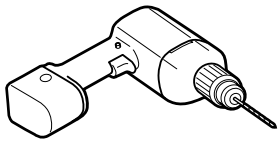
Phillips screwdriver



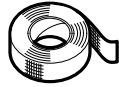
Level



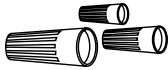
Wire cutter/stripper



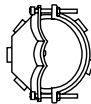
Electric drill with #2 Phillips and 1/8" drill bits



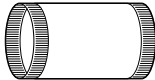
Aluminized duct tape



UL listed wire nuts



Strain relief for junction box



8" round duct (length will vary)



Gloves

PLAN THE INSTALLATION

▲ CAUTION To reduce risk of fire and to properly exhaust air, be sure to duct the air outside. Do not vent exhaust air into spaces within walls or ceilings or into attics, crawl spaces, or garages.

PARTS SUPPLIED FOR INSTALLATION

- 1 Hardware Package
- 1 Literature Package
- Recirculation Duct (for recirculation install only)
- Charcoal filters (recirculation mode)

PARTS NEEDED FOR INSTALLATION

- 1 Strain Relief
- 1 Wall or Roof Cap (for ducted venting only)
- All Metal Ductwork (for ducted venting only)

▲ WARNING

PERSONAL INJURY HAZARD

Because of the weight and size of the rangehood canopy. It is recommended that 2 people are used to install the range hood. Failure to properly lift rangehood could result in damage to the product or personal injury.

NOTE: This rangehood can be installed as either ducted or recirculation. In a ducted application, this rangehood can be vented through the wall or ceiling. When installed for recirculation, the rangehood vents out the sides of the duct cover.

NOTE: Before making any cuts or holes for installation, determine which venting method will be used and carefully calculate all measurements.

REMOVE THE PACKAGING

▲ CAUTION Wear gloves to protect against sharp edges.

- Remove the duct covers.
- Remove the hardware bag, literature package and other boxed parts.
- Remove and properly discard the protective plastic wrapping and other packaging materials.

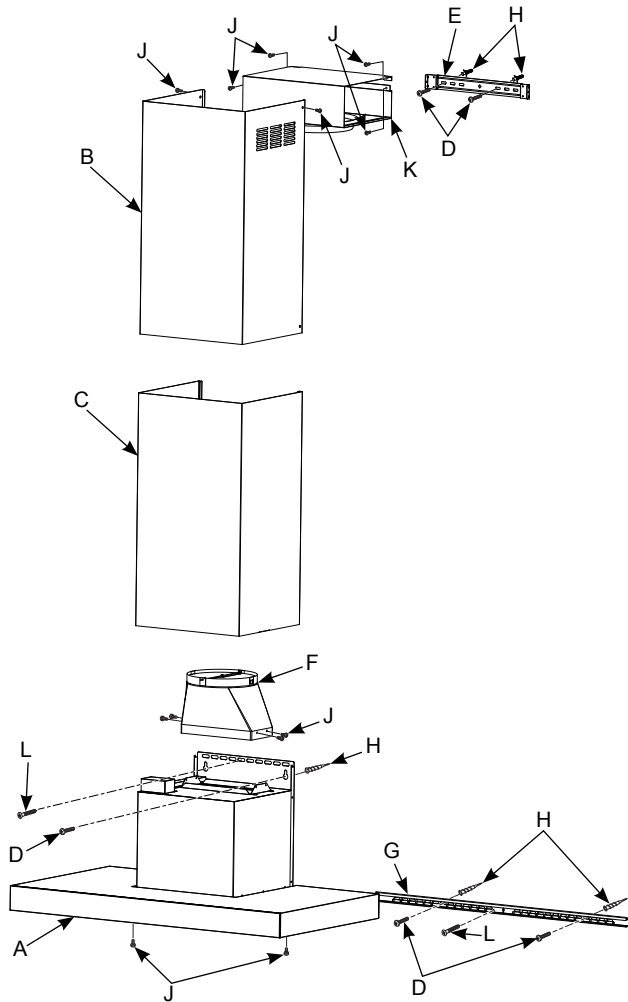
USE ONLY WITH RANGE HOOD CORD CONNECTION KITS THAT HAVE BEEN INVESTIGATED AND FOUND ACCEPTABLE FOR USE WITH THIS MODEL RANGE HOOD.

1" = 2.5 cm

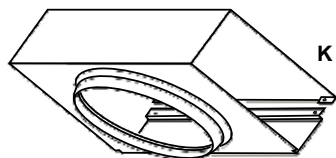
Installation Preparation

RANGE HOOD COMPONENTS

- A. Wall Hood
- B. Upper Duct Cover
- C. Lower Duct Cover
- D. Mounting Screws
- E. Duct Cover Mounting Bracket
- F. Damper
- G. Hood Mounting Bracket
- H. Mounting Anchors
- J. Machine Screws
- K. Recirculation Box
- L. Wood Screws

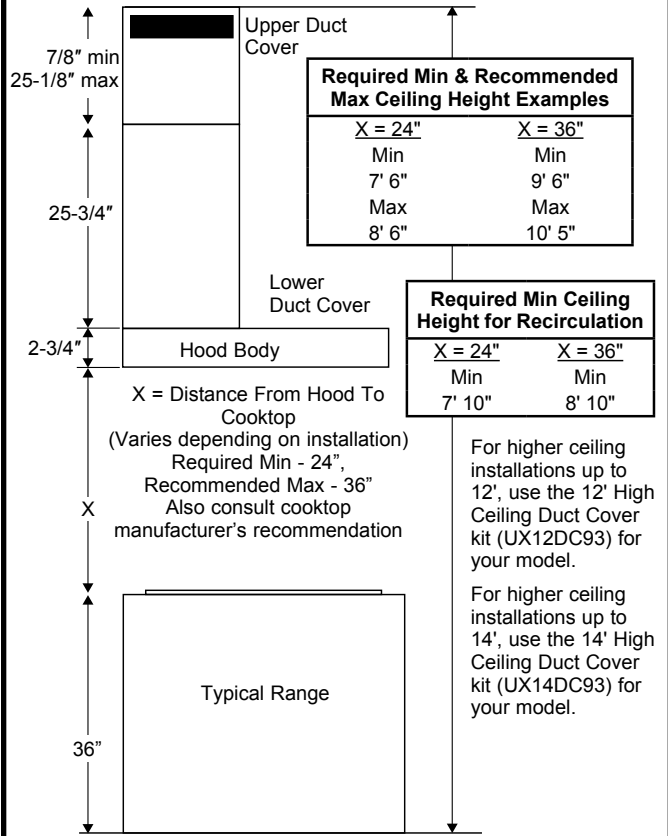


RECIRCULATION COMPONENTS



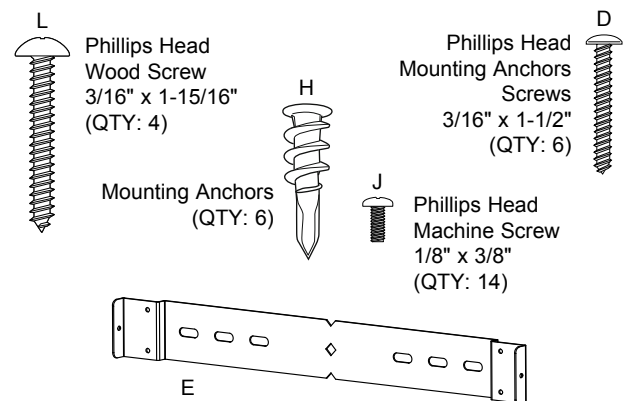
INSTALLATION DIMENSIONS

The Wall Hoods duct covers can be adjusted for different ceiling heights depending on the distance between the bottom of the hood and the cooktop (distance X). See Installation Height Table.



HARDWARE COMPONENTS

NOTE: The chimney extension replaces the upper and lower chimney shipped with the range hood. The hardware included with the hood should be saved and also used with the chimney extension.



1' = 0.3 m; 1" = 2.5 cm

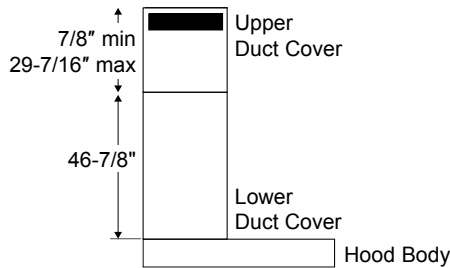
Installation Preparation

INSTALLATION HEIGHT TABLE

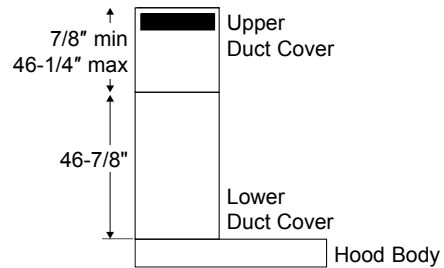
Installation Height with Supplied Duct Covers				(UX12DC93SS or UX12DC93TS)		(UX14DC93SS or UX14DC93TS)	
				Optional High Ceiling Duct Cover up to 12 ft. (not included with unit)		Optional High Ceiling Duct Cover up to 14 ft. (not included with unit)	
Ceiling Height (ft./in.)	Possible Vented Install Height (in.)	Possible Vented Install Height (Recirculation vented Holes Hidden) (in.)	Possible Recirculation Install Height (in.)	Ceiling Height (ft./in.)	Vented and Recirculation Height (in.)	Ceiling Height (in.)	Vented and Recirculation Install Height (in.)
7' 6"	24	24		9' 3"	24	12'	24-36
7' 7"	24-25	24-25		9' 4"	24-25	12' 1"	24-36
7' 8"	24-26	24-26		9' 5"	24-26	12' 2"	24-36
7' 9"	24-27	24-27		9' 6"	24-27	12' 3"	24-36
7' 10"	24-28	24-28	24	9' 7"	24-28	12' 4"	24-36
7' 11"	24-29	24-29	24-25	9' 8"	24-29	12' 5"	24-36
8'	24-30	24-30	24-26	9' 9"	24-30	12' 6"	24-36
8' 1"	24-31	24-31	24-27	9' 10"	24-31	12' 7"	24-36
8' 2"	24-32	24-32	24-28	9' 11"	24-32	12' 8"	24-36
8' 3"	24-33	24-33	24-29	10'	24-33	12' 9"	24-36
8' 4"	24-34	24-34	24-30	10' 1"	24-34	12' 10"	24-36
8' 5"	24-35	24-35	24-31	10' 2"	24-35	12' 11"	24-36
8' 6"	24-36	24-36	24-32	10' 3"	24-36	13'	24-36
8' 7"	24-36	24-36	24-33	10' 4"	24-36	13' 1"	25-36
8' 8"	24-36	24-36	24-34	10' 5"-11' 3"	24-36	13' 2"	26-36
8' 9"	24-36	24-36	24-35	11' 4"	24-36	13' 3"	27-36
8' 10"	24-36	24-36	24-36	11' 5"	24-36	13' 4"	28-36
8' 11"	24-36	24-36	24-36	11' 6"	24-36	13' 5"	29-36
9'	24-36	24-36	24-36	11' 7"	24-36	13' 6"	30-36
9' 1"	24-36	24-36	24-36	11' 8"	25-36	13' 7"	31-36
9' 2"	24-36	25-36	24-36	11' 9"	26-36	13' 8"	32-36
9' 3"	24-36	26-36	24-36	11' 10"	27-36	13' 9"	33-36
9' 4"	24-36	27-36	24-36	11' 11"	28-36	13' 10"	34-36
9' 5"	24-36	28-36	24-36	12'	29-36	13' 11"	35-36
9' 6"	25-36	29-36	25-36			14'	36
9' 7"	26-36	30-36	26-36				
9' 8"	27-36	31-36	27-36				
9' 9"	28-36	32-36	28-36				
9' 10"	29-36	33-36	29-36				
9' 11"	30-36	34-36	30-36				
10'	31-36	35-36	31-36				
10' 1"	32-36	36	32-36				
10' 2"	33-36		33-36				
10' 3"	34-36		34-36				
10' 4"	35-36		35-36				
10' 5"	36		36				

*Based on a 36" electric range height.

For gas range, start chart at 92" and subtract 2" for the maximum install height for each block.



12" High Ceiling Duct Cover Kit



14" High Ceiling Duct Cover Kit

1' = 0.3 m; 1" = 2.5 cm

Installation Preparation

ADVANCE PLANNING

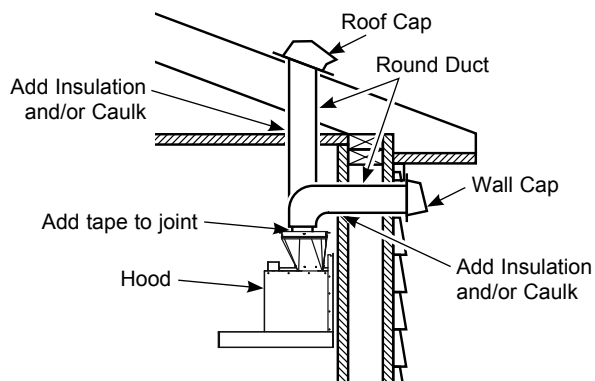
Duct Install Planning

- This hood is designed to be vented vertically through the ceiling. Use an 8" round duct. Use locally supplied elbows to vent horizontally through the rear wall.
- Use metal ductwork only.
- Determine the exact location of the vent hood.
- Plan the route for venting exhaust to the outdoors. To maximize the ventilation performance of the vent system:
 1. Minimize the duct run length and number of transitions and elbows.
 2. Maintain a constant duct size.
 3. Seal all joints with duct tape to prevent any leaks.

NOTE: Flexible vent is not recommended. Flexible vent creates back pressure and air turbulence that greatly reduces performance.

- Maximum equivalent duct length for 100 CFM: 150 foot for vent hoods.
- Install a wall cap or roof cap with damper at the exterior opening. Purchase the wall or roof cap and any transition and length of duct needed in advance.
- When applicable, install any makeup (replacement) air system in accordance with local building code requirements. Use makeup air kit JXMUA8.

Vent system can terminate either through the roof or the wall. To vent through a wall, a 90° elbow is needed and installed immediately above the hood.



Recirculation Install Planning

A recirculation duct (included) and charcoal filter (included) are necessary for recirculation installation.

Power Supply Planning

The location of the power supply connection is called out in the Installing The Hood Bracket Mount section.

POWER SUPPLY

IMPORTANT – (Please read carefully)

⚠ WARNING

FOR PERSONAL SAFETY, THIS APPLIANCE MUST BE PROPERLY GROUNDED.

Remove house fuse or open circuit breaker before beginning installation.

Do not use an extension cord or adapter plug with this appliance. Follow National Electrical Codes or prevailing local codes and ordinances.

Electrical supply

These vent hoods must be supplied with 120V, 60Hz, and connected to an individual, properly grounded branch circuit, and protected by a 15 or 20 amp circuit breaker or time delay fuse.

- Wiring must be 2 wire with ground.
- If the electrical supply does not meet the above requirements, call a licensed electrician before proceeding.
- Route house wiring as close to the installation location as possible in the ceiling or wall.
- Connect the wiring to the house wiring in accordance with local codes.

Grounding instructions

The grounding conductor must be connected to a ground metal, permanent wiring system, or an equipment-grounding terminal or lead on the hood.

⚠ WARNING

The improper connection of the equipment-grounding conductor can result in a risk of electric shock. Check with a qualified electrician or service representative if you are in doubt whether the appliance is properly grounded.

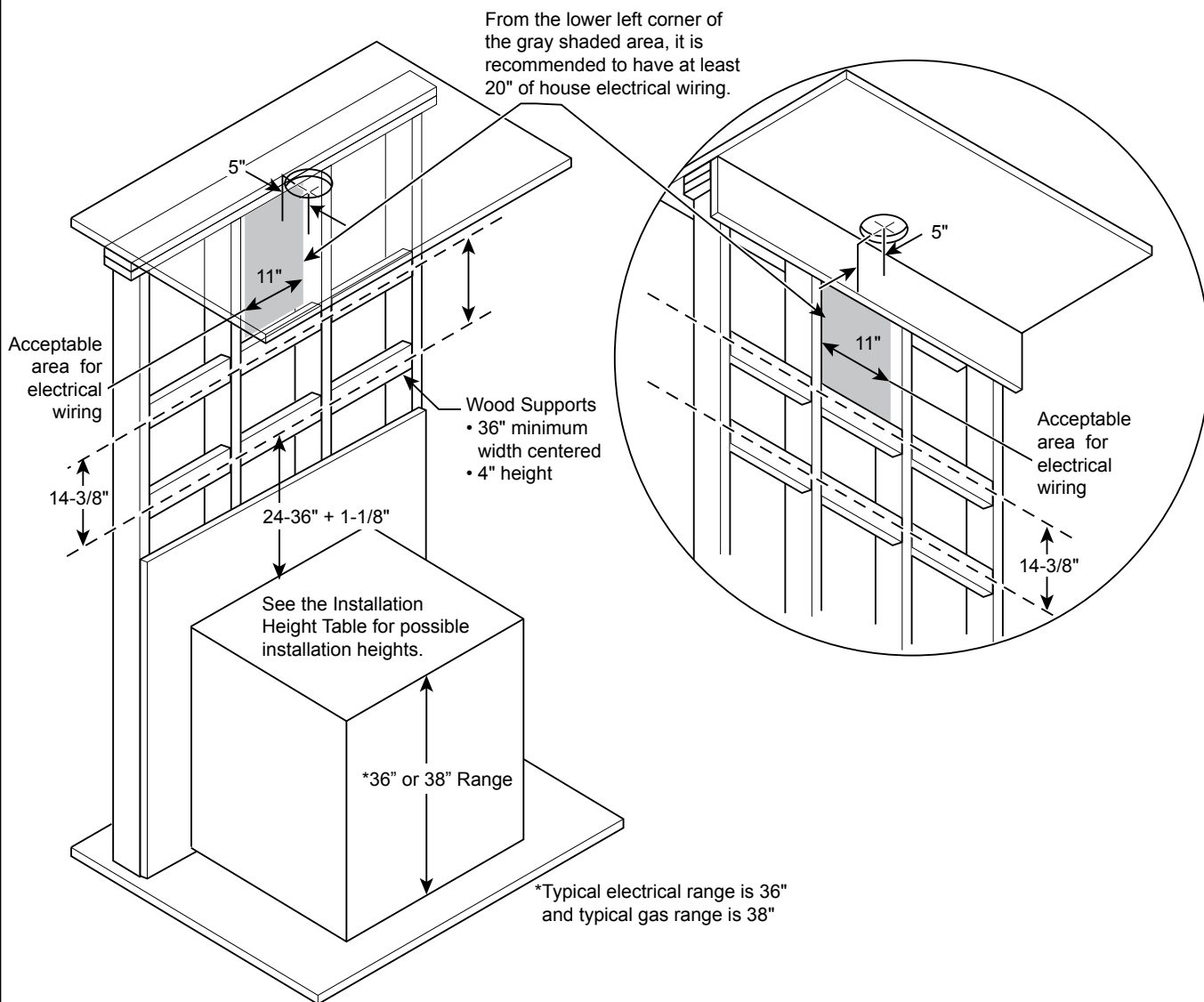
1" = 2.5 cm

Installation

NEW CONSTRUCTION, PRE-PLANNING, OR REMODELING

NOTE: For existing construction, skip to the section, Installing The Hood Bracket Mount.

- Install horizontal wood supports between 2 wall studs that align with the vertical mounting height locations shown in the illustration.
- The horizontal supports must be flush with the room side studs.
- For ducted installation, the hole for the duct in the ceiling must be centered 5" away from the finished rear wall.
- The bottom support aligns with the hood mounting bracket. This height depends on the desired height of the hood.
- The top support must be flush with the ceiling.
- The electrical wiring can be located 5-1/2" to the left or right (junction box is on the left) of the centerline. Must remain 7/16" above the back panel and 5" from the ceiling, refer to illustration on next page.



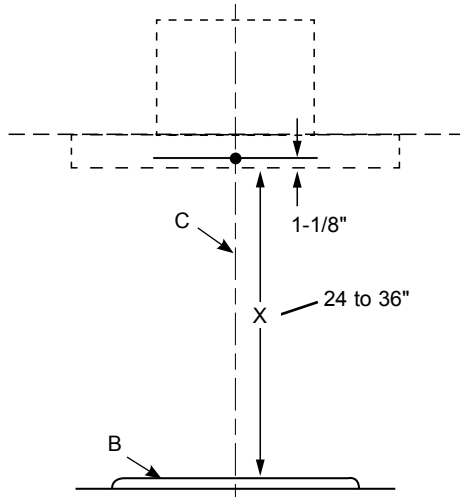
1" = 2.5 cm

Installation

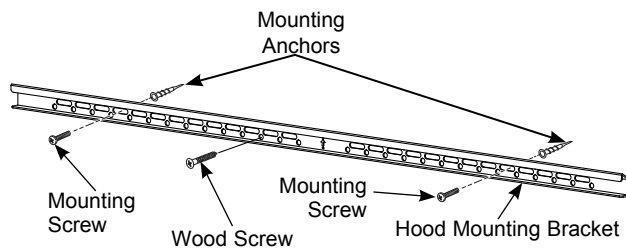
INSTALLING THE HOOD BRACKET MOUNT

Hood Body

1. Put a protective covering over the surface below the location of the hood to protect from dirt and/or damage.
2. Determine and mark the centerline (C) on the wall (draw line up to the ceiling) where the range hood will be installed. Based on the ceiling height, determine the distance between 24" required min, 36" recommended max (X) needed between the cooking surface (B) and the bottom of the hood. Draw a horizontal line at X. Align the install template so that the bottom of the template is centered and is level with the horizontal line drawn at height X.

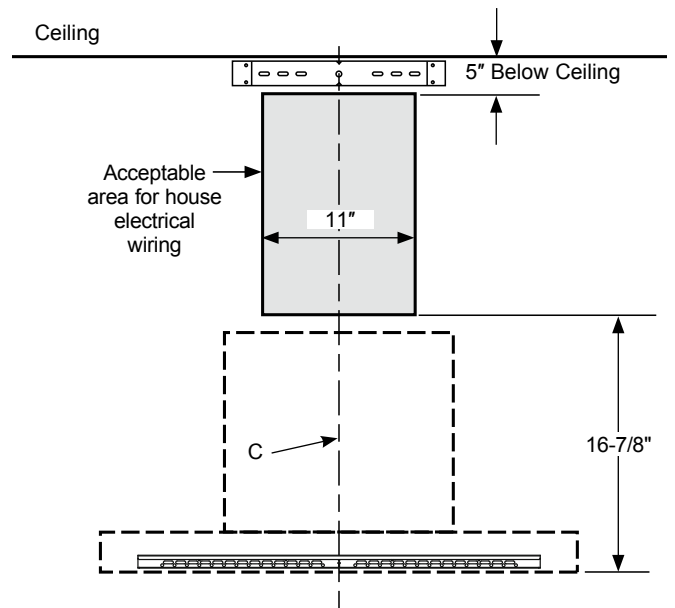


3. Find the stud locations and mark them on the template.
4. Place the hood mounting bracket (G) on its outline on the template. Mark at least one wood screw (L) location that is on a stud. If another stud cannot be found, mark at least two other screw locations for mounting anchors, one on each side of the wood screw (L). Remove the bracket from the wall and install the mounting anchors (H). Place the hood mounting bracket (G) back on the wall and mount it with the wood screws (L) and mounting screws (D) as needed. It is recommended to create a pilot hole in the studs for wood screws (L).



Duct Covers and Power Supply

1. Place the duct cover bracket (E) on the wall so that its edge is against the ceiling and level, making sure the slots are in direct contact with the wall. Align the center notches of the bracket and the centerline. Mark the location of the screw holes furthest apart from the center line if possible. If one of the screw holes aligns with a stud, then a wood screw will be used for that location. For the other hole or if there are no studs, install 2 mounting anchors (H). Place the duct cover bracket (E) on the wall and install with wood screws (L) and mounting screws (D) as needed.
2. The house electrical wiring must fall in the gray shaded area shown below. From the lower left corner of the shaded area, a minimum of 20" of house electrical wiring is recommended to reach the electrical junction box on the hood.

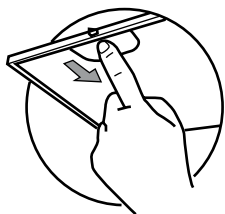


1" = 2.5 cm

Installation

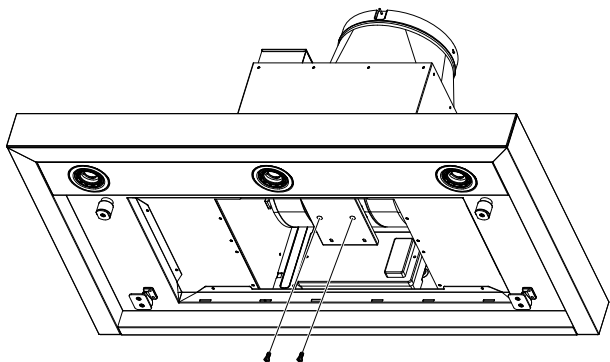
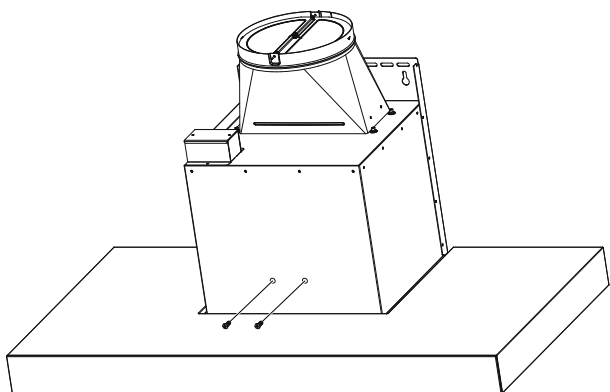
INSTALLING THE HOOD

Remove the grease filters from the unit and set aside. The grease filters are removed by pressing the handle in the front of the filter. When replacing, make sure that the filters are properly positioned with the handles in front and visible.

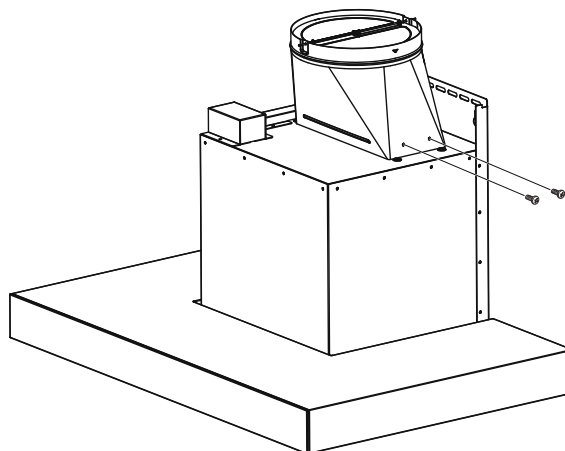


NOTE: On some models, the front panel covers the filters and must be pulled down to access the filters.

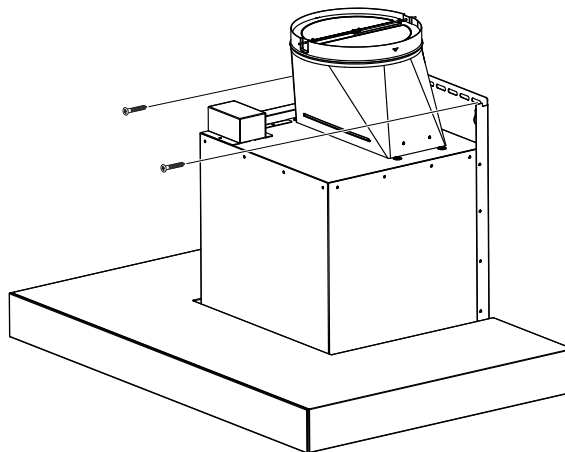
NOTE: This bracket must be removed prior to installation. Remove 2 front and 2 bottom screws per illustration bellow.



1. Securely press the damper on top of the exhaust opening. Check that the damper opens freely. Attach damper to hood using machine screws (J) provided.



2. Remove and properly discard the protective plastic wrapping from the hood and grease filter. Remove the template off the wall.
3. Mount the Range Hood:
 - Using 2 or more people, lift the range hood and place on the hood mounting bracket. Make sure the bracket fully engages the hood body.
 - Install the 2 mounting screws (D) or wood screws (L) as needed into the designated holes on the back panel.

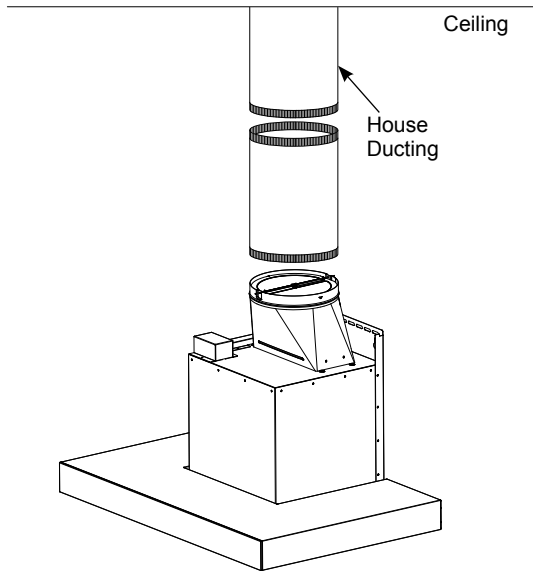


Installation

INSTALLING THE HOOD (Cont.)

A Vented Installations

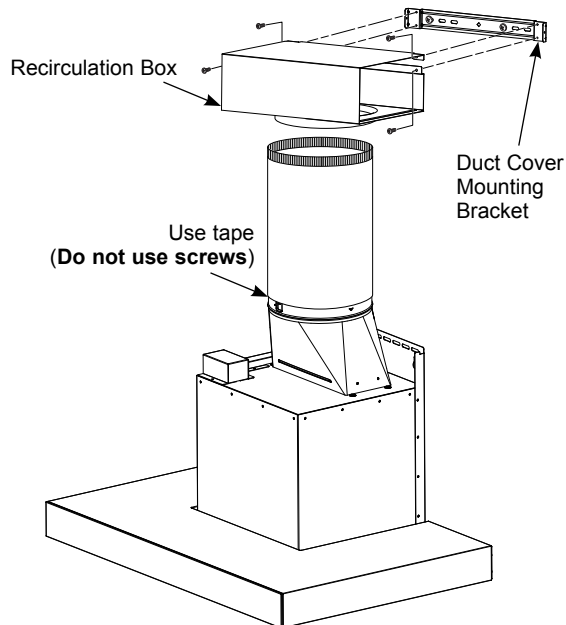
Connect the house ducting to the damper on the hood body. Seal all connections with duct tape (Do not use screws).



B Recirculation (Non-vented)

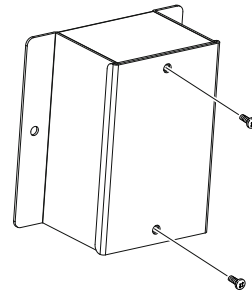
NOTE: A recirculation box, a charcoal filter, and a bracket are included with the hood and are necessary for recirculation installation.

1. Attach the recirculation box to the duct over mounting bracket with 4 machine screws (J).
2. Connect the ducting from the exhaust outlet on the hood to the recirculation box. Use duct tape to seal the connections on the recirculation box and the exhaust outlet.

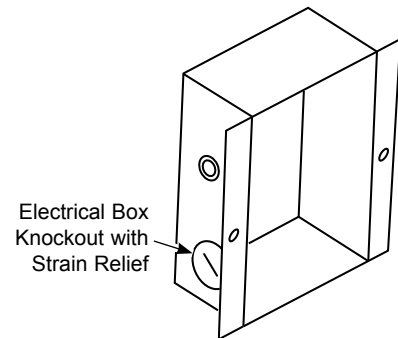


ELECTRICAL CONNECTION

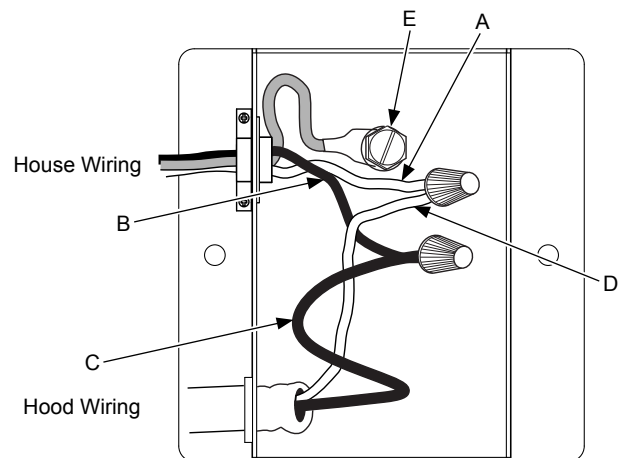
1. Remove the electrical junction box cover.



2. Remove the electrical box knockout.



3. Feed the Power Supply Cable through the hole and secure with a strain relief.
4. Attach the white lead of the power supply (A) to the white lead of the range hood (D) with a wire nut. Attach the black lead of the power supply (B) to the black lead of the range hood (C) with a wire nut. Connect the house ground wire under the green grounding screw (E).



5. Reattach the electrical junction box cover.

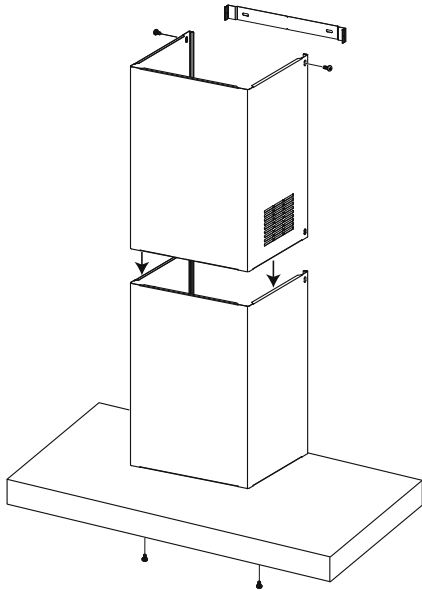
INSTALL DUCT COVERS

1. **For ducted and recirculation installation:**
Remove protective film from duct covers. Place the upper duct cover so that it slides down inside of the lower duct cover.

NOTE: For recirculation, the upper duct cover must be installed with the exhaust vents on the top towards the ceiling.

Depending on the amount of overlap between the top and bottom duct covers, the top may be reversed to hide vent holes. Refer to Installation Height Table for possible heights.

Place the set of duct covers by sitting them down to fit securely on top of the hood. Finish attaching the lower duct cover to the body of the hood with two machine screws (J) that screw from up underneath the hood.



2. Install the upper duct cover by carefully raising it up to avoid scratching until it reaches the ceiling. Push the duct cover flush against the wall, then use two machine screws (J) to mount the upper duct to the duct mounting bracket.
3. If recirculating, install the charcoal filters. Then reinstall the grease filters to the hood, see the Filters section.
4. Turn the power supply on. Turn on the blower and light. If the range hood does not operate, check that the circuit breaker is not tripped or the house fuse blown. If the unit still does not operate, disconnect the power supply and check that the wiring connections have been made properly.

Installation

MAKE UP AIR TECHNOLOGY

Note to Installers and Inspectors: This product comes equipped with a simple installation feature that limits maximum CFM levels in order to comply with certain local codes or regulations. This installation method may not be necessary for all installations, please refer to your local codes for further guidelines.

⚠ CAUTION Hood must be disconnected from main power prior performing the conversion instructions listed below. Failure to do so could result in personal injury or damage to the product.

To modify unit (if needed for local codes):

390CFM or 290CFM

By design, the maximum blower speed is greater than 400 CFM. For local codes requiring reduced CFM, modify the wiring as described below:

1. Open the filter cover panel and remove the filters.
2. Remove the control board box cover.
3. Locate the motor harness plugged into the control board.

**4. A - For a maximum of 390 CFM
Unit can operate with 4 speeds
(Low, Medium, High, Boost).**

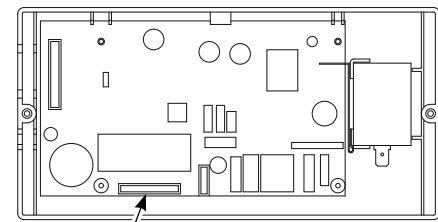
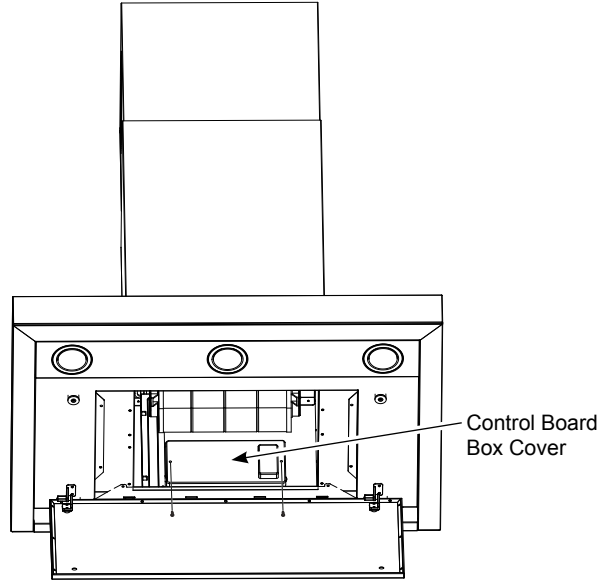
1. Disconnect the connector of the blue wire from the red wire.
2. Connect the 2 red wires together.
3. Cut off the blue unused connector and crimp the end if desired.

**B - For a maximum of 290 CFM
Unit can operate with 3 speeds
(Low, Medium, High).**

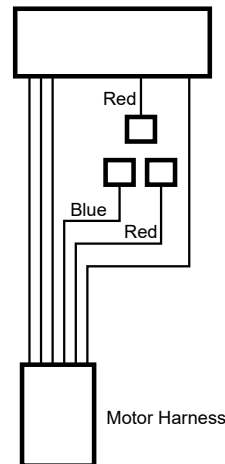
1. Disconnect the connector of the blue wire from the red wire.
2. Cut off the blue unused connector and crimp the end if desired.

5. Reattach the control board box cover and install Filters, see Filters section.

Note to Inspectors: To verify this product was installed in either configuration, check motor wiring connections as described above.



Motor Harness Connector



Troubleshooting tips ... Before you call for service

Save time and money! Review the charts on the following pages first and you may not need to call for service.

Problem	Possible Cause	What To Do
Fan/Light does not operate when button is turned ON	A house fuse may be blown or a circuit breaker tripped.	Replace fuse or reset circuit breaker.
Loud or abnormal airflow noise	Wrong duct size used in installation.	This hood requires 8" ducting to perform optimally. Using smaller duct pipe will cause reduced venting. Minimize the duct run length and number of transitions and elbows. GE Appliances service technicians cannot correct this issue if installed improperly.
Fan fails to circulate air or moves air slower than normal and/or fan is making loud or abnormal airflow noise	Obstructions in duct work.	Make sure nothing is blocking the vent. Make sure your wall or roof cap has a blade or door.
	Damper blade on wall or roof cap may not be open.	Make sure damper swings freely. Damper blades may flip over and will not fully open when this happens. Adjust to original position.
	Metal grease filter and charcoal filter (if present) may be dirty.	Clean the metal grease filter and replace charcoal filter (if present). See Care and Cleaning of the Vent Hood.
	Insufficient makeup (replacement) air	Sufficient makeup (replacement) air is required for exhausting appliances to operate to rating. Check with local building codes, which may require or strongly advise the use of makeup air. Visit GEAppliances.com for available makeup air solutions.
Early light failure	Light wattage is too high.	Replace with correct wattage.
Fan keeps going off and on	The motor is probably overheating and turning itself off. This can be harmful to the motor.	Check to be sure the filters are clean. If off and on cycling continues, call for service.
Hood will not work remotely	Router issues, no wireless signal, etc.	For assistance with hood wireless network connectivity, please call 800.220.6899.
	Hood is not connected.	

GE Appliances Vented Range Hood Warranty

GEAppliances.com

All warranty service is provided by our Factory Service Centers, or an authorized Customer Care® technician. To schedule service online, visit us at www.geappliances.com/service_and_support/, or call GE Appliances at 800.GE.CARES (800.432.2737). Please have your serial number and your model number available when calling for service.

In Canada, call 800.561.3344 or visit geappliances.ca.

Servicing your appliance may require the use of the onboard data port for diagnostics. This gives a GE Appliances factory service technician the ability to quickly diagnose any issues with your appliance and helps GE Appliances improve its products by providing GE Appliances with information on your appliance. If you do not want your appliance data to be sent to GE Appliances, please advise your technician not to submit the data to GE Appliances at the time of service.

For the period of	GE Appliances will replace
One year From the date of the original purchase	Any part of the cooking product which fails due to a defect in materials or workmanship. During this limited one-year warranty , GE Appliances will provide, free of charge , all labor and related service costs to replace the defective part.

What GE Appliances will not cover:

- Service trips to your home to teach you how to use the product.
- Improper installation, delivery, or maintenance.
- Failure of the product if it is abused, misused, modified, or used for other than the intended purpose or used commercially.
- Replacement of house fuses or resetting of circuit breakers.
- Damage to the product caused by accident, fire, floods, or acts of God.
- Damage to finish, such as surface rust, tarnish, or small blemishes not reported within 48 hours of delivery.
- Incidental or consequential damage caused by possible defects with this appliance.
- Damage caused after delivery.
- Product not accessible to provide required service.
- Service to repair or replace light bulbs, except for LED lamps.

EXCLUSION OF IMPLIED WARRANTIES

Your sole and exclusive remedy is product repair as provided in this Limited Warranty. Any implied warranties, including the implied warranties of merchantability or fitness for a particular purpose, are limited to one year or the shortest period allowed by law.

Staple your receipt here. Proof of the original purchase date is needed to obtain service under the warranty.

This warranty is extended to the original purchaser and any succeeding owner for products purchased for home use within the USA. If the product is located in an area where service by a GE Appliances Authorized Servicer is not available, you may be responsible for a trip charge or you may be required to bring the product to an Authorized GE Appliances Service location for service. In Alaska, the warranty excludes the cost of shipping or service calls to your home.

Some states do not allow the exclusion or limitation of incidental or consequential damages. This warranty gives you specific legal rights, and you may also have other rights which vary from state to state. To know what your legal rights are, consult your local or state consumer affairs office or your state's Attorney General.

In Canada: This warranty is extended to the original purchaser and any succeeding owner for products purchased in Canada for home use within Canada. If the product is located in an area where service by a GE Authorized Servicer is not available, you may be responsible for a trip charge or you may be required to bring the product to an Authorized GE Service location. Some provinces do not allow the exclusion or limitation of incidental or consequential damages. This warranty gives you specific legal rights, and you may also have other rights which vary from province to province. To know what your legal rights are, consult your local or provincial consumer affairs office.

Warrantor: GE Appliances, a Haier company

Warrantor in Canada: MC Commercial Burlington, ON, L7R 5B6

Extended Warranties: Purchase a GE Appliances extended warranty and learn about special discounts that are available while your warranty is still in effect. You can purchase it online anytime at

www.geappliances.com/service_and_support/shop-for-extended-service-plans.htm

or call 800.626.2224 during normal business hours. GE Appliances Service will still be there after your warranty expires.

In Canada: contact your local extended warranty provider.

Accessories

Looking For Something More?

GE Appliances offers a variety of accessories to improve your cooking and maintenance experiences!

Refer to the Consumer Support page for phone numbers and website information.

The following products and more are available:

Parts

Power Cord Kit

Make-up Air Kit

Charcoal Filter

Recirculation Kit

Remote Control

12' High Ceiling Duct Cover Kit

14' High Ceiling Duct Cover Kit

Cleaning Supplies

CitruShine™ Stainless Steel Wipes

CERAMA BRYTE® Stainless Steel Appliance Cleaner

Bar Keepers Friend Soft Cleanser™

Consumer Support

GE Appliances Website

Have a question or need assistance with your appliance? Try the GE Appliances Website 24 hours a day, any day of the year! You can also shop for more great GE Appliances products and take advantage of all our on-line support services designed for your convenience. In the US: **GEAppliances.com**.

In Canada: **GEAppliances.ca**.

Register Your Appliance

Register your new appliance on-line at your convenience! Timely product registration will allow for enhanced communication and prompt service under the terms of your warranty, should the need arise. You may also mail in the pre-printed registration card included in the packing material. In the US: **GEAppliances.com/register**.

In Canada: **geappliances.ca**.

Schedule Service

Expert GE Appliances repair service is only one step away from your door. Get on-line and schedule your service at your convenience any day of the year. In the US: **GEAppliances.com/service** or call 800.432.2737 during normal business hours.

In Canada: **GEAppliances.ca** or call 800.561.3344.

Extended Warranties

Purchase a GE Appliances extended warranty and learn about special discounts that are available while your warranty is still in effect. You can purchase it on-line anytime. GE Appliances Services will still be there after your warranty expires. In the US: **GEAppliances.com/extended-warranty** or call 800.626.2224 during normal business hours.

In Canada, contact your local extended warranty provider.

Remote Connectivity

For assistance with wireless network connectivity (for models with remote enable), visit our website at **GEAppliances.com/connected-home-smart-appliances/** or call 800.220.6899 in the US.

Parts and Accessories

Individuals qualified to service their own appliances can have parts or accessories sent directly to their homes (VISA, MasterCard and Discover cards are accepted). Order on-line today 24 hours every day.

In the US: **GEApplianceparts.com** or by phone at 877.959.8688 during normal business hours.

Instructions contained in this manual cover procedures to be performed by any user. Other servicing generally should be referred to qualified service personnel. Caution must be exercised, since improper servicing may cause unsafe operation.

Customers in Canada should consult the yellow pages for the nearest Mabe service center, visit our website at **GEAppliances.ca or call 800.661.1616.**

Contact Us

If you are not satisfied with the service you receive from GE Appliances, contact us on our Website with all the details including your phone number, or write to:

In the US: General Manager, Customer Relations | GE Appliances, Appliance Park | Louisville, KY 40225
GEAppliances.com/contact

In Canada: Director, Consumer Relations, Mabe Canada Inc. | Suite 310, 1 Factory Lane | Moncton, N.B. E1C 9M3
GEAppliances.ca/en/contact-us



HOTTES MURALES

CONSIGNES DE SÉCURITÉ	27
UTILISATION DE LA HOTTE	
Commandes	29
Chef Connect	30
Connexion Wi-Fi	30
ENTRETIEN ET NETTOYAGE	
Filtres	31
Surfaces	32
Lumières	32
INSTRUCTIONS D'INSTALLATION ...	33
CONSEILS DE DÉPANNAGE	45
GARANTIE	46
ACCESSOIRES	47
SERVICE À LA CLIENTÈLE	48

MANUEL DE L'UTILISATEUR ET INSTRUCTIONS D'INSTALLATION

UVW9301

UVW9361

ENGLISH/FRANÇAIS

Inscrivez ici les numéros de modèle et de série :

N° de modèle _____

N° de série _____

Ces numéros se trouvent sur une étiquette située à l'intérieur de la hotte.

FRANÇAIS

Pour consulter la version française, veuillez consulter le site electromenagersge.ca/fr/

MERCI DE PERMETTRE À ÉLECTROMÉNAGERS GE DE FAIRE PARTIE DE VOTRE FOYER.

Que vous ayez grandi avec des électroménagers GE ou qu'il s'agisse de votre premier appareil GE, nous sommes heureux de vous avoir dans la famille.

Nous sommes fiers du savoir-faire, de l'innovation et du design qui font partie intégrante de tous les électroménagers GE que nous fabriquons, et nous pensons que vous le serez aussi. À cet égard, l'enregistrement de votre appareil nous assure que nous pourrons vous fournir des informations importantes sur votre appareil et des détails sur sa garantie si vous en avez besoin.

Enregistrez votre électroménager GE en ligne dès maintenant. Des sites Web et des numéros de téléphone utiles sont disponibles dans la section « Service à la clientèle » de ce manuel de l'utilisateur. Vous pouvez également envoyer par courrier la carte d'enregistrement préimprimée qui se trouve dans l'emballage de votre appareil.



ÉLECTROMÉNAGERS GE

CONSIGNES DE SÉCURITÉ IMPORTANTES

LISEZ TOUTES LES INSTRUCTIONS AVANT D'UTILISER VOTRE APPAREIL.

⚠ AVERTISSEMENT POUR DIMINUER LES RISQUES D'INCENDIE, DE CHOC ÉLECTRIQUE OU DE BLESSURES, SUIVEZ LES CONSIGNES SUIVANTES :

- A. Cet appareil doit uniquement être utilisé aux fins prévues par son fabricant. Si vous avez des questions, contactez le fabricant.
- B. Avant de réparer ou de nettoyer l'appareil, coupez l'alimentation au tableau de distribution et bloquez le disjoncteur pour éviter que le courant ne soit accidentellement rétabli. S'il n'est pas possible de bloquer le disjoncteur, posez un avertissement bien visible, comme une étiquette, sur le tableau de distribution.
- C. N'UTILISEZ PAS CET APPAREIL AVEC UN DISPOSITIF DE CONTRÔLE DE LA VITESSE À SEMI-CONDUCTEUR.
- D. Cet appareil doit être mis à la terre.

⚠ ATTENTION POUR ÉVACUATION DE TYPE GÉNÉRAL SEULEMENT. N'UTILISEZ PAS CET APPAREIL POUR ÉVACUER DES SUBSTANCES OU DES VAPEURS NOCIVES OU EXPLOSIVES.

⚠ ATTENTION POUR RÉDUIRE LES RISQUES D'INCENDIE ET ASSURER L'ÉVACUATION ADÉQUATE DE L'AIR, ASSUREZ-VOUS D'ACHEMINER LES CONDUITS VERS L'EXTÉRIEUR. N'ÉVACUEZ PAS L'AIR DANS DES ESPACES INTRA-MURAUX, DANS LE PLAFOND, DANS LE GRENIER, DANS UN VIDE SANITAIRE OU DANS LE GARAGE.

⚠ AVERTISSEMENT POUR RÉDUIRE LES RISQUES DE BLESSURES S'IL SURVIENT UN FEU DE GRAISSE SUR LA CUISINIÈRE, SUIVEZ LES CONSIGNES SUIVANTES* :

- A. ÉTOUFFEZ LES FLAMMES en recouvrant l'ustensile d'un couvercle, d'une plaque à biscuits ou d'un plateau en métal, puis éteignez le brûleur ou l'élément. PRENEZ GARDE DE NE PAS VOUS BRÛLER. Si les flammes ne s'éteignent pas immédiatement, ÉVACUEZ LES LIEUX ET APPELEZ LES POMPIERS.
- B. N'ESSAYEZ JAMAIS DE SAISIR UN USTENSILE EN FEU; vous pourriez vous brûler.
- C. N'UTILISEZ PAS D'EAU, ni de torchons ou serviettes humides; une violente explosion de vapeur en résulterait.
- D. Utilisez un extincteur SEULEMENT si :
 1. Vous avez en votre possession un extincteur de classe ABC et vous savez vous en servir.
 2. Le feu n'est pas important et est circonscrit à l'endroit où il s'est déclaré.
 3. Vous avez appelé les pompiers.
 4. Vous pouvez combattre le feu en faisant dos à une sortie.

* Selon le document « [Kitchen Fire Safety](#) » (Sécurité-incendie pour la cuisine) publié par la NFPA.

LISEZ ET CONSERVEZ CES INSTRUCTIONS

CONSIGNES DE SÉCURITÉ IMPORTANTES

LISEZ TOUTES LES INSTRUCTIONS AVANT D'UTILISER VOTRE APPAREIL.

⚠ AVERTISSEMENT POUR RÉDUIRE LES RISQUES DE FEU DE GRAISSE SUR LA CUISINIÈRE :

- A. Ne laissez jamais sans surveillance les éléments de surface à des réglages élevés. Les débordements peuvent produire de la fumée et des projections de graisse qui pourraient s'enflammer. Faites chauffer l'huile doucement à un réglage moyen.
- B. Mettez toujours la hotte en MARCHE lorsque vous cuisinez à feu fort ou que vous faites flamber des aliments (p. ex. : des crêpes Suzette, des cerises jubilé ou du steak au poivre flambé).
- C. Nettoyez régulièrement les ventilateurs. Ne laissez pas la graisse s'accumuler sur le ventilateur ou sur le filtre.
- D. Utilisez des ustensiles de dimensions appropriées. Utilisez toujours des casseroles dont la taille correspond à celle de l'élément de cuisson.

⚠ AVERTISSEMENT POUR DIMINUER LES RISQUES D'INCENDIE, DE CHOC ÉLECTRIQUE OU DE BLESSURES, SUIVEZ LES CONSIGNES SUIVANTES :

- A. L'installation et le câblage électrique doivent être effectués par une personne qualifiée conformément à tous les codes et à toutes les normes en vigueur, en particulier ceux et celles concernant la résistance au feu de la construction.
- B. Une quantité d'air suffisante est nécessaire à une combustion et à une évacuation appropriées des gaz par le conduit d'évacuation (cheminée) de l'équipement à combustible pour éviter tout refoulement. Suivez les instructions et normes de sécurité du fabricant de l'appareil chauffant, comme celles publiées par la National Fire Protection Association (NFPA), l'American Society for Heating, Refrigeration and Air Conditioning Engineers (ASHRAE) et les autorités locales.

- C. Lorsque vous effectuez des découpes ou que vous percez dans un mur ou un plafond, n'endommagez pas le câblage électrique ou les installations des services publics.
- D. L'air des ventilateurs pourvus de conduits de ventilation doit toujours être évacué vers l'extérieur.
- E. Le cas échéant, installez un système d'air d'appoint (de remplacement) conformément aux exigences du code du bâtiment local. Visitez www.electromenagersge.ca pour connaître les solutions d'air d'appoint offertes.
- F. Enclenchez le disjoncteur dans les pièces adjacentes lorsque vous effectuez ces travaux.

⚠ AVERTISSEMENT POUR RÉDUIRE LES RISQUES D'INCENDIE, N'UTILISEZ QUE DES CONDUITS EN MÉTAL.

- N'essayez pas de réparer ou de remplacer une pièce de la hotte, sauf si cela est spécifiquement recommandé dans ce manuel. Toutes les autres réparations doivent être confiées à un technicien qualifié.

Pour retirer la pellicule protectrice et le ruban adhésif d'emballage

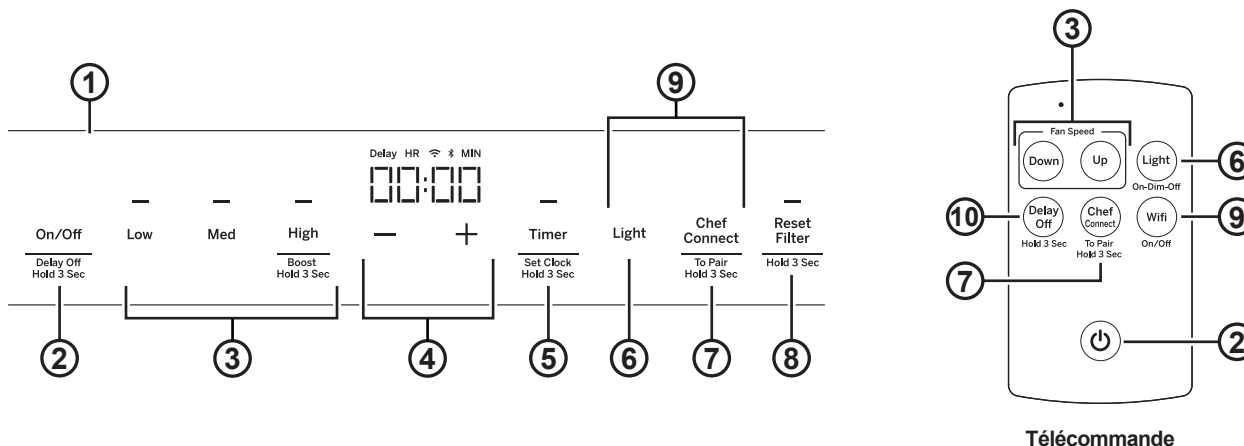
Attrapez soigneusement un des coins de la pellicule protectrice avec vos doigts et décollez-la doucement de la surface de l'appareil. N'utilisez aucun objet coupant pour enlever la pellicule. Retirez toute la pellicule avant d'utiliser l'appareil pour la première fois.

Pour vous assurer de ne pas endommager le fini de l'appareil lorsque vous enlevez la colle laissée par le ruban adhésif d'emballage, la méthode la plus sûre consiste à utiliser un détergent à vaisselle. Appliquez le produit choisi avec un chiffon doux et laissez-le pénétrer.

REMARQUE : Vous devez enlever la colle résiduelle de toutes les pièces.

REMARQUE : Pour plus d'instructions/de suggestions de nettoyage, reportez-vous à la section Entretien et nettoyage.

LISEZ ET CONSERVEZ CES INSTRUCTIONS



- Panneau de commande de la hotte** : Le panneau de commande est situé à l'avant de la hotte. La position et la fonction de chaque touche de commande sont indiquées ci-dessous.
- On/Off (marche/arrêt)** : Touche de marche/arrêt pour le ventilateur et l'illumination de l'affichage. Le ventilateur peut être activé en tapant sur l'une ou l'autre des touches de réglage du ventilateur. Maintenez la touche **On/Off** (marche/arrêt) enfoncée pendant 3 secondes pour activer la fonction d'arrêt différé, qui arrête le ventilateur automatiquement au bout de 15 minutes.
- Réglage du ventilateur** : Ces touches servent à contrôler la vitesse du ventilateur. Tapez la touche **Low** (bas) pour la BASSE vitesse. **Med** (moyen) pour la vitesse MOYENNE et sur la touche **High** (élevé) pour la vitesse ÉLEVÉE. Maintenez la touche **High** (élevé) enfoncée pendant 3 secondes pour activer la vitesse SURALIMENTÉE qui fonctionnera pendant 10 minutes. Sur la télécommande, appuyez sur **Up** (haut) pour augmenter la vitesse du ventilateur, appuyez sur **Down** (bas) pour diminuer la vitesse du ventilateur, y compris la vitesse suralimentée.
- Plus et moins** : Les touches (+) et (-) contrôlent l'heure pour l'horloge et la minuterie. Pour augmenter la durée, appuyez sur la touche +. Pour diminuer la durée, appuyez sur la touche -.
- Timer (minuterie)** : Règle une minuterie pour la cuisson ou règle l'horloge. Pour démarrer la minuterie, appuyez sur la touche **Timer** (minuterie) et l'horloge indiquera « HR » et « MIN ». Appuyez sur + ou - pour ajouter ou diminuer la durée. Appuyez sur la touche **Timer** (minuterie) à nouveau pour démarrer le décompte. Pour annuler la minuterie, appuyez sur la touche **Timer** (minuterie) à nouveau. Appuyez sur la touche **Timer** (minuterie) et maintenez-la enfoncée pendant 3 secondes. Appuyez sur la touche + ou - pour régler l'heure. Appuyez sur la touche **Timer** (minuterie) à nouveau pour démarrer les minutes. Appuyez sur la touche **Timer** (minuterie) à nouveau pour démarrer le décompte. L'horloge se synchronise une fois que l'unité est connectée au Wi-Fi.
- Lumière** : Contrôle les lumières. Appuyez sur la touche **Light** (lumière) pour allumer les lumières complètement. Appuyez sur la touche **Light** (lumière) pour réduire l'intensité des lumières. Appuyez sur la touche **Light** (lumière) une troisième fois pour éteindre les lumières.
- Chef Connect** : Appuyez sur la touche **Chef Connect** et maintenez-la enfoncée pendant 3 secondes pour activer la fonction Bluetooth^{MD}. Il s'agit d'une fonction Bluetooth^{MD} utilisable avec les autres produits compatibles comme une surface de cuisson ou une cuisinière. Lorsque la connexion avec l'appareil est établie, la lumière et le ventilateur s'allument selon les paramètres de synchronisation par défaut de la commande envoyée par la cuisinière ou la surface de cuisson. Ils resteront programmés ainsi jusqu'à ce que l'utilisateur modifie les paramètres de synchronisation par défaut. Pour plus de détails, consultez la section Chef Connect.
- Réinitialiser le filtre** : Le voyant DEL rouge au-dessus de la touche de réinitialisation du filtre s'allume pour vous rappeler de changer/nettoyer le filtre. Maintenez enfoncée la touche **Reset Filter** (réinitialiser le filtre) pendant 3 secondes pour le désactiver. Appuyez sur la touche **Reset Filter** (réinitialiser le filtre) à nouveau pour commencer à recalculer le temps. Bien que cet indicateur rappelle à l'utilisateur de changer/nettoyer les filtres, les filtres doivent être nettoyés régulièrement. Veuillez vous référer à la section Filtres.
- Wi-Fi** : Maintenez les touches **Light** (lumière) et **Chef Connect** enfoncées pendant 3 secondes pour activer le mode de connexion Wi-Fi. Le symbole Wi-Fi au-dessus de l'horloge clignote pendant 3 secondes, puis s'allume à pleine puissance. Pour plus de détails, consultez la section Wi-Fi. Sur la télécommande, appuyez sur **Wi-Fi** pour activer la fonction Wi-Fi.
- Arrêt différé (Télécommande seulement)** : Appuyez sur la touche **Delay Off** (arrêt différé) et maintenez-la enfoncée pour activer la fonction Arrêt différé.

Chef Connect

Mode d'emploi de la connexion Bluetooth^{MD} Chef Connect

Jumelage avec un autre appareil :

Pour démarrer la fonction de jumelage de la hotte, appuyez sur la touche **Chef Connect** et tenez-la enfoncée pendant 3 secondes. Le rétroéclairage des voyants clignotera dans cette séquence jusqu'à ce que la hotte soit jumelée à la cuisinière ou à un autre appareil. Si la connexion est réussie, le symbole Bluetooth^{MD} au-dessus de l'horloge s'allume à pleine puissance.

La connexion expirera après 2 minutes si elle n'est pas complétée et elle devra être effectuée à nouveau.

Annuler le jumelage :

Pour annuler le jumelage, appuyez sur la touche **Chef Connect** et tenez-la enfoncée pendant 3 secondes, puis éteignez la hotte.

Paramètres de synchronisation par défaut :

Le réglage d'usine par défaut de la lumière sera le réglage élevé.

Le réglage d'usine par défaut de la synchronisation du ventilateur sera le réglage OFF (désactivé).

L'utilisateur peut modifier les paramètres de synchronisation par défaut en appuyant sur la touche **Low** (bas) et en la appuyée pendant 3 secondes. Cela permettra d'entrer en mode « paramètres par défaut ». Une fois ce mode activé, les voyants de rétroéclairage de toutes les touches clignoteront indéfiniment et le ventilateur et la lumière s'allumeront selon les réglages de la synchronisation par défaut en cours afin que l'utilisateur puisse connaître la valeur par défaut actuelle de ces réglages. Vous pouvez maintenant régler les paramètres par défaut de la lumière et du ventilateur aux niveaux souhaités. Lorsque vous êtes satisfait des paramètres choisis, appuyez sur la touche **Off** (arrêt) et tenez-la enfoncée pendant 3 secondes. Cela vous fera quitter le mode « paramètres par défaut ». Les voyants de rétroéclairage cesseront alors de clignoter et le ventilateur et la lumière se régleront aux niveaux qui étaient les leurs avant d'entrer en mode « paramètres par défaut ».

Connexion Wi-Fi

Connecter votre hotte compatible Wi-Fi (certains modèles)

Votre hotte GE est conçue pour vous fournir une communication bidirectionnelle entre votre appareil et un périphérique intelligent. En utilisant les fonctionnalités Wi-Fi Connect des électroménagers GE, vous serez en mesure de contrôler les principales opérations de la hotte, telles que les paramètres de vitesse du ventilateur, d'éclairage, de minuterie/horloge, d'arrêt différé du ventilateur et de réinitialisation du filtre à l'aide de votre téléphone intelligent ou votre tablette.*

Ce dont vous avez besoin

Votre hotte GE utilise votre réseau Wi-Fi domestique existant pour communiquer avec votre périphérique intelligent. Pour configurer votre hotte GE, vous aurez besoin de recueillir quelques informations :

1. Chaque hotte GE comporte une étiquette d'information de connexion qui inclut le nom réseau de l'appareil et un mot de passe. Ce sont deux données importantes dont vous aurez besoin pour vous connecter à l'appareil. L'étiquette est située sur le côté de l'appareil, derrière les filtres.

Connected Appliance Information	
FCC ID: ZKJ-WCATA005	Network: *****
IC: 10229A-WCATA001	Password: *****
MAC ID: *****	

Exemple d'étiquette

2. Il vous faut disposer d'un téléphone intelligent ou d'une tablette en mesure d'accéder à Internet et de télécharger des applications.
3. Vous aurez besoin de connaître le mot de passe de votre routeur Wi-Fi domestique. Ayez ce mot de passe sous la main lorsque vous serez prêt à configurer votre hotte GE.

Connecter votre hotte GE

1. Sur votre téléphone ou tablette intelligente, visitez le site au www.GEAppliances.com/connect pour en savoir plus sur les fonctionnalités des électroménagers connectés et pour télécharger l'application appropriée.
2. Suivez les instructions à l'écran de l'application pour connecter votre hotte GE.
3. Une fois que le processus de connexion est terminé, le voyant de connexion situé sur l'afficheur de votre hotte GE restera allumé et l'application confirmera que vous êtes connecté.
4. Si le voyant de connexion ne s'allume pas ou qu'il clignote, suivez les instructions de l'application pour vous reconnecter. Si les problèmes persistent, veuillez appeler le 1-800-220-6899 et demander de recevoir de l'assistance relativement à la connectivité sans fil de votre hotte.

Pour connecter des périphériques intelligents supplémentaires, répétez les étapes 1 et 2.

Veuillez noter que tout changement ou toute modification apportés au dispositif de communication sans fil de cet hotte qui n'est pas expressément approuvé par le fabricant peut annuler votre droit à l'utiliser.

* Appareils compatibles Apple ou Android et réseau Wi-Fi domestique requis.

Filtres

Assurez-vous que le disjoncteur électrique est en position « fermée » et que toutes les surfaces sont froides avant de nettoyer ou de réparer la hotte.

Filtre à graisse métallique

Les filtres métalliques retiennent la graisse émise pendant la cuisson.

Ce filtre doit TOUJOURS être en place lors de l'utilisation de la hotte. Les filtres résistent au lave-vaisselle et doivent être nettoyés tous les mois selon l'utilisation de la hotte.

Pour retirer le filtre :

Ouvrez le panneau du filtre et désengagez le verrouillage du filtre pour relâcher le filtre.

Pour replacer le filtre :

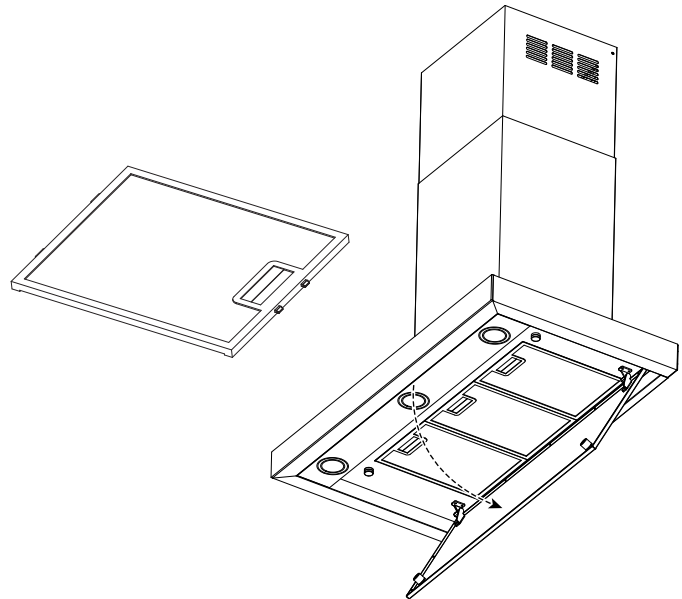
Entrez les pattes situées sous le filtre dans les fentes situées à l'arrière de l'ouverture du filtre. Soulevez la face avant du filtre et poussez doucement jusqu'à ce le filtre s'enclenche. Assurez-vous que le verrou du filtre est en position fermée afin que le filtre soit solidement fixé.

REMARQUE : Le panneau avant recouvre les filtres et doit être soulevé, puis abaissé pour accéder aux filtres.

Pour nettoyer :

Agitez le filtre dans de l'eau chaude savonneuse et rincez à l'eau propre, ou placez-le au lave-vaisselle. N'utilisez pas de nettoyant abrasif.

REMARQUE : Le lavage au lave-vaisselle peut entraîner une certaine décoloration des filtres.



Filtre à charbon (pour les installations de type recyclage de l'air uniquement)

Si votre appareil n'est pas ventilé vers l'extérieur, l'air doit être recyclé à travers un filtre à charbon jetable qui retient la fumée et les odeurs.

REMARQUE : NE RINCEZ PAS les filtres à charbon et NE LES NETTOYEZ PAS au lave-vaisselle.

Le filtre à charbon est compris avec l'appareil. Il ne peut pas être nettoyé et doit être remplacé lorsque le voyant de réinitialisation du filtre s'allume. Il est conseillé de remplacer le filtre à charbon tous les 6 mois ou lorsqu'il est visiblement souillé ou qu'il a changé de couleur.

Commandez des filtres à charbon numéro UXCF91

Pour toute question concernant l'achat de filtres à charbon de rechange ou pour connaître l'emplacement du détaillant le plus près de chez vous, veuillez appeler notre numéro sans frais.

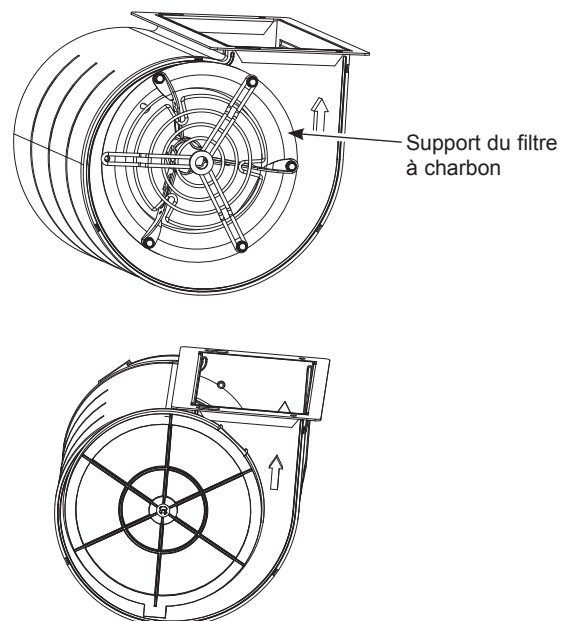
**Centre national des pièces 1-800-626-2002
Au Canada, téléphonez au 1-800-661-1616.**

Pour installer le filtre :

1. Retirez les filtres en métal (consultez la section « Filtre à graisse métallique »).
2. Installez les supports de filtre à charbon sur un côté du moteur à l'aide de trois vis par côté.
3. Insérez la languette du filtre à charbon dans la fente triangulaire du support.
4. Poussez le filtre à charbon jusqu'à ce qu'il soit verrouillé en place.
5. Répétez la procédure avec le deuxième filtre de l'autre côté du moteur.
6. Remplacez les filtres en métal (consultez la section « Filtre à graisse métallique »).

Pour retirer le filtre :

1. Retirez les filtres métalliques (consultez la section « Filtre à graisse métallique »).
2. Retirez le filtre à charbon en appuyant sur la languette.
3. Retirez soigneusement le filtre à charbon de la languette.



Surfaces

Surfaces en acier inoxydable (certains modèles)

N'utilisez pas de tampon en laine d'acier; il rayerait la surface.

Pour nettoyer la surface en acier inoxydable, utilisez de l'eau tiède savonneuse ou un produit de nettoyage ou à polir pour acier inoxydable. Essayez toujours la surface dans le sens du grain. Suivez les instructions du nettoyant pour surface en acier inoxydable. Les nettoyants contenant de l'acide oxalique comme le **Bar Keepers Friend Soft Cleanser^{MC}** permettent d'éliminer la rouille, le ternissement et les petits défauts de la surface. Pour recevoir un coupon pour un échantillon de **Bar Keepers Friend Soft Cleanser^{MC}** cliquez sur le lien ci-dessous ou scannez le code QR.

www.barkeepersfriend.com/ge



Utilisez uniquement les nettoyants liquides sans granule et frottez dans le sens du grain avec une éponge douce et humide.

Pour toute question concernant l'achat de produit de nettoyage ou à polir pour appareil en acier inoxydable ou pour connaître l'emplacement du détaillant le plus près de chez vous, veuillez appeler notre numéro sans frais :

Centre national des pièces
1-800-626-2000

www.electromenagersge.ca

Au Canada, téléphonez au 1-800-661-1616 ou visitez www.electromenagersge.ca.

Surfaces peintes et de couleur noire en acier inoxydable (sur certains modèles)

N'utilisez pas de tampon en laine d'acier ni tout autre produit de nettoyage abrasif; ils égratigneraient la surface.

Nettoyez régulièrement les surfaces chargées de graisse de la hotte. Pour nettoyer la surface de la hotte, utilisez un chiffon chaud et humide et un détergent doux convenant aux surfaces peintes. Vous pouvez ajouter environ une cuillère à soupe d'ammoniaque dans l'eau. Utilisez un chiffon propre, chaud et humide pour retirer le savon. Séchez à l'aide d'un chiffon propre et sec.

REMARQUE : Lorsque vous nettoyez, prenez soin de ne pas entrer en contact avec les filtres et les autres surfaces.

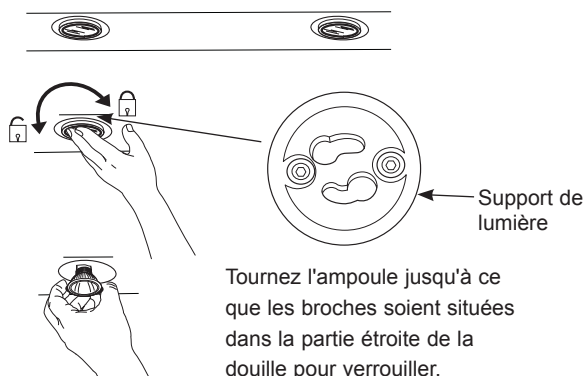
⚠ ATTENTION Lorsque vous nettoyez les surfaces de la hotte, assurez-vous de ne pas toucher la lumière avec les mains ou un chiffon humides. Une lumière tiède ou chaude peut se briser si elle entre en contact avec quelque chose d'humide. Laissez toujours la lumière refroidir complètement avant de nettoyer autour.

Lumières

⚠ ATTENTION Laissez le temps aux lumières de refroidir avant de les manipuler.

1. Avant de remplacer les lumières, assurez-vous que le bouton d'éclairage est en position d'arrêt.
2. Tournez l'ampoule dans le sens antihoraire pour la retirer. Le port de gants en latex permet de saisir plus facilement le couvre-ampoule.
3. Remplacez l'ampoule par une nouvelle ampoule du même type (à incandescence standard), en veillant à ce que les broches soient correctement insérées dans la douille de support de lumière et tournez dans le sens horaire pour bloquer l'ampoule.

Les ampoules doivent être de type GU10.



Instructions d'installation

Hottes murales

UVW9301, U VW9361

? « Si vous avez des questions, composez le 1-800-GE-CARES (1-800-432-2737) ou consultez notre site Web : GEAppliances.com ».
Au Canada, téléphonez au 1-800-561-3344 ou visitez www.electromenagersge.ca.

AVANT DE COMMENCER

Lisez attentivement toutes ces instructions.

- **IMPORTANT** — Conservez ces instructions pour l'inspecteur local.
- **IMPORTANT** — Respectez tous les codes et règlements en vigueur.
- **Remarque destinée à l'installateur** – Assurez-vous de laisser ces instructions au client.
- **Remarque destinée à l'acheteur** – Conservez ces instructions pour vous y reporter ultérieurement.
- **Niveau de compétence** – L'installation de cette hotte de cuisinière nécessite des compétences de base en mécanique et en électricité.
- **Durée de l'installation** – Entre 1 heure et 3 heures environ.
- L'installateur est responsable de la qualité de l'installation.
- Les défaillances de l'appareil dues à une mauvaise installation ne sont pas couvertes par la garantie.

ATTENTION Compte tenu du poids et de la dimension de ces hottes, et afin de réduire les risques de blessure et pour ne pas endommager le produit, **SON INSTALLATION DOIT ÊTRE EFFECTUÉE PAR DEUX PERSONNES.**

POUR VOTRE SÉCURITÉ

AVERTISSEMENT Avant de commencer l'installation, coupez le courant au tableau de distribution et bloquez le disjoncteur pour éviter que le courant ne soit accidentellement rétabli. S'il n'est pas possible de bloquer le disjoncteur, posez un avertissement bien visible, comme une étiquette, sur le tableau de distribution.

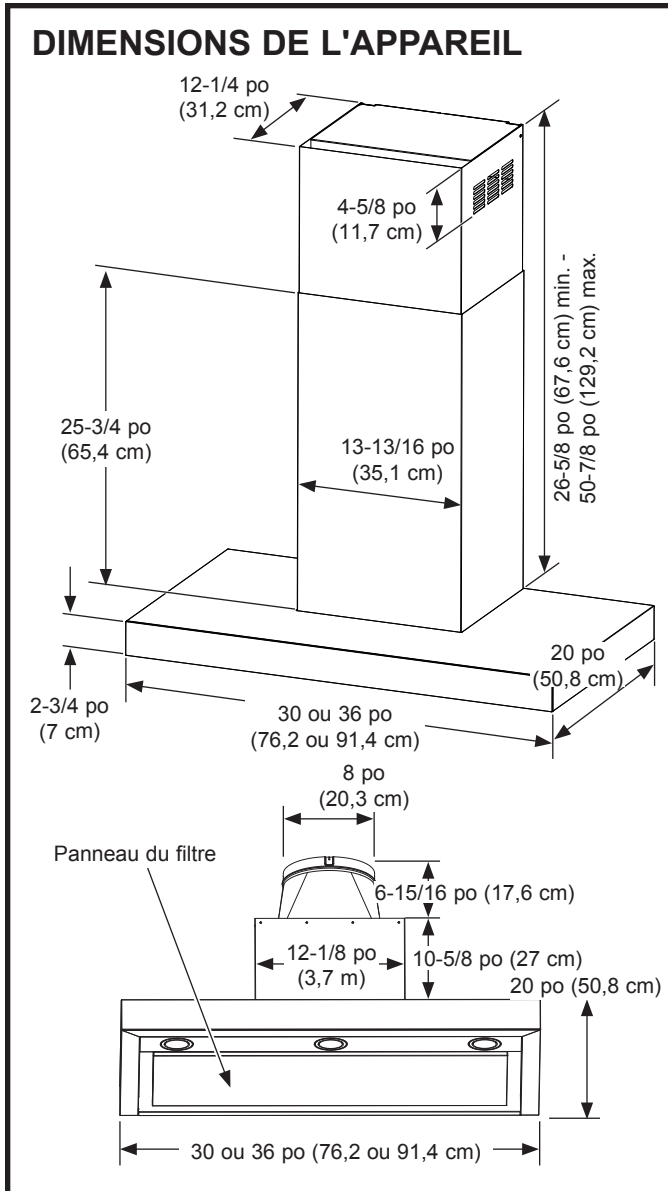
AVERTISSEMENT **POUR DIMINUER LES RISQUES D'INCENDIE, DE CHOC ÉLECTRIQUE OU DE BLESSURES, SUIVEZ LES CONSIGNES SUIVANTES :**

- A. L'installation et le câblage électrique doivent être effectués par une personne qualifiée conformément à tous les codes et à toutes les normes en vigueur, en particulier ceux et celles concernant la résistance au feu de la construction.
- B. Une quantité d'air suffisante est nécessaire à une combustion et à une évacuation appropriées des gaz par le conduit d'évacuation (cheminée) de l'équipement à combustible pour éviter tout refoulement. Suivez les instructions et normes de sécurité du fabricant de l'appareil chauffant, comme celles publiées par la National Fire Protection Association (NFPA), l'American Society for Heating, Refrigeration and Air Conditioning Engineers (ASHRAE) et les autorités locales.
- C. Lorsque vous effectuez des découpes ou que vous percez dans un mur ou un plafond, n'endommagez pas le câblage électrique ou les installations des services publics.
- D. L'air des ventilateurs pourvus de conduits de ventilation doit toujours être évacué vers l'extérieur.
- E. Enclenchez le disjoncteur dans les pièces adjacentes lorsque vous effectuez ces travaux.

AVERTISSEMENT **POUR RÉDUIRE LES RISQUES D'INCENDIE, N'UTILISEZ QUE DES CONDUITS EN MÉTAL.**

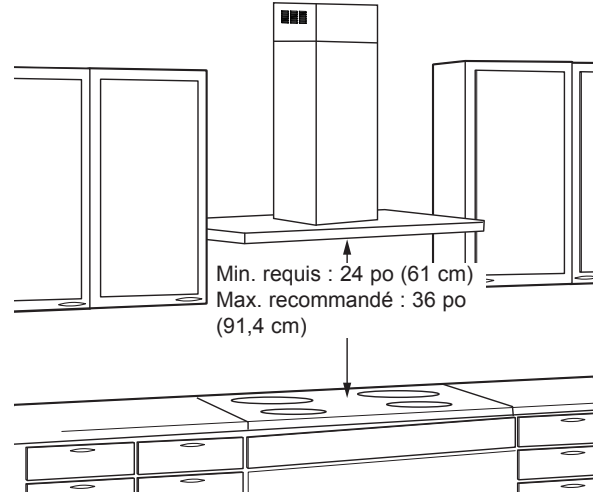
AVERTISSEMENT Coupez l'alimentation électrique au disjoncteur principal ou à la boîte de fusibles avant de commencer l'installation.

Préparatifs avant l'installation



DÉGAGEMENTS POUR L'INSTALLATION

Ces hottes d'évacuation ont été conçues pour être installées sur un mur sans armoire au-dessus.



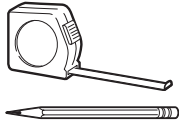
Cette hotte doit être installée entre la distance minimale requise de 24 po (61 cm) et la distance maximale recommandée de 36 po (91,4 cm) au-dessus de la surface de cuisson. Pour les hauteurs de plafond relatives au recouvrement du conduit fourni, consultez le Tableau des hauteurs d'installation.

REMARQUE : La hauteur d'installation doit être mesurée à partir de la surface de cuisson jusqu'à la partie la plus basse de la hotte. La hotte doit être installée sur un mur. Elle peut être ventilée vers l'extérieur ou elle peut être installée de façon à recycler l'air. Pour une installation en mode recyclage de l'air, reportez-vous à la section Planification d'une installation de type recyclage.

Les instructions d'installation décrivant le montage et le câblage de l'ensemble de connexion du cordon de la hotte de cuisinière doivent être fournies avec chaque ensemble de connexion du cordon de la hotte de cuisinière.

Préparatifs avant l'installation

OUTILS ET MATÉRIAUX NÉCESSAIRES (NON FOURNIS)



Crayon et ruban à mesurer



Lunettes de sécurité



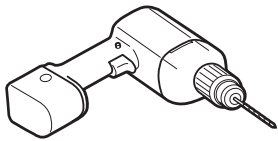
Tournevis Phillips



Niveau



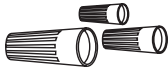
Coupe-fil/pince à dénuder



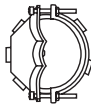
Perceuse électrique avec embouts Phillips n° 2 et forets de 1/8 po (3,2 mm)



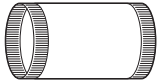
Ruban adhésif en toile revêtu d'aluminium



Capuchons de connexion homologués UL



Réducteur de tension pour boîte de jonction



Conduit rond de 8 po (20,3 cm) (la longueur variera)



Gants

DÉBALLAGE

ATTENTION Portez des gants pour protéger vos doigts des rebords coupants.

- Retirez les cache-conduits.
- Retirez le sac de quincaillerie, la trousse de documentation et les autres boîtes de pièces.
- Enlevez et jetez l'emballage en plastique et les autres matériaux d'emballage de façon adéquate.

PLANIFIER L'INSTALLATION

ATTENTION Pour réduire les risques d'incendie et assurer l'évacuation adéquate de l'air, assurez-vous d'acheminer les conduits vers l'extérieur. N'évacuez pas l'air dans des espaces intra-muraux, dans le plafond, dans le grenier, dans un vide sanitaire ou dans le garage.

PIÈCES FOURNIES POUR L'INSTALLATION

- 1 trousse de quincaillerie
- Documentation
- Un conduit de recyclage de l'air (pour une installation de type recyclage de l'air uniquement)
- Filtre à charbon (installations pour recyclage de l'air uniquement)

PIÈCES REQUISES POUR L'INSTALLATION

- 1 réducteur de tension
- 1 clapet mural ou un chapeau de toit (pour une ventilation vers l'extérieur uniquement)
- Un conduit tout en métal (pour une ventilation vers l'extérieur uniquement)

AVERTISSEMENT

RISQUE DE BLESSURES

En raison du poids et de la taille du toit d'évacuation de la hotte, il est recommandé que son installation soit effectuée par 2 personnes. Ne pas soulever correctement la hotte pourrait l'endommager ou causer des blessures.

REMARQUE : Cette hotte de cuisinière peut être installée en mode évacuation ou recyclage de l'air. Pour une installation de type évacuation, la hotte peut évacuer l'air à travers le mur ou le plafond. Lorsqu'elle est installée en mode recyclage de l'air, la hotte pousse l'air sur les côtés du cache-conduit.

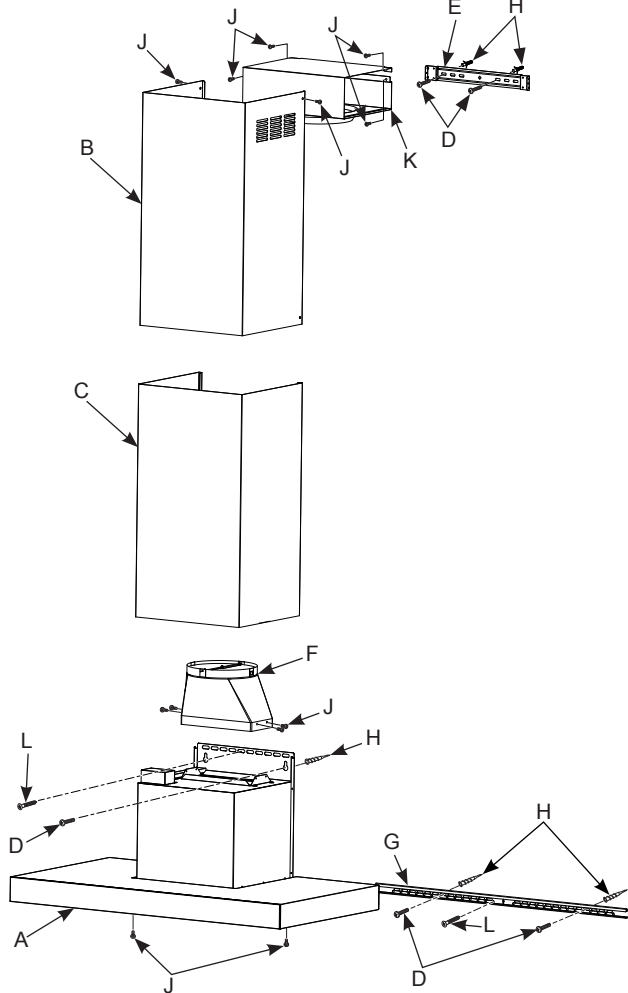
REMARQUE : Avant d'effectuer des découpes ou des trous pour l'installation, déterminez la méthode de ventilation qui sera utilisée et calculez soigneusement toutes les mesures.

À UTILISER UNIQUEMENT AVEC DES ENSEMBLES DE RACCORDEMENT DE CORDON POUR HOTTE DE CUISINIÈRE QUI ONT ÉTÉ EXAMINÉS ET JUGÉS ACCEPTABLES POUR CE MODÈLE DE HOTTE POUR CUISINIÈRE.

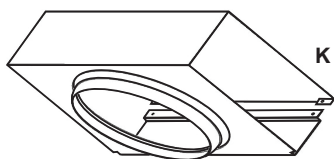
Préparatifs avant l'installation

COMPOSANTS DE LA HOTTE DE CUISINIÈRE

- A. Hotte murale
- B. Cache-conduit supérieur
- C. Cache-conduit inférieur
- D. Vis de montage
- E. Supports de montage du cache-conduit
- F. Registre
- G. Support de montage de la hotte
- H. Ancrages de fixation
- J. Vis à métaux
- K. Boîtier de recyclage de l'air
- L. Vis à bois

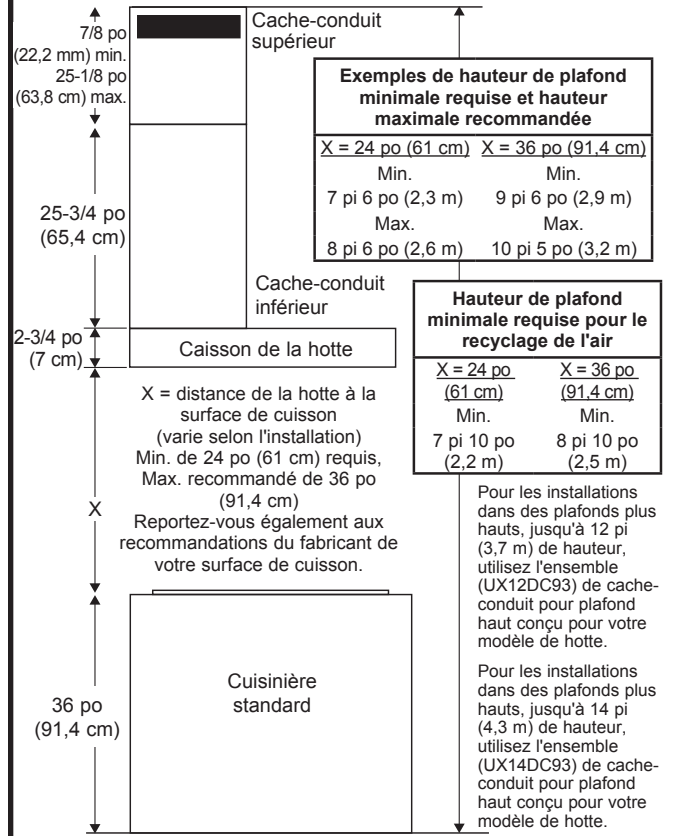


COMPOSANTS DE RECYCLAGE



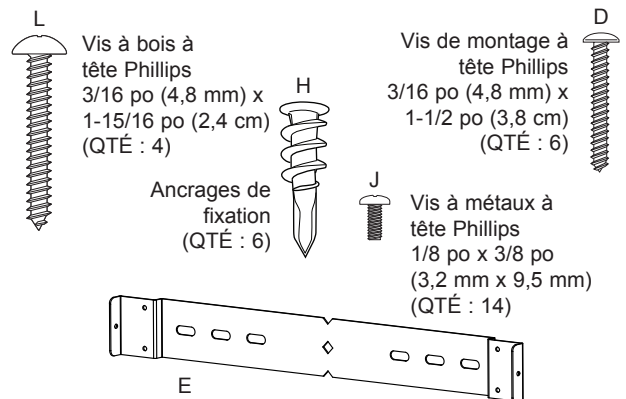
DIMENSIONS D'INSTALLATION

Les cache-conduits de la hotte murale peuvent être ajustés pour des plafonds en fonction de la distance entre le bas de la hotte et la surface de cuisson (distance X). Reportez-vous au Tableau des hauteurs d'installation.



QUINCAILLERIE

REMARQUE : La rallonge de cheminée remplace les cheminées supérieures et inférieures vendues avec la hotte. La quincaillerie fournie avec la hotte doit être conservée et utilisée avec la rallonge de la cheminée.



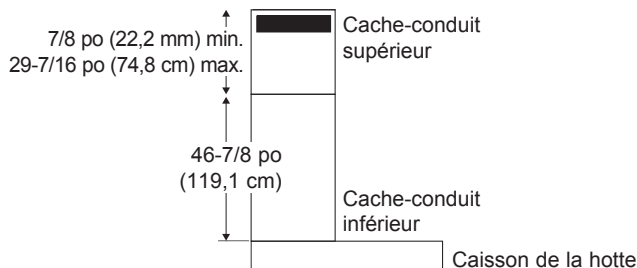
Préparatifs avant l'installation

TABLEAU DES HAUTEURS D'INSTALLATION

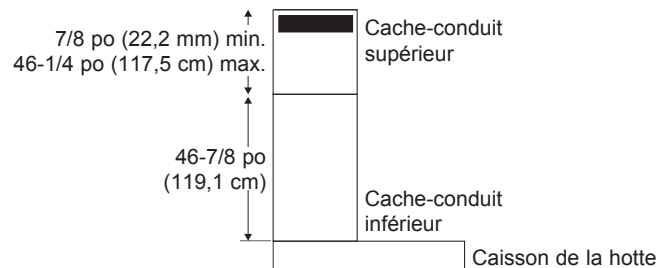
Hauteur d'installation avec les cache-conduits fournis.				(UX12DC93SS ou UX12DC93TS)		(UX14DC93SS ou UX14DC93TS)	
				Cache-conduit facultatif pour plafond haut, de 12 pi (3,7 m) ou moins (non inclus avec l'appareil)		Cache-conduit facultatif pour plafond haut, de 14 pi (4,3 m) ou moins (non inclus avec l'appareil)	
Hauteur de plafond (pi/po (m))	Hauteur d'installation possible du conduit de ventilation (po (cm))	Hauteur d'installation possible du conduit de ventilation (recyclage de l'air avec événements dissimulés) (po (cm))	Hauteur d'installation possible du système de recyclage de l'air (po (cm))	Hauteur de plafond (pi/po (m))	Hauteur du système d'évent et de recyclage de l'air (po (cm))	Hauteur de plafond (po)	Hauteur d'installation du système d'évent et de recyclage de l'air (po (cm))
7 pi 6 po (2,3 m)	24	24		9 pi 3 po (2,8 m)	24	12 pi (3,7 m)	24-36
7 pi 7 po (2,4 m)	24-25	24-25		9 pi 4 po (2,9 m)	24-25	12 pi 1 po (3,7 m)	24-36
7 pi 8 po (2,4 m)	24-26	24-26		9 pi 5 po (2,9 m)	24-26	12 pi 2 po (3,7 m)	24-36
7 pi 9 po (2,4 m)	24-27	24-27		9 pi 6 po (2,9 m)	24-27	12 pi 3 po (3,8 m)	24-36
7 pi 10 po (2,2 m)	24-28	24-28	24	9 pi 7 po (3 m)	24-28	12 pi 4 po (3,8 m)	24-36
7 pi 11 po (2,2 m)	24-29	24-29	24-25	9 pi 8 po (3 m)	24-29	12 pi 5 po (3,8 m)	24-36
8 pi (2,4 m)	24-30	24-30	24-26	9 pi 9 po (3 m)	24-30	12 pi 6 po (3,8 m)	24-36
8 pi 1 po (2,4 m)	24-31	24-31	24-27	9 pi 10 po (3 m)	24-31	12 pi 7 po (3,9 m)	24-36
8 pi 2 po (2,5 m)	24-32	24-32	24-28	9 pi 11 po (3 m)	24-32	12 pi 8 po (3,9 m)	24-36
8 pi 3 po (2,5 m)	24-33	24-33	24-29	10 pi (3,1 m)	24-33	12 pi 9 po (3,9 m)	24-36
8 pi 4 po (2,6 m)	24-34	24-34	24-30	10 pi 1 po (3,1 m)	24-34	12 pi 10 po (3,7 m)	24-36
8 pi 5 po (2,6 m)	24-35	24-35	24-31	10 pi 2 po (3,1 m)	24-35	12 pi 11 po (3,7 m)	24-36
8 pi 6 po (2,6 m)	24-36	24-36	24-32	10 pi 3 po (3,1 m)	24-36	13 pi (4 m)	24-36
8 pi 7 po (2,7 m)	24-36	24-36	24-33	10 pi 4 po (3,2 m)	24-36	13 pi 1 po (4 m)	25-36
8 pi 8 po (2,7 m)	24-36	24-36	24-34	10 pi 5 po - 11 pi 3 po (3,2 m - 3,4 m)	24-36	13 pi 2 po (4 m)	26-36
8 pi 9 po (2,7 m)	24-36	24-36	24-35	11 pi 4 po (3,5 m)	24-36	13 pi 3 po (4,1 m)	27-36
8 pi 10 po (2,5 m)	24-36	24-36	24-36	11 pi 5 po (3,5 m)	24-36	13 pi 4 po (4,1 m)	28-36
8 pi 11 po (2,5 m)	24-36	24-36	24-36	11 pi 6 po (3,5 m)	24-36	13 pi 5 po (4,1 m)	29-36
9 pi (2,7 m)	24-36	24-36	24-36	11 pi 7 po (3,6 m)	24-36	13 pi 6 po (4,2 m)	30-36
9 pi 1 po (2,8 m)	24-36	24-36	24-36	11 pi 8 po (3,6 m)	25-36	13 pi 7 po (4,2 m)	31-36
9 pi 2 po (2,8 m)	24-36	25-36	24-36	11 pi 9 po (3,6 m)	26-36	13 pi 8 po (4,2 m)	32-36
9 pi 3 po (2,8 m)	24-36	26-36	24-36	11 pi 10 po (3,4 m)	27-36	13 pi 9 po (4,2 m)	33-36
9 pi 4 po (2,9 m)	24-36	27-36	24-36	11 pi 11 po (3,4 m)	28-36	13 pi 10 po (4 m)	34-36
9 pi 5 po (2,9 m)	24-36	28-36	24-36	12 pi (3,7 m)	29-36	13 pi 11 po (4 m)	35-36
9 pi 6 po (2,9 m)	25-36	29-36	25-36			14 pi (4,3 m)	36
9 pi 7 po (3 m)	26-36	30-36	26-36				
9 pi 8 po (3 m)	27-36	31-36	27-36				
9 pi 9 po (3 m)	28-36	32-36	28-36				
9 pi 10 po (3 m)	29-36	33-36	29-36				
9 pi 11 po (3 m)	30-36	34-36	30-36				
10 pi (3,1 m)	31-36	35-36	31-36				
10 pi 1 po (3,1 m)	32-36	36	32-36				
10 pi 2 po (3,1 m)	33-36		33-36				
10 pi 3 po (3,1 m)	34-36		34-36				
10 pi 4 po (3,2 m)	35-36		35-36				
10 pi 5 po (3,2 m)	36		36				

*Basé sur une cuisinière électrique GE de 36 po (91,4 cm)

Pour les cuisinières à gaz, commencez à la mesure de 92 po (233,7 cm) et soustrayez 2 po (5,1 cm) pour la hauteur d'installation maximale de chaque section.



Ensemble de cache-conduit pour plafond haut de 12 pi (3,7 m)



Ensemble de cache-conduit pour plafond haut de 14 pi (4,3 m)

Préparatifs avant l'installation

PLANIFICATION PRÉLIMINAIRE

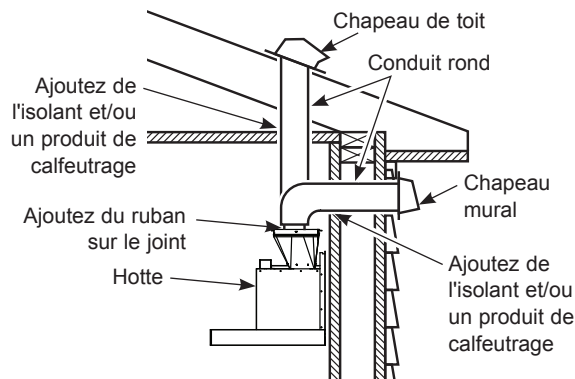
Planification de l'installation du conduit

- Cette hotte est destinée à être ventilée verticalement à travers le plafond. Conduit rond de 8 po (20,3 cm)
Utilisez des coudes disponibles en quincaillerie pour évacuer l'air horizontalement à travers le mur arrière.
- Utilisez uniquement des conduits métalliques.
- Déterminez l'emplacement exact de la hotte.
- Planifiez le chemin que prendra l'air avant d'être évacué vers l'extérieur. Pour maximiser le rendement du système de ventilation :
 1. Minimisez la longueur du conduit et le nombre de transitions et de coudes.
 2. Conservez le même diamètre de conduit.
 3. Scellez tous les joints avec du ruban adhésif en toile pour éviter les fuites d'air.

REMARQUE : Un conduit flexible est déconseillé. Un conduit flexible crée une contre-pression et une turbulence de l'air qui réduisent considérablement les performances.

- Longueur maximale équivalente du conduit pour 100 pi³/min (2,8 m³/min) : 150 pi (45,7 m) pour une hotte.
- Installez un clapet mural ou un chapeau de toit muni d'un registre dans l'ouverture extérieure. Achetez à l'avance le clapet mural ou le chapeau de toit, les raccords et la longueur de conduit dont vous avez besoin.
- Le cas échéant, installez le système d'air d'appoint (de recharge) conformément aux exigences du code du bâtiment local. Utilisez l'ensemble d'air d'appoint JXMUA8.

Le système de ventilation peut se terminer au toit ou au mur. Pour évacuer l'air à travers un mur, un coude à 90° est nécessaire et doit être installé au-dessus de la hotte.



Planification d'une installation de type recyclage

Un conduit de recyclage de l'air (inclus) et un filtre à charbon (inclus) sont nécessaires pour une installation de type recyclage de l'air.

Planification de l'alimentation électrique

L'emplacement de la connexion d'alimentation électrique est indiqué dans la section Installation du support de la hotte.

ALIMENTATION ÉLECTRIQUE

IMPORTANT – (veuillez lire attentivement)

⚠ AVERTISSEMENT

POUR VOTRE SÉCURITÉ, CET APPAREIL DOIT ÊTRE CORRECTEMENT MIS À LA TERRE.

Enlevez le fusible ou déclenchez le disjoncteur au panneau de distribution électrique avant d'entreprendre l'installation.

N'utilisez pas de cordon prolongateur ni de fiche d'adaptation avec cet appareil. Respectez le Code national de l'électricité ou la réglementation et les exigences locales en vigueur.

Alimentation électrique

Ces hottes sont conçues pour une alimentation électrique de 120 V et 60 Hz, et doivent être branchées à un circuit de dérivation individuel correctement mis à la terre et protégé par un disjoncteur de 15 ou 20 ampères ou par un fusible temporisé.

- Le câblage doit comprendre deux fils plus un fil de mise à la terre.
- Si votre système d'alimentation électrique ne répond pas aux exigences ci-dessus, demandez conseil auprès d'un électricien qualifié avant de débiter l'installation.
- Acheminez le câblage électrique le plus près possible de l'emplacement d'installation de la hotte dans le plafond ou dans le mur.
- Effectuez les branchements de votre câblage résidentiel conformément aux codes en vigueur.

Instructions de mise à la terre

Le conducteur de terre doit être raccordé à une partie métallique, un câblage permanent, ou une borne ou un câble de mise à la terre de la hotte.

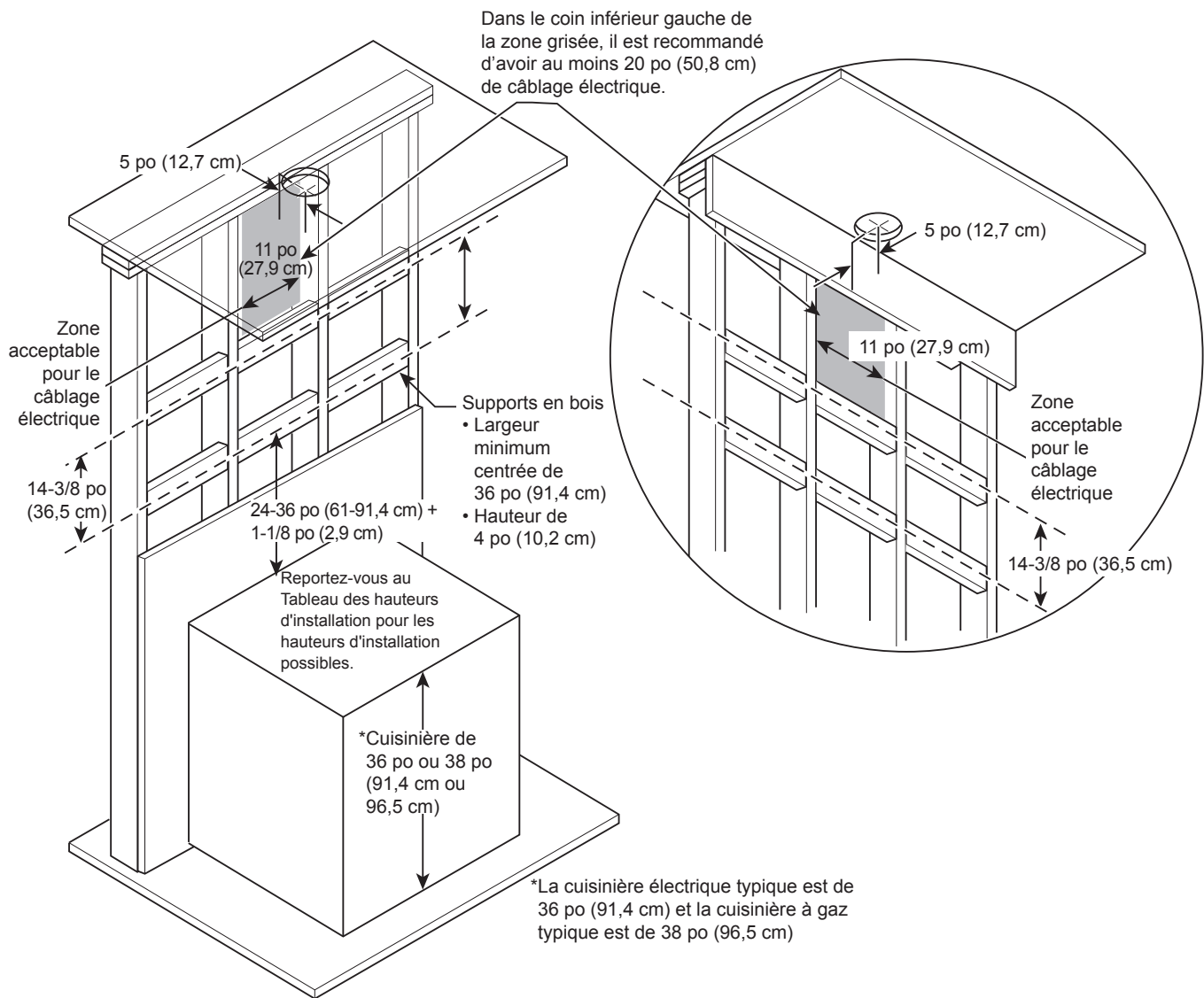
⚠ AVERTISSEMENT

Un raccordement inadéquat du conducteur de terre de l'équipement peut accroître les risques de choc électrique. En cas de doute quant à la mise à la terre de l'appareil, consultez un électricien qualifié ou un représentant du service après-vente.

NOUVELLE CONSTRUCTION, PRÉ-PLANIFICATION OU RÉNOVATION

REMARQUE : Pour les constructions existantes, passez à la section Installation du support de la hotte.

- Installez des supports en bois horizontaux entre 2 montants muraux alignés avec les emplacements de hauteur de montage verticale indiqués dans l'illustration.
- Les supports horizontaux doivent affleurer les montants du côté de la pièce.
- Pour une installation avec conduit, le trou pour le conduit dans le plafond doit être centré à une distance de 5 po (12,7 cm) du mur arrière fini.
- Le support inférieur s'aligne sur le support de montage de la hotte. Cette hauteur dépend de la hauteur souhaitée de la hotte.
- Le support supérieur doit affleurer le plafond.
- Le câblage électrique peut être situé à 5-1/2 po (14 cm) à gauche ou à droite (la boîte de jonction est à gauche) de la ligne médiane. Doit rester à 7/16 po (11,1 mm) au-dessus du panneau arrière et à 5 po (12,7 cm) du plafond, voir l'illustration à la page suivante.

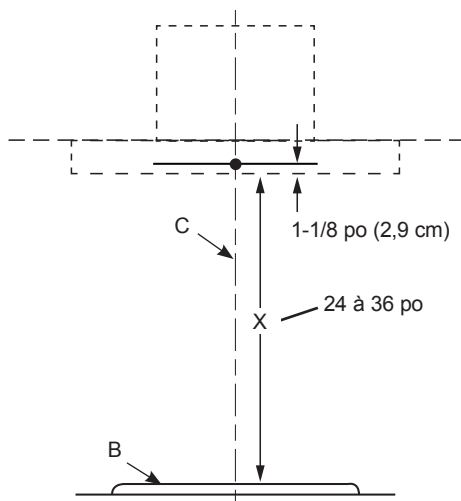


Installation

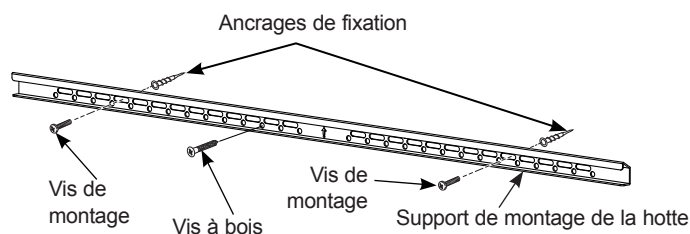
INSTALLATION DU SUPPORT DE LA HOTTE

Caisson de la hotte

1. Recouvrez la surface située au-dessous de l'emplacement de la hotte pour la protéger des saletés et/ou des dommages.
2. Déterminez la position de la ligne centrale (C) sur le mur à l'emplacement où la hotte sera installée et tracez une ligne vers le plafond. En vous basant sur la hauteur du plafond, déterminez la distance minimale requise de 24 po (61 cm) et la distance maximale recommandée de 36 po (91,4 cm) (X) nécessaires entre la surface de cuisson (B) et le bas de la hotte. Tracez une ligne horizontale au X. Alignez le gabarit d'installation afin que sa partie inférieure soit centrée et à niveau avec la ligne horizontale dessinée à la hauteur X.

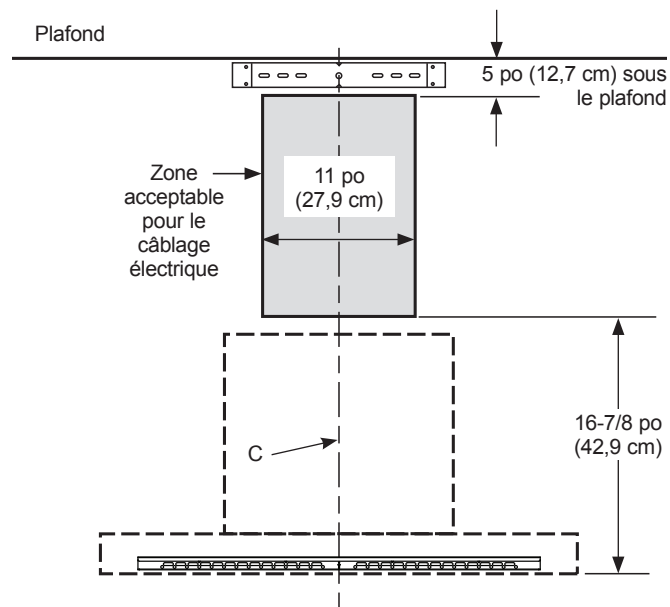


3. Trouvez les emplacements des montants et marquez-les sur le gabarit.
4. Placez le support de montage de la hotte (G) sur son contour sur le gabarit. Marquez au moins un emplacement de vis à bois (L) qui se trouve sur un montant. Si un autre montant ne peut être détecté, marquez au moins deux autres emplacements de vis pour l'ancrage de fixation, un de chaque côté de la vis à bois (L). Retirez le support du mur et installez les ancrages de fixation (H). Remplacez le support de montage de la hotte (G) sur le mur et fixez-le à l'aide des vis à bois (L) et des vis de montage (D) selon les besoins. Il est recommandé de créer un trou pilote dans les montants pour les vis à bois (L).



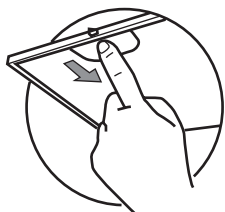
Cache-conduits et alimentation électrique

1. Placez l'autre support du cache-conduit (E) contre le mur de telle sorte que son rebord soit, à niveau, contre le plafond, en vous assurant que les fentes sont en contact direct avec le mur. Alignez les encoches centrales du support et de la ligne centrale. Marquez l'emplacement des trous de vis les plus éloignés de la ligne centrale. Si l'un des trous de vis s'aligne sur un montant, une vis à bois sera utilisée pour cet emplacement. Pour l'autre trou ou s'il n'y a pas de montants, installez 2 ancrages de fixation (H). Remplacez le support du cache-conduit (E) sur le mur et fixez-le à l'aide des vis à bois (L) et des vis de montage (D) selon les besoins.
2. Le câblage électrique de la maison doit se trouver dans la zone ombrée illustrée ci-dessous. Dans le coin inférieur gauche de la zone ombrée, un câblage électrique minimum de 20 po (50,8 cm) est recommandé pour atteindre la boîte de jonction électrique de la hotte.



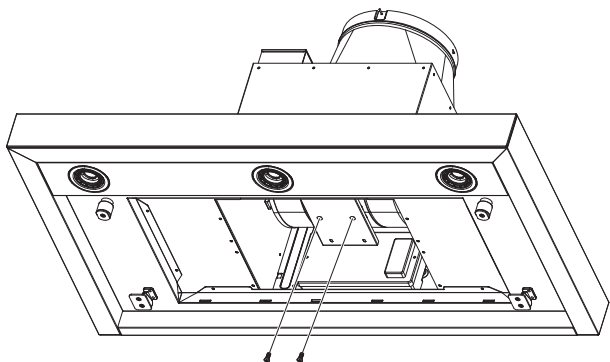
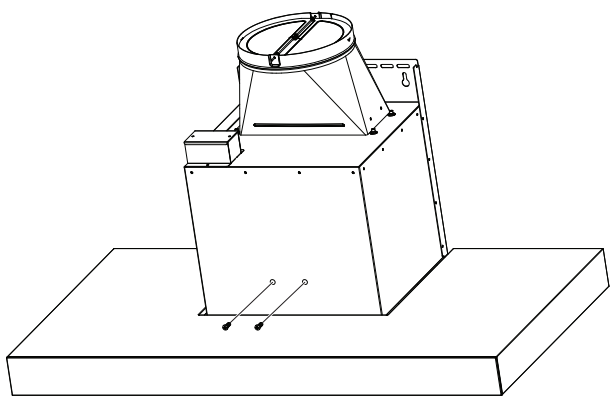
INSTALLATION DE LA HOTTE

Enlevez les filtres à graisse de la hotte et mettez-les de côté. Pour enlever les filtres à graisse, appuyez sur la poignée située sur le devant du filtre. Lorsque vous remplacez les filtres, assurez-vous qu'ils sont correctement positionnés, les poignées à l'avant et visibles.

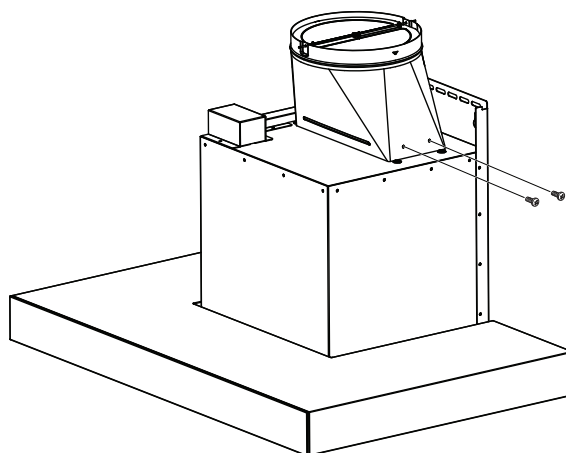


REMARQUE : Sur certains modèles, le panneau avant recouvre les filtres et doit être abaissé pour accéder aux filtres.

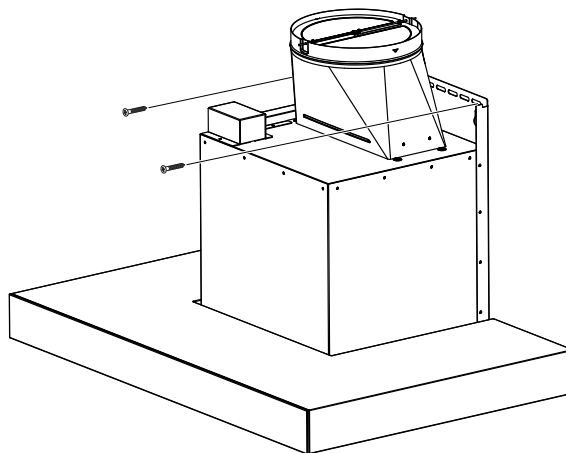
REMARQUE : Ce support doit être retiré avant l'installation. Retirez 2 vis avant et 2 vis inférieures selon l'illustration ci-dessous.



1. Poussez fermement le registre sur le dessus de l'ouverture de la sortie de l'évacuation. Vérifiez que le registre s'ouvre librement. Fixez le registre à la hotte à l'aide des vis à métaux (J) fournies.



2. Enlevez et jetez de façon adéquate l'emballage en plastique protégeant la hotte et le filtre à graisse. Retirez le gabarit du mur.
3. Fixez la hotte :
 - À l'aide de 2 personnes ou plus, soulevez la hotte et placez-la sur le support de montage de la hotte. Assurez-vous que le support s'engage complètement dans le caisson de la hotte.
 - Vissez les 2 vis de montage (D) ou vis à bois (L) au besoin dans les trous désignés du panneau arrière.

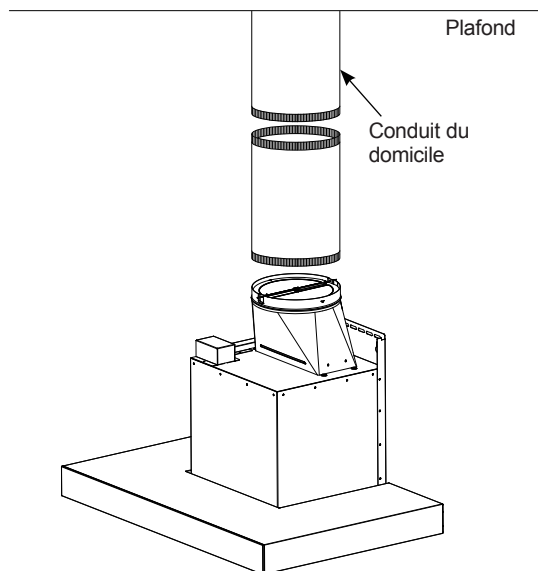


Installation

INSTALLATION DE LA HOTTE (suite)

A Installations avec système de ventilation

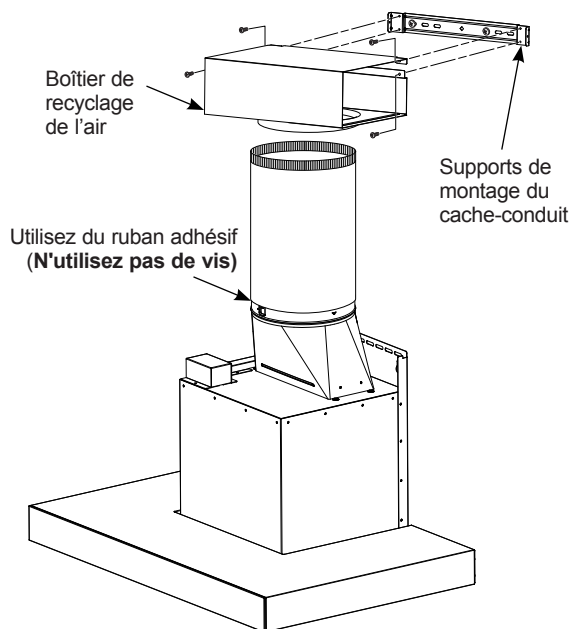
Raccordez le conduit de la maison au registre sur le caisson de la hotte. Scellez tous les raccords avec du ruban adhésif en toile. (N'utilisez pas de vis.)



B Recyclage de l'air (sans évént)

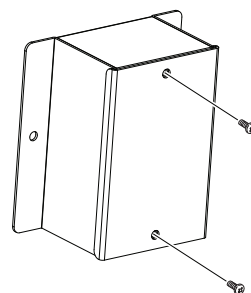
REMARQUE : Un boîtier de recyclage de l'air, un filtre à charbon et un support sont inclus avec la hotte et sont nécessaires pour l'installation de type recyclage de l'air.

1. Fixez le boîtier de recyclage de l'air au conduit au-dessus du support de montage à l'aide de 4 vis à métaux (J).
2. Raccordez le conduit de la sortie d'échappement de la hotte au boîtier de recyclage de l'air. Utilisez du ruban adhésif pour sceller les raccords sur le boîtier de recyclage de l'air et la sortie d'échappement.

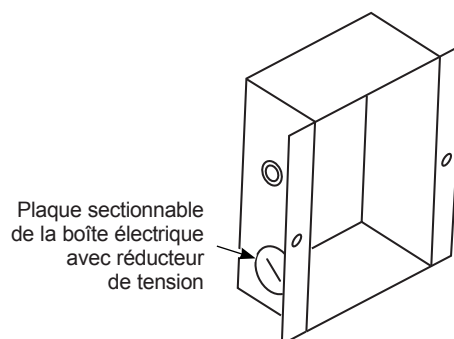


BRANCHEMENT ÉLECTRIQUE

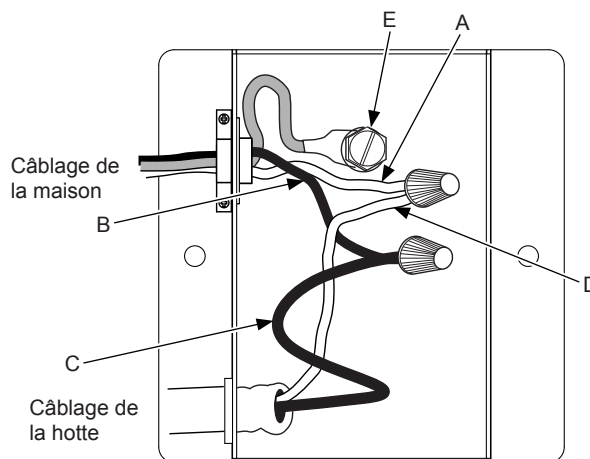
1. Retirez le couvercle de la boîte de jonction.



2. Retirez la plaque sectionnable de la boîte électrique.



3. Passez le câble d'alimentation par le trou et fixez-le avec un réducteur de tension.
4. Raccordez le fil blanc de l'alimentation électrique (A) au fil blanc de la hotte (D) à l'aide d'un capuchon de connexion. Raccordez le fil noir de l'alimentation électrique (B) au fil noir de la hotte (C) à l'aide d'un capuchon de connexion. Connectez le fil de mise à la terre de la maison sous la vis de mise à la terre verte (E).



5. Rattachez le couvercle de la boîte de jonction.

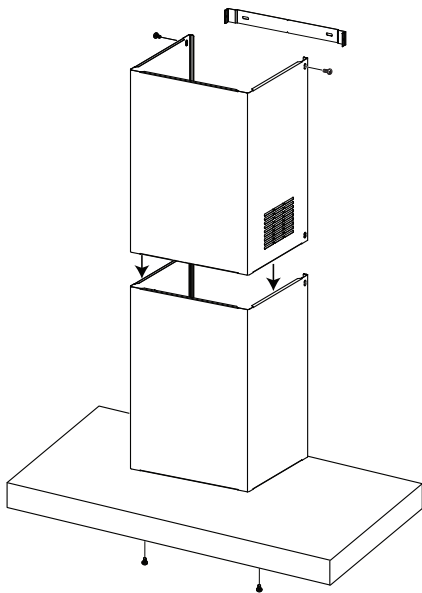
INSTALLATION DES CACHE-CONDUITS

1. **Pour une installation avec conduit de type recyclage de l'air :** Enlevez le film protecteur des couvre-conduits. Placez le cache-conduit du conduit supérieur afin qu'il glisse vers le bas à l'intérieur du cache-conduit du conduit inférieur.

REMARQUE : Pour le recyclage de l'air, le cache-conduit supérieur peut être installé avec des événements d'évacuation sur le dessus pointant vers le plafond.

En fonction du chevauchement entre les cache-conduits supérieur et inférieur, le haut peut être inversé pour masquer les orifices de ventilation. Reportez-vous au Tableau des hauteurs d'installation pour les hauteurs possibles.

Placez l'ensemble des couvre-conduits en les positionnant de manière à ce qu'ils se fixent correctement sur la hotte. Terminez la fixation du cache-conduit du conduit inférieur sur la hotte à l'aide de deux vis à métaux (J) qui se vissent sous la hotte.



2. Installez le cache-conduit du conduit supérieur en le soulevant doucement jusqu'au plafond. Poussez le cache-conduit du conduit contre le mur, puis utilisez deux vis à métaux (J) pour monter le conduit supérieur sur le support de montage du conduit.
3. Si vous utilisez la fonction de recyclage de l'air, installez les filtres à charbon. Ensuite, réinstallez les filtres à graisse sur la hotte; consultez la section Filtres.
4. Rétablissez l'alimentation électrique. Faites partir le ventilateur et la lumière. Si la hotte ne fonctionne pas, assurez-vous que le disjoncteur n'est pas déclenché ou que les fusibles de votre domicile ne sont pas grillés. Si l'appareil ne fonctionne toujours pas, débranchez l'alimentation électrique et vérifiez que les connexions ont été effectuées correctement.

Installation

TECHNOLOGIE D'AIR D'APPOINT

REMARQUE DESTINÉE AUX INSPECTEURS : Ce produit est équipé d'une fonction d'installation simple qui limite les niveaux maximum de débit afin de se conformer à certains codes ou règlements locaux. Cette méthode d'installation peut ne pas être nécessaire pour toutes les installations. Veuillez consulter les codes locaux pour obtenir des instructions supplémentaires.

⚠ ATTENTION La hotte doit être débranchée de l'alimentation principale avant de suivre les instructions de conversion ci-dessous. Ne pas le faire pourrait entraîner des blessures ou endommager le produit.

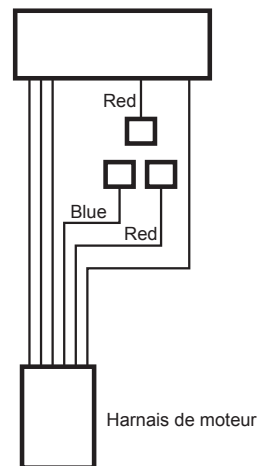
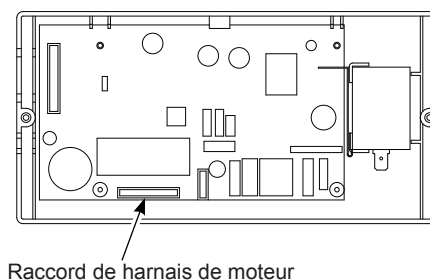
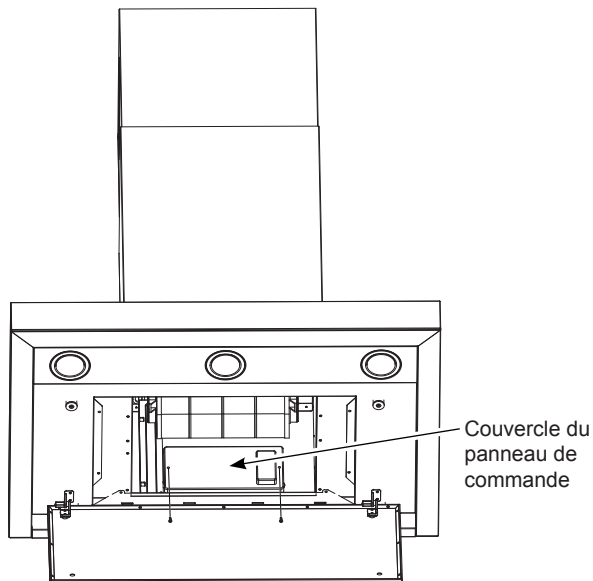
Pour modifier l'appareil (si nécessaire pour les codes locaux) :

390CFM ou 290CFM

De par la conception, la vitesse maximale du ventilateur est supérieure à 400 pi³/min (11,33 m³/min). Pour les codes locaux exigeant une réduction du débit par minute, modifiez le câblage comme décrit ci-dessous :

1. Ouvrez le panneau du filtre et retirez les filtres.
2. Retirez le couvercle du panneau de commande.
3. Localisez le harnais de moteur branché au panneau de commande.
4. **A - Pour un maximum de 390 pi³/min (11 m³/min), l'appareil peut fonctionner avec 4 vitesses (basse, moyenne, élevée ou suralimentée).**
 1. Débranchez du fil rouge le raccord du fil bleu.
 2. Connectez les 2 fils rouges ensemble.
 3. Coupez le raccord bleu non utilisé et sertissez l'extrémité, au besoin.
- B - Pour un maximum de 290 pi³/min (8,2 m³/min), l'appareil peut fonctionner avec 3 vitesses (basse, moyenne ou élevée).**
 1. Débranchez du fil rouge le raccord du fil bleu.
 2. Coupez le raccord bleu non utilisé et sertissez l'extrémité, au besoin.
5. Rattachez le couvercle du panneau de contrôle et installez les filtres; consultez la section Filtres.

Remarque destinée aux inspecteurs : Pour vérifier que ce produit a été installé dans l'une des configurations, vérifiez les connexions de câblage du moteur comme décrit ci-dessus.



Conseils de dépannage ... Avant de contacter le service de dépannage

Économisez du temps et de l'argent! Reportez-vous au tableau suivant pour éviter tout appel de service qui ne serait pas nécessaire.

Problème	Causes possibles	Correctifs
Le ventilateur ou la lumière ne fonctionne pas lorsqu'ils sont activés	Un fusible de la maison peut être grillé ou un disjoncteur s'est déclenché.	Remplacez le fusible ou réinitialisez le disjoncteur.
Circulation d'air qui émet un bruit fort ou anormal	Le conduit d'évacuation installé n'est pas du bon diamètre.	Cette hotte requiert un conduit de 8 po (20,3 cm) pour fonctionner de façon optimale. L'utilisation d'un conduit plus petit diminuera le débit d'évacuation de l'air. Minimisez la longueur du conduit et le nombre de transitions et de coudes. Les techniciens de service de GE Appliances ne peuvent corriger ce problème si l'installation n'a pas été effectuée correctement.
Le ventilateur ne parvient pas à faire circuler l'air ou déplace l'air plus lentement qu'à la normale et/ou le débit d'air émet un bruit fort ou anormal	Le conduit est obstrué.	Assurez-vous que rien ne bloque l'évent. Assurez-vous que votre registre mural ou votre chapeau de toit est muni d'une ailette de protection ou d'un clapet.
	Le clapet mural ou le chapeau de toit ne doit pas être ouvert.	Assurez-vous également que le registre bouge librement. Le clapet du registre peut se retourner et il ne s'ouvrira pas complètement lorsque cela arrive. Remplacez le clapet à sa position d'origine.
	Le filtre à graisse métallique et le filtre à charbon (le cas échéant) peuvent être sales.	Nettoyez le filtre à graisse métallique et remplacez le filtre à charbon (le cas échéant). Voir la section « Entretien et nettoyage » de la hotte.
	Air d'appoint (de remplacement) insuffisant.	Une quantité d'air d'appoint (de remplacement) suffisante est nécessaire pour que les appareils d'évacuation fonctionnent selon la capacité pour laquelle ils ont été conçus. Consultez les codes du bâtiment locaux, ceux-ci pourraient exiger ou fortement recommander l'usage d'air d'appoint. Visitez www.electromenagersge.ca pour connaître les solutions d'air d'appoint offertes.
Défaillance prématurée des lumières	La puissance de la lumière est trop élevée.	Remplacez la lumière par une lumière de la bonne puissance (watt).
Le ventilateur démarre et s'arrête sans cesse	Il est probable que le moteur surchauffe et qu'il s'arrête par lui-même. Cela peut endommager le moteur.	Vérifiez que les filtres sont propres. Si le cycle continue, appelez le service de dépannage.
La hotte ne fonctionnera pas à distance	Problèmes de routeur, pas de signal sans fil, etc.	Pour obtenir de l'aide sur la connectivité du réseau sans fil de la hotte, veuillez appeler au 1-800-220-6899.
	La hotte n'est pas connectée.	

Garantie des hottes de cuisinière à évacuation d'Électroménagers GE

electromenagersge.ca

Toutes les réparations sous garantie sont effectuées par nos Centres de réparation ou par nos réparateurs agréés Customer Care®. Pour faire la demande d'une réparation en ligne, visitez le www.electromenagersge.ca/fr/soutien ou appelez au 1-800-GE-CARES (432-2737). Veuillez avoir les numéros de série et de modèle de votre appareil à portée de main lorsque vous appelez pour obtenir un service.

Au Canada, téléphonez au 1-800-561-3344 ou visitez www.electromenagersge.ca.

La réparation de votre appareil peut nécessiter l'utilisation d'un accès embarqué aux données pour déterminer le diagnostic. Cela permet à un technicien de réparation d'Électroménagers GE de diagnostiquer rapidement tout problème avec votre appareil, et aide Électroménagers GE à améliorer ses produits en lui fournissant de l'information sur votre appareil. Si vous ne voulez pas que les données de votre appareil soient transmises à Électroménagers GE, veuillez aviser le technicien de ne pas transmettre de données à Électroménagers GE au moment de la réparation.

Pendant une période de	Électroménagers GE remplacera
Un an À compter de la date d'achat d'origine	Toute pièce de l'appareil de cuisson qui se révèle défectueuse en raison d'un vice de matériau ou de fabrication. Au cours de cette garantie limitée d'un an , MC Commercial Inc. fournira, sans frais , tous les coûts de main-d'œuvre et de service liés au remplacement de la pièce défectueuse.

Ce que Électroménagers GE ne couvre pas :

- Toute visite à votre domicile pour vous expliquer le fonctionnement de l'appareil.
- L'installation, la livraison ou l'entretien inappropriés de l'appareil.
- Toute défectuosité du produit lorsqu'il a été utilisé de façon abusive ou inadéquate, ou employé à toute autre fin que celle pour laquelle il a été conçu, modifié ou utilisé à des fins commerciales.
- Le remplacement des fusibles ou le réenclenchement des disjoncteurs.
- Tout dommage au produit attribuable à un accident, à un incendie, à une inondation ou à une catastrophe naturelle.
- Tout dommage au revêtement, comme de la rouille sur la surface, le ternissement et les petits défauts non signalés au cours des 48 heures suivant la livraison de l'appareil.
- Tout dommage accessoire ou indirect, causé par des défaillances possibles de l'appareil.
- Tout dommage causé après la livraison.
- Tout produit auquel il n'est pas possible d'accéder pour effectuer les réparations nécessaires.
- La réparation ou le remplacement d'ampoules, à l'exception de DEL.

EXCLUSIONS DES GARANTIES IMPLICITES

Votre seul et unique recours est de faire réparer le produit dans le cadre de cette garantie limitée. Toute garantie implicite, incluant la garantie de qualité marchande ou d'aptitude du produit à un usage particulier, est limitée à un an ou à la période la plus courte autorisée par la loi.

Cette garantie est offerte à l'acheteur initial, ainsi qu'à tout propriétaire subséquent d'un produit acheté en vue d'une utilisation domestique aux États-Unis. Si le produit se situe dans une zone où aucun réparateur agréé par Électroménagers GE n'est disponible, vous devrez peut-être assumer les frais de déplacement de celui-ci ou apporter le produit à un atelier de réparation agréé par Électroménagers GE. En Alaska, la garantie exclut les coûts d'expédition et les appels de service nécessitant une visite à domicile. Dans certaines provinces, il est interdit d'exclure ou de limiter les dommages indirects ou accessoires. Il est alors possible que les limitations ou exclusions ci-dessus ne s'appliquent pas dans votre cas. La présente garantie vous confère des droits juridiques spécifiques. Vous pouvez bénéficier d'autres droits, qui varient d'une province à l'autre. Pour connaître les droits dont vous bénéficiez dans votre province, communiquez avec le bureau des Relations avec les consommateurs de votre région ou de votre province.

Au Canada : Cette garantie est offerte à l'acheteur initial, ainsi qu'à tout propriétaire subséquent d'un produit acheté au Canada en vue d'une utilisation domestique au Canada. Si le produit se situe dans une zone où aucun réparateur agréé par GE n'est disponible, vous devrez peut-être assumer les frais de déplacement de celui-ci ou apporter le produit à un atelier de réparation agréé par GE. Dans certaines provinces, il est interdit d'exclure ou de limiter les dommages indirects ou accessoires. La présente garantie vous confère des droits juridiques spécifiques. Vous pouvez bénéficier d'autres droits, qui varient d'une province à l'autre. Pour connaître les droits dont vous bénéficiez dans votre province, contactez le bureau des Relations avec les consommateurs de votre région ou de votre province.

Garant : Électroménagers GE, une entreprise de Haier

Garant au Canada : MC Commercial Burlington, ON, L7R 5B6

Garanties prolongées : Procurez-vous une garantie prolongée Électroménagers GE et informez-vous au sujet des rabais spéciaux offerts tout au long de la durée de votre garantie. Vous pouvez vous la procurer en ligne en tout temps à

www.electromenagersge.ca/fr/soutien/achat-d-une-garantie-prolongee

ou en appelant au 1-800-626-2224 durant les heures normales de bureau. Le service à la clientèle d'Électroménagers GE sera toujours disponible après expiration de votre garantie.

Au Canada : communiquez avec le fournisseur de la garantie prolongée.

Agrafez votre facture ici. Une preuve de la date d'achat d'origine est requise pour obtenir des services sous garantie.

Accessoires

Vous manquez de quelque chose?

Électroménagers GE propose une panoplie d'accessoires qui permettent d'améliorer votre expérience de cuisson et de nettoyage!

Reportez-vous à la page du service à la clientèle pour obtenir les numéros de téléphone et des informations sur le site Web.

Les produits suivants, et d'autres, sont offerts :

Pièces

Ensemble du cordon d'alimentation

Système d'air d'appoint

Filtre à charbon

Nécessaire de recyclage de l'air

Télécommande

Ensemble de cache-conduit pour plafond haut de 12 pi (3,7 m)

Ensemble de cache-conduit pour plafond haut de 14 pi (4,3 m)

Fournitures de nettoyage

Lingettes CitruShine^{MC} pour acier inoxydable

Nettoyant pour électroménager en acier inoxydable CERAMA BRYTE^{MD}

Bar Keepers Friend Soft Cleanser^{MC}

Service à la clientèle

Site Web des électroménagers GE

Vous avez des questions ou besoin d'assistance concernant votre appareil? Consultez le site Web d'Électroménagers GE, accessible 24 heures sur 24, tous les jours de l'année! Vous pouvez également acheter d'autres excellents produits d'Électroménagers GE et bénéficier de tous nos services de soutien en ligne conçus pour votre commodité. Aux États-Unis **GEAppliances.com**.

Au Canada : **electromenagersge.ca**.

Enregistrer votre appareil

Enregistrez votre nouvel appareil en ligne au moment qui vous convient le mieux! L'enregistrement de votre produit dans les délais prescrits permet une meilleure communication et un service rapide, selon les modalités de votre garantie, si besoin est. Vous pouvez également envoyer par courrier la carte d'enregistrement préimprimée qui se trouve dans l'emballage de votre appareil. Aux États-Unis **GEAppliances.com/register**.

Au Canada : **geappliances.ca**.

Demande de service

Pour bénéficier du service de réparation d'Électroménagers GE, il suffit de nous contacter. Vous pouvez demander une réparation en ligne à toute heure du jour, au moment qui vous convient le mieux. Aux États-Unis **GEAppliances.com/service** ou téléphonez au 1-800-432-2737 pendant les heures normales d'ouverture.

Au Canada : **www.electromenagersge.ca** téléphonez au 1-800-561-3344.

Garanties prolongées

Procurez-vous une garantie prolongée Électroménagers GE et informez-vous au sujet des rabais spéciaux offerts tout au long de la durée de votre garantie. Vous pouvez vous la procurer en ligne en tout temps. Le service à la clientèle d'Électroménagers GE sera toujours disponible après expiration de votre garantie. Aux États-Unis

GEAppliances.com/extended-warranty

ou appelez le 1-800-626-2224 durant les heures normales de bureau.

Au Canada, communiquez avec le fournisseur de la garantie prolongée.

Connectivité à distance

Pour de l'assistance concernant la connectivité réseau sans fil (pour les modèles avec activation à distance), visitez notre site Web à **GEAppliances.com/connected-home-smart-appliances/** ou composez le 1-800-220-6899 aux États-Unis.

Pièces et accessoires

Les personnes ayant les compétences requises pour réparer elles-mêmes leurs appareils peuvent recevoir directement à la maison des pièces ou accessoires (les cartes VISA, MasterCard et Discover sont acceptées). Commandez en ligne dès aujourd'hui, 24 heures sur 24.

Au Canada : **electromenagersge.ca** ou téléphonez au 1-877-959-8688 pendant les heures normales d'ouverture.

Les directives fournies dans le présent manuel comportent des procédures que n'importe quel utilisateur peut effectuer. Les autres types de réparation doivent généralement être confiés à un technicien qualifié. Faites preuve de prudence : une réparation ou un entretien mal effectué peut rendre l'utilisation de l'appareil dangereuse.

Les clients au Canada doivent consulter les pages jaunes pour connaître le centre de réparation Mabe le plus proche, visitez notre site Web à **electromenagersge.ca ou téléphonez au 1-800-661-1616.**

Pour nous joindre

Si vous n'êtes pas satisfait du service après-vente d'Électroménagers GE, communiquez avec nous sur notre site Web en fournissant tous les détails et votre numéro de téléphone, ou écrivez à :

Aux États-Unis General Manager, Customer Relations | GE Appliances, Appliance Park | Louisville, KY 40225

GEAppliances.com/contact

Au Canada : Directeur, relations avec les consommateurs, Mabe Canada Inc. | bureau 310, 1 Factory Lane | Moncton, NB E1C 9M3

electromenagersge.ca/fr/contactez-nous
