

Owner's Manual

Dishwasher

ZBD1850

ZBD1870



Introduction

Your new Monogram dishwasher makes an eloquent statement of style, convenience and kitchen planning flexibility. Whether you chose it for its purity of design, practical features or assiduous attention to detail—or for all of these reasons—you'll find that your Monogram dishwasher's superior blend of form and function will delight you for years to come.

The information on the following pages will help you operate and maintain your dishwasher properly. If you have any other questions, visit our Website at: monogram.com

Contents

Appliance Registration	3	Problem Solver	15-17
(For Customers in Canada Only)	19, 20	Safety Instructions	4, 5
Care and Cleaning	12-14	Warranty	21
Consumer Services	3, 22		
Model and Serial Number Location	3		
Operating Instructions	6-11		
Control Panel and Operation	6, 7		
Water Temperature	8		
Rinse Agent	8		
Detergents	9		
Dishwasher Racks	10, 11		

Before using your dishwasher

Read this manual carefully. It is intended to help you operate and maintain your new dishwasher properly.
Keep it handy for answers to your questions.

If you don't understand something or need more help, there is a list of toll-free consumer service numbers included on the Consumer Services page in the back section of this manual.

OR

Visit our Website at: monogram.com

Write down the model & serial numbers

You can locate your model and serial numbers on the tub wall just inside the door.

Before sending in the card, please write these numbers here:

Model Number

Serial Number

Use these numbers in any correspondence or service calls concerning your dishwasher.

If you received a damaged dishwasher

Immediately contact the dealer (or builder) that sold you the dishwasher.

Save time & money

Before you request service, check the Problem Solver in the back of this manual.

It lists causes of minor operating problems that you can correct yourself.

If you need service

To obtain service, see the Consumer Services page in the back of this manual.

We're proud of our service and want you to be pleased. If for some reason you are not happy with the service you receive, here are steps to follow for further help.

FIRST, contact the people who serviced your appliance. Explain why you are not pleased. In most cases, this will solve the problem.

NEXT, if you are still not pleased, contact us on our website, write all the details—including your phone number—or write to:

Manager, Customer Relations
GE Appliances
Appliance Park
Louisville, KY 40225

IMPORTANT SAFETY INSTRUCTIONS

READ ALL INSTRUCTIONS BEFORE USE

SAVE THESE INSTRUCTIONS

⚠ WARNING!

For your safety, the information in this manual must be followed to minimize the risk of fire or explosion, electric shock, and to prevent property damage, personal injury, or death.

⚠ WARNING! WATER HEATER SAFETY

*Under certain conditions, hydrogen gas may be produced in a water heater that has not been used for two weeks or more. **HYDROGEN GAS IS EXPLOSIVE.***

If the hot water has not been used for two weeks or more, prevent the possibility of damage or injury by turning on all hot water faucets and allow them to

run for several minutes. Do this before using any electrical appliance which is connected to the hot water system. This simple procedure will allow any built-up hydrogen gas to escape. Since the gas is flammable, do not smoke or use an open flame or appliance during this process.

⚠ PROPER INSTALLATION AND MAINTENANCE

This dishwasher must be properly installed and located in accordance with the Installation Instructions before it is used. If you did not receive an Installation Instructions sheet with your dishwasher, you can receive one by visiting our website at monogram.com.

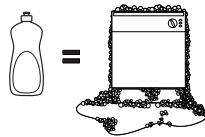
- Connect to a grounded metal, permanent wiring system; or run an equipment-grounding conductor with the circuit conductors and connect to the equipment-grounding terminal or lead of the appliance.
- Improper connection of the equipment-grounding conductor can result in a risk of electric shock. Check with a qualified electrician or service representative if you are in doubt whether the appliance is properly grounded.
- Dispose of discarded appliances and shipping or packing material properly.
- Do not attempt to repair or replace any part of your dishwasher unless it is specifically recommended in this manual. All other servicing should be referred to a qualified technician.
- To minimize the possibility of electric shock, disconnect this appliance from the power supply before attempting any maintenance.

NOTE: *Turning the dishwasher off does not disconnect the appliance from the power supply. We recommend having a qualified technician service your appliance.*

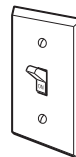
⚠ CAUTION: *To prevent minor injury or property damage*

- Contents washed in Anti-bacterial mode, if available, may be hot to the touch. Use care before handling.

- Using a detergent that is not specifically designed for dishwashers will cause the dishwasher to fill with suds.



- If your dishwasher is connected to a wall switch, ensure that the switch is on prior to use.
- On dishwashers with electronic controls, if you choose to turn the wall switch off between wash cycles, allow 5–10 seconds after turning the switch on before touching ON/OFF to allow the control to initialize.



- Non-Dishware Items: Do not wash items such as electronic air cleaner filters, furnace filters and paint brushes in your dishwasher. Damage to dishwasher and discoloration or staining of dishwasher may result.
- Close supervision is necessary if this appliance is used by or near children.
- Load light, plastic items so they will not become dislodged and drop to the bottom of the dishwasher—they might come into contact with the heating element and be damaged.

IMPORTANT SAFETY INSTRUCTIONS

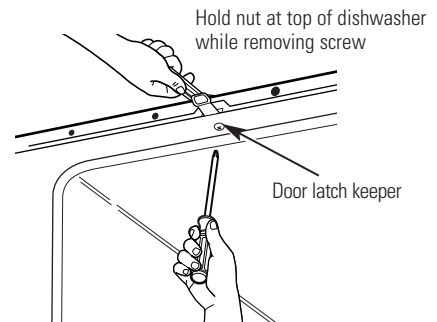
⚠ **WARNING! RISK OF CHILD ENTRAPMENT**

PROPER DISPOSAL OF THE DISHWASHER

Junked or abandoned dishwashers are dangerous...even if they will sit for "just a few days." If you are getting rid of your old dishwasher, please follow the instructions below to help prevent accidents.

Before You Throw Away Your Old Dishwasher:

- Take off the door of the washing compartment or remove the door latch keeper (as shown).



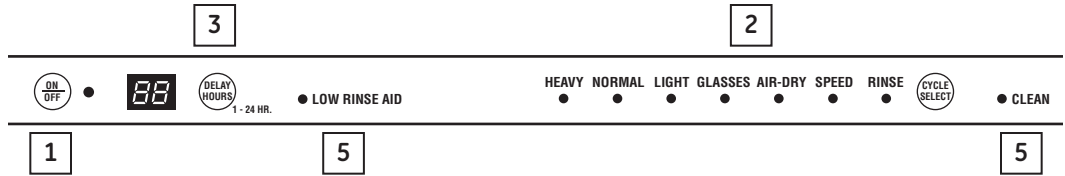
⚠ **WARNING!** *When using your dishwasher, follow basic precautions, including the following:*

- Use this appliance only for its intended purpose as described in this Owner's Manual.
- Use only powder, tabs, liquid detergents or rinse agents recommended for use in a dishwasher and keep them out of the reach of children. **Cascade®**, **Cascade® Complete** and **Electrasol®** Automatic Dishwashing Detergents, and **Jet-Dry®** and **Cascade Crystal Clear®** rinse agents have been approved for use in all GE dishwashers.
- Locate sharp items so that they are not likely to damage the door seal.
- Load sharp knives with the handles up to reduce the risk of cut-type injuries.
- Do not wash plastic items unless marked dishwasher safe or the equivalent. For plastic items not so marked, check the manufacturer's recommendations.
- Do not touch the heating element during or immediately after use.
- Do not operate your dishwasher unless all enclosure panels are properly in place.
- Do not tamper with controls.
- Do not abuse, sit on or stand on the door or dish rack of the dishwasher.
- Do not allow children to play around dishwasher when opening or closing door due to the possibility of small fingers being pinched in door.
- Do not discard a dishwasher without first removing the door or the door latch keeper of the washing compartment.
- Do not store or use combustible materials, gasoline or other flammable vapors and liquids in the vicinity of this or any other appliance.
- Do not allow children to play with, on or inside this appliance or any discarded appliance.

**READ AND FOLLOW THIS SAFETY INFORMATION CAREFULLY.
SAVE THESE INSTRUCTIONS**

Control Panel

Dishwasher



1 ON/OFF With door open, press ON/OFF button to turn the unit ON to begin operation and OFF at the end of a wash cycle. The ON/OFF light is displayed when the dishwasher is ON.

2 WASH CYCLE SELECTIONS Press CYCLE SELECT button to choose wash cycle. The light under the cycle name will display to indicate which cycle has been selected.

NOTE: All cycle times and water usage information contained in this section are approximate values. Actual results will depend on several factors including, but not limited to, inlet water temperature and household water pressure.

HEAVY	6.2 gallons, 125 minutes This cycle is meant for heavily soiled dishes or cookware with dried-on or baked-on soils. This cycle may not remove burned-on foods. Everyday dishes are safe to be used in this cycle. This cycle also includes heated dry.
NORMAL	5.3 gallons, 100 minutes This cycle is meant for loads of everyday dishes, glasses and cookware with medium soils that have not been pre-rinsed. This cycle also includes heated dry.
LIGHT	4.4 gallons, 85 minutes This cycle is meant for loads of everyday dishes, glasses and cookware with light soils that have been pre-rinsed. This cycle also includes heated dry.
GLASSES	3.5 gallons, 65 minutes This cycle is meant for lightly soiled glassware. This cycle has less heating during the wash and rinse to protect your glassware. This cycle also has a lower temperature heated dry.
AIR-DRY	3.5 gallons, 50 minutes This cycle is meant for loads of everyday dishes, glasses and cookware with light soils that have been pre-rinsed and should air dry naturally. This cycle does not include heated dry.
SPEED	5.3 gallons, 80 minutes This cycle is meant for loads of everyday dishes, glasses and cookware with medium soils that have not been pre-rinsed. This cycle features reduced wash times to allow for faster cycle completion. This cycle also has a reduced time heated dry.
RINSE	1 gallon, 10 minutes For rinsing partial loads that will be washed later. Do not use detergent with this cycle. This cycle does not include heated dry.

Control Panel

Dishwasher

-
- 3 DELAY HOUR SELECTION** This option allows you to delay the start of a wash cycle for up to 24 hours. With the door open, turn the dishwasher ON by pressing the ON/OFF button; then press DELAY HOURS button to choose the number of hours you want to delay the start of the wash cycle. The hours will show in the display window.
- NOTE:** To cancel the DELAY HOURS option before the start of the cycle, repeatedly press the DELAY HOURS button until the display is blank or reads "00."
-
- 4 STARTING A CYCLE** After selecting the wash cycle (Step 2) and delay hours (Step 3), if desired, close the door of the dishwasher to start the cycle or begin the DELAY HOURS countdown. When the cycle starts, the drain begins and approximately 60 seconds later the water fill begins.
-
- 5 STATUS INDICATORS**
- LOW RINSE AID** The red light will display when the rinse aid dispenser needs to be refilled with liquid rinse aid. Use of **Jet-Dry®** or **Cascade Crystal Clear®** rinse agent removes spots and prevents new film buildup on your dishes, glassware, flatware, cookware and plastics. See page 6 for instructions on refilling the rinse aid dispenser.
-
- CLEAN** The green light will display and a beep will sound to alert you that the wash cycle is complete.
-

Check the Water Temperature

The entering water should be at least 120°F and not more than 150°F for effective cleaning and to prevent dish damage. Check the water temperature with a candy or meat thermometer.

Turn on the hot water faucet nearest the dishwasher, place the thermometer in a glass and let the water run continuously into the glass until the temperature stops rising.

Use a Rinse Agent

A rinse agent improves dry performance, reduces spots and prevents new film buildup on your dishes, glasses, flatware, cookware and plastic. **Jet-Dry®** and **Cascade Crystal Clear®** are recommended rinse agents for Monogram Dishwashers.

Filling the Dispenser

The rinse agent dispenser holds 3.5 oz. of rinse agent. Under normal conditions, this will last approximately one month. Try to keep it full, but do not overfill.

1. Make sure the dishwasher door is fully open.
2. Turn the dispenser cap to the left and lift it out.

3. Add rinse agent until the indicator window looks full.

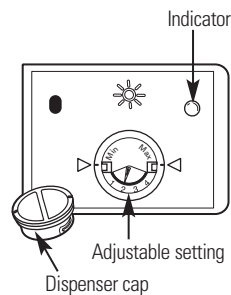
4. Clean up any spilled rinse agent with a damp cloth.

5. Replace the dispenser cap.

Rinse Aid Setting

The amount of rinse agent released into the final wash can be adjusted. The factory setting is at the midpoint. If there are rings of calcium (hard water) spots on dishes, try a higher setting. If you observe foam in the final rinse, try a lower setting.

To adjust the setting, remove the dispenser knob; then turn the adjuster counterclockwise to increase the amount of rinse agent or clockwise to reduce the amount of rinse agent dispensed.



Dish Preparation Prior to Loading

- No prerinseing of normal food soil is required if using Heavy, Normal or Speed wash cycles.
- Scrape off hard soils, bones, toothpicks, skins and seeds.
- Remove large quantities of any remaining food.
- Remove leafy vegetables, meat, trimmings and excessive amounts of grease or oil.

Detergents

Use only detergent specifically made for use in dishwashers. **Cascade®** and **Electrasol®** Automatic Dishwashing Detergents have been approved for use in all Monogram Dishwashers. Keep your detergent fresh and dry. Don't put detergent into the dispenser until you're ready to wash dishes.

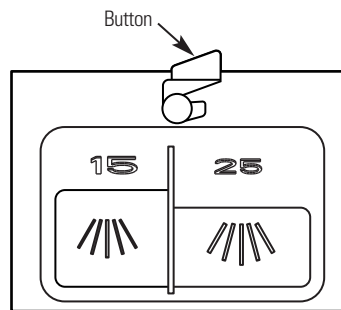
The amount of detergent to use depends on whether your water is *hard* or *soft*. With hard water, you need extra detergent. With soft water, you need less detergent.

Protect your dishes and dishwasher by contacting your water department and asking how hard your water is. Twelve or more grains is extremely hard water. A water softener is recommended. Without it, lime can build up in the water valve, which could stick while open and cause flooding. Too much detergent with soft water can cause a permanent cloudiness of glassware, called *etching*.

Use the information in the table below as a guideline to determine the amount of automatic dishwasher detergent to place in the dispenser.

When using automatic dishwasher detergent tablets, simply place one tablet in the dispenser and close the cover.

Number of Grains	Detergent Cups to Fill
Less than 4	15 cup
4 to 8	25 cup
8 to 12	15 and 25 cups
Greater than 12	15, 25 cups and the open cup



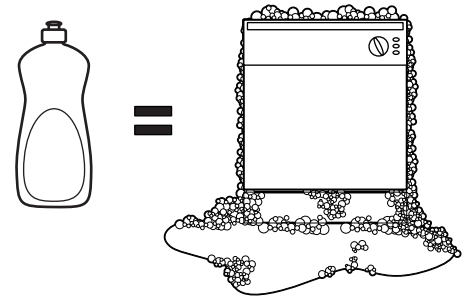
To open the wash cover, press the button and the cover will flip back.

Forget to add a dish?

A forgotten dish can be added any time before the main wash.

1. Unlatch the door to interrupt the cycle. Pull door handle to release the door.
2. Do not open the door until the water/spray action stops. Steam may rise out of the dishwasher.

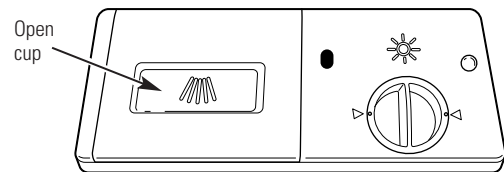
Do not use hand dish detergent.



NOTE: Using a detergent that is not specifically designed for dishwashers will cause the dishwasher to fill with suds. During operation, these suds will spill out of the dishwasher vents, covering the kitchen floor and making the floor wet.

Because so many detergent containers look alike, store the dishwasher detergent in a separate space from all other cleaners. Show anyone who may use the dishwasher the correct detergent and where it is stored.

While there will be no lasting damage to the dishwasher, your dishes will not get clean using a dishwashing detergent that is not formulated to work with dishwashers.



For heavily-soiled loads, use the Heavy cycle and add a little extra detergent.

3. Add forgotten dishes.
4. Close the door and push it in to relatch.

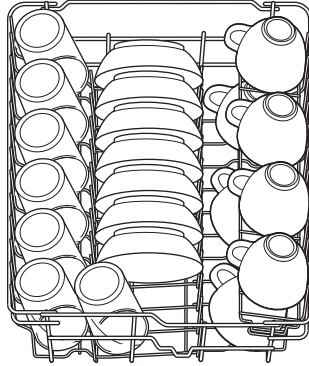
Loading the Racks

Dishwasher

For best dishwashing results, follow these loading guidelines. Features and appearance

of racks and silverware baskets may vary from your model.

Upper Rack



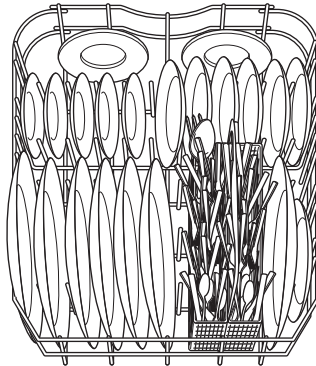
The upper rack is for glasses, cups and saucers. This is also a secure place for dishwasher-safe plastics. A cup shelf may be placed in the up or down position to add flexibility. The upper rack is good for all kinds of odd-shaped utensils. Saucepans, mixing bowls and other items should be placed face down.

Secure larger dishwasher-safe plastics over two tines when possible.

Make sure small plastic items are secure so they can't fall onto the heater.

Be sure that items do not protrude through the bottom of the rack and block rotation of the middle spray arm. This could result in poor wash performance for items in the upper rack.

Lower Rack

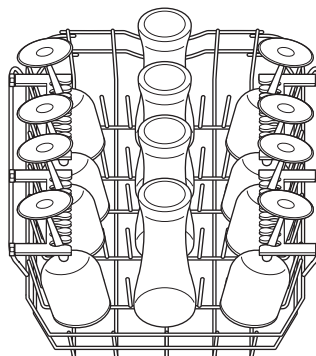


When loading the lower rack, do not load large platters or trays in the front left corner. They may prevent detergent from circulating during the wash cycle.

The lower rack is best used for plates, saucers and cookware. Large items should go along the sides. Load platters, pots and bowls along the sides, in corners or in the back. The soiled side of items should face the center of the rack.

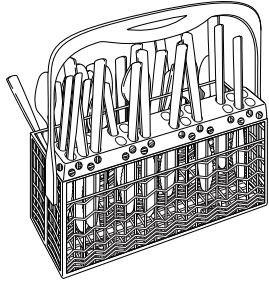
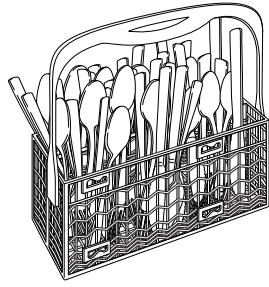
Be careful not to let a portion of any item, such as a pot or dish handle, extend through the bottom rack. This could block the wash arm and cause poor washing results.

Wine Glass Holder



The Wine Glass Holder secures wine glasses for best washability. You may also remove the silverware basket to allow for all glasses loading of the lower rack.

Silverware Basket



The silverware basket may be used without the topper for quick loading. With the topper, flatware is better positioned for the dishwasher to thoroughly wash and dry all pieces by preventing nesting.

Without the Topper

Put the flatware in the removable basket with fork and knife handles up to protect your hands. Place spoons in the basket with handles down. Mix knives, forks and spoons so they don't nest together. Distribute evenly. Small plastic items, such as measuring spoons and lids from small containers, should go in the bottom of the silverware basket with silverware on top.

With the Topper

Place small plastic items, such as measuring spoons and lids from small containers, in the bottom of the basket and snap the topper in place. Insert spoons and forks, handles first, through the holes in the topper. Place knives, blades first, through the holes in the topper.

Exterior

Cleaning the Door Panel

Before cleaning the front panel, make sure you know what type of panel you have. Refer to the last two letters of your model number. You can locate your model number on the left-hand tub wall just inside the door. If your model number ends with SS, then you have a Stainless Steel door panel.

Follow the instructions below for cleaning the door panel for your specific model.

Stainless Steel Door Panel *(model numbers ending in SS)*

The stainless steel panels can be cleaned with *Stainless Steel Magic* or a similar product using a clean, soft cloth. Do not use appliance wax, polish, bleach or products containing chlorine on Stainless Steel doors.

You can order *Stainless Steel Magic #WX10X15* through GE Parts by calling 800.626.2002.

Cleaning the Control Panel

To clean the control panel, use a lightly dampened cloth; then dry thoroughly. Do not use sharp objects, scouring pads or harsh cleaners on the control panel.

Spray Arms and Filters

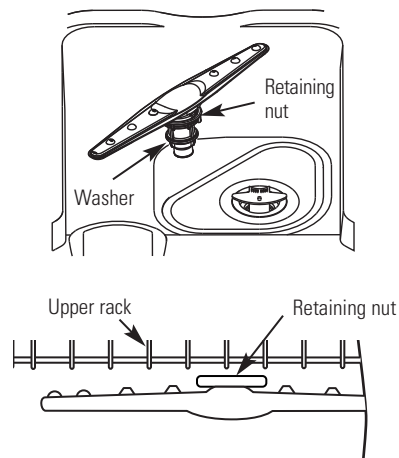
The dishwasher will flush away all normal food soils. However, objects (fruit pits, bones, etc.) may collect in openings and should be removed occasionally to avoid clogging the drain system.

▲ CAUTION: Personal injury hazard. Before cleaning the interior, wait at least 20 minutes after a cycle for the heating element to cool down. Failure to do so could result in burn injuries.

Cleaning the Spray Arms

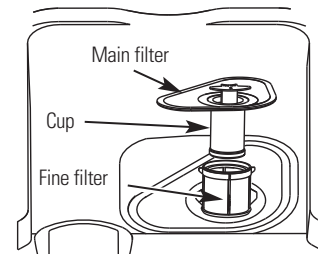
Because hard water chemicals will clog the spray arm jets and bearings, it is necessary to clean the spray arms regularly. To remove the spray arm, twist the retaining nut 90 degrees and pull the spray arm off the shaft.

Wash the arms in soapy, warm water and use a soft brush to clean the jets. Replace them after rinsing thoroughly.



Cleaning the Filters

For best performance and results, the filter assembly must be cleaned regularly. The filter efficiently removes food particles from the wash water, allowing water to be recirculated during the cycle. For this reason, it is a good idea to remove the large food particles trapped in the filter frequently by rinsing the main filter and cup under running water. To remove the filter assembly, pull up on the cup handle. The entire filter assembly should be cleaned at least once a month. To clean the main filter and fine filter, use a cleaning brush. Then, reassemble the filter parts as shown in the illustration and reinsert the entire assembly in the dishwasher, positioning it in place and pressing downward. The dishwasher must never be used without the filters. Improper replacement of the filter may reduce the performance level of the appliance and may damage dishes and utensils.



Protect Against Freezing

If your dishwasher is left in an unheated place during the winter, ask a service technician to:

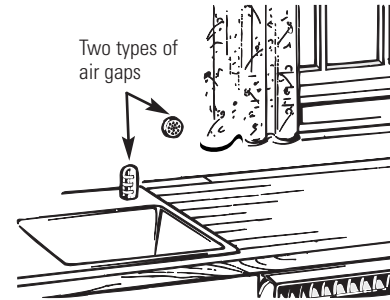
1. Cut off electrical power to the dishwasher. Remove fuses or trip circuit breaker.
2. Turn off the water supply and disconnect the water inlet line from the water valve.
3. Drain water from the water inlet line and water valve. (Use a pan to catch the water.)
4. Reconnect the water inlet line to the water valve.

Does Your Dishwasher Have an Air Gap?

An air gap protects your dishwasher against water backing up into it if a drain clogs. The air gap is not a part of the dishwasher. It is not covered by your warranty. Not all plumbing codes require air gaps, so you may not have one.

The air gap is easy to clean.

1. Turn off the dishwasher and lift off the chrome cover.
2. Remove the plastic cap and clean with a toothpick.



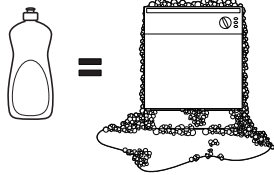
Check the air gap any time your dishwasher isn't draining well.

Stainless Steel Interior—Tub and Inner Door

The stainless steel used to make the dishwasher tub and inner door provides the highest reliability available in a Monogram dishwasher. If the dishwasher tub or inner door should be

scratched or dented during normal use, they will not rust or corrode. These surface blemishes will not affect their function or durability.

Questions?
Use this
problem
solver

PROBLEM	POSSIBLE CAUSE	WHAT TO DO
Noise	Some of the sounds you will hear are normal	<ul style="list-style-type: none"> • Detergent cup opening. • The motor starting during the drying period. • Water draining out of the tub immediately after you start the dishwasher.
	Utensils are not secure in the rack or something small has dropped into the rack	<ul style="list-style-type: none"> • Make sure everything is secured in dishwasher.
	Motor hums	<ul style="list-style-type: none"> • Dishwasher has not been used on a regular basis. If you do not use your dishwasher often, set it to fill and pump out once every week. This will help keep the seal moist. • Dishwasher control was not advanced properly to the start of the desired cycle. Advance the control to the start of the desired cycle.
Detergent left in dispenser cups	Dishes are blocking the detergent cups	<ul style="list-style-type: none"> • Reposition the dishes.
Water standing in the bottom of the tub	Drain is clogged	<ul style="list-style-type: none"> • If you have an air gap, clean it. • Check to see if your kitchen sink is draining well. If not, you may need a plumber. • If the dishwasher drains into a disposer, run disposer clear.
	This is normal	<ul style="list-style-type: none"> • A small amount of clean water around the outlet of the tub bottom at the back of the tub keeps the water seal lubricated.
Suds in the tub 	Correct detergent wasn't used	<ul style="list-style-type: none"> • Use only automatic dishwasher detergents to avoid sudsing. Cascade® and Electrasol® Dishwashing Detergents have been approved for use in all Monogram dishwashers. • To remove suds from the tub, open the dishwasher and let suds evaporate. Add 1 gallon of cold water to the tub. Close and latch the dishwasher. Pump out water by slowly turning the dial until a drain period is reached. Repeat if necessary.
	Rinse agent was spilled	<ul style="list-style-type: none"> • Always wipe up rinse agent spills immediately.
Stained dishwasher parts	Detergent with colorant was used	<ul style="list-style-type: none"> • Some detergents contain colorant (pigment or dyes) that will discolor the tub interior with extended use. Check the detergent cup for signs of any discoloration. If cup is discolored, change to detergent without any colorant. Cascade® and Electrasol® Dishwashing Detergents have been approved for use in all Monogram dishwashers.
	Some tomato-based foods can stain	<ul style="list-style-type: none"> • Use of the RINSE ONLY cycle after adding the dish to the load can decrease the level of staining.

Questions?
Use this
problem
solver

PROBLEM	POSSIBLE CAUSE	WHAT TO DO
Dishes and flatware not clean	Low inlet water temperature	<ul style="list-style-type: none"> Make sure inlet water temperature is correct (see page 8).
	Water pressure is temporarily low	<ul style="list-style-type: none"> Turn on a faucet. Is water coming out more slowly than usual? If so, wait until pressure is normal before using your dishwasher.
	Air gap is clogged	<ul style="list-style-type: none"> Clean the air gap.
	Improper rack loading	<ul style="list-style-type: none"> Make sure large dishware does not block the detergent dispenser or the wash arms.
	No air gap or high drain loop	<ul style="list-style-type: none"> Verify that you have an air gap or a high drain loop. Refer to the Installation Instructions.
	Filter needs cleaning	<ul style="list-style-type: none"> The filter assembly must be cleaned regularly to allow the filter to efficiently remove food particles from the wash water. See Cleaning the Filter section on page 13.
Spots and filming on glasses and flatware	Extremely hard water	<ul style="list-style-type: none"> Use Jet Dry® or Cascade Crystal Clear® rinse agent to remove spots and prevent new film buildup.
	Low inlet water temperature	<ul style="list-style-type: none"> Make sure water temperature is at least 120°F.
	Overloading the dishwasher	<ul style="list-style-type: none"> Load dishwasher as shown in the Loading the Dishwasher Racks section.
	Improper loading	<ul style="list-style-type: none"> Make sure detergent is fresh.
	Old or damp powder detergent	<ul style="list-style-type: none"> If water is extremely hard, a water softener may be required.
	Rinse agent dispenser empty	
	Too little detergent	
Cloudiness on glassware	Combination of soft water and too much detergent	<ul style="list-style-type: none"> This is called <i>etching</i> and is permanent. To prevent this from happening, use less detergent if you have soft water. Wash glassware in the shortest cycle that will get it clean.
	Water temperature entering the dishwasher exceeds 150°F	<ul style="list-style-type: none"> Lower the water heater temperature.
Black or gray marks on dishes	Aluminum utensils have rubbed against dishes	<ul style="list-style-type: none"> Remove marks with a mild, abrasive cleaner.
Yellow or brown film on inside surfaces	Tea or coffee stains	<ul style="list-style-type: none"> Remove the stain by hand, using a solution of 1/2 cup bleach and 3 cups warm water. <p>⚠ WARNING: Before cleaning interior, wait at least 20 minutes after a cycle for the heating element to cool down. Failure to do so can result in burns.</p>
	An overall yellow or brown film can be caused by iron deposits in water	<ul style="list-style-type: none"> A special filter in the water supply line is the only way to correct this problem. Contact a water softener company.

Questions?
Use this
problem
solver

PROBLEM	POSSIBLE CAUSE	WHAT TO DO
White film on inside surfaces	Hard water minerals	<ul style="list-style-type: none"> To clean the interior, apply dishwasher detergent to a damp sponge. Wear rubber gloves. Do not use any type of cleanser other than dishwasher detergent because it may cause foaming or sudsing. Cascade® and Electrasol® Automatic Dishwashing Detergents have been approved for use in all Monogram dishwashers.
Dishes don't dry	Low inlet water temperature	<ul style="list-style-type: none"> Make sure inlet water temperature is correct (see page 8).
	Rinse agent dispenser is empty	<ul style="list-style-type: none"> Check the rinse agent dispenser.
Dishwasher won't run	Fuse is blown, or the circuit breaker tripped	<ul style="list-style-type: none"> Replace fuse or reset circuit breaker. Remove any other appliances from the circuit.
	Power is turned off	<ul style="list-style-type: none"> In some installations, the power to the dishwasher is proved through a wall switch, often located next to the disposer switch. Make sure it is on.
	Reboot your control	<ul style="list-style-type: none"> Turn off power to the dishwasher (at the circuit breaker or wall switch) for 30 seconds; then turn back on.
Steam	This is normal	<ul style="list-style-type: none"> Steam comes through the vent during washing, drying and when water is being pumped out.
Control panel responded to input but dishwasher never filled with water	Door latch may not be properly seated	<ul style="list-style-type: none"> Make sure the door is firmly closed.
	Water valve may be turned off	<ul style="list-style-type: none"> Make sure water valve (usually located under the sink) is turned on.
Dishwasher beeps once every 15 seconds	This is normal	<ul style="list-style-type: none"> Close the door after opening it mid-cycle.
	This is a reminder that the door has been left open during operation	<ul style="list-style-type: none"> Press ON/OFF to turn OFF the dishwasher.
Beeping at the end of the cycle	This is normal	<ul style="list-style-type: none"> The dishwasher will beep and the CLEAN light will display at the end of the wash cycle.
LOW RINSE AID light is on	Rinse aid dispenser needs to be refilled	<ul style="list-style-type: none"> This can only be turned off by filling the rinse aid dispenser with Jet-Dry® or Cascade Crystal Clear®. See Refilling the Rinse Aid Dispenser section.

Please place in envelope and mail to:
Veuillez mettre dans une enveloppe et envoyez à :

**OWNERSHIP REGISTRATION
P.O. BOX 1780
MISSISSAUGA, ONTARIO
L4Y 4G1**

(FOR CANADIAN CONSUMERS ONLY)



For Canadian
Customers



Pour les
Consommateurs
Canadiens

CUT ALONG THIS LINE AND RETURN CARD—THANKS

OWNERSHIP REGISTRATION CERTIFICATE – FICHE D'INSCRIPTION DU PROPRIÉTAIRE

Please register your product to enable us to contact you in the remote event a safety notice is issued for this product and to allow for efficient communication under the terms of your warranty, should the need arise.

Veillez enregistrer votre produit afin de nous permettre de communiquer avec vous si jamais un avis de sécurité concernant ce produit était émis et de communiquer facilement avec vous en vertu de votre garantie, si le besoin s'en fait sentir.

REGISTER ON-LINE: www.geappliances.ca		MAIL TO: P.O. BOX 1780, MISSISSAUGA ONTARIO, L4Y 4G1	
ENREGISTREMENT SUR INTERNET À: www.electromenagersge.ca			
<input type="checkbox"/> MR./M	<input type="checkbox"/> MRS./MME.	FIRST NAME / PRÉNOM	LAST NAME / NOM
<input type="checkbox"/> MISS/MILLE.	<input type="checkbox"/> MS.		
STREET NO / N° RUE	STREET NAME / RUE		APT. NO / APP. / RR#
CITY / VILLE		PROVINCE	POSTAL CODE / POSTAL
AREA CODE / IND. RÉG.	TELEPHONE	E-MAIL	
DID YOU PURCHASE A SERVICE CONTRACT FOR THIS APPLIANCE? AVEZ-VOUS ACHETÉ UN CONTRAT DE SERVICE POUR CET APPAREIL ?		YES / OUI <input type="checkbox"/> NO / NON <input type="checkbox"/>	IF YES / SI OUI: EXPIRATION Y/A M D/J
NAME OF SELLING DEALER / NOM DU MARCHAND		MODEL / MODÈLE	
INSTALLATION DATE / DATE D'INSTALLATION Y/A M D/J	CORRESPONDENCE CORRESPONDANCE	<input type="checkbox"/> ENGLISH <input type="checkbox"/> FRANÇAIS	SERIAL / SÉRIE
<input type="checkbox"/> I do not wish to receive any promotional offers regarding this product. <input type="checkbox"/> Je ne désire pas recevoir d'offres promotionnelles concernant ce produit.			

YOUR MONOGRAM DISHWASHER WARRANTY

Staple sales slip or canceled check here. Proof of original purchase date is needed to obtain service under warranty.

WHAT IS COVERED

From the Date of the Original Purchase

ONE-YEAR

Any part of the dishwasher which fails due to a defect in materials or workmanship. During this limited one-year warranty, GE will also provide, free of charge, all labor and in-home service to replace the defective part.

This warranty is extended to the original purchaser and any succeeding owner for the products purchased for ordinary home use in the 48 mainland states, Hawaii, Washington, D.C. or Canada. If the product is located in an area where service by a GE Authorized Servicer is not available, you may be responsible for a trip charge or you may be required to bring the product to an Authorized GE Service location for service. In Alaska the warranty is the same except that it is LIMITED because you must pay to ship the product to the service shop or for the service technician's travel cost to your home.

All warranty service will be provided by our Factory Service Centers or by our authorized Customer Care® servicers during normal working hours.

Should your appliance need service, during warranty period or beyond, in the U.S.A. call 800.444.1845. In Canada, please call 1.800.561.3344

Please have serial number and model number available when calling for service.

EXCLUSION OF IMPLIED WARRANTIES—Your sole and exclusive remedy is product repair as provided in this Limited Warranty. Any implied warranties, including the implied warranties of merchantability or fitness for a particular purpose, are limited to one year or the shortest period allowed by law.

WHAT IS NOT COVERED

- Service trips to your home to teach you how to use the product.
- Improper installation, delivery or maintenance.
- Replacement of house fuses or resetting of circuit breakers.
- Failure of the product if it is abused, misused, or used for other than the intended purpose or used commercially.
- Damage to the product caused by accident, fire, floods or acts of God.
- Incidental or consequential damage caused by possible defects with this appliance.
- Cleaning or servicing of the air gap device in the drain line.
- Damage caused after delivery.
- Product not accessible to provide required service.

Some states do not allow the exclusion or limitation of incidental or consequential damages, so the above limitation or exclusion may not apply to you. This warranty gives you specific legal rights, and you may also have other rights which vary from state to state. To know what your legal rights are in your state, consult your local or state consumer affairs office or your state's Attorney General.

**Warrantor (U.S.A): General Electric Company,
Louisville, KY 40225.**

**Warrantor (Canada): Mabe Canada Inc.
Suite 310, 1 Factory Lane,
Moncton, NB, E1C 9M3**



GE Consumer & Industrial Appliances
General Electric Company
Louisville, KY 40225
ge.com

With the purchase of your new Monogram appliance, receive the assurance that if you ever need information or assistance from GE, we'll be there. All you have to do is call—toll-free!

GE Answer Center®

**In the USA:
800.626.2000**

Whatever your question about any Monogram major appliance, GE Answer Center® information service is available to help. Your call—and your question—will be answered promptly and courteously. Call the GE Answer Center® Monday to Friday, 8:00 a.m. to 10:00 p.m. EST and Saturday, 8:00 a.m. to 7:00 p.m. EST.

OR

Visit our Website at: monogram.com

In Canada, call 1.800.561.3344.

Monogram Preferred Service

**In the USA:
800.444.1845**

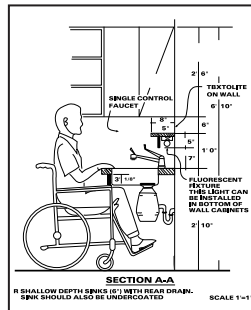
**In Canada:
1.800.561.3344**

A GE consumer service professional will provide expert repair service, scheduled at a time that's convenient for you. To schedule service, call Monday to Friday, 7:00 a.m. to 10:00 p.m. EST or Saturday and Sunday, 8:00 a.m. to 6:00 p.m. EST. Many GE Consumer Service company-operated locations offer you service today or tomorrow, or at your convenience. Our factory-trained technicians know your appliance inside and out—so most repairs can be handled in just one visit.

In Canada: Monday to Friday, 7:00 a.m. to 8:00 p.m. and Saturday, 8:00 a.m. to 5:00 p.m. EDST.

For Customers With Special Needs...

**In the USA:
800.626.2000**



GE offers Braille controls for a variety of GE appliances, and a brochure to assist in planning a barrier-free kitchen for persons with limited mobility.

Consumers with impaired hearing or speech who have access to a TDD or a conventional teletypewriter may call 800.TDD.GEAC (800.833.4322) to request information or service.

Service Contracts

**In the USA:
800.626.2224**

**In Canada:
1.800.561.3344**

You can have the secure feeling that GE Consumer Service will still be there after your warranty expires. Purchase a GE contract while your warranty is still in effect and you'll receive a substantial discount. With a multiple-year contract, you're assured of future service at today's prices.

Parts and Accessories

**In the USA:
800.626.2002**

**In Canada:
1.800.561.3344**

Individuals qualified to service their own appliances can have parts or accessories sent directly to their home. The GE parts system provides access to over 47,000 parts...and all GE Genuine Renewal Parts are fully warranted. VISA, MasterCard and Discover cards are accepted.

User maintenance instructions contained in this manual cover procedures intended to be performed by any user. Other servicing generally should be referred to qualified service personnel. Caution must be exercised, since improper servicing may cause unsafe operation.

165D4700P373

49-55048-1

12-08 JR

Printed in the United States



GE Consumer & Industrial
Appliances
General Electric Company
Louisville, KY 40225
ge.com

Manuel d'utilisation

Lave-vaisselle

ZBD1850

ZBD1870



Introduction

Votre nouveau lave-vaisselle Monogram est un symbole éloquent de style, de commodité et de souplesse dans votre cuisine. Que vous le choisissiez pour la pureté de ses lignes, ses caractéristiques pratiques ou sa recherche approfondie du détail – ou pour toutes ces raisons – vous constaterez que la combinaison supérieure de conception et de fonctions de votre lave-vaisselle Monogram vous donnera satisfaction pendant de nombreuses années.

Vous trouverez dans les pages qui suivent des renseignements qui vous aideront à faire fonctionner et à entretenir votre lave-vaisselle adéquatement.

Pour toute autre question, visitez notre site Web à l'adresse *monogram.com*

Table des matières

Enregistrement de votre appareil3, 19–20	Guide de dépannage15–17
Entretien et nettoyage12–14	Consignes de sécurité4, 5
Service à la clientèle3, 22	Garantie21
Numéros de modèle et de série3		
Directives de fonctionnement6–11		
Tableau de commande et fonctionnement6, 7		
Température de l'eau8		
Produit de rinçage8		
Détergents9		
Paniers du lave-vaisselle10, 11		

Avant d'utiliser votre lave-vaisselle

Veillez lire attentivement le présent manuel. Il a été conçu pour vous aider à faire fonctionner et entretenir adéquatement votre nouveau lave-vaisselle.

Gardez-le à portée de la main pour y trouver une réponse à vos questions.

Si vous ne comprenez pas quelque chose ou avez besoin d'aide, vous trouverez à la page Service à la clientèle de la dernière section du présent manuel une liste de numéros sans frais.

OU

Visitez notre site Web à l'adresse **monogram.com**

Transcrivez les numéros de modèle et de série

Vous trouverez vos numéros de modèle et de série sur la paroi de la cuve, à l'intérieur de la porte.

Avant de retourner la fiche de garantie, veuillez transcrire ici ces numéros :

Numéro de modèle

Numéro de série

Veillez indiquer ces numéros dans toute correspondance ou lors de tous vos appels de service concernant votre lave-vaisselle.

Si vous avez reçu un lave-vaisselle endommagé

Communiquez immédiatement avec le détaillant (ou l'entrepreneur) qui vous a vendu le lave-vaisselle.

Gagnez du temps et économisez de l'argent

Avant d'appeler un réparateur, veuillez consulter le Guide de dépannage à la fin du présent manuel.

Vous y trouverez les causes de problèmes mineurs de fonctionnement que vous pouvez corriger vous-même.

Si vous avez besoin de réparations

Pour faire réparer votre appareil, consultez la page Service à la clientèle à la fin du présent manuel.

Nous sommes fiers du service que nous vous offrons et tenons à ce que vous soyez satisfait. Si, pour quelque raison que ce soit, vous n'êtes pas satisfait du service dont vous avez bénéficié, voici quelques mesures à prendre pour obtenir davantage d'aide.

PREMIÈREMENT, communiquez avec les gens qui ont réparé votre appareil. Expliquez-leur pourquoi vous n'êtes pas satisfait. Dans la plupart des cas, cela devrait corriger le problème.

ENSUITE, si vous n'êtes toujours pas satisfait, communiquez avec nous dans notre site Web, en donnant tous les détails – y compris votre numéro de téléphone – ou écrivez-nous à l'adresse suivante :

Directeur, Relations avec les consommateurs
GE Appliances
Appliance Park
Louisville, KY 40225

CONSIGNES DE SÉCURITÉ IMPORTANTES

VEUILLEZ LIRE TOUTES LES CONSIGNES AVANT D'UTILISER L'APPAREIL

VEUILLEZ CONSERVER CES DIRECTIVES

▲ AVERTISSEMENT!

Pour votre sécurité, veuillez suivre les consignes données dans le présent manuel afin de réduire au minimum les risques d'incendie, d'explosion ou d'électrocution, et éviter les dommages matériels ou les blessures graves ou mortelles.

▲ AVERTISSEMENT! SÉCURITÉ DU CHAUFFE-EAU

Dans certaines conditions, il peut se former de l'hydrogène dans un chauffe-eau qui n'a pas été utilisé pendant deux semaines ou plus.
L'HYDROGÈNE EST UN GAZ EXPLOSIF.

Si vous n'avez pas utilisé votre chauffe-eau pendant deux semaines ou plus, ouvrez tous les robinets d'eau chaude et laissez couler l'eau pendant

plusieurs minutes afin de réduire les risques de dommages matériels ou de blessures. Prenez cette précaution avant même d'utiliser un électroménager raccordé au chauffe-eau pour éliminer l'hydrogène qui pourrait s'y être accumulé. Puisqu'il s'agit d'un gaz inflammable, ne fumez pas ou n'utilisez une flamme nue ou un électroménager au cours de ce processus.

▲ INSTALLATION ET ENTRETIEN APPROPRIÉS

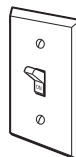
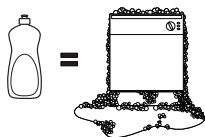
Ce lave-vaisselle doit être correctement installé, en conformité avec les directives d'installation fournies, avant d'être utilisé. Si vous n'avez pas reçu les directives d'installation avec votre appareil, vous pouvez vous les procurer en visitant notre site Web à l'adresse monogram.com.

- Cet appareil doit être relié à un système de câblage électrique permanent en métal, mis à la terre. Sinon, un fil de mise à la terre pour appareillage doit être installé et raccordé à la borne ou au fil de mise à la terre de l'appareil.
- Un raccordement incorrect du fil de mise à la terre peut présenter un risque d'électrocution. Consultez un électricien ou un technicien qualifié si vous n'êtes pas certain que l'appareil est correctement mis à la terre.
- Veuillez vous débarrasser de la façon appropriée de vos vieux électroménagers et des matériaux d'emballage ou d'expédition.
- Ne tentez pas de réparer ou de remplacer une pièce quelconque de votre lave-vaisselle, à moins que cela ne soit spécifiquement recommandé dans le présent manuel. Confiez toutes les autres réparations à un technicien qualifié.
- Pour réduire au minimum les risques d'électrocution, débranchez l'appareil de sa source d'alimentation avant d'en effectuer l'entretien.

REMARQUE : Le fait d'arrêter le lave-vaisselle ne coupe pas l'alimentation électrique de l'appareil. Nous vous recommandons de confier la réparation de votre électroménager à un technicien qualifié.

▲ ATTENTION : Pour éviter les blessures mineures ou les dommages matériels

- Les articles lavés au mode antibactérien, le cas échéant, peuvent être chauds au toucher. Manipulez-les avec prudence.
- L'utilisation d'un détergent non conçu pour les lave-vaisselle peut provoquer la formation de mousse.
- Si votre lave-vaisselle est branché sur un circuit relié à un interrupteur mural, assurez-vous d'actionner celui-ci avant d'utiliser votre appareil.
- Sur les lave-vaisselle dotés de commandes électroniques, si vous fermez l'interrupteur mural entre les cycles de lavage, attendez de 5 à 10 secondes après avoir ramené l'interrupteur à ON avant d'appuyer sur la touche ON/OFF (Marche/Arrêt) pour permettre aux commandes de se réinitialiser.
- Articles autres que la vaisselle : ne lavez pas dans le lave-vaisselle des articles comme des filtres de purificateur d'air, des filtres de systèmes de chauffage ou des pinceaux. Vous pourriez endommager le lave-vaisselle et provoquer une décoloration ou des taches dans l'appareil.
- Une surveillance attentive est nécessaire lorsque cet appareil est utilisé par ou près des enfants.
- Placez les articles légers en plastique de manière qu'ils ne se déplacent pas ou ne tombent pas au fond de l'appareil – ils pourraient entrer en contact avec l'élément chauffant, ce qui pourrait les endommager.



CONSIGNES DE SÉCURITÉ IMPORTANTE

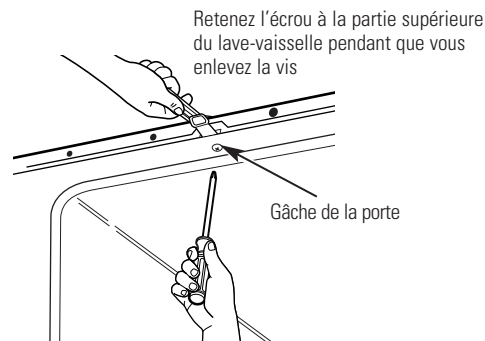
⚠ AVERTISSEMENT! RISQUE DE SUFFOCATION POUR UN ENFANT COINCÉ À L'INTÉRIEUR DE L'APPAREIL

ÉLIMINATION APPROPRIÉE DU LAVE-VAISSELLE

Les lave-vaisselle jetés ou abandonnés sont dangereux...même si vous ne les laissez là «que pour quelques jours». Si vous voulez jeter votre vieux lave-vaisselle, veuillez suivre les directives ci-dessous pour éviter les accidents.

Avant de jeter votre vieux lave-vaisselle :

- Enlevez la porte de l'appareil ou enlevez la gâche de la porte (comme indiqué dans l'illustration).



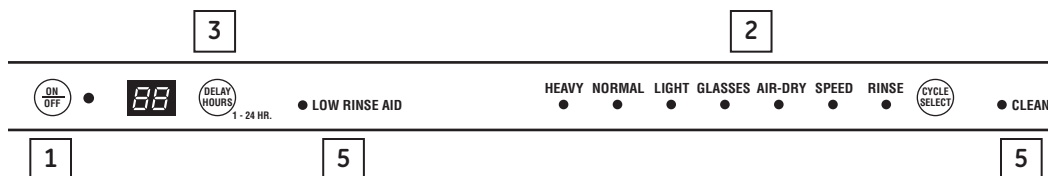
⚠ AVERTISSEMENT! Lors du fonctionnement de votre lave-vaisselle, prenez les précautions de base, notamment les suivantes :

- N'utilisez cet appareil que pour l'usage pour lequel il a été conçu, comme expliqué dans le présent manuel.
- N'utilisez que des détergents en poudre, en liquide ou en tablettes, ou des produits de rinçage recommandés pour les lave-vaisselle et gardez-les hors de portée des enfants. L'utilisation des détergents pour lave-vaisselle automatiques **Cascade^{MD}**, **Cascade^{MD} Complete** et **Electrasol^{MD}**, et des produits de rinçage **Jet-Dry^{MD}** et **Cascade Crystal Clear^{MD}**, est approuvée dans tous les lave-vaisselle GE.
- Placez les articles coupants de manière à ce qu'ils n'endommagent pas le joint d'étanchéité de la porte.
- Placez dans le panier à couverts les couteaux tranchants le manche vers le haut afin de réduire les risques de coupures.
- Ne lavez pas les articles en plastique, à moins qu'ils portent la mention «Lavable au lave-vaisselle» ou l'équivalent. Dans le cas des articles en plastique qui ne portent pas cette mention, reportez-vous aux recommandations du fabricant.
- Ne touchez pas à l'élément chauffant pendant ou immédiatement après le fonctionnement de l'appareil.
- Ne faites pas fonctionner le lave-vaisselle si tous les panneaux de la carrosserie n'ont pas été correctement réinstallés.
- Ne modifiez pas le fonctionnement des commandes.
- N'utilisez pas le lave-vaisselle de façon abusive, et ne vous assoyez pas ou ne montez pas sur la porte ou les paniers de l'appareil.
- Ne laissez pas les enfants jouer à proximité du lave-vaisselle lorsque vous ouvrez ou fermez la porte afin d'éviter que leurs petits doigts se coincent dans la porte.
- Ne jetez pas un lave-vaisselle sans d'abord enlever la porte ou la gâche de la porte de l'appareil.
- N'entreposez pas ou n'utilisez pas de produits combustibles, d'essence ou autres vapeurs ou liquides inflammables à proximité de votre lave-vaisselle ou de tout autre électroménager.
- Ne laissez pas les enfants jouer avec le lave-vaisselle, ou à l'intérieur de celui-ci ou de tout autre électroménager mis aux rebus.

VEUILLEZ LIRE ET SUIVRE À LA LETTRE CES CONSIGNES DE SÉCURITÉ.
CONSERVEZ CES DIRECTIVES

Tableau de commande

Lave-vaisselle



1 ON/OFF (Marche/Arrêt)	Pendant que la porte est ouverte, appuyez sur le bouton ON/OFF pour mettre l'appareil en MARCHÉ afin qu'il commence à fonctionner et s'ARRÊTE à la fin d'un programme de lavage. Le voyant ON/OFF s'allume lorsque le lave-vaisselle est en MARCHÉ.
2 PROGRAMMES DE LAVAGE	Appuyez sur le bouton CYCLE SELECT (Choisir un programme) pour choisir un programme de lavage. Le voyant sous le nom du programme s'allume pour indiquer le programme que vous avez choisi. REMARQUE : Les renseignements concernant la durée des programmes et leur consommation d'eau, fournis dans la présente section, sont approximatifs. Les résultats réels dépendent de plusieurs facteurs, y compris mais non de façon limitative la température et la pression de l'eau qui alimente le lave-vaisselle.
HEAVY (Saleté importante)	23,5 litres (6,2 gallons), 125 minutes Ce programme est conçu pour la vaisselle ou les ustensiles de cuisson très sales, sur lesquels des aliments sont séchés ou cuits. Il est possible que ce programme ne puisse pas déloger les aliments brûlés. Vous pouvez laver en toute sécurité la vaisselle de tous les jours à ce programme. Ce programme comprend également un séchage avec chaleur.
NORMAL (Saleté normale)	20,1 litres (5,3 gallons), 100 minutes Ce programme est conçu pour laver la vaisselle de tous les jours, les verres et les ustensiles de cuisson moyennement sales qui n'ont pas été rincés au préalable. Ce programme comprend également un séchage avec chaleur.
LIGHT (Saleté légère)	16,7 litres (4,4 gallons), 85 minutes Ce programme est conçu pour laver la vaisselle de tous les jours, les verres et les ustensiles de cuisson peu sales qui ont été rincés au préalable. Ce programme comprend également un séchage avec chaleur.
GLASSES (Verres)	13,3 litres (3,5 gallons), 65 minutes Ce programme est conçu pour les verres légèrement sales. La température de l'eau est moins élevée pendant le lavage et le rinçage afin de protéger vos articles en verre. Ce programme comprend également un séchage avec chaleur à température plus basse.
AIR-DRY (Séchage sans chaleur)	13,3 litres (3,5 gallons), 50 minutes Ce programme est conçu pour la vaisselle de tous les jours, les verres et les ustensiles de cuisson légèrement sales qui ont été rincés au préalable et que vous désirez faire sécher de façon naturelle. Ce programme ne comprend pas de séchage avec chaleur.
SPEED (Lavage rapide)	20,1 litres (5,3 gallons), 80 minutes Ce programme est conçu pour la vaisselle de tous les jours, les verres et les ustensiles de cuisson moyennement sales qui n'ont pas été rincés au préalable. La durée de lavage de ce programme est plus courte pour un programme de lavage plus rapide. Ce programme comprend un séchage avec chaleur d'une durée réduite.
RINSE (Rinçage)	3,8 litres (1 gallon), 10 minutes Pour rincer les charges partielles que vous désirez laver plus tard. N'utilisez pas de détergent avec ce programme. Ce programme ne comprend pas de séchage avec chaleur.

- 3 MISE EN MARCHÉ DIFFÉRÉE** Cette option vous permet de retarder d'un maximum de 24 heures le début d'un programme de lavage.
- Pendant que la porte est ouverte, mettez le lave-vaisselle en MARCHÉ en appuyant sur le bouton ON/OFF; appuyez ensuite sur le bouton DELAY HOURS (Heures d'attente) pour choisir le nombre d'heures d'attente avant le début du programme de lavage. Le nombre d'heures est indiqué à l'écran d'affichage.
- REMARQUE :** Pour annuler l'option de MISE EN MARCHÉ DIFFÉRÉE avant le début du programme, appuyez à plusieurs reprises sur le bouton DELAY HOURS jusqu'à ce que l'écran soit vide ou affiche «00».
-
- 4 MISE EN MARCHÉ D'UN PROGRAMME** Après avoir sélectionné le programme de lavage (étape n° 2) et l'option de mise en marche différée (étape n° 3) si désirée, fermez la porte du lave-vaisselle pour que le programme de lavage débute ou que le compte à rebours des HEURES D'ATTENTE débute. Lorsque le programme de lavage débute, l'appareil effectue une vidange et environ 60 secondes plus tard, le remplissage débute.
-
- 5 VOYANTS D'ÉTAT**
- LOW RINSE AID (Faible niveau du produit de rinçage)** Ce voyant rouge s'allume lorsqu'il faut remplir le distributeur de produit de rinçage. Utilisez le produit de rinçage **Jet-Dry^{MD}** ou **Cascade Crystal Clear^{MD}** pour faire disparaître les taches d'eau et empêcher la formation d'une pellicule sur votre vaisselle, vos verres, vos couverts, vos ustensiles de cuisson et vos articles en plastique. Reportez-vous à la page 6 pour connaître les directives de remplissage du distributeur de produit de rinçage.
-
- CLEAN (Propre)** Ce voyant vert s'allume et un signal sonore se fait entendre pour vous indiquer que le programme de lavage est terminé.

Vérification de la température de l'eau

La température de l'eau qui alimente votre lave-vaisselle doit varier entre 49 °C (120 °F) et 66 °C (150 °F) pour accroître l'efficacité du lavage et éviter tout dommage à votre vaisselle. Vérifiez la température de l'eau à l'aide d'un thermomètre

à viande ou à bonbons. Ouvrez le robinet d'eau chaude le plus près du lave-vaisselle. Déposez le thermomètre dans un verre et laissez l'eau couler continuellement dans le verre jusqu'à ce que la température cesse de monter.

Utilisation d'un produit de rinçage

L'utilisation d'un produit de rinçage améliore l'efficacité du séchage, réduit les taches et empêche la formation d'une pellicule sur votre vaisselle, vos verres, vos couverts, vos ustensiles de cuisson et vos articles en plastique. Les produits de rinçage **Jet-Dry^{MD}** et **Cascade Crystal Clear^{MD}** sont recommandés pour les lave-vaisselle Monogram.

Remplissage du distributeur

Le distributeur de produit de rinçage peut contenir 99,4 ml (3,5 oz) de produit de rinçage. Dans des conditions normales d'utilisation, cette quantité dure environ un mois. Essayez de garder le distributeur plein, mais ne le remplissez pas de façon excessive.

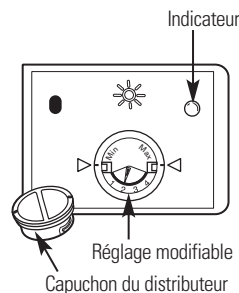
1. Assurez-vous que la porte du lave-vaisselle est complètement ouverte.
2. Tournez le capuchon du distributeur vers la gauche et tirez-le pour l'enlever.

3. Versez du produit de rinçage jusqu'à ce que l'indicateur montre que le distributeur est plein.
4. Essuyez le produit renversé avec un chiffon humide.
5. Remettez le capuchon du distributeur en place.

Réglage du distributeur

Il est possible de régler la quantité de produit de rinçage versée lors du lavage final. À l'usine, le distributeur est réglé au point milieu. Si vous apercevez des taches de calcaire (eau dure) sur la vaisselle, essayez un réglage plus élevé. Si vous remarquez de la mousse lors du rinçage final, essayez un réglage moins élevé.

Pour modifier le réglage, enlevez le bouton du distributeur; tournez l'aiguille dans le sens antihoraire pour augmenter la quantité de produit de rinçage et dans le sens horaire pour diminuer la quantité de produit de rinçage versée.



Préparation de la vaisselle avant le chargement

- Il n'est pas nécessaire de rincer au préalable la vaisselle normalement sale si vous la lavez au programme HEAVY, NORMAL ou SPEED.
- Enlevez la saleté tenace, les os, les cure-dents, les peaux et les pépins.
- Enlevez les grandes quantités d'aliments qui restent sur la vaisselle.
- Enlevez les légumes en feuilles, la viande, les parures et les quantités excessives de graisse ou d'huile.

Détergents

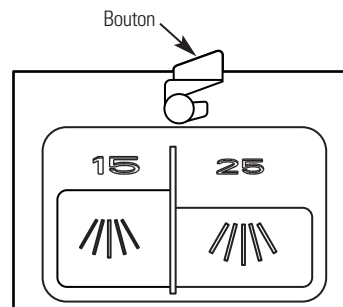
N'utilisez qu'un détergent spécialement conçu pour les lave-vaisselle. L'utilisation des détergents pour lave-vaisselle automatiques **Cascade^{MD}** et **Electrasol^{MD}** a été approuvée pour tous les lave-vaisselle Monogram. Conservez votre détergent dans un endroit frais et sec. Ne versez pas de détergent dans le distributeur avant d'être prêt à mettre l'appareil en marche.

La quantité de détergent varie selon que votre eau est *dure* ou *douce*. Si votre eau est dure, vous devez utiliser une quantité supplémentaire de détergent. Si votre eau est douce, vous avez besoin d'une quantité moins grande de détergent.

Protégez votre vaisselle et votre lave-vaisselle en communiquant avec votre service des eaux pour connaître le degré de dureté de votre eau. Une eau présentant une concentration de 12 grains ou plus est extrêmement dure. Nous recommandons l'utilisation d'un adoucisseur d'eau, sinon du calcaire peut s'accumuler à l'intérieur de l'électrovanne, ce qui pourrait la bloquer en position ouverte et provoquer une inondation. Une quantité excessive de détergent dans une eau douce peut provoquer l'apparition d'une pellicule blanche permanente sur les verres appelée *attaque chimique*.

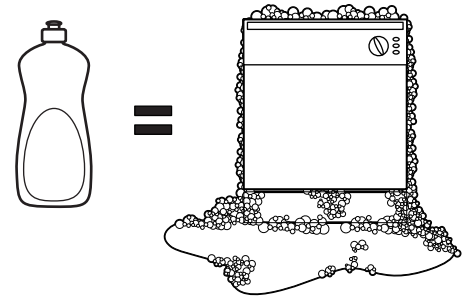
Consultez le tableau ci-dessous pour déterminer la quantité de détergent à verser dans le distributeur. Lorsque vous utilisez des tablettes de détergent pour lave-vaisselle automatique, déposez simplement une tablette dans le distributeur et refermez le couvercle.

Concentration (nombre de grains)	Godets à remplir
Moins de 4	Godet 15
Entre 4 et 8	Godet 25
Entre 8 et 12	Godets 15 et 25
Plus de 12	Godets 15 et 25, et le godet ouvert



Pour ouvrir le couvercle du distributeur, appuyez sur le bouton.

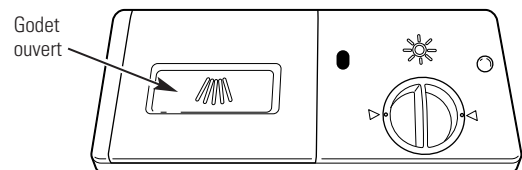
N'utilisez pas de détergent liquide pour le lavage de la vaisselle à la main



REMARQUE : Si vous utilisez un détergent qui n'est pas conçu pour les lave-vaisselle, il se formera de la mousse à l'intérieur de l'appareil. Pendant le fonctionnement, cette mousse sortira par les événements de l'appareil et s'écoulera sur le plancher de la cuisine.

Comme bon nombre de contenants de détergent se ressemblent, rangez le détergent pour lave-vaisselle à part de vos autres produits nettoyants. Montrez le bon détergent à toute personne susceptible d'utiliser le lave-vaisselle, ainsi que l'endroit où vous le gardez.

Même si l'utilisation d'un détergent non conçu pour les lave-vaisselle ne risque pas de causer des dommages permanents à votre appareil, votre vaisselle ne sera pas aussi propre.



Pour la vaisselle très sale, utilisez le programme HEAVY et ajoutez une quantité supplémentaire de détergent.

Vous avez oublié d'ajouter un article?

Vous pouvez ajouter un article oublié à n'importe quel moment avant le lavage principal.

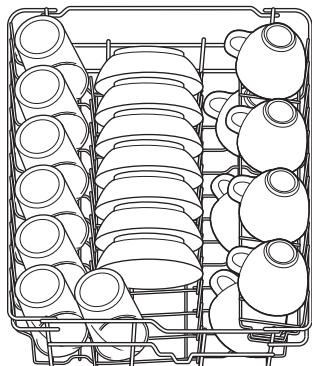
1. Déverrouillez la porte pour interrompre le programme de lavage - tirez sur la poignée de la porte pour l'ouvrir.
2. N'ouvrez pas la porte tant que l'action de pulvérisation de l'eau n'a pas cessé. Il est possible que de la vapeur s'échappe du lave-vaisselle.

3. Ajoutez les articles oubliés.
4. Refermez la porte et poussez sur la poignée pour la reverrouiller.

Pour un lavage optimal, veuillez suivre les lignes directrices ci-dessous pour le chargement des paniers.

Les caractéristiques et l'apparence des paniers et du panier à couverts peuvent être différentes de celles de votre modèle.

Panier supérieur



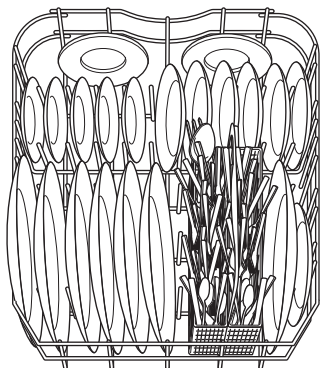
Le panier supérieur est conçu pour les verres, les tasses et les soucoupes. Vous pouvez également y placer des articles en plastique lavables au lave-vaisselle. Un support à tasses s'abaisse et se relève pour plus de souplesse. Le panier supérieur est tout désigné pour les ustensiles de forme irrégulière. Placez les casseroles, les bols à mélanger et autres articles à l'envers dans le panier.

Si possible, placez les gros articles en plastique lavables au lave-vaisselle sur deux tiges pour les immobiliser.

Assurez-vous d'immobiliser tous les petits articles en plastique afin qu'ils ne tombent pas sur l'élément chauffant.

Assurez-vous qu'aucun article ne dépasse du fond du panier et empêche la rotation du bras gicleur intermédiaire. Les articles placés dans le panier supérieur pourraient être mal lavés.

Panier inférieur

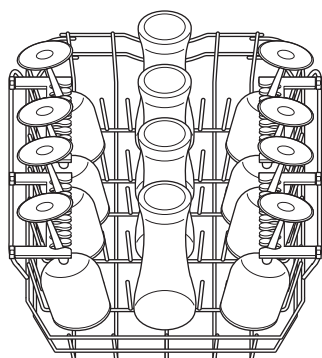


Ne placez pas de grandes assiettes ou de gros plateaux dans le coin avant gauche du panier inférieur. Ils peuvent empêcher la distribution du détergent pendant le programme de lavage.

Le panier inférieur est conçu pour les assiettes, les soucoupes et les ustensiles de cuisson. Placez les articles plus gros sur les côtés. Placez les assiettes, les casseroles et les bols sur les côtés, dans les coins ou vers l'arrière du panier, la surface souillée orientée vers le centre du panier.

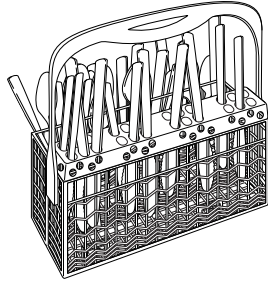
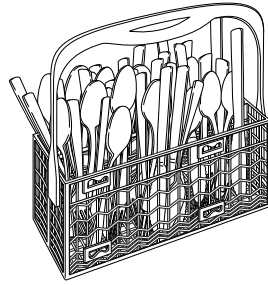
Assurez-vous qu'aucune partie d'un article, par exemple la poignée d'un ustensile de cuisson, ne dépasse du fond du panier. Cela pourrait bloquer le bras gicleur et atténuer l'efficacité du lavage.

Support à verres à vin



Le support à verres à vin immobilise les verres à vin pour un meilleur lavage. Vous pouvez également enlever le panier à couverts pour placer dans le panier inférieur tous vos verres.

Panier à couverts



Vous pouvez utiliser le panier à couverts sans couvercle pour accélérer le chargement. Avec le couvercle, les couverts sont mieux placés dans le lave-vaisselle pour améliorer le lavage et le séchage en empêchant les articles de s'entasser les uns contre les autres.

Sans le couvercle

Placez les couverts dans le panier amovible, le manche des fourchettes et des couteaux vers le haut, afin d'éviter toute blessure aux mains. Placez les cuillères dans le panier, le manche vers le bas. Mélangez les couteaux, les fourchettes et les cuillères afin qu'ils ne s'entassent pas les uns contre les autres. Répartissez-les de façon uniforme. Placez les petits articles en plastique, comme les cuillères à mesurer et les couvercles de petits contenants, dans le fond du panier à couverts et ajoutez des articles par-dessus pour les immobiliser.

Avec le couvercle

Placez les petits articles en plastique, comme les cuillères à mesurer et les couvercles de petits contenants, dans le fond du panier et installez le couvercle du panier en place. Insérez les cuillères et les fourchettes, le manche vers le bas, dans les orifices du couvercle. Placez les couteaux, le manche vers le haut, dans les orifices du couvercle.

Extérieur

Nettoyage du panneau de la porte

Avant de nettoyer le panneau avant de la porte, vérifiez de quel type de panneau il s'agit. Vérifiez les deux dernières lettres de votre numéro de modèle. Vous trouverez le numéro de votre modèle sur la paroi gauche de la cuve, tout juste à l'intérieur de la porte. Si votre numéro de modèle se termine par les lettres «SS», votre appareil est doté d'un panneau de porte en acier inoxydable.

Veillez suivre les directives ci-dessous pour nettoyer le panneau de porte de votre modèle.

Panneau de porte en acier inoxydable

(numéro de modèle se terminant par «SS»)

Vous pouvez nettoyer les panneaux en acier inoxydable avec un chiffon doux et propre et un produit nettoyant comme *Stainless Steel Magic* ou tout autre produit similaire. N'utilisez pas sur les portes en acier inoxydable une cire pour électroménager, un poli, un javellisant ou un produit contenant du chlore.

Vous pouvez commander le produit nettoyant *Stainless Steel Magic n° WX10X15* au service des Pièces de GE au numéro 1.800.561.3344.

Nettoyage du tableau de commande

Pour nettoyer le tableau de commande, utilisez un chiffon légèrement humide, puis asséchez-le complètement. N'utilisez pas d'objets pointus, de tampons à récurer ou des produits nettoyants abrasifs sur le tableau de commande.

Bras gicleurs et filtres

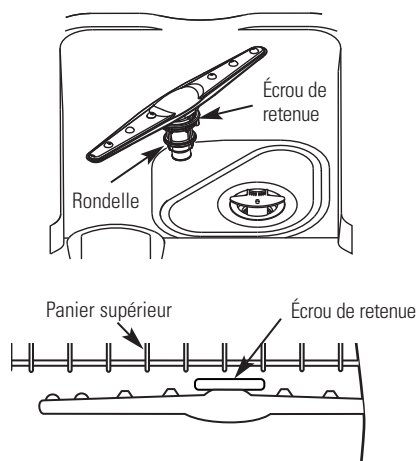
Le lave-vaisselle élimine toutes les particules normales d'aliments. Cependant, des noyaux de fruits, des os, etc., peuvent s'accumuler dans les ouvertures. Il faut les enlever de temps à autre afin de ne pas bloquer le système de vidange.

⚠ ATTENTION : Risque de blessures. Avant de nettoyer l'intérieur du lave-vaisselle, attendez au moins 20 minutes après un programme de lavage pour permettre à l'élément chauffant de refroidir. Sinon, vous pourriez vous brûler sur l'élément.

Nettoyage des bras gicleurs

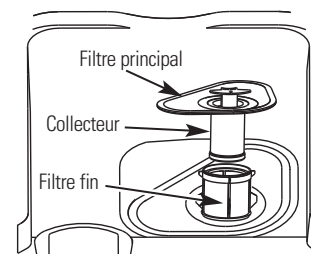
Étant donné que les minéraux que contient une eau dure peuvent obstruer les orifices des bras gicleurs et les coussinets, il faut nettoyer régulièrement les bras gicleurs. Pour enlever un bras gicleur, tournez l'écrou de retenue de 90° et tirez sur le bras gicleur pour l'enlever.

Lavez les bras gicleurs dans de l'eau chaude savonneuse et utilisez une brosse douce pour nettoyer les orifices. Après les avoir rincés à fond, remettez-les en place.



Nettoyage des filtres

Pour un rendement et des résultats optimaux, il faut nettoyer régulièrement le filtre. Ce filtre élimine efficacement les particules d'aliments de l'eau de lavage pour permettre la recirculation de l'eau pendant le programme de lavage. C'est pourquoi, il faut enlever régulièrement les grosses particules d'aliments captées par le filtre en rinçant le filtre principal et le collecteur sous l'eau du robinet. Pour enlever le filtre, tirez sur la poignée du collecteur. Nettoyez le filtre au moins une fois par mois. Pour nettoyer le filtre principal et le filtre fin, utilisez une brosse de nettoyage. Remettez ensuite les pièces du filtre en place, comme indiqué dans l'illustration, puis réinstallez l'assemblage du filtre dans le lave-vaisselle en exerçant une pression vers le bas. Il ne faut jamais utiliser le lave-vaisselle sans les filtres. Une installation incorrecte du filtre pourrait atténuer l'efficacité du lavage et endommager les articles placés dans l'appareil.



Protection contre le gel

Si vous laissez votre lave-vaisselle dans un endroit non chauffé pendant l'hiver, demandez à un technicien d'effectuer les tâches qui suivent :

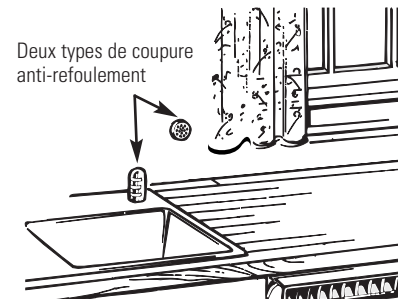
1. Couper l'alimentation électrique du lave-vaisselle. Enlever les fusibles ou déclencher les disjoncteurs.
2. Couper l'alimentation en eau et débrancher la conduite d'alimentation en eau de l'électrovanne.
3. Vidanger l'eau de la conduite d'alimentation en eau et de l'électrovanne (utiliser un récipient pour recueillir l'eau).
4. Rebrancher la conduite d'alimentation en eau à l'électrovanne de l'appareil.

Votre lave-vaisselle est-il doté d'une coupure anti-refoulement?

Une coupure anti-refoulement protège votre lave-vaisselle contre des refoulements d'eau lors d'un blocage du renvoi. Ce dispositif ne fait pas partie du lave-vaisselle. Il n'est pas couvert par votre garantie. Puisque tous les codes de plomberie n'exigent pas de coupures anti-refoulement, il est possible que vous n'ayez pas un tel dispositif.

Il est facile de nettoyer la coupure anti-refoulement.

1. Arrêtez le lave-vaisselle et enlevez le couvercle chromé.
2. Enlevez le capuchon en plastique et nettoyez-le à l'aide d'un cure-dents.



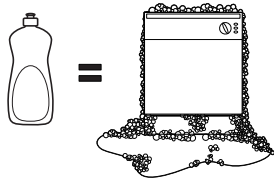
Vérifiez la coupure anti-refoulement dès que votre lave-vaisselle ne se vide pas bien.

Cuve et contre-porte en acier inoxydable

L'acier inoxydable utilisé dans la fabrication de la cuve et de la contre-porte du lave-vaisselle assure la plus grande fiabilité qui soit sur un lave-vaisselle Monogram. Si la cuve ou

la contre-porte du lave-vaisselle est égratignée ou bosselée au cours d'une utilisation normale, elle ne rouillera pas. Ces marques n'affectent pas le fonctionnement ou la durabilité de ces pièces.

Des questions?
Consultez ce guide de dépannage

PROBLÈME	CAUSES POSSIBLES	CORRECTIFS	
Bruit	Il est normal d'entendre certains bruits	<ul style="list-style-type: none"> • Ouverture du distributeur de détergent. • Fonctionnement du moteur pendant la période de séchage. • Vidange de l'eau immédiatement après avoir mis en marche le lave-vaisselle. 	
	Des articles ne sont pas bien placés dans le panier ou un petit article est tombé dans l'appareil	<ul style="list-style-type: none"> • Assurez-vous que tous les articles sont bien placés dans le lave-vaisselle. 	
	Bourdonnement du moteur	<ul style="list-style-type: none"> • Le lave-vaisselle n'est pas utilisé régulièrement. Si vous n'utilisez pas votre lave-vaisselle fréquemment, laissez-le se remplir et se vider au moins une fois par semaine afin de garder le joint d'étanchéité humide. • Les commandes du lave-vaisselle n'ont pas fonctionné correctement au début du programme choisi. Réglez les commandes au début du programme désiré. 	
Il reste du détergent dans les distributeurs	Des articles empêchent l'eau d'atteindre les distributeurs de détergent	<ul style="list-style-type: none"> • Remplacez les articles dans l'appareil. 	
Il reste de l'eau au fond de la cuve	Le renvoi est bloqué	<ul style="list-style-type: none"> • Si vous avez une coupure anti-refoulement, nettoyez-la. • Vérifiez si l'évier de votre cuisine se vide correctement. Si non, vous aurez peut-être besoin d'un plombier. • Si l'eau du lave-vaisselle se vide dans un broyeur à déchets, faites fonctionner le broyeur pour le dégager. 	
	Ce phénomène est normal	<ul style="list-style-type: none"> • Il reste une petite quantité d'eau propre dans le fond de la cuve, vers l'arrière, afin de garder le joint d'étanchéité humide. 	
Mousse dans la cuve		Utilisation d'un détergent non approprié	<ul style="list-style-type: none"> • Pour éviter la formation de mousse, n'utilisez qu'un détergent conçu pour les lave-vaisselle automatiques. L'utilisation des détergents pour lave-vaisselle Cascade^{MD} et Electrasol^{MD} est approuvée dans tous les lave-vaisselle Monogram. • Pour faire disparaître la mousse dans la cuve, ouvrez la porte du lave-vaisselle et laissez la mousse s'évaporer. Versez 4,5 litres (1 gallon) d'eau froide dans la cuve. Refermez et verrouillez la porte. Faites vidanger l'eau en réglant les commandes de l'appareil à un cycle de vidange. Répétez la procédure au besoin.
		Renversement de produit de rinçage	<ul style="list-style-type: none"> • Il faut toujours essuyer immédiatement le produit de rinçage renversé.
Taches à l'intérieur de la cuve	Utilisation d'un détergent contenant un colorant	<ul style="list-style-type: none"> • Certains détergents contiennent un colorant (ou pigment) qui peut décolorer la cuve avec le temps. Vérifiez si le distributeur de détergent présente des signes de décoloration. Si tel est le cas, utilisez un autre détergent sans colorant. L'utilisation des détergents pour lave-vaisselle Cascade^{MD} et Electrasol^{MD} est approuvée dans tous les lave-vaisselle Monogram. 	
	Certains aliments à base de tomate peuvent causer des taches	<ul style="list-style-type: none"> • Pour atténuer la formation de taches, réglez le programme RINSE après avoir placé la vaisselle dans l'appareil. 	

Des questions?
Consultez ce guide de dépannage

PROBLÈME	CAUSES POSSIBLES	CORRECTIFS
La vaisselle et les couverts ne sont pas propres	Basse température de l'eau	<ul style="list-style-type: none"> Assurez-vous que la température de l'eau qui alimente le lave-vaisselle est correcte (reportez-vous à la page 8).
	Faible pression d'eau temporaire	<ul style="list-style-type: none"> Ouvrez un robinet. Le débit d'eau est-il plus faible que d'habitude? Si tel est le cas, attendez que la pression revienne à la normale avant d'utiliser votre lave-vaisselle.
	Coupure anti-refoulement obstruée	<ul style="list-style-type: none"> Nettoyez la coupure anti-refoulement.
	Chargement incorrect des paniers	<ul style="list-style-type: none"> Assurez-vous que des articles de grande dimension ne bloquent pas le distributeur de détergent ou les bras gicleurs.
	Aucune coupure anti-refoulement ou boyau de vidange surélevé	<ul style="list-style-type: none"> Vérifiez si vous avez une coupure anti-refoulement ou un boyau de vidange surélevé. Reportez-vous aux directives d'installation.
	Il faut nettoyer le filtre	<ul style="list-style-type: none"> Il faut nettoyer régulièrement le filtre pour qu'il puisse éliminer efficacement les particules d'aliments en suspension dans l'eau de lavage. Reportez-vous à la section Nettoyage des filtres à la page 13.
Taches ou pellicule sur les verres et les couverts	<p>Eau extrêmement dure Basse température de l'eau Surcharge du lave-vaisselle Chargement incorrect Détergent en poudre «trop vieux» ou humide Distributeur de produit de rinçage vide Quantité de détergent insuffisante</p>	<ul style="list-style-type: none"> Utilisez le produit de rinçage Jet-Dry^{MD} ou Cascade Crystal Clear^{MD} pour faire disparaître les taches et prévenir la formation d'une pellicule. Assurez-vous que la température de l'eau atteint au moins 49 °C (120 °F). Placez la vaisselle dans l'appareil de la façon indiquée à la section Chargement des paniers. Utilisez du détergent «frais». Si l'eau est extrêmement dure, il peut être nécessaire d'installer un adoucisseur d'eau.
Pellicule blanchâtre sur les verres	Utilisation d'une trop grande quantité de détergent dans une eau douce	<ul style="list-style-type: none"> Ce phénomène permanent est appelé <i>attaque chimique</i>. Pour l'éviter, utilisez moins de détergent si votre eau est douce. Choisissez le programme le plus court pour laver vos verres.
	La température de l'eau qui alimente le lave-vaisselle est supérieure à 66 °C (150 °F)	<ul style="list-style-type: none"> Abaissez la température du chauffe-eau.
Marques noires ou grisâtres sur la vaisselle	Frottement d'ustensiles en aluminium sur la vaisselle	<ul style="list-style-type: none"> Faites disparaître ces marques à l'aide d'un produit nettoyant abrasif doux.
Pellicule jaune ou brunâtre à l'intérieur de l'appareil	Taches de thé ou de café	<ul style="list-style-type: none"> Faites disparaître ces taches à la main à l'aide d'une solution contenant 1/2 tasse de javellisant et 3 tasses d'eau chaude. <p>⚠ AVERTISSEMENT : Avant de nettoyer l'intérieur de l'appareil, attendez au moins 20 minutes après la fin d'un programme de lavage pour permettre à l'élément chauffant de refroidir. Sinon, vous risquez de vous brûler.</p>
	La présence d'une pellicule jaune ou brunâtre peut être causée par des dépôts de fer dans l'eau	<ul style="list-style-type: none"> Le seul moyen de corriger ce problème consiste à installer un filtre spécial sur la conduite d'eau. Veuillez communiquer avec un fournisseur d'adoucisseurs d'eau.

Des questions?
Consultez ce guide de dépannage

PROBLÈME	CAUSES POSSIBLES	CORRECTIFS
Pellicule blanchâtre à l'intérieur de l'appareil	Dépôts de minéraux attribuables à une eau dure	<ul style="list-style-type: none"> Pour nettoyer l'intérieur de l'appareil, versez du détergent pour lave-vaisselle sur une éponge humide. Portez des gants de caoutchouc. N'utilisez aucun autre type de produit afin d'éviter la formation de mousse. L'utilisation des détergents pour lave-vaisselle automatiques Cascade^{MD} et Electrasol^{MD} est approuvée dans tous les lave-vaisselle Monogram.
La vaisselle ne sèche pas	Basse température de l'eau	<ul style="list-style-type: none"> Assurez-vous que la température de l'eau qui alimente l'appareil est correcte (reportez-vous à la page 8).
	Le distributeur de produit de rinçage est vide	<ul style="list-style-type: none"> Vérifiez le distributeur de produit de rinçage.
Le lave-vaisselle ne fonctionne pas	Un fusible est grillé ou un disjoncteur est déclenché	<ul style="list-style-type: none"> Remplacez le fusible ou réenclenchez le disjoncteur. Débranchez tous les autres électroménagers du circuit.
	L'alimentation électrique est coupée	<ul style="list-style-type: none"> Dans certaines installations, l'alimentation électrique du lave-vaisselle est commandée par un interrupteur mural, souvent placé à côté de l'interrupteur du broyeur à déchets. Assurez-vous que l'interrupteur est à ON.
	Réinitialisez les commandes de l'appareil	<ul style="list-style-type: none"> Coupez l'alimentation électrique au lave-vaisselle (en déclenchant le disjoncteur ou en actionnant l'interrupteur mural) pendant 30 secondes, puis rétablissez l'alimentation électrique.
Vapeur	Ce phénomène est normal	<ul style="list-style-type: none"> De la vapeur s'échappe de l'évent pendant le lavage, le séchage et la vidange de l'eau.
Le tableau de commande fonctionne, mais le lave-vaisselle ne se remplit pas d'eau	La porte n'est peut-être pas correctement verrouillée	<ul style="list-style-type: none"> Assurez-vous que la porte est bien fermée.
	Le robinet est peut-être fermé	<ul style="list-style-type: none"> Assurez-vous que le robinet (généralement situé sous l'évier) est ouvert.
Un signal sonore se fait entendre toutes les 15 secondes	Ce phénomène est normal	<ul style="list-style-type: none"> Refermez la porte après l'avoir ouverte pendant un programme de lavage.
	Ce signal vous rappelle que la porte est restée ouverte pendant le fonctionnement de l'appareil	<ul style="list-style-type: none"> Appuyez sur le bouton ON/OFF pour ÉTEINDRE l'appareil.
Signal sonore à la fin du programme	Ce phénomène est normal	<ul style="list-style-type: none"> Un signal sonore se fait entendre et le voyant CLEAN s'allume à la fin du programme de lavage.
Voyant LOW RINSE AID allumé	Il faut remplir le distributeur de produit de rinçage	<ul style="list-style-type: none"> La seule façon d'éteindre ce voyant consiste à remplir le distributeur de produit de rinçage de produit Jet-Dry^{MD} ou Cascade Crystal Clear^{MD}. Reportez-vous à la section Remplissage du distributeur de produit de rinçage.

Please place in envelope and mail to:
Veuillez mettre dans une enveloppe et envoyez à :

**OWNERSHIP REGISTRATION
P.O. BOX 1780
MISSISSAUGA, ONTARIO
L4Y 4G1**

(FOR CANADIAN CONSUMERS ONLY)



For Canadian Customers



Pour les Consommateurs Canadiens

CUT ALONG THIS LINE AND RETURN CARD—THANKS

OWNERSHIP REGISTRATION CERTIFICATE – FICHE D'INSCRIPTION DU PROPRIÉTAIRE

Please register your product to enable us to contact you in the remote event a safety notice is issued for this product and to allow for efficient communication under the terms of your warranty, should the need arise.

Veillez enregistrer votre produit afin de nous permettre de communiquer avec vous si jamais un avis de sécurité concernant ce produit était émis et de communiquer facilement avec vous en vertu de votre garantie, si le besoin s'en fait sentir.

REGISTER ON-LINE: www.geappliances.ca		MAIL TO: P.O. BOX 1780, MISSISSAUGA ONTARIO, L4Y 4G1	
ENREGISTREMENT SUR INTERNET À: www.electromenagersge.ca		POSTER À:	
<input type="checkbox"/> MR./M	<input type="checkbox"/> MRS./MME.	FIRST NAME / PRÉNOM	LAST NAME / NOM
<input type="checkbox"/> MISS/MLE.	<input type="checkbox"/> MS.		
STREET NO / N° RUE		APT. NO / APP. / RR#	
STREET NAME / RUE			
CITY / VILLE		PROVINCE	POSTAL CODE / POSTAL
AREA CODE / IND. RÉG.	TELEPHONE	E-MAIL	
DID YOU PURCHASE A SERVICE CONTRACT FOR THIS APPLIANCE? AVEZ-VOUS ACHETÉ UN CONTRAT DE SERVICE POUR CET APPAREIL ?		YES / OUI <input type="checkbox"/> NO / NON <input type="checkbox"/>	IF YES / SI OUI: EXPIRATION Y/A M D/J
NAME OF SELLING DEALER / NOM DU MARCHAND		MODEL / MODÈLE	
INSTALLATION DATE / DATE D'INSTALLATION Y/A M D/J		CORRESPONDENCE <input type="checkbox"/> ENGLISH CORRESPONDANCE <input type="checkbox"/> FRANÇAIS	SERIAL / SÉRIE
<input type="checkbox"/> I do not wish to receive any promotional offers regarding this product. <input type="checkbox"/> Je ne désire pas recevoir d'offres promotionnelles concernant ce produit.			

GARANTIE DE VOTRE LAVE-VAISSELLE MONOGRAM

Agrafez ici votre facture ou votre chèque annulé. Vous devez prouver la date d'achat originale pour obtenir des services de réparation en vertu de la garantie.

CE QUI EST COUVERT

À compter de la date d'achat originale

UN AN

Toute pièce du lave-vaisselle qui se révèle défectueuse en raison d'un vice de matières ou de fabrication. Au cours de cette **garantie limitée d'un an**, GE fournira également **sans frais** la main-d'oeuvre et le service de réparation à domicile pour remplacer la pièce défectueuse.

.....

Cette garantie est offerte à l'acheteur initial, ainsi qu'à tout acheteur subséquent d'un produit acheté en vue d'une utilisation domestique dans les 48 états continentaux des É.-U., à Hawaï, à Washington, D.C., ou au Canada. Si le produit est installé dans une région non desservie par un réparateur autorisé de GE, vous pourriez être tenu d'assumer les frais de déplacement ou d'apporter le produit à un centre de réparation autorisé de GE. En Alaska, la même garantie s'applique, sauf qu'elle est LIMITÉE parce que vous devez assumer les frais d'expédition du produit au centre de réparation ou de déplacement d'un technicien à votre domicile.

Toutes les réparations sous garantie sont effectuées par nos Centres de service ou par nos réparateurs autorisés Customer Care^{MD} pendant les heures normales d'affaires.

Si vous avez besoin de réparations pendant ou après la période de garantie, aux É.-U., composez le 1.800.444.1845; au Canada, composez le 1.800.561.3344.

Ayez à portée de la main le numéro de modèle et le numéro de série de votre appareil lorsque vous appelez au service de réparation.

EXCLUSION DE GARANTIES IMPLICITES – Votre seul et unique recours est la réparation du produit, comme stipulé dans la présente garantie limitée. Toutes les garanties implicites, y compris les garanties de qualité marchande et de convenance à un usage spécifique, sont limitées à une année ou à la période la plus courte autorisée par la loi.

CE QUI N'EST PAS COUVERT

- Toute visite à votre domicile pour vous expliquer le fonctionnement de l'appareil.
- Une installation, une livraison ou un entretien inadéquats.
- Le remplacement des fusibles ou le réenclenchement des disjoncteurs.
- Toute défectuosité du produit lorsqu'il a été utilisé d'une façon abusive ou inadéquate, ou employé à des fins commerciales ou à toute autre fin que celle pour laquelle il a été conçu.
- Tout dommage au produit attribuable à un accident, un incendie, une inondation ou un cas de force majeure.
- Tout dommage direct ou indirect causé à vos biens personnels par une défectuosité possible de cet appareil.
- Le nettoyage ou la réparation de la coupure anti-refoulement installée sur le renvoi.
- Les dommages survenus après la livraison.
- Le service, s'il est impossible d'avoir accès au produit pour le réparer.

Cette garantie est offerte à l'acheteur initial, ainsi qu'à tout propriétaire subséquent d'un produit acheté au Canada en vue d'une utilisation domestique au Canada.

Le service à domicile en vertu de la garantie sera fourni dans les régions où il est disponible et où Mabe estime raisonnable de le fournir.

**Garant : Mabe Canada Inc.,
Bureau 310, 1 Factory Lane,
Moncton, N.B. E1C 9M3**



GE Consumer & Industrial
Appliances
General Electric Company
Louisville, KY 40225
ge.com

Lorsque vous achetez un nouvel électroménager Monogram, vous avez l'assurance que GE sera toujours là si jamais vous avez besoin de renseignements ou d'aide. Il vous suffit de nous appeler sans frais!

Centre d'appels GE Answer Center^{MD}

Aux États-Unis :
800.626.2000

Service de réparation Monogram

Aux États-Unis :
800.444.1845
Au Canada :
1.800.561.3344

Pour nos clients qui ont des besoins spéciaux...

Aux États-Unis :
800.626.2000

Contrats d'entretien

Aux États-Unis :
800.626.2224
Au Canada :
1.800.561.3344

Pièces et accessoires

Aux États-Unis :
800.626.2002
Au Canada :
1.800.561.3344

Quelle que soit votre question sur les appareils Monogram, le service d'information GE Answer Center[®] est à votre disposition pour vous assister. Nous répondrons rapidement et courtoisement à votre appel—et à votre question. Appelez le service d'information GE Answer Center[®] du lundi au vendredi de 8h00 à 22h00 (heure normale de l'Est) et le samedi de 8h00 à 19h00 (heure normale de l'Est).

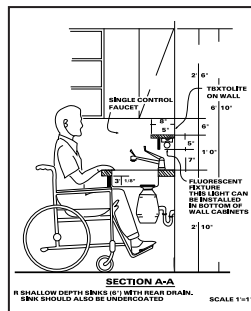
OU

Visitez notre site Web à l'adresse : monogram.com

Au Canada, composez le 1.800.561.3344.

Un professionnel du service clientèle de GE vous offrira un service expert de réparation, prévu à une heure qui vous convient. Pour programmer une réparation, appelez du lundi au vendredi de 7h00 à 22h00 (heure normale de l'Est) et le samedi et le dimanche de 8h00 à 18h00 (heure normale de l'Est). Le Service à la Clientèle de GE, exploité par la compagnie dans de nombreuses localisations vous offre un service aujourd'hui, demain, ou quand cela vous convient. Nos techniciens, formés en usine, connaissent parfaitement votre appareil—la plupart des réparations peuvent être effectuées en une seule visite.

Au Canada : lundi au vendredi, de 07h00 à 20h00 et samedi, de 08h00 à 17h00 EDST.



GE offre des tableaux de commande en braille pour un grand nombre d'électroménagers GE, ainsi qu'une brochure pour vous aider à planifier l'aménagement d'une cuisine sans obstacles pour les personnes à mobilité réduite.

Les consommateurs qui présentent une déficience auditive ou des difficultés d'élocution et qui ont accès à un appareil ATS ou à télécipteur traditionnel peuvent composer le 1.800.833.4322 (1.800.TDD.GEAC) pour demander des renseignements ou faire appel au service de réparation.

Vous pouvez avoir l'esprit tranquille, sachant que le service de réparation de GE sera toujours là après l'expiration de votre garantie. Achetez un contrat d'entretien GE pendant que votre garantie est encore en vigueur afin de bénéficier d'un rabais substantiel. En achetant un contrat de plusieurs années, vous aurez la certitude d'obtenir dans le futur un service de réparation au prix d'aujourd'hui.

Les personnes qui ont les compétences nécessaires pour réparer leurs électroménagers peuvent recevoir directement à la maison des pièces ou des accessoires. Le service des Pièces GE possède plus de 47 000 pièces... et toutes les pièces de rechange d'origine de GE sont entièrement garanties. Les cartes de crédit VISA, MasterCard et Discover sont acceptées.

Les directives données dans le présent manuel peuvent être suivies par n'importe quel utilisateur. Toutes les autres réparations doivent être confiées à un technicien qualifié. Il faut faire preuve de prudence puisqu'une réparation inadéquate pourrait entraîner un fonctionnement non sécuritaire de l'appareil.

165D4700P373
49-55048-1

12-08 JR

Imprimé aux États-Unis



GE Consumer & Industrial
Appliances
General Electric Company
Louisville, KY 40225
ge.com