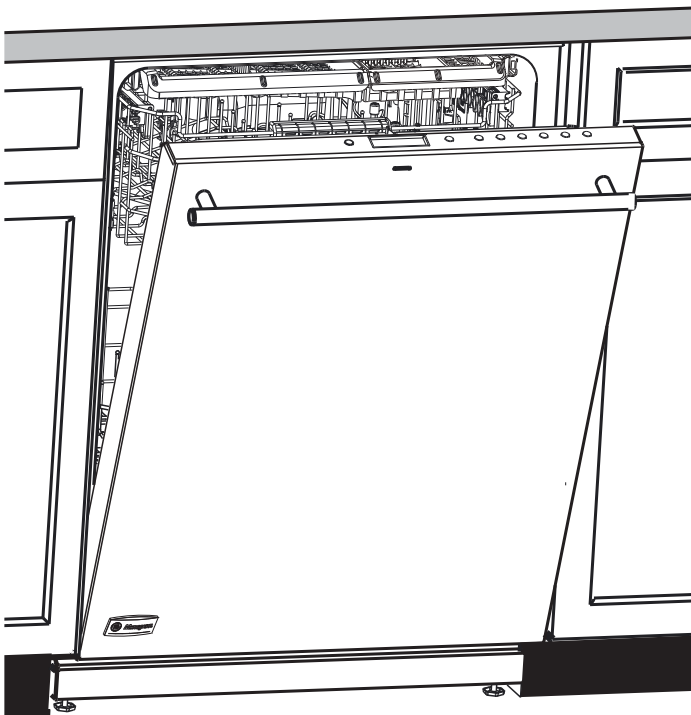


Installation Instructions

Built-In Dishwashers

*Custom front panel models include a kit that contains a template, hardware and panel installation instructions. Refer to the kit instructions when installing the custom panel.



Safety Information

BEFORE YOU BEGIN

Read these instructions completely and carefully.

- **IMPORTANT** – Observe all governing codes and ordinances.
- **Note to Installer** – Be sure to leave these instructions for the consumer's and local inspector's use.
- **Note to Consumer** – Keep these instructions with your Owner's Manual for future reference.
- **Skill Level** – Installation of this dishwasher requires basic mechanical and electrical skills. **Proper installation is the responsibility of the installer. Product failure due to improper installation is not covered under the GE Appliance Warranty. See warranty information.**
- **Completion Time** – 1 to 3 Hours.
New installations require more time than replacement installations.

- **IMPORTANT** – The dishwasher **MUST** be installed to allow for future removal from the enclosure if service is required.
Care should be exercised when the appliance is installed or removed, to reduce the likelihood of damage to the power supply cord.
If you received a damaged dishwasher, you should immediately contact your dealer or builder.
Optional Accessories – See the Owner's Manual for available custom panel kits.

**READ CAREFULLY.
KEEP THESE INSTRUCTIONS.**

FOR YOUR SAFETY

Read and observe all **CAUTIONS** and **WARNINGS** shown throughout these instructions. While performing installations described in this booklet, gloves, safety glasses or goggles should be worn.

For Monogram local service in your area, 1.800.444.1845.
For Monogram parts and accessories, call 1.800.626.2002.
For Monogram parts and accessories in Canada, call 1.800.561.3344.

CONTENTS

Installation Preparation

Parts Supplied.....	3
Materials You Will Need.....	3
Tools You Will Need.....	3
Prepare Dishwasher Enclosure.....	4
Drain Requirements.....	4
Prepare Electrical Wiring.....	5
Prepare Hot Water Line.....	6

Dishwasher Installation

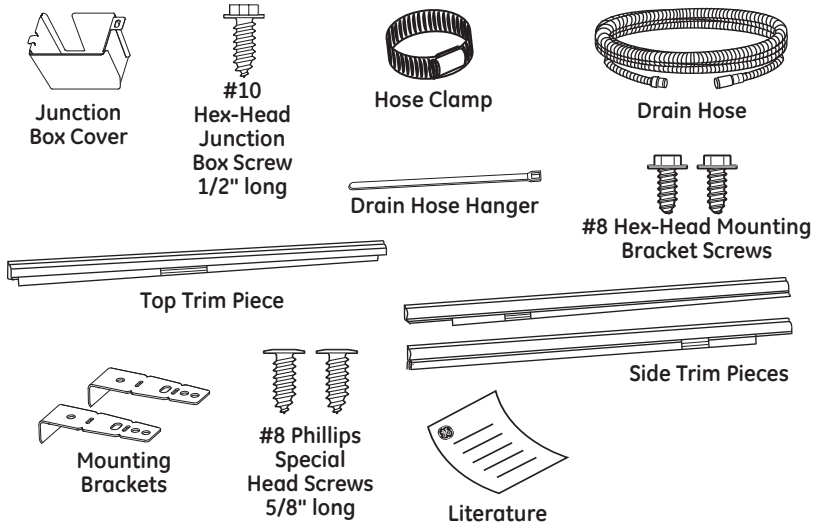
Step 1, Preparation.....	7
Step 2, Check Door Balance.....	7
Step 3, Remove Wood Base, Install Leveling Legs.....	7
Step 4, Remove Toekick.....	7
Step 5, Position Sound Barrier.....	7
Step 6, Remove Floor Protect.....	8
Step 7, Install 90° Elbow.....	8
Step 8, Install Drain Hose to Drain Loop.....	8
Step 9, Position Water Line and House Wiring.....	8

Step 10, Install Drain Hose Through Cabinet.....	8
Step 11, Slide Dishwasher Three-Fourths of the Way Into Cabinet.....	9
Step 12, Install Trim Pieces.....	9
Step 13, Install Mounting Brackets.....	9
Step 14, Push Dishwasher Into Final Position.....	10
Step 15, Level Dishwasher.....	10
Step 16, Position Dishwasher, Secure to Countertop or Cabinet.....	11
Step 17, Connect Water Supply.....	11
Step 18, Connect Drain Line.....	11,12
Step 19, Connect Power Supply.....	12
Step 20, Pretest Checklist.....	13
Step 21, Dishwasher Wet Test.....	13
Step 22, Replace Floor protect.....	13
Step 23, Position Insulation, Pre-Toekick and Sound Barrier.....	14
Step 24, Replace Toekick.....	14
Step 25, Literature.....	14

Installation Preparation

PARTS SUPPLIED IN INSTALLATION PACKAGE:

- Junction box cover and #10 hex-head screw
- Hose clamp
- Drain hose (approximately 78" long)
- Drain hose hanger
- 2 #8-18 hex head screws to secure brackets to washer tub frame
- 1 top trim piece
- 2 side trim pieces
- 2 mounting brackets for wood countertops or side cabinets
- 2 #8-18 x 5/8" Phillips special head screws, to secure dishwasher to underside of countertop or to side cabinets
- Literature, samples and/or coupons

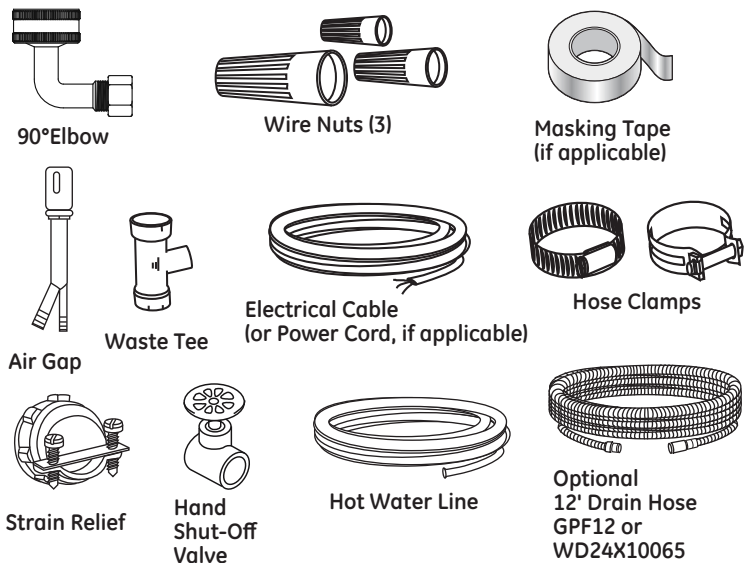


MATERIALS YOU WILL NEED:

- 90° elbow (3/4" hose internal thread on one end, opposite end sized to fit water supply)
- UL-listed wire nuts (3)
- Masking Tape

Materials For New Installations Only:

- Air gap for drain hose, if required
- Waste tee for house plumbing, if applicable
- Electrical cable or power cord depending on your model, quick connect power cords are available.
- Screw-type hose clamps
- Strain relief for electrical connection
- Hand shut-off valve (recommended)
- Hot Water Line—3/8" minimum, copper tubing (including ferrule, compression nut) or GE Part # WX28X326, flexible braided hose.
- GPF12 or WD24X10065 drain hose (12' long), if needed.

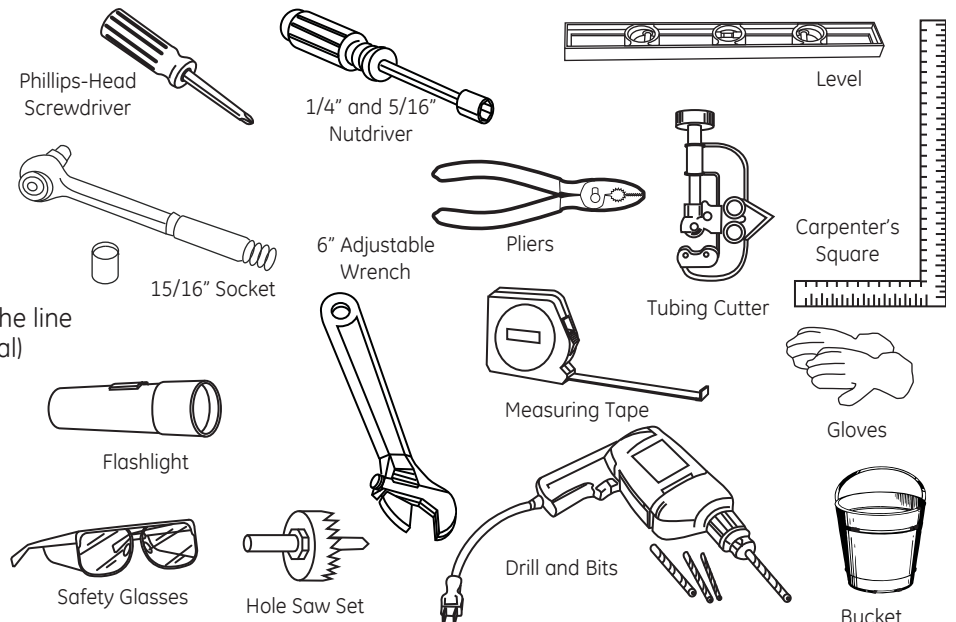


TOOLS YOU WILL NEED:

- Phillips-head screwdriver
- 5/16" and 1/4" nutdriver
- 6" Adjustable wrench
- Level
- Carpenter's square
- Measuring tape
- Safety glasses
- Flashlight
- Bucket to catch water when flushing the line
- 15/16" socket (optional for skid removal)
- Gloves
- Pliers

For New Installations Only:

- Tubing cutter
- Drill and appropriate bits
- Hole saw set



PREPARE DISHWASHER ENCLOSURE

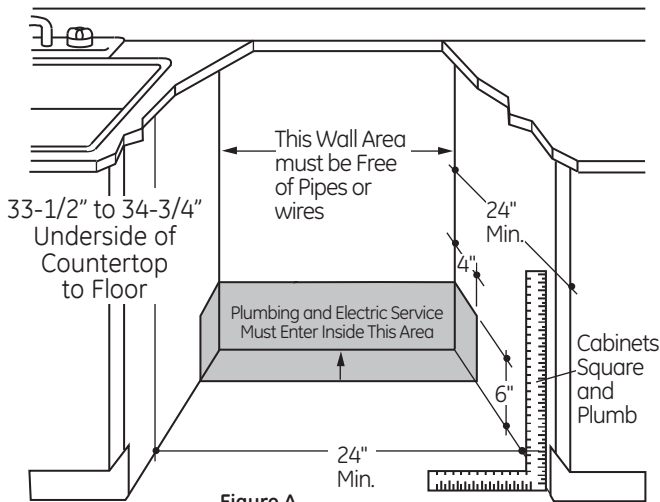


Figure A

- The rough cabinet opening must be at least 24" deep, 24" wide and approximately 34-1/2" high from floor to underside of the countertop.
- The dishwasher must be installed so that drain hose is no more than 12' in length for proper drainage.
- The dishwasher must be fully enclosed on the top, sides and back, and must not support any part of the enclosure.

⚠ WARNING

To reduce the risk of electric shock, fire, or injury to persons, the installer must ensure that the dishwasher is completely enclosed at the time of installation.

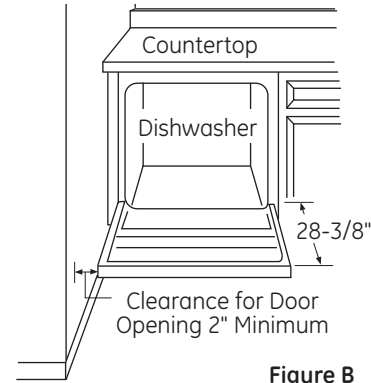


Figure B

CLEARANCES:

- When installed into a corner, allow 2" min. clearance between dishwasher and adjacent cabinet, wall or other appliances. Allow 28-3/8" min. clearance from the front of the dishwasher for door opening. Figure B.
- Allow at least 6" between dishwasher and range or oven appliances.

DRAIN REQUIREMENTS

- Follow local codes and ordinances.
- Do not exceed 15' distance to drain.

NOTE : Air gap must be used, if waste tee or disposer connection is less than 18" above floor to prevent siphoning.

DETERMINE DRAIN METHOD

The type of drain installation depends on the following questions.

- Do local codes or ordinances require an air gap?
- Is waste tee less than 18" above floor?

If the answer to either question is YES, Method 1 MUST be used.

- If the answers are NO, either method may be used.

CABINET PREPARATION

- Drill a 1-1/2" diameter hole in the cabinet wall within the shaded areas shown in Figure A for the drain hose connection. The hole should be smooth with no sharp edges.

IMPORTANT – When connecting drain line to disposer, check to be sure that drain plug has been removed. **DISHWASHER WILL NOT DRAIN IF PLUG IS LEFT IN PLACE.**

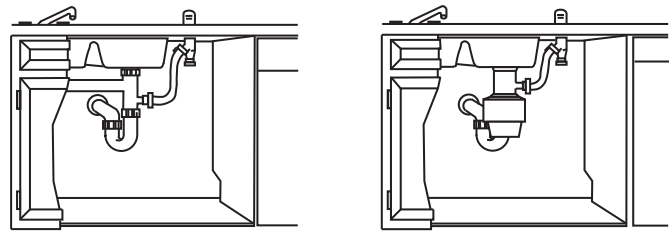


Figure C

Method 1 – Air Gap with Waste Tee or Disposer

An air gap must be used when required by local codes and ordinances. The air gap must be installed according to manufacturer's instructions.

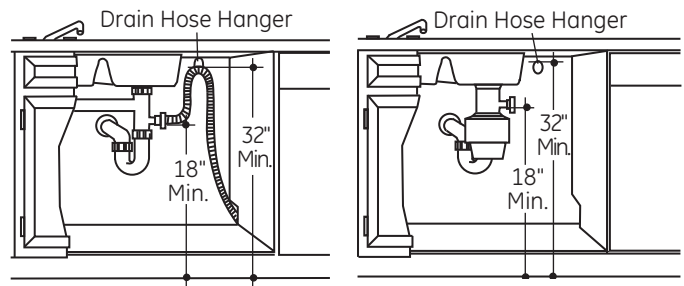


Figure D

Method 2 – "High Drain Loop" with Waste Tee or Disposer

Tip: Avoid unnecessary service call charges. Always be sure disposer drain plug has been removed before attaching dishwasher drain hose to the disposer.

Installation Preparation

PREPARE ELECTRICAL WIRING

⚠ WARNING:

FOR PERSONAL SAFETY: Remove house fuse or open circuit breaker before beginning installation. Do not use an extension cord or adapter plug with this appliance.

Electrical Requirements

- This appliance must be supplied with 120V, 60 Hz., and connected to an individual properly grounded branch circuit, protected by a 15- or 20-ampere circuit breaker or time-delay fuse.
- Wiring must be 2 wire with ground and rated for 75°C (167°F).
- If the electrical supply does not meet the above requirements, call a licensed electrician before proceeding.

Grounding Instructions—Permanent Connection

This appliance must be connected to a grounded metal, permanent wiring system, or an equipment-grounding conductor must be run with the circuit conductors and be connected to the equipment-grounding terminal or lead on the appliance.

Grounding Instructions—Power Cord Models

This appliance must be grounded. In the event of a malfunction or breakdown, grounding will reduce the risk of electric shock by providing a path of least resistance for electric current. This appliance is equipped with a cord having an equipment-grounding conductor and a grounding plug. The plug must be plugged into an appropriate outlet that is installed and grounded in accordance with all local codes and ordinances.

⚠ WARNING:

The improper connection of the equipment grounding conductor can result in a risk of electric shock. Check with a qualified electrician or service representative if you are in doubt that the appliance is properly grounded.

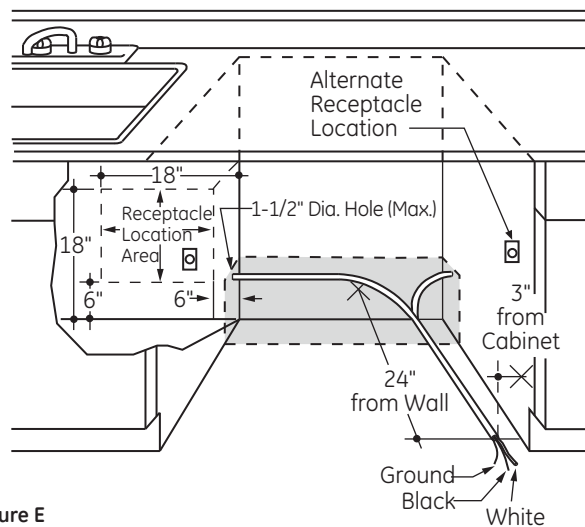


Figure E

For models equipped with power cord: Do not modify the plug provided with the appliance; if it will not fit the outlet, have a proper outlet installed by a qualified technician.

Cabinet Preparation & Wire Routing

- The wiring may enter the opening from either side, rear or the floor within the shaded area illustrated above in Figure E and defined in Figure A.
- Cut a 1-1/2" maximum diameter hole to admit the electrical cable. Edges of hole should be smooth and rounded. Permanent wiring connections may pass through the same hole as the drain hose and hot water line, if convenient. If cabinet wall is metal, the hole edge must be covered with a bushing.

NOTE: Power cords with plug must pass through a separate hole.

Electrical Connection to Dishwasher

Electrical connection is on the right front of dishwasher.

- For permanent connections the cable must be routed as shown in Figure E. Cable must extend a minimum of 24" from the rear wall.
- For power cord connections, install a 3-prong grounding type receptacle in the sink cabinet rear wall, 6" min. or 18" maximum from the opening, 6" to 18" above the floor.
- Use the Power Cord Kit for your dishwasher model.

Installation Preparation

PREPARE HOT WATER LINE

NOTE: GE recommends copper tubing for the water line, but if you choose to use flexible hose, use GE's **WX28X326**, flexible braided hose.

- The water supply line (3/8" copper tubing or flexible braided hose) may enter from either side, rear or floor within the shaded area shown in Figure F.
- The water supply line may pass through the same hole as the electrical cable and drain hose. Or, cut an additional 1-1/2" diameter hole to accommodate the water line. If power cord with plug is used, water line must not pass through power cord hole.

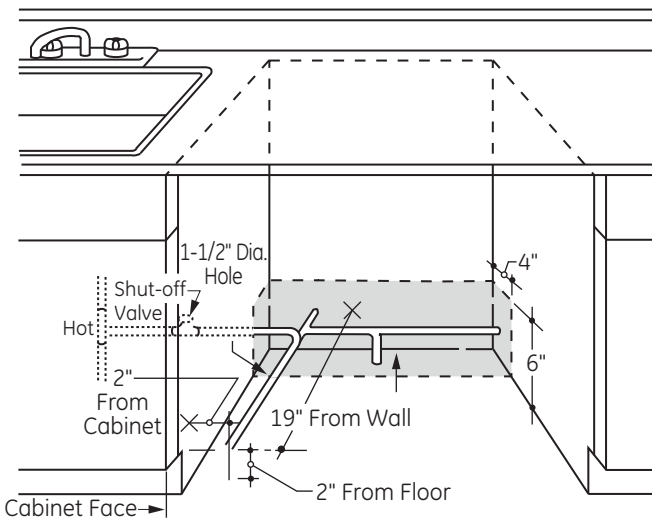


Figure F

Water Line Connection

- If using a flexible braided supply hose, label the hose with the installation date to use as reference. Flexible braided hoses should be replaced in 5 years.
- Turn off the water supply.
- Install a hand shut-off valve in an accessible location, such as under the sink. (Optional, but strongly recommended and may be required by local codes.)
- Water connection is on the left side of the dishwasher. Install the hot water inlet line, using no less than 3/8" copper tubing or a flexible braided hose. Route the line as shown in Figure F and extend forward at least 19" from rear wall.
- Adjust water heater for 120°F to 140°F temperature.
- Flush water line to clean out debris.
- The hot water supply line pressure must be 20-120 PSI.

Turn page to begin dishwasher installation.

⚠ CAUTION:

Do not remove wood base until you are ready to install the dishwasher. The dishwasher will tip over when the door is opened if base is removed.

Dishwasher Installation

STEP 1 PREPARATION

Locate the items in the installation package:

- Screws
- Junction box cover
- Drain hose and clamp
- Mounting brackets
- Trim pieces (on some models)
- Drain hose hanger
- Owner's Manual
- Product samples and/or coupons

STEP 2 CHECK DOOR BALANCE

NOTE: If installing a Custom Door Panel (available on some models), please follow the instructions found in the Custom Door Panel kit.

- With dishwasher on the wood base, check the door balance by opening and closing the door.
- Door is properly balanced if, when opened, it self closes within 20° from vertical, stays in position from 20° to 70° and falls fully open beyond 70°.
- If necessary increase or decrease tension as shown. Some models will have 2 springs on one side and 1 spring on the other side. Latch door and adjust springs to correct balance.

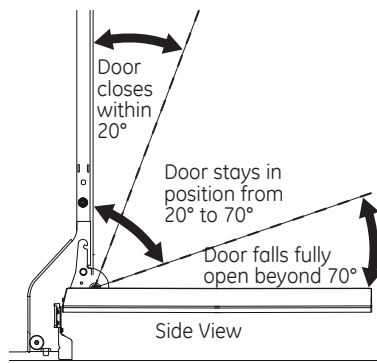


Figure G

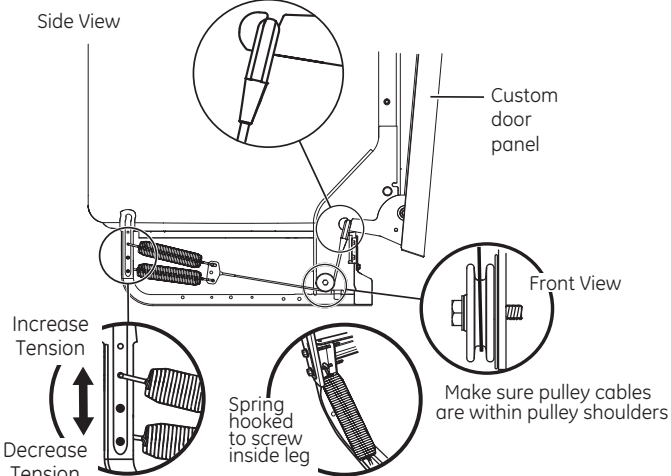


Figure H

Tip: Make sure door opens and closes smoothly.

Check door opening and closing. If door does not open easily or falls too quickly, check spring cable routing. The cable is held in place by "shoulders" on the pulley. Check to be sure cable has not slipped over the pulley shoulders and is routed as shown.

STEP 3 REMOVE WOOD BASE, INSTALL LEVELING LEGS

IMPORTANT – Do not kick off wood base!

Damage will occur.

- Move the dishwasher close to the installation location and lay it on its back.
- Remove the 4 leveling legs on the underside of the wood base with a 15/16" socket wrench.
- Discard base and 2 leveling legs.
- Screw front 2 leveling legs back into the dishwasher frame, approximately 1/2" from frame as shown.

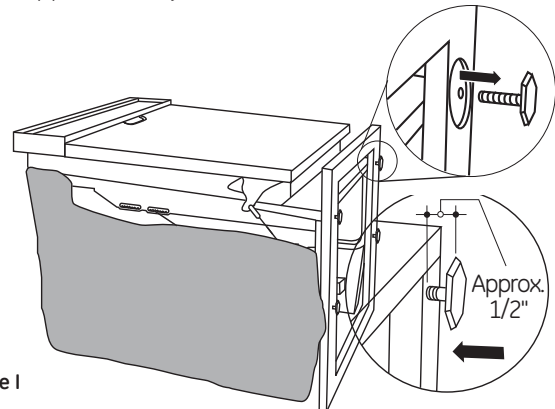


Figure I

NOTE: The dishwasher has rear adjustable leveling wheels, and will not require the 2 rear leveling legs.

STEP 4 REMOVE TOEKICK

- Remove the 2 toekick screws and toekick. Set aside for use in Step 24.

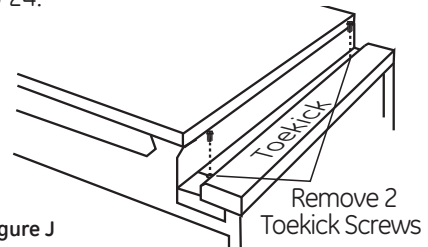
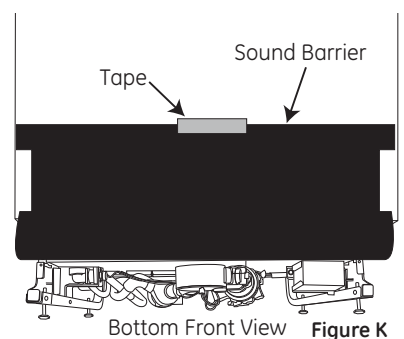


Figure J

STEP 5 POSITION SOUND BARRIER (on some models)

Skip this step if the sound barrier is not assembled to the dishwasher.

Lift the sound barrier and tape to the door front with masking tape. This will hold the sound barrier up and out of the way during installation.



Bottom Front View Figure K

Dishwasher Installation

STEP 6 REMOVE FLOOR PROTECT

- Disconnect leak sensor wire (on some models).
- Remove 2 screws from front of the Floor Protect with a ¼" driver.
- Rotate Floor Protect outward and lift out of the mounting tabs.
- Set aside for use in Step 22.

Squeeze connector at top to release snap feature

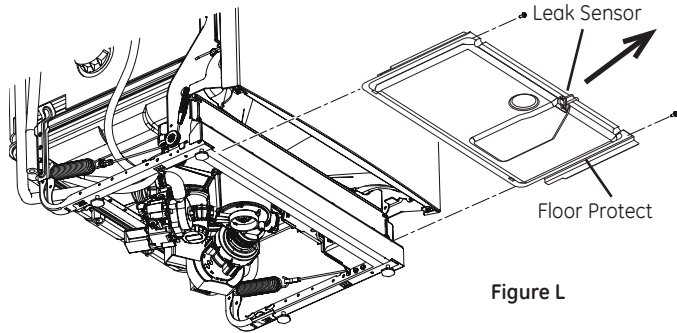
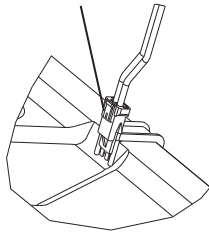


Figure L

STEP 9 POSITION WATER LINE AND HOUSE WIRING

- Position water supply line and house wiring on the floor of the opening to avoid interference with base of dishwasher and components under dishwasher.

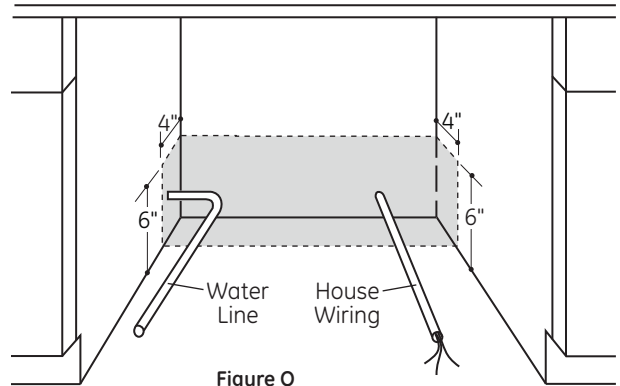


Figure O

STEP 7 INSTALL 90° ELBOW

- Thread 90° elbow onto the water valve.
- Do not overtighten elbow. Water valve bracket could bend or water valve fitting could break.
- Position the end of the elbow to face the rear of the dishwasher.

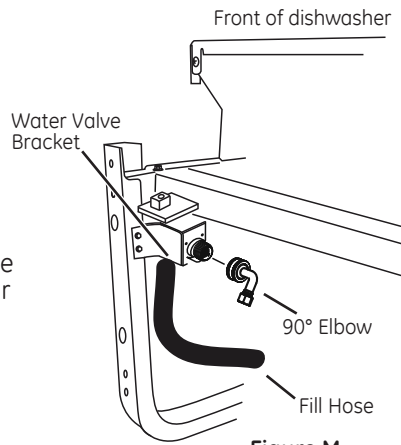


Figure M

STEP 8 INSTALL DRAIN HOSE TO DRAIN LOOP

Connect drain loop end to drain hose using the screw clamp as shown in the figure.

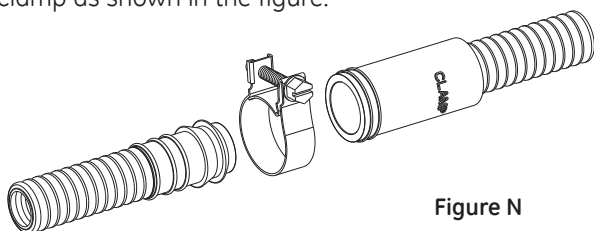


Figure N

NOTE: The high drain loop on the side of the tub is designed for better wash performance. Do not remove from the side of the tub.

STEP 10 INSTALL DRAIN HOSE, THROUGH CABINET

- Position dishwasher in front of cabinet opening. Insert drain hose into the hole in cabinet side. If a power cord is used, guide the end through a separate hole.

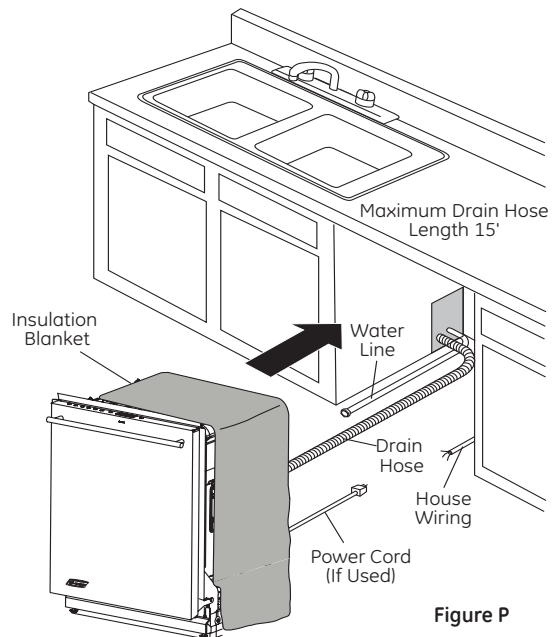


Figure P

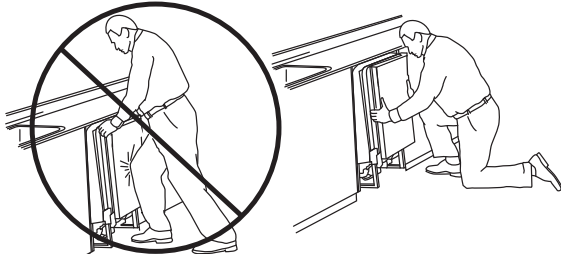
Tip: Prevent unnecessary service call charges for fill, drain or noise concerns. Position utility lines so they do not interfere with anything under or behind the dishwasher.

Dishwasher Installation

STEP 11 SLIDE DISHWASHER THREE-FOURTHS OF THE WAY INTO CABINET

IMPORTANT – Do not push against front panel with knees. Damage will occur.

- Grasp the sides of the front panel and slide dishwasher into the opening a few inches at a time.



Do not push against front door panel with knee. Damage to the door panel will occur.

Figure Q

- As you proceed, pull the drain hose through the opening under the sink. Stop pushing when the dishwasher extends about 6 inches forward of adjacent cabinets.
- Make sure drain hose is not kinked under or behind the dishwasher.
- Make certain the house wiring, drain line and water line do not interfere with components under dishwasher.

STEP 12 INSTALL TRIM PIECES

In this step you will need the trim pieces set aside in Step 1.

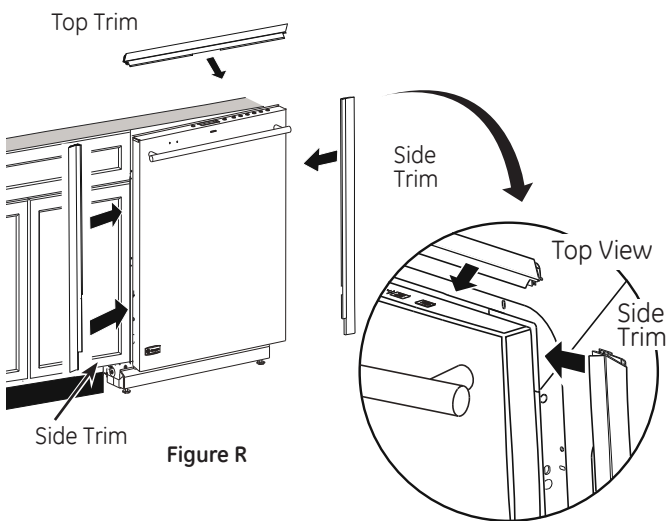


Figure R

- Select the top trim piece (See Figure R) and line up center to the top latch. Press the trim piece onto the tub flange moving from one side to the other.
- Select the left trim piece (see Figure R). Align top edge with the top trim and press it onto the left side of the tub flange moving from the top to the bottom. Repeat for the right side tub flange trim piece. (See Figure R for right side trim piece.)

STEP 13 INSTALL MOUNTING BRACKETS

You will need the mounting brackets and 2 #8 hex-head screws set aside in Step 1.

You must install the mounting brackets onto the dishwasher tub frame top **or** sides prior to sliding the dishwasher into place under the countertop. This dishwasher is capable of a true-flush installation at a 24" deep opening. The mounting brackets have several available attachment positions to accommodate different cabinet constructions.

Install mounting brackets on top if the underside of countertop is wood or wood-like material that accepts screws:

IMPORTANT - After installing brackets and before closing the dishwasher door, adjust the brackets by bending them up as needed, so that they do not contact the top of the dishwasher door and cause damage.

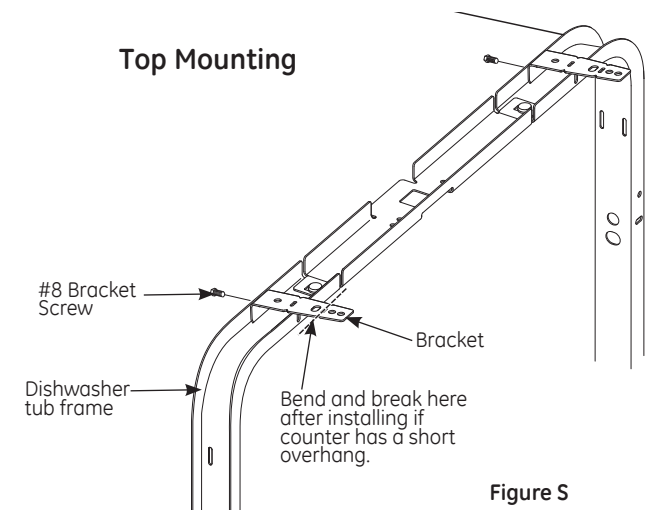


Figure S

- If you are installing the dishwasher under a counter with a short overhang, the countertop brackets may extend beyond the edge of the counter. If this is the case, remove the excess length by repeatedly bending the brackets at the front notch only until they break.

Install mounting brackets on sides if the countertop is granite or similar material that will not accept wood screws:

- Break off front portion of the tab with pliers at the location shown.
- Position the left-hand side bracket as shown. Repeat with the right bracket.

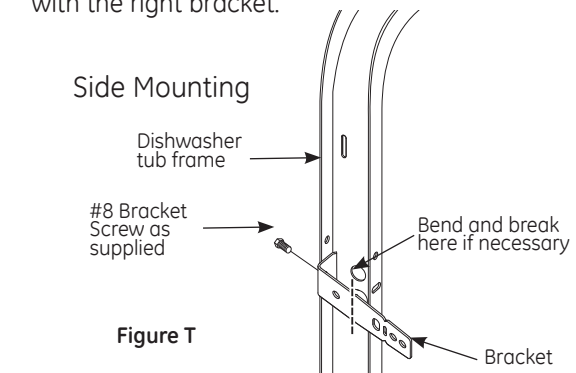


Figure T

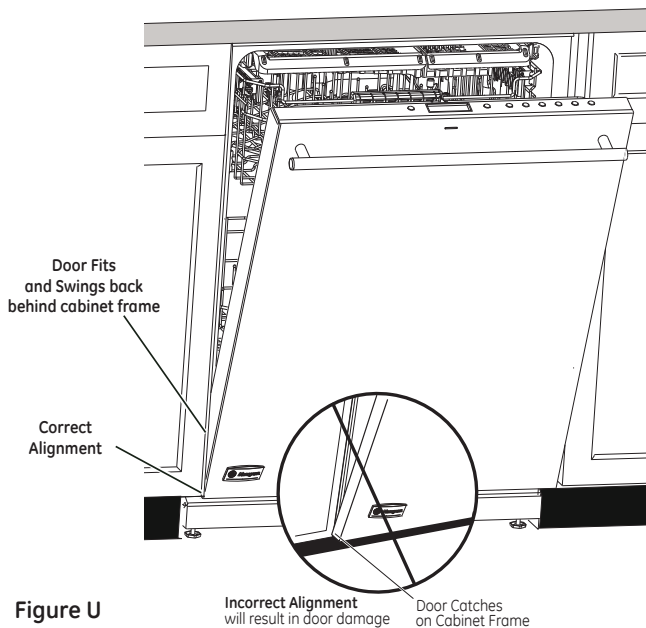
Dishwasher Installation

STEP 14 PUSH DISHWASHER INTO FINAL POSITION

- Check the tub insulation blanket, if equipped, to be sure it is smoothly wrapped around the tub. It should not be “bunched up” and it must not interfere with the door springs. If the insulation is “bunched up” or interfering with the springs, straighten and re center the blanket prior to sliding the dishwasher into its final position.
- Slide the dishwasher into the final position by pushing on the sides of the door panel. Do not use a knee or push on the center of the panel. If you do, damage to the panel will likely result.

IMPORTANT – Before opening the dishwasher door, be certain the edges of the dishwasher door panel are behind the face of the adjacent cabinet and not up against the cabinet face. Refer to Figure U. If the dishwasher door is opened when the edge of the door is against the face of the cabinet, dishwasher door damage and cabinet damage will occur.

- Open and close the dishwasher door to be sure it operates smoothly, and does not rub on the adjacent cabinet.



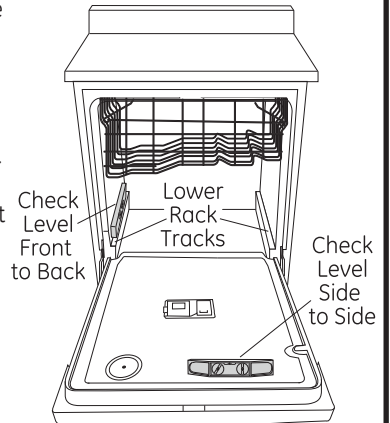
Tip: Prevent unnecessary service charges for panel damage or wash performance.

Check dishwasher alignment prior to opening dishwasher door to prevent panel damage.
Make sure utility lines are not trapped or crushed behind dishwasher. Crushed lines will restrict water flow.

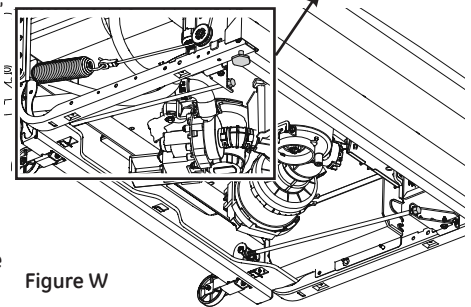
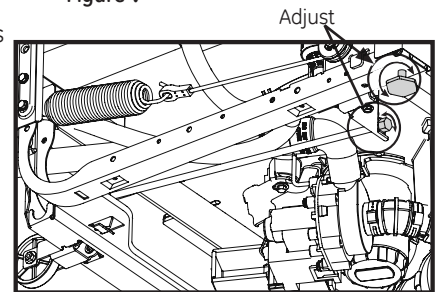
STEP 15 LEVEL DISHWASHER

IMPORTANT – Dishwasher must be level for proper dish rack operation, wash performance and door operation. The dishwasher must be leveled left to right and front to back. This ensures the dish racks will not roll in or out on their own, circulation water will flow to the pump inlet, and the door will close without hitting the side of the tub.

- Remove the lower dish rack and place a level on the door and lower rack track as shown in Figure V.
- The height of the wheels are adjusted from the front of the dishwasher along with the 2 front legs on the bottom of the dishwasher. Begin the leveling process with the front legs by individually turning the front 2 legs.



By adjusting the front legs first, access to the rear leveling bolts is maximized easing rear wheel adjustment. When the front legs are adjusted to a height resulting in an appropriate gap to the upper cabinet, proceed to adjust the rear leveling bolts and wheels. Individually turn the 2 bolts to adjust the rear wheels. Slowly rotate the 2 bolts **counter clockwise to raise** the dishwasher, and **clockwise to lower** it. Continue to adjust the feet and wheels until the dishwasher is level as illustrated in Figure W.



- The dishwasher is properly leveled when the level indicator is centered left to right and front to back. Also, the dishwasher door should close without hitting the side of the tub.
- Replace the lower rack.
- Pull each rack out, about halfway. Check to be sure it does not roll back or forward on the door. If the rack moves, adjust leveling legs.

Tip: Prevent unnecessary service charges. Verify dishwasher is leveled.

Pull the dish racks half way out. They should stay put. Open and close the door. The door should fit in the tub opening without hitting the side of the tub. If the racks roll on their own, or the door hits the side of tub, re level the dishwasher.

Dishwasher Installation

STEP 16 POSITION DISHWASHER, SECURE TO COUNTERTOP OR CABINET

In this step you will need the 2 Phillips special head screws from the screws set aside in Step 1.

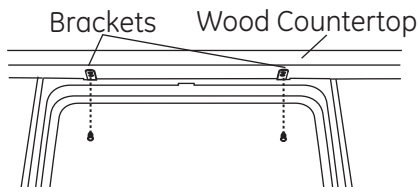
The dishwasher must be secured to the countertop or the cabinet sides. When the underside of the countertop is wood, use **Method 1**. Use **Method 2** when the underside of the countertop is made of a material, such as granite, that will not accept wood screws.

IMPORTANT – Prevent door panel and control panel damage. Dishwasher must be positioned so the front panel and control panel do not contact the adjacent cabinets or countertop. Mounting screws must be driven straight and flush. Protruding screw heads could scratch the door panel or control panel and interfere with door operation.

Method 1

Secure dishwasher to underside of wood countertop.

- Recheck alignment of the dishwasher in the cabinet. Refer to Steps 14 and 15. Door panel and/or control panel must not hit cabinets or countertop.
- Fasten the dishwasher to the underside of the countertop with the 2 Phillips special head screws. Refer to figure. Make certain screws are driven straight and flush to prevent panel damage.



Method 2

Secure dishwasher to cabinet sides.

- Recheck alignment of the dishwasher in the cabinet. Refer to Steps 14 and 15. Door panel and/or control panel must not hit cabinets or countertop. Remove plug buttons. Do not discard.
- Remove plug buttons. Do not discard.
- Fasten the dishwasher to the adjacent cabinets with the 2 Phillips special head screws provided. Refer to Figure X. Make certain screws are driven straight and flush to prevent panel damage.
- Install plug buttons to the side of the tub in the holes provided.

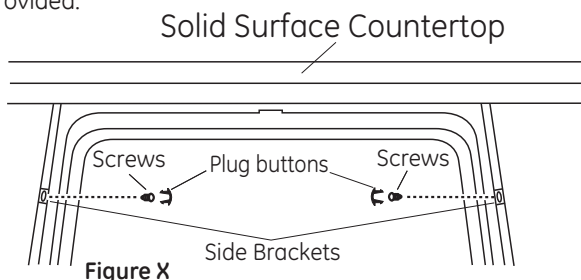


Figure X

STEP 17 CONNECT WATER SUPPLY

Connect water supply line to 90° elbow.

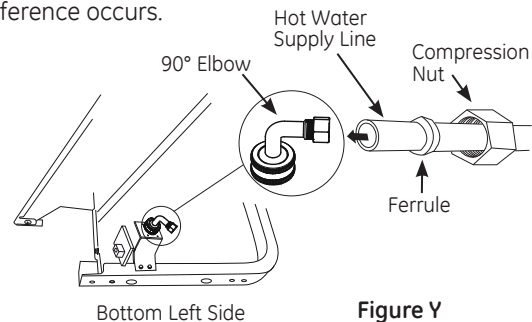
If using a flexible braided hose connection:

- Attach nut to 90° elbow using an adjustable wrench.

If using a copper tubing connection:

- Slide compression nut, then ferrule over end of water line.
- Insert water line into 90° elbow.
- Slide ferrule against elbow and secure with compression nut.

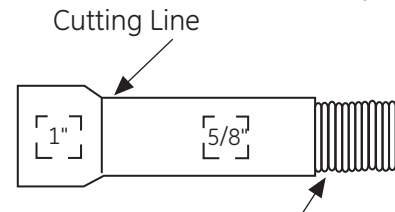
IMPORTANT – Check to be sure that door spring and/or door spring cable do not rub or contact the fill hose or water supply line. Test by opening and closing the door. Reroute the water supply lines if a rubbing noise or interference occurs.



STEP 18 CONNECT DRAIN LINE

The molded end of the drain hose will fit 5/8" through 1" diameter inlet ports on the air gap, waste tee or disposer.

- Determine size of inlet port.
- Cut drain hose connector on the marked line, if required, to fit the inlet port.



IMPORTANT: Do not cut corrugated portion of hose

Figure Z

- If a longer drain hose is required and you did not purchase drain hose **GPF12** or **WD24X10065**, add up to 66" length for a total of 144" (12 feet) to the factory-installed hose. Use 5/8" or 7/8" inside diameter hose and a coupler to connect the 2 hose ends. Secure the connection with hose clamps.

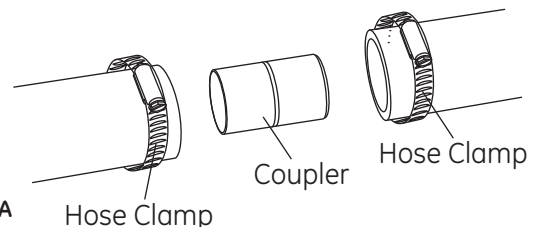


Figure AA

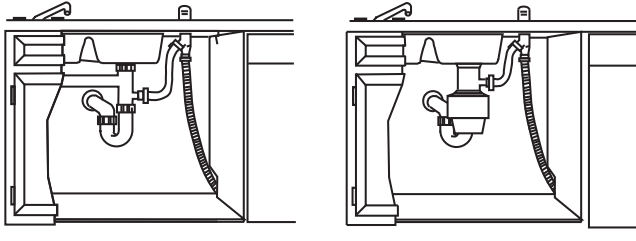
NOTE: TOTAL DRAIN HOSE LENGTH MUST NOT EXCEED 15 FEET FOR PROPER DRAIN OPERATION.

Dishwasher Installation

STEP 18 CONNECT DRAIN LINE (Cont.)

- Connect drain line to air gap, waste tee or disposer using the previously determined method. Secure hose with a screw-type clamp.

Method 1 – Air gap with waste tee or disposer



Waste Tee Installation

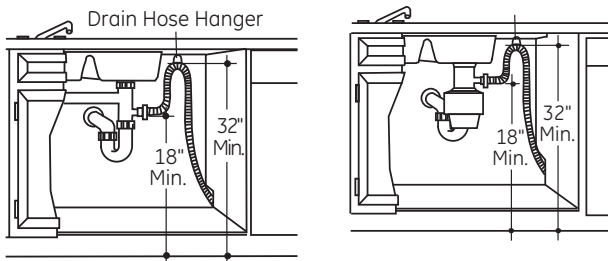
Disposer Installation

Figure AB

Method 2 – “High drain loop” with waste tee or disposer

With this method you will need the drain hose hanger set aside in Step 1.

Fasten drain hose to underside of countertop with the provided hanger.

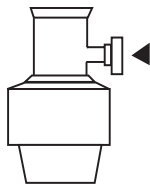


Waste Tee Installation

Disposer Installation

Figure AC

IMPORTANT – When connecting drain line to disposer, check to be sure that drain plug has been removed. **DISHWASHER WILL NOT DRAIN IF PLUG IS LEFT IN PLACE.**



Remove
Drain
Plug

Tip: Avoid unnecessary service call charges for a no drain complaint.

Make sure excess drain hose has been pulled through the cabinet opening. This will prevent excess hose in the dishwasher cavity from becoming kinked or crushed by the dishwasher.

STEP 19 CONNECT POWER SUPPLY

If a power cord with plug is already installed proceed to Step 20.

⚠ WARNING:

If house wiring is not 2-wire with ground, a ground must be provided by the installer. When house wiring is aluminum, be sure to use UL-Listed anti-oxidant compound and aluminum-to-copper connectors.

In this step you will need the junction box cover and the #10 Hex head screw from the screws set aside in Step 1.

- Secure house wiring to the back of the junction box with a strain relief.
- Locate the 3 dishwasher wires, (white, black and green) with the stripped ends coming out of the AC jumper. Use UL listed wire nuts of appropriate size to connect incoming ground to green, white to white and black to black.
- Install the junction box cover using #10 hex head screw. Check to be sure that wires are not pinched under the cover.
- Make sure that the junction box cover is resting on the mounting bracket.
- If using a Power Cord Kit, please refer to the included instructions.

NOTE: Do not remove the Junction Box Bracket.

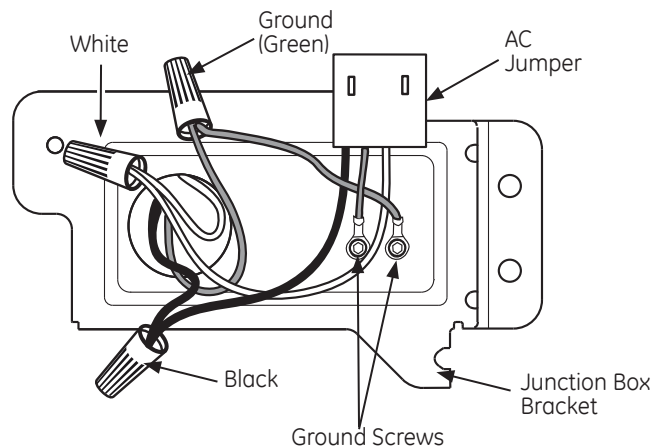


Figure AD

Dishwasher Installation

STEP 20 PRETEST CHECKLIST

Review this list after installing your dishwasher to avoid charges for a service call that is not covered by your warranty.

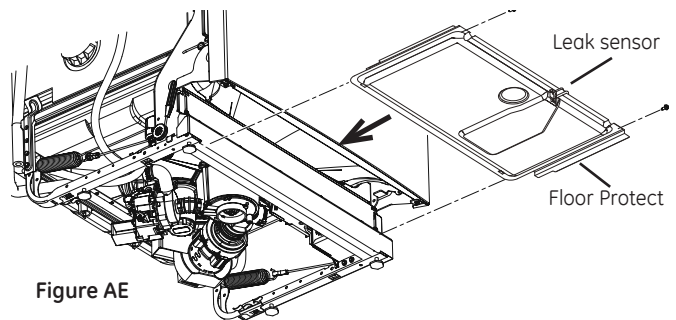
- Check to be sure power is OFF.
- Open door and remove all foam and paper packaging.
- Locate the Owner's Manual set aside in Step 1.
- Read the Owner's Manual for operating instructions.
- Check door opening and closing. If door does not open and close freely, check for proper routing of spring cable over pulley. If door drops or closes when released, adjust spring tension. See Step 2.
- Check to be sure that wiring is secure under the dishwasher, not pinched or in contact with door springs or other components. See Step 19.
- Check door alignment with tub. If door hits tub, level dishwasher. See Step 15.
- Check door alignment with cabinet. If door hits cabinet, reposition dishwasher. See Step 14.
- Check that door spring does not contact water line, fill hose, wiring or other components. See Step 14.
- Verify water supply and drain lines are not kinked or in contact with other components. Contact with motor or dishwasher frame could cause noise.
- Turn on the sink hot water faucet and verify water temperature. Incoming water temperature must be between 120°F and 140°F. A minimum of 120°F temperature is required for best wash performance. See "Prepare Hot Water Line," page 5.
- Add 1 quarts of water to the bottom of the dishwasher to lubricate the pump seal.
- Turn on water supply. Check for leaks. Tighten connections if needed.
- Remove protective film if present from the control panel and door.

STEP 21 DISHWASHER WET TEST

- Turn on power supply or plug power cord into outlet, if equipped.
- Select a cycle to run and push the **START** button.
- Ensure the door is latched. Dishwasher should start.
- Check to be sure that water enters the dishwasher. If water does not enter the dishwasher, check to be sure that water and power are turned on.
- Check for leaks under the dishwasher. If a leak is found, turn off power at the breaker, and then tighten water connections. Restore power after leak is corrected.
- Check for leaks around the door. A leak around the door could be caused by door rubbing or hitting against adjacent cabinets. Reposition the dishwasher if necessary. See Step 14.
- Press and hold the **START** button for 3 seconds to cancel the cycle. The unit will begin to drain. Check drain lines. If leaks are found, turn off power at the breaker and correct plumbing as necessary. Restore power after corrections are made. See Steps 8, 10, 11 and 18.
- Open dishwasher door and make sure all of the water has drained. If not, check that disposer plug has been removed and/or air gap is not plugged. Also check drain hose to be sure it is not kinked underneath or behind dishwasher. See Step 18.
- Press **START** button once again and run dishwasher through another cycle. Check for leaks and correct if required.
- Repeat this step as necessary.

STEP 22 REPLACE FLOOR PROTECT

- Slide Floor Protect under dishwasher.
- Angle the rear back edge of the Floor Protect upwards to engage mounting tabs.
- Lift front of drip tray and secure with 2 screws.
- Connect leak sensor connector to leak sensor.



WARNING:

When reinstalling the floor protect pan, make certain that the screws have been fully secured. This will ensure that if the unit is properly grounded, that the floor protect pan will also be grounded.

Dishwasher Installation

STEP 23 POSITION INSULATION, PRE-TOEKICK, AND SOUND BARRIER (on some models)

Skip this step if the sound insulation package is not supplied with the dishwasher.

- Locate the sound insulation package and pre-toekick packages inside the dishwasher.
- Stand the parts upright as shown.

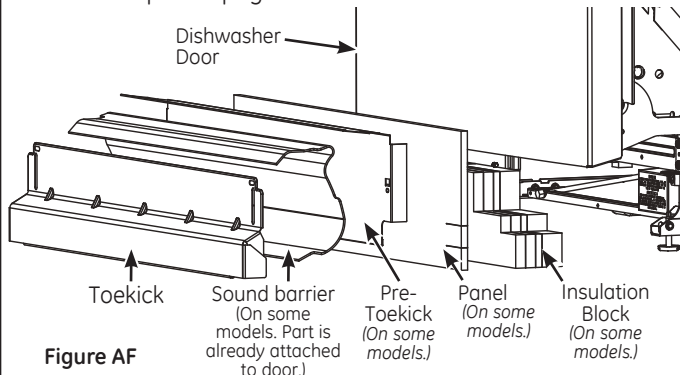


Figure AF

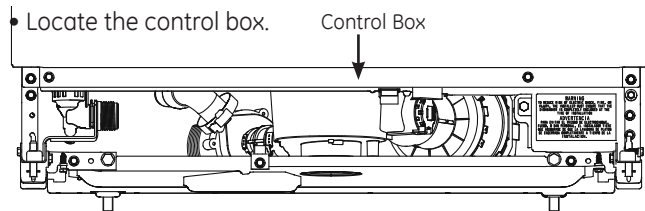


Figure AG

- Push insulation block portion under the dishwasher until it is beneath the control box.

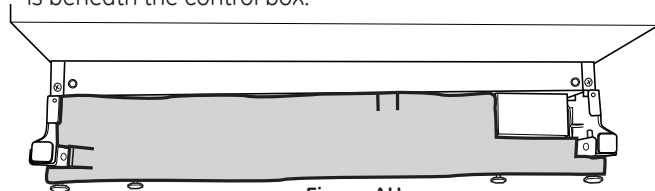
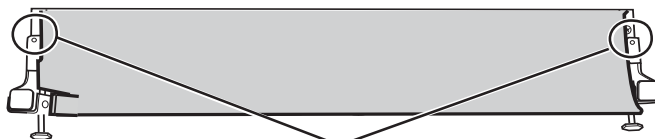


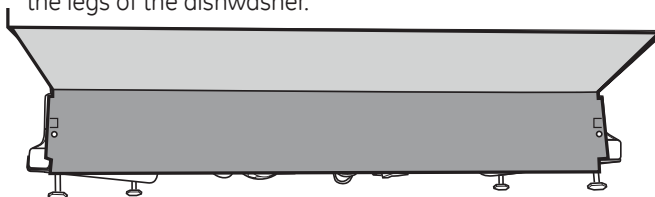
Figure AH

- Push the panel portion up to the front of the block.



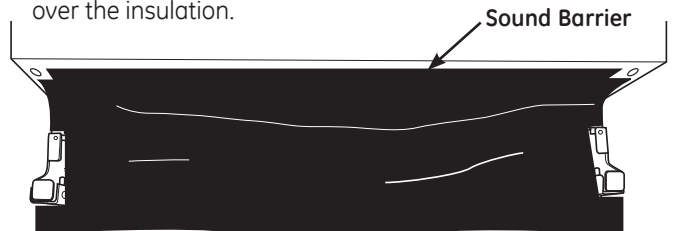
Push the sides of the insulation behind the toekick attachment screw holes

- Tuck the sides of the front panel behind the toekick attachment screw holes.
- Open door all the way, if the door doesn't stay fully open, adjust the insulation panel.
- On models so equipped, position pre-toekick over the insulation. Align the screw holes with the screw holes on the legs of the dishwasher.



STEP 23 POSITION INSULATION, PRE-TOEKICK, AND SOUND BARRIER (on some models) (Cont.)

- On models so equipped, remove the masking tape from the sound barrier and door front. Position the sound barrier over the insulation.



STEP 24 REPLACE TOEKICK

- Place toekick against the pre-toekick and legs of the dishwasher.

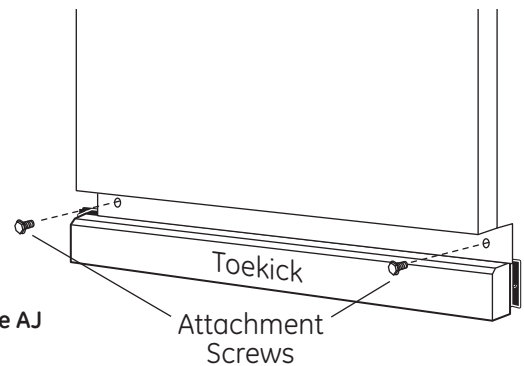


Figure AJ

- Align the toekick with the bottom edge and make sure it is against the floor.
- Insert and tighten the 2 toekick attachment screws. The toekick should stay in contact with the floor.
- When reinstalling the toe kick on models with a sound barrier, ensure that the bottom edge of the rubberized flap is flush with the floor. Any excess material should be tucked up behind the outer door. Do not allow excess rubberized flap to lay on the floor. If any excess is not tucked completely behind the outer door, it will bunch up between the door and toe kick and impede proper opening and closing of the door. This will be noticeable because the door will not stay fully open and will spring up.

Tip: Reduce sound from under the dishwasher. Make sure toekick is against floor.

STEP 25 LITERATURE

- Be sure to leave complete literature package, these Installation Instructions and product samples and/or coupons with the consumer.

Notes

NOTE: While performing installations described in this book, safety glasses or goggles should be worn.

For Monogram® local service in your area, call 1.800.444.1845.

NOTE: Product improvement is a continuing endeavor at General Electric. Therefore, materials, appearance and specifications are subject to change without notice.

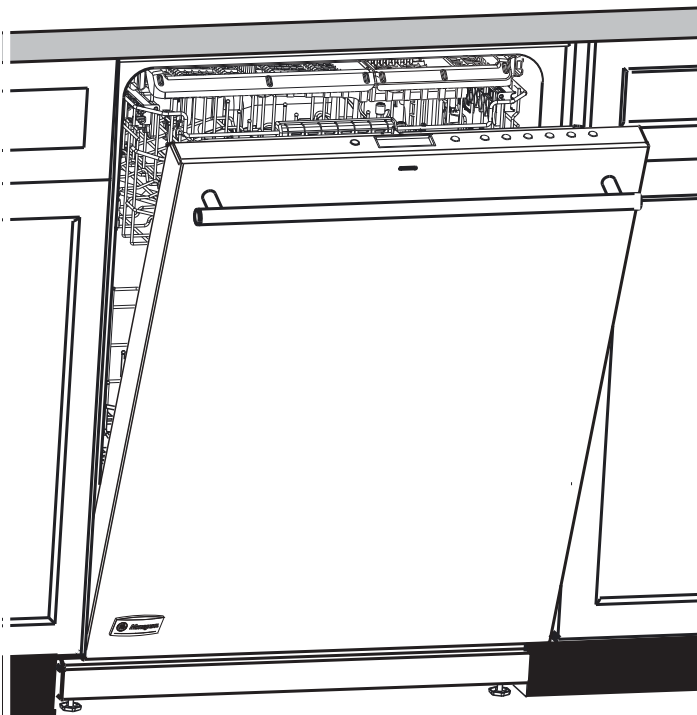


GE Consumer & Industrial
Appliances
General Electric Company
Louisville, KY 40225
Monogram.com

Instructions d'installation

Lave-vaisselle encastré

*Les modèles avec panneau frontal sur commande viennent avec une trousse comprenant un gabarit, la quincaillerie et les instructions d'installation du panneau. Se reporter aux instructions de la trousse pour installer le panneau sur commande.



31-31530

09-13 GE



Information de sécurité

AVANT DE COMMENCER

Veillez lire attentivement toutes les directives qui suivent..

- **IMPORTANT** — Observez tous les codes et ordonnances en vigueur.
- Note à l'installateur – Veuillez laisser les présentes directives au consommateur pour l'inspecteur local.
- Note au consommateur – Veuillez conserver les présentes directives avec votre Manuel d'utilisation pour consultation ultérieure.
- Compétences requises – L'installation de ce lave-vaisselle exige des compétences de base en mécanique, en électricité et en plomberie. L'installateur est responsable de la qualité de l'installation. Toute défaillance du produit attribuable à une installation inadéquate n'est pas couverte par la garantie de GE. Reportez-vous à la garantie du produit.
- Durée de l'installation – Entre 1 et 3 heures. L'installation d'un nouveau lave-vaisselle exige plus de temps que le remplacement d'un ancien modèle.

- **IMPORTANT** — Le lave-vaisselle DOIT être installé de manière à ce qu'il puisse être sorti de son emplacement si des réparations sont nécessaires. Il importe d'user de prudence lorsque l'appareil est installé ou déplacé afin de prévenir l'endommagement du cordon d'alimentation.

Si le lave-vaisselle que vous avez reçu est endommagé, communiquez immédiatement avec votre détaillant ou l'entrepreneur en construction.

Accessoires facultatifs – Reportez-vous au Manuel d'utilisation pour connaître les ensembles pour panneau décoratif personnalisé offerts.

LIRE ATTENTIVEMENT. IL FAUT GARDER CES INSTRUCTIONS. SÉCURITÉ

Il faut lire et observer tous les avertissements (PRUDENCE et ATTENTION) montrés dans ces instructions.

Pendant l'installation décrite dans ce livret, il faut porter des gants et des lunettes de sécurité.

Pour le service local Monogram dans votre région:
**1.800.444.1845. Pièces et accessoires Monogram, appeler le:
1.800.626.2002.
Pièces et accessoires Monogram au Canada, appeler le:
1.800.561.3344.**

CONTENU

Préparation pour l'installation

Pièces fournies dans l'emballage	3
Matériaux nécessaires	3
Outils nécessaires.....	3
Préparation de l'ouverture dans les armoires	4
Exigences relatives au système de vidange.....	4
Choix de la méthode de vidange	4
Préparation des armoires.....	4
Préparation du câblage électrique.....	5
Préparation de l'alimentation en eau chaude.....	6

Installation du lave-vaisselle

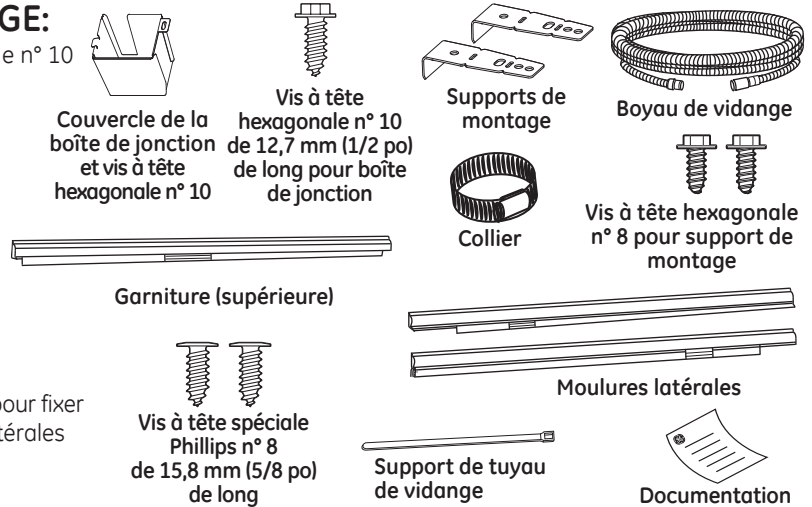
Étape 1, Préparation.....	7
Étape 2, Vérification de l'équilibre de la porte.....	7
Étape 3, Enlèvement de la base de bois, installation des pieds de nivellement	7
Étape 4, Enlèvement du panneau inférieur	7
Étape 5, Installation du matériau insonorisant.....	7
Étape 6, Retrait du protège-plancher	8
Étape 7, Installation du coude de 90°.....	8
Étape 8, Raccordement du boyau de vidange à la boucle de vidange	8
Étape 9, Positionnement de la conduite d'eau et de l'alimentation électrique	8

Étape 10, Insertion du boyau de vidange dans l'orifice de l'armoire	8
Étape 11, Insertion aux trois quarts du lave-vaisselle dans l'ouverture.....	9
Étape 12, Installation des moulures	9
Étape 13, Installation des supports de montage	9
Étape 14, Installation du lave-vaisselle dans son emplacement définitif.....	10
Étape 15, Mise à niveau du lave-vaisselle	10
Étape 16, Fixation du lave-vaisselle au-dessous du comptoir ou aux côtes des armoires	11
Étape 17, Raccordement de l'alimentation en eau.....	11
Étape 18, Raccordement du boyau de vidange	12
Étape 19, Branchement à l'alimentation électrique	13
Étape 20, Liste de contrôle préliminaire	13
Étape 21, Essai du lave-vaisselle avec de l'eau	14
Étape 22, Détermination du protège-plancher	14
Étape 23, Installation du matériau insonorisant et du matériau isolant.....	14, 15
Étape 24, Reinstallation du panneau inférieur	15
Étape 25, Documentation.....	15

Préparation pour l'installation

PIÈCES FOURNIES DANS L'EMBALLAGE:

- Couvercle de la boîte de jonction et vis à tête hexagonale n° 10
- Collier
- Boyau de vidange (198 cm/78 po de long)
- Support de tuyau de vidange
- 2 Vis à tête hexagonale n° 8-18 pour fixer les supports au cadre de la cuve du lave-vaisselle
- 2 Boutons de bouchon
- 2 Moulures latérales
- 1 Garniture supérieure
- 2 Supports de montage pour comptoirs ou armoires latérales en bois
- 2 Vis à tête spéciale Phillips n° 8-18 x 15,8 mm (5/8 po) pour fixer le lave-vaisselle au dessous du comptoir ou armoires latérales
- Documentation, échantillons et/ou bons

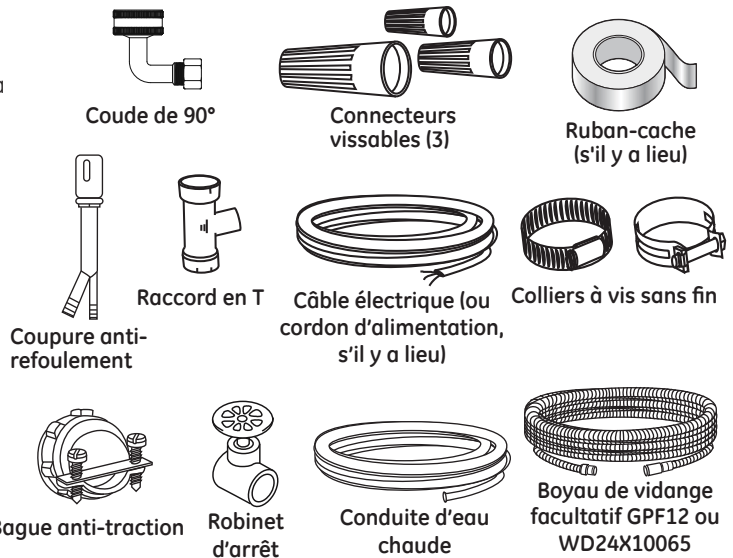


MATÉRIAUX NÉCESSAIRES:

- 90°, bague et écrou à compression (boyau avec filetage interne 19,1 mm [3/4 po] à une extrémité et de dimension adaptée à la conduite d'alimentation à l'autre extrémité)
- Connecteurs vissables homologués UL (3)
- Ruban-cache

Pour une nouvelle installation:

- Coupure anti-refoulement pour le boyau de vidange, si nécessaire
- Raccord en T pour la plomberie de la résidence, s'il y a lieu
- Câble électrique ou cordon d'alimentation selon vos modèles, des cordons à raccord rapide sont offerts.
- Colliers à vis sans fin
- Bague anti-traction pour le raccordement électrique
- Robinet d'arrêt (recommandé)
- Conduite d'eau chaude - 9,5 mm (3/8 po) minimum, tuyau en cuivre (incluant la bague et l'écrou à compression) ou la pièce WX28X326 de GE, boyau métallique flexible.
- Boyau de vidange de 3,7 m (12 pi) de long GPF12 ou WD24X10065, si nécessaire

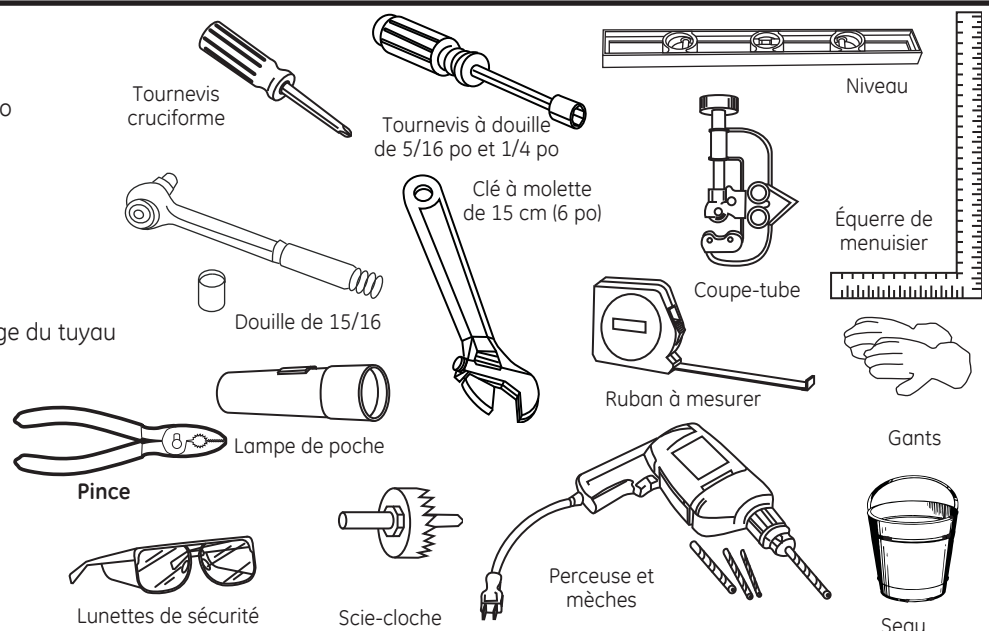


OUTILS NÉCESSAIRES:

- Tournevis cruciforme
- Tournevis à douille de 5/16 po et 1/4 po
- Clé à molette de 15 cm (6 po)
- Niveau
- Équerre de menuisier
- Ruban à mesurer
- Lunettes de sécurité
- Lampe de poche
- Seau pour attraper l'eau lors de la purge du tuyau
- Douille de 15/16 po (optionnelle pour la dépose de la palette)
- Gants
- Pince

Pour une nouvelle installation:

- Coupe-tube
- Perceuse et mèches appropriées
- Jeu de scie-cloche



Préparation pour l'installation

PRÉPARATION DE L'OUVERTURE DANS LES ARMOIRES

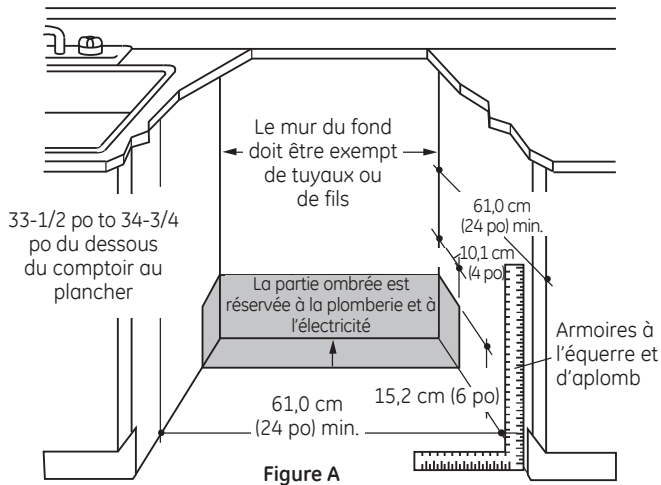


Figure A

- L'ouverture dans les armoires doit mesurer au moins 61,0 cm (24 po) de largeur et de profondeur, et environ 87,6 cm (34-1/2 po) de hauteur à partir du plancher jusqu'au-dessous du comptoir.
- Le lave-vaisselle doit être installé de façon à ce que le boyau de vidange mesure au maximum 3.66 mètres (12 pieds) pour assurer une vidange adéquate.
- Le dessus, les côtés et l'arrière du lave-vaisselle doivent être complètement dissimulés à l'intérieur de l'ouverture. Le lave-vaisselle ne doit soutenir aucune partie de la structure des armoires.

⚠ AVERTISSEMENT :

Pour réduire les risques de choc électrique, d'incendie ou de blessures, l'installateur doit s'assurer que le lave-vaisselle est complètement encastré au moment de l'installation.

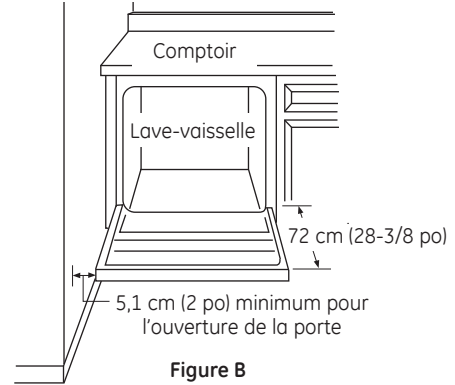


Figure B

DÉGAGEMENTS:

- Dans le cas d'une installation dans un coin, veuillez prévoir un dégagement d'au moins 5,1 cm (2 po) entre le lave-vaisselle et les armoires, le mur ou un électroménager adjacent. Veuillez prévoir un dégagement d'au moins 72 cm (28-3/8 po) à l'avant du lave-vaisselle pour l'ouverture de la porte. Reportez-vous à la Figure B.
- Laisser un espace d'au moins 15,2 cm (6 po) entre le lave-vaisselle, la cuisinière ou autres appareils avec four.

EXIGENCES RELATIVES AU SYSTÈME DE VIDANGE

- Veuillez observer les ordonnances et les codes locaux en vigueur.
- Le boyau de vidange doit avoir une longueur maximale de 4.57 mètres (15 pieds).

REMARQUE: Il faut installer une coupure anti-refoulement si le raccord au broyeur à déchets ou au raccord en T se trouve à moins de 46 cm (18 po) au-dessus du plancher afin d'éviter un siphonage.

CHOIX DE LA MÉTHODE DE VIDANGE

Le type d'installation de vidange dépend des conditions suivantes.

- Les ordonnances ou codes locaux en vigueur exigent-ils une coupure anti-refoulement?
- Le raccord en T se trouve-t-il à moins de 46 cm (18 po) du plancher?

Si vous répondez OUI à l'une ou l'autre de ces questions, vous DEVEZ utiliser la méthode n° 1.

- Si vous répondez NON, vous pouvez employer l'une ou l'autre des méthodes.

PRÉPARATION DES ARMOIRES

- Percez un trou de 3,8 cm (1-1/2 po) de diamètre dans la paroi de l'armoire qui se trouve dans la partie ombrée de la Figure A pour le boyau de vidange. Assurez-vous que l'orifice ne présente pas d'arêtes vives.

IMPORTANT – Lorsque vous branchez le boyau de vidange à un broyeur à déchets, assurez-vous d'enlever le bouchon de vidange. **LE LAVE-VAISSELLE NE POURRA PAS SE VIDER SI VOUS LAISSEZ LE BOUCHON EN PLACE.**

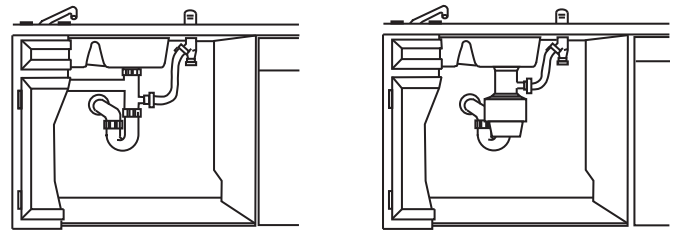
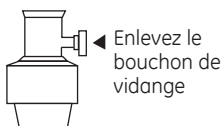


Figure C

Méthode n° 1 – Coupure anti-refoulement avec raccord en T ou broyeur à déchets

Il faut installer une coupure anti-refoulement lorsqu'elle est exigée par les ordonnances et les codes locaux en vigueur. Cette coupure anti-refoulement doit être installée conformément aux directives données par le fabricant.

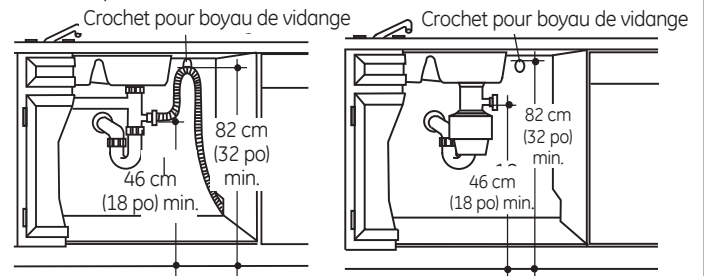


Figure D

Méthode n° 2 – Boucle de vidange élevée avec raccord en T ou broyeur à déchets

Conseil: Pour éviter des frais de réparation inutiles.

Assurez-vous d'enlever le bouchon de vidange du broyeur à déchets avant d'y brancher le boyau de vidange du lave-vaisselle.

Préparation pour l'installation

PRÉPARATION DU CÂBLAGE ÉLECTRIQUE

⚠ AVERTISSEMENT :

POUR VOTRE SÉCURITÉ PERSONNELLE: Enlevez le fusible ou déclenchez le disjoncteur au panneau de distribution principal avant de commencer l'installation. N'utilisez pas une rallonge électrique ou un adaptateur de fiche avec cet appareil.

Alimentation électrique

- Cet appareil doit être alimenté par un courant de 120 V et 60 Hz, et branché à un circuit individuel correctement mis à la terre et protégé par un disjoncteur de 15 ou 20 ampères ou un fusible temporisé.
- Le câble électrique doit posséder deux fils, plus un fil de mise à la terre, et résister à une température nominale de 75 °C (167 °F).
- Si votre alimentation électrique ne répond pas à ces exigences, appelez un électricien agréé avant de poursuivre l'installation.

Mise à la terre – Branchement permanent

Cet appareil doit être branché à un réseau électrique permanent mis à la terre. Sinon, il faut installer un conducteur de mise à la terre avec les conducteurs du circuit et le brancher à la borne de mise à la terre du réseau ou au fil de mise à la terre de l'appareil.

Mise à la terre – Modèles dotés d'un cordon d'alimentation

Cet appareil doit être mis à la terre. En cas de mauvais fonctionnement ou de défaillance, la mise à la terre réduira les risques de choc électrique en fournissant au courant électrique un circuit de moindre résistance. Cet appareil est doté d'un cordon d'alimentation possédant un conducteur de mise à la terre et une fiche de mise à la terre. La fiche doit être branchée dans une mise appropriée, installée et mise à la terre en conformité avec tous les codes locaux et ordonnances en vigueur.

⚠ AVERTISSEMENT :

Un branchement inadéquat du conducteur de mise à la terre peut présenter des risques de choc électrique. Si vous n'êtes pas certain que l'appareil est correctement mis à la terre, consultez un réparateur ou un électricien qualifié.

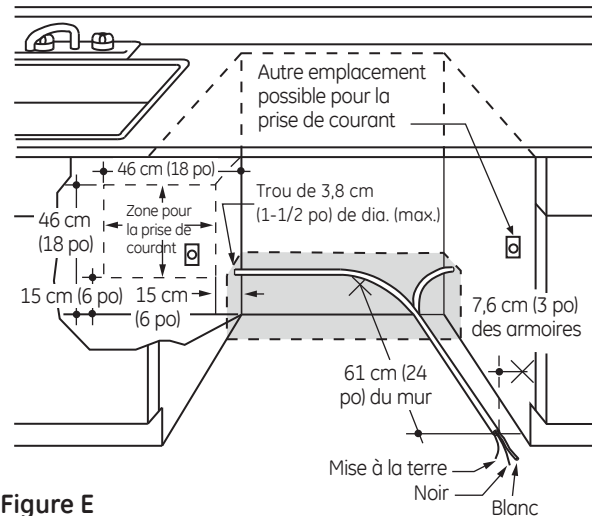


Figure E

Dans le cas des modèles dotés d'un cordon d'alimentation:

Ne modifiez pas la fiche fournie avec l'appareil; si vous ne pouvez pas la brancher dans la prise de courant, faites installer une prise de courant appropriée par un technicien qualifié.

Préparation des armoires et cheminement des fils

- Les fils peuvent entrer dans l'ouverture du côté droit, du côté gauche, de l'arrière ou du plancher dans la partie ombrée de la Figure E et de la Figure A.
- Percez un trou de 3,8 cm (1-1/2 po) de diamètre au maximum pour le passage du câble électrique. Le bord du trou doit être lisse et arrondi. Les fils électriques pour le branchement permanent peuvent passer par le même trou que le boyau de vidange et la conduite d'eau chaude, si c'est plus pratique. Si le trou est pratiqué dans une paroi en métal, les bords de l'orifice doivent être recouverts d'un passe-fils pour protéger les fils.

REMARQUE: Le cordon d'alimentation doté d'une fiche doit passer par un autre trou.

Branchement électrique du lave-vaisselle

Le branchement électrique s'effectue du côté avant droit du lave-vaisselle.

- Dans le cas d'un branchement permanent, le câble doit être acheminé de la façon indiquée à la Figure E. Le câble doit avoir une longueur minimale de 61 cm (24 po) à partir du mur arrière.
- Dans le cas d'un branchement avec un cordon d'alimentation, installez une prise de courant mise à la terre à trois broches sur la paroi de l'armoire adjacente, entre 15 cm (6 po) et 46 cm (18 po) de l'ouverture, et entre 15 cm (6 po) et 46 cm (18 po) du plancher.
- Utilisez la trousse pour cordon d'alimentation selon votre modèle de lave-vaisselle.

Préparation pour l'installation

PRÉPARATION DE L'ALIMENTATION EN EAU CHAUDE

REMARQUE: GE recommande l'utilisation d'un tuyau en cuivre pour la conduite d'alimentation en eau, mais vous pouvez choisir un boyau flexible tressé no **WX28X326** de GE.

- La conduite d'alimentation en eau (tuyau de cuivre de 9,5 mm [3/8 po] ou boyau flexible tressé) peut entrer du côté gauche, du côté droit, de l'arrière ou du plancher dans la partie ombrée indiquée dans la Figure F.
- La conduite d'alimentation en eau doit passer dans le même trou que le câble électrique et le boyau de vidange. Ou vous pouvez percer un trou supplémentaire de 3,8 cm (1-1/2 po) de diamètre pour le passage de la conduite d'eau. Si l'appareil est doté d'un cordon d'alimentation pourvu d'une fiche, la conduite d'eau chaude ne doit pas passer par le même trou que le cordon d'alimentation.

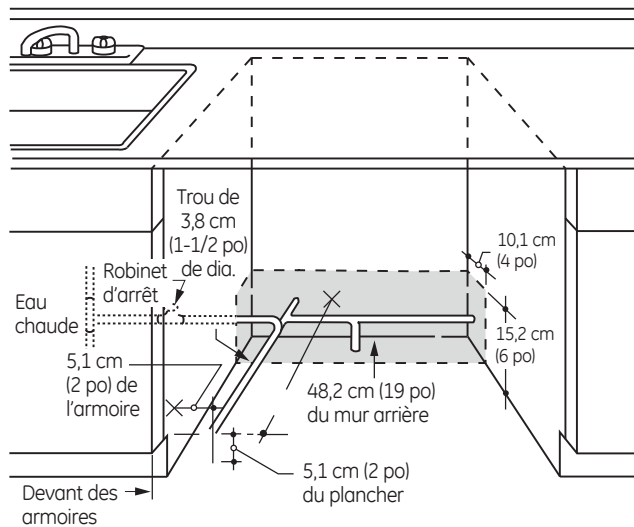


Figure F

Raccordement de la conduite d'eau chaude

- Si vous utilisez un boyau flexible tressé, étiquetez le boyau et indiquez la date d'installation à des fins de référence. Les boyaux flexibles tressés doivent être remplacés dans 5 ans.
- Coupez l'alimentation en eau.
- Installez un robinet d'arrêt à un endroit accessible, par exemple sous l'évier. (Cette installation est facultative, mais fortement recommandée, et peut même être exigée par les codes locaux en vigueur.)
- Le raccordement de la conduite d'eau s'effectue du côté gauche du lave-vaisselle. Installez la conduite d'eau chaude en utilisant un tuyau en cuivre de 9,5 mm (3/8 po) ou plus ou boyau flexible tressé. Acheminez la conduite d'eau de la façon indiquée dans la Figure F et amenez-la vers l'avant à au moins 48,2 cm (19 po) du mur arrière.
- Réglez le chauffe-eau à une température variant entre 49 °C (120 °F) et 65 °C (140 °F).
- Rincez la conduite d'eau pour éliminer tous les débris. Recueillez l'eau et les débris à l'aide d'un seau.
- La pression de la conduite d'alimentation en eau chaude doit varier entre 1,4 bar (20 lb/po²) et 8,3 bars (120 lb/po²).

Tournez la page pour commencer l'installation du lave-vaisselle.

⚠ ATTENTION:

N'enlevez pas la base de bois avant d'être prêt à installer le lave-vaisselle. Si vous enlevez la base de bois, le lave-vaisselle pourrait basculer lorsque vous ouvrez la porte.

Installation du lave-vaisselle

ÉTAPE 1 PRÉPARATION

Prenez les pièces fournies dans l'emballage et mettez-les de côté:

- Ensemble de vis
- Couvercle de la boîte de jonction
- Boyau de vidange et collier
- Supports de montage
- Moulures (certains modèles)
- Crochet pour boyau de vidange
- Manuel d'utilisation
- Échantillons et/ou bons

ÉTAPE 2 VÉRIFICATION DE L'ÉQUILIBRE DE LA PORTE

REMARQUE : Si vous installez un panneau personnalisé (offert sur certains modèles), veuillez suivre les instructions fournies avec la trousse du panneau personnalisé.

- Sans enlever la base de bois du lave-vaisselle, vérifiez l'équilibre de la porte en l'ouvrant et en la fermant.
- La porte est correctement équilibrée si, étant ouverte, elle se referme d'elle-même à l'intérieur de 20° de la verticale, reste en position de 20° à 70°, et s'ouvre entièrement au-delà de 70°.
- Si nécessaire, augmentez ou diminuez la tension, tel qu'illustré. Certains modèles sont munis de 2 ressorts d'un côté et d'un ressort de l'autre. Fermez la porte et ajustez les ressorts pour rétablir l'équilibre de la porte.

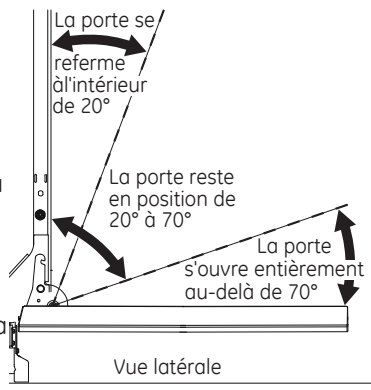


Figure G

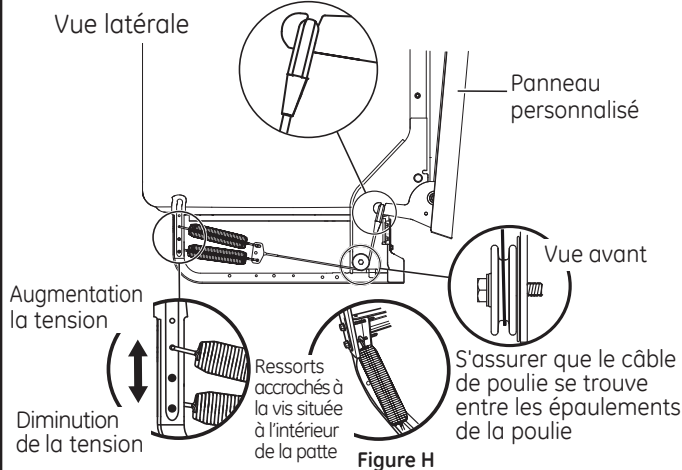


Figure H

Conseil: Pour que la porte ouvre et se ferme facilement. Vérifiez la porte en l'ouvrant et en la fermant. Si elle n'ouvre pas facilement ou s'ouvre trop rapidement, vérifiez la disposition du câble du ressort. Le câble est retenu en place par des «épaulements» sur la poulie. Assurez-vous que le câble est bien installé sur les épaulements de la poulie comme indiqué.

ÉTAPE 3 ENLÈVEMENT DE LA BASE DE BOIS, INSTALLATION DES PIEDS DE NIVELLEMENT

IMPORTANT – Ne frappez pas sur la base de bois pour l'enlever! Vous endommagerez ainsi l'appareil.

- Amenez le lave-vaisselle à proximité de son emplacement définitif et couchez-le sur le dos.
- Enlevez les quatre pieds de nivellement sous la base de bois à l'aide d'une clé à douille de 23,8 cm (15/16 po).
- Retirez la base et les 2 pieds de nivellement.
- Revissez les 2 pieds de nivellement avant dans le cadre du lave-vaisselle, à 1,27 cm (1/2 po) environ du cadre, comme indiqué dans l'illustration.

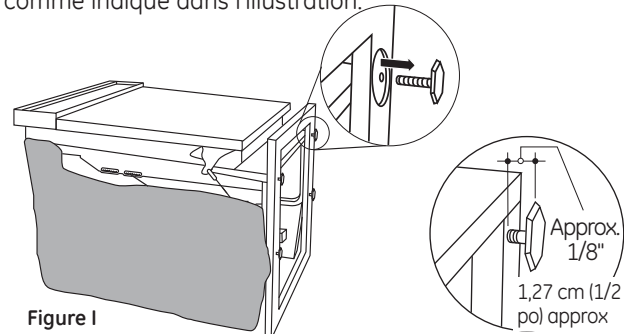


Figure I

REMARQUE : Le lave-vaisselle est doté de roulettes de nivellement ajustables à l'arrière. Il n'a donc pas besoin de pieds de nivellement à cet endroit.

ÉTAPE 4 ENLÈVEMENT DU PANNEAU INFÉRIEUR

- Enlevez les deux vis du panneau inférieur, ainsi que le panneau inférieur. Mettez-les de côté pour les réutiliser à l'étape 24.

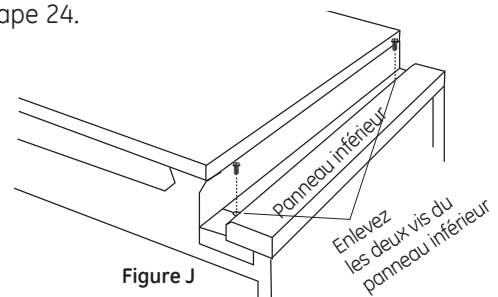
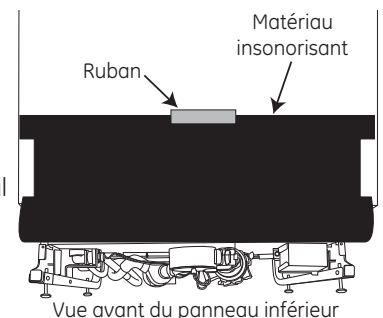


Figure J

ÉTAPE 5 INSTALLATION DU MATÉRIAU INSONORISANT (sur certains modèles)

Passez à l'étape suivante si le lave-vaisselle n'est pas équipé de matériau insonorisant

Relevez le matériau insonorisant et le ruban et fixez-le au panneau frontal à l'aide du ruban-cache. Ceci permettra de garder le matériau insonorisant relevé et de dégager la zone de travail pendant l'installation.



Vue avant du panneau inférieur

Figure K

Installation du lave-vaisselle

ÉTAPE 6 RETRAIT DU PROTÈGE-PLANCHER

Débranchez les fils du détecteur de fuites. (sur certains modèles).

- Enlevez 2 vis sur le devant du protège-plancher avec un tournevis $\frac{1}{4}$ po.
- Tournez le protège-plancher vers l'extérieur et le soulevez pour le décrocher des supports de montage.
- Mettez-le de côté pour le réutiliser à l'étape 22.

Pincer le haut du connecteur pour libérer la pince à ressort

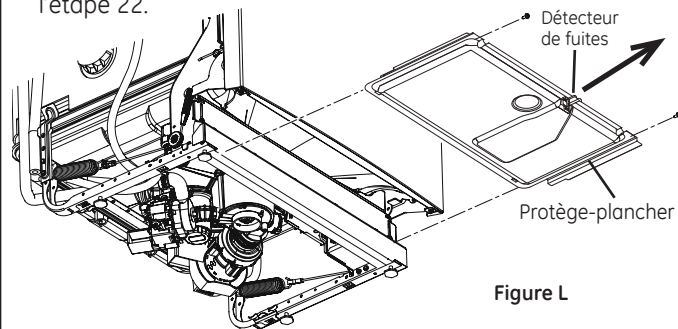
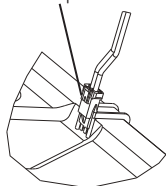


Figure L

ÉTAPE 9 POSITIONNEMENT DE LA CONDUITE D'EAU ET DE L'ALIMENTATION ÉLECTRIQUE

- Positionnez la conduite d'alimentation en eau et le câblage de la résidence sur le plancher de l'ouverture afin qu'ils n'entrent pas en contact avec la base du lave-vaisselle et les pièces sous l'appareil.

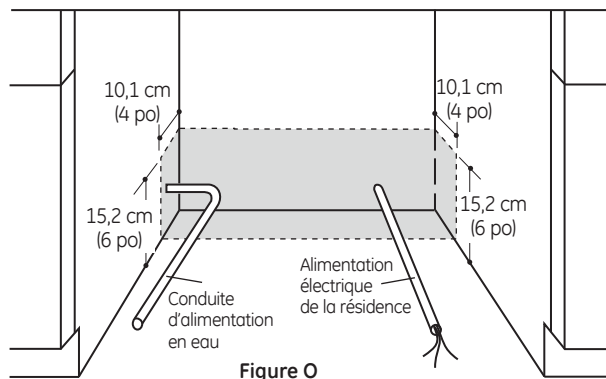


Figure O

ÉTAPE 7 INSTALLATION DU COUDE DE 90°

- Vissez le coude de 90° dans l'électrovanne.
- Ne serrez pas le coude de façon excessive; le support de l'électrovanne pourrait se déformer ou le raccord de l'électrovanne pourrait se casser.
- Tournez l'extrémité du coude pour qu'il pointe vers l'arrière du lave-vaisselle.

Devant du lave-vaisselle

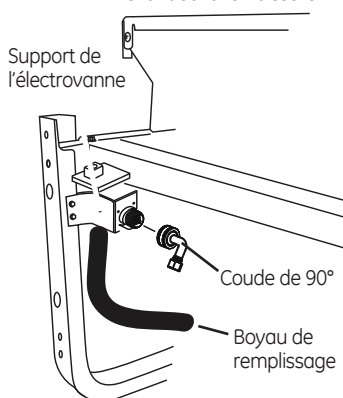


Figure M

ÉTAPE 8 RACCORDEMENT DU BOYAU DE VIDANGE À LA BOUCLE DE VIDANGE

Raccordez l'extrémité de la boucle de vidange au boyau de vidange à l'aide du collier de serrage à vis sans fin, comme illustré.

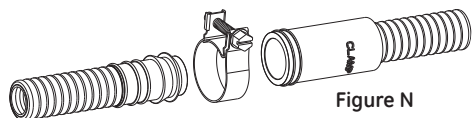


Figure N

NOTE: The high drain loop on the side of the tub is designed for better wash performance. Do not remove from the side of the tub.

ÉTAPE 10 INSERTION DU BOYAU DE VIDANGE DANS L'ORIFICE DE L'ARMOIRE

- Placez le lave-vaisselle vis-à-vis de l'ouverture dans les armoires. Insérez le boyau de vidange dans l'orifice que vous avez précédemment percé dans la paroi des armoires. Si l'appareil est doté d'un cordon d'alimentation, faites passer l'extrémité du cordon dans un trou distinct.

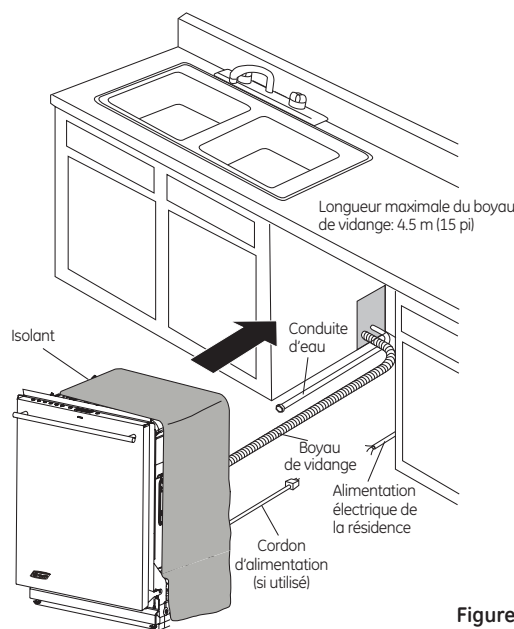


Figure P

Conseil: Pour éviter des frais de réparation inutiles pour des problèmes de remplissage, de vidange ou de bruit.

Placez la conduite d'eau et le câble électrique de manière à ce qu'ils n'entrent pas en contact avec quoi que ce soit à l'arrière ou en dessous du lave-vaisselle.

Installation du lave-vaisselle

ÉTAPE 11 INSERTION AUX TROIS QUARTS DU LAVE-VAISSELLE DANS L'OUVERTURE

IMPORTANT – Ne poussez pas sur le panneau avant avec vos genoux. Vous pourriez endommager l'appareil.

- Saisissez le panneau avant de l'appareil par les côtés et faites glisser le lave-vaisselle dans l'ouverture de quelques centimètres ou pouces à la fois.

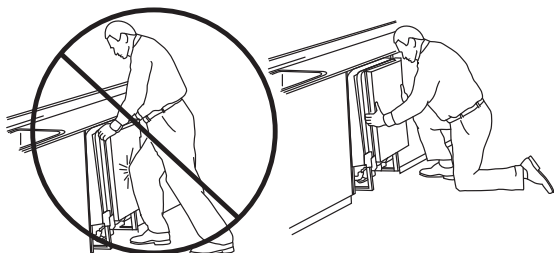


Figure Q Ne poussez pas sur le panneau avant de la porte avec votre genou. Vous risquez d'endommager le panneau de porte.

- Tirez sur le boyau de vidange et le cordon d'alimentation, s'il y a lieu, par les trous des armoires adjacentes au fur et à mesure. Arrêtez lorsque le lave-vaisselle dépasse le devant des armoires adjacentes d'environ 15 cm (6 po).
- Assurez-vous que le boyau de vidange n'est pas plié à l'arrière ou en dessous du lave-vaisselle.
- Assurez-vous que le câble électrique de la résidence, le boyau de vidange et la conduite d'eau n'entrent pas en contact avec des pièces sous le lave-vaisselle.

ÉTAPE 12 INSTALLATION DES MOULURES

Au cours de cette étape, vous aurez besoin des moulures mises de côté à l'étape 1.

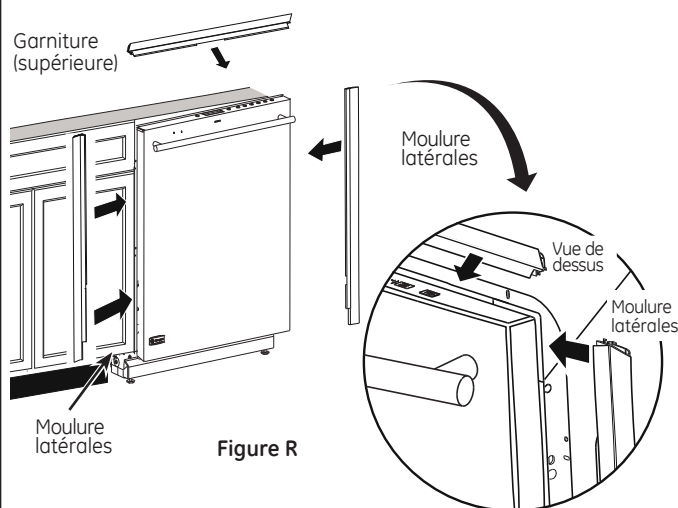


Figure R

- Prenez la garniture supérieure (voir la figure R) et centrez-la avec le loquet supérieur. Appuyez la garniture contre le support de gaine en la déplaçant de gauche à droite.
- Prenez la garniture gauche (voir la figure R). Alignez le bord supérieure de la garniture et appuyez-le contre le côté gauche du support de gaine en le déplaçant de haut en bas. Répétez cette étape pour le côté droit de la garniture. (Voir la figure R pour le côté droit de la garniture.)

ÉTAPE 13 INSTALLATION DES SUPPORTS DE MONTAGE

Vous aurez besoin des supports de montage et de deux (2) vis à tête hexagonale no 8 mises de côté à l'étape 1.

Vous devez poser les supports de montage sur le dessus ou les côtés du cadre de la cuve du lave-vaisselle avant de glisser le lave-vaisselle en place sous le comptoir. Ce lave-vaisselle est adapté à une installation complètement encastrable dans une ouverture de 61 cm (24 po) de profondeur. Les supports de montage possèdent plusieurs options de fixation afin de répondre à plusieurs types de constructions d'armoires.

Posez les supports de montage sur le dessus si le dessous du comptoir est en bois ou un matériau similaire qui accepte les vis :

IMPORTANT – Après installation des supports et avant de fermer la porte du lave-vaisselle, ajustez les supports en les pliant de façon à ce qu'ils ne soient pas en contact avec le haut de la porte du lave-vaisselle et ne causent pas de dommage.

Montage sur le dessus

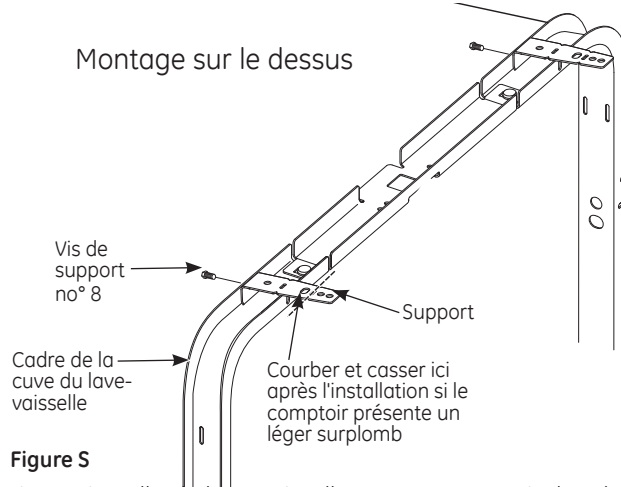


Figure S

- Si vous installez le lave-vaisselle sous un comptoir dont la profondeur est plus courte, il est possible que les supports pour le comptoir dépassent à l'avant du comptoir. Si c'est le cas, supprimez la longueur excédentaire en courbant à répétition les supports vis-à-vis de l'encoche avant seulement, jusqu'à la cassure.

Posez les supports de montage sur les côtés si le comptoir est en granite ou un matériau similaire qui n'accepte pas les vis à bois :

- Cassez la partie avant de la languette à l'aide de pince à l'endroit indiqué.
- Placez le support latéral gauche tel qu'indiqué. Faites de même avec le support droit.

Montage latéral

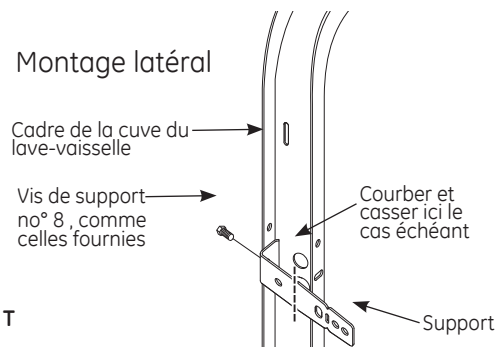


Figure T

Installation du lave-vaisselle

ÉTAPE 14 INSTALLATION DU LAVE-VAISSELLE DANS SON EMPLACEMENT DÉFINITIF

- Vérifiez l'isolant de la cuve, s'il y a lieu, pour vous assurer qu'il enveloppe complètement la cuve. L'isolant ne doit pas «retrousser» ou entrer en contact avec les ressorts de la porte. Si l'isolant est «déplacé» ou entre en contact avec les ressorts, remplacez-le correctement avant de faire glisser l'appareil dans son emplacement définitif.
- Faites glisser le lave-vaisselle dans son emplacement définitif en poussant sur les côtés du panneau de la porte. Ne poussez pas sur le centre du panneau avec votre genou. Vous pourriez endommager le panneau.

IMPORTANT – Avant d'ouvrir la porte du lave-vaisselle, assurez-vous que les bords du panneau de porte du lave-vaisselle sont en retrait par rapport au devant des armoires adjacentes, et non pas appuyés contre le devant des armoires. Reportez-vous à la Figure U. Si vous ouvrez la porte du lave-vaisselle et que le bord de la porte est appuyé contre le devant des armoires, vous pourriez endommager la porte du lave-vaisselle et les armoires.

- Ouvrez et fermez la porte du lave-vaisselle pour vous assurer qu'elle fonctionne correctement et qu'elle ne frotte pas contre les armoires adjacentes.

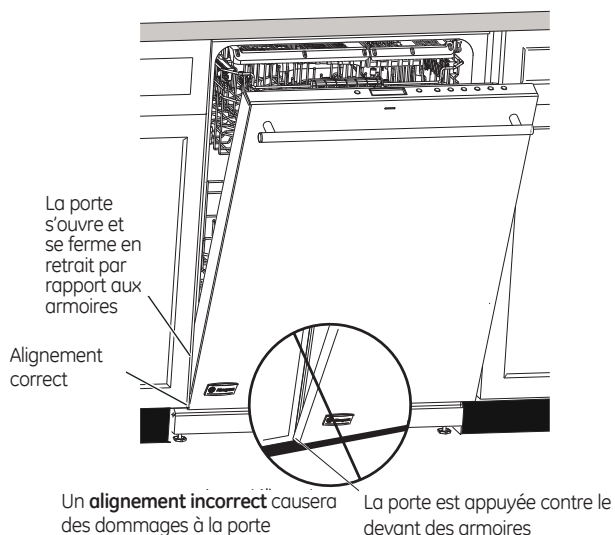


Figure U

Conseil: Pour éviter des frais de réparation inutiles pour des dommages au panneau avant ou un problème d'efficacité de lavage.

Vérifiez l'alignement du lave-vaisselle avant d'ouvrir la porte afin de prévenir tout dommage au panneau de la porte.

Assurez-vous que la conduite d'eau et le câble électrique ne sont pas coincés ou écrasés à l'arrière du lave-vaisselle. Une conduite écrasée réduit le débit d'eau.

ÉTAPE 15 MISE DE NIVEAU DU LAVE-VAISSELLE

IMPORTANT – Le lave-vaisselle doit être de niveau pour assurer le bon fonctionnement des paniers et de la porte du lave-vaisselle et obtenir une bonne efficacité de lavage. Le lave-vaisselle doit être mis de niveau de gauche à droite, et de l'avant vers l'arrière. De cette façon, les paniers de l'appareil ne rentreront pas ou ne sortiront pas tout seuls, l'eau circulera correctement vers l'orifice d'entrée de la pompe et la porte se fermera sans frotter sur les côtés de la cuve.

- Enlevez le panier inférieur et placez un niveau sur la porte et sur le rail du panier inférieur, comme indiqué à la Figure V.
- La hauteur des roues est réglée depuis le devant du lave-vaisselle avec les deux pattes avant situées au bas du lave-vaisselle. Tournez individuellement les 2 pattes et les 2 boulons avant. Commencez la

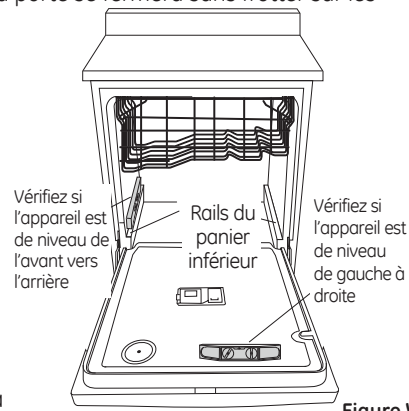
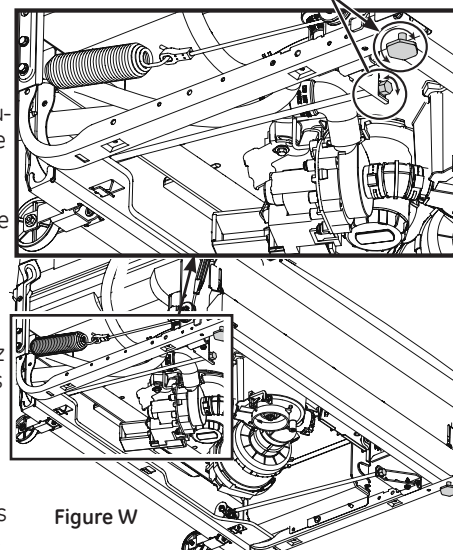


Figure V

- procédure de nivelage par les pattes avant en tournant chacune d'elle. En réglant d'abord les pattes avant, l'accès aux boulons de réglage arrière est plus facile afin de faciliter le réglage des roues arrière. Lorsque les pattes avant sont nivelées à la hauteur appropriée selon l'espace supérieur de l'armoire, vous pouvez maintenant niveler les boulons de réglage arrière et les roues. Tournez individuellement les 2 boulons afin de régler les roues arrière. Tournez lente-



ment les deux boulons **dans le sens inverse des aiguilles d'une montre pour remonter le lave-vaisselle, et dans le sens des aiguilles d'une montre pour l'abaisser.** Continuez cette procédure jusqu'à ce que les pattes et les roues du lave-vaisselle soient à niveau, comme illustré à la Figure W.

- Le lave-vaisselle est correctement de niveau lorsque l'indicateur de niveau est centré de gauche à droite et de l'avant vers l'arrière. La porte du lave-vaisselle devrait se fermer sans frotter contre les côtés de la cuve.
- Remettez en place le panier inférieur.
- Tirez chaque panier hors du lave-vaisselle jusqu'à la i-course. Assurez-vous que le panier ne roulera pas vers l'arrière ou vers la porte. Si le panier se déplace, ajustez les pattes de réglages.

Conseil: Pour éviter des frais de réparation inutiles, vérifiez si le lave-vaisselle est de niveau.

Sortez les paniers à moitié. Ils doivent demeurer immobiles. Ouvrez et fermez la porte. La porte doit être bien ajustée à l'ouverture de la cuve sans frotter sur les côtés. Si les paniers rentrent ou sortent tout seuls ou si la porte frotte contre les côtés de la cuve, remettez le lave-vaisselle de niveau.

Installation du lave-vaisselle

ÉTAPE 16 FIXATION DU LAVE-VAISSELLE AU-DESSOUS DU COMPTOIR OU AUX CÔTÉS DES ARMOIRES

Au cours de cette étape, vous aurez besoin des deux vis à tête spéciale Phillips mises de côté à l'étape 1.

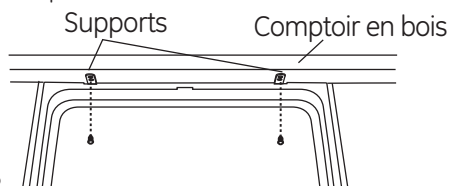
Le lave-vaisselle doit être fixé au dessous du comptoir ou aux côtés des armoires. Lorsque le dessous du comptoir est en bois, utilisez la méthode n° 1. Lorsque le dessous du comptoir est fabriqué à l'aide d'un matériau qui n'accepte pas les vis à bois, par exemple en granite, utilisez la méthode n° 2.

IMPORTANT – Pour éviter tout dommage au panneau de la porte et au tableau de commande, il faut que le lave-vaisselle soit installé de manière que le panneau avant et le tableau de commande n'entrent pas en contact avec les armoires adjacentes ou le comptoir. Vissez les vis complètement et bien droites. Les têtes de vis qui dépassent pourraient égratigner le panneau de porte ou le tableau de commande et créer de l'interférence lors de l'ouverture de la porte.

Méthode n° 1

Fixation du lave-vaisselle au dessous d'un comptoir en bois.

- Revérifiez l'alignement du lave-vaisselle dans l'ouverture des armoires. Reportez-vous aux étapes 14 et 15. Le panneau de porte et/ou le tableau de commande ne doivent pas entrer en contact avec les armoires ou le comptoir.
- Fixez le lave-vaisselle au dessous du comptoir à l'aide des deux vis à tête spéciale Phillips. Reportez-vous à la figure. Assurez-vous de visser complètement les vis bien droites afin que les têtes soient affleurantes pour ne pas endommager le panneau.

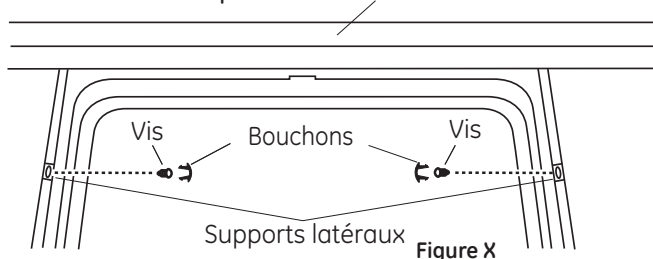


Méthode n° 2

Fixation du lave-vaisselle aux côtés des armoires.

- Revérifiez l'alignement du lave-vaisselle dans l'ouverture des armoires. Reportez-vous aux étapes 14 et 15. Le panneau de porte et/ou le tableau de commande ne doivent pas entrer en contact avec les armoires ou le comptoir.
- Retirez les bouchons. Conservez-les.
- Fixez le lave-vaisselle au dessous du comptoir à l'aide des deux vis à tête spéciale Phillips. Reportez-vous à la Figure X. Assurez-vous de visser complètement les vis bien droites afin que les têtes soient affleurantes pour ne pas endommager le panneau.
- Installez les boutons de bouchon sur le côté de la cuve dans les trous prévus à cet effet.

Comptoir de surface solide



ÉTAPE 17 RACCORDEMENT DE L'ALIMENTATION EN EAU

Raccordez la conduite d'alimentation en eau au coude de 90°.

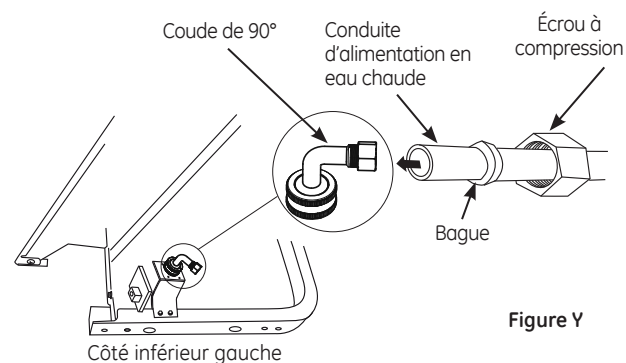
Si vous décidez de faire le raccordement avec un boyau flexible tressé :

- Fixez le coude de 90° avec une clé à molette

Si vous décidez de faire le raccordement avec un tuyau en cuivre :

- Glissez l'écrou à compression puis la bague d'extrémité à l'extrémité de la conduite d'alimentation en eau.
- Insérez la conduite d'alimentation en eau dans le coude de 90°.
- Glissez la bague d'extrémité contre le coude et fixez avec l'écrou à compression.

IMPORTANT – Assurez-vous que les ressorts et/ou les câbles des ressorts de la porte n'entrent pas en contact avec le boyau de remplissage ou la conduite d'alimentation en eau. Pour vérifier, ouvrez et refermez la porte. Déplacez la conduite d'alimentation en eau ou pliez légèrement le support de l'électrovanne si vous entendez un bruit de frottement ou s'il y a de l'interférence lors de l'ouverture de la porte.



Installation du lave-vaisselle

ÉTAPE 18 RACCORDEMENT DU BOYAU DE VIDANGE

L'extrémité moulée du boyau de vidange est conçue pour s'installer sur l'orifice d'entrée d'un diamètre variant entre 15,8 mm (5/8 po) et 25,4 mm (1 po) de la coupure anti-refoulement, du raccord en T ou du broyeur à déchets.

- Mesurez le diamètre de l'orifice d'entrée.
- Coupez le raccord du boyau de vidange à l'endroit indiqué, au besoin, pour qu'il soit bien adapté à l'orifice d'entrée.

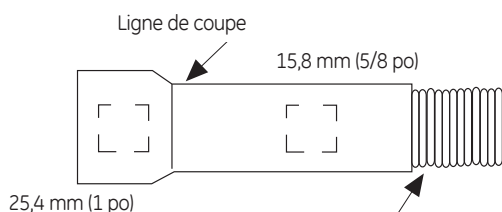


Figure Z IMPORTANT: Ne coupez pas la partie ondulée du boyau

- Si vous avez besoin d'un boyau de vidange plus long mais n'avez pas acheté le boyau de vidange **GPF12** or **WD24X10065**, ajoutez au boyau de vidange installé à l'usine une longueur maximale de 167,64 cm (66 po) pour une longueur totale de 3,66 mètres (144 po). Pour ce faire, utilisez un boyau dont le diamètre intérieur est de 15,8 mm (5/8 po) ou de 21,7 mm (7/8 po) et un raccord pour relier l'extrémité des deux boyaux. Fixez le raccord à l'aide de colliers.

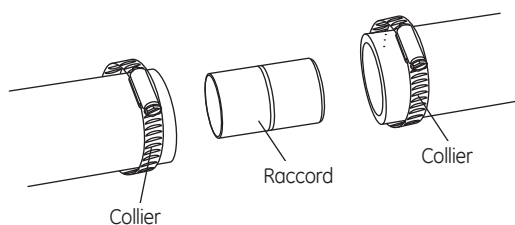
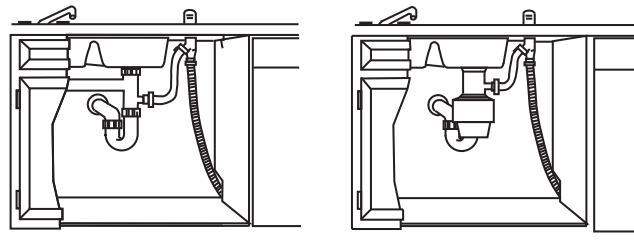


Figure AA

REMARQUE: POUR UNE VIDANGE ADÉQUATE DE L'APPAREIL, LA LONGUEUR TOTALE DU BOYAU DE VIDANGE NE DOIT PAS DÉPASSER 4,57 MÈTRES (15 PIEDS).

- Branchez le boyau de vidange à la coupure anti-refoulement, au raccord en T ou au broyeur à déchets à l'aide de la méthode choisie précédemment. Fixez solidement le boyau à l'aide d'un collier à vis sans fin.

Méthode n° 1 – Coupure anti-refoulement avec raccord en T ou broyeur à déchets



Installation avec raccord en T

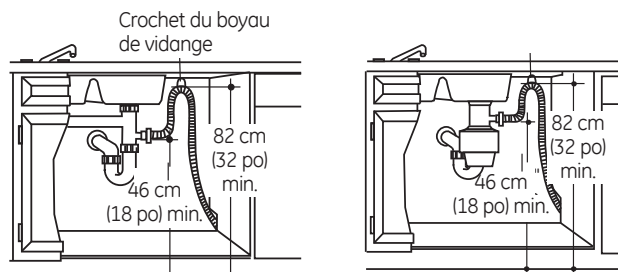
Installation avec broyeur à déchets

Figure AB

Méthode n° 2 – Boucle de vidange élevée avec raccord en T ou broyeur à déchets

Pour cette méthode, vous aurez besoin du crochet pour boyau de vidange mis de côté à l'étape 1.

Fixez le boyau de vidange au-dessous du comptoir à l'aide du crochet fourni.



Installation avec raccord en T

Installation avec broyeur à déchets

Figure AC

IMPORTANT – Lorsque vous raccordez le boyau de vidange à un broyeur à déchets, assurez-vous d'enlever le bouchon de vidange. LE LAVE-VAISSELLE NE SE VIDERA PAS SI LE BOUCHON EST LAISSÉ EN PLACE.



Enlevez le bouchon de vidange

Conseil: Pour éviter les frais de réparation inutiles pour un problème de vidange.

Tirez sur le boyau de vidange par l'ouverture pratiquée dans les armoires afin d'empêcher le lave-vaisselle d'écraser ou de plier une longueur excessive de boyau.

Installation du lave-vaisselle

ÉTAPE 19 BRANCHEMENT DE L'ALIMENTATION ÉLECTRIQUE

Si un cordon d'alimentation pourvu d'une fiche est déjà installé sur l'appareil, passez à l'étape 20.

⚠ AVERTISSEMENT :

Si le câblage électrique de la résidence n'est pas constitué de deux fils plus un fil de mise à la terre, l'installateur doit installer un fil de mise à la terre. Si le câblage électrique de la résidence est en aluminium, utilisez un agent antioxydant et des connecteurs pour raccords «aluminium-cuivre» homologués UL.

Au cours de cette étape, vous aurez besoin du couvercle de la boîte de jonction et de la vis à tête hexagonale n° 10, mis de côté à l'étape 1.

- Fixez le câblage de la résidence à l'arrière de la boîte de jonction à l'aide d'une bague anti-traction.
- Repérez les trois (3) fils du lave-vaisselle, (blanc, noir et vert) avec les bouts dénudés dépassant des cavaliers CA. Utilisez les capuchons de connexion homologués UL de taille appropriée pour connecter le fil de terre arrivant au fil vert, le blanc au blanc et le noir au noir.
- Installez le couvercle de la boîte de jonction à l'aide de la vis à tête hexagonale n° 10. Assurez-vous que les fils ne sont pas coincés sous le couvercle.
- Assurez-vous que le couvercle de la boîte de jonction repose sur le support de montage.
- Si vous utilisez une trousse pour cordon d'alimentation, veuillez consulter les instructions fournies avec la trousse.

REMARQUE : N'enlevez pas le support de la boîte de jonction

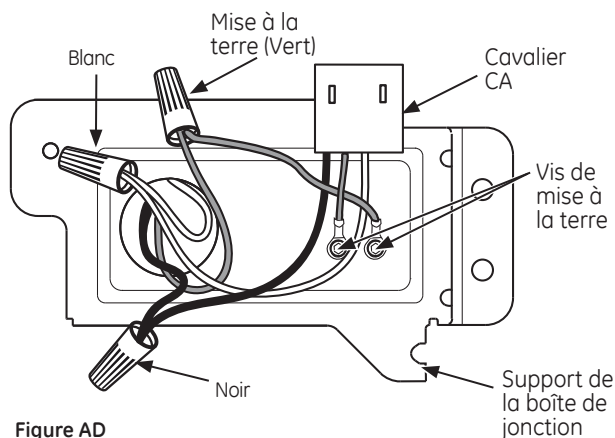


Figure AD

ÉTAPE 20 LISTE DE CONTRÔLE PRÉLIMINAIRE

Passez en revue cette liste après l'installation de votre lave-vaisselle pour éviter des frais de réparation inutiles non couverts par votre garantie.

- Assurez-vous que le courant électrique est coupé à la source.
- Ouvrez la porte du lave-vaisselle et enlevez tout le matériel d'emballage en carton et en mousse.
- Prenez le Manuel d'utilisation mis de côté à l'étape 1.
- Veuillez lire le Manuel d'utilisation pour vous familiariser avec le fonctionnement de l'appareil.
- Vérifiez l'ouverture et la fermeture de la porte. Si la porte n'ouvre pas et ne se ferme pas librement, vérifiez si le câble du ressort est installé sur la poulie. Si la porte s'ouvre complètement ou se ferme lorsque vous la relâchez, réglez la tension du ressort. Reportez-vous à l'étape 2.
- Assurez-vous que le câblage électrique est bien placé sous le lave-vaisselle, qu'il n'est pas coincé ou qu'il n'entre pas en contact avec les ressorts de la porte ou d'autres pièces de l'appareil. Reportez-vous à l'étape 19.
- Vérifiez si la porte est bien parallèle par rapport à la cuve. Si la porte frotte sur la cuve, mettez le lave-vaisselle de niveau. Reportez-vous aux étapes 15.
- Vérifiez si la porte du lave-vaisselle est bien parallèle par rapport aux armoires. Si la porte frotte contre les armoires, repositionnez le lave-vaisselle. Reportez-vous à l'étape 14.
- Assurez-vous que les ressorts de la porte n'entrent pas en contact avec la conduite d'alimentation, le boyau de remplissage, le câblage électrique ou toute autre pièce de l'appareil. Reportez-vous à l'étape 14.
- Assurez-vous que la conduite d'alimentation en eau et le boyau de vidange ne sont pas pliés ou n'entrent pas en contact avec d'autres pièces. Tout contact avec le moteur ou le cadre du lave-vaisselle pourrait provoquer l'apparition de bruits.
- Ouvrez le robinet d'eau chaude de l'évier et vérifiez si la température de l'eau varie entre 49 °C (120 °F) et 60 °C (140 °F). La température de l'eau doit être d'au moins 49 °C (120 °F) pour assurer une efficacité de lavage optimale. Reportez-vous à la section «Préparation de l'alimentation en eau chaude» à la page 5.
- Versez 1 litre d'eau dans le fond du lave-vaisselle pour lubrifier le joint de la pompe.
- Ouvrez l'alimentation en eau chaude. Vérifiez s'il y a des fuites. Serrez les raccords au besoin.
- Enlevez la pellicule protectrice, s'il y a lieu, sur le tableau de commande et la porte.

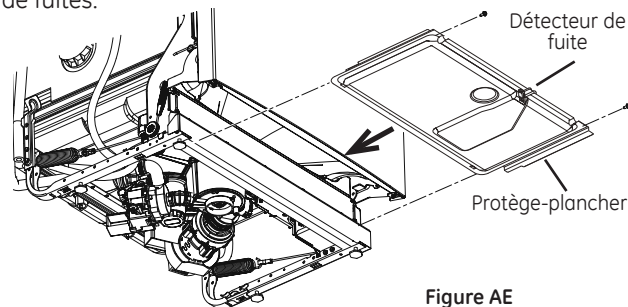
Installation du lave-vaisselle

ÉTAPE 21 ESSAI DU LAVE-VAISSELLE AVEC DE L'EAU

- Rétablissez l'alimentation électrique ou si l'appareil est doté d'un cordon d'alimentation, branchez-le dans la prise de courant murale.
- Sélectionnez un cycle à exécuter et pressez la touche **START** (Démarrer).
- Vérifiez que la porte est verrouillée. Le lave-vaisselle devrait démarrer.
- Assurez-vous que le lave-vaisselle se remplit. Si le lave-vaisselle ne se remplit pas d'eau, vérifiez si le robinet de la conduite est ouvert et si le lave-vaisselle est sous tension.
- Vérifiez s'il y a des fuites sous le lave-vaisselle. Si tel est le cas, coupez l'alimentation électrique en déclenchant le disjoncteur, serrez les raccords, puis rétablissez le courant.
- Vérifiez s'il y a des fuites autour de la porte. Ces fuites peuvent être causées par le frottement de la porte du lave-vaisselle contre les armoires adjacentes. Repositionnez le lave-vaisselle au besoin. Reportez-vous à l'étape 14.
- Maintenez enfoncée la touche **START** (Démarrer) durant 3 secondes pour annuler le cycle. L'appareil commencera à se vidanger. Vérifiez le boyau de vidange. S'il présente des fuites, coupez l'alimentation électrique en déclenchant le disjoncteur et corrigez le problème de plomberie, au besoin. Rétablissez le courant après avoir colmaté la fuite. Reportez-vous aux étapes 8, 10, 11 et 18.
- Ouvrez la porte du lave-vaisselle et assurez-vous que la majeure partie de l'eau a été vidangée. Si l'appareil ne s'est pas vidé, assurez-vous que le bouchon de vidange du broyeur à déchets a été enlevé et/ou que la coupure anti-refoulement est exempte de débris. Vérifiez également le boyau de vidange pour vous assurer qu'il n'est pas coincé en dessous ou à l'arrière du lave-vaisselle. Reportez-vous à l'étape 17.
- Appuyez sur la touche **START** (Démarrer) une fois de plus et lancez le lave-vaisselle dans un autre cycle. Vérifiez l'absence de fuites et apportez des correctifs si nécessaire.
- Répétez cette étape si nécessaire.

ÉTAPE 22 INSTALLATION DU PROTÈGE-PLANCHER

- Faites glisser le protège-plancher sous le lave-vaisselle.
- Angle the rear back edge of the Floor Protect upwards to engage mounting tabs.
- Soulevez le devant du plateau et sécurisez avec les 2 vis.
- Branchez le connecteur du détecteur de fuites au détecteur de fuites.



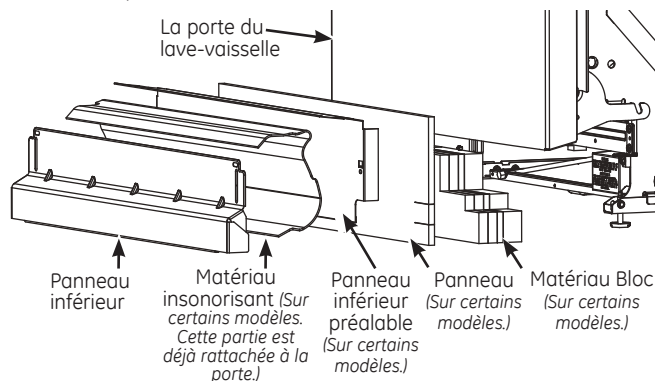
⚠ AVERTISSEMENT :

Lors de la réinstallation du protège-plancher, assurez-vous que les vis ont été serrées à fond. L'appareil et le protège-plancher seront ainsi correctement mis à la terre.

ÉTAPE 23 Installation du matériau isolant, du panneau inférieur préalable et du matériau insonorisant.(sur certains modèles)

Sautez cette étape si votre lave-vaisselle ne comprend pas d'ensemble d'insonorisation.

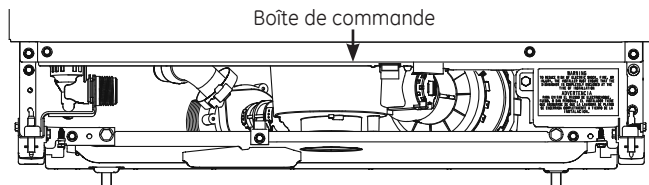
- Situez l'ensemble d'insonorisation et l'ensemble du panneau inférieur préalable à l'intérieur du lave-vaisselle.
- Repérez l'emballage du matériau isolant à l'intérieur du lave-vaisselle.
- Placer les pièces à la verticale comme illustré.



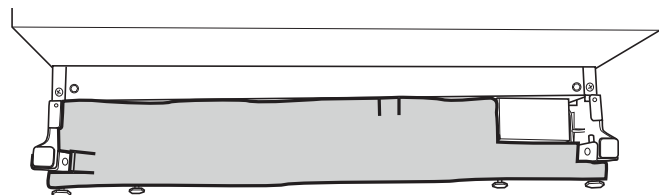
Installation du lave-vaisselle

ÉTAPE 23 Installation du matériau isolant, du panneau inférieur préalable et du matériau insonorisant. (sur certains modèles) (SUITE)

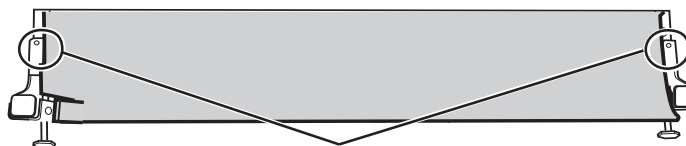
- Repérer la boîte de commande.



- Pousser le matériau la partie du bloc sous le lave-vaisselle jusqu'à ce se trouve sous la boîte de commande.

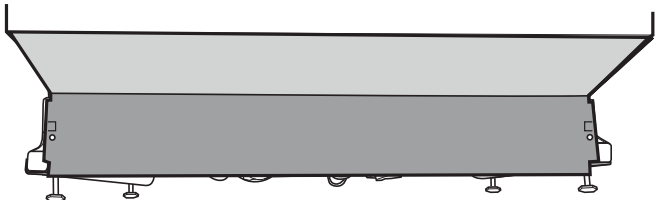


- Poussez la partie panneau sur le devant du bloc.

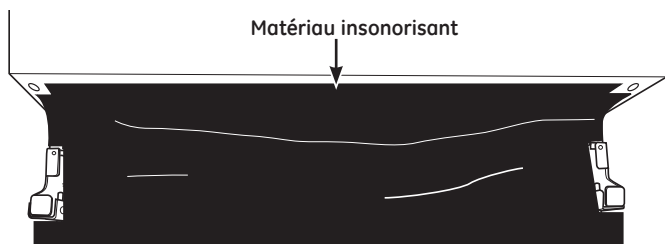


Pousser les côtés du matériau insonorisant derrière les trous de vis de fixation du coup-de-pied.

- Rentrer les côtés du panneau frontal derrière les trous de vis de fixation du coup-de-pied.
- Ouvrir la porte complètement ; si elle ne reste pas totalement ouverte, ajuster le panneau d'isolant.
- Pour les modèles concernés, placez le panneau inférieur préalable par-dessous le matériau isolant. Alignez les trous de vis avec les trous de vis situés sur les pieds de nivellement de l'appareil.



- Pour les modèles concernés, retirez le ruban-cache du matériau insonorisant et de panneau frontal. Placez le matériau par-dessus le matériau isolant.



ÉTAPE 24 RÉINSTALLATION DU PANNEAU INFÉRIEUR

- Appuyez le panneau inférieur contre les pieds de nivellement du lave-vaisselle.

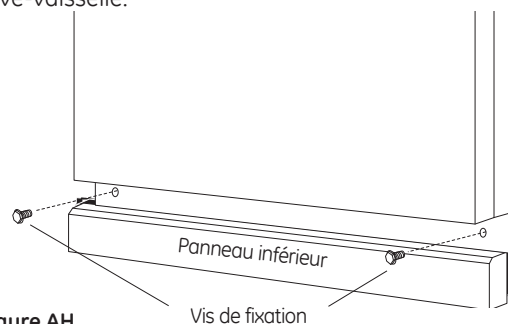


Figure AH

- Alignez le panneau inférieur par rapport au bas de la porte et assurez-vous qu'il repose sur le plancher.
- Insérez et serrez les deux vis de fixation du panneau inférieur. Le panneau inférieur doit demeurer en contact avec le plancher.
- Lorsque vous réinstallez le panneau inférieur sur les modèles avec écran acoustique, assurez-vous que le bord inférieur de la bande de caoutchouc est à niveau avec le sol. Tout excès de matériau doit être regroupé derrière la porte extérieure. Ne laissez aucun excès de bande de caoutchouc toucher le sol. L'excès de matériau qui n'est pas complètement regroupé derrière la porte extérieure se coincera entre la porte et le panneau inférieur et nuira à l'ouverture et à la fermeture de la porte. Ceci se remarque facilement parce que la porte ne restera pas entièrement ouverte et rebondira.

Conseil: Pour atténuer le bruit provenant du dessous du lave-vaisselle. Assurez-vous que le panneau inférieur repose sur le plancher.

ÉTAPE 25 DOCUMENTATION

- Laissez le Manuel d'utilisation, les directives d'installation, les échantillons et(ou) les bons au consommateur.

NOTE: En exécutant les installations décrites dans ce livret, il faut porter des lunettes de sécurité.

Pour un service local Monogram® Idans votre région, appeler le 1.800.444.1845.

NOTE: Chez General Electric, nous nous efforçons continuellement d'améliorer les produits. Par conséquent, les matériaux, l'aspect et les caractéristiques sont assujettis à des changements sans préavis.



GE Consumer & Industrial
Appliances
General Electric Company
Louisville, KY 40225
Monogram.com