

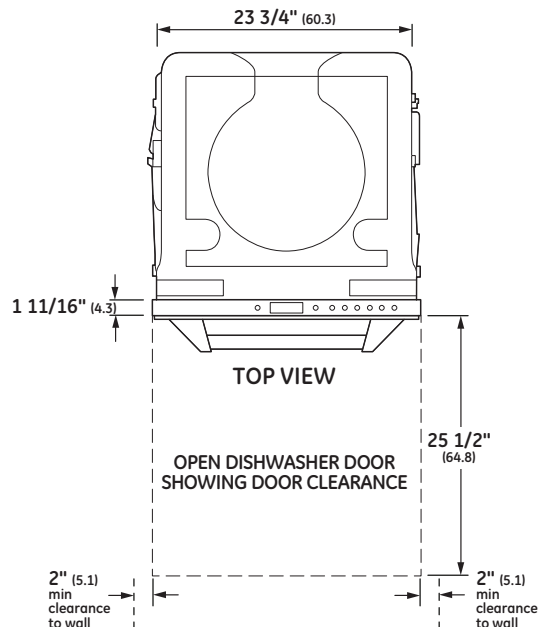
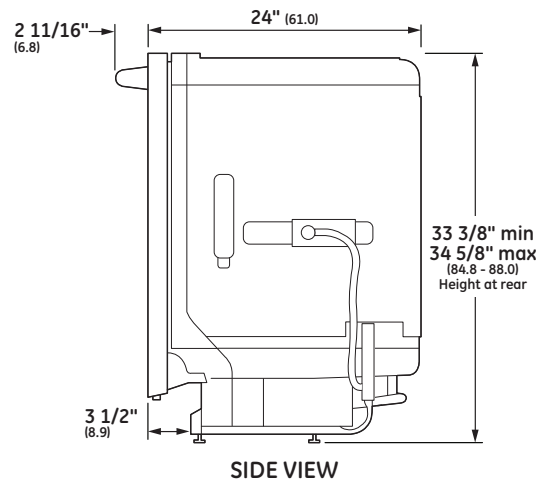
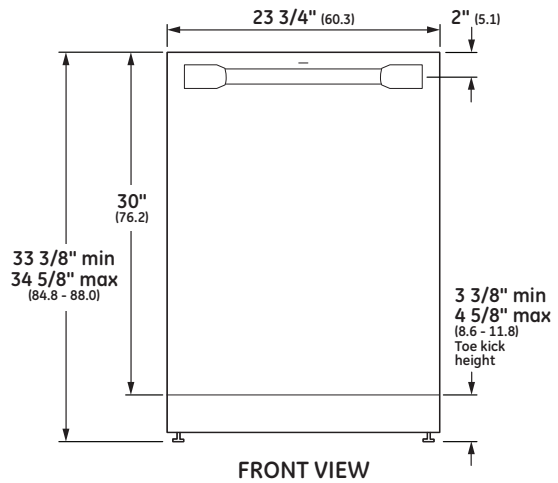


Subject to change

SPECIFICATIONS

Overall Width	23 3/4" (60.3 cm)
Overall Height	33 3/8" (84.8 cm) Min 34 5/8" (88.0 cm) Max
Overall Depth	24" (61 cm)
Door Clearance	25 1/2" (64.8 cm)
Overall Dishwasher Capacity	16 Place Settings
Minimum Cabinet Width	24" (61 cm)
Minimum Cabinet Depth	24" (61 cm)
Cutout Width	24" (61 cm)
Cutout Height	33 1/2" (85.1 cm) Min 34 3/4" (88.3 cm) Max
Electrical Requirements	10.2 A
Hose Length	No more than 12' (3.7 m)
Voltz/Hertz/Amps	115 V, 60 Hz, 15 or 20 amp circuit
Shipping Weight	139 lb (63 kg)

OVERALL DIMENSIONS

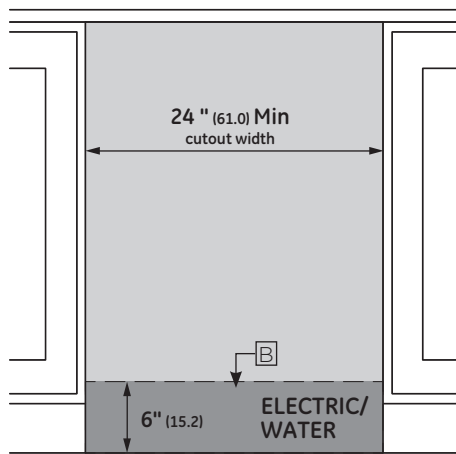
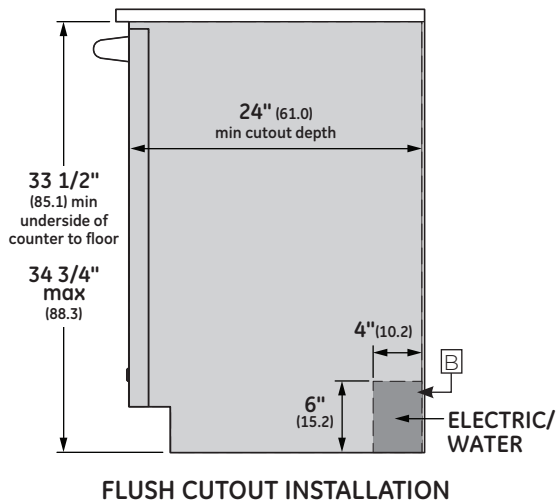


Dimensions in parentheses are in centimeters unless otherwise noted.

ELEVATE EVERYTHING™



INSTALLATION



NOTES

- Ⓐ The dishwasher drain hose must be no more than 12 feet in length for proper drainage.
- Ⓑ Electrical connections are at the right front of the dishwasher and water connections are on the left. The hot water line should extend forward 30" to 40" from the rear wall. The electrical must extend forward at least 24" to reach the junction box.
- Ⓒ To prevent siphoning, an air gap or high drain loop must be used.

ELEVATE EVERYTHING™



## FEATURES AND BENEFITS

**THE MONOGRAM STATEMENT COLLECTION**  
Edge-to-edge handles, polished stainless steel, and hand-finished edges convey a sense of solidity and beauty

**ADVANCED WASH SYSTEM**  
Designed to achieve the ultimate clean, this advanced wash system with over 90 powerful jets delivers complete washing coverage to every corner of the dishwasher

**FULL-EXTENSION, ADJUSTABLE THIRD RACK WITH PREMIUM SLIDES**  
Convenient and adjustable, this expansive third rack easily accommodates an entire flatware collection, plus carving knives, soup ladles and other cooking/serving tools for the ultimate clean

**39 DBA QUIET OPERATION**  
Is made possible by advancing sound-absorbing materials and a smooth-running motor

**HARD FOOD DISPOSER**  
Designed to maintain a kitchen's cleanliness and efficiency, the hard food disposer with stainless steel blades grinds food into tiny particles that wash away with ease

**DEEP CLEAN SILVERWARE JETS**  
Powerful jets blast away stuck-on food for silverware that's always spotless

**BOTTLE JETS**  
Hard-to-reach areas inside tall items get completely clean with four dedicated jets integrated into the upper rack that shower water deep inside for the ultimate clean

**LED LIGHTING**  
Illuminates the entire interior, leaving no question as to whether or not dishes have been cleaned

**MAX DRY SYSTEM**  
This precise and efficient drying system delivers beautifully dry dishes every time and is perfect for hard-to-dry items like your favorite champagne flutes

**FLUSH INSTALLATION CAPABILITY**  
Enables the dishwasher to be installed flush, even with inset cabinetry, without any additional parts



Subject to change



Residential

ELEVATE EVERYTHING™

**MONOGRAM**