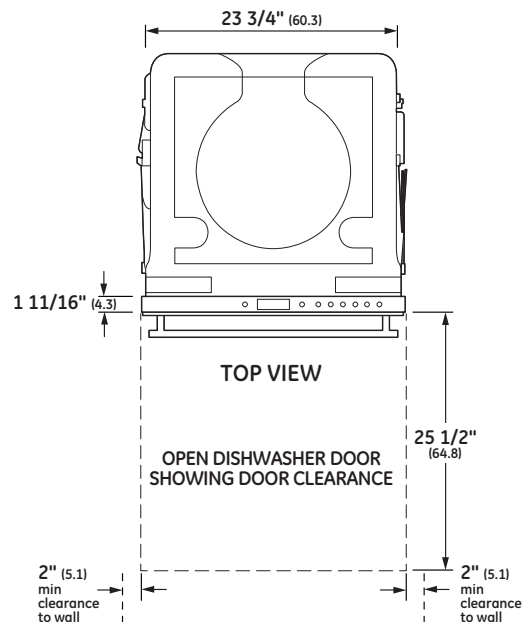
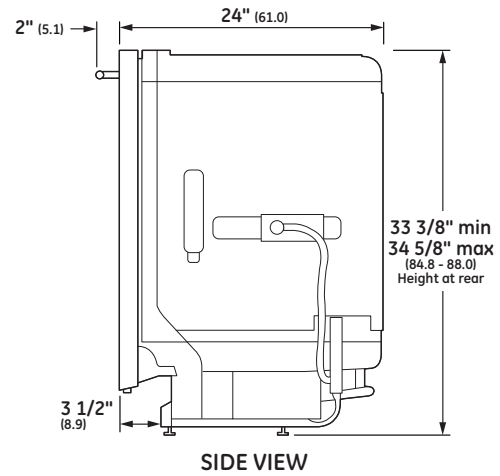
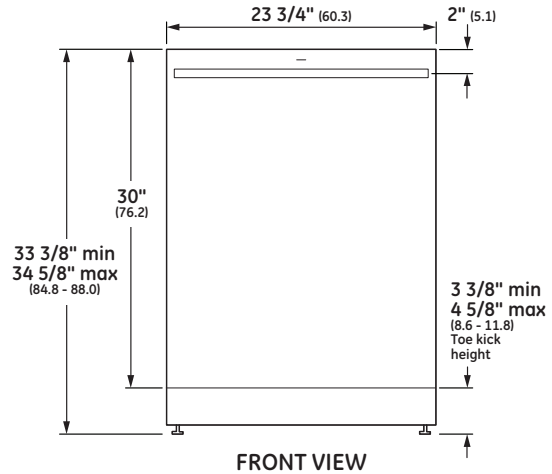




OVERALL DIMENSIONS



SPECIFICATIONS

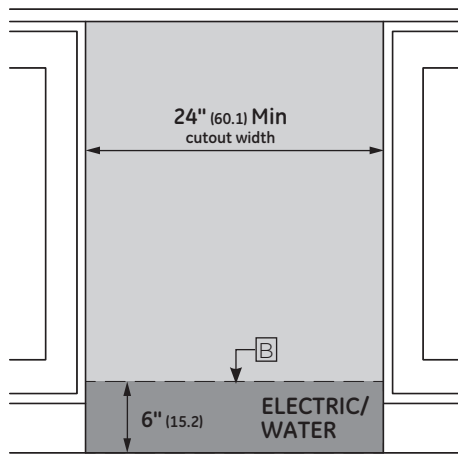
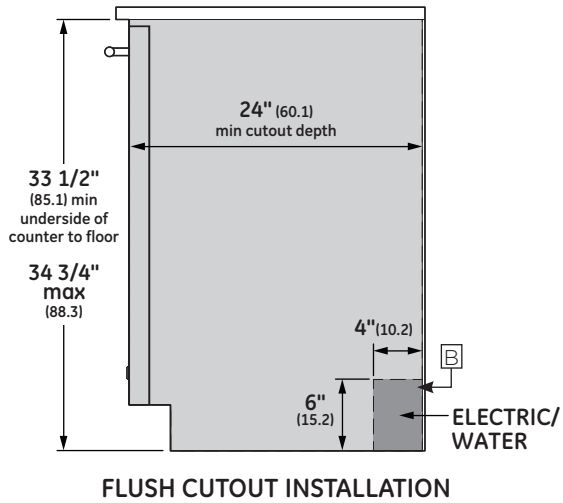
| | |
|-----------------------------|--|
| Overall Width | 23 3/4" (60.3 cm) |
| Overall Height | 33 3/8" (84.8 cm) Min 34 5/8" (88.0 cm) Max |
| Overall Depth | 24" (61 cm) |
| Door Clearance | 25 1/2" (64.8 cm) |
| Overall Dishwasher Capacity | 16 Place Settings |
| Minimum Cabinet Width | 24" (61 cm) |
| Minimum Cabinet Depth | 24" (61 cm) |
| Cutout Width | 24" (61 cm) |
| Cutout Height | 33 1/2" (85.1 cm) Min 34 3/4" (88.3 cm) Max |
| Electrical Requirements | 10.2 A |
| Hose Length | No more than 12' (3.7 m) |
| Voltz/Hertz/Amps | 115 V, 60 Hz, 15 or 20 amp circuit |
| Shipping Weight | 139 lb (63 kg) |

Dimensions in parentheses are in centimeters unless otherwise noted.

ELEVATE EVERYTHING™



INSTALLATION



NOTES

- Ⓐ The dishwasher drain hose must be no more than 12 feet in length for proper drainage.
- Ⓑ Electrical connections are at the right front of the dishwasher and water connections are on the left. The hot water line should extend forward 30" to 40" from the rear wall. The electrical must extend forward at least 24" to reach the junction box.
- Ⓒ To prevent siphoning, an air gap or high drain loop must be used.

FEATURES AND BENEFITS

THE MONOGRAM MINIMALIST COLLECTION

Streamlined design and precisely machined metals create a contemporary yet functional aesthetic

ADVANCED WASH SYSTEM

Designed to achieve the ultimate clean, this advanced wash system with over 90 powerful jets delivers complete washing coverage to every corner of the dishwasher

FULL-EXTENSION, ADJUSTABLE THIRD RACK WITH PREMIUM SLIDES

Convenient and adjustable, this expansive third rack easily accommodates an entire flatware collection, plus carving knives, soup ladles and other cooking/serving tools for the ultimate clean

39 DBA QUIET OPERATION

Is made possible by advancing sound-absorbing materials and a smooth-running motor

HARD FOOD DISPOSER

Designed to maintain a kitchen's cleanliness and efficiency, the hard food disposer with stainless steel blades grinds food into tiny particles that wash away with ease

DEEP CLEAN SILVERWARE JETS

Powerful jets blast away stuck-on food for silverware that's always spotless

BOTTLE JETS

Hard-to-reach areas inside tall items get completely clean with four dedicated jets integrated into the upper rack that shower water deep inside for the ultimate clean

LED LIGHTING

Illuminates the entire interior, leaving no question as to whether or not dishes have been cleaned

MAX DRY SYSTEM

This precise and efficient drying system delivers beautifully dry dishes every time and is perfect for hard-to-dry items like your favorite champagne flutes

FLUSH INSTALLATION CAPABILITY

Enables the dishwasher to be installed flush, even with inset cabinetry, without any additional parts



Subject to change



Residential

ELEVATE EVERYTHING™

MONOGRAM