

Installation Instructions

Indoor Hearth Oven ZEP30

If you have questions, call GE Appliances at 800.GE.CARES (800.432.2737) or visit our website at: GEAppliances.com.

BEFORE YOU BEGIN

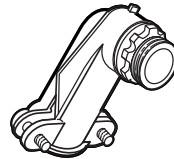
Read these instructions carefully and completely.

- **IMPORTANT** — Save these instructions for local inspector's use.
- **IMPORTANT** — Observe all governing codes and ordinances.
- **Note to Installer** – Be sure to leave these instructions with the consumer.
- **Note to Consumer** – Keep these instructions for future reference.
- Proper installation is the responsibility of the installer and product failure due to improper installation is NOT covered under warranty.
- **Note** – This appliance must be properly grounded.

ATTENTION INSTALLER

All electric wall ovens must be hard wired (direct wired) into an approved junction box. A plug and receptacle is NOT permitted on these products.

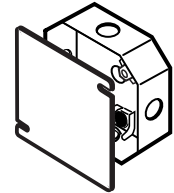
MATERIALS NEEDED



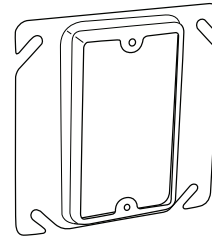
Option 1



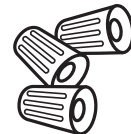
Option 2



Junction Box
(1 1/2 Depth Max.)



Plaster Ring
(Option 1)



Wire Nuts

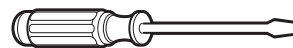
TOOLS NEEDED



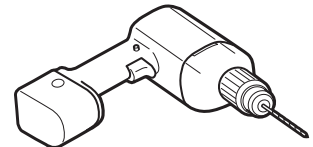
Wire Strippers



Phillips #2
Screwdriver

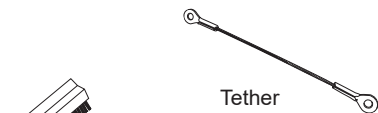


Flathead
Screwdriver



Drill and 3/32" drill bit

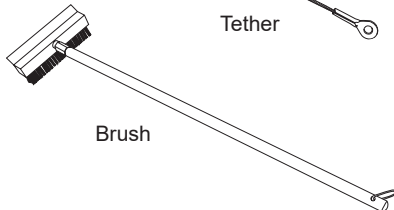
PARTS INCLUDED (Appearance will vary)



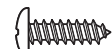
Tether



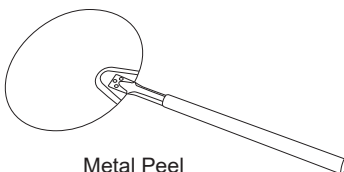
1" Drywall Screw



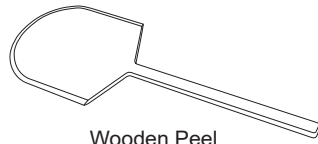
Brush



5/8" Phillips
Case Screw

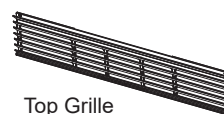


Metal Peel



Wooden Peel

TRIM KIT PARTS (Included with ZEP30F)



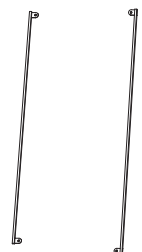
Top Grille



Bottom Grille



3/4" Phillips
Screws (4)



Side Trim

Installation Instructions

IMPORTANT SAFETY INSTRUCTIONS

FOR YOUR SAFETY

- Be sure your oven is installed properly by a qualified installer or service technician.
- Be sure the oven is securely installed in a cabinet that is firmly attached to the house structure. Never allow anyone to climb, sit, stand or hang on the oven.
- Make sure the cabinets and wall coverings around the oven can withstand the temperatures (up to 200°F [93.3°C]) generated by the oven.

⚠ WARNING The electrical power to the oven supply line must be shut off while line connections are being made. Failure to do so could result in serious injury or death.

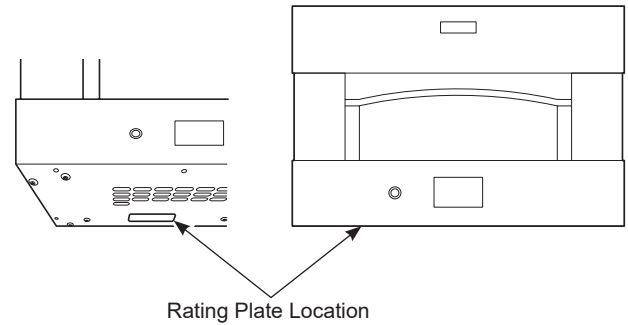
ELECTRICAL REQUIREMENTS

This appliance must be supplied with the proper voltage and frequency, and connected to an individual, properly grounded branch circuit, protected by a circuit breaker or fuse. See the rating plate located on the bottom of the front panel to determine the rating of the product. The chart below shows the minimum recommended dedicated circuit protection.

KW Rating 240V	KW Rating 208V	Required Circuit Size (Dedicated)
9.7 KW–12.0 KW	8.4 KW–10.4 KW	50 Amp

ELECTRICAL REQUIREMENTS

Rating plate is located on the bottom of the front panel.



We recommend you have the electrical wiring and hookup of your oven connected by a qualified electrician. After installation, have the electrician show you how to disconnect power from the range.

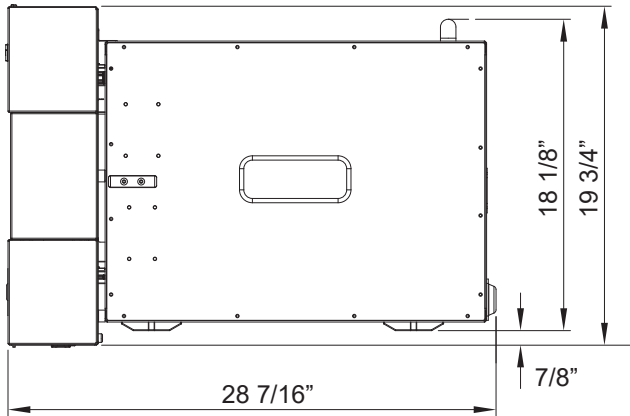
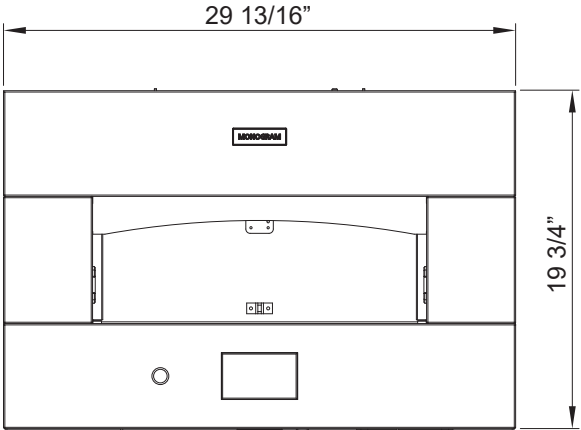
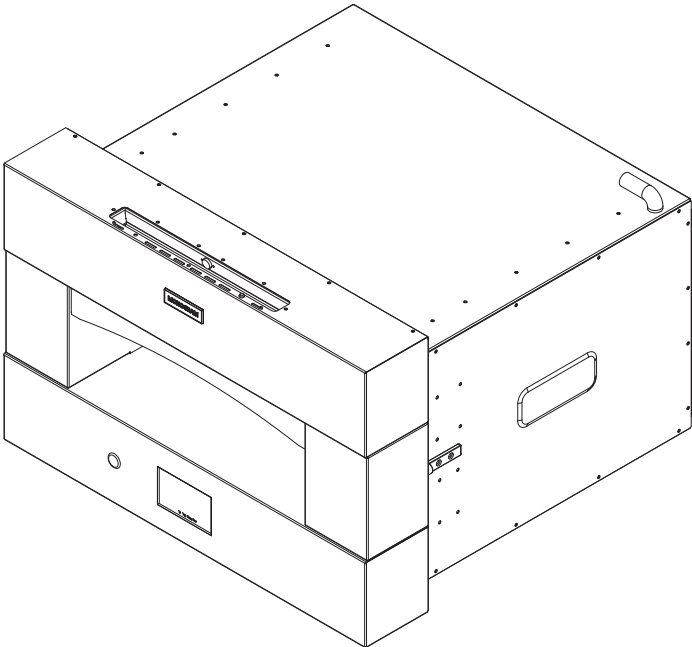
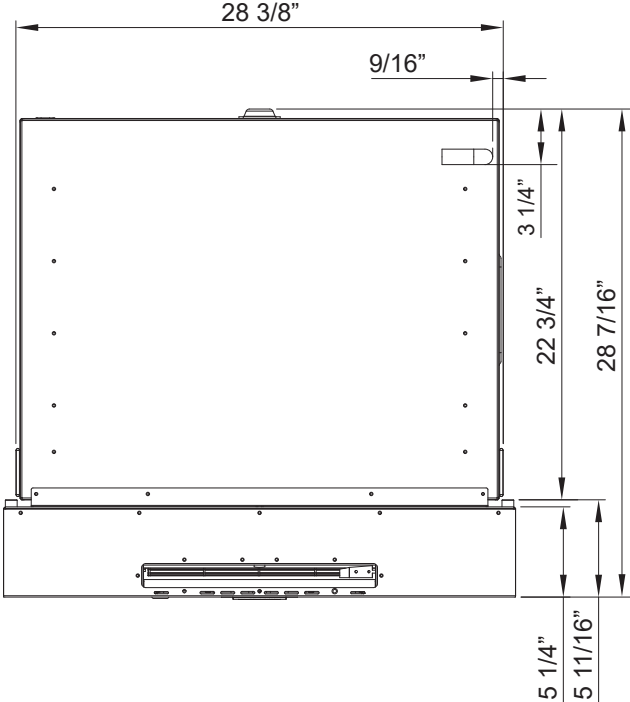
Check with your local utilities for electrical codes which apply in your area. Failure to wire your oven according to governing codes could result in a hazardous condition. If there are no local codes, your oven must be wired and fused to meet the requirements of the National Electrical Code, NFPA No. 70—Latest Edition, available from the National Fire Protection Association.

Effective January 1, 1996, the National Electrical Code requires that new, but not existing, construction utilize a four-conductor connection to an electric oven. When installing an electric oven in new construction, a mobile home, recreational vehicle or an area where local codes prohibit grounding through the neutral conductor, follow the instructions in the section on **NEW CONSTRUCTION AND FOUR-CONDUCTOR BRANCH CIRCUIT CONNECTION**.

You must use a single-phase 120/208 VAC or 120/240 VAC, 60 hertz electrical system. If you connect to aluminum wiring, properly installed connectors approved for use with aluminum wiring must be used.

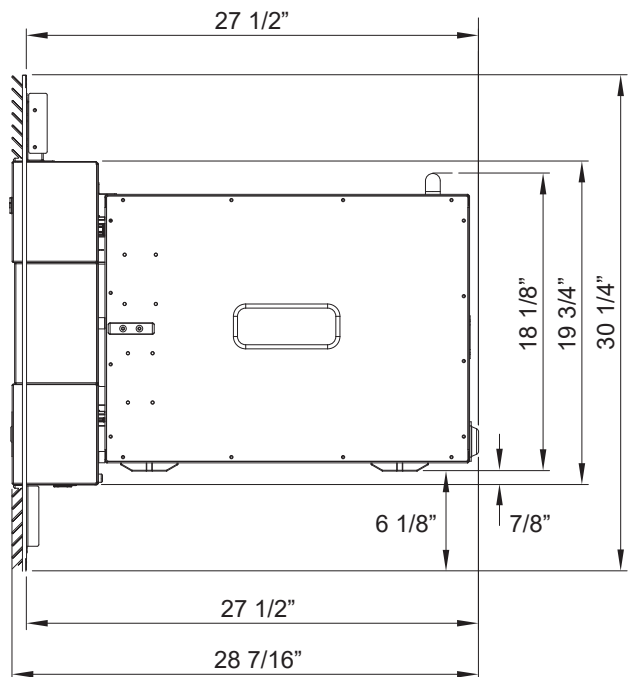
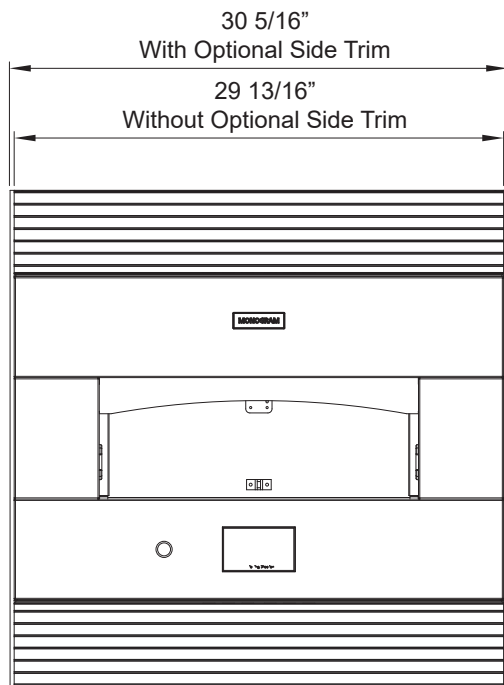
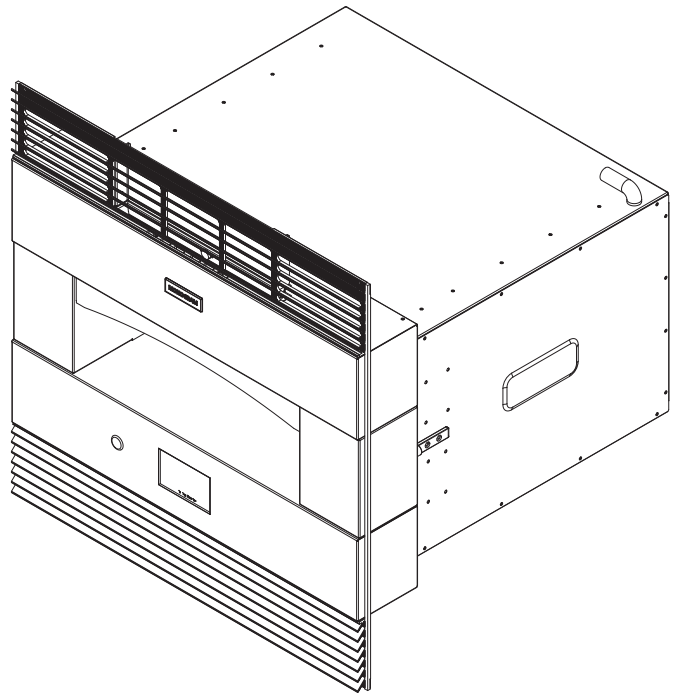
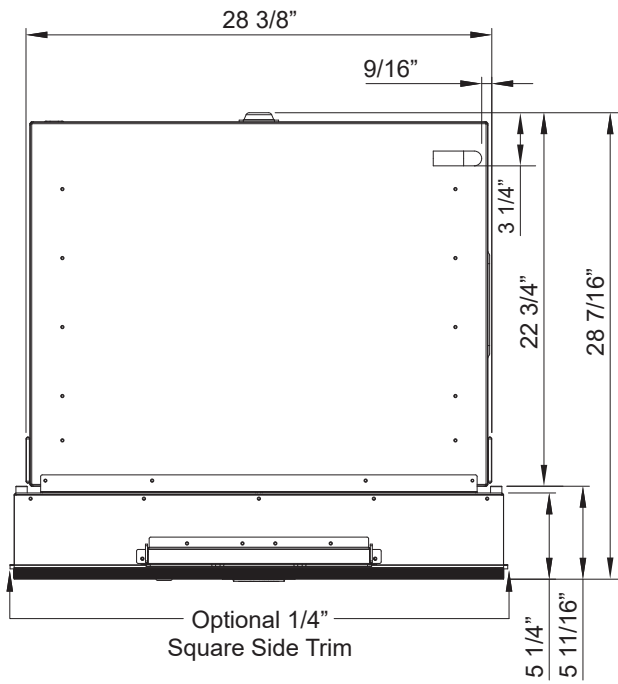
Installation Instructions

PRODUCT DIMENSIONS (WITHOUT TRIM)



Installation Instructions

PRODUCT DIMENSIONS (WITH TRIM)

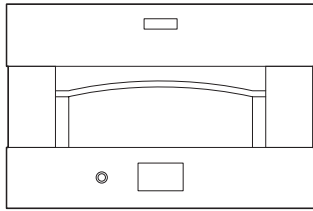


Installation Instructions

PRE-INSTALLATION CHECKLIST

ALL INSTALLATION INFORMATION ON THE FOLLOWING PAGES IS TO BE USED FOR **ELECTRIC INDOOR HEARTH OVEN** INSTALLATION!

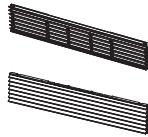
- Remove packaging materials and literature pack.



Hearth Oven



Literature Pack



Trim Kit
(Included with ZEP30F)

- Remove Installation Instructions from literature pack and read them carefully before you begin.

Be sure to place all literature, Owner's Manual, Installations, etc. in a safe place for future reference.

- Place the oven on a table or platform even with the cutout opening. Platform must support 200 lbs. (91 Kg).

The hearth oven may be installed in a cabinet alone, above a warming drawer, or above specified wall ovens. See the label on top of the oven for approved models.

CAUTION Installing the oven below the minimum height of 47 inches creates a burn hazard for children. Do not install below the minimum height.

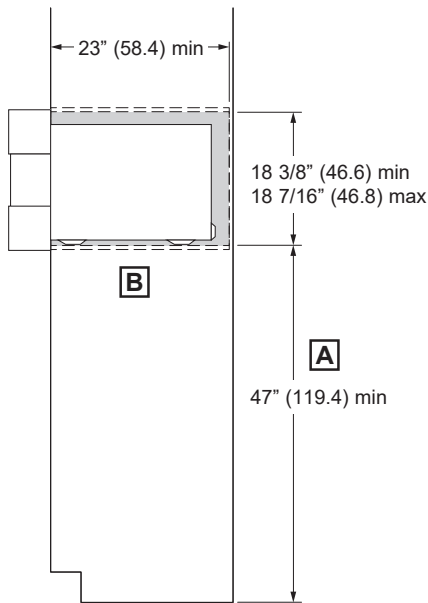
1 A CUTOUT FOR HEARTH OVEN - WITHOUT TRIM KIT

- A** 47" is the required minimum installation height. Oven may be installed higher based on owner preference.

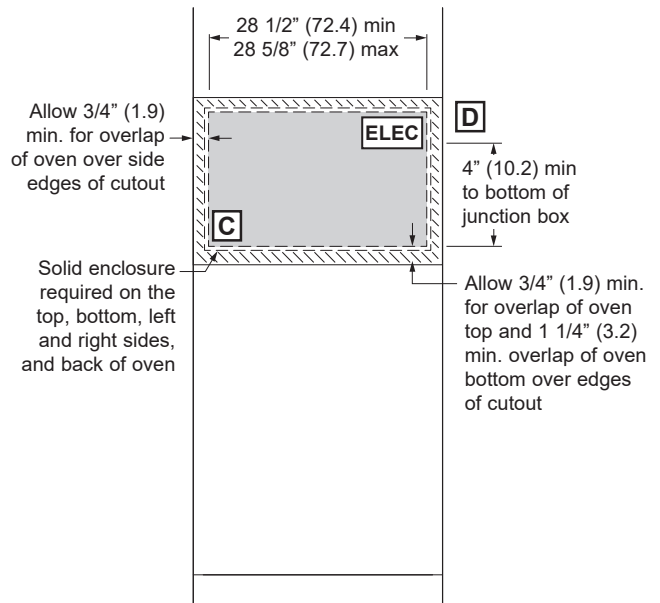
- B** Platform must be able to support 200 lbs (91 kg).

- C** Solid enclosure required on the top, bottom, left and right sides and back of oven.

- D** Junction box location (May also be located in adjacent cabinet).



INSTALLATION
SIDE VIEW



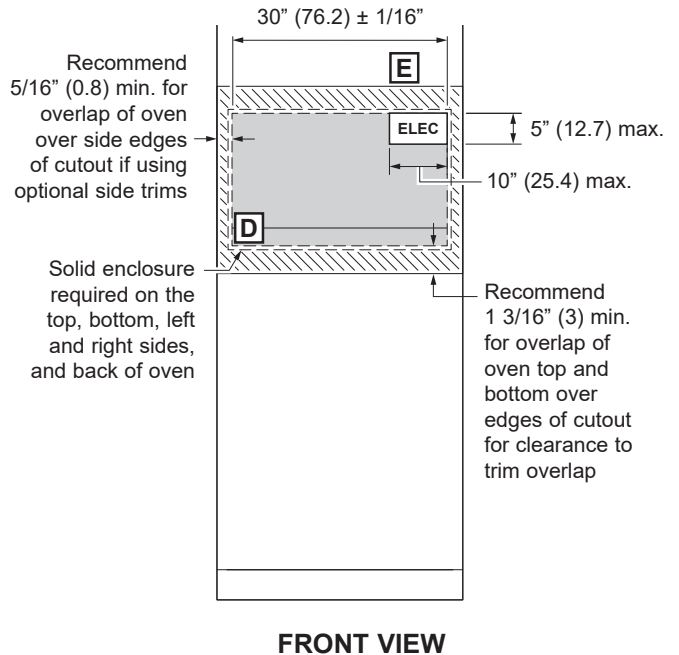
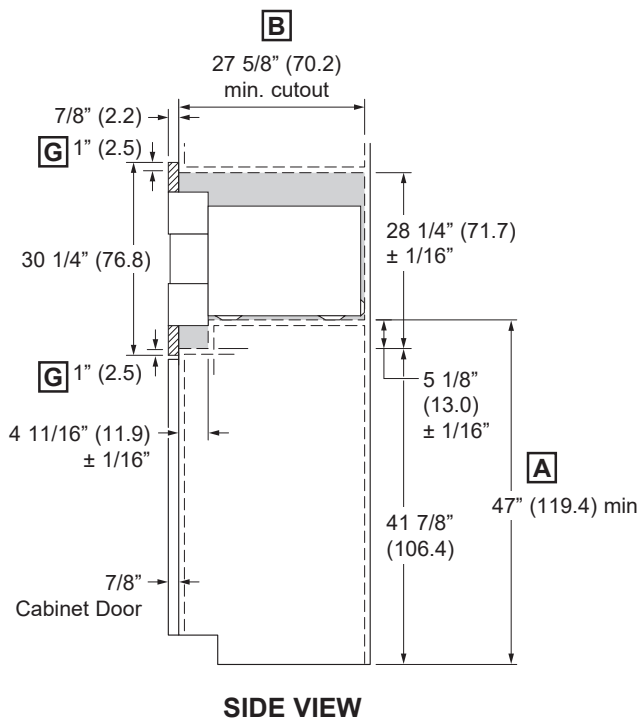
INSTALLATION
FRONT VIEW

Installation Instructions

1 **B** CUTOUT FOR FLUSH MOUNT INSTALLATION - TRIM KIT REQUIRED

- A** 47" is the required minimum installation height. Oven may be installed higher based on owner preference.
- B** Extended depth cabinet is required. Drywall is acceptable as back enclosure.
- C** Platform must be able to support 200 lbs (91 kg).
- D** Solid enclosure required on the top, bottom, left and right sides and back of oven.
- E** Junction box location (May also be located in adjacent cabinet).
- F** Standard depth cabinet requires modification of interior wall.
- G** 1" overlap required top and bottom to allow for fastening trims to cabinet. This can be achieved with blocking which is secured to the cabinet.

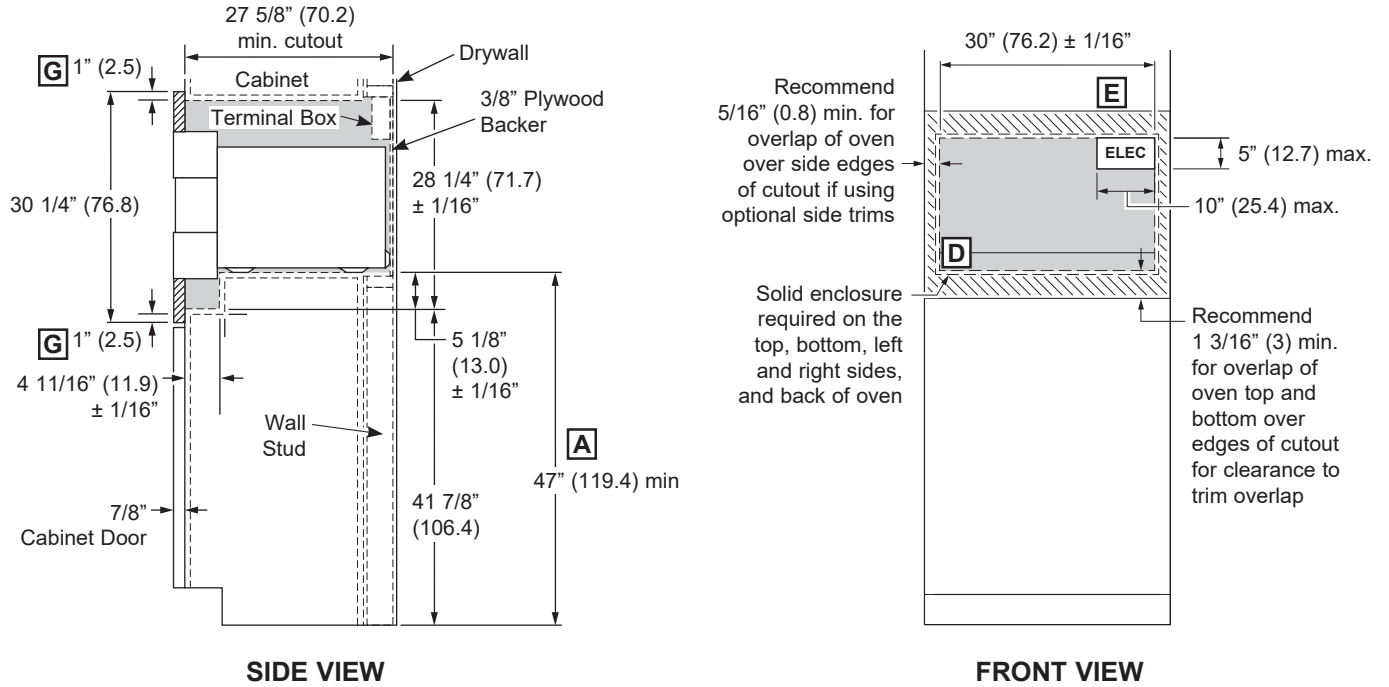
EXTENDED DEPTH CABINET INSTALLATION



Installation Instructions

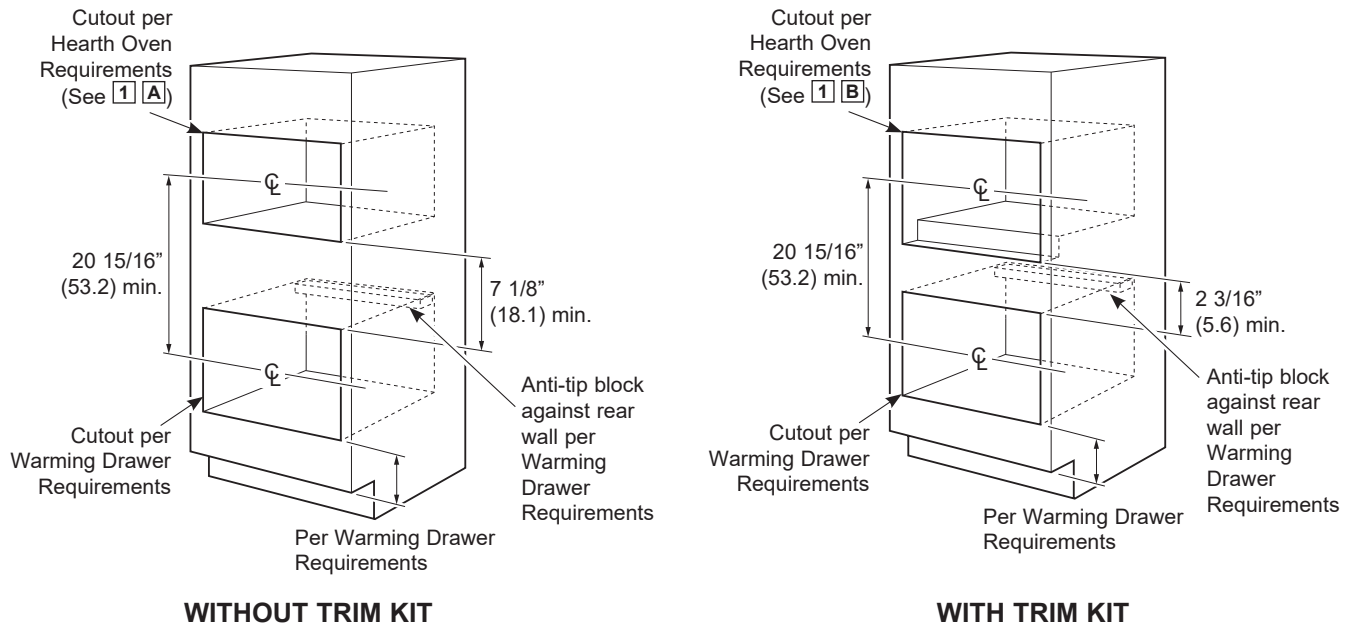
1 B CUTOUT FOR FLUSH MOUNT INSTALLATION - TRIM KIT REQUIRED (Cont.)

STANDARD DEPTH CABINET INSTALLATION



1 C INSTALLATION OVER A WARMING DRAWER

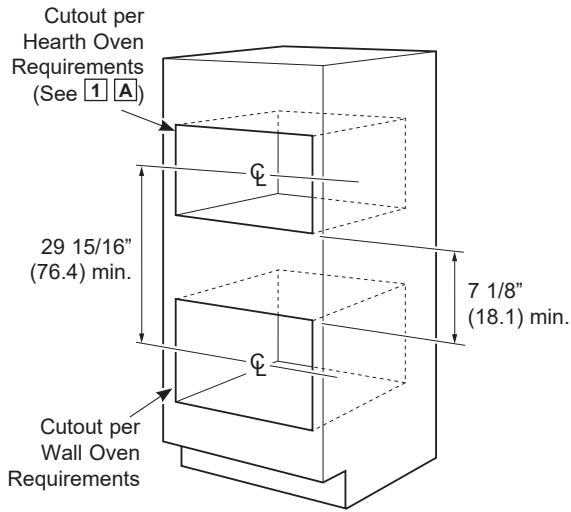
NOTE: Install the oven only with specific models listed on the label on top of the oven.



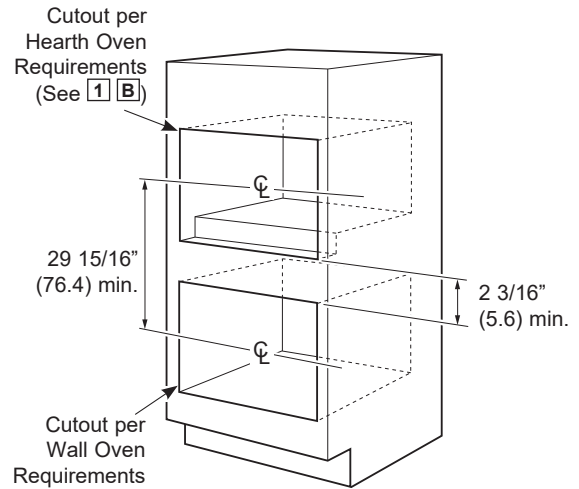
Installation Instructions

1 D INSTALLATION OVER A WALL OVEN

NOTE: Install the oven only with specific models listed on the label on top of the oven.



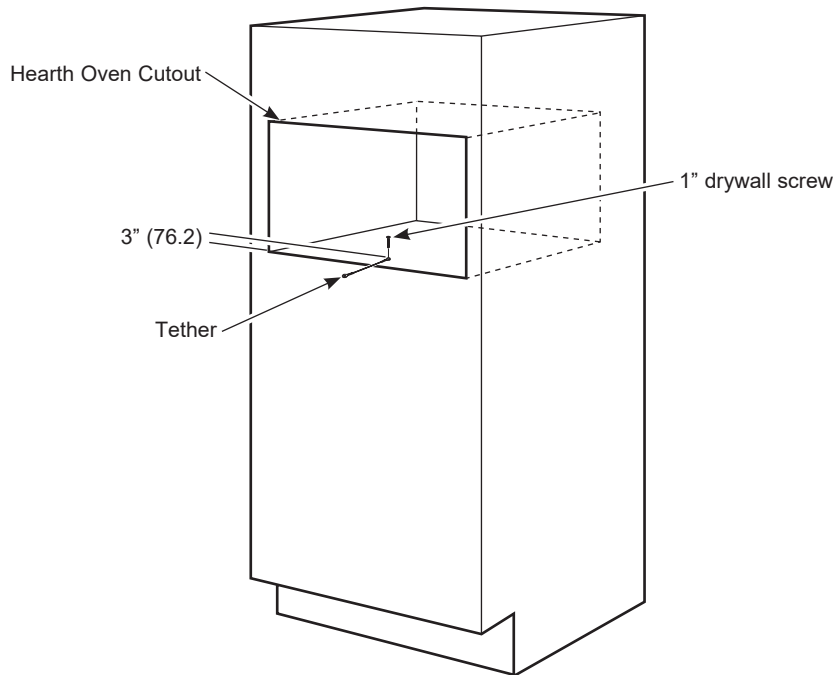
WITHOUT TRIM KIT



WITH TRIM KIT

1 E TETHER INSTALLATION (Required if installed without trim kit)

Use a drill with 1/8" drill bit to drill a pilot hole for the 1" drywall screw. Screw is installed 3" from cabinet front face and centered horizontally. Attach the tether to the enclosure bottom using the provided 1" drywall screw. The free end of the tether will be secured to the hearth oven case in step 3.



WITHOUT TRIM KIT

Installation Instructions

2 ELECTRICAL CONNECTIONS

ATTENTION INSTALLER

All electric wall ovens must be hard wired (direct wired) into an approved junction box. A plug and receptacle is NOT permitted on these products.

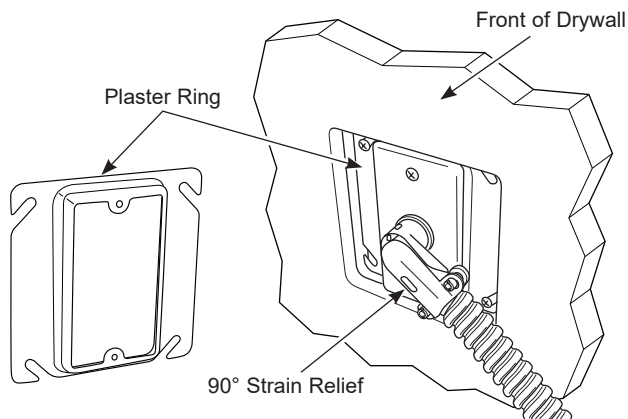
Do not shorten the flexible conduit. The conduit strain relief clamp must be securely attached to the junction box and the flexible conduit must be securely attached to the clamp. If the flexible conduit will not fit within the clamp, do not install the oven until a clamp of the proper size is obtained.

NOTE TO ELECTRICIAN: The 3 power leads supplied with this appliance are UL recognized for connection to heavier gauge household wiring. The insulation of these 3 leads is rated at temperatures much higher than the temperature rating of household wiring. The current carrying capacity of the conductor is governed by the wire gauge and the temperature rating of the insulation around the wire.

⚠ WARNING Improper connection of aluminum house wiring to copper leads can result in an electrical hazard or fire. Use only connectors designed for joining copper to aluminum and follow the manufacturer's recommended procedure closely.

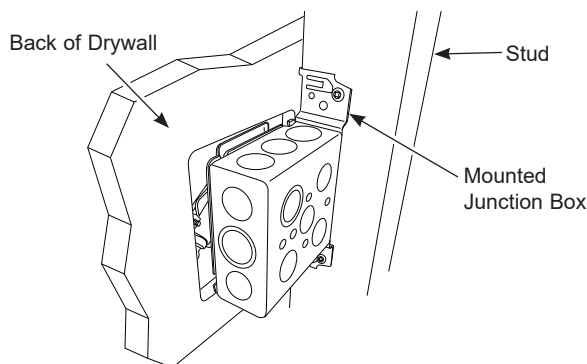
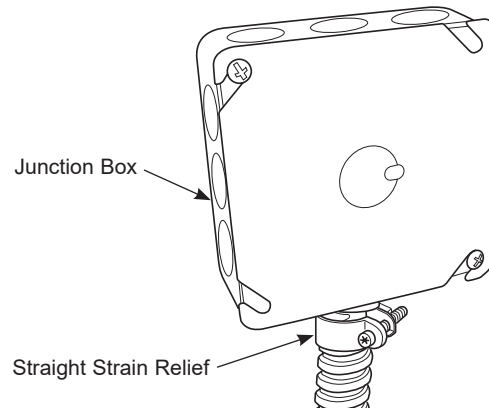
RECOMMENDED INSTALLATION OPTIONS

Option 1 - A junction box with a plaster ring and 90° strain relief, mounted to a stud behind the drywall.



FRONT VIEW

Option 2 - Standard junction box with a straight strain relief.

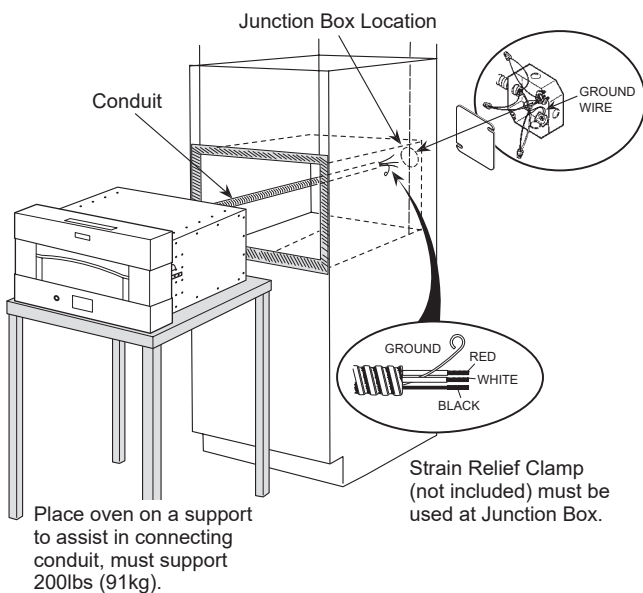


BACK VIEW

Installation Instructions

2 ELECTRICAL CONNECTIONS (Cont)

1. Turn off the circuit breaker or remove fuses to the oven branch circuit.
2. With the oven supported on a table or platform in front of the cabinet opening, connect the flexible conduit to the electrical junction box as shown below. Position the conduit in such a manner that it will lie in a natural loop, in the conduit pocket behind the unit, when the oven is installed. You will need to purchase an appropriate strain relief clamp to complete the connection of the conduit to the junction box.



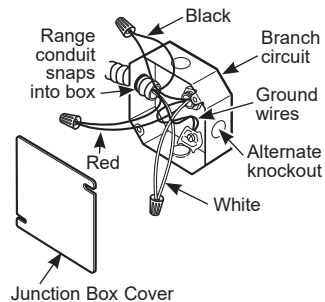
A NEW CONSTRUCTION AND FOUR-CONDUCTOR BRANCH CIRCUIT CONNECTION

- When installing in new construction, or
- When installing in a mobile home, or
- When installing in a recreational vehicle, or
- When local codes do not permit grounding through neutral:

NOTE: If residence leads or ground are aluminum conductors, see WARNING on page 5.

When connecting to a four-conductor branch circuit, if local codes permit:

1. Free the neutral (white) lead from being restrained to any other wires. If necessary, cut the neutral (white) lead and then re-strip it to expose the proper length of conductor.
2. Attach the appliance grounding lead (green or bare copper) in accordance with local codes.



3. Connect the oven neutral (white) lead to the branch circuit neutral (white or gray) in accordance with local codes, using a wire nut.
4. Connect the oven red lead to the branch circuit red lead and the oven black lead to the branch circuit black lead in accordance with local codes, using wire nuts.
5. Install proper strain relief clamp.
6. Install junction box cover.

Installation Instructions

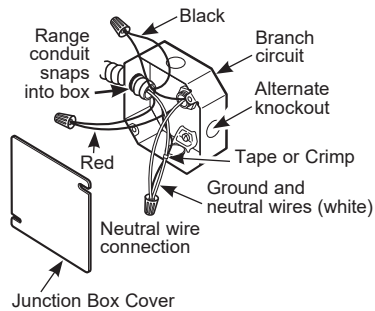
2 ELECTRICAL CONNECTIONS (Cont)

B THREE-CONDUCTOR BRANCH CIRCUIT CONNECTION

NOTE: If residence leads are aluminum conductors, see **WARNING** on page 5.

When connecting to a three-conductor branch circuit, if local codes permit:

1. Connect the oven ground conductor along with the neutral (white) lead to the branch circuit neutral (white or gray in color), using a wire nut.

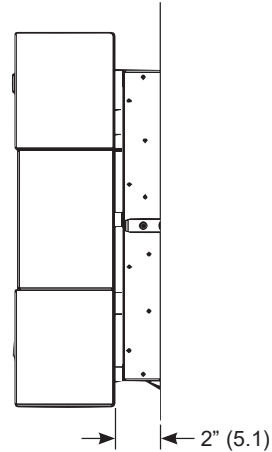


2. Connect the oven red lead to the branch circuit red lead and the oven black lead to the branch circuit black lead in accordance with local codes, using wire nuts.
3. Install proper strain relief clamp.
4. Install junction box cover.

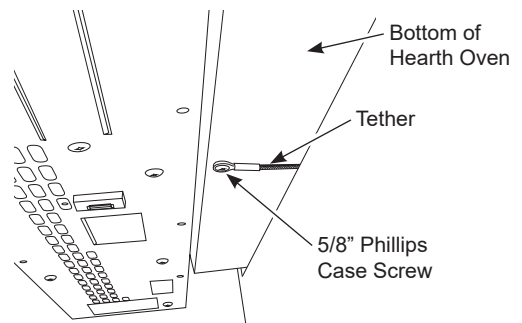
3 INSTALLING THE OVEN IN THE CABINET

A WITHOUT TRIM KIT

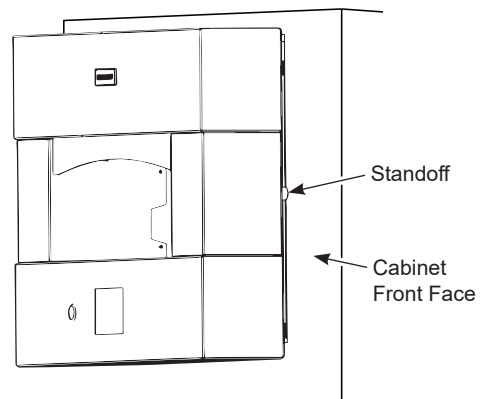
1. Lift oven into cabinet cutout using the bottom as a grip. Do not lift by the oven opening.



2. Carefully slide the oven back into the cutout until it is about 2" from contacting cabinet face.
3. Attach the free end of the tether to the bottom of the hearth oven case using the provided 5/8" Phillips case screw.



4. Finish sliding the oven into the cabinet. The oven is fully installed when the standoffs touch the cabinet front face.

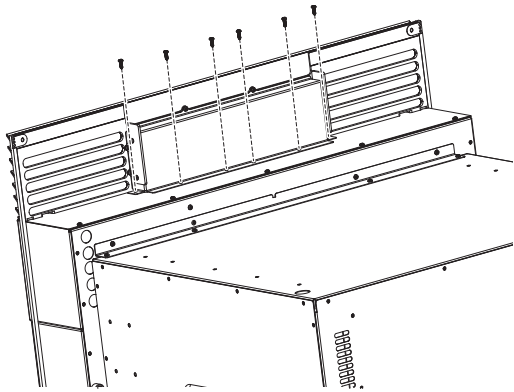


Installation Instructions

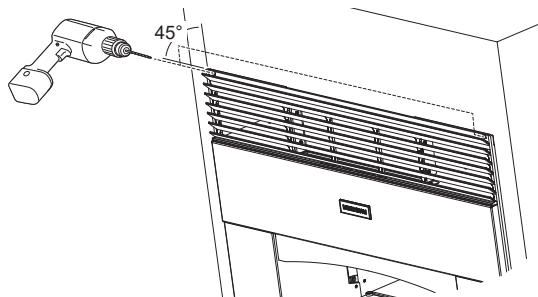
3 INSTALLING THE OVEN IN THE CABINET (Cont.)

B WITH TRIM KIT

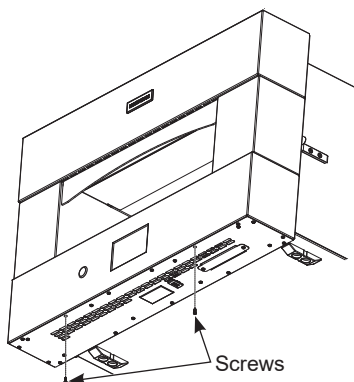
1. Before lifting oven into cabinet cutout, remove six screws from top vent and attach top grille to top of oven using the same screws as shown.



2. Lift oven into cabinet cutout using the bottom as a grip. Do not lift by the oven opening.
3. Carefully slide the oven back into the cutout until the top grille just touches the front face of the cabinet. **NOTE:** Do not push too far or damage to the top grille may occur.
4. Pre-drill top grille mounting holes into cabinet using 3/32" drill bit and the hole in the trim as a guide.

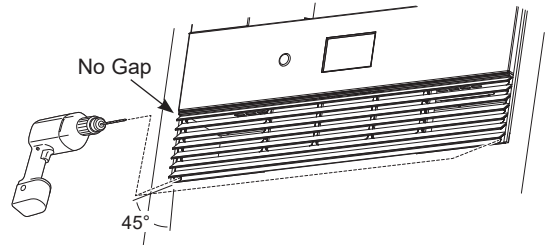


5. Remove these two screws from the bottom.



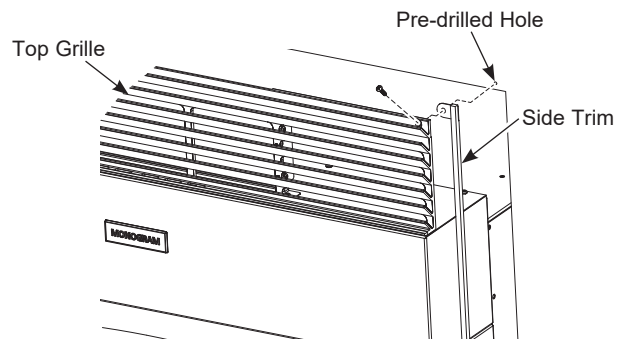
3 INSTALLING THE OVEN IN THE CABINET (Cont.)

6. Align bottom grille by inserting alignment posts into hearth oven front and pre-drill mounting holes using 3/32" drill bit, ensuring there is no gap between the grill and the oven.

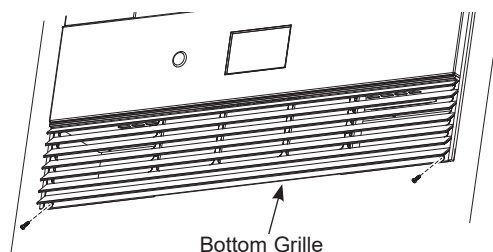
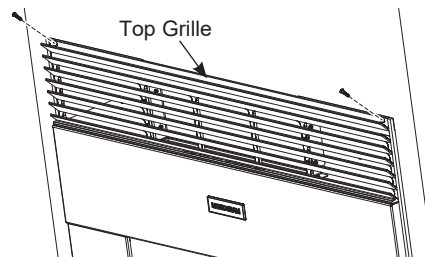


NOTE: A 2" wide by 30" long masking tape strip can be used to hold the bottom grille tightly to the bottom of the oven while the mounting holes are drilled.

7. Starting at the top, attach grilles and side trim using supplied 3/4" phillips screws and the 3/32" holes drilled previously, as shown.



NOTE: Oven shown extended from cabinet for clarity of assembly. Side trim should be installed with oven and grille flush to cabinet frame.

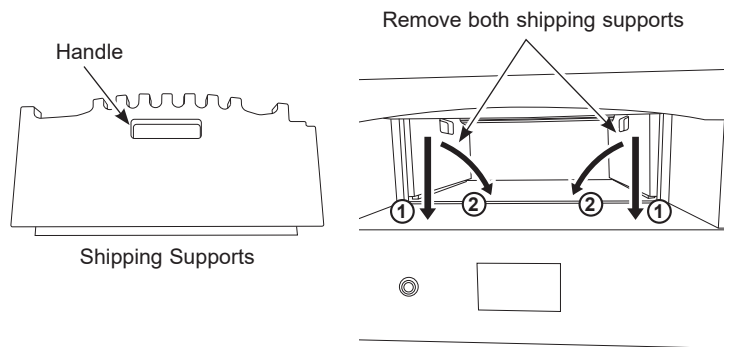


Notes

Installation Instructions

PRE-TEST CHECKLIST

- Remove all protective film, if present.
- Check to be sure that all wiring is secure and not pinched.
- Remove cooking deck shipping supports by:
 1. Pulling down on the shipping support by the handle.
 2. Rotating the shipping support towards the cooking deck.
 3. Pull out from oven and discard.



OPERATION CHECKLIST

IMPORTANT

- Remove all items from the inside of the oven.
- Check that conduit is securely connected to the junction box.
- Turn on the power to the oven. (Refer to your Owner's Manual.) Verify that all cooking functions operate properly.
- Check that the circuit breaker is not tripped nor the house fuse blown.
- See your Owner's Manual for troubleshooting list.

NOTE TO ELECTRICIAN: The power leads supplied with this appliance are UL recognized for connections to larger gauge household wiring. The insulation of these leads is rated at temperatures much higher than the temperature rating of household wiring. The current carrying capacity of a conductor is governed by the wire gauge and also the temperature rating of the insulation around the wire.

NOTE: ALUMINUM WIRING

- A. **⚠ WARNING** IMPROPER CONNECTION OF ALUMINUM HOUSE WIRING TO THE COPPER LEADS CAN RESULT IN AN ELECTRICAL HAZARD OR FIRE.
- B. Splice copper wires to aluminum wiring using special connectors designed and UL approved for joining copper to aluminum, and follow the manufacturer's recommended connector procedure closely.

NOTE: Wire used, location and enclosure of splices, etc., must conform to good wiring practice and local codes.

Instructions d'installation

Four à pizza intérieur ZEP30

Si vous avez des questions, composez le 800-GE-CARES (800-432-2737) ou consultez notre site Web : GEAppliances.com. Au Canada : Appelez au 1-888-880-3030 ou visitez notre site Web à : monogram.ca.

AVANT DE COMMENCER

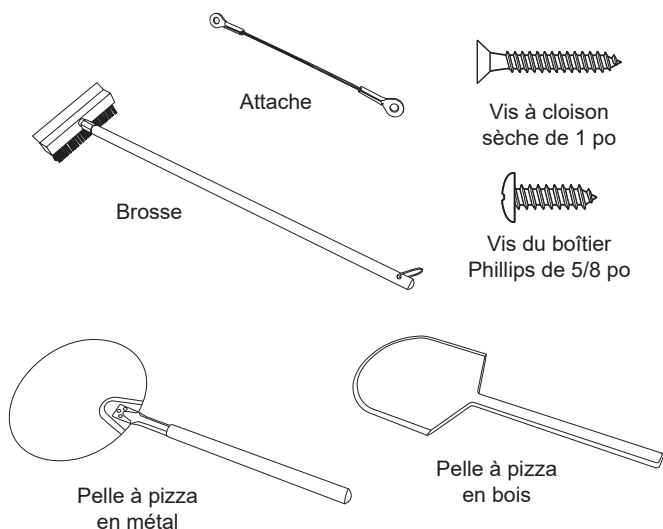
Lisez attentivement toutes ces instructions.

- **IMPORTANT** – Conservez ces instructions pour l'inspecteur local.
- **IMPORTANT** – Respectez tous les codes et règlements en vigueur.
- **Remarque destinée à l'installateur** – Assurez-vous de laisser ces instructions au consommateur.
- **Remarque destinée au consommateur** – Conservez ces instructions pour vous y reporter ultérieurement.
- L'installateur est responsable de la qualité de l'installation. Une panne du produit due à une mauvaise installation n'est PAS couverte par la garantie.
- **Remarque** – Cet appareil doit être correctement mis à la terre.

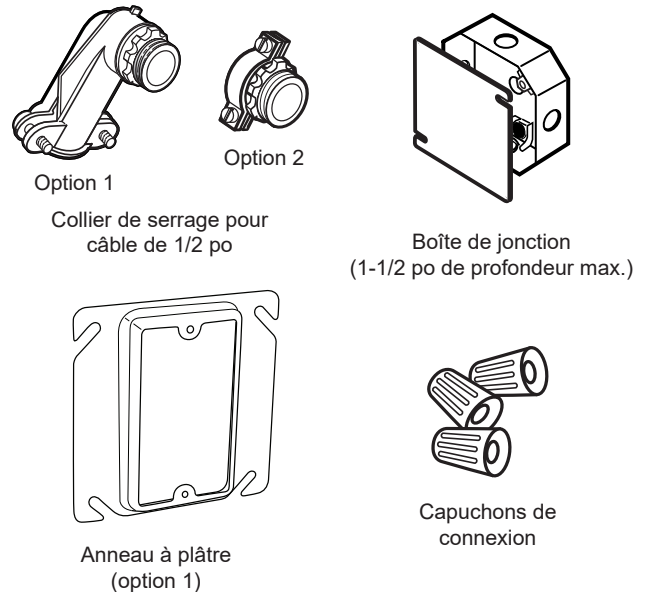
• AVERTISSEMENT DESTINÉ À L'INSTALLATEUR

Tous les fours encastrés électriques doivent être raccordés par câble (en ligne directe) à une boîte de jonction approuvée. L'utilisation d'une fiche et d'une prise est INTERDITE pour ce type d'appareil.

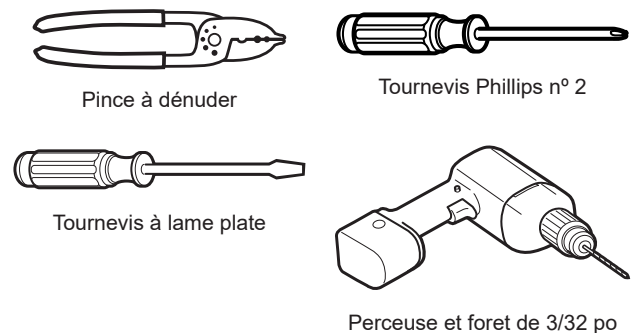
PIÈCES INCLUSES (L'apparence variera.)



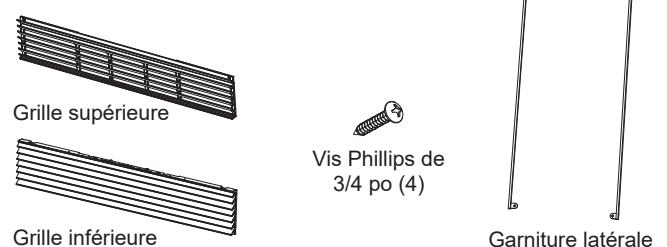
MATÉRIEL NÉCESSAIRE



OUTILS NÉCESSAIRES



PIÈCES DE LA TROUSSE DE GARNITURES (incluses avec le modèle ZEP30F)



Instructions d'installation

CONSIGNES DE SÉCURITÉ IMPORTANTES

POUR VOTRE SÉCURITÉ

- Assurez-vous que votre four est correctement installé par un installateur ou un technicien qualifiés.
- Assurez-vous que le four est installé dans une armoire qui est solidement fixée à la structure de l'habitation. Ne permettez à personne de grimper, de s'asseoir, de se tenir debout sur le four ou de s'y suspendre.
- Assurez-vous que les armoires et les revêtements muraux autour du four peuvent supporter les températures générées par celui-ci (jusqu'à 200 °F/93,3 °C).

⚠ AVERTISSEMENT

L'alimentation électrique du four doit être coupée lorsque les raccordements sont effectués. Dans le cas contraire, vous vous exposeriez à des blessures graves, voire mortelles.

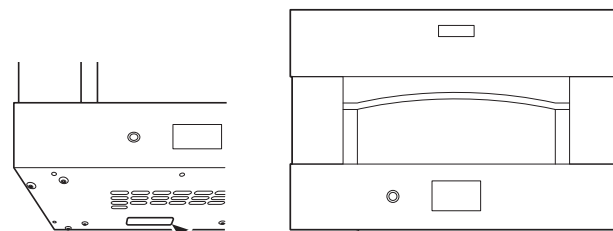
EXIGENCES ÉLECTRIQUES

Cet appareil est conçu pour être alimenté à une tension et une fréquence appropriées, et doit être branché à un circuit de dérivation individuel correctement mis à la terre et protégé par un disjoncteur ou un fusible temporisé. Reportez-vous à la plaque signalétique située au bas du panneau avant pour déterminer la classification de l'appareil. Le tableau ci-dessous indique la protection minimale recommandée pour le circuit dédié.

Puissance nominale en kW à 240 V	Puissance nominale en kW à 208 V	Taille de circuit requise (dédié)
9,7 à 12,0 kW	8,4 à 10,4 kW	50 A

EXIGENCES ÉLECTRIQUES

La plaque signalétique est située au bas du panneau avant.



Emplacement de la plaque signalétique

Nous vous recommandons d'avoir recours aux services d'un électricien qualifié pour effectuer le câblage électrique et le raccordement de votre four. Après l'installation, demandez à l'électricien de vous montrer comment couper l'alimentation de la cuisinière.

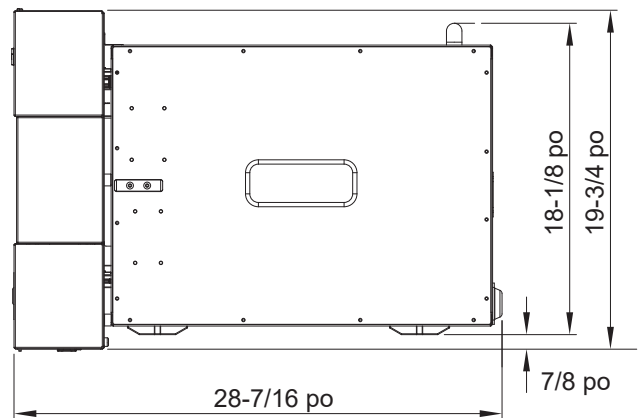
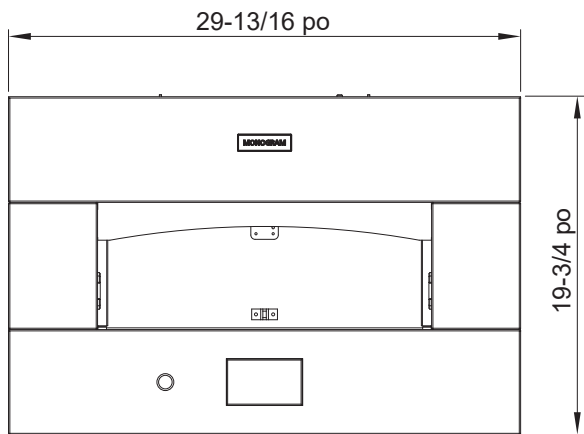
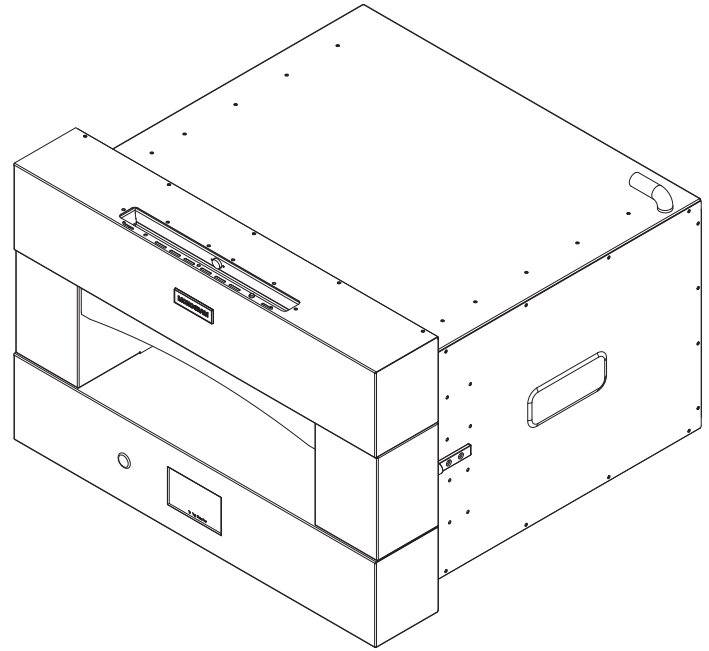
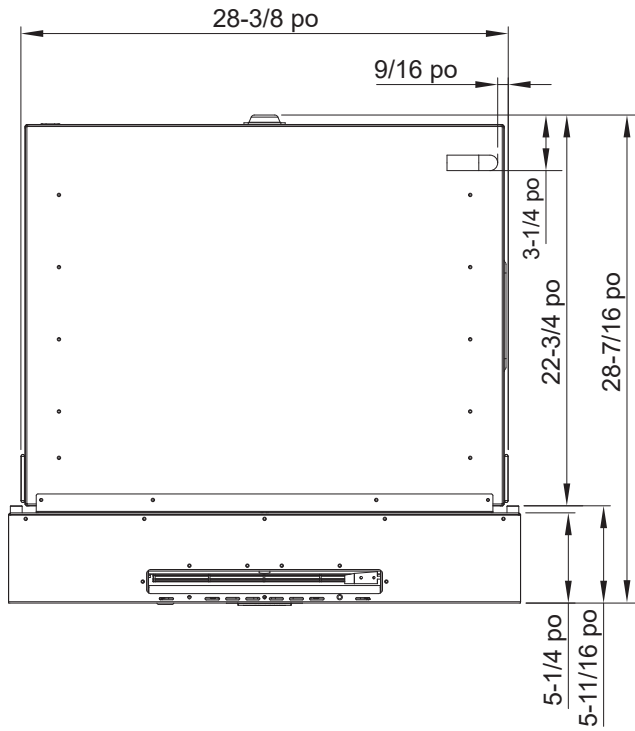
Renseignez-vous auprès des services publics locaux pour savoir quels sont les codes électriques applicables dans votre région. Ne pas raccorder votre four conformément aux codes en vigueur pourrait se révéler dangereux. En l'absence de codes locaux, votre four devrait être raccordé et protégé par un fusible, conformément aux exigences du Code national de l'électricité, NFPA n° 70 (dernière édition), disponible auprès de la National Fire Protection Association.

Depuis le 1^{er} janvier 1996, le Code national de l'électricité exige que chaque nouvelle construction (non préexistante) ait recours à un raccordement à quatre conducteurs pour un four électrique. Lorsqu'un four électrique est installé dans une nouvelle construction, une maison mobile ou un véhicule récréatif, ou lorsque les codes locaux interdisent la mise à la terre par le biais d'un conducteur neutre, suivez les instructions de la section NOUVELLE CONSTRUCTION ET RACCORDEMENT À UN CIRCUIT DE DÉRIVATION À QUATRE CONDUCTEURS.

Vous devez utiliser un système électrique monophasé de 120/208 V CA ou de 120/240 V CA et 60 hertz. Lorsque le câblage de la maison est en aluminium, utilisez des connecteurs correctement installés et homologués pour une utilisation avec un câblage en aluminium.

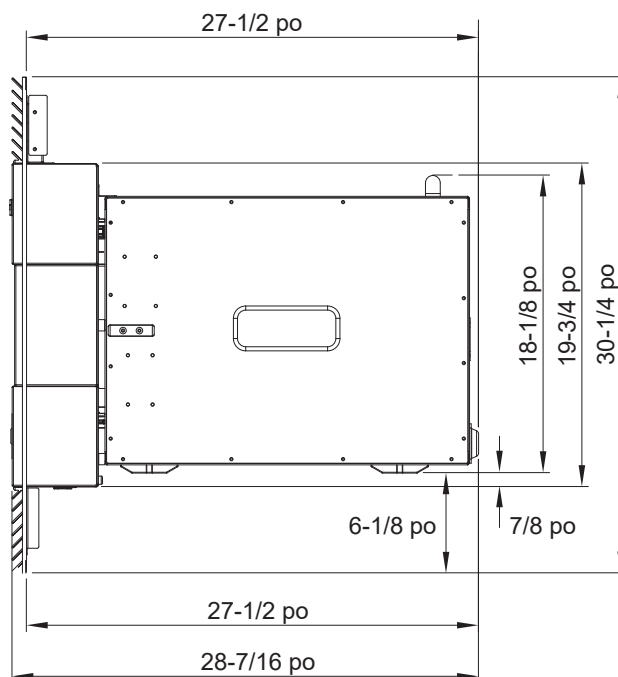
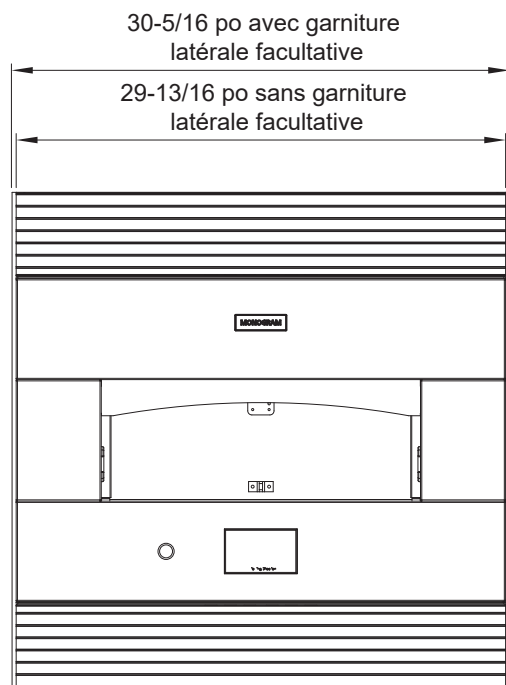
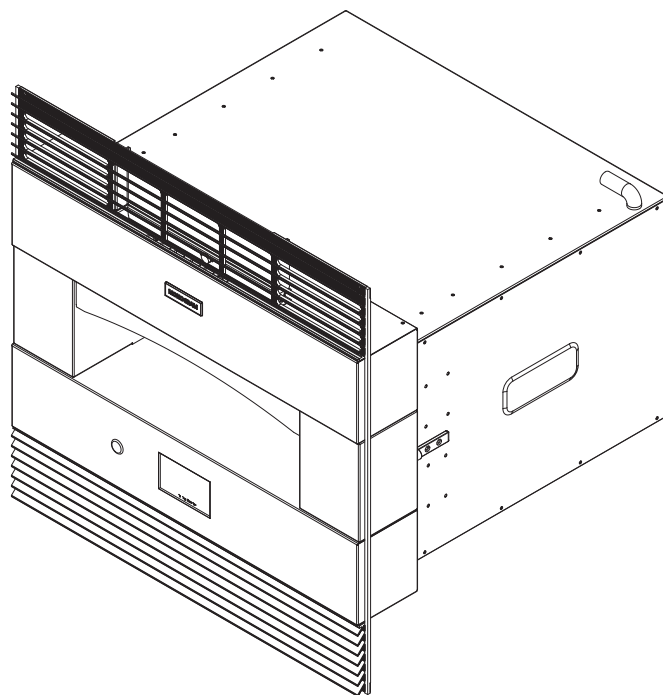
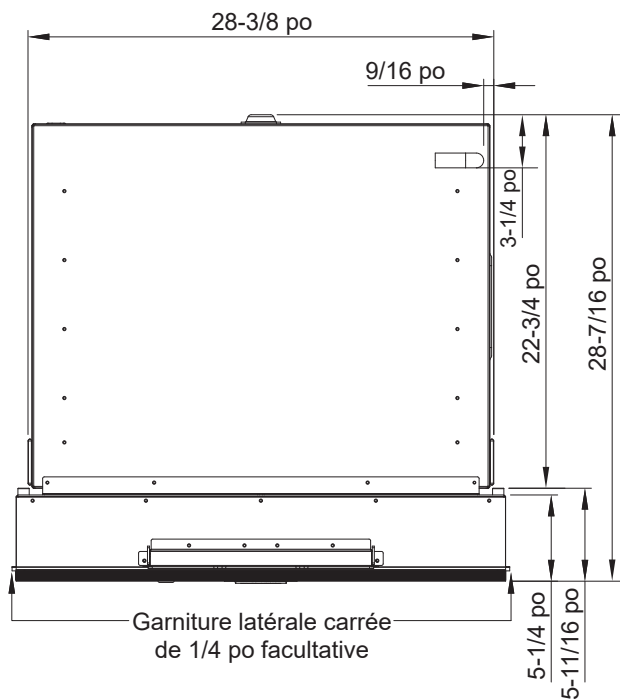
Instructions d'installation

DIMENSIONS DU FOUR (SANS GARNITURE)



Instructions d'installation

DIMENSIONS DU FOUR (AVEC GARNITURE)

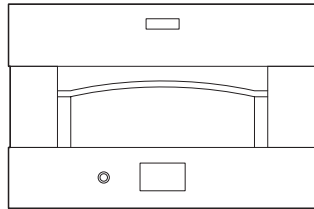


Instructions d'installation

LISTE DE VÉRIFICATION AVANT INSTALLATION

TOUTES LES INFORMATIONS D'INSTALLATION FOURNIES DANS LES PAGES SUIVANTES DOIVENT ÊTRE UTILISÉES POUR L'INSTALLATION DU FOUR À PIZZA ÉLECTRIQUE INTÉRIEUR!

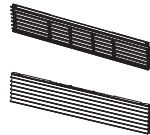
- Retirez les matériaux d'emballage et la documentation.



Four à pizza



Documentation



Trousse de garnitures
(incluse avec le modèle
ZEP30F)

- Retirez les instructions d'installation de l'enveloppe de la documentation et lisez-les attentivement avant de commencer.

Veillez à mettre toute la documentation, le manuel de l'utilisateur, les instructions d'installation, etc. dans un lieu sûr afin de pouvoir vous y reporter ultérieurement.

- Placez le four sur une table ou sur une plateforme à la hauteur de l'ouverture d'installation. La plateforme doit pouvoir supporter un poids de 200 lb (91 kg).

Le four à pizza peut être installé dans une armoire seule, au-dessus d'un tiroir-réchaud ou au-dessus de certains fours muraux. Voir l'étiquette sur le dessus du four pour les modèles de fours muraux approuvés.

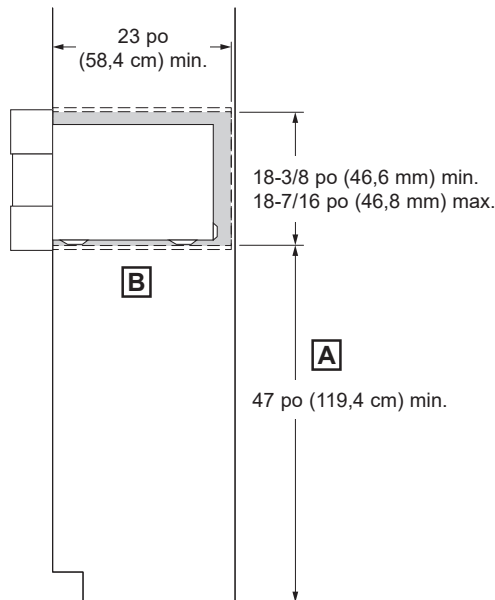
ATTENTION Installer le four en dessous de la hauteur minimale de 47 pouces entraînera un risque de brûlure pour les enfants. Ne l'installez pas en dessous de la hauteur minimale.

1 A DÉCOUPE POUR LE FOUR À PIZZA – SANS TROUSSE DE GARNITURES

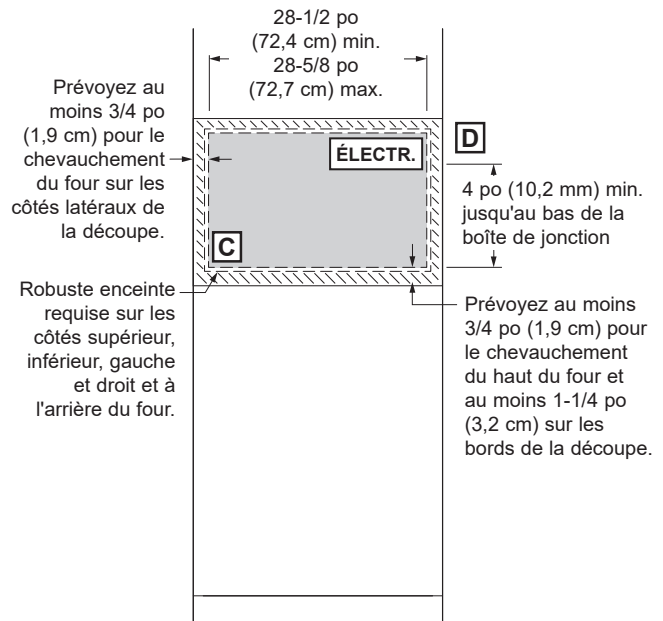
- A** La hauteur d'installation minimale requise est de 47 po. Le four peut être installé plus haut selon les préférences du propriétaire.

- B** La plateforme doit pouvoir supporter un poids de 200 lb (91 kg).

- C** Robuste enceinte requise sur les côtés supérieur, inférieur, gauche et droit et à l'arrière du four.
- D** Emplacement de la boîte de jonction (peut également être située dans une armoire adjacente).



VUE DE CÔTÉ DE L'INSTALLATION



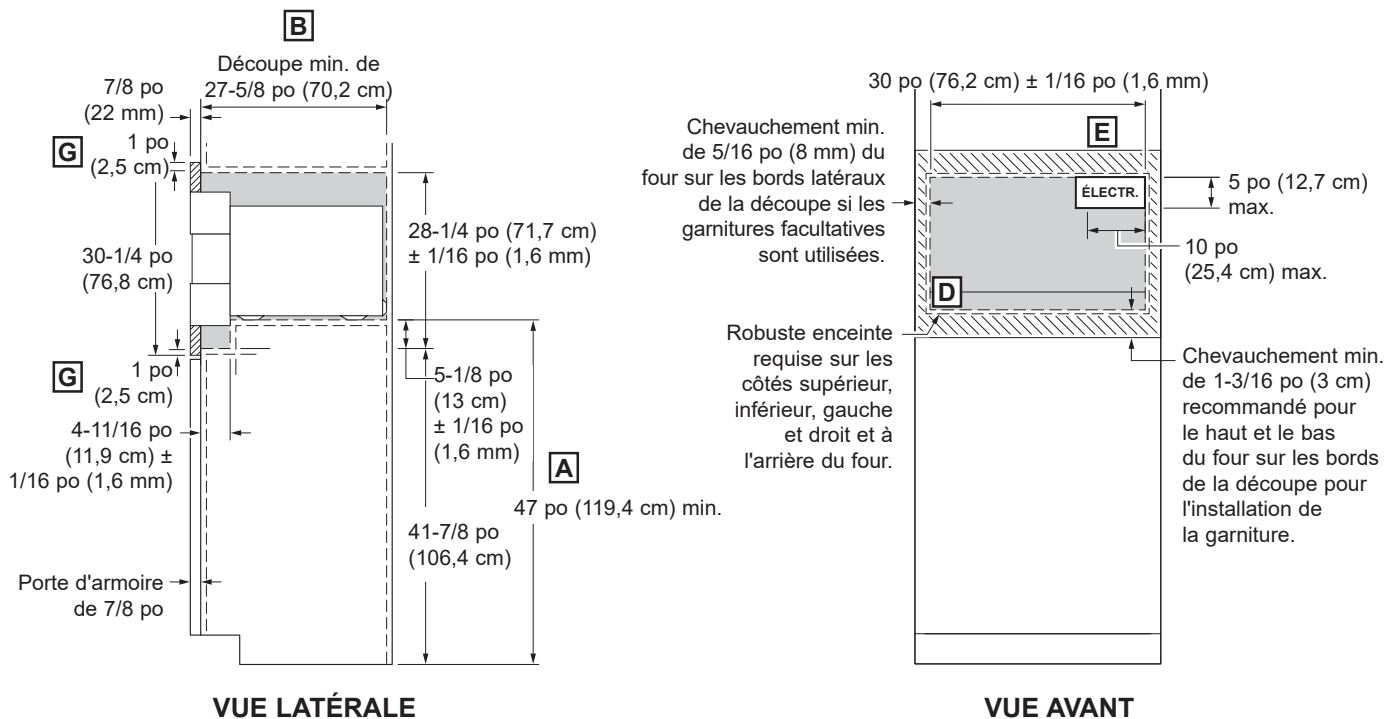
VUE AVANT DE L'INSTALLATION

Instructions d'installation

1 B DÉCOUPE POUR INSTALLATION ENCASTRÉE – TROUSSE DE GARNITURES REQUISE

- A** La hauteur d'installation minimale requise est de 47 po. Le four peut être installé plus haut selon les préférences du propriétaire.
- B** Une armoire de profondeur supérieure est requise. Du placoplâtre est acceptable à l'arrière de l'enceinte.
- C** La plateforme doit pouvoir supporter un poids de 200 lb (91 kg).
- D** Robuste enceinte requise sur les côtés supérieur, inférieur, gauche et droit et à l'arrière du four.
- E** Emplacement de la boîte de jonction (peut également être située dans une armoire adjacente).
- F** Une armoire de profondeur standard exige la modification du mur intérieur.
- G** Un chevauchement de 1 po est requis dans le haut et le bas pour fixer les garnitures à l'armoire. Cela s'accomplit en fixant des blocs de bois dans l'armoire.

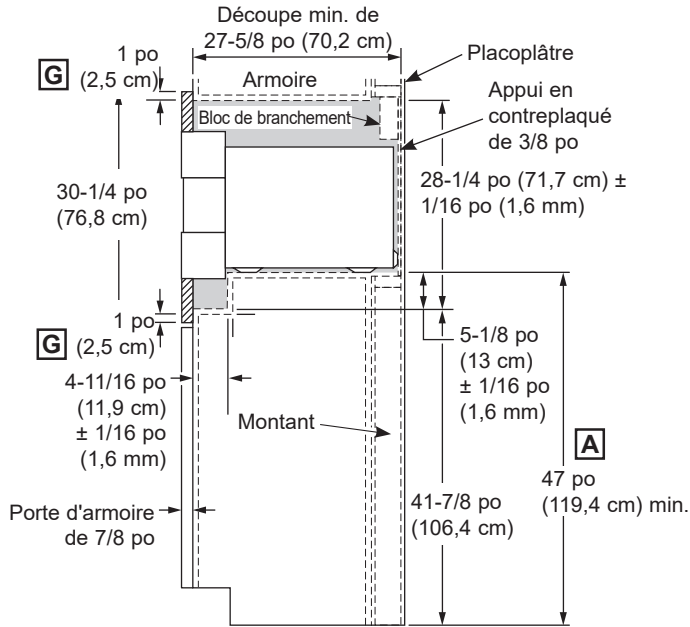
INSTALLATION DANS UNE ARMOIRE DE GRANDE PROFONDEUR



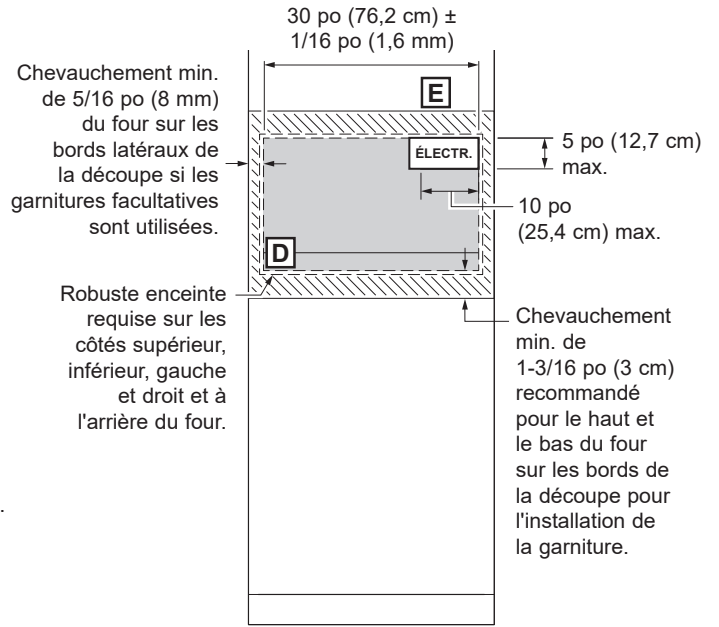
Instructions d'installation

1 B DÉCOUPE POUR INSTALLATION ENCASTRÉE – TROUSSE DE GARNITURES REQUISE (suite)

INSTALLATION DANS UNE ARMOIRE DE PROFONDEUR STANDARD



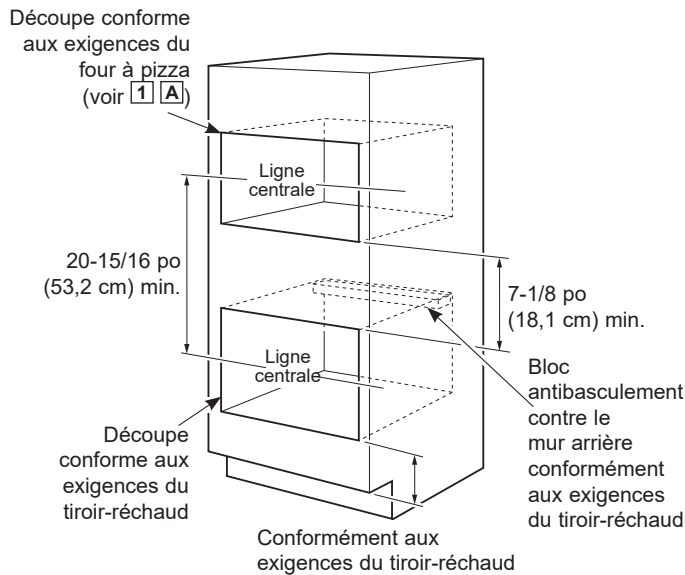
VUE LATÉRALE



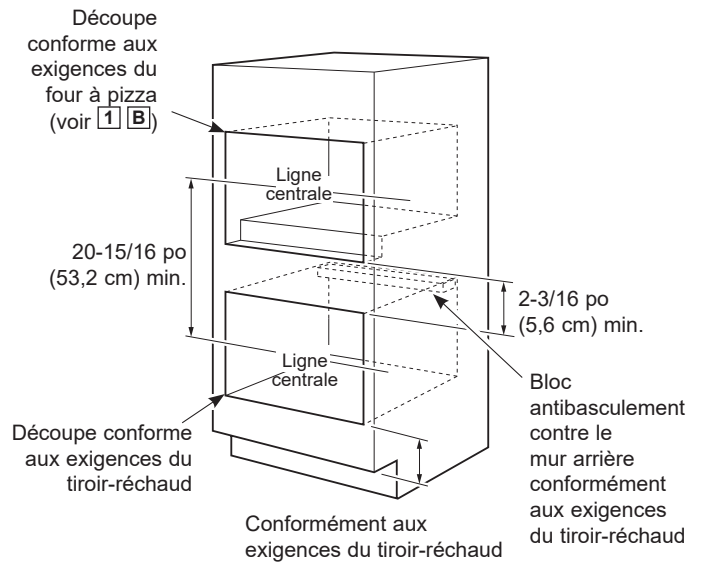
VUE AVANT

1 C INSTALLATION AU-DESSUS D'UN TIROIR-RÉCHAUD

REMARQUE : Installez le four seulement avec les modèles figurant sur l'étiquette sur le dessus du four.



SANS TROUSSE DE GARNITURES

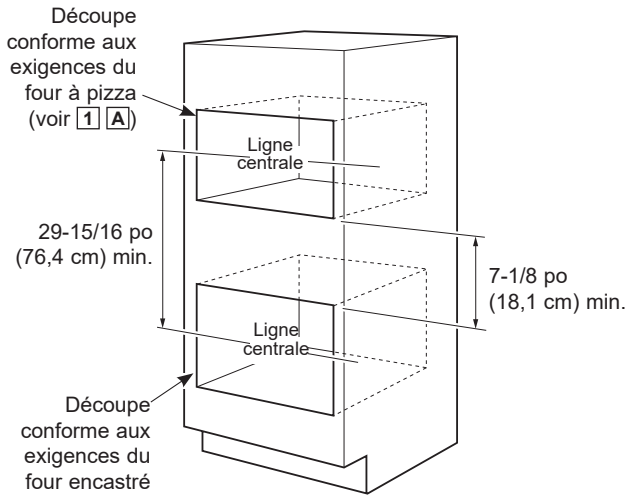


AVEC TROUSSE DE GARNITURES

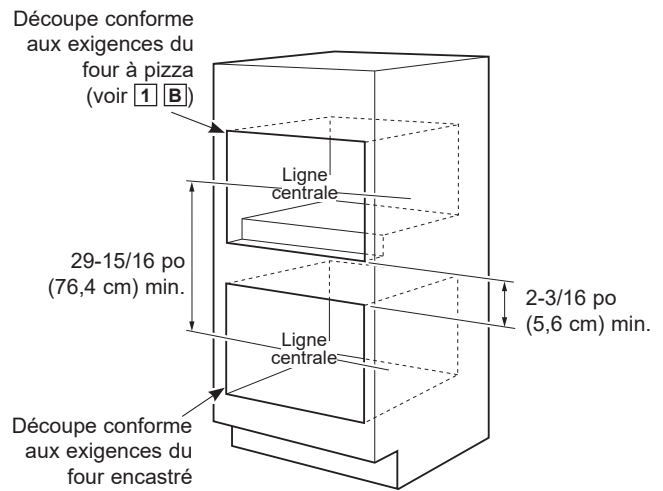
Instructions d'installation

1 D INSTALLATION AU-DESSUS D'UN FOUR ENCASTRÉ

REMARQUE : Installez le four seulement avec les modèles figurant sur l'étiquette sur le dessus du four.



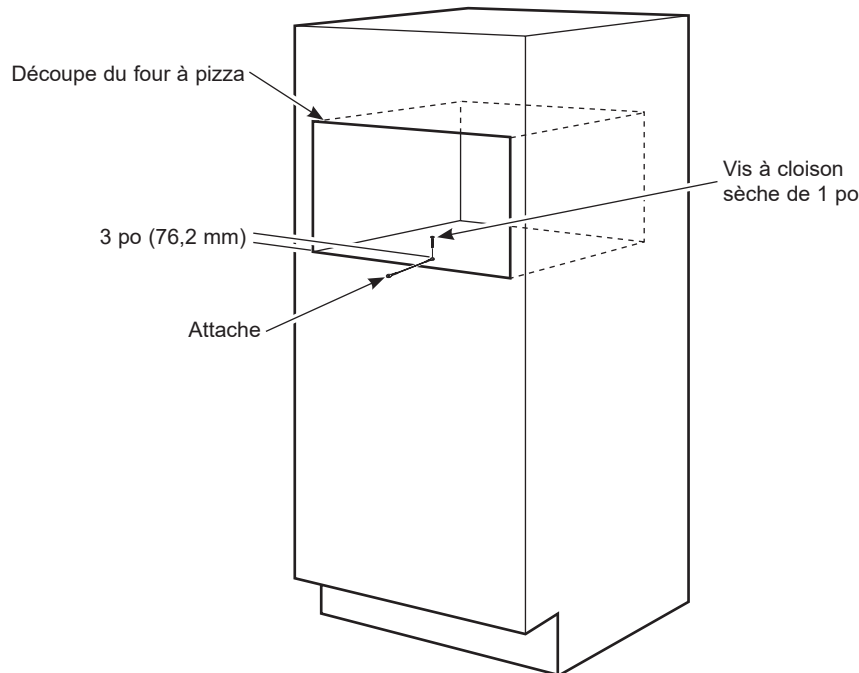
SANS TROUSSE DE GARNITURES



AVEC TROUSSE DE GARNITURES

1 E INSTALLATION DE L'ATTACHE (Requise pour l'installation sans garnitures)

Percez un avant-trou de 1/8 po pour la vis à cloison sèche de 1 po. Posez la vis à 3 po de la façade de l'armoire et centrée horizontalement. Fixez l'attache au fond de l'enceinte avec la vis à cloison sèche de 1 po fournie. L'extrémité libre de l'attache doit être fixée au boîtier du four à pizza à l'étape 3.



SANS TROUSSE DE GARNITURES

Instructions d'installation

2 RACCORDEMENTS ÉLECTRIQUES

AVERTISSEMENT DESTINÉ À L'INSTALLATEUR

Tous les fours encastrés électriques doivent être raccordés par câble (en ligne directe) à une boîte de jonction approuvée. L'utilisation d'une fiche et d'une prise est INTERDITE pour ce type d'appareil.

Ne raccourcissez pas le câble souple. Le collier de serrage du câble doit être bien fixé à la boîte de jonction et le câble souple doit être fermement attaché au collier de serrage. Si le câble souple ne rentre pas dans le collier de serrage, n'installez pas le four tant que vous ne disposez pas d'un collier de serrage de dimension appropriée.

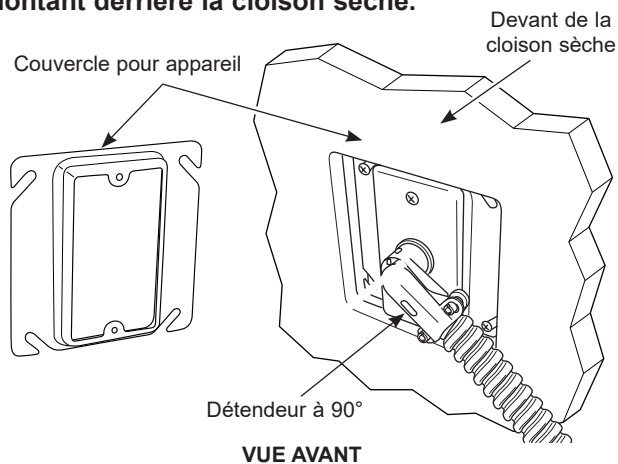
REMARQUE DESTINÉE À L'ÉLECTRICIEN : Les 3 fils fournis avec cet appareil sont homologués UL pour un raccordement à des systèmes électriques résidentiels de calibre supérieur. L'isolation de ces 3 fils est certifiée pour une utilisation à des températures très supérieures à la température nominale d'un système électrique résidentiel. La capacité de transport actuelle du conducteur dépend du calibre du câble et de la température nominale de son isolation.

⚠ AVERTISSEMENT

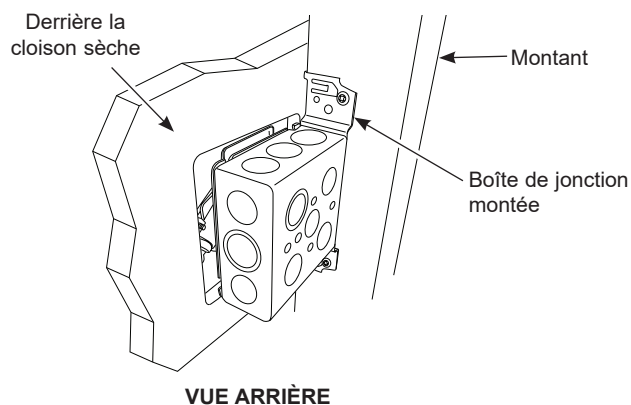
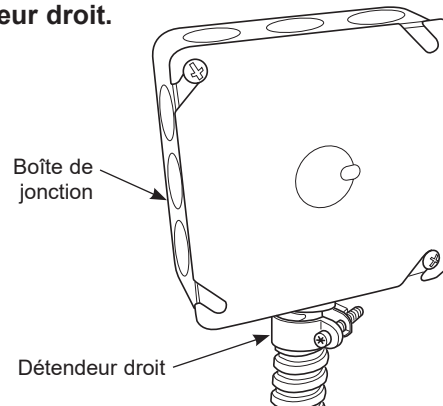
Un raccordement incorrect du câblage en aluminium du domicile à des fils en cuivre présente un risque de nature électrique et peut entraîner un incendie. N'utilisez que des connecteurs conçus pour le raccordement du cuivre à l'aluminium et suivez attentivement les instructions de leur fabricant.

OPTIONS D'INSTALLATION RECOMMANDÉES

Option 1 – Une boîte de jonction avec un couvercle pour appareil et un détendeur de 90° montée sur un montant derrière la cloison sèche.



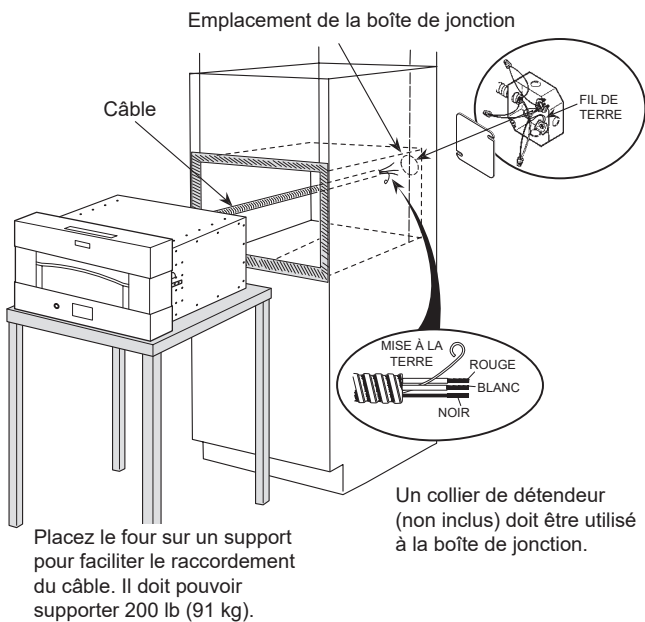
Option 2 – Une boîte de jonction standard avec un détendeur droit.



Instructions d'installation

2 RACCORDEMENTS ÉLECTRIQUES (suite)

1. Coupez le courant par l'entremise du disjoncteur ou retirez les fusibles du circuit de dérivation du four.
2. Avec le four posé sur une table ou une plateforme devant l'ouverture de l'armoire, raccordez le câble souple à la boîte de jonction électrique comme illustré ci-dessous. Le câble doit être positionné de façon à ce qu'il repose en formant une boucle naturelle dans la cavité de câble derrière l'appareil lorsque le four sera installé. Vous devez acheter un collier de détendeur approprié pour terminer le raccordement du câble à la boîte de jonction.



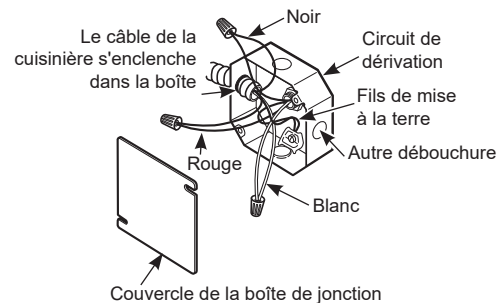
A NOUVELLE CONSTRUCTION ET RACCORDEMENT À UN CIRCUIT DE DÉRIVATION À QUATRE CONDUCTEURS

- Lorsque vous faites l'installation dans une nouvelle construction,
- une maison mobile,
- un véhicule récréatif, ou
- lorsque les codes locaux ne permettent pas la mise à la terre par le biais du conducteur neutre :

REMARQUE : Si les fils d'alimentation ou de mise à la terre du domicile sont des conducteurs en aluminium, reportez-vous à l'AVERTISSEMENT de la page 9.

Lorsque vous faites un raccordement à un circuit de dérivation à quatre conducteurs, si les codes locaux le permettent :

1. Détachez le fil neutre (blanc) des autres fils. Au besoin, coupez le fil neutre (blanc) et dénudez-le à nouveau pour exposer la bonne longueur de conducteur.
2. Raccordez le fil de terre de l'appareil (fil vert ou fil de cuivre nu) conformément aux codes locaux.



3. À l'aide d'un capuchon de connexion, raccordez le fil neutre (blanc) du four au fil neutre (blanc ou gris) du circuit de dérivation, conformément aux codes locaux.
4. À l'aide de capuchons de connexion, raccordez les fils rouge et noir du four aux fils rouge et noir du circuit de dérivation, conformément aux codes locaux.
5. Installez un collier de détendeur approprié.
6. Installez le couvercle de la boîte de jonction.

Instructions d'installation

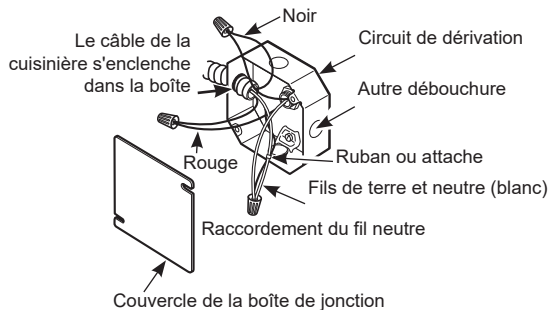
2 RACCORDEMENTS ÉLECTRIQUES (suite)

B RACCORDEMENT À UN CIRCUIT DE DÉRIVATION À TROIS CONDUCTEURS

REMARQUE : Si les fils du domicile sont des conducteurs en aluminium, reportez-vous à l'AVERTISSEMENT de page 9.

Lorsque vous faites un raccordement à un circuit de dérivation à trois conducteurs, si les codes locaux le permettent :

1. À l'aide d'un capuchon de connexion, raccordez le conducteur de terre du four avec le fil neutre (blanc) au fil neutre du circuit de dérivation (blanc ou gris).

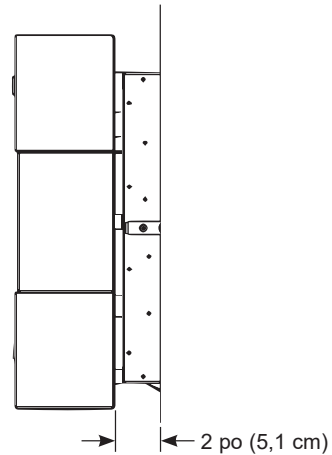


2. À l'aide de capuchons de connexion, raccordez les fils rouge et noir du four aux fils rouge et noir du circuit de dérivation, conformément aux codes locaux.
3. Installez un collier de détendeur approprié.
4. Installez le couvercle de la boîte de jonction.

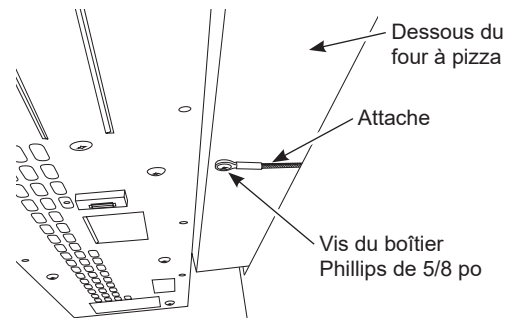
3 INSTALLATION DU FOUR DANS L'ARMOIRE

A SANS TROUSSE DE GARNITURES

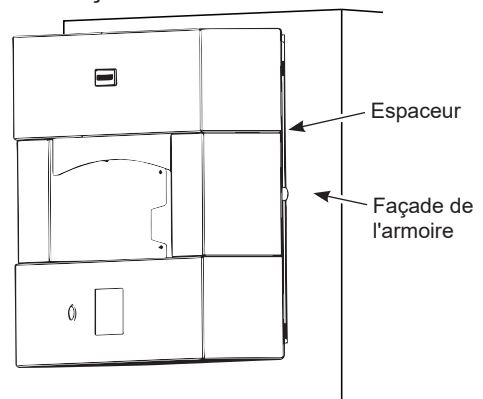
1. Soulevez le four pour le mettre dans l'ouverture de l'armoire, en le tenant par le fond. Ne soulevez pas le four par son ouverture.



2. Glissez soigneusement le four dans la découpe jusqu'à ce qu'il soit à environ 2 po de la façade de l'armoire.
3. L'extrémité libre de l'attache doit être fixée au-dessous du boîtier du four à pizza avec la vis d'assemblage Phillips de 5/8 po fournie.



4. Terminez l'insertion du four dans l'armoire. Le four est complètement installé lorsque les espaceurs touchent la façade de l'armoire.

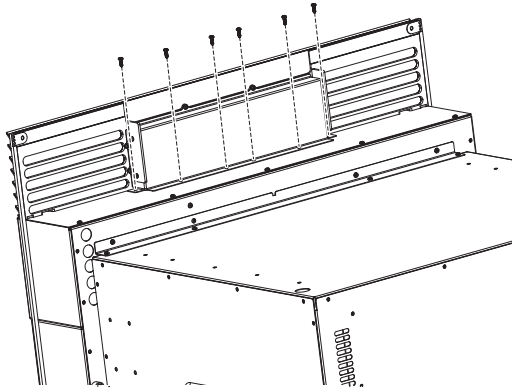


Instructions d'installation

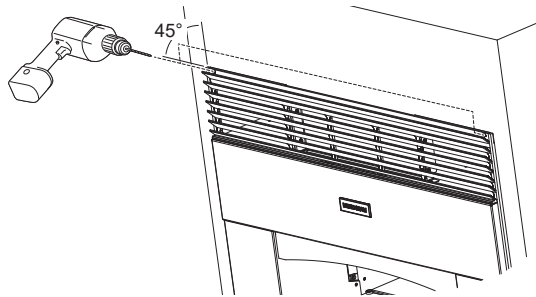
3 INSTALLATION DU FOUR DANS L'ARMOIRE (suite)

B AVEC TROUSSE DE GARNITURES

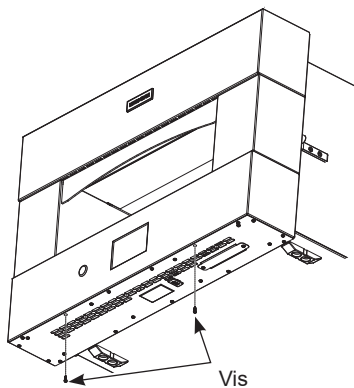
1. Avant de soulever le four à la découpe dans l'armoire, enlevez les six vis de l'évent supérieur et fixez la grille supérieure avec les mêmes vis, comme illustré.



2. Soulevez le four pour le mettre dans l'ouverture de l'armoire, en le tenant par le fond. Ne soulevez pas le four par son ouverture.
3. Glissez soigneusement le four dans la découpe jusqu'à ce que la grille supérieure touche légèrement la façade de l'armoire. **REMARQUE** : Ne poussez pas trop, car vous risquez d'endommager la grille supérieure.
4. Prépercez des trous de montage pour la grille supérieure dans l'armoire avec une mèche de 3/32 po en utilisant le trou dans la garniture comme guide.

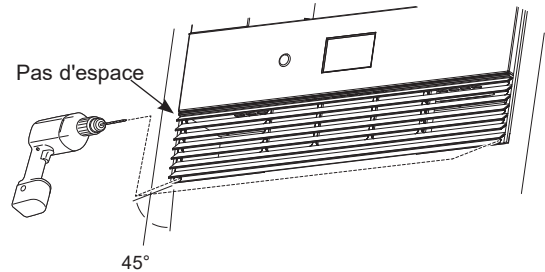


5. Retirez les deux vis du bas.



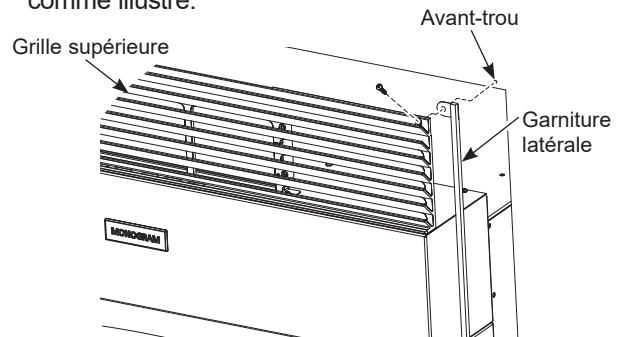
3 INSTALLATION DU FOUR DANS L'ARMOIRE (suite)

6. Alignez la grille inférieure en alignant les poteaux dans le four à pizza et prépercez les trous de montage avec une mèche de 3/32 po en veillant à ce qu'il n'y ait pas d'espace entre la grille et le four.

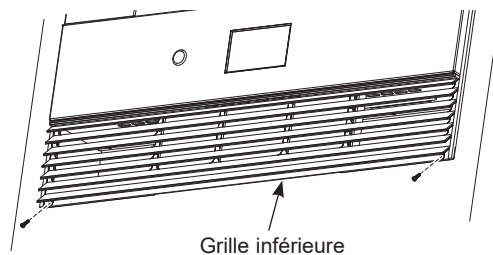
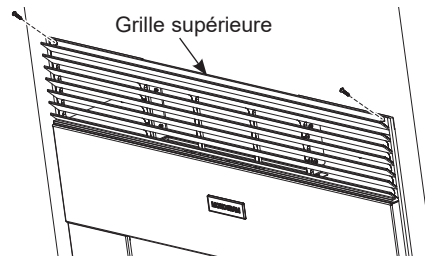


REMARQUE : Un morceau de ruban à masquer de 2 po de large sur 30 po de long peut servir à maintenir la grille contre le fond du four lors du perçage des trous de montage.

7. En commençant par le haut, attachez les grilles et la garniture latérale avec les vis Phillips de 3/4 po fournies et les trous de 3/32 po percés précédemment, comme illustré.



REMARQUE : Le four est montré écarté de l'armoire aux fins de clarté pour l'assemblage. La garniture latérale doit être installée avec le four et la grille contre le cadre de l'armoire.

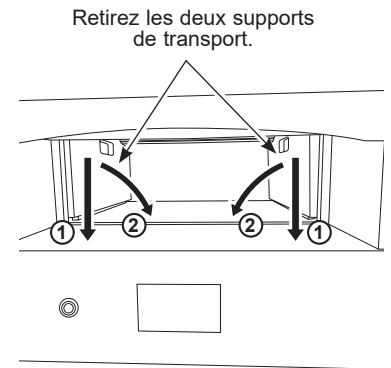
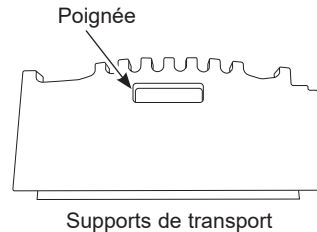


Notes

Instructions d'installation

LISTE DE VÉRIFICATION AVANT ESSAI

- Retirez toute la pellicule protectrice, le cas échéant.
- Vérifiez que les fils sont bien fixés et qu'ils ne sont pas coincés.
- Enlevez les supports de transport de la plateforme de cuisson comme suit :
 1. Tirez sur le support de transport par la poignée.
 2. Faites pivoter le support de transport vers la plateforme de cuisson.
 3. Retirez-le du four et jetez-le.



LISTE DE VÉRIFICATION DU FONCTIONNEMENT

IMPORTANT :

- Retirez tous les objets du four.
- Vérifiez que le câble est bien raccordé à la boîte de jonction.
- Mettez le four sous tension (reportez-vous à votre Manuel de l'utilisateur). Vérifiez que toutes les fonctions de cuisson fonctionnent correctement.
- Vérifiez que le disjoncteur est enclenché ou que le fusible du circuit n'est pas grillé.
- Consultez le Manuel de l'utilisateur pour des renseignements supplémentaires.

REMARQUE DESTINÉE À L'ÉLECTRICIEN : Les fils fournis avec cet appareil sont homologués UL pour un raccordement à des systèmes électriques résidentiels de calibre supérieur. L'isolation de ces fils est certifiée pour une utilisation à des températures très supérieures à la température nominale d'un système électrique résidentiel. La capacité de transport actuelle du conducteur dépend du calibre du câble et de la température nominale de son isolation.

REMARQUE : CÂBLAGE EN ALUMINIUM

- A. **⚠ AVERTISSEMENT** UN RACCORDEMENT INCORRECT DU CÂBLAGE EN ALUMINIUM DU DOMICILE À DES FILS EN CUIVRE PRÉSENTE UN RISQUE DE NATURE ÉLECTRIQUE OU PEUT ENTRAÎNER UN INCENDIE.
- B. Raccordez des fils en cuivre à un câblage en aluminium en utilisant des connecteurs homologués UL et conçus pour le raccordement du cuivre à l'aluminium et suivez attentivement les instructions de leur fabricant.

REMARQUE : Les fils utilisés, l'emplacement des raccords et l'enceinte dans laquelle ils sont mis (etc.) doivent être conformes à une bonne installation électrique et aux codes locaux.