

Owner's Manual

30" Convection Wall Oven

ZET1P – Single Wall Oven
ZET1S – Single Wall Oven
ZET2P – Double Wall Oven
ZET2S – Double Wall Oven

Four mural à convection de 76 cm (30 po)

Manuel du propriétaire
ZET1P – Four mural simple
ZET1S – Four mural simple
ZET2P – Four mural double
ZET2P – Four mural double

La section française commence à la page 43

Horno de convección de pared de 30"

Manual del propietario
ZET1P – Horno de pared simple
ZET1S – Horno de pared simple
ZET2P – Horno de pared doble
ZET2P – Horno de pared doble

La sección en español empieza en la página 85

49-80720

04-14 GE
Printed in the United States
monogram.com



Consumer Information

Wall Oven

Introduction

Your new Monogram wall oven makes an eloquent statement of style, convenience and kitchen planning flexibility. Whether you chose it for its purity of design, assiduous attention to detail— or for both of these reasons—you'll find that your Monogram wall oven's superior blend of form and function will delight you for years to come.

Your Monogram wall oven was designed to provide the flexibility to blend in with your kitchen cabinetry. Its sleek design can be beautifully integrated into the kitchen.

The information on the following pages will help you operate and maintain your wall oven properly.

Contents

Care and Cleaning

Broiler Pan and Grid	33
Oven Door	35, 37
Oven Lights	36
Probe	35
Racks	34

Consumer Services

Important Phone Numbers	41
Model and Serial Number	3
Problem Solver	38, 39
Product Registration	3
Safety Instructions	4–6
Warranty	42

Oven

Aluminum Foil	10, 13, 22
Baking	12
Broiling	13, 14
Clock	28
Controls	8, 9, 12, 14, 16, 18, 19, 20, 22, 25, 26, 27
Control Lockout	28
Convection Cooking	17–22
Features	7
Probe	9, 15, 16, 20, 35
Proofing	25
Racks	11
Sabbath Feature	32
Self-Cleaning Instructions	26, 27
Special Features	30–32
Thermostat Adjustment	30
Timed Cooking	23, 24
Timer	29

Remove packaging tape

Carefully grasp a corner of the protective shipping film with your fingers and slowly peel it from the appliance surface. Do not use any sharp items to remove the film. Remove all of the film before using the appliance for the first time.

To assure no damage is done to the finish of the product, the safest way to remove the adhesive from packaging tape on new appliances is an application of a household liquid dishwashing detergent. Apply with a soft cloth and allow to soak.

NOTE: The adhesive must be removed from all parts. It cannot be removed if it is baked on.

Consumer Information

Wall Oven

Before using your wall oven

Read this manual carefully. It is intended to help you operate and maintain your new wall oven properly.

Keep it handy for answers to your questions.

If you don't understand something or need more help, there is a list of toll-free consumer service numbers included in the back section of this manual.

OR

Visit our Website at: monogram.com

Write down the model & serial numbers

You'll find them on a label on the front left trim behind the oven door.

Fill out and return the Consumer Product Registration Card that is packed with this product.

Before sending in this card, please write these numbers here:

Model Number

Serial Number

Use these numbers in any correspondence or service calls concerning your wall oven.

If you received a damaged wall oven

Immediately contact the dealer (or builder) that sold you the wall oven.

Save time & money

Before you request service, check the Problem Solver in the back of this manual.

It lists causes of minor operating problems that you can correct yourself.

If you need service

To obtain service, see the Consumer Services page in the back of this manual.

We're proud of our service and want you to be pleased. If for some reason you are not happy with the service you receive, here are two steps to follow for further help.

FIRST, contact the people who serviced your appliance. Explain why you are not pleased. In most cases, this will solve the problem.

NEXT, if you are still not pleased, write all the details—including your phone number—to:

Manager, Customer Relations
GE Appliances
Appliance Park
Louisville, KY 40225

IMPORTANT SAFETY INSTRUCTIONS

IMPORTANT SAFETY NOTICE

- The California Safe Drinking Water and Toxic Enforcement Act requires the Governor of California to publish a list of substances known to the state to cause cancer, birth defects or other reproductive harm, and requires businesses to warn customers of potential exposure to such substances.
- The fiberglass insulation in self-clean ovens gives off a very small amount of carbon monoxide during the cleaning cycle. Exposure can be minimized by venting with an open window or using a ventilation fan or hood.
- **IMPORTANT:** The health of some birds is extremely sensitive to the fumes given off during the self-cleaning cycle of any oven. Move birds to another well-ventilated room.

SAFETY PRECAUTIONS

When using your electrical appliances, basic safety precautions should be followed, including the following:

- Be sure all packing materials are removed from the oven before operating it to prevent fire or smoke damage should the packing material ignite.
 - Use this appliance only for its intended use as described in this Owner's Manual.
 - Be sure your appliance is properly installed and grounded by a qualified technician in accordance with the provided installation instructions.
 - Be sure the oven is securely installed in a cabinet that is firmly attached to the house structure. Never allow anyone to climb, sit, stand or hang on the oven door.
 - Have the installer show you the location of the circuit breaker or fuse. Mark it for easy reference.
 - Do not attempt to repair or replace any part of your wall oven unless it is specifically recommended in this manual. All other servicing should be referred to a qualified technician.
 - Teach children not to play with the controls or any other part of the oven.
 - Never leave the oven door open when you are not watching the oven.
 - Always keep dish towels, dish cloths, pot holders and other linens a safe distance from your oven.
 - For your safety, never use your appliance for warming or heating the room.
 - Do not store flammable materials in the oven.
 - Always keep wooden and plastic utensils and canned food a safe distance away from your oven.
 - Always keep combustible wall coverings, curtains or drapes a safe distance from your oven.
 - DO NOT STORE OR USE COMBUSTIBLE MATERIALS, GASOLINE OR OTHER FLAMMABLE VAPORS AND LIQUIDS IN THE VICINITY OF THIS OR ANY OTHER APPLIANCE.
 - Do not let cooking grease or other flammable materials accumulate in or near the wall oven.
 - Do not use water on grease fires. Never pick up a flaming pan. Turn the controls off.
- Flame in the oven can be smothered completely by closing the oven door and turning the oven off or by using a multi-purpose dry chemical or foam-type fire extinguisher.
- Do not use any type of foil or liner to cover the oven bottom or anywhere in the oven, except as described in this manual. Oven liners can trap heat or melt, resulting in damage to the product and risk of shock, smoke or fire.

IMPORTANT SAFETY INSTRUCTIONS

SAFETY PRECAUTIONS

- **Do not use aluminum foil to line oven bottom.**
Foil may trap heat from the bottom heating element, resulting in a risk of electrical shock, fire, or product damage.
- **Cook meat and poultry thoroughly**—meat to at least an INTERNAL temperature of 160°F and poultry to at least an INTERNAL temperature of 180°F. Cooking to these temperatures usually protects against foodborne illness.
- **Before performing any service, DISCONNECT THE OVEN POWER SUPPLY AT THE HOUSEHOLD DISTRIBUTION PANEL BY REMOVING THE FUSE OR SWITCHING OFF THE CIRCUIT BREAKER.**
- **Do not leave children alone**—children should not be left alone or unattended in an area where an appliance is in use. They should never be allowed to sit or stand on any part of the appliance.
- **Do not touch the heating elements or the interior surface of the oven.** These surfaces may be hot enough to burn even though they are dark in color. During and after use, do not touch, or let clothing or other flammable materials contact, any interior area of the oven; allow sufficient time for cooling first.

Potentially hot surfaces include the oven vent openings and surfaces near the openings, crevices around the oven door, the edges of the door window and metal trim parts above the door.

Remember: The inside surface of the oven may be hot when the door is opened.

- **⚠ CAUTION:** ITEMS OF INTEREST TO CHILDREN SHOULD NOT BE STORED IN CABINETS ABOVE AN OVEN—CHILDREN CLIMBING ON THE OVEN TO REACH ITEMS COULD BE SERIOUSLY INJURED.
- **Never wear loose-fitting or hanging garments while using the appliance.** Be careful when reaching for items stored over the oven. Flammable material could be ignited if brought in contact with oven heating elements and may cause severe burns.
- **Use only dry pot holders**—moist or damp pot holders on hot surfaces may result in burns from steam. Do not let pot holders touch hot heating elements. Do not use a towel or other bulky cloth.
- **Keep the oven vent unobstructed.**
- **Keep the oven free from grease buildup.**
- **Stand away from the oven when opening the oven door.** Hot air or steam which escapes can cause burns to hands, face and/or eyes.
- **After broiling, always take the broiler pan out of the oven and clean it.** Leftover grease in the broiler pan can catch fire the next time you use the pan.
- **Large scratches or impacts to glass doors can lead to broken or shattered glass.**
- **Never leave jars or cans of fat drippings in or near your oven.**

IMPORTANT SAFETY INSTRUCTIONS

SAFETY PRECAUTIONS

- **Children in walkers, or children crawling, can be attracted to the round oven door handle and may grab and open the oven door.** This can result in injury from the door being pulled open on a child, or severe burns if the oven is in use and hot.
- **Do not heat unopened food containers.** Pressure could build up and the container could burst, causing an injury.
- **Place the oven rack in the desired position while the oven is cool.** If racks must be handled when hot, do not let pot holder contact the heating elements.
- **Extending the rack to its fully open position is a convenience in lifting heavy foods.** It is also a precaution against burns from touching hot surfaces of the door or oven walls.
- **When using cooking or roasting bags in the oven, follow the manufacturer's directions.**
- **Do not use your oven to dry newspapers.** If overheated, they can catch on fire.
- **Do not use oven for a storage area.** Items stored in an oven can ignite.
- **Do not leave paper products, cooking utensils or food in the oven when not in use.**
- **Do not allow anyone to climb, stand or hang on the door.** They could damage the oven or cause severe personal injury.

SELF-CLEANING OVEN

- **Do not clean the door gasket.** The door gasket is essential for a good seal. Care should be taken not to rub, damage or move the gasket.
- **Do not use oven cleaners.** No commercial oven cleaner or oven liner protective coating of any kind should be used in or around any part of the oven. Residue from oven cleaners will damage the inside of the oven when the self-clean cycle is used.
- **Clean only parts listed in this Owner's Manual.**
- **Before self-cleaning the oven,** remove the broiler pan, grid and other cookware.
- **Be sure to wipe up excess spillage before starting the self-cleaning operation.**
- **If the self-cleaning mode malfunctions,** turn the oven off and disconnect the power supply. Have it serviced by a qualified technician.
- **The oven racks may be cleaned in the oven during the self-cleaning cycle.**
- **Never place cooking utensils, pizza or baking stones, or any type of foil or liner on the oven floor.** These items can trap heat or melt, resulting in damage to the product and risk of shock, smoke or fire.

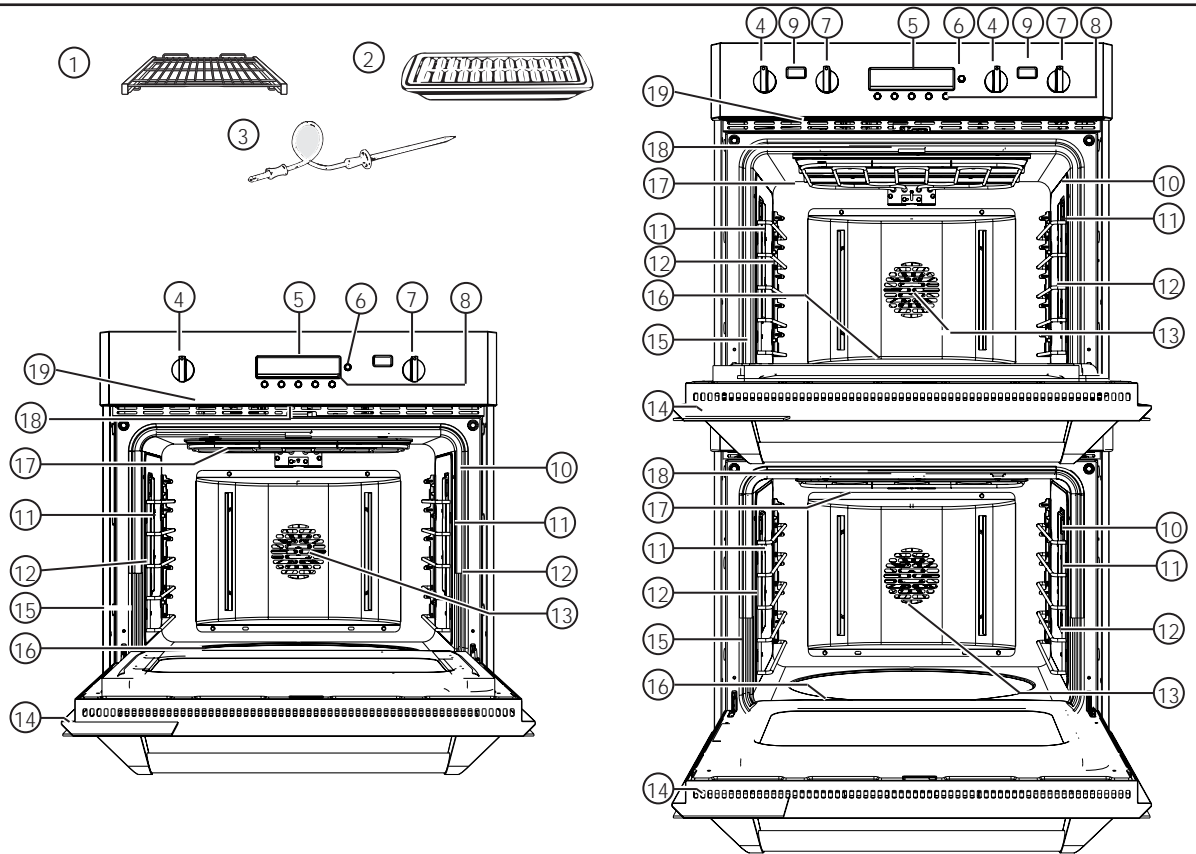
SAVE THESE INSTRUCTIONS

Features of Your Wall Oven

Wall Oven

Design information

(Not all features are on all models. Appearance may vary.)



ZET1—shown with Pro style knobs

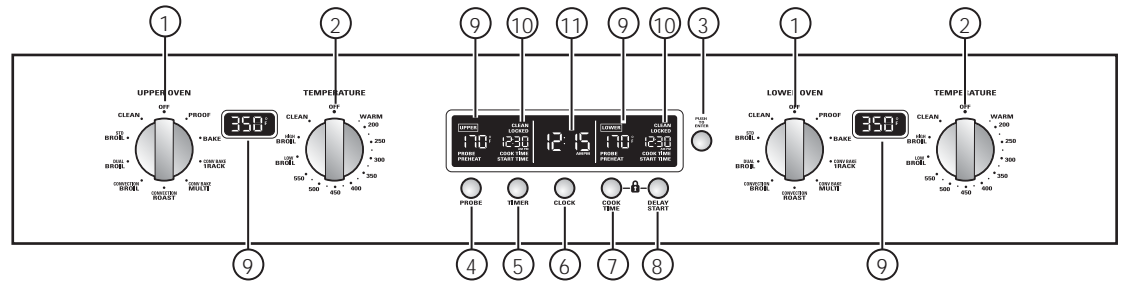
ZET2—shown with Pro style knobs

Feature Index	Page
1 Full Extension Oven Racks (3 in each oven)	10, 11, 12, 13, 14, 17, 18, 19, 20, 22, 23, 25, 34
2 Broiler Pan and Grid	19, 33
3 Probe	9, 15, 16, 20, 35
4 Oven Mode knob	9, 12, 14, 16, 18, 19, 20, 22, 25, 26, 27
5 Display	9
6 Mini-Knob – Turn to set and push to enter PROBE, TIMER, CLOCK, COOK TIME and DELAY START settings.	9, 16, 20, 23, 24, 26, 27, 28, 29, 30, 31, 32
7 Temperature knob	9, 12, 14, 16, 18, 19, 20, 22, 26, 27
8 Probe, Timer, Clock, Cook Time and Delay Start buttons. Push to select feature, turn the Mini-Knob to set and push it to enter.	9, 16, 20, 23, 24, 26, 27, 28, 29, 30, 31, 32
9 Sub-Displays – Upper and lower oven temperatures shown in their dedicated displays (on models so equipped).	—
10 Probe Outlet	15, 16, 20, 22, 26, 38, 39
11 Halogen Oven Lights	36, 38
12 Oven Rack Supports (5 positions)	11, 36
13 Convection Fan (operates during convection cooking and while preheating)	12, 13, 16, 17, 18, 19, 20, 22, 23, 26, 27, 39
14 Removable Oven Door	35
15 Oven Door Gasket	37
16 Bake Element (under the oven floor)	4, 18, 33
17 Broil Element	17, 33, 38
18 Automatic Oven Door Latch	26, 27
19 Oven Vent	5, 39

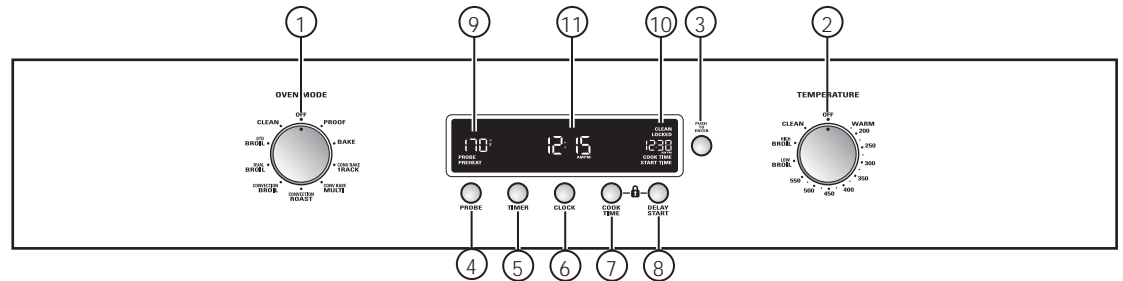
Oven Control, Clock and Timer

Wall Oven

Features of your oven control, clock and timer (Not all features are on all models. Appearance may vary.)



Double oven control – Pro style shown (Appearance may vary)



Single Oven control – Integrated style shown (Appearance may vary)

1 Oven Mode knob – Turn to select:

- PROOF** – Maintains a warm environment useful for rising yeast-leavened products.
- BAKE** – Select for traditional baking.
- CONV BAKE 1 RACK** – Use for convection baking on one rack.
- CONV BAKE MULTI** – Use for convection baking on multiple racks.
- CONV ROAST** – Use for convection roasting.
- CONV BROIL** – Use for convection broiling.
- DUAL BROIL** – Select to provide traditional broiling for a larger food quantity.
- STD BROIL** – Select to provide traditional broiling for a smaller food quantity.
- CLEAN** – Select for the self-cleaning function. See the *Self-Cleaning Oven* section.

2 Temperature knob – Turn to select:

- Use to set baking temperatures from 200°F to 550°F.
 - WARM** – Keeps already cooked foods warm for up to 2 hours after the cooking function is finished.
 - LOW BROIL** – A lower broiling temperature is automatically set.
 - HIGH BROIL** – A higher broiling temperature is automatically set.
 - CLEAN** – The self-clean temperature is automatically set.
- ## 3 Mini-Knob
- Turn to select and push to enter PROBE, TIMER, CLOCK, COOK TIME and DELAY START settings.

- 4 PROBE** – Push to select the probe to cook food to a set internal temperature. Turn and push the Mini-Knob to set.

- 5 TIMER** – Push to select the timer function. The timer does not control oven operations. The timer can time up to 11 hours and 59 minutes. Turn and push the Mini-Knob to set.

- 6 CLOCK** – Push to enter the time of day. Turn and push the Mini-Knob to set.

- 7 COOK TIME** – Push to enter the desired length of cooking time for baking (or roasting), convection baking and convection roasting. Turn and push the Mini-Knob to set.

- 8 DELAY START** – Push to delay the start of cooking or the self-clean cycle. Turn and push the Mini-Knob to set the time you want the oven to start.

- 9 Temperature Display** – Shows the oven set temperature or probe set temperature and if the oven is preheating. (On some double wall oven models, UPPER and LOWER are displayed above their respective settings.)

NOTE: On some wall oven models, the set temperature shows in displays between their respective control knobs.

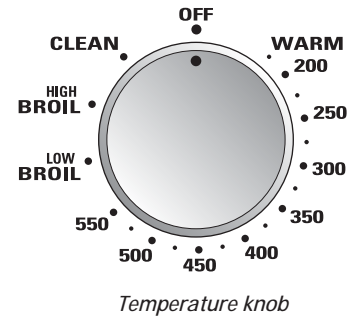
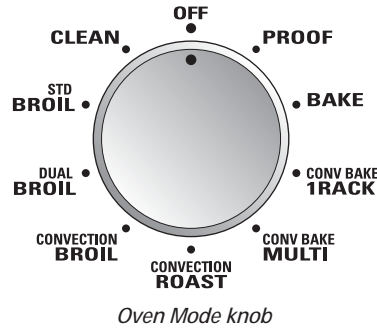
- 10 Timing and Cleaning Status Display** – If set, shows the remaining COOK TIME and the DELAY START time. Lights indicate the status of the self-clean cycle.

- 11 Time of Day Display** – Shows set time of day.

Controls Overview

Wall Oven

Introduction to the oven controls



For all modes except Proof, the oven will not operate unless both the Oven Mode and the Temperature knobs are set. See table.

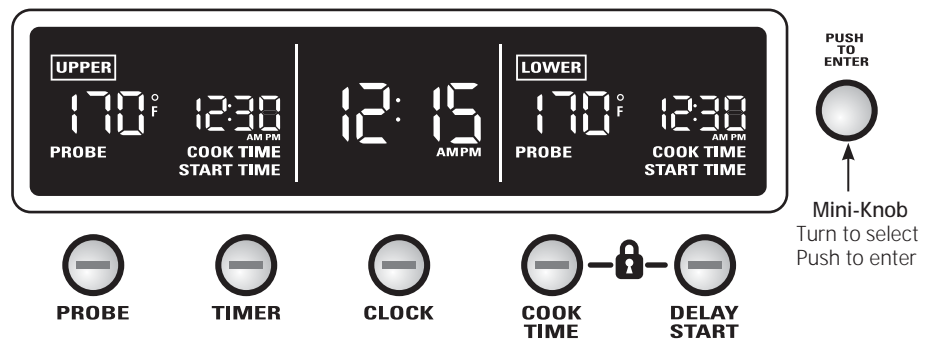
To cancel a feature, turn either the Oven Mode knob or the Temperature knob to OFF.

To cancel PROOF, turn the Oven Mode knob to OFF.

Mode Knob	Temperature Knob
PROOF	OFF
BAKE	WARM to 550°F
CONV BAKE/1 RACK	WARM to 550°F
CONV BAKE/MULTI	WARM to 550°F
CONVECTION/ROAST	WARM to 550°F
CONVECTION/BROIL	HIGH or LOW BROIL
DUAL BROIL	HIGH or LOW BROIL
STD BROIL	HIGH or LOW BROIL
CLEAN	CLEAN

Introduction to the probe temperature set and time controls

Double oven display shown



Push the PROBE, TIMER, CLOCK, COOK TIME or DELAY START buttons and set them by turning and pushing the Mini-Knob. See each respective section for details.

The Mini-Knob will select in increments of 1, 5 or 10 depending on how fast it is turned. Turn it clockwise to increase probe set temperatures and time or counterclockwise to reduce them. Push to set.

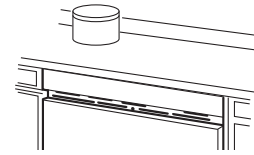
See the *Control lockout* section for how to lock and unlock the controls.

Baking Tips

Wall Oven

Oven air flow

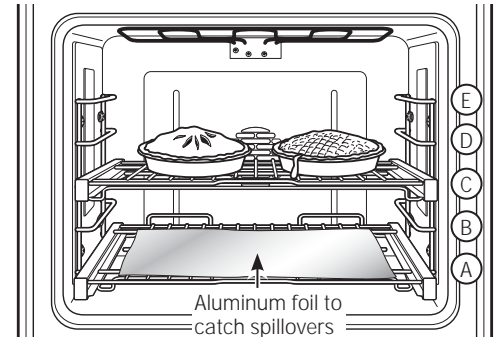
An internal cooling fan operates during all oven modes. The warm air from inside the oven will be exhausted out through vents located below the door and bottom trim.



Aluminum Foil and Oven Liners

⚠ CAUTION: Do not use any type of foil or oven liner to cover the oven bottom. These items can trap heat or melt, resulting in damage to the product and risk of shock, smoke or fire. Damage from improper use of these items is not covered by the product warranty.

Foil may be used to catch spills by placing a sheet on a lower rack, several inches below the food. Do not use more foil than necessary and never entirely cover an oven rack with aluminum foil. Keep foil at least 1-1/2" from oven walls to prevent poor heat circulation.



Note: "NO FOIL ON OVEN BOTTOM" note is enameled on the bottom of the oven cavity and is designed to withstand self-cleaning temperatures. Do not attempt to peel or scrape off.

Pan placement

For even cooking and proper browning, there must be enough room for air circulation in the oven. Baking results will be better if baking pans are centered as much as possible rather than being placed to the front or to the back of the oven.

Pans should not touch each other or the walls of the oven. Allow 1- to 1½" space between pans as well as from the back of the oven, the door and the sides. If you need to use two racks, use rack positions A and C, B and D or A and D and stagger the pans so that one is not directly above the other.

Baking pans/sheets

Use the proper baking pan. The type of finish on the pan determines the amount of browning that will occur.

- Dark, rough or dull pans absorb heat resulting in a browner, crisper crust. Use this type for pies.

- Shiny, bright and smooth pans reflect heat, resulting in a lighter, more delicate browning. Cakes and cookies require this type of pan or sheet.
- Glass baking dishes also absorb heat. When baking in glass baking dishes, the temperature may need to be reduced by 25°F.

Preheating

Allow the oven to preheat before placing food in the oven. Preheating is necessary for good results when baking cakes, cookies, pastry and breads.

To preheat, set the oven at the correct temperature. The PREHEAT light will turn on and 100°F will appear in the display. (The temperature display will start to change once the oven temperature reaches 100°F.) The convection fan will also turn on during preheating.

The control will beep when the oven is preheated—this will take approximately 10 to 15 minutes. The PREHEAT light will turn off and the display will show the set temperature.

When the PREHEAT light goes off, foods should be placed in the oven.

The type of margarine will affect baking performance!

Most recipes for baking have been developed using high-fat products such as butter or margarine (80% fat). If you decrease the fat, the recipe may not give the same results as with a higher-fat product.

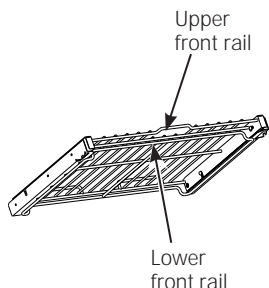
Recipe failure can result if cakes, pies, pastries, cookies or candies are made with low-fat spreads. The lower the fat content of a spread product, the more noticeable these differences become.

Federal standards require products labeled "margarine" to contain at least 80% fat by weight. Low-fat spreads, on the other hand, contain less fat and more water. The high moisture content of these spreads affect the texture and flavor of baked goods. For best results with your old favorite recipes, use margarine, butter or stick spreads containing at least 70% vegetable oil.

Before You Begin

Wall Oven

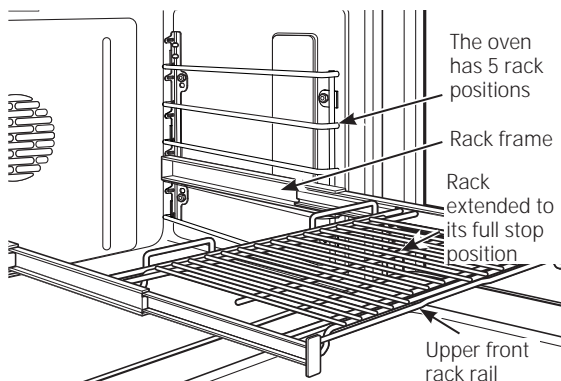
Full extension oven racks



To avoid possible burns, place the racks in the correct position before turning on the oven.

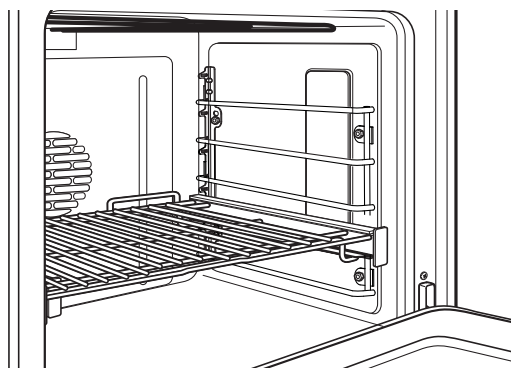
The correct rack position depends on the kind of food and the browning desired.

The racks have a frame that locks into the rack supports on both sides. Once the frame is locked into place, always pull the rack out, by its upper front rail, to its full extension stop position, when placing or removing cookware.

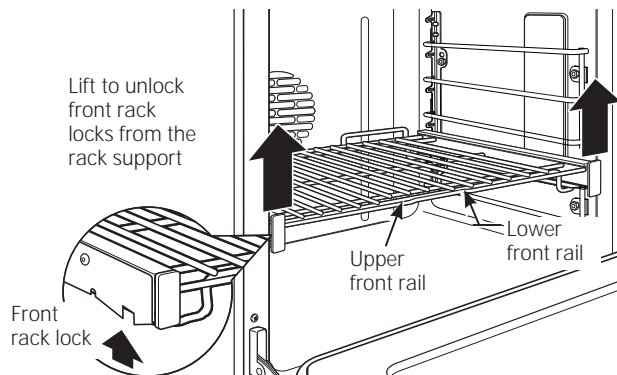


To remove a rack:

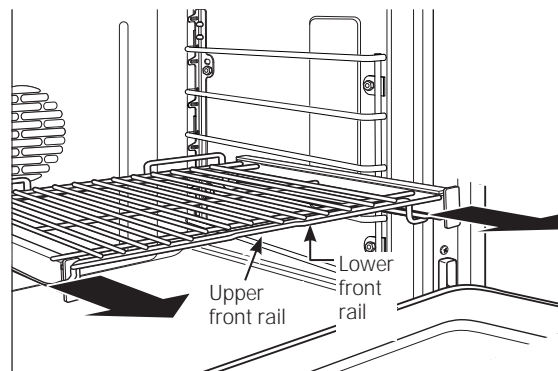
1. Make sure the rack is pushed all the way into the oven.



2. Grasp the rack by both its upper front rail and its lower front rail and lift straight up to unlock the front rack locks from the rack supports.

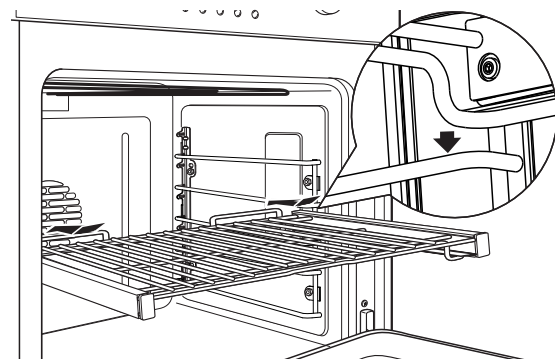


3. Firmly holding onto both the upper and lower front rack rails, pull the rack forward and remove it from the oven.

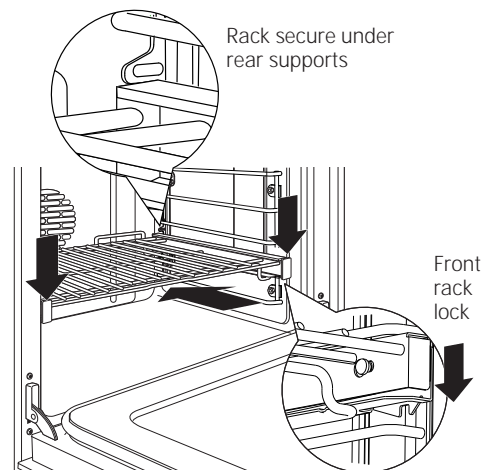


To replace a rack:

1. Place the rack onto the rack supports (five rack positions are available including the top position).



2. Slide the rack all the way in until the rack is secure under the rear rack supports and press the front rack locks onto the front rack supports. Slide the rack all the way out to ensure that the rack is latched.

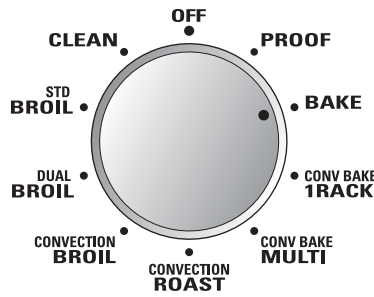


Slide the rack all the way in and push down to lock the front rack locks onto the front rack supports

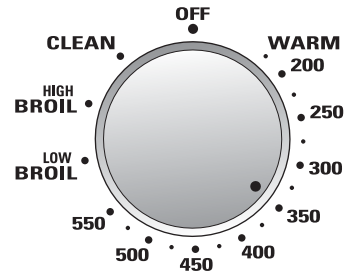
Baking

Wall Oven

How to set the oven for baking



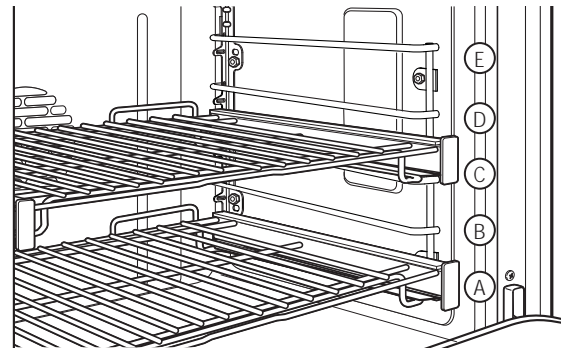
Oven Mode knob



Temperature knob

- 1 Turn the Oven Mode knob to BAKE.
- 2 Using the Temperature knob, set the desired temperature, in 25°F increments, from 200°F to 550°F.
The oven and the oven interior lights will turn on immediately and stay on until the oven is turned off.
The convection fan will turn on (after a short delay), the PREHEAT light will turn on and 100°F will appear in the display. (The temperature display will start to change once the oven temperature reaches 100°F.) The control will beep when the oven is preheated—this will take approximately 10 to 15 minutes. The PREHEAT light will turn off and the display will show the set temperature.
When the PREHEAT light goes off, place food in the oven.
- 3 Check the food for doneness at the minimum time on the recipe. Cook longer if necessary.
- 4 Turn the Oven Mode knob and the Temperature knob to OFF when baking is finished.

NOTE: A cooling fan will turn on to cool internal parts. This is normal, and the fan may continue to run even after the oven is turned off.



The oven has 5 rack positions. See the *Full extension oven racks* section for how to use, remove and replace the racks.

Type of Food	Rack Position
Angel food cake	A
Biscuits or muffins	B or C
Cookies or cupcakes	B or C
Brownies	B or C
Layer cakes	B or C
Bundt or pound cakes	A or B
Pies or pie shells	B or C
Single pie	B or C
Frozen pies	B or C (on cookie sheet)
Casseroles	B or C

Introduction to broiling

Different broil elements are used in each broil mode as described below. There are 3 different broil modes, each providing a HI and a LO setting.

- The HI setting can be used to seal in juices or provide intense browning or charring when needed (a higher rack is generally used).
- The LO setting can be used when foods need adequate browning and also need to be thoroughly cooked through (a lower rack is used for large food items such as pork tenderloin or London Broil).

Dual Broil – Both the inside and outside broil elements are used in this broil mode. Use this mode for full broiler pan food loads. See the *How to set the oven for broiling* section.

HI – Full broiler pan – hamburgers; roast vegetables such as whole peppers, eggplant, corn, assorted cut vegetables, kabobs and very thin meats such as smoked pork chops

LO – Full broiler pan – fish fillets

Std Broil – Uses the inner element only – use for smaller food loads. See the *How to set the oven for broiling* section.

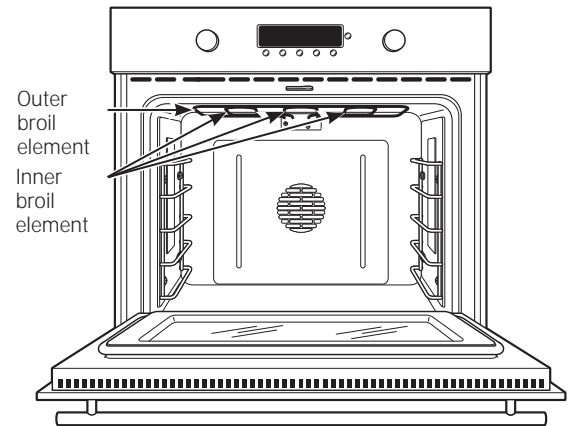
HI – Small food quantity – (2–4) hamburgers or 1/2"–1" pork chops or steaks

LO – Small food quantity – (2–4) chicken breasts or fish fillets

Convection Broil – Uses both the inside and outside broil elements and the convection fan. See the *How to set the oven for convection broiling* section.

HI – 1½"–2" thick steaks, London Broil and chicken breasts (seals in juices without overbrowning)

LO – Large pork tenderloin or beef roast (provides adequate browning along with thorough cooking)



Aluminum foil

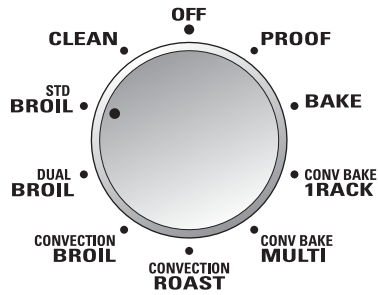
You can use aluminum foil to line the broiler pan and broiler grid. However, you must mold the foil tightly to the grid and cut slits in it just like the grid.



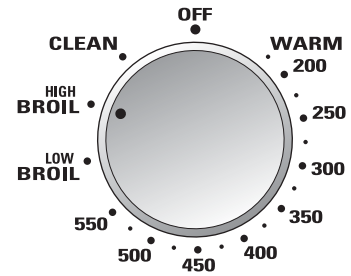
Broiling

Wall Oven

How to set the oven for broiling



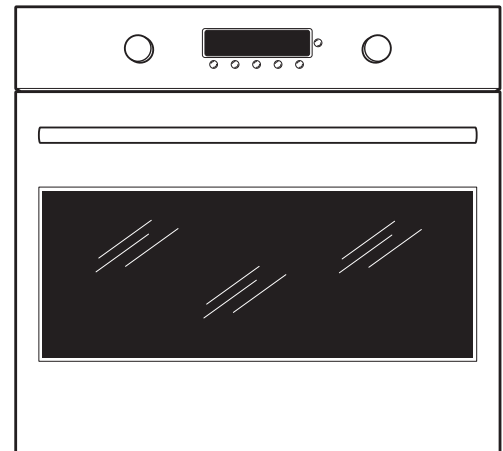
Oven Mode knob



Temperature knob

- 1 If the meat has fat or gristle around the edge, cut vertical slashes through both about 2" apart. If desired, the fat may be trimmed, leaving a layer about 1/8" thick.
- 2 Place the meat or fish on the broiler pan and grid. Always use the grid so that any fat will drip into the broiler pan; otherwise the juices may become hot enough to catch on fire.
- 3 Position rack in oven.
- 4 Close the door. *Always broil with the door closed.*
- 5 Turn the Oven Mode knob to DUAL BROIL (for larger food quantities) or STD BROIL (for smaller food quantities).
- 6 Turn the Temperature knob to LOW BROIL or HIGH Broil. The broiling temperature will be automatically set. LO or HI will appear in the display depending on the automatic broil temperature selected.
The oven and the oven interior lights will turn on immediately and stay on until the oven is turned off.
- 7 When broiling is finished, turn the Oven Mode knob and the Temperature knob to OFF.

NOTE: A cooling fan will turn on to cool internal parts. This is normal, and the fan may continue to run even after the oven is turned off.



Close the door. *Always broil with the door closed.*

The broiler does not need to be preheated for most broiling. However, foods that cook quickly, such as thin strips of meat or fish may require a short preheating period of 2 to 3 minutes to allow the food surface to brown in the same time the food takes to be cooked throughout.

Turn the food only once during broiling.

NOTE: Broil will not work if the temperature probe is plugged in. Never leave your probe inside the oven during a broil cycle.

Using the Probe for Roasting

Wall Oven

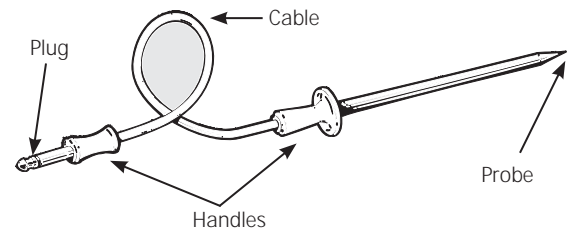
Temperature probe

For many foods, especially roasts and poultry, internal food temperature is the best test for doneness. The temperature probe takes the guesswork out of roasting by cooking foods to the exact doneness you want.

Use of probes other than the one provided with this product may result in damage to the probe.

Use the handles of the probe and plug when inserting and removing them from the meat and oven outlet.

- To avoid damaging the probe, do not use tongs to pull on the cable when removing it.
- To avoid breaking the probe, make sure food is completely defrosted before inserting.
- To prevent possible burns, do not unplug the probe from the outlet until the oven has cooled.
- Never leave the probe inside the oven during a broil or self-cleaning cycle.
- Do not store the probe in the oven.



The temperature probe has a skewer-like probe at one end and a plug at the other end that goes into the outlet in the oven.

Proper placement of the probe

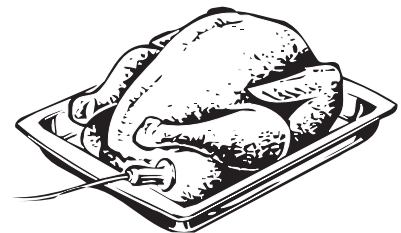
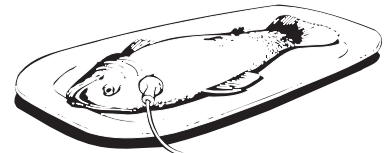
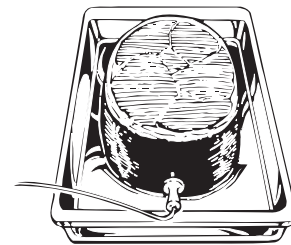
After preparing the meat and placing it on the broiler pan grid, follow these directions for proper probe placement.

- The tip of the probe should rest in the center of the thickest meaty part of the roast.
- The probe must be inserted completely into the meat, up to the handle, in order for it to read the temperature properly. It should not touch the bone, fat or gristle.

For roasts with no bone, insert the probe into the meatiest part of the roast. For bone-in ham or lamb, insert the probe into the center of the lowest large muscle or joint.

Insert the probe into the center of dishes such as meat loaf or casseroles. When cooking fish, insert the probe from just above the gill into the meatiest area, parallel to the backbone.

Insert the probe into the meatiest part of the inner thigh from below and parallel to the leg of a whole turkey.

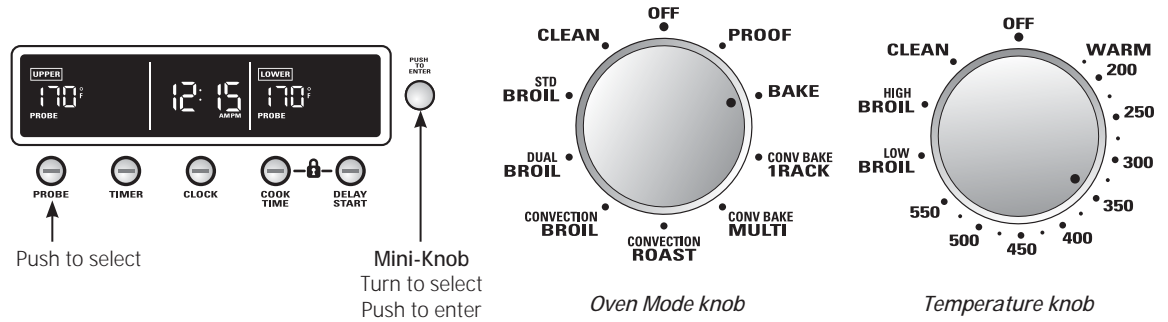


Using the Probe for Roasting

Wall Oven

How to set the oven for roasting when using the probe

Double oven display shown.



- 1 Insert the probe into the meat.
- 2 Plug the probe into the outlet in the oven. Make sure it is pushed all the way in. Close the oven door.

- 3 Push the **PROBE** button.

NOTE: On double wall oven models, the oven control will automatically set the oven that has the probe plugged into it.

- 4 Turn the Mini-Knob to select and push it to enter the desired internal food or meat temperature. The minimum and maximum internal temperatures for the food that you can enter are 100°F to 200°F.

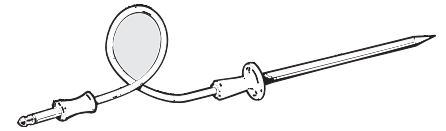
"PROBE" will flash in the display if the probe is inserted into the outlet and you have not entered a probe temperature.

- 5 Turn the Oven Mode knob to **BAKE**. For convection roasting with the probe, see the *How to set the oven for convection roasting with the probe* section.

- 6 Using the Temperature knob, set the desired oven temperature, in 25°F increments, from 200°F to 550°F.

The oven and the oven interior lights will turn on immediately and stay on until the oven is turned off.

The convection fan will turn on (after a short delay), the **PROBE** light will turn on and 100°F will appear in the display. (The temperature display will start to change once the internal temperature of the meat reaches 100°F.)



CAUTION: To prevent possible burns, do not unplug the probe from the oven outlet until the oven has cooled. Do not store the probe in the oven.

- 7 When the internal temperature of the meat reaches the number you have set, the probe and the oven turn off, **END** will show in the display and the oven control will beep. (**PROBE** will remain lit along with the probe temperature.) To stop the reminder beep, turn the Oven Mode knob and the Temperature knob to **OFF** or push the Mini-Knob. Use hot pads to remove the probe from the food. Do not use tongs to pull on it—they might damage it.

"PROBE" will flash in the display until the probe is removed from the oven receptacle.

To change the set internal food or meat (probe) temperature during the Roast cycle, push the **PROBE** button, turn the Mini-Knob to select the new temperature and push to enter it.

- You can use the timer even though you cannot use timed oven operations.

Using the Convection Oven

Wall Oven

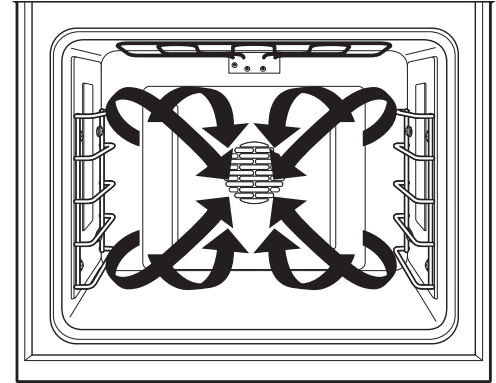
Convection fan

In a convection oven, a fan circulates hot air over, under and around the food.

This circulating hot air is evenly distributed throughout the oven cavity. As a result, foods are evenly cooked and browned—often in less time with convection heat.

NOTE: The convection fan will cycle on and off while cooking to best distribute hot air in the oven.

The convection fan shuts off when the oven door is opened. **DO NOT** leave the door open for long periods of time while using convection cooking or you may shorten the life of the convection heating element.



Cookware for convection cooking

Before using your convection oven, check to see if your cookware leaves room for air circulation in the oven. If you are baking with several pans, leave space between them. Also, be sure the pans do not touch each other or the walls of the oven.

Paper and Plastic

Heat-resistant paper and plastic containers that are recommended for use in regular ovens can be used in convection ovens. Plastic cookware that is heat-resistant to temperatures of 400°F can also be used.

NOTE: Do not allow any paper or plastic to come into contact with the upper broil element.

Metal and Glass

Any type of cookware will work in your convection oven. However, metal pans heat the fastest and are recommended for convection baking.

Darkened or matte-finished pans will bake faster than shiny pans.

Glass or ceramic pans cook more slowly.

When baking cookies, you will get the best results if you use a flat cookie sheet instead of a pan with low sides.

For recipes like oven-baked chicken, use a pan with low sides. Hot air cannot circulate well around food in a pan with high sides.

Adapting recipes

You can use your favorite recipes in the convection oven.

When convection baking, reduce baking temperature by 25°F. No temperature adjustment is necessary when convection roasting.

Use pan size recommended.

Some package instructions for frozen casseroles or main dishes have been developed using commercial convection ovens. For best results in this oven, preheat the oven and use the temperature on the package.

1-Rack convection baking

When convection baking with only 1 rack, use CONV BAKE 1 RACK and for best results place the rack on rack position B or C at the center of the oven. Cook times may decrease, so food should be checked earlier than package directions to make sure that it does not overcook.

Ideal for cooking large casseroles and lasagna with good results.

Multi-rack convection baking

Because heated air is circulated evenly throughout the oven, foods can be baked with excellent results using multiple racks.

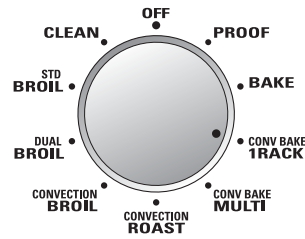
The amount of time required for multi-rack baking may increase slightly for some foods, but overall time is saved because two to three times as much food is cooked at once.

Cookies, muffins, biscuits and other quick breads give good results with multi-rack baking.

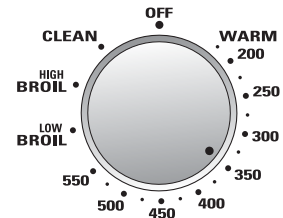
Convection Baking

Wall Oven

How to set the oven for convection baking



Oven Mode knob



Temperature knob

Convection Baking is ideal for evenly browned baked foods cooked on single or multiple racks.

When set on Convection Bake, the rear bake element and the fan operate whenever the oven is heating.

- 1 Turn the Oven Mode knob to CONV BAKE/1 RACK (Convection Bake 1-Rack mode) for 1-rack convection baking. This mode is used for cooking food items on only 1 rack in convection bake.

Turn the Oven Mode knob to CONV BAKE/MULTI (Convection Bake Multi mode) for multi-rack convection baking. This mode is used for cooking food items on more than one rack (i.e. 2, 3 or more racks) at the same time in Convection Bake. See the *Multi-rack convection baking* section for more information.

- 2 Using the Temperature knob, set the desired temperature, in 25°F increments, from 200°F to 550°F.

The oven and the oven interior lights will turn on immediately and stay on until the oven is turned off.

The convection fan will turn on (after a short delay), the PREHEAT light will turn on and 100°F will appear in the display. (The temperature display will start to change once the oven temperature reaches 100°F.) The control will beep when the oven is preheated—this will take approximately 10 to 15 minutes. The PREHEAT light will turn off and the display will show the set temperature.

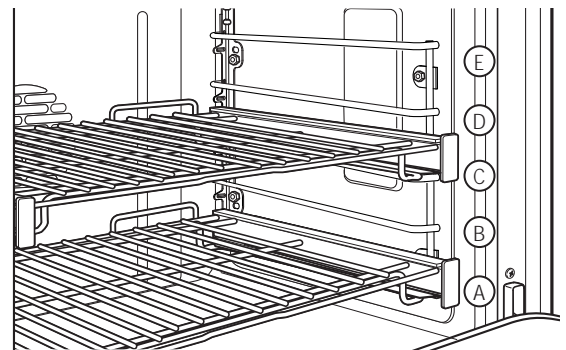
When the PREHEAT light goes off, place food in the oven.

- 3 Check the food for doneness at the minimum time on the recipe. Cook longer if necessary.
- 4 Turn the Oven Mode knob and the Temperature knob to OFF when convection cooking is finished.

NOTE: A cooling fan will turn on to cool internal parts. This is normal, and the fan may continue to run even after the oven is turned off.

Type of Food	Rack Position
Biscuits (1 rack)	B or C
Biscuits (2 racks)	A & C or B & D
Muffins and Cupcakes (1 rack)	B or C
Muffins and Cupcakes (2 racks)	A & C or B & D
Cookies (1 rack)	B or C
Cookies (3 racks)	A, C & E
2-Layer Cakes (1 rack)	B or C
4-Layer Cakes (2 racks)	A & C or B & D
1 Frozen Pie (1 rack)	B or C (on cookie sheet)
2 Frozen Pies (2 racks)	A & C or B & D (on cookie sheet)
Casseroles (1 rack)	B or C
12" Frozen Pizza (1 rack)	B or C
2–12" Frozen Pizzas (2 racks)	A & C or B & D
Roasting (large cuts of meat, turkeys, etc.)	A, B or C

NOTE: These rack positions are suggestions—use racks which give best results. Racks A and D are another suggestion.

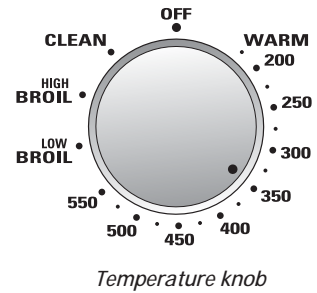
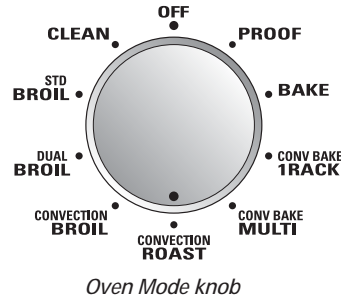


The oven has 5 rack positions. See the *Full extension oven racks* section for how to use, remove and replace the racks.

Convection Roasting

Wall Oven

How to set the oven for convection roasting



Convection Roasting is good for roasting large tender cuts of meat, uncovered.

- 1 Turn the Oven Mode knob to CONVECTION ROAST.
- 2 Using the Temperature knob, set the desired temperature, in 25°F increments, from 200°F to 550°F.

The oven and the oven interior lights will turn on immediately and stay on until and the oven is turned off.

The convection fan will turn on (after a short delay), the PREHEAT light will turn on and 100°F will appear in the display. (The temperature display will start to change once the oven temperature reaches 100°F.) The control will beep when the oven is preheated—this will take approximately 10 to 15 minutes. The PREHEAT light will turn off and the display will show the set temperature.

- 3 Check the food for doneness at the minimum time on the recipe. Cook longer if necessary.
- 4 Turn the Oven Mode knob and the Temperature knob to OFF when convection cooking is finished.

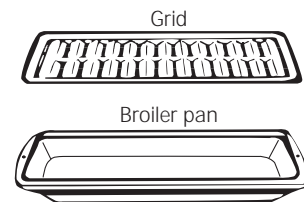
NOTE: A cooling fan will turn on to cool internal parts. This is normal, and the fan may continue to run even after the oven is turned off.

Convection roasting tips

Using the broiler pan and grid provided, heated air will be circulated over, under and around the food being roasted. The heated air seals in juices quickly for a moist and tender interior while, at the same time, creating a rich golden brown exterior.

When you are convection roasting, it is important that you use the broiler pan and grid. The pan is used to catch grease spills and the grid is used to prevent grease spatters and allow heated air to circulate under the meat and increase browning on the underside of the meat or poultry.

- Place the grid on the broiler pan.



Convection Roasting with the Probe

Wall Oven

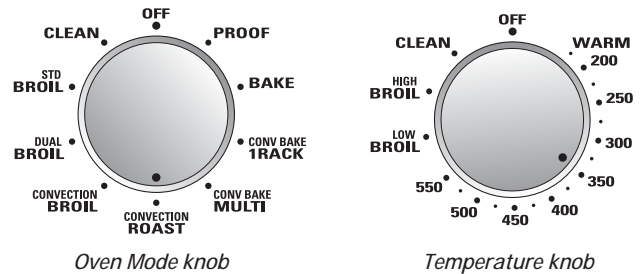
How to set the oven for convection roasting with the probe

Double oven display shown.



Push to select

Mini-Knob
Turn to select
Push to enter



Oven Mode knob

Temperature knob

See the *Convection roasting tips* section.

- 1 Place the rack in the desired rack position and insert the probe into the meat.
- 2 Plug the probe into the outlet in the oven. Make sure it is pushed all the way in. Close the oven door.

- 3 Push the **PROBE** button.

NOTE: On double wall oven models, the oven control will automatically set the oven that has the probe plugged into it.

- 4 Turn the Mini-Knob to select and push it to enter the desired internal food or meat temperature. The minimum and maximum internal temperatures for the food that you can enter are 100°F to 200°F.

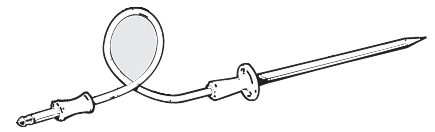
"PROBE" will flash in the display if the probe is inserted into the outlet and you have not entered a probe temperature.

- 5 Turn the Oven Mode knob to CONVECTION ROAST.

- 6 Using the Temperature knob, set the desired oven temperature, in 25°F increments, from 200°F to 550°F.

The oven and the oven interior lights will turn on immediately and stay on until the oven is turned off.

The convection fan will turn on (after a short delay), the PROBE light will turn on and 100°F will appear in the display. (The temperature display will start to change once the internal temperature of the meat reaches 100°F.)



CAUTION: To prevent possible burns, do not unplug the probe from the oven outlet until the oven has cooled. Do not store the probe in the oven.

- 7 When the internal temperature of the meat reaches the number you have set, the probe and the oven turn off, END will show in the display and the oven control will beep. (PROBE will remain lit along with the probe temperature.) To stop the reminder beep, turn the Oven Mode knob and the Temperature knob to OFF or push the Mini-Knob. Use hot pads to remove the probe from the food. Do not use tongs to pull on it—they might damage it.

"PROBE" will flash in the display until the probe is removed from the oven receptacle.

To change the set internal food or meat (probe) temperature during the Roast cycle, push the **PROBE** button, turn the Mini-Knob to select the new temperature and push to enter it.

- If the probe is removed from the food before the final temperature is reached, a tone will sound and the display will flash until the probe is removed from the oven.
- You can use the timer even though you cannot use timed oven operations.

Convection Roasting

Wall Oven

Convection roasting guide

Meats		Minutes/Lb.	Oven Temp.	Internal Temp.	
Beef	Rib, Boneless Rib, Top Sirloin (3 to 5 lbs.)	Rare	20-24	325°F	140°F†
		Medium	24-28	325°F	160°F
		Well	28-32	325°F	170°F
	Beef Tenderloin	Rare Medium	10-14 14-18	325°F 325°F	140°F† 160°F
Pork	Bone-in, Boneless (3 to 5 lbs.)		23-27	325°F	170°F
	Chops (1/2 to 1" thick)	2 chops	30-35 total	325°F	170°F
		4 chops	35-40 total	325°F	170°F
6 chops		40-45 total	325°F	170°F	
Ham	Canned, Butt, Shank (3 to 5 lbs.) (fully cooked)		14-18	325°F	140°F
Lamb	Bone-in, Boneless (3 to 5 lbs.)	Medium	17-20	325°F	160°F
		Well	20-24	325°F	170°F
Seafood	Fish, whole (3 to 5 lbs.)		30-40 total	400°F	
	Lobster Tails (6 to 8 oz. each)		20-25 total	350°F	
Poultry	Whole Chicken (2½ to 3½ lbs.)		24-26	350°F	180°-185°F
	Cornish Hens Unstuffed (1 to 1½ lbs.) Stuffed (1 to 1½ lbs.)		50-55 total	350°F	180°-185°F
			55-60 total	350°F	180°-185°F
	Duckling (4 to 5 lbs.)		24-26	325°F	180°-185°F
	Turkey, whole*	Unstuffed (10 to 16 lbs.)		8-11	325°F
Unstuffed (18 to 24 lbs.)			7-10	325°F	180°-185°F
	Turkey Breast (4 to 6 lbs.)		16-19	325°F	170°F

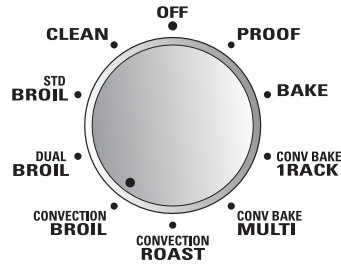
* Stuffed birds generally require 30-45 minutes additional roasting time. Shield legs and breast with foil to prevent over-browning and drying of skin.

† The U.S. Department of Agriculture says "Rare beef is popular, but you should know that cooking it to only 140°F means some food poisoning organisms may survive." (Source: Safe Food Book. Your Kitchen Guide. USDA Rev. June 1985.)

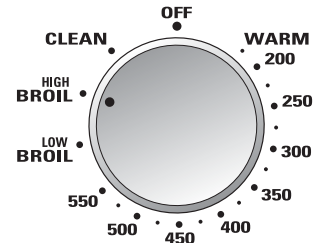
Convection Broiling

Wall Oven

How to set the oven for convection broiling



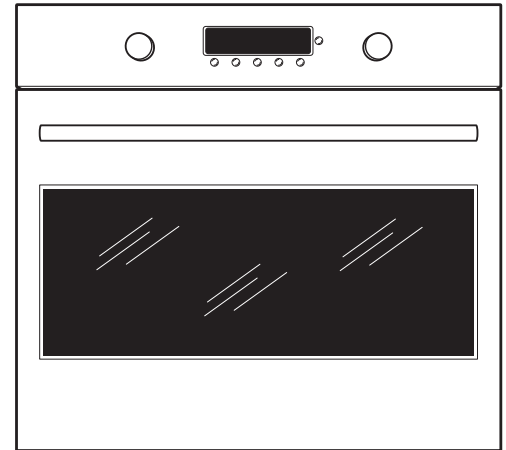
Oven Mode knob



Temperature knob

Convection Broil is good for broiling fish or smaller cuts of meat. When set at Convection Broil, both top elements operate whenever heating.

- 1 If the meat has fat or gristle around the edge, cut vertical slashes through both about 2" apart. If desired, the fat may be trimmed, leaving a layer about 1/8" thick.
- 2 Place the meat or fish on the broiler pan and grid. Always use the grid so that any fat will drip into the broiler pan; otherwise the juices may become hot enough to catch on fire.
- 3 Position rack in oven.
- 4 Close the door. **Always broil with the door closed.**
- 5 Turn the Oven Mode knob to CONVECTION BROIL.
- 6 Turn the Temperature knob to LOW BROIL or HIGH Broil. The broiling temperature will be automatically set. LO or HI will appear in the display depending on the automatic broil temperature selected.
The oven and the oven interior lights will turn on immediately and stay on until the oven is turned off.
The convection fan will turn on (after a short delay).
- 7 When broiling is finished, turn the Oven Mode knob and the Temperature knob to OFF.



Close the door. **Always broil with the door closed.**

NOTE: A cooling fan will turn on to cool internal parts. This is normal, and the fan may continue to run even after the oven is turned off.

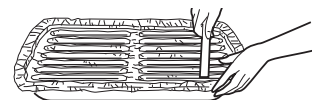
The broiler does not need to be preheated for most broiling. However, foods that cook quickly, such as thin strips of meat or fish, may require a short preheating period of 2 to 3 minutes to allow the food surface to brown in the same time the food takes to be cooked throughout.

Turn the food only once during broiling.

NOTE: Convection broil will not work if the temperature probe is plugged in. Never leave your probe inside the oven during a broil cycle.

Aluminum foil

You can use aluminum foil to line the broiler pan and broiler grid. However, you must mold the foil tightly to the grid and cut slits in it just like the grid.

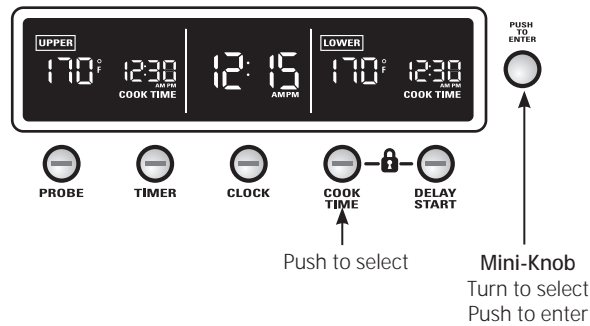


Timed Cooking

Wall Oven

Timed cooking (immediate start and automatic stop)

Double oven display shown.



Timed cooking allows you to set the oven to turn on immediately, cook for a selected length of time and turn off automatically.

To set the oven to turn on immediately and turn off automatically:

NOTE: Before beginning, make sure the clock shows the correct time of day.

To avoid possible burns, place the racks in the correct position before turning on the oven.

- 1 Turn the Oven Mode knob to the desired cooking function.

NOTE: Timed cooking cannot be set for the Broil or Proof features.

- 2 Using the Temperature knob, set the desired temperature, in 25°F increments, from 200°F to 550°F.

The oven and the oven interior lights will turn on immediately and stay on until the oven turns off.

The convection fan will turn on (after a short delay), the PREHEAT light will turn on and 100°F will appear in the display. (The temperature display will start to change once the oven temperature reaches 100°F.) The control will beep when the oven is preheated—this will take approximately 10 to 15 minutes. The PREHEAT light will turn off and the display will show the set temperature.

When the PREHEAT light goes off, place food in the oven.

- 3 Push the **COOK TIME** button.

NOTE: If your recipe requires preheating, you may need to add additional time to the length of cooking time (approximately 10 to 15 minutes).

- 4 Turn the Mini-Knob to select and push it to enter the desired length of cooking time. (The maximum cooking time is 9 hours and 59 minutes. The minimum cooking time is 1 minute.)

The display will show **COOK TIME** and the cooking time countdown.

NOTE: The cook time countdown will start immediately.

The oven will continue to cook for the programmed amount of time, then turn off automatically.

To recall the cook time, push the **COOK TIME** button. To change it, turn and push the Mini-Knob.

- 5 At the end of timed cooking, the oven will turn off, 0:00 will flash quickly, **END** will show in the display and the oven control will beep. To stop the reminder beep, turn the Oven Mode knob and the Temperature knob to **OFF**.

NOTE:

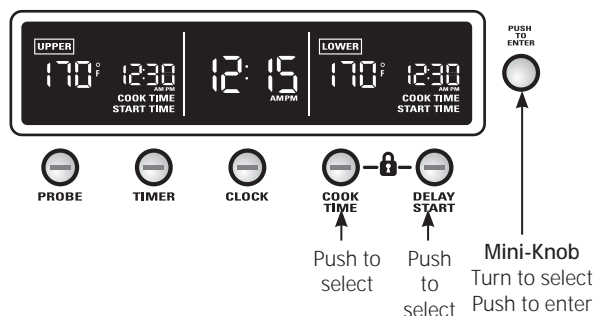
- The **WARM** (175° shows in the display) temperature setting of this oven is available to keep hot cooked foods warm. Food kept in the oven longer than two hours at these low temperatures may not be safe to eat.
- Foods that spoil easily, such as milk, eggs, fish, stuffings, poultry and pork, should not be allowed to sit for more than one hour before or after cooking. Room temperature promotes the growth of harmful bacteria.

Timed Cooking

Wall Oven

Timed cooking (delayed start and automatic stop)

Double oven display shown.



Timed cooking with DELAY START allows you to set the oven to turn on at the time of day you set, cook for a selected length of time and turn off automatically. DELAY START cannot be used with the Sabbath feature.

To delay the start of cooking:

NOTE: Before beginning, make sure the clock shows the correct time of day.

To avoid possible burns, place the racks in the correct position before turning on the oven.

NOTE: Timed cooking cannot be set for the Broil or Proof features.

- 1 Push the **DELAY START** button. The current time of day will flash in the display.

*On double oven models, push the **DELAY START** button once to set the upper oven and twice to set the lower oven.*

- 2 Turn the Mini-Knob to select and push it to enter the time of day you want the oven to turn on and start cooking.
- 3 Push the **COOK TIME** button.

NOTE: If your recipe requires preheating, you may need to add additional time to the length of cooking time (approximately 10 to 15 minutes).

- 4 Turn the Mini-Knob to select and push it to enter the desired length of cooking time. (The maximum cooking time is 9 hours and 59 minutes. The minimum cooking time is 1 minute.)
- 5 Turn the Oven Mode knob to the desired cooking function.
- 6 Using the Temperature knob, set the desired temperature, in 25°F increments, from 200°F to 550°F.

To recall the start time, push the **DELAY START** button. To change it, turn and push the Mini-Knob.

To recall the cook time, push the **COOK TIME** button. To change it, turn and push the Mini-Knob.

The display will return to the time of day and show **START TIME** indicating the oven is set. When the start time is reached the oven and the oven interior lights will turn on.

NOTE: The cook time countdown will start when the delay start time is reached. The display will show **COOK TIME** and the cooking time countdown.

The oven will continue to cook for the programmed amount of time, then turn off automatically.

- 7 At the end of timed cooking, the oven will turn off, 0:00 will flash quickly, **END** will show in the display and the oven control will beep. To stop the reminder beep, turn the Oven Mode knob and the Temperature knob to OFF.

*On double oven models, you can use timed baking in both ovens at the same time. Turn the Oven Mode knob and the Temperature knob of the second oven to the desired settings. Push the **COOK TIME** button and turn and push the Mini-Knob to enter. Push the **DELAY START** button and turn and push the Mini-Knob to enter.*

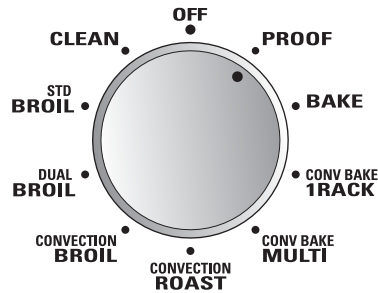
NOTE:

- The WARM (175° shows in the display) temperature setting of this oven is available to keep hot cooked foods warm. Food kept in the oven longer than two hours at these low temperatures may not be safe to eat.
- Foods that spoil easily, such as milk, eggs, fish, stuffings, poultry and pork, should not be allowed to sit for more than one hour before or after cooking. Room temperature promotes the growth of harmful bacteria.

Proofing

Wall Oven

How to set the oven for proofing



Oven Mode knob

The proofing feature maintains a warm environment useful for rising yeast-leavened products.

Place the covered dough in a dish in the oven on rack A.

- 1 Turn the Oven Mode knob to PROOF. The display will show PrF (proof). Proofing will not operate when oven is above 125°F. The display will show “too hot”. Allow the oven time to cool.

NOTE: For best results, cover the dough with a cloth or with greased plastic wrap (the plastic may need to be anchored underneath the front of the container so the oven fan will not blow it off).

The proofing feature automatically provides the optimum temperature for the proofing process; therefore the Temperature knob does not affect the proof temperature.

The oven interior lights cycle on and off until the Oven Mode knob has been turned to OFF.

- 2 Set the TIMER for the minimum proof time, as a reminder to check food.
 - 3 When proofing is finished, turn the Oven Mode knob to OFF.
- To avoid lowering the oven temperature and lengthening proofing time, do not open the oven door unnecessarily.
 - Check bread products early to avoid over-proofing.

NOTE: Do not use the proofing mode for warming food or keeping food hot. The proofing oven temperature is not hot enough to hold foods at safe temperatures.

The WARM temperature setting of this oven is available to keep hot cooked foods warm. Food kept in the oven longer than two hours at these low temperatures may not be safe to eat.

Self-Cleaning Oven

Wall Oven

Before a clean cycle

The oven door must be closed and all controls must be set correctly for the self-clean cycle to work properly.

We recommend venting your kitchen with an open window or using a ventilation fan or hood during the first self-clean cycle.

- Clean soil from the frame around the oven door and outside the door gasket. These areas must be cleaned by hand.
- Do not clean the door gasket by hand as this could damage it.
- Wipe up excess grease and other food spills with a damp cloth. This will minimize the amount of smoke created during self-cleaning.
- Remove all cookware, broiler pan, grid, probe and any aluminum foil from the oven.
- The oven racks may be left in the oven during the self-clean cycle.
- Make sure the oven light lens and lens frame are in place.
- Do not use commercial oven cleaners,

abrasives or oven protectors in or near the self-cleaning oven.

IMPORTANT: The health of some birds is extremely sensitive to the fumes given off during the self-cleaning cycle of any oven. Move birds to another well-ventilated room.

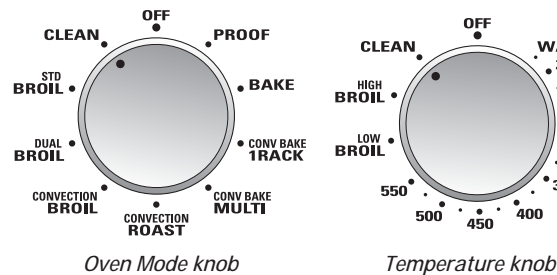
NOTE: Self-Clean will not work if the temperature probe is plugged in or if the Sabbath feature is set.

CAUTION: Never place cooking utensils or any other items on the oven floor. There is a heating element beneath the oven floor. Placing items on the oven floor may cause the oven to overheat, resulting in damage to the oven and risk of damage or fire to cabinets.

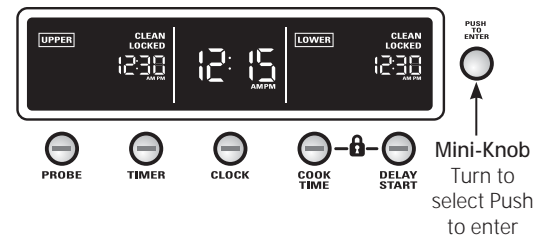
On double oven models, you can set a clean cycle in both ovens at the same time. The last oven set will automatically delay its start until the end of the first oven's clean cycle.

On double oven models, you can use timed baking in one oven and self-clean in the other at the same time.

How to set the oven for cleaning



Double oven display shown.



- 1 Turn the Oven Mode knob to CLEAN.
- 2 Turn the Temperature knob to CLEAN.

The oven is set to clean for its normal clean time of 5 hours. (If a clean time less than 5 hours is needed, turn the Mini-Knob to the clean time desired.) Push to enter it.

You can change the clean time to any time between 3 and 5 hours, in 15 minute increments, depending on the amount of soil in your oven.

NOTE: The Mini-Knob must be pushed for the self-clean cycle to start.

If your oven is connected to a 208V electrical supply, we recommend that you set your clean time for 5 hours.

If LOCKED flashes in the display, the self-clean cycle has been selected but the door is not closed. Close the oven door.

The display will show CLEAN and the clean time remaining.

As the oven heats to the clean temperature, the door will lock automatically. The LOCKED light will turn on. The display will show the clean time remaining. It will not be possible to open the oven door until the temperature drops below the lock temperature and the LOCKED light goes off.

- 3 After the clean cycle is complete and the oven has cooled, END will show in the display and the LOCKED light will turn off. Turn the Oven Mode knob and the Temperature knob to OFF.

To stop a clean cycle, turn the Oven Mode knob and the Temperature knob to OFF. When the LOCKED light goes off, indicating the oven has cooled below the locking temperature, you will be able to open the door.

Self-Cleaning Oven

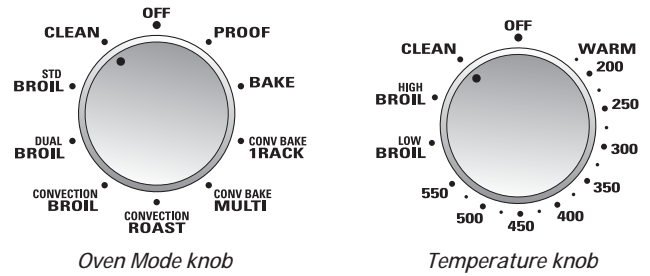
Wall Oven

How to delay the start of cleaning

Double oven display shown.



Push to select
Mini-Knob
Turn to select
Push to enter



You can set the oven to delay the start of cleaning, clean for a selected length of time and turn off automatically.

NOTE: Before beginning, make sure the clock shows the correct time of day.

- 1 Turn the Oven Mode knob to CLEAN.
- 2 Turn the Oven Temperature knob to CLEAN.

The oven will be set to clean for its normal clean time of 5 hours. (If a clean time less than 5 hours is needed, turn the Mini-Knob to the clean start time desired.) Push to enter it.

You can change the clean time to any time between 3 and 5 hours, in 15 minute increments, depending on the amount of soil in your oven.

NOTE: The Mini-Knob must be pushed for the self-clean cycle to be set.

- 3 Push the **DELAY START** button. The current time of day will flash in the display.

*On double oven models, push the **DELAY START** button once to set the upper oven and twice to set the lower oven.*

- 4 Turn the Mini-Knob to select and push it to enter the time of day you want the oven to turn on and start cleaning.

NOTE: The Mini-Knob must be pushed for the self-clean cycle to be set to start at the time of day entered.

The oven is now set to turn on at the time of day you set and clean for the set amount of clean time.

If your oven is connected to a 208V electrical supply, we recommend that you set your clean time for 5 hours.

If LOCKED flashes in the display, the self-clean cycle has been selected but the door is not closed. Close the oven door.

To check the start time, push the DELAY START button. To change it, turn and push the Mini-Knob.

The display will show START TIME. When the start time is reached, the oven will turn on automatically.

The display will show CLEAN and the clean time remaining.

As the oven heats to the clean temperature, the door will lock automatically. The LOCKED light will turn on.

The display will show the clean time remaining. It will not be possible to open the oven door until the temperature drops below the lock temperature and the LOCKED light goes off.

- 5 After the clean cycle is complete and the oven has cooled, END will show in the display and the LOCKED light will turn off. Turn the Mode Selector and the Temperature knobs to OFF.

To stop a clean cycle, turn the Mode Selector and the Temperature knobs to OFF. When the LOCKED light goes off, indicating the oven has cooled below the locking temperature, you will be able to open the door.

NOTE: On double oven models, you can set a delay clean in both ovens at the same time. Turn the Oven Mode knob and the Temperature knob of the second oven to CLEAN. The second oven set will automatically delay the start of cleaning until the end of the first oven's clean cycle.

After a clean cycle

You may notice some white ash in the oven. Wipe it up with a damp cloth after the oven cools.

If white spots remain, remove them with warm sudsy water and rinse thoroughly with a vinegar and water mixture. These deposits are usually a salt residue that cannot be removed by the clean cycle.

If the oven is not clean after one clean cycle, repeat the cycle.

You cannot set the oven for cooking until the oven is cool enough for the door to unlock.

Clock and Control Lockout Features

Wall Oven

Power failure

If a flashing time of day is in the display, you have experienced a power failure. Reset the clock.

Clock

The clock must be set for the automatic oven timing functions to work properly.

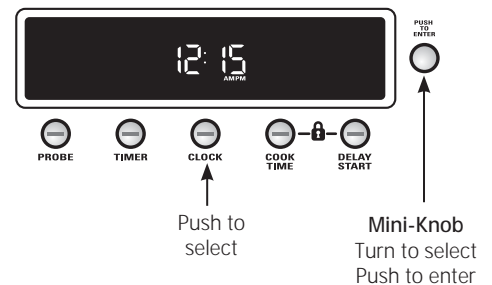
The time of day clock **cannot** be changed during Delay Start. (It can be changed during a regular bake or broil operation.)

To set the clock

- 1 Push the **CLOCK** button.
- 2 Turn the Mini-Knob to select the time of day and push it to enter.

NOTE: While setting, the time will roll around from AM to PM.

Double oven display shown.



Control lockout

Allows you to lock out all controls so that the Oven Mode knob, Temperature knob and the control panel buttons cannot be activated when set.

NOTE: On double oven models, this activates this feature for both ovens.

To lock/unlock the controls:

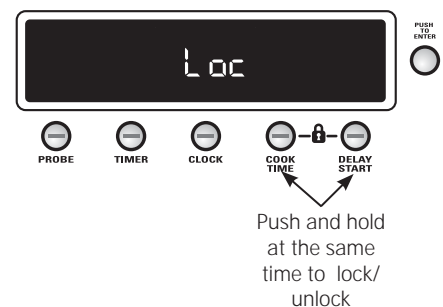
- 1 Push and hold the **COOK TIME** and **DELAY START** buttons at the same time for 3 seconds until the control beeps and the display shows "Loc." After locking the controls, the time of day will appear in the display.
- 2 To unlock, push and hold the **COOK TIME** and **DELAY START** buttons at the same time. ("Loc" will appear in the display). Hold for 3 seconds until the control beeps and "Loc" disappears from the display.

When this feature is on and the controls are attempted to be set, the display will show "Loc."

NOTES:

- If locked while a cooking, cleaning or timed function are in operation, they will be cancelled.
- The adjustment will be retained in memory after a power failure.

Double oven display shown.



Timer Feature

Wall Oven

Timer

NOTE: The timer is independent of all the other functions and it does not control the oven.

You may program the timer to time cooking or other household activities for up to 11 hours and 59 minutes.

To set the timer:

- 1 Push the **TIMER** button.
- 2 Turn the Mini-Knob to select the length of time for the timer up to 11 hours and 59 minutes and push to enter it.

*On double oven models, a second timer may be set by pressing the **TIMER** button twice.*

The timer display will show hours and minutes counting down 1 minute at a time from 24 hours to 1 hour. It will then change to show minutes and seconds counting down until the last minute is reached. The control will beep and the display will show seconds until the timer counts down to :00.

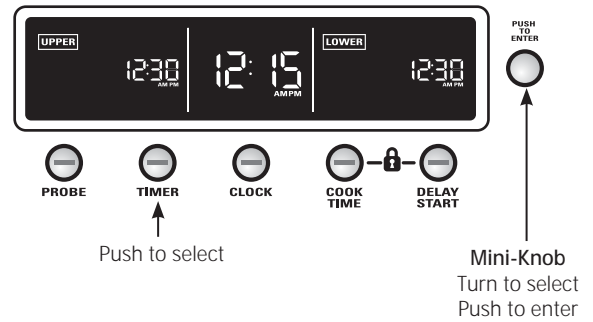
When the timer reaches :00, the control will beep 3 times followed by one beep every 6 seconds until the **TIMER** button is pushed.

The 6-second tone can be cancelled by following the steps in *Tones at the end of a timed cycle* in the *Special Features* section.

To cancel the timer:

- 1 Push the **TIMER** button.
- 2 Turn the Mini-Knob to :00 and push to enter.

Double oven display shown.



Special Features

Wall Oven

Special features of your oven control

Your oven has additional Special Features that you may choose to use.

They remain in the control's memory until the steps are repeated. The Special Features will remain in memory after a power failure.

Either the Oven Mode knob and/or the Temperature knob must be turned to OFF.

On double oven models, either the Oven Mode knob

or the Temperature knob will have to be turned to OFF for each oven.

NOTE: While in the Special Features mode, if the Mini-Knob is not pushed to enter a choice after 60 seconds, the mode will be cancelled (without changes) and the time of day will return to the display.

The following are the features and how you may activate them.

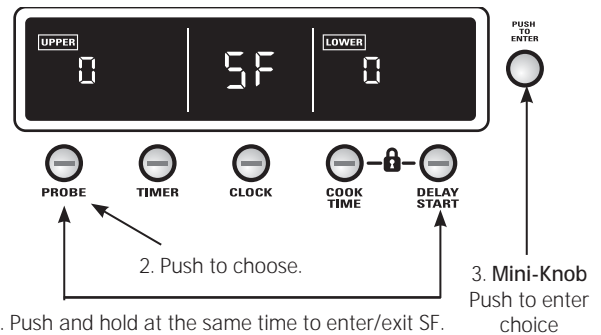
Oven thermostat adjustment

You may find that your new oven cooks differently than the one it replaced. Use your new oven for a few weeks to become more familiar with it. If you still think your new oven is too hot or too cold, you can adjust the thermostat yourself.

To adjust the oven thermostat:

- 1 Push and hold the **PROBE** and **DELAY START** buttons at the same time for 4 seconds until the display shows SF (Special Features).
- 2 Push the **PROBE** button. A "0" will show in the display.
*On double wall oven models, a "0" will show in both the upper and lower oven displays. Push the **PROBE** button a 2nd time ("UPPER" will show in the display) to set the upper oven, and push **PROBE** a 3rd time ("LOWER" will show in the display) to set the lower oven.*
- 3 Turn the Mini-Knob to adjust the oven thermostat up to 35°F hotter or (-) 35°F cooler in 1°F increments.
- 4 Push the Mini-Knob to enter your choice.

Double oven display shown.



- 5 Push and hold the Mini-Knob for 5 seconds to exit SF (Special Features) and return to the time of day clock.

Do not use thermometers, such as those found in grocery stores, to check the temperature setting of your oven. These thermometers may vary 20–40 degrees.

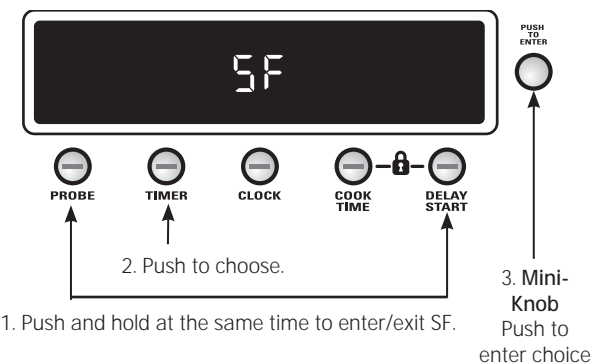
NOTE: This adjustment will only affect baking temperatures; it does not affect broiling or self-cleaning temperatures. The adjustment will be retained in memory after a power failure.

Tones at the end of a timed cycle

At the end of a timed cycle, 3 short beeps will sound followed by one beep every 6 seconds until the **TIMER** button is pushed. This continuous 6-second beep may be cancelled. To cancel the 6-second beep:

- 1 Push and hold the **PROBE** and **DELAY START** buttons at the same time for 4 seconds until the display shows SF (Special Features).
- 2 Push the **TIMER** button to choose between:
con SF bEEP – Continuous Beeps – Reminder beeps will sound after a timed cycle has ended until the **TIMER** button is pushed.
SF bEEP – No beeps – The reminder beeps after a timed cycle is cancelled.
- 3 Push the Mini-Knob to enter your choice.
- 4 Push and hold the Mini-Knob for 5 seconds to exit SF (Special Features) and return to the time of day clock.

Double oven display shown.



NOTE: On double oven models, this cancels the end-of-cycle tone for both ovens.

Special Features

Wall Oven

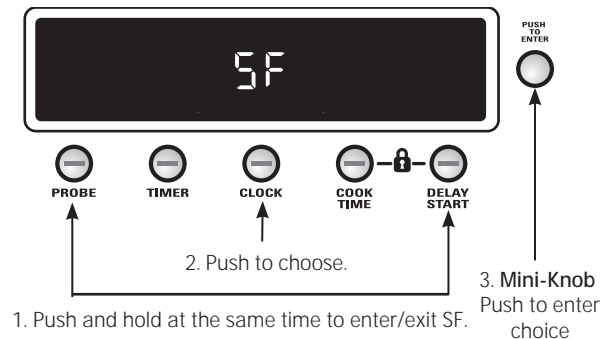
12-hour, 24-hour or clock blackout

Your control is set to use a 12-hour clock. If you would prefer to have a 24-hour military time clock or black out the clock display, follow the steps below.

- 1 Push and hold the **PROBE** and **DELAY START** buttons at the same time for 4 seconds until the display shows SF (Special Features).
- 2 Push the **CLOCK** button to choose between:
 - 12 hr – 12 hour clock with AM and PM.
 - 24 hr – 24 hour clock – military time.
 - OFF – blacks out the clock from the display.
- 3 Push the Mini-Knob to enter your choice.
- 4 Push and hold the Mini-Knob for 5 seconds to exit SF (Special Features).

NOTE: If the clock is in the black-out mode, you will not be able to use the Delay Start function.

Double oven display shown.



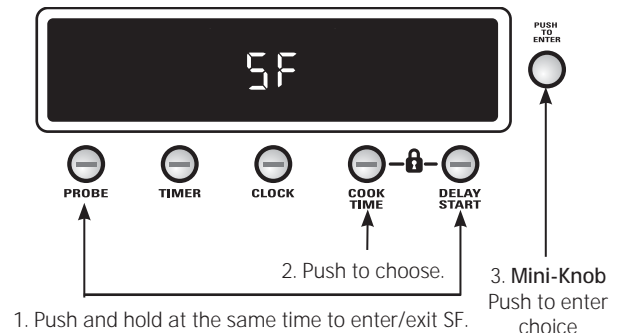
Tone volume

This feature allows you to adjust the tone volumes to a more acceptable volume. There are three possible volume levels.

- 1 Push and hold the **PROBE** and **DELAY START** buttons at the same time for 4 seconds until the display shows SF (Special Features).
- 2 Push the **COOK TIME** button to choose between:
 - 1 SF bEEP – Quietest Beep Volume.
 - 2 SF bEEP – Middle Beep Volume.
 - 3 SF bEEP – Loudest Beep Volume.
- 3 Push the Mini-Knob to enter your choice.
- 4 Push and hold the Mini-Knob for 5 seconds to exit SF (Special Features) and return to the time of day clock.

NOTE: On double oven models, this activates this special feature for both ovens.

Double oven display shown.



Special Features

Wall Oven

Sabbath Feature, 12-hour shut-off or no shut-off

With this feature, should you forget and leave the oven on, the control will automatically turn off the oven after 12 hours during baking functions. If you wish to turn off this feature, follow the steps below.

- 1 Push and hold the **PROBE** and **DELAY START** buttons at the same time for 4 seconds until the display shows SF (Special Features).
- 2 Push the **DELAY START** button to choose between:
 - 12 SF Shdn** – The oven will automatically turn off after 12 hours.
 - no SF Shdn** – The oven will not automatically turn off after 12 hours.

SAbbAth – Designed for use on the Jewish Sabbath and Holidays.

The Sabbath feature can be used for baking/roasting only. It cannot be used for convection, broiling, self-cleaning or Delay Start cooking.

When the Sabbath Feature is set, the oven light and all audible beeps will be disabled and \Rightarrow will appear in the display. The feature will also provide a random delay period, of approximately 30 seconds to 1 minute, before the oven will turn on once it is set to BAKE. \Rightarrow will appear in the display, indicating that the oven is baking/roasting.

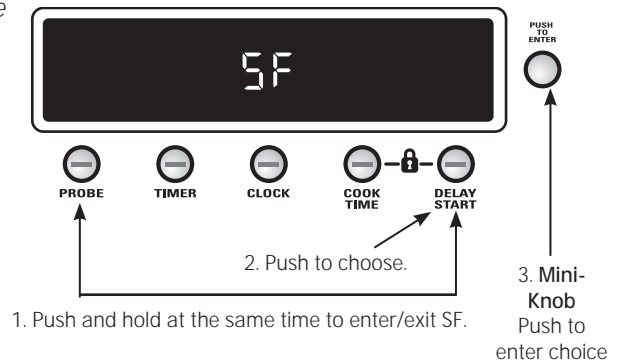
The Timed cooking feature may be used in Sabbath Mode. To use the Timed cooking feature, set the Cook Time and the temperature before entering the Special Features mode and selecting SAbbAth.

The Delay start feature cannot be used in Sabbath mode.

- 3 Push the Mini-Knob to enter your choice.
- 4 Push and hold the Mini-Knob for 5 seconds to exit SF (Special Features) and return to the time of day clock.

NOTE: On double oven models, this activates this special feature in both ovens.

Double oven display shown.



Care and Cleaning

Wall Oven

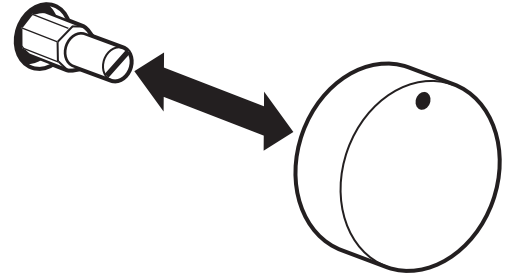
BE SURE ELECTRICAL POWER IS OFF AND ALL SURFACES ARE COOL BEFORE CLEANING ANY PART OF THE OVEN.

Control panel and knobs

Clean up spatters with a damp cloth. Remove heavier soil with warm, soapy water.

Do not use abrasives of any kind on the control panel or knobs.

The control knobs may be removed for easier cleaning. To remove a knob, pull it straight off the stem. Wash the knobs in soap and water but do not soak.



NOTE: The Mini-Knob is not removable.

Oven heating elements

Do not clean the broil element. Any soil will burn off when the element is heated.

The bake element is not exposed and is under the oven floor. If spillovers, residue or ash accumulate on the oven floor, wipe up before self-cleaning.

Broiler pan and grid

After broiling, remove the broiler pan and grid from the oven. Remove the grid from the pan. Carefully pour out the grease from the pan into a proper container. Wash and rinse the broiler pan and grid in hot water with a soap-filled or plastic scouring pad.

If food has burned on, sprinkle the grid with detergent while hot and cover with wet paper towels or a dishcloth. Soaking the pan will remove burned-on foods.

The broiler pan and grid may be cleaned with a commercial oven cleaner.

The broiler pan and grid can also be cleaned in the dishwasher.

Do not store a soiled broiler pan or grid anywhere in the oven.

⚠ CAUTION: Do not clean the broiler pan or grid in a self-cleaning oven.

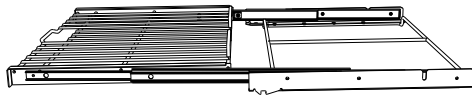


Oven racks

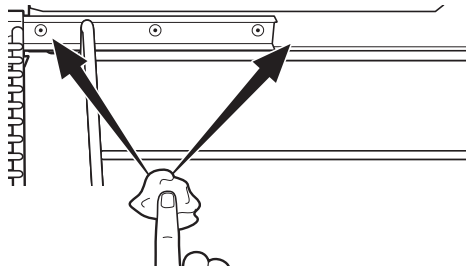
The racks may remain in the oven during the self-cleaning cycle without being damaged.

Periodically, after several self-clean cycles, the oven racks may need to be lubricated using the Graphite Lubrication shipped with your wall oven. To order additional Graphite Lubrication, call our National Parts Center **800.626.2002** and reference **WB02T10303**.

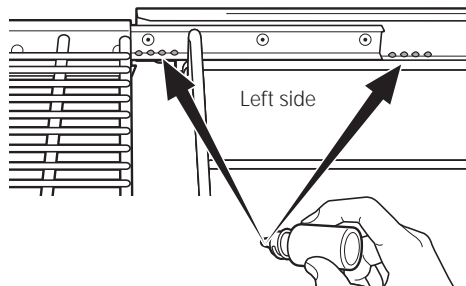
- 1 Remove rack from the oven. See the *Full extension oven racks* section.
- 2 Fully extend the rack on a table or countertop. Newspaper may be placed underneath the rack for easy clean up.



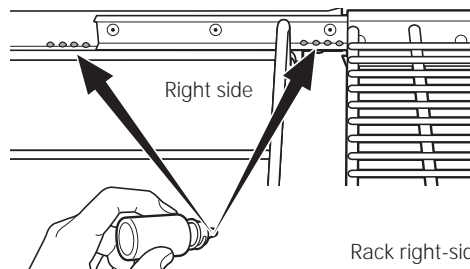
- 3 If there is debris in the slide tracks, wipe it away using a paper towel. **NOTE:** Any graphite lubricant wiped away must be replaced.



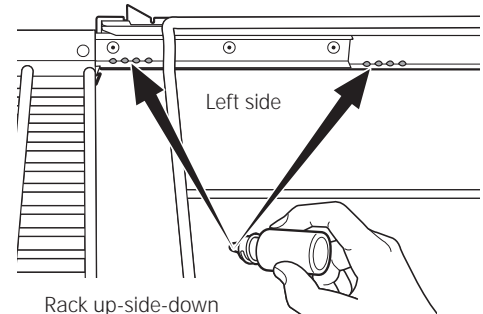
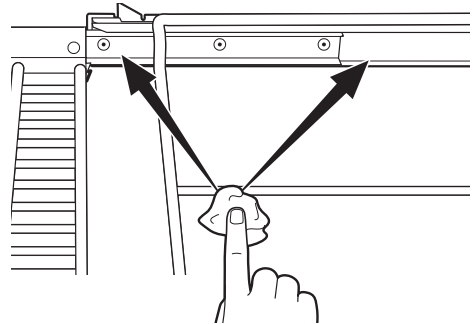
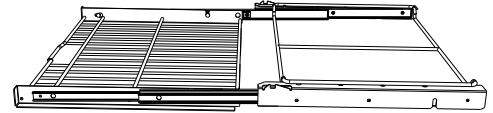
- 4 Shake the graphite lubricant before opening it. Starting with left slide mechanism of the rack, place four (4) small drops of lubricant on the two (2) bottom tracks of the slide close to the bearing carriers.



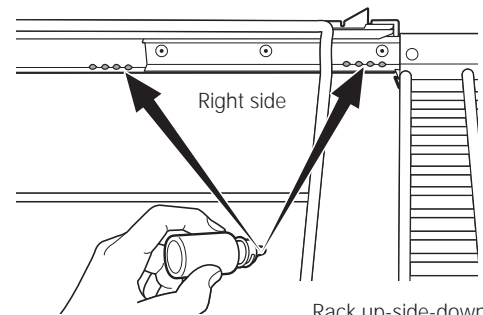
- 5 Repeat for the right slide mechanism of the rack.



- 6 Open and close the rack several times to distribute the lubricant.
- 7 Replace the cap on the lubricant and shake it again. Turn the rack over and repeat steps 3, 4, 5 and 6.



Rack up-side-down



Rack up-side-down

- 8 Close the rack, turn rack right-side-up and place in the oven. See the *Full extension oven racks* section.
- 9 Repeat above steps for each rack.

NOTE: Do not spray with Pam® or other lubricant sprays.

Lift-off oven door—removal

The door is very heavy. Be careful when removing and lifting the door.

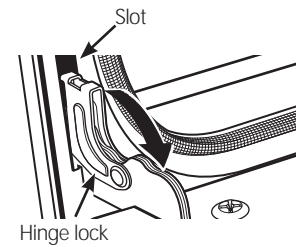
Do not lift the door by the handle.

To remove the door:

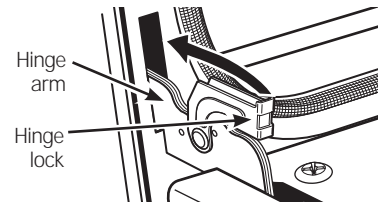
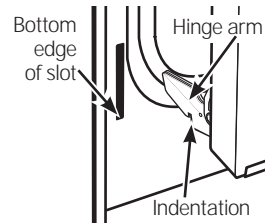
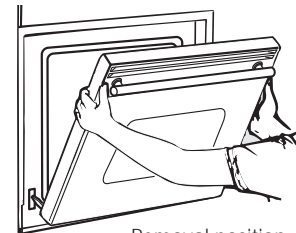
- 1 Fully open the door.
- 2 Pull the hinge locks down toward the door frame, to the unlocked position. A tool, such as a small flat-blade screwdriver, may be required.
- 3 Firmly grasp both sides of the door *at the top*.
- 4 Close door to the door removal position, which is most of the way and lift it up and out until the hinge arm is clear of the slot.

To replace the door:

- 1 Firmly grasp both sides of the door *at the top*.
- 2 With the door at the same angle as the removal position, seat the indentation of the hinge arm into the bottom edge of the hinge slot. The notch in the hinge arm must be fully seated into the bottom of the slot.
- 3 Fully open the door. If the door will not fully open, the indentation is not seated correctly in the bottom edge of the slot.
- 4 Push the hinge locks up against the front frame of the oven cavity, to the locked position.
- 5 Close the oven door.



Pull hinge locks down to unlock



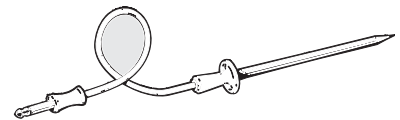
Push hinge locks up to lock

Probe

The temperature probe may be cleaned with soap and water or a soap-filled scouring pad. Cool the temperature probe before cleaning. Scour stubborn spots with a soap-filled scouring pad, rinse and dry.

Do not immerse the temperature probe in water.

Do not store the temperature probe in the oven.



Oven lights

Each oven is equipped with two halogen light assemblies located on the side walls of the oven. The lights come on when the door is opened or when the oven is in a cooking cycle. The oven lights do not come on during self-cleaning or if the Sabbath Feature is set.

Each light assembly consists of a removable light cover with two locking clips, a light compartment with three light bulb sockets and three halogen light bulbs.

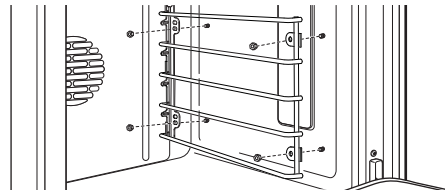
CAUTION: Before replacing the bulb, disconnect electrical power to the oven at the main fuse or circuit breaker panel.

Be sure to let the light cover and bulb cool completely.

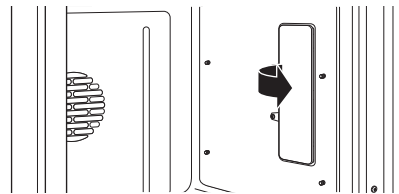
For your safety, do not touch a hot bulb with bare hands or a damp cloth.

To remove:

- 1 Remove the racks from the oven. See the *Full extension oven racks* section.
- 2 Using an adjustable wrench, remove the four nuts holding the rack support over the light assembly.

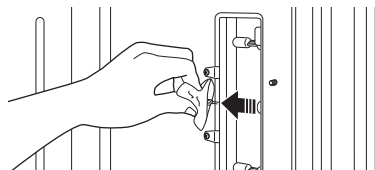


- 3 Remove the glass light cover by pulling its back edge out and rolling it toward you. Do not remove any screws.



NOTE: The two locking clips may fall from the glass light cover. Upon replacement, they will need to be placed in the correct position on the light cover and pressed back into the light compartment until seated.

- 4 Using gloves or a dry cloth, remove the burned-out light bulb by pulling it straight out.



To replace:

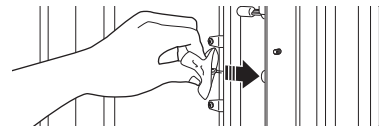
Use a new 120-volt Halogen bulb, with G8 pins, not to exceed 25 watts.

Replacement bulbs may be purchased by calling 800.626.2002. Order Part Number WB25T10064.

NOTE: Higher wattage bulbs will damage your oven.

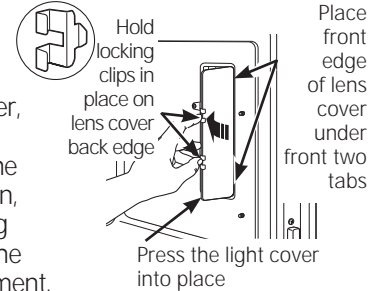
Using gloves or a dry cloth, remove the bulb from its packaging. **Do not touch the bulb with bare fingers.** Oil from bare fingers may cause hot spots on the glass surface and lead to premature failure of the bulb. If you do touch the glass, clean it with alcohol prior to installation.

- 1 Push the bulb straight into the receptacle all the way.



- 2 Replace the light cover, by placing its front edge under the front two tabs in the light compartment. Roll the back edge into place, making sure that it is firmly seated.

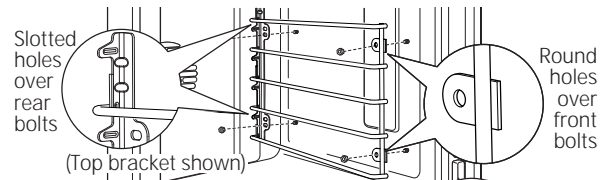
NOTE: If the locking clips fell from the glass lens cover, hold them on the cover, in the correct position, while replacing the cover on the light compartment.



The light cover must be in place when using the oven.

For improved lighting inside the oven, clean the glass cover frequently using a wet cloth. This should be done when the oven is off, disconnected from the power supply, and completely cool.

- 3 Replace the rack support with the slotted holes over the rear bolts and the round holes over the front bolts. Lightly secure with the four nuts removed earlier, but do not over-tighten or the enamel could be chipped.



- 4 Replace the racks. See the *Full extension oven racks* section.
- 5 Reconnect electrical power to the oven.

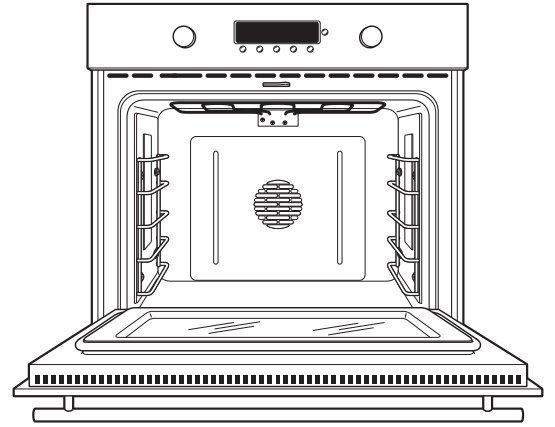
To clean the door

Inside of the door:

- Because the area inside the gasket is cleaned during the self-clean cycle, you do not need to clean this by hand. Any soap left on the liner causes additional stains when the oven is heated, so be sure to rinse thoroughly.
- The area outside the gasket can be cleaned with a soap-filled scouring pad.
- **Do not rub or clean the door gasket**—the fiberglass material of the gasket has an extremely low resistance to abrasion. An intact and well-fitting oven door gasket is essential for energy-efficient oven operation and good baking results. If you notice the gasket becoming worn, frayed or damaged in any way or if it has become displaced on the oven, you should have it replaced.

Outside of the door:

- Depending on your model, see the *Stainless steel surfaces* section or the *Painted surfaces* section.



Stainless steel surfaces (on some models)

Do not use a steel-wool pad; it will scratch the surface.

To clean the stainless steel surface, use warm sudsy water or a stainless steel cleaner or polish. Always wipe the surface in the direction of the grain. Follow the cleaner instructions for cleaning the stainless steel surface.

To inquire about purchasing stainless steel appliance cleaner or polish, or to find the location of a dealer nearest you, please call our toll-free number, 800.626.2002 or visit monogram.com.

Painted surfaces (on some models)

Painted surfaces include the door, top of the control panel and the drawer front. Clean these with soap and water or a vinegar and water solution.

Do not use commercial oven cleaners, cleaning powders, steel wool or harsh abrasives on any painted surface.

The Problem Solver

Wall Oven

Save time & money!

Review the troubleshooting tips on the following pages first and you may not need to call for service.

PROBLEM	POSSIBLE CAUSE
OVEN WILL NOT WORK	<ul style="list-style-type: none"> • A fuse in your home may be blown or the circuit breaker tripped. • The oven controls are not properly set. • The oven controls are set for cleaning. If necessary, allow the oven to cool; then open the door. • Make sure the Oven Mode knob is set to BAKE and the Temperature knob is set to a temperature.
OVEN LIGHT(S) DO NOT WORK	<ul style="list-style-type: none"> • The light bulb is defective. Replace the bulb. • The oven is self-cleaning or the Sabbath feature is set. The oven lights do not come on during self-cleaning or if the Sabbath feature is set.
FOOD DOES NOT BAKE OR ROAST PROPERLY	<ul style="list-style-type: none"> • The oven controls are improperly set. See the <i>Baking or Roasting</i> section. • Oven not preheated for a long enough time (use approximately 10 to 15 minutes). • Incorrect cookware or cookware of improper size being used. See the <i>Pan placement</i> section. • Racks in the wrong position. See the <i>Baking or Roasting</i> section. • Use a foil tent to slow down browning during roasting. • Oven thermostat needs adjustment. See the <i>Oven thermostat adjustment</i> section.
FOOD DOES NOT BROIL PROPERLY	<ul style="list-style-type: none"> • This model is designed for closed door broiling only. Close the door. Always broil with the door closed. • The oven controls are not set at BROIL. See the <i>Broiling</i> section. • The probe is plugged into the outlet in the oven. Remove the probe from the oven. • Improper rack position being used. • Food is being cooked in a hot pan. Use the broiling pan and grid that came with your oven. • Cookware is not suited for broiling. Use the broiling pan and grid that came with your oven. • Aluminum foil used on the broiling pan and grid has not been fitted properly and slit as recommended. • In some areas the power (voltage) may be low. Preheat the broil element for approximately 10 to 15 minutes.
OVEN WILL NOT SELF CLEAN	<ul style="list-style-type: none"> • The oven temperature is too high to set a self-clean operation. Allow the oven to cool below the locking temperature and reset the controls. • The controls are not properly set. See the <i>Self-Cleaning Oven</i> section.
"CRACKING" OR "POPPING" SOUND DURING CLEANING	<ul style="list-style-type: none"> • This is normal. This is the sound of the metal heating and cooling during both the cooking and cleaning functions.
EXCESSIVE SMOKING OCCURS DURING CLEANING	<ul style="list-style-type: none"> • Excessive soil. Turn the Oven Mode and the Temperature knobs to OFF. Open the windows to rid the room of smoke. Wait until the locked door indicator light goes off. Wipe up excess soil and reset the clean cycle.
OVEN NOT CLEAN AFTER A CLEAN CYCLE	<ul style="list-style-type: none"> • The oven was heavily soiled. Clean up heavy spillovers before starting the clean cycle. Heavily soiled ovens may need to self-clean again. • Oven is connected to a 208V electrical supply. Set your cleaning time for 5 hours. • The oven controls are not properly set. See the <i>Self-Cleaning Oven</i> section.
OVEN RACKS ARE DIFFICULT TO SLIDE	<ul style="list-style-type: none"> • The racks were cleaned in the self-clean cycle and now need periodic lubrication. Do not spray with Pam® or other lubricant sprays. See <i>Full extension oven racks</i> in the <i>Care and Cleaning</i> section.

The Problem Solver

Wall Oven

Save time
& money!

PROBLEM	POSSIBLE CAUSE
CLOCK AND TIMER DO NOT WORK	<ul style="list-style-type: none"> A fuse in your home may be blown or the circuit breaker tripped. Replace the fuse or reset the circuit breaker. Oven controls improperly set. See the <i>Clock and Timer</i> sections.
OVEN TEMPERATURE TOO HOT OR TOO COLD	<ul style="list-style-type: none"> Oven thermostat needs adjustment. See the <i>Oven thermostat adjustment</i> section.
OVEN DOOR WILL NOT OPEN AFTER A CLEAN CYCLE	<ul style="list-style-type: none"> The oven is too hot. Allow the oven to cool below locking temperature.
LOCKED FLASHES IN THE DISPLAY	<ul style="list-style-type: none"> The self-clean cycle has been selected but the door is not closed. Close the oven door.
LOCKED LIGHT IS ON WHEN YOU WANT TO COOK	<ul style="list-style-type: none"> The oven door is locked because the temperature inside the oven has not dropped below the locking temperature. Turn the Oven Mode and the Temperature knobs to OFF. Allow the oven to cool.
F9 FLASHES IN THE DISPLAY	<ul style="list-style-type: none"> The oven has a function error code. Turn the Oven Mode and the Temperature knobs to OFF. Allow the oven to cool for one hour. Put the oven back into operation. Disconnect all power to the oven for 30 seconds and then reconnect power. If the function error code repeats, call for service.
DISPLAY GOES BLANK	<ul style="list-style-type: none"> A fuse in your home may be blown or the circuit breaker tripped. Replace the fuse or reset the circuit breaker. The clock is in the black-out mode. See the <i>Special Features</i> section.
DISPLAY FLASHES	<ul style="list-style-type: none"> Power failure. Reset the clock.
UNABLE TO GET THE DISPLAY TO SHOW SF	<ul style="list-style-type: none"> The PROBE and the DELAY START buttons must be pushed at the same time and held for 4 seconds.
"PROBE" APPEARS IN THE DISPLAY	<ul style="list-style-type: none"> This is reminding you to enter a probe temperature after plugging in the probe. Enter a probe temperature.
POWER OUTAGE, CLOCK FLASHES	<ul style="list-style-type: none"> Power outage or surge. Reset the clock. If the oven was in use, you must reset it by pushing the CLOCK button, turning and pushing the Mini-Knob to enter.
STEAM FROM THE VENT	<ul style="list-style-type: none"> When using the convection feature, it is normal to see steam coming out of the oven vent. As the number of racks or amount of food being cooked increases, the amount of visible steam will increase.
"BURNING" OR "OILY" ODOR EMITTING FROM THE VENT	<ul style="list-style-type: none"> This is normal in a new oven and will disappear in time.
STRONG ODOR	<ul style="list-style-type: none"> This is temporary. An odor from the insulation around the inside of the oven is normal for the first few times the oven is used.
FAN NOISE	<ul style="list-style-type: none"> A cooling fan or a convection fan (depending on the function you are using) may turn on. This is normal. The cooling fan will turn on to cool internal parts. It may run after the oven is turned off. The convection fan may cycle on and off until the function is over or the door is opened.

Notes

Wall Oven

With the purchase of your new Monogram appliance, receive the assurance that if you ever need information or assistance from GE, we'll be there. All you have to do is call—toll-free!

GE Answer Center®

800.626.2000

Whatever your question about any Monogram major appliance, GE Answer Center® information service is available to help. Your call—and your question—will be answered promptly and courteously. Call the GE Answer Center® Monday to Friday, 8 a.m. to 10 p.m. EST, and Saturday, 8 a.m. to 7 p.m. EST.

OR

Visit our Website at: monogram.com

Monogram Preferred Service

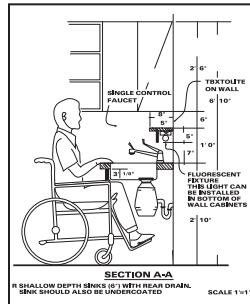
800.444.1845

A GE consumer service professional will provide expert repair service, scheduled at a time that's convenient for you. To schedule service, call Monday to Friday, 7 a.m. to 10 p.m. EST, or Saturday and Sunday, 8 a.m. to 6 p.m. EST. Many GE Consumer Service company-operated locations offer you service today or tomorrow, or at your convenience.

Our factory-trained technicians know your appliance inside and out—so most repairs can be handled in just one visit.

For Customers With Special Needs...

800.626.2000



GE offers, free of charge, a brochure to assist in planning a barrier-free kitchen for persons with limited mobility.

Consumers with impaired hearing or speech who have access to a TDD or a conventional teletypewriter may call 800.TDD.GEAC (800.833.4322) to request information or service.

Service Contracts

800.626.2224

You can have the secure feeling that GE Consumer Service will still be there after your warranty expires. Purchase a GE contract while your warranty is still in effect and you'll receive a substantial discount. With a multiple-year contract, you're assured of future service at today's prices.

Parts and Accessories

800.626.2002

Individuals qualified to service their own appliances can have parts or accessories sent directly to their home. The GE parts system provides access to over 47,000 parts...and all GE Genuine Renewal Parts are fully warranted. VISA, MasterCard and Discover cards are accepted.

User maintenance instructions contained in this manual cover procedures intended to be performed by any user. Other servicing generally should be referred to qualified service personnel. Caution must be exercised, since improper servicing may cause unsafe operation.

YOUR MONOGRAM WALL OVEN WARRANTY

Staple sales slip or cancelled check here. Proof of original purchase date is needed to obtain service under warranty. Please have serial number and model number available when calling for service.

WHAT IS COVERED

From the Date of the Original Purchase

LIMITED ONE-YEAR WARRANTY

For one year from date of original purchase, we will provide, free of charge, parts and service labor in your home to repair or replace any part of the oven that fails because of a manufacturing defect.

.....
This warranty is extended to the original purchaser and any succeeding owner for products purchased for ordinary home use in the 48 mainland states, Hawaii, Washington, D.C. or Canada. If the product is located in an area where service by our Authorized Servicer is not available, you may be responsible for a trip charge or you may be required to bring the product to an Authorized Service location for service. In Alaska the warranty is the same except that you must pay to ship the product to the service shop or for the service technician's travel costs to your home.

All warranty service will be provided by our Factory Service Centers or by our authorized Customer Care® servicers during normal working hours.

Should your appliance need service, during warranty period or beyond, call 800.444.1845.

In Canada, call 1.800.561.3344.

WHAT IS NOT COVERED

- Service trips to your home to teach you how to use the product.
- Replacement of house fuses or resetting of circuit breakers.
- Damage to the product caused by accident, fire, floods or acts of God.
- Damage after delivery.
- Failure of the product if it is used for other than its intended purpose or used commercially.
- Improper installation, delivery or maintenance.

If you have an installation problem, contact your dealer or installer. You are responsible for providing adequate electrical, gas, exhausting and other connecting facilities as described in the Installation Instructions provided with the product.

- Incidental or consequential damage caused by possible defects with this appliance.
- Product not accessible to provide required service.
- Service to repair or replace light bulbs, except for LED lamps.

EXCLUSION OF IMPLIED WARRANTIES—Your sole and exclusive remedy is product repair as provided in this Limited Warranty. Any implied warranties, including the implied warranties of merchantability or fitness for a particular purpose, are limited to one year or the shortest period allowed by law.

Some states/provinces do not allow the exclusion or limitation of incidental or consequential damages, so the above limitation or exclusion may not apply to you. This warranty gives you specific legal rights, and you may also have other rights which vary from state to state/province to province. To know what your legal rights are in your state/province, consult your local or state/provincial consumer affairs office or your state's Attorney General.

Warrantor in U.S.A.: General Electric Company,
Louisville, KY 40225

Warrantor in Canada: Mabe Canada Inc.



GE Consumer & Industrial
Appliances
General Electric Company
Louisville, KY 40225
monogram.com

Introduction

Votre nouveau four mural Monogram offre un style éloquent, une grande commodité et de la souplesse dans l'agencement de votre cuisine. Que vous le choisissiez pour la pureté de ses lignes, l'attention assidue pour le détail ou ces deux raisons, vous constaterez que le mariage exceptionnel de la forme et de la fonctionnalité de votre four mural Monogram vous apportera satisfaction pendant de nombreuses années.

Vote four mural Monogram a été conçu pour vous offrir la flexibilité voulue permettant de l'agencer à vos armoires. Son style élégant permet de l'intégrer en toute beauté à votre cuisine.

L'information des pages suivantes vous aidera à faire fonctionner et à entretenir correctement votre four mural.

Contenu

Entretien et nettoyage

Ampoules du four 77
Grilles..... 75
Lèchefrite et grille 74
Porte du four 76, 78
Sonde 76

Service à la clientèle

Carte d'enregistrement du produit 44
Consignes de sécurité 45-47
Garantie 84
Numéros de modèle et de série 44
Numéros de téléphone importants 83
Solutions de problèmes 79, 80

Four

Caractéristiques..... 48
Commandes 49, 50, 53, 55, 57, 59, 60, 61, 63, 66, 67, 68
Cuisson à minuterie 64, 65
Cuisson au grilloir 54, 55
Cuisson par convection 58-63
Cuisson..... 53
Directives pour l'autonettoyage 67, 68
Fermentation 66
Fonction Sabbath 73
Fonctions spéciales 71-73
Grilles du four 52
Horloge 69
Minuterie 70
Papier d'aluminium 51, 54, 63
Réglage du thermostat 71
Sonde 50, 56, 57, 61, 76
Verrouillage des commandes 69

*Retirez
le ruban
d'emballage*

Pincez avec soin entre vos doigts un coin de la pellicule de protection pour l'expédition et détachez-la lentement de la surface de l'appareil. N'utilisez pas d'objets tranchants pour retirer la pellicule. Retirez toute la pellicule avant d'utiliser l'appareil pour la première fois.

Pour s'assurer de ne pas endommager le fini du produit, le meilleur moyen pour décoller du nouvel appareil l'adhésif du ruban d'emballage est d'appliquer du détergent liquide pour laver la vaisselle. Appliquez avec un chiffon doux et laissez tremper.

REMARQUE : *l'adhésif doit être retiré de toutes les pièces. Il ne pourra l'être s'il a été cuit en place.*

*Avant
d'utiliser
votre four
mural*

Lisez attentivement ce manuel. L'information contenue dans ses pages vous aidera à faire fonctionner et à entretenir correctement votre four mural.

Gardez-le à portée de la main pour répondre à vos questions.

Si vous ne comprenez pas certains points ou si vous avez besoin d'aide, vous trouverez une liste de numéros de service à la clientèle sans frais à la section arrière de ce manuel.

OU

Visitez notre site Web à l'adresse suivante :
monogram.com

*Inscrivez
les
numéros
de modèle
et de série*

Vous les trouverez sur une étiquette située sur la partie avant gauche de la garniture derrière la porte du four.

Remplissez et faites-nous parvenir la carte d'enregistrement du produit qui accompagne ce produit.

Avant d'envoyer la carte, veuillez inscrire les numéros ci-dessous :

Numéro de modèle

Numéro de série

Utilisez ces numéros pour toute correspondance ou tout appel de service au sujet de votre four mural.

*Si vous avez
reçu un
four mural
endommagé*

Contactez immédiatement le détaillant (ou le fabricant) qui vous a vendu le four mural.

*Gagnez du
temps et
économisez*

Avant toute demande de service, consultez la section Solution de problèmes à l'arrière de ce manuel.

Vous y trouverez une liste des causes de problèmes de fonctionnement mineurs que vous pouvez corriger vous-même.

*Si vous
avez besoin
de service
d'entretien
ou de
réparation*

Pour obtenir du service, reportez-vous aux pages du service à la clientèle à l'arrière de ce manuel.

Nous sommes fiers de notre service et nous tenons à votre satisfaction. Si pour quelque raison que ce soit vous n'êtes pas satisfait du service reçu, voici deux étapes à suivre pour obtenir de l'aide supplémentaire.

D'ABORD, contactez les personnes qui ont réparé votre appareil. Expliquez votre insatisfaction. Dans la plupart des cas, cette démarche résoudra le problème.

ENSUITE, si vous n'êtes toujours pas satisfait, écrivez tous les détails (sans oublier d'inscrire votre numéro de téléphone) au :

Manager, Customer Relations
GE Appliances
Appliance Park
Louisville, KY 40225

AVIS IMPORTANT EN MATIÈRE DE SÉCURITÉ

- Le California Safe Drinking Water and Toxic Enforcement Act exige que le gouverneur de Californie publie une liste de substances que l'on sait occasionner le cancer, des anomalies congénitales ou d'autres anomalies de reproduction, et exige que les entreprises avertissent leurs clients des dangers que leur font courir une exposition à ces substances.
- L'isolement en fibre de verre dans les fours auto-nettoyants émet un très petit montant de gaz carbonique pendant le cycle de nettoyage. Vous pouvez réduire votre exposition à ce gaz en aérant, en ouvrant la fenêtre ou en utilisant un ventilateur ou une hotte d'aération.

• **IMPORTANT** : Certains oiseaux sont extrêmement sensibles à la fumée produite pendant le programme d'autonettoyage de n'importe quel four. Placez les oiseaux dans une autre pièce bien aérée.

MESURES DE SÉCURITÉ

Pour utiliser des appareils électroménagers, vous devez suivre des précautions élémentaires de sécurité, en particulier :

- Assurez-vous d'enlever tous les matériaux d'emballage du four avant de le mettre en marche, pour éviter tout danger d'incendie ou de dommage dû à la fumée si ces matériaux d'emballage prennent feu.
- N'utilisez cet appareil que pour l'usage auquel il est destiné, comme expliqué dans le présent Manuel du propriétaire.
- Assurez-vous que votre appareil est bien installé et mis à la terre par un installateur qualifié, conformément aux directives d'installation fournies.
- Assurez-vous que le four est bien installé dans une armoire solidement fixée à la charpente de la résidence. Ne laissez personne grimper, s'asseoir ou monter sur la porte du four, ou s'y agripper.
- Demandez à l'installateur de vous montrer l'emplacement du disjoncteur ou du fusible. Identifiez-le pour pouvoir le trouver facilement.
- Ne tentez pas de réparer ni de remplacer aucune pièce du four, à moins que cela ne soit recommandé dans le présent manuel. Tout autre service d'entretien doit être assuré par un réparateur qualifié.
- Apprenez aux enfants à ne pas jouer avec les commandes ou toute autre pièce du four.
- Ne laissez jamais la porte du four ouverte lorsque vous ne surveillez pas l'appareil.
- Gardez toujours les linges à vaisselle, les mitaines de four et autres articles en tissu à une distance sécuritaire de votre four.
- Pour votre sécurité, n'utilisez pas cet appareil pour réchauffer la pièce.
- Ne rangez pas de matériaux inflammables dans le four.
- Gardez toujours les ustensiles en plastique et en bois, de même que les aliments en conserve, à une distance sécuritaire de votre four.
- Gardez toujours les revêtements muraux combustibles, les rideaux et les tentures à une distance sécuritaire de votre four.
- NE PAS EMMAGASINEZ OU UTILISEZ DES MATÉRIELS COMBUSTIBLES, L'ESSENCE OU LES AUTRES VAPEURS ET LES LIQUIDES INFLAMMABLES À PROXIMITÉ DE CECI OU AUCUN AUTRE APPAREIL.
- Ne laissez pas de graisse ou autres matières inflammables s'accumuler dans le four ou à proximité de ce dernier.
- Ne tentez pas d'éteindre des feux de graisse avec de l'eau. Ne soulevez jamais une casserole en flammes. Mettez tous les réglages en position off (arrêt).

Vous pouvez éteindre complètement les flammes en fermant la porte du four et en éteignant l'appareil, ou en utilisant un extincteur chimique à poudre ou à mousse.

• Abstenez-vous d'utiliser tout type de papier ou de doublure pour recouvrir le fond ou toute autre partie du four, sauf indication contraire dans ce manuel. Les doublures de four peuvent emprisonner la chaleur ou fondre, endommageant le produit et causant un risque de choc électrique, d'enfumage ou d'incendie.

MESURES DE SÉCURITÉ

- **N'utilisez pas de papier d'aluminium pour recouvrir la sole du four.** Le papier d'aluminium peut emprisonner la chaleur produite par l'élément inférieur, ce qui pourrait causer un choc électrique, un incendie ou des dommages à l'appareil.
- **Faites cuire la viande et la volaille à fond**—la température INTERNE de la viande doit être d'au moins 160 °F, et celle de la volaille d'au moins 180 °F. La cuisson à ces températures internes assure généralement une bonne protection contre les intoxications alimentaires.
- **Avant d'effectuer une réparation, COUPEZ TOUJOURS L'ALIMENTATION DU FOUR AU PANNEAU DE DISTRIBUTION EN ENLEVANT LE FUSIBLE OU EN DÉCLANCHANT LE DISJONCTEUR.**
- **Ne laissez pas les enfants sans surveillance**— Il ne faut jamais laisser les enfants seuls ou sans surveillance près de l'appareil, lorsque celui-ci fonctionne. On doit également leur interdire de grimper ou de s'asseoir sur l'appareil.
- **Ne touchez pas aux éléments chauffants, ni aux parois du four.** Ces surfaces peuvent être suffisamment chaudes pour causer des brûlures, même si elles ne sont pas rouges. Pendant et après l'utilisation, faites en sorte que vos vêtements et autres matériaux inflammables ne viennent pas en contact avec les parois du four. Laissez-les d'abord refroidir.

Les surfaces susceptibles de devenir chaudes comprennent notamment l'évent du four et les surfaces qui l'entourent, les aspérités autour de la porte du four, la surface périphérique du hublot et les moulures métalliques au-dessus de la porte.

N'oubliez pas : Les parois du four peuvent être chaudes lorsque vous ouvrez la porte.

- **⚠ ATTENTION :** NE RANGEZ PAS DES ARTICLES QUI PRÉSENTENT UN INTÉRÊT POUR LES ENFANTS, DANS LES ARMOIRES SE TROUVANT AU-DESSUS D'UN FOUR CAR CEUX-CI POURRAIENT GRIMPER SUR L'APPAREIL POUR LES ATTEINDRE ET RISQUERAIENT DE SE BLESSER.
- **Ne portez jamais de vêtements amples lorsque vous utilisez cet appareil.** Faites attention lorsque vous prenez des articles rangés dans les armoires au-dessus du four. Les tissus inflammables peuvent prendre feu au contact des surfaces chaudes et causer de graves brûlures.
- **N'utilisez que des poignées ou des mitaines de four sèches**—les poignées ou mitaines de four humides ou mouillées peuvent causer des brûlures de vapeur. Ne laissez pas les poignées venir en contact avec les éléments chauds. N'utilisez pas de serviette ou autre objet encombrant en tissu au lieu de mitaines de four.
- **Assurez-vous que l'évent du four n'est jamais obstrué.**
- **Ne laissez pas s'accumuler de dépôts graisseux dans le four.**
- **Ne vous tenez pas trop près du four lorsque vous ouvrez la porte.** L'air chaud et la vapeur qui s'en échappent peuvent vous brûler les mains, le visage et les yeux.
- **Après le grillage, sortez toujours la lèchefrite du four et nettoyez-la.** La graisse qui s'est accumulée dans la lèchefrite pourrait prendre feu la prochaine fois que vous utiliserez le four.
- **De grandes égratignures ou des impacts sur la surface vitrée des portes peuvent entraîner le bris du verre.**
- **Ne laissez jamais de pots à graisse ou de boîtes de conserve contenant des matières grasses à proximité de votre four.**

MESURES DE SÉCURITÉ

- **Les enfants en marchette ou les enfants qui rampent peuvent être attirés par la poignée ronde de porte du four et peuvent la saisir, et ainsi ouvrir la porte.** Cela peut occasionner une ouverture de la porte sur l'enfant ou des brûlures sérieuses si le four est en fonctionnement et chaud.
- **Ne faites pas chauffer de récipient fermé.** L'accumulation de pression dans le récipient peut le faire éclater, causant ainsi des blessures.
- **Placez les clayettes à la hauteur désirée lorsque le four est froid.** Si vous devez les manipuler lorsque le four est chaud, évitez que vos mitaines de four entrent en contact avec les éléments du four.
- **Il est plus pratique de soulever des plats lourds lorsque la grille est entièrement ouverte.** Vous éviterez ainsi de vous brûler en touchant aux parois de la porte ou du four.
- **Lorsque vous utilisez des sachets pour la cuisson ou le rôtissage,** suivez les directives du fabricant.
- **Ne faites pas sécher de journaux dans le four.** S'ils surchauffent, ils risquent de prendre feu.
- **N'entrez pas d'articles dans votre four.** Ils pourraient prendre feu.
- **Ne laissez pas de produits en papier, d'ustensiles de cuisson ou d'aliments dans le four lorsqu'il n'est pas utilisé.**
- **Ne laissez personne grimper ou monter sur la porte du four, ou s'y agripper.** Cela pourrait endommager l'appareil ou causer de graves blessures.

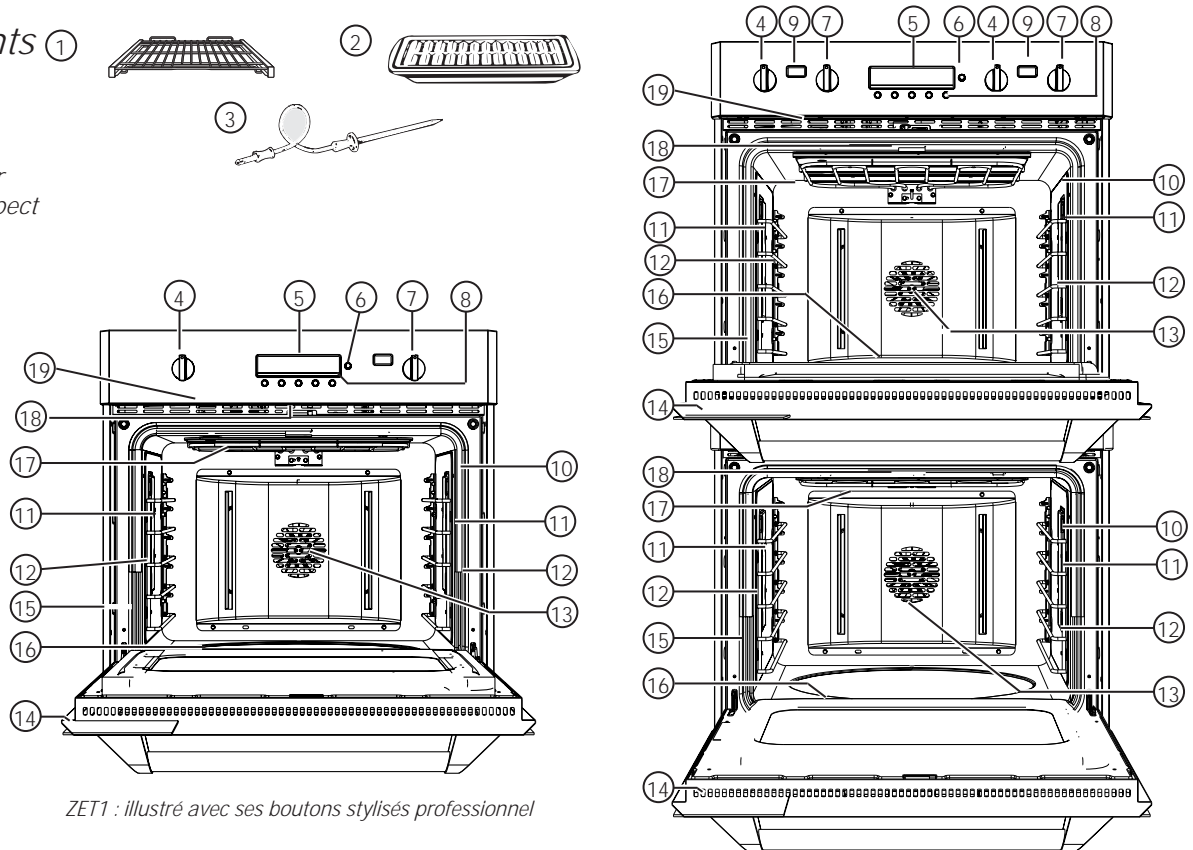
FOUR AUTONETTOYANT

- **Ne nettoyez pas le joint de la porte.** Ce joint est essentiel à une bonne étanchéité. Il faut éviter de le récurer, de l'endommager ou de le déplacer.
- **N'utilisez pas de produits nettoyants commerciaux pour le four.** Il ne faut jamais utiliser des produits nettoyants commerciaux ou des enduits protecteurs dans le four ou près des pièces du four. Les résidus de ces produits nettoyants endommageront l'intérieur du four lorsque vous effectuerez un autonettoyage.
- **Ne nettoyez que les pièces indiquées dans le présent manuel d'utilisation.**
- **Avant de commencer l'autonettoyage,** enlevez la lèchefrite, la grille et autres ustensiles de cuisine.
- **Avant de commencer l'autonettoyage, essayez les aliments renversés.**
- **Si le programme d'autonettoyage fonctionne mal,** éteignez le four et coupez l'alimentation électrique. Faites réparer l'appareil par un technicien qualifié.
- **Vous pouvez nettoyer les clayettes du four pendant le cycle d'auto-nettoyage.**
- **Ne placez jamais d'ustensiles, de pierres à pizza ou de cuisson, ni tout type de papier ou de doublure sur le fond du four.** Ces articles peuvent emprisonner la chaleur ou fondre, endommageant le produit et causant un risque de choc électrique, d'enfumage ou d'incendie.

CONSERVEZ CES DIRECTIVES

Renseignements ^① descriptifs

(les caractéristiques n'apparaissent pas sur tous les modèles. L'aspect peut varier.)

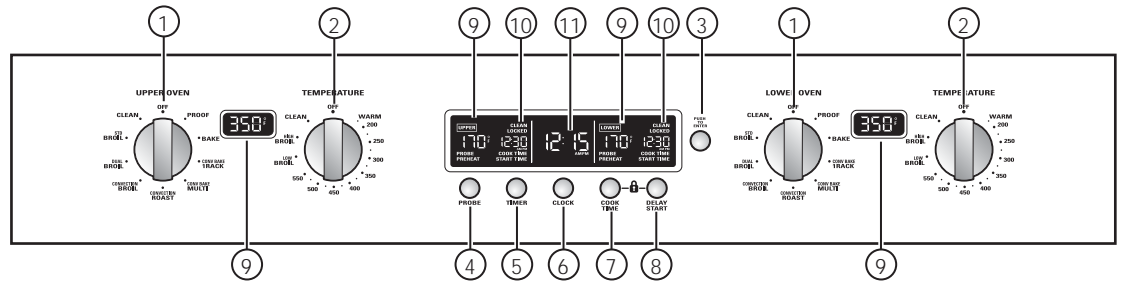


ZET1 : illustré avec ses boutons stylisés professionnel

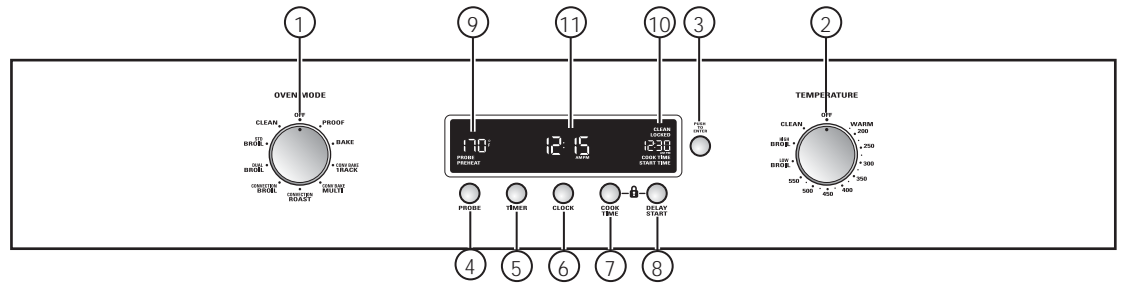
ZET2 : illustré avec ses boutons stylisés Pro

Index des caractéristiques	Page
1 Grilles de four à extension complète (3 par four)	51, 52, 53, 54, 55, 58, 59, 60, 61, 63, 64, 66, 75
2 Lèche-frite et grille	60, 74
3 Sonde	50, 56, 57, 61, 76
4 Bouton de sélection du mode de cuisson	50, 53, 55, 57, 59, 60, 61, 63, 66, 67, 68
5 Afficheur	50
6 Bouton de sélection miniature : Tournez pour sélectionner et enfoncez pour saisir les réglages des fonctions PROBE (sonde), TIMER (minuterie), CLOCK (horloge), COOK TIME (temps de cuisson) et DELAY START (démarrage différé).	50, 57, 61, 64, 65, 67, 68, 69, 70, 71, 72, 73
7 Bouton de sélection de la température	50, 53, 55, 57, 59, 60, 61, 63, 67, 74
8 Boutons sonde, minuterie, horloge, temps de cuisson et démarrage différé. Sélection d'une caractéristique par enfoncement : tournez le bouton de sélection miniature pour sélectionner et enfoncez pour saisir.	50, 57, 61, 64, 65, 27, 68, 69, 70, 71, 72, 73
9 Sous-affichages : Les températures supérieure et inférieure apparaissent dans leurs afficheurs respectifs (sur certains modèles).	—
10 Sortie de la sonde	56, 57, 61, 63, 67, 79, 80
11 Ampoules de four à halogène	77, 79
12 Supports à grille de four (5 positions)	52, 77
13 Ventilateur de convection (fonctionne durant la cuisson à convection et le préchauffage)	53, 54, 57, 58, 59, 60, 61, 63, 64, 67, 68, 80
14 Porte de four amovible	76
15 Joint de porte de four	78
16 Élément de cuisson (sous le plancher du four)	45, 59, 74
17 Élément chauffant pour griller	58, 74, 79
18 Loquet de porte du four automatique	67, 68
19 Événement du four	46, 80

Caractéristiques des commandes, de l'horloge et de la minuterie de votre four (les caractéristiques n'apparaissent pas sur tous les modèles. L'aspect peut varier.)



Commandes du four double : Modèle Pro illustré (l'aspect peut varier.)

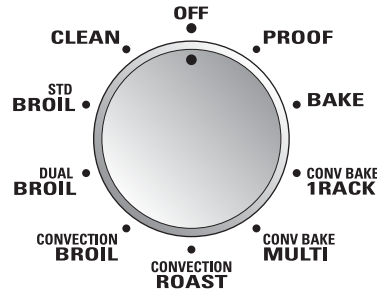


Commandes du four simple : Modèle intégré illustré (l'aspect peut varier.)

- 1 **Bouton de sélection du mode de cuisson :** Tournez pour sélectionner :
 - PROOF (levage) :** Pour maintenir un environnement chaud, utile pour faire lever les produits contenant de la levure.
 - BAKE (cuisson) :** Pour la cuisson conventionnelle.
 - CONV BAKE 1 RACK (cuisson par convection à une grille) :** Pour la cuisson par convection sur une grille.
 - CONV BAKE MULTI (cuisson par convection à plusieurs grilles) :** Pour la cuisson par convection sur plusieurs grilles.
 - CONV ROAST (rôtissage par convection) :** Pour le rôtissage par convection.
 - CONV BROIL (grillage par convection) :** Pour la cuisson au grilloir par convection.
 - DUAL BROIL (grillage par convection à 2 éléments) :** Pour la cuisson conventionnelle au grilloir pour une grande quantité de nourriture.
 - STD BROIL (grillage à 1 élément) :** Pour la cuisson conventionnelle au grilloir pour une petite quantité de nourriture.
 - CLEAN (nettoyage) :** Pour la fonction d'autonettoyage. Reportez-vous à la section *Four autonettoyant*.
- 2 **Bouton de sélection de la température :** Tournez pour sélectionner :
 - Pour le réglage de la température entre 200 °F et 550 °F (93 °C et 288 °C).
 - WARM (réchauffer) :** Pour garder les aliments chauds jusqu'à 2 heures après l'arrêt de la fonction cuisson.
 - LOW BROIL (grillage faible) :** Pour le réglage automatique d'une température basse de cuisson au grilloir.
 - HIGH BROIL (grillage élevé) :** Pour le réglage automatique d'une température élevée de cuisson au grilloir.
 - CLEAN (nettoyage) :** Pour le réglage automatique de la fonction d'autonettoyage.
- 3 **Bouton de sélection miniature**
 - Tournez pour sélectionner et enfoncez pour saisir les réglages PROBE (sonde), TIMER (minuterie), CLOCK (horloge), COOK TIME (temps de cuisson) et DELAY START (démarrage différé).
- 4 **PROBE (sonde) :** Enfoncez pour sélectionner la sonde et cuire les aliments à une température interne. Tournez et enfoncez le bouton de sélection miniature pour valider ce réglage.
- 5 **TIMER (minuterie) :** Enfoncez pour sélectionner la fonction minuterie. Elle ne contrôle pas les opérations du four. La minuterie permet un réglage allant jusqu'à 11 heures et 59 minutes.
- 6 **CLOCK (horloge) :** Enfoncez pour saisir l'heure de la journée. Tournez et enfoncez le bouton de sélection miniature pour valider ce réglage.
- 7 **COOK TIME (temps de cuisson) :** Enfoncez pour saisir le temps désiré pour la cuisson (ou le rôtissage), la cuisson par convection ou le rôtissage par convection. Tournez et enfoncez le bouton de sélection miniature pour valider ce réglage.
- 8 **DELAY START (démarrage différé) :** Enfoncez pour différer le démarrage de la cuisson ou du cycle d'autonettoyage. Tournez et enfoncez le bouton de sélection miniature pour régler l'heure désirée du démarrage de la cuisson.
- 9 **Afficheur de température :** Indique la température de réglage du four ou de la sonde et si le four est en préchauffage. (Sur certains modèles de four mural double, UPPER et LOWER (haut et bas) apparaissent au-dessus de leurs réglages respectifs.)

REMARQUE : sur certains modèles de four mural, la température de réglage apparaît dans les afficheurs entre leurs boutons de commande respectifs.
- 10 **Afficheur d'avancement de temps de cuisson et d'autonettoyage :** Lorsque sélectionné, indique le temps de cuisson (COOK TIME) restant et le temps de démarrage différé (DELAY START). Les indicateurs lumineux indiquent l'avancement du cycle d'autonettoyage.
- 11 **Afficheur de l'heure de la journée :** Indique l'heure de la journée.

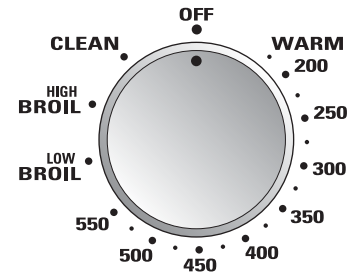
Présentation des commandes du four



Bouton de sélection du mode de cuisson

Pour tous les modes sauf Proof (levage), le four ne fonctionnera que si le mode du four et la température ont tous deux été sélectionnés à l'aide des boutons. Voir le tableau.

Bouton de sélection du mode de cuisson	Bouton de sélection de la température
PROOF (levage)	OFF (arrêt)
BAKE (cuisson)	De WARM (chaud) à 550 °F (288 °C)
CONV BAKE/1 RACK (cuisson par convection sur une grille)	De WARM (chaud) à 550 °F (288 °C)
CONV BAKE/MULTI (cuisson par convection sur plusieurs grilles)	De WARM (chaud) à 550 °F (288 °C)
CONVECTION/ROAST (rôtissage par convection)	De WARM (chaud) à 550 °F (288 °C)



Bouton de sélection de la température

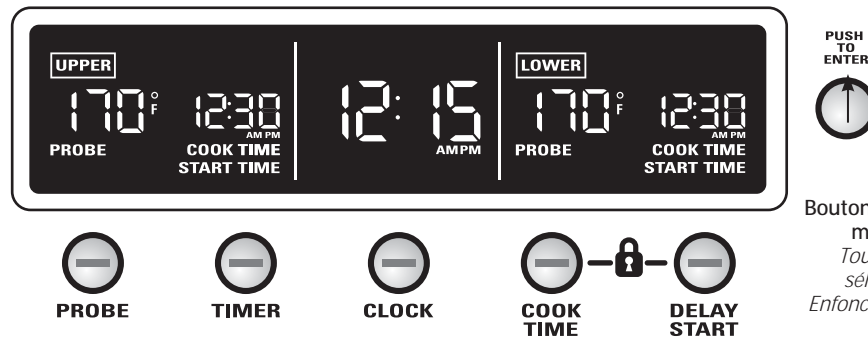
Pour annuler cette fonction, tournez à OFF (arrêt) soit le bouton de sélection du mode de cuisson ou le bouton de sélection de la température.

Pour annuler PROOF (levage), tournez le bouton de sélection du mode cuisson à OFF (arrêt).

Bouton de sélection du mode de cuisson	Bouton de sélection de la température
CONVECTION/BROIL (cuisson au grilloir par convection)	HIGH ou LOW BROIL (cuisson au grilloir haute ou basse)
DUAL BROIL (cuisson au grilloir à 2 éléments)	HIGH ou LOW BROIL (cuisson au grilloir haute ou basse)
STD BROIL (cuisson au grilloir à 1 élément)	HIGH ou LOW BROIL (cuisson au grilloir haute ou basse)
CLEAN (nettoyage)	CLEAN (nettoyage)

Présentation des commandes de réglage de la sonde de température et de temps

Illustration de l'afficheur du four double



Bouton de sélection miniature
Tournez pour sélectionner
Enfoncez pour saisir

Enfoncez les boutons **PROBE** (sonde), **TIMER** (minuterie), **CLOCK** (horloge), **COOK TIME** (temps de cuisson) ou **DELAY START** (démarrage différé) et validez la sélection en tournant et en enfonceant le bouton de sélection miniature. Reportez-vous à chaque section respective pour les détails.

Le bouton de sélection miniature affiche une sélection en incréments de 1, 5 ou 10 selon la-vitesse à laquelle le bouton est tourné.

Tournez le dans le sens horaire pour augmenter la température de réglage de la sonde et du temps et dans le sens antihoraire pour la réduire. Enfoncez pour valider le réglage.

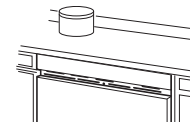
Consultez la section *Verrouillage des commandes* pour savoir comment verrouiller et déverrouiller les commandes.

Conseils de cuisson

Four mural

Écoulement d'air du four

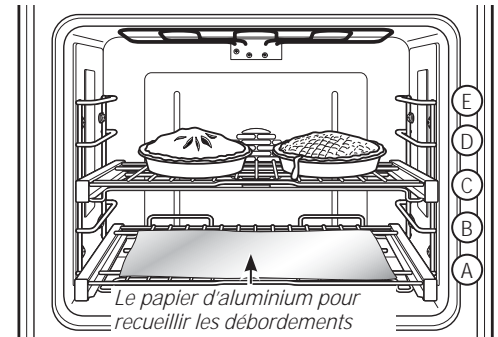
Un ventilateur de refroidissement interne fonctionne durant tous les modes de cuisson du four. L'air chaud à l'intérieur du four sera évacué par les événements situés sous la porte et sous la garniture.



Papier d'aluminium et doublures de four

⚠ MISE EN GARDE: Abstenez-vous d'utiliser tout type de papier ou de doublure dans le fond du four. Ces articles peuvent emprisonner la chaleur ou fondre, endommageant le produit et causant un risque de choc électrique, d'enfumage ou d'incendie. Les dommages résultant de l'usage inapproprié de ces articles ne sont pas couverts par la garantie du produit.

Pour protéger des débordements, une feuille d'aluminium peut être placée sur une grille inférieure se trouvant à plusieurs centimètres en dessous des aliments. N'utilisez pas plus de papier d'aluminium que nécessaire et ne recouvrez jamais la totalité d'une grille avec le papier. Laissez une distance d'au moins 3,8 cm (1 1/2 po) entre le papier et les parois du four pour permettre une bonne distribution de chaleur.



Remarque : L'inscription "NO FOIL ON OVEN BOTTOM" (Pas de feuille d'aluminium dans le fond du four) est émaillée dans le bas de la cavité du four et elle résistera aux températures élevées de l'autonettoyage. Ne tentez pas de peeler ou gratter cette inscription.

Positionnement des casseroles

Pour une cuisson uniforme et un brunissage correct, il doit y avoir suffisamment d'espace pour la circulation d'air dans le four. Les résultats de cuisson seront meilleurs si les plats sont centrés autant que possible dans le four plutôt que d'être placés à l'avant ou à l'arrière du four.

Les plats ne doivent ni se toucher, ni toucher aux parois du four. Prévoyez un espacement de 2,5 à 3,75 cm (1 à 1,5 po) entre les plats ainsi qu'avec l'arrière, la porte et les côtés du four.

Si vous devez utiliser deux grilles, utilisez les positions A et C, B et D ou A et D et décalez les plats de manière à ce qu'ils ne soient pas directement l'un au-dessus de l'autre.

Moules de cuisson/ plaques à pâtisserie

Utilisez les moules de cuisson appropriés. Le type de fini du moule détermine la quantité de brunissage qui aura lieu.

- Les moules de couleur foncée, rugueux ou ternis absorbent la chaleur et il en résultera une croûte plus brunie et croustillante. Utilisez ce type de moule pour les tartes.

- Les moules brillants, de couleur claire et lisses reflètent la chaleur et il en résultera un brunissage plus clair et plus délicat. C'est le type de moule ou de plaque à pâtisserie qu'il faut utiliser pour les gâteaux et les biscuits.
- Les plats de cuisson en verre absorbent aussi la chaleur. Pour les plats de cuisson en verre, il peut être nécessaire de réduire la température de cuisson de 25 °F (14 °C).

Préchauffage

Laissez le four préchauffer avant d'y placer les aliments. Pour de meilleurs résultats, il est nécessaire de préchauffer le four lors de la préparation de gâteaux, de biscuits, de pâtisseries et de pain.

Pour préchauffer, réglez le four à la bonne température. L'indicateur lumineux PREHEAT (préchauffage) s'allume et l'afficheur de température indique 100 °F (38 °C). (La température affichée commence à changer une fois que la température du four atteint 100 °F

[38 °C].) Le ventilateur à convection se met aussi en marche lors du préchauffage. La commande émet un signal sonore (bip) une fois que le four est préchauffé, ce qui prend environ 10 à 15 minutes. L'indicateur lumineux PREHEAT (préchauffage) s'éteint et l'afficheur indique la température de réglage.

Les aliments peuvent être placés dans le four une fois que le voyant lumineux PREHEAT (préchauffage) s'est éteint.

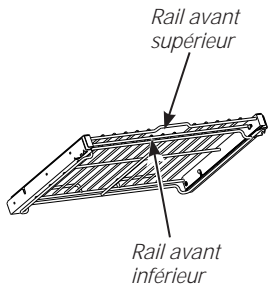
Le type de margarine utilisée affecte la cuisson!

La plupart des recettes nécessitant une cuisson exige l'utilisation de produits à forte teneur en matières grasses, comme du beurre ou de la margarine (80 % de matières grasses). Si vous diminuez la quantité de gras, vous pourriez ne pas obtenir les mêmes résultats qu'avec un produit à plus forte teneur en matières grasses.

Vous pouvez rater votre recette de gâteau, de tarte, de pâtisseries, de biscuits ou de friandises lorsque vous utilisez de la graisse tartinable à faible teneur en matières grasses. Plus la teneur en matières grasses d'une graisse tartinable est faible, plus la différence est appréciable.

En vertu des normes fédérales, les produits étiquetés comme étant de la «margarine» doivent contenir au moins 80 % de matières grasses. Par contre, les graisses tartinables à faible teneur en matières grasses contiennent moins de gras et plus d'eau. La forte teneur en eau de ces graisses tartinables affecte la texture et la saveur des produits de boulangerie. Pour obtenir de bons résultats avec vos anciennes recettes préférées, utilisez de la margarine, du beurre ou de la graisse à tartiner contenant au moins 70 % d'huile végétale.

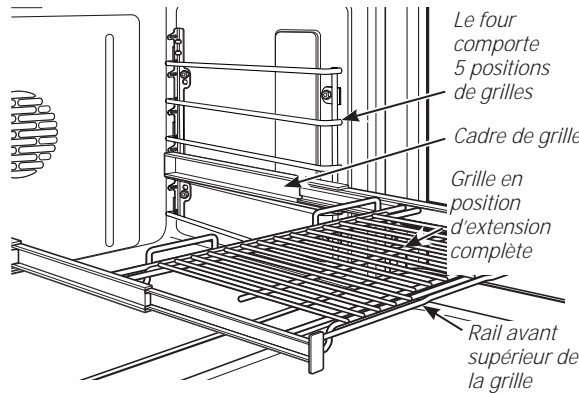
Grilles de four à extension complète



Afin d'éviter de vous brûler, placez les grilles à la bonne position avant de mettre le four en marche.

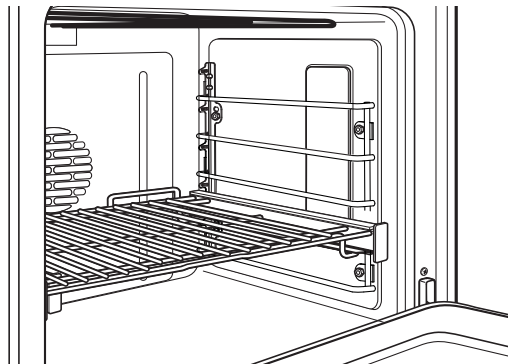
La position de rail correcte dépend du type d'aliment et du brunissage désiré.

Le cadre des grilles s'adapte aux supports à grille des deux côtés. Une fois le cadre de grille en place, utilisez le rail avant supérieur de la grille pour tirer celle-ci en position d'extension complète, lorsque vous placez ou retirez un plat de cuisson.

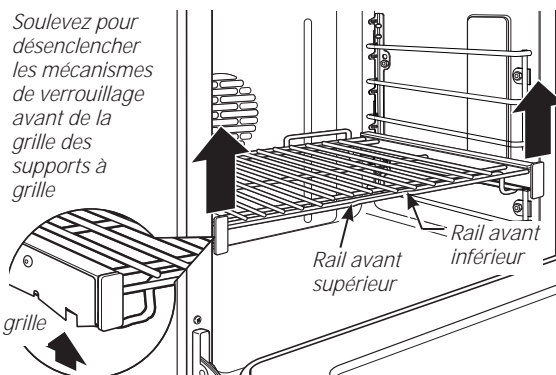


Pour enlever une grille :

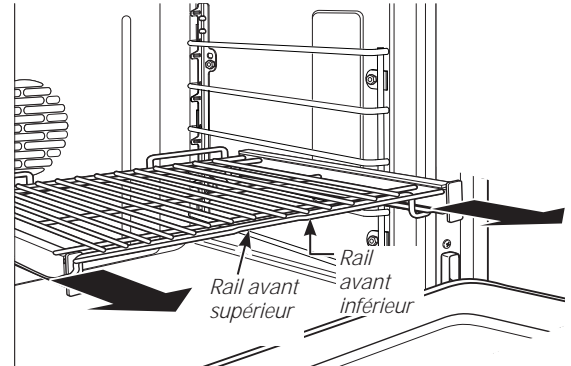
1. Assurez-vous que la grille est bien au fond du four.



2. Saisissez la grille à la fois par son rail avant supérieur et son rail avant inférieur et soulevez-la vers le haut de manière à désenclencher les mécanismes de verrouillage avant de la grille des supports à grille.

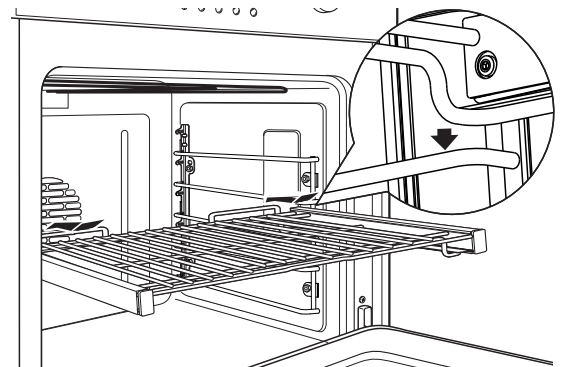


3. Alors que vous tenez fermement les rails avant supérieur et inférieur, tirez la grille vers l'avant et retirez-la du four.

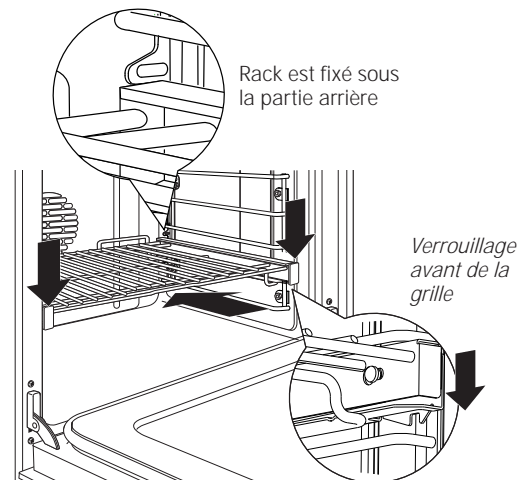


Pour remettre une grille en place :

1. Placez la grille sur les supports de grille (cinq positions de grille disponibles incluant la position supérieure).

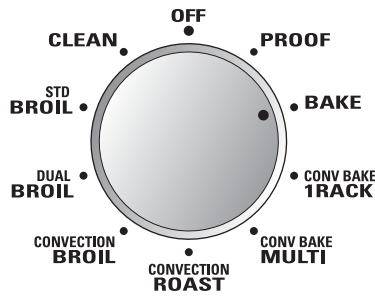


2. Glissez complètement la grille jusqu'à ce qu'elle se fixe aux supports arrière et appuyez sur le devant de la grille sur les supports frontaux. Glissez complètement la grille et assurez-vous que cette dernière est verrouillée.

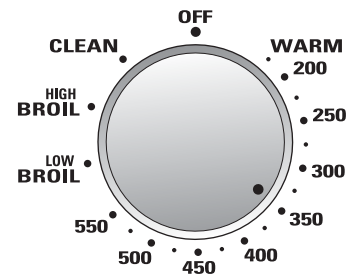


Glissez la grille complètement vers l'intérieur et poussez vers le bas de manière à enclencher les mécanismes de verrouillage avant sur les supports avant de la grille.

Comment régler une cuisson



Bouton de sélection du mode de cuisson



Bouton de sélection de la température

- 1 Tournez le bouton de sélection du mode cuisson à BAKE (cuisson).
- 2 À l'aide du bouton de sélection de la température, réglez la température désirée, par incrément de 25 °F, de 200 °F à 550 °F (93 °C à 288 °C).

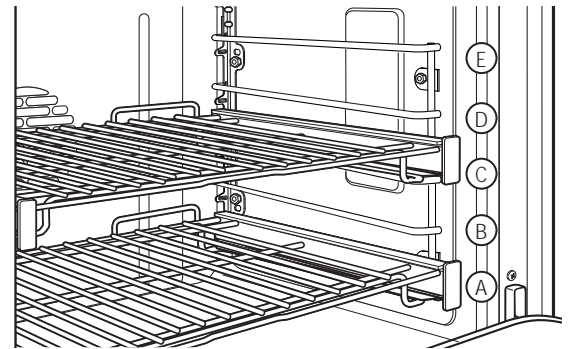
Le four et les ampoules intérieures du four s'allument immédiatement et demeurent allumés jusqu'à ce que le four soit éteint.

Le ventilateur à convection se met en marche (après un court délai), l'indicateur lumineux PREHEAT (préchauffage) s'allume et l'afficheur indique 100 °F (38 °C). (La température affichée commence à changer une fois que la température du four atteint 100 °F [38 °C].) La commande émet un signal sonore (bip) une fois que le four est préchauffé, ce qui prend environ de 10 à 15 minutes. L'indicateur lumineux PREHEAT (préchauffage) s'éteint et l'afficheur indique la température de réglage.

Les aliments peuvent être placés dans le four une fois que le voyant lumineux PREHEAT (préchauffage) s'est éteint.

- 3 Vérifiez si les aliments sont prêts au temps minimum indiqué dans la recette. Faites cuire plus longtemps au besoin.
- 4 Tournez le bouton de sélection du mode cuisson et le bouton de sélection de la température à OFF (arrêt) une fois la cuisson terminée.

REMARQUE : un ventilateur de refroidissement se met en marche pour refroidir les pièces internes. Cela est normal et il se peut que le ventilateur continue à fonctionner même après que le four soit éteint.



Le four possède 5 positions de grille. Reportez-vous à la section Grilles de four à extension complète pour les instructions sur l'utilisation, l'enlèvement et la remise en place des grilles.

Type d'aliment	Position de la grille
Gâteau des anges	A
Biscuits ou muffins	B ou C
Biscuits ou petits gâteaux	B ou C
Carrés au chocolat	B ou C
Gâteaux à étages	B ou C
Gâteaux moulés et quatre-quarts	A ou B
Tartes et fonds de tarte	B ou C
Une seule tarte	B ou C
Tartes congelées	B ou C (sur plaque à pâtisserie)
Casseroles	B ou C

Présentation de la cuisson au grilloir

Différents éléments de grillage sont utilisés pour chaque mode de cuisson au grilloir, tel que décrit ci-dessous. Il y a 3 modes de cuisson au grilloir, et pour chacun, un réglage **HI** et **LO** (haut et bas).

- Le réglage **HI** (haut) peut être utilisé pour enfermer les jus à l'intérieur et fournir un brunissage intense ou un grillage lorsque nécessaire (une grille en position supérieure sera alors utilisée).
- Le réglage **LO** (bas) peut être utilisé lorsque les aliments requièrent un brunissage adéquat et nécessitent aussi d'être cuits de part en part (une grille en position basse sera utilisée pour les pièces plus grosses telles que le filet de porc ou le bifteck de flanc roulé).

Dual Broil (cuisson au grilloir à 2 éléments) : les éléments de grillage intérieur et extérieur sont tous deux utilisés pour ce mode de cuisson au grilloir. Utilisez ce mode lorsque la lèchefrite est entièrement chargée d'aliments. Reportez-vous à la section *Comment régler le four pour la cuisson au grilloir*.

HI (haut) (lèchefrite entièrement chargée) : hamburgers; légumes grillés tels que poivrons entiers, aubergines, maïs, légumes coupés assortis, kebabs et viandes tranchées très minces telles que les côtelettes de porc fumées

LO (bas) (lèchefrite entièrement chargée) : filets de poisson

Std Broil (cuisson au grilloir à 1 élément) : utilise l'élément intérieur seulement (pour les plus petites quantités de nourriture). Reportez-vous à la section *Comment régler le four pour la cuisson au grilloir*.

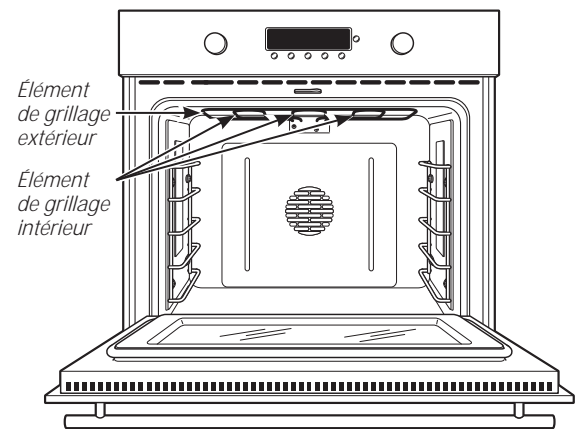
HI (haut) (petite quantité de nourriture) : 2 à 4 hamburgers ou côtelettes de porc ou tranches de bœuf de 1,25 à 2,5 cm (0,5 à 1 po)

LO (bas) (petite quantité de nourriture) : 2 à 4 poitrines de poulet ou filets de poisson

Convection Broil Cuisson au grilloir par convection : les éléments de grillage intérieur et extérieur sont tous deux utilisés ainsi que le ventilateur à convection. Reportez-vous à la section *Comment régler le four pour la cuisson au grilloir par convection*.

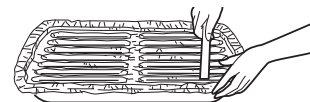
HI (haut) : tranches de bœuf de 3,75 à 5 cm (1,5 à 2 po), bifteck de flanc roulé et poitrines de poulet (enferme les jus sans brunissage excessif)

LO (bas) : gros filets de porc ou rôtis de bœuf (permet le brunissage adéquat et une cuisson complète)

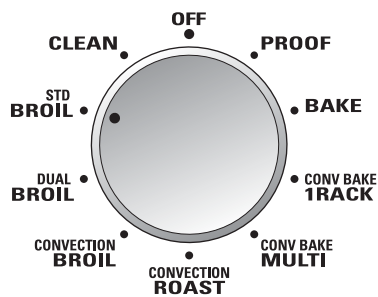


Papier d'aluminium

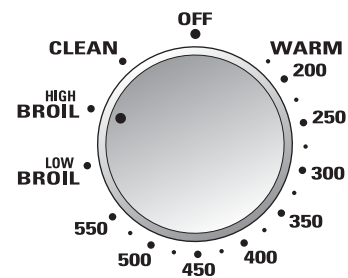
Vous pouvez utiliser du papier d'aluminium comme doublure pour la lèchefrite et sa grille. Par contre, vous devez placer le papier bien ajusté sur la grille et découper des fentes semblables à celles de la grille.



Comment régler un grillage dans votre four

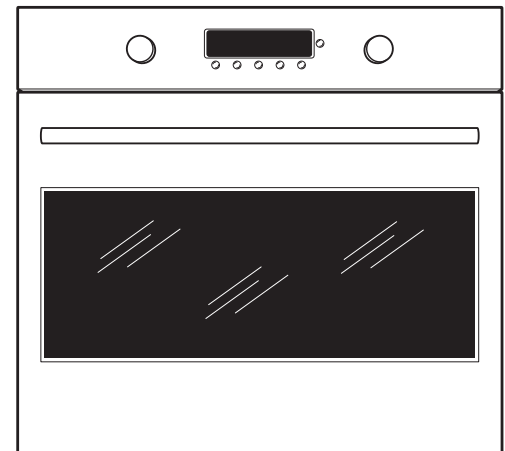


Bouton de sélection du mode de cuisson



Bouton de sélection de la température

- 1 Si la pièce de viande comporte du gras ou du cartilage sur le pourtour, faites des entailles verticales dans les deux à environ 5 cm (2 po) d'intervalle. Si désiré, le gras peut être enlevé, pour ne laisser qu'une couche de 0,3 cm (1/8 po).
- 2 Placez la viande ou le poisson sur la lèchefrite et sa grille. Utilisez toujours la grille pour que tout le gras tombe dans la lèchefrite; sinon, les jus pourraient devenir suffisamment chauds pour s'enflammer.
- 3 Placez la grille dans le four.
- 4 Fermez la porte. **Fermez toujours la porte lorsque vous cuisinez au grilloir.**
- 5 Tournez le bouton de sélection du mode cuisson à DUAL BROIL (cuisson au grilloir à 2 éléments) (pour les grandes quantités de nourriture) ou STD BROIL (cuisson au grilloir à 1 élément) (pour les plus petites quantités de nourriture).
- 6 Tournez le bouton de sélection de la température à LOW BROIL (cuisson basse au grilloir) ou HIGH BROIL (cuisson haute au grilloir). La température de cuisson au grilloir est alors réglée automatiquement. LO ou HI (bas ou haut) apparaît sur l'afficheur selon la température de cuisson au grilloir sélectionnée.
Le four et les ampoules intérieures du four s'allument immédiatement et demeurent allumés jusqu'à ce que le four soit éteint.
- 7 Lorsque la cuisson au grilloir est terminée, tournez à OFF (arrêt) le bouton de sélection du mode cuisson et le bouton de sélection de la température.



Fermez la porte. Fermez toujours la porte lorsque vous cuisinez au grilloir.

REMARQUE : un ventilateur de refroidissement se met en marche pour refroidir les pièces internes. Cela est normal et il se peut que le ventilateur continue de fonctionner même après que le four soit éteint.

Le préchauffage n'est pas nécessaire pour la plupart des cuissons au grilloir. Cependant, les languettes de viande ou de poisson fines par exemple, peuvent nécessiter une courte période de préchauffage de 2 à 3 minutes pour permettre à la surface des aliments de brunir tout en cuisant entièrement.

Ne retournez les aliments qu'une seule fois pendant la cuisson au grilloir.

REMARQUE : il n'est pas possible de griller si la sonde de température est branchée. Ne laissez jamais votre sonde à l'intérieur du four lors d'un cycle de cuisson au grilloir.

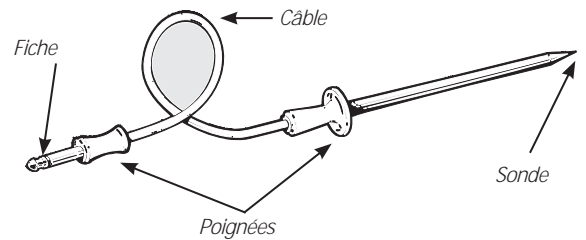
Sonde thermique

Dans le cas de nombreux aliments, plus particulièrement dans celui des rôtis et de la volaille, la température interne de l'aliment constitue le meilleur moyen d'en évaluer la cuisson. Grâce à la sonde thermique, plus besoin de deviner la durée du rôtissage.

Si vous utilisez une autre sonde que celle fournie avec votre four, cela pourrait l'endommager.

Saisissez la sonde par la poignée lorsque vous l'insérez dans la viande et la retirez du four et lorsque vous l'en retirez.

- Pour ne pas endommager votre sonde, n'utilisez pas de pinces pour tirer sur le câble lorsque vous l'enlevez.
- Assurez-vous que l'aliment est complètement décongelé avant d'insérer la sonde, afin d'éviter de la casser.
- Pour éviter tout risque de brûlures, ne débranchez la sonde de la prise que lorsque le four a refroidi.
- Ne laissez jamais votre sonde à l'intérieur du four lors d'un cycle de cuisson au grilloir ou d'autonettoyage.
- Ne laissez pas la sonde dans le four.



La sonde thermique ressemble à une broche pourvue à une extrémité d'une fiche que vous devez brancher dans la prise aménagée dans la voûte du four.

Positionnement correct de la sonde

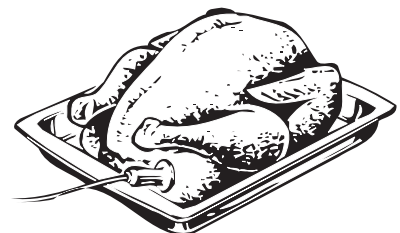
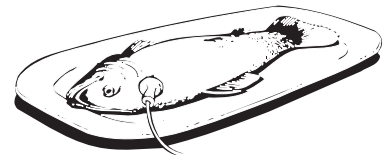
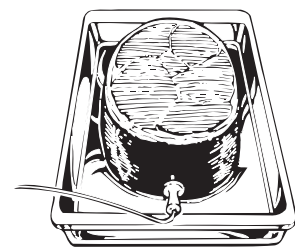
Après avoir préparé la viande et l'avoir placée sur une grille dans une lèchefrite, suivez les étapes ci-dessous pour bien positionner la sonde.

- La pointe de la sonde doit être placée au centre de la partie la plus épaisse de la viande du rôti.
- La sonde doit être insérée complètement dans la viande, jusqu'à la poignée, pour qu'elle puisse indiquer la température correctement. Elle ne devrait pas toucher l'os, le gras ou le cartilage.

Dans le cas d'un rôti désossé, insérez la sonde dans la partie coupée, dans la région la plus charnue. Dans le cas d'un jambon ou d'un gigot avec os, insérez la sonde jusqu'au centre du muscle inférieur le plus gros ou de l'articulation.

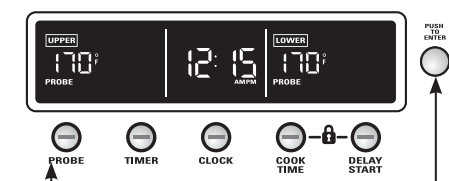
Insérez la sonde au centre du plat, par exemple un pain de viande ou une casserole. Pour la cuisson du poisson, insérez la sonde juste au-dessus des branchies, dans la partie la plus charnue, parallèlement à l'arête.

Insérez la sonde dans la partie la plus charnue de l'intérieur de la cuisse, par le dessous et parallèlement au pilon de la dinde.



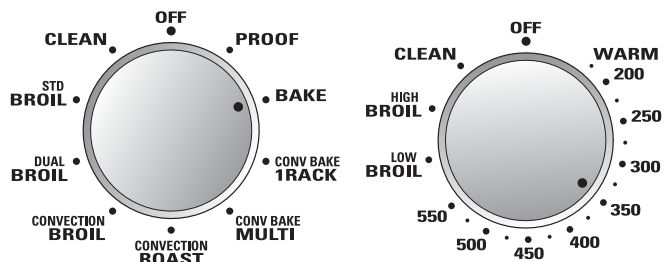
Comment régler un rôtissage avec la sonde thermique

Illustration de l'afficheur du four double



Enfoncez pour sélectionner

Bouton de sélection miniature
Tournez pour sélectionner
Enfoncez pour saisir



Bouton de sélection du mode de cuisson

Bouton de sélection de la température

- 1 Insérez la sonde dans la viande.
- 2 Branchez la sonde dans la prise aménagée dans le four. Assurez-vous qu'elle est bien branchée. Refermez la porte du four.
- 3 Enfoncez le bouton **PROBE** (sonde).

REMARQUE : sur les modèles de four mural double, la commande du four sélectionne automatiquement le four sur lequel la sonde est branchée.

- 4 Tournez le bouton de sélection miniature pour sélectionner et enfoncez pour saisir la température interne désirée pour les aliments ou la viande. Les températures internes minimum et maximum pour la nourriture que vous pouvez saisir sont 100 °F à 200 °F (38 °C à 93 °C).

L'indicateur lumineux PROBE (sonde) clignote sur l'afficheur si la sonde est insérée dans la prise mais que vous n'avez pas saisi une température pour celle-ci.

- 5 Tournez le bouton de sélection du mode cuisson à BAKE (cuisson). Pour le rôtissage par convection avec la sonde, reportez-vous à la section *Comment régler un rôtissage par convection avec la sonde thermique*.

- 6 À l'aide du bouton de sélection de la température, réglez la température désirée, par incrément de 25 °F, de 200 °F à 550 °F (93 °C à 288 °C).

Le four et les ampoules intérieures du four s'allument immédiatement et demeurent allumés jusqu'à ce que le four soit éteint.

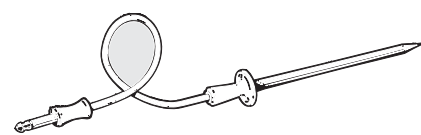
Le ventilateur à convection se met en marche (après un court délai), l'indicateur lumineux PROBE (sonde) s'allume et l'afficheur indique 100 °F (38 °C). (La température affichée commence à changer une fois que la température intérieure de la viande atteint 100 °F [38 °C].)

- 7 Une fois que la température intérieure de la viande a atteint la température désirée, la sonde et le four s'éteignent, le mot END (fin) apparaît sur l'afficheur et le four émet un signal sonore (bip). (L'indicateur lumineux PROBE [sonde] demeure allumé ainsi que la sonde de température.) Pour arrêter le signal sonore (bip), tournez à OFF (arrêt) le bouton de sélection du mode cuisson et le bouton de sélection de la température ou enfoncez le bouton de sélection miniature. Utilisez des poignées chaudes pour retirer la sonde des aliments. N'utilisez pas de pinces pour la retirer—vous risquez de l'endommager.

L'indicateur lumineux PROBE (sonde) clignote sur l'afficheur jusqu'à ce que la sonde soit retirée du réceptacle du four.

Pour changer le réglage de la température interne des aliments ou de la viande (sonde) au cours du cycle de rôtissage, enfoncez le bouton **PROBE** (sonde), tournez le bouton de sélection miniature pour sélectionner la nouvelle température et enfoncez pour la saisir.

- Vous pouvez utiliser la minuterie même si vous ne pouvez effectuer une cuisson minutée.



⚠ MISE EN GARDE

Pour éviter tout risque de brûlures, ne débranchez la sonde de la prise que lorsque le four a refroidi. Ne laissez pas la sonde dans le four.

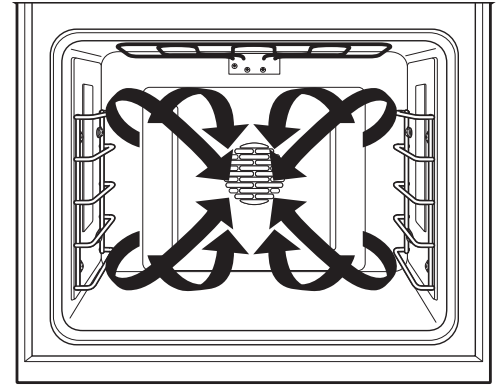
Ventilateur de convection

Dans un four à convection, l'air chaud circule au-dessus, au-dessous et autour des aliments grâce à un ventilateur.

L'air est ainsi distribué uniformément dans toute la cavité du four. Par conséquent, les aliments sont cuits uniformément et dorés à point—et la durée de cuisson est souvent plus courte que dans un four ordinaire.

REMARQUE : Le ventilateur de convection se met en marche et s'arrête pendant la cuisson pour mieux distribuer l'air chaud dans le four.

Le ventilateur du four à convection s'éteint lorsque vous ouvrez la porte du four. Ne laissez PAS la porte ouverte pendant de longues périodes lorsque vous avez programmé une cuisson par convection sinon, vous risquez d'écourter la durée de l'élément chauffant du système à convection.



Casseroles pour la cuisson par convection

Avant d'utiliser votre four à convection, vérifiez s'il y a suffisamment d'espace autour de votre plat de cuisson pour assurer une bonne circulation de l'air dans le four. Si vous utilisez plusieurs plats, laissez de l'espace entre eux. Assurez-vous également qu'ils n'entrent pas en contact avec d'autres casseroles ou avec les parois du four.

Papier et plastique

Vous pouvez utiliser dans le four à convection les contenants de plastique ou de papier résistant à la chaleur, recommandés par leur fabricant pour utilisation dans un four ordinaire. Les plats de cuisson en plastique résistant à une température de 400 °F (200 °C) conviennent également.

REMARQUE : ne laissez aucun papier ou plastique en contact avec l'élément de grillage supérieur.

Métal et verre

Vous pouvez utiliser n'importe quel type de plats de cuisson dans votre four à convection. Toutefois, ce sont les plats en métal qui chauffent le plus rapidement. Ils sont d'ailleurs recommandés pour la cuisson par convection.

Les plats de couleur foncée ou au fini mat assurent une cuisson plus rapide que les plats luisants.

Les plats en verre ou en céramique assurent une cuisson plus lente.

Lorsque vous préparez des biscuits, vous obtiendrez de meilleurs résultats si vous utilisez une plaque à biscuit plate plutôt qu'un moule à bords bas.

Dans le cas de certaines recettes, comme le poulet au four, utilisez un plat dont les parois sont peu élevées. L'air chaud ne peut circuler adéquatement autour de l'aliment lorsque celui-ci est placé dans un plat à parois élevées.

Pour adapter vos recettes

Vous pouvez vous servir de vos recettes préférées dans le four à convection.

Pour cuire à convection, réduisez la température de cuisson de 25 °F (14 °C). Aucun ajustement de température n'est requis pour le rôtissage par convection.

Utilisez le format de casserole recommandé dans la recette.

L'emballage de certains plats principaux ou plats surgelés comportent des directives conçues pour les fours à convection commerciaux. Pour obtenir de bons résultats dans votre four, faites réchauffer le four et réglez la température indiquée sur l'emballage.

Cuisson par convection sur 1 grille

Pour la cuisson par convection sur 1 seule grille, utilisez CONV BAKE 1 RACK et pour de meilleurs résultats, placez la grille à la position B ou C au centre du four. Les temps de cuisson peuvent être inférieurs à ceux prévus; il faut donc vérifier

les aliments plus tôt que ce qui est indiqué sur le paquet afin de s'assurer de ne pas trop cuire. Idéal pour préparer avec succès de larges casseroles et des lasagnes.

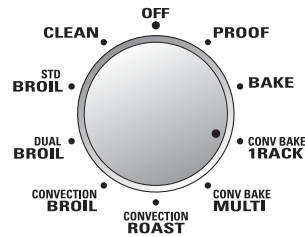
Cuisson à convection avec plusieurs grilles

Parce que l'air chaud circule uniformément dans le four, la cuisson des aliments sur plusieurs grilles à la fois donne d'excellents résultats.

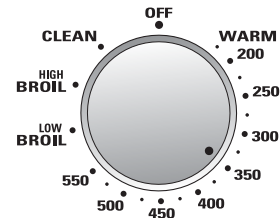
Le temps requis pour la cuisson sur plusieurs grilles pourrait augmenter un peu pour certains aliments, mais le temps d'ensemble est conservé puisque deux à trois fois plus d'aliments peuvent être préparés en même temps.

Vous obtiendrez d'excellents résultats en cuisant à convection avec plusieurs grilles les biscuits, les muffins, les petits gâteaux et les petits pains.

Comment régler une cuisson par convection



Bouton de sélection du mode de cuisson



Bouton de sélection de la température

La cuisson par convection est idéale pour le brunissage uniforme d'aliments cuits sur une ou plusieurs grilles.

Lorsque réglé pour la cuisson par convection, l'élément de cuisson arrière et le ventilateur fonctionnent dès que le four commence à chauffer.

1 Tournez le bouton de sélection du mode cuisson à CONVECTION BAKE/1 RACK pour la cuisson par convection sur 1 grille. Ce mode est utilisé pour faire cuire les aliments sur une seule grille dans le four à convection.

Tournez le bouton de sélection du mode cuisson à CONVECTION BAKE/MULTI (Convection Bake Multi mode) pour la cuisson par convection sur plusieurs grilles. Ce mode sert à préparer les aliments sur plus d'une grille (soit 2, 3 ou plus) en même temps pour la cuisson par convection. Reportez-vous à la section *Cuisson par convection sur plusieurs grilles* pour plus d'information.

Type d'aliment	Position de la grille
Biscuits (1 grille)	B ou C
Biscuits (2 grilles)	A & C ou B & D
Muffins et petits gâteaux (1 grille)	B ou C
Muffins et petits gâteaux (2 grilles)	A & C ou B & D
Biscuits (1 grille)	B ou C
Biscuits (3 grilles)	A, C & E
2 gâteaux à étages (1 grille)	B ou C
4 gâteaux à étages (2 grilles)	A & C ou B & D
1 tarte congelée (1 grille)	B ou C (sur plaque à pâtisserie)
2 tartes congelées (2 grilles)	A & C ou B & D (sur plaque à pâtisserie)
Casseroles (1 grille)	B ou C
Pizza congelée de 30 cm (12 po) (1 grille)	B ou C
2 Pizzas congelées de 30 cm (12 po) (2 grilles)	A & C ou B & D
Rôtissage (tranches de viande épaisses, dindons, etc.)	A, B ou C

REMARQUE : ces positions de grilles sont suggérées; utilisez celles qui donnent les meilleurs résultats. Les grilles A et D sont une autre suggestion.

2 À l'aide du bouton de sélection de la température, réglez la température désirée, par incrément de 25 °F, de 200 °F à 550 °F (93 °C à 288 °C).

Le four et les ampoules intérieures du four s'allument immédiatement et demeurent allumés jusqu'à ce que le four soit éteint.

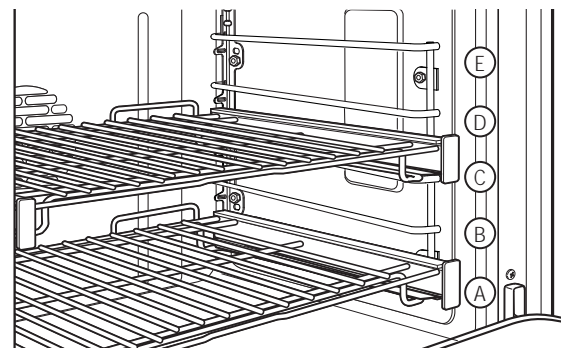
Le ventilateur à convection se met en marche (après un court délai), l'indicateur lumineux PREHEAT (préchauffage) s'allume et l'afficheur indique 100 °F (38 °C). (La température affichée commence à changer une fois que la température du four a atteint 100 °F [38 °C].) La commande émet un signal sonore (bip) une fois que le four est préchauffé, ce qui prend environ de 10 à 15 minutes. L'indicateur lumineux PREHEAT (préchauffage) s'éteint et l'afficheur indique la température de réglage.

Les aliments peuvent être placés dans le four une fois que le voyant lumineux PREHEAT (préchauffage) s'est éteint.

3 Vérifiez si les aliments sont prêts au temps minimum prévu dans la recette. Faites cuire plus longtemps au besoin.

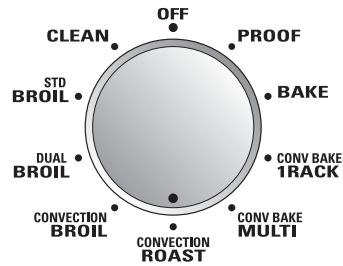
4 Tournez à OFF (arrêt) le bouton de sélection du mode cuisson et le bouton de sélection de la température une fois la cuisson par convection terminée.

REMARQUE : un ventilateur de refroidissement se met en marche pour refroidir les pièces internes. Cela est normal et il se peut que le ventilateur continue de fonctionner même après que le four soit éteint.

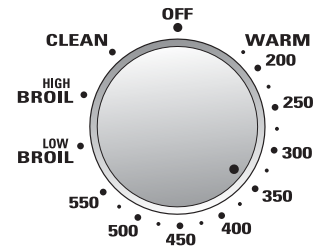


Le four possède 5 positions de grille. Reportez-vous à la section *Grilles de four à extension complète* pour les instructions sur l'utilisation, l'enlèvement et la remise en place des grilles.

Comment régler un rôtissage par convection



Bouton de sélection du mode de cuisson



Bouton de sélection de la température

Le rôtissage par convection convient pour les grosses pièces de viande tendre, à découvert.

- 1 Tournez le bouton de sélection du mode cuisson à CONVECTION ROAST (rôtissage par convection).
- 2 À l'aide du bouton de sélection de la température, réglez la température désirée, par incrément de 25 °F, de 200 °F à 550 °F (93 °C à 288 °C).

Le four et les ampoules intérieures du four s'allument immédiatement et demeurent allumés jusqu'à ce que le four soit éteint.

Le ventilateur à convection se met en marche (après un court délai), l'indicateur lumineux PREHEAT (préchauffage) s'allume et l'afficheur indique 100 °F (38 °C). (La température affichée commence à changer une fois que la température du four a atteint 100 °F [38 °C].) La commande émet un signal sonore

(bip) une fois que le four est préchauffé, ce qui prend environ de 10 à 15 minutes. L'indicateur lumineux PREHEAT (préchauffage) s'éteint et l'afficheur indique la température de réglage.

- 3 Vérifiez si les aliments sont prêts au temps minimum indiqué dans la recette. Faites cuire plus longtemps au besoin.
- 4 Tournez le bouton de sélection du mode cuisson et le bouton de sélection de la température à OFF (arrêt) une fois la cuisson terminée.

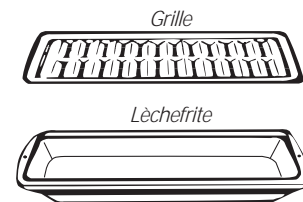
REMARQUE : un ventilateur de refroidissement se met en marche pour refroidir les pièces internes. Cela est normal et il se peut que le ventilateur continue à fonctionner même après que le four soit éteint.

Conseils pour le rôtissage par convection

En utilisant la lèchefrite et sa grille pour rôtir, l'air réchauffé circule au-dessus, au-dessous et autour des aliments pendant le rôtissage. L'air réchauffé enferme les jus rapidement, ce qui donne un intérieur tendre et juteux tout en créant un extérieur d'un brun doré.

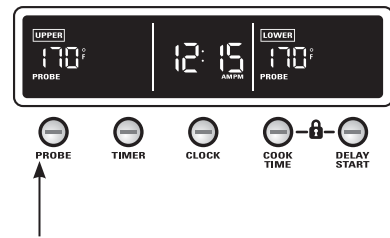
Lorsque vous faites rôtir par convection, il est important d'utiliser la lèchefrite et sa grille. La lèchefrite sert à recueillir les écoulements de gras et la grille sert à empêcher les éclaboussures de gras et à permettre à l'air réchauffé de circuler sous la viande et d'ainsi augmenter le brunissage sur le dessous de la viande ou de la volaille.

- Placez la grille sur la lèchefrite.



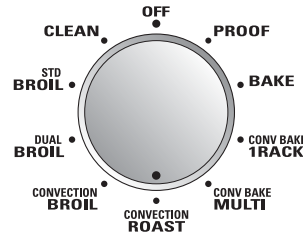
Comment régler un rôtissage par convection avec la sonde thermique

Illustration de l'afficheur du four double.

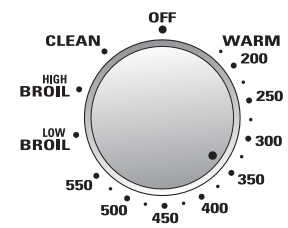


Enfoncez pour sélectionner

Bouton de sélection miniature
Tournez pour sélectionner
Enfoncez pour saisir



Bouton de sélection du mode de cuisson



Bouton de sélection de la température

Reportez-vous à la section *Conseils pour le rôtissage par convection*.

- 1 Placez la grille à la position désirée et insérez la sonde dans la viande.
- 2 Branchez la sonde dans la prise aménagée dans le four. Assurez-vous qu'elle est bien enfoncée dans la prise. Fermez la porte du four.
- 3 Enfoncez le bouton **PROBE** (sonde).

REMARQUE : sur les modèles de four mural double, la commande du four sélectionne automatiquement le four sur lequel la sonde est branchée.

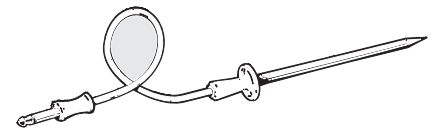
- 4 Tournez le bouton de sélection miniature pour sélectionner et enfoncez pour saisir la température interne désirée pour les aliments ou la viande. Les températures internes minimum et maximum pour la nourriture que vous pouvez saisir sont 100 °F à 200 °F (38 °C à 93 °C).

L'indicateur lumineux PROBE (sonde) clignote sur l'afficheur si la sonde est insérée dans la prise mais que vous n'avez pas saisi une température pour celle-ci.

- 5 Tournez le bouton de sélection du mode cuisson à CONVECTION ROAST (rôtissage par convection).
- 6 À l'aide du bouton de sélection de la température, réglez la température désirée, par incrément de 25 °F, de 200 °F à 550 °F (93 °C à 288 °C).

Le four et les ampoules intérieures du four s'allument immédiatement et demeurent allumés jusqu'à ce que le four soit éteint.

Le ventilateur à convection se met en marche (après un court délai), l'indicateur lumineux PROBE (sonde) s'allume et l'afficheur indique 100 °F (38 °C). (La température affichée commence à changer une fois que la température intérieure de la viande atteint 100 °F [38 °C].)



⚠ MISE EN GARDE :

Pour éviter tout risque de brûlures, ne débranchez la sonde de la prise que lorsque le four a refroidi. Ne laissez pas la sonde dans le four.

- 7 Une fois que la température intérieure de la viande a atteint la température désirée, la sonde et le four s'éteignent, le mot END (fin) apparaît sur l'afficheur et le four émet un signal sonore (bip). (L'indicateur lumineux PROBE [sonde] demeure allumé ainsi que la sonde de température.) Pour arrêter le signal sonore (bip), tournez à OFF (arrêt) le bouton de sélection du mode cuisson et le bouton de sélection de la température ou enfoncez le bouton de sélection miniature. Utilisez des poignées chaudes pour retirer la sonde des aliments. N'utilisez pas de pinces pour la retirer—vous risquez de l'endommager.

L'indicateur lumineux PROBE (sonde) clignote sur l'afficheur jusqu'à ce que la sonde soit retirée du réceptacle du four.

Pour changer le réglage de la température interne des aliments ou de la viande (sonde) au cours du cycle de rôtissage, enfoncez le bouton **PROBE** (sonde), tournez le bouton de sélection miniature pour sélectionner la nouvelle température et enfoncez pour la saisir.

- Si vous retirez la sonde de l'aliment avant que la température finale ait été atteinte, une tonalité se fait entendre et l'écran d'affichage clignote jusqu'à ce que vous enleviez la sonde du four.
- Vous pouvez utiliser la minuterie même si vous ne pouvez effectuer une cuisson minutée.

Rôtissage par convection

Four mural

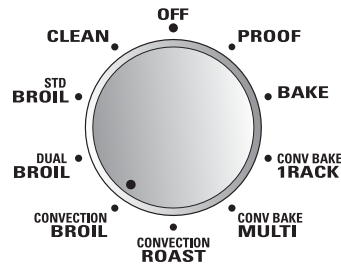
Guide de rôtissage par convection

Viande		Minutes/lb	Temp. du four	Temp. interne	
Boeuf	Côtes, entrecôte, haut de surlonge (3 à 5 lb [1,4 à 2,3 kg])	Saignant À point Bien cuit	20–24 24–28 28–32	325 °F (163 °C) 325 °F (163 °C) 325 °F (163 °C)	140 °F (60 °C)† 160 °F (71 °C) 170 °F (82 °C)
	Filet	Saignant À point	10–14 14–18	325 °F (163 °C) 325 °F (163 °C)	140 °F (60 °C)† 160 °F (71 °C)
Porc	Désossé ou non (3 à 5 lb [1,4 à 2,3 kg])		23–27	325 °F (163 °C)	170 °F (82 °C)
	Côtelettes (1/2 à 1 po [1,3 à 2,5 cm] d'épaisseur)	2 côtelettes	30–35 au total	325 °F (163 °C)	170 °F (82 °C)
		4 côtelettes	35–40 au total	325 °F (163 °C)	170 °F (82 °C)
	6 côtelettes	40–45 au total	325 °F (163 °C)	170 °F (82 °C)	
Jambon	En conserve, soc, jarret (3 à 5 lb [1,4 à 2,3 kg], cuit)		14–18	325 °F (163 °C)	140 °F (60 °C)
Agneau	Désossé ou non (3 à 5 lb [1,4 à 2,3 kg])	À point	17–20	325 °F (163 °C)	160 °F (71 °C)
		Bien cuit	20–24	325 °F (163 °C)	170 °F (82 °C)
Fruits de mer	Poisson, entier (3 à 5 lb [1,4 à 2,3 kg])		30–40 au total	400 °F (204 °C)	
	Queues de homard (6 à 8 oz [0,17 à 0,22 kg] ch.)		20–25 au total	350 °F (177 °C)	
Volaille	Poulet entier (2½ à 3½ lb [1,1 à 1,6 kg])		24–26	350 °F (177 °C)	180°–185 °F (82°–85 °C)
	Poulets de Cornouailles non farcis (1 à 1½ lb [0,45 à 0,7 kg])		50–55 au total	350 °F (177 °C)	180°–185 °F (82°–85 °C)
		Farcis (1 à 1½ lb [0,45 à 0,7 kg])		55–60 au total	350 °F (177 °C)
	Canard (4 à 5 lb [1,8 à 2,3 kg])		24–26	325 °F (163 °C)	180°–185 °F (82°–85 °C)
	Dinde, entière*				
Non farcie (10 à 16 lb [4,5 à 7,3 kg])		8–11	325 °F (163 °C)	180°–185 °F (82°–85 °C)	
Non farcie (18 à 24 lb [8,2 à 10,9 kg])		7–10	325 °F (163 °C)	180°–185 °F (82°–85 °C)	
Poitrine de dinde (4 à 6 lb [1,8 à 2,7 kg])		16–19	325 °F (163 °C)	170 °F (82 °C)	

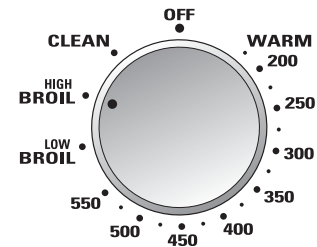
* Il faut généralement allonger la durée de rôtissage de 30 à 45 minutes pour la volaille farcie. Protégez les pilons et la poitrine avec du papier d'aluminium pour éviter un brunissage excessif et le dessèchement de la peau.

† Le ministère de l'Agriculture des États-Unis fait la mise en garde suivante : «Même si la consommation du boeuf saignant est très répandue, il faut savoir que lorsque la température interne de la viande atteint seulement 140 °F (60 °C), certains micro-organismes nuisibles pour la santé ne sont pas détruits.» (Source : *Safe Food Book, Your Kitchen Guide*, USDA, rév. juin 1985.)

Comment régler le four pour la cuisson au grilloir par convection



Bouton de sélection du mode de cuisson



Bouton de sélection de la température

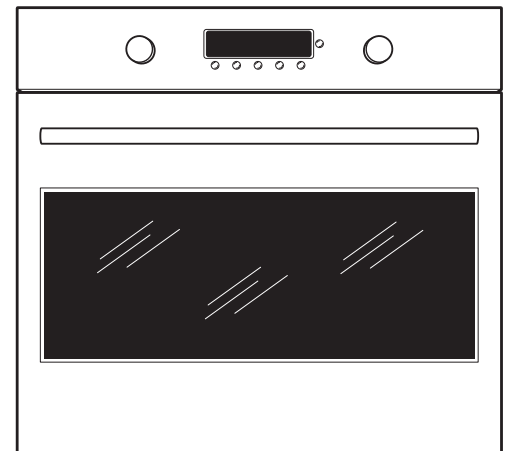
La cuisson au grilloir par convection convient pour la cuisson au grilloir du poisson et des coupes de viande plus petites. Lorsque le four est réglé pour la cuisson au grilloir par convection, les deux éléments du haut se mettent en marche lorsque la cuisson est lancée.

- 1 Si la pièce de viande comporte du gras ou du cartilage sur le pourtour, faites des entailles verticales dans les deux à environ 5 cm (2 po) d'intervalle. Si désiré, le gras peut être enlevé, pour ne laisser qu'une couche de 0,3 cm (1/8 po).
- 2 Placez la viande ou le poisson sur la lèchefrite et sa grille. Utilisez toujours la grille pour que tout le gras tombe dans la lèchefrite; sinon, les jus pourraient devenir suffisamment chauds pour s'enflammer.
- 3 Placez la grille dans le four.
- 4 Fermez la porte. **Fermez toujours la porte lorsque vous cuisinez au grilloir.**
- 5 Tournez le bouton de sélection du mode cuisson à CONVECTION BROIL (cuisson au grilloir par convection).
- 6 Tournez le bouton de sélection de la température à LOW BROIL (cuisson basse au grilloir) ou HIGH BROIL (cuisson haute au grilloir). La température de cuisson au grilloir est alors réglée automatiquement. LO ou HI (bas ou haut) apparaît sur l'afficheur selon la température de cuisson au grilloir sélectionnée.

Le four et les ampoules intérieures du four s'allument immédiatement et demeurent allumés jusqu'à ce que le four soit éteint.

Le ventilateur à convection se met en marche (après un court délai).

- 7 Lorsque la cuisson au grilloir est terminée, tournez à OFF (arrêt) le bouton de sélection du mode cuisson et le bouton de sélection de la température.



Fermez la porte. Fermez toujours la porte lorsque vous cuisinez au grilloir.

REMARQUE : un ventilateur de refroidissement se met en marche pour refroidir les pièces internes. Cela est normal et il se peut que le ventilateur continue de fonctionner même après que le four soit éteint.

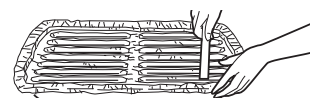
Le préchauffage n'est pas nécessaire pour la plupart des cuissons au grilloir. Cependant, les aliments qui cuisent rapidement, les languettes de viande ou de poisson fines par exemple, peuvent nécessiter une courte période de préchauffage de 2 à 3 minutes pour permettre à la surface des aliments de brunir tout en cuisant entièrement.

Ne retournez les aliments qu'une seule fois pendant la cuisson au grilloir.

REMARQUE : Il est impossible d'utiliser le mode de cuisson au grilloir par convection si la sonde de température est branchée. Ne laissez jamais votre sonde à l'intérieur du four lors d'un cycle de cuisson au grilloir.

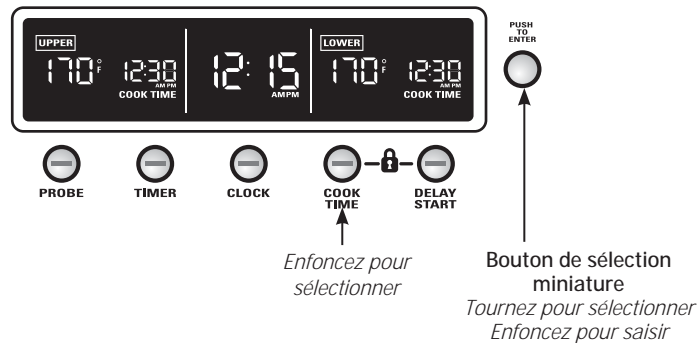
Papier d'aluminium

Vous pouvez utiliser du papier d'aluminium comme doublure pour la lèchefrite et sa grille. Par contre, vous devez placer le papier bien ajusté sur la grille et découper des fentes semblables à celles de la grille.



Cuisson à minuterie (mise en marche immédiate et arrêt automatique)

Illustration de l'afficheur du four double.



La cuisson à minuterie vous permet de mettre le four en marche immédiatement, de faire cuire pendant la période de temps sélectionnée et de programmer l'arrêt automatique.

Afin de programmer la mise en marche immédiate et l'arrêt automatique du four :

REMARQUE : avant de commencer, assurez-vous que l'horloge affiche la bonne heure.

Afin d'éviter de vous brûler, placez les grilles à la bonne position avant de mettre le four en marche.

- 1 Tournez le bouton de sélection du mode cuisson à la fonction de cuisson désirée.

REMARQUE : la cuisson à minuterie ne peut être utilisée pour les modes Broil (cuisson au grilloir) et Proof (levage).

- 2 À l'aide du bouton de sélection de la température, réglez la température désirée, par incrément de 25 °F, de 200 °F à 550 °F (93 °C à 288 °C).

Le four et les ampoules intérieures du four s'allument immédiatement et demeurent allumés jusqu'à ce que le four soit éteint.

Le ventilateur à convection se met en marche (après un court délai), l'indicateur lumineux PREHEAT (préchauffage) s'allume et l'afficheur indique 100 °F (38 °C). (La température affichée commence à changer une fois que la température du four a atteint 100 °F

[38 °C].) La commande émet un signal sonore (bip) une fois que le four est préchauffé, ce qui prend environ de 10 à 15 minutes. L'indicateur lumineux PREHEAT (préchauffage) s'éteint et l'afficheur indique la température de réglage.

Les aliments peuvent être placés dans le four une fois que le voyant lumineux PREHEAT (préchauffage) s'est éteint.

- 3 Enfoncez le bouton **COOK TIME** (temps de cuisson).

REMARQUE : si votre recette exige que vous préchauffiez le four, vous devrez peut-être augmenter le temps de cuisson (environ 10 à 15 minutes).

- 4 Tournez le bouton de sélection miniature pour faire une sélection et enfoncez pour saisir le temps de cuisson désiré. (Le temps de cuisson maximal est de 9 heures et 59 minutes. Le temps de cuisson minimal est de 1 minute.)

L'afficheur indique COOK TIME (temps de cuisson) et le décompte du temps de cuisson.

REMARQUE : le décompte du temps de cuisson commence immédiatement.

Le four continue à cuire pour la période de temps programmée, puis s'éteint automatiquement.

Pour rappeler le temps de cuisson, enfoncez le bouton **COOK TIME** (temps de cuisson). Pour le changer, tournez et enfoncez le bouton de sélection miniature.

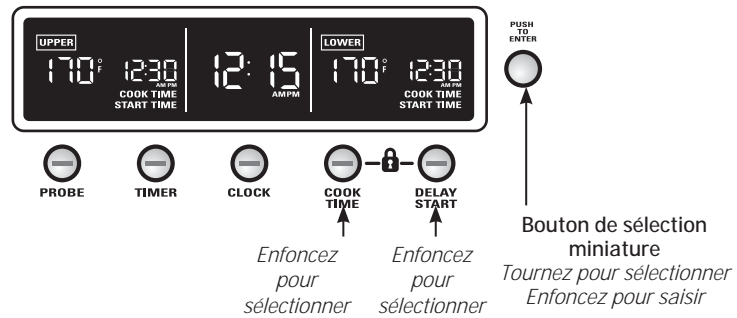
- 5 Lorsque la cuisson à minuterie a pris fin, le four s'éteint, 0:00 s'affiche en succession rapide, le mot END (fin) apparaît sur l'afficheur et la commande du four émet un signal sonore (bip). Pour arrêter le signal sonore (bip) de rappel, tournez à OFF (arrêt) le bouton de sélection du mode cuisson et le bouton de sélection de la température.

REMARQUE :

- Le réglage de température WARM (chaud) (l'afficheur indiquera 175 °F), offert sur ce four, permet de garder les aliments chauds. Les aliments gardés plus de deux heures au four à ces basses températures pourraient ne plus être propres à la consommation.
- Ne laissez jamais des aliments comme des produits laitiers, du poisson, de la farce, de la volaille et du porc reposer pendant plus d'une heure avant ou après la cuisson. Lorsque ces aliments sont laissés à la température de la pièce, cela favorise la prolifération de bactéries nocives.

Cuisson à minuterie (mise en marche différée et arrêt automatique)

Illustration de l'afficheur du four double.



La cuisson à minuterie avec DELAY START (démarrage différé) vous permet de mettre le four en marche à l'heure que vous avez choisie, de faire cuire durant la période sélectionnée et de programmer l'arrêt automatique. La fonction DELAY START (démarrage différé) ne peut être utilisée avec la fonction Sabbath.

Pour différer le début de la cuisson :

REMARQUE : avant de commencer, assurez-vous que l'horloge affiche la bonne heure.

Afin d'éviter de vous brûler, placez les grilles à la bonne position avant de mettre le four en marche.

REMARQUE : la cuisson à minuterie ne peut être utilisée pour les modes Broil (cuisson au grilloir) et Proof (levage).

- 1 Enfonchez le bouton **DELAY START** (démarrage différé). L'heure de la journée apparaît en succession rapide sur l'afficheur.
Pour les modèles de four double, enfonchez le bouton DELAY START (démarrage différé) une fois pour régler le four supérieur et deux fois pour régler le four inférieur.

- 2 Tournez le bouton de sélection miniature pour faire une sélection et enfonchez pour saisir l'heure de la journée à laquelle vous désirez que débute la cuisson.

- 3 Enfonchez le bouton **COOK TIME** (temps de cuisson).

REMARQUE : si votre recette exige que vous préchauffiez le four, vous devrez peut-être augmenter le temps de cuisson (environ 10 à 15 minutes).

- 4 Tournez le bouton de sélection miniature pour faire une sélection et enfonchez pour saisir le temps de cuisson désiré. (Le temps de cuisson maximal est de 9 heures et 59 minutes. Le temps de cuisson minimal est de 1 minute.)
- 5 Tournez le bouton de sélection du mode cuisson à la fonction de cuisson désirée.
- 6 À l'aide du bouton de sélection de la température, réglez la température désirée, par incrément de 25 °F, de 200 °F à 550 °F (93 °C à 288 °C).

Pour rappeler l'heure de démarrage, enfonchez le bouton **DELAY START** (démarrage différé). Pour le changer, tournez et enfonchez le bouton de sélection

miniature. Pour rappeler le temps de cuisson, enfonchez le bouton **COOK TIME** (temps de cuisson). Pour le changer, tournez et enfonchez le bouton de sélection miniature.

L'afficheur affiche à nouveau l'heure de la journée et **START TIME** (heure de démarrage) pour indiquer que le four est réglé. Une fois l'heure de démarrage atteinte, le four et les ampoules de four intérieures s'allument.

REMARQUE : le décompte du temps de cuisson commence lorsque l'heure de démarrage différé est atteinte. L'afficheur indique **COOK TIME** (temps de cuisson) et le décompte du temps de cuisson.

Le four continue à cuire pour la période de temps programmée, puis s'éteint automatiquement.

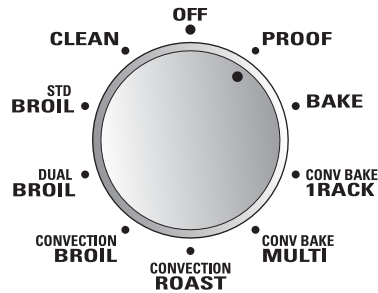
- 7 Lorsque la cuisson à minuterie a pris fin, le four s'éteint, 0:00 s'affiche en succession rapide, le mot **END** (fin) apparaît sur l'afficheur et la commande du four émet un signal sonore (bip). Pour arrêter le signal sonore (bip) de rappel, tournez à **OFF** (arrêt) le bouton de sélection du mode cuisson et le bouton de sélection de la température.

*Pour les modèles de four double, vous pouvez utiliser la cuisson à minuterie dans les deux fours en même temps. Tournez le bouton de sélection du mode cuisson et le bouton de sélection de la température du deuxième four aux réglages désirés. Enfonchez le bouton **COOK TIME** (temps de cuisson), tournez et enfonchez le bouton de sélection miniature pour saisir la durée de cuisson. Enfonchez le bouton **DELAY START** (démarrage différé), tournez et enfonchez le bouton de sélection miniature pour saisir l'heure.*

REMARQUE :

- Le réglage de température **WARM** (chaud) (l'afficheur indiquera 175 °F), offert sur ce four, permet de garder les aliments chauds. Les aliments gardés plus de deux heures au four à ces basses températures pourraient ne plus être propres à la consommation.
- Ne laissez jamais des aliments comme des produits laitiers, du poisson, de la farce, de la volaille et du porc reposer pendant plus d'une heure avant ou après la cuisson. Lorsque ces aliments sont laissés à la température de la pièce, cela favorise la prolifération de bactéries nocives.

Comment régler le four pour la fermentation



Bouton de sélection du mode de cuisson

La fonction de fermentation maintient une chaleur suffisante pour faire lever les produits à la levure.

Placez la pâte dans un plat couvert au four sur la grille A.

- 1 Tournez le bouton de sélection du mode cuisson à PROOF (levage). L'afficheur indique PrF (levage). Le levage de la pâte ne fonctionne pas lorsque la température du four dépasse 125 °F (52 °C). L'afficheur indique alors « too hot » (trop chaud). Laissez le four refroidir.

REMARQUE : Pour de meilleurs résultats, recouvrez la pâte d'un linge ou d'une pellicule plastique enduite d'une matière grasseuse (il peut être nécessaire de fixer la pellicule plastique sous le contenant afin que le ventilateur du four ne la souffle pas).

La fonction de fermentation procure automatiquement la température optimale demandée par le processus de fermentation; c'est pourquoi le bouton de sélection de la température n'affecte pas la température de levage de la pâte.

Les ampoules intérieures du four s'allument et s'éteignent en fonction du cycle jusqu'à ce que le bouton de sélection du mode cuisson du four ait été tourné à OFF (arrêt).

- 2 Vous pouvez régler la fonction TIMER (minuterie) pour le temps de levage minimal, afin de vous rappeler de vérifier la pâte.
 - 3 Une fois le levage terminé, tournez le bouton de sélection du mode de cuisson à OFF (arrêt).
- Pour éviter d'abaisser la température du four et ainsi augmenter la durée de la fermentation, n'ouvrez pas la porte du four inutilement.
 - Vérifiez le pain sans trop tarder pour éviter une fermentation excessive.

REMARQUE : N'utilisez pas le mode de fermentation pour réchauffer les aliments ou les garder au chaud. La température de fermentation du four n'est pas suffisamment élevée pour garder les aliments à des températures sécuritaires.

Le réglage de température WARM (chaud) de ce four permet de garder chaud les aliments cuits. Les aliments gardés plus de deux heures dans le four à ces basses températures pourraient ne plus être propres à la consommation.

Avant l'autonettoyage

Pour que le programme d'autonettoyage fonctionne adéquatement, il faut que la porte du four soit fermée et que toutes les commandes soient réglées correctement.

Nous vous recommandons d'assurer une ventilation adéquate en ouvrant une fenêtre ou en utilisant un ventilateur ou une hotte de cuisine au cours du premier autonettoyage.

- Enlevez la saleté du cadre autour de la porte de four et à l'extérieur du joint de porte. Ces parties doivent être nettoyées à la main.
- **Ne nettoyez pas le joint de porte à la main car cela pourrait l'endommager.**
- Ramassez tout excès de graisse et autre déversement de nourriture à l'aide d'un chiffon humide. Cela permet de réduire au minimum la quantité de fumée produite lors du cycle d'autonettoyage.
- Retirez toutes les casseroles, la lèchefrite et sa grille, la sonde et tout papier aluminium du four.
- Vous pouvez laisser les grilles dans le four au cours du cycle d'autonettoyage.
- Assurez-vous que la lentille de l'ampoule de four et le cadre de la lentille sont bien en place.
- **N'utilisez pas de produits nettoyants, d'abrasifs ou de protecteurs de four commerciaux à l'intérieur ou à proximité du four autonettoyant.**

IMPORTANT : certains oiseaux sont extrêmement sensibles à la fumée produite pendant le programme d'autonettoyage de n'importe quel four. Placez les oiseaux dans une autre pièce bien aérée.

REMARQUE : le cycle d'autonettoyage ne fonctionne pas si la sonde de température est branchée ou si la fonction Sabbath est programmée.

⚠ MISE EN GARDE : Ne mettez jamais d'ustensile de cuisine ou tout autre article en bas du four. Il y a un élément de chauffage sous le plancher du four. En plaçant des articles en bas du four, vous risquez d'entraîner une surchauffe du four, qui peut causer des dommages au four et risque d'endommager ou de brûler les armoires de votre cuisine.

Sur les modèles de four mural double, il vous est possible de régler un cycle de nettoyage pour les deux fours en même temps. Le dernier four à être réglé retardera automatiquement le début de son cycle jusqu'à la fin du cycle de nettoyage du premier four.

Sur les modèles de four mural double, il vous est possible d'utiliser la cuisson à minuterie pour un four et l'autonettoyage pour l'autre en même temps.

Comment régler le four pour le nettoyage

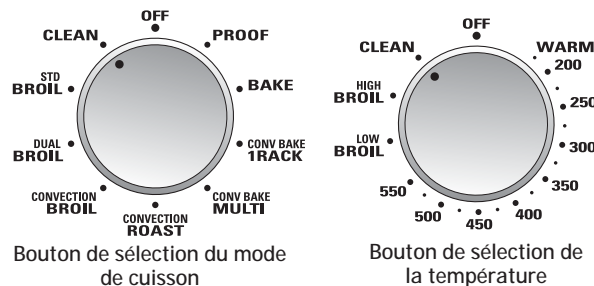
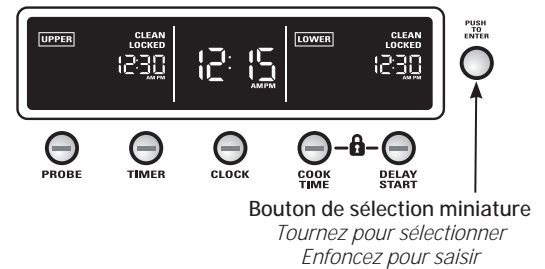


Illustration de l'afficheur du four double.



Bouton de sélection miniature
Tournez pour sélectionner
Enfoncez pour saisir

- 1 Tournez le bouton de sélection du mode de cuisson à CLEAN (nettoyage).
- 2 Tournez le bouton de sélection de la température à CLEAN (nettoyage).

Le four est pré-réglé pour effectuer l'autonettoyage normal sur 5 heures. (Si un temps d'autonettoyage de moins de 5 heures est requis, tournez le bouton de sélection miniature au temps d'autonettoyage désiré.) Enfoncez pour saisir le temps.

Vous pouvez changer le temps d'autonettoyage pour une durée allant de 3 à 5 heures, par incrément de 15 minutes, en fonction de la quantité de saleté dans le four.

REMARQUE : le bouton de sélection miniature doit être enfoncé pour que le cycle d'autonettoyage commence.

Si votre four est branché à une source d'alimentation électrique de 208 V, nous recommandons que le temps d'autonettoyage soit réglé à 5 heures.

Si le mot LOCKED (verrouillé) apparaît en succession rapide sur l'afficheur, le cycle d'autonettoyage a été sélectionné mais la porte n'est pas fermée. Fermez la porte du four.

L'afficheur indique CLEAN (nettoyage) et le temps

d'autonettoyage restant.

Une fois que le four commence à chauffer pour atteindre la température d'autonettoyage, la porte se verrouille automatiquement. Le voyant lumineux LOCKED (verrouillé) s'allume. L'afficheur indique le temps d'autonettoyage restant. Il n'est pas possible d'ouvrir la porte du four avant que la température ne tombe sous la température de verrouillage et avant que le voyant lumineux LOCKED (verrouillé) ne s'éteigne.

- 3 Une fois le cycle d'autonettoyage terminé et le four refroidi, l'afficheur indique END (fin) et le voyant lumineux LOCKED (verrouillé) s'éteint. Tournez à OFF (arrêt) le bouton de sélection du mode de cuisson et le bouton de sélection de la température.

Pour arrêter un cycle d'autonettoyage, tournez à OFF (arrêt) le bouton de sélection du mode de cuisson et le bouton de sélection de la température. Quand le voyant lumineux LOCKED (verrouillé) s'éteint pour indiquer que la température du four est descendue sous la température de verrouillage, vous pouvez ouvrir la porte.

Four autonettoyant

Four mural

Pour différer le début de l'autonettoyage

Illustration de l'afficheur du four double.

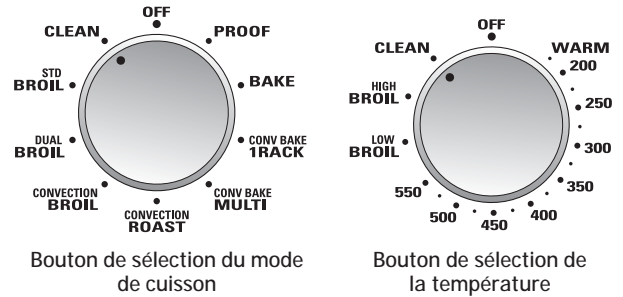


PROBE
TIMER
CLOCK
COOK TIME
DELAY START



Enfoncez pour sélectionner

Bouton de sélection miniature
Tournez pour sélectionner
Enfoncez pour saisir



Bouton de sélection du mode de cuisson

Bouton de sélection de la température

Vous pouvez régler le démarrage différé de l'autonettoyage du four, la durée d'autonettoyage et l'arrêt automatique.

REMARQUE : avant de commencer, assurez-vous que l'horloge affiche la bonne heure.

- 1 Tournez le bouton de sélection du mode de cuisson à CLEAN (nettoyage).
- 2 Tournez le bouton de sélection de la température à CLEAN (nettoyage).
Le four est préréglé pour effectuer l'autonettoyage normal sur 5 heures. (Si un temps d'autonettoyage de moins de 5 heures est requis, tournez le bouton de sélection miniature au temps d'autonettoyage désiré.)
Enfoncez pour saisir le temps.

Vous pouvez changer le temps d'autonettoyage pour une durée allant de 3 à 5 heures, par incrément de 15 minutes, en fonction de la quantité de saleté dans le four.

REMARQUE : le bouton de sélection miniature doit être enfoncé pour que le cycle d'autonettoyage commence.

- 3 Enfoncez le bouton **DELAY START** (démarrage différé). L'heure courante apparaît en succession rapide sur l'afficheur.

*Pour les modèles de four double, enfoncez le bouton **DELAY START** (démarrage différé) une fois pour régler le four supérieur et deux fois pour régler le four inférieur.*

- 4 Tournez le bouton de sélection miniature pour faire une sélection et enfoncez pour saisir l'heure à laquelle vous désirez que l'autonettoyage du four soit mis en marche.

REMARQUE : le bouton de sélection miniature doit être enfoncé pour que le cycle d'autonettoyage soit réglé afin de commencer à l'heure de la journée saisie.

Le four est maintenant prêt à démarrer à l'heure de la journée à laquelle vous l'avez réglé et à s'autonettoyer pour la période de temps choisie.

Si votre four est branché à une source d'alimentation électrique de 208 V, nous recommandons que le temps d'autonettoyage soit réglé à 5 heures.

Si le mot LOCKED (verrouillé) apparaît en succession rapide sur l'afficheur, le cycle d'autonettoyage a été sélectionné mais la porte n'est pas fermée. Fermez la porte du four.

Pour rappeler l'heure de démarrage, enfoncez le bouton DELAY START. Pour le changer, tournez et enfoncez le bouton de sélection miniature.

L'afficheur indique START TIME (heure de démarrage). Une fois que l'heure de démarrage est atteinte, le four se met en marche automatiquement.

L'afficheur indique CLEAN (nettoyage) et le temps d'autonettoyage.

Une fois que le four commence à chauffer pour atteindre la température d'autonettoyage, la porte se verrouille automatiquement. Le voyant lumineux LOCKED (verrouillé) s'allume.

L'afficheur indique le temps d'autonettoyage restant. Il n'est pas possible d'ouvrir la porte du four avant que la température ne tombe sous la température de verrouillage et avant que le voyant lumineux LOCKED (verrouillé) ne s'éteigne.

- 5 Une fois le cycle d'autonettoyage terminé et le four refroidi, l'afficheur indique END (fin) et le voyant lumineux LOCKED (verrouillé) s'éteint. Tournez à OFF (arrêt) le bouton de sélection du mode de cuisson et le bouton de sélection de la température.

Pour arrêter un cycle d'autonettoyage, tournez à OFF (arrêt) le bouton de sélection du mode de cuisson et le bouton de sélection de la température. Quand le voyant lumineux LOCKED (verrouillé) s'éteint pour indiquer que la température du four est descendue sous la température de verrouillage, vous pouvez ouvrir la porte.

REMARQUE : sur les modèles de four mural double, il vous est possible de régler le démarrage différé du nettoyage pour les deux fours en même temps. Tournez à CLEAN (nettoyage) le bouton de sélection du mode de cuisson et le bouton de sélection de la température sur le deuxième four. Le deuxième four à être réglé retardera automatiquement le début de son cycle jusqu'à la fin du cycle de nettoyage du premier four.

Après l'autonettoyage

Vous remarquerez un peu de cendre blanche dans le four. Essuyez-la avec un linge humide lorsque le four a refroidi.

Si des taches blanches persistent, enlevez-les à l'eau tiède savonneuse, puis rincez comme il faut avec un mélange d'eau et de vinaigre. Il s'agit généralement de résidus de sel qui ne disparaissent pas lors de l'autonettoyage.

Si le four n'est pas propre après un premier nettoyage, programmez à nouveau un autonettoyage.

Vous ne pouvez programmer aucune fonction de cuisson tant que le four n'a pas suffisamment refroidi pour que vous puissiez déverrouiller la porte.

Panne de courant

Si l'heure de la journée apparaît en succession rapide sur l'afficheur, c'est qu'il y a eu panne de courant. Remettez l'horloge à l'heure.

Horloge

Pour que les dispositifs de chronométrage automatiques du four fonctionnent correctement, vous devez régler l'horloge à la bonne heure.

L'heure de l'horloge **ne peut être** changée pendant que la fonction Delay Start (démarrage

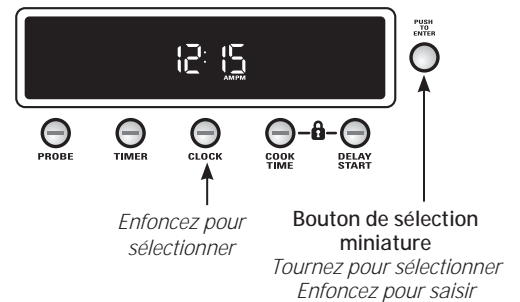
différé) est programmée. (Elle peut être changée que pendant la cuisson conventionnelle ou la cuisson au grilloir.)

Pour régler l'horloge

- 1 Enfoncez le bouton **CLOCK** (horloge).
- 2 Tournez le bouton de sélection miniature pour sélectionner l'heure et enfoncez pour saisir.

REMARQUE : pendant le réglage, le temps basculera de AM à PM.

Illustration de l'afficheur du four double.



Verrouillage des commandes

Cette commande vous permet de bloquer toutes les autres commandes de manière à ce que le bouton de sélection du mode de cuisson, le bouton de sélection de la température et les boutons du tableau de commande ne puissent être activés une fois qu'il a été réglé.

REMARQUE : sur les modèles de four mural double, cette commande active cette fonction pour les deux fours.

Pour verrouiller/déverrouiller les commandes :

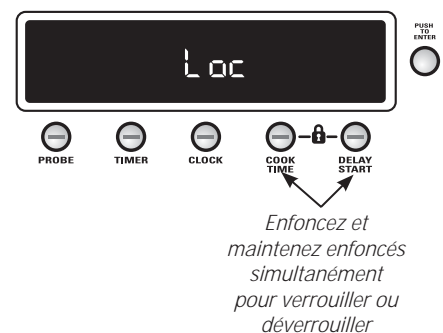
- 1 Enfoncez et maintenez enfoncés les boutons **COOK TIME** (temps de cuisson) et **DELAY START** (démarrage différé) simultanément pendant 3 secondes jusqu'à ce que la commande émette un signal sonore (bip) et que l'afficheur indique « Loc ». Une fois les commandes verrouillées, l'heure de la journée apparaît sur l'afficheur.
- 2 Pour déverrouiller, enfoncez et maintenez enfoncés les boutons **COOK TIME** (temps de cuisson) et **DELAY START** (démarrage différé) simultanément. (L'afficheur indique « Loc »). Maintenez les boutons enfoncés pendant 3 secondes jusqu'à ce que la commande émette un signal sonore (bip) et que le mot « Loc » disparaisse de l'afficheur.

Une fois cette fonction activée, l'afficheur indique « Loc » lorsqu'on tente d'effectuer un réglage des commandes.

REMARQUES :

- Si une fonction de cuisson, d'autonettoyage ou de minuterie est programmée, elle sera annulée.
- L'ajustement reste en mémoire après huit pannes de courant.

Illustration de l'afficheur du four double.



Minuterie

REMARQUE : la minuterie est indépendante de toutes les autres fonctions et ne permet pas de contrôler le four.

Vous pouvez programmer la minuterie pour la cuisson à minuterie ou toute autre activité domestique pour une période allant jusqu'à 11 heures et 59 minutes.

Pour régler la minuterie :

- 1 Enfoncez le bouton **TIMER** (minuterie).
- 2 Tournez le bouton de sélection miniature pour sélectionner la période de temps sur la minuterie jusqu'à 11 heures et 59 minutes et enfoncez pour saisir.

*Pour les modèles de four double, une deuxième minuterie peut être réglée en enfonceant le bouton **TIMER** (minuterie) deux fois.*

L'afficheur de la minuterie indique le décompte des heures et des minutes, une minute à la fois, de 24 heures à 1 heure. Il changera alors pour indiquer le décompte des minutes et des secondes jusqu'à ce que la dernière minute soit atteinte. La commande émet un signal sonore (bip) et l'afficheur indique les secondes jusqu'à ce que la minuterie atteigne :00.

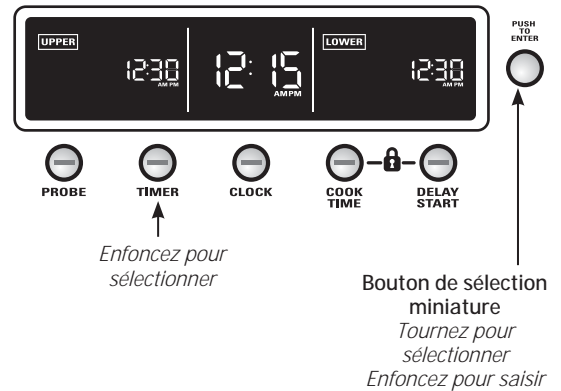
Lorsque la minuterie atteint :00, la commande fait entendre 3 signaux sonores (bips) suivis d'un signal sonore (bip) toutes les 6 secondes jusqu'à ce que le bouton **TIMER** (minuterie) soit enfoncé.

La tonalité de 6 secondes peut être arrêtée en suivant les étapes indiquées à *Tonalités à la fin d'un cycle à minuterie* de la section *Fonctions spéciales*.

Pour annuler la minuterie :

- 1 Enfoncez le bouton **TIMER** (minuterie).
- 2 Tournez le bouton de sélection miniature à :00 et enfoncez pour saisir.

Illustration de l'afficheur du four double.



Caractéristiques spéciales des commandes du four

Votre four comporte d'autres fonctions spéciales que vous pouvez utiliser.

Elles sont conservées dans la mémoire de la commande jusqu'à ce que vous suiviez à nouveau les étapes indiquées. Ces caractéristiques spéciales sont conservées en mémoire, même après une panne de courant.

Soit le bouton de sélection du mode de cuisson, soit le bouton de sélection de la température doit être tourné à OFF (arrêt).

Pour les modèles de four double, soit le bouton de sélection du mode de cuisson, soit le bouton de sélection de la température doit être tourné à OFF (arrêt) sur chacun des fours.

REMARQUE : alors que vous êtes en mode Fonctions spéciales, si le bouton de sélection miniature n'est pas enfoncé pour saisir un choix dans les 60 secondes, le mode sera annulé (sans changement) et l'heure de la journée réapparaîtra sur l'afficheur.

Voici les fonctions et comment les activer.

Réglage du thermostat du four

Il est possible que vous trouviez que dans votre nouveau four la cuisson est différente que dans votre ancien four. Utilisez votre nouveau four pendant quelques semaines afin de vous familiariser avec son fonctionnement. Si vous trouvez que la température dans votre nouveau four est trop élevée ou trop basse, vous pouvez régler la commande de température vous-même.

Pour ajuster le thermostat du four :

1 Enfoncez et maintenez enfoncés simultanément les boutons **PROBE** (sonde) et **DELAY START** (démarrage différé) pendant 4 secondes jusqu'à ce que l'afficheur indique SF (fonctions spéciales).

2 Enfoncez le bouton **PROBE** (sonde). Un « 0 » apparaît sur l'afficheur.

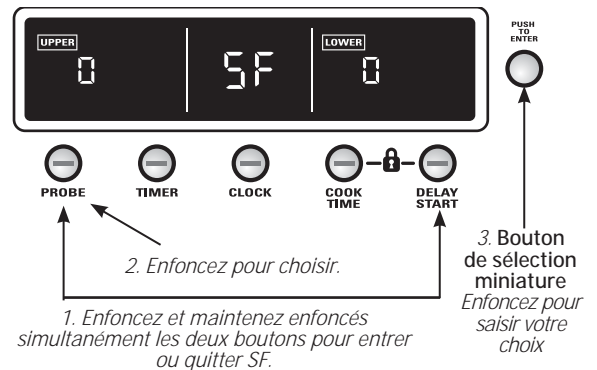
Sur les modèles de four mural double, un « 0 » apparaît sur les afficheurs des deux fours. Enfoncez le bouton **PROBE** (sonde) une 2^e fois (l'afficheur indiquera « UPPER ») pour permettre le réglage du four supérieur, et enfoncez le bouton **PROBE** (sonde) une 3^e fois (l'afficheur indiquera « LOWER ») pour permettre le réglage du four inférieur.

3 Tournez le bouton de sélection miniature pour ajuster le thermostat du four jusqu'à 35 °F de plus ou de moins par incrément de 1 °F.

4 Enfoncez le bouton de sélection miniature pour saisir votre choix.

5 Enfoncez et maintenez enfoncé le bouton de sélection miniature pendant 5 secondes pour quitter

Illustration de l'afficheur du four double.



SF (Fonctions spéciales) et revenir à l'affichage de l'horloge.

Nous vous recommandons de ne pas utiliser un thermomètre bon marché, comme ceux vendus dans les épiceries, pour vérifier le réglage de température de votre nouveau four. Ces thermomètres peuvent présenter des écarts de 20 à 40 degrés.

REMARQUE : ce réglage affectera seulement les températures de cuisson et de rôtissage. Ce réglage n'affectera nullement les températures de grillage ou d'autonettoyage. De plus, il sera conservé en mémoire si jamais une panne de courant survient.

Tonalités à la fin du cycle de minuterie

À la fin d'une fonction minutée, trois signaux sonores courts se font entendre, suivis d'un signal sonore toutes les 6 secondes, jusqu'à ce que vous appuyiez sur **TIMER** (minuterie). Cette tonalité toutes les 6 secondes peut être annulée. Pour annuler la tonalité toutes les 6 secondes :

1 Enfoncez et maintenez enfoncés simultanément les boutons **PROBE** (sonde) et **DELAY START** (démarrage différé) pendant 4 secondes jusqu'à ce que l'afficheur indique SF (fonctions spéciales).

2 Enfoncez le bouton **TIMER** (minuterie) pour choisir entre :

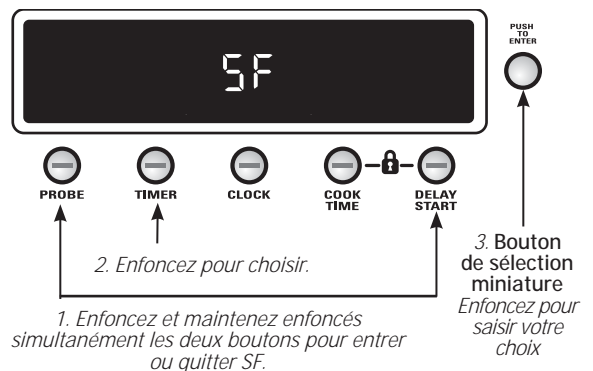
con SF bBEEP (signaux sonores (bips) continus) : Les rappels sonores (bip) sont émis après la fin d'un cycle de minuterie jusqu'à ce que le bouton **TIMER** (minuterie) soit enfoncé.

SF bBEEP (aucun signal sonore) : Aucun rappel sonore (bip) après la fin d'un cycle de minuterie.

3 Enfoncez le bouton de sélection miniature pour saisir votre choix.

4 Enfoncez et maintenez enfoncé le bouton de sélection miniature pendant 5 secondes pour quitter

Illustration de l'afficheur du four double.



SF (Fonctions spéciales) et revenir à l'affichage de l'horloge.

REMARQUE : sur les modèles de four mural double, cette commande annule la tonalité de fin de cycle pour les deux fours.

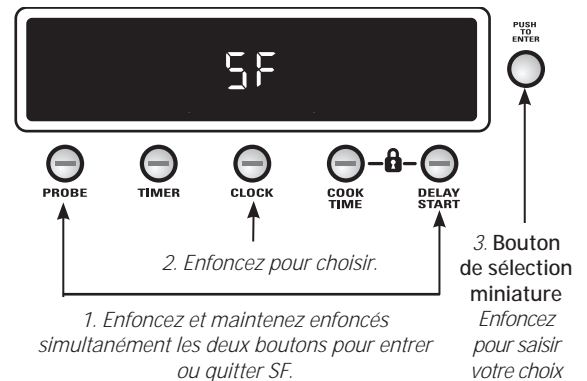
12 heures, 24 heures ou extinction de l'heure

Votre commande est réglée pour fonctionner avec le système horaire de 12 heures. Si vous désirez utiliser le système horaire de 24 heures ou préférez ne pas afficher l'heure, suivez les étapes ci-dessous.

- 1 Enfoncez et maintenez enfoncés simultanément les boutons **PROBE** (sonde) et **DELAY START** (démarrage différé) pendant 4 secondes jusqu'à ce que l'afficheur indique SF (fonctions spéciales).
- 2 Enfoncez le bouton **CLOCK** (horloge) pour choisir entre :
 - 12 hr** : affichage sur 12 heures avec AM et PM.
 - 24 hr** : affichage sur 24 heures.
 - OFF** : aucun affichage.
- 3 Enfoncez le bouton de sélection miniature pour saisir votre choix.
- 4 Enfoncez et maintenez enfoncé le bouton de sélection miniature pendant 5 secondes pour quitter SF (Fonctions spéciales).

REMARQUE : lorsque l'horloge est réglée au mode «extinction», vous ne pouvez utiliser la fonction de mise en marche différée.

Illustration de l'afficheur du four double.



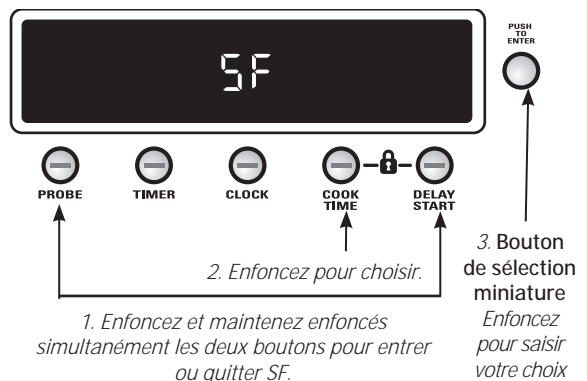
Volume du son

Cette caractéristique vous permet de régler le volume du son à un volume plus acceptable. Il y a trois niveaux de volume possibles.

- 1 Enfoncez et maintenez enfoncés simultanément les boutons **PROBE** (sonde) et **DELAY START** (démarrage différé) pendant 4 secondes jusqu'à ce que l'afficheur indique SF (fonctions spéciales).
- 2 Enfoncez le bouton **COOK TIME** (temps de cuisson) pour choisir entre :
 - 1 SF bEEP** : Signal sonore (bip) de faible intensité.
 - 2 SF bEEP** : Signal sonore (bip) d'intensité moyenne.
 - 3 SF bEEP** : Signal sonore (bip) de grande intensité.
- 3 Enfoncez le bouton de sélection miniature pour saisir votre choix.
- 4 Enfoncez et maintenez enfoncé le bouton de sélection miniature pendant 5 secondes pour quitter SF (Fonctions spéciales) et revenir à l'affichage de l'horloge.

REMARQUE : sur les modèles de four mural double, cette commande active la fonction spéciale pour les deux fours.

Illustration de l'afficheur du four double.



Fonction Sabbath, arrêt après 12 heures, ou pas d'arrêt après 12 heures

Avec cette fonction, la commande éteindra le four automatiquement après 12 heures de fonctions de cuisson, s'il vous arrive de le laisser allumé par oubli. Si vous désirez désactiver cette fonction, suivez les étapes ci-dessous.

1 Enfoncez et maintenez enfoncés simultanément les boutons **PROBE** (sonde) et **DELAY START** (démarrage différé) pendant 4 secondes jusqu'à ce que l'afficheur indique SF (fonctions spéciales).

2 Enfoncez le bouton **DELAY START** (démarrage différé) pour choisir entre :

12 SF Shdn : Le four s'éteint automatiquement après 12 heures.

no SF Shdn : Le four ne s'éteint pas automatiquement après 12 heures.

SabbAth : Fonction conçue pour servir au sabbat juif et aux fêtes.

La fonction du sabbat peut servir seulement en mode cuire/rôtir. Elle ne peut servir pour la cuisson par convection, par grillage, pour l'autonettoyage ou le démarrage différé.

Lorsque la fonction Sabbath est réglée, la lampe du four et tous les signaux sonores (bip) sonores sont annulés et \supset apparaît sur l'écran. La fonction prévoit aussi une période de différé aléatoire allant de 30 secondes à 1 minute, avant que le four ne démarre une fois qu'il est réglé à BAKE (cuisson). \supset apparaît sur l'écran, indiquant que le four est en train de cuire ou de rôtir.

La fonction Timed cooking (cuisson minutée) peut être utilisé avec la fonction Sabbath. Pour utiliser la fonction Timed cooking (cuisson minutée), réglez COOK TIME (temps de cuisson) et la température avant d'entrer la fonction SF (Fonctions spéciales) et sélectionner SabbAth.

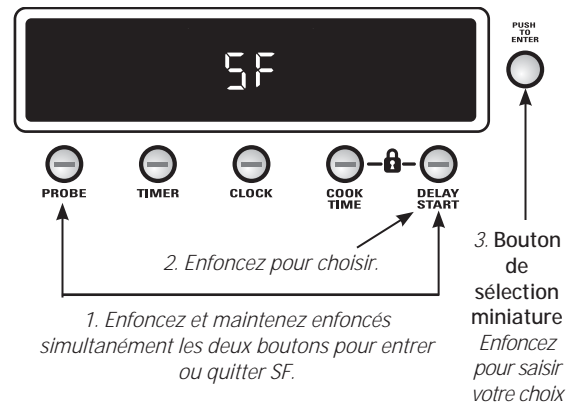
La fonction DELAY START (démarrage différé) ne peut pas être utilisé avec la fonction Sabbath.

3 Enfoncez le bouton de sélection miniature pour saisir votre choix.

4 Enfoncez et maintenez enfoncé le bouton de sélection miniature pendant 5 secondes pour quitter SF (Fonctions spéciales) et revenir à l'affichage de l'horloge.

REMARQUE : sur les modèles de four mural double, cette commande active cette fonction pour les deux fours.

Illustration de l'afficheur du four double.



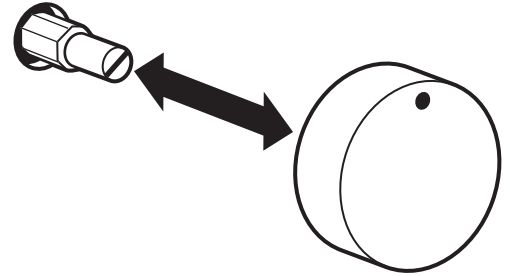
AVANT DE NETTOYER UNE PIÈCE QUELCONQUE DU FOUR, ASSUREZ-VOUS QUE L'ALIMENTATION ÉLECTRIQUE A ÉTÉ COUPÉE ET QUE TOUTES LES SURFACES DE L'APPAREIL ONT REFROIDI.

Tableau de commande et boutons de sélection

Essuyez les éclaboussures avec un chiffon humide. Retirez les saletés les plus grosses avec de l'eau tiède savonneuse.

N'utilisez aucun abrasif sur le tableau de commande et les boutons de sélection.

Les boutons de sélection se retirent pour faciliter l'autonettoyage. Pour retirer un bouton de sélection, retirez-le directement de sur la tige. Lavez les boutons de sélection au savon et à l'eau, mais ne les laissez pas tremper.



REMARQUE : le bouton de sélection miniature n'est pas amovible.

Éléments chauffants du four

Ne nettoyez pas l'élément du gril. Toute saleté brûlera lorsque l'élément sera chauffé.

L'élément de cuisson n'est pas exposé et se trouve sous le fond du four. S'il y a des déversements ou de la cendre accumulée sur le fond du four, essuyez le tout avant l'autonettoyage.

Lèchefrite et grille

Après avoir grillé, retirez la lèchefrite et sa grille du four. Retirez la grille de la lèchefrite. Versez délicatement la graisse de la lèchefrite dans un contenant approprié. Lavez et rincez la lèchefrite et sa grille dans l'eau chaude avec un tampon à récurer de plastique ou imbibé de savon.

Si des aliments brûlés se trouvent sur la grille, saupoudrez-la de détergent tandis qu'elle est chaude et couvrez-la d'essuie-tout ou d'un linge à vaisselle. Faire tremper la lèchefrite éliminera les aliments cuits.

La lèchefrite et sa grille se lavent avec un détergent commercial pour four.

La lèchefrite et sa grille se lavent aussi au lave-vaisselle.

Ne rangez pas la lèchefrite et sa grille dans le four alors qu'elles sont sales.

⚠ MISE EN GARDE :

ne nettoyez pas la lèchefrite et sa grille dans un four autonettoyant.

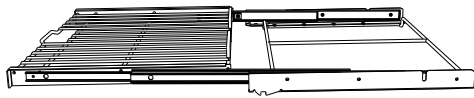


Grilles du four

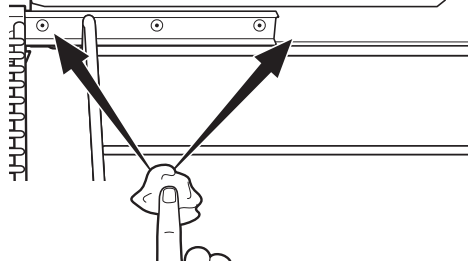
Les grilles peuvent être laissées dans le four pendant le cycle d'autonettoyage sans être endommagées.

Périodiquement, après plusieurs cycles d'autonettoyage, il peut être nécessaire de lubrifier les grilles du four à l'aide du lubrifiant au graphite accompagnant votre four mural. Pour commander du lubrifiant au graphite additionnel, appelez le Centre national des pièces au **1.800.626.2002** et mentionnez le numéro de référence **WB02T10303**.

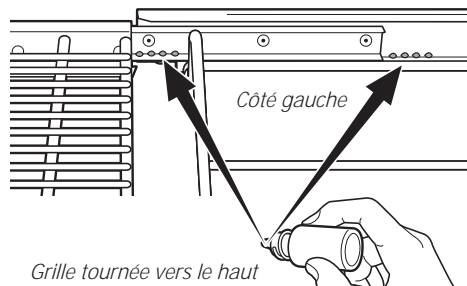
- 1 Retirez la grille du four. Reportez-vous à la section *Grilles de four à extension complète*.
- 2 Ouvrez la grille entièrement et posez-la sur une table ou un comptoir. Du papier journal peut être placé sous la grille pour faciliter le nettoyage.



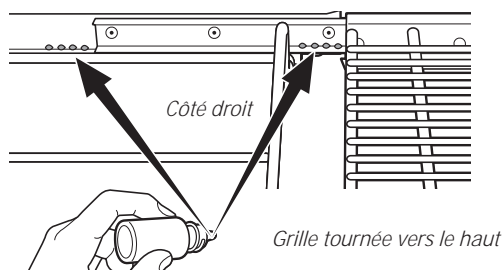
- 3 S'il y a des débris dans les glissières, essuyez-les à l'aide d'un essuie-tout. **REMARQUE** : tout lubrifiant au graphite que vous enlevez doit être remplacé.



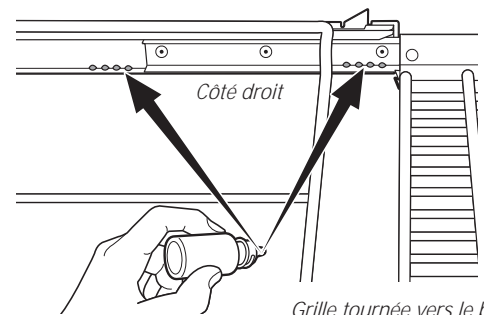
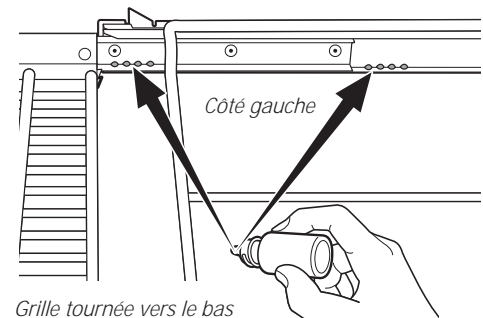
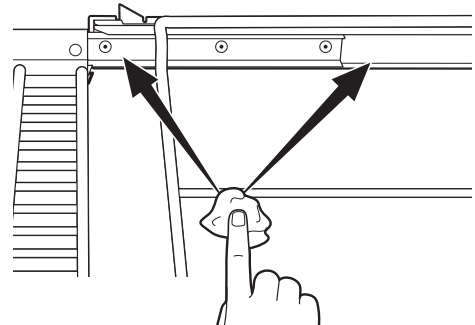
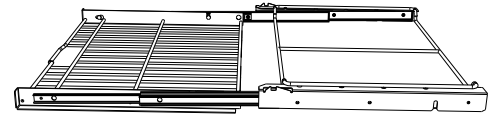
- 4 Secouez le contenant de lubrifiant au graphite avant de l'ouvrir. En commençant par le côté gauche du mécanisme de glissement de la grille, placez quatre (4) petites gouttes de lubrifiant sur les deux (2) glissières du bas près des boîtiers de roulement.



roulement.



- 5 Répétez pour le mécanisme de glissement droit de la grille.
- 6 Ouvrez et refermez la grille plusieurs fois afin de répartir le lubrifiant.
- 7 Remplacez le capuchon sur le contenant de lubrifiant et secouez-le encore une fois. Retournez la grille et répétez les étapes 3, 4, 5 et 6.



- 8 Fermez la grille, retournez la grille vers le haut et remplacez-la dans le four. Reportez-vous à la section *Grilles de four à extension complète*.
- 9 Répétez les étapes ci-dessus pour chaque grille.

REMARQUE : ne vaporisez pas de Pam® ou tout autre lubrifiant à vaporiser.

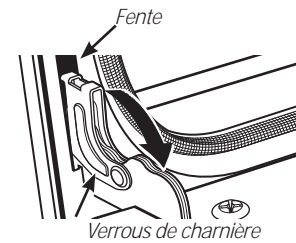
Enlèvement de la porte du four en la soulevant— enlèvement

La porte est très lourde. Faites attention quand vous l'enlevez ou vous la soulevez.

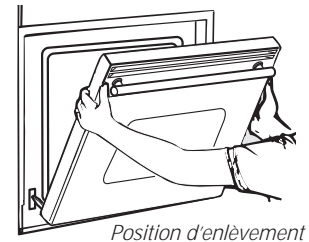
Ne soulevez jamais la porte par sa poignée.

Enlèvement de la porte :

- 1 Ouvrez complètement la porte.
- 2 Tirez les verrous de charnières vers l'armature de la porte, en position déverrouillée. Un outil, comme un tournevis à lame plate, peut être nécessaire.
- 3 Tenez fermement les deux côtés **du haut** de la porte.
- 4 Refermez la porte à la position d'enlèvement de la porte, ce qui veut dire presque complètement et soulevez-la vers le haut puis vers l'extérieur jusqu'à ce que le bras d'articulation soit entièrement sorti de la rainure.

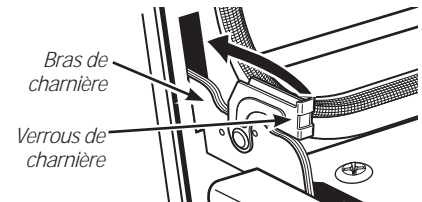
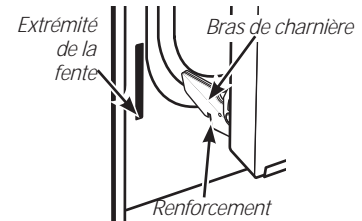


Tirez en bas les verrous des charnières pour déverrouiller.



Remise en place de la porte :

- 1 Tenez fermement les deux côtés **du haut** de la porte.
- 2 Avec la porte au même angle que pour l'enlever, mettez le renforcement du bras de charnière dans l'arête du bas de la fente de charnière. Le renforcement du bras de charnière doit être bien installé dans le bas de la fente.
- 3 Ouvrez complètement la porte.
Si la porte n'est pas complètement ouverte, l'indentation ne repose pas bien à l'extrémité inférieure de la fente.
- 4 Poussez les verrous de charnière contre l'armature de devant du trou du four, en position verrouillée.
- 5 Fermez la porte du four.



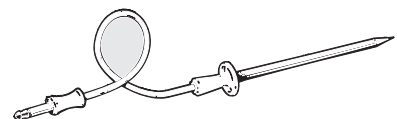
Poussez vers le haut les verrous des charnières pour verrouiller.

Sonde

Lavez la sonde thermique avec de l'eau savonneuse ou un tampon à récurer savonneux. Laissez refroidir la sonde avant de la laver. Faites disparaître les taches tenaces avec un tampon à récurer savonneux, puis rincez et séchez.

Ne plongez pas la sonde thermique dans l'eau.

Ne rangez pas la sonde thermique dans le four.



Ampoules du four

Chaque four est muni de deux unités d'ampoule à halogène situées sur les parois latérales du four. Les ampoules s'allument lorsque la porte est ouverte ou lorsque le four exécute un cycle de cuisson. Les ampoules du four ne s'allument pas pour le cycle d'autonettoyage ou si le four est réglé à la fonction du sabbat.

Chaque unité d'ampoule comprend un couvercle de lampe amovible sur lequel se trouvent deux mécanismes de verrouillage, un compartiment de lampe dans lequel se trouvent trois culots et trois ampoules à halogène.

⚠ MISE EN GARDE :

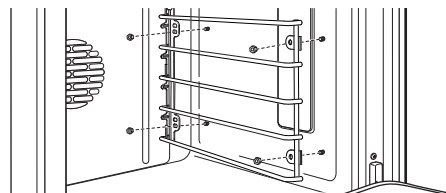
avant de remplacer une ampoule, débranchez l'alimentation électrique au four à même le panneau de fusibles ou de disjoncteurs.

Assurez-vous de laisser le couvercle et l'ampoule refroidir complètement.

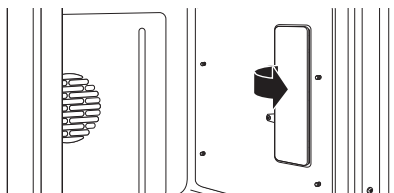
Pour votre sécurité, ne manipulez pas d'ampoule chaude à mains nues ou avec un chiffon humide.

Pour retirer :

- 1 Retirez les grilles du four. Reportez-vous à la section *Grilles de four à extension complète*.
- 2 À l'aide d'une clé à molette, retirez les quatre écrous qui maintiennent le support à grille par-dessus l'unité de la lampe.

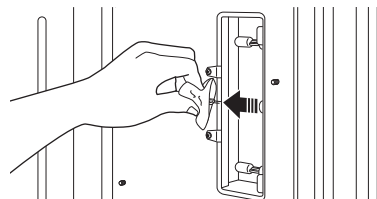


- 3 Retirez le couvercle de lampe en verre en tirant vers l'extérieur son rebord arrière et en le faisant rouler vers vous. Ne retirez aucune vis.



REMARQUE : les pinces de fixation pourraient tomber du couvercle de verre. Après le remplacement, elles devront être placées dans la bonne position sur le couvercle de la lampe et réinsérées dans le compartiment de la lampe en les enfonçant bien en place.

- 4 Portez des gants ou utilisez un chiffon propre et retirez l'ampoule grillée en tirant pour la faire sortir.



Pour remplacer :

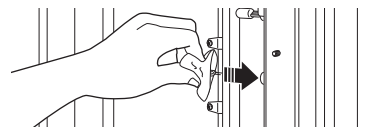
Utilisez une nouvelle ampoule à halogène de 120 volts, à broches G8, sans dépasser 25 watts.

Les ampoules de remplacement peuvent être achetées en appelant le 800.626.2002. Numéro de pièce : **WB25T10064**.

REMARQUE : les ampoules d'intensité supérieure endommageront votre four.

Portez des gants ou utilisez un chiffon propre et retirez l'ampoule de son emballage. **Ne touchez pas l'ampoule à doigts nus.** L'huile de vos doigts peut causer des points chauds sur la surface de verre et causer le grillage prématuré de l'ampoule. Si vous touchez le verre, nettoyez-le avec de l'alcool avant l'installation.

- 1 Enfoncez l'ampoule dans le culot jusqu'au fond.



- 2 Remplacez le couvercle de la lampe, en plaçant son bord avant sous les deux languettes dans le compartiment de la lampe. Roulez le rebord arrière en place, en prenant soin de vous assurer qu'il appuie bien en place.

REMARQUE :

si les pinces de fixation sont tombées du couvercle de la lentille, maintenez-les sur le couvercle, dans la bonne position, pendant que vous remplacez le couvercle sur le compartiment de la lampe.



Tenez les pinces de fixation en place sur le rebord arrière du couvercle de la lentille

Placez le rebord avant du couvercle de la lentille sous les deux languettes avant

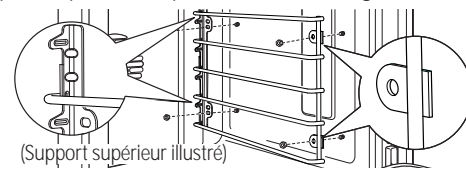
Appuyez sur le couvercle de la lentille pour le fixer en place

Le couvercle de la lampe doit être en place lorsque le four est mis en marche.

Pour un meilleur éclairage à l'intérieur du four, nettoyez fréquemment le couvercle vitré à l'aide d'un chiffon humide. Cela devrait être fait lorsque le four est éteint, débranché de l'alimentation et complètement refroidi.

- 3 Remplacez le support à grille de manière à ce que les trous ovales se retrouvent par-dessus les boulons arrière et les trous ronds par-dessus les boulons avant. Fixez légèrement à l'aide des quatre écrous que vous avez retirés précédemment, mais ne serrez pas trop car cela pourrait endommager l'émail.

Trous ovales par dessus les boulons arrière



Trous ronds par dessus les boulons avant

- 4 Remplacez les grilles. Reportez-vous à la section *Grilles de four à extension complète*.
- 5 Rebranchez le courant électrique au four.

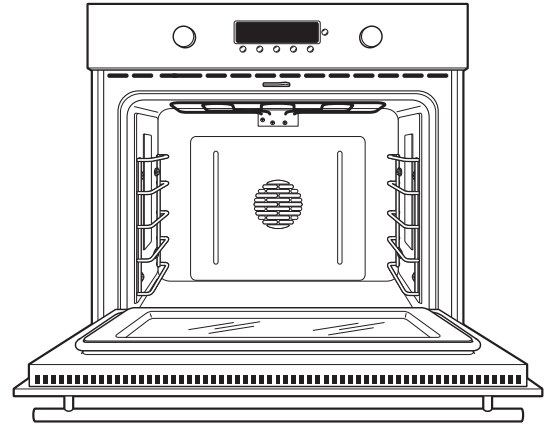
Pour nettoyer la porte

L'intérieur de la porte :

- Puisque la section à l'intérieur du joint se nettoie durant le cycle d'autonettoyage, aucun besoin de le nettoyer à la main. Tout savon laissé sur la doublure pourra causer des taches additionnelles lorsque le four est chauffé, alors assurez-vous de bien la rincer.
- La section à l'extérieur du joint se nettoie avec un tampon à récurer rempli de savon.
- **Vous ne devez ni frotter ni nettoyer le joint de porte;** le matériau de fibre de verre du joint a une très faible résistance à l'abrasion. Un joint de porte intact et bien ajusté est essentiel pour obtenir un bon rendement énergétique et de bons résultats de cuisson. Si vous remarquez qu'il devient usé, s'effiloche, est endommagé de quelque façon ou a été déplacé sur la porte, vous devriez le remplacer.

L'extérieur de la porte :

- En fonction de votre modèle, reportez-vous à la section *Surfaces en acier inoxydable* ou *Surfaces peintes*.



Surfaces en acier inoxydable (sur certains modèles)

N'utilisez pas de tampons de laine d'acier; ils pourraient rayer la surface.

Pour nettoyer la surface en acier inoxydable, utilisez de l'eau chaude savonneuse ou un produit nettoyant ou cire à acier inoxydable. Essayez toujours la surface dans le sens du grain. Suivez les instructions du produit nettoyant pour nettoyer la surface en acier inoxydable.

Pour savoir comment acheter le produit nettoyant ou la cire pour appareils électroménagers en acier inoxydable, ou pour connaître les coordonnées du détaillant le plus près de chez vous, veuillez appeler notre numéro sans frais : 1.800.626.2002 ou visitez notre site Web monogram.com.

Surfaces peintes (sur certains modèles)

Les surfaces peintes incluent la porte, le dessus du tableau de commande et l'avant du tiroir. Nettoyez-les avec du savon et de l'eau ou une solution de vinaigre et d'eau.

N'utilisez pas de nettoyant commercial pour le four, de poudres de nettoyage, de laine d'acier ou d'abrasifs forts sur quelque surface peinte que ce soit.

Économisez du temps et de l'argent!

Consultez d'abord
les conseils de
dépannage des
pages qui suivent.
Vous pourriez vous
éviter d'appeler un
réparateur.

PROBLÈME	CAUSE PROBABLE
LE FOUR NE FONCTIONNE PAS	<ul style="list-style-type: none"> Un fusible peut être grillé ou un disjoncteur peut être déclenché dans le panneau de votre résidence. Les commandes du four ne sont pas réglées correctement. Les commandes du four sont réglées pour l'autonettoyage. Si besoin est, laissez le four refroidir; ouvrez ensuite la porte. Assurez-vous que le bouton de sélection du mode de cuisson est réglé à BAKE (cuisson) et que le bouton de sélection de la température est réglé à une température.
LA LAMPE DU FOUR NE S'ALLUME PAS	<ul style="list-style-type: none"> La lampe est défectueuse. Remplacez l'ampoule. Le four effectue un cycle d'autonettoyage ou il est réglé sur la fonction Sabbath. Les lampes du four ne s'allument pas pendant l'autonettoyage ou si le four est réglé à la fonction Sabbath.
CUISSON OU RÔTISSAGE INADÉQUATS DES ALIMENTS DANS LE FOUR	<ul style="list-style-type: none"> Les commandes du four ne sont pas réglées correctement. Reportez-vous à la section <i>Cuisson ou Rôtissage</i>. Le four n'a pas préchauffé suffisamment longtemps (laisser environ 10 à 15 minutes). Des plats de cuisson ne convenant pas ou des plats de cuisson de mauvaise taille sont utilisés. Reportez-vous à la section <i>Positionnement des plats</i>. Les grilles sont dans la mauvaise position. Reportez-vous à la section <i>Cuisson ou Rôtissage</i>. Recouvrez les aliments de papier d'aluminium pour ralentir le brunissage lors du rôtissage. Le thermostat du four doit être ajusté. Reportez-vous à la section <i>Réglage du thermostat du four</i>.
GRILLAGE INADÉQUATS DES ALIMENTS DANS LE FOUR	<ul style="list-style-type: none"> Ce modèle est conçu pour une porte fermée. Fermez la porte. Grillez toujours avec la porte fermée. Les commandes du four ne sont pas réglées à BROIL. Reportez-vous à la section <i>Cuisson au grilloir</i>. La sonde est branchée dans le four. Enlevez la sonde du four. Grille placée à une hauteur inadéquate. Aliments cuits dans un plat de cuisson chaud. Utilisez la lèchefrite et sa grille comprises avec votre four. Plat de cuisson qui ne convient pas au grillage. Utilisez la lèchefrite et sa grille comprises avec votre four. Le papier d'aluminium utilisé sur la lèchefrite et sa grille n'a pas été ajusté correctement et n'a pas été fendu tel que recommandé. Dans certaines régions, la tension de l'alimentation peut être basse. Faites préchauffer l'élément chauffant environ 10 à 15 minutes.
LE PROGRAMME D'AUTONETTOYAGE NE FONCTIONNE PAS	<ul style="list-style-type: none"> La température du four est trop élevée pour pouvoir régler un autonettoyage. Laissez la température du four descendre sous la température de verrouillage et refaites le réglage des commandes. Commandes mal réglées. Voir la section <i>Four autonettoyant</i>.
SONS DE « CRÉPITEMENT » OU « D'ÉCLATEMENT » AU COURS DE L'AUTONETTOYAGE	<ul style="list-style-type: none"> Ce phénomène est normal. Ces bruits sont produits par le métal sous l'effet de la chaleur et du refroidissement pendant les fonctions de cuisson et d'autonettoyage.
FUMÉES EXCESSIVES AU COURS DE L'AUTONETTOYAGE	<ul style="list-style-type: none"> Quantité excessive de saleté. Tournez le bouton de sélection du mode de cuisson et le bouton de sélection de la température à OFF (arrêt). Ouvrez les fenêtres pour dissiper la fumée. Attendez que le voyant lumineux du verrouillage de la porte s'éteigne. Essuyez l'excès de saleté, et programmez à nouveau l'autonettoyage.
LE FOUR N'EST PAS PROPRE APRÈS L'AUTONETTOYAGE	<ul style="list-style-type: none"> Le four était très sale. Essuyez le surplus de saleté avant de programmer l'autonettoyage. Lorsque le four est très sale, il peut être nécessaire de programmer un autre autonettoyage. Le four est branché à une source d'alimentation électrique de 208 V. Réglez le temps d'autonettoyage à 5 heures. Les commandes du four ne sont pas réglées correctement. Voir la section <i>Four autonettoyant</i>.
LES GRILLES DU GLISSENT DIFFICILEMENT	<ul style="list-style-type: none"> Les grilles ont été nettoyées à l'aide du cycle d'autonettoyage et il est maintenant temps d'effectuer une lubrification périodique. Ne les vaporisez pas de Pam® ou d'un autre lubrifiant à vaporiser. Reportez-vous à la section <i>Grilles de four à extension complète</i> de la section <i>Entretien et autonettoyage</i>.

*Économisez
du temps et
de l'argent!*

PROBLÈME	CAUSE PROBABLE
L'HORLOGE ET LA MINUTERIE NE FONCTIONNENT PAS	<ul style="list-style-type: none"> Un fusible peut être grillé ou un disjoncteur peut être déclenché dans le panneau de votre résidence. Remplacez le fusible ou réenclenchez le disjoncteur. Les commandes du four ne sont pas réglées correctement. Voir les sections <i>Horloge et Minuterie</i>.
TEMPÉRATURE TROP ÉLEVÉE OU TROP BASSE DANS LE FOUR	<ul style="list-style-type: none"> La commande de température du four doit être réglée. Voir la section <i>Réglage du thermostat du four</i>.
LA PORTE NE S'OUVRE PAS APRÈS L'AUTONETTOYAGE	<ul style="list-style-type: none"> Le four est trop chaud. Laissez la température du four descendre sous la température de verrouillage.
LE MESSAGE "LOCKED" CLIGNOTE À L'ÉCRAN	<ul style="list-style-type: none"> Vous avez programmé l'autonettoyage mais n'avez pas fermé la porte. Fermez la porte du four.
LE MESSAGE "LOCKED" S'ALLUME LORSQUE VOUS DÉSIREZ EFFECTUER UNE CUISSON	<ul style="list-style-type: none"> La porte du four est verrouillée parce que la température dans le four n'est pas descendue sous la température de verrouillage. Tournez le bouton de sélection du mode de cuisson et le bouton de sélection de la température à OFF (arrêt). Laissez le four refroidir.
CLIGNOTEMENTS F9 EST AFFICHÉ À L'ÉCRAN	<ul style="list-style-type: none"> Le four utilise un code d'erreur de fonctionnement. Tournez le bouton de sélection du mode de cuisson et le bouton de sélection de la température à OFF (arrêt). Laissez le four refroidir pendant une heure. Remettez le four en marche. Débranchez l'alimentation électrique du four pendant 30 secondes, puis remettez le four sous tension. Si le code d'erreur de fonctionnement réapparaît, faites appel à un service d'entretien.
L'ÉCRAN D'AFFICHAGE N'EST PAS ALLUMÉ	<ul style="list-style-type: none"> Un fusible peut être grillé ou un disjoncteur peut être déclenché dans le panneau de votre résidence. Remplacez le fusible ou réenclenchez le disjoncteur. L'horloge est réglée au mode d'extinction. Voir la section <i>Caractéristiques spéciales</i>.
L'ÉCRAN D'AFFICHAGE CLIGNOTE	<ul style="list-style-type: none"> Panne de courant. Réglez à nouveau l'horloge.
IMPOSSIBILITÉ D'AFFICHER LE MESSAGE «SF»	<ul style="list-style-type: none"> Les boutons PROBE (sonde) et DELAY START (démarrage différé) doivent être enfoncés simultanément et maintenus enfoncés pendant 4 secondes.
LE MESSAGE «PROBE» EST AFFICHÉ À L'ÉCRAN	<ul style="list-style-type: none"> Ce message vous rappelle d'entrer une température interne après avoir branché la sonde. Entrez une température interne.
PANNE DE COURANT, L'HORLOGE CLIGNOTE	<ul style="list-style-type: none"> Panne de courant ou surtension. Réglez à nouveau l'horloge. Si le four était en fonctionnement, vous devez le régler de nouveau en enfonçant le bouton CLOCK (horloge), et en tournant et enfonçant le bouton de sélection miniature pour saisir les réglages.
DE LA VAPEUR S'ÉCHAPPE PAR L'ÉVENT	<ul style="list-style-type: none"> À la cuisson par convection, il est normal que de la vapeur s'échappe par l'évent du four. Plus le nombre de grilles utilisées ou la quantité d'aliments dans le four augmente, plus il y a de vapeur visible qui s'échappe.
ODEUR DE «BRÛLÉ» OU D'HUILE PROVENANT DE L'ÉVENT	<ul style="list-style-type: none"> Ce phénomène est normal lorsque le four est neuf et disparaîtra avec le temps.
FORTES ODEURS	<ul style="list-style-type: none"> Ce phénomène est temporaire. Les premières fois que vous utilisez le four, il est normal de sentir une odeur provenant de l'isolant qui se trouve à l'intérieur du four.
BRUIT DE VENTILATEUR	<ul style="list-style-type: none"> C'est normal. Le ventilateur de refroidissement se mettra en marche pour refroidir les pièces internes. Il peut fonctionner après le four éteint. Le ventilateur de convection se mettra en marche et s'arrêtera jusqu'à ce que la fonction de cuisson par convection soit terminée ou que la porte soit ouverte.

Avec l'achat de votre nouvel appareil Monogram, vous recevez aussi l'assurance que si vous avez besoin d'information ou d'aide de notre part, nous serons là pour vous. Vous n'avez qu'à appeler le numéro sans-frais!

GE Answer Center®

**Aux États-Unis :
800.626.2000**

Peu importe votre question au sujet des appareils électroménagers Monogram, le GE Answer Center® est là pour vous aider. Vous aurez les réponses à vos questions rapidement et de manière courtoise. Appelez au centre d'appels GE Answer Center^{MD} du lundi au vendredi entre 8 h 00 et 22 h 00 HNE, et le samedi entre 8 h 00 et 19 h 00 HNE.

OU

Visitez notre site Web au : monogram.com

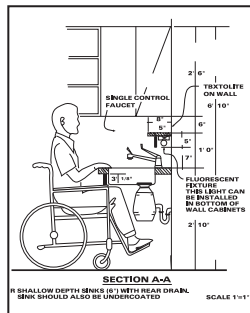
Le service de réparation In-Home

**Aux États-Unis :
800.444.1845**

Un professionnel du service à la clientèle GE vous fournira un service de réparation expert à un moment qui vous convient. Pour prendre rendez-vous, appelez entre 7 h 00 et 22 h 00 HNE en semaine, ou entre 8 h 00 et 18 h 00 HNE les samedis et dimanches. De nombreux endroits gérés par GE Consumer Service (service à la clientèle) vous offrent un service le jour même ou le lendemain ou selon ce qui vous convient. Nos techniciens formés en usine connaissent votre appareil de fond en comble et la plupart des réparations peuvent donc être réglées en une seule visite.

Pour les clients aux besoins spéciaux...

**Aux États-Unis :
800.626.2000**



GE met à votre disposition une brochure pour vous aider dans l'aménagement d'une cuisine adaptée aux personnes à mobilité réduite.

Les clients malentendants ou ayant des difficultés d'élocution et qui ont accès à un ATME ou à un tél'imprimeur traditionnel peuvent appeler le 1.800.TDD.GEAC (1.800.833.4322) pour demander de l'information ou des services.

Contrats de service

**Aux États-Unis :
800.626.2224**

Ne vous inquiétez pas non plus pour le service après la fin de votre garantie, GE Consumer Service (service à la clientèle) sera encore là pour vous. Achetez un contrat de GE avant la fin de votre garantie et profitez d'un rabais important. Avec un contrat de plusieurs années, vous êtes assuré d'avoir les prix actuels pour le service à l'avenir.

Pièces et accessoires

**Aux États-Unis :
800.626.2002**

Les personnes qualifiées pour la réparation de leurs propres appareils peuvent faire envoyer directement les pièces ou les accessoires à leur résidence. Le système de pièces GE offre un accès à plus de 47 000 pièces et toutes les pièces de rechange authentiques de GE sont entièrement garanties. Nous acceptons les cartes de crédit Visa, Mastercard et Discover.

Les instructions de maintenance de l'utilisateur dans ce manuel couvrent les procédures à effectuer par tout utilisateur. Tout autre entretien ou toute réparation doivent être confiés à du personnel qualifié. Il faut être prudent puisqu'un mauvais entretien ou une mauvaise réparation pourraient rendre dangereux le fonctionnement de l'appareil.

LA GARANTIE DE VOTRE FOUR MURAL MONOGRAM

Agrafez votre reçu ou votre chèque encaissé ici. La preuve de date d'achat original est nécessaire pour obtenir le service sous garantie. Veuillez avoir le numéro de série et de modèle sous la main lorsque vous appelez notre service de réparations.

CE QUI EST COUVERT

À partir de la date d'achat original

GARANTIE LIMITÉE D'UN AN

Pour une durée d'un an à partir de la date d'achat originale, nous fournirons, sans frais, les pièces et la main-d'œuvre à votre domicile pour la réparation et le remplacement de toute pièce du four défectueuse en raison d'un défaut de fabrication.

.....
Cette garantie est offerte à l'acheteur original et à tout autre propriétaire pour les produits achetés pour une utilisation résidentielle dans les 48 États continentaux, Hawaii, Washington (D.C.) et Canada. Si l'appareil se trouve dans une zone où le service de réparations autorisé n'est pas disponible, des frais de déplacement pourraient s'ajouter ou vous pourriez devoir apporter l'appareil à un réparateur autorisé. En Alaska, la garantie est la même sauf que vous devez payer l'expédition du produit à l'atelier de service ou le coût du voyage d'un technicien de service chez vous.

Tout le service sous garantie est fourni par nos Centres de service en usine ou par un technicien de Customer Care® autorisé durant les heures normales de travail.

S'il devient nécessaire de réparer votre appareil, au cours de la période de garantie ou après, appelez le 1.800.561.3344.

CE QUI N'EST PAS COUVERT

- Les déplacements du service pour vous enseigner comment utiliser le produit.
- Remplacement des fusibles résidentiels ou réinitialisation des disjoncteurs.
- Tout dommage au produit à la suite d'un accident, incendie, inondation ou force majeure.
- Tout dommage après livraison.
- Défaillance du produit à la suite d'un abus, d'une mauvaise utilisation, d'une utilisation à des fins autres que celles prévues ou à une utilisation commerciale.
- Mauvaise installation, livraison ou maintenance.

Si vous éprouvez des problèmes avec l'installation, communiquez avec votre vendeur ou avec l'installateur. Il vous incombe de fournir les prises adéquates pour l'électricité, le gaz, l'évacuation et les autres raccords, telles que décrites dans les Instructions d'installation fournies avec ce produit.

- Dommages indirects ou consécutifs causés par des défauts possibles de l'appareil.
- Produit non accessible pour faire les réparations nécessaires.
- Le service pour réparer ou remplacer les ampoules, à l'exception des lampes DEL.

EXCLUSION DES GARANTIES TACITES : Votre seule et unique voie de droit est la réparation du produit aux termes de la présente garantie limitée. Toutes les garanties tacites, y compris les garanties de valeur marchande ou d'adéquation à un usage particulier, sont limitées à une durée d'un an, ou à la durée la plus courte autorisée par la loi en vigueur.

Certains états/provinces n'acceptent pas d'exclusion ou de limites aux dommages indirects et consécutifs, il se peut donc que l'exclusion précédente ne s'applique pas dans votre cas. Cette garantie vous donne des droits juridiques précis et vous pourriez aussi avoir d'autres droits qui varient d'une juridiction à l'autre. Pour connaître vos droits juridiques dans votre état/province, consultez votre bureau des affaires aux consommateurs local ou d'état/province ou l'avocat général de votre état/province.

Garant aux É.-U. : General Electric Company,
Louisville, KY 40225

Garant au Canada : Mabe Canada Inc.



GE Consumer & Industrial
Appliances
General Electric Company
Louisville, KY 40225
monogram.com

Owner's Manual

30" Convection Wall Oven

ZET1P – Single Wall Oven
ZET1S – Single Wall Oven
ZET2P – Double Wall Oven
ZET2S – Double Wall Oven

Four mural à convection de 76 cm (30 po)

Manuel du propriétaire
ZET1P – Four mural simple
ZET1S – Four mural simple
ZET2P – Four mural double
ZET2P – Four mural double

La section française commence à la page 43

Horno de convección de pared de 30"

Manual del propietario
ZET1P – Horno de pared simple
ZET1S – Horno de pared simple
ZET2P – Horno de pared doble
ZET2P – Horno de pared doble

La sección en español empieza en la página 85

49-80720

04-14 GE
Printed in the United States
monogram.com



Consumer Information

Wall Oven

Introduction

Your new Monogram wall oven makes an eloquent statement of style, convenience and kitchen planning flexibility. Whether you chose it for its purity of design, assiduous attention to detail— or for both of these reasons—you'll find that your Monogram wall oven's superior blend of form and function will delight you for years to come.

Your Monogram wall oven was designed to provide the flexibility to blend in with your kitchen cabinetry. Its sleek design can be beautifully integrated into the kitchen.

The information on the following pages will help you operate and maintain your wall oven properly.

Contents

Care and Cleaning

Broiler Pan and Grid	33
Oven Door	35, 37
Oven Lights	36
Probe	35
Racks	34

Consumer Services

Important Phone Numbers	41
Model and Serial Number	3
Problem Solver	38, 39
Product Registration	3
Safety Instructions	4–6
Warranty	42

Oven

Aluminum Foil	10, 13, 22
Baking	12
Broiling	13, 14
Clock	28
Controls	8, 9, 12, 14, 16, 18, 19, 20, 22, 25, 26, 27
Control Lockout	28
Convection Cooking	17–22
Features	7
Probe	9, 15, 16, 20, 35
Proofing	25
Racks	11
Sabbath Feature	32
Self-Cleaning Instructions	26, 27
Special Features	30–32
Thermostat Adjustment	30
Timed Cooking	23, 24
Timer	29

Remove packaging tape

Carefully grasp a corner of the protective shipping film with your fingers and slowly peel it from the appliance surface. Do not use any sharp items to remove the film. Remove all of the film before using the appliance for the first time.

To assure no damage is done to the finish of the product, the safest way to remove the adhesive from packaging tape on new appliances is an application of a household liquid dishwashing detergent. Apply with a soft cloth and allow to soak.

NOTE: The adhesive must be removed from all parts. It cannot be removed if it is baked on.

Consumer Information

Wall Oven

Before using your wall oven

Read this manual carefully. It is intended to help you operate and maintain your new wall oven properly.

Keep it handy for answers to your questions.

If you don't understand something or need more help, there is a list of toll-free consumer service numbers included in the back section of this manual.

OR

Visit our Website at: monogram.com

Write down the model & serial numbers

You'll find them on a label on the front left trim behind the oven door.

Fill out and return the Consumer Product Registration Card that is packed with this product.

Before sending in this card, please write these numbers here:

Model Number

Serial Number

Use these numbers in any correspondence or service calls concerning your wall oven.

If you received a damaged wall oven

Immediately contact the dealer (or builder) that sold you the wall oven.

Save time & money

Before you request service, check the Problem Solver in the back of this manual.

It lists causes of minor operating problems that you can correct yourself.

If you need service

To obtain service, see the Consumer Services page in the back of this manual.

We're proud of our service and want you to be pleased. If for some reason you are not happy with the service you receive, here are two steps to follow for further help.

FIRST, contact the people who serviced your appliance. Explain why you are not pleased. In most cases, this will solve the problem.

NEXT, if you are still not pleased, write all the details—including your phone number—to:

Manager, Customer Relations
GE Appliances
Appliance Park
Louisville, KY 40225

IMPORTANT SAFETY INSTRUCTIONS

IMPORTANT SAFETY NOTICE

- The California Safe Drinking Water and Toxic Enforcement Act requires the Governor of California to publish a list of substances known to the state to cause cancer, birth defects or other reproductive harm, and requires businesses to warn customers of potential exposure to such substances.
- The fiberglass insulation in self-clean ovens gives off a very small amount of carbon monoxide during the cleaning cycle. Exposure can be minimized by venting with an open window or using a ventilation fan or hood.
- **IMPORTANT:** The health of some birds is extremely sensitive to the fumes given off during the self-cleaning cycle of any oven. Move birds to another well-ventilated room.

SAFETY PRECAUTIONS

When using your electrical appliances, basic safety precautions should be followed, including the following:

- Be sure all packing materials are removed from the oven before operating it to prevent fire or smoke damage should the packing material ignite.
 - Use this appliance only for its intended use as described in this Owner's Manual.
 - Be sure your appliance is properly installed and grounded by a qualified technician in accordance with the provided installation instructions.
 - Be sure the oven is securely installed in a cabinet that is firmly attached to the house structure. Never allow anyone to climb, sit, stand or hang on the oven door.
 - Have the installer show you the location of the circuit breaker or fuse. Mark it for easy reference.
 - Do not attempt to repair or replace any part of your wall oven unless it is specifically recommended in this manual. All other servicing should be referred to a qualified technician.
 - Teach children not to play with the controls or any other part of the oven.
 - Never leave the oven door open when you are not watching the oven.
 - Always keep dish towels, dish cloths, pot holders and other linens a safe distance from your oven.
 - For your safety, never use your appliance for warming or heating the room.
 - Do not store flammable materials in the oven.
 - Always keep wooden and plastic utensils and canned food a safe distance away from your oven.
 - Always keep combustible wall coverings, curtains or drapes a safe distance from your oven.
 - DO NOT STORE OR USE COMBUSTIBLE MATERIALS, GASOLINE OR OTHER FLAMMABLE VAPORS AND LIQUIDS IN THE VICINITY OF THIS OR ANY OTHER APPLIANCE.
 - Do not let cooking grease or other flammable materials accumulate in or near the wall oven.
 - Do not use water on grease fires. Never pick up a flaming pan. Turn the controls off.
- Flame in the oven can be smothered completely by closing the oven door and turning the oven off or by using a multi-purpose dry chemical or foam-type fire extinguisher.
- Do not use any type of foil or liner to cover the oven bottom or anywhere in the oven, except as described in this manual. Oven liners can trap heat or melt, resulting in damage to the product and risk of shock, smoke or fire.

IMPORTANT SAFETY INSTRUCTIONS

SAFETY PRECAUTIONS

- **Do not use aluminum foil to line oven bottom.**
Foil may trap heat from the bottom heating element, resulting in a risk of electrical shock, fire, or product damage.
- **Cook meat and poultry thoroughly**—meat to at least an INTERNAL temperature of 160°F and poultry to at least an INTERNAL temperature of 180°F. Cooking to these temperatures usually protects against foodborne illness.
- **Before performing any service, DISCONNECT THE OVEN POWER SUPPLY AT THE HOUSEHOLD DISTRIBUTION PANEL BY REMOVING THE FUSE OR SWITCHING OFF THE CIRCUIT BREAKER.**
- **Do not leave children alone**—children should not be left alone or unattended in an area where an appliance is in use. They should never be allowed to sit or stand on any part of the appliance.
- **Do not touch the heating elements or the interior surface of the oven.** These surfaces may be hot enough to burn even though they are dark in color. During and after use, do not touch, or let clothing or other flammable materials contact, any interior area of the oven; allow sufficient time for cooling first.

Potentially hot surfaces include the oven vent openings and surfaces near the openings, crevices around the oven door, the edges of the door window and metal trim parts above the door.

Remember: The inside surface of the oven may be hot when the door is opened.

- **⚠ CAUTION:** ITEMS OF INTEREST TO CHILDREN SHOULD NOT BE STORED IN CABINETS ABOVE AN OVEN—CHILDREN CLIMBING ON THE OVEN TO REACH ITEMS COULD BE SERIOUSLY INJURED.
- **Never wear loose-fitting or hanging garments while using the appliance.** Be careful when reaching for items stored over the oven. Flammable material could be ignited if brought in contact with oven heating elements and may cause severe burns.
- **Use only dry pot holders**—moist or damp pot holders on hot surfaces may result in burns from steam. Do not let pot holders touch hot heating elements. Do not use a towel or other bulky cloth.
- **Keep the oven vent unobstructed.**
- **Keep the oven free from grease buildup.**
- **Stand away from the oven when opening the oven door.** Hot air or steam which escapes can cause burns to hands, face and/or eyes.
- **After broiling, always take the broiler pan out of the oven and clean it.** Leftover grease in the broiler pan can catch fire the next time you use the pan.
- **Large scratches or impacts to glass doors can lead to broken or shattered glass.**
- **Never leave jars or cans of fat drippings in or near your oven.**

IMPORTANT SAFETY INSTRUCTIONS

SAFETY PRECAUTIONS

- **Children in walkers, or children crawling, can be attracted to the round oven door handle and may grab and open the oven door.** This can result in injury from the door being pulled open on a child, or severe burns if the oven is in use and hot.
- **Do not heat unopened food containers.** Pressure could build up and the container could burst, causing an injury.
- **Place the oven rack in the desired position while the oven is cool.** If racks must be handled when hot, do not let pot holder contact the heating elements.
- **Extending the rack to its fully open position is a convenience in lifting heavy foods.** It is also a precaution against burns from touching hot surfaces of the door or oven walls.
- **When using cooking or roasting bags in the oven, follow the manufacturer's directions.**
- **Do not use your oven to dry newspapers.** If overheated, they can catch on fire.
- **Do not use oven for a storage area.** Items stored in an oven can ignite.
- **Do not leave paper products, cooking utensils or food in the oven when not in use.**
- **Do not allow anyone to climb, stand or hang on the door.** They could damage the oven or cause severe personal injury.

SELF-CLEANING OVEN

- **Do not clean the door gasket.** The door gasket is essential for a good seal. Care should be taken not to rub, damage or move the gasket.
- **Do not use oven cleaners.** No commercial oven cleaner or oven liner protective coating of any kind should be used in or around any part of the oven. Residue from oven cleaners will damage the inside of the oven when the self-clean cycle is used.
- **Clean only parts listed in this Owner's Manual.**
- **Before self-cleaning the oven, remove the broiler pan, grid and other cookware.**
- **Be sure to wipe up excess spillage before starting the self-cleaning operation.**
- **If the self-cleaning mode malfunctions, turn the oven off and disconnect the power supply.** Have it serviced by a qualified technician.
- **The oven racks may be cleaned in the oven during the self-cleaning cycle.**
- **Never place cooking utensils, pizza or baking stones, or any type of foil or liner on the oven floor.** These items can trap heat or melt, resulting in damage to the product and risk of shock, smoke or fire.

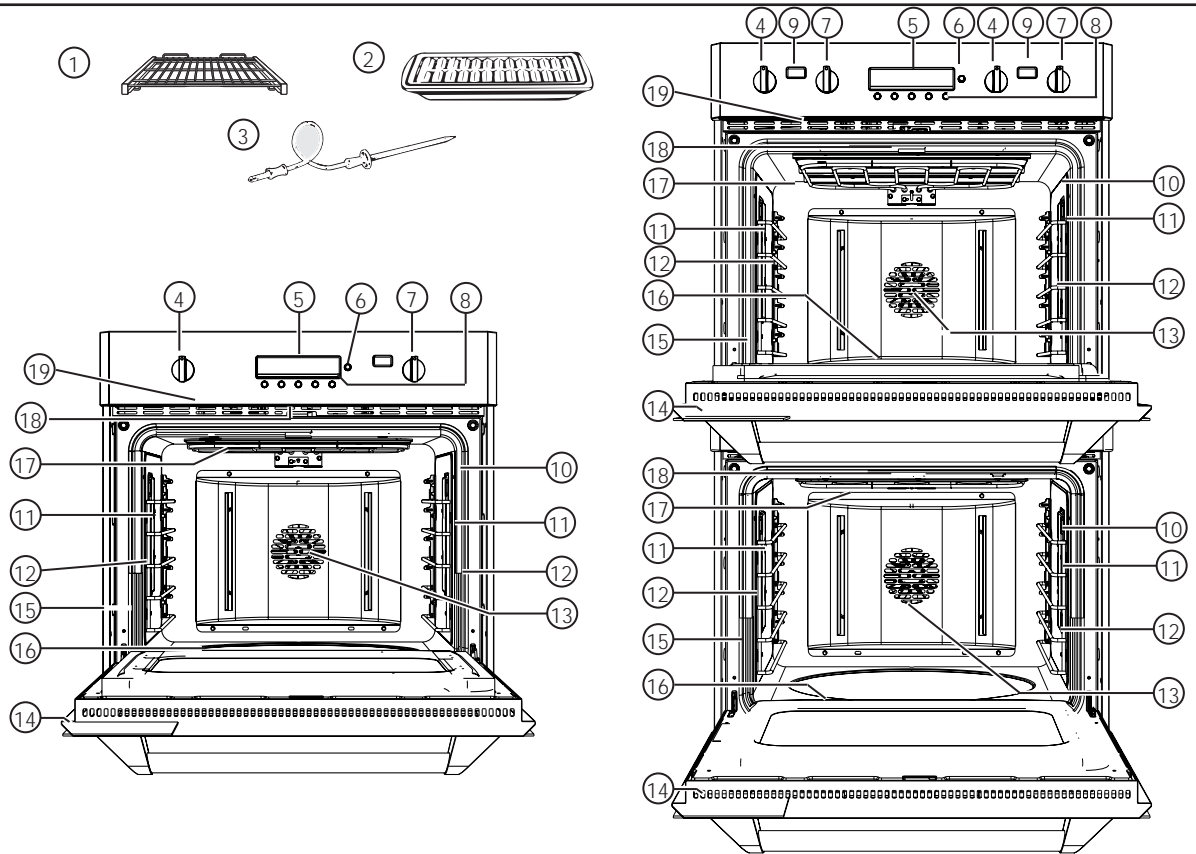
SAVE THESE INSTRUCTIONS

Features of Your Wall Oven

Wall Oven

Design information

(Not all features are on all models. Appearance may vary.)



ZET1—shown with Pro style knobs

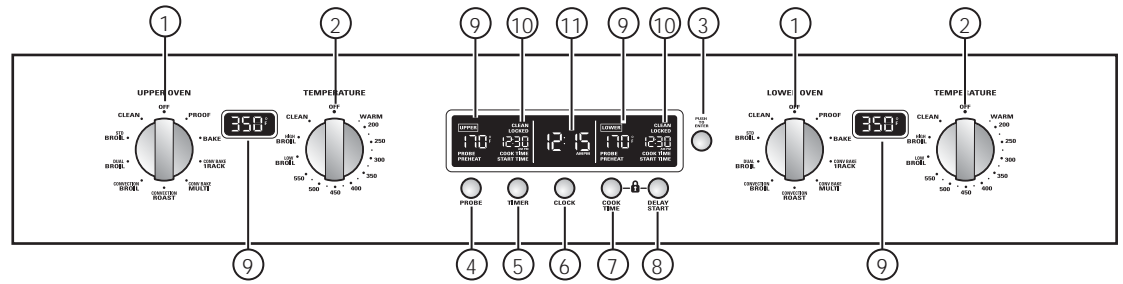
ZET2—shown with Pro style knobs

Feature Index	Page
1 Full Extension Oven Racks (3 in each oven)	10, 11, 12, 13, 14, 17, 18, 19, 20, 22, 23, 25, 34
2 Broiler Pan and Grid	19, 33
3 Probe	9, 15, 16, 20, 35
4 Oven Mode knob	9, 12, 14, 16, 18, 19, 20, 22, 25, 26, 27
5 Display	9
6 Mini-Knob – Turn to set and push to enter PROBE, TIMER, CLOCK, COOK TIME and DELAY START settings.	9, 16, 20, 23, 24, 26, 27, 28, 29, 30, 31, 32
7 Temperature knob	9, 12, 14, 16, 18, 19, 20, 22, 26, 27
8 Probe, Timer, Clock, Cook Time and Delay Start buttons. Push to select feature, turn the Mini-Knob to set and push it to enter.	9, 16, 20, 23, 24, 26, 27, 28, 29, 30, 31, 32
9 Sub-Displays – Upper and lower oven temperatures shown in their dedicated displays (on models so equipped).	—
10 Probe Outlet	15, 16, 20, 22, 26, 38, 39
11 Halogen Oven Lights	36, 38
12 Oven Rack Supports (5 positions)	11, 36
13 Convection Fan (operates during convection cooking and while preheating)	12, 13, 16, 17, 18, 19, 20, 22, 23, 26, 27, 39
14 Removable Oven Door	35
15 Oven Door Gasket	37
16 Bake Element (under the oven floor)	4, 18, 33
17 Broil Element	17, 33, 38
18 Automatic Oven Door Latch	26, 27
19 Oven Vent	5, 39

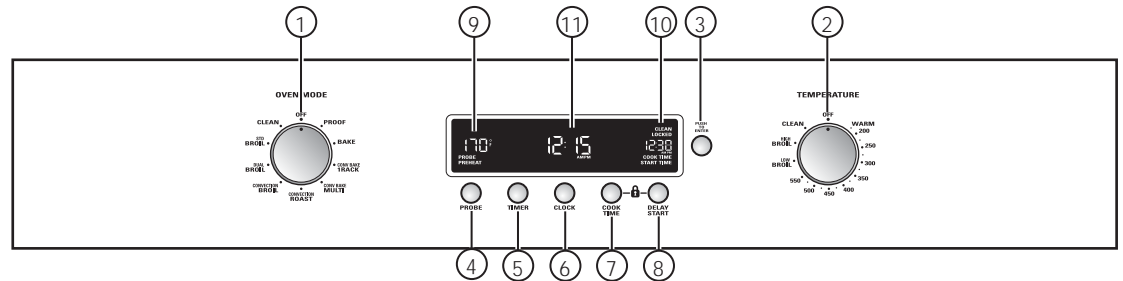
Oven Control, Clock and Timer

Wall Oven

Features of your oven control, clock and timer (Not all features are on all models. Appearance may vary.)



Double oven control – Pro style shown (Appearance may vary)



Single Oven control – Integrated style shown (Appearance may vary)

1 Oven Mode knob – Turn to select:

- PROOF** – Maintains a warm environment useful for rising yeast-leavened products.
- BAKE** – Select for traditional baking.
- CONV BAKE 1 RACK** – Use for convection baking on one rack.
- CONV BAKE MULTI** – Use for convection baking on multiple racks.
- CONV ROAST** – Use for convection roasting.
- CONV BROIL** – Use for convection broiling.
- DUAL BROIL** – Select to provide traditional broiling for a larger food quantity.
- STD BROIL** – Select to provide traditional broiling for a smaller food quantity.
- CLEAN** – Select for the self-cleaning function. See the *Self-Cleaning Oven* section.

2 Temperature knob – Turn to select:

- Use to set baking temperatures from 200°F to 550°F.
- WARM** – Keeps already cooked foods warm for up to 2 hours after the cooking function is finished.
- LOW BROIL** – A lower broiling temperature is automatically set.
- HIGH BROIL** – A higher broiling temperature is automatically set.
- CLEAN** – The self-clean temperature is automatically set.

3 Mini-Knob - Turn to select and push to enter PROBE, TIMER, CLOCK, COOK TIME and DELAY START settings.

4 PROBE – Push to select the probe to cook food to a set internal temperature. Turn and push the Mini-Knob to set.

5 TIMER – Push to select the timer function. The timer does not control oven operations. The timer can time up to 11 hours and 59 minutes. Turn and push the Mini-Knob to set.

6 CLOCK – Push to enter the time of day. Turn and push the Mini-Knob to set.

7 COOK TIME – Push to enter the desired length of cooking time for baking (or roasting), convection baking and convection roasting. Turn and push the Mini-Knob to set.

8 DELAY START – Push to delay the start of cooking or the self-clean cycle. Turn and push the Mini-Knob to set the time you want the oven to start.

9 Temperature Display – Shows the oven set temperature or probe set temperature and if the oven is preheating. (On some double wall oven models, UPPER and LOWER are displayed above their respective settings.)

NOTE: On some wall oven models, the set temperature shows in displays between their respective control knobs.

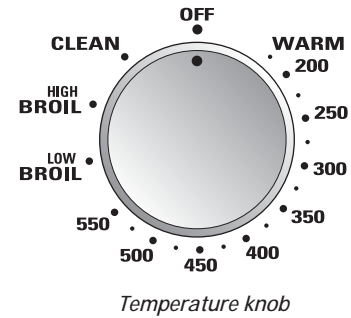
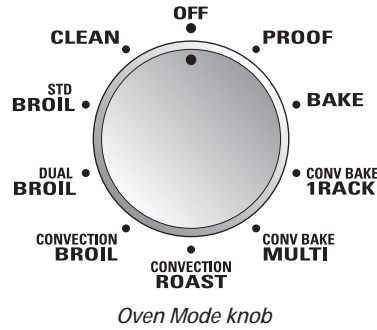
10 Timing and Cleaning Status Display – If set, shows the remaining COOK TIME and the DELAY START time. Lights indicate the status of the self-clean cycle.

11 Time of Day Display – Shows set time of day.

Controls Overview

Wall Oven

Introduction to the oven controls



For all modes except Proof, the oven will not operate unless both the Oven Mode and the Temperature knobs are set. See table.

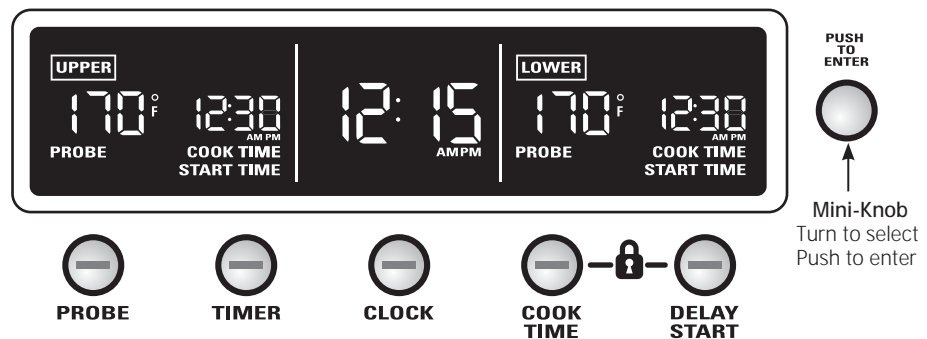
To cancel a feature, turn either the Oven Mode knob or the Temperature knob to OFF.

To cancel PROOF, turn the Oven Mode knob to OFF.

Mode Knob	Temperature Knob
PROOF	OFF
BAKE	WARM to 550°F
CONV BAKE/1 RACK	WARM to 550°F
CONV BAKE/MULTI	WARM to 550°F
CONVECTION/ROAST	WARM to 550°F
CONVECTION/BROIL	HIGH or LOW BROIL
DUAL BROIL	HIGH or LOW BROIL
STD BROIL	HIGH or LOW BROIL
CLEAN	CLEAN

Introduction to the probe temperature set and time controls

Double oven display shown



Push the PROBE, TIMER, CLOCK, COOK TIME or DELAY START buttons and set them by turning and pushing the Mini-Knob. See each respective section for details.

The Mini-Knob will select in increments of 1, 5 or 10 depending on how fast it is turned. Turn it clockwise to increase probe set temperatures and time or counterclockwise to reduce them. Push to set.

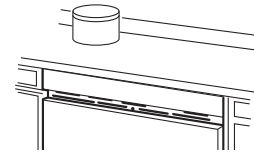
See the *Control lockout* section for how to lock and unlock the controls.

Baking Tips

Wall Oven

Oven air flow

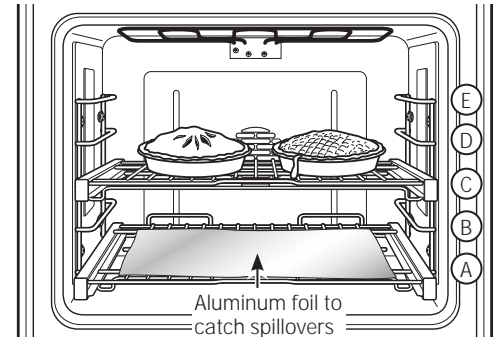
An internal cooling fan operates during all oven modes. The warm air from inside the oven will be exhausted out through vents located below the door and bottom trim.



Aluminum Foil and Oven Liners

⚠ CAUTION: Do not use any type of foil or oven liner to cover the oven bottom. These items can trap heat or melt, resulting in damage to the product and risk of shock, smoke or fire. Damage from improper use of these items is not covered by the product warranty.

Foil may be used to catch spills by placing a sheet on a lower rack, several inches below the food. Do not use more foil than necessary and never entirely cover an oven rack with aluminum foil. Keep foil at least 1-1/2" from oven walls to prevent poor heat circulation.



Note: "NO FOIL ON OVEN BOTTOM" note is enameled on the bottom of the oven cavity and is designed to withstand self-cleaning temperatures. Do not attempt to peel or scrape off.

Pan placement

For even cooking and proper browning, there must be enough room for air circulation in the oven. Baking results will be better if baking pans are centered as much as possible rather than being placed to the front or to the back of the oven.

Pans should not touch each other or the walls of the oven. Allow 1- to 1½" space between pans as well as from the back of the oven, the door and the sides.

If you need to use two racks, use rack positions A and C, B and D or A and D and stagger the pans so that one is not directly above the other.

Baking pans/sheets

Use the proper baking pan. The type of finish on the pan determines the amount of browning that will occur.

- Dark, rough or dull pans absorb heat resulting in a browner, crisper crust. Use this type for pies.

- Shiny, bright and smooth pans reflect heat, resulting in a lighter, more delicate browning. Cakes and cookies require this type of pan or sheet.

- Glass baking dishes also absorb heat. When baking in glass baking dishes, the temperature may need to be reduced by 25°F.

Preheating

Allow the oven to preheat before placing food in the oven. Preheating is necessary for good results when baking cakes, cookies, pastry and breads.

To preheat, set the oven at the correct temperature. The PREHEAT light will turn on and 100°F will appear in the display. (The temperature display will start to change once the oven temperature reaches 100°F.) The convection fan will also turn on during preheating.

The control will beep when the oven is preheated—this will take approximately 10 to 15 minutes. The PREHEAT light will turn off and the display will show the set temperature.

When the PREHEAT light goes off, foods should be placed in the oven.

The type of margarine will affect baking performance!

Most recipes for baking have been developed using high-fat products such as butter or margarine (80% fat). If you decrease the fat, the recipe may not give the same results as with a higher-fat product.

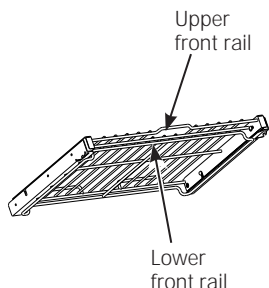
Recipe failure can result if cakes, pies, pastries, cookies or candies are made with low-fat spreads. The lower the fat content of a spread product, the more noticeable these differences become.

Federal standards require products labeled "margarine" to contain at least 80% fat by weight. Low-fat spreads, on the other hand, contain less fat and more water. The high moisture content of these spreads affect the texture and flavor of baked goods. For best results with your old favorite recipes, use margarine, butter or stick spreads containing at least 70% vegetable oil.

Before You Begin

Wall Oven

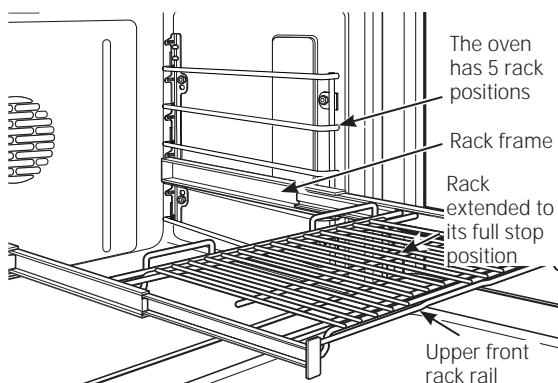
Full extension oven racks



To avoid possible burns, place the racks in the correct position before turning on the oven.

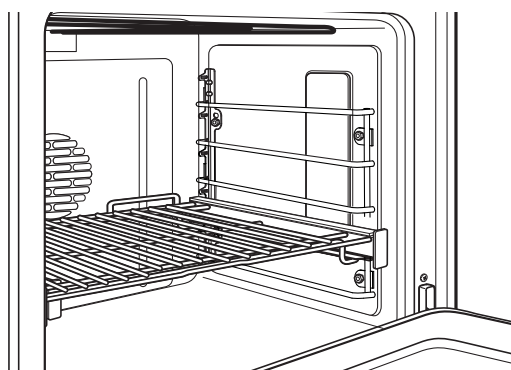
The correct rack position depends on the kind of food and the browning desired.

The racks have a frame that locks into the rack supports on both sides. Once the frame is locked into place, always pull the rack out, by its upper front rail, to its full extension stop position, when placing or removing cookware.

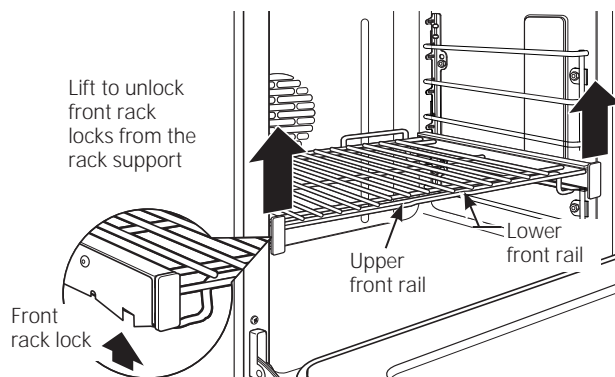


To remove a rack:

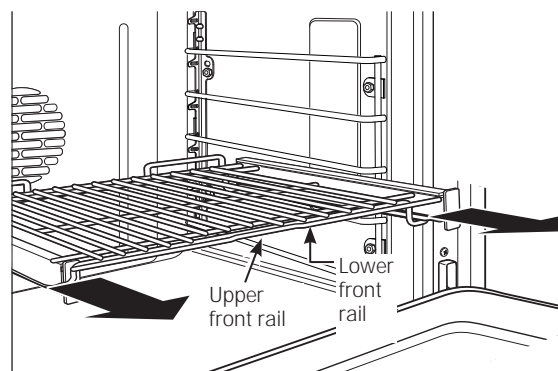
1. Make sure the rack is pushed all the way into the oven.



2. Grasp the rack by both its upper front rail and its lower front rail and lift straight up to unlock the front rack locks from the rack supports.

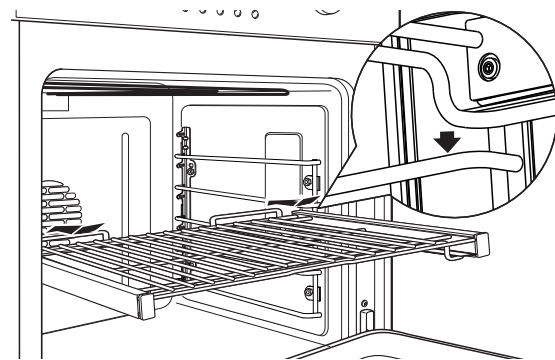


3. Firmly holding onto both the upper and lower front rack rails, pull the rack forward and remove it from the oven.

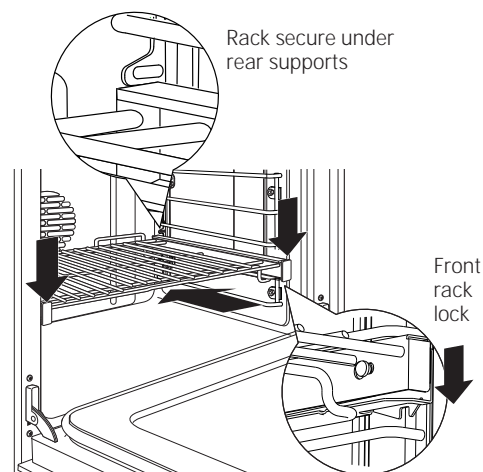


To replace a rack:

1. Place the rack onto the rack supports (five rack positions are available including the top position).



2. Slide the rack all the way in until the rack is secure under the rear rack supports and press the front rack locks onto the front rack supports. Slide the rack all the way out to ensure that the rack is latched.

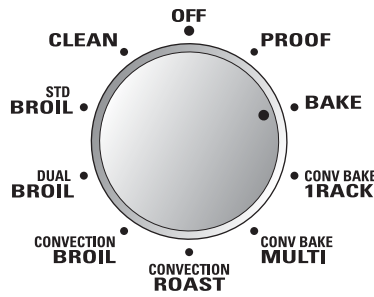


Slide the rack all the way in and push down to lock the front rack locks onto the front rack supports

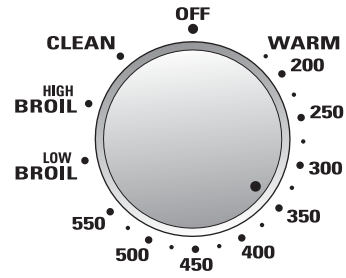
Baking

Wall Oven

How to set the oven for baking



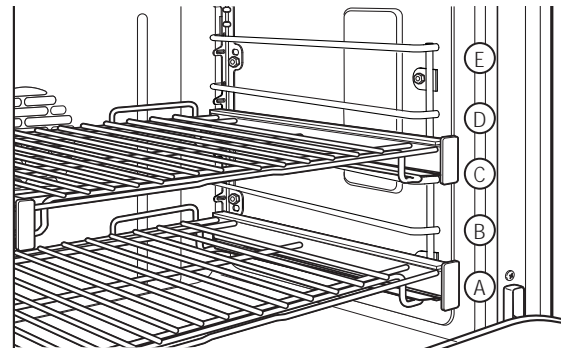
Oven Mode knob



Temperature knob

- 1 Turn the Oven Mode knob to BAKE.
- 2 Using the Temperature knob, set the desired temperature, in 25°F increments, from 200°F to 550°F.
The oven and the oven interior lights will turn on immediately and stay on until the oven is turned off.
The convection fan will turn on (after a short delay), the PREHEAT light will turn on and 100°F will appear in the display. (The temperature display will start to change once the oven temperature reaches 100°F.) The control will beep when the oven is preheated—this will take approximately 10 to 15 minutes. The PREHEAT light will turn off and the display will show the set temperature.
When the PREHEAT light goes off, place food in the oven.
- 3 Check the food for doneness at the minimum time on the recipe. Cook longer if necessary.
- 4 Turn the Oven Mode knob and the Temperature knob to OFF when baking is finished.

NOTE: A cooling fan will turn on to cool internal parts. This is normal, and the fan may continue to run even after the oven is turned off.



The oven has 5 rack positions. See the *Full extension oven racks* section for how to use, remove and replace the racks.

Type of Food	Rack Position
Angel food cake	A
Biscuits or muffins	B or C
Cookies or cupcakes	B or C
Brownies	B or C
Layer cakes	B or C
Bundt or pound cakes	A or B
Pies or pie shells	B or C
Single pie	B or C
Frozen pies	B or C (on cookie sheet)
Casseroles	B or C

Introduction to broiling

Different broil elements are used in each broil mode as described below. There are 3 different broil modes, each providing a HI and a LO setting.

- The HI setting can be used to seal in juices or provide intense browning or charring when needed (a higher rack is generally used).
- The LO setting can be used when foods need adequate browning and also need to be thoroughly cooked through (a lower rack is used for large food items such as pork tenderloin or London Broil).

Dual Broil – Both the inside and outside broil elements are used in this broil mode. Use this mode for full broiler pan food loads. See the *How to set the oven for broiling* section.

HI – Full broiler pan – hamburgers; roast vegetables such as whole peppers, eggplant, corn, assorted cut vegetables, kabobs and very thin meats such as smoked pork chops

LO – Full broiler pan – fish fillets

Std Broil – Uses the inner element only – use for smaller food loads. See the *How to set the oven for broiling* section.

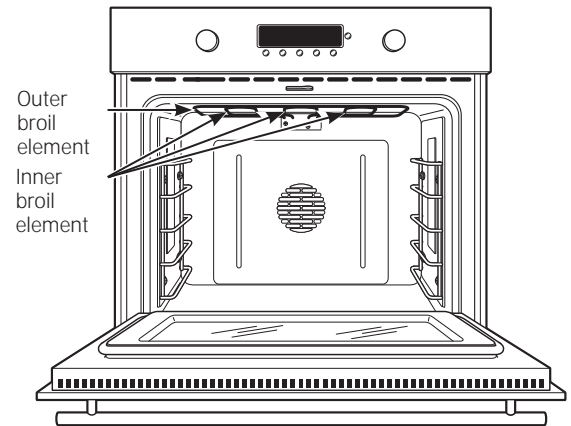
HI – Small food quantity – (2–4) hamburgers or 1/2"–1" pork chops or steaks

LO – Small food quantity – (2–4) chicken breasts or fish fillets

Convection Broil – Uses both the inside and outside broil elements and the convection fan. See the *How to set the oven for convection broiling* section.

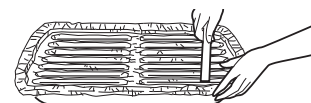
HI – 1½"–2" thick steaks, London Broil and chicken breasts (seals in juices without overbrowning)

LO – Large pork tenderloin or beef roast (provides adequate browning along with thorough cooking)



Aluminum foil

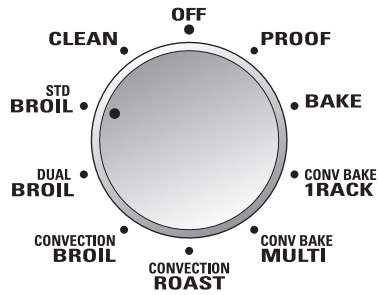
You can use aluminum foil to line the broiler pan and broiler grid. However, you must mold the foil tightly to the grid and cut slits in it just like the grid.



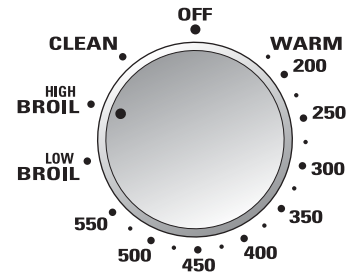
Broiling

Wall Oven

How to set the oven for broiling



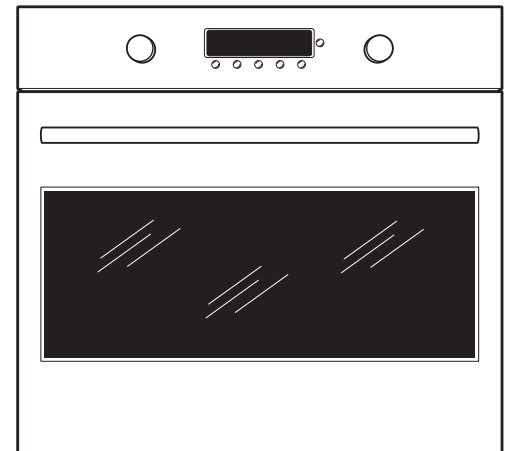
Oven Mode knob



Temperature knob

- 1 If the meat has fat or gristle around the edge, cut vertical slashes through both about 2" apart. If desired, the fat may be trimmed, leaving a layer about 1/8" thick.
- 2 Place the meat or fish on the broiler pan and grid. Always use the grid so that any fat will drip into the broiler pan; otherwise the juices may become hot enough to catch on fire.
- 3 Position rack in oven.
- 4 Close the door. *Always broil with the door closed.*
- 5 Turn the Oven Mode knob to DUAL BROIL (for larger food quantities) or STD BROIL (for smaller food quantities).
- 6 Turn the Temperature knob to LOW BROIL or HIGH Broil. The broiling temperature will be automatically set. LO or HI will appear in the display depending on the automatic broil temperature selected.
The oven and the oven interior lights will turn on immediately and stay on until the oven is turned off.
- 7 When broiling is finished, turn the Oven Mode knob and the Temperature knob to OFF.

NOTE: A cooling fan will turn on to cool internal parts. This is normal, and the fan may continue to run even after the oven is turned off.



Close the door. *Always broil with the door closed.*

The broiler does not need to be preheated for most broiling. However, foods that cook quickly, such as thin strips of meat or fish may require a short preheating period of 2 to 3 minutes to allow the food surface to brown in the same time the food takes to be cooked throughout.

Turn the food only once during broiling.

NOTE: Broil will not work if the temperature probe is plugged in. Never leave your probe inside the oven during a broil cycle.

Using the Probe for Roasting

Wall Oven

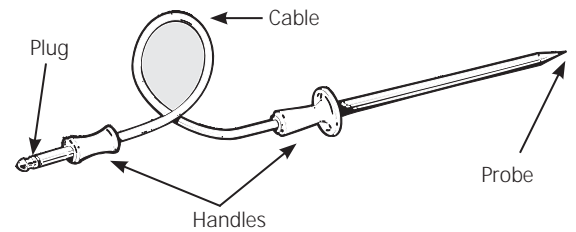
Temperature probe

For many foods, especially roasts and poultry, internal food temperature is the best test for doneness. The temperature probe takes the guesswork out of roasting by cooking foods to the exact doneness you want.

Use of probes other than the one provided with this product may result in damage to the probe.

Use the handles of the probe and plug when inserting and removing them from the meat and oven outlet.

- To avoid damaging the probe, do not use tongs to pull on the cable when removing it.
- To avoid breaking the probe, make sure food is completely defrosted before inserting.
- To prevent possible burns, do not unplug the probe from the outlet until the oven has cooled.
- Never leave the probe inside the oven during a broil or self-cleaning cycle.
- Do not store the probe in the oven.



The temperature probe has a skewer-like probe at one end and a plug at the other end that goes into the outlet in the oven.

Proper placement of the probe

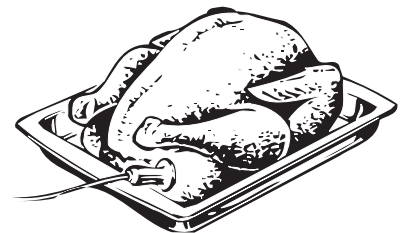
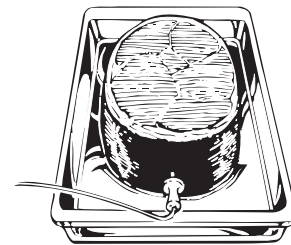
After preparing the meat and placing it on the broiler pan grid, follow these directions for proper probe placement.

- The tip of the probe should rest in the center of the thickest meaty part of the roast.
- The probe must be inserted completely into the meat, up to the handle, in order for it to read the temperature properly. It should not touch the bone, fat or gristle.

For roasts with no bone, insert the probe into the meatiest part of the roast. For bone-in ham or lamb, insert the probe into the center of the lowest large muscle or joint.

Insert the probe into the center of dishes such as meat loaf or casseroles. When cooking fish, insert the probe from just above the gill into the meatiest area, parallel to the backbone.

Insert the probe into the meatiest part of the inner thigh from below and parallel to the leg of a whole turkey.

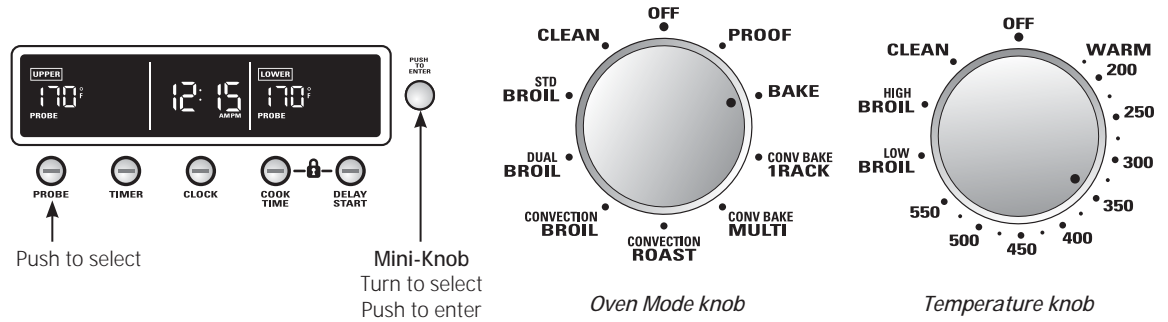


Using the Probe for Roasting

Wall Oven

How to set the oven for roasting when using the probe

Double oven display shown.



- 1 Insert the probe into the meat.
- 2 Plug the probe into the outlet in the oven. Make sure it is pushed all the way in. Close the oven door.

- 3 Push the **PROBE** button.

NOTE: On double wall oven models, the oven control will automatically set the oven that has the probe plugged into it.

- 4 Turn the Mini-Knob to select and push it to enter the desired internal food or meat temperature. The minimum and maximum internal temperatures for the food that you can enter are 100°F to 200°F.

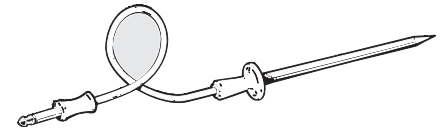
"PROBE" will flash in the display if the probe is inserted into the outlet and you have not entered a probe temperature.

- 5 Turn the Oven Mode knob to **BAKE**. For convection roasting with the probe, see the *How to set the oven for convection roasting with the probe* section.

- 6 Using the Temperature knob, set the desired oven temperature, in 25°F increments, from 200°F to 550°F.

The oven and the oven interior lights will turn on immediately and stay on until the oven is turned off.

The convection fan will turn on (after a short delay), the **PROBE** light will turn on and 100°F will appear in the display. (The temperature display will start to change once the internal temperature of the meat reaches 100°F.)



CAUTION: To prevent possible burns, do not unplug the probe from the oven outlet until the oven has cooled. Do not store the probe in the oven.

- 7 When the internal temperature of the meat reaches the number you have set, the probe and the oven turn off, **END** will show in the display and the oven control will beep. (**PROBE** will remain lit along with the probe temperature.) To stop the reminder beep, turn the Oven Mode knob and the Temperature knob to **OFF** or push the Mini-Knob. Use hot pads to remove the probe from the food. Do not use tongs to pull on it—they might damage it.

"PROBE" will flash in the display until the probe is removed from the oven receptacle.

To change the set internal food or meat (probe) temperature during the Roast cycle, push the **PROBE** button, turn the Mini-Knob to select the new temperature and push to enter it.

- You can use the timer even though you cannot use timed oven operations.

Using the Convection Oven

Wall Oven

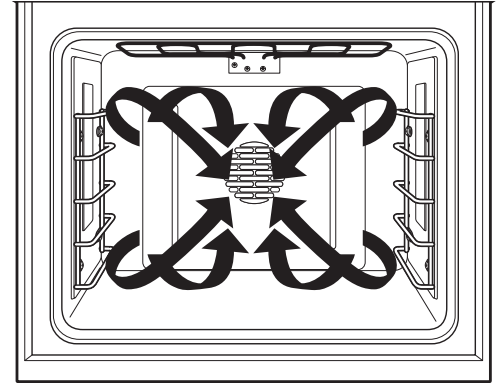
Convection fan

In a convection oven, a fan circulates hot air over, under and around the food.

This circulating hot air is evenly distributed throughout the oven cavity. As a result, foods are evenly cooked and browned—often in less time with convection heat.

NOTE: The convection fan will cycle on and off while cooking to best distribute hot air in the oven.

The convection fan shuts off when the oven door is opened. **DO NOT** leave the door open for long periods of time while using convection cooking or you may shorten the life of the convection heating element.



Cookware for convection cooking

Before using your convection oven, check to see if your cookware leaves room for air circulation in the oven. If you are baking with several pans, leave space between them. Also, be sure the pans do not touch each other or the walls of the oven.

Paper and Plastic

Heat-resistant paper and plastic containers that are recommended for use in regular ovens can be used in convection ovens. Plastic cookware that is heat-resistant to temperatures of 400°F can also be used.

NOTE: Do not allow any paper or plastic to come into contact with the upper broil element.

Metal and Glass

Any type of cookware will work in your convection oven. However, metal pans heat the fastest and are recommended for convection baking.

Darkened or matte-finished pans will bake faster than shiny pans.

Glass or ceramic pans cook more slowly.

When baking cookies, you will get the best results if you use a flat cookie sheet instead of a pan with low sides.

For recipes like oven-baked chicken, use a pan with low sides. Hot air cannot circulate well around food in a pan with high sides.

Adapting recipes

You can use your favorite recipes in the convection oven.

When convection baking, reduce baking temperature by 25°F. No temperature adjustment is necessary when convection roasting.

Use pan size recommended.

Some package instructions for frozen casseroles or main dishes have been developed using commercial convection ovens. For best results in this oven, preheat the oven and use the temperature on the package.

1-Rack convection baking

When convection baking with only 1 rack, use CONV BAKE 1 RACK and for best results place the rack on rack position B or C at the center of the oven. Cook times may decrease, so food should be checked earlier than package directions to make sure that it does not overcook.

Ideal for cooking large casseroles and lasagna with good results.

Multi-rack convection baking

Because heated air is circulated evenly throughout the oven, foods can be baked with excellent results using multiple racks.

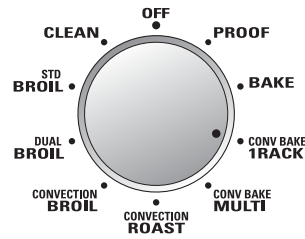
The amount of time required for multi-rack baking may increase slightly for some foods, but overall time is saved because two to three times as much food is cooked at once.

Cookies, muffins, biscuits and other quick breads give good results with multi-rack baking.

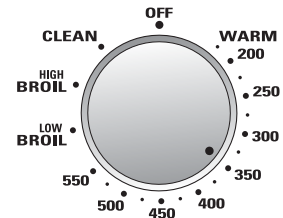
Convection Baking

Wall Oven

How to set the oven for convection baking



Oven Mode knob



Temperature knob

Convection Baking is ideal for evenly browned baked foods cooked on single or multiple racks.

When set on Convection Bake, the rear bake element and the fan operate whenever the oven is heating.

- 1 Turn the Oven Mode knob to CONV BAKE/ 1 RACK (Convection Bake 1-Rack mode) for 1-rack convection baking. This mode is used for cooking food items on only 1 rack in convection bake.

Turn the Oven Mode knob to CONV BAKE/MULTI (Convection Bake Multi mode) for multi-rack convection baking. This mode is used for cooking food items on more than one rack (i.e. 2, 3 or more racks) at the same time in Convection Bake. See the *Multi-rack convection baking* section for more information.

- 2 Using the Temperature knob, set the desired temperature, in 25°F increments, from 200°F to 550°F.

The oven and the oven interior lights will turn on immediately and stay on until the oven is turned off.

The convection fan will turn on (after a short delay), the PREHEAT light will turn on and 100°F will appear in the display. (The temperature display will start to change once the oven temperature reaches 100°F.) The control will beep when the oven is preheated—this will take approximately 10 to 15 minutes. The PREHEAT light will turn off and the display will show the set temperature.

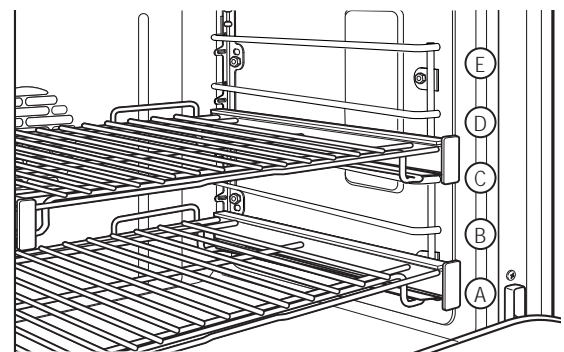
When the PREHEAT light goes off, place food in the oven.

- 3 Check the food for doneness at the minimum time on the recipe. Cook longer if necessary.
- 4 Turn the Oven Mode knob and the Temperature knob to OFF when convection cooking is finished.

NOTE: A cooling fan will turn on to cool internal parts. This is normal, and the fan may continue to run even after the oven is turned off.

Type of Food	Rack Position
Biscuits (1 rack)	B or C
Biscuits (2 racks)	A & C or B & D
Muffins and Cupcakes (1 rack)	B or C
Muffins and Cupcakes (2 racks)	A & C or B & D
Cookies (1 rack)	B or C
Cookies (3 racks)	A, C & E
2-Layer Cakes (1 rack)	B or C
4-Layer Cakes (2 racks)	A & C or B & D
1 Frozen Pie (1 rack)	B or C
2 Frozen Pies (2 racks)	A & C or B & D (on cookie sheet)
Casseroles (1 rack)	B or C
12" Frozen Pizza (1 rack)	B or C
2–12" Frozen Pizzas (2 racks)	A & C or B & D
Roasting (large cuts of meat, turkeys, etc.)	A, B or C

NOTE: These rack positions are suggestions—use racks which give best results. Racks A and D are another suggestion.

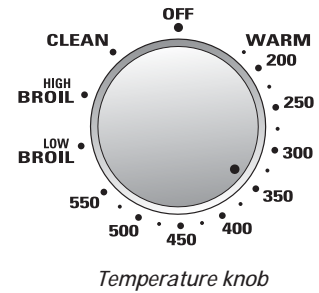
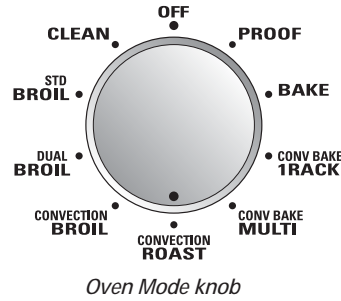


The oven has 5 rack positions. See the *Full extension oven racks* section for how to use, remove and replace the racks.

Convection Roasting

Wall Oven

How to set the oven for convection roasting



Convection Roasting is good for roasting large tender cuts of meat, uncovered.

- 1 Turn the Oven Mode knob to CONVECTION ROAST.
- 2 Using the Temperature knob, set the desired temperature, in 25°F increments, from 200°F to 550°F.

The oven and the oven interior lights will turn on immediately and stay on until and the oven is turned off.

The convection fan will turn on (after a short delay), the PREHEAT light will turn on and 100°F will appear in the display. (The temperature display will start to change once the oven temperature reaches 100°F.) The control will beep when the oven is preheated—this will take approximately 10 to 15 minutes. The PREHEAT light will turn off and the display will show the set temperature.

- 3 Check the food for doneness at the minimum time on the recipe. Cook longer if necessary.
- 4 Turn the Oven Mode knob and the Temperature knob to OFF when convection cooking is finished.

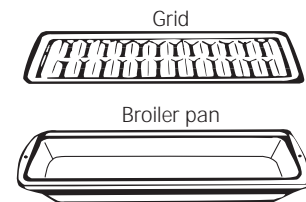
NOTE: A cooling fan will turn on to cool internal parts. This is normal, and the fan may continue to run even after the oven is turned off.

Convection roasting tips

Using the broiler pan and grid provided, heated air will be circulated over, under and around the food being roasted. The heated air seals in juices quickly for a moist and tender interior while, at the same time, creating a rich golden brown exterior.

When you are convection roasting, it is important that you use the broiler pan and grid. The pan is used to catch grease spills and the grid is used to prevent grease spatters and allow heated air to circulate under the meat and increase browning on the underside of the meat or poultry.

- Place the grid on the broiler pan.



Convection Roasting with the Probe

Wall Oven

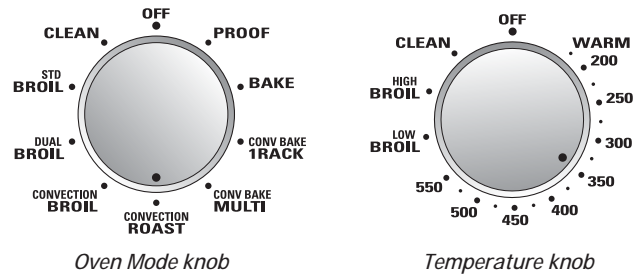
How to set the oven for convection roasting with the probe

Double oven display shown.



Push to select

Mini-Knob
Turn to select
Push to enter



Oven Mode knob

Temperature knob

See the *Convection roasting tips* section.

- 1 Place the rack in the desired rack position and insert the probe into the meat.
- 2 Plug the probe into the outlet in the oven. Make sure it is pushed all the way in. Close the oven door.

- 3 Push the **PROBE** button.

NOTE: On double wall oven models, the oven control will automatically set the oven that has the probe plugged into it.

- 4 Turn the Mini-Knob to select and push it to enter the desired internal food or meat temperature. The minimum and maximum internal temperatures for the food that you can enter are 100°F to 200°F.

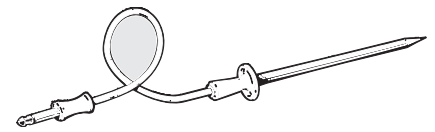
"PROBE" will flash in the display if the probe is inserted into the outlet and you have not entered a probe temperature.

- 5 Turn the Oven Mode knob to CONVECTION ROAST.

- 6 Using the Temperature knob, set the desired oven temperature, in 25°F increments, from 200°F to 550°F.

The oven and the oven interior lights will turn on immediately and stay on until the oven is turned off.

The convection fan will turn on (after a short delay), the PROBE light will turn on and 100°F will appear in the display. (The temperature display will start to change once the internal temperature of the meat reaches 100°F.)



CAUTION: To prevent possible burns, do not unplug the probe from the oven outlet until the oven has cooled. Do not store the probe in the oven.

- 7 When the internal temperature of the meat reaches the number you have set, the probe and the oven turn off, END will show in the display and the oven control will beep. (PROBE will remain lit along with the probe temperature.) To stop the reminder beep, turn the Oven Mode knob and the Temperature knob to OFF or push the Mini-Knob. Use hot pads to remove the probe from the food. Do not use tongs to pull on it—they might damage it.

"PROBE" will flash in the display until the probe is removed from the oven receptacle.

To change the set internal food or meat (probe) temperature during the Roast cycle, push the **PROBE** button, turn the Mini-Knob to select the new temperature and push to enter it.

- If the probe is removed from the food before the final temperature is reached, a tone will sound and the display will flash until the probe is removed from the oven.
- You can use the timer even though you cannot use timed oven operations.

Convection Roasting

Wall Oven

Convection roasting guide

Meats		Minutes/Lb.	Oven Temp.	Internal Temp.	
Beef	Rib, Boneless Rib, Top Sirloin (3 to 5 lbs.)	Rare	20–24	325°F	140°F†
		Medium	24–28	325°F	160°F
		Well	28–32	325°F	170°F
	Beef Tenderloin	Rare	10–14	325°F	140°F†
		Medium	14–18	325°F	160°F
Pork	Bone-in, Boneless (3 to 5 lbs.)		23–27	325°F	170°F
	Chops (1/2 to 1" thick)	2 chops	30–35 total	325°F	170°F
		4 chops	35–40 total	325°F	170°F
		6 chops	40–45 total	325°F	170°F
Ham	Canned, Butt, Shank (3 to 5 lbs.) (fully cooked)	14–18	325°F	140°F	
Lamb	Bone-in, Boneless (3 to 5 lbs.)	Medium	17–20	325°F	160°F
		Well	20–24	325°F	170°F
Seafood	Fish, whole (3 to 5 lbs.)		30–40 total	400°F	
	Lobster Tails (6 to 8 oz. each)		20–25 total	350°F	
Poultry	Whole Chicken (2½ to 3½ lbs.)		24–26	350°F	180°–185°F
	Cornish Hens Unstuffed (1 to 1½ lbs.) Stuffed (1 to 1½ lbs.)		50–55 total	350°F	180°–185°F
			55–60 total	350°F	180°–185°F
	Duckling (4 to 5 lbs.)		24–26	325°F	180°–185°F
	Turkey, whole*	Unstuffed (10 to 16 lbs.)	8–11	325°F	180°–185°F
Unstuffed (18 to 24 lbs.)		7–10	325°F	180°–185°F	
	Turkey Breast (4 to 6 lbs.)		16–19	325°F	170°F

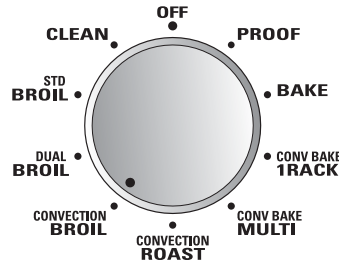
* Stuffed birds generally require 30–45 minutes additional roasting time. Shield legs and breast with foil to prevent over-browning and drying of skin.

† The U.S. Department of Agriculture says "Rare beef is popular, but you should know that cooking it to only 140°F means some food poisoning organisms may survive." (Source: *Safe Food Book. Your Kitchen Guide.* USDA Rev. June 1985.)

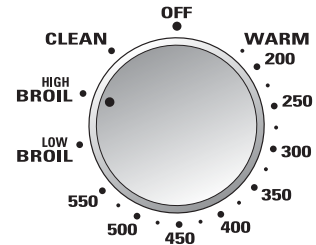
Convection Broiling

Wall Oven

How to set the oven for convection broiling



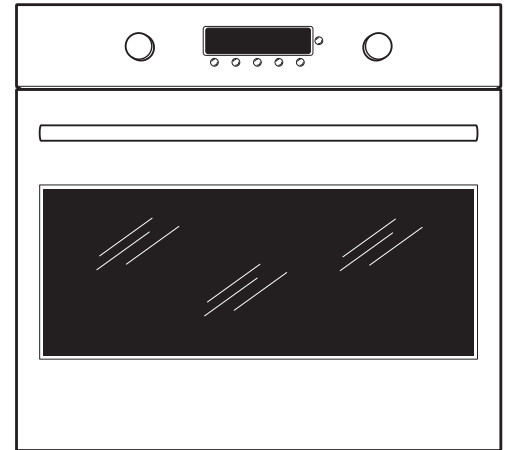
Oven Mode knob



Temperature knob

Convection Broil is good for broiling fish or smaller cuts of meat. When set at Convection Broil, both top elements operate whenever heating.

- 1 If the meat has fat or gristle around the edge, cut vertical slashes through both about 2" apart. If desired, the fat may be trimmed, leaving a layer about 1/8" thick.
- 2 Place the meat or fish on the broiler pan and grid. Always use the grid so that any fat will drip into the broiler pan; otherwise the juices may become hot enough to catch on fire.
- 3 Position rack in oven.
- 4 Close the door. **Always broil with the door closed.**
- 5 Turn the Oven Mode knob to CONVECTION BROIL.
- 6 Turn the Temperature knob to LOW BROIL or HIGH Broil. The broiling temperature will be automatically set. LO or HI will appear in the display depending on the automatic broil temperature selected.
The oven and the oven interior lights will turn on immediately and stay on until the oven is turned off.
The convection fan will turn on (after a short delay).
- 7 When broiling is finished, turn the Oven Mode knob and the Temperature knob to OFF.



Close the door. **Always broil with the door closed.**

NOTE: A cooling fan will turn on to cool internal parts. This is normal, and the fan may continue to run even after the oven is turned off.

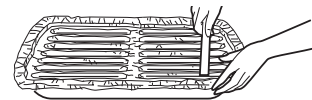
The broiler does not need to be preheated for most broiling. However, foods that cook quickly, such as thin strips of meat or fish, may require a short preheating period of 2 to 3 minutes to allow the food surface to brown in the same time the food takes to be cooked throughout.

Turn the food only once during broiling.

NOTE: Convection broil will not work if the temperature probe is plugged in. Never leave your probe inside the oven during a broil cycle.

Aluminum foil

You can use aluminum foil to line the broiler pan and broiler grid. However, you must mold the foil tightly to the grid and cut slits in it just like the grid.

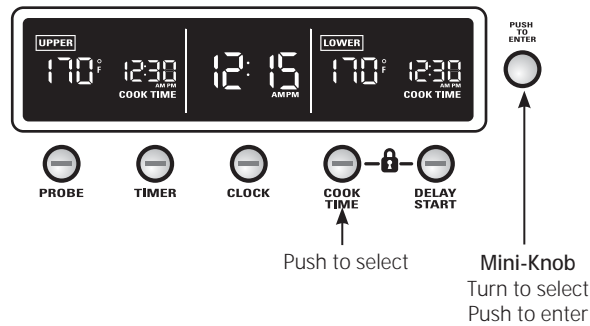


Timed Cooking

Wall Oven

Timed cooking (immediate start and automatic stop)

Double oven display shown.



Timed cooking allows you to set the oven to turn on immediately, cook for a selected length of time and turn off automatically.

To set the oven to turn on immediately and turn off automatically:

NOTE: Before beginning, make sure the clock shows the correct time of day.

To avoid possible burns, place the racks in the correct position before turning on the oven.

- 1 Turn the Oven Mode knob to the desired cooking function.

NOTE: Timed cooking cannot be set for the Broil or Proof features.

- 2 Using the Temperature knob, set the desired temperature, in 25°F increments, from 200°F to 550°F.

The oven and the oven interior lights will turn on immediately and stay on until the oven turns off.

The convection fan will turn on (after a short delay), the PREHEAT light will turn on and 100°F will appear in the display. (The temperature display will start to change once the oven temperature reaches 100°F.) The control will beep when the oven is preheated—this will take approximately 10 to 15 minutes. The PREHEAT light will turn off and the display will show the set temperature.

When the PREHEAT light goes off, place food in the oven.

- 3 Push the **COOK TIME** button.

NOTE: If your recipe requires preheating, you may need to add additional time to the length of cooking time (approximately 10 to 15 minutes).

- 4 Turn the Mini-Knob to select and push it to enter the desired length of cooking time. (The maximum cooking time is 9 hours and 59 minutes. The minimum cooking time is 1 minute.)

The display will show COOK TIME and the cooking time countdown.

NOTE: The cook time countdown will start immediately.

The oven will continue to cook for the programmed amount of time, then turn off automatically.

To recall the cook time, push the **COOK TIME** button. To change it, turn and push the Mini-Knob.

- 5 At the end of timed cooking, the oven will turn off, 0:00 will flash quickly, END will show in the display and the oven control will beep. To stop the reminder beep, turn the Oven Mode knob and the Temperature knob to OFF.

NOTE:

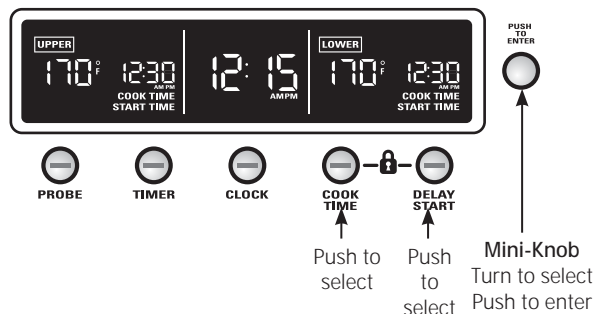
- The WARM (175° shows in the display) temperature setting of this oven is available to keep hot cooked foods warm. Food kept in the oven longer than two hours at these low temperatures may not be safe to eat.
- Foods that spoil easily, such as milk, eggs, fish, stuffings, poultry and pork, should not be allowed to sit for more than one hour before or after cooking. Room temperature promotes the growth of harmful bacteria.

Timed Cooking

Wall Oven

Timed cooking (delayed start and automatic stop)

Double oven display shown.



Timed cooking with DELAY START allows you to set the oven to turn on at the time of day you set, cook for a selected length of time and turn off automatically. DELAY START cannot be used with the Sabbath feature.

To delay the start of cooking:

NOTE: Before beginning, make sure the clock shows the correct time of day.

To avoid possible burns, place the racks in the correct position before turning on the oven.

NOTE: Timed cooking cannot be set for the Broil or Proof features.

- 1 Push the **DELAY START** button. The current time of day will flash in the display.

*On double oven models, push the **DELAY START** button once to set the upper oven and twice to set the lower oven.*

- 2 Turn the Mini-Knob to select and push it to enter the time of day you want the oven to turn on and start cooking.
- 3 Push the **COOK TIME** button.

NOTE: If your recipe requires preheating, you may need to add additional time to the length of cooking time (approximately 10 to 15 minutes).

- 4 Turn the Mini-Knob to select and push it to enter the desired length of cooking time. (The maximum cooking time is 9 hours and 59 minutes. The minimum cooking time is 1 minute.)
- 5 Turn the Oven Mode knob to the desired cooking function.
- 6 Using the Temperature knob, set the desired temperature, in 25°F increments, from 200°F to 550°F.

To recall the start time, push the **DELAY START** button. To change it, turn and push the Mini-Knob.

To recall the cook time, push the **COOK TIME** button. To change it, turn and push the Mini-Knob.

The display will return to the time of day and show **START TIME** indicating the oven is set. When the start time is reached the oven and the oven interior lights will turn on.

NOTE: The cook time countdown will start when the delay start time is reached. The display will show **COOK TIME** and the cooking time countdown.

The oven will continue to cook for the programmed amount of time, then turn off automatically.

- 7 At the end of timed cooking, the oven will turn off, 0:00 will flash quickly, **END** will show in the display and the oven control will beep. To stop the reminder beep, turn the Oven Mode knob and the Temperature knob to OFF.

*On double oven models, you can use timed baking in both ovens at the same time. Turn the Oven Mode knob and the Temperature knob of the second oven to the desired settings. Push the **COOK TIME** button and turn and push the Mini-Knob to enter. Push the **DELAY START** button and turn and push the Mini-Knob to enter.*

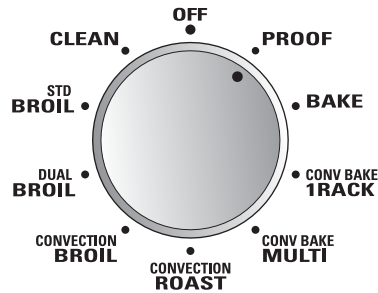
NOTE:

- The WARM (175° shows in the display) temperature setting of this oven is available to keep hot cooked foods warm. Food kept in the oven longer than two hours at these low temperatures may not be safe to eat.
- Foods that spoil easily, such as milk, eggs, fish, stuffings, poultry and pork, should not be allowed to sit for more than one hour before or after cooking. Room temperature promotes the growth of harmful bacteria.

Proofing

Wall Oven

How to set the oven for proofing



Oven Mode knob

The proofing feature maintains a warm environment useful for rising yeast-leavened products.

Place the covered dough in a dish in the oven on rack A.

- 1 Turn the Oven Mode knob to PROOF. The display will show PrF (proof). Proofing will not operate when oven is above 125°F. The display will show “too hot”. Allow the oven time to cool.

NOTE: For best results, cover the dough with a cloth or with greased plastic wrap (the plastic may need to be anchored underneath the front of the container so the oven fan will not blow it off).

The proofing feature automatically provides the optimum temperature for the proofing process; therefore the Temperature knob does not affect the proof temperature.

The oven interior lights cycle on and off until the Oven Mode knob has been turned to OFF.

- 2 Set the TIMER for the minimum proof time, as a reminder to check food.
 - 3 When proofing is finished, turn the Oven Mode knob to OFF.
- To avoid lowering the oven temperature and lengthening proofing time, do not open the oven door unnecessarily.
 - Check bread products early to avoid over-proofing.

NOTE: Do not use the proofing mode for warming food or keeping food hot. The proofing oven temperature is not hot enough to hold foods at safe temperatures.

The WARM temperature setting of this oven is available to keep hot cooked foods warm. Food kept in the oven longer than two hours at these low temperatures may not be safe to eat.

Self-Cleaning Oven

Wall Oven

Before a clean cycle

The oven door must be closed and all controls must be set correctly for the self-clean cycle to work properly.

We recommend venting your kitchen with an open window or using a ventilation fan or hood during the first self-clean cycle.

- Clean soil from the frame around the oven door and outside the door gasket. These areas must be cleaned by hand.
- Do not clean the door gasket by hand as this could damage it.
- Wipe up excess grease and other food spills with a damp cloth. This will minimize the amount of smoke created during self-cleaning.
- Remove all cookware, broiler pan, grid, probe and any aluminum foil from the oven.
- The oven racks may be left in the oven during the self-clean cycle.
- Make sure the oven light lens and lens frame are in place.
- Do not use commercial oven cleaners,

abrasives or oven protectors in or near the self-cleaning oven.

IMPORTANT: The health of some birds is extremely sensitive to the fumes given off during the self-cleaning cycle of any oven. Move birds to another well-ventilated room.

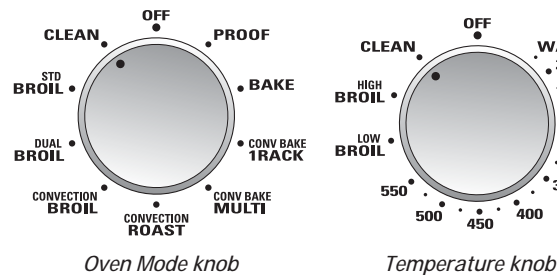
NOTE: Self-Clean will not work if the temperature probe is plugged in or if the Sabbath feature is set.

CAUTION: Never place cooking utensils or any other items on the oven floor. There is a heating element beneath the oven floor. Placing items on the oven floor may cause the oven to overheat, resulting in damage to the oven and risk of damage or fire to cabinets.

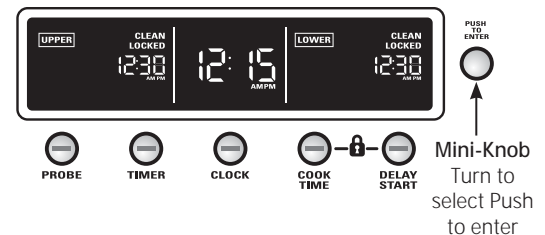
On double oven models, you can set a clean cycle in both ovens at the same time. The last oven set will automatically delay its start until the end of the first oven's clean cycle.

On double oven models, you can use timed baking in one oven and self-clean in the other at the same time.

How to set the oven for cleaning



Double oven display shown.



- 1 Turn the Oven Mode knob to CLEAN.
- 2 Turn the Temperature knob to CLEAN.

The oven is set to clean for its normal clean time of 5 hours. (If a clean time less than 5 hours is needed, turn the Mini-Knob to the clean time desired.) Push to enter it.

You can change the clean time to any time between 3 and 5 hours, in 15 minute increments, depending on the amount of soil in your oven.

NOTE: The Mini-Knob must be pushed for the self-clean cycle to start.

If your oven is connected to a 208V electrical supply, we recommend that you set your clean time for 5 hours.

If LOCKED flashes in the display, the self-clean cycle has been selected but the door is not closed. Close the oven door.

The display will show CLEAN and the clean time remaining.

As the oven heats to the clean temperature, the door will lock automatically. The LOCKED light will turn on. The display will show the clean time remaining. It will not be possible to open the oven door until the temperature drops below the lock temperature and the LOCKED light goes off.

- 3 After the clean cycle is complete and the oven has cooled, END will show in the display and the LOCKED light will turn off. Turn the Oven Mode knob and the Temperature knob to OFF.

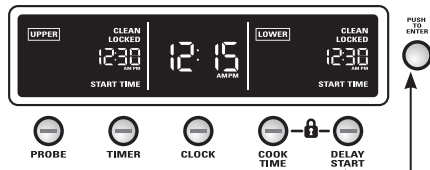
To stop a clean cycle, turn the Oven Mode knob and the Temperature knob to OFF. When the LOCKED light goes off, indicating the oven has cooled below the locking temperature, you will be able to open the door.

Self-Cleaning Oven

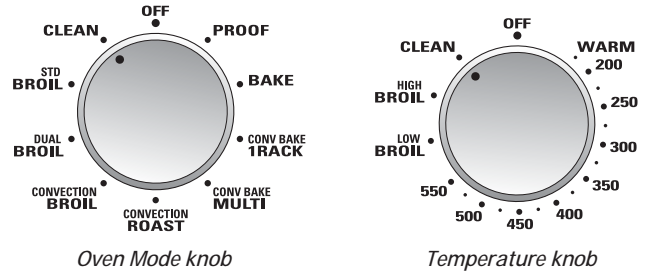
Wall Oven

How to delay the start of cleaning

Double oven display shown.



Push to select
Mini-Knob
Turn to select
Push to enter



You can set the oven to delay the start of cleaning, clean for a selected length of time and turn off automatically.

NOTE: Before beginning, make sure the clock shows the correct time of day.

- 1 Turn the Oven Mode knob to CLEAN.
- 2 Turn the Oven Temperature knob to CLEAN.

The oven will be set to clean for its normal clean time of 5 hours. (If a clean time less than 5 hours is needed, turn the Mini-Knob to the clean start time desired.) Push to enter it.

You can change the clean time to any time between 3 and 5 hours, in 15 minute increments, depending on the amount of soil in your oven.

NOTE: The Mini-Knob must be pushed for the self-clean cycle to be set.

- 3 Push the **DELAY START** button. The current time of day will flash in the display.

*On double oven models, push the **DELAY START** button once to set the upper oven and twice to set the lower oven.*

- 4 Turn the Mini-Knob to select and push it to enter the time of day you want the oven to turn on and start cleaning.

NOTE: The Mini-Knob must be pushed for the self-clean cycle to be set to start at the time of day entered.

The oven is now set to turn on at the time of day you set and clean for the set amount of clean time.

If your oven is connected to a 208V electrical supply, we recommend that you set your clean time for 5 hours.

If LOCKED flashes in the display, the self-clean cycle has been selected but the door is not closed. Close the oven door.

To check the start time, push the DELAY START button. To change it, turn and push the Mini-Knob.

The display will show START TIME. When the start time is reached, the oven will turn on automatically.

The display will show CLEAN and the clean time remaining.

As the oven heats to the clean temperature, the door will lock automatically. The LOCKED light will turn on.

The display will show the clean time remaining. It will not be possible to open the oven door until the temperature drops below the lock temperature and the LOCKED light goes off.

- 5 After the clean cycle is complete and the oven has cooled, END will show in the display and the LOCKED light will turn off. Turn the Mode Selector and the Temperature knobs to OFF.

To stop a clean cycle, turn the Mode Selector and the Temperature knobs to OFF. When the LOCKED light goes off, indicating the oven has cooled below the locking temperature, you will be able to open the door.

NOTE: On double oven models, you can set a delay clean in both ovens at the same time. Turn the Oven Mode knob and the Temperature knob of the second oven to CLEAN. The second oven set will automatically delay the start of cleaning until the end of the first oven's clean cycle.

After a clean cycle

You may notice some white ash in the oven. Wipe it up with a damp cloth after the oven cools.

If white spots remain, remove them with warm sudsy water and rinse thoroughly with a vinegar and water mixture. These deposits are usually a salt residue that cannot be removed by the clean cycle.

If the oven is not clean after one clean cycle, repeat the cycle.

You cannot set the oven for cooking until the oven is cool enough for the door to unlock.

Clock and Control Lockout Features

Wall Oven

Power failure

If a flashing time of day is in the display, you have experienced a power failure. Reset the clock.

Clock

The clock must be set for the automatic oven timing functions to work properly.

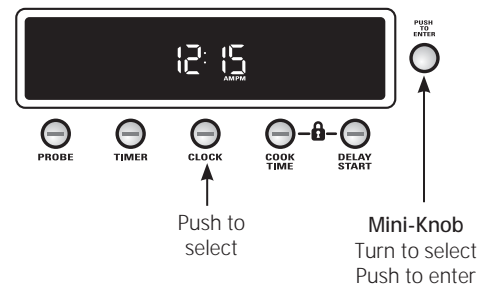
The time of day clock **cannot** be changed during Delay Start. (It can be changed during a regular bake or broil operation.)

To set the clock

- 1 Push the **CLOCK** button.
- 2 Turn the Mini-Knob to select the time of day and push it to enter.

NOTE: While setting, the time will roll around from AM to PM.

Double oven display shown.



Control lockout

Allows you to lock out all controls so that the Oven Mode knob, Temperature knob and the control panel buttons cannot be activated when set.

NOTE: On double oven models, this activates this feature for both ovens.

To lock/unlock the controls:

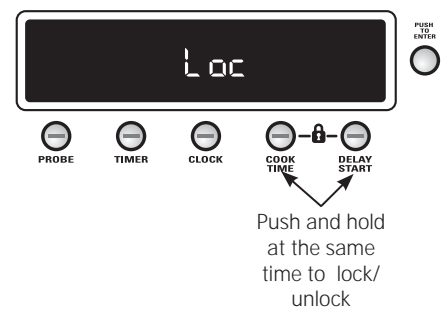
- 1 Push and hold the **COOK TIME** and **DELAY START** buttons at the same time for 3 seconds until the control beeps and the display shows "Loc." After locking the controls, the time of day will appear in the display.
- 2 To unlock, push and hold the **COOK TIME** and **DELAY START** buttons at the same time. ("Loc" will appear in the display). Hold for 3 seconds until the control beeps and "Loc" disappears from the display.

When this feature is on and the controls are attempted to be set, the display will show "Loc."

NOTES:

- If locked while a cooking, cleaning or timed function are in operation, they will be cancelled.
- The adjustment will be retained in memory after a power failure.

Double oven display shown.



Timer Feature

Wall Oven

Timer

NOTE: The timer is independent of all the other functions and it does not control the oven.

You may program the timer to time cooking or other household activities for up to 11 hours and 59 minutes.

To set the timer:

- 1 Push the **TIMER** button.
- 2 Turn the Mini-Knob to select the length of time for the timer up to 11 hours and 59 minutes and push to enter it.

*On double oven models, a second timer may be set by pressing the **TIMER** button twice.*

The timer display will show hours and minutes counting down 1 minute at a time from 24 hours to 1 hour. It will then change to show minutes and seconds counting down until the last minute is reached. The control will beep and the display will show seconds until the timer counts down to :00.

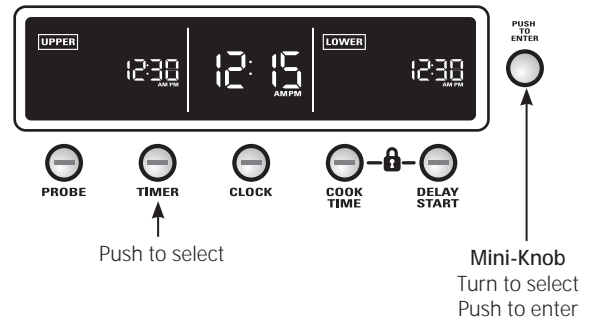
When the timer reaches :00, the control will beep 3 times followed by one beep every 6 seconds until the **TIMER** button is pushed.

The 6-second tone can be cancelled by following the steps in *Tones at the end of a timed cycle* in the *Special Features* section.

To cancel the timer:

- 1 Push the **TIMER** button.
- 2 Turn the Mini-Knob to :00 and push to enter.

Double oven display shown.



Special Features

Wall Oven

Special features of your oven control

Your oven has additional Special Features that you may choose to use.

They remain in the control's memory until the steps are repeated. The Special Features will remain in memory after a power failure.

Either the Oven Mode knob and/or the Temperature knob must be turned to OFF.

On double oven models, either the Oven Mode knob

or the Temperature knob will have to be turned to OFF for each oven.

NOTE: While in the Special Features mode, if the Mini-Knob is not pushed to enter a choice after 60 seconds, the mode will be cancelled (without changes) and the time of day will return to the display.

The following are the features and how you may activate them.

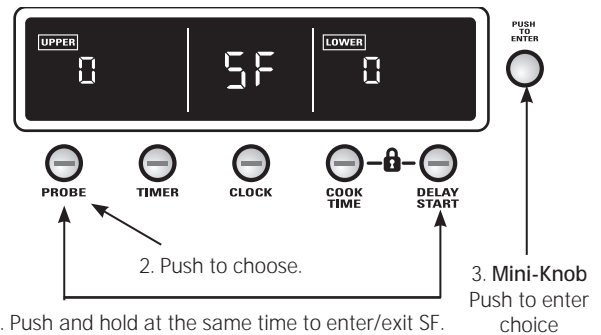
Oven thermostat adjustment

You may find that your new oven cooks differently than the one it replaced. Use your new oven for a few weeks to become more familiar with it. If you still think your new oven is too hot or too cold, you can adjust the thermostat yourself.

To adjust the oven thermostat:

- 1 Push and hold the **PROBE** and **DELAY START** buttons at the same time for 4 seconds until the display shows SF (Special Features).
- 2 Push the **PROBE** button. A "0" will show in the display.
*On double wall oven models, a "0" will show in both the upper and lower oven displays. Push the **PROBE** button a 2nd time ("UPPER" will show in the display) to set the upper oven, and push **PROBE** a 3rd time ("LOWER" will show in the display) to set the lower oven.*
- 3 Turn the Mini-Knob to adjust the oven thermostat up to 35°F hotter or (-) 35°F cooler in 1°F increments.
- 4 Push the Mini-Knob to enter your choice.

Double oven display shown.



- 5 Push and hold the Mini-Knob for 5 seconds to exit SF (Special Features) and return to the time of day clock.

Do not use thermometers, such as those found in grocery stores, to check the temperature setting of your oven. These thermometers may vary 20–40 degrees.

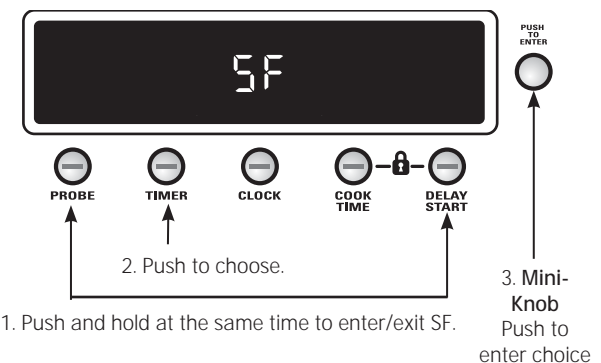
NOTE: This adjustment will only affect baking temperatures; it does not affect broiling or self-cleaning temperatures. The adjustment will be retained in memory after a power failure.

Tones at the end of a timed cycle

At the end of a timed cycle, 3 short beeps will sound followed by one beep every 6 seconds until the **TIMER** button is pushed. This continuous 6-second beep may be cancelled. To cancel the 6-second beep:

- 1 Push and hold the **PROBE** and **DELAY START** buttons at the same time for 4 seconds until the display shows SF (Special Features).
- 2 Push the **TIMER** button to choose between:
con SF bEEP – Continuous Beeps – Reminder beeps will sound after a timed cycle has ended until the **TIMER** button is pushed.
SF bEEP – No beeps – The reminder beeps after a timed cycle is cancelled.
- 3 Push the Mini-Knob to enter your choice.
- 4 Push and hold the Mini-Knob for 5 seconds to exit SF (Special Features) and return to the time of day clock.

Double oven display shown.



NOTE: On double oven models, this cancels the end-of-cycle tone for both ovens.

Special Features

Wall Oven

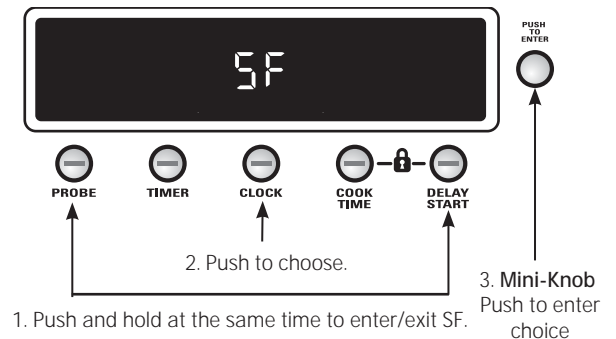
12-hour, 24-hour or clock blackout

Your control is set to use a 12-hour clock. If you would prefer to have a 24-hour military time clock or black out the clock display, follow the steps below.

- 1 Push and hold the **PROBE** and **DELAY START** buttons at the same time for 4 seconds until the display shows SF (Special Features).
- 2 Push the **CLOCK** button to choose between:
 - 12 hr – 12 hour clock with AM and PM.
 - 24 hr – 24 hour clock – military time.
 - OFF – blacks out the clock from the display.
- 3 Push the Mini-Knob to enter your choice.
- 4 Push and hold the Mini-Knob for 5 seconds to exit SF (Special Features).

NOTE: If the clock is in the black-out mode, you will not be able to use the Delay Start function.

Double oven display shown.



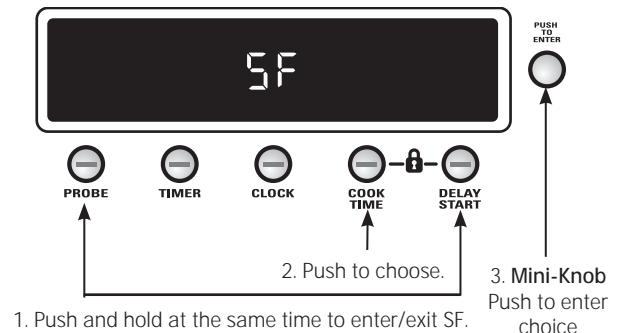
Tone volume

This feature allows you to adjust the tone volumes to a more acceptable volume. There are three possible volume levels.

- 1 Push and hold the **PROBE** and **DELAY START** buttons at the same time for 4 seconds until the display shows SF (Special Features).
- 2 Push the **COOK TIME** button to choose between:
 - 1 SF bEEP – Quietest Beep Volume.
 - 2 SF bEEP – Middle Beep Volume.
 - 3 SF bEEP – Loudest Beep Volume.
- 3 Push the Mini-Knob to enter your choice.
- 4 Push and hold the Mini-Knob for 5 seconds to exit SF (Special Features) and return to the time of day clock.

NOTE: On double oven models, this activates this special feature for both ovens.

Double oven display shown.



Special Features

Wall Oven

Sabbath Feature, 12-hour shut-off or no shut-off

With this feature, should you forget and leave the oven on, the control will automatically turn off the oven after 12 hours during baking functions. If you wish to turn off this feature, follow the steps below.

- 1 Push and hold the **PROBE** and **DELAY START** buttons at the same time for 4 seconds until the display shows SF (Special Features).
- 2 Push the **DELAY START** button to choose between:
 - 12 SF Shdn** – The oven will automatically turn off after 12 hours.
 - no SF Shdn** – The oven will not automatically turn off after 12 hours.

SAbbAth – Designed for use on the Jewish Sabbath and Holidays.

The Sabbath feature can be used for baking/roasting only. It cannot be used for convection, broiling, self-cleaning or Delay Start cooking.

When the Sabbath Feature is set, the oven light and all audible beeps will be disabled and \Rightarrow will appear in the display. The feature will also provide a random delay period, of approximately 30 seconds to 1 minute, before the oven will turn on once it is set to BAKE. \Rightarrow will appear in the display, indicating that the oven is baking/roasting.

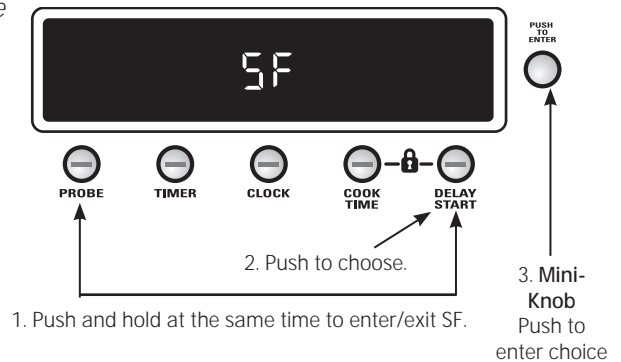
The Timed cooking feature may be used in Sabbath Mode. To use the Timed cooking feature, set the Cook Time and the temperature before entering the Special Features mode and selecting SAbbAth.

The Delay start feature cannot be used in Sabbath mode.

- 3 Push the Mini-Knob to enter your choice.
- 4 Push and hold the Mini-Knob for 5 seconds to exit SF (Special Features) and return to the time of day clock.

NOTE: On double oven models, this activates this special feature in both ovens.

Double oven display shown.



Care and Cleaning

Wall Oven

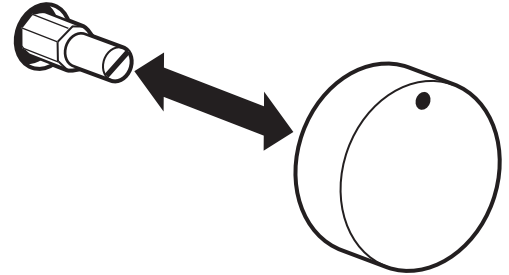
BE SURE ELECTRICAL POWER IS OFF AND ALL SURFACES ARE COOL BEFORE CLEANING ANY PART OF THE OVEN.

Control panel and knobs

Clean up spatters with a damp cloth. Remove heavier soil with warm, soapy water.

Do not use abrasives of any kind on the control panel or knobs.

The control knobs may be removed for easier cleaning. To remove a knob, pull it straight off the stem. Wash the knobs in soap and water but do not soak.



NOTE: The Mini-Knob is not removable.

Oven heating elements

Do not clean the broil element. Any soil will burn off when the element is heated.

The bake element is not exposed and is under the oven floor. If spillovers, residue or ash accumulate on the oven floor, wipe up before self-cleaning.

Broiler pan and grid

After broiling, remove the broiler pan and grid from the oven. Remove the grid from the pan. Carefully pour out the grease from the pan into a proper container. Wash and rinse the broiler pan and grid in hot water with a soap-filled or plastic scouring pad.

If food has burned on, sprinkle the grid with detergent while hot and cover with wet paper towels or a dishcloth. Soaking the pan will remove burned-on foods.

The broiler pan and grid may be cleaned with a commercial oven cleaner.

The broiler pan and grid can also be cleaned in the dishwasher.

Do not store a soiled broiler pan or grid anywhere in the oven.

⚠ CAUTION: Do not clean the broiler pan or grid in a self-cleaning oven.

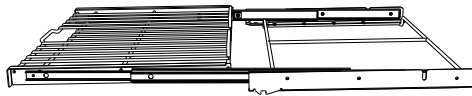


Oven racks

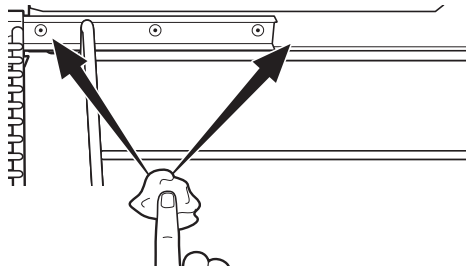
The racks may remain in the oven during the self-cleaning cycle without being damaged.

Periodically, after several self-clean cycles, the oven racks may need to be lubricated using the Graphite Lubrication shipped with your wall oven. To order additional Graphite Lubrication, call our National Parts Center **800.626.2002** and reference **WB02T10303**.

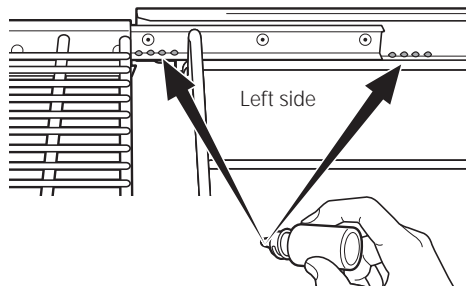
- 1 Remove rack from the oven. See the *Full extension oven racks* section.
- 2 Fully extend the rack on a table or countertop. Newspaper may be placed underneath the rack for easy clean up.



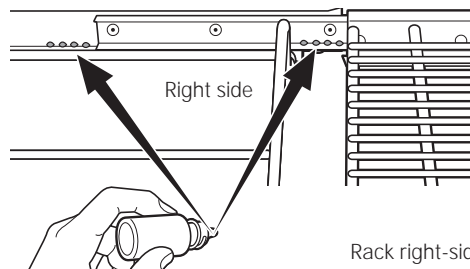
- 3 If there is debris in the slide tracks, wipe it away using a paper towel. **NOTE:** Any graphite lubricant wiped away must be replaced.



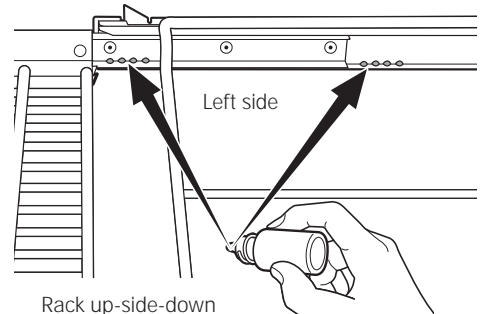
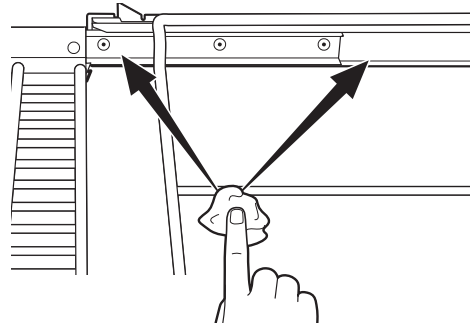
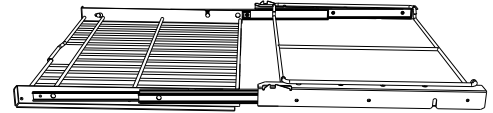
- 4 Shake the graphite lubricant before opening it. Starting with left slide mechanism of the rack, place four (4) small drops of lubricant on the two (2) bottom tracks of the slide close to the bearing carriers.



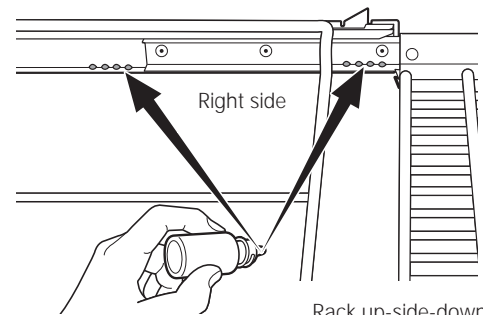
- 5 Repeat for the right slide mechanism of the rack.



- 6 Open and close the rack several times to distribute the lubricant.
- 7 Replace the cap on the lubricant and shake it again. Turn the rack over and repeat steps 3, 4, 5 and 6.



Rack up-side-down



Rack up-side-down

- 8 Close the rack, turn rack right-side-up and place in the oven. See the *Full extension oven racks* section.
- 9 Repeat above steps for each rack.

NOTE: Do not spray with Pam® or other lubricant sprays.

Lift-off oven door—removal

The door is very heavy. Be careful when removing and lifting the door.

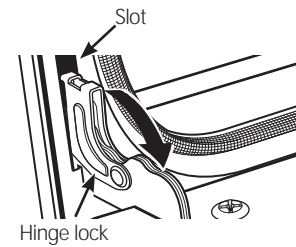
Do not lift the door by the handle.

To remove the door:

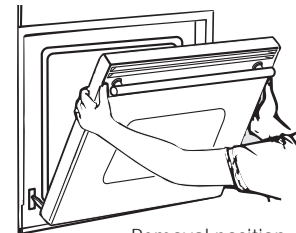
- 1 Fully open the door.
- 2 Pull the hinge locks down toward the door frame, to the unlocked position. A tool, such as a small flat-blade screwdriver, may be required.
- 3 Firmly grasp both sides of the door *at the top*.
- 4 Close door to the door removal position, which is most of the way and lift it up and out until the hinge arm is clear of the slot.

To replace the door:

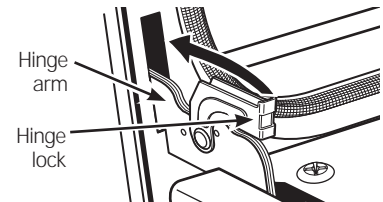
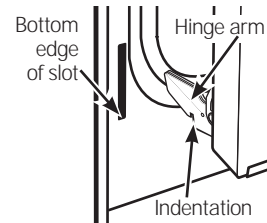
- 1 Firmly grasp both sides of the door *at the top*.
- 2 With the door at the same angle as the removal position, seat the indentation of the hinge arm into the bottom edge of the hinge slot. The notch in the hinge arm must be fully seated into the bottom of the slot.
- 3 Fully open the door. If the door will not fully open, the indentation is not seated correctly in the bottom edge of the slot.
- 4 Push the hinge locks up against the front frame of the oven cavity, to the locked position.
- 5 Close the oven door.



Pull hinge locks down to unlock



Removal position



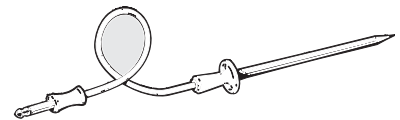
Push hinge locks up to lock

Probe

The temperature probe may be cleaned with soap and water or a soap-filled scouring pad. Cool the temperature probe before cleaning. Scour stubborn spots with a soap-filled scouring pad, rinse and dry.

Do not immerse the temperature probe in water.

Do not store the temperature probe in the oven.



Oven lights

Each oven is equipped with two halogen light assemblies located on the side walls of the oven. The lights come on when the door is opened or when the oven is in a cooking cycle. The oven lights do not come on during self-cleaning or if the Sabbath Feature is set.

Each light assembly consists of a removable light cover with two locking clips, a light compartment with three light bulb sockets and three halogen light bulbs.

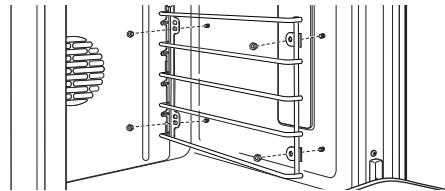
CAUTION: Before replacing the bulb, disconnect electrical power to the oven at the main fuse or circuit breaker panel.

Be sure to let the light cover and bulb cool completely.

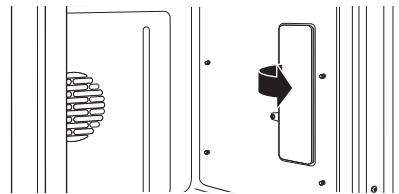
For your safety, do not touch a hot bulb with bare hands or a damp cloth.

To remove:

- 1 Remove the racks from the oven. See the *Full extension oven racks* section.
- 2 Using an adjustable wrench, remove the four nuts holding the rack support over the light assembly.

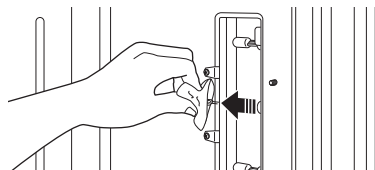


- 3 Remove the glass light cover by pulling its back edge out and rolling it toward you. Do not remove any screws.



NOTE: The two locking clips may fall from the glass light cover. Upon replacement, they will need to be placed in the correct position on the light cover and pressed back into the light compartment until seated.

- 4 Using gloves or a dry cloth, remove the burned-out light bulb by pulling it straight out.



To replace:

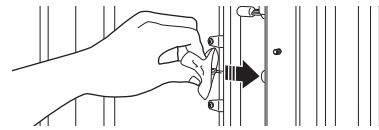
Use a new 120-volt Halogen bulb, with G8 pins, not to exceed 25 watts.

Replacement bulbs may be purchased by calling 800.626.2002. Order Part Number WB25T10064.

NOTE: Higher wattage bulbs will damage your oven.

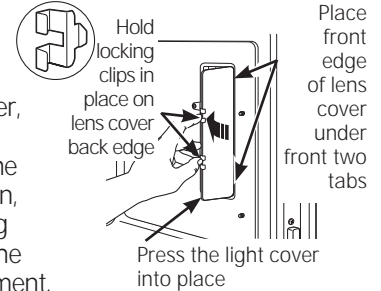
Using gloves or a dry cloth, remove the bulb from its packaging. **Do not touch the bulb with bare fingers.** Oil from bare fingers may cause hot spots on the glass surface and lead to premature failure of the bulb. If you do touch the glass, clean it with alcohol prior to installation.

- 1 Push the bulb straight into the receptacle all the way.



- 2 Replace the light cover, by placing its front edge under the front two tabs in the light compartment. Roll the back edge into place, making sure that it is firmly seated.

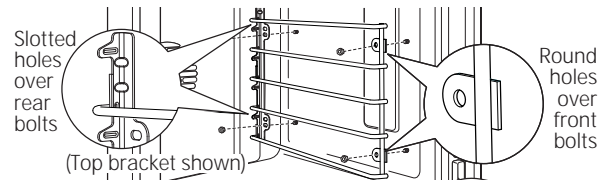
NOTE: If the locking clips fell from the glass lens cover, hold them on the cover, in the correct position, while replacing the cover on the light compartment.



The light cover must be in place when using the oven.

For improved lighting inside the oven, clean the glass cover frequently using a wet cloth. This should be done when the oven is off, disconnected from the power supply, and completely cool.

- 3 Replace the rack support with the slotted holes over the rear bolts and the round holes over the front bolts. Lightly secure with the four nuts removed earlier, but do not over-tighten or the enamel could be chipped.



- 4 Replace the racks. See the *Full extension oven racks* section.
- 5 Reconnect electrical power to the oven.

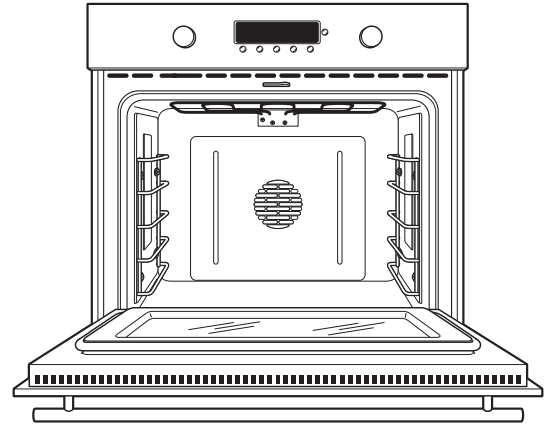
To clean the door

Inside of the door:

- Because the area inside the gasket is cleaned during the self-clean cycle, you do not need to clean this by hand. Any soap left on the liner causes additional stains when the oven is heated, so be sure to rinse thoroughly.
- The area outside the gasket can be cleaned with a soap-filled scouring pad.
- **Do not rub or clean the door gasket**—the fiberglass material of the gasket has an extremely low resistance to abrasion. An intact and well-fitting oven door gasket is essential for energy-efficient oven operation and good baking results. If you notice the gasket becoming worn, frayed or damaged in any way or if it has become displaced on the oven, you should have it replaced.

Outside of the door:

- Depending on your model, see the *Stainless steel surfaces* section or the *Painted surfaces* section.



Stainless steel surfaces (on some models)

Do not use a steel-wool pad; it will scratch the surface.

To clean the stainless steel surface, use warm sudsy water or a stainless steel cleaner or polish. Always wipe the surface in the direction of the grain. Follow the cleaner instructions for cleaning the stainless steel surface.

To inquire about purchasing stainless steel appliance cleaner or polish, or to find the location of a dealer nearest you, please call our toll-free number, 800.626.2002 or visit monogram.com.

Painted surfaces (on some models)

Painted surfaces include the door, top of the control panel and the drawer front. Clean these with soap and water or a vinegar and water solution.

Do not use commercial oven cleaners, cleaning powders, steel wool or harsh abrasives on any painted surface.

The Problem Solver

Wall Oven

Save time & money!

Review the troubleshooting tips on the following pages first and you may not need to call for service.

PROBLEM	POSSIBLE CAUSE
OVEN WILL NOT WORK	<ul style="list-style-type: none"> • A fuse in your home may be blown or the circuit breaker tripped. • The oven controls are not properly set. • The oven controls are set for cleaning. If necessary, allow the oven to cool; then open the door. • Make sure the Oven Mode knob is set to BAKE and the Temperature knob is set to a temperature.
OVEN LIGHT(S) DO NOT WORK	<ul style="list-style-type: none"> • The light bulb is defective. Replace the bulb. • The oven is self-cleaning or the Sabbath feature is set. The oven lights do not come on during self-cleaning or if the Sabbath feature is set.
FOOD DOES NOT BAKE OR ROAST PROPERLY	<ul style="list-style-type: none"> • The oven controls are improperly set. See the <i>Baking or Roasting</i> section. • Oven not preheated for a long enough time (use approximately 10 to 15 minutes). • Incorrect cookware or cookware of improper size being used. See the <i>Pan placement</i> section. • Racks in the wrong position. See the <i>Baking or Roasting</i> section. • Use a foil tent to slow down browning during roasting. • Oven thermostat needs adjustment. See the <i>Oven thermostat adjustment</i> section.
FOOD DOES NOT BROIL PROPERLY	<ul style="list-style-type: none"> • This model is designed for closed door broiling only. Close the door. Always broil with the door closed. • The oven controls are not set at BROIL. See the <i>Broiling</i> section. • The probe is plugged into the outlet in the oven. Remove the probe from the oven. • Improper rack position being used. • Food is being cooked in a hot pan. Use the broiling pan and grid that came with your oven. • Cookware is not suited for broiling. Use the broiling pan and grid that came with your oven. • Aluminum foil used on the broiling pan and grid has not been fitted properly and slit as recommended. • In some areas the power (voltage) may be low. Preheat the broil element for approximately 10 to 15 minutes.
OVEN WILL NOT SELF CLEAN	<ul style="list-style-type: none"> • The oven temperature is too high to set a self-clean operation. Allow the oven to cool below the locking temperature and reset the controls. • The controls are not properly set. See the <i>Self-Cleaning Oven</i> section.
"CRACKING" OR "POPPING" SOUND DURING CLEANING	<ul style="list-style-type: none"> • This is normal. This is the sound of the metal heating and cooling during both the cooking and cleaning functions.
EXCESSIVE SMOKING OCCURS DURING CLEANING	<ul style="list-style-type: none"> • Excessive soil. Turn the Oven Mode and the Temperature knobs to OFF. Open the windows to rid the room of smoke. Wait until the locked door indicator light goes off. Wipe up excess soil and reset the clean cycle.
OVEN NOT CLEAN AFTER A CLEAN CYCLE	<ul style="list-style-type: none"> • The oven was heavily soiled. Clean up heavy spillovers before starting the clean cycle. Heavily soiled ovens may need to self-clean again. • Oven is connected to a 208V electrical supply. Set your cleaning time for 5 hours. • The oven controls are not properly set. See the <i>Self-Cleaning Oven</i> section.
OVEN RACKS ARE DIFFICULT TO SLIDE	<ul style="list-style-type: none"> • The racks were cleaned in the self-clean cycle and now need periodic lubrication. Do not spray with Pam® or other lubricant sprays. See <i>Full extension oven racks</i> in the <i>Care and Cleaning</i> section.

The Problem Solver

Wall Oven

Save time
& money!

PROBLEM	POSSIBLE CAUSE
CLOCK AND TIMER DO NOT WORK	<ul style="list-style-type: none"> A fuse in your home may be blown or the circuit breaker tripped. Replace the fuse or reset the circuit breaker. Oven controls improperly set. See the <i>Clock and Timer</i> sections.
OVEN TEMPERATURE TOO HOT OR TOO COLD	<ul style="list-style-type: none"> Oven thermostat needs adjustment. See the <i>Oven thermostat adjustment</i> section.
OVEN DOOR WILL NOT OPEN AFTER A CLEAN CYCLE	<ul style="list-style-type: none"> The oven is too hot. Allow the oven to cool below locking temperature.
LOCKED FLASHES IN THE DISPLAY	<ul style="list-style-type: none"> The self-clean cycle has been selected but the door is not closed. Close the oven door.
LOCKED LIGHT IS ON WHEN YOU WANT TO COOK	<ul style="list-style-type: none"> The oven door is locked because the temperature inside the oven has not dropped below the locking temperature. Turn the Oven Mode and the Temperature knobs to OFF. Allow the oven to cool.
F9 FLASHES IN THE DISPLAY	<ul style="list-style-type: none"> The oven has a function error code. Turn the Oven Mode and the Temperature knobs to OFF. Allow the oven to cool for one hour. Put the oven back into operation. Disconnect all power to the oven for 30 seconds and then reconnect power. If the function error code repeats, call for service.
DISPLAY GOES BLANK	<ul style="list-style-type: none"> A fuse in your home may be blown or the circuit breaker tripped. Replace the fuse or reset the circuit breaker. The clock is in the black-out mode. See the <i>Special Features</i> section.
DISPLAY FLASHES	<ul style="list-style-type: none"> Power failure. Reset the clock.
UNABLE TO GET THE DISPLAY TO SHOW SF	<ul style="list-style-type: none"> The PROBE and the DELAY START buttons must be pushed at the same time and held for 4 seconds.
"PROBE" APPEARS IN THE DISPLAY	<ul style="list-style-type: none"> This is reminding you to enter a probe temperature after plugging in the probe. Enter a probe temperature.
POWER OUTAGE, CLOCK FLASHES	<ul style="list-style-type: none"> Power outage or surge. Reset the clock. If the oven was in use, you must reset it by pushing the CLOCK button, turning and pushing the Mini-Knob to enter.
STEAM FROM THE VENT	<ul style="list-style-type: none"> When using the convection feature, it is normal to see steam coming out of the oven vent. As the number of racks or amount of food being cooked increases, the amount of visible steam will increase.
"BURNING" OR "OILY" ODOR EMITTING FROM THE VENT	<ul style="list-style-type: none"> This is normal in a new oven and will disappear in time.
STRONG ODOR	<ul style="list-style-type: none"> This is temporary. An odor from the insulation around the inside of the oven is normal for the first few times the oven is used.
FAN NOISE	<ul style="list-style-type: none"> A cooling fan or a convection fan (depending on the function you are using) may turn on. This is normal. The cooling fan will turn on to cool internal parts. It may run after the oven is turned off. The convection fan may cycle on and off until the function is over or the door is opened.

Notes

Wall Oven

With the purchase of your new Monogram appliance, receive the assurance that if you ever need information or assistance from GE, we'll be there. All you have to do is call—toll-free!

GE Answer Center®

800.626.2000

Whatever your question about any Monogram major appliance, GE Answer Center® information service is available to help. Your call—and your question—will be answered promptly and courteously. Call the GE Answer Center® Monday to Friday, 8 a.m. to 10 p.m. EST, and Saturday, 8 a.m. to 7 p.m. EST.

OR

Visit our Website at: monogram.com

Monogram Preferred Service

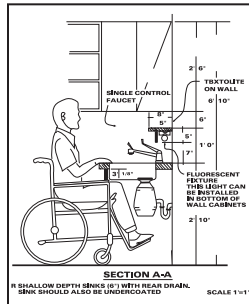
800.444.1845

A GE consumer service professional will provide expert repair service, scheduled at a time that's convenient for you. To schedule service, call Monday to Friday, 7 a.m. to 10 p.m. EST, or Saturday and Sunday, 8 a.m. to 6 p.m. EST. Many GE Consumer Service company-operated locations offer you service today or tomorrow, or at your convenience.

Our factory-trained technicians know your appliance inside and out—so most repairs can be handled in just one visit.

For Customers With Special Needs...

800.626.2000



GE offers, free of charge, a brochure to assist in planning a barrier-free kitchen for persons with limited mobility.

Consumers with impaired hearing or speech who have access to a TDD or a conventional teletypewriter may call 800.TDD.GEAC (800.833.4322) to request information or service.

Service Contracts

800.626.2224

You can have the secure feeling that GE Consumer Service will still be there after your warranty expires. Purchase a GE contract while your warranty is still in effect and you'll receive a substantial discount. With a multiple-year contract, you're assured of future service at today's prices.

Parts and Accessories

800.626.2002

Individuals qualified to service their own appliances can have parts or accessories sent directly to their home. The GE parts system provides access to over 47,000 parts...and all GE Genuine Renewal Parts are fully warranted. VISA, MasterCard and Discover cards are accepted.

User maintenance instructions contained in this manual cover procedures intended to be performed by any user. Other servicing generally should be referred to qualified service personnel. Caution must be exercised, since improper servicing may cause unsafe operation.

YOUR MONOGRAM WALL OVEN WARRANTY

Staple sales slip or cancelled check here. Proof of original purchase date is needed to obtain service under warranty. Please have serial number and model number available when calling for service.

WHAT IS COVERED

From the Date of the Original Purchase

LIMITED ONE-YEAR WARRANTY

For one year from date of original purchase, we will provide, free of charge, parts and service labor in your home to repair or replace any part of the oven that fails because of a manufacturing defect.

This warranty is extended to the original purchaser and any succeeding owner for products purchased for ordinary home use in the 48 mainland states, Hawaii, Washington, D.C. or Canada. If the product is located in an area where service by our Authorized Servicer is not available, you may be responsible for a trip charge or you may be required to bring the product to an Authorized Service location for service. In Alaska the warranty is the same except that you must pay to ship the product to the service shop or for the service technician's travel costs to your home.

All warranty service will be provided by our Factory Service Centers or by our authorized Customer Care® servicers during normal working hours.

Should your appliance need service, during warranty period or beyond, call 800.444.1845.

In Canada, call 1.800.561.3344.

WHAT IS NOT COVERED

- Service trips to your home to teach you how to use the product.
- Replacement of house fuses or resetting of circuit breakers.
- Damage to the product caused by accident, fire, floods or acts of God.
- Damage after delivery.
- Failure of the product if it is used for other than its intended purpose or used commercially.
- Improper installation, delivery or maintenance.

If you have an installation problem, contact your dealer or installer. You are responsible for providing adequate electrical, gas, exhausting and other connecting facilities as described in the Installation Instructions provided with the product.

- Incidental or consequential damage caused by possible defects with this appliance.
- Product not accessible to provide required service.
- Service to repair or replace light bulbs, except for LED lamps.

EXCLUSION OF IMPLIED WARRANTIES—Your sole and exclusive remedy is product repair as provided in this Limited Warranty. Any implied warranties, including the implied warranties of merchantability or fitness for a particular purpose, are limited to one year or the shortest period allowed by law.

Some states/provinces do not allow the exclusion or limitation of incidental or consequential damages, so the above limitation or exclusion may not apply to you. This warranty gives you specific legal rights, and you may also have other rights which vary from state to state/province to province. To know what your legal rights are in your state/province, consult your local or state/provincial consumer affairs office or your state's Attorney General.

Warrantor in U.S.A.: General Electric Company,
Louisville, KY 40225

Warrantor in Canada: Mabe Canada Inc.



GE Consumer & Industrial
Appliances
General Electric Company
Louisville, KY 40225
monogram.com

Introduction

Votre nouveau four mural Monogram offre un style éloquent, une grande commodité et de la souplesse dans l'agencement de votre cuisine. Que vous le choisissiez pour la pureté de ses lignes, l'attention assidue pour le détail ou ces deux raisons, vous constaterez que le mariage exceptionnel de la forme et de la fonctionnalité de votre four mural Monogram vous apportera satisfaction pendant de nombreuses années.

Vote four mural Monogram a été conçu pour vous offrir la flexibilité voulue permettant de l'agencer à vos armoires. Son style élégant permet de l'intégrer en toute beauté à votre cuisine.

L'information des pages suivantes vous aidera à faire fonctionner et à entretenir correctement votre four mural.

Contenu

Entretien et nettoyage

Ampoules du four 77
Grilles..... 75
Lèchefrite et grille 74
Porte du four 76, 78
Sonde 76

Service à la clientèle

Carte d'enregistrement du produit 44
Consignes de sécurité 45-47
Garantie 84
Numéros de modèle et de série 44
Numéros de téléphone importants 83
Solutions de problèmes 79, 80

Four

Caractéristiques..... 48
Commandes 49, 50, 53, 55, 57, 59, 60, 61, 63, 66, 67, 68
Cuisson à minuterie 64, 65
Cuisson au grilloir 54, 55
Cuisson par convection 58-63
Cuisson..... 53
Directives pour l'autonettoyage 67, 68
Fermentation 66
Fonction Sabbath 73
Fonctions spéciales 71-73
Grilles du four 52
Horloge 69
Minuterie 70
Papier d'aluminium 51, 54, 63
Réglage du thermostat 71
Sonde 50, 56, 57, 61, 76
Verrouillage des commandes 69

*Retirez
le ruban
d'emballage*

Pincez avec soin entre vos doigts un coin de la pellicule de protection pour l'expédition et détachez-la lentement de la surface de l'appareil. N'utilisez pas d'objets tranchants pour retirer la pellicule. Retirez toute la pellicule avant d'utiliser l'appareil pour la première fois.

Pour s'assurer de ne pas endommager le fini du produit, le meilleur moyen pour décoller du nouvel appareil l'adhésif du ruban d'emballage est d'appliquer du détergent liquide pour laver la vaisselle. Appliquez avec un chiffon doux et laissez tremper.

REMARQUE : *l'adhésif doit être retiré de toutes les pièces. Il ne pourra l'être s'il a été cuit en place.*

*Avant
d'utiliser
votre four
mural*

Lisez attentivement ce manuel. L'information contenue dans ses pages vous aidera à faire fonctionner et à entretenir correctement votre four mural.

Gardez-le à portée de la main pour répondre à vos questions.

Si vous ne comprenez pas certains points ou si vous avez besoin d'aide, vous trouverez une liste de numéros de service à la clientèle sans frais à la section arrière de ce manuel.

OU

Visitez notre site Web à l'adresse suivante :
monogram.com

*Inscrivez
les
numéros
de modèle
et de série*

Vous les trouverez sur une étiquette située sur la partie avant gauche de la garniture derrière la porte du four.

Remplissez et faites-nous parvenir la carte d'enregistrement du produit qui accompagne ce produit.

Avant d'envoyer la carte, veuillez inscrire les numéros ci-dessous :

Numéro de modèle

Numéro de série

Utilisez ces numéros pour toute correspondance ou tout appel de service au sujet de votre four mural.

*Si vous avez
reçu un
four mural
endommagé*

Contactez immédiatement le détaillant (ou le fabricant) qui vous a vendu le four mural.

*Gagnez du
temps et
économisez*

Avant toute demande de service, consultez la section Solution de problèmes à l'arrière de ce manuel.

Vous y trouverez une liste des causes de problèmes de fonctionnement mineurs que vous pouvez corriger vous-même.

*Si vous
avez besoin
de service
d'entretien
ou de
réparation*

Pour obtenir du service, reportez-vous aux pages du service à la clientèle à l'arrière de ce manuel.

Nous sommes fiers de notre service et nous tenons à votre satisfaction. Si pour quelque raison que ce soit vous n'êtes pas satisfait du service reçu, voici deux étapes à suivre pour obtenir de l'aide supplémentaire.

D'ABORD, contactez les personnes qui ont réparé votre appareil. Expliquez votre insatisfaction. Dans la plupart des cas, cette démarche résoudra le problème.

ENSUITE, si vous n'êtes toujours pas satisfait, écrivez tous les détails (sans oublier d'inscrire votre numéro de téléphone) au :

Manager, Customer Relations
GE Appliances
Appliance Park
Louisville, KY 40225

AVIS IMPORTANT EN MATIÈRE DE SÉCURITÉ

- Le California Safe Drinking Water and Toxic Enforcement Act exige que le gouverneur de Californie publie une liste de substances que l'on sait occasionner le cancer, des anomalies congénitales ou d'autres anomalies de reproduction, et exige que les entreprises avertissent leurs clients des dangers que leur font courir une exposition à ces substances.
- L'isolement en fibre de verre dans les fours auto-nettoyants émet un très petit montant de gaz carbonique pendant le cycle de nettoyage. Vous pouvez réduire votre exposition à ce gaz en aérant, en ouvrant la fenêtre ou en utilisant un ventilateur ou une hotte d'aération.

• **IMPORTANT** : Certains oiseaux sont extrêmement sensibles à la fumée produite pendant le programme d'autonettoyage de n'importe quel four. Placez les oiseaux dans une autre pièce bien aérée.

MESURES DE SÉCURITÉ

Pour utiliser des appareils électroménagers, vous devez suivre des précautions élémentaires de sécurité, en particulier :

- Assurez-vous d'enlever tous les matériaux d'emballage du four avant de le mettre en marche, pour éviter tout danger d'incendie ou de dommage dû à la fumée si ces matériaux d'emballage prennent feu.
- N'utilisez cet appareil que pour l'usage auquel il est destiné, comme expliqué dans le présent Manuel du propriétaire.
- Assurez-vous que votre appareil est bien installé et mis à la terre par un installateur qualifié, conformément aux directives d'installation fournies.
- Assurez-vous que le four est bien installé dans une armoire solidement fixée à la charpente de la résidence. Ne laissez personne grimper, s'asseoir ou monter sur la porte du four, ou s'y agripper.
- Demandez à l'installateur de vous montrer l'emplacement du disjoncteur ou du fusible. Identifiez-le pour pouvoir le trouver facilement.
- Ne tentez pas de réparer ni de remplacer aucune pièce du four, à moins que cela ne soit recommandé dans le présent manuel. Tout autre service d'entretien doit être assuré par un réparateur qualifié.
- Apprenez aux enfants à ne pas jouer avec les commandes ou toute autre pièce du four.
- Ne laissez jamais la porte du four ouverte lorsque vous ne surveillez pas l'appareil.
- Gardez toujours les linges à vaisselle, les mitaines de four et autres articles en tissu à une distance sécuritaire de votre four.
- Pour votre sécurité, n'utilisez pas cet appareil pour réchauffer la pièce.
- Ne rangez pas de matériaux inflammables dans le four.
- Gardez toujours les ustensiles en plastique et en bois, de même que les aliments en conserve, à une distance sécuritaire de votre four.
- Gardez toujours les revêtements muraux combustibles, les rideaux et les tentures à une distance sécuritaire de votre four.
- NE PAS EMMAGASINEZ OU UTILISEZ DES MATÉRIELS COMBUSTIBLES, L'ESSENCE OU LES AUTRES VAPEURS ET LES LIQUIDES INFLAMMABLES À PROXIMITÉ DE CECI OU AUCUN AUTRE APPAREIL.
- Ne laissez pas de graisse ou autres matières inflammables s'accumuler dans le four ou à proximité de ce dernier.
- Ne tentez pas d'éteindre des feux de graisse avec de l'eau. Ne soulevez jamais une casserole en flammes. Mettez tous les réglages en position off (arrêt).

Vous pouvez éteindre complètement les flammes en fermant la porte du four et en éteignant l'appareil, ou en utilisant un extincteur chimique à poudre ou à mousse.

• Abstenez-vous d'utiliser tout type de papier ou de doublure pour recouvrir le fond ou toute autre partie du four, sauf indication contraire dans ce manuel. Les doublures de four peuvent emprisonner la chaleur ou fondre, endommageant le produit et causant un risque de choc électrique, d'enfumage ou d'incendie.

MESURES DE SÉCURITÉ

- **N'utilisez pas de papier d'aluminium pour recouvrir la sole du four.** Le papier d'aluminium peut emprisonner la chaleur produite par l'élément inférieur, ce qui pourrait causer un choc électrique, un incendie ou des dommages à l'appareil.
- **Faites cuire la viande et la volaille à fond**—la température INTERNE de la viande doit être d'au moins 160 °F, et celle de la volaille d'au moins 180 °F. La cuisson à ces températures internes assure généralement une bonne protection contre les intoxications alimentaires.
- **Avant d'effectuer une réparation, COUPEZ TOUJOURS L'ALIMENTATION DU FOUR AU PANNEAU DE DISTRIBUTION EN ENLEVANT LE FUSIBLE OU EN DÉCLANCHANT LE DISJONCTEUR.**
- **Ne laissez pas les enfants sans surveillance**— Il ne faut jamais laisser les enfants seuls ou sans surveillance près de l'appareil, lorsque celui-ci fonctionne. On doit également leur interdire de grimper ou de s'asseoir sur l'appareil.
- **Ne touchez pas aux éléments chauffants, ni aux parois du four.** Ces surfaces peuvent être suffisamment chaudes pour causer des brûlures, même si elles ne sont pas rouges. Pendant et après l'utilisation, faites en sorte que vos vêtements et autres matériaux inflammables ne viennent pas en contact avec les parois du four. Laissez-les d'abord refroidir.

Les surfaces susceptibles de devenir chaudes comprennent notamment l'évent du four et les surfaces qui l'entourent, les aspérités autour de la porte du four, la surface périphérique du hublot et les moulures métalliques au-dessus de la porte.

N'oubliez pas : Les parois du four peuvent être chaudes lorsque vous ouvrez la porte.

- **⚠ ATTENTION :** NE RANGEZ PAS DES ARTICLES QUI PRÉSENTENT UN INTÉRÊT POUR LES ENFANTS, DANS LES ARMOIRES SE TROUVANT AU-DESSUS D'UN FOUR CAR CEUX-CI POURRAIENT GRIMPER SUR L'APPAREIL POUR LES ATTEINDRE ET RISQUERAIENT DE SE BLESSER.
- **Ne portez jamais de vêtements amples lorsque vous utilisez cet appareil.** Faites attention lorsque vous prenez des articles rangés dans les armoires au-dessus du four. Les tissus inflammables peuvent prendre feu au contact des surfaces chaudes et causer de graves brûlures.
- **N'utilisez que des poignées ou des mitaines de four sèches**—les poignées ou mitaines de four humides ou mouillées peuvent causer des brûlures de vapeur. Ne laissez pas les poignées venir en contact avec les éléments chauds. N'utilisez pas de serviette ou autre objet encombrant en tissu au lieu de mitaines de four.
- **Assurez-vous que l'évent du four n'est jamais obstrué.**
- **Ne laissez pas s'accumuler de dépôts graisseux dans le four.**
- **Ne vous tenez pas trop près du four lorsque vous ouvrez la porte.** L'air chaud et la vapeur qui s'en échappent peuvent vous brûler les mains, le visage et les yeux.
- **Après le grillage, sortez toujours la lèchefrite du four et nettoyez-la.** La graisse qui s'est accumulée dans la lèchefrite pourrait prendre feu la prochaine fois que vous utiliserez le four.
- **De grandes égratignures ou des impacts sur la surface vitrée des portes peuvent entraîner le bris du verre.**
- **Ne laissez jamais de pots à graisse ou de boîtes de conserve contenant des matières grasses à proximité de votre four.**

MESURES DE SÉCURITÉ

- **Les enfants en marchette ou les enfants qui rampent peuvent être attirés par la poignée ronde de porte du four et peuvent la saisir, et ainsi ouvrir la porte.** Cela peut occasionner une ouverture de la porte sur l'enfant ou des brûlures sérieuses si le four est en fonctionnement et chaud.
- **Ne faites pas chauffer de récipient fermé.** L'accumulation de pression dans le récipient peut le faire éclater, causant ainsi des blessures.
- **Placez les clayettes à la hauteur désirée lorsque le four est froid.** Si vous devez les manipuler lorsque le four est chaud, évitez que vos mitaines de four entrent en contact avec les éléments du four.
- **Il est plus pratique de soulever des plats lourds lorsque la grille est entièrement ouverte.** Vous éviterez ainsi de vous brûler en touchant aux parois de la porte ou du four.
- **Lorsque vous utilisez des sachets pour la cuisson ou le rôtissage,** suivez les directives du fabricant.
- **Ne faites pas sécher de journaux dans le four.** S'ils surchauffent, ils risquent de prendre feu.
- **N'entrez pas d'articles dans votre four.** Ils pourraient prendre feu.
- **Ne laissez pas de produits en papier, d'ustensiles de cuisson ou d'aliments dans le four lorsqu'il n'est pas utilisé.**
- **Ne laissez personne grimper ou monter sur la porte du four, ou s'y agripper.** Cela pourrait endommager l'appareil ou causer de graves blessures.

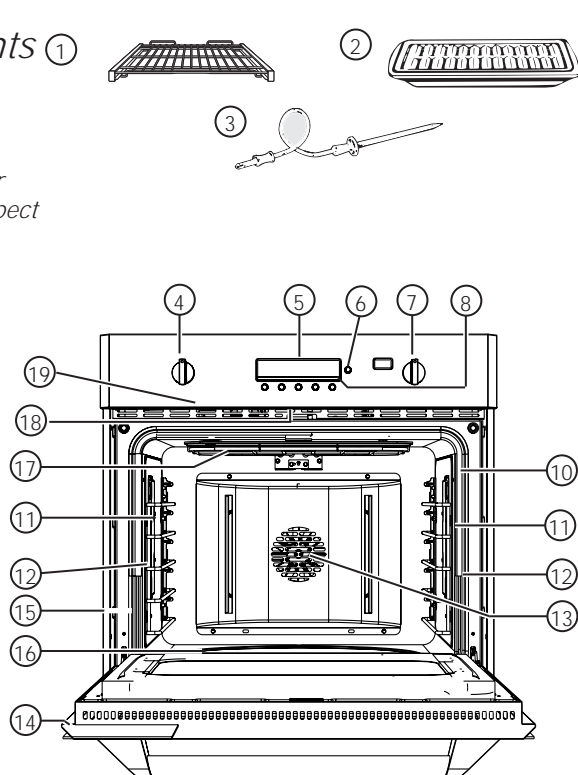
FOUR AUTONETTOYANT

- **Ne nettoyez pas le joint de la porte.** Ce joint est essentiel à une bonne étanchéité. Il faut éviter de le récurer, de l'endommager ou de le déplacer.
- **N'utilisez pas de produits nettoyants commerciaux pour le four.** Il ne faut jamais utiliser des produits nettoyants commerciaux ou des enduits protecteurs dans le four ou près des pièces du four. Les résidus de ces produits nettoyants endommageront l'intérieur du four lorsque vous effectuerez un autonettoyage.
- **Ne nettoyez que les pièces indiquées dans le présent manuel d'utilisation.**
- **Avant de commencer l'autonettoyage,** enlevez la lèchefrite, la grille et autres ustensiles de cuisine.
- **Avant de commencer l'autonettoyage, essayez les aliments renversés.**
- **Si le programme d'autonettoyage fonctionne mal,** éteignez le four et coupez l'alimentation électrique. Faites réparer l'appareil par un technicien qualifié.
- **Vous pouvez nettoyer les clayettes du four pendant le cycle d'auto-nettoyage.**
- **Ne placez jamais d'ustensiles, de pierres à pizza ou de cuisson, ni tout type de papier ou de doublure sur le fond du four.** Ces articles peuvent emprisonner la chaleur ou fondre, endommageant le produit et causant un risque de choc électrique, d'enfumage ou d'incendie.

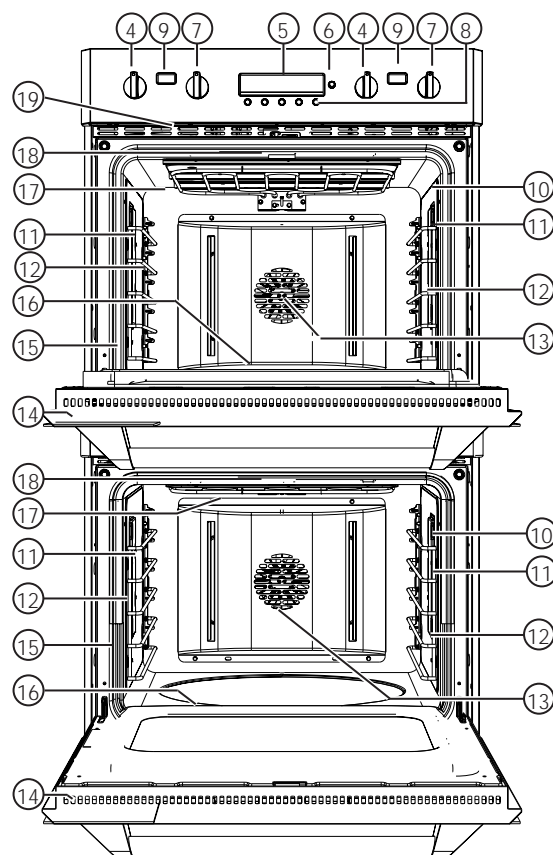
CONSERVEZ CES DIRECTIVES

Renseignements ^① descriptifs

(les caractéristiques n'apparaissent pas sur tous les modèles. L'aspect peut varier.)



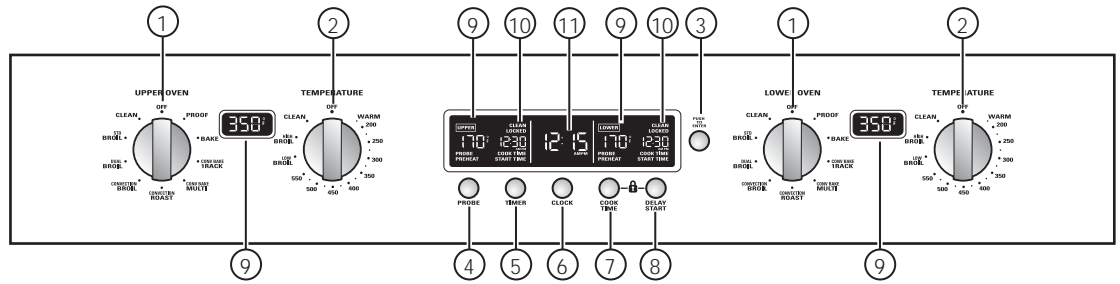
ZET1 : illustré avec ses boutons stylisés professionnel



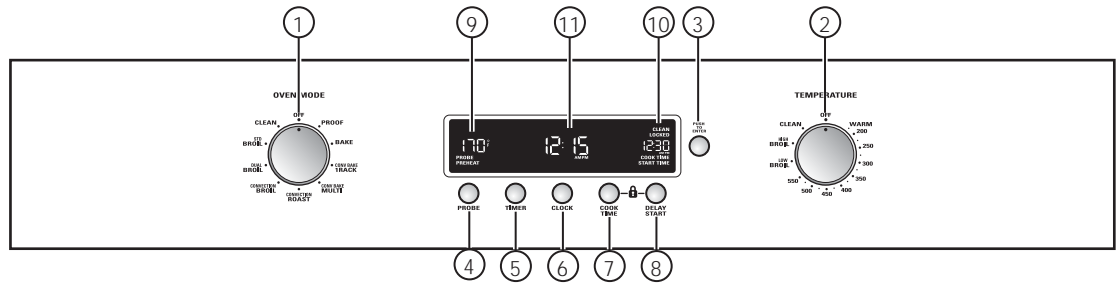
ZET2 : illustré avec ses boutons stylisés Pro

Index des caractéristiques	Page
1 Grilles de four à extension complète (3 par four)	51, 52, 53, 54, 55, 58, 59, 60, 61, 63, 64, 66, 75
2 Lèche-frite et grille	60, 74
3 Sonde	50, 56, 57, 61, 76
4 Bouton de sélection du mode de cuisson	50, 53, 55, 57, 59, 60, 61, 63, 66, 67, 68
5 Afficheur	50
6 Bouton de sélection miniature : Tournez pour sélectionner et enfoncez pour saisir les réglages des fonctions PROBE (sonde), TIMER (minuterie), CLOCK (horloge), COOK TIME (temps de cuisson) et DELAY START (démarrage différé).	50, 57, 61, 64, 65, 67, 68, 69, 70, 71, 72, 73
7 Bouton de sélection de la température	50, 53, 55, 57, 59, 60, 61, 63, 67, 74
8 Boutons sonde, minuterie, horloge, temps de cuisson et démarrage différé. Sélection d'une caractéristique par enfoncement : tournez le bouton de sélection miniature pour sélectionner et enfoncez pour saisir.	50, 57, 61, 64, 65, 27, 68, 69, 70, 71, 72, 73
9 Sous-affichages : Les températures supérieure et inférieure apparaissent dans leurs afficheurs respectifs (sur certains modèles).	—
10 Sortie de la sonde	56, 57, 61, 63, 67, 79, 80
11 Ampoules de four à halogène	77, 79
12 Supports à grille de four (5 positions)	52, 77
13 Ventilateur de convection (fonctionne durant la cuisson à convection et le préchauffage)	53, 54, 57, 58, 59, 60, 61, 63, 64, 67, 68, 80
14 Porte de four amovible	76
15 Joint de porte de four	78
16 Élément de cuisson (sous le plancher du four)	45, 59, 74
17 Élément chauffant pour griller	58, 74, 79
18 Loquet de porte du four automatique	67, 68
19 Événement du four	46, 80

Caractéristiques des commandes, de l'horloge et de la minuterie de votre four (les caractéristiques n'apparaissent pas sur tous les modèles. L'aspect peut varier.)



Commandes du four double : Modèle Pro illustré (l'aspect peut varier.)

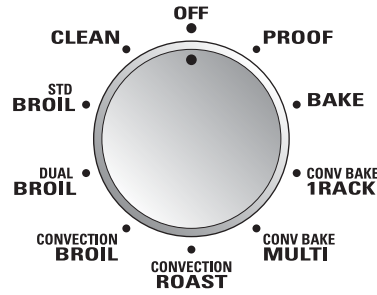


Commandes du four simple : Modèle intégré illustré (l'aspect peut varier.)

- 1 **Bouton de sélection du mode de cuisson :** Tournez pour sélectionner :
 - PROOF (levage) :** Pour maintenir un environnement chaud, utile pour faire lever les produits contenant de la levure.
 - BAKE (cuisson) :** Pour la cuisson conventionnelle.
 - CONV BAKE 1 RACK (cuisson par convection à une grille) :** Pour la cuisson par convection sur une grille.
 - CONV BAKE MULTI (cuisson par convection à plusieurs grilles) :** Pour la cuisson par convection sur plusieurs grilles.
 - CONV ROAST (rôtissage par convection) :** Pour le rôtissage par convection.
 - CONV BROIL (grillage par convection) :** Pour la cuisson au grilloir par convection.
 - DUAL BROIL (grillage par convection à 2 éléments) :** Pour la cuisson conventionnelle au grilloir pour une grande quantité de nourriture.
 - STD BROIL (grillage à 1 élément) :** Pour la cuisson conventionnelle au grilloir pour une petite quantité de nourriture.
 - CLEAN (nettoyage) :** Pour la fonction d'autonettoyage. Reportez-vous à la section *Four autonettoyant*.
- 2 **Bouton de sélection de la température :** Tournez pour sélectionner :
 - Pour le réglage de la température entre 200 °F et 550 °F (93 °C et 288 °C).
 - WARM (réchauffer) :** Pour garder les aliments chauds jusqu'à 2 heures après l'arrêt de la fonction cuisson.
 - LOW BROIL (grillage faible) :** Pour le réglage automatique d'une température basse de cuisson au grilloir.
 - HIGH BROIL (grillage élevé) :** Pour le réglage automatique d'une température élevée de cuisson au grilloir.
 - CLEAN (nettoyage) :** Pour le réglage automatique de la fonction d'autonettoyage.
- 3 **Bouton de sélection miniature**
 - Tournez pour sélectionner et enfoncez pour saisir les réglages PROBE (sonde), TIMER (minuterie), CLOCK (horloge), COOK TIME (temps de cuisson) et DELAY START (démarrage différé).
- 4 **PROBE (sonde) :** Enfoncez pour sélectionner la sonde et cuire les aliments à une température interne. Tournez et enfoncez le bouton de sélection miniature pour valider ce réglage.
- 5 **TIMER (minuterie) :** Enfoncez pour sélectionner la fonction minuterie. Elle ne contrôle pas les opérations du four. La minuterie permet un réglage allant jusqu'à 11 heures et 59 minutes.
- 6 **CLOCK (horloge) :** Enfoncez pour saisir l'heure de la journée. Tournez et enfoncez le bouton de sélection miniature pour valider ce réglage.
- 7 **COOK TIME (temps de cuisson) :** Enfoncez pour saisir le temps désiré pour la cuisson (ou le rôtissage), la cuisson par convection ou le rôtissage par convection. Tournez et enfoncez le bouton de sélection miniature pour valider ce réglage.
- 8 **DELAY START (démarrage différé) :** Enfoncez pour différer le démarrage de la cuisson ou du cycle d'autonettoyage. Tournez et enfoncez le bouton de sélection miniature pour régler l'heure désirée du démarrage de la cuisson.
- 9 **Afficheur de température :** Indique la température de réglage du four ou de la sonde et si le four est en préchauffage. (Sur certains modèles de four mural double, UPPER et LOWER (haut et bas) apparaissent au-dessus de leurs réglages respectifs.)

REMARQUE : sur certains modèles de four mural, la température de réglage apparaît dans les afficheurs entre leurs boutons de commande respectifs.
- 10 **Afficheur d'avancement de temps de cuisson et d'autonettoyage :** Lorsque sélectionné, indique le temps de cuisson (COOK TIME) restant et le temps de démarrage différé (DELAY START). Les indicateurs lumineux indiquent l'avancement du cycle d'autonettoyage.
- 11 **Afficheur de l'heure de la journée :** Indique l'heure de la journée.

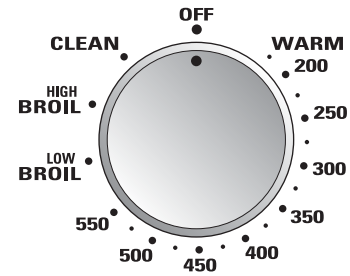
Présentation des commandes du four



Bouton de sélection du mode de cuisson

Pour tous les modes sauf Proof (levage), le four ne fonctionnera que si le mode du four et la température ont tous deux été sélectionnés à l'aide des boutons. Voir le tableau.

Bouton de sélection du mode de cuisson	Bouton de sélection de la température
PROOF (levage)	OFF (arrêt)
BAKE (cuisson)	De WARM (chaud) à 550 °F (288 °C)
CONV BAKE/1 RACK (cuisson par convection sur une grille)	De WARM (chaud) à 550 °F (288 °C)
CONV BAKE/MULTI (cuisson par convection sur plusieurs grilles)	De WARM (chaud) à 550 °F (288 °C)
CONVECTION/ROAST (rôtissage par convection)	De WARM (chaud) à 550 °F (288 °C)



Bouton de sélection de la température

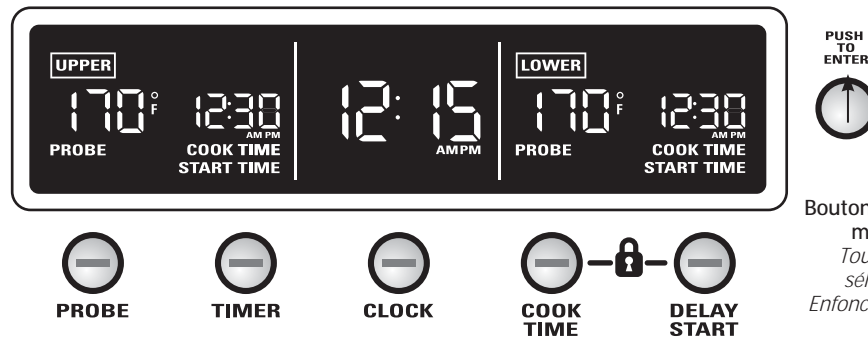
Pour annuler cette fonction, tournez à OFF (arrêt) soit le bouton de sélection du mode de cuisson ou le bouton de sélection de la température.

Pour annuler PROOF (levage), tournez le bouton de sélection du mode cuisson à OFF (arrêt).

Bouton de sélection du mode de cuisson	Bouton de sélection de la température
CONVECTION/BROIL (cuisson au grilloir par convection)	HIGH ou LOW BROIL (cuisson au grilloir haute ou basse)
DUAL BROIL (cuisson au grilloir à 2 éléments)	HIGH ou LOW BROIL (cuisson au grilloir haute ou basse)
STD BROIL (cuisson au grilloir à 1 élément)	HIGH ou LOW BROIL (cuisson au grilloir haute ou basse)
CLEAN (nettoyage)	CLEAN (nettoyage)

Présentation des commandes de réglage de la sonde de température et de temps

Illustration de l'afficheur du four double



Bouton de sélection miniature
Tournez pour sélectionner
Enfoncez pour saisir

Enfoncez les boutons **PROBE** (sonde), **TIMER** (minuterie), **CLOCK** (horloge), **COOK TIME** (temps de cuisson) ou **DELAY START** (démarrage différé) et validez la sélection en tournant et en enfonçant le bouton de sélection miniature. Reportez-vous à chaque section respective pour les détails.

Le bouton de sélection miniature affiche une sélection en incréments de 1, 5 ou 10 selon la-vitesse à laquelle le bouton est tourné.

Tournez le dans le sens horaire pour augmenter la température de réglage de la sonde et du temps et dans le sens antihoraire pour la réduire. Enfoncez pour valider le réglage.

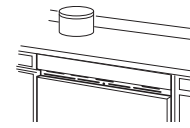
Consultez la section *Verrouillage des commandes* pour savoir comment verrouiller et déverrouiller les commandes.

Conseils de cuisson

Four mural

Écoulement d'air du four

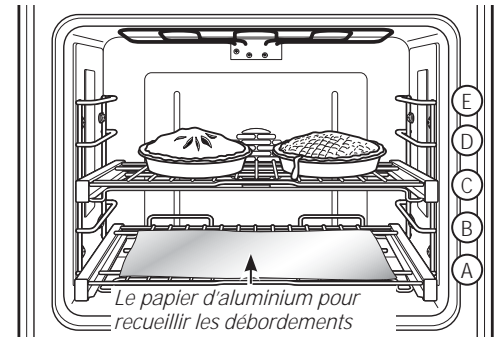
Un ventilateur de refroidissement interne fonctionne durant tous les modes de cuisson du four. L'air chaud à l'intérieur du four sera évacué par les événements situés sous la porte et sous la garniture.



Papier d'aluminium et doublures de four

⚠ MISE EN GARDE: Abstenez-vous d'utiliser tout type de papier ou de doublure dans le fond du four. Ces articles peuvent emprisonner la chaleur ou fondre, endommageant le produit et causant un risque de choc électrique, d'enfumage ou d'incendie. Les dommages résultant de l'usage inapproprié de ces articles ne sont pas couverts par la garantie du produit.

Pour protéger des débordements, une feuille d'aluminium peut être placée sur une grille inférieure se trouvant à plusieurs centimètres en dessous des aliments. N'utilisez pas plus de papier d'aluminium que nécessaire et ne recouvrez jamais la totalité d'une grille avec le papier. Laissez une distance d'au moins 3,8 cm (1 1/2 po) entre le papier et les parois du four pour permettre une bonne distribution de chaleur.



Remarque : L'inscription "NO FOIL ON OVEN BOTTOM" (Pas de feuille d'aluminium dans le fond du four) est émaillée dans le bas de la cavité du four et elle résistera aux températures élevées de l'autonettoyage. Ne tentez pas de peeler ou gratter cette inscription.

Positionnement des casseroles

Pour une cuisson uniforme et un brunissage correct, il doit y avoir suffisamment d'espace pour la circulation d'air dans le four. Les résultats de cuisson seront meilleurs si les plats sont centrés autant que possible dans le four plutôt que d'être placés à l'avant ou à l'arrière du four.

Les plats ne doivent ni se toucher, ni toucher aux parois du four. Prévoyez un espacement de 2,5 à 3,75 cm (1 à 1,5 po) entre les plats ainsi qu'avec l'arrière, la porte et les côtés du four.

Si vous devez utiliser deux grilles, utilisez les positions A et C, B et D ou A et D et décalez les plats de manière à ce qu'ils ne soient pas directement l'un au-dessus de l'autre.

Moules de cuisson/ plaques à pâtisserie

Utilisez les moules de cuisson appropriés. Le type de fini du moule détermine la quantité de brunissage qui aura lieu.

- Les moules de couleur foncée, rugueux ou ternis absorbent la chaleur et il en résultera une croûte plus brunie et croustillante. Utilisez ce type de moule pour les tartes.

- Les moules brillants, de couleur claire et lisses reflètent la chaleur et il en résultera un brunissage plus clair et plus délicat. C'est le type de moule ou de plaque à pâtisserie qu'il faut utiliser pour les gâteaux et les biscuits.
- Les plats de cuisson en verre absorbent aussi la chaleur. Pour les plats de cuisson en verre, il peut être nécessaire de réduire la température de cuisson de 25 °F (14 °C).

Préchauffage

Laissez le four préchauffer avant d'y placer les aliments. Pour de meilleurs résultats, il est nécessaire de préchauffer le four lors de la préparation de gâteaux, de biscuits, de pâtisseries et de pain.

Pour préchauffer, réglez le four à la bonne température. L'indicateur lumineux PREHEAT (préchauffage) s'allume et l'afficheur de température indique 100 °F (38 °C). (La température affichée commence à changer une fois que la température du four atteint 100 °F

[38 °C].) Le ventilateur à convection se met aussi en marche lors du préchauffage. La commande émet un signal sonore (bip) une fois que le four est préchauffé, ce qui prend environ 10 à 15 minutes. L'indicateur lumineux PREHEAT (préchauffage) s'éteint et l'afficheur indique la température de réglage.

Les aliments peuvent être placés dans le four une fois que le voyant lumineux PREHEAT (préchauffage) s'est éteint.

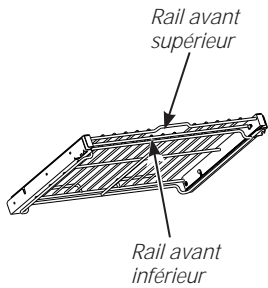
Le type de margarine utilisée affecte la cuisson!

La plupart des recettes nécessitant une cuisson exige l'utilisation de produits à forte teneur en matières grasses, comme du beurre ou de la margarine (80 % de matières grasses). Si vous diminuez la quantité de gras, vous pourriez ne pas obtenir les mêmes résultats qu'avec un produit à plus forte teneur en matières grasses.

Vous pouvez rater votre recette de gâteau, de tarte, de pâtisseries, de biscuits ou de friandises lorsque vous utilisez de la graisse tartinable à faible teneur en matières grasses. Plus la teneur en matières grasses d'une graisse tartinable est faible, plus la différence est appréciable.

En vertu des normes fédérales, les produits étiquetés comme étant de la « margarine » doivent contenir au moins 80 % de matières grasses. Par contre, les graisses tartinables à faible teneur en matières grasses contiennent moins de gras et plus d'eau. La forte teneur en eau de ces graisses tartinables affecte la texture et la saveur des produits de boulangerie. Pour obtenir de bons résultats avec vos anciennes recettes préférées, utilisez de la margarine, du beurre ou de la graisse à tartiner contenant au moins 70 % d'huile végétale.

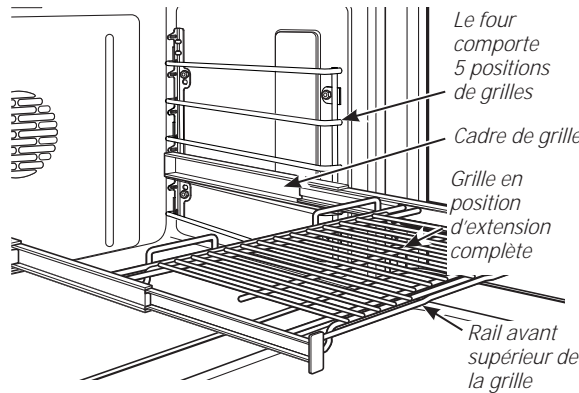
Grilles de four à extension complète



Afin d'éviter de vous brûler, placez les grilles à la bonne position avant de mettre le four en marche.

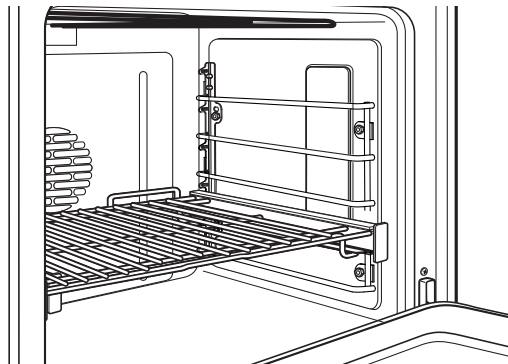
La position de rail correcte dépend du type d'aliment et du brunissage désiré.

Le cadre des grilles s'adapte aux supports à grille des deux côtés. Une fois le cadre de grille en place, utilisez le rail avant supérieur de la grille pour tirer celle-ci en position d'extension complète, lorsque vous placez ou retirez un plat de cuisson.

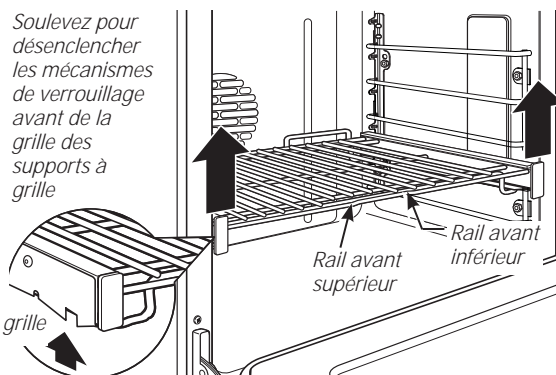


Pour enlever une grille :

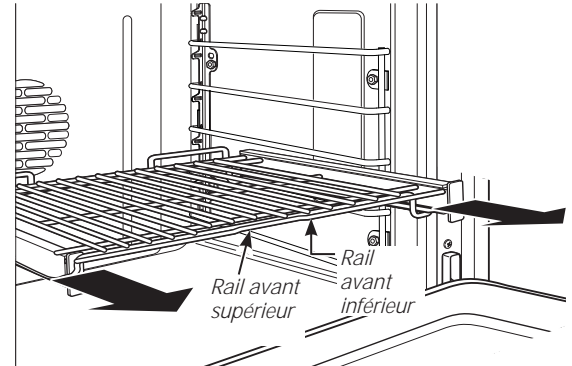
1. Assurez-vous que la grille est bien au fond du four.



2. Saisissez la grille à la fois par son rail avant supérieur et son rail avant inférieur et soulevez-la vers le haut de manière à désenclencher les mécanismes de verrouillage avant de la grille des supports à grille.

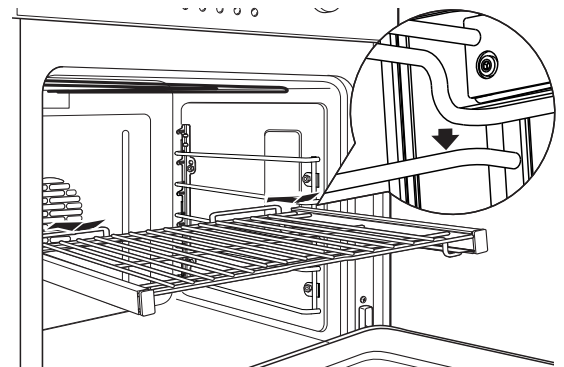


3. Alors que vous tenez fermement les rails avant supérieur et inférieur, tirez la grille vers l'avant et retirez-la du four.

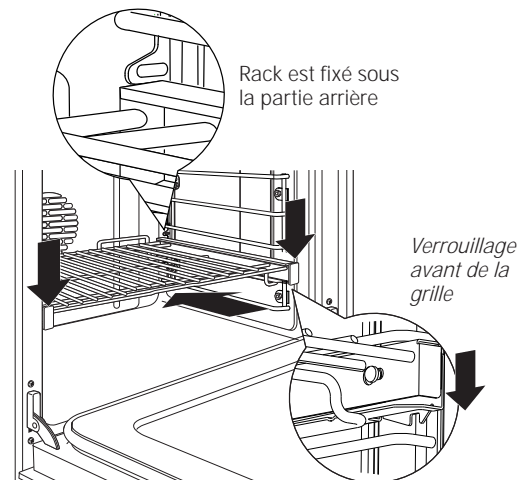


Pour remettre une grille en place :

1. Placez la grille sur les supports de grille (cinq positions de grille disponibles incluant la position supérieure).

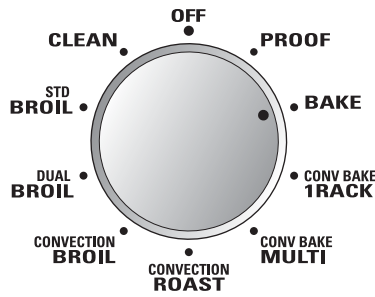


2. Glissez complètement la grille jusqu'à ce qu'elle se fixe aux supports arrière et appuyez sur le devant de la grille sur les supports frontaux. Glissez complètement la grille et assurez-vous que cette dernière est verrouillée.

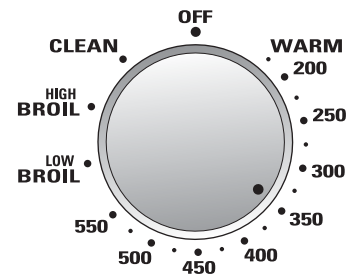


Glissez la grille complètement vers l'intérieur et poussez vers le bas de manière à enclencher les mécanismes de verrouillage avant sur les supports avant de la grille.

Comment régler une cuisson



Bouton de sélection du mode de cuisson



Bouton de sélection de la température

- 1 Tournez le bouton de sélection du mode cuisson à BAKE (cuisson).
- 2 À l'aide du bouton de sélection de la température, réglez la température désirée, par incrément de 25 °F, de 200 °F à 550 °F (93 °C à 288 °C).

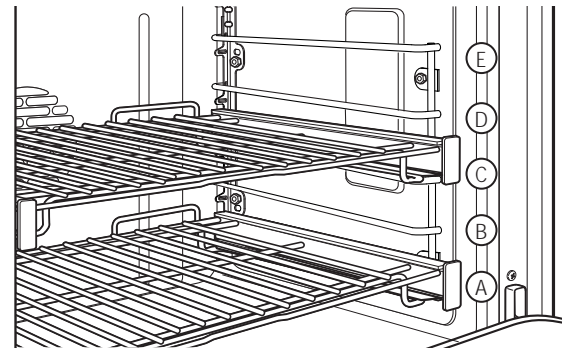
Le four et les ampoules intérieures du four s'allument immédiatement et demeurent allumés jusqu'à ce que le four soit éteint.

Le ventilateur à convection se met en marche (après un court délai), l'indicateur lumineux PREHEAT (préchauffage) s'allume et l'afficheur indique 100 °F (38 °C). (La température affichée commence à changer une fois que la température du four atteint 100 °F [38 °C].) La commande émet un signal sonore (bip) une fois que le four est préchauffé, ce qui prend environ de 10 à 15 minutes. L'indicateur lumineux PREHEAT (préchauffage) s'éteint et l'afficheur indique la température de réglage.

Les aliments peuvent être placés dans le four une fois que le voyant lumineux PREHEAT (préchauffage) s'est éteint.

- 3 Vérifiez si les aliments sont prêts au temps minimum indiqué dans la recette. Faites cuire plus longtemps au besoin.
- 4 Tournez le bouton de sélection du mode cuisson et le bouton de sélection de la température à OFF (arrêt) une fois la cuisson terminée.

REMARQUE : un ventilateur de refroidissement se met en marche pour refroidir les pièces internes. Cela est normal et il se peut que le ventilateur continue à fonctionner même après que le four soit éteint.



Le four possède 5 positions de grille. Reportez-vous à la section Grilles de four à extension complète pour les instructions sur l'utilisation, l'enlèvement et la remise en place des grilles.

Type d'aliment	Position de la grille
Gâteau des anges	A
Biscuits ou muffins	B ou C
Biscuits ou petits gâteaux	B ou C
Carrés au chocolat	B ou C
Gâteaux à étages	B ou C
Gâteaux moulés et quatre-quarts	A ou B
Tartes et fonds de tarte	B ou C
Une seule tarte	B ou C
Tartes congelées	B ou C (sur plaque à pâtisserie)
Casseroles	B ou C

Présentation de la cuisson au grilloir

Différents éléments de grillage sont utilisés pour chaque mode de cuisson au grilloir, tel que décrit ci-dessous. Il y a 3 modes de cuisson au grilloir, et pour chacun, un réglage **HI** et **LO** (haut et bas).

- Le réglage **HI** (haut) peut être utilisé pour enfermer les jus à l'intérieur et fournir un brunissage intense ou un grillage lorsque nécessaire (une grille en position supérieure sera alors utilisée).
- Le réglage **LO** (bas) peut être utilisé lorsque les aliments requièrent un brunissage adéquat et nécessitent aussi d'être cuits de part en part (une grille en position basse sera utilisée pour les pièces plus grosses telles que le filet de porc ou le bifteck de flanc roulé).

Dual Broil (cuisson au grilloir à 2 éléments) : les éléments de grillage intérieur et extérieur sont tous deux utilisés pour ce mode de cuisson au grilloir. Utilisez ce mode lorsque la lèchefrite est entièrement chargée d'aliments. Reportez-vous à la section *Comment régler le four pour la cuisson au grilloir*.

HI (haut) (lèchefrite entièrement chargée) : hamburgers; légumes grillés tels que poivrons entiers, aubergines, maïs, légumes coupés assortis, kebabs et viandes tranchées très minces telles que les côtelettes de porc fumées

LO (bas) (lèchefrite entièrement chargée) : filets de poisson

Std Broil (cuisson au grilloir à 1 élément) : utilise l'élément intérieur seulement (pour les plus petites quantités de nourriture). Reportez-vous à la section *Comment régler le four pour la cuisson au grilloir*.

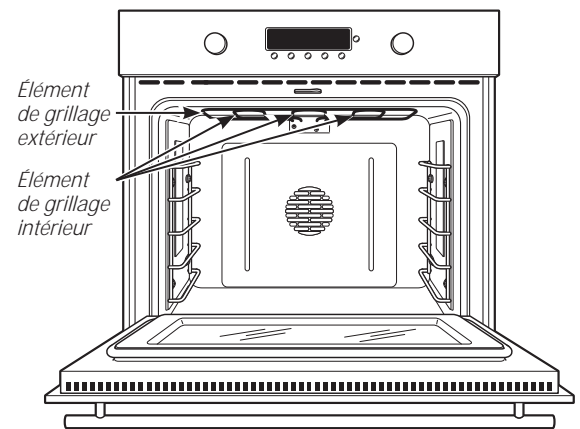
HI (haut) (petite quantité de nourriture) : 2 à 4 hamburgers ou côtelettes de porc ou tranches de bœuf de 1,25 à 2,5 cm (0,5 à 1 po)

LO (bas) (petite quantité de nourriture) : 2 à 4 poitrines de poulet ou filets de poisson

Convection Broil Cuisson au grilloir par convection : les éléments de grillage intérieur et extérieur sont tous deux utilisés ainsi que le ventilateur à convection. Reportez-vous à la section *Comment régler le four pour la cuisson au grilloir par convection*.

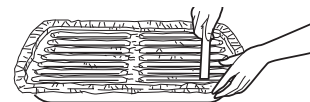
HI (haut) : tranches de bœuf de 3,75 à 5 cm (1,5 à 2 po), bifteck de flanc roulé et poitrines de poulet (enferme les jus sans brunissage excessif)

LO (bas) : gros filets de porc ou rôtis de bœuf (permet le brunissage adéquat et une cuisson complète)

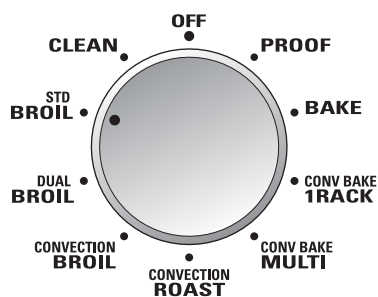


Papier d'aluminium

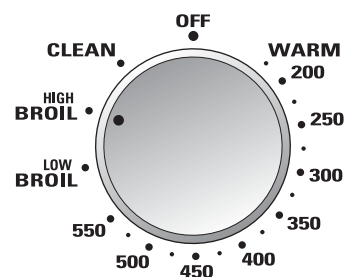
Vous pouvez utiliser du papier d'aluminium comme doublure pour la lèchefrite et sa grille. Par contre, vous devez placer le papier bien ajusté sur la grille et découper des fentes semblables à celles de la grille.



Comment régler un grillage dans votre four

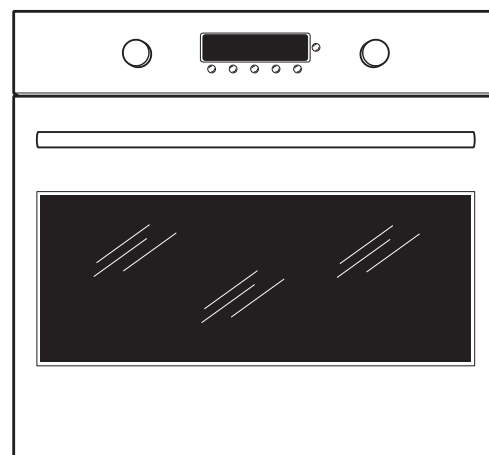


Bouton de sélection du mode de cuisson



Bouton de sélection de la température

- 1 Si la pièce de viande comporte du gras ou du cartilage sur le pourtour, faites des entailles verticales dans les deux à environ 5 cm (2 po) d'intervalle. Si désiré, le gras peut être enlevé, pour ne laisser qu'une couche de 0,3 cm (1/8 po).
- 2 Placez la viande ou le poisson sur la lèchefrite et sa grille. Utilisez toujours la grille pour que tout le gras tombe dans la lèchefrite; sinon, les jus pourraient devenir suffisamment chauds pour s'enflammer.
- 3 Placez la grille dans le four.
- 4 Fermez la porte. **Fermez toujours la porte lorsque vous cuisinez au grilloir.**
- 5 Tournez le bouton de sélection du mode cuisson à DUAL BROIL (cuisson au grilloir à 2 éléments) (pour les grandes quantités de nourriture) ou STD BROIL (cuisson au grilloir à 1 élément) (pour les plus petites quantités de nourriture).
- 6 Tournez le bouton de sélection de la température à LOW BROIL (cuisson basse au grilloir) ou HIGH BROIL (cuisson haute au grilloir). La température de cuisson au grilloir est alors réglée automatiquement. LO ou HI (bas ou haut) apparaît sur l'afficheur selon la température de cuisson au grilloir sélectionnée.
Le four et les ampoules intérieures du four s'allument immédiatement et demeurent allumés jusqu'à ce que le four soit éteint.
- 7 Lorsque la cuisson au grilloir est terminée, tournez à OFF (arrêt) le bouton de sélection du mode cuisson et le bouton de sélection de la température.



Fermez la porte. Fermez toujours la porte lorsque vous cuisinez au grilloir.

REMARQUE : un ventilateur de refroidissement se met en marche pour refroidir les pièces internes. Cela est normal et il se peut que le ventilateur continue de fonctionner même après que le four soit éteint.

Le préchauffage n'est pas nécessaire pour la plupart des cuissons au grilloir. Cependant, les languettes de viande ou de poisson fines par exemple, peuvent nécessiter une courte période de préchauffage de 2 à 3 minutes pour permettre à la surface des aliments de brunir tout en cuisant entièrement.

Ne retournez les aliments qu'une seule fois pendant la cuisson au grilloir.

REMARQUE : il n'est pas possible de griller si la sonde de température est branchée. Ne laissez jamais votre sonde à l'intérieur du four lors d'un cycle de cuisson au grilloir.

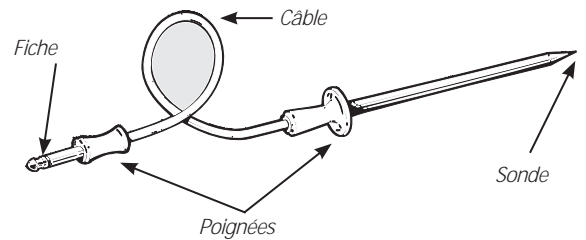
Sonde thermique

Dans le cas de nombreux aliments, plus particulièrement dans celui des rôtis et de la volaille, la température interne de l'aliment constitue le meilleur moyen d'en évaluer la cuisson. Grâce à la sonde thermique, plus besoin de deviner la durée du rôtissage.

Si vous utilisez une autre sonde que celle fournie avec votre four, cela pourrait l'endommager.

Saisissez la sonde par la poignée lorsque vous l'insérez dans la viande et la retirez du four et lorsque vous l'en retirez.

- Pour ne pas endommager votre sonde, n'utilisez pas de pinces pour tirer sur le câble lorsque vous l'enlevez.
- Assurez-vous que l'aliment est complètement décongelé avant d'insérer la sonde, afin d'éviter de la casser.
- Pour éviter tout risque de brûlures, ne débranchez la sonde de la prise que lorsque le four a refroidi.
- Ne laissez jamais votre sonde à l'intérieur du four lors d'un cycle de cuisson au grilloir ou d'autonettoyage.
- Ne laissez pas la sonde dans le four.



La sonde thermique ressemble à une broche pourvue à une extrémité d'une fiche que vous devez brancher dans la prise aménagée dans la voûte du four.

Positionnement correct de la sonde

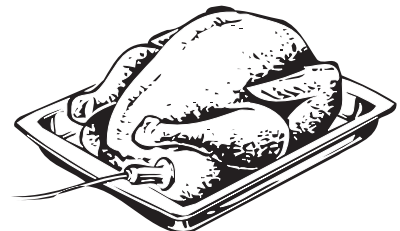
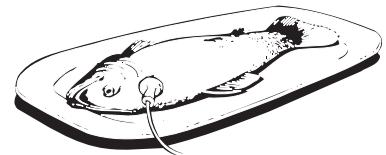
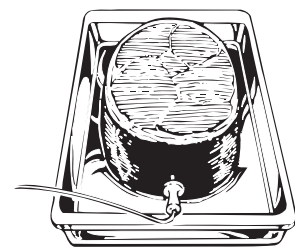
Après avoir préparé la viande et l'avoir placée sur une grille dans une lèchefrite, suivez les étapes ci-dessous pour bien positionner la sonde.

- La pointe de la sonde doit être placée au centre de la partie la plus épaisse de la viande du rôti.
- La sonde doit être insérée complètement dans la viande, jusqu'à la poignée, pour qu'elle puisse indiquer la température correctement. Elle ne devrait pas toucher l'os, le gras ou le cartilage.

Dans le cas d'un rôti désossé, insérez la sonde dans la partie coupée, dans la région la plus charnue. Dans le cas d'un jambon ou d'un gigot avec os, insérez la sonde jusqu'au centre du muscle inférieur le plus gros ou de l'articulation.

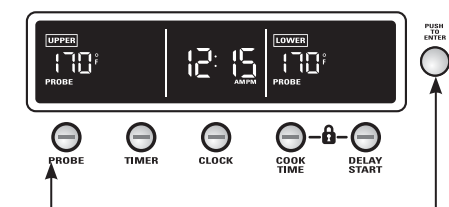
Insérez la sonde au centre du plat, par exemple un pain de viande ou une casserole. Pour la cuisson du poisson, insérez la sonde juste au-dessus des branchies, dans la partie la plus charnue, parallèlement à l'arête.

Insérez la sonde dans la partie la plus charnue de l'intérieur de la cuisse, par le dessous et parallèlement au pilon de la dinde.



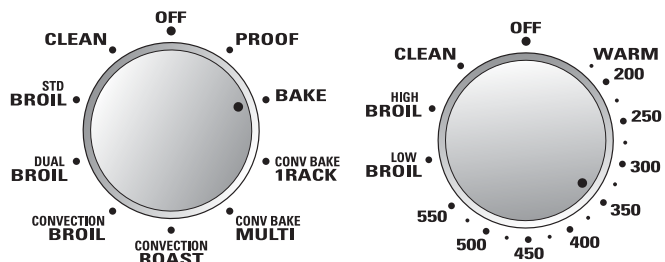
Comment régler un rôtissage avec la sonde thermique

Illustration de l'afficheur du four double



Enfoncez pour sélectionner

Bouton de sélection miniature
Tournez pour sélectionner
Enfoncez pour saisir



Bouton de sélection du mode de cuisson

Bouton de sélection de la température

- 1 Insérez la sonde dans la viande.
- 2 Branchez la sonde dans la prise aménagée dans le four. Assurez-vous qu'elle est bien branchée. Refermez la porte du four.
- 3 Enfoncez le bouton **PROBE** (sonde).

REMARQUE : sur les modèles de four mural double, la commande du four sélectionne automatiquement le four sur lequel la sonde est branchée.

- 4 Tournez le bouton de sélection miniature pour sélectionner et enfoncez pour saisir la température interne désirée pour les aliments ou la viande. Les températures internes minimum et maximum pour la nourriture que vous pouvez saisir sont 100 °F à 200 °F (38 °C à 93 °C).

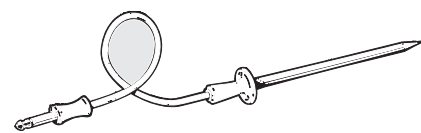
L'indicateur lumineux PROBE (sonde) clignote sur l'afficheur si la sonde est insérée dans la prise mais que vous n'avez pas saisi une température pour celle-ci.

- 5 Tournez le bouton de sélection du mode cuisson à **BAKE** (cuisson). Pour le rôtissage par convection avec la sonde, reportez-vous à la section *Comment régler un rôtissage par convection avec la sonde thermique*.

- 6 À l'aide du bouton de sélection de la température, réglez la température désirée, par incrément de 25 °F, de 200 °F à 550 °F (93 °C à 288 °C).

Le four et les ampoules intérieures du four s'allument immédiatement et demeurent allumés jusqu'à ce que le four soit éteint.

Le ventilateur à convection se met en marche (après un court délai), l'indicateur lumineux **PROBE** (sonde) s'allume et l'afficheur indique 100 °F (38 °C). (La température affichée commence à changer une fois que la température intérieure de la viande atteint 100 °F [38 °C].)



⚠ MISE EN GARDE

Pour éviter tout risque de brûlures, ne débranchez la sonde de la prise que lorsque le four a refroidi. Ne laissez pas la sonde dans le four.

- 7 Une fois que la température intérieure de la viande a atteint la température désirée, la sonde et le four s'éteignent, le mot **END** (fin) apparaît sur l'afficheur et le four émet un signal sonore (bip). (L'indicateur lumineux **PROBE** [sonde] demeure allumé ainsi que la sonde de température.) Pour arrêter le signal sonore (bip), tournez à **OFF** (arrêt) le bouton de sélection du mode cuisson et le bouton de sélection de la température ou enfoncez le bouton de sélection miniature. Utilisez des poignées chaudes pour retirer la sonde des aliments. N'utilisez pas de pinces pour la retirer—vous risquez de l'endommager.

L'indicateur lumineux PROBE (sonde) clignote sur l'afficheur jusqu'à ce que la sonde soit retirée du réceptacle du four.

Pour changer le réglage de la température interne des aliments ou de la viande (sonde) au cours du cycle de rôtissage, enfoncez le bouton **PROBE** (sonde), tournez le bouton de sélection miniature pour sélectionner la nouvelle température et enfoncez pour la saisir.

- Vous pouvez utiliser la minuterie même si vous ne pouvez effectuer une cuisson minutée.

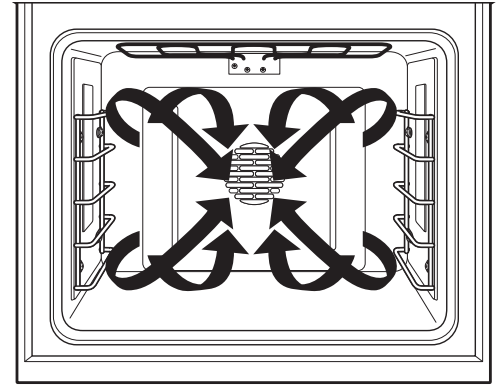
Ventilateur de convection

Dans un four à convection, l'air chaud circule au-dessus, au-dessous et autour des aliments grâce à un ventilateur.

L'air est ainsi distribué uniformément dans toute la cavité du four. Par conséquent, les aliments sont cuits uniformément et dorés à point—et la durée de cuisson est souvent plus courte que dans un four ordinaire.

REMARQUE : Le ventilateur de convection se met en marche et s'arrête pendant la cuisson pour mieux distribuer l'air chaud dans le four.

Le ventilateur du four à convection s'éteint lorsque vous ouvrez la porte du four. Ne laissez PAS la porte ouverte pendant de longues périodes lorsque vous avez programmé une cuisson par convection sinon, vous risquez d'écourter la durée de l'élément chauffant du système à convection.



Casseroles pour la cuisson par convection

Avant d'utiliser votre four à convection, vérifiez s'il y a suffisamment d'espace autour de votre plat de cuisson pour assurer une bonne circulation de l'air dans le four. Si vous utilisez plusieurs plats, laissez de l'espace entre eux. Assurez-vous également qu'ils n'entrent pas en contact avec d'autres casseroles ou avec les parois du four.

Papier et plastique

Vous pouvez utiliser dans le four à convection les contenants de plastique ou de papier résistant à la chaleur, recommandés par leur fabricant pour utilisation dans un four ordinaire. Les plats de cuisson en plastique résistant à une température de 400 °F (200 °C) conviennent également.

REMARQUE : ne laissez aucun papier ou plastique en contact avec l'élément de grillage supérieur.

Métal et verre

Vous pouvez utiliser n'importe quel type de plats de cuisson dans votre four à convection. Toutefois, ce sont les plats en métal qui chauffent le plus rapidement. Ils sont d'ailleurs recommandés pour la cuisson par convection.

Les plats de couleur foncée ou au fini mat assurent une cuisson plus rapide que les plats luisants.

Les plats en verre ou en céramique assurent une cuisson plus lente.

Lorsque vous préparez des biscuits, vous obtiendrez de meilleurs résultats si vous utilisez une plaque à biscuit plate plutôt qu'un moule à bords bas.

Dans le cas de certaines recettes, comme le poulet au four, utilisez un plat dont les parois sont peu élevées. L'air chaud ne peut circuler adéquatement autour de l'aliment lorsque celui-ci est placé dans un plat à parois élevées.

Pour adapter vos recettes

Vous pouvez vous servir de vos recettes préférées dans le four à convection.

Pour cuire à convection, réduisez la température de cuisson de 25 °F (14 °C). Aucun ajustement de température n'est requis pour le rôtissage par convection.

Utilisez le format de casserole recommandé dans la recette.

L'emballage de certains plats principaux ou plats surgelés comportent des directives conçues pour les fours à convection commerciaux. Pour obtenir de bons résultats dans votre four, faites réchauffer le four et réglez la température indiquée sur l'emballage.

Cuisson par convection sur 1 grille

Pour la cuisson par convection sur 1 seule grille, utilisez CONV BAKE 1 RACK et pour de meilleurs résultats, placez la grille à la position B ou C au centre du four. Les temps de cuisson peuvent être inférieurs à ceux prévus; il faut donc vérifier

les aliments plus tôt que ce qui est indiqué sur le paquet afin de s'assurer de ne pas trop cuire. Idéal pour préparer avec succès de larges casseroles et des lasagnes.

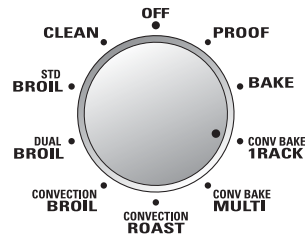
Cuisson à convection avec plusieurs grilles

Parce que l'air chaud circule uniformément dans le four, la cuisson des aliments sur plusieurs grilles à la fois donne d'excellents résultats.

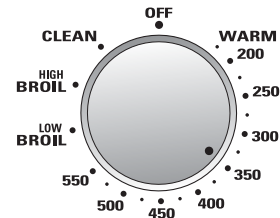
Le temps requis pour la cuisson sur plusieurs grilles pourrait augmenter un peu pour certains aliments, mais le temps d'ensemble est conservé puisque deux à trois fois plus d'aliments peuvent être préparés en même temps.

Vous obtiendrez d'excellents résultats en cuisant à convection avec plusieurs grilles les biscuits, les muffins, les petits gâteaux et les petits pains.

Comment régler une cuisson par convection



Bouton de sélection du mode de cuisson



Bouton de sélection de la température

La cuisson par convection est idéale pour le brunissage uniforme d'aliments cuits sur une ou plusieurs grilles.

Lorsque réglé pour la cuisson par convection, l'élément de cuisson arrière et le ventilateur fonctionnent dès que le four commence à chauffer.

- 1 Tournez le bouton de sélection du mode cuisson à CONVECTION BAKE/1 RACK pour la cuisson par convection sur 1 grille. Ce mode est utilisé pour faire cuire les aliments sur une seule grille dans le four à convection.

Tournez le bouton de sélection du mode cuisson à CONVECTION BAKE/MULTI (Convection Bake Multi mode) pour la cuisson par convection sur plusieurs grilles. Ce mode sert à préparer les aliments sur plus d'une grille (soit 2, 3 ou plus) en même temps pour la cuisson par convection. Reportez-vous à la section *Cuisson par convection sur plusieurs grilles* pour plus d'information.

Type d'aliment	Position de la grille
Biscuits (1 grille)	B ou C
Biscuits (2 grilles)	A & C ou B & D
Muffins et petits gâteaux (1 grille)	B ou C
Muffins et petits gâteaux (2 grilles)	A & C ou B & D
Biscuits (1 grille)	B ou C
Biscuits (3 grilles)	A, C & E
2 gâteaux à étages (1 grille)	B ou C
4 gâteaux à étages (2 grilles)	A & C ou B & D
1 tarte congelée (1 grille)	B ou C (sur plaque à pâtisserie)
2 tartes congelées (2 grilles)	A & C ou B & D (sur plaque à pâtisserie)
Casseroles (1 grille)	B ou C
Pizza congelée de 30 cm (12 po) (1 grille)	B ou C
2 Pizzas congelées de 30 cm (12 po) (2 grilles)	A & C ou B & D
Rôtissage (tranches de viande épaisses, dindons, etc.)	A, B ou C

REMARQUE : ces positions de grilles sont suggérées; utilisez celles qui donnent les meilleurs résultats. Les grilles A et D sont une autre suggestion.

- 2 À l'aide du bouton de sélection de la température, réglez la température désirée, par incrément de 25 °F, de 200 °F à 550 °F (93 °C à 288 °C).

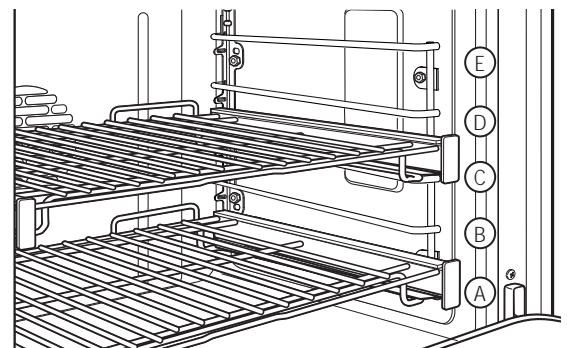
Le four et les ampoules intérieures du four s'allument immédiatement et demeurent allumés jusqu'à ce que le four soit éteint.

Le ventilateur à convection se met en marche (après un court délai), l'indicateur lumineux PREHEAT (préchauffage) s'allume et l'afficheur indique 100 °F (38 °C). (La température affichée commence à changer une fois que la température du four a atteint 100 °F [38 °C].) La commande émet un signal sonore (bip) une fois que le four est préchauffé, ce qui prend environ de 10 à 15 minutes. L'indicateur lumineux PREHEAT (préchauffage) s'éteint et l'afficheur indique la température de réglage.

Les aliments peuvent être placés dans le four une fois que le voyant lumineux PREHEAT (préchauffage) s'est éteint.

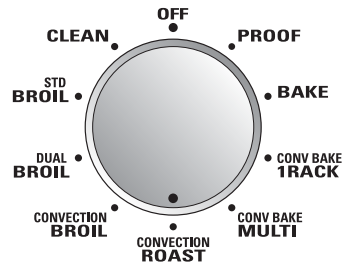
- 3 Vérifiez si les aliments sont prêts au temps minimum prévu dans la recette. Faites cuire plus longtemps au besoin.
- 4 Tournez à OFF (arrêt) le bouton de sélection du mode cuisson et le bouton de sélection de la température une fois la cuisson par convection terminée.

REMARQUE : un ventilateur de refroidissement se met en marche pour refroidir les pièces internes. Cela est normal et il se peut que le ventilateur continue de fonctionner même après que le four soit éteint.

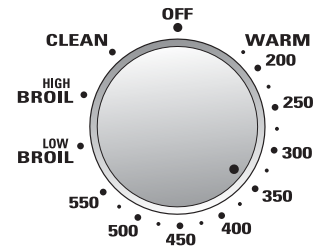


Le four possède 5 positions de grille. Reportez-vous à la section *Grilles de four à extension complète* pour les instructions sur l'utilisation, l'enlèvement et la remise en place des grilles.

Comment régler un rôtissage par convection



Bouton de sélection du mode de cuisson



Bouton de sélection de la température

Le rôtissage par convection convient pour les grosses pièces de viande tendre, à découvert.

- 1 Tournez le bouton de sélection du mode cuisson à CONVECTION ROAST (rôtissage par convection).
- 2 À l'aide du bouton de sélection de la température, réglez la température désirée, par incrément de 25 °F, de 200 °F à 550 °F (93 °C à 288 °C).

Le four et les ampoules intérieures du four s'allument immédiatement et demeurent allumés jusqu'à ce que le four soit éteint.

Le ventilateur à convection se met en marche (après un court délai), l'indicateur lumineux PREHEAT (préchauffage) s'allume et l'afficheur indique 100 °F (38 °C). (La température affichée commence à changer une fois que la température du four a atteint 100 °F [38 °C].) La commande émet un signal sonore

(bip) une fois que le four est préchauffé, ce qui prend environ de 10 à 15 minutes. L'indicateur lumineux PREHEAT (préchauffage) s'éteint et l'afficheur indique la température de réglage.

- 3 Vérifiez si les aliments sont prêts au temps minimum indiqué dans la recette. Faites cuire plus longtemps au besoin.
- 4 Tournez le bouton de sélection du mode cuisson et le bouton de sélection de la température à OFF (arrêt) une fois la cuisson terminée.

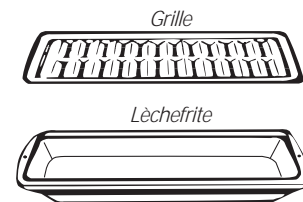
REMARQUE : un ventilateur de refroidissement se met en marche pour refroidir les pièces internes. Cela est normal et il se peut que le ventilateur continue à fonctionner même après que le four soit éteint.

Conseils pour le rôtissage par convection

En utilisant la lèchefrite et sa grille pour rôtir, l'air réchauffé circule au-dessus, au-dessous et autour des aliments pendant le rôtissage. L'air réchauffé enferme les jus rapidement, ce qui donne un intérieur tendre et juteux tout en créant un extérieur d'un brun doré.

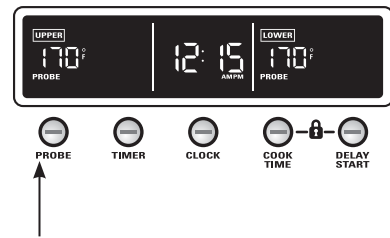
Lorsque vous faites rôtir par convection, il est important d'utiliser la lèchefrite et sa grille. La lèchefrite sert à recueillir les écoulements de gras et la grille sert à empêcher les éclaboussures de gras et à permettre à l'air réchauffé de circuler sous la viande et d'ainsi augmenter le brunissage sur le dessous de la viande ou de la volaille.

- Placez la grille sur la lèchefrite.



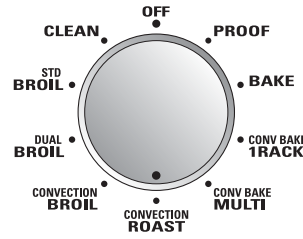
Comment régler un rôtissage par convection avec la sonde thermique

Illustration de l'afficheur du four double.

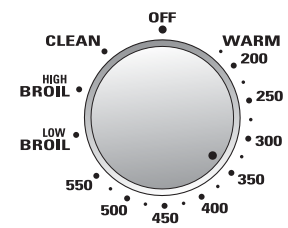


Enfoncez pour sélectionner

Bouton de sélection miniature
Tournez pour sélectionner
Enfoncez pour saisir



Bouton de sélection du mode de cuisson



Bouton de sélection de la température

Reportez-vous à la section *Conseils pour le rôtissage par convection*.

- 1 Placez la grille à la position désirée et insérez la sonde dans la viande.
- 2 Branchez la sonde dans la prise aménagée dans le four. Assurez-vous qu'elle est bien enfoncée dans la prise. Fermez la porte du four.
- 3 Enfoncez le bouton **PROBE** (sonde).

REMARQUE : sur les modèles de four mural double, la commande du four sélectionne automatiquement le four sur lequel la sonde est branchée.

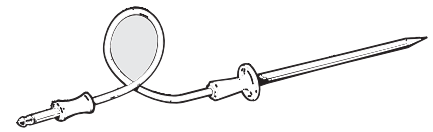
- 4 Tournez le bouton de sélection miniature pour sélectionner et enfoncez pour saisir la température interne désirée pour les aliments ou la viande. Les températures internes minimum et maximum pour la nourriture que vous pouvez saisir sont 100 °F à 200 °F (38 °C à 93 °C).

L'indicateur lumineux PROBE (sonde) clignote sur l'afficheur si la sonde est insérée dans la prise mais que vous n'avez pas saisi une température pour celle-ci.

- 5 Tournez le bouton de sélection du mode cuisson à CONVECTION ROAST (rôtissage par convection).
- 6 À l'aide du bouton de sélection de la température, réglez la température désirée, par incrément de 25 °F, de 200 °F à 550 °F (93 °C à 288 °C).

Le four et les ampoules intérieures du four s'allument immédiatement et demeurent allumés jusqu'à ce que le four soit éteint.

Le ventilateur à convection se met en marche (après un court délai), l'indicateur lumineux PROBE (sonde) s'allume et l'afficheur indique 100 °F (38 °C). (La température affichée commence à changer une fois que la température intérieure de la viande atteint 100 °F [38 °C].)



⚠ MISE EN GARDE :

Pour éviter tout risque de brûlures, ne débranchez la sonde de la prise que lorsque le four a refroidi. Ne laissez pas la sonde dans le four.

- 7 Une fois que la température intérieure de la viande a atteint la température désirée, la sonde et le four s'éteignent, le mot END (fin) apparaît sur l'afficheur et le four émet un signal sonore (bip). (L'indicateur lumineux PROBE [sonde] demeure allumé ainsi que la sonde de température.) Pour arrêter le signal sonore (bip), tournez à OFF (arrêt) le bouton de sélection du mode cuisson et le bouton de sélection de la température ou enfoncez le bouton de sélection miniature. Utilisez des poignées chaudes pour retirer la sonde des aliments. N'utilisez pas de pinces pour la retirer—vous risquez de l'endommager.

L'indicateur lumineux PROBE (sonde) clignote sur l'afficheur jusqu'à ce que la sonde soit retirée du réceptacle du four.

Pour changer le réglage de la température interne des aliments ou de la viande (sonde) au cours du cycle de rôtissage, enfoncez le bouton **PROBE** (sonde), tournez le bouton de sélection miniature pour sélectionner la nouvelle température et enfoncez pour la saisir.

- Si vous retirez la sonde de l'aliment avant que la température finale ait été atteinte, une tonalité se fait entendre et l'écran d'affichage clignote jusqu'à ce que vous enleviez la sonde du four.
- Vous pouvez utiliser la minuterie même si vous ne pouvez effectuer une cuisson minutée.

Rôtissage par convection

Four mural

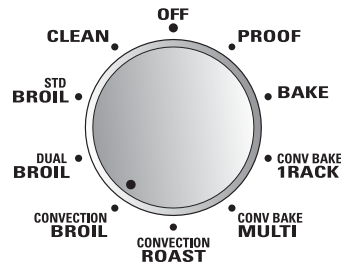
Guide de rôtissage par convection

Viande		Minutes/lb	Temp. du four	Temp. interne	
Boeuf	Côtes, entrecôte, haut de surlonge (3 à 5 lb [1,4 à 2,3 kg])	Saignant À point Bien cuit	20–24 24–28 28–32	325 °F (163 °C) 325 °F (163 °C) 325 °F (163 °C)	140 °F (60 °C)† 160 °F (71 °C) 170 °F (82 °C)
	Filet	Saignant À point	10–14 14–18	325 °F (163 °C) 325 °F (163 °C)	140 °F (60 °C)† 160 °F (71 °C)
Porc	Désossé ou non (3 à 5 lb [1,4 à 2,3 kg])		23–27	325 °F (163 °C)	170 °F (82 °C)
	Côtelettes (1/2 à 1 po [1,3 à 2,5 cm] d'épaisseur)	2 côtelettes	30–35 au total	325 °F (163 °C)	170 °F (82 °C)
		4 côtelettes	35–40 au total	325 °F (163 °C)	170 °F (82 °C)
	6 côtelettes	40–45 au total	325 °F (163 °C)	170 °F (82 °C)	
Jambon	En conserve, soc, jarret (3 à 5 lb [1,4 à 2,3 kg], cuit)		14–18	325 °F (163 °C)	140 °F (60 °C)
Agneau	Désossé ou non (3 à 5 lb [1,4 à 2,3 kg])	À point	17–20	325 °F (163 °C)	160 °F (71 °C)
		Bien cuit	20–24	325 °F (163 °C)	170 °F (82 °C)
Fruits de mer	Poisson, entier (3 à 5 lb [1,4 à 2,3 kg])		30–40 au total	400 °F (204 °C)	
	Queues de homard (6 à 8 oz [0,17 à 0,22 kg] ch.)		20–25 au total	350 °F (177 °C)	
Volaille	Poulet entier (2½ à 3½ lb [1,1 à 1,6 kg])		24–26	350 °F (177 °C)	180°–185 °F (82°–85 °C)
	Poulets de Cornouailles non farcis (1 à 1½ lb [0,45 à 0,7 kg])		50–55 au total	350 °F (177 °C)	180°–185 °F (82°–85 °C)
		Farcis (1 à 1½ lb [0,45 à 0,7 kg])		55–60 au total	350 °F (177 °C)
	Canard (4 à 5 lb [1,8 à 2,3 kg])		24–26	325 °F (163 °C)	180°–185 °F (82°–85 °C)
	Dinde, entière*				
Non farcie (10 à 16 lb [4,5 à 7,3 kg])		8–11	325 °F (163 °C)	180°–185 °F (82°–85 °C)	
Non farcie (18 à 24 lb [8,2 à 10,9 kg])		7–10	325 °F (163 °C)	180°–185 °F (82°–85 °C)	
Poitrine de dinde (4 à 6 lb [1,8 à 2,7 kg])		16–19	325 °F (163 °C)	170 °F (82 °C)	

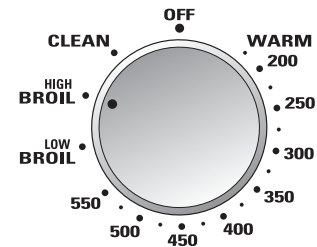
* Il faut généralement allonger la durée de rôtissage de 30 à 45 minutes pour la volaille farcie. Protégez les pilons et la poitrine avec du papier d'aluminium pour éviter un brunissage excessif et le dessèchement de la peau.

† Le ministère de l'Agriculture des États-Unis fait la mise en garde suivante : «Même si la consommation du boeuf saignant est très répandue, il faut savoir que lorsque la température interne de la viande atteint seulement 140 °F (60 °C), certains micro-organismes nuisibles pour la santé ne sont pas détruits.» (Source : *Safe Food Book, Your Kitchen Guide*, USDA, rév. juin 1985.)

Comment régler le four pour la cuisson au grilloir par convection



Bouton de sélection du mode de cuisson



Bouton de sélection de la température

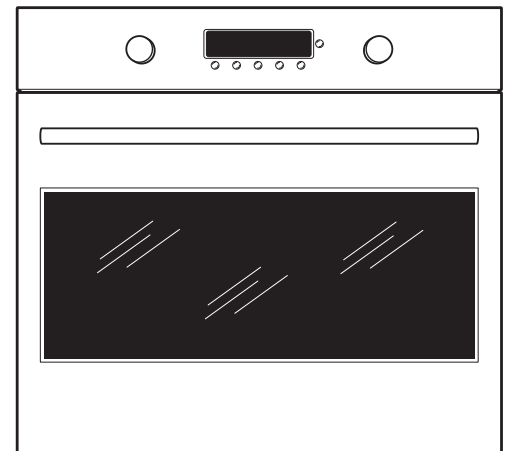
La cuisson au grilloir par convection convient pour la cuisson au grilloir du poisson et des coupes de viande plus petites. Lorsque le four est réglé pour la cuisson au grilloir par convection, les deux éléments du haut se mettent en marche lorsque la cuisson est lancée.

- 1 Si la pièce de viande comporte du gras ou du cartilage sur le pourtour, faites des entailles verticales dans les deux à environ 5 cm (2 po) d'intervalle. Si désiré, le gras peut être enlevé, pour ne laisser qu'une couche de 0,3 cm (1/8 po).
- 2 Placez la viande ou le poisson sur la lèchefrite et sa grille. Utilisez toujours la grille pour que tout le gras tombe dans la lèchefrite; sinon, les jus pourraient devenir suffisamment chauds pour s'enflammer.
- 3 Placez la grille dans le four.
- 4 Fermez la porte. **Fermez toujours la porte lorsque vous cuisinez au grilloir.**
- 5 Tournez le bouton de sélection du mode cuisson à CONVECTION BROIL (cuisson au grilloir par convection).
- 6 Tournez le bouton de sélection de la température à LOW BROIL (cuisson basse au grilloir) ou HIGH BROIL (cuisson haute au grilloir). La température de cuisson au grilloir est alors réglée automatiquement. LO ou HI (bas ou haut) apparaît sur l'afficheur selon la température de cuisson au grilloir sélectionnée.

Le four et les ampoules intérieures du four s'allument immédiatement et demeurent allumés jusqu'à ce que le four soit éteint.

Le ventilateur à convection se met en marche (après un court délai).

- 7 Lorsque la cuisson au grilloir est terminée, tournez à OFF (arrêt) le bouton de sélection du mode cuisson et le bouton de sélection de la température.



Fermez la porte. Fermez toujours la porte lorsque vous cuisinez au grilloir.

REMARQUE : un ventilateur de refroidissement se met en marche pour refroidir les pièces internes. Cela est normal et il se peut que le ventilateur continue de fonctionner même après que le four soit éteint.

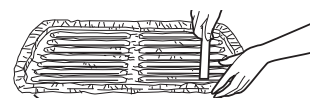
Le préchauffage n'est pas nécessaire pour la plupart des cuissons au grilloir. Cependant, les aliments qui cuisent rapidement, les languettes de viande ou de poisson fines par exemple, peuvent nécessiter une courte période de préchauffage de 2 à 3 minutes pour permettre à la surface des aliments de brunir tout en cuisant entièrement.

Ne retournez les aliments qu'une seule fois pendant la cuisson au grilloir.

REMARQUE : Il est impossible d'utiliser le mode de cuisson au grilloir par convection si la sonde de température est branchée. Ne laissez jamais votre sonde à l'intérieur du four lors d'un cycle de cuisson au grilloir.

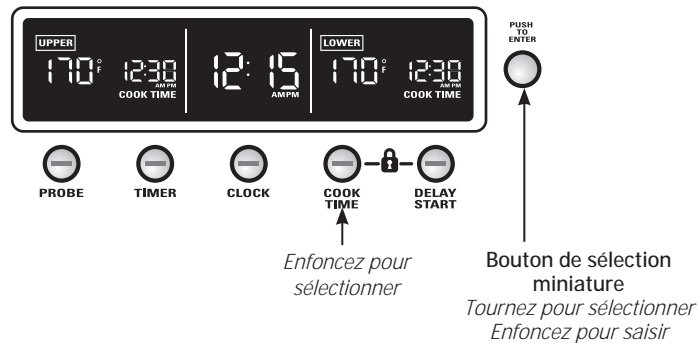
Papier d'aluminium

Vous pouvez utiliser du papier d'aluminium comme doublure pour la lèchefrite et sa grille. Par contre, vous devez placer le papier bien ajusté sur la grille et découper des fentes semblables à celles de la grille.



Cuisson à minuterie (mise en marche immédiate et arrêt automatique)

Illustration de l'afficheur du four double.



La cuisson à minuterie vous permet de mettre le four en marche immédiatement, de faire cuire pendant la période de temps sélectionnée et de programmer l'arrêt automatique.

Afin de programmer la mise en marche immédiate et l'arrêt automatique du four :

REMARQUE : avant de commencer, assurez-vous que l'horloge affiche la bonne heure.

Afin d'éviter de vous brûler, placez les grilles à la bonne position avant de mettre le four en marche.

- 1 Tournez le bouton de sélection du mode cuisson à la fonction de cuisson désirée.

REMARQUE : la cuisson à minuterie ne peut être utilisée pour les modes Broil (cuisson au grilloir) et Proof (levage).

- 2 À l'aide du bouton de sélection de la température, réglez la température désirée, par incrément de 25 °F, de 200 °F à 550 °F (93 °C à 288 °C).

Le four et les ampoules intérieures du four s'allument immédiatement et demeurent allumés jusqu'à ce que le four soit éteint.

Le ventilateur à convection se met en marche (après un court délai), l'indicateur lumineux PREHEAT (préchauffage) s'allume et l'afficheur indique 100 °F (38 °C). (La température affichée commence à changer une fois que la température du four a atteint 100 °F

[38 °C].) La commande émet un signal sonore (bip) une fois que le four est préchauffé, ce qui prend environ de 10 à 15 minutes. L'indicateur lumineux PREHEAT (préchauffage) s'éteint et l'afficheur indique la température de réglage.

Les aliments peuvent être placés dans le four une fois que le voyant lumineux PREHEAT (préchauffage) s'est éteint.

- 3 Enfoncez le bouton **COOK TIME** (temps de cuisson).

REMARQUE : si votre recette exige que vous préchauffiez le four, vous devrez peut-être augmenter le temps de cuisson (environ 10 à 15 minutes).

- 4 Tournez le bouton de sélection miniature pour faire une sélection et enfoncez pour saisir le temps de cuisson désiré. (Le temps de cuisson maximal est de 9 heures et 59 minutes. Le temps de cuisson minimal est de 1 minute.)

L'afficheur indique COOK TIME (temps de cuisson) et le décompte du temps de cuisson.

REMARQUE : le décompte du temps de cuisson commence immédiatement.

Le four continue à cuire pour la période de temps programmée, puis s'éteint automatiquement.

Pour rappeler le temps de cuisson, enfoncez le bouton **COOK TIME** (temps de cuisson). Pour le changer, tournez et enfoncez le bouton de sélection miniature.

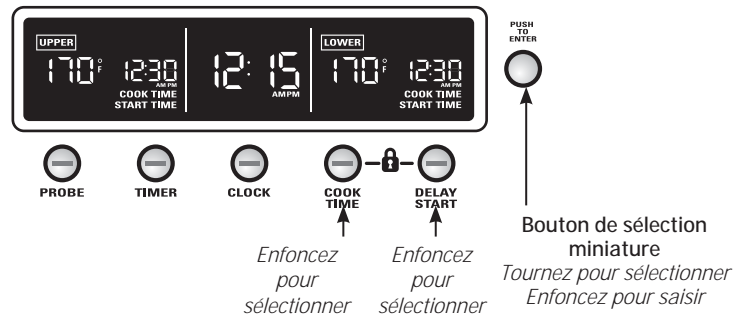
- 5 Lorsque la cuisson à minuterie a pris fin, le four s'éteint, 0:00 s'affiche en succession rapide, le mot END (fin) apparaît sur l'afficheur et la commande du four émet un signal sonore (bip). Pour arrêter le signal sonore (bip) de rappel, tournez à OFF (arrêt) le bouton de sélection du mode cuisson et le bouton de sélection de la température.

REMARQUE :

- Le réglage de température WARM (chaud) (l'afficheur indiquera 175 °F), offert sur ce four, permet de garder les aliments chauds. Les aliments gardés plus de deux heures au four à ces basses températures pourraient ne plus être propres à la consommation.
- Ne laissez jamais des aliments comme des produits laitiers, du poisson, de la farce, de la volaille et du porc reposer pendant plus d'une heure avant ou après la cuisson. Lorsque ces aliments sont laissés à la température de la pièce, cela favorise la prolifération de bactéries nocives.

Cuisson à minuterie (mise en marche différée et arrêt automatique)

Illustration de l'afficheur du four double.



La cuisson à minuterie avec DELAY START (démarrage différé) vous permet de mettre le four en marche à l'heure que vous avez choisie, de faire cuire durant la période sélectionnée et de programmer l'arrêt automatique. La fonction DELAY START (démarrage différé) ne peut être utilisée avec la fonction Sabbath.

Pour différer le début de la cuisson :

REMARQUE : avant de commencer, assurez-vous que l'horloge affiche la bonne heure.

Afin d'éviter de vous brûler, placez les grilles à la bonne position avant de mettre le four en marche.

REMARQUE : la cuisson à minuterie ne peut être utilisée pour les modes Broil (cuisson au grilloir) et Proof (levage).

- 1 Enfonchez le bouton **DELAY START** (démarrage différé). L'heure de la journée apparaît en succession rapide sur l'afficheur.
Pour les modèles de four double, enfonchez le bouton DELAY START (démarrage différé) une fois pour régler le four supérieur et deux fois pour régler le four inférieur.

- 2 Tournez le bouton de sélection miniature pour faire une sélection et enfonchez pour saisir l'heure de la journée à laquelle vous désirez que débute la cuisson.

- 3 Enfonchez le bouton **COOK TIME** (temps de cuisson).

REMARQUE : si votre recette exige que vous préchauffiez le four, vous devrez peut-être augmenter le temps de cuisson (environ 10 à 15 minutes).

- 4 Tournez le bouton de sélection miniature pour faire une sélection et enfonchez pour saisir le temps de cuisson désiré. (Le temps de cuisson maximal est de 9 heures et 59 minutes. Le temps de cuisson minimal est de 1 minute.)
- 5 Tournez le bouton de sélection du mode cuisson à la fonction de cuisson désirée.
- 6 À l'aide du bouton de sélection de la température, réglez la température désirée, par incrément de 25 °F, de 200 °F à 550 °F (93 °C à 288 °C).

Pour rappeler l'heure de démarrage, enfonchez le bouton **DELAY START** (démarrage différé). Pour le changer, tournez et enfonchez le bouton de sélection

miniature. Pour rappeler le temps de cuisson, enfonchez le bouton **COOK TIME** (temps de cuisson). Pour le changer, tournez et enfonchez le bouton de sélection miniature.

L'afficheur affiche à nouveau l'heure de la journée et START TIME (heure de démarrage) pour indiquer que le four est réglé. Une fois l'heure de démarrage atteinte, le four et les ampoules de four intérieures s'allument.

REMARQUE : le décompte du temps de cuisson commence lorsque l'heure de démarrage différé est atteinte. L'afficheur indique COOK TIME (temps de cuisson) et le décompte du temps de cuisson.

Le four continue à cuire pour la période de temps programmée, puis s'éteint automatiquement.

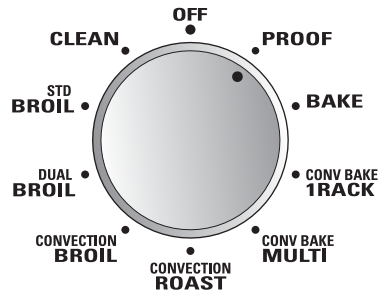
- 7 Lorsque la cuisson à minuterie a pris fin, le four s'éteint, 0:00 s'affiche en succession rapide, le mot END (fin) apparaît sur l'afficheur et la commande du four émet un signal sonore (bip). Pour arrêter le signal sonore (bip) de rappel, tournez à OFF (arrêt) le bouton de sélection du mode cuisson et le bouton de sélection de la température.

Pour les modèles de four double, vous pouvez utiliser la cuisson à minuterie dans les deux fours en même temps. Tournez le bouton de sélection du mode cuisson et le bouton de sélection de la température du deuxième four aux réglages désirés. Enfonchez le bouton COOK TIME (temps de cuisson), tournez et enfonchez le bouton de sélection miniature pour saisir la durée de cuisson. Enfonchez le bouton DELAY START (démarrage différé), tournez et enfonchez le bouton de sélection miniature pour saisir l'heure.

REMARQUE :

- Le réglage de température WARM (chaud) (l'afficheur indiquera 175 °F), offert sur ce four, permet de garder les aliments chauds. Les aliments gardés plus de deux heures au four à ces basses températures pourraient ne plus être propres à la consommation.
- Ne laissez jamais des aliments comme des produits laitiers, du poisson, de la farce, de la volaille et du porc reposer pendant plus d'une heure avant ou après la cuisson. Lorsque ces aliments sont laissés à la température de la pièce, cela favorise la prolifération de bactéries nocives.

Comment régler le four pour la fermentation



Bouton de sélection du mode de cuisson

La fonction de fermentation maintient une chaleur suffisante pour faire lever les produits à la levure.

Placez la pâte dans un plat couvert au four sur la grille A.

- 1 Tournez le bouton de sélection du mode cuisson à PROOF (levage). L'afficheur indique PrF (levage). Le levage de la pâte ne fonctionne pas lorsque la température du four dépasse 125 °F (52 °C). L'afficheur indique alors « too hot » (trop chaud). Laissez le four refroidir.

REMARQUE : Pour de meilleurs résultats, recouvrez la pâte d'un linge ou d'une pellicule plastique enduite d'une matière grasseuse (il peut être nécessaire de fixer la pellicule plastique sous le contenant afin que le ventilateur du four ne la souffle pas).

La fonction de fermentation procure automatiquement la température optimale demandée par le processus de fermentation; c'est pourquoi le bouton de sélection de la température n'affecte pas la température de levage de la pâte.

Les ampoules intérieures du four s'allument et s'éteignent en fonction du cycle jusqu'à ce que le bouton de sélection du mode cuisson du four ait été tourné à OFF (arrêt).

- 2 Vous pouvez régler la fonction TIMER (minuterie) pour le temps de levage minimal, afin de vous rappeler de vérifier la pâte.
 - 3 Une fois le levage terminé, tournez le bouton de sélection du mode de cuisson à OFF (arrêt).
- Pour éviter d'abaisser la température du four et ainsi augmenter la durée de la fermentation, n'ouvrez pas la porte du four inutilement.
 - Vérifiez le pain sans trop tarder pour éviter une fermentation excessive.

REMARQUE : N'utilisez pas le mode de fermentation pour réchauffer les aliments ou les garder au chaud. La température de fermentation du four n'est pas suffisamment élevée pour garder les aliments à des températures sécuritaires.

Le réglage de température WARM (chaud) de ce four permet de garder chaud les aliments cuits. Les aliments gardés plus de deux heures dans le four à ces basses températures pourraient ne plus être propres à la consommation.

Avant l'autonettoyage

Pour que le programme d'autonettoyage fonctionne adéquatement, il faut que la porte du four soit fermée et que toutes les commandes soient réglées correctement.

Nous vous recommandons d'assurer une ventilation adéquate en ouvrant une fenêtre ou en utilisant un ventilateur ou une hotte de cuisine au cours du premier autonettoyage.

- Enlevez la saleté du cadre autour de la porte de four et à l'extérieur du joint de porte. Ces parties doivent être nettoyées à la main.
- **Ne nettoyez pas le joint de porte à la main car cela pourrait l'endommager.**
- Ramassez tout excès de graisse et autre déversement de nourriture à l'aide d'un chiffon humide. Cela permet de réduire au minimum la quantité de fumée produite lors du cycle d'autonettoyage.
- Retirez toutes les casseroles, la lèchefrite et sa grille, la sonde et tout papier aluminium du four.
- Vous pouvez laisser les grilles dans le four au cours du cycle d'autonettoyage.
- Assurez-vous que la lentille de l'ampoule de four et le cadre de la lentille sont bien en place.
- N'utilisez pas de produits nettoyants, d'abrasifs ou de protecteurs de four commerciaux à l'intérieur ou à proximité du four autonettoyant.

IMPORTANT : certains oiseaux sont extrêmement sensibles à la fumée produite pendant le programme d'autonettoyage de n'importe quel four. Placez les oiseaux dans une autre pièce bien aérée.

REMARQUE : le cycle d'autonettoyage ne fonctionne pas si la sonde de température est branchée ou si la fonction Sabbath est programmée.

⚠ MISE EN GARDE : Ne mettez jamais d'ustensile de cuisine ou tout autre article en bas du four. Il y a un élément de chauffage sous le plancher du four. En plaçant des articles en bas du four, vous risquez d'entraîner une surchauffe du four, qui peut causer des dommages au four et risque d'endommager ou de brûler les armoires de votre cuisine.

Sur les modèles de four mural double, il vous est possible de régler un cycle de nettoyage pour les deux fours en même temps. Le dernier four à être réglé retardera automatiquement le début de son cycle jusqu'à la fin du cycle de nettoyage du premier four.

Sur les modèles de four mural double, il vous est possible d'utiliser la cuisson à minuterie pour un four et l'autonettoyage pour l'autre en même temps.

Comment régler le four pour le nettoyage

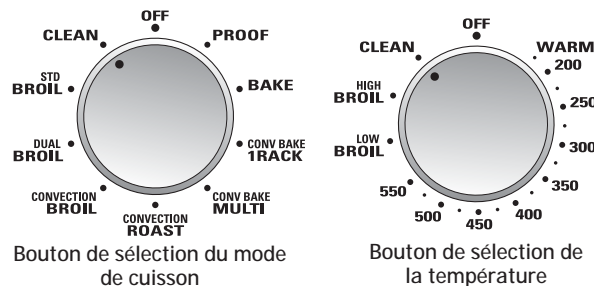
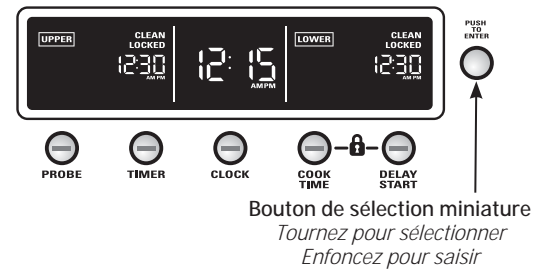


Illustration de l'afficheur du four double.



- 1 Tournez le bouton de sélection du mode de cuisson à CLEAN (nettoyage).
- 2 Tournez le bouton de sélection de la température à CLEAN (nettoyage).

Le four est pré-réglé pour effectuer l'autonettoyage normal sur 5 heures. (Si un temps d'autonettoyage de moins de 5 heures est requis, tournez le bouton de sélection miniature au temps d'autonettoyage désiré.) Enfoncez pour saisir le temps.

Vous pouvez changer le temps d'autonettoyage pour une durée allant de 3 à 5 heures, par incrément de 15 minutes, en fonction de la quantité de saleté dans le four.

REMARQUE : le bouton de sélection miniature doit être enfoncé pour que le cycle d'autonettoyage commence.

Si votre four est branché à une source d'alimentation électrique de 208 V, nous recommandons que le temps d'autonettoyage soit réglé à 5 heures.

Si le mot LOCKED (verrouillé) apparaît en succession rapide sur l'afficheur, le cycle d'autonettoyage a été sélectionné mais la porte n'est pas fermée. Fermez la porte du four.

L'afficheur indique CLEAN (nettoyage) et le temps

d'autonettoyage restant.

Une fois que le four commence à chauffer pour atteindre la température d'autonettoyage, la porte se verrouille automatiquement. Le voyant lumineux LOCKED (verrouillé) s'allume. L'afficheur indique le temps d'autonettoyage restant. Il n'est pas possible d'ouvrir la porte du four avant que la température ne tombe sous la température de verrouillage et avant que le voyant lumineux LOCKED (verrouillé) ne s'éteigne.

- 3 Une fois le cycle d'autonettoyage terminé et le four refroidi, l'afficheur indique END (fin) et le voyant lumineux LOCKED (verrouillé) s'éteint. Tournez à OFF (arrêt) le bouton de sélection du mode de cuisson et le bouton de sélection de la température.

Pour arrêter un cycle d'autonettoyage, tournez à OFF (arrêt) le bouton de sélection du mode de cuisson et le bouton de sélection de la température. Quand le voyant lumineux LOCKED (verrouillé) s'éteint pour indiquer que la température du four est descendue sous la température de verrouillage, vous pouvez ouvrir la porte.

Four autonettoyant

Four mural

Pour différer le début de l'autonettoyage

Illustration de l'afficheur du four double.

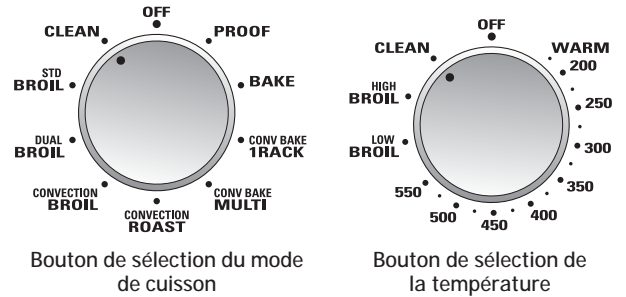


PROBE
TIMER
CLOCK
COOK TIME
DELAY START



Enfoncez pour sélectionner

Bouton de sélection miniature
Tournez pour sélectionner
Enfoncez pour saisir



Bouton de sélection du mode de cuisson

Bouton de sélection de la température

Vous pouvez régler le démarrage différé de l'autonettoyage du four, la durée d'autonettoyage et l'arrêt automatique.

REMARQUE : avant de commencer, assurez-vous que l'horloge affiche la bonne heure.

- 1 Tournez le bouton de sélection du mode de cuisson à CLEAN (nettoyage).
- 2 Tournez le bouton de sélection de la température à CLEAN (nettoyage).
Le four est préréglé pour effectuer l'autonettoyage normal sur 5 heures. (Si un temps d'autonettoyage de moins de 5 heures est requis, tournez le bouton de sélection miniature au temps d'autonettoyage désiré.)
Enfoncez pour saisir le temps.

Vous pouvez changer le temps d'autonettoyage pour une durée allant de 3 à 5 heures, par incrément de 15 minutes, en fonction de la quantité de saleté dans le four.

REMARQUE : le bouton de sélection miniature doit être enfoncé pour que le cycle d'autonettoyage commence.

- 3 Enfoncez le bouton **DELAY START** (démarrage différé). L'heure courante apparaît en succession rapide sur l'afficheur.

Pour les modèles de four double, enfoncez le bouton DELAY START (démarrage différé) une fois pour régler le four supérieur et deux fois pour régler le four inférieur.

- 4 Tournez le bouton de sélection miniature pour faire une sélection et enfoncez pour saisir l'heure à laquelle vous désirez que l'autonettoyage du four soit mis en marche.

REMARQUE : le bouton de sélection miniature doit être enfoncé pour que le cycle d'autonettoyage soit réglé afin de commencer à l'heure de la journée saisie.

Le four est maintenant prêt à démarrer à l'heure de la journée à laquelle vous l'avez réglé et à s'autonettoyer pour la période de temps choisie.

Si votre four est branché à une source d'alimentation électrique de 208 V, nous recommandons que le temps d'autonettoyage soit réglé à 5 heures.

Si le mot LOCKED (verrouillé) apparaît en succession rapide sur l'afficheur, le cycle d'autonettoyage a été sélectionné mais la porte n'est pas fermée. Fermez la porte du four.

Pour rappeler l'heure de démarrage, enfoncez le bouton DELAY START. Pour le changer, tournez et enfoncez le bouton de sélection miniature.

L'afficheur indique START TIME (heure de démarrage). Une fois que l'heure de démarrage est atteinte, le four se met en marche automatiquement.

L'afficheur indique CLEAN (nettoyage) et le temps d'autonettoyage.

Une fois que le four commence à chauffer pour atteindre la température d'autonettoyage, la porte se verrouille automatiquement. Le voyant lumineux LOCKED (verrouillé) s'allume.

L'afficheur indique le temps d'autonettoyage restant. Il n'est pas possible d'ouvrir la porte du four avant que la température ne tombe sous la température de verrouillage et avant que le voyant lumineux LOCKED (verrouillé) ne s'éteigne.

- 5 Une fois le cycle d'autonettoyage terminé et le four refroidi, l'afficheur indique END (fin) et le voyant lumineux LOCKED (verrouillé) s'éteint. Tournez à OFF (arrêt) le bouton de sélection du mode de cuisson et le bouton de sélection de la température.

Pour arrêter un cycle d'autonettoyage, tournez à OFF (arrêt) le bouton de sélection du mode de cuisson et le bouton de sélection de la température. Quand le voyant lumineux LOCKED (verrouillé) s'éteint pour indiquer que la température du four est descendue sous la température de verrouillage, vous pouvez ouvrir la porte.

REMARQUE : sur les modèles de four mural double, il vous est possible de régler le démarrage différé du nettoyage pour les deux fours en même temps. Tournez à CLEAN (nettoyage) le bouton de sélection du mode de cuisson et le bouton de sélection de la température sur le deuxième four. Le deuxième four à être réglé retardera automatiquement le début de son cycle jusqu'à la fin du cycle de nettoyage du premier four.

Après l'autonettoyage

Vous remarquerez un peu de cendre blanche dans le four. Essuyez-la avec un linge humide lorsque le four a refroidi.

Si des taches blanches persistent, enlevez-les à l'eau tiède savonneuse, puis rincez comme il faut avec un mélange d'eau et de vinaigre. Il s'agit généralement de résidus de sel qui ne disparaissent pas lors de l'autonettoyage.

Si le four n'est pas propre après un premier nettoyage, programmez à nouveau un autonettoyage.

Vous ne pouvez programmer aucune fonction de cuisson tant que le four n'a pas suffisamment refroidi pour que vous puissiez déverrouiller la porte.

Panne de courant

Si l'heure de la journée apparaît en succession rapide sur l'afficheur, c'est qu'il y a eu panne de courant. Remettez l'horloge à l'heure.

Horloge

Pour que les dispositifs de chronométrage automatiques du four fonctionnent correctement, vous devez régler l'horloge à la bonne heure.

L'heure de l'horloge **ne peut être** changée pendant que la fonction Delay Start (démarrage

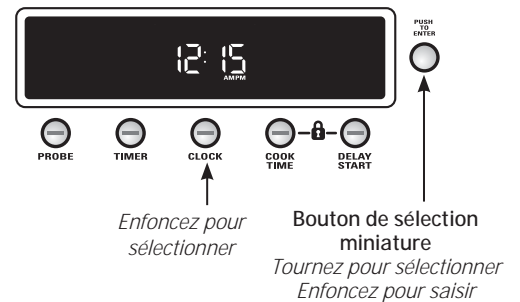
différé) est programmée. (Elle peut être changée que pendant la cuisson conventionnelle ou la cuisson au grilloir.)

Pour régler l'horloge

- 1 Enfoncez le bouton **CLOCK** (horloge).
- 2 Tournez le bouton de sélection miniature pour sélectionner l'heure et enfoncez pour saisir.

REMARQUE : pendant le réglage, le temps basculera de AM à PM.

Illustration de l'afficheur du four double.



Verrouillage des commandes

Cette commande vous permet de bloquer toutes les autres commandes de manière à ce que le bouton de sélection du mode de cuisson, le bouton de sélection de la température et les boutons du tableau de commande ne puissent être activés une fois qu'il a été réglé.

REMARQUE : sur les modèles de four mural double, cette commande active cette fonction pour les deux fours.

Pour verrouiller/déverrouiller les commandes :

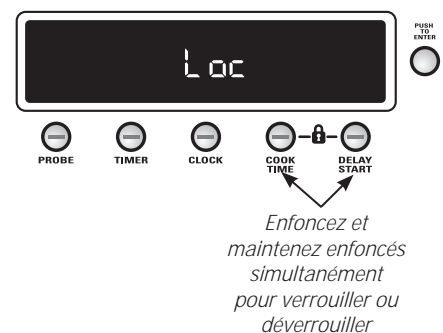
- 1 Enfoncez et maintenez enfoncés les boutons **COOK TIME** (temps de cuisson) et **DELAY START** (démarrage différé) simultanément pendant 3 secondes jusqu'à ce que la commande émette un signal sonore (bip) et que l'afficheur indique « Loc ». Une fois les commandes verrouillées, l'heure de la journée apparaît sur l'afficheur.
- 2 Pour déverrouiller, enfoncez et maintenez enfoncés les boutons **COOK TIME** (temps de cuisson) et **DELAY START** (démarrage différé) simultanément. (L'afficheur indique « Loc »). Maintenez les boutons enfoncés pendant 3 secondes jusqu'à ce que la commande émette un signal sonore (bip) et que le mot « Loc » disparaisse de l'afficheur.

Une fois cette fonction activée, l'afficheur indique « Loc » lorsqu'on tente d'effectuer un réglage des commandes.

REMARQUES :

- Si une fonction de cuisson, d'autonettoyage ou de minuterie est programmée, elle sera annulée.
- L'ajustement reste en mémoire après huit pannes de courant.

Illustration de l'afficheur du four double.



Minuterie

REMARQUE : la minuterie est indépendante de toutes les autres fonctions et ne permet pas de contrôler le four.

Vous pouvez programmer la minuterie pour la cuisson à minuterie ou toute autre activité domestique pour une période allant jusqu'à 11 heures et 59 minutes.

Pour régler la minuterie :

- 1 Enfoncez le bouton **TIMER** (minuterie).
- 2 Tournez le bouton de sélection miniature pour sélectionner la période de temps sur la minuterie jusqu'à 11 heures et 59 minutes et enfoncez pour saisir.

*Pour les modèles de four double, une deuxième minuterie peut être réglée en enfonceant le bouton **TIMER** (minuterie) deux fois.*

L'afficheur de la minuterie indique le décompte des heures et des minutes, une minute à la fois, de 24 heures à 1 heure. Il changera alors pour indiquer le décompte des minutes et des secondes jusqu'à ce que la dernière minute soit atteinte. La commande émet un signal sonore (bip) et l'afficheur indique les secondes jusqu'à ce que la minuterie atteigne :00.

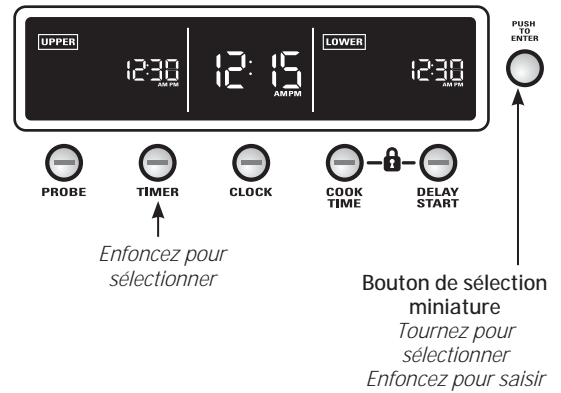
Lorsque la minuterie atteint :00, la commande fait entendre 3 signaux sonores (bips) suivis d'un signal sonore (bip) toutes les 6 secondes jusqu'à ce que le bouton **TIMER** (minuterie) soit enfoncé.

La tonalité de 6 secondes peut être arrêtée en suivant les étapes indiquées à *Tonalités à la fin d'un cycle à minuterie* de la section *Fonctions spéciales*.

Pour annuler la minuterie :

- 1 Enfoncez le bouton **TIMER** (minuterie).
- 2 Tournez le bouton de sélection miniature à :00 et enfoncez pour saisir.

Illustration de l'afficheur du four double.



Caractéristiques spéciales des commandes du four

Votre four comporte d'autres fonctions spéciales que vous pouvez utiliser.

Elles sont conservées dans la mémoire de la commande jusqu'à ce que vous suiviez à nouveau les étapes indiquées. Ces caractéristiques spéciales sont conservées en mémoire, même après une panne de courant.

Soit le bouton de sélection du mode de cuisson, soit le bouton de sélection de la température doit être tourné à OFF (arrêt).

Pour les modèles de four double, soit le bouton de sélection du mode de cuisson, soit le bouton de sélection de la température doit être tourné à OFF (arrêt) sur chacun des fours.

REMARQUE : alors que vous êtes en mode Fonctions spéciales, si le bouton de sélection miniature n'est pas enfoncé pour saisir un choix dans les 60 secondes, le mode sera annulé (sans changement) et l'heure de la journée réapparaîtra sur l'afficheur.

Voici les fonctions et comment les activer.

Réglage du thermostat du four

Il est possible que vous trouviez que dans votre nouveau four la cuisson est différente que dans votre ancien four. Utilisez votre nouveau four pendant quelques semaines afin de vous familiariser avec son fonctionnement. Si vous trouvez que la température dans votre nouveau four est trop élevée ou trop basse, vous pouvez régler la commande de température vous-même.

Pour ajuster le thermostat du four :

1 Enfoncez et maintenez enfoncés simultanément les boutons **PROBE** (sonde) et **DELAY START** (démarrage différé) pendant 4 secondes jusqu'à ce que l'afficheur indique SF (fonctions spéciales).

2 Enfoncez le bouton **PROBE** (sonde). Un « 0 » apparaît sur l'afficheur.

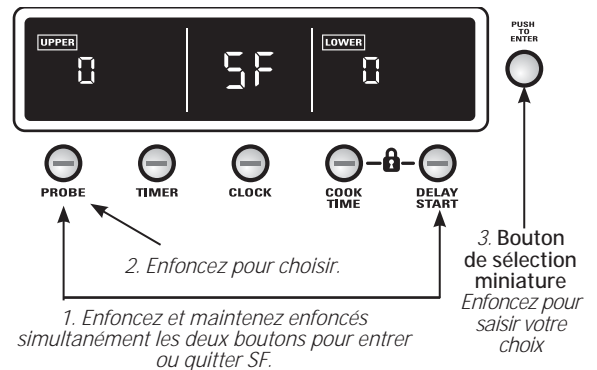
Sur les modèles de four mural double, un « 0 » apparaît sur les afficheurs des deux fours. Enfoncez le bouton **PROBE** (sonde) une 2^e fois (l'afficheur indiquera « UPPER ») pour permettre le réglage du four supérieur, et enfoncez le bouton **PROBE** (sonde) une 3^e fois (l'afficheur indiquera « LOWER ») pour permettre le réglage du four inférieur.

3 Tournez le bouton de sélection miniature pour ajuster le thermostat du four jusqu'à 35 °F de plus ou de moins par incrément de 1 °F.

4 Enfoncez le bouton de sélection miniature pour saisir votre choix.

5 Enfoncez et maintenez enfoncé le bouton de sélection miniature pendant 5 secondes pour quitter

Illustration de l'afficheur du four double.



SF (Fonctions spéciales) et revenir à l'affichage de l'horloge.

Nous vous recommandons de ne pas utiliser un thermomètre bon marché, comme ceux vendus dans les épiceries, pour vérifier le réglage de température de votre nouveau four. Ces thermomètres peuvent présenter des écarts de 20 à 40 degrés.

REMARQUE : ce réglage affectera seulement les températures de cuisson et de rôtissage. Ce réglage n'affectera nullement les températures de grillage ou d'autonettoyage. De plus, il sera conservé en mémoire si jamais une panne de courant survient.

Tonalités à la fin du cycle de minuterie

À la fin d'une fonction minutée, trois signaux sonores courts se font entendre, suivis d'un signal sonore toutes les 6 secondes, jusqu'à ce que vous appuyiez sur **TIMER** (minuterie). Cette tonalité toutes les 6 secondes peut être annulée. Pour annuler la tonalité toutes les 6 secondes :

1 Enfoncez et maintenez enfoncés simultanément les boutons **PROBE** (sonde) et **DELAY START** (démarrage différé) pendant 4 secondes jusqu'à ce que l'afficheur indique SF (fonctions spéciales).

2 Enfoncez le bouton **TIMER** (minuterie) pour choisir entre :

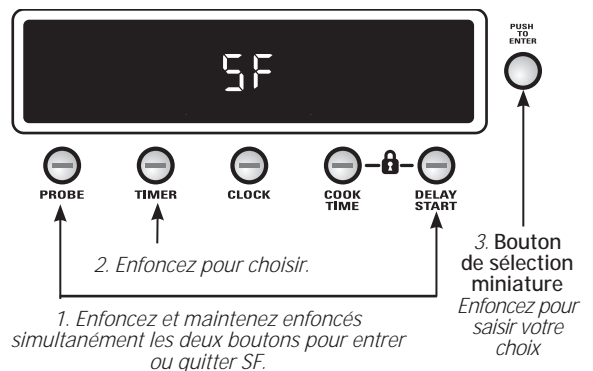
con SF bBEEP (signaux sonores (bips) continus) : Les rappels sonores (bip) sont émis après la fin d'un cycle de minuterie jusqu'à ce que le bouton **TIMER** (minuterie) soit enfoncé.

SF bBEEP (aucun signal sonore) : Aucun rappel sonore (bip) après la fin d'un cycle de minuterie.

3 Enfoncez le bouton de sélection miniature pour saisir votre choix.

4 Enfoncez et maintenez enfoncé le bouton de sélection miniature pendant 5 secondes pour quitter

Illustration de l'afficheur du four double.



SF (Fonctions spéciales) et revenir à l'affichage de l'horloge.

REMARQUE : sur les modèles de four mural double, cette commande annule la tonalité de fin de cycle pour les deux fours.

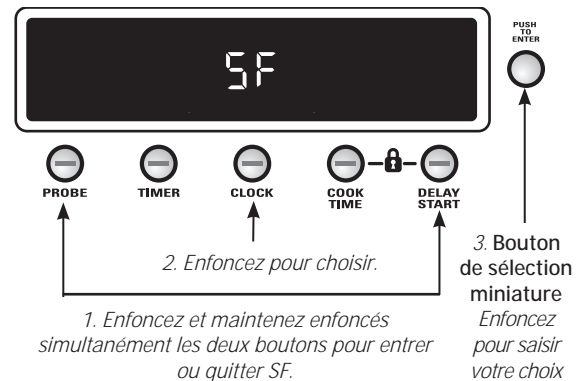
12 heures, 24 heures ou extinction de l'heure

Votre commande est réglée pour fonctionner avec le système horaire de 12 heures. Si vous désirez utiliser le système horaire de 24 heures ou préférez ne pas afficher l'heure, suivez les étapes ci-dessous.

- 1 Enfoncez et maintenez enfoncés simultanément les boutons **PROBE** (sonde) et **DELAY START** (démarrage différé) pendant 4 secondes jusqu'à ce que l'afficheur indique SF (fonctions spéciales).
- 2 Enfoncez le bouton **CLOCK** (horloge) pour choisir entre :
 - 12 hr** : affichage sur 12 heures avec AM et PM.
 - 24 hr** : affichage sur 24 heures.
 - OFF** : aucun affichage.
- 3 Enfoncez le bouton de sélection miniature pour saisir votre choix.
- 4 Enfoncez et maintenez enfoncé le bouton de sélection miniature pendant 5 secondes pour quitter SF (Fonctions spéciales).

REMARQUE : lorsque l'horloge est réglée au mode «extinction», vous ne pouvez utiliser la fonction de mise en marche différée.

Illustration de l'afficheur du four double.



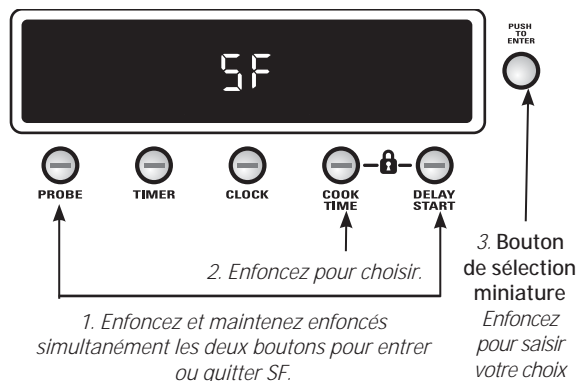
Volume du son

Cette caractéristique vous permet de régler le volume du son à un volume plus acceptable. Il y a trois niveaux de volume possibles.

- 1 Enfoncez et maintenez enfoncés simultanément les boutons **PROBE** (sonde) et **DELAY START** (démarrage différé) pendant 4 secondes jusqu'à ce que l'afficheur indique SF (fonctions spéciales).
- 2 Enfoncez le bouton **COOK TIME** (temps de cuisson) pour choisir entre :
 - 1 SF bEEP** : Signal sonore (bip) de faible intensité.
 - 2 SF bEEP** : Signal sonore (bip) d'intensité moyenne.
 - 3 SF bEEP** : Signal sonore (bip) de grande intensité.
- 3 Enfoncez le bouton de sélection miniature pour saisir votre choix.
- 4 Enfoncez et maintenez enfoncé le bouton de sélection miniature pendant 5 secondes pour quitter SF (Fonctions spéciales) et revenir à l'affichage de l'horloge.

REMARQUE : sur les modèles de four mural double, cette commande active la fonction spéciale pour les deux fours.

Illustration de l'afficheur du four double.



Fonction Sabbath, arrêt après 12 heures, ou pas d'arrêt après 12 heures

Avec cette fonction, la commande éteindra le four automatiquement après 12 heures de fonctions de cuisson, s'il vous arrive de le laisser allumé par oubli. Si vous désirez désactiver cette fonction, suivez les étapes ci-dessous.

1 Enfoncez et maintenez enfoncés simultanément les boutons **PROBE** (sonde) et **DELAY START** (démarrage différé) pendant 4 secondes jusqu'à ce que l'afficheur indique SF (fonctions spéciales).

2 Enfoncez le bouton **DELAY START** (démarrage différé) pour choisir entre :

12 SF Shdn : Le four s'éteint automatiquement après 12 heures.

no SF Shdn : Le four ne s'éteint pas automatiquement après 12 heures.

SabbAth : Fonction conçue pour servir au sabbat juif et aux fêtes.

La fonction du sabbat peut servir seulement en mode cuire/rôtir. Elle ne peut servir pour la cuisson par convection, par grillage, pour l'autonettoyage ou le démarrage différé.

Lorsque la fonction Sabbath est réglée, la lampe du four et tous les signaux sonores (bip) sonores sont annulés et \Rightarrow apparaît sur l'écran. La fonction prévoit aussi une période de différé aléatoire allant de 30 secondes à 1 minute, avant que le four ne démarre une fois qu'il est réglé à BAKE (cuisson). \Rightarrow apparaît sur l'écran, indiquant que le four est en train de cuire ou de rôtir.

La fonction Timed cooking (cuisson minutée) peut être utilisé avec la fonction Sabbath. Pour utiliser la fonction Timed cooking (cuisson minutée), réglez COOK TIME (temps de cuisson) et la température avant d'entrer la fonction SF (Fonctions spéciales) et sélectionner SabbAth.

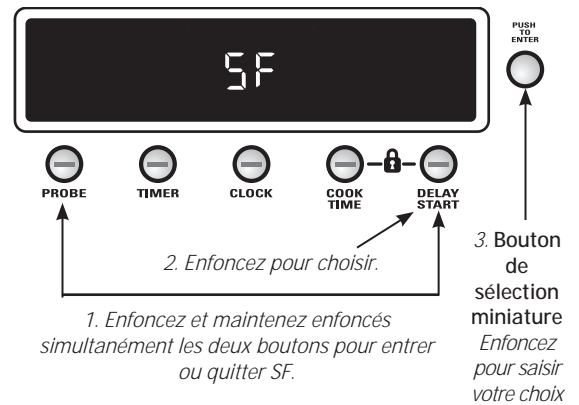
La fonction DELAY START (démarrage différé) ne peut pas être utilisé avec la fonction Sabbath.

3 Enfoncez le bouton de sélection miniature pour saisir votre choix.

4 Enfoncez et maintenez enfoncé le bouton de sélection miniature pendant 5 secondes pour quitter SF (Fonctions spéciales) et revenir à l'affichage de l'horloge.

REMARQUE : sur les modèles de four mural double, cette commande active cette fonction pour les deux fours.

Illustration de l'afficheur du four double.



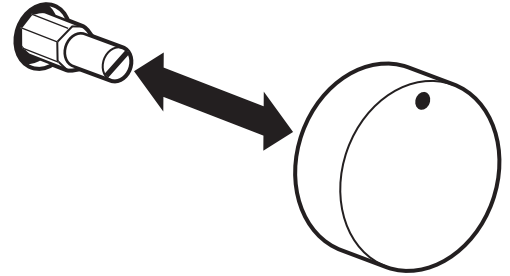
AVANT DE NETTOYER UNE PIÈCE QUELCONQUE DU FOUR, ASSUREZ-VOUS QUE L'ALIMENTATION ÉLECTRIQUE A ÉTÉ COUPÉE ET QUE TOUTES LES SURFACES DE L'APPAREIL ONT REFROIDI.

Tableau de commande et boutons de sélection

Essuyez les éclaboussures avec un chiffon humide. Retirez les saletés les plus grosses avec de l'eau tiède savonneuse.

N'utilisez aucun abrasif sur le tableau de commande et les boutons de sélection.

Les boutons de sélection se retirent pour faciliter l'autonettoyage. Pour retirer un bouton de sélection, retirez-le directement de sur la tige. Lavez les boutons de sélection au savon et à l'eau, mais ne les laissez pas tremper.



REMARQUE : le bouton de sélection miniature n'est pas amovible.

Éléments chauffants du four

Ne nettoyez pas l'élément du gril. Toute saleté brûlera lorsque l'élément sera chauffé.

L'élément de cuisson n'est pas exposé et se trouve sous le fond du four. S'il y a des déversements ou de la cendre accumulée sur le fond du four, essuyez le tout avant l'autonettoyage.

Lèchefrite et grille

Après avoir grillé, retirez la lèchefrite et sa grille du four. Retirez la grille de la lèchefrite. Versez délicatement la graisse de la lèchefrite dans un contenant approprié. Lavez et rincez la lèchefrite et sa grille dans l'eau chaude avec un tampon à récurer de plastique ou imbibé de savon.

Si des aliments brûlés se trouvent sur la grille, saupoudrez-la de détergent tandis qu'elle est chaude et couvrez-la d'essuie-tout ou d'un linge à vaisselle. Faire tremper la lèchefrite éliminera les aliments cuits.

La lèchefrite et sa grille se lavent avec un détergent commercial pour four.

La lèchefrite et sa grille se lavent aussi au lave-vaisselle.

Ne rangez pas la lèchefrite et sa grille dans le four alors qu'elles sont sales.

⚠ MISE EN GARDE :

ne nettoyez pas la lèchefrite et sa grille dans un four autonettoyant.

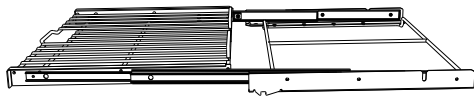


Grilles du four

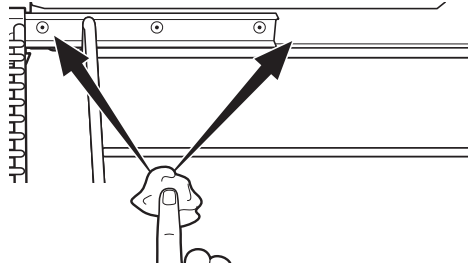
Les grilles peuvent être laissées dans le four pendant le cycle d'autonettoyage sans être endommagées.

Périodiquement, après plusieurs cycles d'autonettoyage, il peut être nécessaire de lubrifier les grilles du four à l'aide du lubrifiant au graphite accompagnant votre four mural. Pour commander du lubrifiant au graphite additionnel, appelez le Centre national des pièces au **1.800.626.2002** et mentionnez le numéro de référence **WB02T10303**.

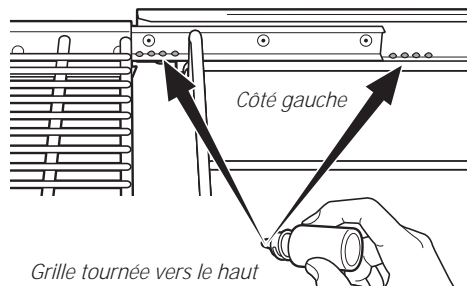
- 1 Retirez la grille du four. Reportez-vous à la section *Grilles de four à extension complète*.
- 2 Ouvrez la grille entièrement et posez-la sur une table ou un comptoir. Du papier journal peut être placé sous la grille pour faciliter le nettoyage.



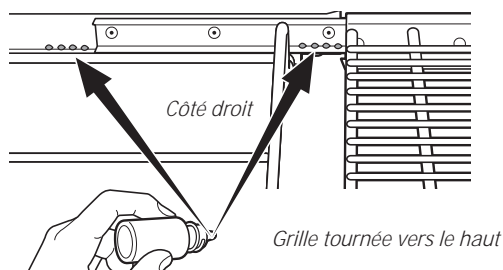
- 3 S'il y a des débris dans les glissières, essuyez-les à l'aide d'un essuie-tout. **REMARQUE** : tout lubrifiant au graphite que vous enlevez doit être remplacé.



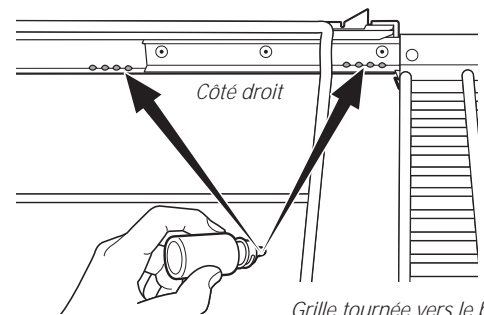
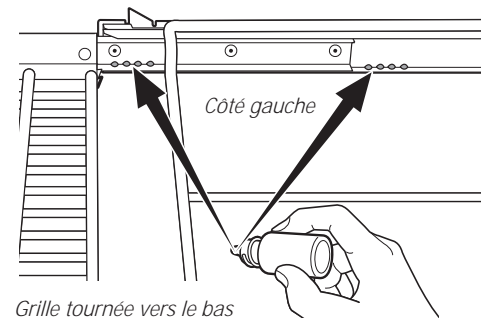
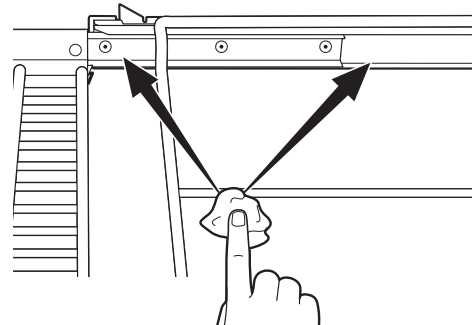
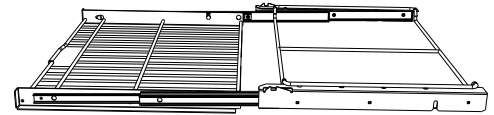
- 4 Secouez le contenant de lubrifiant au graphite avant de l'ouvrir. En commençant par le côté gauche du mécanisme de glissement de la grille, placez quatre (4) petites gouttes de lubrifiant sur les deux (2) glissières du bas près des boîtiers de roulement.



roulement.



- 5 Répétez pour le mécanisme de glissement droit de la grille.
- 6 Ouvrez et refermez la grille plusieurs fois afin de répartir le lubrifiant.
- 7 Remplacez le capuchon sur le contenant de lubrifiant et secouez-le encore une fois. Retournez la grille et répétez les étapes 3, 4, 5 et 6.



- 8 Fermez la grille, retournez la grille vers le haut et remplacez-la dans le four. Reportez-vous à la section *Grilles de four à extension complète*.
- 9 Répétez les étapes ci-dessus pour chaque grille.

REMARQUE : ne vaporisez pas de Pam® ou tout autre lubrifiant à vaporiser.

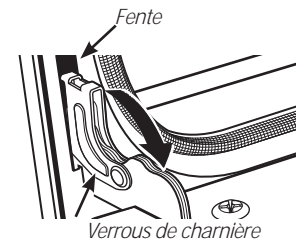
Enlèvement de la porte du four en la soulevant— enlèvement

La porte est très lourde. Faites attention quand vous l'enlevez ou vous la soulevez.

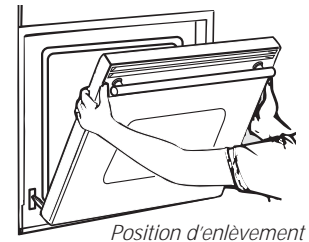
Ne soulevez jamais la porte par sa poignée.

Enlèvement de la porte :

- 1 Ouvrez complètement la porte.
- 2 Tirez les verrous de charnières vers l'armature de la porte, en position déverrouillée. Un outil, comme un tournevis à lame plate, peut être nécessaire.
- 3 Tenez fermement les deux côtés **du haut** de la porte.
- 4 Refermez la porte à la position d'enlèvement de la porte, ce qui veut dire presque complètement et soulevez-la vers le haut puis vers l'extérieur jusqu'à ce que le bras d'articulation soit entièrement sorti de la rainure.

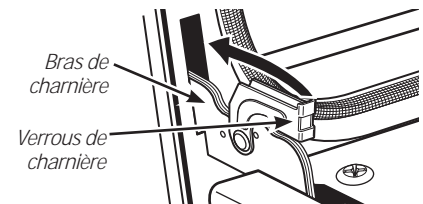
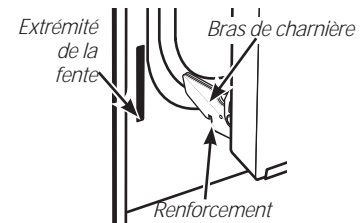


Tirez en bas les verrous des charnières pour déverrouiller.



Remise en place de la porte :

- 1 Tenez fermement les deux côtés **du haut** de la porte.
- 2 Avec la porte au même angle que pour l'enlever, mettez le renforcement du bras de charnière dans l'arête du bas de la fente de charnière. Le renforcement du bras de charnière doit être bien installé dans le bas de la fente.
- 3 Ouvrez complètement la porte.
Si la porte n'est pas complètement ouverte, l'indentation ne repose pas bien à l'extrémité inférieure de la fente.
- 4 Poussez les verrous de charnière contre l'armature de devant du trou du four, en position verrouillée.
- 5 Fermez la porte du four.



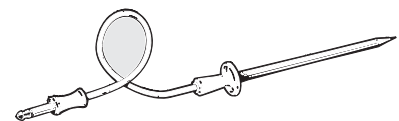
Poussez vers le haut les verrous des charnières pour verrouiller.

Sonde

Lavez la sonde thermique avec de l'eau savonneuse ou un tampon à récurer savonneux. Laissez refroidir la sonde avant de la laver. Faites disparaître les taches tenaces avec un tampon à récurer savonneux, puis rincez et séchez.

Ne plongez pas la sonde thermique dans l'eau.

Ne rangez pas la sonde thermique dans le four.



Ampoules du four

Chaque four est muni de deux unités d'ampoule à halogène situées sur les parois latérales du four. Les ampoules s'allument lorsque la porte est ouverte ou lorsque le four exécute un cycle de cuisson. Les ampoules du four ne s'allument pas pour le cycle d'autonettoyage ou si le four est réglé à la fonction du sabbat.

Chaque unité d'ampoule comprend un couvercle de lampe amovible sur lequel se trouvent deux mécanismes de verrouillage, un compartiment de lampe dans lequel se trouvent trois culots et trois ampoules à halogène.

⚠ MISE EN GARDE :

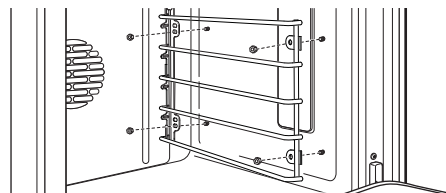
avant de remplacer une ampoule, débranchez l'alimentation électrique au four à même le panneau de fusibles ou de disjoncteurs.

Assurez-vous de laisser le couvercle et l'ampoule refroidir complètement.

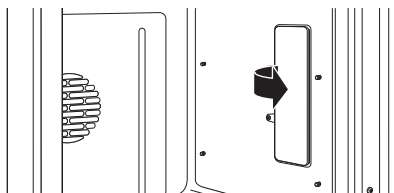
Pour votre sécurité, ne manipulez pas d'ampoule chaude à mains nues ou avec un chiffon humide.

Pour retirer :

- 1 Retirez les grilles du four. Reportez-vous à la section *Grilles de four à extension complète*.
- 2 À l'aide d'une clé à molette, retirez les quatre écrous qui maintiennent le support à grille par-dessus l'unité de la lampe.

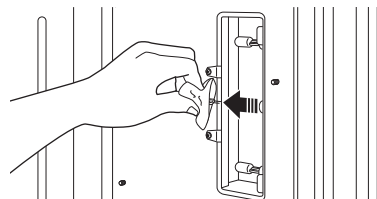


- 3 Retirez le couvercle de lampe en verre en tirant vers l'extérieur son rebord arrière et en le faisant rouler vers vous. Ne retirez aucune vis.



REMARQUE : les pinces de fixation pourraient tomber du couvercle de verre. Après le remplacement, elles devront être placées dans la bonne position sur le couvercle de la lampe et réinsérées dans le compartiment de la lampe en les enfonçant bien en place.

- 4 Portez des gants ou utilisez un chiffon propre et retirez l'ampoule grillée en tirant pour la faire sortir.



Pour remplacer :

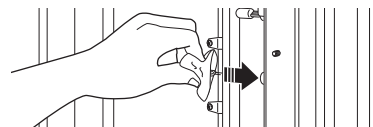
Utilisez une nouvelle ampoule à halogène de 120 volts, à broches G8, sans dépasser 25 watts.

Les ampoules de remplacement peuvent être achetées en appelant le 800.626.2002. Numéro de pièce : **WB25T10064**.

REMARQUE : les ampoules d'intensité supérieure endommageront votre four.

Portez des gants ou utilisez un chiffon propre et retirez l'ampoule de son emballage. **Ne touchez pas l'ampoule à doigts nus.** L'huile de vos doigts peut causer des points chauds sur la surface de verre et causer le grillage prématuré de l'ampoule. Si vous touchez le verre, nettoyez-le avec de l'alcool avant l'installation.

- 1 Enfoncez l'ampoule dans le culot jusqu'au fond.



- 2 Remplacez le couvercle de la lampe, en plaçant son bord avant sous les deux languettes dans le compartiment de la lampe. Roulez le rebord arrière en place, en prenant soin de vous assurer qu'il appuie bien en place.

REMARQUE :

si les pinces de fixation sont tombées du couvercle de la lentille, maintenez-les sur le couvercle, dans la bonne position, pendant que vous remplacez le couvercle sur le compartiment de la lampe.



Tenez les pinces de fixation en place sur le rebord arrière du couvercle de la lentille

Placez le rebord avant du couvercle de la lentille sous les deux languettes avant

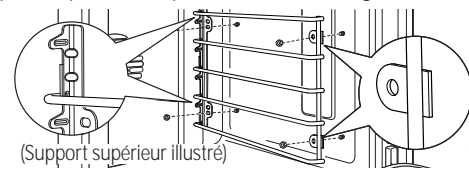
Appuyez sur le couvercle de la lentille pour le fixer en place

Le couvercle de la lampe doit être en place lorsque le four est mis en marche.

Pour un meilleur éclairage à l'intérieur du four, nettoyez fréquemment le couvercle vitré à l'aide d'un chiffon humide. Cela devrait être fait lorsque le four est éteint, débranché de l'alimentation et complètement refroidi.

- 3 Remplacez le support à grille de manière à ce que les trous ovales se retrouvent par-dessus les boulons arrière et les trous ronds par-dessus les boulons avant. Fixez légèrement à l'aide des quatre écrous que vous avez retirés précédemment, mais ne serrez pas trop car cela pourrait endommager l'émail.

Trous ovales par dessus les boulons arrière



Trous ronds par dessus les boulons avant

- 4 Remplacez les grilles. Reportez-vous à la section *Grilles de four à extension complète*.
- 5 Rebranchez le courant électrique au four.

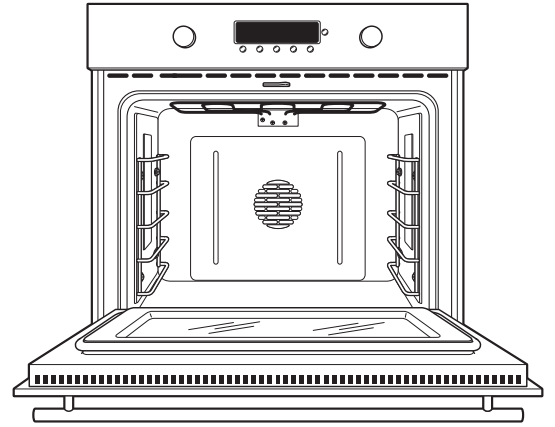
Pour nettoyer la porte

L'intérieur de la porte :

- Puisque la section à l'intérieur du joint se nettoie durant le cycle d'autonettoyage, aucun besoin de le nettoyer à la main. Tout savon laissé sur la doublure pourra causer des taches additionnelles lorsque le four est chauffé, alors assurez-vous de bien la rincer.
- La section à l'extérieur du joint se nettoie avec un tampon à récurer rempli de savon.
- **Vous ne devez ni frotter ni nettoyer le joint de porte;** le matériau de fibre de verre du joint a une très faible résistance à l'abrasion. Un joint de porte intact et bien ajusté est essentiel pour obtenir un bon rendement énergétique et de bons résultats de cuisson. Si vous remarquez qu'il devient usé, s'effiloche, est endommagé de quelque façon ou a été déplacé sur la porte, vous devriez le remplacer.

L'extérieur de la porte :

- En fonction de votre modèle, reportez-vous à la section *Surfaces en acier inoxydable* ou *Surfaces peintes*.



Surfaces en acier inoxydable (sur certains modèles)

N'utilisez pas de tampons de laine d'acier; ils pourraient rayer la surface.

Pour nettoyer la surface en acier inoxydable, utilisez de l'eau chaude savonneuse ou un produit nettoyant ou cire à acier inoxydable. Essayez toujours la surface dans le sens du grain. Suivez les instructions du produit nettoyant pour nettoyer la surface en acier inoxydable.

Pour savoir comment acheter le produit nettoyant ou la cire pour appareils électroménagers en acier inoxydable, ou pour connaître les coordonnées du détaillant le plus près de chez vous, veuillez appeler notre numéro sans frais : 1.800.626.2002 ou visitez notre site Web monogram.com.

Surfaces peintes (sur certains modèles)

Les surfaces peintes incluent la porte, le dessus du tableau de commande et l'avant du tiroir. Nettoyez-les avec du savon et de l'eau ou une solution de vinaigre et d'eau.

N'utilisez pas de nettoyant commercial pour le four, de poudres de nettoyage, de laine d'acier ou d'abrasifs forts sur quelque surface peinte que ce soit.

Économisez du temps et de l'argent!

Consultez d'abord
les conseils de
dépannage des
pages qui suivent.
Vous pourriez vous
éviter d'appeler un
réparateur.

PROBLÈME	CAUSE PROBABLE
LE FOUR NE FONCTIONNE PAS	<ul style="list-style-type: none"> Un fusible peut être grillé ou un disjoncteur peut être déclenché dans le panneau de votre résidence. Les commandes du four ne sont pas réglées correctement. Les commandes du four sont réglées pour l'autonettoyage. Si besoin est, laissez le four refroidir; ouvrez ensuite la porte. Assurez-vous que le bouton de sélection du mode de cuisson est réglé à BAKE (cuisson) et que le bouton de sélection de la température est réglé à une température.
LA LAMPE DU FOUR NE S'ALLUME PAS	<ul style="list-style-type: none"> La lampe est défectueuse. Remplacez l'ampoule. Le four effectue un cycle d'autonettoyage ou il est réglé sur la fonction Sabbath. Les lampes du four ne s'allument pas pendant l'autonettoyage ou si le four est réglé à la fonction Sabbath.
CUISSON OU RÔTISSAGE INADÉQUATS DES ALIMENTS DANS LE FOUR	<ul style="list-style-type: none"> Les commandes du four ne sont pas réglées correctement. Reportez-vous à la section <i>Cuisson ou Rôtissage</i>. Le four n'a pas préchauffé suffisamment longtemps (laisser environ 10 à 15 minutes). Des plats de cuisson ne convenant pas ou des plats de cuisson de mauvaise taille sont utilisés. Reportez-vous à la section <i>Positionnement des plats</i>. Les grilles sont dans la mauvaise position. Reportez-vous à la section <i>Cuisson ou Rôtissage</i>. Recouvrez les aliments de papier d'aluminium pour ralentir le brunissage lors du rôtissage. Le thermostat du four doit être ajusté. Reportez-vous à la section <i>Réglage du thermostat du four</i>.
GRILLAGE INADÉQUATS DES ALIMENTS DANS LE FOUR	<ul style="list-style-type: none"> Ce modèle est conçu pour une porte fermée. Fermez la porte. Grillez toujours avec la porte fermée. Les commandes du four ne sont pas réglées à BROIL. Reportez-vous à la section <i>Cuisson au grilloir</i>. La sonde est branchée dans le four. Enlevez la sonde du four. Grille placée à une hauteur inadéquate. Aliments cuits dans un plat de cuisson chaud. Utilisez la lèchefrite et sa grille comprises avec votre four. Plat de cuisson qui ne convient pas au grillage. Utilisez la lèchefrite et sa grille comprises avec votre four. Le papier d'aluminium utilisé sur la lèchefrite et sa grille n'a pas été ajusté correctement et n'a pas été fendu tel que recommandé. Dans certaines régions, la tension de l'alimentation peut être basse. Faites préchauffer l'élément chauffant environ 10 à 15 minutes.
LE PROGRAMME D'AUTONETTOYAGE NE FONCTIONNE PAS	<ul style="list-style-type: none"> La température du four est trop élevée pour pouvoir régler un autonettoyage. Laissez la température du four descendre sous la température de verrouillage et refaites le réglage des commandes. Commandes mal réglées. Voir la section <i>Four autonettoyant</i>.
SONS DE « CRÉPITEMENT » OU « D'ÉCLATEMENT » AU COURS DE L'AUTONETTOYAGE	<ul style="list-style-type: none"> Ce phénomène est normal. Ces bruits sont produits par le métal sous l'effet de la chaleur et du refroidissement pendant les fonctions de cuisson et d'autonettoyage.
FUMÉES EXCESSIVES AU COURS DE L'AUTONETTOYAGE	<ul style="list-style-type: none"> Quantité excessive de saleté. Tournez le bouton de sélection du mode de cuisson et le bouton de sélection de la température à OFF (arrêt). Ouvrez les fenêtres pour dissiper la fumée. Attendez que le voyant lumineux du verrouillage de la porte s'éteigne. Essuyez l'excès de saleté, et programmez à nouveau l'autonettoyage.
LE FOUR N'EST PAS PROPRE APRÈS L'AUTONETTOYAGE	<ul style="list-style-type: none"> Le four était très sale. Essuyez le surplus de saleté avant de programmer l'autonettoyage. Lorsque le four est très sale, il peut être nécessaire de programmer un autre autonettoyage. Le four est branché à une source d'alimentation électrique de 208 V. Réglez le temps d'autonettoyage à 5 heures. Les commandes du four ne sont pas réglées correctement. Voir la section <i>Four autonettoyant</i>.
LES GRILLES DU GLISSENT DIFFICILEMENT	<ul style="list-style-type: none"> Les grilles ont été nettoyées à l'aide du cycle d'autonettoyage et il est maintenant temps d'effectuer une lubrification périodique. Ne les vaporisez pas de Pam® ou d'un autre lubrifiant à vaporiser. Reportez-vous à la section <i>Grilles de four à extension complète</i> de la section <i>Entretien et autonettoyage</i>.

*Économisez
du temps et
de l'argent!*

PROBLÈME	CAUSE PROBABLE
L'HORLOGE ET LA MINUTERIE NE FONCTIONNENT PAS	<ul style="list-style-type: none"> Un fusible peut être grillé ou un disjoncteur peut être déclenché dans le panneau de votre résidence. Remplacez le fusible ou réenclenchez le disjoncteur. Les commandes du four ne sont pas réglées correctement. Voir les sections <i>Horloge et Minuterie</i>.
TEMPÉRATURE TROP ÉLEVÉE OU TROP BASSE DANS LE FOUR	<ul style="list-style-type: none"> La commande de température du four doit être réglée. Voir la section <i>Réglage du thermostat du four</i>.
LA PORTE NE S'OUVRE PAS APRÈS L'AUTONETTOYAGE	<ul style="list-style-type: none"> Le four est trop chaud. Laissez la température du four descendre sous la température de verrouillage.
LE MESSAGE "LOCKED" CLIGNOTE À L'ÉCRAN	<ul style="list-style-type: none"> Vous avez programmé l'autonettoyage mais n'avez pas fermé la porte. Fermez la porte du four.
LE MESSAGE "LOCKED" S'ALLUME LORSQUE VOUS DÉSIREZ EFFECTUER UNE CUISSON	<ul style="list-style-type: none"> La porte du four est verrouillée parce que la température dans le four n'est pas descendue sous la température de verrouillage. Tournez le bouton de sélection du mode de cuisson et le bouton de sélection de la température à OFF (arrêt). Laissez le four refroidir.
CLIGNOTEMENTS F9 EST AFFICHÉ À L'ÉCRAN	<ul style="list-style-type: none"> Le four utilise un code d'erreur de fonctionnement. Tournez le bouton de sélection du mode de cuisson et le bouton de sélection de la température à OFF (arrêt). Laissez le four refroidir pendant une heure. Remettez le four en marche. Débranchez l'alimentation électrique du four pendant 30 secondes, puis remettez le four sous tension. Si le code d'erreur de fonctionnement réapparaît, faites appel à un service d'entretien.
L'ÉCRAN D'AFFICHAGE N'EST PAS ALLUMÉ	<ul style="list-style-type: none"> Un fusible peut être grillé ou un disjoncteur peut être déclenché dans le panneau de votre résidence. Remplacez le fusible ou réenclenchez le disjoncteur. L'horloge est réglée au mode d'extinction. Voir la section <i>Caractéristiques spéciales</i>.
L'ÉCRAN D'AFFICHAGE CLIGNOTE	<ul style="list-style-type: none"> Panne de courant. Réglez à nouveau l'horloge.
IMPOSSIBILITÉ D'AFFICHER LE MESSAGE «SF»	<ul style="list-style-type: none"> Les boutons PROBE (sonde) et DELAY START (démarrage différé) doivent être enfoncés simultanément et maintenus enfoncés pendant 4 secondes.
LE MESSAGE «PROBE» EST AFFICHÉ À L'ÉCRAN	<ul style="list-style-type: none"> Ce message vous rappelle d'entrer une température interne après avoir branché la sonde. Entrez une température interne.
PANNE DE COURANT, L'HORLOGE CLIGNOTE	<ul style="list-style-type: none"> Panne de courant ou surtension. Réglez à nouveau l'horloge. Si le four était en fonctionnement, vous devez le régler de nouveau en enfonçant le bouton CLOCK (horloge), et en tournant et enfonçant le bouton de sélection miniature pour saisir les réglages.
DE LA VAPEUR S'ÉCHAPPE PAR L'ÉVENT	<ul style="list-style-type: none"> À la cuisson par convection, il est normal que de la vapeur s'échappe par l'évent du four. Plus le nombre de grilles utilisées ou la quantité d'aliments dans le four augmente, plus il y a de vapeur visible qui s'échappe.
ODEUR DE «BRÛLÉ» OU D'HUILE PROVENANT DE L'ÉVENT	<ul style="list-style-type: none"> Ce phénomène est normal lorsque le four est neuf et disparaîtra avec le temps.
FORTES ODEURS	<ul style="list-style-type: none"> Ce phénomène est temporaire. Les premières fois que vous utilisez le four, il est normal de sentir une odeur provenant de l'isolant qui se trouve à l'intérieur du four.
BRUIT DE VENTILATEUR	<ul style="list-style-type: none"> C'est normal. Le ventilateur de refroidissement se mettra en marche pour refroidir les pièces internes. Il peut fonctionner après le four éteint. Le ventilateur de convection se mettra en marche et s'arrêtera jusqu'à ce que la fonction de cuisson par convection soit terminée ou que la porte soit ouverte.

Avec l'achat de votre nouvel appareil Monogram, vous recevez aussi l'assurance que si vous avez besoin d'information ou d'aide de notre part, nous serons là pour vous. Vous n'avez qu'à appeler le numéro sans-frais!

GE Answer Center®

**Aux États-Unis :
800.626.2000**

Peu importe votre question au sujet des appareils électroménagers Monogram, le GE Answer Center® est là pour vous aider. Vous aurez les réponses à vos questions rapidement et de manière courtoise. Appelez au centre d'appels GE Answer Center^{MD} du lundi au vendredi entre 8 h 00 et 22 h 00 HNE, et le samedi entre 8 h 00 et 19 h 00 HNE.

OU

Visitez notre site Web au : monogram.com

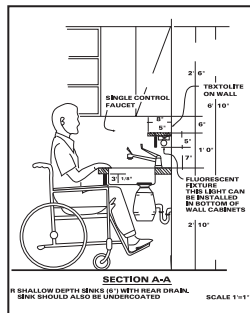
Le service de réparation In-Home

**Aux États-Unis :
800.444.1845**

Un professionnel du service à la clientèle GE vous fournira un service de réparation expert à un moment qui vous convient. Pour prendre rendez-vous, appelez entre 7 h 00 et 22 h 00 HNE en semaine, ou entre 8 h 00 et 18 h 00 HNE les samedis et dimanches. De nombreux endroits gérés par GE Consumer Service (service à la clientèle) vous offrent un service le jour même ou le lendemain ou selon ce qui vous convient. Nos techniciens formés en usine connaissent votre appareil de fond en comble et la plupart des réparations peuvent donc être réglées en une seule visite.

Pour les clients aux besoins spéciaux...

**Aux États-Unis :
800.626.2000**



GE met à votre disposition une brochure pour vous aider dans l'aménagement d'une cuisine adaptée aux personnes à mobilité réduite.

Les clients malentendants ou ayant des difficultés d'élocution et qui ont accès à un ATME ou à un tél'imprimeur traditionnel peuvent appeler le 1.800.TDD.GEAC (1.800.833.4322) pour demander de l'information ou des services.

Contrats de service

**Aux États-Unis :
800.626.2224**

Ne vous inquiétez pas non plus pour le service après la fin de votre garantie, GE Consumer Service (service à la clientèle) sera encore là pour vous. Achetez un contrat de GE avant la fin de votre garantie et profitez d'un rabais important. Avec un contrat de plusieurs années, vous êtes assuré d'avoir les prix actuels pour le service à l'avenir.

Pièces et accessoires

**Aux États-Unis :
800.626.2002**

Les personnes qualifiées pour la réparation de leurs propres appareils peuvent faire envoyer directement les pièces ou les accessoires à leur résidence. Le système de pièces GE offre un accès à plus de 47 000 pièces et toutes les pièces de rechange authentiques de GE sont entièrement garanties. Nous acceptons les cartes de crédit Visa, Mastercard et Discover.

Les instructions de maintenance de l'utilisateur dans ce manuel couvrent les procédures à effectuer par tout utilisateur. Tout autre entretien ou toute réparation doivent être confiés à du personnel qualifié. Il faut être prudent puisqu'un mauvais entretien ou une mauvaise réparation pourraient rendre dangereux le fonctionnement de l'appareil.

LA GARANTIE DE VOTRE FOUR MURAL MONOGRAM

Agrafez votre reçu ou votre chèque encaissé ici. La preuve de date d'achat original est nécessaire pour obtenir le service sous garantie. Veuillez avoir le numéro de série et de modèle sous la main lorsque vous appelez notre service de réparations.

CE QUI EST COUVERT

À partir de la date d'achat original

GARANTIE LIMITÉE D'UN AN

Pour une durée d'un an à partir de la date d'achat originale, nous fournirons, sans frais, les pièces et la main-d'œuvre à votre domicile pour la réparation et le remplacement de toute pièce du four défectueuse en raison d'un défaut de fabrication.

.....
Cette garantie est offerte à l'acheteur original et à tout autre propriétaire pour les produits achetés pour une utilisation résidentielle dans les 48 États continentaux, Hawaii, Washington (D.C.) et Canada. Si l'appareil se trouve dans une zone où le service de réparations autorisé n'est pas disponible, des frais de déplacement pourraient s'ajouter ou vous pourriez devoir apporter l'appareil à un réparateur autorisé. En Alaska, la garantie est la même sauf que vous devez payer l'expédition du produit à l'atelier de service ou le coût du voyage d'un technicien de service chez vous.

Tout le service sous garantie est fourni par nos Centres de service en usine ou par un technicien de Customer Care® autorisé durant les heures normales de travail.

S'il devient nécessaire de réparer votre appareil, au cours de la période de garantie ou après, appelez le 1.800.561.3344.

CE QUI N'EST PAS COUVERT

- Les déplacements du service pour vous enseigner comment utiliser le produit.
- Remplacement des fusibles résidentiels ou réinitialisation des disjoncteurs.
- Tout dommage au produit à la suite d'un accident, incendie, inondation ou force majeure.
- Tout dommage après livraison.
- Défaillance du produit à la suite d'un abus, d'une mauvaise utilisation, d'une utilisation à des fins autres que celles prévues ou à une utilisation commerciale.
- Mauvaise installation, livraison ou maintenance.

- Si vous éprouvez des problèmes avec l'installation, communiquez avec votre vendeur ou avec l'installateur. Il vous incombe de fournir les prises adéquates pour l'électricité, le gaz, l'évacuation et les autres raccords, telles que décrites dans les Instructions d'installation fournies avec ce produit.
- Dommages indirects ou consécutifs causés par des défauts possibles de l'appareil.
- Produit non accessible pour faire les réparations nécessaires.
- Le service pour réparer ou remplacer les ampoules, à l'exception des lampes DEL.

EXCLUSION DES GARANTIES TACITES : Votre seule et unique voie de droit est la réparation du produit aux termes de la présente garantie limitée. Toutes les garanties tacites, y compris les garanties de valeur marchande ou d'adéquation à un usage particulier, sont limitées à une durée d'un an, ou à la durée la plus courte autorisée par la loi en vigueur.

Certains états/provinces n'acceptent pas d'exclusion ou de limites aux dommages indirects et consécutifs, il se peut donc que l'exclusion précédente ne s'applique pas dans votre cas. Cette garantie vous donne des droits juridiques précis et vous pourriez aussi avoir d'autres droits qui varient d'une juridiction à l'autre. Pour connaître vos droits juridiques dans votre état/province, consultez votre bureau des affaires aux consommateurs local ou d'état/province ou l'avocat général de votre état/province.

Garant aux É.-U. : General Electric Company,
Louisville, KY 40225

Garant au Canada : Mabe Canada Inc.



GE Consumer & Industrial
Appliances
General Electric Company
Louisville, KY 40225
monogram.com