

Installation Instructions

36" and 48"
Professional Rangetops

Tables de cuisson
professionnelles de 36" (91 cm)
et de 48" (122 cm)

Instructions d'installation

La section française commence à la page 18

Estufas profesionales
de 36" (91 cm) y 48" (122 cm)

Instrucciones de instalación

La sección en español empieza en la página 34



Safety Information

BEFORE YOU BEGIN

Read these instructions completely and carefully.

- **IMPORTANT** – Save these instructions for local inspector's use.
- **IMPORTANT** – Observe all governing codes and ordinances.
- **Note to Installer** – Be sure to leave these instructions with the Consumer.
- **Note to Consumer** – Keep these instructions with your Owner's Manual for future reference.
- **Completion Time** – 1 to 3 hours.
- Proper installation is the responsibility of the installer. Product failure due to improper installation is not covered under the warranty. See Owner's Manual for warranty information.

⚠ WARNING

This appliance must be properly grounded. Follow directions in "Electric Supply" of this manual. Failure to do so may result in electric shock.

For Monogram local service in your area, 1.800.444.1845.

For Monogram Service in Canada, call 1.800.561.3344.

For Monogram Parts and Accessories, call 1.800.626.2002.

If you received a damaged rangetop, you should contact your dealer.

In the Commonwealth of Massachusetts:

- This product must be installed by a licensed plumber or gas fitter.
- When using ball type gas shut off valves, they shall be T-handle type.
- A flexible gas connector, when used, must not exceed 3 feet.

If sold outside the U.S. and Canada:

⚠ WARNING: If you wish to use this product with Liquefied Petroleum (LP) gas containing greater than 10% butane, you must purchase the butane conversion kit #WB28K10589. To order, please call 1.888.664.8403 or 1.787.276.4051. Failure to do so may result in carbon monoxide or fire hazard.

Vent hood Combinations:

It is recommended that these rangetops be installed in conjunction with a suitable overhead vent hood.

- Install a hood with at least 1200 CFM above a 48" wide rangetop.
- Install a hood with at least 600 CFM above a 36" rangetop.

Due to the high heat capacity of this unit, particular attention should be paid to the hood and ductwork installation to assure it meets local building codes.

⚠ WARNING:

Do not install this product with an air curtain hood or other range hood that operates by blowing air down on the cooktop. This airflow may interfere with operation of the gas burners resulting in fire or explosion hazard.

Clearances to horizontal surfaces above the range, measured to the cooking surface are below. Failure to comply may result in fire hazard.

- Installations without a hood require 48" minimum to combustibles.
- A custom hood installation with exposed horizontal combustibles surfaces must have an Auto-On feature.
- For other installations with a hood, refer to hood installation instructions for specific hood clearances.

⚠ CAUTION:

These rangetops are extremely heavy. Due to the weight and size of the rangetop and to reduce the risk of personal injury or damage to the product:

TWO PEOPLE ARE REQUIRED FOR PROPER INSTALLATION.

Installation must conform with local codes. In the absence of local codes, the rangetop must comply with the National Fuel Gas Code, ANSI Z223.1/ NFPA 54, latest edition and National Electrical Code ANSI/NFPA 70 latest addition. In Canada, installation must conform with the current Natural Gas Installation Code, CAN/CGA-B149.1 or the current Propane Installation Code, CAN/CGA-B149.2, and with local codes where applicable. This rangetop has been design-certified by CSA International according to ANSI Z21.1, latest edition and Canadian Gas Association according to CAN/CGA-1.1 latest edition.

Leak testing of the appliance shall be conducted according to the manufacturer's instructions.

Design Information

CONTENTS

Design Information

Models Available.....	3
Backsplash Accessories.....	3
Product Dimensions and Clearances for 48" Wide Models.....	4
Product Dimensions and Clearances for 36" Wide Models.....	5
Installation Options	6

Installation Preparation

Tools and Materials Required	7
Power Supply Locations	7
Remove Packaging.....	8

Installation Instructions

Step 1, Cut the Countertop Opening.....	9
Step 2, Install the Rangetop.....	10
Step 3, Connect Rangetop to Gas.....	10
Step 4, Connect Electrical.....	11
Step 5, Check Burners	11
Finalize Installation.....	11
Installation Checklist.....	11
Install the Rangetop Backsplash Accessory.....	12
Install the Adjustable Backsplash Accessory.....	13, 14
Gas Conversion	15-17

MODELS AVAILABLE

Monogram rangetops are factory set for natural gas or LP gas. Order the model for your installation situation.

48" Natural Gas Models:

ZGU484NG – 4 gas burners, grill and griddle
 ZGU486NR – 6 gas burners and grill
 ZGU486ND – 6 gas burners and griddle

48" LP Gas Models:

ZGU484LG – 4 gas burners, grill and griddle
 ZGU486LR – 6 gas burners and grill
 ZGU486LD – 6 gas burners and griddle

36" Natural Gas Models:

ZGU364ND – 4 gas burners and griddle
 ZGU364NR – 4 gas burners and grill
 ZGU366N – 6 gas burners

36" LP Gas Models:

ZGU364LD – 4 gas burners and griddle
 ZGU364LR – 4 gas burners and grill
 ZGU366L – 6 gas burners

BACKSPLASH ACCESSORIES

All models require 12" minimum clearance to a vertical combustible surface at the rear. If clearance is less than 12", the entire surface of the back wall above the countertop and the full width of the rangetop must be protected by a backsplash. The backsplash must be constructed of non-combustible material, such as metal, ceramic tile, brick, marble or other stone.

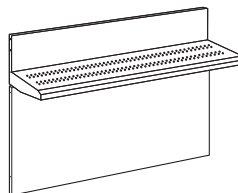
Two Backsplash Accessories Available:

- The 12" high stainless steel backsplash accessory is available. Use this backsplash in combination with a custom, non-combustible backsplash built beyond the 12" height. The combined height of the backsplash accessory and the custom backsplash must reach the bottom of a hood, or when there is no hood, to 48" above the cooking surface.

- An adjustable 30" to 36" high backsplash with shelf is also available. This backsplash fills in the space between the top of the rangetop and the bottom of the hood. The shelf is positioned so that heat lamps from the bottom of a Monogram professional hood are directed towards the shelf.



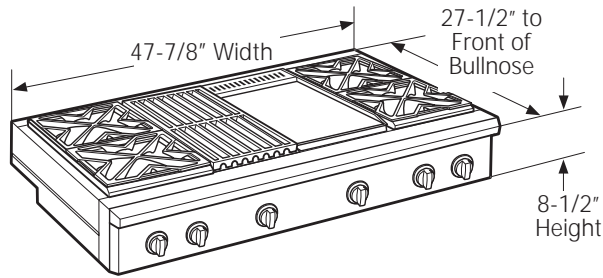
12" High Backsplash
 ZX12B48PSS, for 48" wide rangetops
 ZX12B36PSS, for 36" wide rangetops



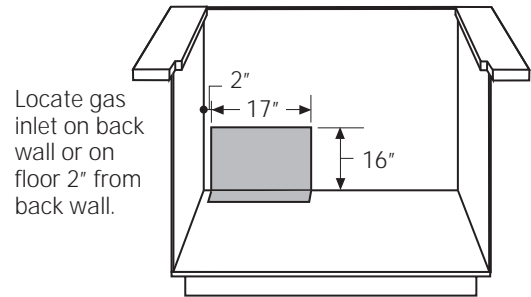
30" to 36" Adjustable Height
 Backsplash With Shelf
 ZXADJB48PSS, for 48" wide rangetops
 ZXADJB36PSS, for 36" wide rangetops

Design Information

PRODUCT DIMENSIONS AND CLEARANCES FOR 48" MODELS



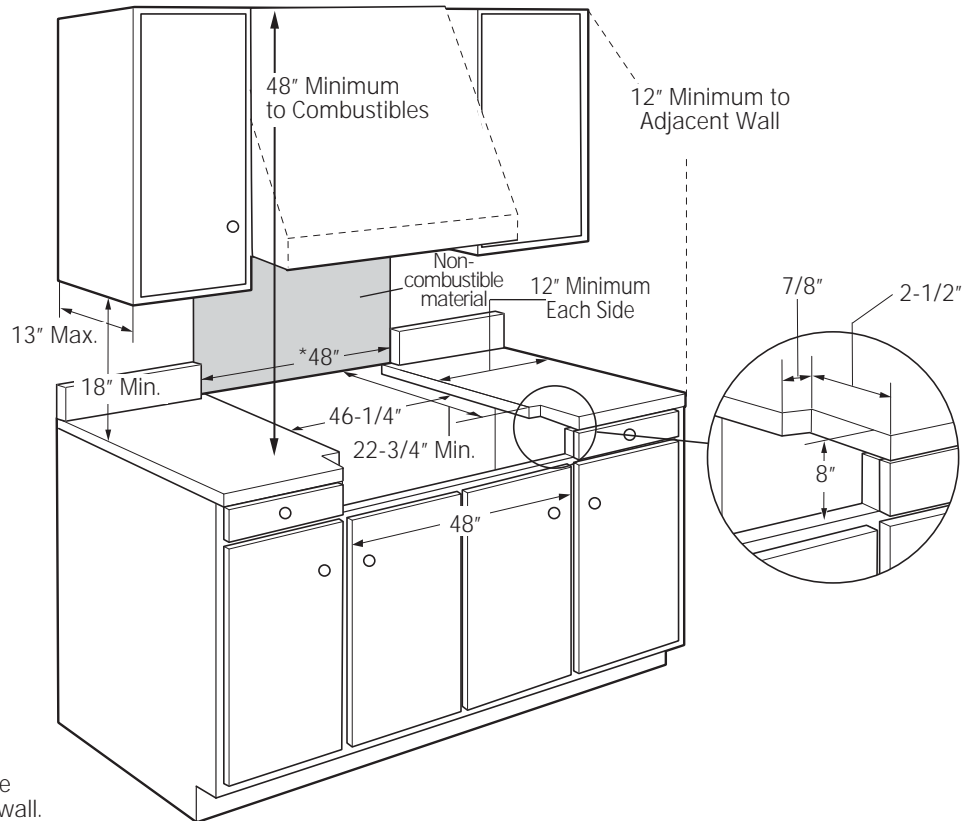
Universal Utility Locations



⚠ WARNING:

Installations without a hood require 48" minimum to combustibles above the rangetop. A custom hood installation with exposed horizontal combustible surfaces must have an Auto-On feature. Refer to hood installation instructions for specific hood clearances.

The surface of the entire back wall above the countertop and below the hood must be covered with a non-combustible material such as metal, ceramic tile, brick, marble or other stone.



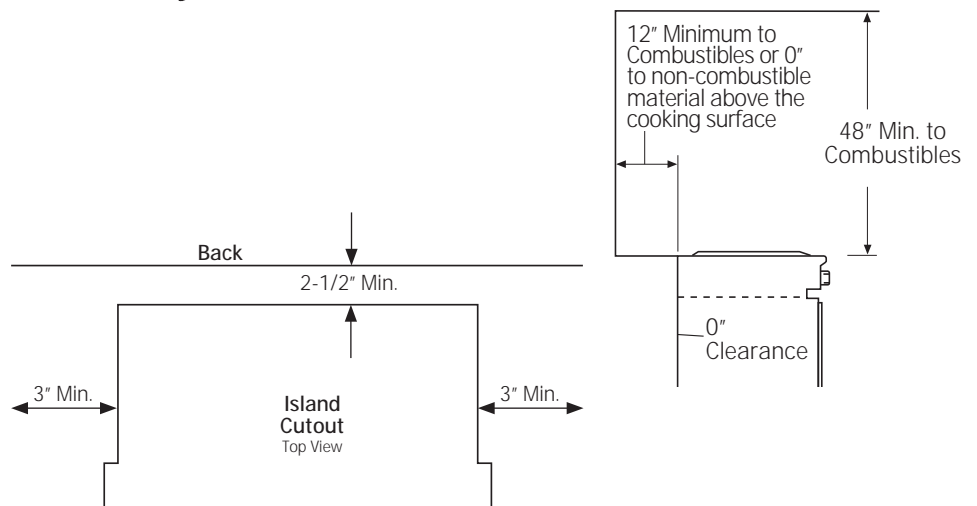
* The opening between a 4" high backsplash must be 48" to allow the rangetop to slide back against the wall.

ADDITIONAL CLEARANCES:

Allow 12" minimum clearance to an adjacent wall on each side.

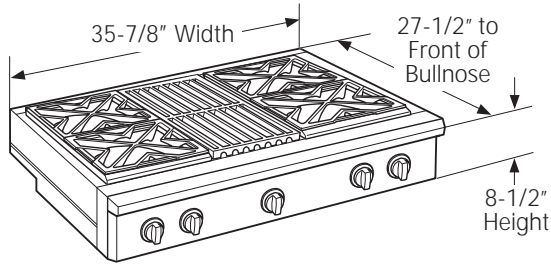
Working areas adjacent to the rangetop should have 18" minimum clearance between countertop and the bottom of the wall cabinet.

For island installation, maintain 2-1/2 in. minimum from cutout to back edge of countertop and 3 in. minimum from cutout to side edges of countertop (see top view).

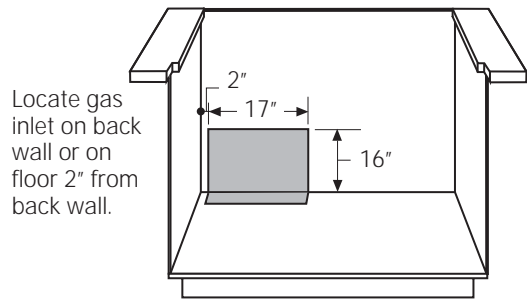


Design Information

PRODUCT DIMENSIONS AND CLEARANCES FOR 36" MODELS



Universal Utility Locations

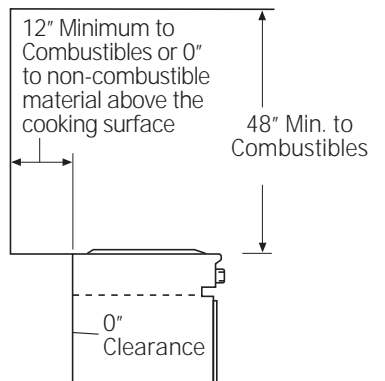
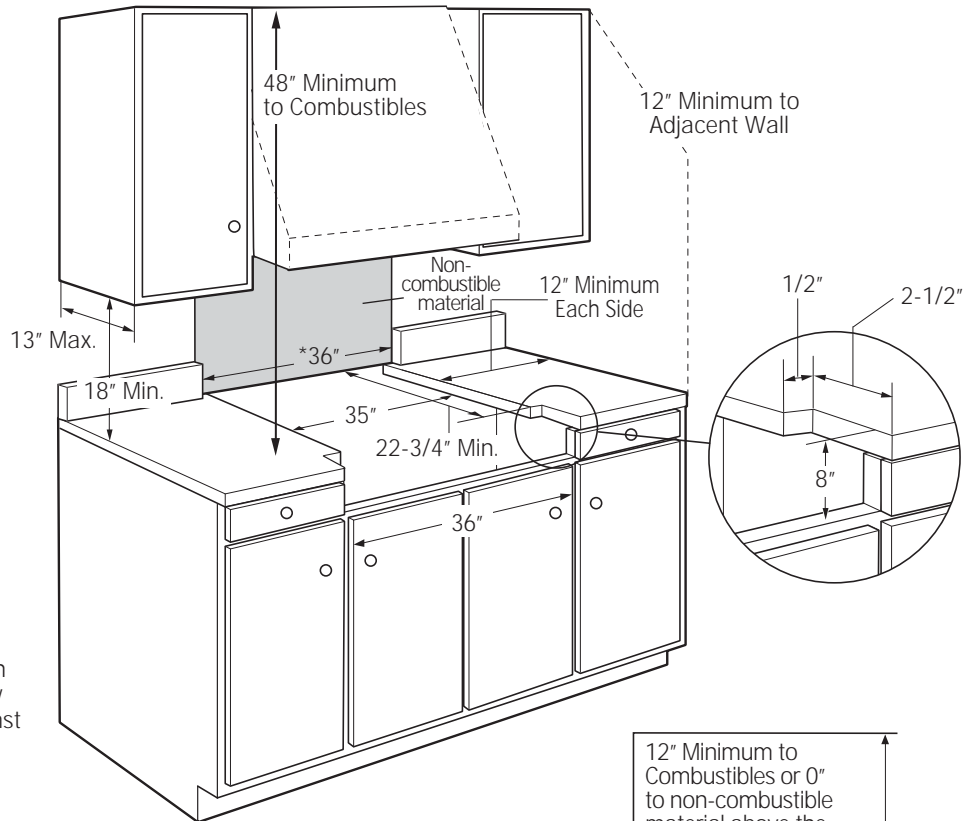


⚠ WARNING:

Installations without a hood require 48" minimum to combustibles above the rangetop. A custom hood installation with exposed horizontal combustible surfaces must have an Auto-On feature. Refer to hood installation instructions for specific hood clearances.

The surface of the entire back wall above the countertop and below the hood must be covered with a non-combustible material such as metal, ceramic tile, brick, marble or other stone.

* The opening between a 4" high backsplash must be 36" to allow the rangetop to slide back against the wall.

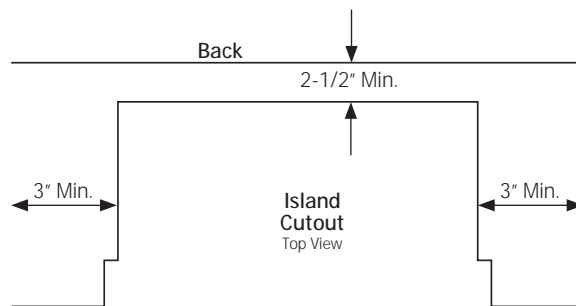


ADDITIONAL CLEARANCES:

Allow 12" minimum clearance to an adjacent wall on each side.

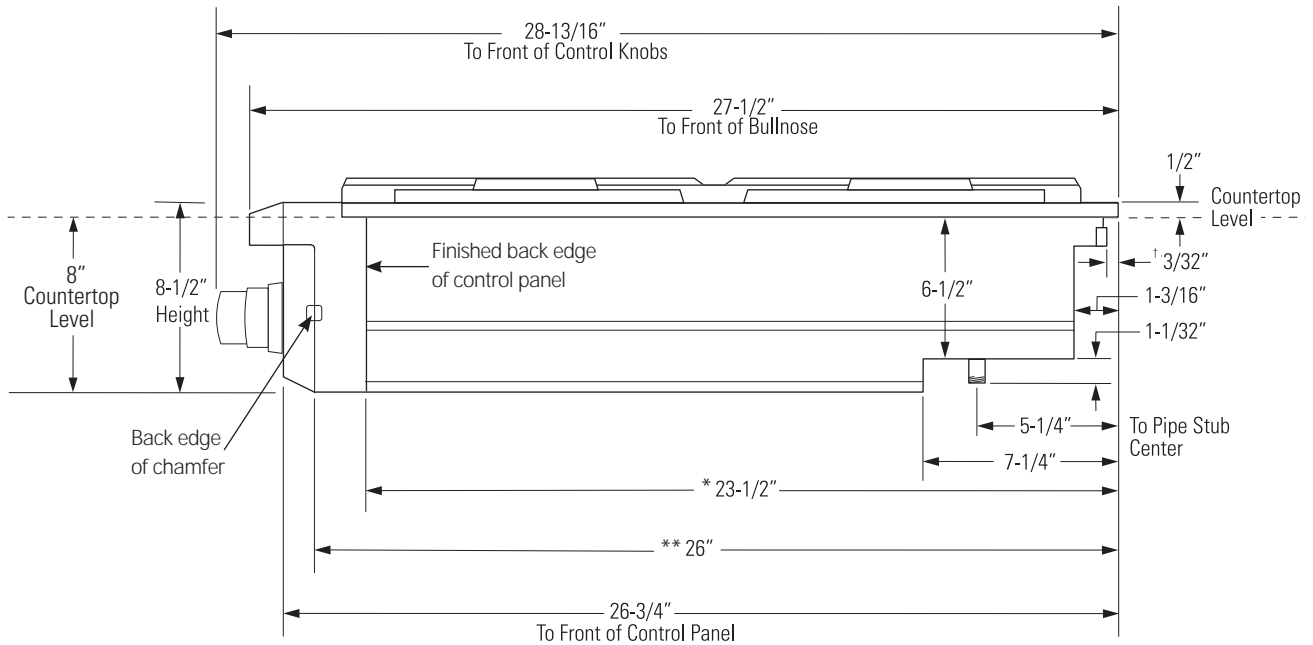
Working areas adjacent to the rangetop should have 18" minimum clearance between countertop and the bottom of the wall cabinet.

For island installation, maintain 2-1/2 in. minimum from cutout to back edge of countertop and 3 in. minimum from cutout to side edges of countertop (see top view).



Design Information

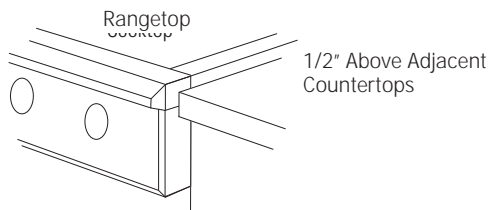
INSTALLATION OPTIONS



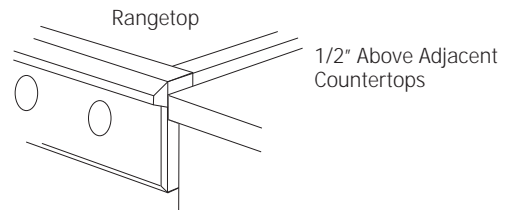
† Include the overhang of the rear trim when countertop continues behind the product. The overhang is decorative only. The weight of the rangetop is fully supported by the side trims.

* Minimum cabinet cutout depth from the back of the rear trim to the back finished edge of the control panel - typically, the minimum cabinet depth (front to back). Maximum cabinet cutout depth is 26" minus the countertop overhang.

** Maximum countertop cutout depth from the back of the rear trim to the back edge of chamfer at the sides of the control panel - typically, the maximum countertop cutout depth (front to back). Minimum countertop cutout depth is 25-1/4".



Control panel projects forwards from standard depth cabinets.



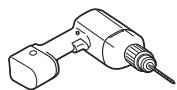
Front of deep cabinets can align with control panel beveled edge.

Installation Preparation

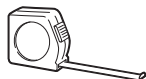
TOOLS REQUIRED



Saber Saw



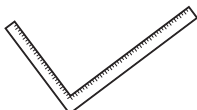
Drill and Appropriate Bits



Measuring Tape



Adjustable Wrench



Carpenter's Square



1/4" Driver or Wrench



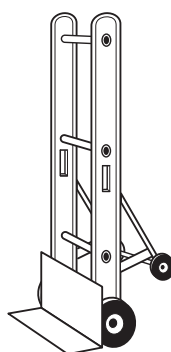
Safety Glasses



Phillips #2 Screwdriver

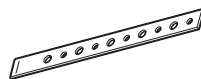


Level

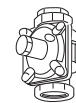


Hand Truck

MATERIALS PROVIDED



Hold-Down Strap

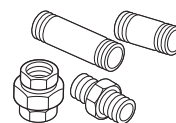


Regulator

MATERIALS REQUIRED (not provided)



Joint Sealant



Pipe Fittings



Shut-Off Valve



5-foot maximum length, 5/8" O.D. CSA-approved flexible metal gas supply (3-foot maximum length in Massachusetts only)

NOTE: Purchase new flexible line; do not use previously used flexible gas line.

POWER SUPPLY LOCATIONS

Gas Supply:

- The natural gas models are designed to operate at 5" water column pressure. For proper operation, the pressure of the natural gas supplied to the regulator must be between 7" and 13" water column.
- The LP models are designed to operate at 10" water column pressure. For proper operation, the pressure of the LP gas supplied to the regulator must be between 11" and 13" water column.
- Locate the pipe stub on the back wall or floor (see "Product Dimensions and Clearances"). Use 5-foot maximum length, 5/8" O.D. flexible gas supply line (3-foot in Massachusetts).
- Install a manual shut-off valve in the gas line (not provided), in an easily accessible location. Make sure the homeowner knows where and how to shut off the gas supply to the rangetop.

Electric Supply:

These rangetops must be supplied with 120 volt, 60 Hz., and connected to a dedicated, properly grounded branch circuit protected by a 15 amp circuit breaker or time delay fuse.

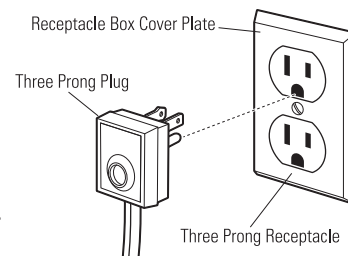
The power cord of this appliance is equipped with a three-prong (grounding) plug which mates with a standard three-prong grounding wall receptacle to minimize the possibility of shock hazard from this appliance.

If the electrical service provided does not meet the above specifications, it is recommended that a licensed electrician install an approved outlet.

DO NOT, UNDER ANY CIRCUMSTANCES, CUT OR REMOVE THE THIRD (GROUND) PRONG FROM THE POWER CORD.

DO NOT USE AN EXTENSION CORD WITH THIS APPLIANCE.

- Locate the electric supply within the area shown or within reach of the rangetop's four-foot power cord.
- To avoid tangling cord with items stored in the cabinet, locate the receptacle on rear wall, inside the cabinet.



Installation Preparation

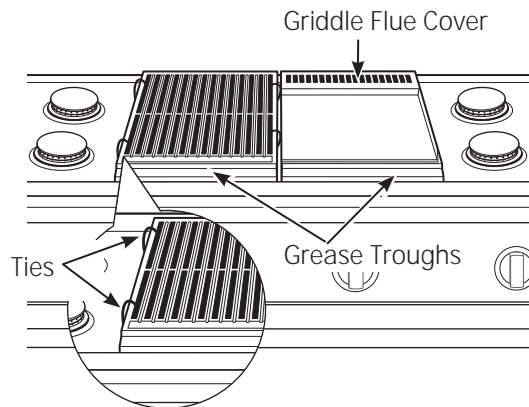
REMOVE PACKAGING

⚠ CAUTION

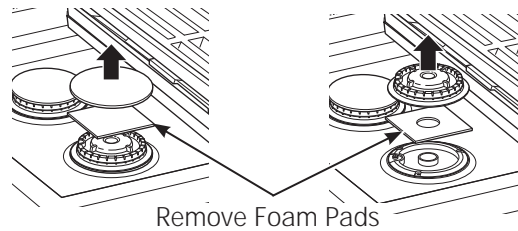
Stand clear. The ends of the cut metal banding may snap toward you.

- Cut the metal banding.
- Remove packaging tape and foam. Dispose of packaging materials properly.
- Remove grill/griddle covers, grill grate and burner grates.
- Lift out cast-iron griddle flue cover, grease troughs and pads.

- Cut the ties holding the grill grate to the grill frame.

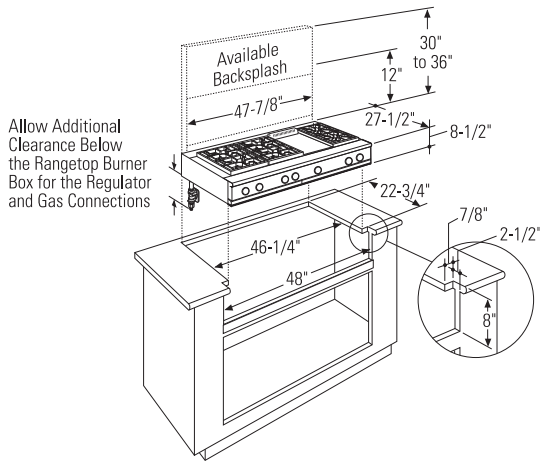


- Lift off burner caps and remove foam pad, then lift off burner heads and remove foam pad.



Installation

STEP 1 CUT THE COUNTERTOP OPENING

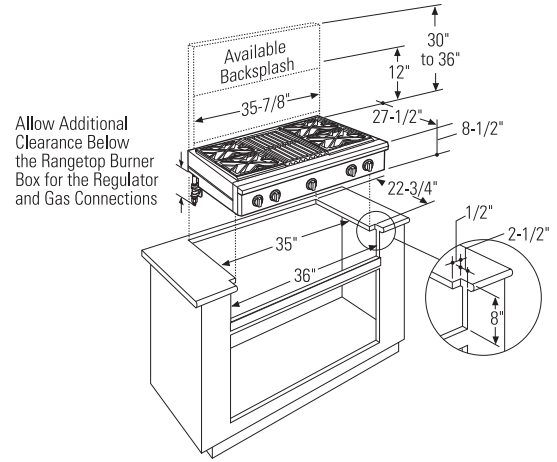


48" wide models are designed to fit in 48" or wider base cabinets

Measure carefully when cutting the countertop. Make sure sides of the opening are parallel.

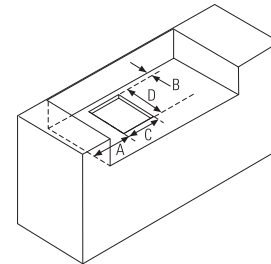
- Allow 8" free space below the top surface of the countertop.
- Allow additional clearances below the burner box to install the regulator and make house supply connections. Use a 90° elbow to route the gas connections and limit interference with drawers or other cabinetry features.
- These rangetops are designed to hang from the countertop by their side flanges.
- Smooth any rough edges on the countertop before installing the rangetop.
 - Formica countertop edges must be finished.

The countertop must be strong enough to support the weight of the rangetop.



36" wide models are designed to fit in 36" or wider base cabinets

Cutout Opening with False Bottom



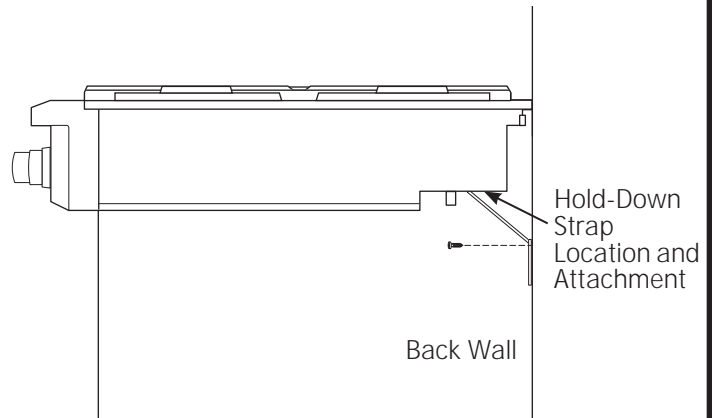
Dimensions				
	A (Dia.)	B	C	D
36" Rangetop	7-3/8"	1-1/2"	7-1/2"	11-1/8"
48" Rangetop	8-1/4"	1-1/2"	7-1/2"	11-1/8"

- You can construct the cutout with a false bottom to conceal the bottom of the rangetop.
 - Build the false bottom using a solid material; cut a 7-1/2" x 11-1/8" hole in the left rear corner for the gas inlet and power cord clearances.

Installation

STEP 2 INSTALL RANGETOP

- Slide the rangetop into the opening. Make sure the rangetop is evenly seated and supported.
- A hold-down strap with screws is provided to secure the rangetop to the rear or side cabinet walls.
- Remove the hold-down strap from the back of the rangetop. Attach one end of the strap to the back of the rangetop.
- Secure the other end of the strap as high as possible to the cabinet back wall or adjacent cabinet. Keep the strap as short as possible for better security.



STEP 3 CONNECT RANGETOP TO GAS

⚠ WARNING

Do not use a flame to check for gas leaks.

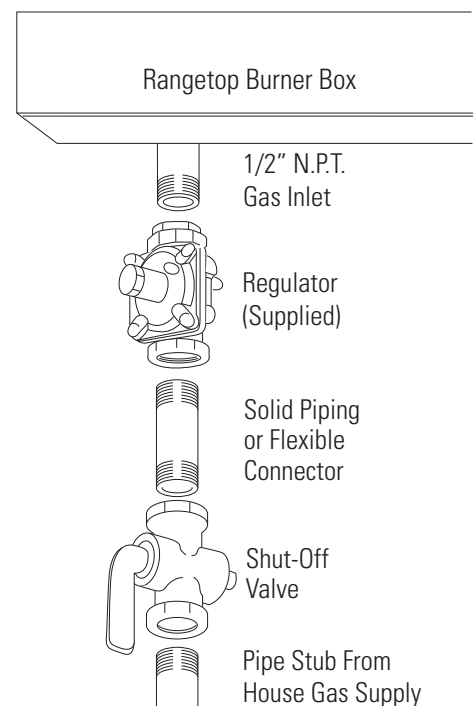
A manual shut-off valve must be installed where it will be accessible.

Assure that gas is turned off at the shut-off valve.

- Install the supplied pressure regulator onto the end of the gas inlet.
- You can install a 90° elbow (not provided) onto the gas inlet and route the gas connections to avoid interference with drawers or other cabinetry features. However, it is not recommended because it will result in a drop in gas pressure.
- Make sure the regulator is installed in the right direction. See arrow on the underside of the regulator.

NOTE: Instead of using solid piping to connect to pressure regulator, an approved flexible metal appliance connector may be used between the pipe stub and the shut-off valve to the pressure regulator, if local codes permit.

- Turn on gas and check for leaks:
 - Use a liquid leak detector at all joints and connections in the system.



IMPORTANT: Disconnect the rangetop and the individual shut-off valve from the gas supply piping system during any pressure testing of that system at test pressures greater than 1/2 psig. Isolate the rangetop from the gas supply piping system by closing the individual manual shut-off valve to the rangetop during any pressure testing of the gas supply piping system at test pressures equal to or less than 1/2 psig.

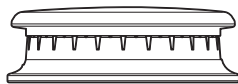
Installation

STEP 4 CONNECT ELECTRICAL

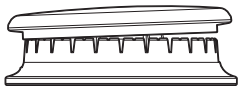
- Plug power cord into properly grounded receptacle.
- Press the button on the left side of the control panel. The lights above the knobs should illuminate.

STEP 5 CHECK BURNERS

Check to be sure that burner heads and caps are securely seated.



Burner Cap Properly Seated



Burner Cap Not Properly Seated

- Check for proper ignition:
 - Push in one control knob and turn to LITE position.
 - The igniter will spark and the burner will light; the igniter will cease sparking when the burner is lit.
 - First test may require some time, while air is flushed out of the gas line.
 - Turn knob to OFF.
 - Repeat the procedure for each burner.

IMPORTANT: If the igniter electrodes continue to spark after the burners are lit, check that each burner component is assembled properly. Refer to the Owner's Manual.

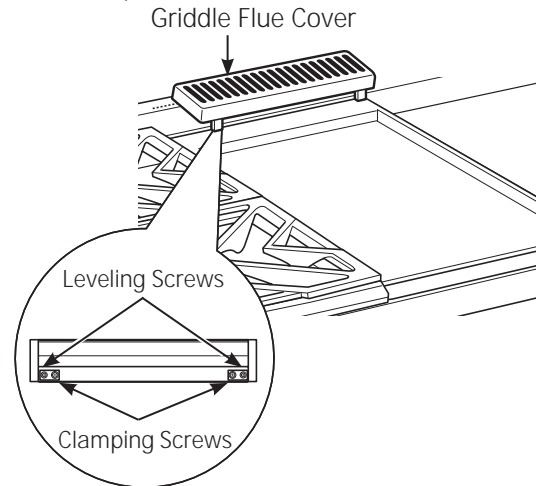
- Burner flames should be blue and stable with no yellow tips, excessive noise or lifting of the flame from the burner. If any of these conditions exist, check that the burner ports are not blocked. If one of these conditions continues, call for service.

FINALIZE INSTALLATION

Place the burner grates over the burners. The grates should be seated and should not rock.

The griddle is secured with screws. It is designed to be stationary and should not be removed.

The griddle has two leveling screws beneath the rear flue cover that can be used to adjust to the desired slope.



The two inner screws are clamping screws for securing the griddle in place. Loosen these two screws before leveling. Do not remove these two screws.

The two outer screws are leveling screws. Do not remove these two screws. They can be turned to level the griddle or to provide a forward slope to help grease and oils to drain away from the food being cooked.

After leveling the griddle, hand-tighten the clamping screws; do not over-tighten.

INSTALLATION CHECKLIST

- Make sure all controls are left in the OFF position.
- Make sure the flow of combustion and ventilation air to the rangetop is unobstructed.
- The serial plate for your rangetop is located on the bottom of the rangetop. In addition to the model and serial numbers, it tells you the ratings of the burners and the type of fuel and pressure the rangetop was adjusted for when it left the factory.
- **Recheck Steps:**
Double check to make sure everything in this manual has been completed. Rechecking steps will ensure safe use of the rangetop.

ZX12B30PSS, ZX12B36PSS, ZX12B48PSS Accessory Installation

OPTIONAL ACCESSORIES—12" HIGH BACKSPLASH

⚠ WARNING:

To prevent ignition of combustible materials, the entire back wall above the range must be protected by a backsplash constructed of non-combustible material.

This stainless steel backsplash accessory must be installed in combination with a custom, non-combustible backsplash built beyond the 12" height of the backsplash.



BEFORE YOU BEGIN

Read these instructions completely and carefully.

IMPORTANT: Save these instructions for local inspector's use.

IMPORTANT: OBSERVE ALL GOVERNING CODES AND ORDINANCES.

NOTE TO INSTALLER: Be sure to leave these instructions with the Consumer.

NOTE TO CONSUMER: Keep these instructions with your Owner's Manual for future reference.

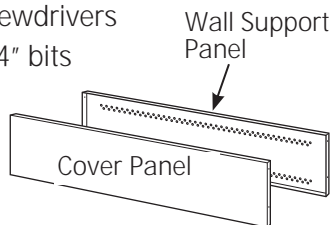
This kit provides for the installation of a 12" high backsplash for 30", 36" or 48" Monogram Professional Ranges and Rangetops.

TOOLS AND MATERIALS REQUIRED

- Gloves to protect against sharp edges
- T-15 and #2 Phillips screwdrivers
- Drill with 3/32" and 9/64" bits
- Safety glasses
- Level
- Pencil

This Kit Includes

- Wall support panel
- Cover panel
- Hardware package with
 - 5 Stainless Steel Torx 15 #8 self-tapping screws
 - 5 Phillips #2 pan head wood #10 screws

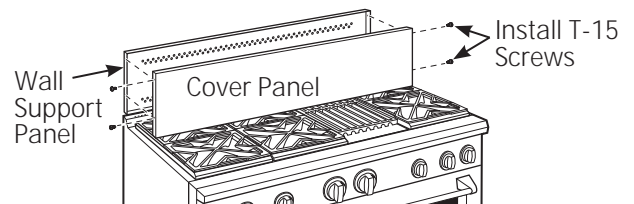
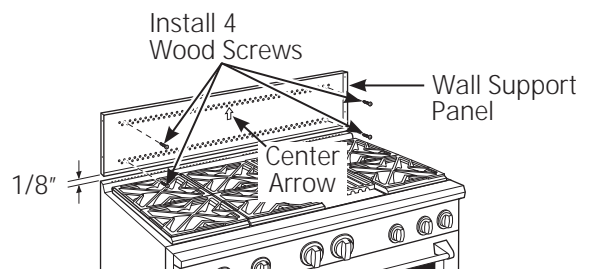


Hardware Package

INSTALL 12" BACKSPLASH

⚠ WARNING: This backsplash must be securely fastened to the wall. Failure to do so could result in damage or personal injury.

- Install and level the range or rangetop and the range hood according to the installation instructions.
- Remove the backsplash packaging and protective film.
- Use a level to pencil a horizontal line on the wall, 1/8" above the range or rangetop. The 1/8" gap allows the cover panel to overlap the wall support panel.
- Locate wall studs on each side. Where studs are not available, plan to use wall anchors (not provided).
- Align the wall support panel on the marked horizontal line and centered left to right.
- The wall support panel must be secured to the wall at all 4 corners. Use wood screws (provided) or wall anchors (not provided) to secure the support panel to the wall.
- Place the cover panel over the wall support panel and secure with Torx screws (provided). Install 2 screws on each side.



ZXADJB30PSS, ZXADJB36PSS, ZXADJB48PSS Accessory Installation

ACCESSORIES—30" TO 36" ADJUSTABLE BACKSPLASH (not included)

⚠ WARNING:

To prevent ignition of combustible materials, the entire back wall above the range must be protected by a backsplash constructed of non-combustible material.



BEFORE YOU BEGIN

Read these instructions completely and carefully.

IMPORTANT: Save these instructions for local inspector's use.

IMPORTANT: OBSERVE ALL GOVERNING CODES AND ORDINANCES.

NOTE TO INSTALLER: Be sure to leave these instructions with the Consumer.

NOTE TO CONSUMER: Keep these instructions with your Owner's Manual for future reference.

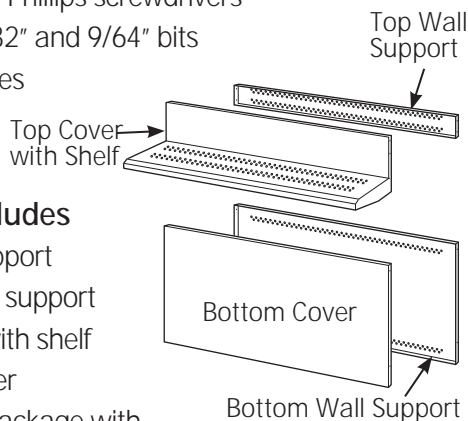
- This backsplash adjusts to fit the space between the top of the range and the bottom of the hood, from 30" Min. to 36" Max. height.
- Maximum shelf load-bearing weight is 40 lbs.

TOOLS AND MATERIALS REQUIRED

- Gloves to protect against sharp edges
- T-15 and #2 Phillips screwdrivers
- Drill with 3/32" and 9/64" bits
- Safety glasses
- Level
- Pencil

This Kit Includes

- Top wall support
- Bottom wall support
- Top cover with shelf
- Bottom cover
- Hardware package with
 - 9 Stainless Steel Torx 15 #8 self-tapping screws
 - 9 Phillips #2 pan head wood #10 screws
 - 3 Stainless Steel #2 truss head #10 screws (for alternate installation method)



Hardware Package

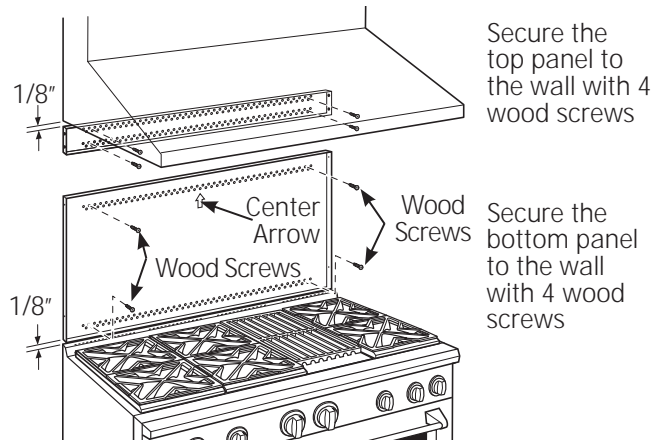
INSTALL THE WALL SUPPORT PANELS

⚠ WARNING: The wall support panels must be securely fastened to the wall. Failure to do so could result in damage or personal injury.

IMPORTANT: This backsplash is designed to cover the wall between the bottom of the hood and the top of the range. The vent hood should be installed over the rangetop or range before installing this backsplash.

- Install and level the Range/Rangetop according to the product installation instructions.
- Remove backsplash packaging and protective film.
- Locate wall studs on each side. Where studs are not available, plan to use wall anchors (not provided).
- Use a level to pencil 2 horizontal lines on the wall, one 1/8" below the vent hood and the other 1/8" above the Range/Rangetop. This 1/8" space allows the cover panels to overlap the wall supports.
- Secure the top wall support panel to the wall with 4 wood screws, through the outermost studs.
- Use 4 wood screws to secure the bottom wall support panel. The center slot should be positioned at the top.

The gap between the top and bottom support panels will be covered by the top cover with shelf.

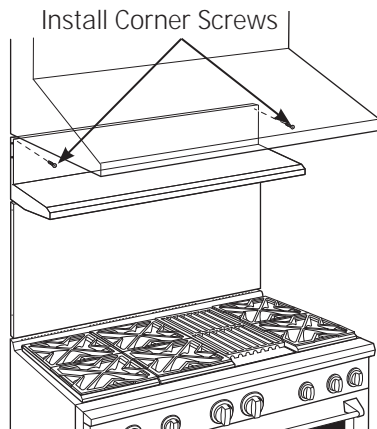
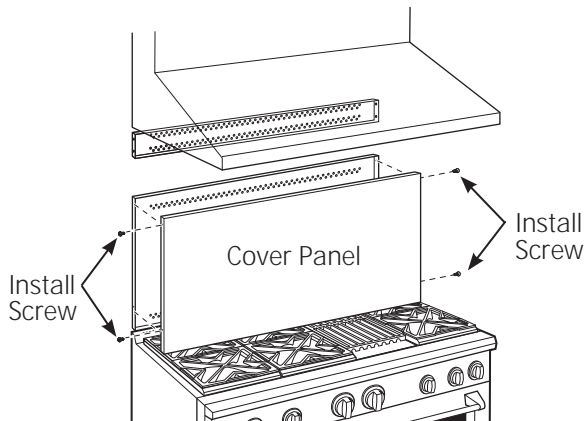


ZXADJB30PSS, ZXADJB36PSS, ZXADJB48PSS Accessory Installation

INSTALL COVER PANELS

See alternate method if side access is blocked.

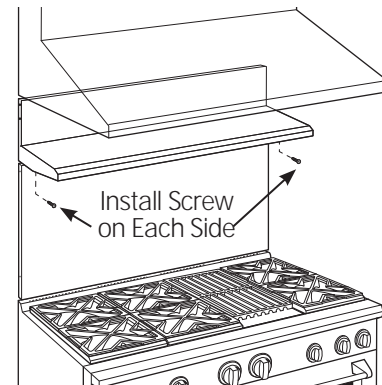
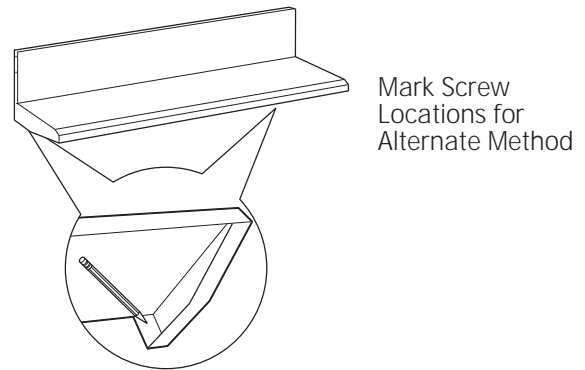
- Hold the bottom cover over the bottom support while driving one screw (provided) into each side.
- Place the top cover with shelf over the top wall support. If you have access to the sides, secure the panel with two screws on each side.
- Secure the top cover with shelf to the top support with screws through the front of the panel, at the top corners. Use one screw on each side.



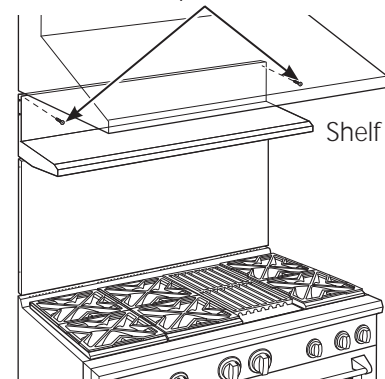
INSTALL COVER PANELS (cont.)

ALTERNATE METHOD: When side access is blocked

- Install bottom cover over the bottom support while driving one screw into each side.
- Hold top cover in place while marking screw locations, just below shelf support and onto bottom cover.
- Remove the shelf and drill a 9/64" diameter hole in the pencil-marked locations.
- Mount the top cover over the top support and secure the front cover with screws through the drilled holes on each side.
- Install screws through each top corner.



Install Screw in Top Corner on Each Side



Installation Instructions

Convert Natural Gas to LP Gas Operation Convert LP Gas to Natural Gas Operation

⚠ WARNING: This conversion must be performed by a qualified installer or gas supplier in accordance with the manufacturer's instructions and all codes and requirements of the authority having jurisdiction. Failure to follow instructions could result in serious injury or property damage. The qualified agency performing this work assumes responsibility for the conversion.

⚠ WARNING: The rangetop, as shipped from the factory, is set for use with its intended gas. If you wish to use your rangetop with the alternate gas, you must first replace the orifices and convert the pressure regulator.

⚠ WARNING: The following adjustments must be made before turning on the burner. Failure to do so could result in serious injury. Be sure pressure regulator has been converted as described in Step 2.

TOOLS YOU NEEDED FOR CONVERSION



Crescent Wrench



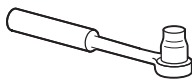
1/4" and 7mm
Nutdrivers



Safety Glasses



Small Flat-Head Screwdriver
(2 to 2.4 mm or 3/32" tip size,
60 mm long)



1/2" Deepwell
Socket Wrench



Small Pliers



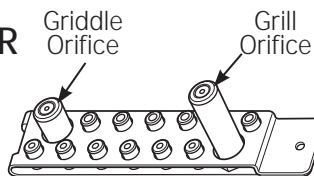
Phillips
Screwdriver

1 ORIFICE HOLDER

The range orifice holder is located behind the front access panel at the bottom of the range.

The rangetop orifice holder is located inside the range insulation cover.

Additional orifices may be present. Use only the orifices specified in the instructions for your range or rangetop.

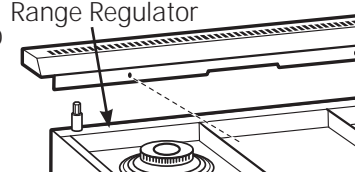


Burner Orifices

2 CONVERT THE REGULATOR

Disconnect all electrical power at the main circuit breaker or fuse box.

- A. Remove the rear vent trim (on ranges only) to access the regulator.



The Rangetop regulator is on the left bottom corner.

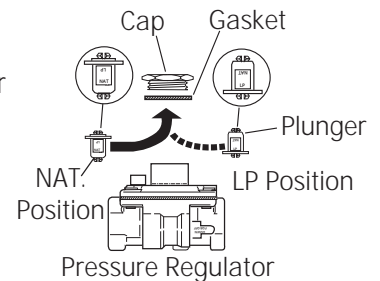
- B. Shut off the gas supply by closing the manual shut-off valve in the unit or at the wall.

- C. Convert the pressure regulator:

- Unscrew the cap with plunger.
- Place your thumb against flat side of the plunger and press down to snap the plunger out of the cap.

- Carefully look at the plunger to locate the NAT or LP position.
- Turn the plunger over so that the desired gas is showing near the bottom.

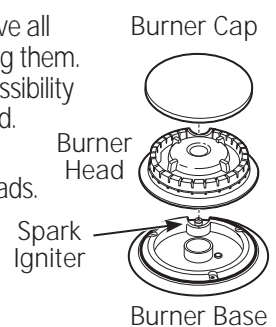
- Snap the plunger back into the cap.
- Screw the cap back onto the regulator.



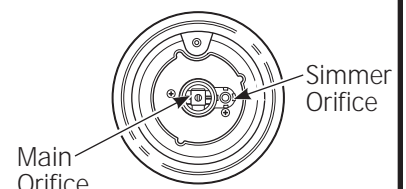
3 CHANGE BURNER ORIFICES

INSTALLATION TIP: First remove all orifices and then start replacing them. This will help to prevent the possibility that some may not be replaced.

- A. Remove the burner grates, burner caps and burner heads.
- B. Loosen the top burner orifices using a 7 mm nut driver. Use small pliers to carefully lift out the orifices.



The main orifice is located low in the center of the burner, while the simmer orifice is located higher beside the center of the burner.

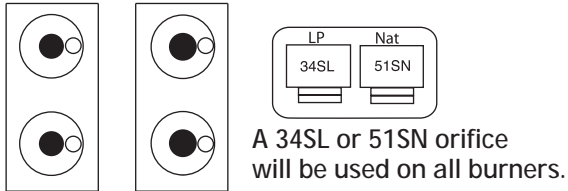


Installation Instructions for Gas Conversion

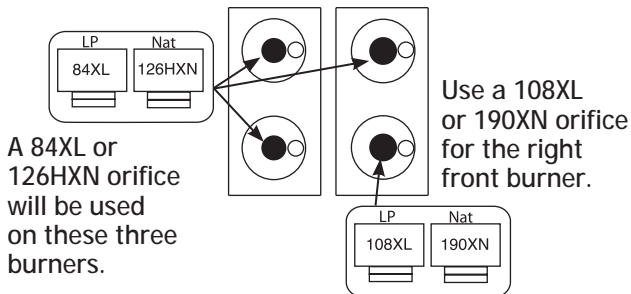
3 CHANGE BURNER ORIFICES (cont.)

IMPORTANT: Find your model number below. Read each orifice label to identify and install them in the exact locations shown.

ZDP304 SIMMER ORIFICES

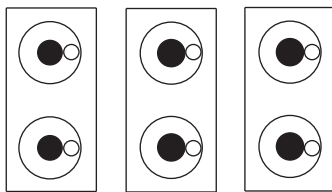


ZDP304 MAIN ORIFICES

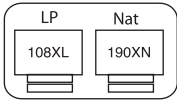


ZDP364, ZDP366, ZDP484, ZDP486

SIMMER ORIFICES A 34SL or 51SN orifice will be used on all burners.



MAIN ORIFICES Use 108XL or 190XN orifices for all burners.



- Return the unused orifices to the holder. Reattach the holder and the instruction sheet with screw in the original storage location.
- Replace the burner heads, caps and top grates. On range models, replace rear vent trim.

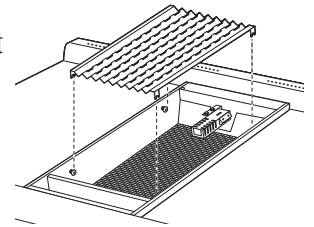
4 ** CHANGE GRILL ORIFICE (if present)

Locate the 1-1/2" long Grill orifice.
Select for your gas type. LP—.047, NAT—.067



4 ** CHANGE GRILL ORIFICE (cont.)

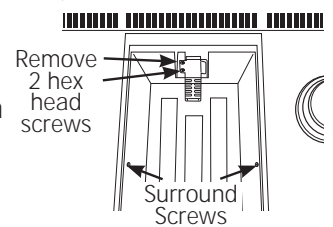
- Remove the grill cover, grates and grate frame. Lift the radiant baffle straight up and off.



- Remove the 2 hex head screws from the top of the igniter.

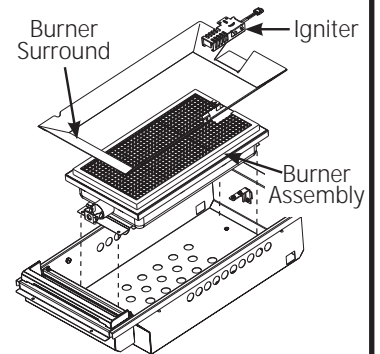
- Remove one screw from each side of the burner surround.

- Lift out the surround.



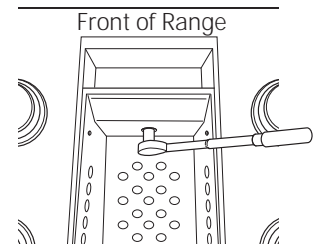
- Carefully push the igniter aside and under the burner. Do not pull or pinch the wire.

- Remove 4 burner attachment screws, 2 at the front and 2 at the back. Slide the burner assembly toward the back and out of the gas inlet.



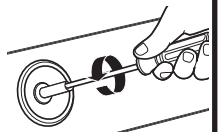
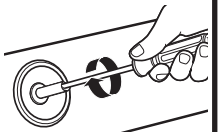
- Use a 1/2" deep well socket to remove and replace the orifice.

- Reverse these steps to re-assemble the grill. Be sure to place the unused orifice in the holder for possible future use.



- Adjust Grill "LO" Setting

- Make certain gas and electricity to unit are turned off.
- Turn the grill knob to **LO** and remove the knob by pulling straight off.
- Insert a small flat-blade screwdriver into the hole in the center of the valve stem to engage set screw.
- To convert the LO setting from natural gas to LP, turn the screw clockwise until it stops (about 3/4 turn). It may be necessary to grasp the exterior of the valve stem with a pair of pliers to prevent the valve stem from rotating as the set screw is adjusted.
- To convert the LO setting from the LP to natural gas setting, turn the screw counterclockwise about 3/4 turn.



Installation Instructions for Gas Conversion

5 CHANGE GRIDDLE ORIFICE (if present)

Locate the 3/4" long griddle orifice.
Select for your gas type. LP—.047, NAT—.076



- A. Lift off the griddle flue

Griddle Flue Cover



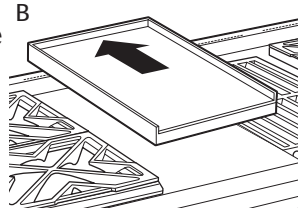
cover. Remove the 2 inside clamping screws.

- B. Lift out the cast-iron grease trough. Slide the griddle toward the rear and out of the hold-down tabs along the bottom.

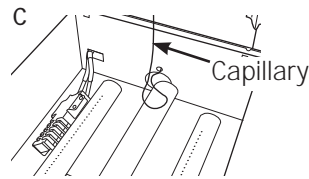


NOTE: Remove the 2 screws positioned on the inside only. Do not remove the outermost screws—they are for leveling.

- C. Carefully lift and hold the griddle while pulling additional length of the capillary from the entry hole. Stand the griddle on end in the grease sump.



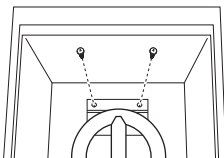
- D. Remove the 2 hold-down screws at the rear of the burner.



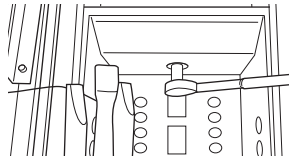
Pull the burner straight back toward the rear and out of the gas inlet.

- E. Use a 1/2" deepwell socket to remove and replace the orifice.

D Back of Range



E Front of Range



Reverse these steps to reassemble the griddle. Push excess capillary back into the entry hole. Place the unused orifice in the holder for possible future use.

6 ADJUST BURNER FLAMES

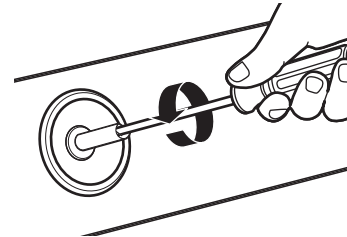
Normally, burners do not need further adjustment. Make adjustments only when necessary.

- A. Turn on the gas. Plug in electrical cord.
B. Turn all burners on highest setting and check the flames. They should be blue in color. When using LP gas, the flames may have some yellow tipping at the ends of the flame. Foreign particles in the gas line may cause an orange flame at first, but this will soon disappear.
C. Turn the burner knob to "LO" while observing the flame.

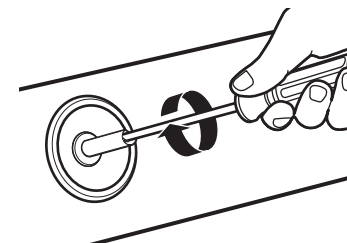
Adjust the setting of the upper row of flames using the valve bypass screw as follows:

Adjustments must be made with two other burners in operation on a medium setting. This prevents the upper row of flames from being set too low, resulting in the flame being extinguished when other burners are turned on.

- D. To adjust the flame, remove the knobs. Insert a small flat-blade screwdriver into the hole in the center of the valve stem to engage screw.



- If the flames are too small or flutter, turn the screw counterclockwise.



- If the flames are too large, turn the screw clockwise.

- E. Make the adjustment by slowly turning the screw until flame appearance is correct.

Once the conversion is complete and checked, fill out the conversion label and affix the label near the rating label. For ranges, place the label beneath the control panel. For rangetops, place the label on the bottom of the unit.

Consignes de sécurité

AVANT DE COMMENCER

Lisez attentivement l'ensemble des consignes.

- **IMPORTANT** — Conservez ces consignes, elles peuvent vous être utiles pour toute inspection de votre installation.
- **IMPORTANT** — Respectez toutes les normes ainsi que les recommandations préconisées par les autorités compétentes.
- **Remarque à l'attention de l'installateur** — Après intervention, assurez-vous d'avoir remis ces instructions à l'utilisateur.
- **Remarque à l'attention de l'utilisateur** — Conservez ces instructions avec le manuel de l'utilisateur pour toute consultation ultérieure.
- **Temps d'installation — 1 à 3 heures.**
- Il incombe à l'installateur de veiller à la bonne installation. Toute défaillance du produit due à une installation non conforme ne pourra être couverte par la garantie. Pour tout complément d'information, reportez-vous au manuel de l'utilisateur.

⚠ AVERTISSEMENT

Cet appareil doit être correctement mis à la terre. Veuillez suivre les directives données à la section «Alimentation électrique» du présent manuel. Le non-respect de ces directives pourrait occasionner un choc électrique.

Pour contacter le service de dépannage Monogram le plus proche de chez vous, veuillez téléphoner au numéro suivant : 1.800.444.1845.

Pour contacter le service de dépannage Monogram du Canada, veuillez appeler le numéro suivant : 1.800.561.3344.

Pour contacter le centre d'accessoires et de pièces détachées Monogram, veuillez téléphoner au numéro suivant : 1.800.626.2002.

Si vous recevez une table de cuisson défectueuse, veuillez contacter votre revendeur.

Dans le Commonwealth of Massachusetts (Communauté du Massachusetts) :

- Ce produit doit être installé par un plombier ou un technicien de gaz domestique agréé.
- Si vous utilisez des robinets de gaz, ceux-ci doivent être de type 1/4 de tour.
- Si vous utilisez un raccord à gaz flexible, celui-ci ne doit pas mesurer plus de 3 pieds (100 cm).

Si l'article est vendu à l'extérieur des É.-U. ou du Canada :

⚠ AVERTISSEMENT : Si vous souhaitez utiliser ce produit avec un gaz de pétrole liquéfié (GPL) qui contient plus de 10 % de butane, vous devez acheter un nécessaire de conversion au butane n° WB28K10589. Pour commander, veuillez composer le 1.888.664.8403 ou le 1.787.276.4051. Le non-respect de cette consigne pourrait présenter un risque d'incendie ou d'intoxication au monoxyde de carbone.

Dispositions de hotte d'extraction :

Il est recommandé d'installer nos tables de cuisson sous une hotte d'extraction adaptée.

- Installez une hotte disposant d'une capacité d'évacuation d'au moins 1200 CFM à une distance de 48" (122 cm) de la table de cuisson.
- Installez une hotte disposant d'une capacité d'évacuation d'au moins 600 CFM au dessus d'une table de cuisson de type 36" (91 cm).

Cet appareil produit une importante quantité de chaleur et de ce fait, vous devez porter une attention toute particulière à l'installation de la hotte ainsi qu'à celle de la conduite d'aération afin de vous assurer qu'elle répond aux normes de construction en vigueur dans votre région.

⚠ AVERTISSEMENT :

Ne pas installer ce produit si l'on utilise une hotte à rideau d'air ou une hotte de cuisinière soufflant l'air au-dessus de la surface de cuisson. Le débit d'air peut nuire au fonctionnement des brûleurs à gaz et représente un risque d'incendie ou d'explosion.

Il faut prévoir les dégagements ci-dessous par rapport aux surfaces horizontales qui se trouvent au-dessus de la cuisinière. Le non-respect de cette consigne pourrait présenter un risque d'incendie.

- Pour les installations dépourvues de hotte, prévoyez un espace minimum de 48" (122 cm) entre l'appareil et tout élément inflammable situé au-dessus de celui-ci.
- Il est possible d'installer une hotte spéciale à proximité d'éléments horizontaux inflammables dans la mesure où celle-ci dispose d'une fonction de mise en marche automatique.
- Pour obtenir les spécifications relatives aux espaces d'autres installations pourvues d'une hotte, veuillez vous reporter aux instructions fournies avec celle-ci.

⚠ ATTENTION :

nos tables de cuisson sont extrêmement lourdes. Afin d'éviter tout risque de blessure ou d'endommagement de l'appareil et tenant en compte le poids ainsi que la taille de la cuisinière : **DEUX PERSONNES SONT NÉCESSAIRES POUR UNE INSTALLATION ADÉQUATE DE L'APPAREIL.**

L'installation doit respecter les normes établies dans votre région. En l'absence de celles-ci, la table de cuisson doit être installée suivant la dernière édition du National Fuel Gas Code, ANSI Z223.1/NFPA 54, et la dernière mise à jour du National Electrical Code ANSI/NFPA 70. Au Canada, l'installation doit respecter la loi en vigueur spécifiée par le Natural Gas Installation Code, CAN/CGA-B149.1 ou le Propane Installation Code, CAN/CGA-B149.2 en vigueur, et ses lois qui entrent dans son domaine d'application. Cette cuisinière a été conçue et certifiée par CSA International et dans le respect de la dernière édition de la norme ANSI Z21.1, ainsi que le Canadian Gas Association (Association canadienne du gaz) et dans le respect de la dernière édition de la norme CAN/CGA-1.1.

Veuillez vous reporter aux consignes du fabricant pour vérifier la présence de fuites.

Caractéristiques

TABLE DES MATIÈRES

Caractéristiques	
Modèles disponibles.....	19
Accessoires du dossieret.....	19
Dimensions du produit et espaces requis pour les modèles d'une largeur de 48" (122 cm).....	20
Dimensions du produit et espaces requis pour les modèles d'une largeur de 36" (91 cm).....	21
Options d'installation.....	22
Préparation de l'installation	
Outils et matériel requis.....	23
Emplacement des alimentations.....	23
Sortez l'appareil de son emballage.....	24

Consignes d'installation

Étape 1, Découpez l'ouverture sur le plan de travail.....	25
Étape 2, Installez la table de cuisson.....	26
Étape 3, Raccorder la table de cuisson à l'alimentation en gaz.....	26
Étape 4, Branchez à la prise électrique.....	27
Étape 5, Vérifiez les brûleurs.....	27
Terminez l'installation.....	27
Liste de vérification pour l'installation.....	27
Installez le dossieret de la table de cuisson.....	28
Installation d'accessoires.....	29, 30
Conversion de gaz.....	31-33

MODÈLES DISPONIBLES

Les tables de cuisson Monogram sont conçues en usine pour le gaz naturel ou pour le gaz propane. Commandez le modèle correspondant à votre installation domestique.

Modèles à gaz 48" (122 cm) :

ZGU484NG – 4 brûleurs à gaz, grill et plaque chauffante
ZGU486NR – 6 brûleurs à gaz et grill
ZGU486ND – 6 brûleurs à gaz et plaque chauffante

Modèles à gaz GPL 48" (122 cm) :

ZGU484LG – 4 brûleurs à gaz, grill et plaque chauffante
ZGU486LR – 6 brûleurs à gaz et grill
ZGU486LD – 6 brûleurs à gaz et plaque chauffante

Modèles à gaz naturel 36" (91 cm) :

ZGU364ND – 4 brûleurs à gaz et plaque chauffante
ZGU364NR – 4 brûleurs à gaz et grill
ZGU366N – 6 brûleurs à gaz

Modèles à gaz GPL 36" (91,4 cm)

ZGU364LD – 4 brûleurs à gaz et plaque chauffante
ZGU364LR – 4 brûleurs à gaz et grill
ZGU366L – 6 brûleurs à gaz

DOSSERET

Tous les modèles requièrent au minimum 12" (30 cm) d'espace de séparation arrière avec toute surface inflammable. Si cet espace est inférieur à 12" (30 cm), la totalité de la surface du mur se trouvant au-dessus du plan de travail et la table de cuisson dans toute sa largeur doivent être protégées par un dossieret. Le dossieret doit être fabriqué à l'aide d'une matière ignifuge comme le métal, la tuile en céramique, la brique, le marbre ou tout autre pierre.

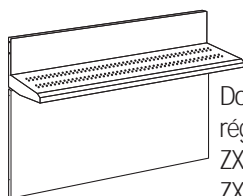
Deux dossierets sont disponibles :

- Il existe un dossieret de 12" (30 cm) en acier inoxydable. Utilisez ce dossieret couplé à un dossieret spécial et ignifuge monté au-dessus du premier. La hauteur des deux dossierets combinés doit atteindre la partie inférieure de la hotte, ou en l'absence de hotte, la hauteur totale à partir de la surface de cuisson doit atteindre les 48" (122 cm).

- Il existe un dossieret ajustable de 30" (76 cm) – 36" (91 cm). Ce dossieret comble l'espace entre le dessus de la cuisinière et la partie inférieure de la hotte. L'étagère est conçue pour que les ampoules d'une hotte professionnelle Monogram soient orientées vers elle.



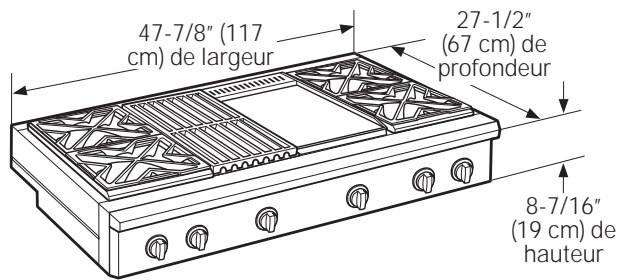
Dossieret de 12" (30 cm) de hauteur
ZX12B48PSS, pour les cuisinières de 48" (122 cm)
ZX12B36PSS, pour les cuisinières de 36" (91 cm)



Dossieret avec étagère de 30" (76 cm) à 36" (91 cm) réglable en hauteur
ZXADJB48PSS, pour les cuisinières de 48" (122 cm)
ZXADJB36PSS, pour les cuisinières de 36" (91 cm)

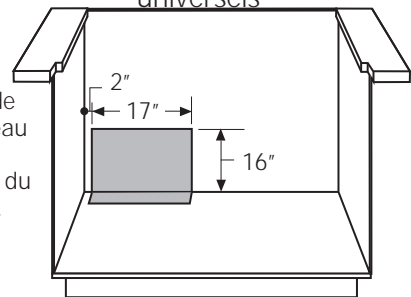
Caractéristiques

DIMENSIONS DU PRODUIT ET ESPACES DE SÉPARATION POUR LES MODÈLES DE 48" (122 CM)



Emplacements de raccord universels

Placez l'arrivée de gaz sur le panneau arrière ou sur la base, à 2" (5 cm) du panneau arrière.

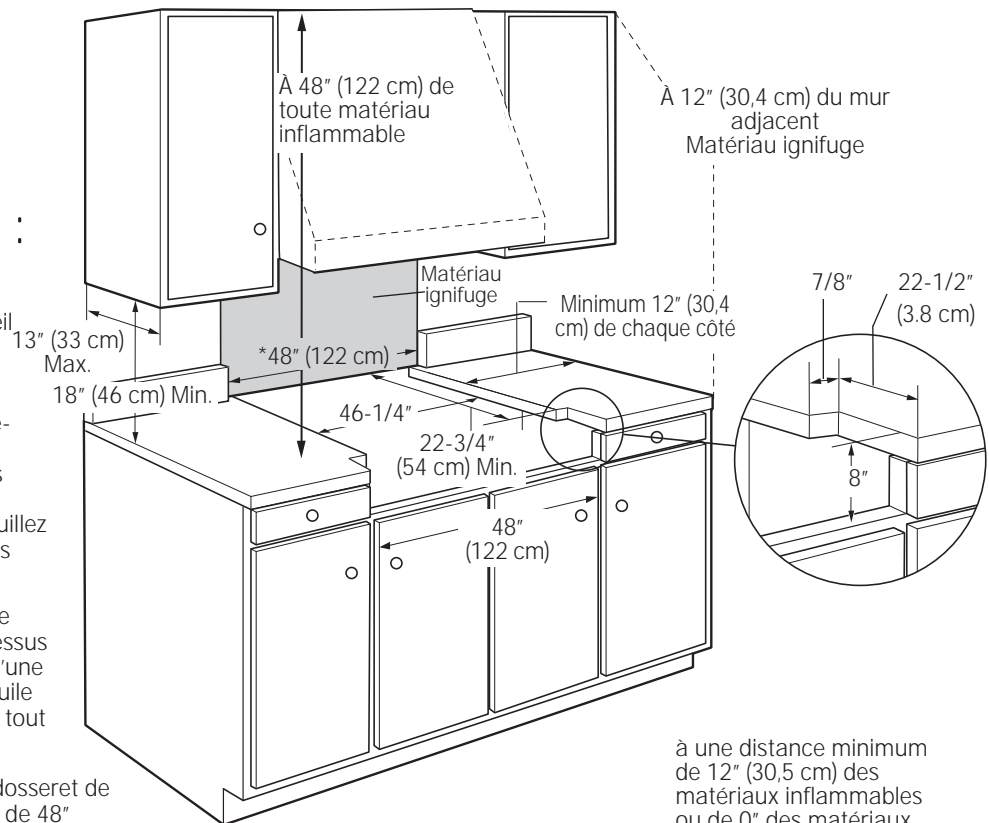


⚠ AVERTISSEMENT :

Pour les installations dépourvues de hotte, prévoyez au minimum un espace de 48" (122 cm) entre l'appareil et toute matière inflammable. Il est possible d'installer une hotte spéciale à proximité d'éléments horizontaux inflammables dans la mesure où celle-ci dispose d'une fonction de mise en marche automatique. Pour obtenir les spécifications d'espace pour d'autres installations pourvues d'une hotte, veuillez vous reporter aux instructions fournies avec celle-ci.

La totalité de la surface du mur arrière ainsi que la surface se trouvant au-dessus de la table de cuisson doit être faite d'une matière ignifuge comme le métal, la tuile en céramique, la brique, le marbre ou tout autre pierre.

* L'espace prévu pour le dossier de 4 cm de hauteur doit être de 48" (122 cm) afin de pouvoir coulisser la table de cuisson contre le mur.



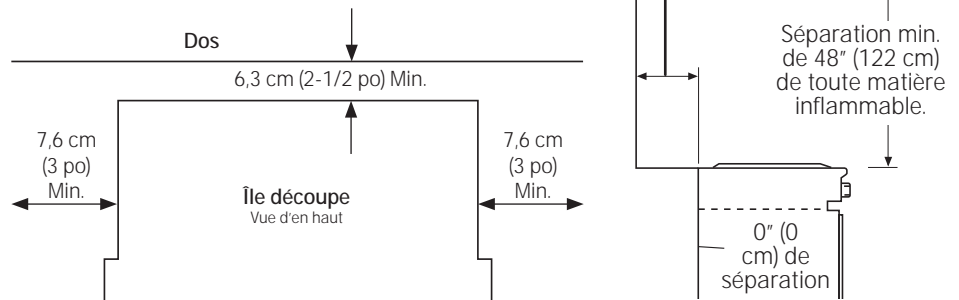
à une distance minimum de 12" (30,5 cm) des matériaux inflammables ou de 0" des matériaux ignifuges au-dessus de la surface de cuisson

ESPACES SUPPLÉMENTAIRES :

Prévoyez un espace minimum de 30 cm (12") par rapport au mur adjacent sur chaque côté.

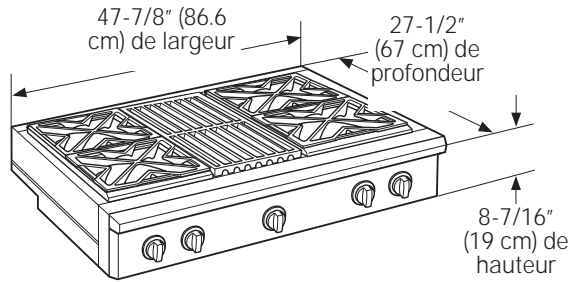
Les espaces de transit autour de la table de cuisson doivent être séparées par un espace d'au moins 45,7 cm (18") entre le plan de travail et le bas du placard mural.

Pour une installation en îlot, maintenir une distance minimum de 6,3 cm (2 1/2 po) entre le bord et le dos du comptoir et 7,6 cm (3 po) minimum sur les côtés du comptoir (voir vue de dessus).

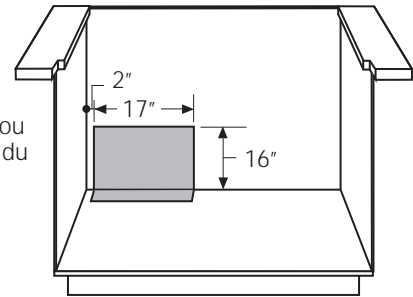


Caractéristiques

DIMENSIONS DU PRODUIT ET ESPACES DE SÉPARATION POUR LES MODÈLES DE 36" (91,4 CM)



Emplacements de raccord universels



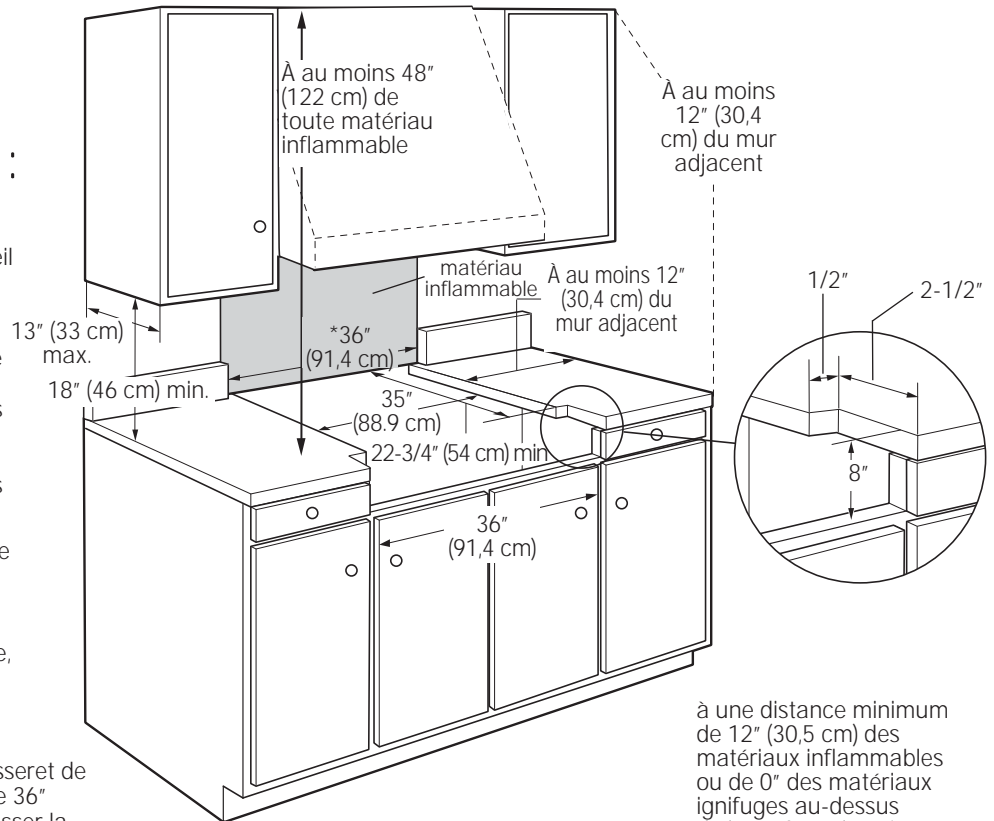
Placez l'arrivée de gaz sur le panneau arrière ou sur la base, à 2" (5 cm) du panneau arrière.

⚠ AVERTISSEMENT :

Pour les installations dépourvues de hotte, prévoyez au minimum un espace de 48" (122 cm) entre l'appareil et toute matière inflammable. Il est possible d'installer une hotte spéciale à proximité d'éléments horizontaux inflammables dans la mesure où celle-ci dispose d'une fonction de mise en marche automatique. Pour obtenir les spécifications d'espace pour d'autres installations pourvues d'une hotte, veuillez vous reporter aux instructions fournies avec celle-ci.

La totalité de la surface du mur arrière ainsi que la surface se trouvant au-dessus de la table de cuisson doit être faite d'une matière ignifuge comme le métal, la tuile en céramique, la brique, le marbre ou tout autre pierre.

* L'espace prévu pour le dossier de 4 cm de hauteur doit être de 36" (91 cm) afin de pouvoir coulisser la table de cuisson contre le mur.



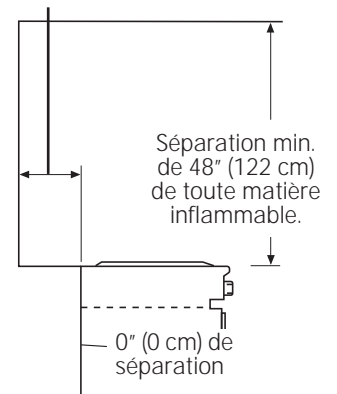
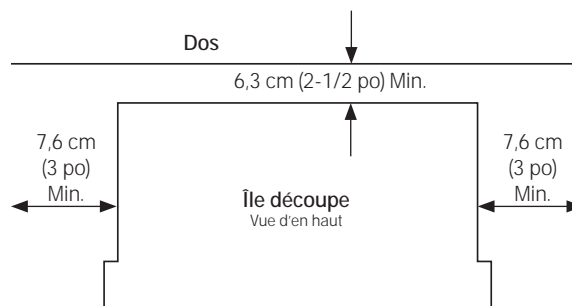
à une distance minimum de 12" (30,5 cm) des matériaux inflammables ou de 0" des matériaux ignifuges au-dessus de la surface de cuisson

ESPACES SUPPLÉMENTAIRES :

Prévoyez un espace minimum de 30 cm (12") par rapport au mur adjacent sur chaque côté.

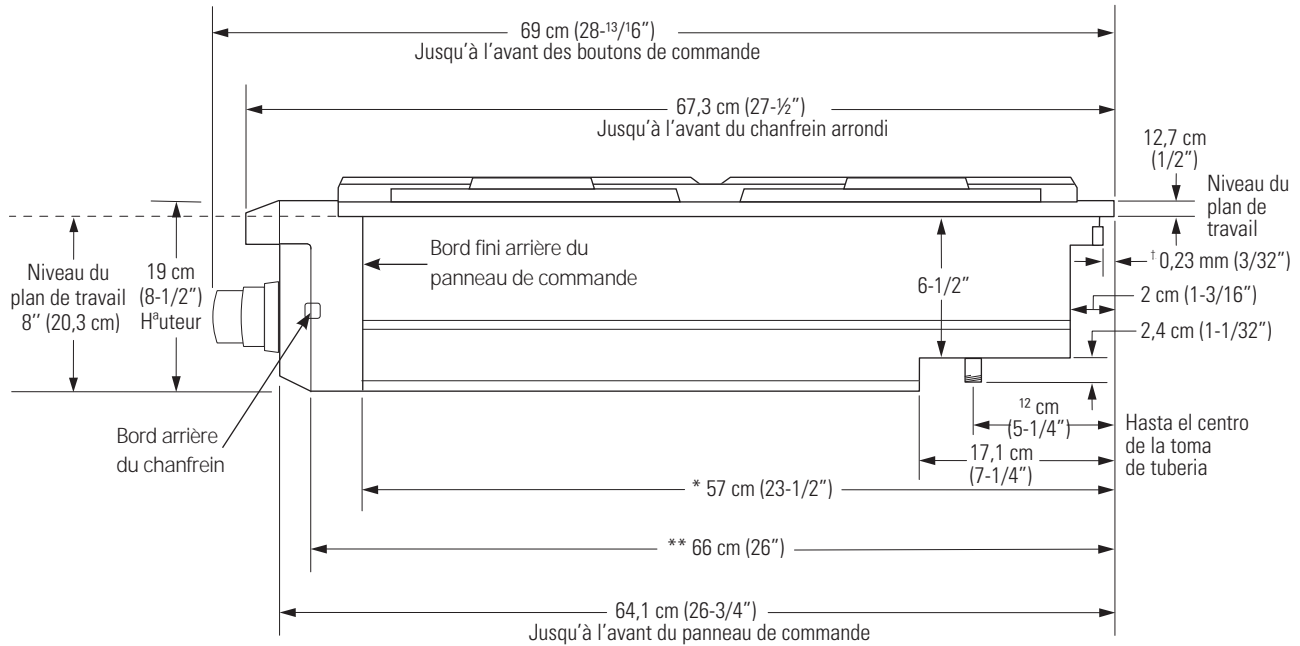
Les espaces de transit autour de la table de cuisson doivent être séparés par un espace d'au moins 45,7 cm (18") entre le plan de travail et le bas du placard mural.

Pour une installation en îlot, maintenir une distance minimum de 6,3 cm (2 1/2 po) entre le bord et le dos du comptoir et 7,6 cm (3 po) minimum sur les côtés du comptoir (voir vue de dessus).



Caractéristiques

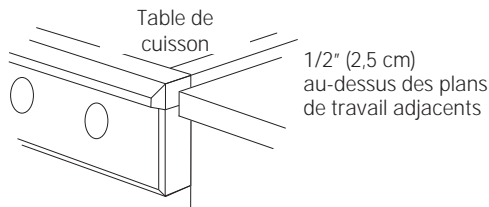
OPTIONS D'INSTALLATION



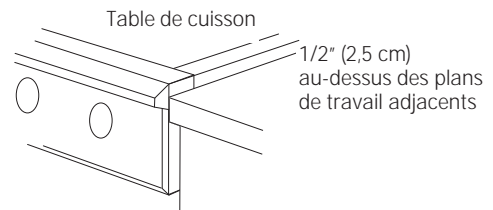
¹ Valeurs comprenant la partie suspendue de la tablette arrière lorsque le plan de travail se prolonge derrière l'appareil. Ajoutez le surplomb de la plaque décorative lorsque le plan de travail se prolonge sous l'appareil. Le surplomb ne fait office que de décoration. Le poids de la table de cuisson est entièrement supporté par les plaques latérales.

* Profondeur minimum de l'ouverture dans le placard de l'arrière de la plaque de décoration au bord fini arrière du panneau de commande, généralement, la profondeur minimum du placard (de l'avant vers l'arrière). La profondeur maximum de l'ouverture du placard est de 26" (66 cm).

** Profondeur maximum de l'ouverture dans le plan de travail de l'arrière de la plaque de décoration arrière au bord arrière du chanfrein sur les côtés du panneau de commande, généralement, la profondeur maximum du plan de travail (de l'avant vers l'arrière).



Les projets de panneau de commande expédiés des coffrets standard de profondeur.



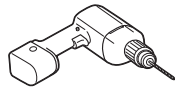
L'avant des coffrets profonds peut aligner avec le bord taillé de panneau de commande.

Préparation de l'installation

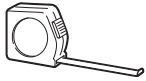
OUTILS NÉCESSAIRES



Scie sauteuse



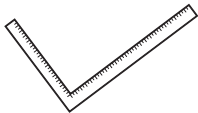
Perceuse et forets adaptés



Mètre



Clé anglaise



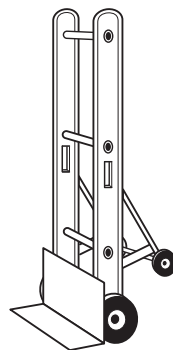
Équerre de maçon



Tournevis ou clé à molette 1/4" (0.63 cm)



Lunettes protectrices



Diable

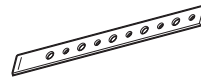


Tournevis cruciforme
2

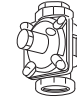


Niveau

MATÉRIEL FOURNI



Bande de fixation

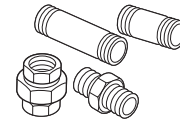


Régulateur

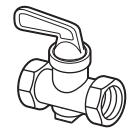
MATÉRIEL NÉCESSAIRE (NON FOURNI)



Couvre-joints



Raccords de tuyau



Robinet de fermeture



Tuyau métallique flexible d'alimentation de gaz agréé CSA de 1,58 cm de diamètre (5 pieds ou 1,5 m) (Longueur maximum de 90 cm (3 pieds) dans le Massachusetts uniquement)

REMARQUE : procurez-vous un tuyau flexible neuf, n'utilisez pas un tuyau ayant déjà été utilisé.

EMPLACEMENT DES ALIMENTATIONS

Alimentation de gaz :

- Les modèles au gaz naturel ont été conçus pour fonctionner à une pression de 5" (12,7 cm) colonne d'eau. Pour un fonctionnement optimal, la pression du gaz naturel qui alimente le régulateur doit se situer entre 7" (17,8 cm) et 13" (33 cm) colonne d'eau.
- Les modèles au propane ont été conçus pour fonctionner à une pression de 10" (25,5 cm) colonne d'eau. Pour un fonctionnement optimal, la pression du propane qui alimente le régulateur doit se situer entre 11" (27,9 cm) et 13" (33 cm) colonne d'eau.
- Localisez l'embase du tuyau sur le mur arrière ou le sol (voir « Dimensions de l'appareil et espaces »). Utilisez le conduit d'alimentation de gaz flexible (diamètre de 1,58 cm et longueur de 1,5 m) (90 cm dans le Massachusetts)
- Installez un robinet de fermeture sur le conduit (non fourni) à un endroit facile d'accès. Assurez-vous que le propriétaire de la maison sait où et comment fermer le robinet de gaz qui alimente la table de la cuisinière.

Alimentation électrique :

Ces tables de cuisson doivent être alimentées par du courant 120 volts, 60 Hz et branchées à un circuit terminal correctement mis à la terre et dédié, protégé par un disjoncteur 15 A ou un fusible.

Le cordon d'alimentation de cet appareil est doté d'une fiche à trois broches (masse) qui se branche dans une prise murale standard de masse à trois broches afin de réduire le risque de décharge électrique.

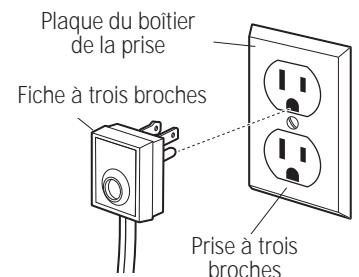
Si le réseau électrique ne correspond pas aux spécifications susdites, il est recommandé de faire installer une prise agréée par un électricien qualifié.

NE COUPEZ OU NE RETIREZ SOUS AUCUNE CIRCONSTANCE LA TROISIÈME BROCHE DE LA PRISE (MASSE) DU CORDON D'ALIMENTATION.

N'UTILISEZ PAS DE RALLONGE AVEC CET APPAREIL.

• Localisez la prise d'alimentation dans la zone indiquée ou à portée du cordon d'alimentation de 1,2 m de la cuisinière.

• Pour éviter d'emmêler le cordon dans les objets rangés dans le placard, localisez la prise du mur arrière dans le placard.



Préparation de l'installation

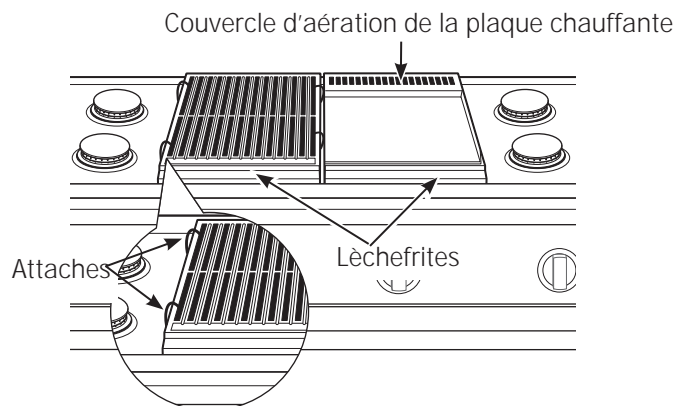
SORTEZ L'APPAREIL DE SON EMBALLAGE

⚠ ATTENTION

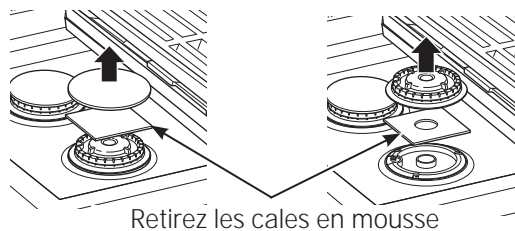
Maintenez-vous à l'écart. Les extrémités des bandes métalliques découpées peuvent vous blesser.

- Coupez la bande métallique.
- Retirez le ruban et la mousse. Mettez les matériaux d'emballage au rebut selon les normes locales.
- Retirez les couvercles du grill/plaque chauffante, les grilles du grill et du brûleur.
- Soulevez le couvercle de la plaque chauffante en fonte, les lèche-frites et les cales.

- Coupez les attaches qui maintiennent la grille sur le cadre du grill.



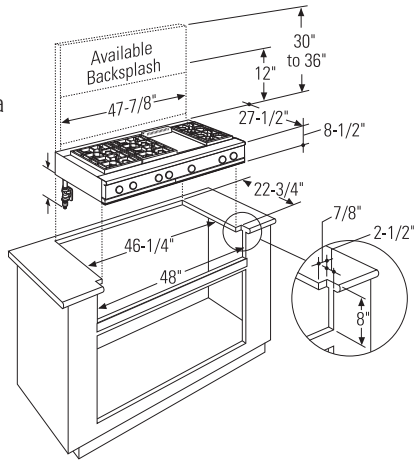
- Soulevez les chapeaux du brûleur et retirez la cale en mousse puis retirez les têtes du brûleur et retirez la cale en mousse.



Installation

ÉTAPE 1 COUPEZ L'OUVERTURE DU PLAN DE TRAVAIL

Prévoyez un espace supplémentaire sous la boîte du brûleur de la table de cuisson pour le régulateur et les raccordements au gaz



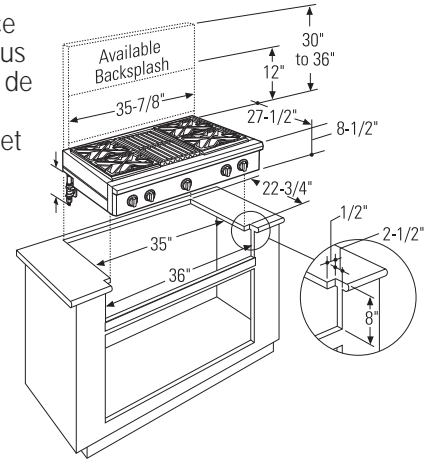
Les modèles d'une largeur de 1,2 m (48") ont été conçus pour les encastrer dans des placards 1,2 m (48") ou plus

Prenez votre temps pour prendre vos mesures lorsque vous découpez le plan de travail. Veuillez à ce que les deux côtés de l'ouverture soient parallèles.

- Prévoyez un espace de 20,3 cm sous la surface supérieure du plan de travail.
- Prévoyez des espaces supplémentaires sous le boîtier du brûleur pour installer le régulateur et y ranger des conduits de gaz. Utilisez un coude 90° pour acheminer les conduits d'alimentation du gaz et limiter les interférences avec les tiroirs et les éléments du placard.
- Ces tables de cuisson ont été conçues pour être suspendues au-dessus du plan de travail par leurs brides latérales.
- Poncez toute bordure abrasive du plan de travail d'installer la table de cuisson.
- Les bordures des plans de travail en Formica exigent une finition.

Le plan de travail doit être suffisamment solide pour supporter le poids de la table de cuisson

Prévoyez un espace supplémentaire sous la boîte du brûleur de la table de cuisson pour le régulateur et les raccordements au gaz.



Les modèles d'une largeur de 91 cm (36") ont été conçus pour les encastrer dans des placards de 91 cm (36")

Ouverture découpée à faux-fond

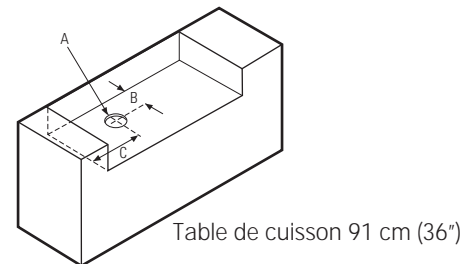


Table de cuisson 91 cm (36")

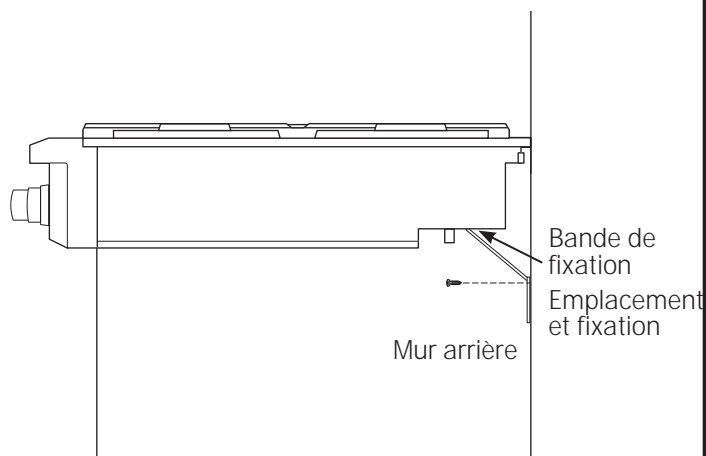
Dimensions				
	A (Dia.)	B	C	D
36" Rangetop	7 8"	1-1/2"	7-1/2"	11-1/8"
48" Rangetop	8-1/4"	1-1/2"	7-1/2"	11-1/8"

- Vous pouvez fabriquer la découpe avec un faux-fond pour cacher le bas du plan de travail.
- Fabriquez le faux-fond avec un matériau solide, découpez un trou 7-1/2" x 11-1/8" de diamètre dans le coin arrière gauche pour les espaces de l'arrivée du gaz et du cordon d'alimentation.

Installation

ÉTAPE 2 INSTALLEZ LA TABLE DE CUISSON

- Coulissez la table de cuisson dans l'ouverture. Assurez-vous que la table soit placée au milieu et correctement supportée.
- Une bande de fixation dotée de vis est fournie pour fixer la table de cuisson sur les parois arrière ou latérales du placard
- Retirez la bande de fixation de l'arrière de la table de cuisson. Fixez une extrémité de la bande au dos de la table de cuisson.
- Fixez l'autre extrémité de la bande le plus haut possible sur la paroi arrière du placard ou le placard situé à côté. Veillez à ce que la bande soit la plus courte possible pour des raisons de sécurité.



ÉTAPE 3 RACCORDEZ LA TABLE DE CUISSON AU GAZ

⚠ AVERTISSEMENT

N'utilisez pas de flamme pour vérifier les fuites de gaz.

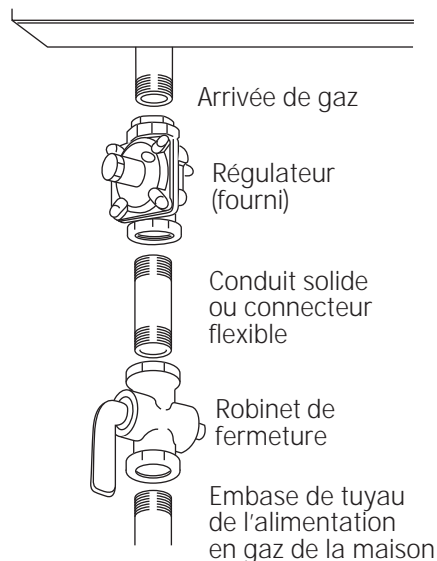
Un robinet à fermeture manuelle doit être installé dans un endroit accessible.

Assurez-vous que le gaz est coupé

- Installez le régulateur de pression fourni sur l'extrémité de l'arrivée du gaz.
- Vous pouvez installer un coude 90° (non fourni) sur l'arrivée du gaz et acheminez les conduits à gaz afin d'éviter les interférences avec les tiroirs ou les éléments du placard. Nous vous recommandons toutefois de ne pas le faire afin d'éviter une baisse de la pression du gaz.
- Veillez à ce que le régulateur est installé dans le bon sens. Voir la flèche sous le régulateur

REMARQUE : plutôt que d'utiliser des conduits solides pour le raccordement au régulateur de pression, un connecteur métallique flexible agréé peut être utilisé entre l'embase et le robinet de fermeture sur le régulateur de pression, si les codes locaux le permettent.

- Allumez le gaz et vérifiez la présence de fuites – Utilisez un détecteur de fuites de gaz.



IMPORTANT: débranchez la table de cuisson et le robinet de fermeture du conduit d'alimentation de gaz pendant le test de pression du système à des pressions de test supérieures à 1/2 psig. Isolez la table de cuisson du conduit d'alimentation de gaz en fermant le robinet à fermeture manuelle au niveau de la table de cuisson pendant le test de pression du système à des pressions de test égales ou inférieures à 1/2 psig.

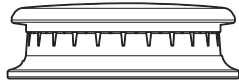
Installation

ÉTAPE 4 RACCORDEZ AU RÉSEAU ÉLECTRIQUE

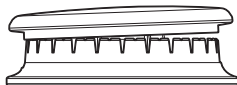
- Branchez le cordon d'alimentation dans une prise de masse.
- Appuyez sur le bouton sur le côté gauche du panneau de commande. Les lumières au-dessus des boutons devraient s'allumer.

ÉTAPE 5 VÉRIFIEZ LES BRÛLEURS

Assurez-vous que les chapeaux et les têtes du brûleur sont correctement installés.



Chapeau de brûleur incorrectement installé



Chapeau de brûleur correctement installé

- Vérifiez l'allumage :
 - Appuyez sur un bouton de commande et tournez-le sur LITE (feu doux).
 - L'allumeur va émettre des étincelles et le brûleur va s'allumer. L'allumeur n'émet plus d'étincelles une fois le brûleur allumé.
 - Prenez votre temps lors du premier test, tandis que l'air est expulsé du conduit de gaz.
 - Tournez le bouton sur OFF.
 - Suivez cette procédure pour chaque brûleur.

IMPORTANT: si les électrodes de l'allumeur continuent d'émettre des étincelles après l'allumage des brûleurs, vérifiez si toutes les pièces du brûleur sont correctement installées. Reportez-vous au manuel de l'utilisateur.

- Les flammes du brûleur devraient être bleues et stables sans pointe jaune, de bruit excessif. Si c'est le cas, vérifiez si les ports du brûleur ne sont pas bouchés. Si le problème persiste, appelez un spécialiste.

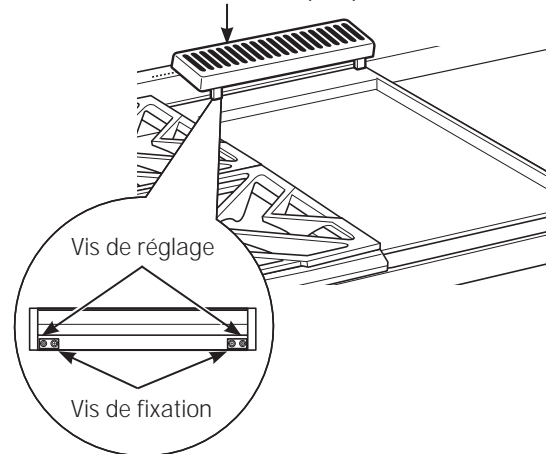
TERMINEZ L'INSTALLATION

Placez les grilles des brûleurs sur les brûleurs. Les grilles doivent être posées et ne devraient pas bouger.

La plaque chauffante est fixée à l'aide de vis. Elle a été conçue pour être statique et elle ne doit pas être retirée.

La plaque chauffante est dotée de deux vis de réglage sous le couvercle d'aération arrière que vous pouvez utiliser pour ajuster l'inclinaison de votre choix.

Couvercle d'aération de la plaque chauffante



Les deux vis intérieures sont des vis de fixation qui maintiennent la plaque en place. Desserrez les deux vis avant de régler. Ne retirez pas ces deux vis.

Les deux vis externes sont des vis de réglage. Ne retirez pas ces deux vis. Elles peuvent être vissées pour régler le niveau de la plaque chauffante ou pour créer une inclinaison vers l'avant permettant d'évacuer la graisse et l'huile des aliments cuisinés.

Après avoir réglé le niveau de la plaque chauffante, serrez les deux vis de fixation à la main, en prenant soin de ne pas trop serrer.

LISTE DE VÉRIFICATION POUR L'INSTALLATION

- Veillez à ce que les boutons de commande soient sur OFF.
- Veillez à ce que l'air de ventilation de combustion vers la table de cuisson n'est pas obstrué.
- La plaque signalétique est située au bas de la table de cuisson. Outre le numéro de série et le numéro de modèle, elle indique les caractéristiques électriques et le type d'énergie et de pression réglée en usine.
- Revérifiez les étapes :
Procédez à une nouvelle vérification afin de vous assurer que les consignes figurant dans ce manuel ont été respectées. Cette vérification garantira le fonctionnement optimale de la table de cuisson.

ZX12B30PSS, ZX12B36PSS, ZX12B48PSS Installation d'accessoires

ACCESSOIRES EN OPTION—DOSSERET DE 30 CM (12") DE HAUTEUR

⚠ AVERTISSEMENT:

Afin d'éviter que les matériaux inflammables ne prennent feu, le mur arrière au-dessus de la cuisinière doit être protégé par un dossier en matériau ignifuge.

Ce dossier en acier inoxydable doit être installé avec un dossier ignifuge fabriqué au-dessus de la hauteur de 30 cm (12") du dossier.



AVANT DE COMMENCER

Lisez attentivement l'ensemble des consignes.

IMPORTANT: Conservez ces consignes, elles peuvent vous être utiles pour toute inspection de votre installation.

IMPORTANT: RESPECTEZ TOUTES LES NORMES AINSI QUE LES RECOMMANDATIONS PRÉCONISÉES PAR LES AUTORITÉS COMPÉTENTES.

REMARQUE À L'ATTENTION DE L'INSTALLATEUR: Après intervention, assurez-vous d'avoir remis ces instructions à l'utilisateur.

REMARQUE À L'ATTENTION DE L'UTILISATEUR: Conservez ces instructions avec le manuel de l'utilisateur pour toute consultation ultérieure.

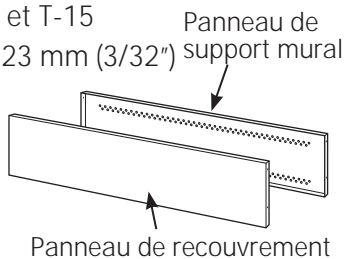
Ce kit est conçu pour l'installation du dossier de 30 cm (12") pour les cuisinières et les tables de cuisson professionnelles Monogram 76 cm, 91 cm et 121 cm.

OUTILS ET MATÉRIEL NÉCESSAIRES

- Gants pour vous protéger des parties tranchantes
- Tournevis cruciforme 2 et T-15
- Percez avec des forets 23 mm (3/32") et 35 mm (9/64")
- Lunettes protectrices
- Niveau
- Crayon

Ce Kit comprend

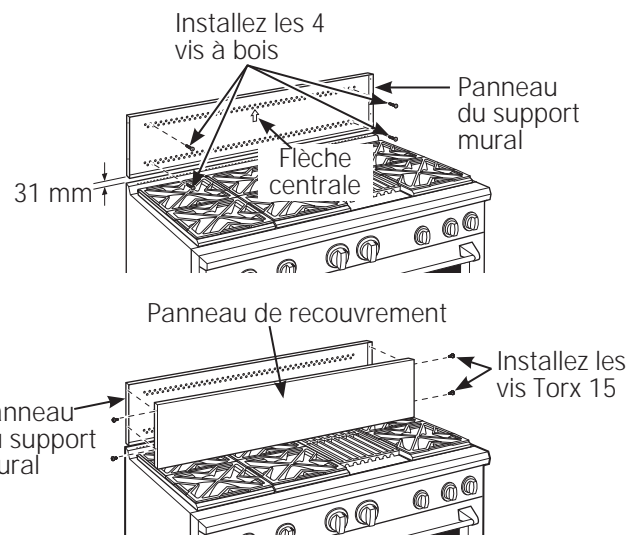
- Panneau de support mural
- Panneau recouvrant
- Sachet de matériel contenant
 - 5 vis en acier inoxydable Torx 15 #8 auto-taraudeuses
 - 5 vis à bois à tête cylindrique #10 Phillips #2



INSTALLEZ LE DOSSERET 30 CM (12")

⚠ AVERTISSEMENT: Ce dossier doit être correctement fixé au mur afin d'éviter toute blessure ou dommage matériel.

- Installez et ajustez la position de la cuisinière ou de la table de cuisson et de la hotte de la cuisinière, conformément aux consignes d'installation.
- Sortez le dossier de son emballage et le film protecteur.
- Utilisez un niveau pour dessiner au crayon une ligne horizontale sur le mur, 1/8" au-dessus de la cuisinière ou de la table de cuisson. L'espace de 1/8" fait que le panneau recouvrant se superpose au panneau de support mural.
- Localisez les poteaux muraux sur chaque côté. En l'absence de poteaux, utilisez plutôt des chevilles murales (non fournies).
- Alignez le panneau de support mural sur la ligne horizontale dessinée et centrée de gauche à droite.
- Le panneau de support mural doit être fixé au mur aux 4 coins. Utilisez des vis à bois (fournies) ou des chevilles murales (non fournies) pour fixer le panneau de support au mur.
- Placez le panneau de recouvrement sur le panneau du support mural et fixez à l'aide de vis Torx (fournies). Installez 2 vis de chaque côté.



ZXADJB30PSS, ZXADJB36PSS, ZXADJB48PSS Installation d'accessoires

ACCESSOIRES—DOSSERET AJUSTABLE 30"-36" (non fourni)

⚠ AVERTISSEMENT:

Afin d'éviter que les matériaux inflammables ne prennent feu, la totalité de la surface du mur se trouvant au-dessus de la cuisinière doit être protégée par un dossier ignifuge.



AVANT DE COMMENCER

Lisez attentivement l'ensemble des consignes.

IMPORTANT: Conservez ces consignes, elles peuvent vous être utiles pour toute inspection de votre installation.

IMPORTANT: RESPECTEZ TOUTES LES NORMES AINSI QUE LES RECOMMANDATIONS PRÉCONISÉES PAR LES AUTORITÉS COMPÉTENTES.

REMARQUE À L'ATTENTION DE L'INSTALLATEUR:

Après intervention, assurez-vous d'avoir remis ces instructions à l'utilisateur.

REMARQUE À L'ATTENTION DE L'UTILISATEUR:

Conservez ces instructions avec le manuel de l'utilisateur pour toute consultation ultérieure.

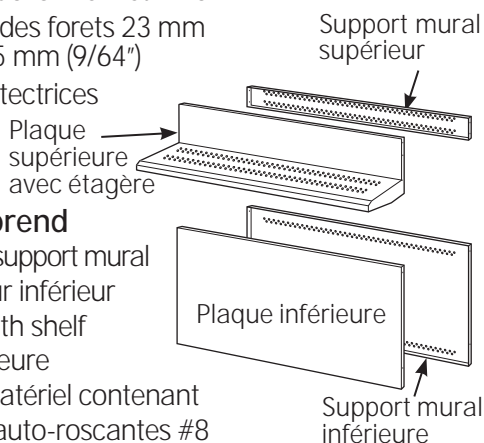
- Ce dossier est conçu pour combler l'espace entre le haut de la cuisinière et le bas de la hotte, entre une hauteur maximale de 76 cm et 91 cm.
- Le poids maximal de portance de l'étagère est de 18 kg.

OUTILS ET MATÉRIEL NÉCESSAIRES

- Gants pour vous protéger des parties tranchantes
- Tournevis cruciforme 2 et T-15
- Percez avec des forets 23 mm (3/32") et 35 mm (9/64")
- Lunettes protectrices
- Niveau
- Crayon

Ce Kit comprend

- Panneau de support mural
- Panneau mur inférieur
- Top cover with shelf
- Plaque inférieure
- Sachet de matériel contenant
 - 9 tornillos auto-roscantes #8 Torx 15 de acero inoxidable
 - 9 tornillos de estrella #2 para madera de cabeza troncocónica #10
 - 3 tornillos de cabeza segmentada #10 de acero inoxidable #2 (para un método de instalación alternativo)



Sachet de matériel

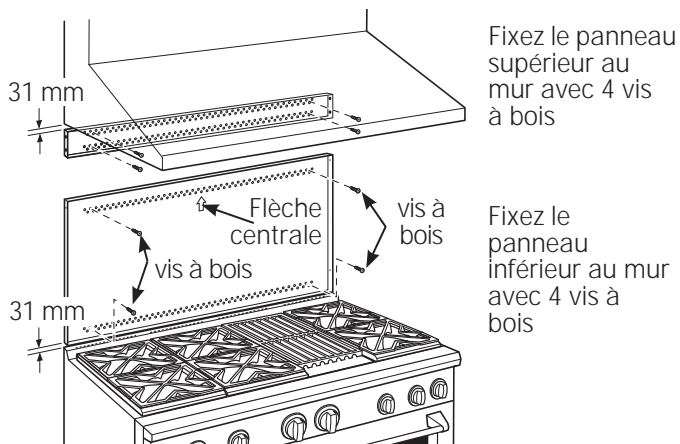
INSTALLEZ LES PANNEAUX DE SUPPORT MURAL

⚠ **AVERTISSEMENT:** Les panneaux de support mural doivent être correctement fixés au mur afin d'éviter toute blessure ou dommage matériel.

IMPORTANT: Ce dossier est conçu pour couvrir le mur entre la partie supérieure de la cuisinière et la partie inférieure de la hotte. La hotte d'extraction doit être installée sur la table de cuisson ou de la cuisinière avant d'installer le dossier.

- Installez et ajustez la position de la table de cuisson/cuisinière conformément aux consignes d'installation.
- Retirez l'emballage du dossier et le film protecteur.
- Localisez les poteaux muraux sur chaque côté. En l'absence de poteaux, utilisez plutôt des chevilles murales (non fournies).
- Utilisez un niveau pour tracer au crayon 2 lignes horizontales sur le mur, une à 1/8" sous la hotte d'extraction et l'autre à 1/8" au-dessus de la table de cuisson/cuisinière. Cet espace de 1/8" fait que le panneau de recouvrement se superpose aux supports muraux.
- Fixez le panneau mural supérieur au mur à l'aide de 4 vis à bois, à travers les poteaux externes.
- Utilisez 4 vis à bois pour fixer support mural inférieur. La rainure centrale doit être placée en haut.

L'espace séparant le panneau de support du bas de celui du haut sera comblé par la plaque supérieure avec étagère.



Fixez le panneau supérieur au mur avec 4 vis à bois

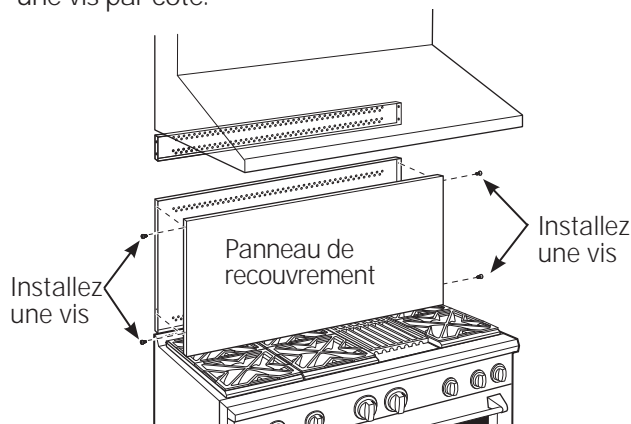
Fixez le panneau inférieur au mur avec 4 vis à bois

ZXADJB30PSS, ZXADJB36PSS, ZXADJB48PSS Installation d'accessoires

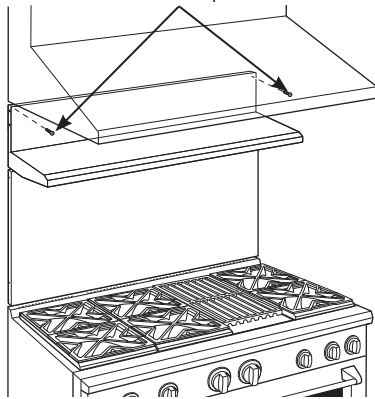
INSTALLEZ LES PANNEAUX DE RECOUVREMENT

Optez pour la méthode alternative si l'accès latéral est bloqué.

- Maintenez la plaque inférieure sur le support tout en vissant une vis (fournie) de chaque côté.
- Placez la plaque supérieure avec l'étagère en place sur le support mural supérieur. Si vous pouvez accéder aux deux côtés, fixez le panneau avec deux vis sur chaque côté.
- Fixez la plaque supérieure avec l'étagère sur le support supérieur et fixez la plaque à l'aide de vis sur l'avant du panneau, sur les coins supérieurs. Utilisez une vis par côté.



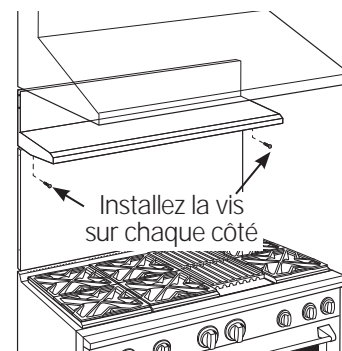
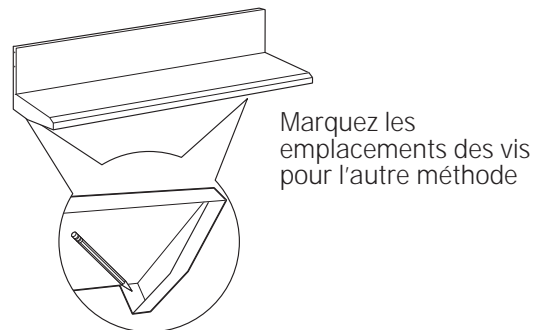
Installez les vis pour les coins



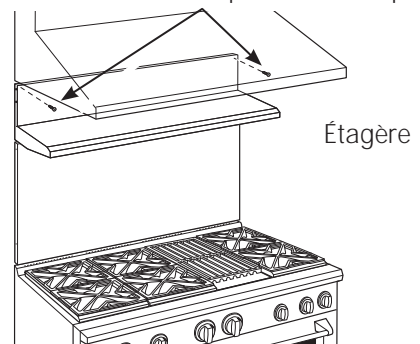
INSTALLEZ LES PANNEAUX DE RECOUVREMENT (suite)

MÉTHODE ALTERNATIVE : en cas d'obstruction de l'accès latéral

- Installez la plaque inférieure sur le support inférieur tout en vissant une vis de chaque côté.
- Maintenez la plaque supérieure en place tout en marquant les emplacements des vis, juste en dessous de l'étagère de support et sur la plaque inférieure.
- Retirez l'étagère et percez un trou de 0,35 cm (9/64") de diamètre dans les emplacements tracés au crayon.
- Montez la plaque supérieure sur le support supérieur et fixez la plaque à l'aide de vis dans les trous percés sur chaque côté.
- Install screws through each top corner. Installez les vis à travers chaque coin supérieur.



Installez la vis sur le coin supérieur de chaque côté



Consignes d'installation

Conversion du gaz naturel au propane Conversion du propane au gaz naturel

⚠ AVERTISSEMENT: Cette conversion doit être effectuée par un plombier ou un fournisseur de gaz qualifié conformément aux consignes du fabricant et aux réglementations et aux normes en vigueur afin d'éviter toute blessure ou dommage matériel. L'agence en charge de l'installation assume la responsabilité de la conversion.

⚠ AVERTISSEMENT: La table de cuisson telle qu'elle est livrée depuis l'usine est conçue pour être utilisée avec le gaz adéquat. Si vous souhaitez l'utiliser avec un autre type de gaz, vous devez d'abord remplacer les orifices et convertir le régulateur de pression.

⚠ AVERTISSEMENT: Vous devez procéder aux réglages suivants avant d'allumer le brûleur afin d'éviter toute blessure grave. Assurez-vous que le régulateur de pression ait été converti comme indiqué lors de l'étape 2.

OUTILS DONT VOUS AUREZ BESOIN POUR LA CONVERSION



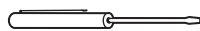
Clé à molette



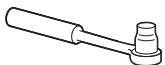
Tournevis à douille 7 mm et 1/4"



Lunettes protectrices



Petit tournevis à tête plate (pointe de 2 à 2.4 mm ou 3/32", 60 mm de longueur)



Clé à douille 1/2" (12,7 mm)



Petites pinces



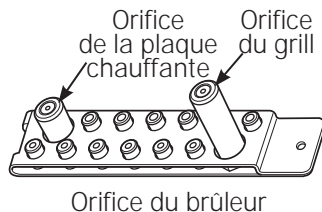
Tournevis cruciforme

1 SUPPORT D'ORIFICE

Le support d'orifice de la cuisinière est situé derrière l'avant du panneau d'accès au bas de l'appareil.

Le support d'orifice de la table de cuisson est situé à l'intérieur de la plaque d'isolation de la cuisinière.

Vous trouverez peut-être des orifices supplémentaires. N'utilisez que des orifices spécifiés dans les consignes relatives à votre cuisinière ou table de cuisson.



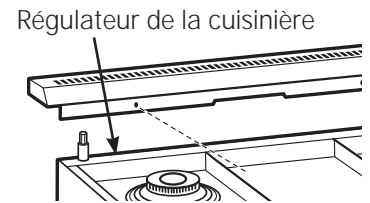
Orifice de la plaque chauffante Orifice du grill

Orifice du brûleur

2 CONVERTIR LE RÉGULATEUR

Débranchez l'électricité sur le disjoncteur ou la boîte à fusible du circuit principal.

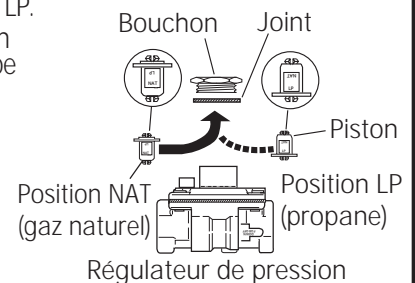
A. Retirez la plaque d'aération arrière (sur les cuisinières uniquement) pour accéder au régulateur. Le régulateur de la table de cuisson est situé dans le coin inférieur gauche.



B. Coupez le gaz en fermant le robinet de fermeture sur l'appareil ou le mur.

C. Convertissez le régulateur de pression:

- Dévissez le bouchon avec la ventouse.
- Placez votre doigt contre la partie plate du piston et appuyez pour sortir la ventouse du bouchon.
- Observez attentivement le piston pour repérer la position NAT ou LP.
- Retournez le piston de sorte que le type de gaz souhaité apparaisse à côté du bas.
- Remplacez le piston dans le bouchon.
- Vissez le bouchon sur le régulateur.



3 CHANGEZ LES ORIFICES DU BRÛLEUR

CONSEIL D'INSTALLATION:

Commencez par retirer tous Orifices, puis replacez-les. Vous éviterez ainsi tout oubli.

- A. Retirez les grilles du brûleur, les chapeaux et les têtes.
- B. Desserrez les orifices du brûleur du haut à l'aide d'un tournevis à douille 7 mm. Utilisez de petites pinces pour soulever les orifices délicatement.

L'orifice principal est situé assez bas au centre du brûleur, tandis que l'orifice de mijotage est placé plus haut dans le centre du brûleur.

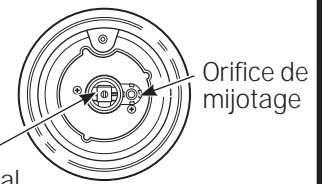
Chapeau de brûleur



Tête de brûleur

Allumeur d'étincelles

Base du brûleur



Orifice principal

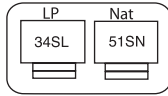
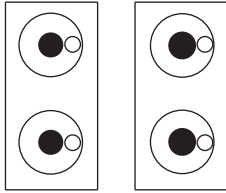
Orifice de mijotage

Consignes d'installation pour la conversion de gaz

3 CHANGEZ L'ORIFICE DU GRILL (suite)

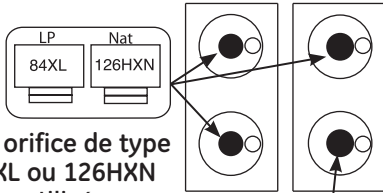
IMPORTANT: veuillez trouver le numéro de modèle ci-dessous. Lisez chacune des étiquettes des orifices afin de les identifier et de les placer dans les emplacements indiqués.

ORIFICES DE MIJOTAGE ZDP304



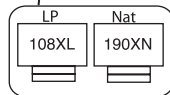
Un orifice de type 34SL ou 51SN sera utilisé sur tous les brûleurs.

ORIFICES PRINCIPAUX ZDP304



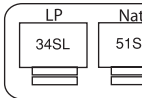
Un orifice de type 84XL ou 126HXN sera utilisé sur ces trois brûleurs.

Utilisez des orifices 108XL ou 190XN sur tous les brûleurs.

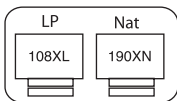
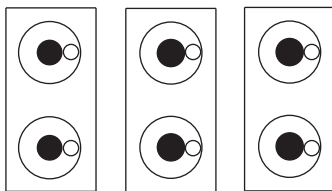


ZDP364, ZDP366, ZDP484, ZDP486

ORIFICES DE MIJOTAGE



Un orifice de type 34SL ou 51SL sera utilisé sur tous les brûleurs.



Utilisez un orifice 108XL ou 190XN pour le brûleur situé devant à droite.

ORIFICES PRINCIPAUX

- Remplacez les orifices non utilisés sur le support. Fixez le support à nouveau et la fiche d'instruction avec la vis dans le lieu de rangement d'origine.
- Remplacez les têtes des brûleurs, les chapeaux et les grilles supérieures. Sur les cuisinières, remplacez la plaque d'aération arrière.

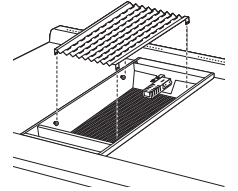
4 ** CHANGEZ L'ORIFICE DU GRILL (si installé)

Localisez l'orifice du grill d'une longueur de 1-1/2" (4 cm). Sélectionnez le type de gaz.
LP—.047, NAT—.067



4 ** CHANGEZ L'ORIFICE DU GRILL (suite)

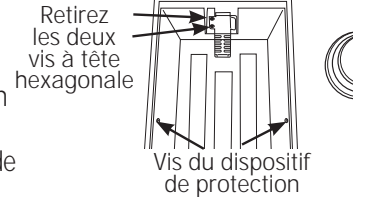
- Retirez le couvercle du grill, les grilles et le cadre. Enlevez le déflecteur de rayonnement.



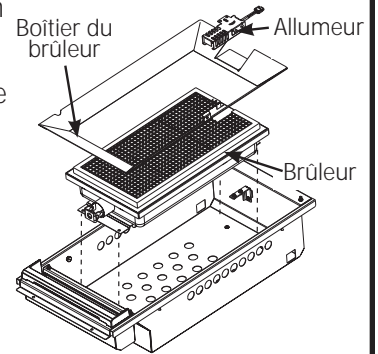
- Retirez les 2 vis à tête hexagonale du haut de l'allumeur.



- Retirez 1 vis de chaque côté du dispositif de protection du brûleur.
- Soulevez le dispositif de protection.



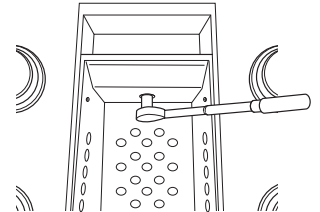
- Poussez avec précaution sur l'allumeur sur le côté et sous le brûleur. Ne tirez ou ne coincez pas le câble.



- Retirez les 4 vis de fixation du brûleur, 2 à l'avant et 2 autres à l'arrière. Faites glisser le brûleur vers l'arrière et à l'extérieur de l'arrivée du gaz.

- Utilisez une clé à douille 1/2" pour retirer et réinstaller l'orifice.

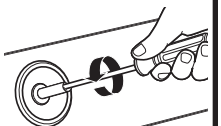
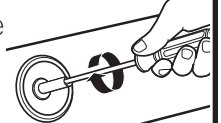
Partie avant de la cuisinière



Inversez la procédure pour remonter le grill. Assurez-vous de placer l'orifice non utilisé sur le support pour pouvoir l'utiliser ultérieurement.

- Ajustez le réglage Grill "LO" (feu doux)**

- Assurez-vous que l'alimentation en gaz et en électricité à l'appareil est coupée.
- Tournez le bouton du grill à la position **LO (feu doux)** puis retirez-le en tirant en ligne droite.
- Insérez un petit tournevis à tête plate dans le trou au centre du piston de la vanne pour engager la vis.
- Pour convertir le réglage LO (feu doux) de gaz naturel à LP (propane), tournez la vis dans le sens des aiguilles d'une montre jusqu'au bout (environ 3/4 de tour). Il peut s'avérer nécessaire d'immobiliser l'extérieur du piston de vanne à l'aide d'une pince pour l'empêcher de tourner lors de l'ajustement de la vis.
- Pour convertir le réglage LO (feu doux) de LP (propane) à gaz naturel, tournez la vis dans le sens inverse des aiguilles d'une montre sur environ 3/4 de tour.



Consignes d'installation pour la conversion de gaz

5 CHANGEZ L'ORIFICE DE LA PLAQUE CHAUFFANTE (si installé)

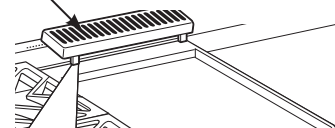
Saisissez-vous de l'orifice de la plaque chauffante de (19 mm) 3/4" longueur. Sélectionnez le type de gaz. LP—.047, NAT—.076



A. Soulevez le couvercle d'aération de la plaque chauffante. Retirez les 2 vis intérieures de fixation.

Couvercle d'aération de la plaque chauffante

A

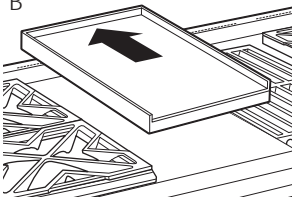


B. Soulevez les lèchefrites en fonte. Faites glisser la plaque chauffante vers l'arrière et hors des languettes de maintien le long de la partie inférieure.

Vis de mise de niveau
Vis de maintien

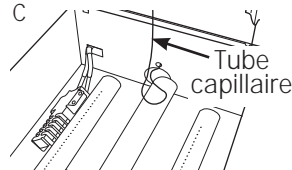
NOTE : Retirez seulement les 2 vis de fixation sur l'intérieur. Ne retirez pas les vis les plus à l'extérieur—elles sont utilisées pour la mise de niveau.

B



C. Soulevez délicatement la plaque chauffante tout en la maintenant. Tirez la longueur excédentaire de tube capillaire par le trou d'entrée. Posez la plaque chauffante debout sur la lèchefrite.

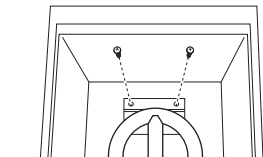
C



D. Retirez les 2 vis de maintien à l'arrière du brûleur.

D

Arrière de la cuisinière



Tirez le brûleur directement vers l'arrière et détachez-le de l'arrivée du gaz.

E. Utilisez une clé à douille d'1/2 po pour retirer et réinstaller l'orifice.

E



Inversez la procédure pour remonter la plaque chauffante. Repoussez la longueur excédentaire de tube capillaire dans le trou d'entrée. Placez l'orifice non utilisé sur le possible pour une possible utilisation ultérieure.

6 AJUSTEZ LES FLAMMES DU BRÛLEUR

Les brûleurs ne requièrent normalement aucun ajustement. Ne procédez à des ajustements que si cela s'avère nécessaire.

A. Allumez le gaz. Branchez le cordon d'alimentation.

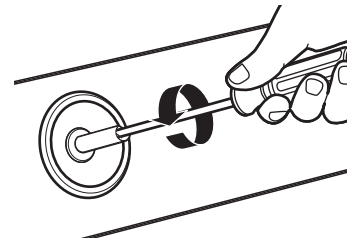
B. Allumez les brûleurs au maximum et vérifiez les flammes. Elles devraient être bleues. Si vous utilisez du propane, la pointe de flammes devrait être jaune. La présence d'objets étrangers dans le tuyau d'alimentation en gaz devraient donner une couleur orange à la flamme au début. L'orange disparaît par la suite.

C. Tournez le bouton du brûleur sur "LO" (feu doux) tout en observant la flamme.

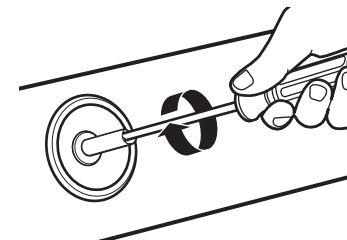
Ajustez le réglage de la première rangée de flammes avec la vis de dérivation de vanne de la manière suivante :

Vous pouvez procéder à des ajustements sur deux autres brûleurs en marche sur un réglage moyen. La rangée supérieure des flammes est ainsi réglée sur un niveau qui n'est pas trop faible, ce qui pourrait provoquer l'extinction de la flamme lorsque d'autres brûleurs sont allumés.

D. Pour ajuster la flamme, retirez les boutons. Introduisez un tournevis à tête plate dans le trou au centre du piston de la vanne pour engager la vis.



• Si les flammes sont trop petites ou vacillent, tournez la vis dans le sens inverse des aiguilles d'une montre.



• Si les flammes sont trop grandes, tournez la vis dans le sens des aiguilles d'une montre.

E. Procédez à l'ajustement en tournant doucement la vis jusqu'à ce que l'aspect de la flamme soit le bon.

Une fois la conversion terminée et vérifiée, remplissez l'étiquette de conversion et placez-la à côté de l'étiquette signalétique. Pour les cuisinières, placez l'étiquette sous le panneau de commande. Pour les tables de cuisson, placez l'étiquette au bas de l'appareil.

Información de seguridad

ANTES DE COMENZAR Lea estas instrucciones por completo y con detenimiento.

- **IMPORTANTE** – Guarde estas instrucciones para el uso de inspectores locales.
- **IMPORTANT** – Cumpla con todos los códigos y ordenanzas vigentes.
- **Nota al instalador** – Asegúrese de dejar estas instrucciones con el consumidor.
- **Nota al consumidor** – Mantenga estas instrucciones con el Manual del propietario para referencia futura.
- **Tiempo de finalización – de 1 a 3 horas.**
- El instalador tiene la responsabilidad de efectuar una instalación adecuada. La Garantía no cubre las fallas del producto debido a una instalación incorrecta. Ver el Manual del propietario para información sobre la garantía.

⚠ ADVERTENCIA

Esta unidad debe contar con una adecuada conexión a tierra. Siga las instrucciones de "Suministro Eléctrico" de este manual. No hacerlo puede provocar una descarga eléctrica.

Para servicio técnico local Monogram en su área, 1.800.444.1845.

Para servicio técnico Monogram en Canadá, llame al 1.800.561.3344.

Para Piezas y accesorios Monogram, llame al 1.800.626.2002.

Si ha recibido una estufa dañada, usted debe comunicarse con su vendedor.

En el Estado de Massachusetts:

- Este producto debe instalarlo un plomero matriculado o un gasfitero.
- Cuando use válvulas esféricas de apagado de gas, deberán ser del tipo de manija en T.
- Si se usa una conexión flexible para gas, ésta no debe superar los 3 pies.

Si este producto es para ser usado fuera de los EE.UU. o Canadá:

⚠ ADVERTENCIA: Si desea utilizar este producto con gas Líquido de Propano (LP) que contiene más de 10% de butano, debe comprar el paquete de conversión para gas butano #WB28K10589. Para pedir, llame al 1.888.664.8403 o 1.787.276.4051. No hacerlo puede provocar un peligro de monóxido de carbono o de incendio.

Combinaciones de capuchas de ventilación:

Se recomienda que estas estufas se instalen en conjunto con una adecuada capucha de ventilación aérea.

- Instale una capucha de por lo menos 1200 CFM (pies cúbicos por minuto) sobre una estufa de 48" de ancho.
- Instale una capucha de por lo menos 600 CFM (pies cúbicos por minuto) sobre una estufa de 36".

Debido a la elevada capacidad de calor de esta unidad, debe prestarse especial atención a la instalación de la capucha y de la red de conductos para garantizar que cumplan con los códigos de construcción locales.

⚠ ADVERTENCIA:

No instale este producto con una campana con cortina de aire u otra campana de cocina que funcione llevando aire a la placa de cocción. El flujo de aire podrá interferir en el funcionamiento de los quemadores de gas, produciendo riesgos de incendio o explosión.

Distancias respecto de superficies horizontales sobre la cocina, medidas en relación a la superficie de cocción. No cumplir con esto puede provocar un peligro de incendio.

- Las instalaciones sin capucha requieren un mínimo de 48" respecto de elementos combustibles.
- Una instalación de capucha a medida con superficies expuestas horizontales combustibles debe contar con una función de encendido automático.
- Para otras instalaciones con capucha, consulte las instrucciones de instalación de capuchas sobre espacios específicos para capuchas.

⚠ PRECAUCIÓN:

Estas estufas son extremadamente pesadas. Debido al peso y tamaño de la estufa y para reducir el riesgo de lesiones personales o daños al producto: SE REQUIEREN DOS PERSONAS PARA REALIZAR UNA INSTALACIÓN ADECUADA.

La instalación debe cumplir con los códigos locales. Si no existieran códigos locales, la cocina debe cumplir con el Código de Gas Combustible Nacional, ANSI Z223.1/NFPA 54, última edición, y con el Código Eléctrico Nacional ANSI/NFPA 70, última incorporación. En Canadá, la instalación debe cumplir con el Código de Instalación de Gas Natural vigente, CAN/CGA-B149.1 o el Código de Instalación de Propano vigente, CAN/CGA-B149.2, y con los códigos locales, según corresponda. Esta cocina ha recibido la certificación de diseño de CSA International de acuerdo con ANSI Z21.1, última edición y de Canadian Gas Association de acuerdo con CAN/CGA-1.1, última edición.

El control de pérdidas del aparato deberá realizarse según las instrucciones del fabricante.

Información de diseño

CONTENIDOS

Información de diseño

Modelos disponibles.....	35
Requisitos de accesorios.....	35
Dimensiones y espacios del producto para modelos de 48" de ancho.....	36
Dimensiones y espacios del producto para modelos de 36" de ancho.....	37
Opciones de instalación	38

Preparación para la instalación

Herramientas y materiales requeridos.....	39
Ubicaciones del suministro de energía	39
Quite el empaque.....	40

Instrucciones de instalación

Paso 1, Corte la abertura del mostrador de encimera.....	41
Paso 2, Instale la estufa.....	42
Paso 3, Conecte la estufa al suministro de gas	42
Paso 4, Conecte la electricidad	43
Paso 5, Controle los quemadores	43
Finalice la instalación.....	43
Lista de control de la instalación.....	43
Instale el salpicadero de 12".....	44
Instale el accesorio para salpicadero de la estufa	45, 46
Conversión de gas.....	47-49

MODELOS DISPONIBLES

Las estufas Monogram se encuentran configuradas de fábrica para gas natural o para gas LP. Solicite el modelo que se ajuste a su situación de instalación.

Modelos a gas natural de 48":

ZGU484NG – 4 quemadores a gas, parrilla y plancha
 ZGU486NR – 6 quemadores a gas y parrilla
 ZGU486ND – 6 quemadores a gas y plancha

Modelos a gas LP de 48":

ZGU484LG – 4 quemadores a gas, parrilla y plancha
 ZGU486LR – 6 quemadores a gas y parrilla
 ZGU486LD – 6 quemadores a gas y plancha

Modelos a gas natural de 36":

ZGU364ND – 4 quemadores a gas y plancha
 ZGU364NR – 4 quemadores a gas y parrilla
 ZGU366N – 6 quemadores a gas

Modelos a gas LP de 36":

ZGU364LD – 4 quemadores a gas y plancha
 ZGU364LR – 4 quemadores a gas y parrilla
 ZGU366L – 6 quemadores a gas

ACCESORIOS PARA SALPICADERO

Todos los modelos requieren un espacio mínimo de 12" respecto de una superficie combustible vertical en la parte trasera. Si el espacio es menor a 12", toda la superficie de la pared trasera sobre el mostrador de encimera y el ancho total de la cocina deben protegerse mediante un salpicadero. El salpicadero debe estar hecho de un material no combustible, como metal, cerámica, ladrillo, mármol u otra piedra.

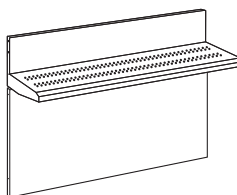
Dos accesorios disponibles para salpicadero:

- Se encuentra disponible el accesorio para salpicadero de acero inoxidable de 12" de altura. Utilice este salpicadero en combinación con un salpicadero a medida no combustible construido más allá de la altura de 12". La altura combinada del accesorio para salpicadero y el salpicadero a medida debe alcanzar la parte inferior de la capucha, o cuando no haya una capucha, 48" sobre la superficie de cocina.

- También se encuentra disponible un salpicadero con estante de altura ajustable de 30" a 36". Este salpicadero llena el espacio ubicado entre la parte superior de la cocina y la parte inferior de la capucha. El estante se encuentra ubicado de modo que las lámparas de calor de la parte inferior de la capucha Monogram profesional se hallen dirigidas hacia el estante.



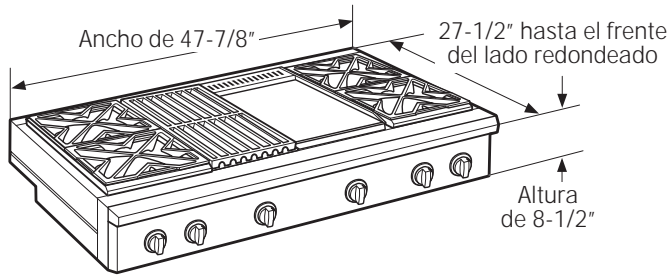
Salpicadero de 12" de altura
 ZX12B48PSS, para cocinas de 48" de ancho
 ZX12B36PSS, para cocinas de 36" de ancho



Salpicadero con estante de altura ajustable de 30" a 36"
 ZXADJB48PSS, para cocinas de 48" de ancho
 ZXADJB36PSS, para cocinas de 36" de ancho

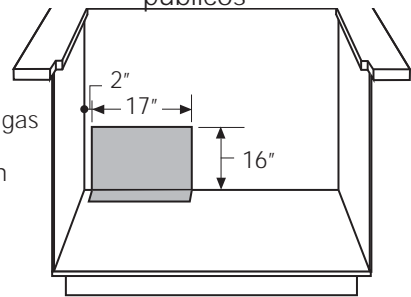
Información de diseño

DIMENSIONES Y ESPACIOS DEL PRODUCTO PARA MODELOS DE 48"



Ubicaciones de los servicios públicos

Ubique la entrada de gas en la pared trasera o en el piso a 2" de la pared trasera.

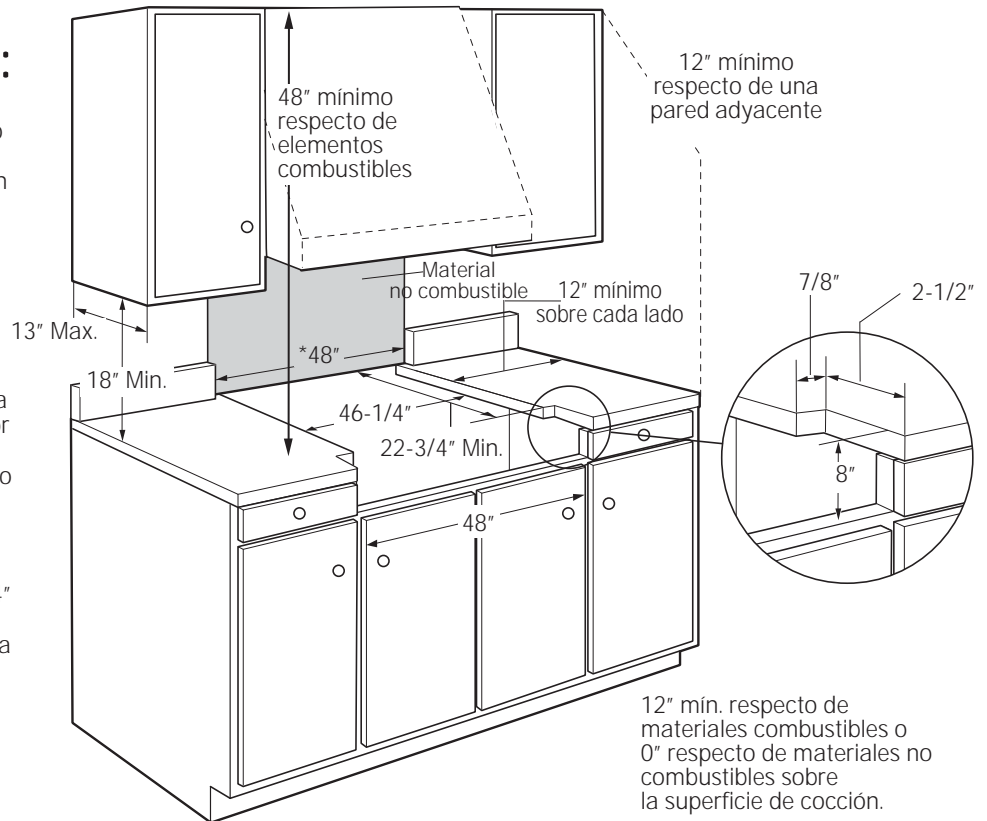


⚠ ADVERTENCIA:

Las instalaciones sin capucha requieren un mínimo de 48" respecto de elementos combustibles. Una instalación de capucha a medida con superficies expuestas horizontales combustibles debe contar con una función de encendido automático. Consulte las instrucciones de instalación de la capucha para obtener espacios específicos de las capuchas.

La superficie de toda la pared trasera sobre el mostrador de encimera y por debajo de la capucha debe cubrirse con un material no combustible como metal, cerámica, ladrillo, mármol u otra piedra.

* La abertura entre un salpicadero de 4" de altura debe ser de 48" para permitir que la estufa se deslice de vuelta contra la pared.



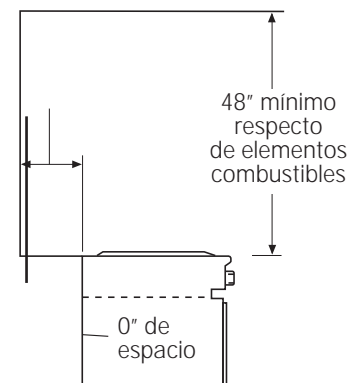
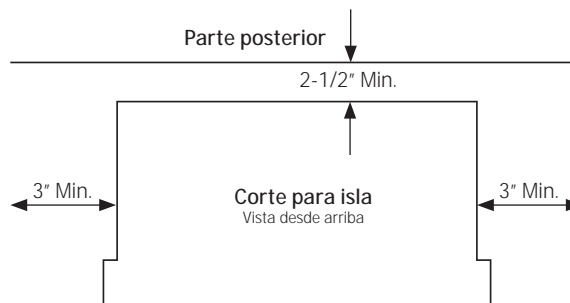
12" mín. respecto de materiales combustibles o 0" respecto de materiales no combustibles sobre la superficie de cocción.

ESPACIOS ADICIONALES:

Deje un espacio mínimo de 12" respecto de una pared adyacente sobre cada lado.

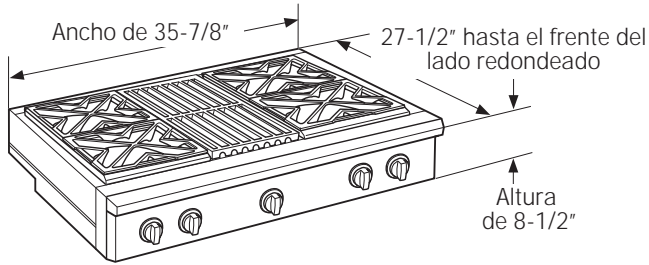
Las áreas de trabajo adyacentes a la estufa deben contar con un espacio mínimo de 18" entre el mostrador de encimera y la parte inferior del gabinete de pared.

Para la instalación de la isla, deje un espacio mínimo de 2-1/2" entre la abertura y el extremo trasero de la mesada y un mínimo de 3" entre la abertura y los extremos laterales de la mesada (ver la vista superior).



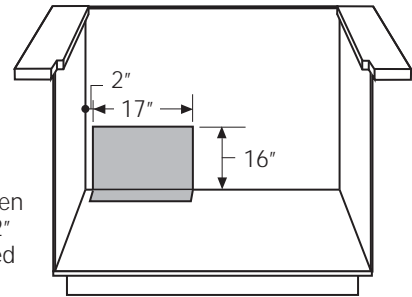
Información de diseño

DIMENSIONES Y ESPACIOS DEL PRODUCTO PARA MODELOS DE 36"



Ubicaciones de los servicios públicos

Ubique la entrada de gas en la pared trasera o en el piso a 2" de la pared trasera.

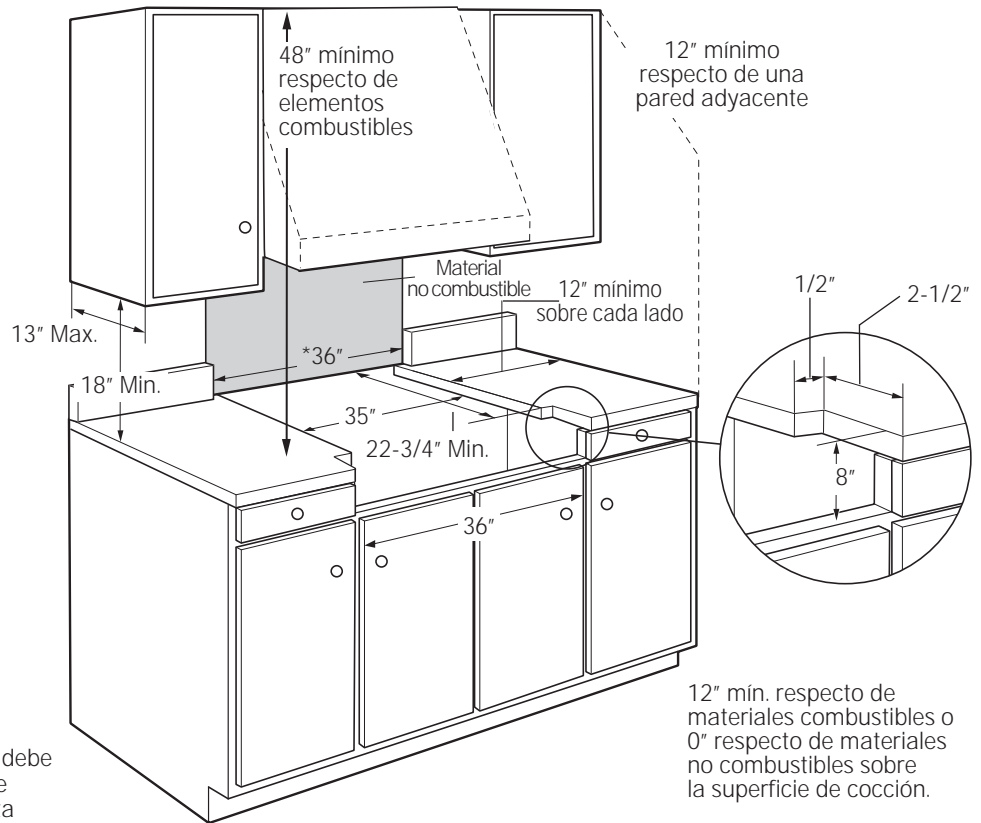


⚠ ADVERTENCIA:

Las instalaciones sin capucha requieren un mínimo de 48" respecto de elementos combustibles sobre la cocina. Una instalación de capucha a medida con superficies expuestas horizontales combustibles debe contar con una función de encendido automático. Consulte las instrucciones de instalación de la capucha para obtener espacios específicos de las capuchas.

La superficie de toda la pared trasera sobre el mostrador de encimera y por debajo de la capucha debe cubrirse con un material no combustible como metal, cerámica, ladrillo, mármol u otra piedra.

* La abertura entre un salpicadero de 4" de altura debe ser de 36" para permitir que la estufa se deslice de vuelta contra la pared.

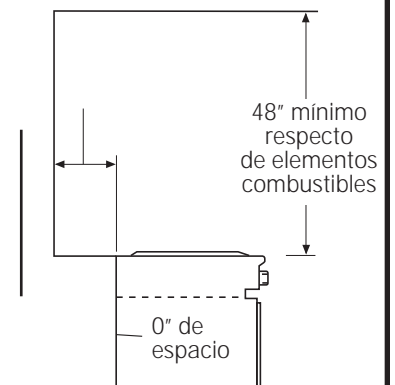
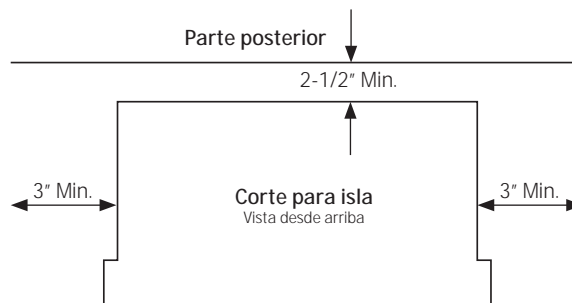


ESPACIOS ADICIONALES:

Deje un espacio mínimo de 12" respecto de una pared adyacente sobre cada lado.

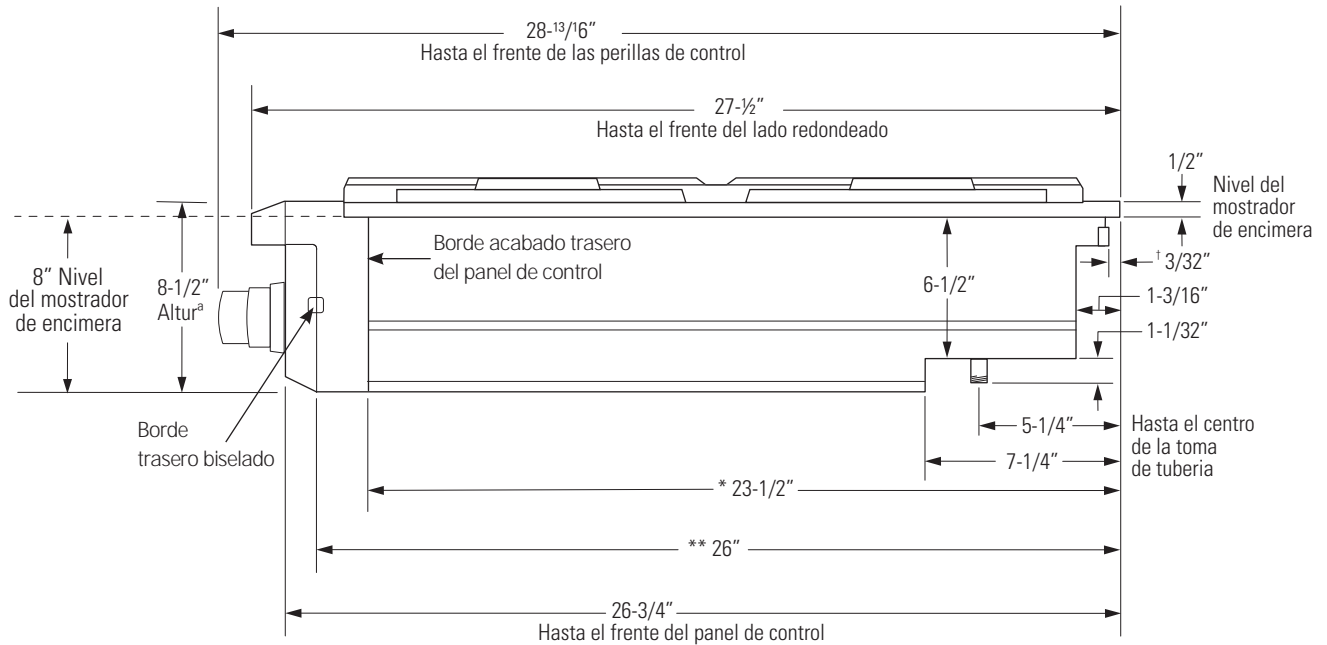
Las áreas de trabajo adyacentes a la estufa deben contar con un espacio mínimo de 18" entre el mostrador de encimera y la parte inferior del gabinete de pared.

Para la instalación de la isla, deje un espacio mínimo de 2-1/2" entre la abertura y el extremo trasero de la mesada y un mínimo de 3" entre la abertura y los extremos laterales de la mesada (ver la vista superior).



Información de diseño

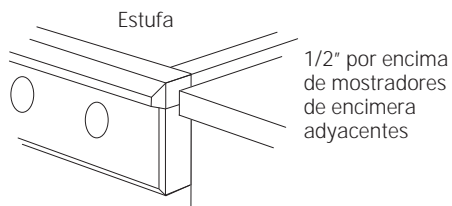
OPCIONES DE INSTALACIÓN



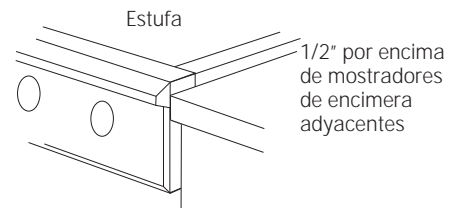
† Incluye la saliente del reborde trasero cuando el mostrador de encimera continúa por detrás del producto. La saliente es sólo decorativa. El peso de la estufa se encuentra sostenido por completo por los rebordes laterales.

* Profundidad mínima de abertura del gabinete desde la parte trasera del reborde trasero respecto del borde acabado trasero del panel de control – típicamente, la profundidad mínima del gabinete (de atrás hacia adelante). La profundidad máxima de abertura del gabinete es de 26". abertura del gabinete es de 26".

** Profundidad máxima de abertura del mostrador de encimera desde la parte trasera del reborde trasero respecto del borde trasero biselado a los lados del panel de control – típicamente, la profundidad máxima de la abertura del mostrador de encimera (del frente hacia atrás).



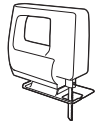
Los proyectos del panel de control remiten de los gabinetes estándares de la profundidad.



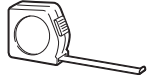
El frente de gabinetes profundos puede alinear con el borde biselado del panel de control.

Preparación para la instalación

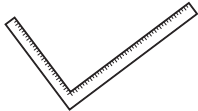
HERRAMIENTAS REQUERIDAS



Sierra sable



Cinta de medir



Regla de carpintero



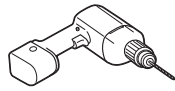
Gafas de seguridad



Destornillador de estrella #2



Nivel



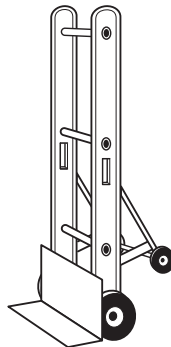
Perforadora y brocas apropiadas



Llave ajustable

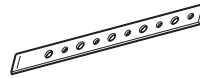


Llave de cubo o llave de 1/4"

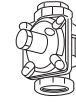


Carretilla de mano

MATERIALES PROVISTOS



Abrazadera de sujeción

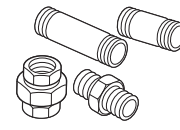


Regulador

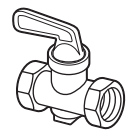
MATERIALES REQUERIDOS (NO PROVISTOS)



Sellador de juntas



Accesorios de tubería



Válvula de apagado



Suministro de gas de metal flexible aprobado por CSA de 5/8" de DE con una longitud máxima de 5 pies (longitud máxima de 3 pies sólo en Massachussets).

NOTA: Adquiera una línea flexible nueva; no utilice una línea de gas flexible previamente usada.

UBICACIONES DEL SUMINISTRO DE ENERGÍA

Suministro de gas:

- Los modelos de gas natural están diseñados para funcionar con una presión de columna de agua de 5". Para un funcionamiento adecuado, la presión del gas natural dirigido al regulador debe hallarse entre 7" y 13" de columna de agua.
- Los modelos de gas LP están diseñados para funcionar con una presión de columna de agua de 10". Para un funcionamiento adecuado, la presión del gas LP dirigido al regulador debe hallarse entre 11" y 13" de columna de agua.
- Ubique la toma de la tubería en la pared trasera o piso (ver "Dimensiones y espacios"). Utilice una línea de suministro de gas flexible de 5/8" de DE con una longitud máxima de 5 pies (3 pies en Massachussets).
- Instale una válvula de apagado manual en la línea de gas (no provista) en una ubicación fácilmente accesible. Asegúrese de que el dueño de casa sepa cómo y dónde cortar el suministro de gas hacia la estufa.

Suministro eléctrico:

Estas estufas deben contar con un suministro de 120 voltios, 60Hz, y deben estar conectadas a un circuito derivado dedicado con una adecuada conexión a tierra, con la protección de un interruptor de circuito o fusible de tiempo retardado de 15 amperios.

El cable de energía de este aparato está equipado con un enchufe de tres clavijas (conexión a tierra) que engancha con un tomacorriente de pared de tres clavijas con conexión a tierra para minimizar la posibilidad de un peligro de descarga eléctrica proveniente de este aparato.

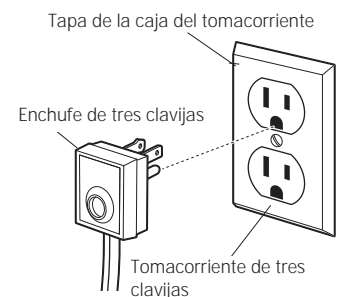
Si el servicio eléctrico provisto no cumple con las especificaciones anteriores, se recomienda que un electricista con licencia instale un tomacorriente aprobado.

BAJO NINGUNA CIRCUNSTANCIA CORTE O quite LA TERCERA CLAVIJA (CONEXIÓN A TIERRA) DEL CABLE DE ENERGÍA.

NO UTILICE UN CABLE DE EXTENSIÓN CON ESTE APARATO.

- Ubique el suministro de electricidad dentro del área indicada o dentro del alcance del cable de energía de 4 pies de la estufa.

- Para evitar que el cable se enrede con elementos almacenados en el gabinete, ubique el tomacorriente en la pared trasera, dentro del gabinete.



Preparación Instalación

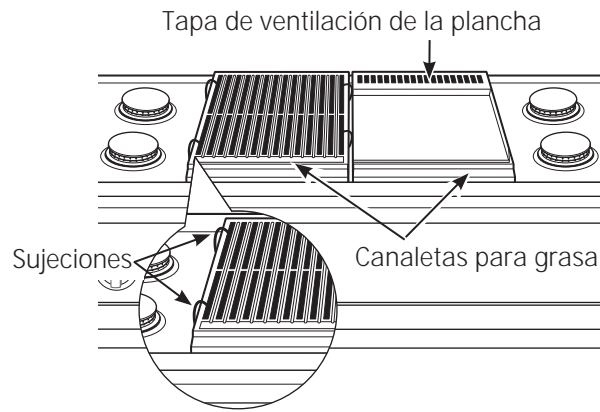
QUITE EL EMPAQUE

⚠ PRECAUCIÓN

Mantenga una distancia prudencial. Cuando se cortan, los extremos de los precintos de metal pueden golpearlo.

- Corte los precintos de metal.
- Quite la cinta y la espuma de empaque. Deseche todos los materiales de empaque de manera adecuada.
- Quite las tapas de la parrilla/plancha, la rejilla de la parrilla y las rejillas de los quemadores.
- Levante y quite la tapa de ventilación de la plancha de hierro fundido, las canaletas para grasa y las almohadillas.

- Corte las sujeciones que sostienen la rejilla de la parrilla al armazón de la parrilla.



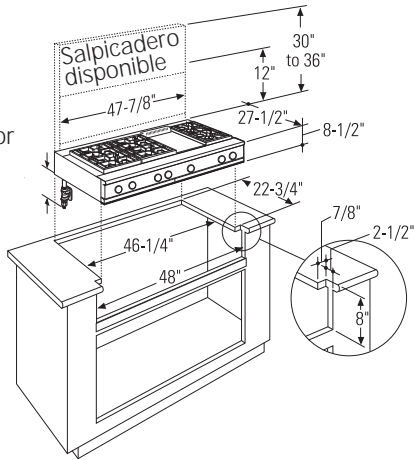
- Levante las tapas de los quemadores y quite las almohadillas de espuma, luego levante los cabezales de los quemadores y quite las almohadillas de espuma.



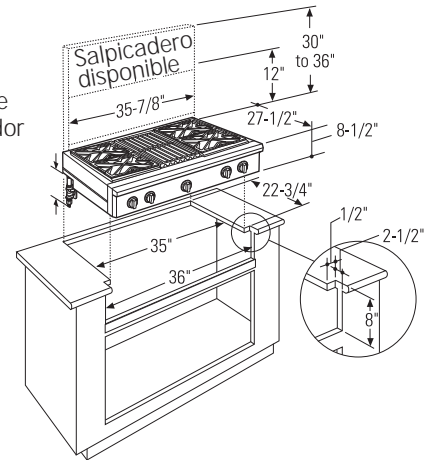
Instalación

PASO 1 CORTE LA ABERTURA DEL MOSTRADOR DE ENCIMERA

Deje un espacio adicional debajo de la caja del quemador de la estufa para el regulador y las conexiones de gas



Deje un espacio adicional debajo de la caja del quemador de la estufa para el regulador y las conexiones de gas



Los modelos de 48" de ancho se encuentran diseñados para usarse en gabinetes con una base de 48" o más.

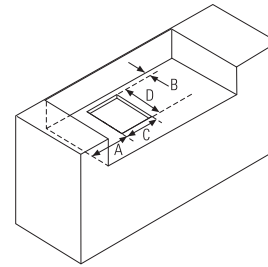
Los modelos de 36" de ancho se encuentran diseñados para usarse en gabinetes con una base de 36" o más.

Mida con mucho cuidado cuando corte el mostrador de encimera. Asegúrese de que los lados de la abertura sean paralelos.

Abertura de recorte con fondo falso

- Deje 8" de espacio libre debajo de la superficie superior del mostrador de encimera.
- Deje espacios adicionales debajo de la caja del quemador para instalar el regulador y para efectuar conexiones de suministro doméstico. Utilice un codo de 90° para guiar las conexiones de gas y para limitar la interferencia con los cajones y otros elementos de los gabinetes de cocina.
- Estas estufas están diseñadas para colgar del mostrador de encimera mediante las bridas laterales.
- Alise todos los bordes ásperos del mostrador de encimera antes de instalar la estufa.
 - Los bordes de los mostradores de encimera de fórmica deben estar acabados.

El mostrador de encimera debe ser lo suficientemente resistente para soportar el peso de la estufa.



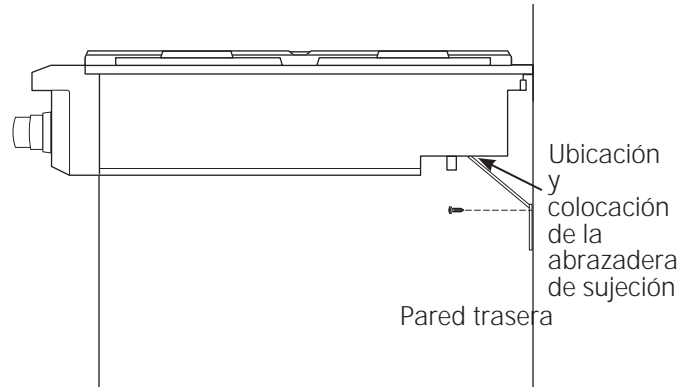
Dimensiones				
	A (Dia.)	B	C	D
Estufa de 36"	7-3/8"	1-1/2"	7-1/2"	11-1/8"
Estufa de 48"	8-1/4"	1-1/2"	7-1/2"	11-1/8"

- Usted puede construir el recorte con un fondo falso para ocultar la parte inferior de la estufa.
 - Construya el fondo falso un material sólido; corte un orificio de un diámetro de 7-1/2" x 11-1/8" en el extremo trasero izquierdo para la entrada de gas y para los espacios del cable de energía.

Instalación

PASO 2 INSTALE LA ESTUFA

- Deslice la cocina dentro de la abertura. Asegúrese de que la estufa esté colocada y apoyada en forma pareja.
- Se provee una abrazadera de sujeción con tornillos para sujetar la estufa a las paredes del gabinete traseras o laterales.
- Quite la abrazadera de sujeción de la parte trasera de la estufa. Sujete un extremo de la abrazadera a la parte trasera de la estufa.
- Sujete el otro extremo de la abrazadera lo más alto posible sobre la pared trasera del gabinete o gabinete adyacente. Mantenga la abrazadera lo más corta posible para una mayor seguridad.



PASO 3 CONECTE LA ESTUFA AL SUMINISTRO DE GAS

⚠ ADVERTENCIA

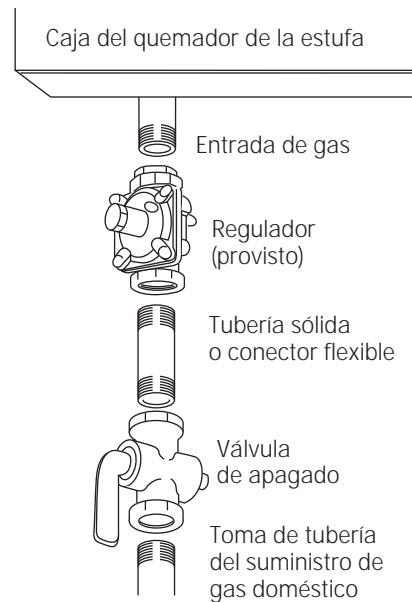
No utilice una llama para verificar pérdidas de gas. Debe instalarse una válvula de apagado manual en un lugar accesible.

Asegúrese de que el suministro de gas esté apagado desde la válvula de apagado.

- Instale el regulador de presión provisto en el extremo de la entrada de gas.
- Puede instalarse un codo de 90° (no provisto) en la entrada de gas para guiar las conexiones de gas a fin de limitar la interferencia con los cajones y otros elementos de los gabinetes de cocina. Sin embargo, no se recomienda porque provocará una caída de la presión de gas.
- Asegúrese de que el regulador esté instalado en la dirección correcta. Vea la flecha ubicada en la parte inferior del regulador.

NOTA: En lugar de utilizar tubería sólida para conectar al regulador de presión, puede utilizarse un conector de aparatos aprobado de metal flexible entre la toma de la tubería y la válvula de apagado y el regulador de presión, si así lo permiten los códigos locales.

- Encienda el gas y verifique la presencia de pérdidas. –Utilice un detector de pérdidas líquido en todas las juntas y conexiones del sistema.



IMPORTANTE: Desconecte la estufa y la válvula individual de apagado del sistema de tubería de suministro de gas durante cualquier prueba de presión del sistema a presiones de prueba mayores a 1/2 psig. Aísle la estufa del sistema de tubería de suministro de gas cerrando la válvula individual de apagado hacia la estufa durante cualquier prueba de presión del sistema de suministro de gas en presiones de prueba iguales o menores a 1/2 psig.

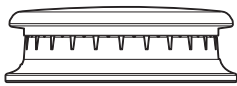
Installation

PASO 4 CONECTE LA ELECTRICIDAD

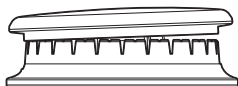
- Enchufe el cable de energía en un tomacorriente con adecuada conexión a tierra.
- Presione el botón ubicado en el lado izquierdo del panel de control. Las luces ubicadas sobre las perillas deben iluminarse.

PASO 5 CONTROLE LOS QUEMADORES

Asegúrese de que los cabezales y las tapas de los quemadores estén bien colocados.



Tapa del quemador bien colocada



Tapa del quemador mal colocada

- Asegúrese de contar con un encendido adecuado:
 - Presione hacia adentro una perilla de control y gire a la posición LITE (encendido).
 - El encendedor generará chispas y el quemador se encenderá; el encendedor dejará de chispear cuando el quemador se haya encendido.
 - La primera vez puede tomar más tiempo, mientras se purga el aire de la línea de gas.
 - Gire la perilla a OFF (apagado).
 - Repita el procedimiento para cada quemador.

IMPORTANTE: Si los electrodos del encendedor siguen chispeando después de que los quemadores se hayan encendido, controle que los componentes de todos los quemadores estén bien instalados. Consulte el Manual del propietario.

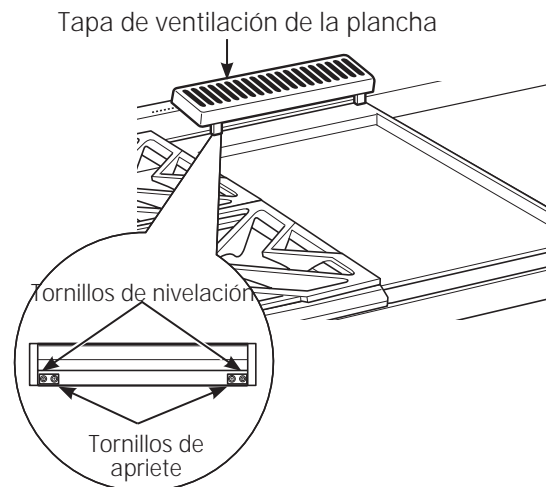
- Las llamas de los quemadores deben ser azules y estables sin puntas amarillas, ruidos excesivos o elevaciones de la llama del quemador. Si existiera alguna de estas condiciones, controle que las bocas de los quemadores no se encuentren bloqueadas. Si alguna de estas condiciones continúa, llame al servicio técnico.

FINALICE LA INSTALACIÓN

Coloque las rejillas de los quemadores sobre los quemadores. Las rejillas deben estar bien asentadas y no deben moverse.

La plancha se halla sujeta con tornillos. Se encuentra diseñada para permanecer en un lugar fijo y no debe quitarse.

La plancha cuenta con dos tornillos de nivelación debajo de tapa de ventilación trasera que pueden usarse para ajustar la inclinación deseada.



Los dos tornillos internos son tornillos de apriete para asegurar la plancha en su lugar. Afloje los dos tornillos antes de nivelar. No quite estos dos tornillos.

Los dos tornillos exteriores son tornillos de nivelación. No quite estos dos tornillos. Pueden girarse para nivelar la plancha o para brindar una inclinación hacia adelante para que las grasas y aceites se escurran de los alimentos que se están cocinando.

Después de nivelar la plancha, ajuste los tornillos de apriete a mano; no ajuste de más.

LISTA DE CONTROL DE LA INSTALACIÓN

- Verifique que todos los controles queden en la posición OFF (apagado).
- Asegúrese de que la corriente de aire de combustión y de ventilación hacia la estufa no esté obstruida.
- La placa de serie de su estufa se encuentra ubicada en la parte inferior de la estufa. Además de los números de modelo y de serie, la placa le indica las clasificaciones de los quemadores y el tipo de combustible y la presión que la estufa tenía configurados cuando salió de fábrica.
- **Vuelva a chequear los pasos:** Constata dos veces que todos los puntos de este manual se hayan completado. Volver a chequear los pasos garantizará un uso seguro de la estufa.

Instalación de accesorios ZX12B30PSS, ZX12B36PSS, ZX12B48PSS

ACCESORIOS OPCIONALES – SALPICADERO ALTO DE 12"

⚠️ ADVERTENCIA:

Para prevenir el encendido de materiales combustibles, debe protegerse toda la pared trasera de la cocina mediante un salpicadero construido con un material no combustible.

El accesorio para salpicadero de acero inoxidable debe instalarse en combinación con un salpicadero no combustible a medida construido más allá de la altura de 12" del salpicadero.



ANTES DE COMENZAR

Lea estas instrucciones por completo y con detenimiento.

IMPORTANTE: Guarde estas instrucciones para el uso de inspectores locales.

IMPORTANTE: CUMPLA CON TODOS LOS CÓDIGOS Y ORDENANZAS VIGENTES.

NOTA AL INSTALADOR: Asegúrese de dejar estas instrucciones al consumidor.

NOTA AL CONSUMIDOR: Conserve estas instrucciones con el Manual del propietario para referencia futura.

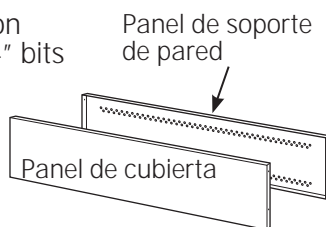
Este kit provee los materiales necesarios para la instalación de salpicaderos de 12" de altura para cocinas y estufas profesionales Monogram de 30", 36" o 48".

HERRAMIENTAS Y MATERIALES REQUERIDOS

- Guantes para protegerse de los bordes filosos
- Destornilladores T-15 y de estrella #2
- Perforadora eléctrica con mechas de 3/32" y 9/64" bits
- Gafas de seguridad
- Nivel
- Lápiz

Este kit incluye

- Panel de soporte de pared
- Panel de cubierta
- Paquete de ferretería con
 - 5 tornillos auto-roscantes #8 Torx 15 de acero inoxidable
 - 5 tornillos de estrella #2 para madera de cabeza troncocónica #10

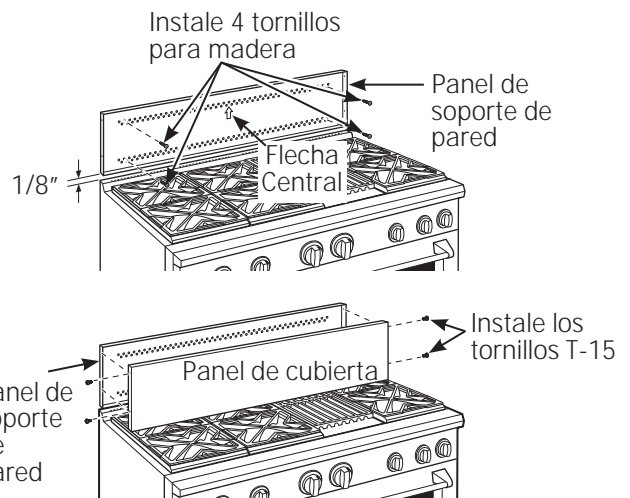


Paquete de ferretería

INSTALE EL SALPICADERO DE 12"

⚠️ **ADVERTENCIA:** Este salpicadero debe estar bien sujeto a la pared. No hacerlo puede provocar daños o lesiones personales.

- Instale y nivele la cocina o estufa y la capucha de la cocina de acuerdo con las instrucciones de instalación.
- Quite el empaque y la película protectora del salpicadero.
- Utilice un nivel para marcar con lápiz una línea horizontal sobre la pared, 1/8" sobre la cocina o estufa. El espacio de 1/8" permite que el panel de cubierta se superponga con el panel de soporte de pared.
- Ubique los parantes en ambos lados. Donde no haya parantes disponibles, utilice anclajes de pared (no provistos).
- Alinee el panel de soporte de pared sobre la línea horizontal marcada y centrada de izquierda a derecha.
- El panel de soporte de pared debe fijarse a la pared en las 4 esquinas. Utilice tornillos para madera (provistos) o anclajes de pared (no provistos) para fijar el panel de soporte a la pared.
- Coloque el panel de protección sobre el panel de soporte de pared y fije con tornillos Torx (provistos). Instale 2 tornillos en cada lado.



Instalación de accesorios ZXADJB30PSS, ZXADJB36PSS, ZXADJB48PSS

ACCESORIOS –SALPICADERO AJUSTABLE DE 30" A 36" (no incluido)

⚠ ADVERTENCIA:

Para prevenir el encendido de materiales combustibles, debe protegerse toda la pared trasera de la cocina mediante un salpicadero construido con un material no combustible.



ANTES DE COMENZAR

Lea estas instrucciones por completo y con detenimiento.

IMPORTANTE: Guarde estas instrucciones para el uso de inspectores locales.

IMPORTANTE: CUMPLA CON TODOS LOS CÓDIGOS Y ORDENANZAS VIGENTES.

NOTA AL INSTALADOR: Asegúrese de dejar estas instrucciones al consumidor.

NOTA AL CONSUMIDOR: Conserve estas instrucciones con el Manual del propietario para referencia futura.

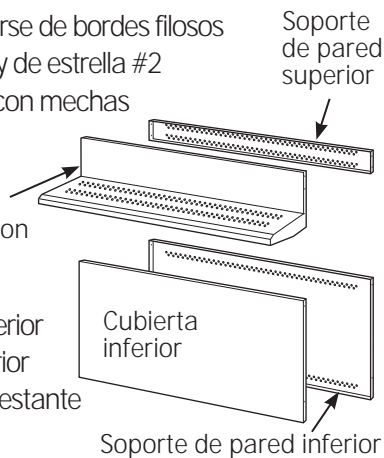
- Este salpicadero puede ajustarse para poder utilizarse en el espacio entre la parte superior de la cocina y la parte inferior de la capucha, con una altura mínima de 30" y una máxima de 36".
- El peso máximo de capacidad de carga del estante es de 40 lbs.

HERRAMIENTAS Y MATERIALES REQUERIDOS

- Guantes para protegerse de bordes filosos
 - Destornilladores T-15 y de estrella #2
 - Perforadora eléctrica con mechas de 3/32" y 9/64"
 - Gafas de seguridad
 - Nivel
 - Lápiz
- Cubierta superior con estante

Este kit incluye

- Soporte de pared superior
- Soporte de pared inferior
- Cubierta superior con estante
- Cubierta inferior
- Paquete de ferretería con
 - 9 tornillos auto-roscantes #8 Torx 15 de acero inoxidable
 - 9 tornillos de estrella #2 para madera de cabeza troncocónica #10
 - 3 tornillos de cabeza segmentada #10 de acero inoxidable #2 (para un método de instalación alternativo)



Paquete de ferretería

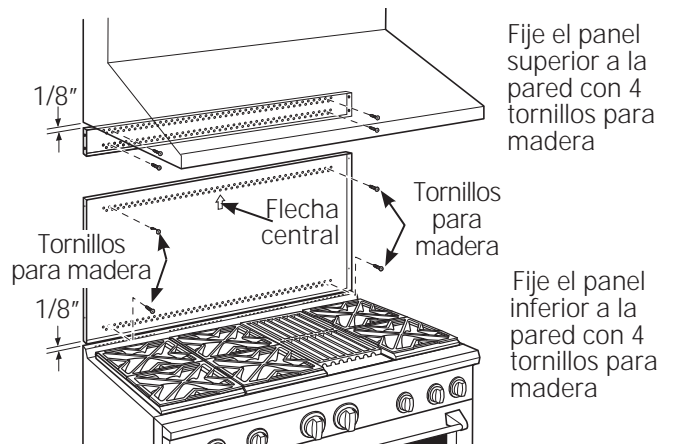
INSTALE LOS PANELES DE SOPORTE DE PARED

⚠ ADVERTENCIA: Los paneles de soporte de pared deben estar bien sujetos a la pared. No hacerlo puede provocar daños o lesiones personales.

IMPORTANTE: Este salpicadero se encuentra diseñado para cubrir la pared entre la parte inferior de la capucha y la parte superior de la cocina. La capucha de ventilación debe instalarse sobre la estufa o cocina antes de instalar el salpicadero.

- Instale y nivele la cocina/estufa de acuerdo con las instrucciones de instalación del producto.
- Quite el empaque y la película protectora del salpicadero.
- Ubique los parantes en ambos lados. Donde no haya parantes disponibles, utilice anclajes de pared (no provistos).
- Utilice un nivel para marcar con lápiz 2 líneas horizontales sobre la pared, una 1/8" por debajo de la capucha de ventilación y la otra 1/8" por encima de la cocina/estufa. El espacio de 1/8" permite que los paneles de cubierta se superpongan con los soportes de pared.
- Fije el panel de soporte de pared superior a la pared con 4 tornillos para madera, a través de los parantes exteriores.
- Utilice 4 tornillos para madera para fijar el panel de soporte de pared inferior. La ranura central debe ubicarse en la parte superior.

El espacio entre los paneles de soporte superior e inferior se cubrirá con la cubierta superior con estante.



Fije el panel superior a la pared con 4 tornillos para madera

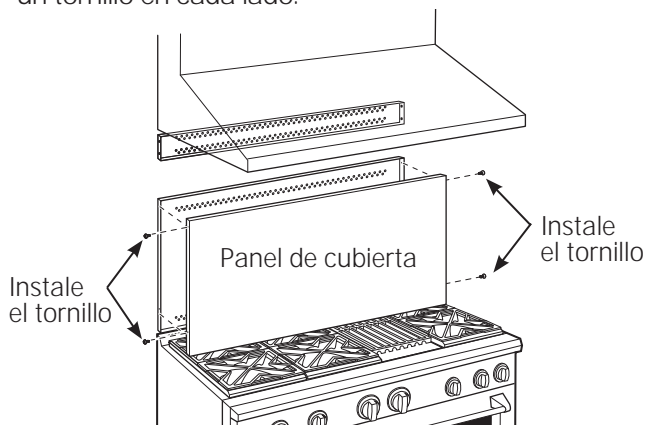
Fije el panel inferior a la pared con 4 tornillos para madera

Instalación de accesorios ZXADJB30PSS, ZXADJB36PSS, ZXADJB48PSS

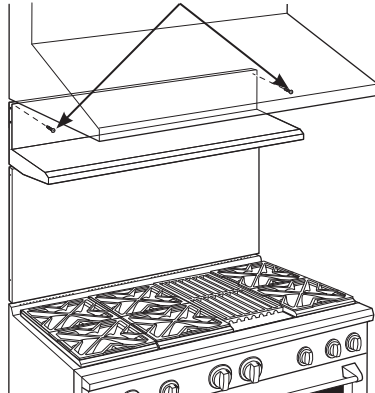
INSTALE LOS PANELES DE CUBIERTA

Ver el método alternativo si el acceso lateral se encuentra bloqueado.

- Sostenga la cubierta inferior sobre el soporte inferior mientras coloca un tornillo (provisto) sobre cada lado.
- Coloque la cubierta superior con estante sobre el soporte de pared superior. Si tiene acceso a los lados, fije el panel con dos tornillos de cada lado.
- Fije la cubierta superior con estante al soporte superior con tornillos a través de la parte frontal del panel, en las esquinas superiores. Utilice un tornillo en cada lado.



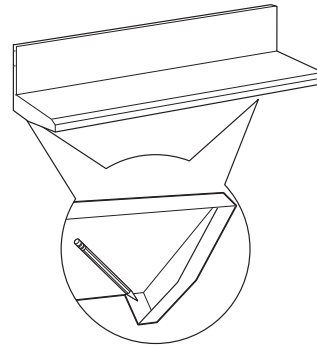
Instale tornillos en las esquinas



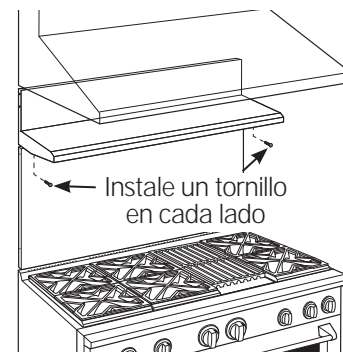
INSTALE LOS PANELES DE CUBIERTA (cont.)

MÉTODO ALTERNATIVO: Cuando el acceso lateral se encuentra bloqueado.

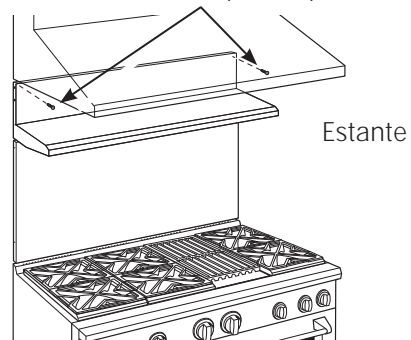
- Instale la cubierta inferior sobre el soporte inferior mientras coloca un tornillo sobre cada lado.
- Sostenga la cubierta superior en su lugar mientras marca las ubicaciones de los tornillos, apenas debajo del soporte de estante y sobre la cubierta inferior.
- Quite el estante y perforo un orificio de 9/64" de diámetro en las ubicaciones marcadas con lápiz.
- Monte la cubierta superior sobre el soporte superior y fije la cubierta frontal con tornillos a través de los orificios perforados sobre cada lado.
- Instale tornillos a través de cada esquina superior.



Marque las ubicaciones de tornillos para el método alternativo



Instale un tornillo en la esquina superior de cada lado



Instrucciones de instalación

Conversión de gas natural a gas LP
Conversión de gas LP a gas natural

⚠ ADVERTENCIA: Esta conversión debe efectuarla un instalador calificado o un proveedor de gas de acuerdo con las instrucciones del fabricante y con todos los códigos y requerimientos de la autoridad competente. No seguir estas instrucciones puede provocar lesiones graves o daños a la propiedad. La agencia calificada a cargo de este trabajo asume la responsabilidad de la conversión.

⚠ ADVERTENCIA: La estufa, como se envía de fábrica, se encuentra configurada para funcionar con una clase de gas determinada. Si desea utilizar su estufa con otro gas, primero deben reemplazar los orificios y convertir el regulador de presión.

⚠ ADVERTENCIA: Los siguientes ajustes deben realizarse antes de encender el quemador. No hacerlo puede provocar una lesión grave. Asegúrese de que el regulador de presión se haya convertido como se describe en el Paso 2.

HERRAMIENTAS NECESARIAS PARA LA CONVERSIÓN



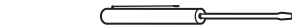
Llave Crescent



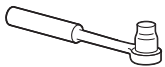
Llave de tuercas de 7 mm y 1/4"



Gafas de seguridad



Destornillador plano pequeño (2 a 2.4 mm o 3/32" de tamaño de punta, 60 mm de largo)



Llave de cubo larga de 1/2"



Alicates pequeños



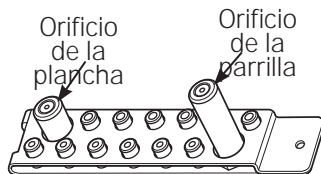
Destornillador de estrella

1 SOPORTE DE ORIFICIOS

El soporte de orificio de la cocina se encuentra detrás del panel de acceso frontal en la parte inferior de la cocina.

El soporte de orificio de la estufa se encuentra dentro del revestimiento aislante de la cocina.

Puede haber orificios adicionales. Sólo utilice los orificios especificados en las instrucciones de su cocina o estufa.



Orificios de los quemadores

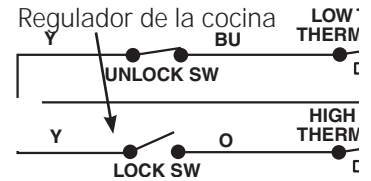
Orificio de la plancha

Orificio de la parrilla

2 CONVIERTA EL REGULADOR

Desconecte el suministro de energía desde el interruptor de circuitos o la caja de fusibles.

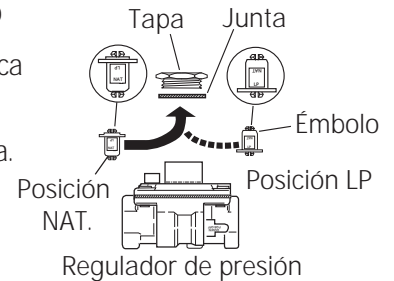
- A. Quite el reborde de ventilación trasero (sólo en cocinas) para acceder al regulador. El regulador de la estufa se encuentra en el extremo inferior izquierdo.



- B. Corte el suministro de gas cerrando la válvula de apagado manual de la unidad o de la pared.

- C. Convierta el regulador de presión:

- Desenrosque la tapa del émbolo.
- Coloque el pulgar contra el lado plano del émbolo y presione hacia abajo para remover el émbolo de la tapa.
- Mire bien el émbolo para ubicar la posición NAT o LP.
- Dé vuelta el émbolo para que el gas deseado se vea cerca de la parte inferior.
- Vuelva a colocar el émbolo en la tapa.
- Enrosque la tapa dentro del regulador.



3 CAMBIE LOS ORIFICIOS DE LOS QUEMADORES

CONSEJO DE INSTALACIÓN:

Primero quite todos los orificios y luego comience a colocarlos de nuevo. Esto lo ayudará a evitar la posibilidad de que algunos no vuelvan a colocarse.

- A. Quite las rejillas de los quemadores, las tapas de los quemadores y cabezales de los quemadores.

- B. Afloje los orificios del quemador superior utilizando una llave de tuercas de 7 mm. Utilice alicates pequeños para quitar los orificios con mucho cuidado.

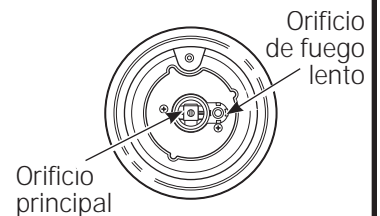
El orificio principal se encuentra en la parte inferior del centro del quemador, mientras que el orificio de fuego lento se encuentra más arriba al lado del centro del quemador.

Tapa del quemador

Cabezal del quemador

Encendedor por chispa

Base del quemador



Orificio principal

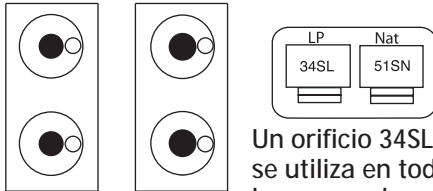
Orificio de fuego lento

Instrucciones de instalación para conversión de gas

3 CAMBIE LOS ORIFICIOS DE LOS QUEMADORES (cont.)

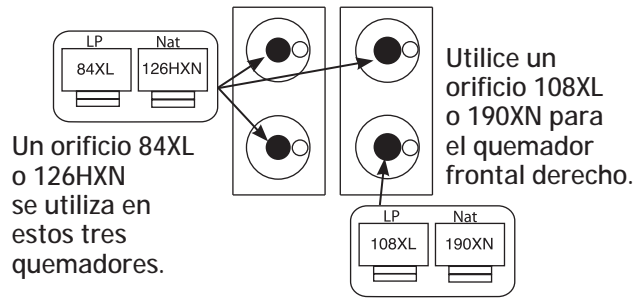
IMPORTANTE: Busque el número de modelo a continuación. Lea cada etiqueta de los orificios para identificarlos e instalarlos en las ubicaciones precisas que se muestran.

ZDP304 ORIFICIOS DE FUEGO LENTO



Un orificio 34SL o 51SN se utiliza en todos los quemadores.

ZDP304 ORIFICIOS PRINCIPALES

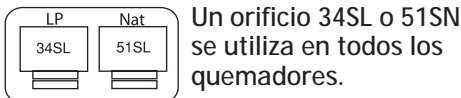


Un orificio 84XL o 126HXN se utiliza en estos tres quemadores.

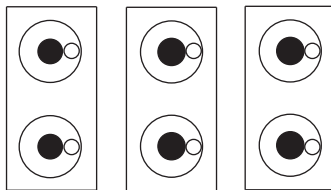
Utilice un orificio 108XL o 190XN para el quemador frontal derecho.

ZDP364, ZDP366, ZDP484, ZDP486

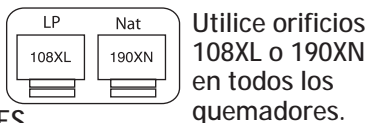
ORIFICIOS DE FUEGO LENTO



Un orificio 34SL o 51SN se utiliza en todos los quemadores.



ORIFICIOS PRINCIPALES



Utilice orificios 108XL o 190XN en todos los quemadores.

- Coloque los orificios sin usar de vuelta en el soporte. Vuelva a instalar el soporte y la hoja de instrucciones con el tornillo en la ubicación de almacenamiento original.
- Reemplace los cabezales, las tapas y las rejillas superiores. En los modelos de cocina, reemplace el reborde de ventilación trasero.

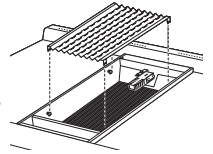
4 ** CAMBIE EL ORIFICIO DE LA PARRILLA (si corresponde)

Ubique el orificio de parrilla de 1-1/2" de longitud. Seleccione el tipo de gas. LP—.047, NAT—.067

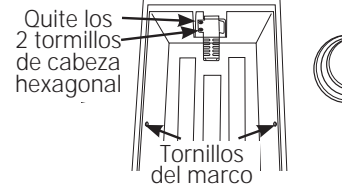


4 ** CAMBIE EL ORIFICIO DE LA PARRILLA (cont.)

- Quite la tapa de la parrilla, las rejillas y el armazón de la rejilla. Levante el deflector radiante hacia arriba y afuera.
- Quite los 2 tornillos de cabeza hexagonal de la parte superior del encendedor.

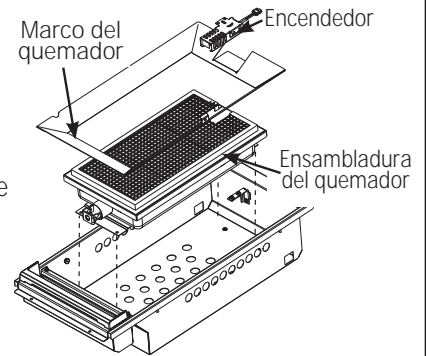


- Saque un tornillo de cada lado del marco del quemador.
- Levante el marco.



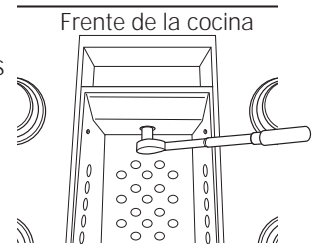
- Cuidadosamente, empuje el encendedor hacia un costado debajo del quemador. No hale del cable ni lo pellizque.

Saque 4 tornillos de sujeción del quemador, 2 en el frente y 2 en la parte trasera. Deslice la ensambladura del quemador hacia atrás y fuera de la entrada de gas.



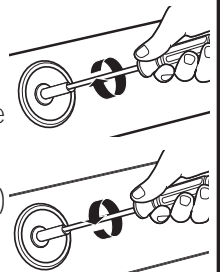
- Utilice una llave de cubo larga de 1/2" para sacar y reemplazar el orificio. Invierta estos pasos para volver a montar la parrilla.

Asegúrese de colocar el orificio sin usar en el soporte para posibles usos futuros.



- Ajuste la Configuración de la Parrilla en "LO" (Bajo)

- Asegúrese de que la conexión de gas y electricidad a la unidad estén cerradas.
- Gire la perilla de la parrilla a **LO (Bajo)** y retire la perilla empujando hacia afuera.
- Inserte un destornillador pequeño de punta plana en el agujero en el centro del vástago de la válvula para colocar el tornillo correspondiente.
- Para convertir la configuración LO (Bajo) de gas natural a gas LP, Gire el tornillo en dirección de las agujas del reloj hasta que se detenga (aproximadamente 3/4 de giro). Es posible que sea necesario tomar la parte exterior del vástago de la válvula con un par de pinzas, a fin de evitar que el vástago de la válvula rote a medida que el tornillo es ajustado.
- Para convertir la configuración LO (Bajo) de gas LP a gas natural, gire el tornillo en dirección contraria a las agujas del reloj aproximadamente 3/4 de giro.



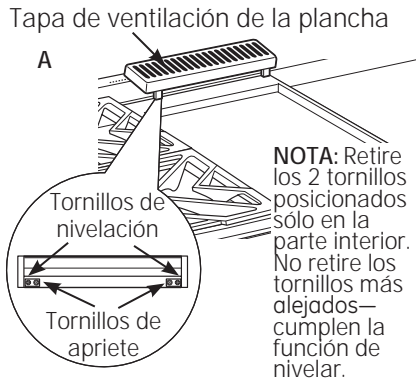
Instrucciones de instalación para conversión de gas

5 CAMBIE EL ORIFICIO DE LA PLANCHA (si corresponde)

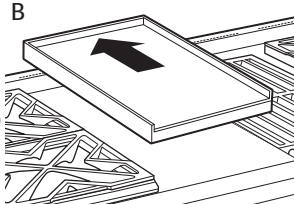
Ubique el orificio de la plancha de 3/4" de longitud. Seleccione el tipo de gas. LP—.047, NAT—.076



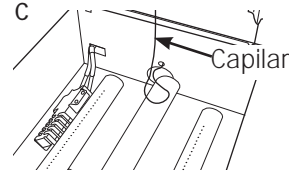
- A. Levante la tapa de ventilación de la plancha. Retire los 2 tornillos interiores de apriete.



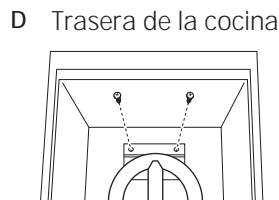
- B. Retire la canaleta para grasa de hierro fundido. Deslice la plancha hacia atrás y fuera de las lengüetas de sujeción a lo largo de la parte inferior.



- C. Con cuidado levante y sostenga la plancha mientras agrega longitud desde el capilar al orificio de entrada. Sostenga la plancha en el extremo del cárter para grasa.



- D. Retire los 2 tornillos de sujeción en la parte trasera del quemador. Quite el quemador empujando hacia atrás y afuera de la entrada de gas.



- E. Use la llave de cubo larga de 1/2" para retirar y reemplazar el orificio.



Realice los pasos hacia atrás para volver a ensamblar la plancha. Vuelva a colocar el capilar excesivo nuevamente en el orificio de entrada. Coloque el orificio no utilizado en el soporte para posibles usos futuros.

6 AJUSTE LAS LLAMAS DEL QUEMADOR

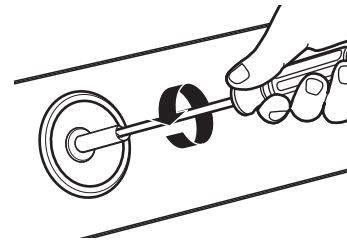
Normalmente, los quemadores no necesitan nuevos ajustes. Realice los ajustes sólo cuando sea necesario.

- A. Encienda el gas. Enchufe el cable eléctrico.
B. Encienda todos los quemadores en la configuración más alta y controle las llamas. Tienen que ser de color azul. Cuando utilice gas LP, las llamas pueden tener puntas amarillas. Partículas extrañas en la línea de gas pueden provocar una llama anaranjada al comienzo, pero esto desaparecerá rápidamente.
C. Gire la perilla del quemador de la estufa a "LO" (bajo) mientras observa la llama.

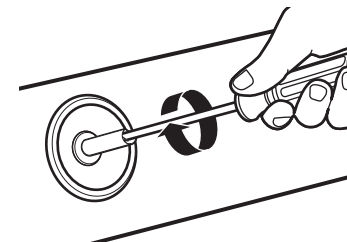
Ajuste la configuración de la hilera superior de las llamas utilizando el tornillo de derivación de válvula de la siguiente manera:

Los ajustes deben efectuarse con otros dos quemadores que funcionen en una configuración media. Este procedimiento evita que la hilera superior de las llamas sea demasiado baja, lo que provoca que la llama se apague cuando los otros quemadores se encienden.

- D. Para ajustar la llama, quite las perillas. Introduzca un destornillador pequeño de lados planos a través del orificio en el centro del vástago de la válvula para enganchar el tornillo.



- Si las llamas son demasiado pequeñas o se agitan, gire el tornillo en sentido contrario a las agujas del reloj.



- Si las llamas son demasiado grandes, gire el tornillo en sentido de las agujas del reloj.
- E. Realice el ajuste girando el tornillo lentamente hasta que la apariencia de la llama sea la correcta.

Una vez que la conversión se haya finalizado y controlado, llene la etiqueta de la conversión y fijela cerca de la etiqueta de clasificación. Para cocinas, coloque la etiqueta debajo del panel de control. Para estufas, coloque la etiqueta en la parte inferior de la unidad.

Notes

Notes

NOTE: While performing installations described in this book, safety glasses or goggles should be worn.

For Monogram® local service in your area, call 1.800.444.1845.

NOTE: Product improvement is a continuing endeavor at General Electric. Therefore, materials, appearance and specifications are subject to change without notice.

REMARQUE: lorsque vous procédez aux installations abordées dans ce manuel, il est fortement recommandé de porter des lunettes de sécurité.

Pour contacter le service de dépannage Monogram® le plus proche de chez vous, veuillez appeler le 1.800.444.1845.

REMARQUE: la philosophie de General Electric fait la part belle à l'innovation. C'est pourquoi les matériaux, les caractéristiques et l'apparence extérieure peuvent faire l'objet de modifications sans préavis.

NOTA: Mientras efectúa las instalaciones descritas en este libro, deben utilizarse gafas o lentes de seguridad.

Para servicio técnico local Monogram® en su área, llame al 1.800.444.1845.

NOTA: La mejora de los productos es un esfuerzo continuo para General Electric. Por lo tanto, los materiales, la apariencia y las especificaciones pueden sufrir cambios sin previo aviso.

