



INSTALLATION INSTRUCTIONS

36" and 48"
Professional Rangetop

ENGLISH/FRANÇAIS/ESPAÑOL.

Safety Information

Have a question or need assistance with your appliance? Try the Monogram website 24 hours a day, any day of the year! You can also shop for more great Monogram products and take advantage of all our on-line support services designed for your convenience. In the US: monogram.com

IN THE COMMONWEALTH OF MASSACHUSETTS

- This product must be installed by a licensed plumber or gas fitter.
- When using ball type gas shut-off valves, they shall be the T-handle type.
- A flexible gas connector, when used, must not exceed 5 feet.

⚠ WARNING FIRE OR EXPLOSION HAZARD

If the information in this manual is not followed exactly, a fire or explosion may result causing property damage, personal injury or death.

Installation must be performed by a qualified installer.

Read these instructions completely and carefully.

Installation of this range must conform with local codes, or in the absence of local codes, with the National Fuel Gas Code, ANSI Z223.1/NFPA.54, latest edition. In Canada, installation must conform with the current Natural Gas Installation Code, CAN/CGA-B149.1 or the current Propane (LP) Installation Code, CAN/CGA-B149.2, and with local codes where applicable. This range has been design-certified by CSA International according to ANSI Z21.1, latest edition and Canadian Gas Association according to CAN/CGA-1.1 latest edition.

When installing a gas appliance the use of old flexible connectors can cause gas leaks and personal injury. Always use a NEW flexible connector.

Leak testing of the appliance shall be conducted according to the manufacturer instructions.

The range must be electrically grounded in accordance with local codes or, in the absence of local codes, in accordance with the National Electrical Code (ANSI/NFPA 70, latest edition). In Canada, electrical grounding must be in accordance with the current CSA C22.1 Canadian Electrical Code Part 1 and/or local codes. See Electrical Connections in this section.

Do not install this product with an air curtain hood or other range hood that operates by blowing air down on the cooktop. This airflow may interfere with operation of the gas burners resulting in fire or explosion hazard.

READ AND SAVE THESE INSTRUCTIONS

Safety Information

BEFORE YOU BEGIN

Read these instructions completely and carefully.

- **IMPORTANT** — Save these instructions for local inspector's use.
- **IMPORTANT** — Observe all governing codes and ordinances.
- **IMPORTANT** — Remove all packing material and literature from oven before connecting gas and electrical supply to range.
- **IMPORTANT** — To avoid damage to your cabinets, check with your builder or cabinet supplier to make sure that the materials used will not discolor, delaminate or sustain other damage. This oven has been designed in accordance with the requirements of UL and CSA International and complies with the maximum allowable wood cabinet temperatures of 194°F (90°C).
- **Note to Installer** — Be sure to leave these instructions with the consumer.
- **Note to Consumer** — Keep these instructions with your Owner's Manual for future reference.
- **Service** — The electrical diagram is in an envelope attached to the back of the range.
- Proper installation is the responsibility of the installer.
- Product failure due to improper installation is not covered under warranty.
- For Monogram Parts and Accessories, visit our website at monogram.com/ownership/parts/
- If you received a damaged rangetop, you should contact your dealer.

IF SOLD OUTSIDE THE U.S. AND CANADA

▲WARNING If you wish to use this product with Liquefied Petroleum (LP) gas containing greater than 10% butane, you must purchase the butane conversion kit #ZXBUPR01. To order, please call 1.888.664.8403 or 1.787.276.4051. Failure to do so may result in carbon monoxide or fire hazard.

VENT HOOD COMBINATIONS

A suitable overhead vent hood is required for models with a grill and is recommended for all other models.

Due to the high heat capacity of this unit, particular attention should be paid to the hood and ductwork installation to assure it meets local building codes.

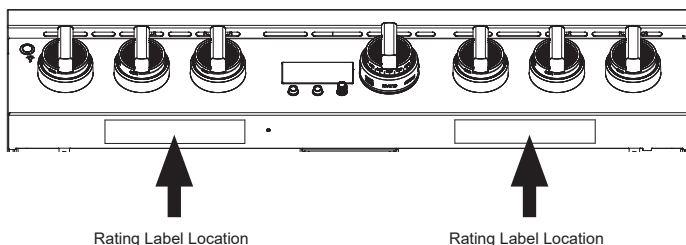
Clearances to horizontal surfaces above the range, measured to the cooking surface are below. Failure to comply may result in fire hazard.

- Installations without a hood require 48" minimum to combustibles, except model ZGU486 where a suitable vent hood is required.
- A custom hood installation with exposed horizontal combustibles surfaces must have an Auto-On feature.
- For other installations with a hood, refer to hood installation instructions for specific hood clearances.

▲CAUTION These rangetops are extremely heavy. Some disassembly will reduce the weight considerably. Due to the weight and size of the rangetop and to reduce the risk of personal injury or damage to the product:

TWO PEOPLE ARE REQUIRED FOR PROPER INSTALLATION OF RANGETOPS.

THREE PEOPLE ARE REQUIRED FOR PROPER INSTALLATION OF 48" RANGETOPS.



READ AND SAVE THESE INSTRUCTIONS

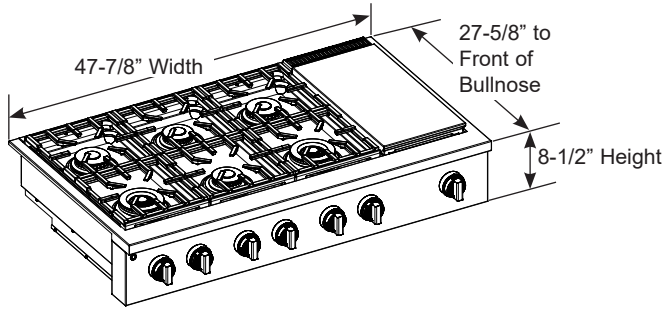
Contents

CONTENTS

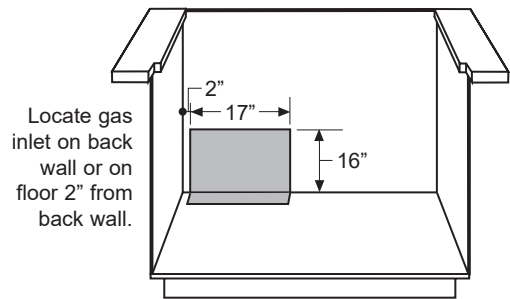
Safety Information	2	UX12BS36PSS, UX12BS48PSS Accessory Installation	
Design Information		Optional Accessories—12” High Backsplash	
Product Dimensions and Clearances	5	Tools and Materials Required	15
Installation Information		Install 12” Backsplash	15
WB28K10553 High Altitude Kit	8	UXADBS36PSS, UXADBS48PSS Accessory Installation	
Materials Provided	8	Accessories—30” To 36” Adjustable Backsplash)	
Materials Required (not provided)	8	Tools and Materials Required	16
Tools Required	8	Install the Wall Support Panels	16
Installation		Install Cover Panels	17
Remove Packaging	9		
Cut the Countertop Opening	10		
Install Rangetop	11		
Conversion to Propane (LP) Gas or Natural Gas	11		
Gas Supply	12		
Electrical Connections	13		
Check Burners	13		
Check Surface Burners	13		
Finalize Installation	14		
When All Hookups Are Completed	14		

Design Information

PRODUCT DIMENSIONS AND CLEARANCES FOR 48" MODELS



Universal Utility Locations

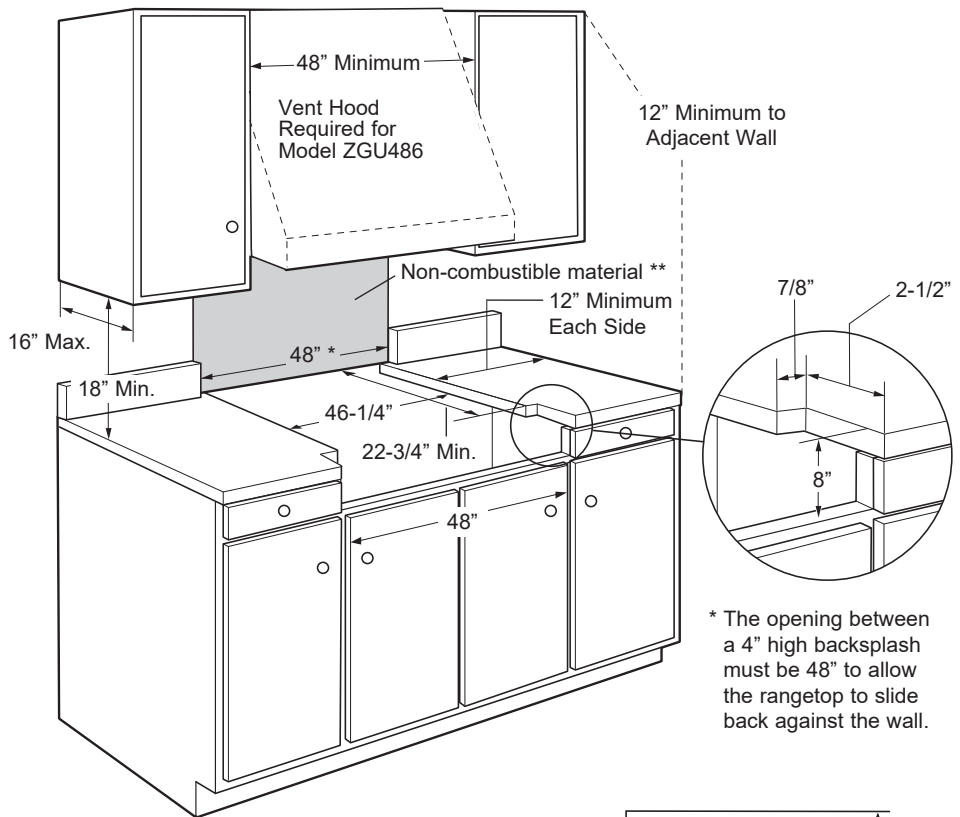


WARNING A suitable overhead vent hood is required for model ZGU486. A custom hood installation with exposed horizontal combustible surfaces must have an Auto-On feature. Refer to hood installation instructions for specific hood clearances.

The surface of the entire back wall above the range and below the hood must be covered with a non-combustible material such as metal, ceramic tile, brick, marble or other stone.

CAUTION To prevent drafts from affecting burner operation, seal all openings in floor under appliance and behind appliance wall.

** As defined in the National Fuel Gas Code (ANSI Z223.1/CSA B149.1, Current Edition). Clearances from non-combustible materials are not part of the ANSI Z21.1/CSA 1.1 scope and are not certified by CSA. Clearances less than 12" must be approved by local codes and/or the authority having jurisdiction.



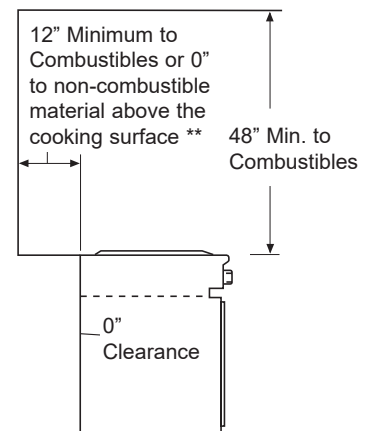
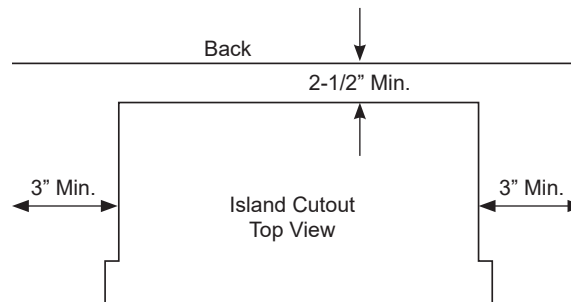
* The opening between a 4" high backsplash must be 48" to allow the rangetop to slide back against the wall.

ADDITIONAL CLEARANCES:

Allow 12" minimum clearance to an adjacent wall on each side.

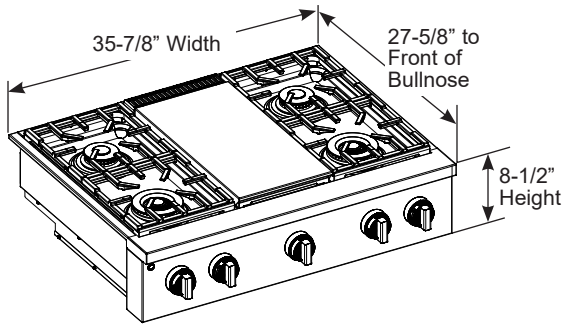
Working areas adjacent to the rangetop should have 18" minimum clearance between countertop and the bottom of the wall cabinet.

For island installation, maintain 2-1/2 in. minimum from cutout to back edge of countertop and 3 in. minimum from cutout to side edges of countertop (see top view).

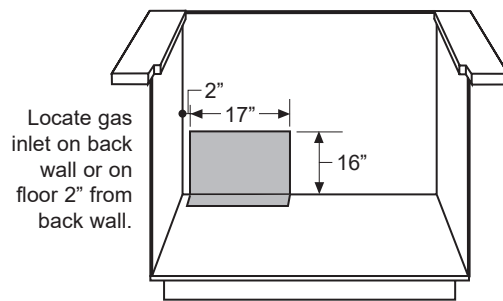


Design Information

PRODUCT DIMENSIONS AND CLEARANCES FOR 36" MODELS



Universal Utility Locations



⚠ WARNING

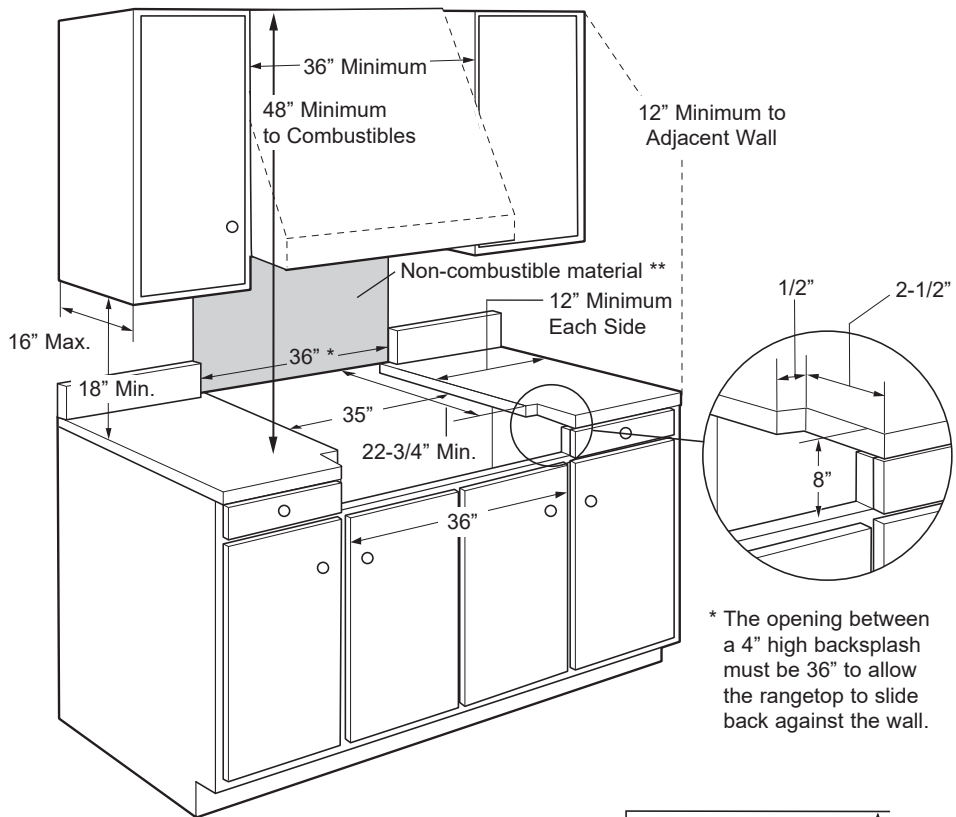
Installations without a hood require 48" minimum to combustibles. A custom hood installation with exposed horizontal combustible surfaces must have an Auto-On feature. Refer to hood installation instructions for specific hood clearances.

The surface of the entire back wall above the range and below the hood must be covered with a non-combustible material such as metal, ceramic tile, brick, marble or other stone.

⚠ CAUTION

To prevent drafts from affecting burner operation, seal all openings in floor under appliance and behind appliance wall.

** As defined in the National Fuel Gas Code (ANSI Z223.1/CSA B149.1, Current Edition). Clearances from non-combustible materials are not part of the ANSI Z21.1/CSA 1.1 scope and are not certified by CSA. Clearances less than 12" must be approved by local codes and/or the authority having jurisdiction.



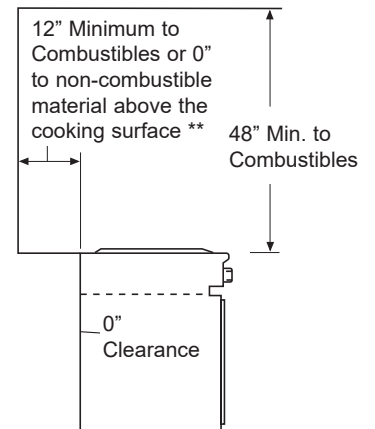
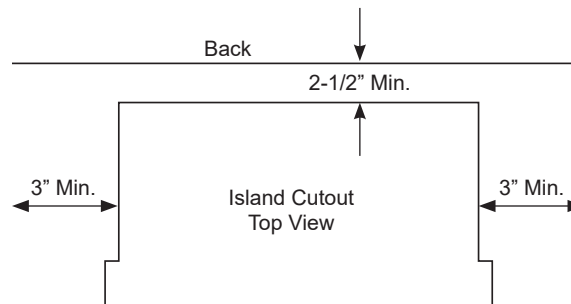
* The opening between a 4" high backsplash must be 36" to allow the rangetop to slide back against the wall.

ADDITIONAL CLEARANCES:

Allow 12" minimum clearance to an adjacent wall on each side.

Working areas adjacent to the rangetop should have 18" minimum clearance between countertop and the bottom of the wall cabinet.

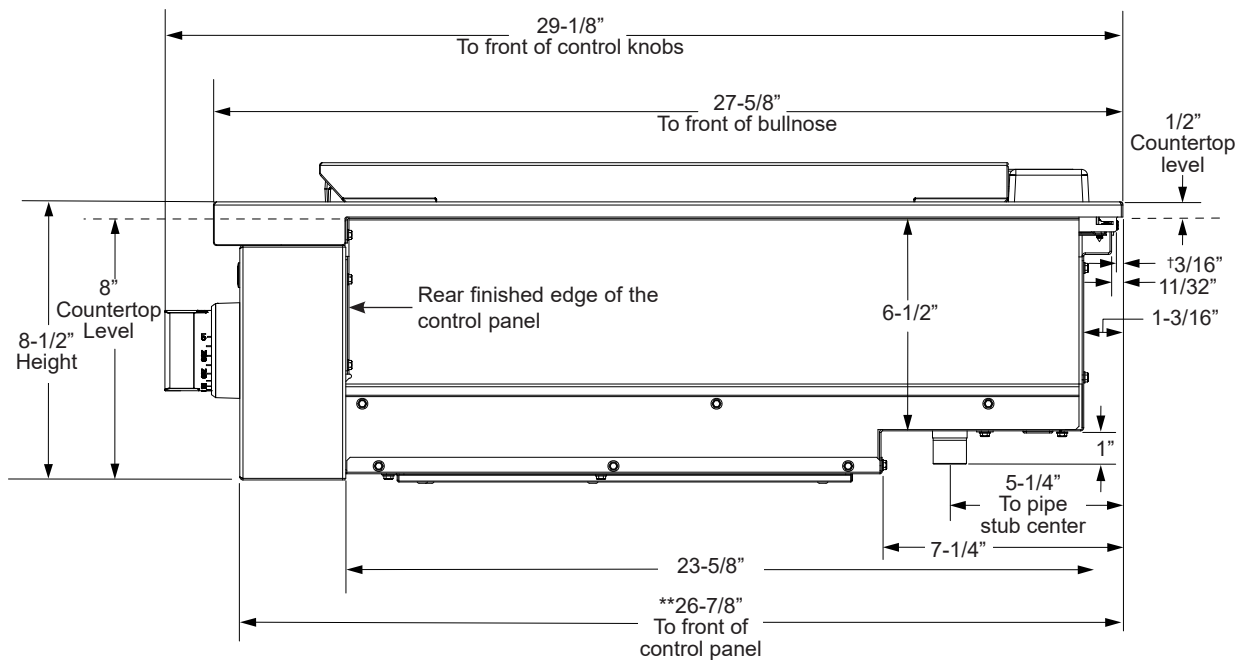
For island installation, maintain 2-1/2 in. minimum from cutout to back edge of countertop and 3 in. minimum from cutout to side edges of countertop (see top view).



Design Information

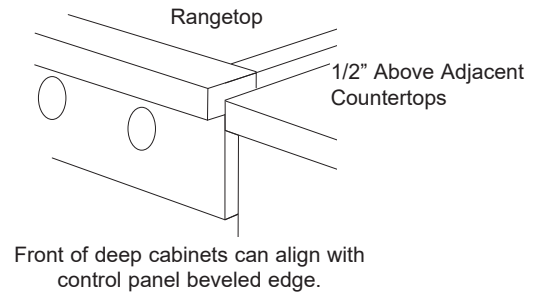
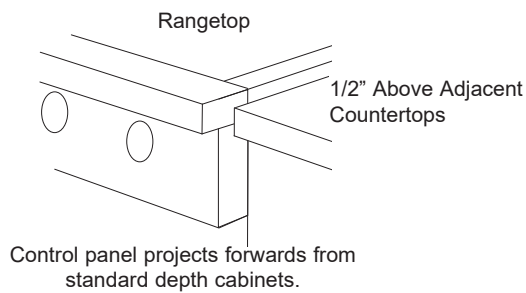
PRODUCT DIMENSIONS AND CLEARANCES

48" and 36" Rangetop Models



† Include the overhang of the rear trim when countertop continues behind the product. The overhang is decorative only. The weight of the rangetop is fully supported by the side trims.

** Maximum countertop cutout depth from the back of the rear trim to the back edge of chamfer at the sides of the control panel - typically, the maximum countertop cutout depth (front to back). Minimum countertop cutout depth is 25-1/4\".

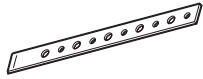


Installation Information

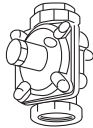
INSTALLATION AT HIGH ALTITUDE

Over 6000ft, product configured for natural gas or propane requires installation of kit (WB28X39726 for natural gas and WB28X39727 for propane gas). Follow the instructions included with the kit.

MATERIALS PROVIDED



Hold-Down Strap

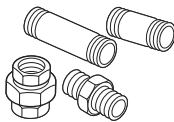


Regulator

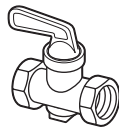
MATERIALS REQUIRED (not provided)



Pipe Thread Sealant



Pipe Fittings



Shut-Off Valve



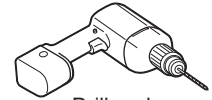
5-foot maximum length, 5/8" O.D. CSA-approved flexible metal gas supply

NOTE: Purchase new flexible line; do not use previously used flexible gas line.

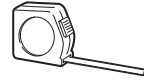
TOOLS REQUIRED



Saber Saw



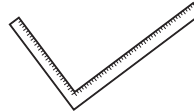
Drill and Appropriate Bits



Measuring Tape



Adjustable Wrench



Carpenter's Square



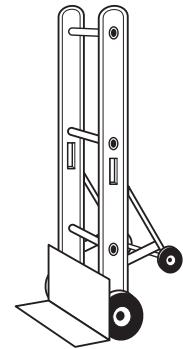
1/4" Driver or Wrench



Safety Glasses



Phillips #2 Screwdriver



Hand Truck



Level

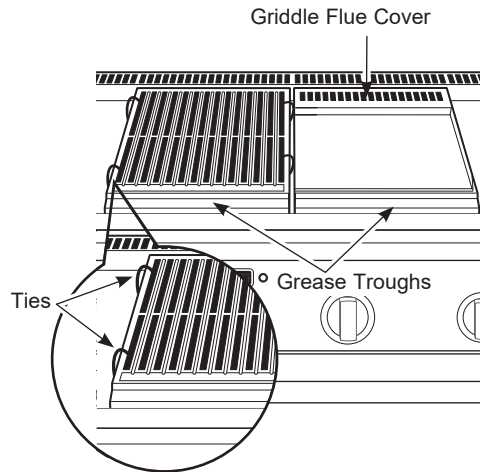
Installation

1 REMOVE PACKAGING

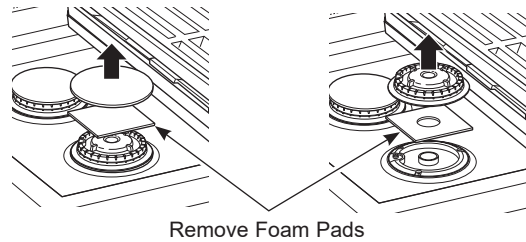
CAUTION Stand clear. The ends of the cut metal banding may snap toward you.

- Cut the metal banding.
- Remove packaging tape and foam. Dispose of packaging materials properly.
- Remove grill/griddle covers, grill grate and burner grates.
- Lift out cast-iron griddle flue cover, grease troughs and pads.

- Cut the ties holding the grill grate to the grill frame.

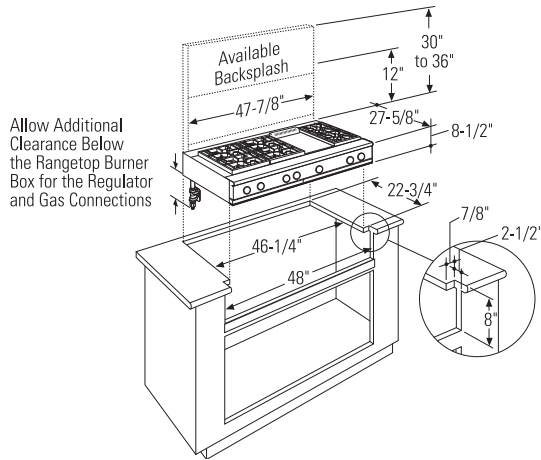


- Lift off burner caps and remove foam pad, then lift off burner heads and remove foam pad.

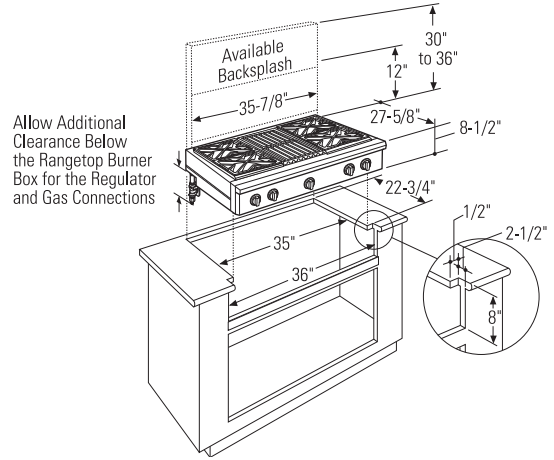


Installation

2 CUT THE COUNTERTOP OPENING



48" wide models are designed to fit in 48" or wider base cabinets



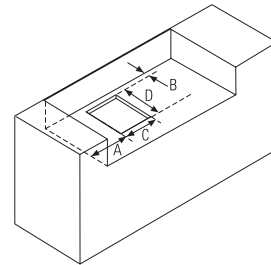
36" wide models are designed to fit in 36" or wider base cabinets

Measure carefully when cutting the countertop. Make sure sides of the opening are parallel.

- Allow 8" free space below the top surface of the countertop.
- Allow additional clearances below the burner box to install the regulator and make house supply connections. Use a 90° elbow to route the gas connections and limit interference with drawers or other cabinetry features.
- These rangetops are designed to hang from the countertop by their side flanges.
- Smooth any rough edges on the countertop before installing the rangetop.
 - Formica countertop edges must be finished.

The countertop must be strong enough to support the weight of the rangetop.

Cutout Opening with False Bottom



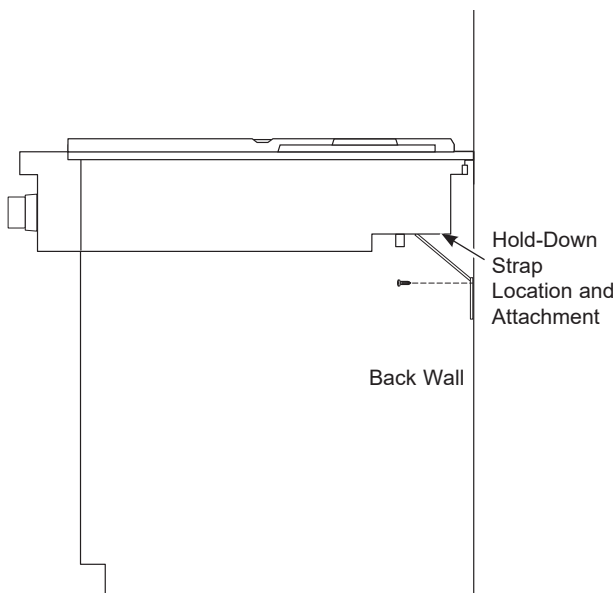
Dimensions				
	A (Dia.)	B	C	D
36" Rangetop	7-3/8"	1-1/2"	7-1/2"	11-1/8"
48" Rangetop	8-1/4"	1-1/2"	7-1/2"	11-1/8"

- You can construct the cutout with a false bottom to conceal the bottom of the rangetop.
 - Build the false bottom using a solid material; cut a 7-1/2" x 11-1/8" hole in the left rear corner for the gas inlet and power cord clearances.

Installation

3 INSTALL RANGETOP

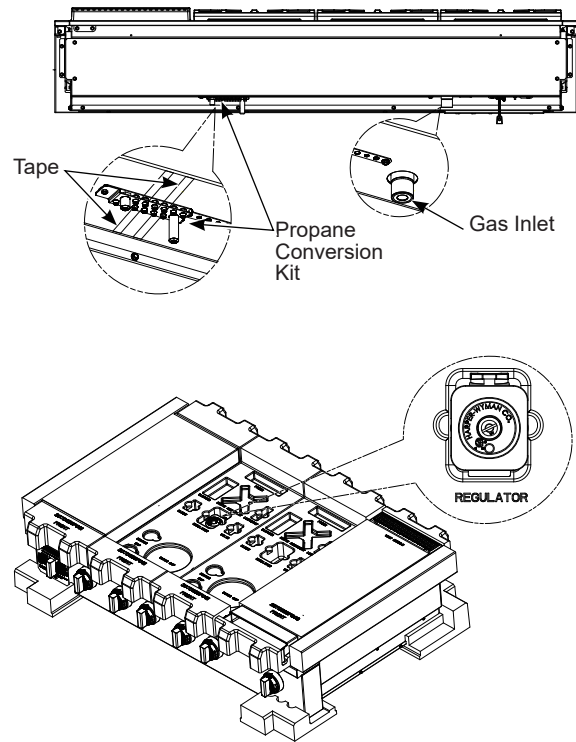
- Slide the rangetop into the opening. Make sure the rangetop is evenly seated and supported.
- A hold-down strap with screws is provided to secure the rangetop to the rear or side cabinet walls.
- Remove the hold-down strap from the back of the rangetop. Attach one end of the strap to the back of the rangetop.
- Secure the other end of the strap as high as possible to the cabinet back wall or adjacent cabinet. Keep the strap as short as possible for better security.



4 CONVERSION TO PROPANE (LP) OR NATURAL GAS

The pressure regulator and the burner orifices are set for natural gas at the factory. To operate the rangetop with propane (LP), the regulator and burner orifices must be converted. The conversion must be performed by a qualified propane (LP) gas installer.

Keep these instructions and all orifices in case you want to convert back to natural gas.



Installation

5 GAS SUPPLY

▲WARNING Fire Hazard: Do not use a flame to check for gas leaks.

▲WARNING Explosion Hazard: Do not exceed 25 ft-lbs of torque when making gas line connections. Overtightening may damage the pressure regulator resulting in fire or explosion hazard.

Gas Pressure Regulator

You must use the gas pressure regulator supplied with this rangetop. For proper operations the inlet pressure to the regulator should be as follows:

Natural Gas:

Minimum pressure: 6" of Water Column
Maximum pressure: 13" of Water Column

Propane (LP) Gas:

Minimum pressure: 11" of Water Column
Maximum pressure: 13" of Water Column

If you are not sure about the inlet pressure contact local gas supplier.

Shut off the main gas supply valve before disconnecting the old rangetop and leave it off until the new hook-up has been completed. Don't forget to relight the pilot on other gas appliances when you turn the gas back on.

Because hard piping restricts movement of the rangetop, the use of a CSA International-certified flexible metal appliance connector is recommended unless local codes require a hard-piped connection.

If the hard piping method is used, carefully align the pipe; the rangetop cannot be moved after the connection is made.

To prevent gas leaks, put pipe thread sealant on, or wrap pipe thread tape with Teflon* around all male (external) pipe threads.

- Install provided pressure regulator directly to the gas inlet pipe of the rangetop. Refer to the arrow on the back of the regulator for gas flow direction. Ensure the front of the regulator is facing towards the cabinet front, easily accessible through the cabinet doors.
- Install a manual shut-off valve in the gas line in a location easily accessible through the cabinet doors.
- When all connections have been made, ensure all gas controls are in the off position and turn on the main gas supply valve. Use a liquid leak detector at all joints and connections to check for leaks in the system.

*Teflon: Registered trademark of DuPont

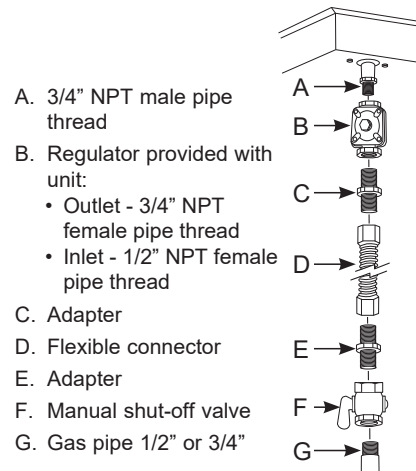
5 GAS SUPPLY (cont.)

When using pressures greater than 1/2 psig to pressure test the gas supply system of the residence, disconnect the rangetop and individual shut-off valve from the gas supply piping. When using pressures of 1/2 psig or less to pressure test the gas supply system, simply isolate the rangetop from the gas supply system by closing the individual shut-off valve.

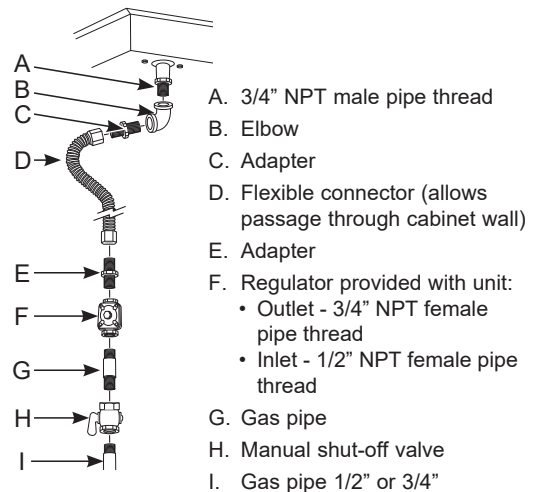
When checking for proper operation of the regulator, the inlet pressure must be at least 1" greater than the operating (manifold) pressure as given on rating label of product.

CONNECTOR HOOKUP

TYPICAL INSTALLATION WITH NO OBSTRUCTION BELOW RANGETOP



ALTERNATE INSTALLATION WITH OBSTRUCTION BELOW RANGETOP



Installation

6 ELECTRICAL CONNECTIONS

⚠ WARNING Shock Hazard: This appliance must be properly grounded. Failure to do so can result in electric shock.

Electrical Requirements - 120-volt, 60 Hertz, properly grounded dedicated circuit protected by a 15-amp or 20-amp circuit breaker or time delay fuse.

NOTE: Use of automatic, wireless, or wired external switches that shut off power to the appliance are not recommended for this product.

Grounding

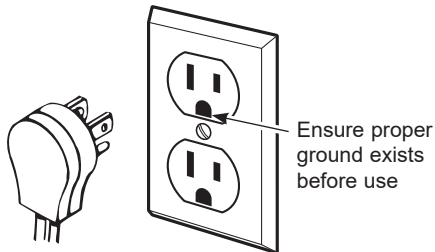
The power cord of this appliance is equipped with a three-prong (grounding) plug which plugs into a standard three-prong grounding wall receptacle to minimize the possibility of electric shock hazard from this appliance.

The customer should have the wall receptacle and circuit checked by a qualified electrician to make sure the receptacle is properly grounded.

Where a standard two-prong wall receptacle is encountered, it is the personal responsibility and obligation of the customer to have it replaced with a properly grounded three-prong wall receptacle.

DO NOT, UNDER ANY CIRCUMSTANCES, CUT OR REMOVE THE THIRD (GROUND) PRONG FROM THE POWER CORD. DO NOT USE AN ADAPTER. DO NOT USE AN EXTENSION CORD.

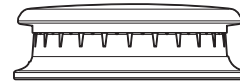
Ground Fault Circuit Interrupters (GFCI's) are not required or recommended for gas range receptacles. Performance of the range will not be affected if operated on a GFCI-protected circuit but occasional nuisance tripping of the GFCI breaker is possible.



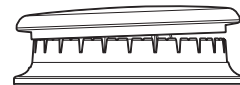
7 CHECK BURNERS

⚠ WARNING Fire or Explosion Hazard: Do not operate the burner without all burner parts in place.

- A. **Burners** - Place surface burners into corresponding positions on cooktop.
- B. **Caps** - Place caps on proper size burner.
- C. **Grates** - The left and right grates are interchangeable. Place the grates on the cooktop.



Burner Cap Properly Seated



Burner Cap Not Properly Seated

8 CHECK SURFACE BURNERS

Push and turn a knob to the LITE position. A clicking sound indicates proper operation of the ignition system. When lighting any burner, sparks will appear at all burners but gas flows from only the one selected. Once air is purged from the supply line, burner should light within 4 seconds. After burner lights, rotate the knob out of the LITE position. Try each burner in succession until all burners have been checked.

Quality of Flames

Determine the quality of flames visually. Normal burner flames should look like (A) or (B).



(A) Soft blue flames—
Normal for natural gas



(B) Yellow tips on
outer cones—
Normal for propane (LP) gas

Long, bright yellow flames are not normal. Normal flames may show signs of an orange tint when well heated or signs of flickering orange due to particles in the gas or air.

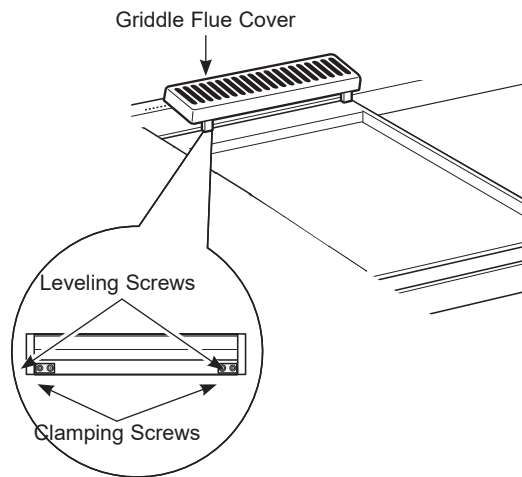
Installation

FINALIZE INSTALLATION

Place the burner grates over the burners. The grates should be seated and should not rock.

The griddle is secured with screws. It is designed to be stationary and should not be removed.

The griddle has two leveling screws beneath the rear flue cover that can be used to adjust to the desired slope.



The two inner screws are clamping screws for securing the griddle in place. Loosen these two screws before leveling. Do not remove these two screws.

The two outer screws are leveling screws. Do not remove these two screws. They can be turned to level the griddle or to provide a forward slope to help grease and oils drain away from the food being cooked.

After leveling the griddle, hand-tighten the clamping screws; do not over-tighten.

WHEN ALL HOOKUPS ARE COMPLETED

Make sure all controls are left in the off position. Make sure the flow of combustion and ventilation air to the range is unobstructed.

Check that all packing materials and tape have been removed. This will include tape on metal panel under control knobs (if applicable), adhesive tape, wire ties, cardboard, and protective plastic. Failure to remove these materials could result in damage to the appliance once the appliance has been turned on and surfaces have heated.

UX12BS36PSS, UX12BS48PSS Accessory Installation

OPTIONAL ACCESSORIES—12" HIGH BACKSPLASH

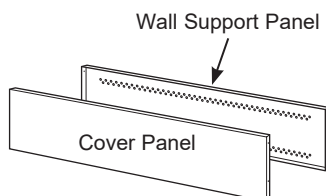
This kit provides for the installation of a 12" high backsplash for 36" Professional Ranges and Rangetops.

TOOLS AND MATERIALS REQUIRED

- Gloves to protect against sharp edges
- T-15 and #2 Phillips screwdrivers
- Drill with 3/32" and 9/64" bits
- Safety glasses
- Level
- Pencil

This Kit Includes

- Wall support panel
- Cover panel
- Hardware package with
 - 5 Stainless Steel Torx 15 #8 self-tapping screws
 - 5 Phillips #2 pan head wood #10 screws

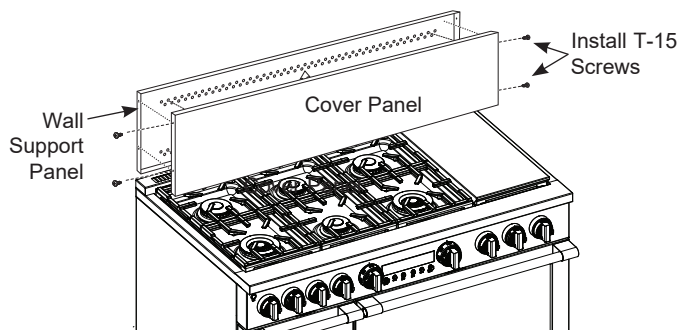
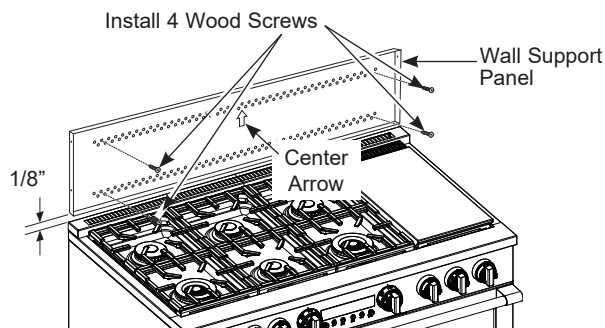


Hardware Package

INSTALL 12" BACKSPLASH

⚠ WARNING This backsplash must be securely fastened to the wall. Failure to do so could result in damage or personal injury.

- Install and level the range or rangetop and the range hood according to the installation instructions.
- Remove the backsplash packaging and protective film.
- Use a level to pencil a horizontal line on the wall, 1/8" above the range or rangetop. The 1/8" gap allows the cover panel to overlap the wall support panel.
- Locate wall studs on each side. Where studs are not available, plan to use wall anchors (not provided).
- Align the wall support panel on the marked horizontal line and centered left to right.
- The wall support panel must be secured to the wall at all 4 corners. Use wood screws (provided) or wall anchors (not provided) to secure the support panel to the wall.
- Place the cover panel over the wall support panel and secure with Torx screws (provided). Install 2 screws on each side.



UXADBS36PSS, UXADBS48PSS Accessory Installation

ACCESSORIES—30" TO 36" ADJUSTABLE BACKSPLASH (not included)

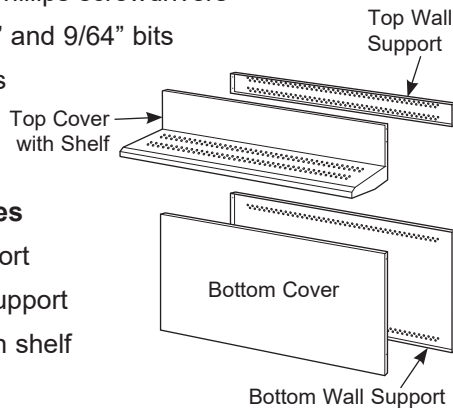
- This backsplash adjusts to fit the space between the top of the range and the bottom of the hood, from 30" Min. to 36" Max. height.
- Maximum shelf load-bearing weight is 40 lbs.

TOOLS AND MATERIALS REQUIRED

- Gloves to protect against sharp edges
- T-15 and #2 Phillips screwdrivers
- Drill with 3/32" and 9/64" bits
- Safety glasses
- Level
- Pencil

This Kit Includes

- Top wall support
- Bottom wall support
- Top cover with shelf
- Bottom cover
- Hardware package with
 - 9 Stainless Steel Torx 15 #8 self-tapping screws
 - 9 Phillips #2 pan head wood #10 screws
 - 3 Stainless Steel #2 truss head #10 screws (for alternate installation method)



Hardware Package

INSTALL THE WALL SUPPORT PANELS

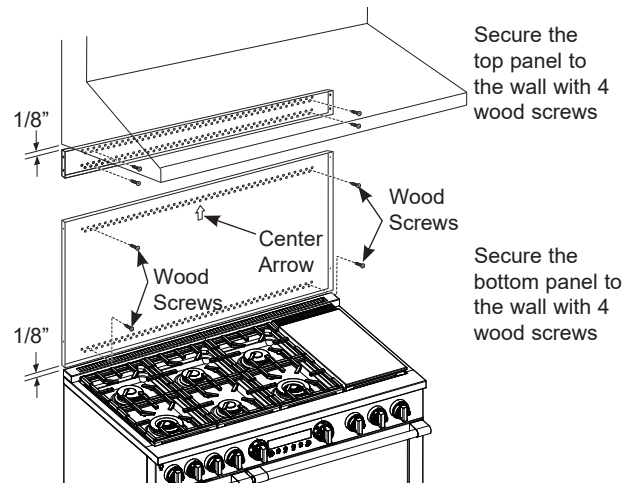
⚠ WARNING

The wall support panels must be securely fastened to the wall. Failure to do so could result in damage or personal injury.

IMPORTANT: This backsplash is designed to cover the wall between the bottom of the hood and the top of the range. The vent hood should be installed over the rangetop or range before installing this backsplash.

- Install and level the Range/Rangetop according to the product installation instructions.
- Remove backsplash packaging and protective film.
- Locate wall studs on each side. Where studs are not available, plan to use wall anchors (not provided).
- Use a level to pencil 2 horizontal lines on the wall, one 1/8" below the vent hood and the other 1/8" above the Range/Rangetop. This 1/8" space allows the cover panels to overlap the wall supports.
- Secure the top wall support panel to the wall with 4 wood screws, through the outermost studs.
- Use 4 wood screws to secure the bottom wall support panel. The center slot should be positioned at the top.

The gap between the top and bottom support panels will be covered by the top cover with shelf.



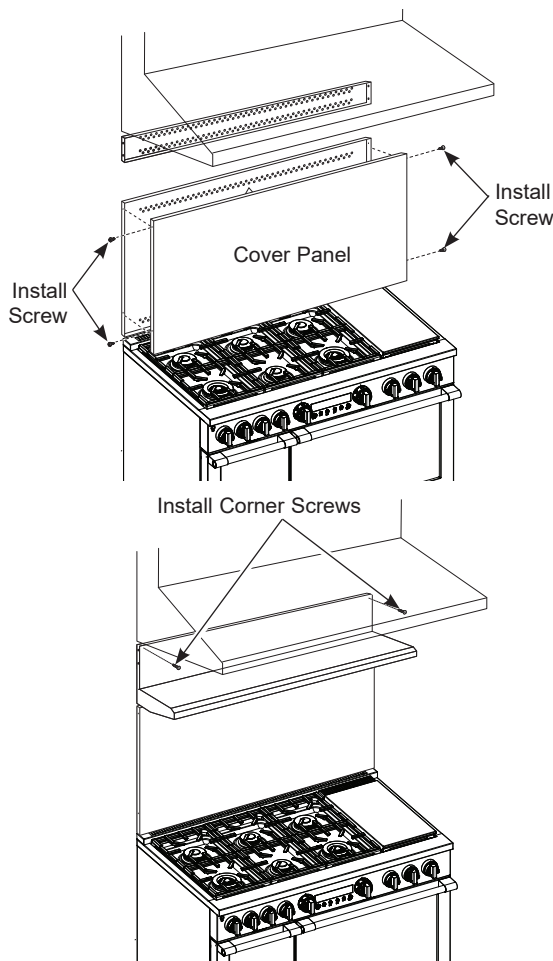
UXADBS36PSS, UXADBS48PSS Accessory Installation

ACCESSORIES—30" TO 36" ADJUSTABLE BACKSPLASH (not included) (Cont.)

INSTALL COVER PANELS

See alternate method if side access is blocked.

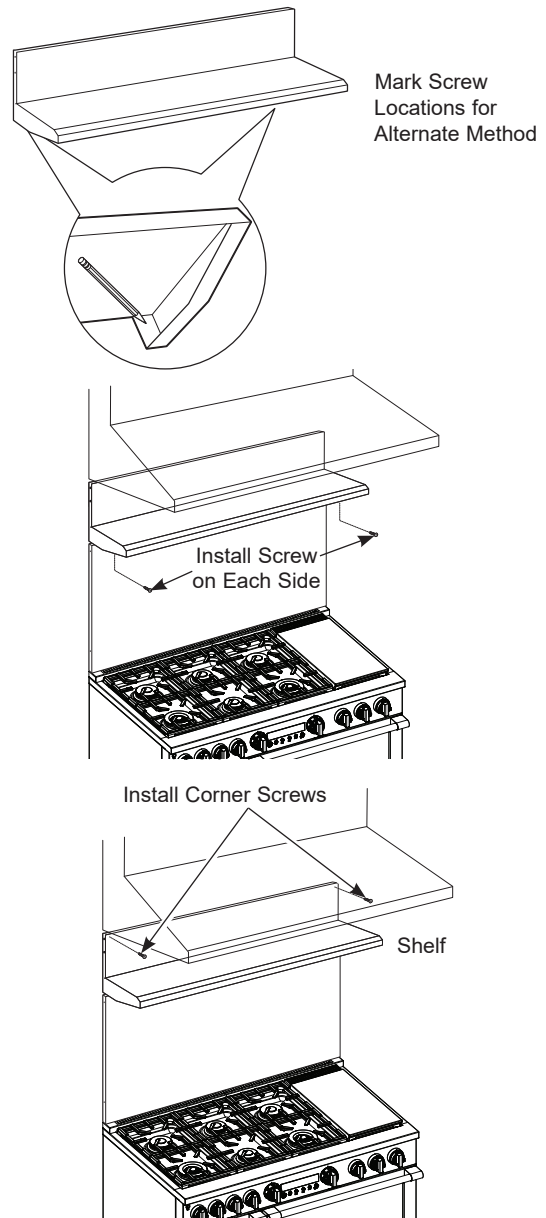
- Hold the bottom cover over the bottom support while driving one screw (provided) into each side.
- Place the top cover with shelf over the top wall support. If you have access to the sides, secure the panel with two screws on each side.
- Secure the top cover with shelf to the top support with screws through the front of the panel, at the top corners. Use one screw on each side.



INSTALL COVER PANELS (cont.)

ALTERNATE METHOD: When side access is blocked

- Install bottom cover over the bottom support while driving one screw into each side.
- Hold top cover in place while marking screw locations, just below shelf support and onto bottom cover.
- Remove the shelf and drill a 9/64" diameter hole in the pencil-marked locations.
- Mount the top cover over the top support and secure the front cover with screws through the drilled holes on each side.
- Install screws through each top corner.



Notes

Notes

NOTE: While performing installations described in this book, safety glasses or goggles should be worn.

NOTE: Product improvement is a continuing endeavor at GE Appliances. Therefore, materials, appearance and specifications are subject to change without notice.



INSTRUCTIONS D'INSTALLATION

**Table de cuisson professionnelle
de 36" (91 cm) et de 48" (121 cm)**

FRANÇAIS

MONOGRAM.COM

Consignes de Sécurité

Vous avez une question ou vous avez besoin d'aide pour votre appareil électroménager? Visitez le site Web Monogram 24 heures par jour, tous les jours de l'année! Vous pouvez aussi y trouver d'autres produits Monogram formidables et tirer avantage de tous nos services d'assistance en ligne. Aux États-Unis : monogram.com

DANS LE COMMONWEALTH DU MASSACHUSETTS

- Ce produit doit être installé par un plombier ou un monteur d'installations au gaz agréés.
- Si l'on utilise des robinets de sectionnement du gaz à rotule, ils doivent comporter une poignée en « T ».
- Un raccord de gaz flexible, le cas échéant, ne doit pas excéder 1,5 m (5 pi).

⚠ AVERTISSEMENT RISQUE D'INCENDIE OU D'EXPLOSION

Si les instructions contenues dans ce manuel ne sont pas observées rigoureusement, un incendie ou une explosion peuvent en résulter et causer des dommages à la propriété, des blessures corporelles ou la mort.

L'installation doit être effectuée par un installateur qualifié.

Lisez ces instructions au complet et attentivement.

L'installation de cette cuisinière doit se conformer aux codes locaux, ou en l'absence de codes locaux, conformément au National Fuel Gas Code, ANSI Z223.1/NFPA.54, dernière édition. Au Canada, l'installation doit se conformer au Code d'installation du gaz naturel actuel CAN/CGA-B149.1 ou au Code d'installation du propane (LP) CAN/CGA-B149.2, ainsi qu'à tous les codes locaux en vigueur. Cette cuisinière a été certifiée par CSA International selon la norme ANSI Z21.1, dernière édition, et par l'Association canadienne du gaz selon la norme CAN/CGA-1.1, dernière édition.

Lors de l'installation d'un appareil au gaz, l'utilisation de vieux raccords flexibles peut causer des fuites de gaz et des blessures. Utilisez toujours un raccord flexible NEUF.

La détection de fuites sur cet appareil doit être effectuée conformément aux instructions du fabricant.

La cuisinière doit être mise à la terre électriquement conformément aux codes locaux ou, en l'absence de codes locaux, conformément au National Electrical Code (ANSI/NFPA 70, dernière édition). Au Canada, la mise à la terre électrique doit se conformer à la norme CSA C22.1 de la Partie 1 du Code canadien de l'électricité actuel et/ou aux codes locaux. Consultez la rubrique Raccordements électriques dans cette section.

N'installez pas ce produit avec une hotte à rideau d'air ou d'autres hottes de cuisinière qui fonctionnent en soufflant de l'air vers le bas sur la table de cuisson. Ce flux d'air peut gêner le fonctionnement des brûleurs à gaz et poser un risque d'incendie ou d'explosion.

LISEZ ET CONSERVEZ CES INSTRUCTIONS

Consignes de Sécurité

AVANT DE COMMENCER

Lisez attentivement l'ensemble des consignes.

- **IMPORTANT** — Conservez ces instructions pour l'inspecteur local.
- **IMPORTANT** — Respectez toutes les normes ainsi que les recommandations préconisées par les autorités compétentes.
- **IMPORTANT** — Retirez tout le matériel d'emballage et la documentation dans le four avant de raccorder les alimentations en gaz et électrique à la cuisinière.
- **IMPORTANT** — Pour éviter d'endommager vos armoires, vérifiez auprès de votre entrepreneur ou votre fournisseur d'armoires si les matériaux utilisés résisteront à la décoloration, la délamination et à d'autres dommages. La conception de ce four est conforme aux exigences des organismes de certification UL et CSA International et satisfait la température maximale admissible de 90 °C (194 °F) pour armoires en bois.
- **Remarque à l'attention de l'installateur** — BAssurez-vous de laisser ces instructions au consommateur.
- **Note au consommateur** — Gardez ces instructions avec votre manuel d'utilisation pour référence ultérieure.
- **Technicien en réparation** — Le schéma électrique se trouve dans une enveloppe attachée à l'arrière de la cuisinière.
- L'exactitude de l'installation relève de la responsabilité de l'installateur.
- La garantie ne couvre pas un produit défectueux en raison d'une installation incorrecte.
- Pour les pièces et accessoires Monogram, visitez notre site sur monogram.com/ownership/parts/
- Si vous avez reçu une table de cuisson endommagée, vous devez contacter votre revendeur.

SI L'ARTICLE EST VENDU À L'EXTÉRIEUR DES É.-U. OU DU CANADA

⚠ AVERTISSEMENT Si vous souhaitez utiliser ce produit avec un gaz de pétrole liquéfié (LP) qui contient plus de 10 % de butane, vous devez vous procurer la trousse de conversion au propane ZXBUPR01. Pour commander, veuillez composer le 1.888.664.8403 ou le 1.787.276.4051. Le non-respect de cette consigne pourrait présenter un risque d'incendie ou d'intoxication au monoxyde de carbone.

DISPOSITIONS DE HOTTE D'EXTRACTION

Une hotte d'aspiration appropriée est nécessaire pour les modèles à barbecue et est recommandée pour tous les autres modèles.

Cet appareil produisant une importante quantité de chaleur, vous devez porter une attention toute particulière à l'installation de la hotte et de la conduite d'aération afin de vous assurer qu'elle répond aux normes de construction en vigueur dans votre région.

Il faut prévoir les dégagements ci-dessous par rapport aux surfaces horizontales qui se trouvent au-dessus de la cuisinière. Le non-respect de cette consigne pourrait présenter un risque d'incendie.

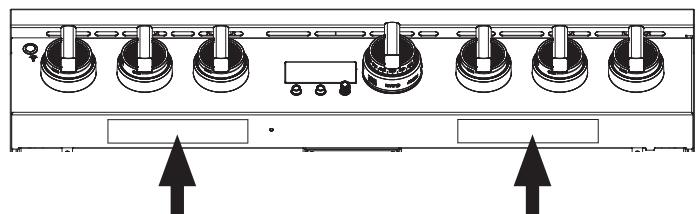
- Les installations sans hotte nécessitent une distance minimale de 48 po aux combustibles à l'exception du modèle ZDP484 qui nécessite une hotte à évacuation adéquate.
- Il est possible d'installer une hotte spéciale à proximité d'éléments horizontaux inflammables dans la mesure où celle-ci dispose d'une fonction de mise en marche automatique.
- Pour obtenir les spécifications relatives aux espaces d'autres installations pourvues d'une hotte, veuillez vous reporter aux instructions fournies avec celle-ci.

⚠ ATTENTION Ces tables de cuisson sont très lourdes.

Un certain démontage réduira considérablement le poids. Étant donné le poids et la taille de la table de cuisson et afin de réduire le risque de blessure ou de dommage au produit :

DEUX PERSONNES SONT REQUISES POUR PROCÉDER À L'INSTALLATION ADÉQUATE DES TABLES DE CUISSON.

TROIS PERSONNES SONT REQUISES POUR PROCÉDER À L'INSTALLATION ADÉQUATE DES TABLES DE CUISSON DE 48 PO.



Emplacement de l'étiquette signalétique

LISEZ ET CONSERVEZ CES INSTRUCTIONS

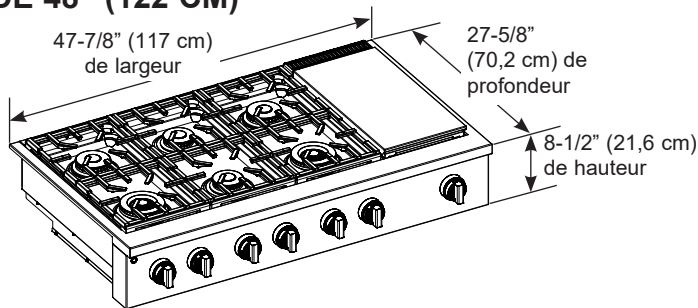
Table des Matières

TABLE DES MATIÈRES

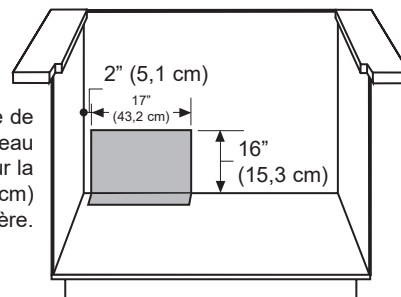
Consignes de sécurité	2	UX12BS36PSS, UX12BS48PSS Installation d'accessoires accessoires en option—dosseret de 30 cm (12") de hauteur	
Caractéristiques			
Dimensions du produit et espaces de séparation.....	5	Outils et matériel nécessaires.....	15
Consignes d'installation		Installez le dosseret 30 cm (12").....	15
Kit haute altitude wb28k10553.....	8	UXADBS36PSS, UXADBS48PSS Installation d'accessoires accessoires—dosseret ajustable 30"-36"	
Matériel fourni.....	8	Outils et matériel nécessaires.....	16
Matériel nécessaire (non fourni).....	8	Installez les panneaux de support mural.....	16
Outils nécessaires.....	8	Installez les panneaux de recouvrement.....	17
Installation			
Sortez l'appareil de son emballage.....	9		
Coupez l'ouverture du plan de travail.....	10		
Installez la table de cuisson.....	11		
Conversion au gaz propane (gpl) ou gaz naturel.....	11		
Alimentation en gaz.....	12		
Branchements électriques.....	13		
Vérifiez les brûleurs.....	13		
Vérification des brûleurs de surface.....	13		
Terminez l'installation.....	14		
Une fois tous les raccordements terminés.....	14		

Caractéristiques

DIMENSIONS DU PRODUIT ET ESPACES DE SÉPARATION POUR LES MODÈLES DE 48" (122 CM)



Emplacements de raccord universels



Placez l'arrivée de gaz sur le panneau arrière ou sur la base, à 2" (5 cm) du panneau arrière.

⚠ AVERTISSEMENT

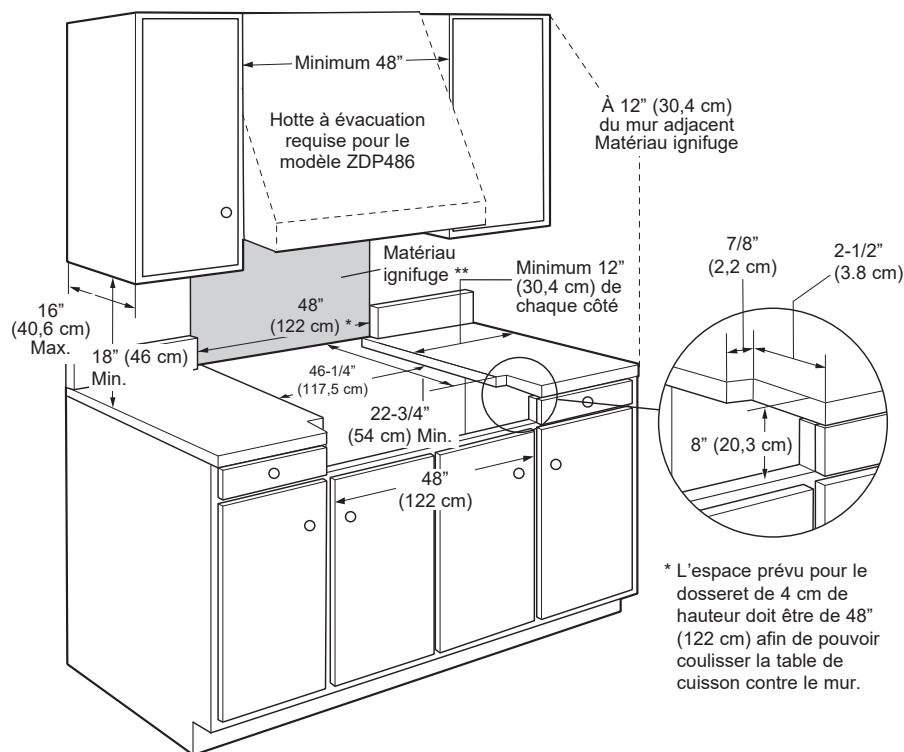
Une hotte à évacuation adéquate est requise pour le modèle ZDP4846. Il est possible d'installer une hotte spéciale à proximité d'éléments horizontaux inflammables dans la mesure où celle-ci dispose d'une fonction de mise en marche automatique. Pour obtenir les spécifications d'espace pour d'autres installations pourvues d'une hotte, veuillez vous reporter aux instructions fournies avec celle-ci.

La surface de la totalité du mur arrière au-dessus de la cuisinière et au-dessous de la hotte doit être recouverte d'un matériau incombustible tel que métal, carreau de céramique, brique, marbre ou autre pierre.

⚠ ATTENTION

Afin d'éviter que les courants d'air ne gênent le fonctionnement du brûleur, scellez toutes les ouvertures dans le plancher sous l'appareil et derrière la paroi de celui-ci.

** Selon la définition du National Fuel Gas Code (ANSI Z223.1/CSA B149.1, édition courante). Les dégagements à partir des matériaux incombustibles ne sont pas du ressort de la norme ANSI Z21.1/CSA 1.1 et ils ne sont pas certifiés par la CSA. Les dégagements inférieurs à 30,5 cm (12 po) doivent être approuvés d'après les codes locaux et/ou par les autorités compétentes.



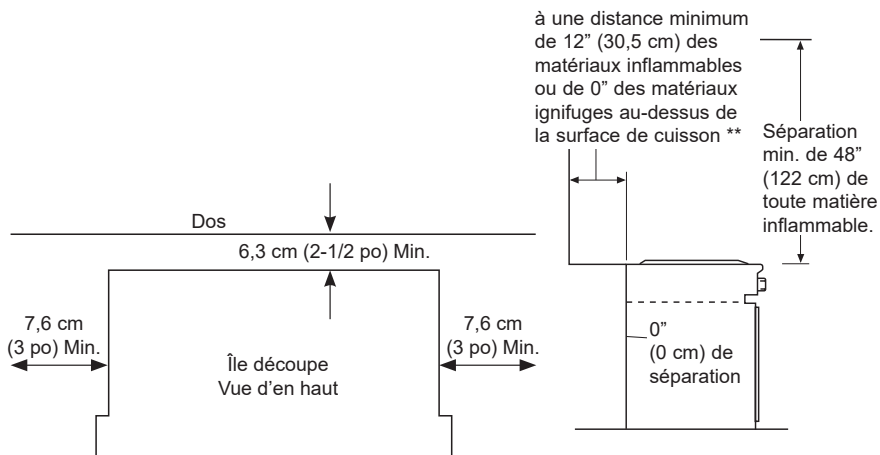
* L'espace prévu pour le dossier de 4 cm de hauteur doit être de 48" (122 cm) afin de pouvoir coulisser la table de cuisson contre le mur.

ESPACES SUPPLÉMENTAIRES :

Prévoyez un espace minimum de 30 cm (12") par rapport au mur adjacent sur chaque côté.

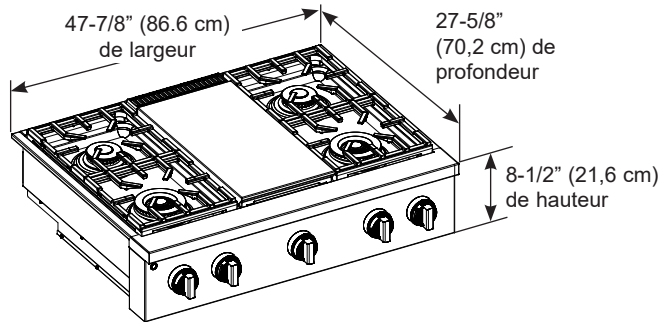
Les espaces de transit autour de la table de cuisson doivent être séparées par un espace d'au moins 45,7 cm (18") entre le plan de travail et le bas du placard mural.

Pour une installation en îlot, maintenir une distance minimum de 6,3 cm (2 1/2 po) entre le bord et le dos du comptoir et 7,6 cm (3 po) minimum sur les côtés du comptoir (voir vue de dessus).

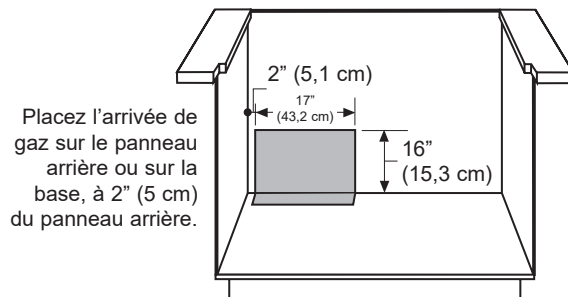


Caractéristiques

DIMENSIONS DU PRODUIT ET ESPACES DE SÉPARATION POUR LES MODÈLES DE 36" (91,4 CM)



Emplacements de raccord universels



⚠ AVERTISSEMENT

Pour les installations dépourvues de hotte, prévoyez au minimum un espace de 48" (122 cm) entre l'appareil et toute matière inflammable. Il est possible d'installer une hotte spéciale à proximité d'éléments horizontaux inflammables dans la mesure où celle-ci dispose d'une fonction de mise en marche automatique. Pour obtenir les spécifications d'espace pour d'autres installations pourvues d'une hotte, veuillez vous reporter aux instructions fournies avec celle-ci.

La surface de la totalité du mur arrière au-dessus de la cuisinière et au-dessous de la hotte doit être recouverte d'un matériau incombustible tel que métal, carreau de céramique, brique, marbre ou autre pierre.

⚠ ATTENTION

Afin d'éviter que les courants d'air ne gênent le fonctionnement du brûleur, scellez toutes les ouvertures dans le plancher sous l'appareil et derrière la paroi de celui-ci.

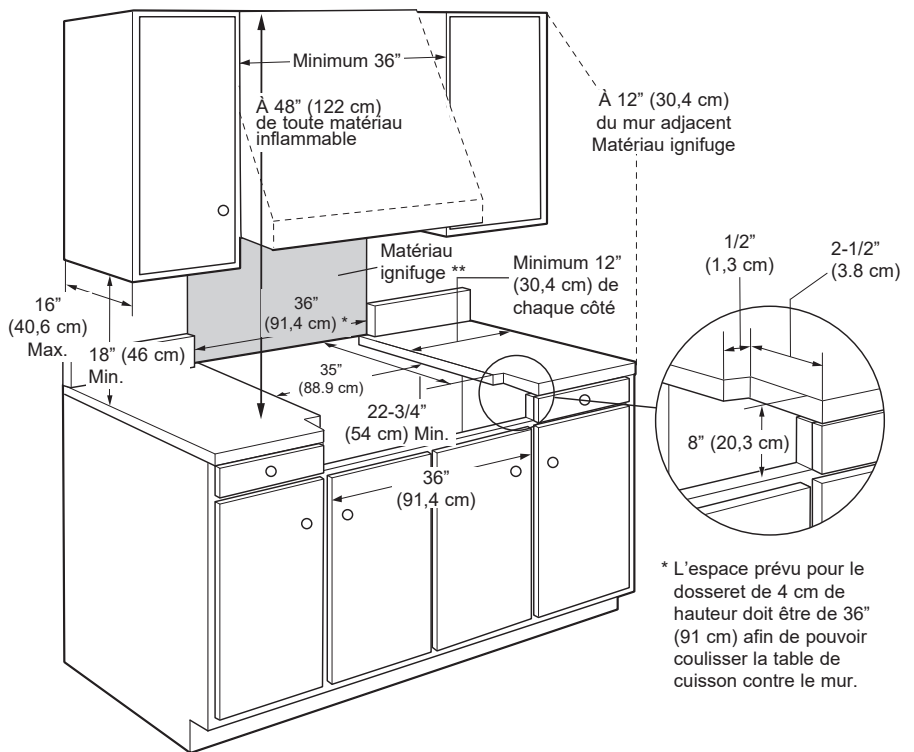
** Selon la définition du National Fuel Gas Code (ANSI Z223.1/CSA B149.1, édition courante). Les dégagements à partir des matériaux incombustibles ne sont pas du ressort de la norme ANSI Z21.1/CSA 1.1 et ils ne sont pas certifiés par la CSA. Les dégagements inférieurs à 30,5 cm (12 po) doivent être approuvés d'après les codes locaux et/ou par les autorités compétentes.

ESPACES SUPPLÉMENTAIRES :

Prévoyez un espace minimum de 30 cm (12") par rapport au mur adjacent sur chaque côté.

Les espaces de transit autour de la table de cuisson doivent être séparées par un espace d'au moins 45,7 cm (18") entre le plan de travail et le bas du placard mural.

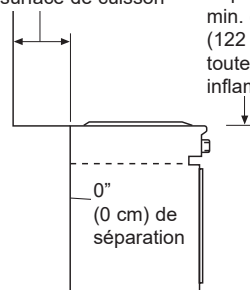
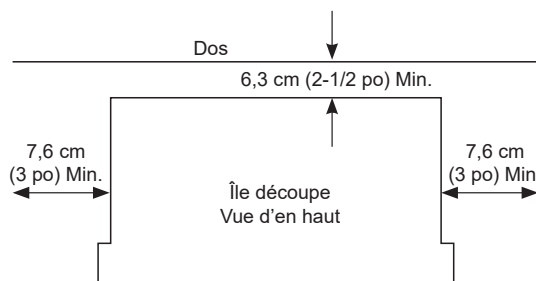
Pour une installation en îlot, maintenir une distance minimum de 6,3 cm (2 1/2 po) entre le bord et le dos du comptoir et 7,6 cm (3 po) minimum sur les côtés du comptoir (voir vue de dessus).



* L'espace prévu pour le dossier de 4 cm de hauteur doit être de 36" (91 cm) afin de pouvoir coulisser la table de cuisson contre le mur.

à une distance minimum de 12" (30,5 cm) des matériaux inflammables ou de 0" des matériaux ignifuges au-dessus de la surface de cuisson **

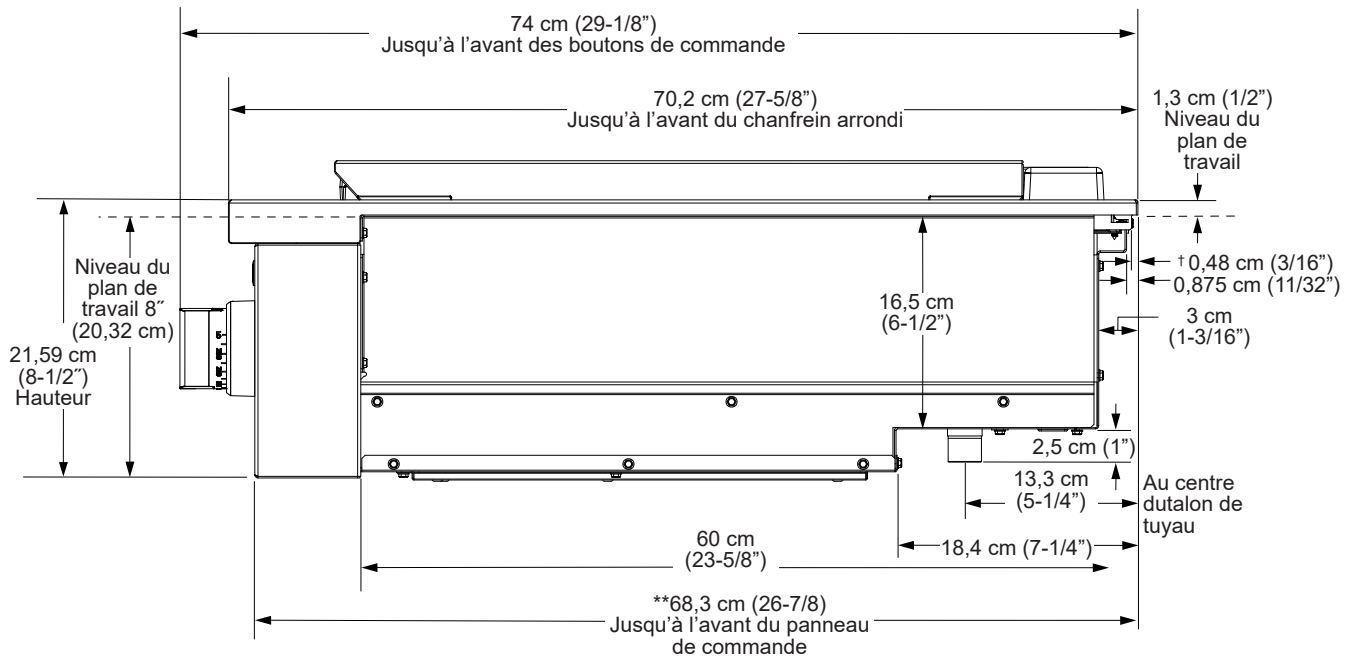
Séparation min. de 48" (122 cm) de toute matière inflammable.



Caractéristiques

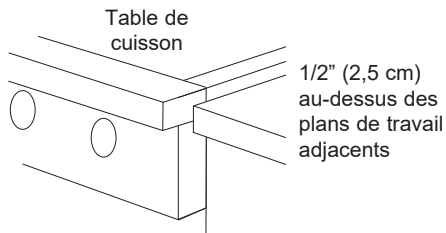
DIMENSIONS DE L'APPAREIL ET ESPACES

Modèles de table de cuisson de 48 et 36 po

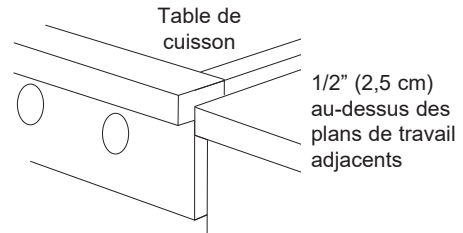


† Valeurs comprenant la partie suspendue de la tablette arrière lorsque le plan de travail se prolonge derrière l'appareil. Ajoutez le surplomb de la plaque décorative lorsque le plan de travail se prolonge sous l'appareil. Le surplomb ne fait office que de décoration. Le poids de la table de cuisson est entièrement supporté par les plaques latérales.

** Profondeur maximum de l'ouverture dans le plan de travail de l'arrière de la plaque de décoration arrière au bord arrière du chanfrein sur les côtés du panneau de commande, généralement, la profondeur maximum du plan de travail (de l'avant vers l'arrière).



Les projets de panneau de commande expédie des coffrets standard de profondeur.



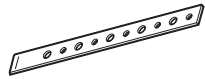
L'avant des coffrets profonds peut aligner avec le bord taillé de panneau de commande.

Consignes d'installation

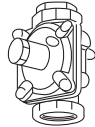
INSTALLATION EN HAUTE ALTITUDE

Au-delà de 6000 pi (1830 m), un produit configuré pour le gaz naturel ou le propane nécessite l'installation d'une trousse (WB28X39726 pour le gaz naturel et WB28X39727 pour le propane). Suivez les instructions incluses dans la trousse.

MATÉRIEL FOURNI



Bande de fixation

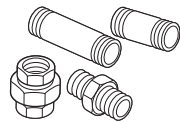


Régulateur

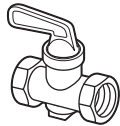
MATÉRIEL NÉCESSAIRE (non fourni)



Pâte d'étanchéité pour raccords filetés



Raccords de tuyau



Clapet de fermeture



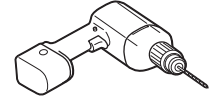
Tuyau métallique flexible d'alimentation de gaz agréé CSA de 1,58 cm de diamètre et d'une longueur maximale de 1,5 m (5 pieds)

REMARQUE : procurez-vous un tuyau flexible neuf, n'utilisez pas un tuyau ayant déjà été utilisé.

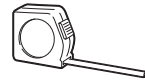
OUTILS NÉCESSAIRES



Scie sauteuse



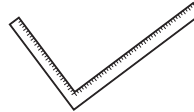
Perceuse et forets adaptés



Mètre



Clé anglaise



Équerre de maçon



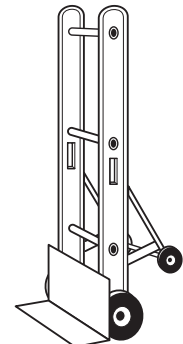
Tournevis ou clé à molette 1/4" (0.63 cm)



Lunettes protectrices



Tournevis cruciforme 2



Diable



Niveau

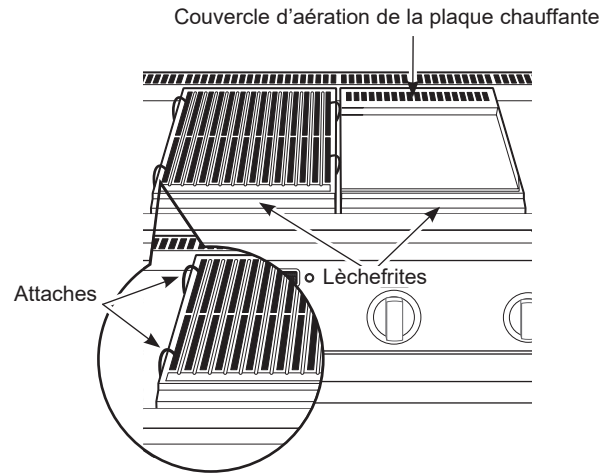
Installation

1 SORTEZ L'APPAREIL DE SON EMBALLAGE

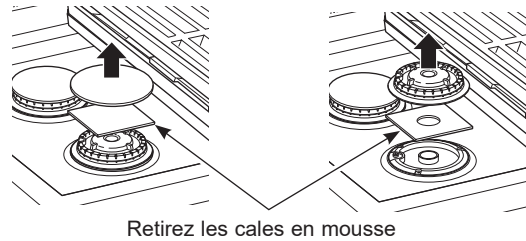
ATTENTION Maintenez-vous à l'écart. Les extrémités des bandes métalliques découpées peuvent vous blesser.

- Coupez la bande métallique.
- Retirez le ruban et la mousse. Mettez les matériaux d'emballage au rebut selon les normes locales.
- Retirez les couvercles du grill/plaque chauffante, les grilles du grill et du brûleur.
- Soulevez le couvercle de la plaque chauffante en fonte, les lèchefrites et les cales.

- Coupez les attaches qui maintiennent la grille sur le cadre du grill.

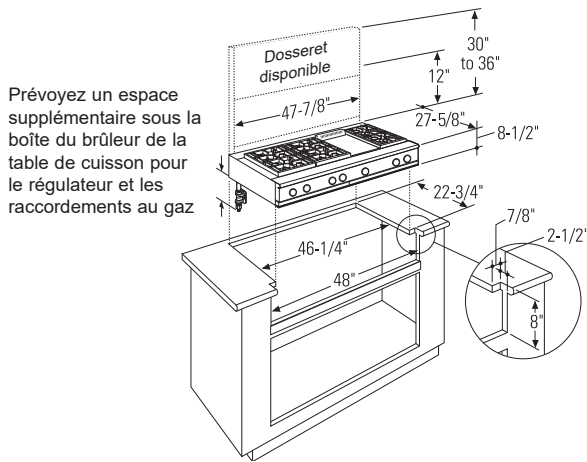


- Soulevez les chapeaux du brûleur et retirez la cale en mousse puis retirez les têtes du brûleur et retirez la cale en mousse.

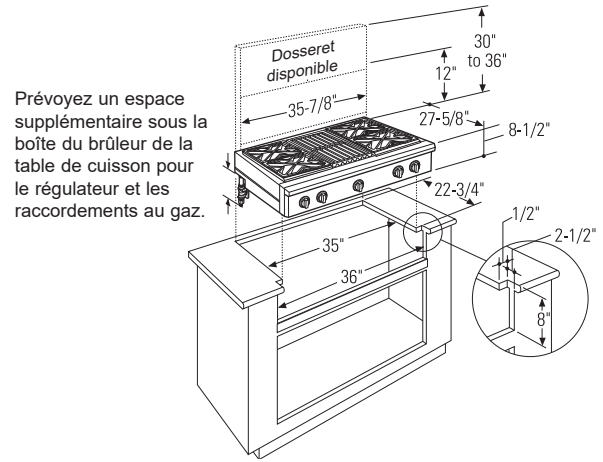


Installation

2 COUPEZ L'OUVERTURE DU PLAN DE TRAVAIL



Les modèles d'une largeur de 1,2 m (48") ont été conçus pour les encastrer dans des placards 1,2 m (48") ou plus



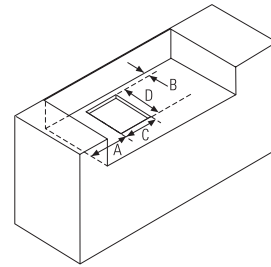
Les modèles d'une largeur de 91 cm (36") ont été conçus pour les encastrer dans des placards de 91 cm (36")

Prenez votre temps pour prendre vos mesures lorsque vous découpez le plan de travail. Veuillez à ce que les deux côtés de l'ouverture soient parallèles.

- Prévoyez un espace de 20,3 cm sous la surface supérieure du plan de travail.
- Prévoyez des espaces supplémentaires sous le boîtier du brûleur pour installer le régulateur et y ranger des conduits de gaz. Utilisez un coude 90° pour acheminer les conduits d'alimentation du gaz et limiter les interférences avec les tiroirs et les éléments du placard.
- Ces tables de cuisson ont été conçues pour être suspendues au-dessus du plan de travail par leurs brides latérales.
- Poncez toute bordure abrasive du plan de travail d'installer la table de cuisson.
 - Les bordures des plans de travail en Formica exigent une finition.

Le plan de travail doit être suffisamment solide pour supporter le poids de la table de cuisson.

Ouverture découpée à faux-fond



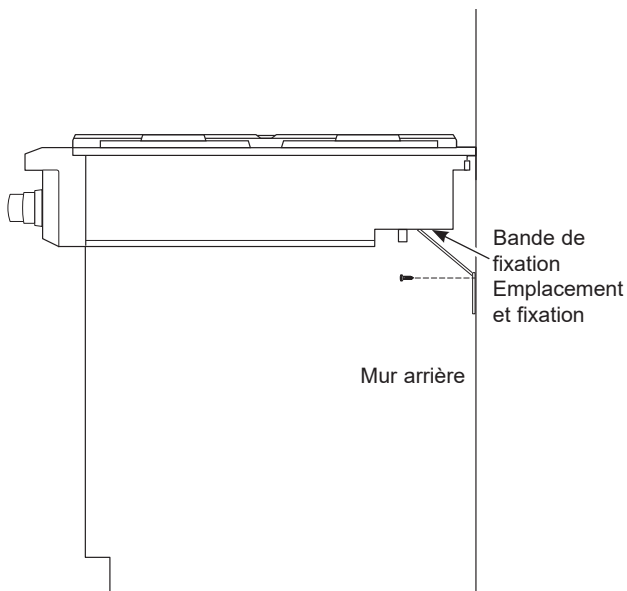
Dimensions				
	A (Dia.)	B	C	D
Cuisinière de 36 po	7-3/8" (18,7 cm)	1-1/2" (3,8 cm)	7-1/2" (3,8 cm)	11-1/8" (28,3 cm)
Cuisinière de 48 po	8-1/4" (21 cm)	1-1/2" (3,8 cm)	7-1/2" (3,8 cm)	11-1/8" (28,3 cm)

- Vous pouvez fabriquer la découpe avec un faux-fond pour cacher le bas du plan de travail.
 - Fabriquez le faux-fond avec un matériau solide, découpez un trou 7-1/2" x 11-1/8" de diamètre dans le coin arrière gauche pour les espaces de l'arrivée du gaz et du cordon d'alimentation.

Installation

3 INSTALLER LA TABLE DE CUISSON

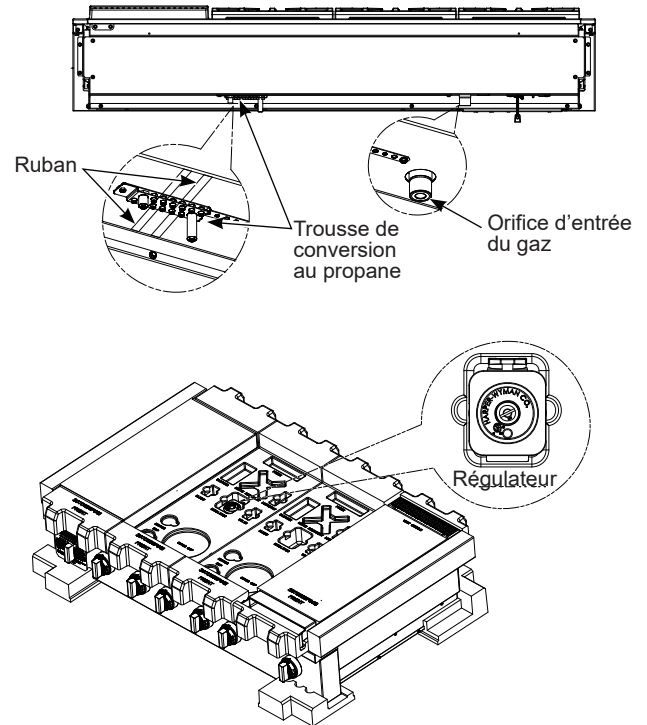
- Coulissez la table de cuisson dans l'ouverture. Assurez-vous que la table soit placée au milieu et correctement supportée.
- Une bande de fixation dotée de vis est fournie pour fixer la table de cuisson sur les parois arrière ou latérales du placard
- Retirez la bande de fixation de l'arrière de la table de cuisson. Fixez une extrémité de la bande au dos de la table de cuisson.
- Fixez l'autre extrémité de la bande le plus haut possible sur la paroi arrière du placard ou le placard situé à côté. Veillez à ce que la bande soit la plus courte possible pour des raisons de sécurité.



4 CONVERSION AU PROPANE (LP) OU AU GAZ NATUREL

Le régulateur de pression et les orifices du brûleur sont réglés pour l'utilisation du gaz naturel en usine. Pour faire fonctionner cette cuisinière au propane (LP), le régulateur et les orifices de brûleur doivent être convertis. Cette conversion doit être faite par un installateur pour propane (LP) qualifié.

Conservez ces instructions et tous les orifices dans l'éventualité d'un retour au gaz naturel.



Installation

5 ALIMENTATION EN GAZ

⚠ AVERTISSEMENT Risque d'incendie : N'utilisez pas une flamme pour détecter les fuites de gaz.

⚠ AVERTISSEMENT Risque d'explosion : Le couple de serrage des raccords à la conduite de gaz ne doit pas excéder 25 lb-pi. Un serrage trop élevé peut endommager le régulateur de pression et poser un risque d'incendie ou d'explosion.

Régulateur de pression du gaz

Vous devez utiliser le régulateur de pression fourni avec cette cuisinière. Pour un bon fonctionnement, la pression d'admission de gaz au régulateur doit présenter les valeurs suivantes :

Gaz naturel :

Pression minimale : 6 podes colonne d'eau

Pression maximale : 13 podes colonne d'eau

Propane (LP) :

Pression minimale : 11 podes colonne d'eau

Pression maximale : 13 podes colonne d'eau

Si vous doutez de connaître la pression d'admission de gaz, communiquez avec votre fournisseur de gaz local.

Fermez la soupape d'alimentation en gaz principale avant de débrancher la cuisinière en place et laissez-la fermer tant que le raccordement de la nouvelle cuisinière n'est pas fait. N'oubliez pas de rallumer la veilleuse du nouveau dispositif lors du rétablissement du gaz.

Parce que la tuyauterie rigide restreint la mise en place de la cuisinière, l'utilisation d'un raccord métallique flexible certifié par CSA International est recommandé sauf si les codes locaux exigent un raccordement par tuyauterie rigide.

Si vous utilisez la méthode de raccordement à une tuyauterie rigide, alignez soigneusement le tuyau parce que vous ne pourrez plus déplacer la cuisinière une fois le raccordement fait.

Pour éviter les fuites de gaz, appliquez un scellant pour filets de tuyau ou enveloppez les filets avec un ruban de Téflon* sur les filets du tuyau mâle (à l'extérieur).

- Installez le régulateur de pression fourni directement sur l'entrée du tuyau de gaz de la cuisinière. Respectez la flèche indiquant le sens du débit de gaz à l'arrière du régulateur. Assurez-vous que le devant du régulateur soit dirigé vers le devant de l'armoire et facilement accessible par les portes de l'armoire.
- Installez le robinet de sectionnement manuel à la conduite de gaz et à un endroit facilement accessible par les portes de l'armoire.
- Lorsque tous les raccords sont terminés, assurez-vous que les commandes de gaz sont en position fermée sur la soupape d'alimentation de gaz principale. Utilisez un détecteur de fuite liquide sur tous les joints et raccords pour détecter toutes fuites possibles.

*Teflon : Marque déposée de DuPont.

5 ALIMENTATION EN GAZ (suite)

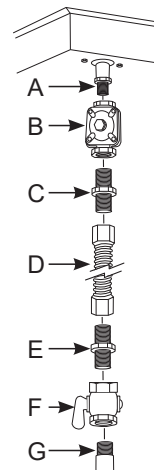
Lorsqu'une pression supérieure à ½ psi de l'essai en pression du système d'alimentation en gaz du domicile est nécessaire, débranchez la cuisinière et le robinet de sectionnement individuel de la tuyauterie d'alimentation de gaz. Lorsqu'une pression de ½ psi ou moins de l'essai en pression du système d'alimentation en gaz est nécessaire, isolez simplement la cuisinière du système d'alimentation en gaz en fermant le robinet de sectionnement individuel.

Lors de la vérification du bon fonctionnement du régulateur, la pression d'admission doit être supérieure d'au moins 1 po par rapport à la pression de service (collecteur) indiquée sur l'étiquette signalétique du produit.

INSTALLATION DU CONNECTEUR

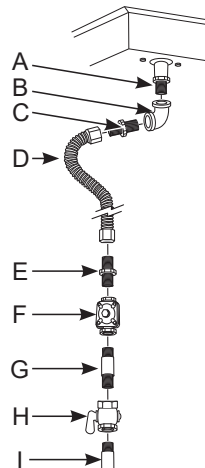
INSTALLATION TYPIQUE SANS OBSTRUCTION SOUS LA CUISINIÈRE

- Tuyau à filetage mâle de 1,9 cm (¾ po) NPT
- Régulateur fourni avec la cuisinière :
 - Sortie - tuyau à filetage femelle de 1,9 cm (¾ po) femelle NPT
 - Entrée - tuyau à filetage femelle de 1,3 cm (½ po) NPT
- Adaptateur
- Connecteur flexible
- Adaptateur
- Robinet de sectionnement manuel
- Tuyau de gaz de 1,3 ou 1,9 cm (½ ou ¾ po)



INSTALLATION ALTERNATIVE SI OBSTRUCTION SOUS LA CUISINIÈRE

- Tuyau à filetage mâle de 1,9 cm (¾ po) NPT
- Coude
- Adaptateur
- Connecteur flexible (permet le passage dans la paroi de l'armoire)
- Adaptateur
- Régulateur fourni avec la cuisinière :
 - Sortie - tuyau à filetage femelle de 1,9 cm (¾ po) femelle NPT
 - Entrée - tuyau à filetage femelle de 1,3 cm (½ po) NPT
- Tuyau de gaz
- Robinet de sectionnement manuel
- Tuyau de gaz de 1,3 ou 1,9 cm (½ ou ¾ po)



Installation

6 BRANCHEMENTS ÉLECTRIQUES

⚠ AVERTISSEMENT Risque de décharge électrique :
Cet appareil doit être mis à la terre correctement.
L'omission de procéder ainsi peut occasionner une décharge électrique.

Exigences électriques - 120-volts, 60 hertz, circuit dédié correctement mis à la terre par un disjoncteur de 15 ou 20 ampères ou un fusible temporisé.

REMARQUE : Pour ce produit, il est recommandé d'utiliser des interrupteurs extérieurs câblés, sans fil ou automatiques qui coupent le courant à l'appareil.

Mise à la terre

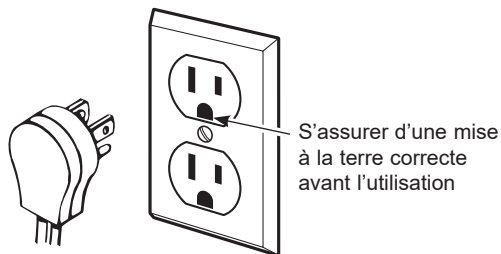
Le cordon électrique de cet appareil est muni d'une fiche à trois broches (avec terre) qui s'insère dans une prise murale à trois fentes standard afin de minimiser le risque de décharge électrique de cet appareil.

Le client devrait faire inspecter la prise murale et le circuit par un électricien agréé pour s'assurer que la prise est correctement mise à la terre.

Si la prise murale disponible est à deux fentes seulement, le client a la responsabilité et l'obligation de la remplacer par une prise murale à trois broches correctement mise à la terre.

EN AUCUNE CIRCONSTANCE VOUS NE DEVEZ COUPER OU ENLEVER LA TROISIÈME BROCHE (TERRE) DE LA FICHE DU CORDON ÉLECTRIQUE. N'UTILISEZ PAS UN ADAPTATEUR. N'UTILISEZ PAS UN CORDON DE RALLONGE.

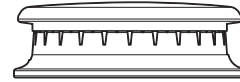
Les disjoncteurs différentiels de fuite à la terre (DDFT) ne sont pas requis ni recommandés pour les prises électriques de cuisinières au gaz. Un circuit protégé par un disjoncteur DDFT ne nuira pas au rendement de la cuisinière mais un déclenchement occasionnel de ce disjoncteur est possible.



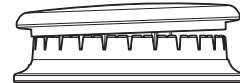
7 VÉRIFIEZ LES BRÛLEURS

⚠ AVERTISSEMENT Risque d'incendie ou d'explosion :
Ne faites pas fonctionner le brûleur sans que toutes ses pièces ne soient en place.

- A. **Brûleur** - Placez les brûleurs de surface dans les positions correspondantes sur la table de cuisson.
- B. **Chapeaux** - Placez les chapeaux sur les brûleurs de taille appropriée.
- C. **Grilles** - Les grilles gauche et droite sont interchangeables. Placez les grilles sur la table de cuisson.



Chapeau de brûleur incorrectement installé



Chapeau de brûleur correctement installé

8 VÉRIFICATION DES BRÛLEURS DE SURFACE

Poussez et tournez un bouton jusqu'à la position LITE. Un clic indique le bon fonctionnement du système d'allumage. Lors de l'allumage d'un brûleur, des étincelles apparaîtront dans tous les brûleurs mais le gaz alimentera uniquement celui qui est sélectionné. Une fois l'air purgée de la conduite d'alimentation, le brûleur devrait s'allumer sous 4 secondes. Une fois le brûleur allumé, tournez le bouton à l'écart de la position LITE. Essayez chaque brûleur successivement jusqu'à ce que tous les brûleurs soient vérifiés.

Qualité des flammes

Déterminez la qualité des flammes visuellement. Des flammes de brûleur normales devraient ressembler à (A) ou (B).



(A) **Flammes d'un bleu doux** —
Normal pour le gaz naturel



(B) **Extrémités jaunes sur les cônes extérieurs** —
Normal pour le propane (LP)

Des flammes longues d'un jaune vif ne sont pas normales. Des flammes normales peuvent présenter une touche d'orange lorsque bien chauffées ou des signes de vacillement orange causé par des particules dans le gaz ou l'air.

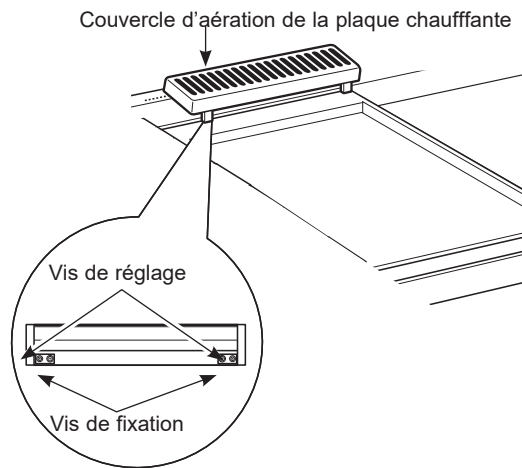
Installation

TERMINEZ L'INSTALLATION

Placez les grilles des brûleurs sur les brûleurs. Les grilles doivent être posées et ne devraient pas bouger.

La plaque chauffante est fixée à l'aide de vis. Elle a été conçue pour être statique et elle ne doit pas être retirée.

La plaque chauffante est dotée de deux vis de réglage sous le couvercle d'aération arrière que vous pouvez utiliser pour ajuster l'inclinaison de votre choix.



Les deux vis intérieures sont des vis de fixation qui maintiennent la plaque en place. Desserrez les deux vis avant de régler. Ne retirez pas ces deux vis.

Les deux vis externes sont des vis de réglage. Ne retirez pas ces deux vis. Elles peuvent être vissées pour régler le niveau de la plaque chauffante ou pour créer une inclinaison vers l'avant permettant d'évacuer la graisse et l'huile des aliments cuisinés.

Après avoir réglé le niveau de la plaque chauffante, serrez les deux vis de fixation à la main, en prenant soin de ne pas trop serrer.

UNE FOIS TOUS LES RACCORDEMENTS TERMINÉS

Assurez-vous que toutes les commandes sont dans la position d'arrêt (OFF). Assurez-vous que la circulation de l'air de combustion et de ventilation de la cuisinière n'est pas obstruée.

Vérifiez que tout le matériel et le ruban d'emballage a été retiré. Cela inclut le ruban sur le panneau métallique en dessous des boutons de commande (s'il y a lieu), le ruban adhésif, les attaches de câble, le carton et le plastique de protection. L'omission de retirer ce matériel posera un risque d'endommagement lorsque les surfaces de cet électroménager deviendront chaudes suite à sa mise en service.

UX12BS36PSS, UX12BS48PSS Installation d'accessoires

ACCESSOIRES EN OPTION—DOSSERET DE 30 CM (12") DE HAUTEUR

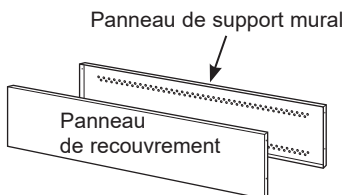
Ce kit permet l'installation d'un dossier de 12 po de hauteur pour les cuisinières et dessus de cuisinières professionnels de 36 po.

OUTILS ET MATÉRIEL NÉCESSAIRES

- Gants pour vous protéger des parties tranchantes
- Tournevis cruciforme 2 et T-15
- Percez avec des forets 23 mm (3/32") et 35 mm (9/64")
- Lunettes protectrices
- Niveau
- Crayon

Ce Kit comprend

- Panneau de support mural
- Panneau recouvrant
- Sachet de matériel contenant
 - 5 vis en acier inoxydable Torx 15 #8 auto-taraudeuses
 - 5 vis à bois à tête cylindrique #10 Phillips #2

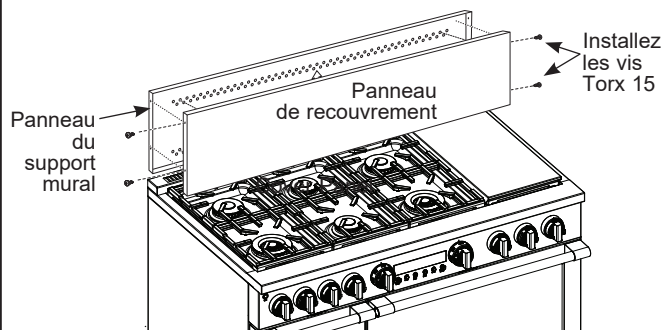
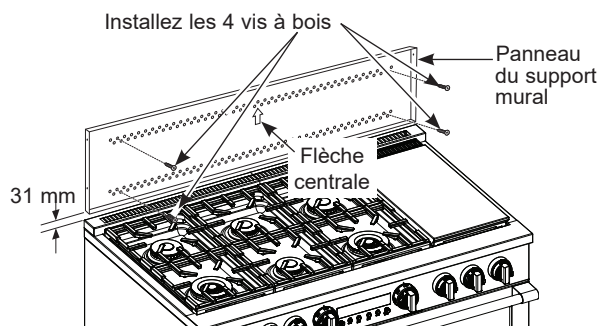


INSTALLEZ LE DOSSERET 30 CM (12")

⚠ AVERTISSEMENT

Ce dossier doit être correctement fixé au mur afin d'éviter toute blessure ou dommage matériel.

- Installez et ajustez la position de la cuisinière ou de la table de cuisson et de la hotte de la cuisinière, conformément aux consignes d'installation.
- Sortez le dossier de son emballage et le film protecteur.
- Utilisez un niveau pour dessiner au crayon une ligne horizontale sur le mur, 1/8" au-dessus de la cuisinière ou de la table de cuisson. L'espace de 1/8" fait que le panneau recouvrant se superpose au panneau de support mural.
- Localisez les poteaux muraux sur chaque côté. En l'absence de poteaux, utilisez plutôt des chevilles murales (non fournies).
- Alignez le panneau de support mural sur la ligne horizontale dessinée et centrée de gauche à droite.
- Le panneau de support mural doit être fixé au mur aux 4 coins. Utilisez des vis à bois (fournies) ou des chevilles murales (non fournies) pour fixer le panneau de support au mur.
- Placez le panneau de recouvrement sur le panneau du support mural et fixez à l'aide de vis Torx (fournies). Installez 2 vis de chaque côté.



UXADBS36PSS, UXADBS48PSS Installation d'accessoires

ACCESSOIRES—DOSSERET AJUSTABLE 30"-36" (non fourni)

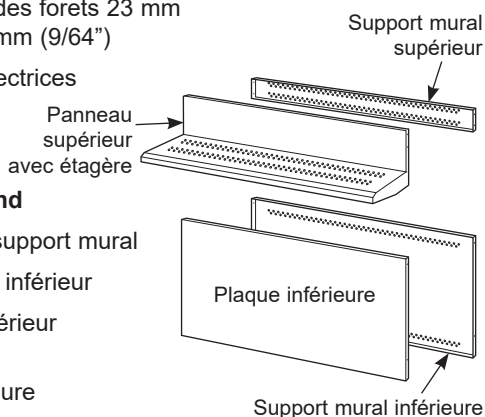
- Ce dossier est conçu combler l'espace entre le haut de la cuisinière et le bas de la hotte, entre une hauteur maximale de 76 cm et 91 cm.
- Le poids maximal de portance de l'étagère est de 18 kg.

OUTILS ET MATÉRIEL NÉCESSAIRES

- Gants pour vous protéger des parties tranchantes
- Tournevis cruciforme 2 et T-15
- Percez avec des forets 23 mm (3/32") et 35 mm (9/64")
- Lunettes protectrices
- Niveau
- Crayon

Ce Kit comprend

- Panneau de support mural
- Panneau mur inférieur
- Panneau supérieur avec étagère
- Plaque inférieure
- Sachet de matériel contenant
 - 9 vis autotaraudeuses à 6 lobes internes en acier inoxydable 15, no 8
 - 9 vis à tête cylindrique bombée no 2 pour bois no 10
 - 3 vis à tête bombée no 2 en acier inoxydable no 10 (pour une méthode d'installation alternative)



INSTALLEZ LES PANNEAUX DE SUPPORT MURAL

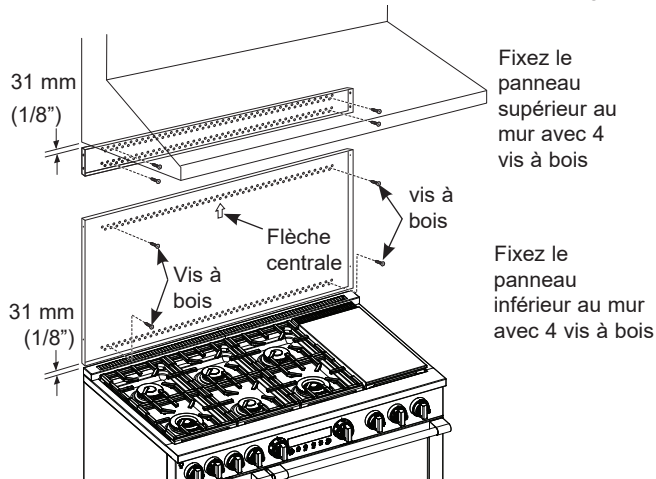
⚠ AVERTISSEMENT

Les panneaux de support mural doivent être correctement fixés au mur afin d'éviter toute blessure ou dommage matériel.

IMPORTANT : Ce dossier est conçu pour couvrir le mur entre la partie supérieure de la cuisinière et la partie inférieure de la hotte. La hotte d'extraction doit être installée sur la table de cuisson ou de la cuisinière avant d'installer le dossier.

- Installez et ajustez la position de la table de cuisson/cuisinière conformément aux consignes d'installation.
- Retirez l'emballage du dossier et le film protecteur.
- Localisez les poteaux muraux sur chaque côté. En l'absence de poteaux, utilisez plutôt des chevilles murales (non fournies).
- Utilisez un niveau pour tracer au crayon 2 lignes horizontales sur le mur, une à 1/8" sous la hotte d'extraction et l'autre à 1/8" au-dessus de la table de cuisson/cuisinière. Cet espace de 1/8" fait que le panneau de recouvrement se superpose aux supports muraux.
- Fixez le panneau mural supérieur au mur à l'aide de 4 vis à bois, à travers les poteaux externes.
- Utilisez 4 vis à bois pour fixer support mural inférieur. La rainure centrale doit être placée en haut.

L'espace séparant le panneau de support du bas de celui du haut sera comblé par la plaque supérieure avec étagère.



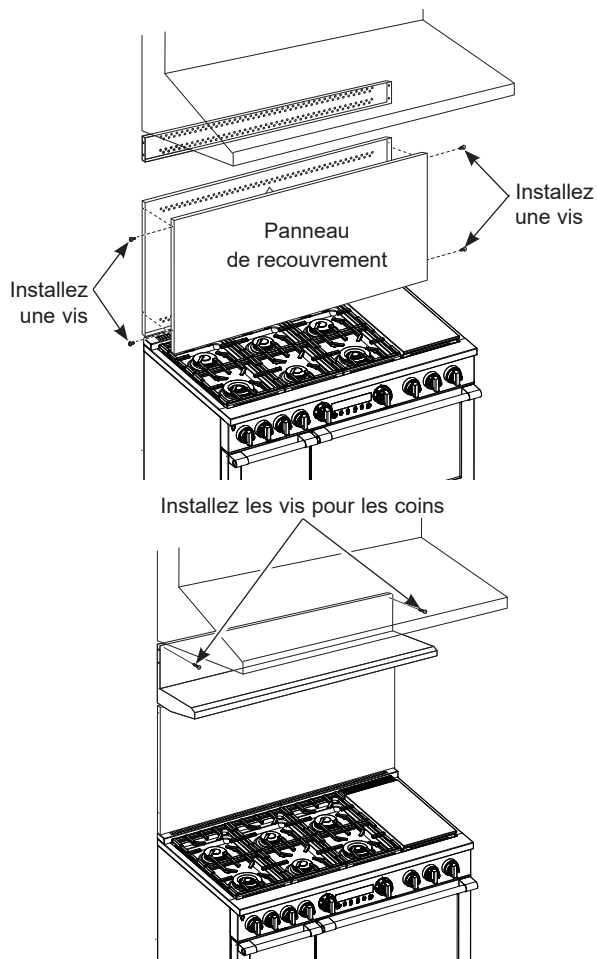
UXADBS36PSS, UXADBS48PSS Installation d'accessoires

ACCESSOIRES—DOSSERET AJUSTABLE 30"-36" (non fourni) (suite)

INSTALLEZ LES PANNEAUX DE RECOUVREMENT

Optez pour la méthode alternative si l'accès latéral est bloqué.

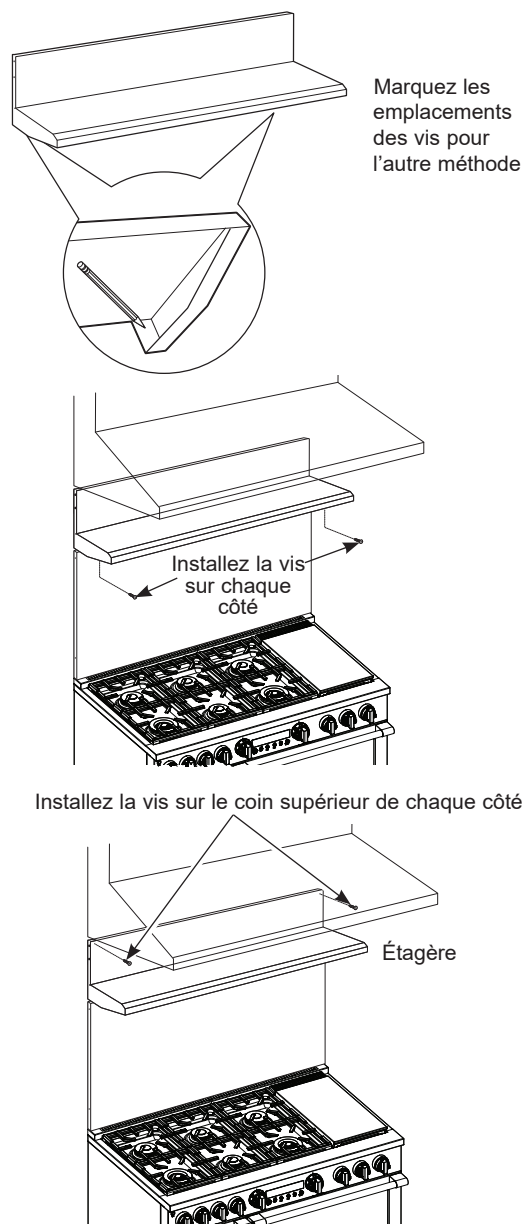
- Maintenez la plaque inférieure sur le support tout en vissant une vis (fournie) de chaque côté.
- Placez la plaque supérieure avec l'étagère en place sur le support mural supérieur. Si vous pouvez accéder aux deux côtés, fixez le panneau avec deux vis sur chaque côté.
- Fixez la plaque supérieure avec l'étagère sur le support supérieur et fixez la plaque à l'aide de vis sur l'avant du panneau, sur les coins supérieurs. Utilisez une vis par côté.



INSTALLEZ LES PANNEAUX DE RECOUVREMENT (suite)

MÉTHODE ALTERNATIVE : En cas d'obstruction de l'accès latéral

- Installez la plaque inférieure sur le support inférieur tout en vissant une vis de chaque côté.
- Maintenez la plaque supérieure en place tout en marquant les emplacements des vis, juste en dessous de l'étagère de support et sur la plaque inférieure.
- Retirez l'étagère et percez un trou de 0,35 cm (9/64") de diamètre dans les emplacements tracés au crayon.
- Montez la plaque supérieure sur le support supérieur et fixez la plaque à l'aide de vis dans les trous percés sur chaque côté.
- Installez les vis à travers chaque coin supérieur.



REMARQUE : Il est recommandé de porter des lunettes de sécurité ou des lunettes étanches lors de l'installation de cet appareil.

REMARQUE : Au sein de GE Appliances, nous nous efforçons toujours d'améliorer nos produits. Ainsi, les matériaux, l'aspect et les spécifications peuvent être modifiés sans préavis.



INSTRUCCIONES DE INSTALACIÓN

Módulo Superior de Cocina de 36" y 48"

ESPAÑOL.

MONOGRAM.COM

Información de Seguridad

¿Desea realizar una consulta o necesita ayuda con su electrodoméstico? ¡Intente a través del sitio Web de Monogram las 24 horas del día, cualquier día del año! También puede comprar más grandiosos productos de Monogram y sacar ventaja de todos nuestros servicios de soporte a través de Internet, diseñados para su conveniencia. En EE.UU.: monogram.com.

EN EL COMMONWEALTH DE MASSACHUSETTS

- Este producto debe ser instalado por un plomero licenciado o un mecánico gasista.
- Al usar un conector de gas flexible no deberá exceder los 5 pies.
- Al usar válvulas de cierre de gas tipo balón, deberán ser del tipo de manija T.

⚠ ADVERTENCIA RIESGO DE INCENDIO O EXPLOSIÓN

Si la información de este manual no se sigue exactamente, se podrá producir un incendio o explosión, ocasionando daños sobre la propiedad, lesiones o la muerte.

La instalación deberán ser realizadas por un instalador calificado.

Lea estas instrucciones en su totalidad y atentamente.

Esta cocina se deberá instalar de acuerdo con los códigos locales, o en la ausencia de códigos locales, con el Código de Gas Combustible Nacional, ANSI Z223.1/NFPA.54, última edición. En Canadá, la instalación deberá ser conforme con el Código de Instalación de Gas Natural actual, CAN/CGA-B149.1 o el Código de Instalación de Propano actual, CAN/CGA-B149.2, y con los códigos locales cuando corresponda. Esta cocina fue diseñada y certificada por CSA International, de acuerdo con ANSI Z21.1, última edición y con la Canadian Gas Association (Asociación de Gas de Canadá) CAN/CGA-1.1 última edición.

Al instalar un electrodoméstico a gas, el uso de conectores flexibles viejos puede ocasionar pérdidas y lesiones personales. Siempre use un conector flexible NUEVO.

La prueba de goteras del electrodoméstico se deberá realizar de acuerdo con las instrucciones del fabricante.

La cocina deberá estar correctamente conectada a tierra de acuerdo con los códigos y ordenanzas locales o, en ausencia de códigos locales, de acuerdo con el Código Nacional de Electricidad (National Electric Code), (ANSI/NFPA NO. 70., última edición). En Canadá, la conexión a tierra se deberá realizar de acuerdo con la Parte 1 del Código de Electricidad de Canadá CSA C22.1 y/o los códigos locales. En esta sección, consulte las Conexiones Eléctricas

No instale este producto con una campana con cortina de aire u otra campana de cocina que funcione llevando aire a la placa de cocción. El flujo de aire podrá interferir en el funcionamiento de los quemadores de gas, produciendo riesgos de incendio o explosión.

READ AND SAVE THESE INSTRUCTIONS

Información de Seguridad

ANTES DE COMENZAR

Lea estas instrucciones por completo y con detenimiento.

- **IMPORTANTE** — Conserve estas instrucciones para uso del inspector de electricidad local.
- **IMPORTANTE** — Cumpla con todos los códigos y ordenanzas gubernamentales.
- **IMPORTANTE** — Retire todo el material de embalaje y material escrito del horno antes de conectar el gas y el suministro de corriente a la cocina.
- **IMPORTANTE** — A fin de evitar daños en los gabinetes, controle con su constructor o proveedor de gabinetes que los materiales usados no descolorarán, deslaminarán ni sostendrán otro daño. Este horno fue diseñado de acuerdo con los requisitos de UL y CSA International y cumple con las temperaturas máximas permitidas para gabinetes de madera de 194° F (90° C).
- **Nota para el Instalador** — Asegúrese de que estas instrucciones queden en manos del comprador.
- **Nota para el Consumidor** — Guarde estas instrucciones para referencia futura.
- **Servicio Técnico** — El diagrama eléctrico se encuentra en un sobre adjunto al reverso de la cocina.
- La correcta instalación del producto es responsabilidad del instalador.
- Si se producen fallas en el producto debido a una instalación inadecuada, la Garantía no cubrirá las mismas.
- Para acceder a Piezas y Accesorios de Monogram, visite nuestro sitio web en monogram.com/ownership/parts/
- Si el módulo superior de cocina que recibió está dañado, se deberá comunicar con su vendedor minorista.

SI ESTE PRODUCTO ES PARA SER USADO FUERA DE LOS EE.UU. O CANADÁ

⚠ ADVERTENCIA Si desea utilizar este producto con gas Líquido de Propano (LP) que contiene más de 10% de butano, usted deberá adquirir el kit del accesorio de conversión a Propano HA n° ZXBUPR01. Para pedir, llame al 1.888.664.8403 o 1.787.276.4051. No hacerlo puede provocar un peligro de monóxido de carbono o de incendio.

COMBINACIONES DE CAPUCHAS DE VENTILACIÓN

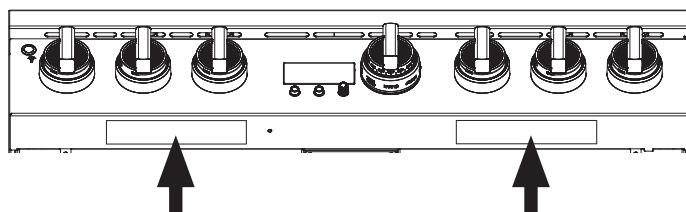
Se requiere una campana superior de ventilación adecuada para los modelos con parilla y también se recomienda para todo los demás modelos.

Debido a la elevada capacidad de calor de esta unidad, debe prestarse especial atención a la instalación de la capucha y de la red de conductos para garantizar que cumpla con los códigos de construcción locales.

Distancias respecto de superficies horizontales sobre la cocina, medidas en relación a la superficie de cocción. No cumplir con esto puede provocar un peligro de incendio.

- Las instalaciones sin campana requieren un mínimo de 48" en relación a los combustibles, excepto el modelo ZDP486 con el cual se requiere un a campana de ventilación adecuada.
- Una instalación de capucha a medida con superficies expuestas horizontales combustibles debe contar con una función de encendido automático.
- Para otras instalaciones con una capucha, consulte las instrucciones de instalación de capuchas sobre espacios específicos para capuchas.

⚠ PRECAUCIÓN Estos módulos superiores de cocina son extremadamente pesados. Cierta desensamble reducirá el peso de forma considerable. Debido al peso y tamaño del módulo superior de cocina y a fin de reducir el riesgo de lesiones personales o daños sobre el producto: **ES NECESARIO CONTAR CON DOS PERSONAS PARA UNA CORRECTA INSTALACIÓN DEL MÓDULO SUPERIOR DE COCINA.** **ES NECESARIO CONTAR CON TRES PERSONAS PARA UNA CORRECTA INSTALACIÓN DEL MÓDULO SUPERIOR DE COCINA DE 48" .**



Ubicación de la Etiqueta de Especificaciones Técnicas

READ AND SAVE THESE INSTRUCTIONS

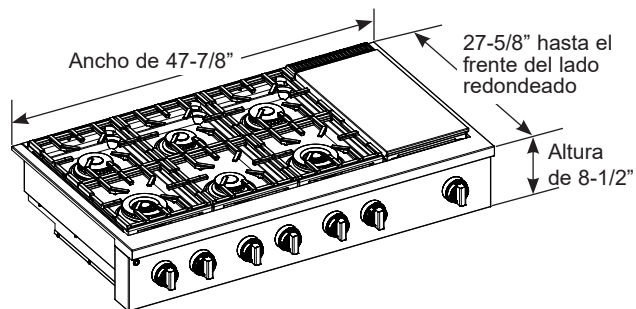
Contenidos

CONTENIDOS

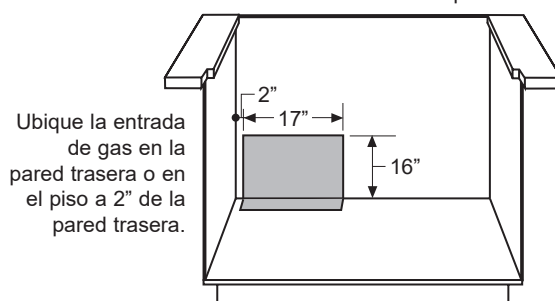
Información de Seguridad	2	Instalación de accesorios UX12BS36PSS, UX12BS48PSS	
Información de diseño		Accesorios Opcionales – Salpicadero Alto de 12”	
Dimensiones y Espacios del Producto	5	Herramientas y Materiales Requeridos	15
Información de instalación		Instale el Salpicadero de 12”	15
Kit Para Altitudes Elevadas WB28K10553.....	8	Instalación de accesorios UXADBS36PSS, UXADBS48PSS	
Materiales Provistos	8	Accesorios –Salpicadero Ajustable de 30” A 36”	
Materiales Requeridos (no provistos)	8	Herramientas y Materiales Requeridos	16
Herramientas Requeridas	8	Instale los Paneles de Soporte de Pared.....	16
Instalación		Instale los Paneles de Cubierta	17
Quite el Empaque.....	9		
Recorte la Abertura de la Mesada	10		
Instale el Módulo Superior de Cocina	11		
Conversión a Gas Propano (LP) o a Gas Natural	11		
Suministro de Gas.....	12		
Conexiones Eléctricas	13		
Controle los Quemadores	13		
Controle las Cabezas de los Quemadores	13		
Finalice la Instalación	14		
Una Vez Completadas Todas las Conexiones	14		

Información de diseño

DIMENSIONES Y ESPACIOS DEL PRODUCTO PARA MODELOS DE 48"



Ubicaciones de los servicios públicos



⚠ ADVERTENCIA

Se requiere

una campana de ventilación en la parte superior para el modelo ZDP486. Una instalación de capucha a medida con superficies expuestas horizontales combustibles debe contar con una función de encendido automático. Consulte las instrucciones de instalación de la capucha para obtener espacios específicos de las capuchas.

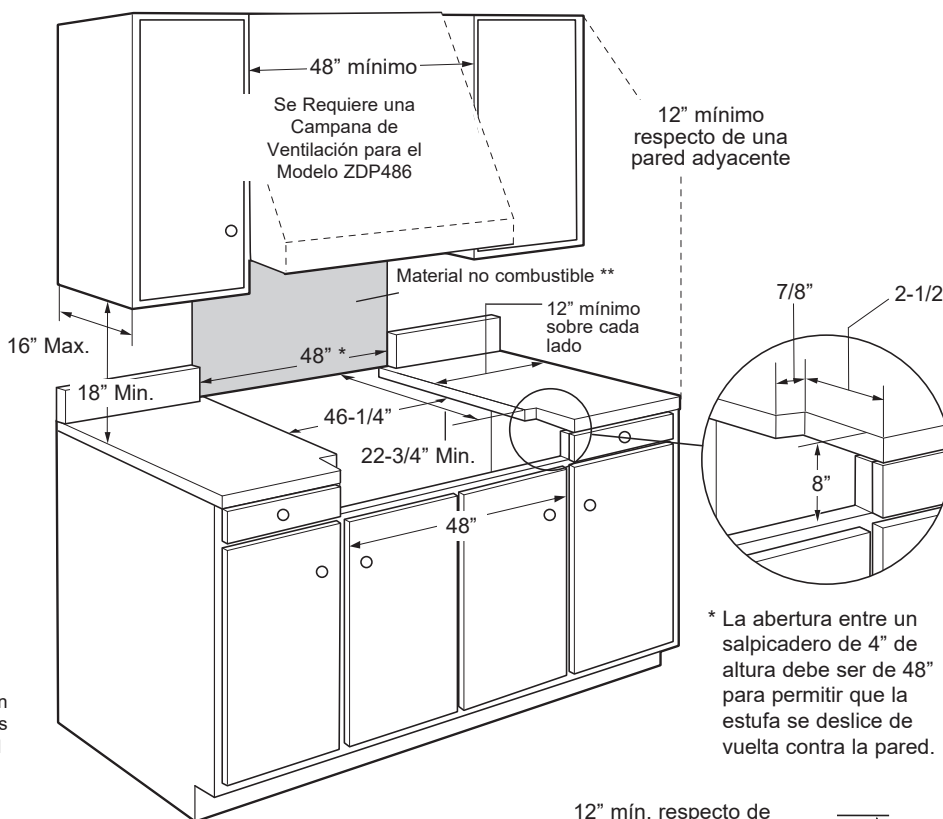
La superficie de toda la pared trasera sobre la cocina y debajo de la campana deberá estar cubierta con un material no combustible tal como metal, azulejos de cerámica, ladrillo, mármol u otra piedra.

⚠ PRECAUCIÓN

Para evitar

que una corriente de aire afecte el funcionamiento del quemador, selle todas las aberturas sobre el piso debajo del electrodoméstico y detrás de la pared del mismo.

** De acuerdo con lo definido por el National Fuel Gas Code (Código Nacional de Gas Combustible) (ANSI Z223.1/CSA B149.1, Edición Actual). Los espacios de despeje para materiales no combustibles no están dentro del alcance del ANSI Z21.1/CSA 1.1 y no están certificados por CSA. Los espacios de despeje inferiores a 12" deberán ser aprobados por los códigos locales y/o por la autoridad con jurisdicción.



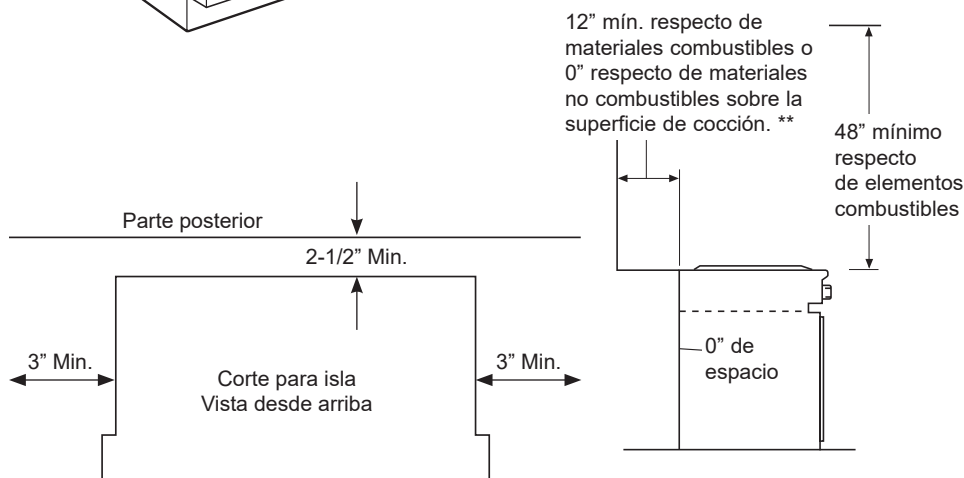
* La abertura entre un salpicadero de 4" de altura debe ser de 48" para permitir que la estufa se deslice de vuelta contra la pared.

ESPACIOS ADICIONALES:

Deje un espacio mínimo de 12" respecto de una pared adyacente sobre cada lado.

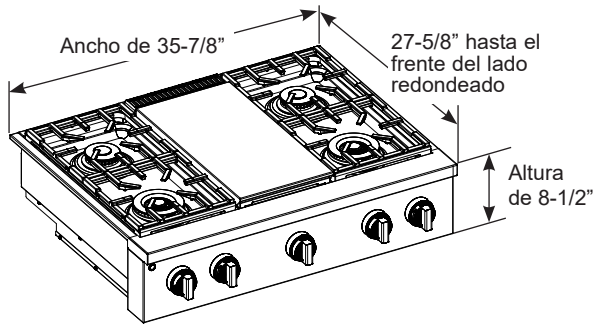
Las áreas de trabajo adyacentes a la estufa deben contar con un espacio mínimo de 18" entre el mostrador de encimera y la parte inferior del gabinete de pared.

Para la instalación de la isla, deje un espacio mínimo de 2-1/2" entre la abertura y el extremo trasero de la mesada y un mínimo de 3" entre la abertura y los extremos laterales de la mesada (ver la vista superior).

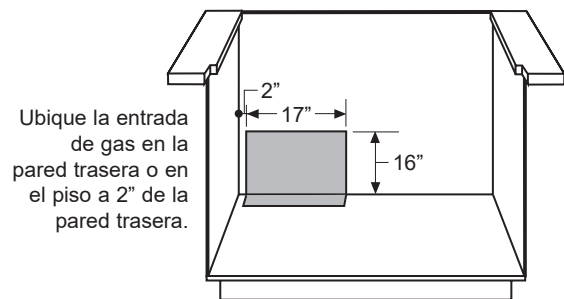


Información de diseño

DIMENSIONES Y ESPACIOS DEL PRODUCTO PARA MODELOS DE 36"



Ubicaciones de los servicios públicos



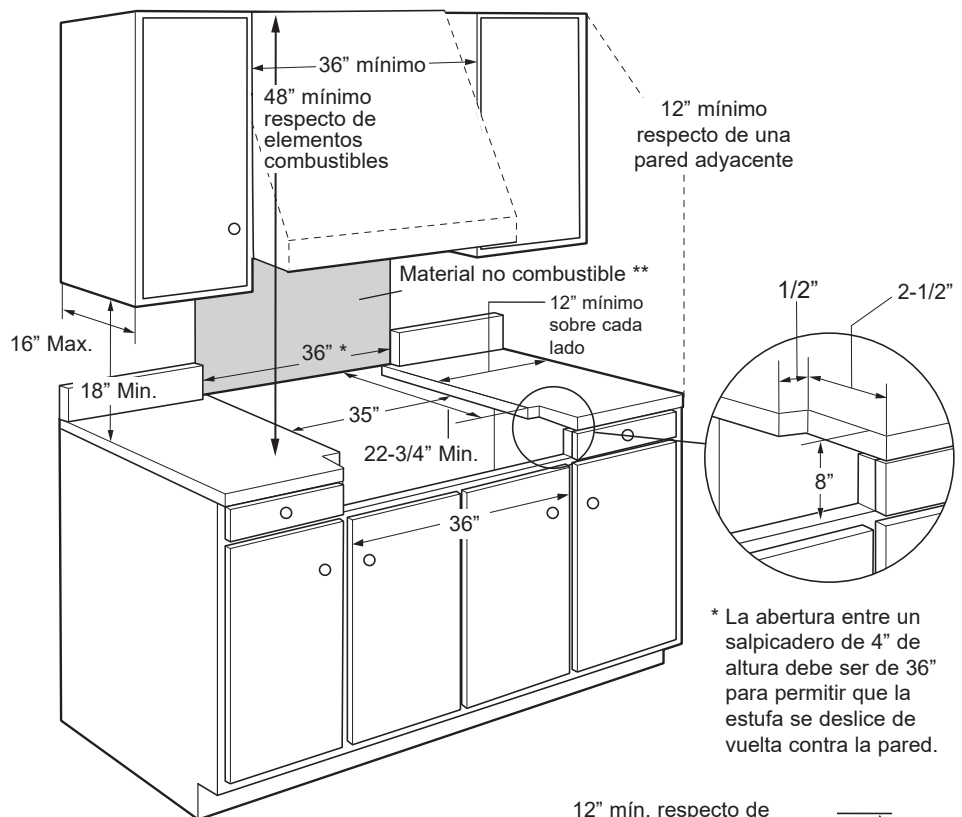
⚠ ADVERTENCIA

Las instalaciones sin capucha requieren un mínimo de 48" respecto de elementos combustibles. Una instalación de capucha a medida con superficies expuestas horizontales combustibles debe contar con una función de encendido automático. Consulte las instrucciones de instalación de la capucha para obtener espacios específicos de las capuchas. La superficie de toda la pared trasera sobre la cocina y debajo de la campana deberá estar cubierta con un material no combustible tal como metal, azulejos de cerámica, ladrillo, mármol u otra piedra.

⚠ PRECAUCIÓN

Para evitar que una corriente de aire afecte el funcionamiento del quemador, selle todas las aberturas sobre el piso debajo del electrodoméstico y detrás de la pared del mismo.

** De acuerdo con lo definido por el National Fuel Gas Code (Código Nacional de Gas Combustible) (ANSI Z223.1/CSA B149.1, Edición Actual). Los espacios de despeje para materiales no combustibles no están dentro del alcance del ANSI Z21.1/CSA 1.1 y no están certificados por CSA. Los espacios de despeje inferiores a 12" deberán ser aprobados por los códigos locales y/o por la autoridad con jurisdicción.



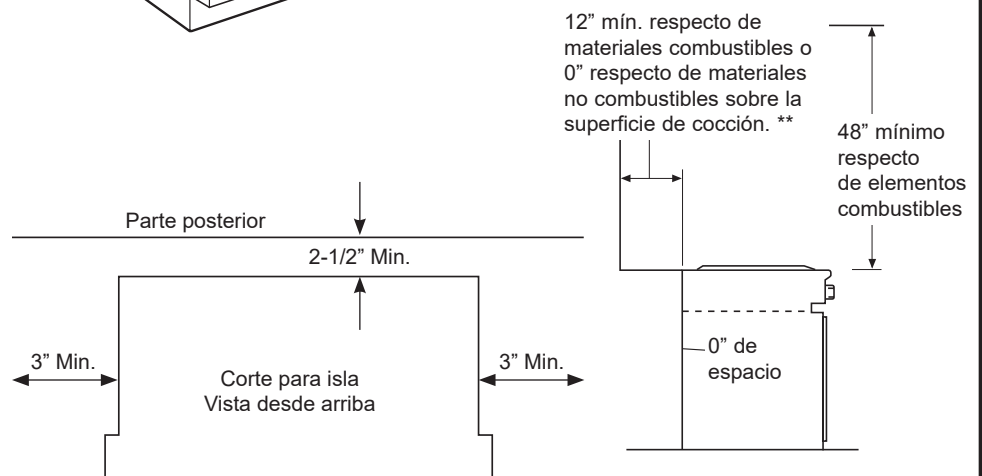
* La abertura entre un salpicadero de 4" de altura debe ser de 36" para permitir que la estufa se deslice de vuelta contra la pared.

ESPACIOS ADICIONALES:

Deje un espacio mínimo de 12" respecto de una pared adyacente sobre cada lado.

Las áreas de trabajo adyacentes a la estufa deben contar con un espacio mínimo de 18" entre el mostrador de encimera y la parte inferior del gabinete de pared.

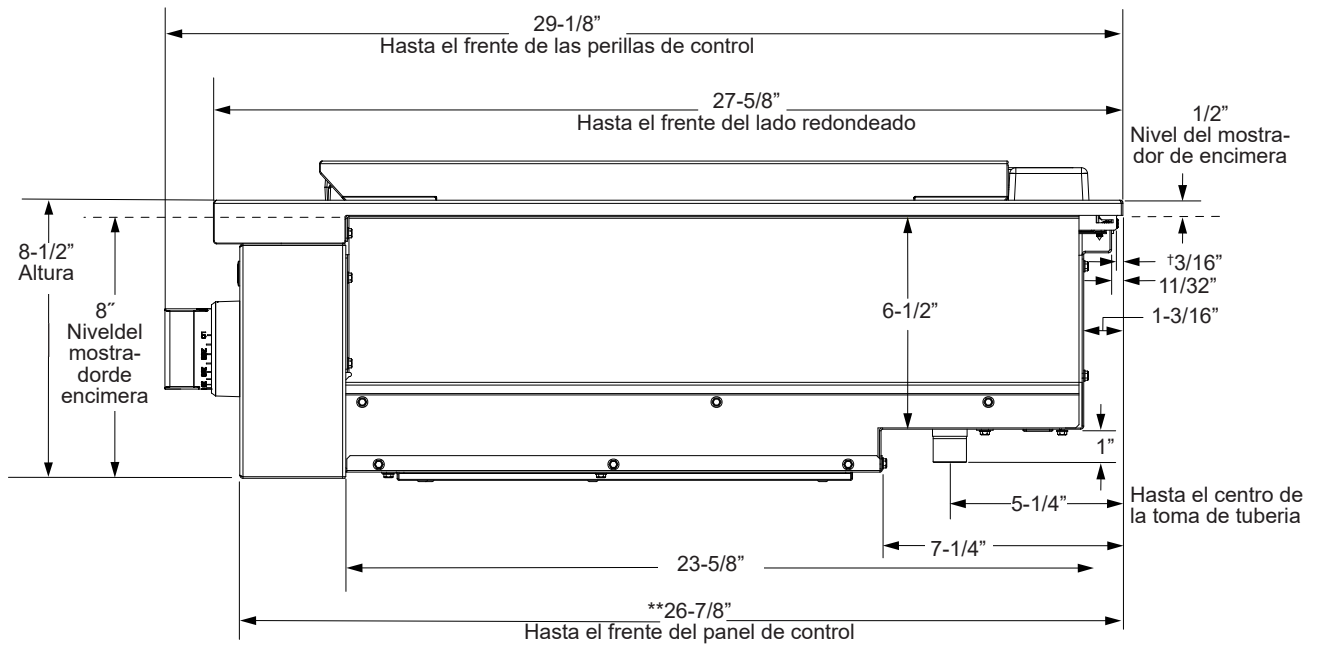
Para la instalación de la isla, deje un espacio mínimo de 2-1/2" entre la abertura y el extremo trasero de la mesada y un mínimo de 3" entre la abertura y los extremos laterales de la mesada (ver la vista superior).



Información de diseño

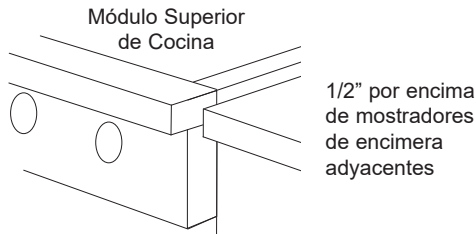
DIMENSIONES Y ESPACIOS DEL PRODUCTO

Modelos de Módulo Superior de Cocina de 48» y 36»

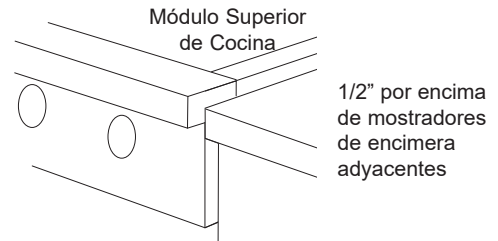


† Incluye la saliente del reborde trasero cuando el mostrador de encimera continúa por detrás del producto. La saliente es sólo decorativa. El peso del módulo superior de cocina se encuentra sostenido por completo por los rebordes laterales.

** Profundidad máxima de abertura del mostrador de encimera desde la parte trasera del reborde trasero respecto del borde trasero biselado a los lados del panel de control – típicamente, la profundidad máxima de la abertura del mostrador de encimera (del frente hacia atrás).



Los proyectos del panel de control remiten de los gabinetes estándares de la profundidad.



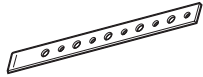
El frente de gabinetes profundos puede alinear con el borde biselado del panel de control.

Información de instalación

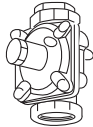
INSTALACIÓN EN ALTITUD ELEVADA

A más de 6000 pies, el producto configurado para gas natural o gas propano requerirá la instalación del kit (WB28X39726 para gas natural y WB28X39727 para gas propano). Siga las instrucciones provistas con el kit.

MATERIALES PROVISTOS



Abrazadera de sujeción

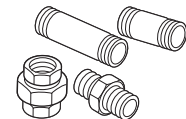


Regulador

MATERIALES REQUERIDOS (no provistos)



Sellador de Roscas de Tuberías



Accesorios de tubería



Válvula de apagado



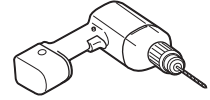
Longitud máxima de 5 pies, 5/8" DE. Suministro de gas de metal flexible aprobado por CSA

NOTA: Adquiera una línea flexible nueva; no utilice una línea de gas flexible previamente usada.

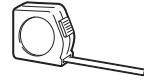
HERRAMIENTAS REQUERIDAS



Sierra sable



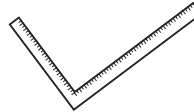
Perforadora y brocas apropiadas



Cinta de medir



Llave ajustable



Regla de carpintero



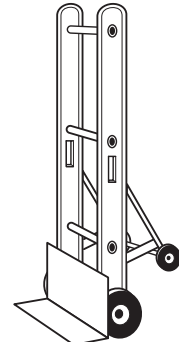
Llave de cubo o llave de 1/4"



Gafas de seguridad



Destornillador de estrella #2



Carretilla de mano



Nivel

Instalación

1 QUITE EL EMPAQUE

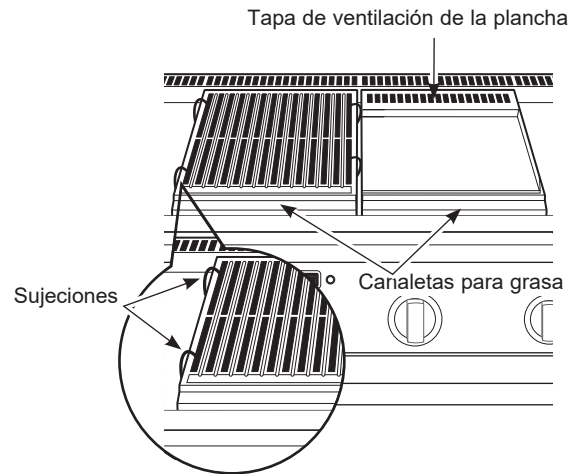
⚠ PRECAUCIÓN

Mantenga una distancia prudencial.

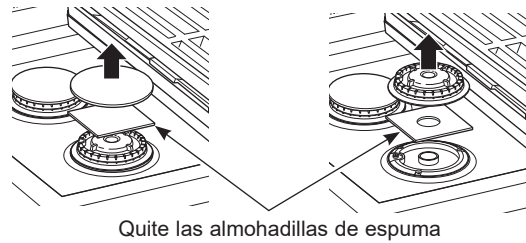
Cuando se cortan, los extremos de los precintos de metal pueden golpearlo.

- Corte los precintos de metal.
- Quite la cinta y la espuma de empaque. Deseche todos los materiales de empaque de manera adecuada.
- Quite las tapas de la parrilla/plancha, la rejilla de la parrilla y las rejillas de los quemadores.
- Levante y quite la tapa de ventilación de la plancha de hierro fundido, las canaletas para grasa y las almohadillas.

- Corte las sujeciones que sostienen la rejilla de la parrilla al armazón de la parrilla.



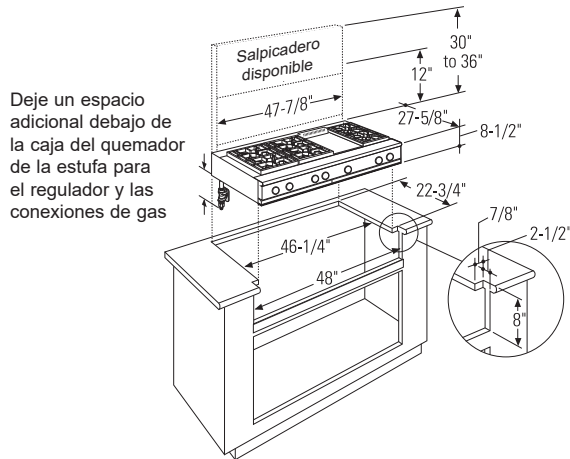
- Levante las tapas de los quemadores y quite las almohadillas de espuma, luego levante los cabezales de los quemadores y quite las almohadillas de espuma.



Quite las almohadillas de espuma

Instalación

2 CORTE LA ABERTURA DEL MOSTRADOR DE ENCIMERA



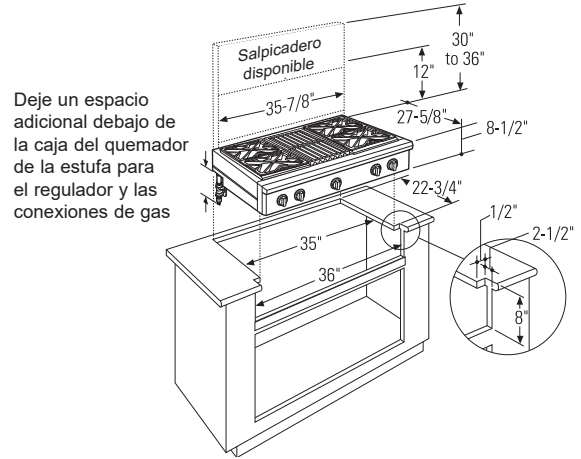
Deje un espacio adicional debajo de la caja del quemador de la estufa para el regulador y las conexiones de gas

Los modelos de 48" de ancho se encuentran diseñados para usarse en gabinetes con una base de 48" o más.

Mida con mucho cuidado cuando corte el mostrador de encimera. Asegúrese de que los lados de la abertura sean paralelos.

- Deje 8" de espacio libre debajo de la superficie superior del mostrador de encimera.
- Deje espacios adicionales debajo de la caja del quemador para instalar el regulador y para efectuar conexiones de suministro doméstico. Utilice un codo de 90° para guiar las conexiones de gas y para limitar la interferencia con los cajones y otros elementos de los gabinetes de cocina.
- Estas estufas están diseñadas para colgar del mostrador de encimera mediante las bridas laterales.
- Alise todos los bordes ásperos del mostrador de encimera antes de instalar la estufa.
 - Los bordes de los mostradores de encimera de fórmica deben estar acabados.

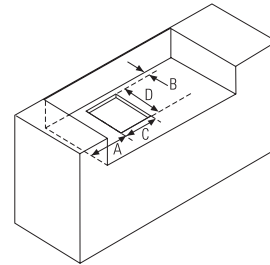
El mostrador de encimera debe ser lo suficientemente resistente para soportar el peso de la estufa.



Deje un espacio adicional debajo de la caja del quemador de la estufa para el regulador y las conexiones de gas

Los modelos de 36" de ancho se encuentran diseñados para usarse en gabinetes con una base de 36" o más.

Abertura de recorte con fondo falso



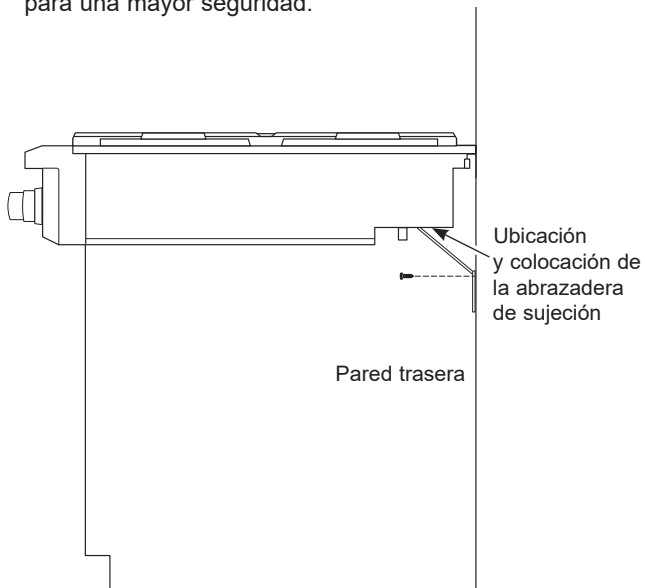
Dimensiones				
	A (Dia.)	B	C	D
Estufa de 36"	7-3/8"	1-1/2"	7-1/2"	11-1/8"
Estufa de 48"	8-1/4"	1-1/2"	7-1/2"	11-1/8"

- Usted puede construir el recorte con un fondo falso para ocultar la parte inferior de la estufa.
 - Construya el fondo falso un material sólido; corte un orificio de un diámetro de 7-1/2" x 11-1/8" en el extremo trasero izquierdo para la entrada de gas y para los espacios del cable de energía.

Instalación

3 INSTALE EL MÓDULO SUPERIOR DE COCINA

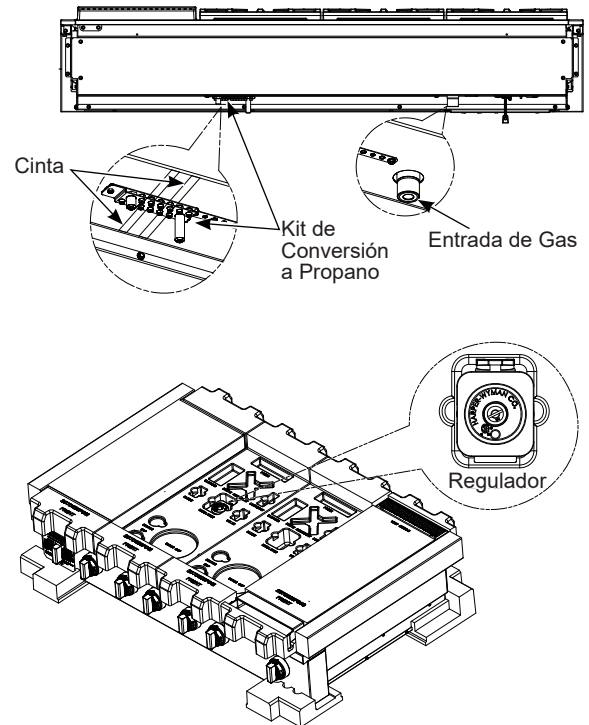
- Deslice el módulo superior de cocina dentro de la abertura. Asegúrese de que el mismo esté colocado y apoyado en forma pareja.
- Se provee una abrazadera de sujeción con tornillos para sujetar el módulo superior de cocina a las paredes del gabinete traseras o laterales.
- Quite la abrazadera de sujeción de la parte trasera del módulo superior de cocina. Sujete un extremo de la abrazadera a la parte trasera del mismo.
- Sujete el otro extremo de la abrazadera lo más alto posible sobre la pared trasera del gabinete o gabinete adyacente. Mantenga la abrazadera lo más corta posible para una mayor seguridad.



4 CONVERSIÓN A PROPANO (LP) O A GAS NATURAL

El regulador de presión y los orificios del quemador poseen una configuración de fábrica para gas natural. A fin de utilizar la superficie de cocción con propano (LP) el regulador y los orificios del quemador deberán estar cubiertos. La conversión deberá ser realizada por un instalador de gas propano (LP) calificado.

Guarde estas instrucciones y todo orificios en caso de que lo desee convertir nuevamente a gas natural.



Instalación

5 SUMINISTRO DE GAS

▲ADVERTENCIA Riesgo de incendio: No use una llama para controlar las pérdidas de gas.

▲ADVERTENCIA Riesgo de Explosión: No supere una torsión máxima de 25 pies-libras al realizar conexiones de tuberías de gas. Cualquier ajuste en exceso podrá dañar el regulador de presión, resultando en riesgo de incendio o explosión.

Regulador de Presión de Gas

Se deberá usar el regulador de presión de gas suministrado con esta superficie de cocción. Para un funcionamiento adecuado, la presión de entrada al regulador deberá ser la siguiente:

Gas Natural:

Presión mínima: Columna de Agua de 6"

Presión máxima: Columna de Agua de 13"

Gas Propano (LP):

Presión mínima: Columna de Agua de 11"

Presión máxima: Columna de Agua de 13"

Si no está seguro sobre cuál es la presión de entrada, comuníquese con el proveedor de gas local.

Cierre la válvula principal de suministro de gas antes de desconectar su vieja superficie de cocción y deje la misma apagada hasta que la nueva conexión se haya completado. No olvide volver a encender el piloto en otros electrodomésticos a gas cuando vuelva a encender el gas.

Debido a que las tuberías duras restringen el movimiento de la superficie de cocción, se recomienda el uso del conector para electrodomésticos de metal flexible con certificación internacional de CSA, a menos que los códigos locales requieran una conexión de tubería dura.

Si se usa el método de tubería dura, deberá alinear la misma con cuidado; la superficie de cocción no se podrá mover una vez realizada la conexión.

A fin de evitar pérdidas de gas, coloque el sellador de roscas de tuberías, o envuelva la cinta para roscas de tuberías con Teflón* alrededor de todas las roscas de tubería macho (externas).

- Instale el regulador de presión provisto directamente a la tubería de entrada de gas de la superficie de cocción. Consulte la flecha en la parte trasera del regulador para conocer la dirección del flujo de gas. Asegúrese de que la parte frontal del regulador esté mirando hacia el frente del gabinete, fácilmente accesible a través de las puertas del gabinete.
- Instale una válvula de cierre manual en la tubería de gas en una ubicación de fácil acceso a través de las puertas del gabinete.
- Una vez realizadas todas las conexiones, asegúrese de que todos los controles de gas estén en la posición de apagado y encienda la válvula de suministro principal de gas. Use un detector de pérdida de líquido en todas las uniones y conexiones, a fin de controlar pérdidas en el sistema.

*Teflón: Marca registrada por DuPont

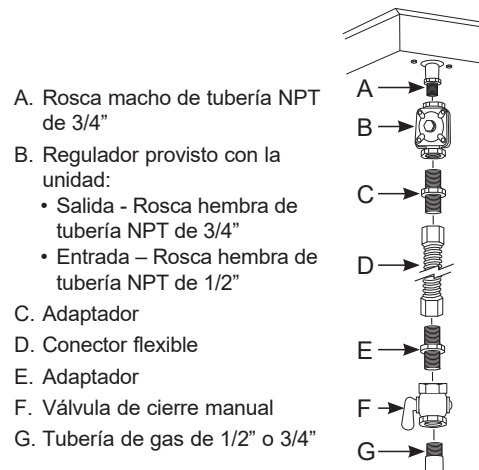
5 SUMINISTRO DE GAS (Cont.)

Al usar presiones superiores a ½ psig para controlar la presión del sistema de suministro de gas de la residencia, desconecte la superficie de cocción y la válvula de cierre individual de la tubería de suministro de gas. Al usar las presiones de prueba de ½ psig o menos para controlar el sistema de suministro de gas, simplemente aisle la superficie de cocción del sistema de suministro de gas, cerrando la válvula de cierre individual.

Al controlar el funcionamiento adecuado del regulador, la presión de entrada deberá ser por lo menos 1" mayor que la presión de funcionamiento (tubo) como en la etiqueta de calificación del producto.

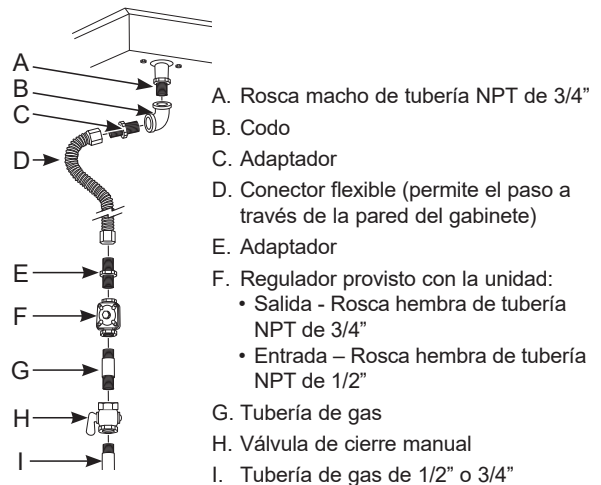
CONEXIÓN DEL CONECTOR

INSTALACIÓN TÍPICA SIN OBSTRUCCIONES DEBAJO DE LA SUPERFICIE DE COCCIÓN



- Rosca macho de tubería NPT de 3/4"
- Regulador provisto con la unidad:
 - Salida - Rosca hembra de tubería NPT de 3/4"
 - Entrada - Rosca hembra de tubería NPT de 1/2"
- Adaptador
- Conector flexible
- Adaptador
- Válvula de cierre manual
- Tubería de gas de 1/2" o 3/4"

INSTALACIÓN ALTERNATIVA CON OBSTRUCCIONES DEBAJO DE LA SUPERFICIE DE COCCIÓN



- Rosca macho de tubería NPT de 3/4"
- Codo
- Adaptador
- Conector flexible (permite el paso a través de la pared del gabinete)
- Adaptador
- Regulador provisto con la unidad:
 - Salida - Rosca hembra de tubería NPT de 3/4"
 - Entrada - Rosca hembra de tubería NPT de 1/2"
- Tubería de gas
- Válvula de cierre manual
- Tubería de gas de 1/2" o 3/4"

Instalación

6 CONEXIONES ELÉCTRICAS

⚠ADVERTENCIA

Riesgo de Descarga: Este electrodoméstico deberá estar conectado a tierra de forma adecuada. Si no cumple con esto se podrán producir descargas eléctricas.

Requisitos Eléctricos - Circuito específico de 120 voltios, 60 Hertz, correctamente conectado a tierra por un disyuntor de 15 o 20 amperes o fusible de retraso.

NOTA: No se recomienda para este producto el uso de interruptores automáticos, inalámbricos o con cableado externo que apagan la corriente del electrodoméstico.

Conexión a Tierra

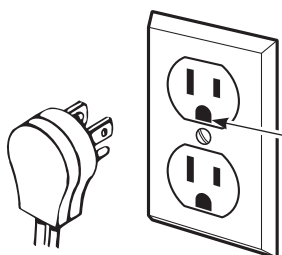
El cable de corriente de este electrodoméstico cuenta con un enchufe de 3 patas (conexión a tierra) que se conecta a un tomacorriente de pared estándar de 3 cables para minimizar la posibilidad de riesgos de descargas eléctricas por parte del mismo.

El cliente deberá contratar a un electricista calificado para que controle el circuito, a fin de asegurar que el tomacorriente esté correctamente conectado a tierra.

En caso de contar con un tomacorriente de pared de 2 cables, es la responsabilidad y obligación del cliente reemplazarlo por un tomacorriente de pared de 3 cables correctamente conectado a tierra.

NUNCA, BAJO NINGUNA CIRCUNSTANCIA, CORTE NI ELIMINE EL TERCER CABLE (TIERRA) DEL CABLE DE CORRIENTE. NO USE UN ADAPTADOR. NO USE UN PROLONGADOR.

No se requieren ni se recomiendan Interruptores con Detección de Falla a Tierra (GFCI) en receptáculos de cocinas a gas. El funcionamiento de la cocina no se verá afectado si se utiliza en un circuito GFCI protegido, pero es posible que se produzcan detenciones ocasionales no deseadas del interruptor GFCI.



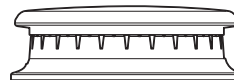
Asegúrese de contar con una conexión a tierra adecuada antes de usar.

7 CONTROLE LOS QUEMADORES

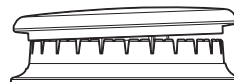
⚠ADVERTENCIA

Riesgo de Incendio o Explosión: No use el quemador sin que todas las partes de los quemadores estén en sus respectivos lugares.

- A. **Quemadores** - Coloque las cabezas de los quemadores en las posiciones correspondientes en la placa de cocción.
- B. **Tapas** - Coloque las tapas en los quemadores de los tamaños correspondientes.
- C. **Rejillas** - Las rejillas izquierda y derecha son intercambiables. Coloque las rejillas en la placa de cocción.



Tapa del quemador bien colocada



Tapa del quemador mal colocada

8 CONTROLE LAS CABEZAS DE LOS QUEMADORES

Presione y gire la perilla a la posición LITE (Luz). Un sonido de clic indica el correcto funcionamiento del sistema de encendido. Al iluminar cualquier quemador, se producirán chispas en todos los quemadores pero sólo saldrá gas del que fue seleccionado. Una vez que el aire se haya purgado de la línea de suministro, el quemador se deberá encender dentro de los 4 segundos. Luego de que el quemador se encienda, gire la perilla fuera de la posición LITE (Luz). Pruebe cada quemador de forma sucesiva hasta que todos los quemadores hayan sido controlados.

Calidad de las Llamas

Determine la calidad de las llamas de forma visual. Las llamas normales de los quemadores se deberán ver como (A) o (B).



(A) Llamas azul suave — Normal para gas natural



(B) Puntas amarillas en conos externos — Normal para el gas propano (LP)

Las llamas largas de color amarillo brillante no son normales. Las llamas normales podrán mostrar signos de un tinte anaranjado cuando estén bien quemadas, o signos de anaranjado parpadeante debido a las partículas del gas o del aire.

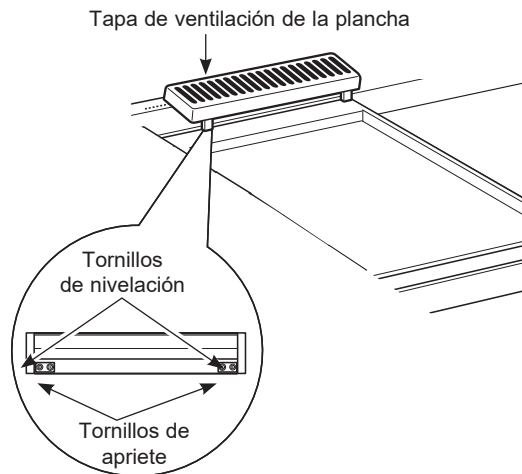
Instalación

FINALICE LA INSTALACIÓN

Coloque las rejillas de los quemadores sobre los quemadores. Las rejillas deben estar bien asentadas y no deben moverse.

La plancha se halla sujeta con tornillos. Se encuentra diseñada para permanecer en un lugar fijo y no debe quitarse.

La plancha cuenta con dos tornillos de nivelación debajo de tapa de ventilación trasera que pueden usarse para ajustar la inclinación deseada.



Los dos tornillos internos son tornillos de apriete para asegurar la plancha en su lugar. Afloje los dos tornillos antes de nivelar. No quite estos dos tornillos.

Los dos tornillos exteriores son tornillos de nivelación. No quite estos dos tornillos. Pueden girarse para nivelar la plancha o para brindar una inclinación hacia adelante para que las grasas y aceites se escurran de los alimentos que se están cocinando.

Después de nivelar la plancha, ajuste los tornillos de apriete a mano; no ajuste de más.

CUANDO TODAS LAS CONEXIONES SE HAYAN COMPLETADO

Asegúrese de que todos los controles queden en la posición de apagado. Asegúrese de que el flujo de la combustión y el aire de ventilación a la cocina estén desobstruidos.

Asegúrese que todos los materiales de empaque y cintas se hayan retirado. Esto incluye cintas sobre el panel metálico debajo de las perillas de control (si corresponde), cinta adhesiva, cintas para ajuste de cables, cartón y plástico protector. Si estos materiales no se retiran, se podrá producir como resultado un daño sobre el electrodoméstico, una vez que el mismo haya sido encendido y las superficies estén calientes.

Instalación de accesorios UX12BS36PSS, UX12BS48PSS

ACCESORIOS OPCIONALES – SALPICADERO ALTO DE 12”

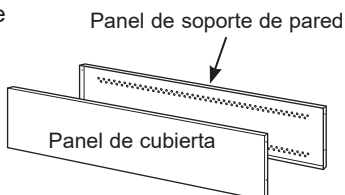
Este kit provee la instalación de tableros posteriores superiores de 12” en Estufas y Placas Superiores de Estufas Profesionales.

HERRAMIENTAS Y MATERIALES REQUERIDOS

- Guantes para protegerse de los bordes filosos
- Destornilladores T-15 y de estrella #2
- Perforadora eléctrica con mechas de 3/32” y 9/64” bits
- Gafas de seguridad
- Nivel
- Lápiz

Este kit incluye

- Panel de soporte de pared
- Panel de cubierta
- Paquete de ferretería con
 - 5 tornillos auto-roscantes #8 Torx 15 de acero inoxidable
 - 5 tornillos de estrella #2 para madera de cabeza troncocónica #10

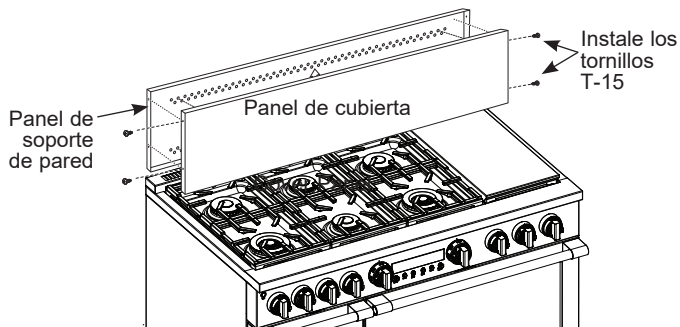
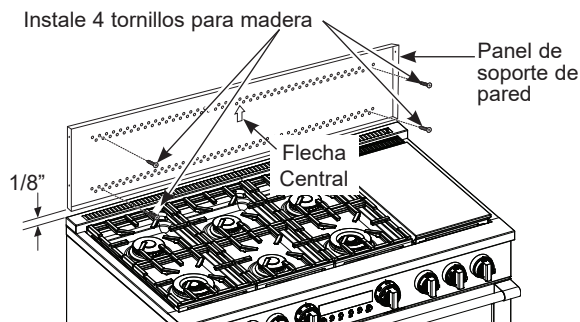


INSTALE EL SALPICADERO DE 12”

⚠ ADVERTENCIA

Este salpicadero debe estar bien sujeto a la pared. No hacerlo puede provocar daños o lesiones personales.

- Instale y nivele la cocina o estufa y la capucha de la cocina de acuerdo con las instrucciones de instalación.
- Quite el empaque y la película protectora del salpicadero.
- Utilice un nivel para marcar con lápiz una línea horizontal sobre la pared, 1/8” sobre la cocina o estufa. El espacio de 1/8” permite que el panel de cubierta se superponga con el panel de soporte de pared.
- Ubique los parantes en ambos lados. Donde no haya parantes disponibles, utilice anclajes de pared (no provistos).
- Alinee el panel de soporte de pared sobre la línea horizontal marcada y centrada de izquierda a derecha.
- El panel de soporte de pared debe fijarse a la pared en las 4 esquinas. Utilice tornillos para madera (provistos) o anclajes de pared (no provistos) para fijar el panel de soporte a la pared.
- Coloque el panel de protección sobre el panel de soporte de pared y fije con tornillos Torx (provistos). Instale 2 tornillos en cada lado.



Instalación de accesorios UXADBS36PSS, UXADBS48PSS

ACCESORIOS –SALPICADERO AJUSTABLE DE 30” A 36” (no incluido)

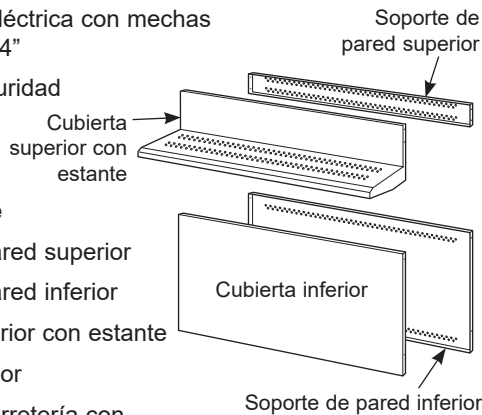
- Este salpicadero puede ajustarse para poder utilizarse en el espacio entre la parte superior de la cocina y la parte inferior de la capucha, con una altura mínima de 30” y una máxima de 36”.
- El peso máximo de capacidad de carga del estante es de 40 lbs.

HERRAMIENTAS Y MATERIALES REQUERIDOS

- Guantes para protegerse de bordes filosos
- Destornilladores T-15 y de estrella #2
- Perforadora eléctrica con mechas de 3/32” y 9/64”
- Gafas de seguridad
- Nivel
- Lápiz

Este kit incluye

- Soporte de pared superior
- Soporte de pared inferior
- Cubierta superior con estante
- Cubierta inferior
- Paquete de ferretería con
 - 9 tornillos auto-roscantes #8 Torx 15 de acero inoxidable
 - 9 tornillos de estrella #2 para madera de cabeza troncocónica #10
 - 3 tornillos de cabeza segmentada #10 de acero inoxidable #2 (para un método de instalación alternativo)



INSTALE LOS PANELES DE SOPORTE DE PARED

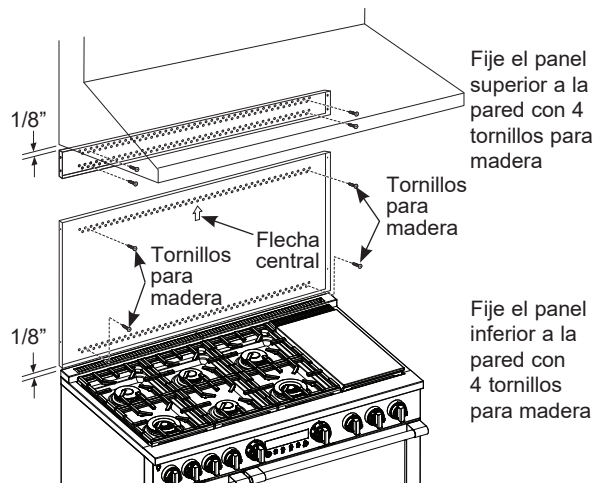
⚠ ADVERTENCIA

Los paneles de soporte de pared deben estar bien sujetos a la pared. No hacerlo puede provocar daños o lesiones personales.

IMPORTANTE: Este salpicadero se encuentra diseñado para cubrir la pared entre la parte inferior de la capucha y la parte superior de la cocina. La capucha de ventilación debe instalarse sobre la estufa o cocina antes de instalar el salpicadero.

- Instale y nivele la cocina/estufa de acuerdo con las instrucciones de instalación del producto.
- Quite el empaque y la película protectora del salpicadero.
- Ubique los parantes en ambos lados. Donde no haya parantes disponibles, utilice anclajes de pared (no provistos).
- Utilice un nivel para marcar con lápiz 2 líneas horizontales sobre la pared, una 1/8” por debajo de la capucha de ventilación y la otra 1/8” por encima de la cocina/estufa. El espacio de 1/8” permite que los paneles de cubierta se superpongan con los soportes de pared.
- Fije el panel de soporte de pared superior a la pared con 4 tornillos para madera, a través de los parantes exteriores.
- Utilice 4 tornillos para madera para fijar el panel de soporte de pared inferior. La ranura central debe ubicarse en la parte superior.

El espacio entre los paneles de soporte superior e inferior se cubrirá con la cubierta superior con estante.



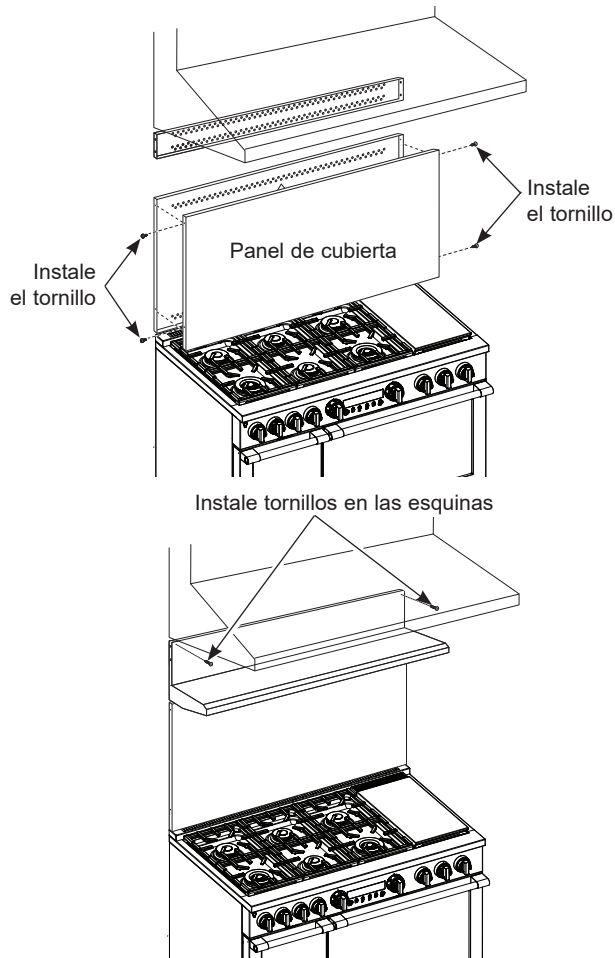
Instalación de accesorios UXADBS36PSS, UXADBS48PSS

ACCESORIOS –SALPICADERO AJUSTABLE DE 30” A 36” (no incluido) (cont.)

INSTALE LOS PANELES DE CUBIERTA

Ver el método alternativo si el acceso lateral se encuentra bloqueado.

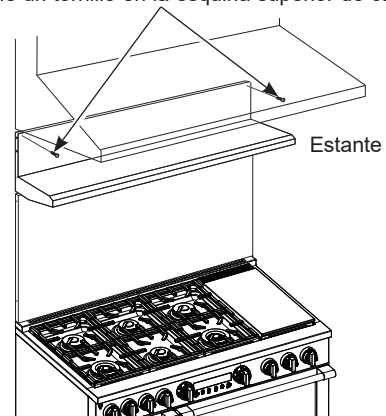
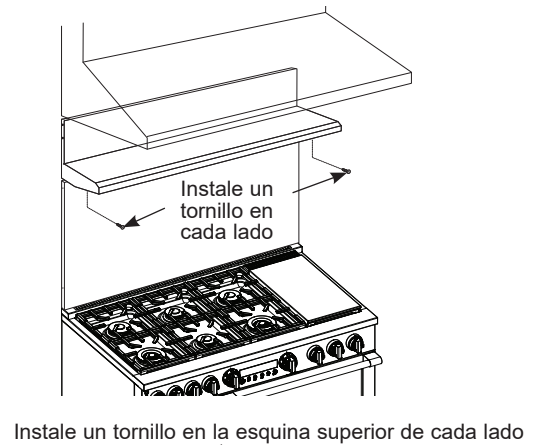
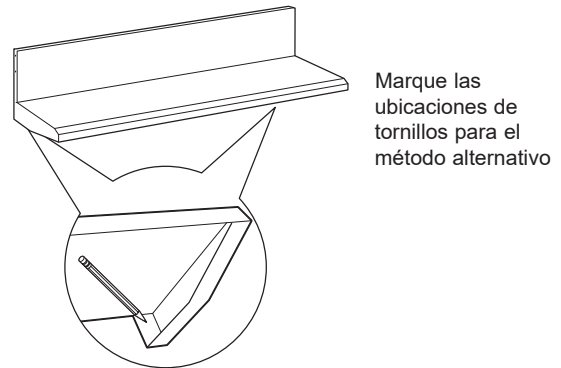
- Sostenga la cubierta inferior sobre el soporte inferior mientras coloca un tornillo (provisto) sobre cada lado.
- Coloque la cubierta superior con estante sobre el soporte de pared superior. Si tiene acceso a los lados, fije el panel con dos tornillos de cada lado.
- Fije la cubierta superior con estante al soporte superior con tornillos a través de la parte frontal del panel, en las esquinas superiores. Utilice un tornillo en cada lado.



INSTALE LOS PANELES DE CUBIERTA (cont.)

MÉTODO ALTERNATIVO: Cuando el acceso lateral se encuentra bloqueado.

- Instale la cubierta inferior sobre el soporte inferior mientras coloca un tornillo sobre cada lado.
- Sostenga la cubierta superior en su lugar mientras marca las ubicaciones de los tornillos, apenas debajo del soporte de estante y sobre la cubierta inferior.
- Quite el estante y perforo un orificio de 9/64” de diámetro en las ubicaciones marcadas con lápiz.
- Monte la cubierta superior sobre el soporte superior y fije la cubierta frontal con tornillos a través de los orificios perforados sobre cada lado.
- Instale tornillos a través de cada esquina superior.



NOTA: Al realizar las instalaciones descritas en este libro, se deberán usar anteojos o gafas de seguridad.

NOTA: Monogram Appliances se esfuerza de forma constante para mejorar sus productos. Por lo tanto, los materiales, el aspecto y las especificaciones están sujetos a cambios sin aviso previo