

Owner's Manual

30" and 36" Stainless Steel
Gas Cooktops

For Models:

ZGU384L

ZGU384N

ZGU385L

ZGU385N

Manuel du propriétaire

**Surface de cuisson au gaz
en acier inoxydable de 30 po
(76 cm) et de 36 po (91 cm)**

pour les modèles :

ZGU384L

ZGU384N

ZGU385L

ZGU385N

La section française commence à la page 19.

49-80658

07-12 GE

monogram.com



Introduction

Your new Monogram cooktop makes an eloquent statement of style, convenience and kitchen planning flexibility. Whether you chose it for its purity of design, assiduous attention to detail—or for both of these reasons—you'll find that your Monogram cooktop's superior blend of form and function will delight you for years to come.

Your Monogram cooktop was designed to provide the flexibility to blend in with your kitchen cabinetry. Its sleek design can be beautifully integrated into the kitchen.

The information on the following pages will help you operate and maintain your cooktop properly.

Contents

Care and Cleaning		Using Your Cooktop	
Burner Grates	11	Cookware	9
Control Knobs	10	Dual Flame Spill-Proof Burners.....	9
Dual Flame Spill-Proof Burners.....	12, 13	Electronic Ignition and Relight	8
Electronic Ignition and Relight Electrodes.....	14	Features.....	6, 7
Stainless Steel Surfaces.....	10	Flame Size.....	8
Consumer Services		Fuel/Gas Conversion	6, 7
Before You Call for Service.....	15	To Light a Burner	8
Important Phone Numbers	17		
Model and Serial Number.....	3		
Safety Instructions.....	4-5		
Warranty.....	18		

⚠ WARNING: If the information in this manual is not followed exactly, a fire or explosion may result, causing property damage, personal injury or death.

- Do not store or use gasoline or other flammable vapors and liquids in the vicinity of this or any other appliance.
- Do not install this product with air curtain hood or other range hood that blows air down on the cooktop. Airflow may interfere with operation of gas burners resulting in fire or explosion hazard.
- **WHAT TO DO IF YOU SMELL GAS**
 - Do not try to light any appliance.
 - Do not touch any electrical switch; do not use any phone in your building.
 - Immediately call your gas supplier from a neighbor's phone. Follow the gas supplier's instructions.
 - If you cannot reach your gas supplier, call the fire department.
- Installation and service must be performed by a qualified installer, service agency or the gas supplier.

Consumer Information

Gas Cooktop

Before using your cooktop

Read this manual carefully. It is intended to help you operate and maintain your new cooktop properly.

Keep it handy for answers to your questions.

If you don't understand something or need more help, there is a list of toll-free consumer service numbers included in the back section of this manual.

OR

Visit our Website at: monogram.com

Write down the model & serial numbers

You'll find them on a label under the cooktop.

Fill out and return the Consumer Product Registration Card that is packed with this product.

Before sending in the card, please write the numbers here:

Model Number

Serial Number

Use these numbers in any correspondence or service calls concerning your cooktop.

If you received a damaged cooktop

Immediately contact the dealer (or builder) that sold you the cooktop.

Save time & money

Read this manual. Inside you will find many helpful hints on how to use and maintain your cooktop properly. Just a little preventive care on your part can save you a great deal of time and money over the life of your cooktop.

You'll find many answers to common problems in the Before You Call for Service section. If you review our chart of *Troubleshooting Tips* first, you may not need to call for service at all.

If you need service

To obtain service, see the *Consumer Services* page in the back of this manual.

We're proud of our service and want you to be pleased. If for some reason you are not happy with the service you receive, here are some steps to follow for further help.

FIRST, contact the people who serviced your appliance. Explain why you are not pleased. In most cases, this will solve the problem.

NEXT, if you are still not pleased, write all the details—including your phone number—to:

Manager, Customer Relations
GE Appliances
Appliance Park
Louisville, KY 40225

IMPORTANT SAFETY INSTRUCTIONS

SAFETY PRECAUTIONS

IMPORTANT SAFETY NOTICE:

- **The California Safe Drinking Water and Toxic Enforcement Act** requires the Governor of California to publish a list of substances known to the state to cause cancer, birth defects or other reproductive harm, and requires businesses to warn customers of potential exposure to such substances.

- **Gas appliances can cause minor exposure to four of these substances**, namely benzene, carbon monoxide, formaldehyde and soot, caused primarily by the incomplete combustion of natural gas or LP fuels.

Properly adjusted burners, indicated by a bluish rather than a yellow flame, will minimize incomplete combustion. Exposure to these substances can be minimized further by venting with an open window or using the ventilation fan.

- **When you get your cooktop, have the installer show you the location of the gas shut-off valve and how to shut it off if necessary.**
- **Have your cooktop installed and properly grounded by a qualified installer**, in accordance with the installation instructions. Any adjustment and service should be performed only by qualified gas range installers or service technicians.
- **Plug your cooktop into a 120-volt grounded outlet only.** Do not remove the round grounding prong from the plug. If in doubt about the grounding of the home electrical system, it is your personal responsibility and obligation to have an ungrounded outlet replaced with a properly grounded three-prong outlet in accordance with the National Electrical Code. Do not use an extension cord with this appliance.
- **Be sure all packing materials are removed from the cooktop** before operating it to prevent fire or smoke damage should the packing material ignite.
- **Be sure your cooktop is correctly adjusted by a qualified service technician or installer for the type of gas (natural or LP) which is to be used.**
- **Do not attempt to repair or replace any part of your cooktop unless it is specifically recommended in this manual.** All other servicing should be referred to a qualified technician.

- **Do not leave children alone or unattended where a cooktop is hot or in operation.** They could be seriously burned.

- **⚠ CAUTION:** Items of interest to children should not be stored in cabinets above a cooktop—children climbing on the cooktop to reach items could be seriously injured.

⚠ WARNING: NEVER use this appliance as a space heater to heat or warm the room. Doing so may result in carbon monoxide poisoning and overheating of the cooktop.

- **Clean the cooktop with caution.** If a wet sponge or cloth is used to wipe spills on a hot cooktop, be careful to avoid steam burns.
- **Do not clean the cooktop with flammable or volatile cleaning fluids.**
- **Do not clean the cooktop when the appliance is in use.**
- **Avoid scratching the cooktop** with sharp instruments, or with rings and other jewelry.
- **Let the burner grates and other surfaces cool before touching them or leaving them where children can reach them.**
- **Never use the cooktop as a cutting board.**
- **Never wear loose-fitting or hanging garments while using the appliance.** Be careful when reaching for items stored in cabinets over the cooktop. Flammable material could be ignited if brought in contact with flame or hot surfaces and may cause severe burns.
- **For your safety, never use your appliance for warming or heating the room.**
- **Do not use water on grease fires. Never pick up a flaming pan.** Turn the controls off. Smother a flaming pan on a surface burner by covering the pan completely with a well-fitting lid, cookie sheet or flat tray. Use a multi-purpose dry chemical or foam-type fire extinguisher.

Flaming grease outside a pan can be put out by covering it with baking soda or, if available, by using a multi-purpose dry chemical or foam-type fire extinguisher.
- **Do not store flammable materials near the cooktop.** Do not store or use gasoline or other flammable vapors and liquids in the vicinity of this or any other appliance.

-
- **Do not let cooking grease or other flammable materials accumulate on or near the cooktop.**
 - **Never leave surface burners unattended at high flame settings.** Boilovers cause smoking and greasy spillovers that may catch on fire.
 - **Adjust surface burner flame size so it does not extend beyond the edge of the cookware.** Excessive flame is hazardous.
 - **Use only dry pot holders**—moist or damp pot holders on hot surfaces may result in burns from steam. Do not let pot holders come near open flames when lifting cookware. Do not use a towel or other bulky cloth in place of a pot holder.
 - **To minimize the possibility of burns,** ignition of flammable materials and spillage, turn cookware handles toward the side or center of the cooktop without extending over adjacent burner or vent area.
 - **Always turn the surface burners to OFF before removing the cookware.**
 - **Foods for frying should be as dry as possible.** Frost on frozen foods or moisture on fresh foods can cause hot fat to bubble up and over the sides of the pan.
 - **Use least possible amount of fat for effective shallow or deep-fat frying.** Filling the pan too full of fat can cause spillovers when food is added.
 - **Carefully watch foods being fried at high flame setting.**
 - **If a combination of oils or fats will be used in frying,** stir together before heating, or as fats melt slowly.
 - **Do not use a wok on the cooking surface if the wok has a round metal ring** that is placed over the burner grate to support the wok. This ring acts as a heat trap, which may damage the burner grate and burner head. Also, it may cause the burner to work improperly. This may cause a carbon monoxide level above that allowed by current standards, resulting in a health hazard.
 - **Always heat fat slowly,** and watch as it heats.
 - **Use a deep-fat thermometer whenever possible** to prevent overheating fat beyond the smoking point.
 - **Do not flame foods on the cooktop.** If you do flame foods under the hood, turn the fan on.
 - **Use proper pan size**—avoid pans that are unstable or easily tipped. Select cookware having flat bottoms large enough to properly contain food and avoid boilovers and spillovers, and large enough to cover burner grate. This will both save cleaning time and prevent hazardous accumulations of food, since heavy spattering or spillovers left on cooktop can ignite. Use pans with handles that can be easily grasped and remain cool.
 - **Keep all plastics away from burners.**
 - **To avoid the possibility of a burn, always be certain that the controls for all burners are at the off position and all grates are cool before attempting to remove a grate.**
 - **If the cooktop is located near a window,** do not use long curtains which could blow over the burners and create a fire hazard.
 - **If you smell gas,** turn off the gas to the cooktop and call a qualified service technician. Never use an open flame to locate a leak.
 - **Do not cover or block the area around the cooktop knobs.** This area must be kept clear for proper ventilation and burner performance.
 - **Cook meat and poultry thoroughly**—meat to at least an INTERNAL temperature of 160°F and poultry to at least an INTERNAL temperature of 180°F. Cooking to these temperatures usually protects against foodborne illness.

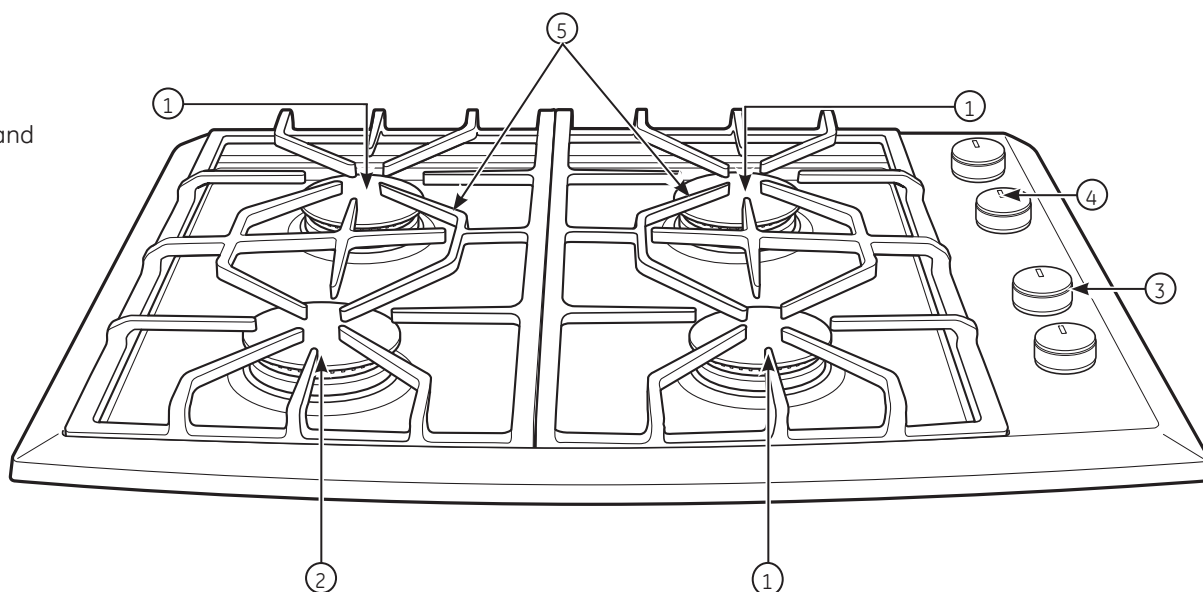
SAVE THESE INSTRUCTIONS

Features of Your Cooktop

Gas Cooktop

Features

(Throughout this manual, features and appearance may vary.)



ZGU384 – 30" Gas Cooktop

Feature Index

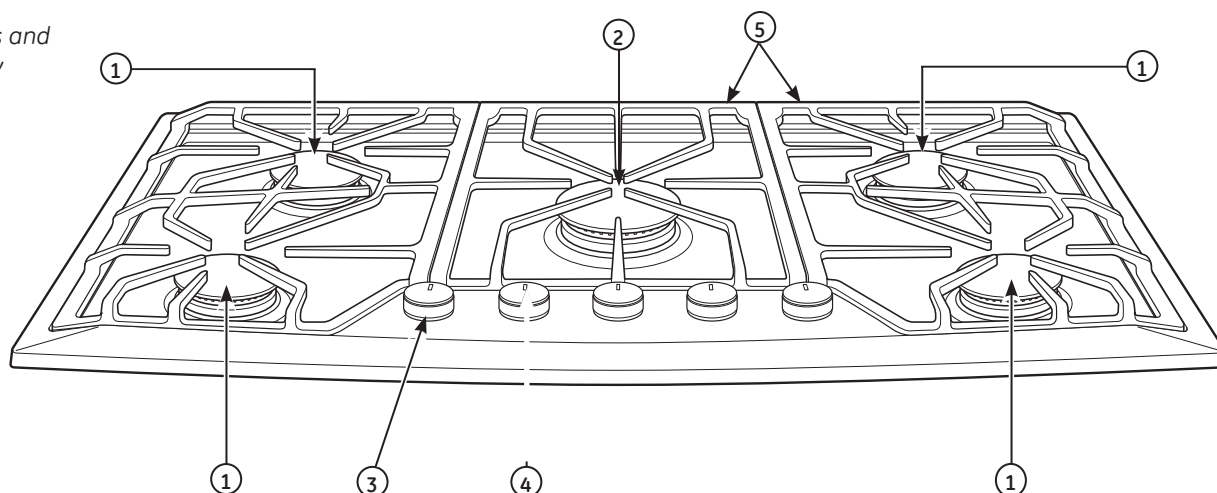
		Page
1	Dual-Flame Spillproof Burners—High Output	9, 12, 13
2	Dual-Flame Spillproof Burners—X-High Output	9, 12, 13
3	Tactile-touch Control Knobs (One For Each Surface Burner)	8, 10
4	Burner "ON" Indicator Lights (One On Each Control Knob)	8
5	Burner Grates	11

Fuel/Gas Conversion

Model ZGU384N is shipped from the factory set for Natural Gas operation. Model ZGU384L is shipped from the factory set for Liquefied Petroleum (LP) Gas operation. If you have received the wrong type gas model for your installation situation, gas conversion orifices must be installed. Conversion orifices and complete instructions are packed with both models.

Features

(Throughout this manual, features and appearance may vary.)



ZGU385 – 36" Gas Cooktop

Feature Index		Page
1	Dual-Flame Spillproof Burners—High Output	9, 12, 13
2	Dual-Flame Spillproof Burners—X-High Output	9, 12, 13
3	Tactile-touch Control Knobs (One For Each Surface Burner)	8, 10
4	Burner "ON" Indicator Lights (One On Each Control Knob)	8
5	Burner Grates	11

Fuel/Gas Conversion

Model ZGU385N is shipped from the factory set for Natural Gas operation. Model ZGU385L is shipped from the factory set for Liquefied Petroleum (LP) Gas operation. If you have received the wrong type gas model for your installation situation, gas conversion orifices must be installed. Conversion orifices and complete instructions are packed with both models.

Electronic ignition & relight

The surface burners are lit by electronic ignition. All burner igniters make clicking sounds and spark even when only a single burner is being turned on. Do not touch any of the burners when the igniters are clicking.

The burners on this cooktop relight automatically if the flame goes out. This helps prevent the inconvenience of having to manually relight a burner.

Occasionally, the burners may spark if excess wind or draft blows the flame away from the burner's flame sensor.

In case of a power outage, you can light the surface burners on your cooktop with a match. Hold a lighted match to the burner; then turn the knob to the HIGH position. **Use extreme caution when lighting burners this way.**

To light a burner

Push the control knob down and turn it **counterclockwise** to the desired position from HI to LO or simmer (SIM).

After the burner ignites, turn the knob in either direction to adjust the flame size.

To turn a burner off, turn the knob clockwise, as far as it will go, to the OFF position.

- All of the burners can be used for both general cooking and simmering.
- The X-High setting is intended for use with 10" or larger cookware.
- Do not operate a burner for an extended period of time without cookware on the grate. The finish on the grate may chip without cookware to absorb the heat.

- Be sure the burners and grates are cool before you place your hand, a pot holder, cleaning cloth or other materials on them.
- The indicator light on each knob verifies the burner is "ON"; however, it should not be a substitute for visually checking the flame at the burner.
- Be sure you turn the control knob to "OFF" when cooking is complete.

How to select flame size

Watch the flame, not the knob, as you reduce heat.

The flame size on a gas burner should match the cookware you are using.

FOR SAFE HANDLING OF COOKWARE, NEVER LET THE FLAME EXTEND UP THE SIDES OF THE COOKWARE. Any flame larger than the bottom of the cookware is wasted and only serves to heat the handle.



NOTE: The X-High setting produces an extra large flame. Use 10" or larger diameter cookware when using high heat settings.

Cookware

Aluminum: Medium-weight cookware is recommended because it heats quickly and evenly. Most foods brown evenly in aluminum cookware. Use saucepans with tight-fitting lids for cooking with minimum amounts of water.

Cast Iron: If heated slowly, most cookware will give satisfactory results.

Enamelware: Under some conditions, the enamel of some cookware may melt. Follow cookware manufacturer's recommendations for cooking methods.

Glass: There are two types of glass cookware—those for oven use only and those for surface cooking (saucepans, coffee and teapots). Glass conducts heat very slowly.

Heatproof Glass-Ceramic: Can be used for either surface or oven cooking. It conducts heat very slowly and cools very slowly. Check cookware manufacturer's directions to be sure it can be used on gas cooktops.

Stainless Steel: This metal alone has poor heating properties, and is usually combined with copper, aluminum or other metals for improved heat distribution. Combination metal cookware generally works satisfactorily if it is used at medium heat as the manufacturer recommends.

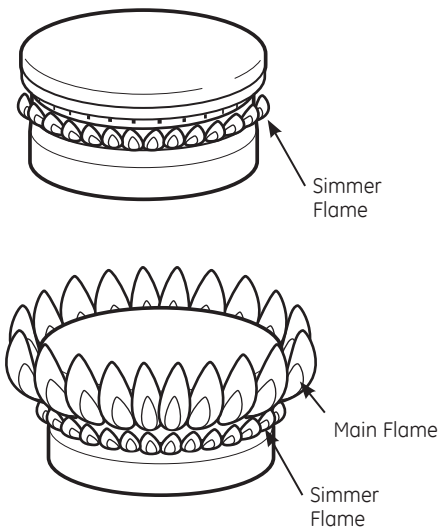
Dual-flame spill-proof burners

All burners on your cooktop have two rows of flames. These dual-flame burners have a simmer (lower) flame and a main (upper) flame.

When a burner is turned on, the simmer flame will always light and stay on.

Simmering: The simmer (SIM) setting will use only the lower flames. Use simmer (SIM) to melt chocolate, hold delicate sauces or for other foods requiring low simmer heat.

Primary Cooking: Settings from LO to HI will use both rows of flames. Use LO to HI for all purpose cooking.



General information

Proper care and cleaning are important so your cooktop will give you efficient and satisfactory service. Follow these directions carefully in caring for it.

Some cooktop models are provided with cleaners. Follow the instructions on the containers.

Before cleaning any part of your cooktop, be sure all burners are off and cool.

Stainless steel surfaces

Do not use a steel wool pad; it will scratch the surface.

To clean the stainless steel surface, use warm sudsy water, a stainless steel cleaner or an all-purpose liquid or spray cleaner. Always scrub in the direction of the grain. Rinse thoroughly with a sponge or cloth and clean water. Dry with a soft, clean cloth.

After cleaning, use a stainless steel polish, such as Stainless Steel Magic®, Revere Copper and Stainless Steel Cleaner® or Weno! All Purpose Metal Polish®. Follow the product instructions for cleaning the stainless steel surface.

Use a stainless steel brightener when stainless steel is exposed to high heat and has a yellow appearance. Stainless steel cleaner is for other cleaning. Follow the product instructions for proper cleaning methods. If you need an additional supply, you can purchase them by calling **800.626.2002**.

Control knobs

The control knobs may be removed for cleaning.

To remove knob, pull it straight up.

The knobs have a tactile grip surface, but no special cleaning is required.

Wash the knobs in soap and water but do not soak. Avoid getting water down into the knob stem holes.

Replace the knobs after drying.

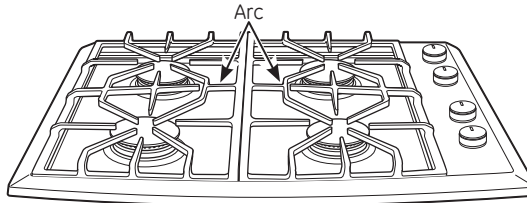
DO NOT attempt to clean your knobs in a dishwasher.

NOTE: The knob stem is "D" shaped. Replace the flat side of the knob onto the flat side of the stem.

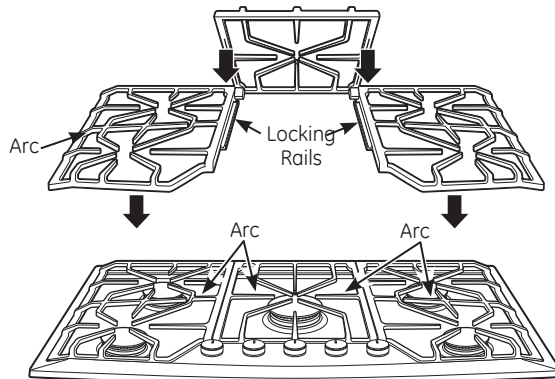
Burner grates

Cast-iron burner grates should be washed regularly and especially after spillovers. Wash them in hot, soapy water and rinse with clean water. Dry grates with a clean cloth. The grates may also be cleaned in a dishwasher.

When replacing grates, be sure that they are positioned securely over the burners.



Model ZGU384: Replace the two side grates so that a continuous "arc" is formed with the center ribs of both grates. Make sure both grates are stable and level.



Model ZGU385: Replace the two side grates with their locking rails toward the center grate so that a continuous "arc" is formed with the center ribs of all three grates. Make sure the center grate is locked into position over the rails on the side grates and that all grates are stable and level.

To get rid of burned-on food, place the grates in a covered container or plastic bag. Add 1/4 cup of ammonia and let them soak for 30 minutes. Wash, rinse well and dry.

Although they are durable, the grates will gradually lose their shine, regardless of the best care you can give them. This is due to their continual exposure to high temperatures.

Do not operate a burner for an extended period of time without cookware on the grate. The finish on the grate may chip without cookware to absorb the heat.

Rubber Grate Feet

For stability, the base of your grates has rubber feet. If any of these feet should become damaged or lost, replace them immediately.

To order replacement rubber grate feet, please call our toll-free number:

National Parts Center 800.626.2002

Rubber Grate Feet Part No. #WB02T10101

Dual-flame spill-proof burners

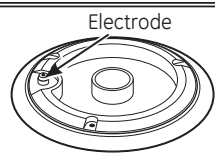
The burner consists of three parts: the burner base, burner head and burner cap. The burner head and burner cap can be lifted off, making them easy to clean.

CAUTION: DO NOT OPERATE THE BURNER WITHOUT ALL BURNER PARTS IN PLACE.

You should clean the surface burners routinely, especially after bad spillovers, which could clog the slots and holes in the burner heads. A sewing needle or wire twist-tie works well to unclog these openings.

All slots and holes in the burner head must be kept clean at all times for proper ignition and an uneven, unhampered flame.

The electrode is located on one side of each burner. **When one burner is "ON", all burners will spark.** Do not attempt to disassemble or clean around any burner while another burner is on. An electric shock may result, which could cause you to knock over hot cookware.



Cleaning

Lift off burner parts only when cool (see next page). Wash in hot, soapy water. You may use a plastic scouring pad to remove burned-on food particles.

To remove burned-on food, soak the burner heads in a solution of mild liquid detergent and hot water for 20–30 minutes. For more stubborn stains, use a plastic scouring pad or toothbrush.

If the spill goes inside the burner head assembly, wash it under running water and shake to remove excess water.

After Cleaning

Before replacing the burner parts, shake out excess water and then dry them thoroughly.

Dual-flame spill-proof burners (cont.)

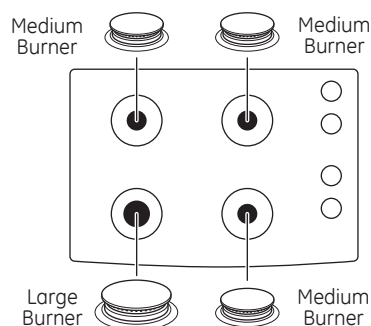
To remove the burner parts:

NOTE: Before removing the burner parts, remember their size and location. Replace them in the same location after cleaning for proper burner operation.

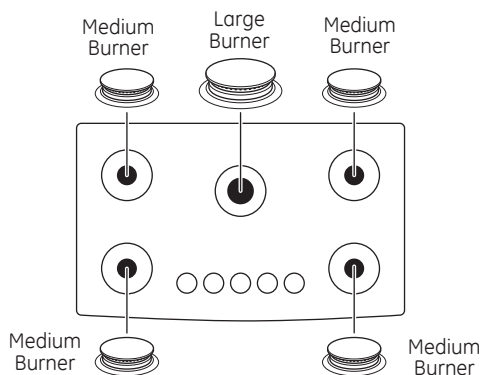
1. Turn all controls **OFF** before removing any burner parts.
2. When cool, you may lift off the burner grates, burner caps and burner heads for easier cleaning. Do not remove the burner bases.

To replace the burner parts:

Make sure that the burner parts are replaced in the correct location.



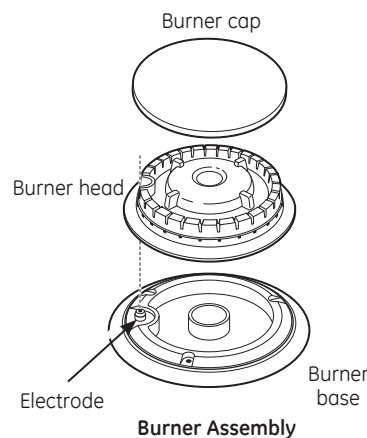
On model ZGU384, there is one large burner head and burner cap and three sets of medium burner heads and burner caps.



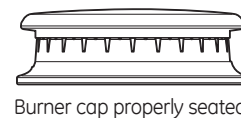
On model ZGU385, there is one large burner head and burner cap and four sets of medium burner heads and burner caps.

These burner parts are not interchangeable.

1. Replace the burner head on top of the burner base, making sure that the hole in the burner head is properly aligned with the electrode in the burner base. A small gap between the base and head is normal.



2. Place the burner cap on top of the burner head. Make sure that the burner cap is properly seated on the burner head.



Burner Cap Alignment

Electronic ignition & relight electrodes

The electrode of the electronic ignition system is positioned above the surface of the burner base. When cleaning the cooktop, be careful not to snag the igniter with your cleaning cloth. Damage to the igniter could occur.

Be careful not to push in a control knob while cleaning. It could cause the igniter to spark.

Make sure that the white ceramic igniters on the cooktop are dry and clean. Clean the metal portion of the electrode with a soft cloth.

Cooktop Electrode




Clean this metal part



Do not clean this
white ceramic part
with an emery board

NOTE: Do not attempt to remove the electrode from the cooktop.

Questions?
Before you
call for
service...

PROBLEM	POSSIBLE CAUSE
<p>BURNERS DO NOT LIGHT OR SPARK RANDOMLY</p>	<ul style="list-style-type: none"> • Make sure electrical plug is plugged into a live power outlet. • Burner parts not replaced correctly. • Slits in the burner heads may be clogged.
<p>BURNERS HAVE YELLOW OR YELLOW-TIPPED FLAMES</p>	<ul style="list-style-type: none"> • Burner parts not replaced correctly. See the sealed burner assemblies section. • The combustion quality of burner flames needs to be determined visually. <div style="display: flex; justify-content: space-around; align-items: flex-start;"> <div style="text-align: center;">  <p>A. Yellow flames: Call for service.</p> </div> <div style="text-align: center;">  <p>B. Yellow tips on outer cones: Normal for LP gas.</p> </div> <div style="text-align: center;">  <p>C. Soft blue flames: Normal for natural gas.</p> </div> </div> <ul style="list-style-type: none"> • If burner flames look like (A), call for service. Normal burner flames should look like (B) or (C), depending on the type of gas. With LP gas, some yellow tipping on outer cones is normal.
<p>BURNER FLAMES VERY LARGE OR YELLOW</p>	<ul style="list-style-type: none"> • Cooktop may be connected to wrong fuel type. Contact the person who installed your cooktop or made the conversion.
<p>BURNER CONTROL KNOB WILL NOT TURN</p>	<ul style="list-style-type: none"> • When the knob is at the OFF position, it must be pushed down before it can be turned, and it can only be turned in a counterclockwise direction. When the knob is at any other position, it can be turned in either direction without being pushed in.

With the purchase of your new Monogram appliance, receive the assurance that if you ever need information or assistance from GE, we'll be there. All you have to do is call—toll-free!

GE Answer Center®

***In the USA:
800.626.2000***

Whatever your question about any Monogram major appliance, GE Answer Center® information service is available to help. Your call—and your question—will be answered promptly and courteously. Call the GE Answer Center® Monday to Friday, 8 a.m. to 10 p.m. EST, and Saturday, 8 a.m. to 7 p.m. EST.

OR

Visit our Website at: monogram.com

In Canada, call 1.800.561.3344.

Monogram Preferred Service

***In the USA:
800.444.1845***

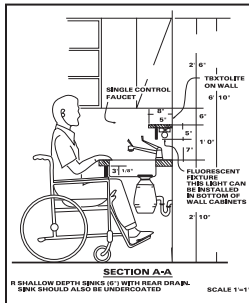
***In Canada:
1.800.561.3344***

A GE consumer service professional will provide expert repair service, scheduled at a time that's convenient for you. To schedule service, call Monday to Friday, 7 a.m. to 10 p.m. EST, or Saturday and Sunday, 8 a.m. to 6 p.m. EST. Many GE Consumer Service company-operated locations offer you service today or tomorrow, or at your convenience. Our factory-trained technicians know your appliance inside and out—so most repairs can be handled in just one visit.

In Canada: Monday to Friday, 7:00 a.m. to 8:00 p.m. and Saturday, 8:00 a.m. to 5:00 p.m. EDST.

For Customers With Special Needs...

***In the USA:
800.626.2000***



GE offers, free of charge, a brochure to assist in planning a barrier-free kitchen for persons with limited mobility.

Consumers with impaired hearing or speech who have access to a TDD or a conventional teletypewriter may call 800.TDD.GEAC (800.833.4322) to request information or service.

Service Contracts

***In the USA:
800.626.2224***

***In Canada:
1.800.561.3344***

You can have the secure feeling that GE Consumer Service will still be there after your warranty expires. Purchase a GE contract while your warranty is still in effect and you'll receive a substantial discount. With a multiple-year contract, you're assured of future service at today's prices.

Parts and Accessories

***In the USA:
800.626.2002***

***In Canada:
1.800.561.3344***

Individuals qualified to service their own appliances can have parts or accessories sent directly to their home. The GE parts system provides access to over 47,000 parts...and all GE Genuine Renewal Parts are fully warranted. VISA, MasterCard and Discover cards are accepted.

User maintenance instructions contained in this manual cover procedures intended to be performed by any user. Other servicing generally should be referred to qualified service personnel. Caution must be exercised, since improper servicing may cause unsafe operation.

YOUR MONOGRAM COOKTOP WARRANTY

Staple sales slip or cancelled check here. Proof of original purchase date is needed to obtain service under warranty.

WHAT IS COVERED

From the Date of the Original Purchase

LIMITED ONE-YEAR WARRANTY

For one year from date of original purchase, we will provide, free of charge, parts and service labor in your home to repair or replace **any part of the cooktop** that fails because of a manufacturing defect.

.....
This warranty is extended to the original purchaser and any succeeding owner for products purchased for ordinary home use in the 48 mainland states, Hawaii, Washington, D.C. or Canada. If the product is located in an area where service by a GE Authorized Servicer is not available, you may be responsible for a trip charge or you may be required to bring the product to an Authorized GE Service location for service. In Alaska the warranty is the same except that it is LIMITED because you must pay to ship the product to the service shop or for the service technician's travel costs to your home.

All warranty service will be provided by our Factory Service Centers or by our authorized Customer Care® servicers during normal working hours.

Should your appliance need service, during warranty period or beyond, in the USA call 800.444.1845. In Canada: 800.561.3344. Please have your serial number and model number available when calling for service.

WHAT IS NOT COVERED

- Service trips to your home to teach you how to use the product.
- Improper installation, delivery or maintenance.
If you have an installation problem, contact your dealer or installer. You are responsible for providing adequate electrical, gas, exhausting and other connecting facilities as described in the Installation Instructions provided with the product.
- Replacement of house fuses or resetting of circuit breakers.
- Damage to the product due to misuse or abuse.
- Failure of the product if it is used for other than its intended purpose or used commercially.
- Damage to product caused by accident, fire, floods or acts of God.
- Incidental or consequential damage caused by possible defects with this appliance.
- Damage caused after delivery.
- Product not accessible to provide required service.

EXCLUSION OF IMPLIED WARRANTIES—Your sole and exclusive remedy is product repair as provided in this Limited Warranty. Any implied warranties, including the implied warranties of merchantability or fitness for a particular purpose, are limited to one year or the shortest period allowed by law.

Some states/provinces do not allow the exclusion or limitation of incidental or consequential damages, so the above limitation or exclusion may not apply to you. This warranty gives you specific legal rights, and you may also have other rights which vary from state to state/province to province. To know what your legal rights are in your state/province, consult your local or state/provincial consumer affairs office or your state's Attorney General.

Warrantor in USA: General Electric Company, Louisville, KY 40225

Warrantor in Canada: Mabe Canada Inc.



GE Consumer & Industrial
Appliances
General Electric Company
Louisville, KY 40225
monogram.com

Introduction

Votre nouvelle surface de cuisson Monogram allie un style éloquent, une grande commodité et toute la souplesse requise pour une planification facile de votre cuisine. Que vous l'ayez choisie pour la pureté de sa ligne, ses fonctions pratiques, l'attention apportée aux détails ou pour toutes ces raisons, vous découvrirez que l'agencement perfectionné entre forme et fonction de votre surface de cuisson Monogram vous ravira pendant des années.

Votre surface de cuisson Monogram est conçue pour vous procurer la flexibilité d'un parfait mélange avec vos armoires de cuisine. Son design élégant s'intégrera magnifiquement à votre cuisine.

Les informations contenues dans les pages suivantes vous aideront à faire fonctionner et à entretenir correctement votre surface de cuisson.

Contenu

Entretien et nettoyage

Allumage électronique et électrodes de réallumage.....	32
Boutons de contrôle.....	28
Brûleurs à flamme double à l'épreuve des débordements.....	30, 31
Grilles du brûleur.....	29
Surfaces en acier inoxydable.....	28

Service à la clientèle

Avant d'appeler le service.....	33
Garantie.....	36
Instructions de sécurité.....	21-23
Numéros de modèle et de série.....	20
Numéros de téléphone importants.....	35

Utiliser votre surface de cuisson

Allumage et réallumage électronique.....	26
Brûleurs à flamme double à l'épreuve des débordements.....	27
Caractéristiques.....	24, 25
Conversion carburant/gaz.....	24, 25
Porcelaine.....	27
Pour allumer un brûleur.....	26
Taille de la flamme.....	26

⚠ AVERTISSEMENT : Si les informations de ce manuel ne sont pas suivies à la lettre, un incendie ou une explosion peut résulter et causer des dommages matériels, des blessures ou la mort.

- Ne stockez pas ou n'utilisez pas de l'essence ou d'autres vapeurs ou liquides inflammables à proximité de cet appareil électrique ou de tout autre.
- Ne pas installer ce produit si l'on utilise une hotte à rideau d'air ou une hotte de cuisinière soufflant l'air audessus de la surface de cuisson. Le débit d'air peut nuire au fonctionnement des brûleurs à gaz et représente un risque d'incendie ou d'explosion.
- **QUE FAIRE SI VOUS SENTEZ DU GAZ**
 - N'essayez pas d'allumer un appareil quelconque.
 - Ne touchez aux interrupteurs électriques ; n'utilisez pas les téléphones de votre immeuble.
 - Appelez immédiatement votre fournisseur de gaz à partir du téléphone d'un voisin. Suivez les instructions du fournisseur de gaz.
 - Si vous ne pouvez pas contacter votre fournisseur de gaz, appelez les pompiers.
- L'installation et l'entretien doivent être effectués par un installateur qualifié, une agence d'entretien ou le fournisseur du gaz.

Avant d'utiliser votre surface de cuisson

Lisez attentivement ce manuel. Il est conçu pour vous aider à faire fonctionner et à entretenir correctement votre nouvelle surface de cuisson.

Gardez-le à portée de la main pour répondre à vos questions.

S'il y a quelque chose que vous ne comprenez pas ou si vous avez besoin d'aide, vous trouverez une liste de numéros de service à la clientèle gratuits à la section arrière de ce manuel.

OU

visitez notre site Web à : **monogram.com**

Prenez note des numéros de modèle et de série

Vous les trouverez sur une étiquette sous la surface de cuisson.

Remplissez et retournez la carte d'inscription du produit qui est emballée avec cet appareil.

Avant d'envoyer la carte, veuillez inscrire les numéros ici :

Numéro de modèle

Numéro de série

Utilisez ces numéros pour toute correspondance ou tout appel de service au sujet de votre surface de cuisson.

Si vous recevez une surface de cuisson endommagée

Contactez immédiatement le détaillant (ou le constructeur) qui vous a vendu la surface de cuisson.

Gagnez du temps et économisez

Lisez attentivement ce manuel. Vous y trouverez de nombreux trucs utiles sur la façon d'utiliser et d'entretenir adéquatement votre surface de cuisson. Un minimum d'entretien préventif de votre part peut vous faire gagner du temps et économiser tout au long de la durée de vie de votre surface de cuisson.

Vous trouverez de nombreuses réponses aux problèmes courants dans la section Avant d'appeler le service. Consultez notre tableau de conseils de dépannage d'abord, peut-être n'aurez-vous pas à appeler le service après tout.

Si vous avez besoin de service d'entretien ou de réparation

Pour obtenir le service, reportez-vous aux pages du service à la clientèle à l'arrière de ce manuel.

Nous sommes fiers de notre service et nous tenons à votre satisfaction. Si pour quelque raison que ce soit vous n'êtes pas satisfait du service reçu, voici les étapes à suivre pour obtenir de l'aide supplémentaire.

D'ABORD, prenez contact avec les personnes qui ont réparé votre appareil. Expliquez votre insatisfaction. Dans la plupart des cas, cette démarche résoudra le problème.

ENSUITE, si vous êtes toujours insatisfait, envoyez tous les détails—y compris votre numéro de téléphone—à :

Manager, Customer Relations
GE Appliances
Appliance Park
Louisville, KY 40225

INSTRUCTIONS DE SÉCURITÉ IMPORTANTES

PRÉCAUTIONS DE SÉCURITÉ

AVIS IMPORTANT DE SÉCURITÉ :

- **La loi de l'état de Californie sur l'eau potable sécurisée et l'application des lois sur les produits toxiques** exige que le Gouverneur de Californie publie une liste de substances qui, selon les connaissances de l'état, causent le cancer, les maladies congénitales ou autre lésion reproductive, et exige que les entreprises avertissent leurs clients de leur exposition potentielle à de telles substances.

- **Les appareils à gaz peuvent causer une exposition mineure à quatre de ces substances**, soit le benzène, le monoxyde de carbone, le formaldéhyde et la suie, surtout à cause de la combustion incomplète du gaz naturel ou des carburants PL.

Des brûleurs correctement ajustés, ce qui est indiqué par des flammes bleuâtres plutôt que jaunes, réduiront au minimum la combustion incomplète. L'exposition à ces substances peut être réduite davantage en aérant avec une fenêtre ouverte ou en utilisant le ventilateur d'aération.

- **Lorsque vous recevez votre cuisinière, demandez à l'installateur de vous montrer l'emplacement de la soupape d'arrêt et la façon de la fermer en cas de besoin.**
- **Demandez à un installateur qualifié d'installer et de mettre à la terre correctement votre cuisinière**, conformément aux instructions d'installation. Tout ajustement ou entretien doit être effectué seulement par des installateurs de cuisinière à gaz qualifiés ou des techniciens de service.
- **Branchez votre cuisinière seulement sur une prise de 120 volts mise à la terre.** Ne retirez pas la broche ronde de mise à la terre de la prise. En cas de doute concernant la mise à la terre du système électrique de la résidence, vous assumez la responsabilité et l'obligation personnelles de faire remplacer toute prise non mise à la terre par une prise à trois broches correctement mise à la terre conformément au Code national de l'électricité. N'utilisez pas de rallonge de câble avec cet appareil.
- **Assurez-vous que tous les matériaux d'emballage sont retirés de la cuisinière** avant de la mettre en marche, pour empêcher les dommages d'incendie et de fumée au cas où le matériau d'emballage s'enflammerait.
- **Assurez-vous que la cuisinière est ajustée correctement par un technicien de service ou un installateur qualifié en fonction du type de gaz (naturel ou PL) qui sera utilisé.**

- **N'essayez pas de réparer ou de remplacer toute pièce de la cuisinière sauf si cela est spécifiquement recommandé dans ce manuel.** Toutes les autres actions de service doivent être référées à un technicien qualifié.
- **Ne laissez pas les enfants seuls ou non surveillés lorsqu'une cuisinière est chaude ou en marche.** Ils pourraient être brûlés grièvement.

- **ATTENTION :** Les articles suscitant l'intérêt des enfants ne doivent pas être rangés dans les armoires au-dessus de la cuisinière—les enfants grim pant sur la cuisinière pour saisir ces articles pourraient être grièvement blessés.

AVERTISSEMENT :

N'utilisez **JAMAIS** cet appareil pour réchauffer votre maison. Si vous le faites, vous risquez d'occasionner un empoisonnement par monoxyde de carbone et de surchauffer la cuisinière.

- **Nettoyez la cuisinière avec précaution.** Si une éponge ou un chiffon mouillé est utilisé pour essuyer les renversements sur une cuisinière chaude, faites attention d'éviter les brûlures causées par la vapeur.
- **Ne nettoyez pas la cuisinière avec des nettoyants inflammables ou volatils.**
- **Ne nettoyez pas la cuisinière lorsqu'elle est en marche.**
- **Évitez de rayer la cuisinière** avec des instruments pointus ou avec des bagues ou d'autres bijoux.
- **Laissez refroidir les grilles des brûleurs et les autres surfaces avant de les toucher ou de les laisser là où les enfants peuvent les atteindre.**
- **N'utilisez jamais la cuisinière comme planche à découper.**
- **Ne portez jamais de vêtements lâches ou amples lorsque vous utilisez cet appareil.** Faites attention pour saisir des articles rangés dans les armoires au-dessus de la cuisinière. La matière inflammable peut s'enflammer si elle entre en contact avec les flammes ou les surfaces chaudes et peut causer des brûlures graves.
- **Pour votre sécurité, n'utilisez jamais votre appareil pour chauffer ou réchauffer la pièce.**

INSTRUCTIONS DE SÉCURITÉ IMPORTANTES

PRÉCAUTIONS DE SÉCURITÉ

- **N'utilisez pas de l'eau sur les incendies de graisse. Ne saisissez jamais une poêle enflammée.** Arrêtez les contrôles. Etouffez les flammes d'une poêle placées sur un brûleur de surface en la recouvrant entièrement d'un couvercle bien ajusté, d'un plateau à gâteau ou d'un plateau plat. Utilisez un extincteur à produit chimique sec multi-usages ou du type à mousse.
Le graisse enflammée à l'extérieur d'une poêle peut être éteinte en la couvrant de bicarbonate de soude ou, s'il est disponible, en utilisant un extincteur à produit chimique sec multi-usages ou du type à mousse.
- **Ne stockez pas de matière inflammable près de la cuisinière.** Ne stockez pas et n'utilisez pas d'essence ou d'autres vapeurs ou liquides inflammables à proximité de cet appareil ou de tout autre.
- **Ne laissez pas la graisse de cuisson ou autre matière inflammable s'accumuler sur ou près de la cuisinière.**
- **Ne laissez jamais les brûleurs de surface sans surveillance lorsqu'ils sont réglés pour des flammes hautes.** Les débordements excessifs gras cause de la fumée et des renversements gras qui pourraient s'enflammer.
- **Ajustez la taille des flammes des brûleurs de surface pour qu'elles ne dépassent pas du bord du conteneur.** Les flammes excessives sont dangereuses.
- **Utilisez seulement des gants secs pour saisir les plats**—les gants humides ou mouillés placés sur des surfaces chaudes peuvent causer des brûlures dues à la vapeur. Ne mettez pas les gants près des flammes vives pour soulever les plats. N'utilisez pas de serviette ou autre chiffon encombrant au lieu des gants de plat.
- **Pour réduire au minimum la possibilité de brûlures,** d'inflammation de matière inflammable et de renversement, tournez les poignées des plats vers le côté ou le centre de la cuisinière, sans les placer au-dessus d'un brûleur adjacent ou une zone d'aération.
- **Arrêtez toujours les brûleurs de surface avant de retirer les plats.**
- **Les aliments à frire doivent être aussi secs que possible.** Le gel des aliments congelés ou l'humidité des aliments frais peut causer le bouillonnement des matières grasses chaudes et leur déversement sur le côté de la poêle.
- **Utiliser la quantité de graisse la plus faible possible pour la friture à la poêle ou à la friteuse.** Si l'ustensile est trop rempli de graisse, celle-ci peut déborder lorsque les aliments sont ajoutés.
- **Observez avec soin les aliments frits sur flammes hautes.**
- **Si un mélange d'huile et de matières grasses va être utilisé pour la friture,** mélangez avant le chauffage ou à mesure que les matières grasses fondent lentement.

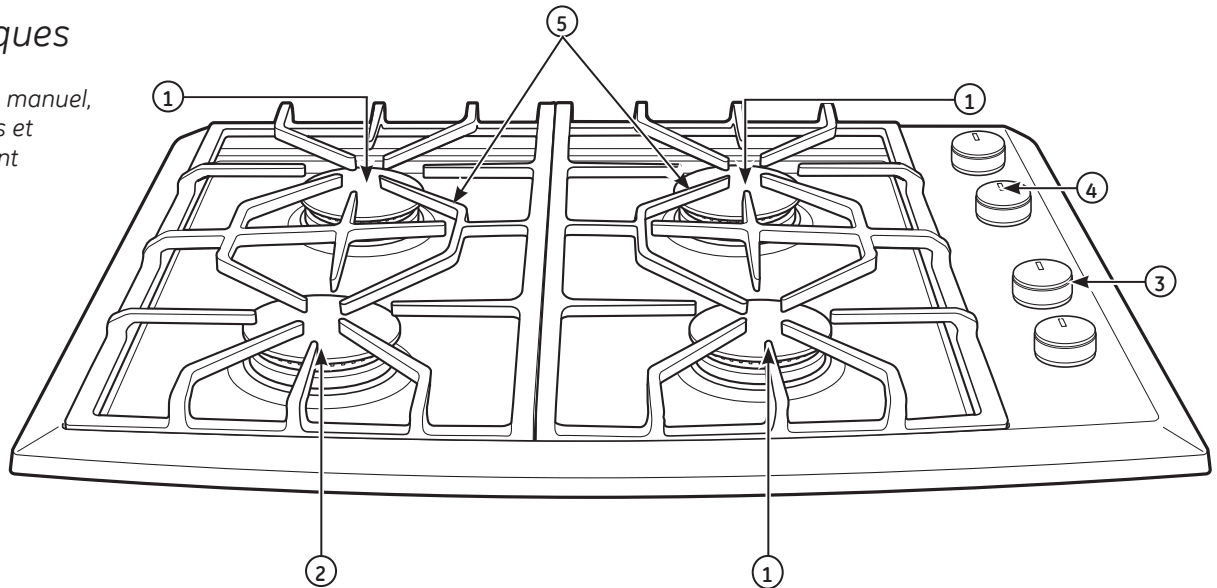
INSTRUCTIONS DE SÉCURITÉ IMPORTANTES

- **N'utilisez jamais un wok sur la surface de cuisson si le wok a une bague ronde en métal** placée pour le soutenir sur la grille du brûleur. Cette bague est un piège à chaleur, qui peut endommager la grille et la tête de brûleur. Cela peut également occasionner un mauvais fonctionnement du brûleur. Elle peut également augmenter le gaz carbonique à un niveau supérieur à celui permis par les normes actuelles, ce qui est dangereux pour la santé.
- **Réchauffez toujours lentement les matières grasses** et observez leur réchauffement.
- **Utilisez un thermomètre de friteuse lorsque cela est possible** pour empêcher de surchauffer les matières grasses au-delà de leur point de fumée.
- **Ne flambez pas les aliments sur la surface de cuisson.** Si vous le faites sous la hotte, mettez le ventilateur en marche.
- **Utiliser des poêles de taille appropriée—** évitez les poêles qui sont instables ou qui peuvent basculer facilement. Sélectionnez des ustensiles de cuisine avec des fonds plats, suffisamment grands pour pouvoir correctement contenir les aliments et éviter les débordements et les déversements, et suffisamment grands pour recouvrir les grilles des brûleurs. Cela réduira le temps de nettoyage et empêchera les accumulations dangereuses d'aliments, étant donné que les éclaboussures ou les déversements importants laissés sur la cuisinière peuvent s'enflammer. Utilisez des poêles avec des poignées qui peuvent être facilement saisies et qui restent froides.
- **Eloignez tous les matériaux en plastique des brûleurs.**
- **Pour éviter les risques de brûlures, assurez-vous toujours que les contrôles des brûleurs sont à la position d'arrêt et toutes les grilles sont froides avant d'essayer de retirer une grille.**
- **Si la cuisinière est située près d'une fenêtre,** n'utilisez pas de longs rideaux qui pourraient être projetés au-dessus des brûleurs et constituer un risque d'incendie.
- **Si vous sentez du gaz,** coupez l'arrivée du gaz à la cuisinière et appelez un technicien de service qualifié. N'utilisez jamais de flamme vive pour rechercher les fuites.
- **Ne couvrez pas et ne bloquez pas la zone autour des boutons de la cuisinière.** Cette zone doit rester dégagée pour assurer une bonne ventilation et une bonne performance des brûleurs.
- **Cuisez la viande et la volaille complètement—** la viande à une température INTERNE d'au moins 160°F, et la volaille à une température INTERNE d'au moins 180°F. La cuisson à ces températures protège en général contre les maladies causées par les aliments contaminés.

CONSERVEZ CES INSTRUCTIONS

Caractéristiques

(tout au long de ce manuel, les caractéristiques et l'apparence peuvent varier).



Surface de cuisson au gaz 30 po (76 cm) ZGU384

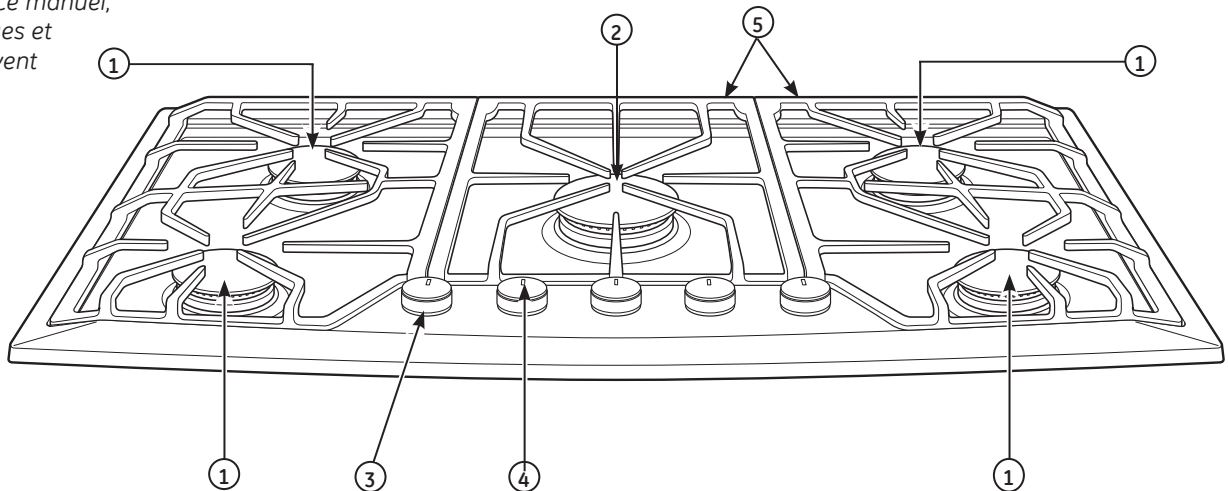
Index des caractéristiques		Page
1	Brûleurs à flamme double à l'épreuve des débordements—Rendement élevé	27, 30, 31
2	Brûleurs à flamme double à l'épreuve des débordements—Rendement extra élevé	27, 30, 31
3	Boutons de contrôle tactiles (un pour chaque brûleur de la surface)	26, 28
4	Témoins indicateurs de fonction « ON » du brûleur (un sur chaque bouton de contrôle)	26
5	Grilles du brûleur	29

Conversion carburant/gaz

Le modèle ZGU384N est expédié de l'usine, prêt pour un fonctionnement au gaz naturel. Le modèle ZGU384L est expédié de l'usine, prêt pour un fonctionnement au gaz de pétrole liquéfié (GPL). Si vous avez reçu le modèle inadéquat de type de gaz pour votre installation, des orifices de conversion de gaz doivent être installés. Les orifices de conversion de même que des instructions complètes sont emballés avec les deux modèles.

Caractéristiques

(tout au long de ce manuel, les caractéristiques et l'apparence peuvent varier).



Surface de cuisson au gaz 36 po (91 cm) ZGU385

Index des caractéristiques		Page
1	Brûleurs à flamme double à l'épreuve des débordements—Rendement élevé	27, 30, 31
2	Brûleurs à flamme double à l'épreuve des débordements—Rendement extra élevé	27, 30, 31
3	Boutons de contrôle tactiles (un pour chaque brûleur de la surface)	26, 28
4	Témoins indicateurs de fonction « ON » du brûleur (un sur chaque bouton de contrôle)	26
5	Grilles du brûleur	29

Conversion carburant/gaz

Le modèle ZGU385N est expédié de l'usine, prêt pour un fonctionnement au gaz naturel. Le modèle ZGU385L est expédié de l'usine, prêt pour un fonctionnement au gaz de pétrole liquéfié (GPL). Si vous avez reçu le modèle inadéquat de type de gaz pour votre installation, des orifices de conversion de gaz doivent être installés. Les orifices de conversion de même que des instructions complètes sont emballés avec les deux modèles.

Allumage et réallumage électronique

Les brûleurs de surface s'allument électroniquement.

Tous les allumeurs des brûleurs émettent un bruit de cliquetis et une étincelle même lorsqu'un seul brûleur est allumé. Ne touchez aucun des brûleurs lorsque les allumeurs font entendre un cliquetis.

Les brûleurs de cette surface de cuisson se réallument automatiquement si la flamme s'éteint. Ainsi, vous n'aurez jamais besoin de réallumer manuellement un brûleur.

Occasionnellement, les brûleurs peuvent faire des étincelles si un excès de vent ou un courant d'air souffle la flamme loin du capteur de flamme du brûleur.

Pour allumer un brûleur

Poussez le bouton de contrôle vers le bas tout en le tournant dans le sens **antihoraire** jusqu'à la position désirée, entre HI et LO ou à mijoter (SIM).

Une fois le brûleur allumé, tournez le bouton dans l'une ou l'autre direction pour ajuster la taille de la flamme.

Pour éteindre un brûleur, tournez le bouton dans le sens horaire, aussi loin que possible, jusqu'à la position OFF.

- Tous les brûleurs peuvent être utilisés pour la cuisson générale et le mijotage.
- Le réglage X-High est conçu pour une utilisation avec des casseroles de 10 po (25 cm) ou plus.
- Ne faites pas fonctionner le brûleur pendant longtemps sans qu'il n'y ait une casserole sur la grille. Le fini de la grille pourrait s'écailler sans casserole pour absorber la chaleur.

Comment choisir la taille de la flamme

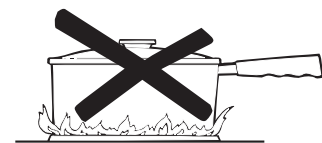
Surveillez la flamme, non pas le bouton, lorsque vous réduisez la chaleur.

La taille de la flamme d'un brûleur au gaz doit convenir au type de casserole utilisée.

POUR UNE MANIPULATION SANS DANGER DES CASSEROLES, NE LAISSEZ JAMAIS LES FLAMMES MONTER LE LONG DES CÔTÉS DES CASSEROLES. Toute flamme plus large que le bas de la casserole est du gaspillage et ne sert qu'à chauffer la poignée.

Dans le cas d'une panne de courant, vous pouvez allumer les brûleurs de votre surface de cuisson avec une allumette. Tenez l'allumette allumée près du brûleur, puis tournez le bouton à la position HIGH. **Soyez prudent lorsque vous allumez les brûleurs de cette façon.**

- Assurez-vous que les brûleurs et les grilles soient refroidis avant d'y déposer la main, une poignée de cuisine, des chiffons de nettoyage ou autres matériaux.
- Le témoin indicateur de chaque bouton indique que le brûleur est en marche (ON) ; toutefois, il ne doit pas représenter un substitut à la vérification visuelle de la flamme au brûleur.
- Assurez-vous de tourner le bouton de contrôle à la position « OFF » à la fin de la cuisson.



REMARQUE : le réglage X-High produit une flamme de taille supérieure. Utilisez des casseroles de 10 po (25 cm) lorsque vous utilisez ce réglage.

Porcelaine

Aluminium : Une batterie de cuisine de poids moyen est recommandée, car elle chauffe rapidement et uniformément. La plupart des aliments grillent également dans une casserole d'aluminium. Utilisez des poêlons à couvercle hermétique et cuisinez avec de petites quantités d'eau.

Fonte : si elles sont lentement chauffées, la plupart des casseroles vous donneront des résultats satisfaisants.

Métal émaillé : sous certaines conditions, l'émail de certaines batteries de cuisine pourrait fondre. Suivez les recommandations du fabricant de batteries de cuisine pour les méthodes de cuisson.

Verre : il y a deux types de batteries de cuisine de verre—celle pour le four seulement et celle pour la cuisson sur la cuisinière (poêlons, café et thé). Le verre conduit la chaleur très lentement.

Céramique de verre résistante à la chaleur

: sert à la cuisson de surface ou au four. Elle conduit la chaleur très lentement et se refroidit très lentement. Vérifiez les directives du fabricant de la batterie de cuisine pour être certain qu'elle puisse être utilisée avec les surfaces de cuisson au gaz.

Acier inoxydable : les propriétés de chauffage de ce métal seul sont médiocres et il est en général combiné avec le cuivre, l'aluminium ou d'autres métaux pour améliorer la répartition de chaleur. Les batteries de cuisine à combinaison de métal fonctionnent en général de façon satisfaisante si elles sont utilisées à chaleur moyenne ainsi qu'il est recommandé par le fabricant.

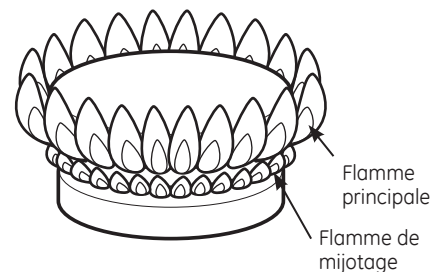
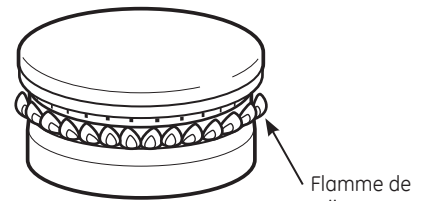
Brûleurs à flamme double à l'épreuve des débordements

Tous les brûleurs de votre surface de cuisson ont deux rangées de flammes. Ces brûleurs à flamme double possèdent une flamme de mijotage (inférieure) et une flamme principale (supérieure).

Lorsque le brûleur est allumé, la flamme de mijotage s'allume et reste allumée.

Mijotage : le réglage mijotage (SIM) utilisera uniquement les flammes inférieures. Utilisez la fonction de mijotage (SIM) pour faire fondre le chocolat, maintenir des sauces délicates ou autres aliments qui exigent une chaleur douce.

Cuisson principale : les réglages de LO à HI utilisent les deux rangées de flammes. Utilisez-les pour la cuisson générale.



Renseignements généraux

Un entretien et un nettoyage adéquats sont importants pour que votre surface de cuisson vous procure un service efficace et satisfaisant. Suivez soigneusement ces directives lors de l'entretien.

Certains modèles de surfaces de cuisson sont livrés avec des nettoyeurs. Suivez les instructions données sur les conteneurs.

Avant de nettoyer une partie de votre surface de cuisson, assurez-vous que tous les brûleurs sont éteints et refroidis.

Surfaces en acier inoxydable

N'utilisez pas de tampon de laine d'acier, car il égratignerait la surface.

Pour nettoyer la surface d'acier inoxydable, utilisez une eau tiède et savonneuse, un nettoyeur à acier inoxydable ou un nettoyeur tout-usage liquide ou en vaporisateur. Frottez toujours dans le sens du grain. Rincez à fond avec une éponge ou un chiffon et de l'eau propre. Séchez à l'aide d'un chiffon propre et doux.

Après le nettoyage, utilisez un poli à acier inoxydable, comme le Stainless Steel Magic®, Revere Copper and Stainless Steel Cleaner® ou le Wenol All Purpose Metal Polish®. Suivez les instructions du produit pour le nettoyage de la surface d'acier inoxydable.

Utilisez un éclaircissant à acier inoxydable lorsque ce dernier est exposé à des chaleurs élevées et présente une allure jaunie. Le nettoyeur pour acier inoxydable est destiné à d'autres types de nettoyage. Suivez les instructions du produit pour les méthodes de nettoyage appropriées. Pour tout supplément de fournitures, n'hésitez pas à composer le **800.561.3344**.

Boutons de contrôle

Les boutons de contrôle se retirent pour faciliter le nettoyage.

Pour retirer le bouton, tirez-le en ligne droite.

Les boutons possèdent une surface de saisie tactile, mais ils ne requièrent aucun nettoyage spécial.

Lavez-les à l'eau et au savon, mais ne les faites pas tremper. Évitez que l'eau ne pénètre dans les orifices des tiges de bouton.

Remplacez les boutons après les avoir fait sécher.

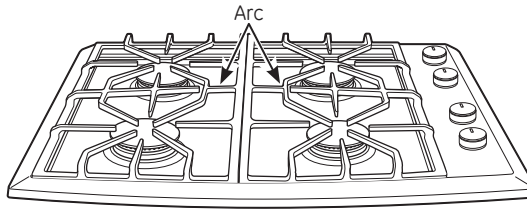
N'essayez PAS de laver les boutons au lave-vaisselle.

REMARQUE : la tige du bouton a la forme d'un « D ». Remplacez le côté plat du bouton du côté plat de la tige.

Grilles du brûleur

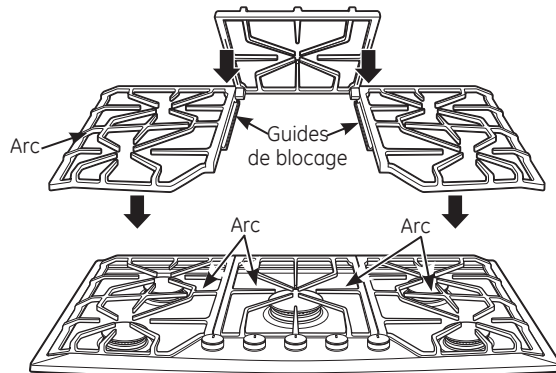
Les grilles de fonte du brûleur doivent être lavées régulièrement, en particulier après un débordement. Lavez-les à l'eau chaude et savonneuse, puis rincez-les à l'eau claire. Séchez les grilles à l'aide d'un chiffon propre et doux. Les grilles peuvent également être lavées au lave-vaisselle.

Lorsque vous les remplacez, assurez-vous qu'elles sont positionnées solidement par-dessus les brûleurs.



Modèle ZGU384 : remplacez les deux grilles latérales de façon à ce qu'un « arc » continu soit formé par les membrures centrales des deux grilles. Assurez-vous que les deux grilles sont stables et de niveau.

Modèle ZGU385 : remplacez les deux grilles



latérales de façon à ce que leurs guides de blocage soient dirigés vers la grille centrale afin que les membrures centrales des trois grilles forment un « arc » continu. Assurez-vous que la grille centrale est verrouillée par-dessus les guides des grilles latérales et que toutes les grilles sont stables et de niveau.

Pour les débarrasser des aliments cuits, placez les grilles dans un contenant couvert ou un sac de plastique. Ajoutez 1/4 tasse d'ammoniaque et laissez tremper pendant 30 minutes. Lavez, rincez et asséchez bien.

Bien que les grilles soient durables, elles perdront leur éclat graduellement peu importe leur entretien, à cause de leur exposition continue à des températures élevées.

Ne faites pas fonctionner le brûleur pendant longtemps sans qu'il n'y ait une casserole sur la grille. Le fini pourrait s'écailler sans casserole pour absorber la chaleur.

Pieds de grille de caoutchouc

À des fins d'assurer leur stabilité, la base de vos grilles a des pieds de caoutchouc. Si ces pieds sont endommagés ou perdus, remplacez-les immédiatement.

Pour commander des pieds de grille de caoutchouc de rechange, composez notre numéro sans frais :

National Parts Center 800.626.2002

N° de pièce pour pieds de grilles en caoutchouc N° WB02T10101

Brûleurs à flamme double à l'épreuve des débordements

Le brûleur est composé de trois parties : la base du brûleur, la tête du brûleur et le capuchon du brûleur. La tête et le capuchon du brûleur peuvent être retirés, ce qui facilite leur nettoyage.

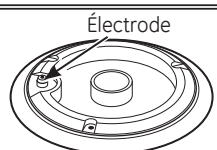
MISE EN GARDE : NE FAITES PAS FONCTIONNER LE BRÛLEUR SANS QUE TOUTES LES PIÈCES SOIENT EN PLACE.

Nettoyez régulièrement les brûleurs de la surface, en particulier s'il y a eu débordement, ce qui pourrait obstruer les fentes et orifices des têtes de brûleur. Une aiguille à coudre ou un fil métallique torsadé fonctionnent bien pour débloquer ces ouvertures.

Toutes les fentes et orifices de la tête de brûleur doivent être gardés propres en tout temps pour assurer un allumage adéquat et une flamme égale et forte.

L'électrode est située sur l'un des côtés de chacun des brûleurs. **Lorsque le brûleur est en marche (ON), tous les brûleurs produisent des étincelles.**

N'essayez pas de démonter un brûleur ou de nettoyer autour lorsqu'un autre brûleur est allumé. Un choc électrique pourrait en découler ce qui vous ferait peut-être renverser des casseroles brûlantes.



Nettoyage

Retirez les pièces du brûleur seulement lorsqu'elles sont refroidies (voir page suivante). Lavez-les à l'eau chaude et savonneuse. Vous pouvez utiliser un tampon à récurer en plastique pour éliminer les particules d'aliments cuits.

Pour retirer les aliments cuits, faites tremper les têtes du brûleur dans une solution de détergent doux et d'eau chaude pendant 20 à 30 minutes. Pour les taches tenaces, utilisez un tampon à récurer en plastique ou une brosse à dents.

Si le débordement a atteint la tête du brûleur, lavez-la à l'eau courante et secouez pour éliminer l'excès d'eau.

Après le nettoyage

Avant de replacer les pièces du brûleur, secouez l'excès d'eau, puis séchez à fond.

Brûleurs à flamme double à l'épreuve des débordements (suite)

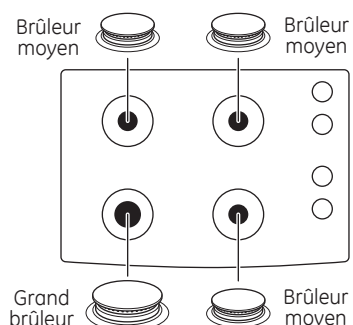
Pour retirer les pièces du brûleur :

REMARQUE : avant de retirer les pièces du brûleur, souvenez-vous de leur taille et de leur emplacement. Remplacez-les au même endroit après les avoir nettoyées pour assurer le fonctionnement adéquat du brûleur.

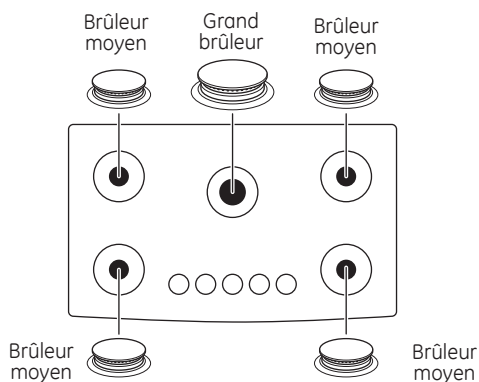
1. Éteignez toutes les commandes (**OFF**) avant de retirer les pièces du brûleur.
2. Lorsqu'elles sont refroidies, vous pouvez retirer les grilles, les capuchons et les têtes du brûleur pour faciliter le nettoyage. **Ne retirez pas les bases du brûleur.**

Pour replacer les pièces du brûleur :

Assurez-vous que les pièces du brûleur sont replacées au bon endroit.



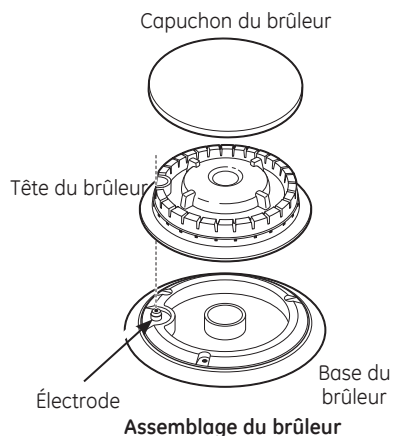
Le modèle ZGU384 possède une tête et un capuchon de brûleur de grande taille de même que trois jeux de têtes et de capuchons de brûleur de taille moyenne.



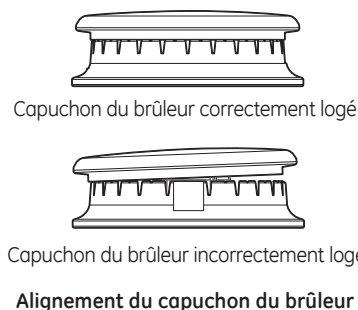
Le modèle ZGU385 possède une tête et un capuchon de brûleur de grande taille de même que quatre jeux de têtes et de capuchons de brûleur de taille moyenne.

Ces pièces de brûleur ne sont pas interchangeables.

1. Remplacez la tête du brûleur par-dessus la base, en vous assurant que l'orifice de la tête est correctement aligné avec l'électrode de la base. Un léger écart entre la base et la tête est normal.



2. Placez le capuchon du brûleur par-dessus la tête du brûleur. Assurez-vous qu'il est correctement logé sur la tête du brûleur.



Allumage électronique et électrodes de réallumage

L'électrode du système d'allumage électronique est placée au-dessus de la surface de la base du brûleur. Lorsque vous nettoyez la surface de cuisson, attention de ne pas vous accrocher dans l'électrode avec votre chiffon de nettoyage. Cela pourrait endommager l'allumeur.

Attention de ne pas enfoncer un bouton de contrôle lors du nettoyage. Cela pourrait déclencher l'allumeur.

Assurez-vous que les allumeurs de céramique blanche de la surface de cuisson sont propres et secs. Nettoyez la portion métallique de l'électrode à l'aide d'un chiffon doux.

Électrode de la surface de cuisson




Nettoyez cette pièce de métal



Ne nettoyez pas cette pièce de céramique blanche avec une lime-émeri

REMARQUE : n'essayez pas de retirer l'électrode de la surface de cuisson.

Questions ?
Avant
d'appeler
le service...

PROBLÈME	CAUSE POSSIBLE
LES BRÛLEURS NE S'ALLUMENT PAS OU S'ALLUMENT DE FAÇON ALÉATOIRE	<ul style="list-style-type: none"> Assurez-vous que la prise électrique est branchée dans une prise électrique alimentée. Les pièces du brûleur n'ont pas été correctement replacées. Les fentes des têtes de brûleur peuvent être obstruées.
LES BRÛLEURS PRODUISENT DES FLAMMES JAUNES OU DES FLAMMES DONT L'EXTRÉMITÉ EST JAUNE	<ul style="list-style-type: none"> Les pièces du brûleur n'ont pas été correctement replacées. Consultez la section Assemblages de brûleurs scellés. La qualité de combustion des flammes du brûleur doit être déterminée visuellement. <div style="display: flex; justify-content: space-around; align-items: flex-start;"> <div style="text-align: center;">  <p>A. Flammes jaunes : <i>appelez le service à la clientèle.</i></p> </div> <div style="text-align: center;">  <p>B. Extrémités jaunes sur les cônes extérieurs : <i>normal pour le GPL.</i></p> </div> <div style="text-align: center;">  <p>C. Flammes bleu doux : <i>normal pour le gaz naturel.</i></p> </div> </div> <ul style="list-style-type: none"> Si les flammes du brûleur ressemblent à celles illustrées à la figure (A), appelez le service. Les flammes de brûleur normales devraient ressembler à celles illustrées à la figure (B) ou (C), selon le type de gaz utilisé. Avec le gaz PL, les extrémités jaunes sur les cônes extérieurs sont normales.
LES FLAMMES DU BRÛLEUR SONT TRÈS GRANDES OU JAUNES	<ul style="list-style-type: none"> La surface de cuisson est peut-être branchée au mauvais type de gaz. Prenez contact avec la personne qui a installé votre surface de cuisson ou fait la conversion.
LE BOUTON DE CONTRÔLE DU BRÛLEUR NE TOURNE PAS	<ul style="list-style-type: none"> Lorsque le bouton est en position OFF, il doit être poussé vers le bas avant de le tourner et il peut être tourné uniquement dans le sens antihoraire. Lorsque le bouton est dans une autre position, il peut être tourné dans un sens ou dans l'autre sans avoir à le pousser.

Avec l'achat de votre nouvel appareil Monogram vous recevez aussi l'assurance que si vous avez besoin d'information ou d'aide de GE, nous serons là pour vous. Vous n'avez qu'à composer le numéro sans-frais !

GE Answer Center®

800.561.3344

Peu importe votre question au sujet des appareils électroménagers Monogram, le GE Answer Center® est là pour vous aider. Vous aurez les réponses à vos questions rapidement et de manière courtoise. Appelez au centre d'appels GE Answer Center^{MD} du lundi au vendredi entre 8 h 00 et 22 h 00 HNE, et le samedi entre 8 h 00 et 19 h 00 HNE.

OU

Visitez notre site Web au : monogram.com

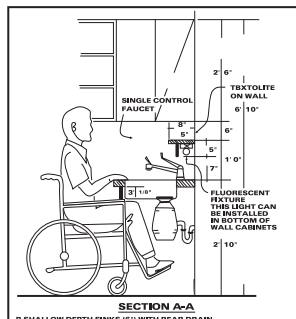
Le service de réparation In-Home

800.561.3344

Un professionnel du service à la clientèle GE vous fournira un service de réparation expert à un moment qui vous convient. Pour prendre rendez-vous, appelez entre 7 h 00 et 20 h 00 HNE en semaine, ou entre 8 h 00 et 17 h 00 HNE les samedis et dimanches. De nombreux endroits gérés par GE Consumer Service (service à la clientèle) vous offrent un service le jour même ou le lendemain ou selon ce qui vous convient. Nos techniciens formés en usine connaissent votre appareil de fond en comble et la plupart des réparations peuvent donc être réglées en une seule visite.

Pour les clients aux besoins spéciaux...

**Aux États-Unis :
800.626.2000**



GE offre sans frais une brochure pour aider à la planification d'une cuisine sans barrière pour les personnes à mobilité limitée.

Les clients malentendants ou ayant des difficultés d'élocution et qui ont accès à un ATME ou à un téléimprimeur traditionnel peuvent composer le 1.800.TDD.GEAC (1.800.833.4322) pour demander de l'information ou des services.

Contrats de service

800.561.3344

Ne vous inquiétez pas non plus pour le service après la fin de votre garantie, GE Consumer Service sera encore là. Achetez un contrat de GE avant la fin de votre garantie et vous bénéficierez d'un rabais important. Avec un contrat de plusieurs années, vous êtes assuré d'avoir un service futur aux prix actuels.

Pièces et accessoires

800.561.3344

Les personnes qualifiées pour la réparation de leurs propres appareils peuvent faire envoyer directement les pièces ou les accessoires à leur résidence. Le système de pièces GE offre un accès à plus de 47 000 pièces et toutes les pièces de rechange originales de GE sont entièrement garanties. Nous acceptons les cartes VISA, MasterCard et Discover.

Les instructions de maintenance par l'utilisateur regroupées dans ce manuel couvrent les procédures à effectuer par tout utilisateur. Tout autre entretien et toute réparation doivent être confiés à un personnel qualifié. Soyez prudent, car un mauvais entretien ou une mauvaise réparation pourrait provoquer un fonctionnement dangereux.

VOTRE GARANTIE MONOGRAM SUR LA SURFACE DE CUISSON
Agrafez votre reçu ou votre chèque annulé ici. Vous devez
fournir la preuve de date d'achat d'origine pour obtenir le
service sous garantie.

CE QUI EST
COUVERT

à partir de la
date d'achat
d'origine

GARANTIE LIMITÉE D'UN AN

Pour un an à partir de la date d'achat d'origine, nous vous fournirons, sans aucuns frais, les pièces et la main-d'œuvre, chez vous, pour la réparation ou le remplacement de toutes les pièces de **la surface de cuisson** qui pourraient être défectueuses à cause d'un défaut de fabrication.

.....

Cette garantie est offerte à l'acheteur original et à tout propriétaire successif pour les produits achetés à des fins d'utilisation résidentielle dans les 48 états continentaux, Hawaii, Washington (D.C.) ou au Canada. Si l'appareil se trouve dans une région où il n'y a aucun centre de service autorisé GE, vous devrez déboursier les frais de transport ou apporter l'appareil dans une région où on retrouve un centre de service autorisé GE. En Alaska, la garantie est la même sauf qu'elle est LIMITÉE puisque vous devez payer l'expédition du produit à l'atelier de service ou le coût du voyage d'un technicien de service jusqu'à votre domicile.

Tout le service sous garantie est fourni par nos Centres de service en usine ou par un technicien de Customer Care® autorisé durant les heures normales de travail.

Si votre appareil a besoin de réparations, durant la période de garantie ou après, vous pouvez composer le 1.800.444.1845 aux É.-U. Au Canada : 1.800.561.3344. Veuillez avoir le numéro de série et de modèle sous la main lorsque vous appelez notre service de réparations.

CE QUI N'EST
PAS COUVERT

- Les déplacements de service à domicile pour vous enseigner comment utiliser le produit.
- Mauvaise installation, livraison ou maintenance.
Pour tout problème lié à l'installation, veuillez communiquer avec votre détaillant ou installateur. Vous êtes responsable de l'installation adéquate de l'électricité ou du gaz de même que de toute autre installation de connexion ainsi qu'il est décrit dans les Instructions d'installation fournies avec le produit.
- Remplacement des fusibles résidentiels ou réinitialisation des disjoncteurs.
- Dommages au produit à cause d'un mauvais emploi ou d'un abus.
- Défaillance du produit à la suite d'une utilisation à des fins autres que celles prévues ou à une utilisation commerciale.
- Dommages au produit suite à un accident, un incendie, une inondation ou une calamité naturelle.
- Dommages indirects ou consécutifs causés par des défauts possibles de l'appareil.
- Dommages après la livraison.
- Produit non accessible pour effectuer les réparations nécessaires.

EXCLUSION DE GARANTIES TACITES—Votre seul et unique recours est la réparation du produit suivant les modalités de la garantie limitée. Toutes les garanties tacites, y compris les garanties de valeur marchande ou d'adéquation à des fins particulières, sont limitées à une durée d'un an, ou à la durée la plus courte autorisée par la loi en vigueur.

Certains états/provinces n'acceptent pas d'exclusion ou de limites aux dommages indirects et consécutifs, il se peut donc que l'exclusion précédente ne s'applique pas dans votre cas. Cette garantie vous donne des droits juridiques précis et vous pourriez aussi avoir d'autres droits qui varient d'un état/province à l'autre. Pour connaître les droits juridiques de votre état/province, consultez le bureau local des affaires aux consommateurs de votre état/province ou le procureur général de votre état/province.

Garant aux É.-U. : General Electric Company, Louisville, KY 40225

Garant au Canada : Mabe Canada Inc.



Owner's Manual

30" and 36" Stainless Steel
Gas Cooktops

For Models:

ZGU384L

ZGU384N

ZGU385L

ZGU385N

Manuel du propriétaire

**Surface de cuisson au gaz
en acier inoxydable de 30 po
(76 cm) et de 36 po (91 cm)**

pour les modèles :

ZGU384L

ZGU384N

ZGU385L

ZGU385N

La section française commence à la page 19.

49-80658

07-12 GE

monogram.com



Introduction

Your new Monogram cooktop makes an eloquent statement of style, convenience and kitchen planning flexibility. Whether you chose it for its purity of design, assiduous attention to detail—or for both of these reasons—you'll find that your Monogram cooktop's superior blend of form and function will delight you for years to come.

Your Monogram cooktop was designed to provide the flexibility to blend in with your kitchen cabinetry. Its sleek design can be beautifully integrated into the kitchen.

The information on the following pages will help you operate and maintain your cooktop properly.

Contents

Care and Cleaning		Using Your Cooktop	
Burner Grates	11	Cookware	9
Control Knobs	10	Dual Flame Spill-Proof Burners.	9
Dual Flame Spill-Proof Burners.	12, 13	Electronic Ignition and Relight	8
Electronic Ignition and Relight Electrodes	14	Features.	6, 7
Stainless Steel Surfaces.	10	Flame Size.	8
Consumer Services		Fuel/Gas Conversion	6, 7
Before You Call for Service.	15	To Light a Burner	8
Important Phone Numbers	17		
Model and Serial Number.	3		
Safety Instructions.	4-5		
Warranty	18		

⚠ WARNING: If the information in this manual is not followed exactly, a fire or explosion may result, causing property damage, personal injury or death.

- Do not store or use gasoline or other flammable vapors and liquids in the vicinity of this or any other appliance.
- Do not install this product with air curtain hood or other range hood that blows air down on the cooktop. Airflow may interfere with operation of gas burners resulting in fire or explosion hazard.
- **WHAT TO DO IF YOU SMELL GAS**
 - Do not try to light any appliance.
 - Do not touch any electrical switch; do not use any phone in your building.
 - Immediately call your gas supplier from a neighbor's phone. Follow the gas supplier's instructions.
 - If you cannot reach your gas supplier, call the fire department.
- Installation and service must be performed by a qualified installer, service agency or the gas supplier.

Consumer Information

Gas Cooktop

Before using your cooktop

Read this manual carefully. It is intended to help you operate and maintain your new cooktop properly.

Keep it handy for answers to your questions.

If you don't understand something or need more help, there is a list of toll-free consumer service numbers included in the back section of this manual.

OR

Visit our Website at: monogram.com

Write down the model & serial numbers

You'll find them on a label under the cooktop.

Fill out and return the Consumer Product Registration Card that is packed with this product.

Before sending in the card, please write the numbers here:

Model Number

Serial Number

Use these numbers in any correspondence or service calls concerning your cooktop.

If you received a damaged cooktop

Immediately contact the dealer (or builder) that sold you the cooktop.

Save time & money

Read this manual. Inside you will find many helpful hints on how to use and maintain your cooktop properly. Just a little preventive care on your part can save you a great deal of time and money over the life of your cooktop.

You'll find many answers to common problems in the Before You Call for Service section. If you review our chart of *Troubleshooting Tips* first, you may not need to call for service at all.

If you need service

To obtain service, see the *Consumer Services* page in the back of this manual.

We're proud of our service and want you to be pleased. If for some reason you are not happy with the service you receive, here are some steps to follow for further help.

FIRST, contact the people who serviced your appliance. Explain why you are not pleased. In most cases, this will solve the problem.

NEXT, if you are still not pleased, write all the details—including your phone number—to:

Manager, Customer Relations
GE Appliances
Appliance Park
Louisville, KY 40225

IMPORTANT SAFETY INSTRUCTIONS

SAFETY PRECAUTIONS

IMPORTANT SAFETY NOTICE:

- **The California Safe Drinking Water and Toxic Enforcement Act** requires the Governor of California to publish a list of substances known to the state to cause cancer, birth defects or other reproductive harm, and requires businesses to warn customers of potential exposure to such substances.

- **Gas appliances can cause minor exposure to four of these substances**, namely benzene, carbon monoxide, formaldehyde and soot, caused primarily by the incomplete combustion of natural gas or LP fuels.

Properly adjusted burners, indicated by a bluish rather than a yellow flame, will minimize incomplete combustion. Exposure to these substances can be minimized further by venting with an open window or using the ventilation fan.

- **When you get your cooktop, have the installer show you the location of the gas shut-off valve and how to shut it off if necessary.**
- **Have your cooktop installed and properly grounded by a qualified installer**, in accordance with the installation instructions. Any adjustment and service should be performed only by qualified gas range installers or service technicians.
- **Plug your cooktop into a 120-volt grounded outlet only.** Do not remove the round grounding prong from the plug. If in doubt about the grounding of the home electrical system, it is your personal responsibility and obligation to have an ungrounded outlet replaced with a properly grounded three-prong outlet in accordance with the National Electrical Code. Do not use an extension cord with this appliance.
- **Be sure all packing materials are removed from the cooktop** before operating it to prevent fire or smoke damage should the packing material ignite.
- **Be sure your cooktop is correctly adjusted by a qualified service technician or installer for the type of gas (natural or LP) which is to be used.**
- **Do not attempt to repair or replace any part of your cooktop unless it is specifically recommended in this manual.** All other servicing should be referred to a qualified technician.

- **Do not leave children alone or unattended where a cooktop is hot or in operation.** They could be seriously burned.

- **⚠ CAUTION:** Items of interest to children should not be stored in cabinets above a cooktop—children climbing on the cooktop to reach items could be seriously injured.

⚠ WARNING: NEVER use this appliance as a space heater to heat or warm the room. Doing so may result in carbon monoxide poisoning and overheating of the cooktop.

- **Clean the cooktop with caution.** If a wet sponge or cloth is used to wipe spills on a hot cooktop, be careful to avoid steam burns.
- **Do not clean the cooktop with flammable or volatile cleaning fluids.**
- **Do not clean the cooktop when the appliance is in use.**
- **Avoid scratching the cooktop** with sharp instruments, or with rings and other jewelry.
- **Let the burner grates and other surfaces cool before touching them or leaving them where children can reach them.**
- **Never use the cooktop as a cutting board.**
- **Never wear loose-fitting or hanging garments while using the appliance.** Be careful when reaching for items stored in cabinets over the cooktop. Flammable material could be ignited if brought in contact with flame or hot surfaces and may cause severe burns.
- **For your safety, never use your appliance for warming or heating the room.**
- **Do not use water on grease fires. Never pick up a flaming pan.** Turn the controls off. Smother a flaming pan on a surface burner by covering the pan completely with a well-fitting lid, cookie sheet or flat tray. Use a multi-purpose dry chemical or foam-type fire extinguisher.

Flaming grease outside a pan can be put out by covering it with baking soda or, if available, by using a multi-purpose dry chemical or foam-type fire extinguisher.
- **Do not store flammable materials near the cooktop.** Do not store or use gasoline or other flammable vapors and liquids in the vicinity of this or any other appliance.

-
- **Do not let cooking grease or other flammable materials accumulate on or near the cooktop.**
 - **Never leave surface burners unattended at high flame settings.** Boilovers cause smoking and greasy spillovers that may catch on fire.
 - **Adjust surface burner flame size so it does not extend beyond the edge of the cookware.** Excessive flame is hazardous.
 - **Use only dry pot holders**—moist or damp pot holders on hot surfaces may result in burns from steam. Do not let pot holders come near open flames when lifting cookware. Do not use a towel or other bulky cloth in place of a pot holder.
 - **To minimize the possibility of burns,** ignition of flammable materials and spillage, turn cookware handles toward the side or center of the cooktop without extending over adjacent burner or vent area.
 - **Always turn the surface burners to OFF before removing the cookware.**
 - **Foods for frying should be as dry as possible.** Frost on frozen foods or moisture on fresh foods can cause hot fat to bubble up and over the sides of the pan.
 - **Use least possible amount of fat for effective shallow or deep-fat frying.** Filling the pan too full of fat can cause spillovers when food is added.
 - **Carefully watch foods being fried at high flame setting.**
 - **If a combination of oils or fats will be used in frying,** stir together before heating, or as fats melt slowly.
 - **Do not use a wok on the cooking surface if the wok has a round metal ring** that is placed over the burner grate to support the wok. This ring acts as a heat trap, which may damage the burner grate and burner head. Also, it may cause the burner to work improperly. This may cause a carbon monoxide level above that allowed by current standards, resulting in a health hazard.
 - **Always heat fat slowly,** and watch as it heats.
 - **Use a deep-fat thermometer whenever possible** to prevent overheating fat beyond the smoking point.
 - **Do not flame foods on the cooktop.** If you do flame foods under the hood, turn the fan on.
 - **Use proper pan size**—avoid pans that are unstable or easily tipped. Select cookware having flat bottoms large enough to properly contain food and avoid boilovers and spillovers, and large enough to cover burner grate. This will both save cleaning time and prevent hazardous accumulations of food, since heavy spattering or spillovers left on cooktop can ignite. Use pans with handles that can be easily grasped and remain cool.
 - **Keep all plastics away from burners.**
 - **To avoid the possibility of a burn, always be certain that the controls for all burners are at the off position and all grates are cool before attempting to remove a grate.**
 - **If the cooktop is located near a window,** do not use long curtains which could blow over the burners and create a fire hazard.
 - **If you smell gas,** turn off the gas to the cooktop and call a qualified service technician. Never use an open flame to locate a leak.
 - **Do not cover or block the area around the cooktop knobs.** This area must be kept clear for proper ventilation and burner performance.
 - **Cook meat and poultry thoroughly**—meat to at least an INTERNAL temperature of 160°F and poultry to at least an INTERNAL temperature of 180°F. Cooking to these temperatures usually protects against foodborne illness.

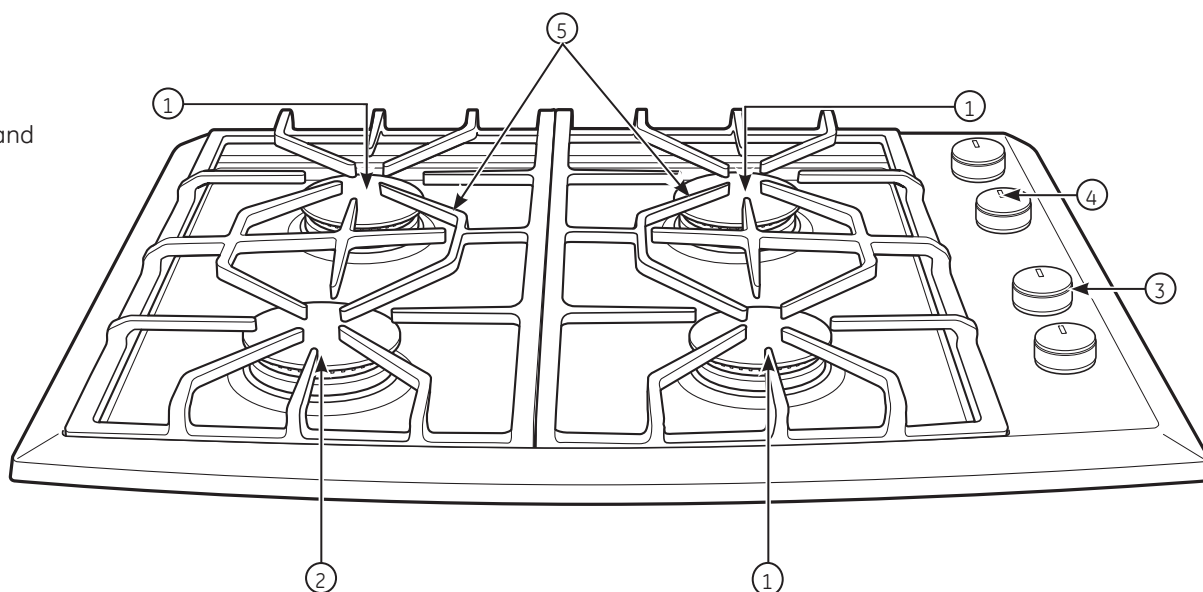
SAVE THESE INSTRUCTIONS

Features of Your Cooktop

Gas Cooktop

Features

(Throughout this manual, features and appearance may vary.)



ZGU384 – 30" Gas Cooktop

Feature Index

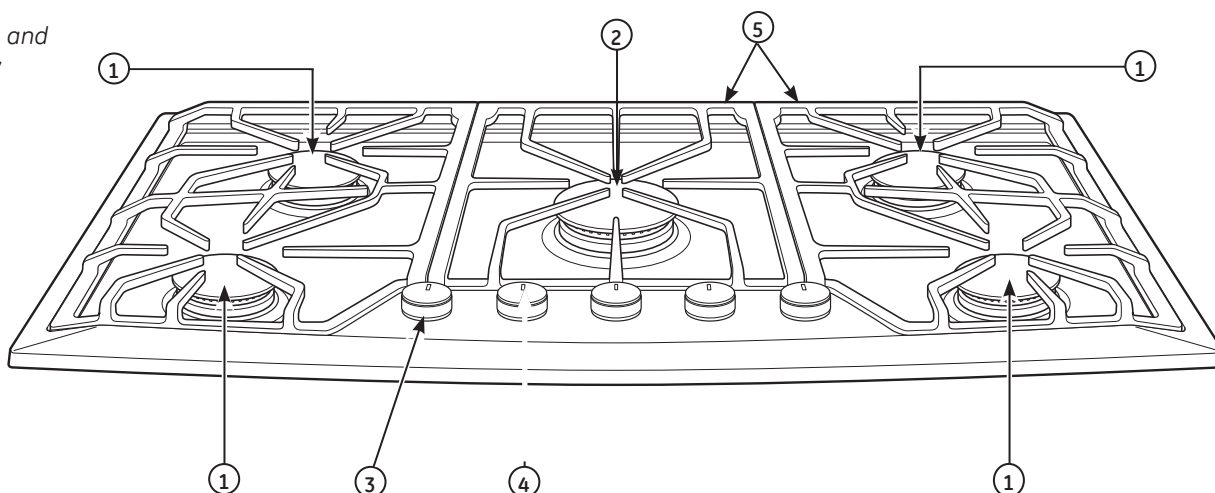
		Page
1	Dual-Flame Spillproof Burners—High Output	9, 12, 13
2	Dual-Flame Spillproof Burners—X-High Output	9, 12, 13
3	Tactile-touch Control Knobs (One For Each Surface Burner)	8, 10
4	Burner "ON" Indicator Lights (One On Each Control Knob)	8
5	Burner Grates	11

Fuel/Gas Conversion

Model ZGU384N is shipped from the factory set for Natural Gas operation. Model ZGU384L is shipped from the factory set for Liquefied Petroleum (LP) Gas operation. If you have received the wrong type gas model for your installation situation, gas conversion orifices must be installed. Conversion orifices and complete instructions are packed with both models.

Features

(Throughout this manual, features and appearance may vary.)



ZGU385 – 36" Gas Cooktop

Feature Index		Page
1	Dual-Flame Spillproof Burners—High Output	9, 12, 13
2	Dual-Flame Spillproof Burners—X-High Output	9, 12, 13
3	Tactile-touch Control Knobs (One For Each Surface Burner)	8, 10
4	Burner "ON" Indicator Lights (One On Each Control Knob)	8
5	Burner Grates	11

Fuel/Gas Conversion

Model ZGU385N is shipped from the factory set for Natural Gas operation. Model ZGU385L is shipped from the factory set for Liquefied Petroleum (LP) Gas operation. If you have received the wrong type gas model for your installation situation, gas conversion orifices must be installed. Conversion orifices and complete instructions are packed with both models.

Electronic ignition & relight

The surface burners are lit by electronic ignition. All burner igniters make clicking sounds and spark even when only a single burner is being turned on. Do not touch any of the burners when the igniters are clicking.

The burners on this cooktop relight automatically if the flame goes out. This helps prevent the inconvenience of having to manually relight a burner.

Occasionally, the burners may spark if excess wind or draft blows the flame away from the burner's flame sensor.

In case of a power outage, you can light the surface burners on your cooktop with a match. Hold a lighted match to the burner; then turn the knob to the HIGH position. **Use extreme caution when lighting burners this way.**

To light a burner

Push the control knob down and turn it **counterclockwise** to the desired position from HI to LO or simmer (SIM).

After the burner ignites, turn the knob in either direction to adjust the flame size.

To turn a burner off, turn the knob clockwise, as far as it will go, to the OFF position.

- All of the burners can be used for both general cooking and simmering.
- The X-High setting is intended for use with 10" or larger cookware.
- Do not operate a burner for an extended period of time without cookware on the grate. The finish on the grate may chip without cookware to absorb the heat.

- Be sure the burners and grates are cool before you place your hand, a pot holder, cleaning cloth or other materials on them.
- The indicator light on each knob verifies the burner is "ON"; however, it should not be a substitute for visually checking the flame at the burner.
- Be sure you turn the control knob to "OFF" when cooking is complete.

How to select flame size

Watch the flame, not the knob, as you reduce heat.

The flame size on a gas burner should match the cookware you are using.

FOR SAFE HANDLING OF COOKWARE, NEVER LET THE FLAME EXTEND UP THE SIDES OF THE COOKWARE. Any flame larger than the bottom of the cookware is wasted and only serves to heat the handle.



NOTE: The X-High setting produces an extra large flame. Use 10" or larger diameter cookware when using high heat settings.

Cookware

Aluminum: Medium-weight cookware is recommended because it heats quickly and evenly. Most foods brown evenly in aluminum cookware. Use saucepans with tight-fitting lids for cooking with minimum amounts of water.

Cast Iron: If heated slowly, most cookware will give satisfactory results.

Enamelware: Under some conditions, the enamel of some cookware may melt. Follow cookware manufacturer's recommendations for cooking methods.

Glass: There are two types of glass cookware—those for oven use only and those for surface cooking (saucepans, coffee and teapots). Glass conducts heat very slowly.

Heatproof Glass-Ceramic: Can be used for either surface or oven cooking. It conducts heat very slowly and cools very slowly. Check cookware manufacturer's directions to be sure it can be used on gas cooktops.

Stainless Steel: This metal alone has poor heating properties, and is usually combined with copper, aluminum or other metals for improved heat distribution. Combination metal cookware generally works satisfactorily if it is used at medium heat as the manufacturer recommends.

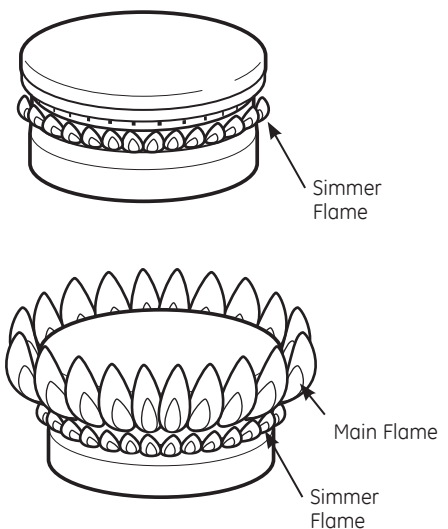
Dual-flame spill-proof burners

All burners on your cooktop have two rows of flames. These dual-flame burners have a simmer (lower) flame and a main (upper) flame.

When a burner is turned on, the simmer flame will always light and stay on.

Simmering: The simmer (SIM) setting will use only the lower flames. Use simmer (SIM) to melt chocolate, hold delicate sauces or for other foods requiring low simmer heat.

Primary Cooking: Settings from LO to HI will use both rows of flames. Use LO to HI for all purpose cooking.



General information

Proper care and cleaning are important so your cooktop will give you efficient and satisfactory service. Follow these directions carefully in caring for it.

Some cooktop models are provided with cleaners. Follow the instructions on the containers.

Before cleaning any part of your cooktop, be sure all burners are off and cool.

Stainless steel surfaces

Do not use a steel wool pad; it will scratch the surface.

To clean the stainless steel surface, use warm sudsy water, a stainless steel cleaner or an all-purpose liquid or spray cleaner. Always scrub in the direction of the grain. Rinse thoroughly with a sponge or cloth and clean water. Dry with a soft, clean cloth.

After cleaning, use a stainless steel polish, such as Stainless Steel Magic®, Revere Copper and Stainless Steel Cleaner® or Weno! All Purpose Metal Polish®. Follow the product instructions for cleaning the stainless steel surface.

Use a stainless steel brightener when stainless steel is exposed to high heat and has a yellow appearance. Stainless steel cleaner is for other cleaning. Follow the product instructions for proper cleaning methods. If you need an additional supply, you can purchase them by calling **800.626.2002**.

Control knobs

The control knobs may be removed for cleaning.

To remove knob, pull it straight up.

The knobs have a tactile grip surface, but no special cleaning is required.

Wash the knobs in soap and water but do not soak. Avoid getting water down into the knob stem holes.

Replace the knobs after drying.

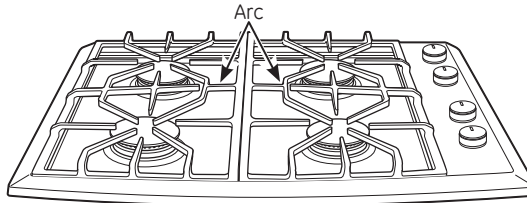
DO NOT attempt to clean your knobs in a dishwasher.

NOTE: The knob stem is "D" shaped. Replace the flat side of the knob onto the flat side of the stem.

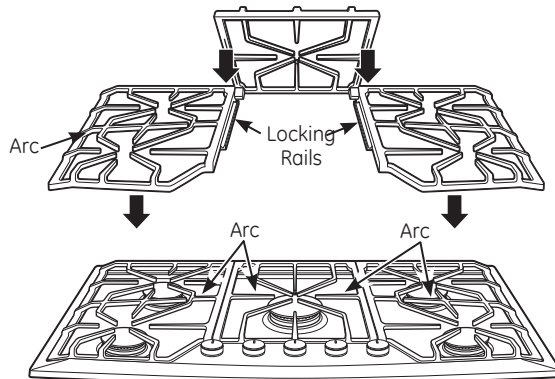
Burner grates

Cast-iron burner grates should be washed regularly and especially after spillovers. Wash them in hot, soapy water and rinse with clean water. Dry grates with a clean cloth. The grates may also be cleaned in a dishwasher.

When replacing grates, be sure that they are positioned securely over the burners.



Model ZGU384: Replace the two side grates so that a continuous "arc" is formed with the center ribs of both grates. Make sure both grates are stable and level.



Model ZGU385: Replace the two side grates with their locking rails toward the center grate so that a continuous "arc" is formed with the center ribs of all three grates. Make sure the center grate is locked into position over the rails on the side grates and that all grates are stable and level.

To get rid of burned-on food, place the grates in a covered container or plastic bag. Add 1/4 cup of ammonia and let them soak for 30 minutes. Wash, rinse well and dry.

Although they are durable, the grates will gradually lose their shine, regardless of the best care you can give them. This is due to their continual exposure to high temperatures.

Do not operate a burner for an extended period of time without cookware on the grate. The finish on the grate may chip without cookware to absorb the heat.

Rubber Grate Feet

For stability, the base of your grates has rubber feet. If any of these feet should become damaged or lost, replace them immediately.

To order replacement rubber grate feet, please call our toll-free number:

National Parts Center 800.626.2002

Rubber Grate Feet Part No. #WB02T10101

Dual-flame spill-proof burners

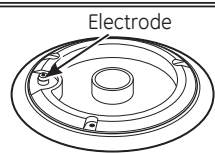
The burner consists of three parts: the burner base, burner head and burner cap. The burner head and burner cap can be lifted off, making them easy to clean.

CAUTION: DO NOT OPERATE THE BURNER WITHOUT ALL BURNER PARTS IN PLACE.

You should clean the surface burners routinely, especially after bad spillovers, which could clog the slots and holes in the burner heads. A sewing needle or wire twist-tie works well to unclog these openings.

All slots and holes in the burner head must be kept clean at all times for proper ignition and an uneven, unhampered flame.

The electrode is located on one side of each burner. **When one burner is "ON", all burners will spark.** Do not attempt to disassemble or clean around any burner while another burner is on. An electric shock may result, which could cause you to knock over hot cookware.



Cleaning

Lift off burner parts only when cool (see next page). Wash in hot, soapy water. You may use a plastic scouring pad to remove burned-on food particles.

To remove burned-on food, soak the burner heads in a solution of mild liquid detergent and hot water for 20–30 minutes. For more stubborn stains, use a plastic scouring pad or toothbrush.

If the spill goes inside the burner head assembly, wash it under running water and shake to remove excess water.

After Cleaning

Before replacing the burner parts, shake out excess water and then dry them thoroughly.

Dual-flame spill-proof burners (cont.)

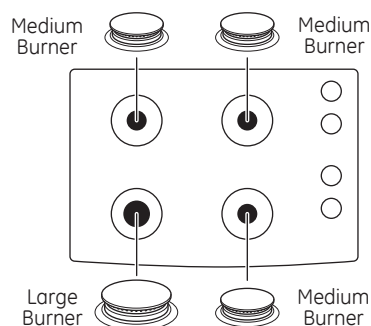
To remove the burner parts:

NOTE: Before removing the burner parts, remember their size and location. Replace them in the same location after cleaning for proper burner operation.

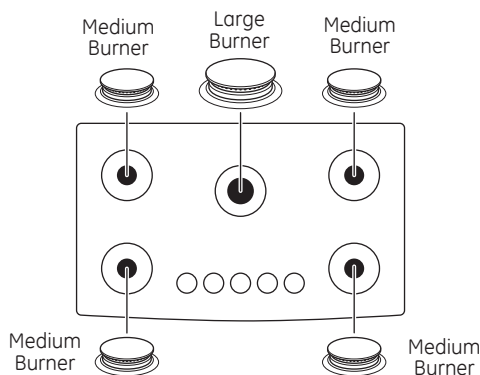
1. Turn all controls **OFF** before removing any burner parts.
2. When cool, you may lift off the burner grates, burner caps and burner heads for easier cleaning. Do not remove the burner bases.

To replace the burner parts:

Make sure that the burner parts are replaced in the correct location.



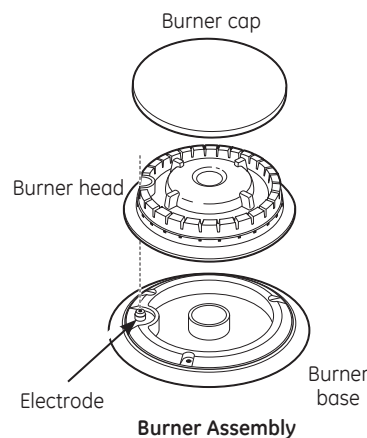
On model ZGU384, there is one large burner head and burner cap and three sets of medium burner heads and burner caps.



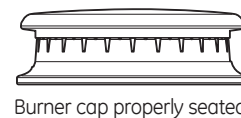
On model ZGU385, there is one large burner head and burner cap and four sets of medium burner heads and burner caps.

These burner parts are not interchangeable.

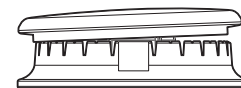
1. Replace the burner head on top of the burner base, making sure that the hole in the burner head is properly aligned with the electrode in the burner base. A small gap between the base and head is normal.



2. Place the burner cap on top of the burner head. Make sure that the burner cap is properly seated on the burner head.



Burner cap properly seated



Burner cap not properly seated

Burner Cap Alignment

Electronic ignition & relight electrodes

The electrode of the electronic ignition system is positioned above the surface of the burner base. When cleaning the cooktop, be careful not to snag the igniter with your cleaning cloth. Damage to the igniter could occur.

Be careful not to push in a control knob while cleaning. It could cause the igniter to spark.

Make sure that the white ceramic igniters on the cooktop are dry and clean. Clean the metal portion of the electrode with a soft cloth.

Cooktop Electrode

Clean this metal part






Do not clean this
white ceramic part
with an emery board

NOTE: Do not attempt to remove the electrode from the cooktop.

Before You Call For Service

Gas Cooktop

*Questions?
Before you
call for
service...*

PROBLEM	POSSIBLE CAUSE
BURNERS DO NOT LIGHT OR SPARK RANDOMLY	<ul style="list-style-type: none"> • Make sure electrical plug is plugged into a live power outlet. • Burner parts not replaced correctly. • Slits in the burner heads may be clogged.
BURNERS HAVE YELLOW OR YELLOW-TIPPED FLAMES	<ul style="list-style-type: none"> • Burner parts not replaced correctly. See the sealed burner assemblies section. • The combustion quality of burner flames needs to be determined visually. <div style="display: flex; justify-content: space-around; align-items: flex-start;"> <div style="text-align: center;">  <p>A. Yellow flames: Call for service.</p> </div> <div style="text-align: center;">  <p>B. Yellow tips on outer cones: Normal for LP gas.</p> </div> <div style="text-align: center;">  <p>C. Soft blue flames: Normal for natural gas.</p> </div> </div> <ul style="list-style-type: none"> • If burner flames look like (A), call for service. Normal burner flames should look like (B) or (C), depending on the type of gas. With LP gas, some yellow tipping on outer cones is normal.
BURNER FLAMES VERY LARGE OR YELLOW	<ul style="list-style-type: none"> • Cooktop may be connected to wrong fuel type. Contact the person who installed your cooktop or made the conversion.
BURNER CONTROL KNOB WILL NOT TURN	<ul style="list-style-type: none"> • When the knob is at the OFF position, it must be pushed down before it can be turned, and it can only be turned in a counterclockwise direction. When the knob is at any other position, it can be turned in either direction without being pushed in.

With the purchase of your new Monogram appliance, receive the assurance that if you ever need information or assistance from GE, we'll be there. All you have to do is call—toll-free!

GE Answer Center®

***In the USA:
800.626.2000***

Whatever your question about any Monogram major appliance, GE Answer Center® information service is available to help. Your call—and your question—will be answered promptly and courteously. Call the GE Answer Center® Monday to Friday, 8 a.m. to 10 p.m. EST, and Saturday, 8 a.m. to 7 p.m. EST.

OR

Visit our Website at: monogram.com

In Canada, call 1.800.561.3344.

Monogram Preferred Service

***In the USA:
800.444.1845***

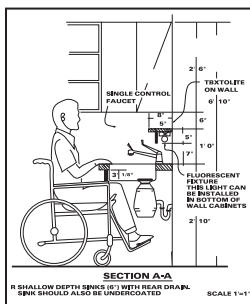
***In Canada:
1.800.561.3344***

A GE consumer service professional will provide expert repair service, scheduled at a time that's convenient for you. To schedule service, call Monday to Friday, 7 a.m. to 10 p.m. EST, or Saturday and Sunday, 8 a.m. to 6 p.m. EST. Many GE Consumer Service company-operated locations offer you service today or tomorrow, or at your convenience. Our factory-trained technicians know your appliance inside and out—so most repairs can be handled in just one visit.

In Canada: Monday to Friday, 7:00 a.m. to 8:00 p.m. and Saturday, 8:00 a.m. to 5:00 p.m. EDST.

For Customers With Special Needs...

***In the USA:
800.626.2000***



GE offers, free of charge, a brochure to assist in planning a barrier-free kitchen for persons with limited mobility.

Consumers with impaired hearing or speech who have access to a TDD or a conventional teletypewriter may call 800.TDD.GEAC (800.833.4322) to request information or service.

Service Contracts

***In the USA:
800.626.2224***

***In Canada:
1.800.561.3344***

You can have the secure feeling that GE Consumer Service will still be there after your warranty expires. Purchase a GE contract while your warranty is still in effect and you'll receive a substantial discount. With a multiple-year contract, you're assured of future service at today's prices.

Parts and Accessories

***In the USA:
800.626.2002***

***In Canada:
1.800.561.3344***

Individuals qualified to service their own appliances can have parts or accessories sent directly to their home. The GE parts system provides access to over 47,000 parts...and all GE Genuine Renewal Parts are fully warranted. VISA, MasterCard and Discover cards are accepted.

User maintenance instructions contained in this manual cover procedures intended to be performed by any user. Other servicing generally should be referred to qualified service personnel. Caution must be exercised, since improper servicing may cause unsafe operation.

YOUR MONOGRAM COOKTOP WARRANTY

Staple sales slip or cancelled check here. Proof of original purchase date is needed to obtain service under warranty.

WHAT IS COVERED

From the Date of the Original Purchase

LIMITED ONE-YEAR WARRANTY

For one year from date of original purchase, we will provide, free of charge, parts and service labor in your home to repair or replace **any part of the cooktop** that fails because of a manufacturing defect.

.....
This warranty is extended to the original purchaser and any succeeding owner for products purchased for ordinary home use in the 48 mainland states, Hawaii, Washington, D.C. or Canada. If the product is located in an area where service by a GE Authorized Servicer is not available, you may be responsible for a trip charge or you may be required to bring the product to an Authorized GE Service location for service. In Alaska the warranty is the same except that it is LIMITED because you must pay to ship the product to the service shop or for the service technician's travel costs to your home.

All warranty service will be provided by our Factory Service Centers or by our authorized Customer Care® servicers during normal working hours.

Should your appliance need service, during warranty period or beyond, in the USA call 800.444.1845. In Canada: 800.561.3344. Please have your serial number and model number available when calling for service.

WHAT IS NOT COVERED

- Service trips to your home to teach you how to use the product.
- Improper installation, delivery or maintenance.
If you have an installation problem, contact your dealer or installer. You are responsible for providing adequate electrical, gas, exhausting and other connecting facilities as described in the Installation Instructions provided with the product.
- Replacement of house fuses or resetting of circuit breakers.
- Damage to the product due to misuse or abuse.
- Failure of the product if it is used for other than its intended purpose or used commercially.
- Damage to product caused by accident, fire, floods or acts of God.
- Incidental or consequential damage caused by possible defects with this appliance.
- Damage caused after delivery.
- Product not accessible to provide required service.

EXCLUSION OF IMPLIED WARRANTIES—Your sole and exclusive remedy is product repair as provided in this Limited Warranty. Any implied warranties, including the implied warranties of merchantability or fitness for a particular purpose, are limited to one year or the shortest period allowed by law.

Some states/provinces do not allow the exclusion or limitation of incidental or consequential damages, so the above limitation or exclusion may not apply to you. This warranty gives you specific legal rights, and you may also have other rights which vary from state to state/province to province. To know what your legal rights are in your state/province, consult your local or state/provincial consumer affairs office or your state's Attorney General.

Warrantor in USA: General Electric Company, Louisville, KY 40225

Warrantor in Canada: Mabe Canada Inc.



Introduction

Votre nouvelle surface de cuisson Monogram allie un style éloquent, une grande commodité et toute la souplesse requise pour une planification facile de votre cuisine. Que vous l'ayez choisie pour la pureté de sa ligne, ses fonctions pratiques, l'attention apportée aux détails ou pour toutes ces raisons, vous découvrirez que l'agencement perfectionné entre forme et fonction de votre surface de cuisson Monogram vous ravira pendant des années.

Votre surface de cuisson Monogram est conçue pour vous procurer la flexibilité d'un parfait mélange avec vos armoires de cuisine. Son design élégant s'intégrera magnifiquement à votre cuisine.

Les informations contenues dans les pages suivantes vous aideront à faire fonctionner et à entretenir correctement votre surface de cuisson.

Contenu

Entretien et nettoyage

Allumage électronique et électrodes de réallumage.....	32
Boutons de contrôle.....	28
Brûleurs à flamme double à l'épreuve des débordements.....	30, 31
Grilles du brûleur.....	29
Surfaces en acier inoxydable.....	28

Service à la clientèle

Avant d'appeler le service.....	33
Garantie.....	36
Instructions de sécurité.....	21-23
Numéros de modèle et de série.....	20
Numéros de téléphone importants.....	35

Utiliser votre surface de cuisson

Allumage et réallumage électronique.....	26
Brûleurs à flamme double à l'épreuve des débordements.....	27
Caractéristiques.....	24, 25
Conversion carburant/gaz.....	24, 25
Porcelaine.....	27
Pour allumer un brûleur.....	26
Taille de la flamme.....	26

⚠ AVERTISSEMENT : Si les informations de ce manuel ne sont pas suivies à la lettre, un incendie ou une explosion peut résulter et causer des dommages matériels, des blessures ou la mort.

- Ne stockez pas ou n'utilisez pas de l'essence ou d'autres vapeurs ou liquides inflammables à proximité de cet appareil électrique ou de tout autre.
- Ne pas installer ce produit si l'on utilise une hotte à rideau d'air ou une hotte de cuisinière soufflant l'air audessus de la surface de cuisson. Le débit d'air peut nuire au fonctionnement des brûleurs à gaz et représente un risque d'incendie ou d'explosion.
- **QUE FAIRE SI VOUS SENTEZ DU GAZ**
 - N'essayez pas d'allumer un appareil quelconque.
 - Ne touchez aux interrupteurs électriques ; n'utilisez pas les téléphones de votre immeuble.
 - Appelez immédiatement votre fournisseur de gaz à partir du téléphone d'un voisin. Suivez les instructions du fournisseur de gaz.
 - Si vous ne pouvez pas contacter votre fournisseur de gaz, appelez les pompiers.
- L'installation et l'entretien doivent être effectués par un installateur qualifié, une agence d'entretien ou le fournisseur du gaz.

Avant d'utiliser votre surface de cuisson

Lisez attentivement ce manuel. Il est conçu pour vous aider à faire fonctionner et à entretenir correctement votre nouvelle surface de cuisson.

Gardez-le à portée de la main pour répondre à vos questions.

S'il y a quelque chose que vous ne comprenez pas ou si vous avez besoin d'aide, vous trouverez une liste de numéros de service à la clientèle gratuits à la section arrière de ce manuel.

OU

visitez notre site Web à : **monogram.com**

Prenez note des numéros de modèle et de série

Vous les trouverez sur une étiquette sous la surface de cuisson.

Remplissez et retournez la carte d'inscription du produit qui est emballée avec cet appareil.

Avant d'envoyer la carte, veuillez inscrire les numéros ici :

Numéro de modèle

Numéro de série

Utilisez ces numéros pour toute correspondance ou tout appel de service au sujet de votre surface de cuisson.

Si vous recevez une surface de cuisson endommagée

Contactez immédiatement le détaillant (ou le constructeur) qui vous a vendu la surface de cuisson.

Gagnez du temps et économisez

Lisez attentivement ce manuel. Vous y trouverez de nombreux trucs utiles sur la façon d'utiliser et d'entretenir adéquatement votre surface de cuisson. Un minimum d'entretien préventif de votre part peut vous faire gagner du temps et économiser tout au long de la durée de vie de votre surface de cuisson.

Vous trouverez de nombreuses réponses aux problèmes courants dans la section Avant d'appeler le service. Consultez notre tableau de conseils de dépannage d'abord, peut-être n'aurez-vous pas à appeler le service après tout.

Si vous avez besoin de service d'entretien ou de réparation

Pour obtenir le service, reportez-vous aux pages du service à la clientèle à l'arrière de ce manuel.

Nous sommes fiers de notre service et nous tenons à votre satisfaction. Si pour quelque raison que ce soit vous n'êtes pas satisfait du service reçu, voici les étapes à suivre pour obtenir de l'aide supplémentaire.

D'ABORD, prenez contact avec les personnes qui ont réparé votre appareil. Expliquez votre insatisfaction. Dans la plupart des cas, cette démarche résoudra le problème.

ENSUITE, si vous êtes toujours insatisfait, envoyez tous les détails—y compris votre numéro de téléphone—à :

Manager, Customer Relations
GE Appliances
Appliance Park
Louisville, KY 40225

INSTRUCTIONS DE SÉCURITÉ IMPORTANTES

PRÉCAUTIONS DE SÉCURITÉ

AVIS IMPORTANT DE SÉCURITÉ :

- **La loi de l'état de Californie sur l'eau potable sécurisée et l'application des lois sur les produits toxiques** exige que le Gouverneur de Californie publie une liste de substances qui, selon les connaissances de l'état, causent le cancer, les maladies congénitales ou autre lésion reproductive, et exige que les entreprises avertissent leurs clients de leur exposition potentielle à de telles substances.

- **Les appareils à gaz peuvent causer une exposition mineure à quatre de ces substances**, soit le benzène, le monoxyde de carbone, le formaldéhyde et la suie, surtout à cause de la combustion incomplète du gaz naturel ou des carburants PL.

Des brûleurs correctement ajustés, ce qui est indiqué par des flammes bleuâtres plutôt que jaunes, réduiront au minimum la combustion incomplète. L'exposition à ces substances peut être réduite davantage en aérant avec une fenêtre ouverte ou en utilisant le ventilateur d'aération.

- **Lorsque vous recevez votre cuisinière, demandez à l'installateur de vous montrer l'emplacement de la soupape d'arrêt et la façon de la fermer en cas de besoin.**
- **Demandez à un installateur qualifié d'installer et de mettre à la terre correctement votre cuisinière**, conformément aux instructions d'installation. Tout ajustement ou entretien doit être effectué seulement par des installateurs de cuisinière à gaz qualifiés ou des techniciens de service.
- **Branchez votre cuisinière seulement sur une prise de 120 volts mise à la terre.** Ne retirez pas la broche ronde de mise à la terre de la prise. En cas de doute concernant la mise à la terre du système électrique de la résidence, vous assumez la responsabilité et l'obligation personnelles de faire remplacer toute prise non mise à la terre par une prise à trois broches correctement mise à la terre conformément au Code national de l'électricité. N'utilisez pas de rallonge de câble avec cet appareil.
- **Assurez-vous que tous les matériaux d'emballage sont retirés de la cuisinière** avant de la mettre en marche, pour empêcher les dommages d'incendie et de fumée au cas où le matériau d'emballage s'enflammerait.
- **Assurez-vous que la cuisinière est ajustée correctement par un technicien de service ou un installateur qualifié en fonction du type de gaz (naturel ou PL) qui sera utilisé.**

- **N'essayez pas de réparer ou de remplacer toute pièce de la cuisinière sauf si cela est spécifiquement recommandé dans ce manuel.** Toutes les autres actions de service doivent être référées à un technicien qualifié.
- **Ne laissez pas les enfants seuls ou non surveillés lorsqu'une cuisinière est chaude ou en marche.** Ils pourraient être brûlés grièvement.

- **ATTENTION :** Les articles suscitant l'intérêt des enfants ne doivent pas être rangés dans les armoires au-dessus de la cuisinière—les enfants grimpaient sur la cuisinière pour saisir ces articles pourraient être grièvement blessés.

AVERTISSEMENT :

N'utilisez **JAMAIS** cet appareil pour réchauffer votre maison. Si vous le faites, vous risquez d'occasionner un empoisonnement par monoxyde de carbone et de surchauffer la cuisinière.

- **Nettoyez la cuisinière avec précaution.** Si une éponge ou un chiffon mouillé est utilisé pour essuyer les renversements sur une cuisinière chaude, faites attention d'éviter les brûlures causées par la vapeur.
- **Ne nettoyez pas la cuisinière avec des nettoyants inflammables ou volatils.**
- **Ne nettoyez pas la cuisinière lorsqu'elle est en marche.**
- **Évitez de rayer la cuisinière** avec des instruments pointus ou avec des bagues ou d'autres bijoux.
- **Laissez refroidir les grilles des brûleurs et les autres surfaces avant de les toucher ou de les laisser là où les enfants peuvent les atteindre.**
- **N'utilisez jamais la cuisinière comme planche à découper.**
- **Ne portez jamais de vêtements lâches ou amples lorsque vous utilisez cet appareil.** Faites attention pour saisir des articles rangés dans les armoires au-dessus de la cuisinière. La matière inflammable peut s'enflammer si elle entre en contact avec les flammes ou les surfaces chaudes et peut causer des brûlures graves.
- **Pour votre sécurité, n'utilisez jamais votre appareil pour chauffer ou réchauffer la pièce.**

INSTRUCTIONS DE SÉCURITÉ IMPORTANTES

PRÉCAUTIONS DE SÉCURITÉ

- **N'utilisez pas de l'eau sur les incendies de graisse. Ne saisissez jamais une poêle enflammée.** Arrêtez les contrôles. Etouffez les flammes d'une poêle placées sur un brûleur de surface en la recouvrant entièrement d'un couvercle bien ajusté, d'un plateau à gâteau ou d'un plateau plat. Utilisez un extincteur à produit chimique sec multi-usages ou du type à mousse.
Le graisse enflammée à l'extérieur d'une poêle peut être éteinte en la couvrant de bicarbonate de soude ou, s'il est disponible, en utilisant un extincteur à produit chimique sec multi-usages ou du type à mousse.
- **Ne stockez pas de matière inflammable près de la cuisinière.** Ne stockez pas et n'utilisez pas d'essence ou d'autres vapeurs ou liquides inflammables à proximité de cet appareil ou de tout autre.
- **Ne laissez pas la graisse de cuisson ou autre matière inflammable s'accumuler sur ou près de la cuisinière.**
- **Ne laissez jamais les brûleurs de surface sans surveillance lorsqu'ils sont réglés pour des flammes hautes.** Les débordements excessifs causent de la fumée et des renversements graisseux qui pourraient s'enflammer.
- **Ajustez la taille des flammes des brûleurs de surface pour qu'elles ne dépassent pas du bord du conteneur.** Les flammes excessives sont dangereuses.
- **Utilisez seulement des gants secs pour saisir les plats**—les gants humides ou mouillés placés sur des surfaces chaudes peuvent causer des brûlures dues à la vapeur. Ne mettez pas les gants près des flammes vives pour soulever les plats. N'utilisez pas de serviette ou autre chiffon encombrant au lieu des gants de plat.
- **Pour réduire au minimum la possibilité de brûlures,** d'inflammation de matière inflammable et de renversement, tournez les poignées des plats vers le côté ou le centre de la cuisinière, sans les placer au-dessus d'un brûleur adjacent ou une zone d'aération.
- **Arrêtez toujours les brûleurs de surface avant de retirer les plats.**
- **Les aliments à frire doivent être aussi secs que possible.** Le gel des aliments congelés ou l'humidité des aliments frais peut causer le bouillonnement des matières grasses chaudes et leur déversement sur le côté de la poêle.
- **Utiliser la quantité de graisse la plus faible possible pour la friture à la poêle ou à la friteuse.** Si l'ustensile est trop rempli de graisse, celle-ci peut déborder lorsque les aliments sont ajoutés.
- **Observez avec soin les aliments frits sur flammes hautes.**
- **Si un mélange d'huile et de matières grasses va être utilisé pour la friture,** mélangez avant le chauffage ou à mesure que les matières grasses fondent lentement.

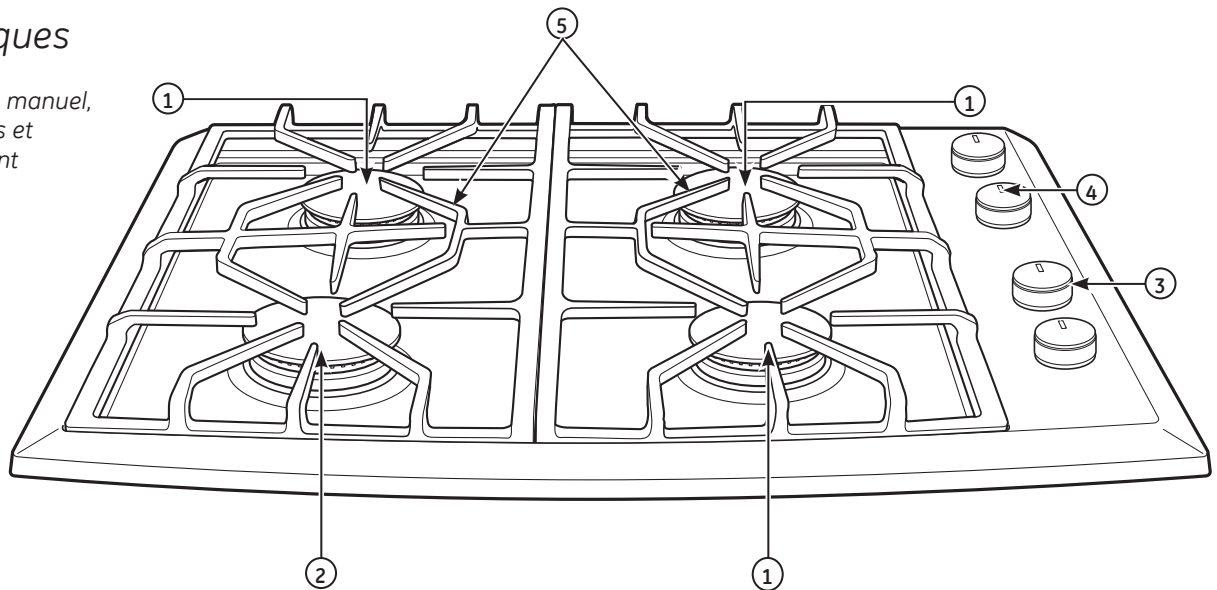
INSTRUCTIONS DE SÉCURITÉ IMPORTANTES

- **N'utilisez jamais un wok sur la surface de cuisson si le wok a une bague ronde en métal** placée pour le soutenir sur la grille du brûleur. Cette bague est un piège à chaleur, qui peut endommager la grille et la tête de brûleur. Cela peut également occasionner un mauvais fonctionnement du brûleur. Elle peut également augmenter le gaz carbonique à un niveau supérieur à celui permis par les normes actuelles, ce qui est dangereux pour la santé.
- **Réchauffez toujours lentement les matières grasses** et observez leur réchauffement.
- **Utilisez un thermomètre de friteuse lorsque cela est possible** pour empêcher de surchauffer les matières grasses au-delà de leur point de fumée.
- **Ne flambez pas les aliments sur la surface de cuisson.** Si vous le faites sous la hotte, mettez le ventilateur en marche.
- **Utiliser des poêles de taille appropriée—** évitez les poêles qui sont instables ou qui peuvent basculer facilement. Sélectionnez des ustensiles de cuisine avec des fonds plats, suffisamment grands pour pouvoir correctement contenir les aliments et éviter les débordements et les déversements, et suffisamment grands pour recouvrir les grilles des brûleurs. Cela réduira le temps de nettoyage et empêchera les accumulations dangereuses d'aliments, étant donné que les éclaboussures ou les déversements importants laissés sur la cuisinière peuvent s'enflammer. Utilisez des poêles avec des poignées qui peuvent être facilement saisies et qui restent froides.
- **Eloignez tous les matériaux en plastique des brûleurs.**
- **Pour éviter les risques de brûlures, assurez-vous toujours que les contrôles des brûleurs sont à la position d'arrêt et toutes les grilles sont froides avant d'essayer de retirer une grille.**
- **Si la cuisinière est située près d'une fenêtre,** n'utilisez pas de longs rideaux qui pourraient être projetés au-dessus des brûleurs et constituer un risque d'incendie.
- **Si vous sentez du gaz,** coupez l'arrivée du gaz à la cuisinière et appelez un technicien de service qualifié. N'utilisez jamais de flamme vive pour rechercher les fuites.
- **Ne couvrez pas et ne bloquez pas la zone autour des boutons de la cuisinière.** Cette zone doit rester dégagée pour assurer une bonne ventilation et une bonne performance des brûleurs.
- **Cuisez la viande et la volaille complètement—** la viande à une température INTERNE d'au moins 160°F, et la volaille à une température INTERNE d'au moins 180°F. La cuisson à ces températures protège en général contre les maladies causées par les aliments contaminés.

CONSERVEZ CES INSTRUCTIONS

Caractéristiques

(tout au long de ce manuel, les caractéristiques et l'apparence peuvent varier).



Surface de cuisson au gaz 30 po (76 cm) ZGU384

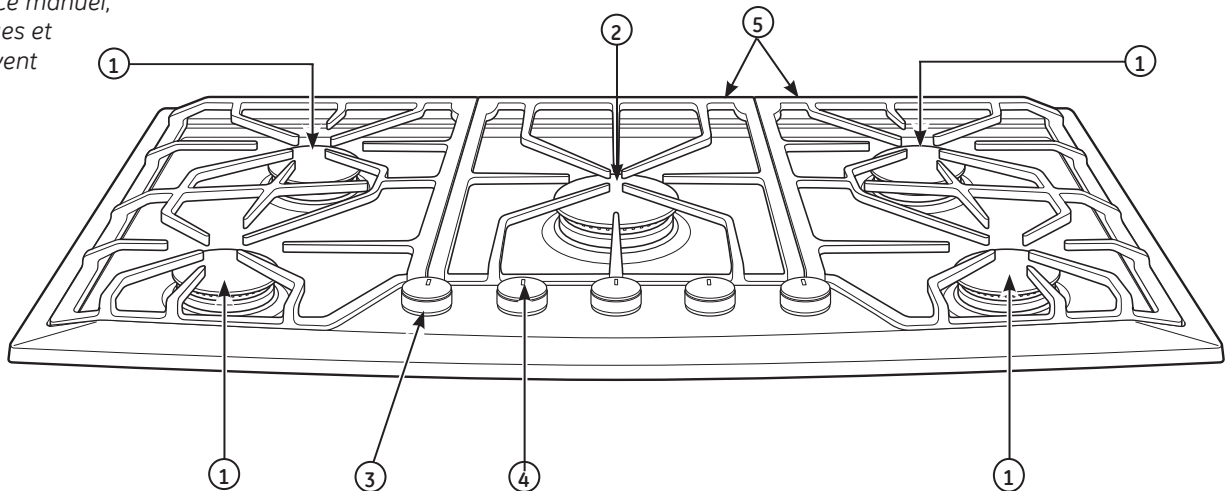
Index des caractéristiques		Page
1	Brûleurs à flamme double à l'épreuve des débordements—Rendement élevé	27, 30, 31
2	Brûleurs à flamme double à l'épreuve des débordements—Rendement extra élevé	27, 30, 31
3	Boutons de contrôle tactiles (un pour chaque brûleur de la surface)	26, 28
4	Témoins indicateurs de fonction « ON » du brûleur (un sur chaque bouton de contrôle)	26
5	Grilles du brûleur	29

Conversion carburant/gaz

Le modèle ZGU384N est expédié de l'usine, prêt pour un fonctionnement au gaz naturel. Le modèle ZGU384L est expédié de l'usine, prêt pour un fonctionnement au gaz de pétrole liquéfié (GPL). Si vous avez reçu le modèle inadéquat de type de gaz pour votre installation, des orifices de conversion de gaz doivent être installés. Les orifices de conversion de même que des instructions complètes sont emballés avec les deux modèles.

Caractéristiques

(tout au long de ce manuel, les caractéristiques et l'apparence peuvent varier).



Surface de cuisson au gaz 36 po (91 cm) ZGU385

Index des caractéristiques		Page
1	Brûleurs à flamme double à l'épreuve des débordements—Rendement élevé	27, 30, 31
2	Brûleurs à flamme double à l'épreuve des débordements—Rendement extra élevé	27, 30, 31
3	Boutons de contrôle tactiles (un pour chaque brûleur de la surface)	26, 28
4	Témoins indicateurs de fonction « ON » du brûleur (un sur chaque bouton de contrôle)	26
5	Grilles du brûleur	29

Conversion carburant/gaz

Le modèle ZGU385N est expédié de l'usine, prêt pour un fonctionnement au gaz naturel. Le modèle ZGU385L est expédié de l'usine, prêt pour un fonctionnement au gaz de pétrole liquéfié (GPL). Si vous avez reçu le modèle inadéquat de type de gaz pour votre installation, des orifices de conversion de gaz doivent être installés. Les orifices de conversion de même que des instructions complètes sont emballés avec les deux modèles.

Allumage et réallumage électronique

Les brûleurs de surface s'allument électroniquement.

Tous les allumeurs des brûleurs émettent un bruit de cliquetis et une étincelle même lorsqu'un seul brûleur est allumé. Ne touchez aucun des brûleurs lorsque les allumeurs font entendre un cliquetis.

Les brûleurs de cette surface de cuisson se réallument automatiquement si la flamme s'éteint. Ainsi, vous n'aurez jamais besoin de réallumer manuellement un brûleur.

Occasionnellement, les brûleurs peuvent faire des étincelles si un excès de vent ou un courant d'air souffle la flamme loin du capteur de flamme du brûleur.

Pour allumer un brûleur

Poussez le bouton de contrôle vers le bas tout en le tournant dans le sens **antihoraire** jusqu'à la position désirée, entre HI et LO ou à mijoter (SIM).

Une fois le brûleur allumé, tournez le bouton dans l'une ou l'autre direction pour ajuster la taille de la flamme.

Pour éteindre un brûleur, tournez le bouton dans le sens horaire, aussi loin que possible, jusqu'à la position OFF.

- Tous les brûleurs peuvent être utilisés pour la cuisson générale et le mijotage.
- Le réglage X-High est conçu pour une utilisation avec des casseroles de 10 po (25 cm) ou plus.
- Ne faites pas fonctionner le brûleur pendant longtemps sans qu'il n'y ait une casserole sur la grille. Le fini de la grille pourrait s'écailler sans casserole pour absorber la chaleur.

Comment choisir la taille de la flamme

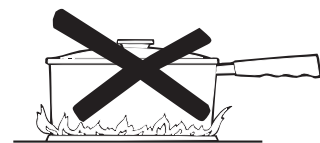
Surveillez la flamme, non pas le bouton, lorsque vous réduisez la chaleur.

La taille de la flamme d'un brûleur au gaz doit convenir au type de casserole utilisée.

POUR UNE MANIPULATION SANS DANGER DES CASSEROLES, NE LAISSEZ JAMAIS LES FLAMMES MONTER LE LONG DES CÔTÉS DES CASSEROLES. Toute flamme plus large que le bas de la casserole est du gaspillage et ne sert qu'à chauffer la poignée.

Dans le cas d'une panne de courant, vous pouvez allumer les brûleurs de votre surface de cuisson avec une allumette. Tenez l'allumette allumée près du brûleur, puis tournez le bouton à la position HIGH. **Soyez prudent lorsque vous allumez les brûleurs de cette façon.**

- Assurez-vous que les brûleurs et les grilles soient refroidis avant d'y déposer la main, une poignée de cuisine, des chiffons de nettoyage ou autres matériaux.
- Le témoin indicateur de chaque bouton indique que le brûleur est en marche (ON) ; toutefois, il ne doit pas représenter un substitut à la vérification visuelle de la flamme au brûleur.
- Assurez-vous de tourner le bouton de contrôle à la position « OFF » à la fin de la cuisson.



REMARQUE : le réglage X-High produit une flamme de taille supérieure. Utilisez des casseroles de 10 po (25 cm) lorsque vous utilisez ce réglage.

Porcelaine

Aluminium : Une batterie de cuisine de poids moyen est recommandée, car elle chauffe rapidement et uniformément. La plupart des aliments grillent également dans une casserole d'aluminium. Utilisez des poêlons à couvercle hermétique et cuisinez avec de petites quantités d'eau.

Fonte : si elles sont lentement chauffées, la plupart des casseroles vous donneront des résultats satisfaisants.

Métal émaillé : sous certaines conditions, l'émail de certaines batteries de cuisine pourrait fondre. Suivez les recommandations du fabricant de batteries de cuisine pour les méthodes de cuisson.

Verre : il y a deux types de batteries de cuisine de verre—celle pour le four seulement et celle pour la cuisson sur la cuisinière (poêlons, café et thé). Le verre conduit la chaleur très lentement.

Céramique de verre résistante à la chaleur

: sert à la cuisson de surface ou au four. Elle conduit la chaleur très lentement et se refroidit très lentement. Vérifiez les directives du fabricant de la batterie de cuisine pour être certain qu'elle puisse être utilisée avec les surfaces de cuisson au gaz.

Acier inoxydable : les propriétés de chauffage de ce métal seul sont médiocres et il est en général combiné avec le cuivre, l'aluminium ou d'autres métaux pour améliorer la répartition de chaleur. Les batteries de cuisine à combinaison de métal fonctionnent en général de façon satisfaisante si elles sont utilisées à chaleur moyenne ainsi qu'il est recommandé par le fabricant.

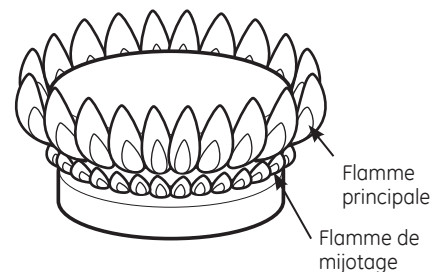
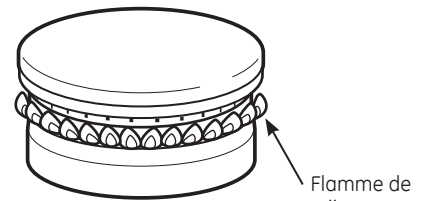
Brûleurs à flamme double à l'épreuve des débordements

Tous les brûleurs de votre surface de cuisson ont deux rangées de flammes. Ces brûleurs à flamme double possèdent une flamme de mijotage (inférieure) et une flamme principale (supérieure).

Lorsque le brûleur est allumé, la flamme de mijotage s'allume et reste allumée.

Mijotage : le réglage mijotage (SIM) utilisera uniquement les flammes inférieures. Utilisez la fonction de mijotage (SIM) pour faire fondre le chocolat, maintenir des sauces délicates ou autres aliments qui exigent une chaleur douce.

Cuisson principale : les réglages de LO à HI utilisent les deux rangées de flammes. Utilisez-les pour la cuisson générale.



Renseignements généraux

Un entretien et un nettoyage adéquats sont importants pour que votre surface de cuisson vous procure un service efficace et satisfaisant. Suivez soigneusement ces directives lors de l'entretien.

Certains modèles de surfaces de cuisson sont livrés avec des nettoyeurs. Suivez les instructions données sur les conteneurs.

Avant de nettoyer une partie de votre surface de cuisson, assurez-vous que tous les brûleurs sont éteints et refroidis.

Surfaces en acier inoxydable

N'utilisez pas de tampon de laine d'acier, car il égratignerait la surface.

Pour nettoyer la surface d'acier inoxydable, utilisez une eau tiède et savonneuse, un nettoyeur à acier inoxydable ou un nettoyeur tout-usage liquide ou en vaporisateur. Frottez toujours dans le sens du grain. Rincez à fond avec une éponge ou un chiffon et de l'eau propre. Séchez à l'aide d'un chiffon propre et doux.

Après le nettoyage, utilisez un poli à acier inoxydable, comme le Stainless Steel Magic®, Revere Copper and Stainless Steel Cleaner® ou le Wenol All Purpose Metal Polish®. Suivez les instructions du produit pour le nettoyage de la surface d'acier inoxydable.

Utilisez un éclaircissant à acier inoxydable lorsque ce dernier est exposé à des chaleurs élevées et présente une allure jaunie. Le nettoyeur pour acier inoxydable est destiné à d'autres types de nettoyage. Suivez les instructions du produit pour les méthodes de nettoyage appropriées. Pour tout supplément de fournitures, n'hésitez pas à composer le **800.561.3344**.

Boutons de contrôle

Les boutons de contrôle se retirent pour faciliter le nettoyage.

Pour retirer le bouton, tirez-le en ligne droite.

Les boutons possèdent une surface de saisie tactile, mais ils ne requièrent aucun nettoyage spécial.

Lavez-les à l'eau et au savon, mais ne les faites pas tremper. Évitez que l'eau ne pénètre dans les orifices des tiges de bouton.

Remplacez les boutons après les avoir fait sécher.

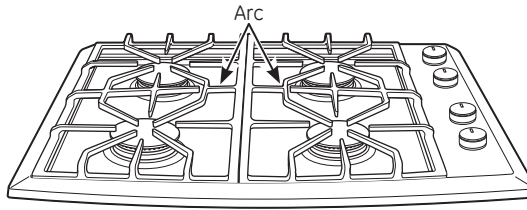
N'essayez PAS de laver les boutons au lave-vaisselle.

REMARQUE : la tige du bouton a la forme d'un « D ». Remplacez le côté plat du bouton du côté plat de la tige.

Grilles du brûleur

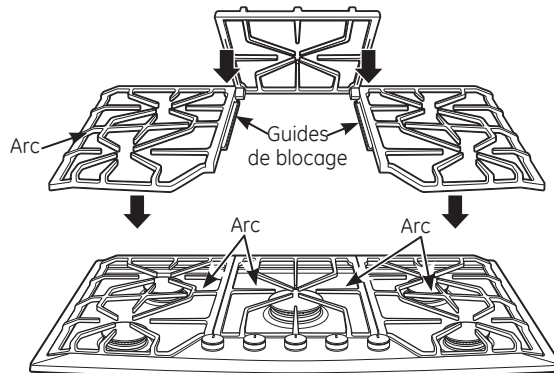
Les grilles de fonte du brûleur doivent être lavées régulièrement, en particulier après un débordement. Lavez-les à l'eau chaude et savonneuse, puis rincez-les à l'eau claire. Séchez les grilles à l'aide d'un chiffon propre et doux. Les grilles peuvent également être lavées au lave-vaisselle.

Lorsque vous les remplacez, assurez-vous qu'elles sont positionnées solidement par-dessus les brûleurs.



Modèle ZGU384 : remplacez les deux grilles latérales de façon à ce qu'un « arc » continu soit formé par les membrures centrales des deux grilles. Assurez-vous que les deux grilles sont stables et de niveau.

Modèle ZGU385 : remplacez les deux grilles



latérales de façon à ce que leurs guides de blocage soient dirigés vers la grille centrale afin que les membrures centrales des trois grilles forment un « arc » continu. Assurez-vous que la grille centrale est verrouillée par-dessus les guides des grilles latérales et que toutes les grilles sont stables et de niveau.

Pour les débarrasser des aliments cuits, placez les grilles dans un contenant couvert ou un sac de plastique. Ajoutez 1/4 tasse d'ammoniaque et laissez tremper pendant 30 minutes. Lavez, rincez et asséchez bien.

Bien que les grilles soient durables, elles perdront leur éclat graduellement peu importe leur entretien, à cause de leur exposition continue à des températures élevées.

Ne faites pas fonctionner le brûleur pendant longtemps sans qu'il n'y ait une casserole sur la grille. Le fini pourrait s'écailler sans casserole pour absorber la chaleur.

Pieds de grille de caoutchouc

À des fins d'assurer leur stabilité, la base de vos grilles a des pieds de caoutchouc. Si ces pieds sont endommagés ou perdus, remplacez-les immédiatement.

Pour commander des pieds de grille de caoutchouc de rechange, composez notre numéro sans frais :

National Parts Center 800.626.2002

N° de pièce pour pieds de grilles en caoutchouc N° WB02T10101

Brûleurs à flamme double à l'épreuve des débordements

Le brûleur est composé de trois parties : la base du brûleur, la tête du brûleur et le capuchon du brûleur. La tête et le capuchon du brûleur peuvent être retirés, ce qui facilite leur nettoyage.

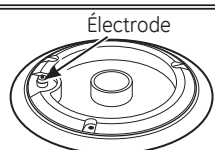
MISE EN GARDE : NE FAITES PAS FONCTIONNER LE BRÛLEUR SANS QUE TOUTES LES PIÈCES SOIENT EN PLACE.

Nettoyez régulièrement les brûleurs de la surface, en particulier s'il y a eu débordement, ce qui pourrait obstruer les fentes et orifices des têtes de brûleur. Une aiguille à coudre ou un fil métallique torsadé fonctionnent bien pour débloquer ces ouvertures.

Toutes les fentes et orifices de la tête de brûleur doivent être gardés propres en tout temps pour assurer un allumage adéquat et une flamme égale et forte.

L'électrode est située sur l'un des côtés de chacun des brûleurs. **Lorsque le brûleur est en marche (ON), tous les brûleurs produisent des étincelles.**

N'essayez pas de démonter un brûleur ou de nettoyer autour lorsqu'un autre brûleur est allumé. Un choc électrique pourrait en découler ce qui vous ferait peut-être renverser des casseroles brûlantes.



Nettoyage

Retirez les pièces du brûleur seulement lorsqu'elles sont refroidies (voir page suivante). Lavez-les à l'eau chaude et savonneuse. Vous pouvez utiliser un tampon à récurer en plastique pour éliminer les particules d'aliments cuits.

Pour retirer les aliments cuits, faites tremper les têtes du brûleur dans une solution de détergent doux et d'eau chaude pendant 20 à 30 minutes. Pour les taches tenaces, utilisez un tampon à récurer en plastique ou une brosse à dents.

Si le débordement a atteint la tête du brûleur, lavez-la à l'eau courante et secouez pour éliminer l'excès d'eau.

Après le nettoyage

Avant de replacer les pièces du brûleur, secouez l'excès d'eau, puis séchez à fond.

Brûleurs à flamme double à l'épreuve des débordements (suite)

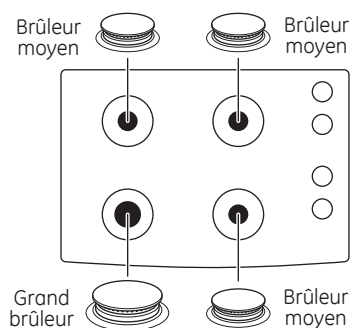
Pour retirer les pièces du brûleur :

REMARQUE : avant de retirer les pièces du brûleur, souvenez-vous de leur taille et de leur emplacement. Remplacez-les au même endroit après les avoir nettoyées pour assurer le fonctionnement adéquat du brûleur.

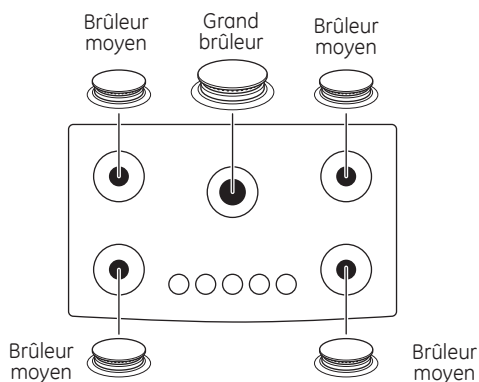
1. Éteignez toutes les commandes (**OFF**) avant de retirer les pièces du brûleur.
2. Lorsqu'elles sont refroidies, vous pouvez retirer les grilles, les capuchons et les têtes du brûleur pour faciliter le nettoyage. **Ne retirez pas les bases du brûleur.**

Pour replacer les pièces du brûleur :

Assurez-vous que les pièces du brûleur sont replacées au bon endroit.



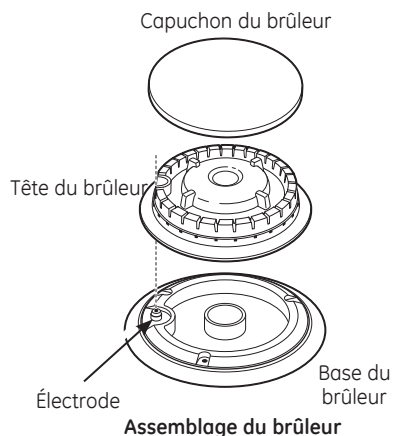
Le modèle ZGU384 possède une tête et un capuchon de brûleur de grande taille de même que trois jeux de têtes et de capuchons de brûleur de taille moyenne.



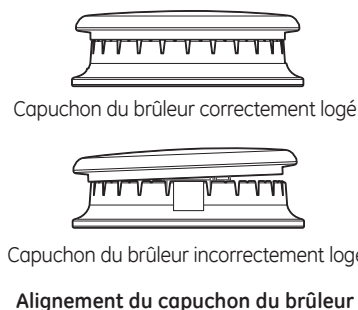
Le modèle ZGU385 possède une tête et un capuchon de brûleur de grande taille de même que quatre jeux de têtes et de capuchons de brûleur de taille moyenne.

Ces pièces de brûleur ne sont pas interchangeables.

1. Replacez la tête du brûleur par-dessus la base, en vous assurant que l'orifice de la tête est correctement aligné avec l'électrode de la base. Un léger écart entre la base et la tête est normal.



2. Placez le capuchon du brûleur par-dessus la tête du brûleur. Assurez-vous qu'il est correctement logé sur la tête du brûleur.



Alignement du capuchon du brûleur

Allumage électronique et électrodes de réallumage

L'électrode du système d'allumage électronique est placée au-dessus de la surface de la base du brûleur. Lorsque vous nettoyez la surface de cuisson, attention de ne pas vous accrocher dans l'électrode avec votre chiffon de nettoyage. Cela pourrait endommager l'allumeur.

Attention de ne pas enfoncer un bouton de contrôle lors du nettoyage. Cela pourrait déclencher l'allumeur.

Assurez-vous que les allumeurs de céramique blanche de la surface de cuisson sont propres et secs. Nettoyez la portion métallique de l'électrode à l'aide d'un chiffon doux.

Électrode de la surface de cuisson




Nettoyez cette pièce de métal



Ne nettoyez pas cette pièce de céramique blanche avec une lime-émeri

REMARQUE : n'essayez pas de retirer l'électrode de la surface de cuisson.

Questions ?
Avant
d'appeler
le service...

PROBLÈME	CAUSE POSSIBLE
LES BRÛLEURS NE S'ALLUMENT PAS OU S'ALLUMENT DE FAÇON ALÉATOIRE	<ul style="list-style-type: none"> Assurez-vous que la prise électrique est branchée dans une prise électrique alimentée. Les pièces du brûleur n'ont pas été correctement replacées. Les fentes des têtes de brûleur peuvent être obstruées.
LES BRÛLEURS PRODUISENT DES FLAMMES JAUNES OU DES FLAMMES DONT L'EXTRÉMITÉ EST JAUNE	<ul style="list-style-type: none"> Les pièces du brûleur n'ont pas été correctement replacées. Consultez la section Assemblages de brûleurs scellés. La qualité de combustion des flammes du brûleur doit être déterminée visuellement. <div style="display: flex; justify-content: space-around; align-items: flex-start;"> <div style="text-align: center;">  <p>A. Flammes jaunes : <i>appelez le service à la clientèle.</i></p> </div> <div style="text-align: center;">  <p>B. Extrémités jaunes sur les cônes extérieurs : <i>normal pour le GPL.</i></p> </div> <div style="text-align: center;">  <p>C. Flammes bleu doux : <i>normal pour le gaz naturel.</i></p> </div> </div> <ul style="list-style-type: none"> Si les flammes du brûleur ressemblent à celles illustrées à la figure (A), appelez le service. Les flammes de brûleur normales devraient ressembler à celles illustrées à la figure (B) ou (C), selon le type de gaz utilisé. Avec le gaz PL, les extrémités jaunes sur les cônes extérieurs sont normales.
LES FLAMMES DU BRÛLEUR SONT TRÈS GRANDES OU JAUNES	<ul style="list-style-type: none"> La surface de cuisson est peut-être branchée au mauvais type de gaz. Prenez contact avec la personne qui a installé votre surface de cuisson ou fait la conversion.
LE BOUTON DE CONTRÔLE DU BRÛLEUR NE TOURNE PAS	<ul style="list-style-type: none"> Lorsque le bouton est en position OFF, il doit être poussé vers le bas avant de le tourner et il peut être tourné uniquement dans le sens antihoraire. Lorsque le bouton est dans une autre position, il peut être tourné dans un sens ou dans l'autre sans avoir à le pousser.

Avec l'achat de votre nouvel appareil Monogram vous recevez aussi l'assurance que si vous avez besoin d'information ou d'aide de GE, nous serons là pour vous. Vous n'avez qu'à composer le numéro sans-frais !

GE Answer Center®

800.561.3344

Peu importe votre question au sujet des appareils électroménagers Monogram, le GE Answer Center® est là pour vous aider. Vous aurez les réponses à vos questions rapidement et de manière courtoise. Appelez au centre d'appels GE Answer Center^{MD} du lundi au vendredi entre 8 h 00 et 22 h 00 HNE, et le samedi entre 8 h 00 et 19 h 00 HNE.

OU

Visitez notre site Web au : **monogram.com**

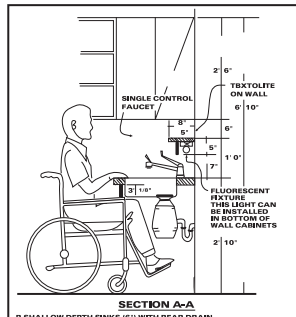
Le service de réparation In-Home

800.561.3344

Un professionnel du service à la clientèle GE vous fournira un service de réparation expert à un moment qui vous convient. Pour prendre rendez-vous, appelez entre 7 h 00 et 20 h 00 HNE en semaine, ou entre 8 h 00 et 17 h 00 HNE les samedis et dimanches. De nombreux endroits gérés par GE Consumer Service (service à la clientèle) vous offrent un service le jour même ou le lendemain ou selon ce qui vous convient. Nos techniciens formés en usine connaissent votre appareil de fond en comble et la plupart des réparations peuvent donc être réglées en une seule visite.

Pour les clients aux besoins spéciaux...

**Aux États-Unis :
800.626.2000**



GE offre sans frais une brochure pour aider à la planification d'une cuisine sans barrière pour les personnes à mobilité limitée.

Les clients malentendants ou ayant des difficultés d'élocution et qui ont accès à un ATME ou à un téléimprimeur traditionnel peuvent composer le 1.800.TDD.GEAC (1.800.833.4322) pour demander de l'information ou des services.

Contrats de service

800.561.3344

Ne vous inquiétez pas non plus pour le service après la fin de votre garantie, GE Consumer Service sera encore là. Achetez un contrat de GE avant la fin de votre garantie et vous bénéficierez d'un rabais important. Avec un contrat de plusieurs années, vous êtes assuré d'avoir un service futur aux prix actuels.

Pièces et accessoires

800.561.3344

Les personnes qualifiées pour la réparation de leurs propres appareils peuvent faire envoyer directement les pièces ou les accessoires à leur résidence. Le système de pièces GE offre un accès à plus de 47 000 pièces et toutes les pièces de rechange originales de GE sont entièrement garanties. Nous acceptons les cartes VISA, MasterCard et Discover.

Les instructions de maintenance par l'utilisateur regroupées dans ce manuel couvrent les procédures à effectuer par tout utilisateur. Tout autre entretien et toute réparation doivent être confiés à un personnel qualifié. Soyez prudent, car un mauvais entretien ou une mauvaise réparation pourrait provoquer un fonctionnement dangereux.

VOTRE GARANTIE MONOGRAM SUR LA SURFACE DE CUISSON
Agrafez votre reçu ou votre chèque annulé ici. Vous devez
fournir la preuve de date d'achat d'origine pour obtenir le
service sous garantie.

CE QUI EST
COUVERT

à partir de la
date d'achat
d'origine

GARANTIE LIMITÉE D'UN AN

Pour un an à partir de la date d'achat d'origine, nous vous fournirons, sans aucuns frais, les pièces et la main-d'œuvre, chez vous, pour la réparation ou le remplacement de toutes les pièces de **la surface de cuisson** qui pourraient être défectueuses à cause d'un défaut de fabrication.

.....

Cette garantie est offerte à l'acheteur original et à tout propriétaire successif pour les produits achetés à des fins d'utilisation résidentielle dans les 48 états continentaux, Hawaii, Washington (D.C.) ou au Canada. Si l'appareil se trouve dans une région où il n'y a aucun centre de service autorisé GE, vous devrez déboursier les frais de transport ou apporter l'appareil dans une région où on retrouve un centre de service autorisé GE. En Alaska, la garantie est la même sauf qu'elle est LIMITÉE puisque vous devez payer l'expédition du produit à l'atelier de service ou le coût du voyage d'un technicien de service jusqu'à votre domicile.

Tout le service sous garantie est fourni par nos Centres de service en usine ou par un technicien de Customer Care® autorisé durant les heures normales de travail.

Si votre appareil a besoin de réparations, durant la période de garantie ou après, vous pouvez composer le 1.800.444.1845 aux É.-U. Au Canada : 1.800.561.3344. Veuillez avoir le numéro de série et de modèle sous la main lorsque vous appelez notre service de réparations.

CE QUI N'EST
PAS COUVERT

- Les déplacements de service à domicile pour vous enseigner comment utiliser le produit.
- Mauvaise installation, livraison ou maintenance.
Pour tout problème lié à l'installation, veuillez communiquer avec votre détaillant ou installateur. Vous êtes responsable de l'installation adéquate de l'électricité ou du gaz de même que de toute autre installation de connexion ainsi qu'il est décrit dans les Instructions d'installation fournies avec le produit.
- Remplacement des fusibles résidentiels ou réinitialisation des disjoncteurs.
- Dommages au produit à cause d'un mauvais emploi ou d'un abus.
- Défaillance du produit à la suite d'une utilisation à des fins autres que celles prévues ou à une utilisation commerciale.
- Dommages au produit suite à un accident, un incendie, une inondation ou une calamité naturelle.
- Dommages indirects ou consécutifs causés par des défauts possibles de l'appareil.
- Dommages après la livraison.
- Produit non accessible pour effectuer les réparations nécessaires.

EXCLUSION DE GARANTIES TACITES—Votre seul et unique recours est la réparation du produit suivant les modalités de la garantie limitée. Toutes les garanties tacites, y compris les garanties de valeur marchande ou d'adéquation à des fins particulières, sont limitées à une durée d'un an, ou à la durée la plus courte autorisée par la loi en vigueur.

Certains états/provinces n'acceptent pas d'exclusion ou de limites aux dommages indirects et consécutifs, il se peut donc que l'exclusion précédente ne s'applique pas dans votre cas. Cette garantie vous donne des droits juridiques précis et vous pourriez aussi avoir d'autres droits qui varient d'un état/province à l'autre. Pour connaître les droits juridiques de votre état/province, consultez le bureau local des affaires aux consommateurs de votre état/province ou le procureur général de votre état/province.

Garant aux É.-U. : General Electric Company, Louisville, KY 40225

Garant au Canada : Mabe Canada Inc.

