

# Installation Instructions

36" Built-In All-Refrigerators  
and All-Freezers

Design Guide  
With Installation Instructions

# Safety Information

## BEFORE YOU BEGIN

Read these instructions completely and carefully.

- **IMPORTANT** – Save these instructions for local inspector's use. Observe all governing codes and ordinances.
- **Note to Installer** – Be sure to leave these instructions with the Consumer.
- **Note to Consumer** – Keep these instructions with your Owner's Manual for future reference.

If you received a damaged unit, you should immediately contact your dealer or builder.

**Skill Level** – Installation of this unit requires basic mechanical, carpentry and plumbing skills. Proper installation is the responsibility of the installer. Product failure due to improper installation is not covered under the Monogram Warranty. See the Owner's Manual for warranty information.

### **⚠ WARNING** **Electrical Shock Hazard.**

Plug into a grounded 3-prong outlet.

Do not remove the ground prong.

Do not use an adapter.

Immediately discontinue use of a damaged supply cord.

If the supply cord is damaged it must be replaced by a qualified service professional with an authorized service part from the manufacturer.

Do not use an extension cord with this appliance.

Failure to follow these instructions can result in death, fire, or electrical shock.

Follow the instructions in the section Grounding the unit.

This appliance must be installed with a means in the fixed house wiring or circuit breaker for disconnecting the appliance from the electrical supply after installation.

### **⚠ WARNING** **Tip Over Hazard.**

These appliances are top heavy, especially with any doors open, and must be secured to prevent tipping forward which could result in death or serious injury. Read and follow the entire installation instructions for securing the appliance with the anti-tip system.

### **⚠ WARNING** **Explosion Hazard.**

Keep flammable materials and vapors, such as gasoline, away from appliance. Failure to do so can result in fire, explosion, or death.

**⚠ WARNING** To reduce the risk associated with choking, do not allow children under 3 years of age to have access to small parts during the installation of this product.

### **⚠ CAUTION** **Lifting Hazard**

This unit is very heavy. To reduce the risk of person injury during maneuvering and installing this appliance, 3 people are required for proper installation.

**⚠ CAUTION** Keep fingers out of the "pinch point" areas; clearances between the doors and between the doors and cabinet are necessarily small. Be careful closing doors when children are in the area.

For Monogram local service in your area, call 1.800.444.1845 or visit [monogram.com](http://monogram.com).

For Monogram service in Canada, call 1.800.561.3344

For Monogram Parts and Accessories, call 1.800.444.1845 or visit [monogram.com](http://monogram.com).

# Consignes de sécurité

## AVANT DE COMMENCER

Veillez lire toutes ces instructions attentivement.

- **IMPORTANT** – Conservez ces instructions à l'usage de l'inspecteur local. Observez tous les codes et décrets en vigueur.
- **Note à l'installateur** – Assurez-vous de laisser ces instructions au consommateur.
- **Note au consommateur** - Conservez ces instructions avec votre manuel d'utilisation pour consultation ultérieure.

Si vous avez reçu un appareil endommagé, veuillez communiquer immédiatement avec votre revendeur ou votre entrepreneur.

**Niveau de compétence** – L'installation de cet appareil exige des compétences de base en mécanique, menuiserie et plomberie. La responsabilité d'une installation adéquate relève de l'installateur. La garantie Monogram ne couvre pas les défauts du produit causés par une installation inadéquate. Consultez le manuel d'utilisation pour des renseignements sur la garantie.

### **AVERTISSEMENT** Risque d'électrocution.

Branchez l'appareil dans une prise à 3 broches mise à la terre. N'enlevez pas la broche de mise à la terre. N'utilisez pas un adaptateur.

Cessez immédiatement l'utilisation d'un cordon électrique endommagé. Si le cordon électrique est endommagé, son remplacement doit être exécuté par un technicien en réparation qualifié au moyen d'un cordon de rechange autorisé par le fabricant.

N'utilisez pas un cordon de rallonge avec cet électroménager.

Le non-respect de ces instructions peut occasionner un décès, un incendie ou un choc électrique.

Suivez les instructions de la section Mise à la terre de l'appareil.

Le circuit électrique auquel cet électroménager sera raccordé doit comporter un disjoncteur ou un autre dispositif permettant de couper l'alimentation électrique à l'appareil après l'installation.

### **AVERTISSEMENT** Risque de basculement.

Ces électroménagers sont lourds du haut, notamment lorsqu'une porte est ouverte, de sorte qu'ils doivent être fixés pour prévenir un basculement vers l'avant susceptible d'occasionner des blessures graves ou la mort. Lisez et observez la totalité des instructions d'installation pour connaître la façon de fixer l'électroménager sur le dispositif antibasculement.

### **AVERTISSEMENT** Risque d'explosion.

Gardez les matières et les vapeurs inflammables telles que l'essence à distance de l'électroménager. L'omission de prendre cette précaution peut entraîner un incendie, une explosion ou la mort.

### **AVERTISSEMENT** Pour réduire le risque d'étouffement pendant l'installation de ce produit, ne pas laisser les petites pièces à la portée des enfants âgés de moins de 3 ans.

### **AVERTISSEMENT** Risque lié à la manipulation d'un objet lourd

Cet appareil est très lourd. Afin de réduire le risque de blessure pendant la manipulation et l'installation de cet électroménager, la participation de 3 personnes est nécessaire à l'exécution d'une installation correcte.

### **AVERTISSEMENT** Gardez vos doigts éloignés des points de pincement. Les espaces entre les portes et ceux entre les portes et l'armoire sont particulièrement restreints. Soyez prudent lorsque vous fermez les portes en présence d'enfants.

Pour joindre le service Monogram de votre région, composez le 1.800.444.1845 ou visitez [monogram.com](http://monogram.com).

Pour le service Monogram au Canada, composez le 1.800.561.3344.

Pour le service des Pièces et accessoires Monogram, composez le 1.800.444.1845 ou visitez [monogram.com](http://monogram.com).

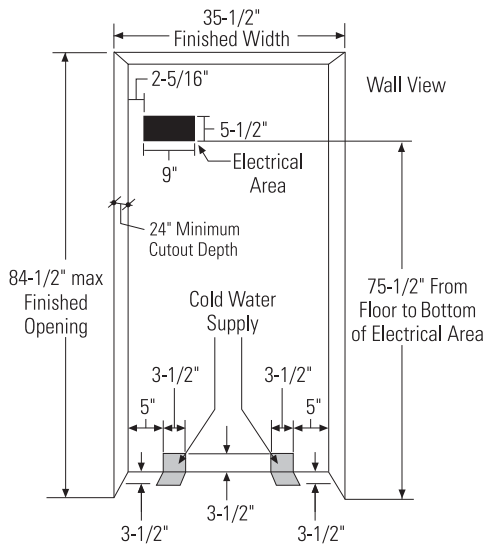
# Contents

<b>Safety</b>	2	Unified Door Panel Dimensions	30
<b>Instructions for Standard Installation</b>	5	Refrigerator Location	30
<b>Planning Guide</b>		<b>Installation Instructions</b>	
The Installation Space	6	Tools, Hardware, Materials	31
Dimensions and Clearances	6	Grounding the Unit	31
Customization Basics	8	Step 1. Remove Packaging	32
Refrigerator Location	8	Step 2. Install Water Line	32
1/4" Framed Panel Dimensions	9	Step 3. Install Side Panels	32
3/4" Overlay Panel Dimensions	9	Step 4. Install Case Trim	33
Side Panels	10	Step 5. Anti-Tip Bracket	33
ZUG2 Grille Panel Dimensions	10	Step 6. Level Unit	35
130° Door Swing	11	Step 7. Adjust Door Swing	36
<b>Installation Instructions</b>		Step 8. Install Grille Panel	36
Tools, Hardware, Materials	12	Step 9. Install overlay Panels	37
Grounding the Unit	12	Step 10. Connect Water Supply	38
Step 1. Remove Packaging	13	Step 11. Start Icemaker	38
Step 2. Install Water Line	13	Step 12. Install Toekick	38
Step 3. Install Side Panels	14		
Step 4. Anti-Tip Procedures	14	<b>Instructions for Stainless Steel Installation</b>	39
Step 5. Level Unit	17	<b>Planning Guide</b>	
Step 6, Secure Unit to Wall	17	The Installation Space	40
Step 7. Adjust Door Swing	18	Dimensions and Clearances	40
Step 8. Install Grille Panel	18	Customization Basics	42
Step 9. Install Framed Panels	19	Refrigerator Location	42
Step 9A. Install Overlay Panels	20	130° Door Swing	43
Step 10. Connect Water Supply	21	<b>Installation Instructions</b>	
Step 11. Start Icemaker	21	Tools, Hardware, Materials	44
Step 12. Install Toekick	21	Grounding the Unit	44
<b>Instructions for Flush Installation</b>	22	Step 1. Remove Packaging	45
<b>Planning Guide</b>		Step 2. Install Water Line	45
The Installation Space	23	Step 3. Install Side Panels	45
Dimensions and Clearances	23	Step 4. Anti-Tip Bracket	46
Custom Handle Design Guide	24	Step 5. Level Unit	48
1/2" Overlay Panel Dimensions	25	Step 6, Secure Unit to Wall	49
3/4" Decorative Panel Dimensions	26	Step 7. Adjust Door Swing	49
3/4" Raised Door Panel Routing	27	Step 8. Connect Water Supply	50
3/4" Raised Grille Panel Routing	28	Step 9. Start Icemaker	50
3/4" Raised Door Panel Routing		Step 10. Install Toekick	50
for Unified Installation	29		
Side Panels	30		
Side Cleats	30		
ZUG2 Grille Panel Dimensions	30		

# **Instructions for Standard Installation**

# Design Guide - Standard Installation

## THE INSTALLATION SPACE



### Water And Electrical Locations

Electrical and water supply must be located as shown.

### The Cutout Depth Must Be 24" (60.96 cm) Minimum

The unit will project forward, slightly beyond adjacent cabinetry, depending on your installation.

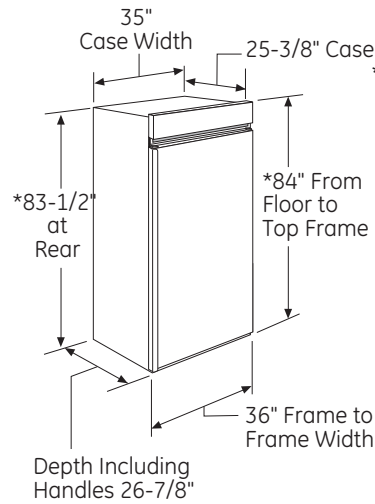
### Cutout Depth Beneath a Soffit:

When installed beneath a soffit, the soffit cannot exceed the 24" (60.96 cm) installation depth shown. The top case trim overlaps the bottom of the soffit.

### Additional Specifications

- A 115 volt 60Hz., 15 or 20 amp power supply is required. An individual properly grounded branch circuit or circuit breaker is recommended. Install a properly grounded 3-prong electrical receptacle recessed into the back wall. Electrical must be located on rear wall as shown.
- Water line can enter the opening through the floor or back wall. The water line should be 1/4" O.D. copper tubing or QuickConnect™ kit between the cold water line and water connection location, long enough to extend to the front of the unit. Installation of an easily accessible shut-off valve in the water line is required.

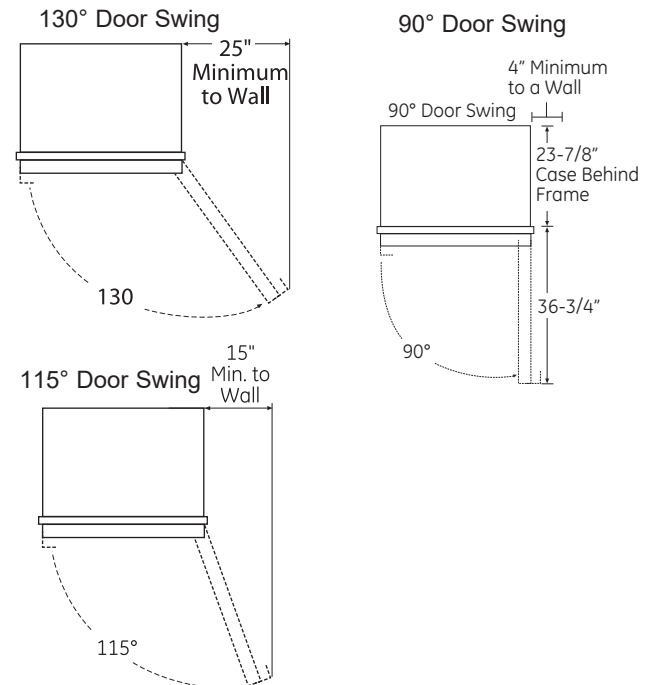
## DIMENSIONS AND CLEARANCES



\* Shipping height. The product can be adjusted to fit into a cutout that is 84-1/2" (214.63 cm) max. height. Note that the top case trim at the front is 1/2" (1.27 cm) higher and will overlap upper cabinetry or soffit. Use leveling legs and wheels for a maximum 1" (2.54 cm) height adjustment.

### Product Clearances

These units are equipped with a 3-position door stop. The factory set 115° door swing can be adjusted to 90° if clearance to adjacent cabinets or walls is restricted. Order WX14X99 door stop for precise settings between 90° and 130°.



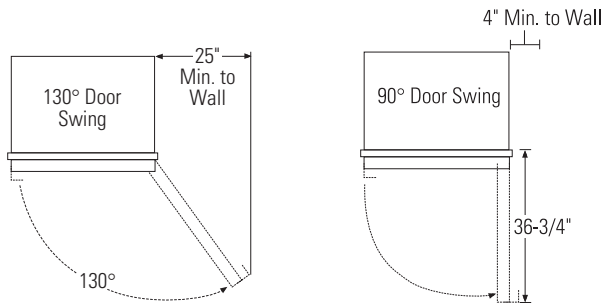
Allow 25" (63.5 cm) minimum clearance for a full 130° door swing. Allow 15" (38.1 cm) for pan removal.

For a 90° door swing, allow 4" (10.16 cm) minimum clearance to a wall. If the 90° doorstop position is used, pan access is maintained but pan removal is restricted.

See illustration on page 11 to determine door swing interaction with adjacent cabinets or countertops.

# Design Guide - Standard Installation

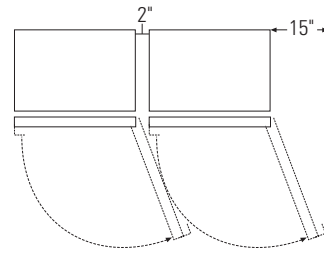
## CLEARANCES



These units are equipped with a 3-position door stop. The factory set 115° door swing can be adjusted to 90° or 130° if clearance to adjacent cabinets or walls is restricted. Order WX14X99 door stop for precise settings between 90° and 130°.

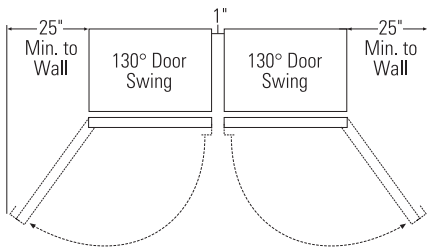
### When Installed into a corner:

Allow 25" (63.5 cm) for a full 130° door swing. Allow 15" (38.1cm) for pan removal. Allow 4" (10.16 cm) min. clearance when door swing is adjusted to a 90° opening for pan access, but pan removal is restricted.



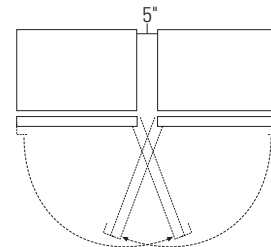
**Clearances for two products installed side-by-side with the same (left or right) door swing**  
Allow 2" (5.08 cm) minimum clearance between the products to prevent door swing interference. Order the WX14X99 adjustable door stop to reduce the factory set 115° door swing. Allow 15" (38.1cm) minimum to a wall to achieve full drawer extension and pan removal.

**NOTE:** ZUG2 and ZUGSS2 Grille Panel Kit will **NOT** fit this installation.



### Clearances for Multiple Single Door Installations

In a side-by-side installation of a left and right door swing product, a 1" (2.54 cm) clearance between the units is required. Order ZUGSS2 Stainless Steel Unified Grille Panel Kit or ZUG2 Custom Panel Unified Grille Panel Kit for one continuous grille panel.



**Clearances for two products installed side-by-side with right and left side hinges together** Allow 5" (12.7 cm) minimum between the two products to prevent one door from striking the other. Use the WX14X99 adjustable door stop to reduce the factory set 115° door swing and to allow pan removal.

**NOTE:** ZUG2 and ZUGSS2 Grille Panel Kit will **NOT** fit this installation.

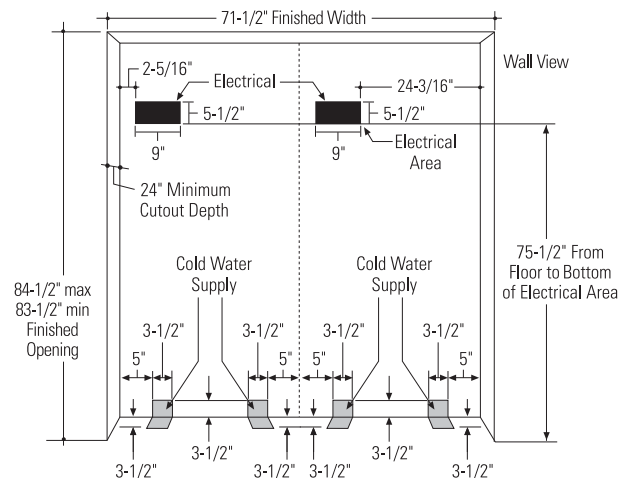
## INSTALLATION

### ZUG2, ZUGSS2 Unified Grille Panel Kit

- If you are installing two units, side by side, the installation space must be 71-1/2" (181.61 cm) wide.

**NOTE:** Additional cutout width may be required when side panels are used. Add side panel thickness to the finished cutout to calculate rough-in width.

- The water and electrical locations for each product must be located as shown.
- A separate 115V, 60Hz., 15 or 20 amp power supply is recommended for each product.



# Design Guide - Standard Installation

---

## **CUSTOMIZATION BASICS:**

### **Framed or Overlay Panels, Custom Handles and Accessory Kits**

Trimmed models are designed to be customized with decorative panels. Field installed custom door and grille panels are required.

#### **Optional Accessory Kits**

- ZKHSS2: Monogram Tubular Stainless Steel handles designed to fit 3/4" (1.9 cm) overlay panels.
- ZKHPSS1: Pro Tubular Stainless Steel handle designed to fit 3/4" (1.9 cm) overlay panels.
- ZUG2: For side-by-side installation of two trimmed models. This kit provides for the installation of a unified custom grille panel to span the width of two units using a framed or overlay panel.

## **REFRIGERATOR LOCATION**

- Do not install the refrigerator where the temperature will go below 55°F (13°C). It will not run often enough to maintain proper temperatures.
- Do not install the refrigerator where temperatures will go above 100°F (37°C). It will not perform properly.
- Do not install the refrigerator in a location exposed to water (rain, etc.) or direct sunlight.
- Install it on a floor strong enough to support it fully loaded.



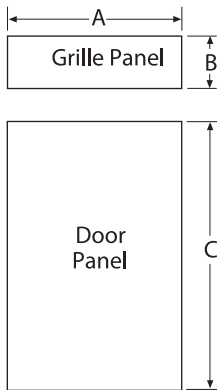
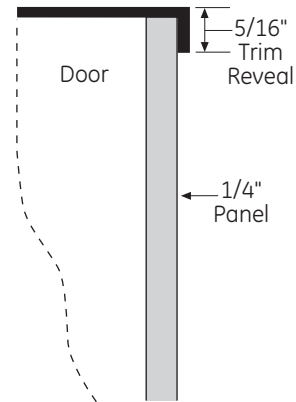
# Design Guide - Standard Installation

## 1/4" (0.63 cm) FRAMED PANEL DIMENSIONS

If you choose to install framed panels, they must be cut to the dimensions shown. The panels will slide into the frame on the door and grille.

If the custom panel is less than 1/4" (0.63 cm) thick and if it fits loosely in the door frame, it can be backed up with a piece of filler material or foam tape to improve the fit.

**IMPORTANT NOTE:** Maximum weight for door panel is 67 pounds (30.39 kg). Maximum total weight for assembled grille panel is 11 pounds (4.99 kg).



Framed Panel Dimensions			
1/4" (0.63 cm) Framed Panel	A (Width) 33-7/8" (86.04 cm)	B (Grille Height) 8-7/8" (22.54 cm)	C (Door Height) 69-5/16" (176.05 cm)
Overlay Panel Dimensions			
1/4" (0.63 cm) Backer Panel	A (Width) 33-7/8" (86.04 cm)	B (Grille Height) 8-7/8" (22.54 cm)	69-5/16" (176.05 cm)
0.10" (0.25 cm) Spacer Panel	32-1/2" (82.55 cm)	7-5/8" (20 cm)	67-15/16" (172.56 cm)
3/4" (1.9 cm) Overlay Panel	34-1/8" (96.67 cm)	9" (22.86 cm)	69-9/16" (176.69 cm)

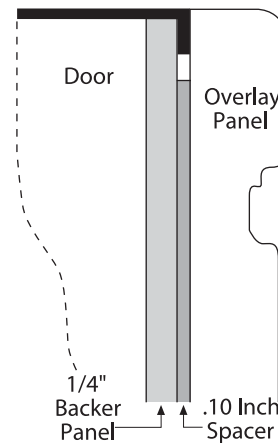
## 3/4" (1.9 cm) OVERLAY PANEL DIMENSIONS

For a more custom appearance, overlay panels may be installed on trimmed models. The overlay panel must be secured to a 1/4" (0.63 cm) thick backer panel which slides into the trim. A spacer panel 0.10" (0.25 cm) thick must be placed between the overlay and backer panel.

**IMPORTANT NOTE:** Maximum total weight for assembled door panel is 67 pounds (30.39 kg). Maximum total weight for assembled grille panel is 11 pounds (4.99 kg).

Assemble the panels with glue and screws.

- Center the spacer panel on the backer panel, left to right and top to bottom. Secure the panels with glue.
- Center the spacer and backer panel on the overlay panel and secure with glue and screws. Screws must be countersunk into the backer panel.



**NOTE:** Left-to-right offset is not always equal to top-to-bottom offset.

# Design Guide - Standard Installation

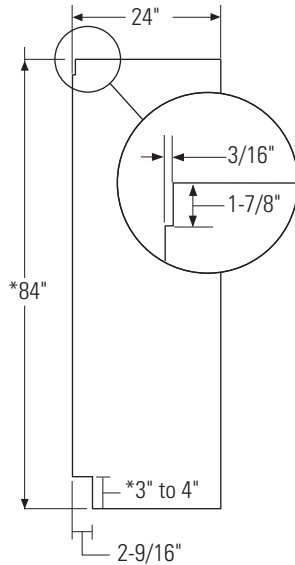
## SIDE PANELS

Side panels must be used whenever the sides of the unit will be exposed. The 1/4" (0.63 cm) side panels will slip into the side case trim. Secure the panels to the unit with stick-on hook and loop fastener strips.

Order the side panels from the cabinet manufacturer.

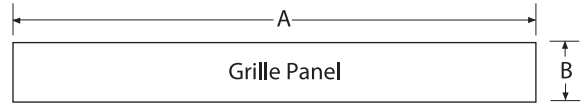
- Cut a notch in the top front corner as shown to allow clearance for corner keys in the front side trim.

\* Depending on installation height.



## ZUG2 GRILLE PANEL DIMENSIONS

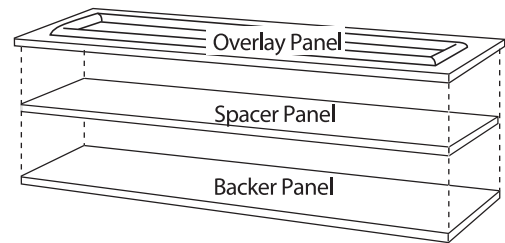
The ZUG2 unified grille panel kit provides for the installation of a framed or overlay grille panel.



Framed Panel Dimensions		
1/4" (0.63 cm)	A (Width)	B (Height)
Framed Panel	69-7/8" (177.48 cm)	8-7/8" (22.54 cm)

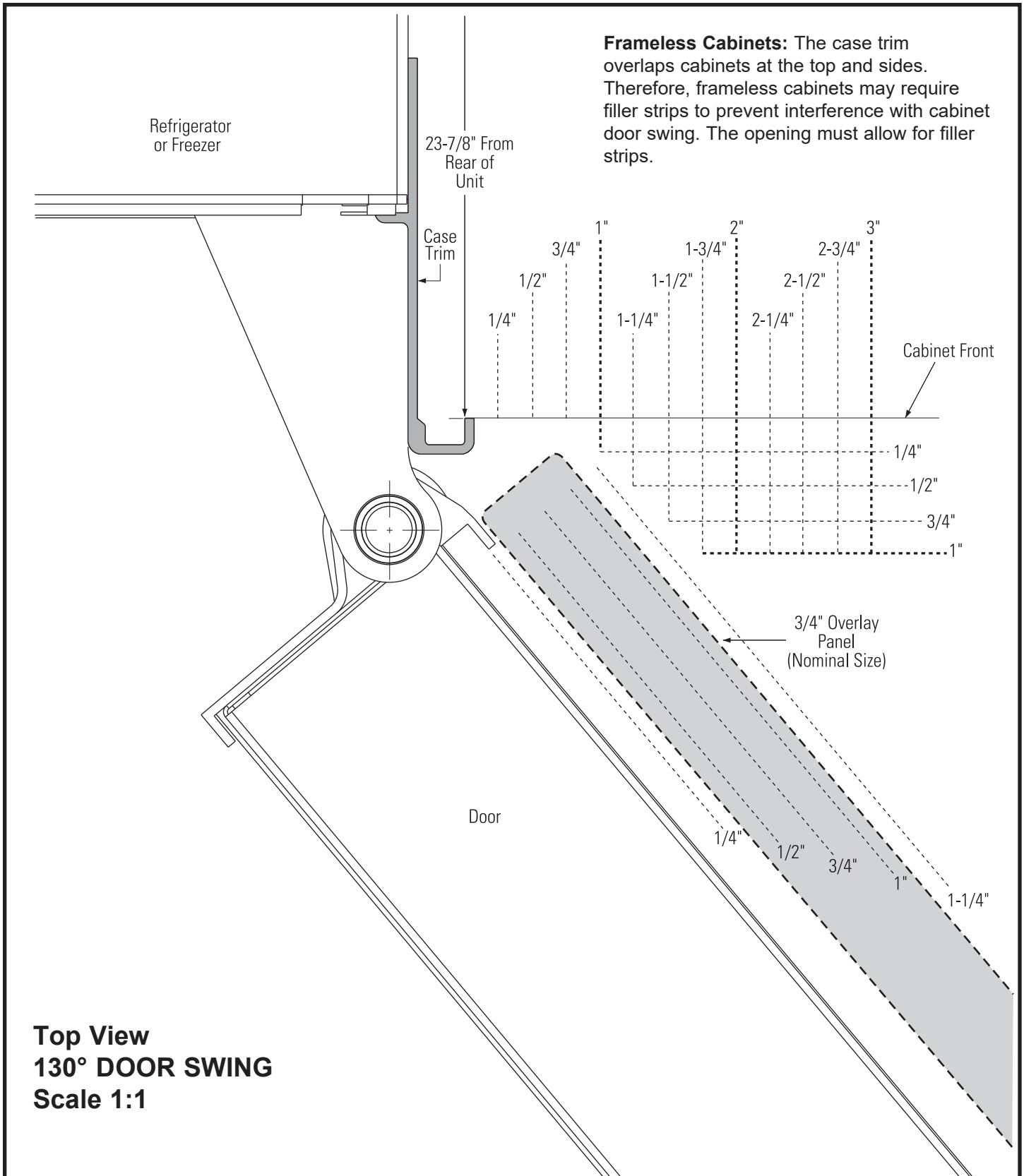
Overlay Panel Dimensions		
1/4" (0.63 cm)	A (Width)	B (Grille Height)
Backer Panel	69-7/8" (177.48cm)	8-7/8" (22.54 cm)
0.10" (0.25 cm)	68-1/2" (97.79 cm)	7-5/8" (20 cm)
Spacer Panel		
3/4" (1.9 cm)	70-1/8" (178.12 cm)	9" (22.86 cm)
Overlay Panel		

**IMPORTANT NOTE:** The maximum weight for the unified grill is 25 pounds (11.24 kg).



Assemble the overlay panels in the same manner as the door panel.

# Design Guide - Standard Installation



# Installation Instructions - Standard Installation

## TOOLS AND MATERIALS REQUIRED

- Tin snips to cut banding
- #2 Phillips screwdriver
- Stepladder
- Drill and 1/2", 3/16" bits
- Bucket
- 1/4", 1/2", 5/16", 7/16" socket
- Level
- Safety glasses
- Appliance hand truck
- Pliers
- Tubing cutter
- Stud finder
- 7/16" and 1-1/4" open-end wrench
- 1/4" copper water line tubing or SmartConnect™ Refrigerator Tubing kits
- Water shut-off valve (optional but recommended)
- Custom panels for door and grille panel
- Screws to secure unit to cabinetry
- Stick-on hook and loop fastener strips for 1/4" (0.63 cm) side panels

## HARDWARE SUPPLIED

- Water filter bypass plug
- Anti-Tip brackets
- 3 lag screws
- 2 Hair Pin Cotter
- 4 washers
- 5 toggles with bolts
- Toekick

## FLOORING

For proper installation, this product must be placed on a level surface of hard material that is at the same height as the rest of the flooring. This surface should be strong enough to support a fully loaded refrigerator or freezer, or approximately 1,200 lbs. per unit.

**NOTE:** Protect the finish of the flooring. Cut a large section of the cardboard carton and place under the product where you are working.

**NOTE:** Not recommended for installation on carpeted flooring.

## GROUNDING THE UNIT

**⚠ WARNING**  **Electrical Shock Hazard.**

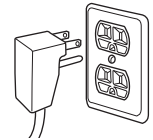
Failure to follow these instructions can result in death, fire, or electrical shock.

The power cord of this appliance is equipped with a 3-prong (grounding) plug which mates with a standard 3-prong (grounding) wall receptacle to minimize the possibility of electric shock hazard from this appliance.

Have the wall outlet and circuit checked by a qualified electrician to make sure the outlet is properly grounded.

Where a standard 2-prong wall outlet is encountered, it is your personal responsibility and obligation to have it replaced with a properly grounded 3-prong wall outlet.

DO NOT, UNDER ANY CIRCUMSTANCES, CUT OR REMOVE THE THIRD (GROUND) PRONG FROM THE POWER CORD.



DO NOT USE AN ADAPTER PLUG TO CONNECT THE REFRIGERATOR TO A 2-PRONG OUTLET.

DO NOT USE AN EXTENSION CORD WITH THIS APPLIANCE.

## LA TERRE DE L'UNITÉ

**⚠ AVERTISSEMENT**  **Risque de choc électrique.**

**électrique.**

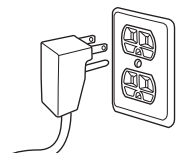
Le non-respect de ces instructions peut entraîner des risques d'incendies, des chocs électriques ou la mort.

Le cordon d'alimentation de cet appareil est équipé d'une fiche à trois broches (pour une mise à la terre) qui s'adapte à la prise de courant standard à 3 broches (pour une mise à la terre) pour minimiser les risques de chocs électriques par cet appareil.

Faites vérifier la prise murale et le circuit électrique par un électricien qualifié pour s'assurer que le système est correctement mis à la terre.

Dans le cas d'une prise biphasée, l'installateur a la responsabilité et l'obligation de la remplacer par une prise triphasée correctement mise à la terre.

NE COUPEZ PAS OU N'ENLEVEZ PAS, SOUS AUCUN PRÉTEXTE, LA TROISIÈME BROCHE DE MISE À LA TERRE DU CORDON D'ALIMENTATION.




N'UTILISEZ PAS D'ADAPTATEUR POUR BRANCHER LE RÉFRIGÉRATEUR À UNE PRISE BIPHASÉE.

N'UTILISEZ PAS DE RALLONGE AVEC CET APPAREIL.

# Installation Instructions - Standard Installation

## STEP 1 REMOVE PACKAGING

**⚠ WARNING**  **Tip Over Hazard.** Product is much heavier at the top than at the bottom – be careful when moving. When using a hand truck, handle from side only.

**⚠ AVERTISSEMENT**  **Risque de basculement**

Le produit est beaucoup plus lourd en haut qu'en bas. Il faut être prudent lors des déplacements. Si un diable est utilisé, il faut soulever le réfrigérateur sur le côté seulement.

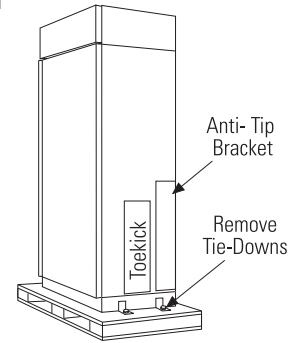
- Carefully cut banding at the top and bottom, remove outer carton.
- Slide out back corner posts (2).
- Slide carton off top of cabinet.

**NOTE: IT IS NOT NECESSARY TO LAY CABINET DOWN**

**IN ORDER TO REMOVE SKID!**

**NOTE: DO NOT ATTEMPT TO ROLL UNIT OFF SKID.**

- The unit is secured to the skid with 4 slotted tie-down straps. Remove the four 5/16" bolts from the base channels in the tie-downs.
- Unit is shipped with two sets of toe kicks. One for Flush Inset (longer) and One for standard installation (shorter). Pick proper toe kick for your installation. Discard other toe kick.
- Remove toekick, custom handle trim, and wall bracket. Set aside for final installation.
- Lift the unit off the skid with an appliance dolly. Handle from the sides.
- Remove the four 7/16" bolts securing the tie-down brackets to the skid.



## STEP 2 INSTALL WATER LINE

**⚠ WARNING** **Connect to potable water supply only.**

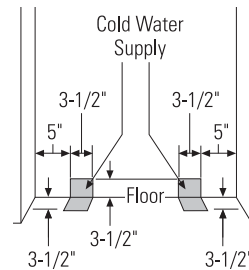
**⚠ AVERTISSEMENT** Raccordez l'appareil à une alimentation d'eau potable seulement.

- A cold water supply is required for automatic icemaker and AutoFill pitcher operation. The water pressure must be between 40 and 120 p.s.i. (275-827 kPa).
- Route 1/4" OD copper or SmartConnect™ plastic tubing between house cold water line and the water connection location.
- Tubing should be long enough to extend to the front of the unit. Allow enough tubing to accommodate bend leading into the water line connection.

**NOTE:** The only Monogram approved plastic tubing is supplied in the SmartConnect™ Refrigerator Tubing kits. Do not use any other plastic water supply line because the line is under pressure at all times. Other types of plastic may crack or rupture with age and cause water damage to your home.

SmartConnect™ Refrigerator Tubing Kits are available in the following lengths:

- 2' (.6 m) WX08X10002
- 8' (2.4 m) WX08X10006
- 15' (4.6 m) WX08X10015
- 25' (7.6 m) WX08X10025



### Shut off the main water supply.

Turn on the nearest faucet long enough to clear the line of water.

- Install a shut-off valve between the icemaker water valve and cold water pipe in a basement or cabinet. **The shut-off valve should be located where it will be easily accessible.**
- Turn on the main water supply and flush debris. Run about a quart of water through the tubing into a bucket. Shut off water supply at the shut-off valve.

**NOTE:** Saddle type shut-off valves are included in many water supply kits. Before purchasing, make sure a saddle type valve complies with your local plumbing codes.

**NOTE:** Commonwealth of Massachusetts Plumbing Codes 248CMR shall be adhered to. Saddle valves are illegal and use is not permitted in Massachusetts. Consult with your licensed plumber.

# Installation Instructions - Standard Installation

## STEP 3 INSTALL SIDE PANELS

**Skip this step when not using side panels**

If you are using 1/4" side panels, they should be inserted into the case trim.

Fasten the panels to the unit with stick-on hook and loop fastener strips before setting unit in place.

## STEP 4 INSTALL ANTI-TIP BRACKET

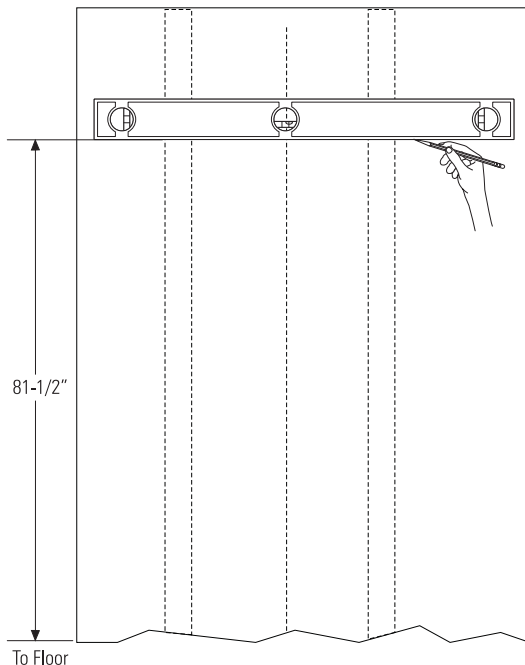
### ⚠ WARNING Tip Over Hazard.

The unit is top-heavy and must be secured to prevent the possibility of tipping forward.

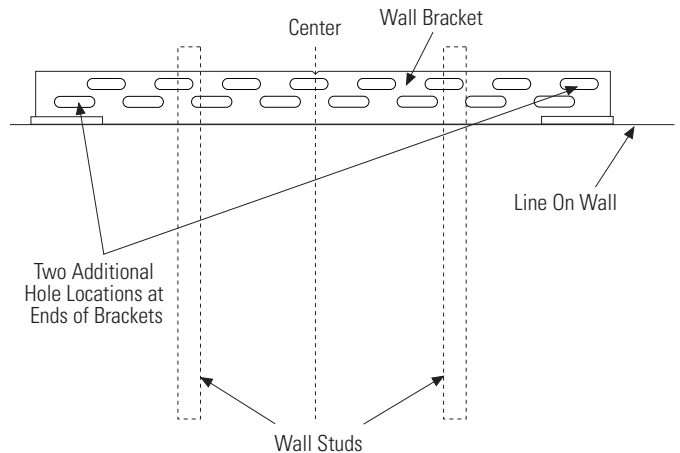
### ⚠ AVERTISSEMENT Risque de basculement

L'appareil ménager est beaucoup plus lourd en haut et il faut le maintenir en place pour éviter la possibilité de son basculement vers l'avant.

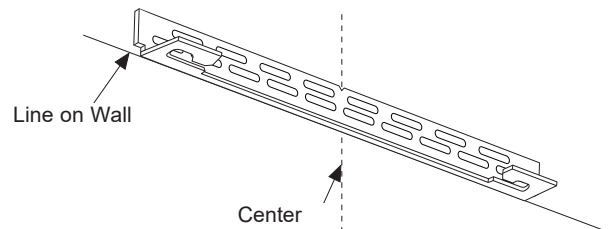
- The kit supplied with the unit contains 2 lag bolts and 4 toggles with bolts. The wall bracket will be attached to the wall in 4 places.
- Measure the opening where the unit is to be installed. Mark the center with a vertical line.
- Measure up 81-1/2" (207.01 cm) from the floor. Mark this point on the wall.
- Using a level, draw a horizontal line on the wall at this height.
- Locate at least 2 studs on the back wall. Mark these points on the horizontal line.



- Place the bottom of the wall bracket with tabs on the horizontal line. Align the center notch on the bracket with the center line on the wall.



- The anti-tip wall bracket has a series of holes. Select 2 holes that match with the located studs. Make sure the holes selected are on the center of the studs. Mark the wall at these points.



- Mark an additional hole at each end of the bracket. If one of the studs is closer to the end of the bracket, mark an additional hole towards the center of the bracket.
- Drill 1/2" (1.27 cm) holes into the wall board at the locations marked for the toggles to be mounted (not the stud markings).
- Drill 3/16" (0.47 cm) holes into wooden studs where marked. If steel stud construction, drill 1/2" (1.27 cm) holes into the studs where marked. You will use 2 toggles with the metal studs.

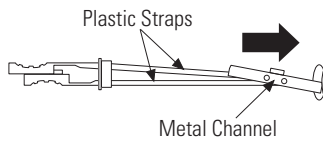
# Installation Instructions - Standard Installation

## STEP 4 INSTALL ANTI-TIP BRACKET (cont.)

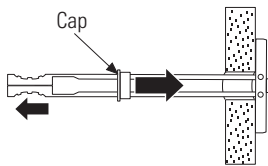
### Install Wall Toggles:

The wall toggles and bolts can be ordered as Service Kit #WR49X10193. Wall toggles are installed in the drywall and metal studs for stability. Install the wall toggles as follows:

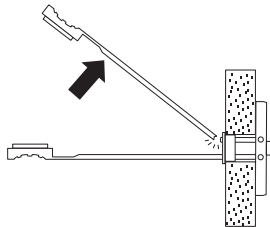
- Drill 1/2" (1.27 cm) holes at the wall markings made in the holes at the ends of the wall bracket.
- Hold the metal channel flat against the plastic straps and slide the channel through the hole.



- Gently pull back at the ends of the plastic straps to make the channel rest flush behind the wall.
- Hold the ends of the straps in one hand and slide the plastic cap along the straps until the flange of the cap is flush with the wall.

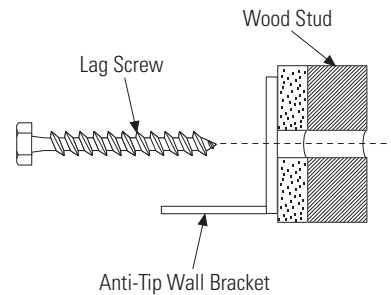


- Place your thumb between the plastic straps and bend up and down to snap the straps off at the wall.

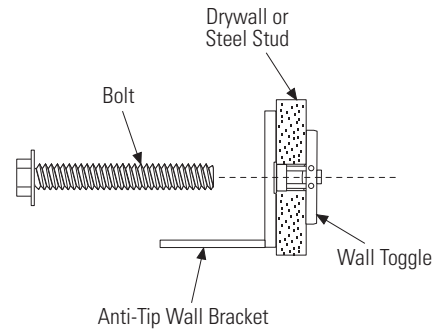


### Install Screws and Bolts:

- Have someone hold the wall bracket centered in place with each of the holes aligned with the correct opening in the bracket and level with the horizontal line.
- Insert the lag screws through the bracket and into the stud. Tighten with a wrench.
- 



Insert the bolts into the toggle by hand until snug. Tighten with a wrench.



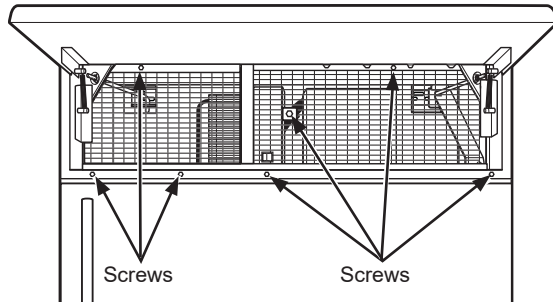
# Installation Instructions - Standard Installation

## STEP 4 INSTALL ANTI-TIP BRACKET (cont.)

Remove Grilles for Access to Anti-Tip Locking Hooks

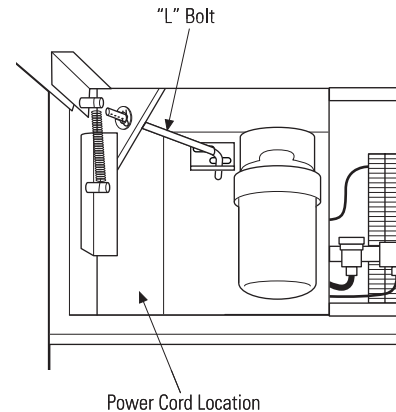
### Fresh Food Unit

- Open the access door.
- Remove the 4 screws from the grille on the right and 3 screws from the grille on the left.
- Pull the bottom of the grilles forward, down and out to remove.



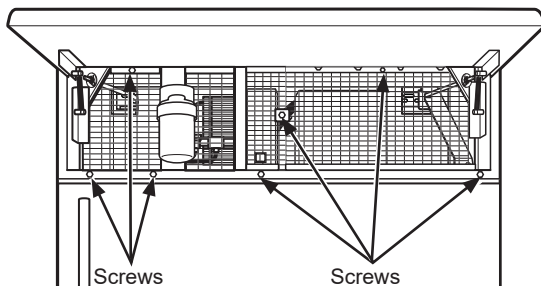
### Power Cord

Locate the power cord inside the left cavity. If it has not been adjusted so the plug is easily accessible, do so now.



### Freezer Unit

- Open the access door.
- Remove the 4 screws from the grille on the right and 3 screws from the grille on the left.
- Pull the bottom of the grille forward, down and out to remove.



### Move Unit into Final Position

- Move appliance toward its final installed location. Align the tabs on the wall bracket with the openings in the back of the unit.
- The unit has "L" bolts in the upper left and right corners inside of the access compartment. These bolts will interlock with the wall bracket and secure the unit using the washers and hair pin cotter in the hardware kit once the unit has been leveled and is in the final position.

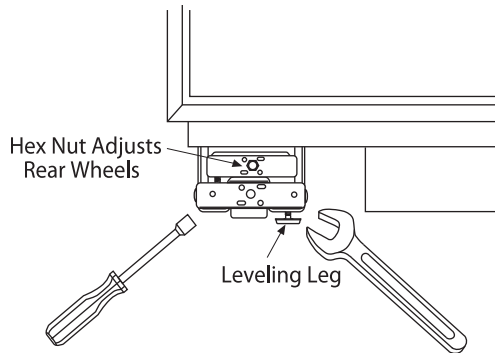


# Installation Instructions - Standard Installation

## STEP 5 LEVEL UNIT

All models have 4-point leveling. The front is supported by leveling legs; the rear is supported by adjustable wheels. Both are accessible from the front of the unit.

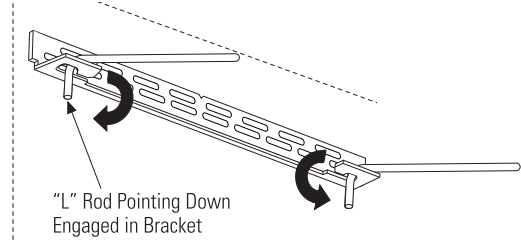
- To level the back of the unit, turn the 7/16" hex nut located above the front wheels. Turn clockwise to raise or counterclockwise to lower the unit.
- For front leveling, use a 1-1/4" open-end wrench.
- Adjust height of unit to match installation cutout opening 84-1/2" (214.63 cm). The unit should be level and plumb with cabinetry.



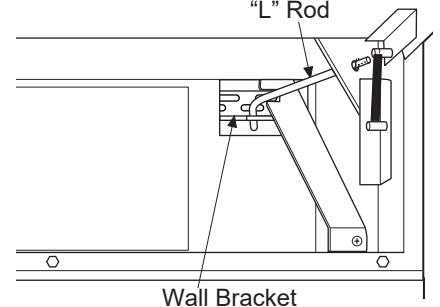
The rear leveling wheels and front leveling legs are limited to a maximum height adjustment of 1" (2.54 cm). If the installation requires more than 84-1/2" (214.63 cm) height, the installer should elevate the unit on a sheet of plywood or runners. Cabinetry trim could also be added across the top of the opening to shorten the opening. If you attempt to raise the unit more than 1" (2.54 cm), you will damage the front leveling legs and the rear leveling wheels.

## STEP 6 SECURE UNIT TO WALL

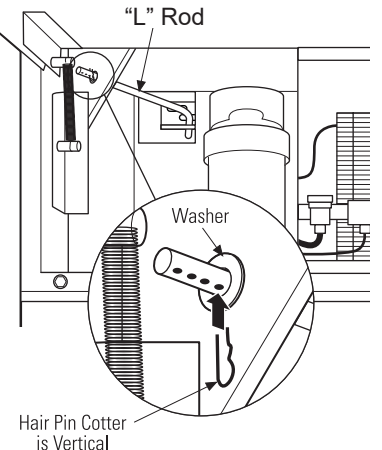
- The "L" rods can be found in the upper left and right corners of the unit in the access compartment. Look through the access compartment to make sure the rods line up with the anti-tip bracket.



- There are 2 washers and a hair pin cotter per rod. Remove the washers and hair pin cotter from the end of the rod.
- Rotate and move the "L" rod into the slot in the anti-tip bracket tab. Once it is in the slot, rotate the "L" rod so the hook portion is pointing down. The holes at the front end of the rod should be in a vertical position. Do this to both sides.



- Pull out on the end of the rod to make sure it is secure in the bracket.
- Locate the hole on the rod that is closest to the unit. A hair pin cotter will be put through this hole to secure the rod. If this hole appears to be too far away for a snug fit against the unit, add the washers one at a time until the pin will fit tightly into the hole.
- Align the straight section of the pin with the hole from the underside of the rod. Push the pin up until it snaps into position. Pliers may be used. **NOTE:** The hair pin cotter must be vertical when this step is completed to ensure the "L" rod is engaged in the bracket.

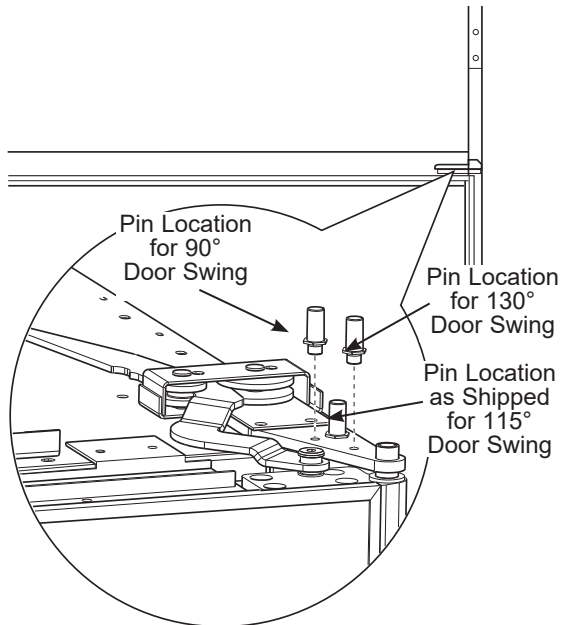


- Check the rod for tightness by pulling forward. If the rod moves, remove the hair pin cotter and place another washer on the rod. Reinsert the pin.
- Replace the grille panel.

# Installation Instructions - Standard Installation

## STEP 7 ADJUST DOOR SWING

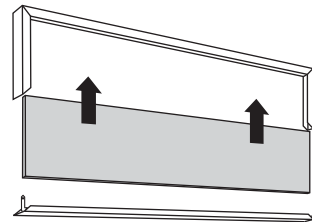
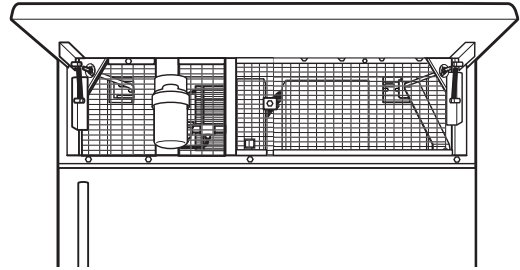
**NOTE:** This appliance has a 3-position door stop. When space does not allow the door to swing open fully to 115°, you may change the door swing to a 90° opening. A 130° door swing is available for standard installation only. **Skip this step if door opening is satisfactory for your installation situation.**



- Open the hood to view the top hinge. Note the door stop pin locations. The pin is factory-installed in the 115° position.
- Close the door. Use pliers to unscrew the door stop and reinstall in the 90 degree or 130 degree position.

## STEP 8 INSTALL GRILLE PANEL

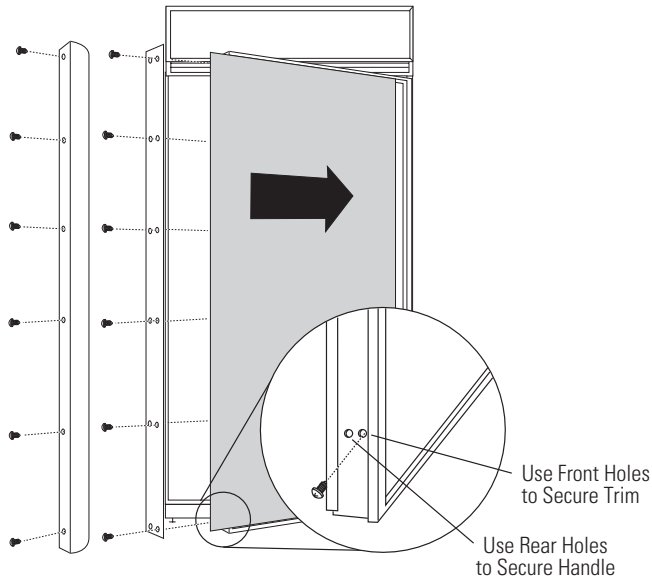
- Raise the access panel to the stop position.



- Loosen the screws on the side trim behind the frame. Remove the bottom trim.
- Slide the panel over the metal baker panel and into the trim.
- If necessary, tap with a wood block until the panel slips under the top trim piece.
- Reassemble the bottom trim. Tighten the screws.
- Adjust the hinge spring to accommodate the panel weight, if necessary.

# Installation Instructions - Standard Installation

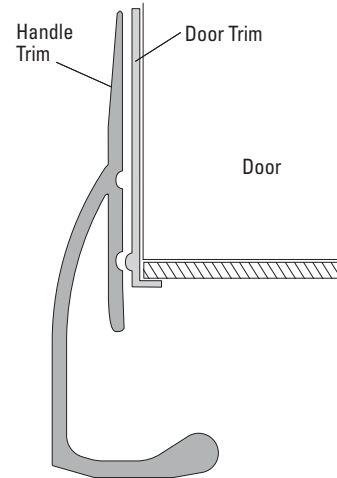
## STEP 9 INSTALL FRAMED PANELS



### Install Door Panel:

- Open the door to 90°. Remove the 6 Phillips head screws from the door handle.
- Remove the handle. Retain all screws.
- Remove the 6 screws holding the trim, lift off the trim.
- Retain the screws.
- Slide the framed panel into the door trim.

Right hand models shown. Use the same instructions for left hand models.  
**IF YOU ARE INSTALLING OVERLAY PANELS, GO TO STEP 10A.**



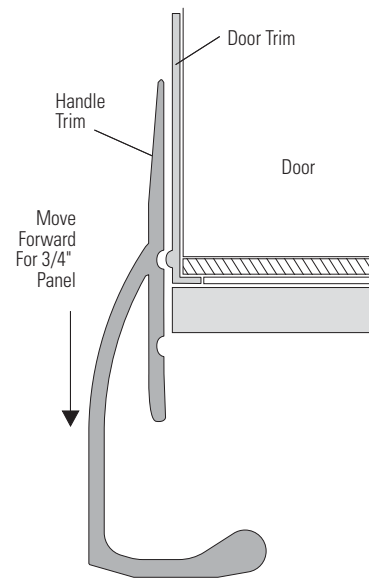
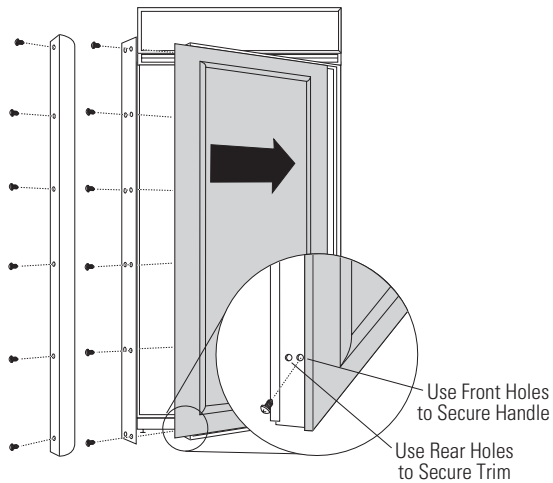
Standard supplied handle shown in 1/4" (0.63 cm) panel position.

- There are two sets of holes in the handle side trim. Replace the handle side trim by installing the original screws in the FRONT screw holes.
- Secure the handle to the door using the REAR screw holes.

# Installation Instructions - Standard Installation

## STEP 9A INSTALL OVERLAY PANELS

Right hand models shown. Use the same instructions for left hand models.



Supplied handle shown in the overlay panel position.

### Install Door Panel:

- Open the door to 90°. Remove the 6 Phillips head screws from the door handle.
  - Remove the handle. Retain all screws.
  - Remove the 6 screws holding the trim, lift off the trim. Retain the screws.
  - Slide the overlay panel into the door trim.
- There are two sets of holes in the handle side trim. Replace the handle side trim by installing the original screws in the REAR screw holes.
  - Secure the handle to the door using the FRONT screw holes.

### Custom Handles

If you are using custom handles, the handle must be properly secured to the panel before sliding the panel into the trim.

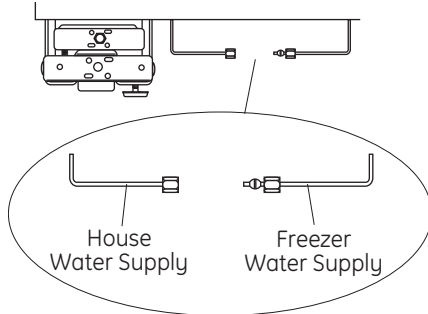
- The cabinet manufacturer will supply the custom handle and hardware.
- Secure the door trim using new handle side trim. Discard the supplied handle.

# Installation Instructions - Standard Installation

## STEP 10 CONNECT WATER SUPPLY (FREEZER MODELS ONLY)

**⚠ WARNING** Connect to potable water supply only.

**⚠ AVERTISSEMENT** Raccordez l'appareil à une alimentation d'eau potable seulement.



- Locate and bring the tubing to the front of the cabinet.
- Turn the water on to flush debris from the line. Run about a quart of water through the tubing into a bucket, then shut off the water.

### Copper Tubing:

- Slip a 1/4" nut and ferrule (provided) over both ends of the copper tubing. Insert the tube into the union fitting on the unit and tighten the nut to the union.
- Turn on the water to check for leaks.

### SmartConnect™ Tubing:

**NOTE:** The only Monogram-approved plastic tubing is supplied in the SmartConnect™ Refrigerator Tubing kits. Do not use any other plastic water supply line because the line is under pressure at all times. Other types of plastic may crack or rupture with age and cause water damage to your home.

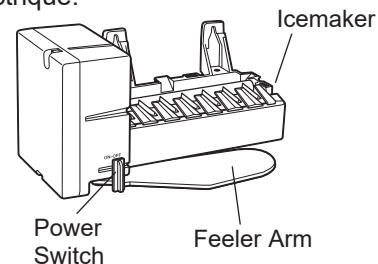
- Insert the molded end of the tubing into the appliance or freezer connection. Tighten the compression nut until it is just hand-tight.
- Tighten one additional turn with a wrench. Overtightening can cause leaks!
- Turn on the water to check for leaks.

**NOTE:** Make sure excess tubing length does not interfere with the toekick installation.

## STEP 11 START ICEMAKER (FREEZER MODELS ONLY)

**⚠ CAUTION** Avoid contact with the moving parts of the ejector mechanism, or with the heating element (located on the bottom of the icemaker) that releases the cubes. Do not place fingers or hands on the automatic ice making mechanism while the freezer is plugged in.

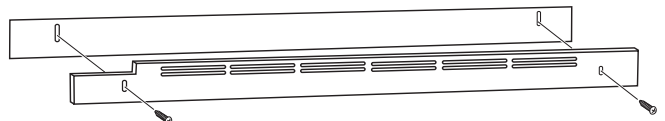
**⚠ ATTENTION** Évitez tout contact avec les pièces mobiles du mécanisme d'éjection, ou l'élément chauffant (situé dans le bas de la machine à glaçons) qui libère les glaçons. Ne placez pas les doigts ou les mains sur le mécanisme de production de glace automatique lorsque le congélateur est branché dans la prise électrique.



- The icemaker will begin operation automatically.
- Be sure nothing interferes with the sweep of the feeler arm.
- Discard the first full bucket of ice cubes.
- To turn the icemaker off, slide the switch to OFF.

## STEP 12 INSTALL TOEKICK

- Locate Supplied toekicks (shipped taped to the side of the appliance). The unit will be shipped with two sets of toekicks. The shorter toe kick should be used for standard installation. Discard the other set of toe kicks. Install the toekick assembly with the 2 screws provided, adjust to the desired height and tighten the screws.

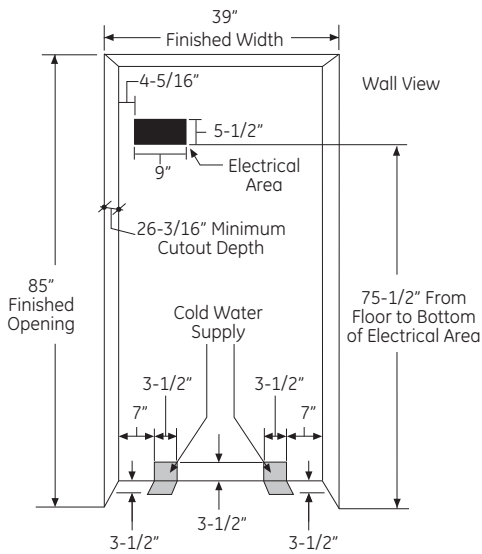


**IMPORTANT:** A custom toekick can be installed to match or complement the surrounding cabinetry but can NOT cover the horizontal vent slots of the factory toe kick.

# **Instructions for Flush Installation**

# Design Guide - Flush Installation

## THE INSTALLATION SPACE



### Water And Electrical Locations

Electrical and water supply must be located as shown.

### Cutout Depth Beneath a Soffit:

When installed beneath a soffit, the soffit cannot exceed the 26-3/16" (66.52 cm) installation depth shown.

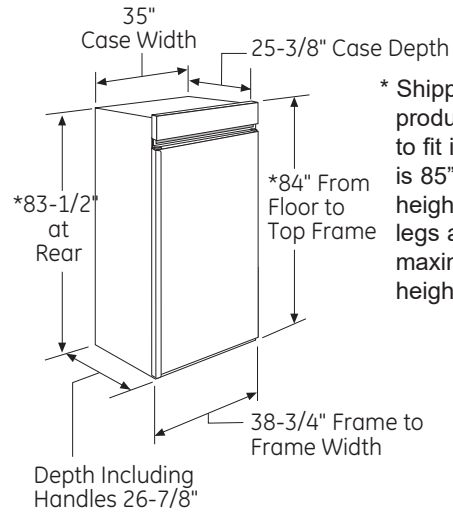
### The Cutout Depth Must Be 26-3/16" (66.52 cm)

Wooden cleats are required for flush installation. See *Side Cleats* on page 29.

### Additional Specifications

- A 115 volt 60Hz., 15 or 20 amp power supply is required. An individual properly grounded branch circuit or circuit breaker is recommended. Install a properly grounded 3-prong electrical receptacle recessed into the back wall. Electrical must be located on rear wall as shown.
- Water line can enter the opening through the floor or back wall. The water line should be 1/4" O.D. copper tubing or QuickConnect™ kit between the cold water line and water connection location, long enough to extend to the front of the unit. Installation of an easily accessible shut-off valve in the water line is required.

## DIMENSIONS AND CLEARANCES

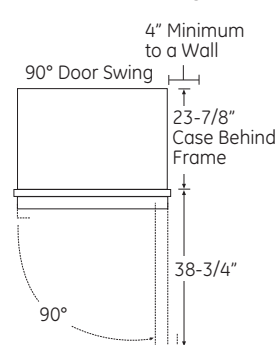


\* Shipping height. The product can be adjusted to fit into a cutout that is 85" (215.9 cm) max. height. Use leveling legs and wheels for a maximum 1" (2.54 cm) height adjustment.

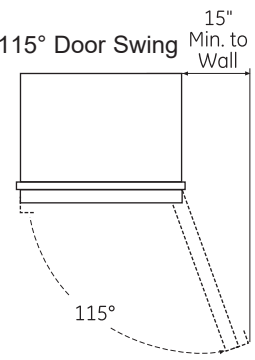
### Product Clearances

These units are equipped with a 3-position door stop. The factory set 115° door swing can be adjusted to 90° if clearance to adjacent cabinets or walls is restricted.

#### 90° Door Swing



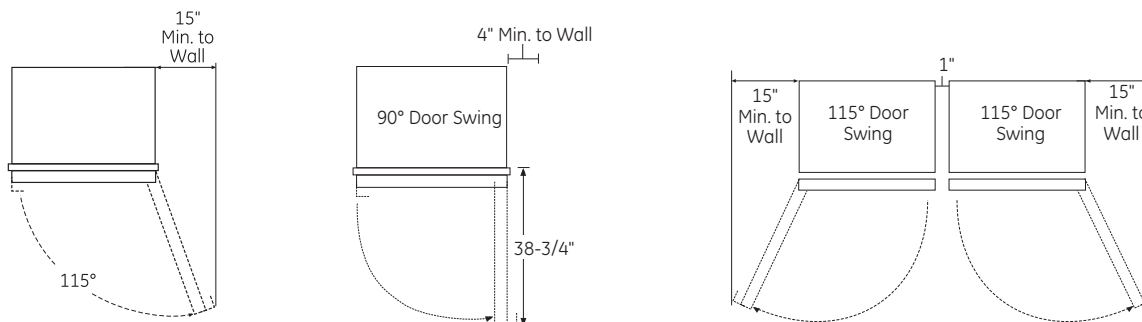
#### 115° Door Swing



For a 90° door swing, allow 4" (10.16 cm) minimum clearance to a wall for framed and stainless steel models. If the 90° doorstop position is used, pan access is maintained but pan removal is restricted.

# Design Guide - Flush Installation

## CLEARANCES



These units are equipped with a 3-position door stop. The factory set 115° door swing can be adjusted to 90° if clearance to adjacent cabinets or walls is restricted.

### When Installed into a corner:

Allow 15" (38.1 cm) for a full 115° door swing and pan removal. Allow 4" (10.16 cm) min. clearance when door swing is adjusted to a 90° opening for pan access, but pan removal is restricted.

### Clearances for Multiple Single Door Installations

In a side-by-side installation of a left and right door swing product, a 1" (2.54 cm) clearance between the units is required. Order ZUG2 Unified Grille Panel Kit for one continuous grille panel.

## INSTALLATION

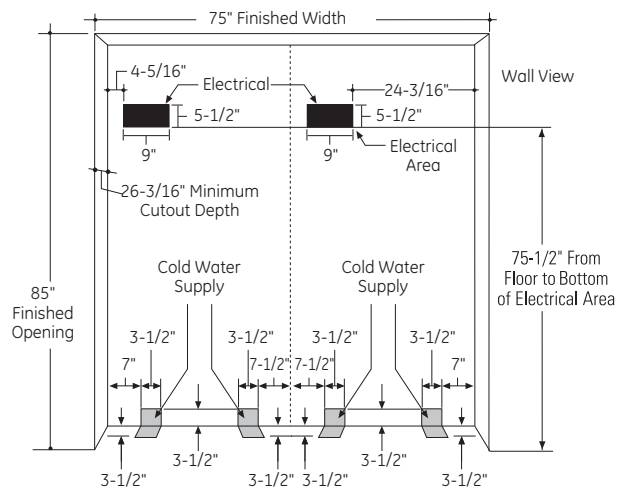
### ZUG2 Unified Grille Panel Kit

- If you are installing two units, side by side, the installation space must be 75" (190.5 cm) wide.

**Note:** Additional cutout width may be required when side panels are used. Add side panel thickness to the finished cutout to calculate rough-in width.

- The water and electrical locations for each product must be located as shown.
- A separate 115V, 60Hz., 15 or 20 amp power supply is recommended for each product.

**Note:** When implementing a dual installation, the factory installed standard case trim should be used on the handle side of each unit and the supplied flush case trim should be used on the hinge side of each unit.

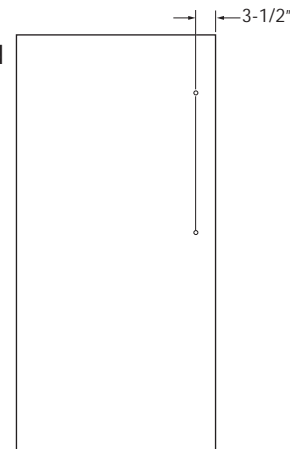
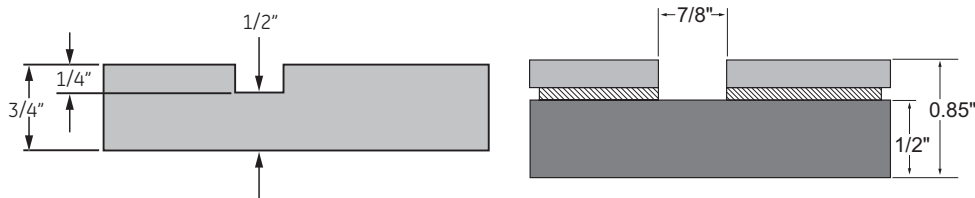


## CUSTOM HANDLE DESIGN GUIDE

Custom handles must be used for flush installation. For custom handle installation, counterbore holes in rear of decorative panels must ensure 1/2" (1.27 cm) material thickness remains for handle support.

**NOTE:** The counterbore must not exceed 1" (2.54 cm) in diameter.

Minimum distance from handle side edge to handle center should be 3-1/2" (8.89 cm) as shown.





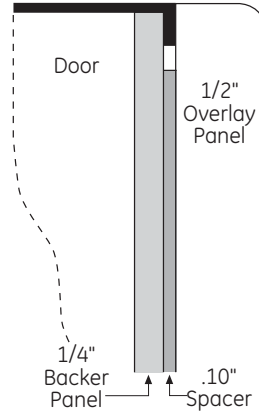
# Design Guide - Flush Installation

## 1/2" (1.27 cm) OVERLAY PANEL DIMENSIONS

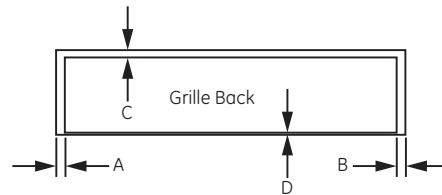
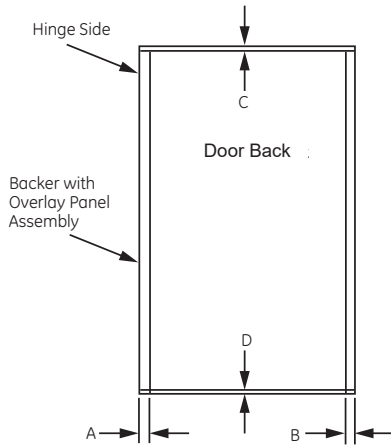
For a more custom appearance, overlay panels may be installed on trimmed models. The overlay panel must be secured to a 1/4" (.63 cm) thick backer panel which slides into the trim. A spacer panel 0.10" (0.25 cm) thick must be placed between the overlay and backer panel.

### Assemble the panels with glue and screws:

- Center the spacer panel on the backer panel, left to right and top to bottom. Secure the panels with glue.
- Refer to the following chart for locating the backer panel to the overlay panel. Secure the overlay panel to the backer panel with glue and screws. Screws must be countersunk into the backer panel.



$$.250" + .10" + .50" = .850" \text{ Total Panel Thickness} \\ (0.635 \text{ cm} + 0.254 \text{ cm} + 1.27 \text{ cm} = 2.159)$$



	A	B	C	D
Door Panel	2-1/16" (5.24 cm)	2-1/16" (5.24 cm)	3/16" (0.47 cm)	1/4" (0.63 cm)
Grille Panel	2-1/16" (5.24 cm)	2-1/16" (5.24 cm)	1-7/16" (3.65 cm)	1/8" (0.31 cm)

**IMPORTANT NOTE:** Maximum total weight for the assembled panels:

- Fresh food door panel – 75 lbs. (34.02 cm)
- Grille Panel – 18 lbs. (8.16 cm)

### Panel Dimensions

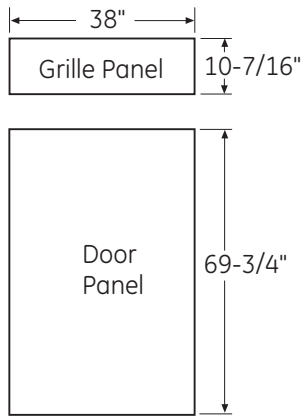
	Fresh Food Door	Grille
1/4" (0.63 cm) Backer Panel	69-5/16" x 33-7/8" (176.05 cm x 86.04 cm)	8-7/8" x 33-7/8" (22.54 cm x 86.04 cm)
.10" (0.25 cm) Spacer Panel	67-15/16" x 32-1/2" (172.56 cm x 82.55 cm)	7-5/8" x 32-1/2" (16.37 cm x 82.55 cm)
1/2" (1.27 cm) Overlay Panel	69-3/4" x 38" (177.16 cm x 96.52 cm)	10-7/16" x 38" (26.51 cm x 96.52 cm)

# Design Guide - Flush Installation

## 3/4" (1.9 cm) DECORATIVE PANEL DIMENSIONS

For a more custom appearance, overlay panels may be installed to give a flush appearance with surrounding cabinets. The overlay panel must be 3/4" (1.9 cm) thick. Panel attaches to included brackets to provide mounting to the appliance door.

**NOTE:** We recommend that decorative panels have inside corners and edges rounded or beveled by cabinet maker to avoid sharp edges on the panels. Edges to be treated should include the top, bottom and hinge side edges.



**IMPORTANT NOTE:** Maximum total weight for the assembled panels:

- Door panel – 67 lbs. (30.39 kg)
- Grille Panel – 18 lbs. (8.16 kg)

### **⚠ WARNING**



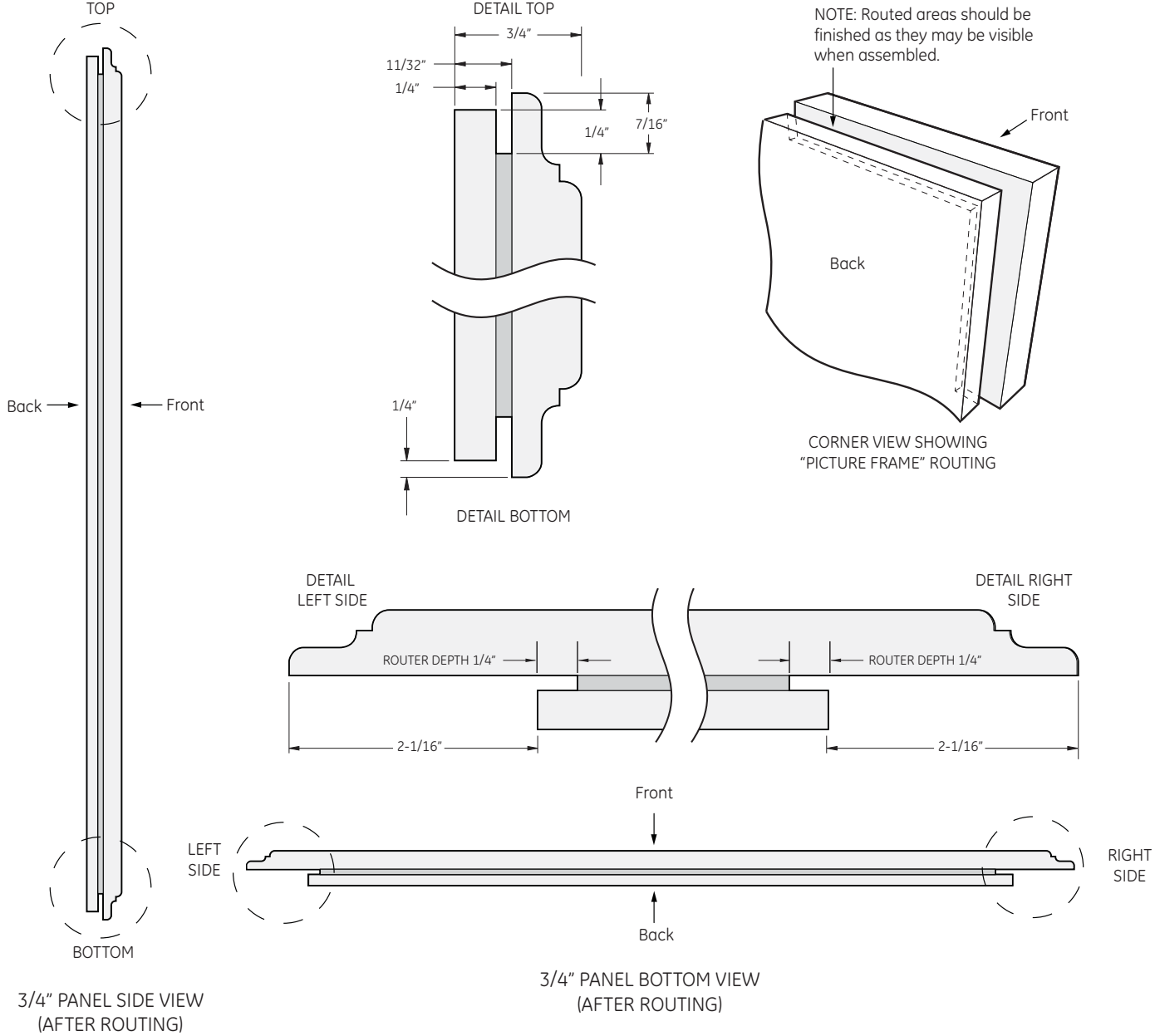
#### **Door Trim Pinch Point Hazard**

Improper installation can lead to a finger pinch point hazard between the side door trim and the cabinets when operating the door, especially with children. To minimize this risk you must follow the installation instructions for cabinet dimensions, trim assembly, and door stop angle.

# Design Guide - Flush Installation

## 3/4" (1.9 cm) RAISED DOOR PANEL ROUTING

For 3/4" (1.9 cm) raised door panel, routing is required. The router depth is 1/4" (0.63 cm) all the way around the panel back. Additional panel width reductions are required per the diagrams below. This will create a "picture frame" routing that will slide onto the attached door trim.

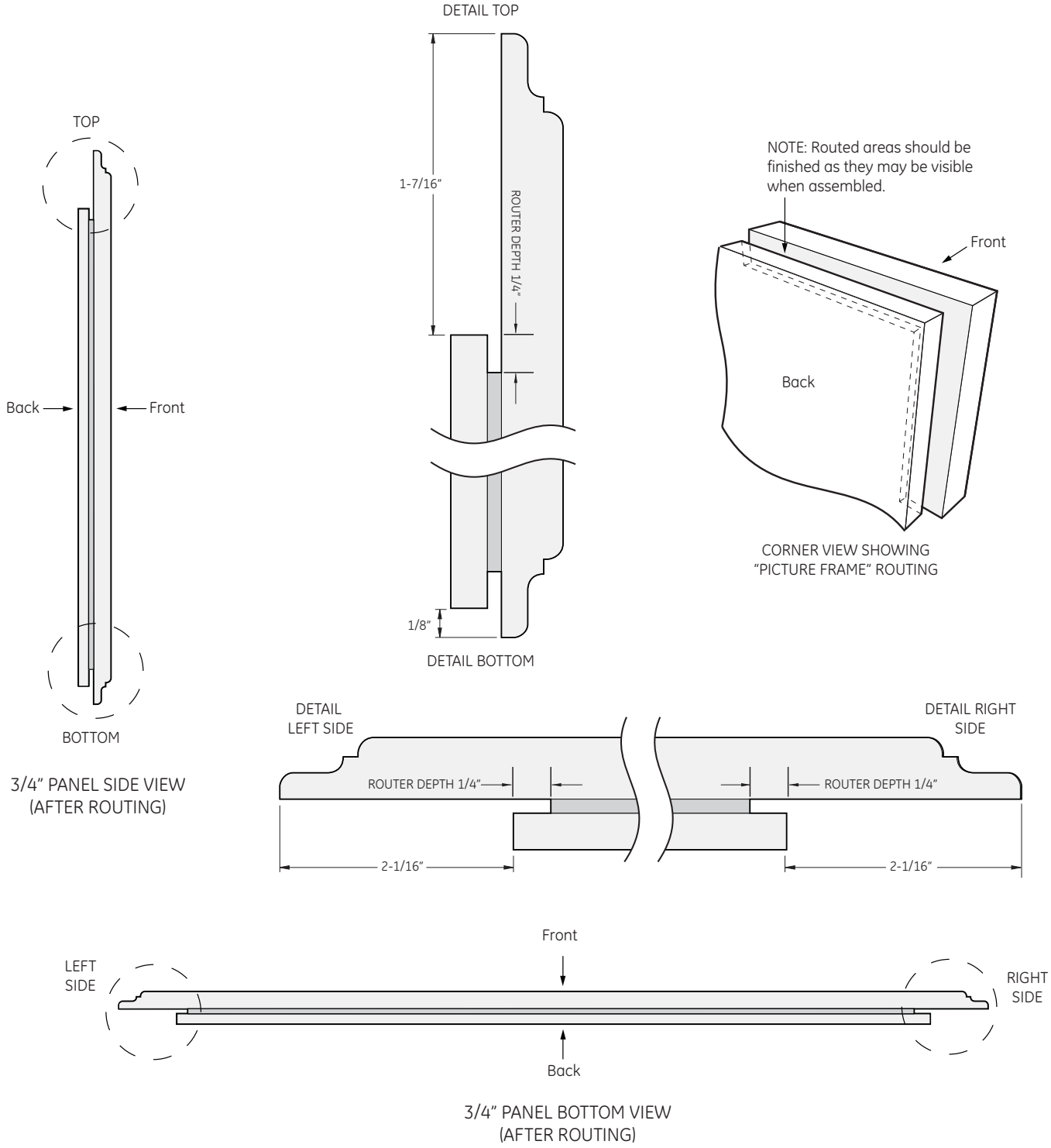


**NOTE:** For panels constructed with rails and stiles (5-panel), the minimum width is 3" (7.62 cm) for rails and 4" (10.16 cm) for stiles.

# Design Guide - Flush Installation

## 3/4" (1.9 cm) RAISED GRILLE PANEL ROUTING

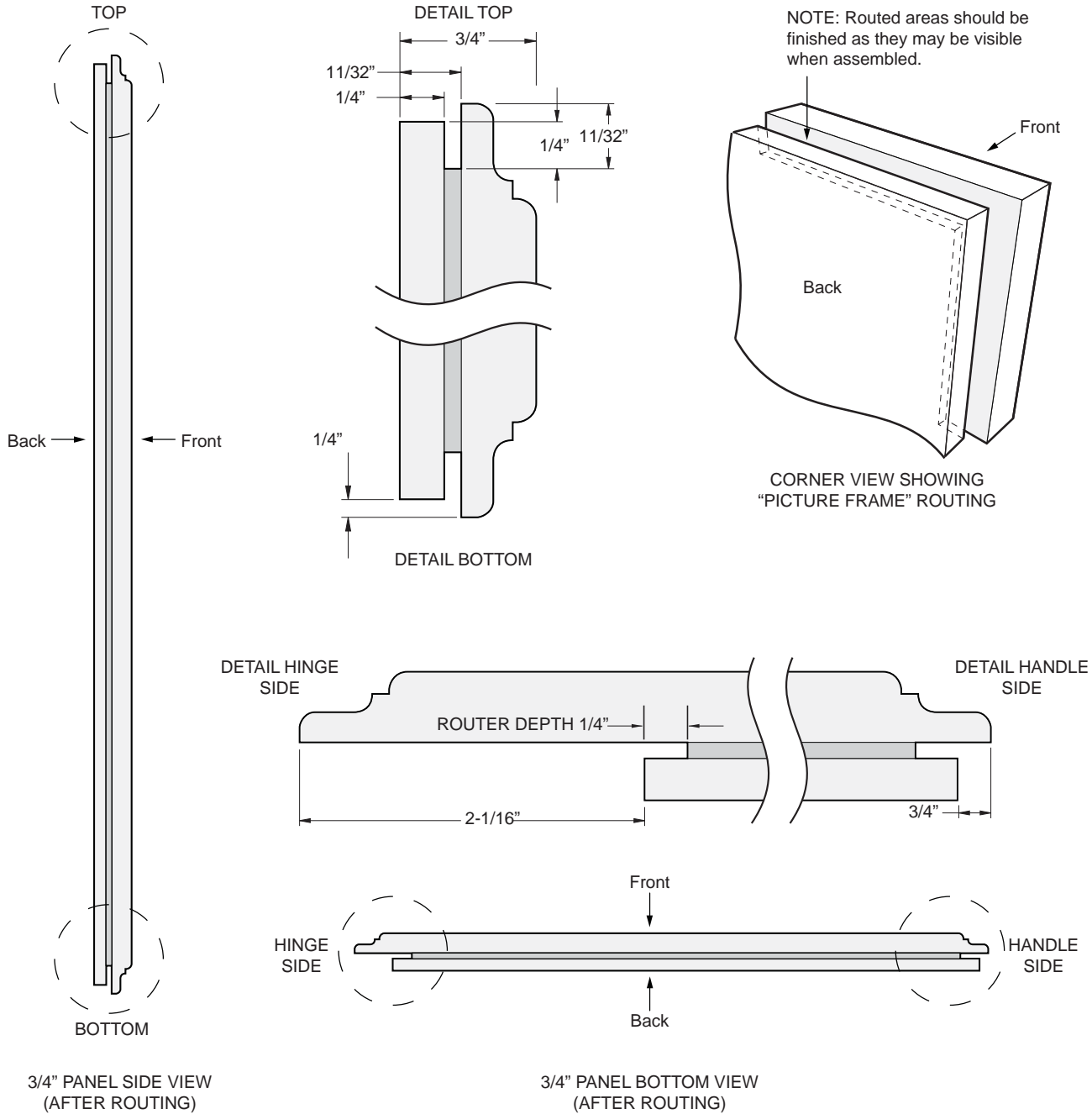
For 3/4" (1.9 cm) raised grille panel, routing is required. The router depth is 1/4" (0.63 cm) all the way around the panel back. Additional panel width reductions are required per the diagrams below. This will create a "picture frame" routing that will slide onto the attached grille trim.



**NOTE:** For panels constructed with rails and stiles (5-panel), the minimum width is 3" (7.62 cm) for rails and 4" (10.16 cm) for stiles.

# Design Guide - Flush Installation

## 3/4" (1.9 cm) RAISED DOOR PANEL ROUTING FOR UNIFIED INSTALLATION



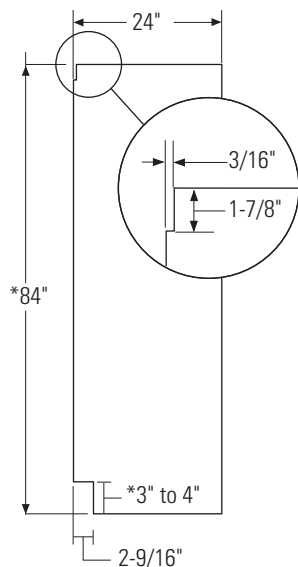
# Design Guide - Flush Installation

## SIDE PANELS

Side panels must be used whenever the sides of the unit will be exposed. The 1/4" (0.63 cm) side panels will slip into the side case trim. Secure the panels to the unit with stick-on hook and loop fastener strips. Order the side panels from the cabinet manufacturer.

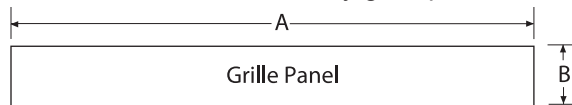
- Cut a notch in the top front corner as shown to allow clearance for corner keys in the front side trim.

\* Depending on installation height.



## ZUG2 GRILLE PANEL DIMENSIONS

The ZUG2 unified grille panel kit provides for the installation of a framed or overlay grille panel.



**Note:** For 3/4" (1.91 cm) panels, use the same routing instructions as single installation, page 28.

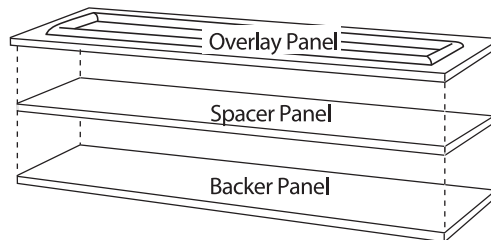
### Framed Panel Dimensions

3/4" (1.91 cm) Routed Panel	A (Width) 74" (187.96 cm)	B (Height) 10-7/16" (26.51 cm)
--------------------------------	------------------------------	-----------------------------------

### Overlay Panel Dimensions

1/4" (0.63 cm) Backer Panel	A (Width) 69-7/8" (177.48 cm)	B (Height) 8-7/8" (22.54 cm)
0.10" (0.25 cm) Spacer Panel	68-1/2" (173.99 cm)	7-5/8" (19.37 cm)
1/2" (1.27 cm) Smooth Panel	74" (187.396 cm)	10-7/16" (26.51 cm)

**IMPORTANT NOTE:** The maximum weight for the unified grill is 25 (11.34 kg) pounds.

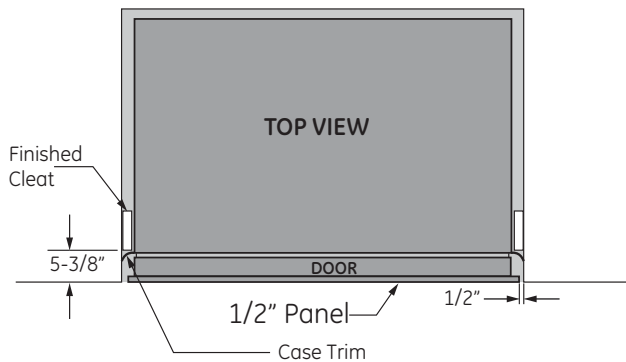
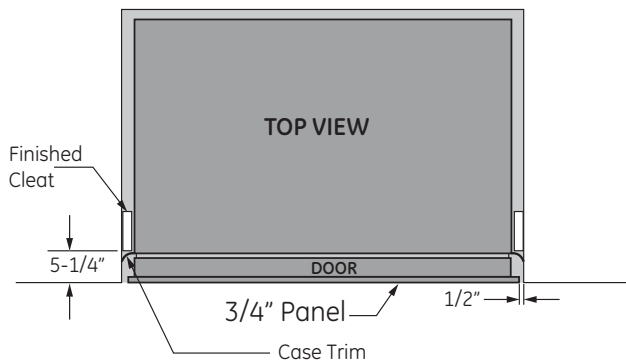


Assemble the overlay panels in the same manner as the door panel.

## SIDE CLEATS

Wood cleats are required to be installed vertically down both sides of the cabinet opening to provide depth stop for the refrigerator when installed into the opening.

The cleat should be installed per the diagrams below based on the type of panel being used.



## UNIFIED DOOR PANEL DIMENSIONS

Door panel dimensions for dual installation will be 69-3/4" (177.16 cm) x 36-7/8" (93.66 cm). For 3/4" (1.90 cm) panels follow the same routing procedure per instructions on page 29.

## REFRIGERATOR LOCATION

- Do not install the refrigerator where the temperature will go below 55°F (13°C). It will not run often enough to maintain proper temperatures.
- Do not install the refrigerator where temperatures will go above 100°F (37°C). It will not perform properly.
- Do not install the refrigerator in a location exposed to water (rain, etc.) or direct sunlight.
- Install it on a floor strong enough to support it fully loaded.

# Installation Instructions - Flush Installation

## TOOLS AND MATERIALS REQUIRED

- Tin snips to cut banding
- #2 Phillips screwdriver
- Stepladder
- Drill and 1/2", 3/16" bits
- Bucket
- 1/4", 1/2", 5/16", 7/16" socket
- Level
- Safety glasses
- Appliance hand truck
- Pliers
- Tubing cutter
- Stud finder
- 7/16" and 1-1/4" open-end wrench
- 1/4" copper water line tubing or SmartConnect™ Refrigerator Tubing kits
- Water shut-off valve (optional but recommended)
- Custom panels for door and grille panel
- Screws to secure unit to cabinetry
- Stick-on hook and loop fastener strips for 1/4" (0.63 cm) side panels

## HARDWARE SUPPLIED

- Water filter bypass plug
- Anti-Tip brackets
- 3 lag screws
- 2 Hair Pin Cotter
- 4 washers
- 5 toggles with bolts
- Toekick
- Flush install case trim

## FLOORING

For proper installation, this product must be placed on a level surface of hard material that is at the same height as the rest of the flooring. This surface should be strong enough to support a fully loaded refrigerator or freezer, or approximately 1,200 lbs. per unit.

**NOTE:** Protect the finish of the flooring. Cut a large section of the cardboard carton and place under the product where you are working.

**NOTE:** Not recommended for installation on carpeted flooring.

## GROUNDING THE UNIT

**⚠ WARNING**  **Electrical Shock Hazard.**

Failure to follow these instructions can result in death, fire, or electrical shock.

The power cord of this appliance is equipped with a 3-prong (grounding) plug which mates with a standard 3-prong (grounding) wall receptacle to minimize the possibility of electric shock hazard from this appliance.

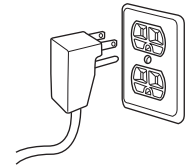
Have the wall outlet and circuit checked by a qualified electrician to make sure the outlet is properly grounded.

Where a standard 2-prong wall outlet is encountered, it is your personal responsibility and obligation to have it replaced with a properly grounded 3-prong wall outlet.

**DO NOT, UNDER ANY CIRCUMSTANCES, CUT OR REMOVE THE THIRD (GROUND) PRONG FROM THE POWER CORD.**

**DO NOT USE AN ADAPTER PLUG TO CONNECT THE REFRIGERATOR TO A 2-PRONG OUTLET.**

**DO NOT USE AN EXTENSION CORD WITH THIS APPLIANCE.**



## LA TERRE DE L'UNITÉ

**⚠ AVERTISSEMENT**  **Risque de choc électrique.**

Le non-respect de ces instructions peut entraîner des risques d'incendies, des chocs électriques ou la mort.

Le cordon d'alimentation de cet appareil est équipé d'une fiche à trois broches (pour une mise à la terre) qui s'adapte à la prise de courant standard à 3 broches (pour une mise à la terre) pour minimiser les risques de chocs électriques par cet appareil.

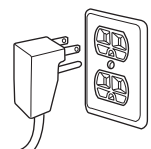
Faites vérifier la prise murale et le circuit électrique par un électricien qualifié pour s'assurer que le système est correctement mis à la terre.

Dans le cas d'une prise biphasée, l'installateur a la responsabilité et l'obligation de la remplacer par une prise triphasée correctement mise à la terre.

**NE COUPEZ PAS OU N'ENLEVEZ PAS, SOUS AUCUN PRÉTEXTE, LA TROISIÈME BROCHE DE MISE À LA TERRE DU CORDON D'ALIMENTATION.**


**N'UTILISEZ PAS D'ADAPTATEUR POUR BRANCHER LE RÉFRIGÉRATEUR À UNE PRISE BIPHASÉE.**

**N'UTILISEZ PAS DE RALLONGE AVEC CET APPAREIL.**



# Installation Instructions - Flush Installation

## STEP 1 REMOVE PACKAGING

**⚠ WARNING**  **Tip Over Hazard.** Product is much heavier at the top than at the bottom – be careful when moving. When using a hand truck, handle from side only.

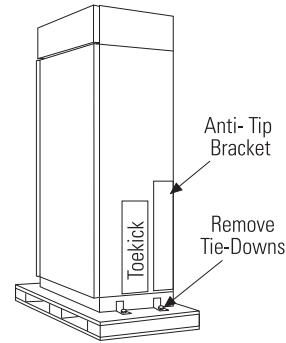
**⚠ AVERTISSEMENT**  **Risque de basculement**

Le produit est beaucoup plus lourd en haut qu'en bas. Il faut être prudent lors des déplacements. Si un diable est utilisé, il faut soulever le réfrigérateur sur le côté seulement.

- Carefully cut banding at the top and bottom, remove outer carton.
- Slide out back corner posts (2).
- Slide carton off top of cabinet.

**NOTE:** IT IS NOT NECESSARY TO LAY CABINET DOWN IN ORDER TO REMOVE SKID!

**NOTE:** DO NOT ATTEMPT TO ROLL UNIT OFF SKID.



- The unit is secured to the skid with 4 slotted tie-down straps. Remove the four 5/16" bolts from the base channels in the tie-downs.
- Remove toekick, custom handle trim, and wall bracket. Set aside for final installation.
- Lift the unit off the skid with an appliance dolly. Handle from the sides.
- Remove the four 7/16" bolts securing the tie-down brackets to the skid.

## STEP 2 INSTALL WATER LINE

**⚠ WARNING** **Connect to potable water supply only.**

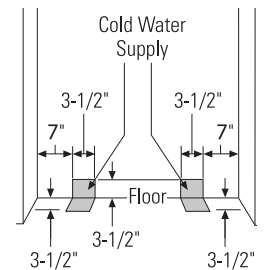
**⚠ AVERTISSEMENT** Raccordez l'appareil à une alimentation d'eau potable seulement.

- A cold water supply is required for automatic icemaker operation. The water pressure must be between 40 and 120 p.s.i.
- Route 1/4" OD copper or SmartConnect™ plastic tubing between house cold water line and the water connection location.
- Tubing should be long enough to extend to the front of the unit. Allow enough tubing to accommodate bend leading into the water line connection.

**NOTE:** The only Monogram approved plastic tubing is supplied in the SmartConnect™ Refrigerator Tubing kits. Do not use any other plastic water supply line because the line is under pressure at all times. Other types of plastic may crack or rupture with age and cause water damage to your home.

SmartConnect™ Refrigerator Tubing Kits are available in the following lengths:

2' (.6 m)	WX08X10002
8' (2.4 m)	WX08X10006
15' (4.6 m)	WX08X10015
25' (7.6 m)	WX08X10025



### Shut off the main water supply.

Turn on the nearest faucet long enough to clear the line of water.

- Install a shut-off valve between the icemaker water valve and cold water pipe in a basement or cabinet. **The shut-off valve should be located where it will be easily accessible.**
- Turn on the main water supply and flush debris. Run about a quart of water through the tubing into a bucket. Shut off water supply at the shut-off valve.

**NOTE:** Saddle type shut-off valves are included in many water supply kits. Before purchasing, make sure a saddle type valve complies with your local plumbing codes.

**NOTE:** Commonwealth of Massachusetts Plumbing Codes 248CMR shall be adhered to. Saddle valves are illegal and use is not permitted in Massachusetts. Consult with your licensed plumber.

## STEP 3 INSTALL SIDE PANELS

**Skip this step when not using side panels**

If you are using 1/4" (0.63 cm) side panels, they should be inserted into the case trim.

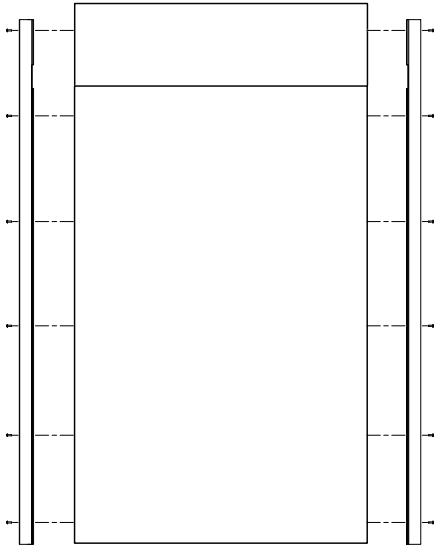
Fasten the panels to the unit with stick-on hook and loop fastener strips before setting unit in place.



# Installation Instructions - Flush Installation

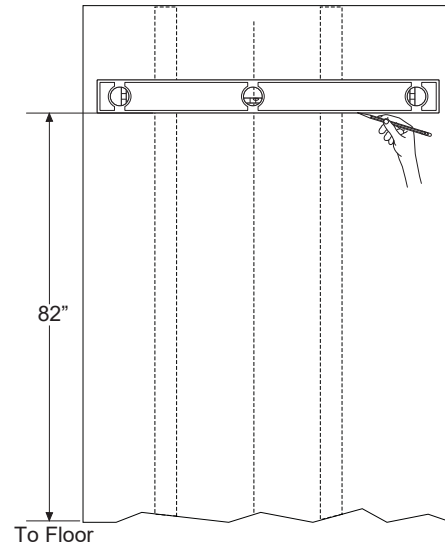
## STEP 4 INSTALL CASE TRIM

The unit arrives with case trim for standard installation attached. Flush installation case trim is provided. Remove the factory installed case trim. Install new case trim using supplied right hand and left hand case trim pieces and case trim screws. Attach case trim to each side of case as shown in illustration using case trim screws in holes provided down each side of the case.



## STEP 5 INSTALL ANTI-TIP BRACKET (cont.)

- The kit supplied with the unit contains 2 lag bolts and 4 toggles with bolts. The wall bracket will be attached to the wall in 4 places.
- Measure the opening where the unit is to be installed. Mark the center with a vertical line.
- Measure up 82" (208.28 cm) from the floor. Mark this point on the wall.
- Using a level, draw a horizontal line on the wall at this height.



## STEP 5 INSTALL ANTI-TIP BRACKET

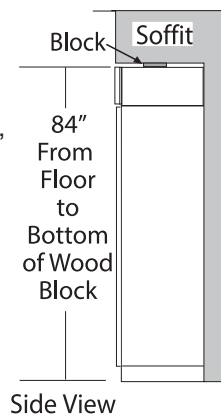
### ⚠ WARNING Tip Over Hazard.

The unit is top-heavy and must be secured to prevent the possibility of tipping forward.

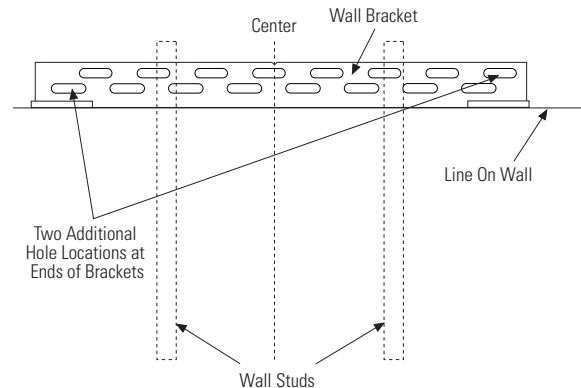
### ⚠ AVERTISSEMENT Risque de basculement

L'appareil ménager est beaucoup plus lourd en haut et il faut le maintenir en place pour éviter la possibilité de son basculement vers l'avant.

- Cut a 1" x 4" (2.54 x 10.16 cm) block, 35" (88.9 cm) long.
- Measure and mark under the soffit, 5-1/4" from the front edge of the cabinet.
- Secure the wood block to under the soffit. From the bottom of the block to the finished floor should measure 84" (213.36 cm). See the illustration.



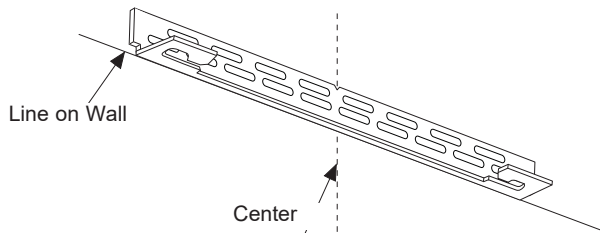
- Locate at least 2 studs on the back wall. Mark these points on the horizontal line.
- Place the bottom of the wall bracket with tabs on the horizontal line. Align the center notch on the bracket with the center line on the wall.
- The anti-tip wall bracket has a series of holes. Select 2 holes that match with the located studs. Make sure the holes selected are on the center of the studs. Mark the wall at these points.



# Installation Instructions - Flush Installation

## STEP 5 INSTALL ANTI-TIP BRACKET (cont.)

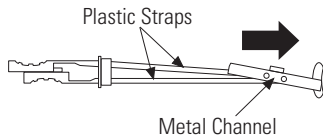
- Mark an additional hole at each end of the bracket. If one of the studs is closer to the end of the bracket, mark an additional hole towards the center of the bracket.
- Drill 1/2" (1.27 cm) holes into the wall board at the locations marked for the toggles to be mounted (not the stud markings).
- Drill 3/16" (0.47 cm) holes into wooden studs where marked. If steel stud construction, drill 1/2" holes into the studs where marked. You will use 2 toggles with the metal studs.



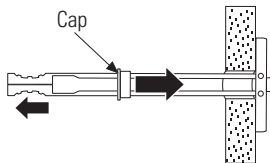
### Install Wall Toggles:

The wall toggles and bolts can be ordered as Service Kit #WR49X10193. Wall toggles are installed in the drywall and metal studs for stability. Install the wall toggles as follows:

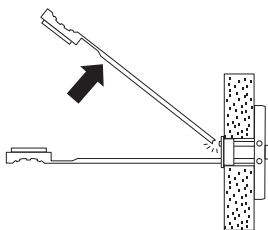
- Drill 1/2" (1.27 cm) holes at the wall markings made in the holes at the ends of the wall bracket.
- Hold the metal channel flat against the plastic straps and slide the channel through the hole.



- Gently pull back at the ends of the plastic straps to make the channel rest flush behind the wall.
- Hold the ends of the straps in one hand and slide the plastic cap along the straps until the flange of the cap is flush with the wall.

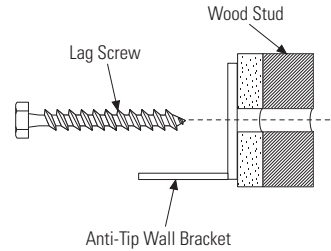


- Place your thumb between the plastic straps and bend up and down to snap the straps off at the wall.

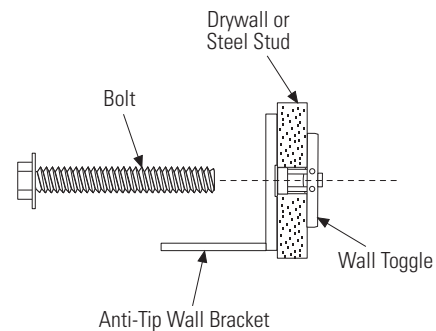


### Install Screws and Bolts:

- Have someone hold the wall bracket centered in place with each of the holes aligned with the correct opening in the bracket and level with the horizontal line.
- Insert the lag screws through the bracket and into the stud. Tighten with a wrench.



- Insert the bolts into the toggle by hand until snug. Tighten with a wrench.

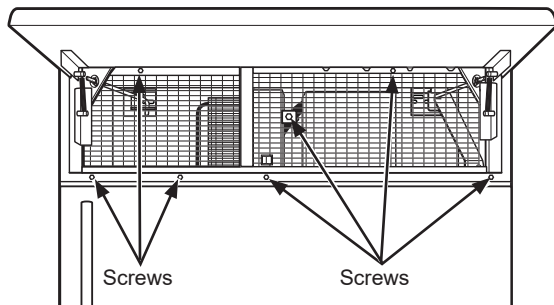


# Installation Instructions - Flush Installation

## STEP 5 INSTALL ANTI-TIP BRACKET (cont.)

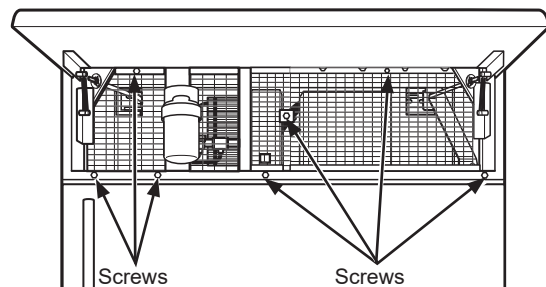
### Remove Grilles for Access to Anti-Tip Locking Hooks Fresh Food Unit

- Open the access door.
- Remove the 4 screws from the grille on the right and 3 screws from the grille on the left.
- Pull the bottom of the grille forward, down and out to remove.



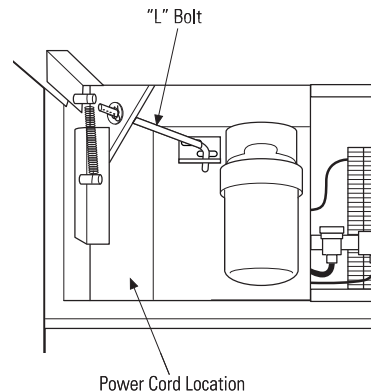
### Freezer Unit

- Open the access door.
- Remove the 4 screws from the grille on the right and 3 screws from the grille on the left.
- Pull the bottom of the grille forward, down and out to remove.



### Power Cord

Locate the power cord inside the left cavity. If it has not been adjusted so the plug is easily accessible, do so now.



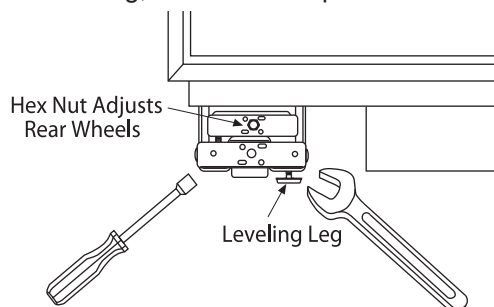
### Move Unit into Final Position

- Move appliance toward its final installed location. Align the tabs on the wall bracket with the openings in the back of the unit.
- The unit has "L" bolts in the upper left and right corners inside of the access compartment. These bolts will interlock with the wall bracket and secure the unit using the washers and hair pin cotters in the hardware kit once the unit has been leveled and is in the final position.

## STEP 6 LEVEL UNIT

All models have 4-point leveling. The front is supported by leveling legs; the rear is supported by adjustable wheels. Both are accessible from the front of the unit.

- To level the back of the unit, turn the 7/16" hex nut located above the front wheels. Turn clockwise to raise or counterclockwise to lower the unit.
- For front leveling, use a 1-1/4" open-end wrench.



- Adjust height of unit to match installation cutout opening 84-1/2" (214.63 cm). The unit should be level and plumb with cabinetry.

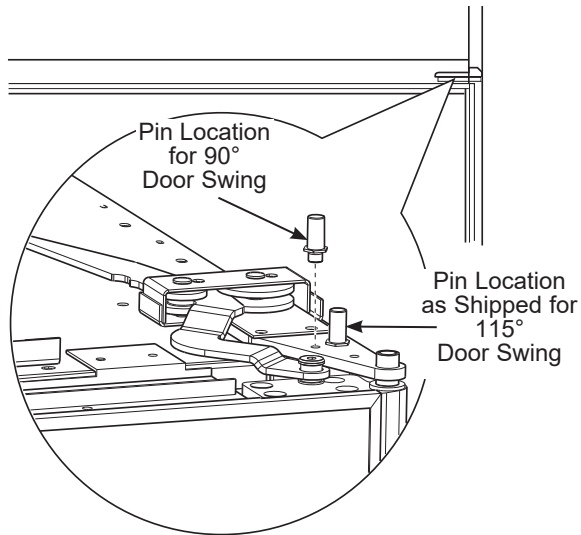
**NOTE:** Raise appliance until the case top comes in contact with the 1" (2.54 cm) spacer block mounted to the underside of the cabinet soffit. Appliance should be level at fully raised position.

The rear leveling wheels and front leveling legs are limited to a maximum height adjustment of 1" (2.54 cm). If the installation requires more than 84-1/2" (214.63 cm) height, the installer should elevate the unit on a sheet of plywood or runners. Cabinetry trim could also be added across the top of the opening to shorten the opening. If you attempt to raise the unit more than 1" (2.54 cm), you will damage the front leveling legs and the rear leveling wheels.

# Installation Instructions - Flush Installation

## STEP 7 ADJUST DOOR SWING

**NOTE:** This appliance has a 3-position door stop. When space does not allow the door to swing open fully to 115°, you may change the door swing to a 90° opening. **Skip this step if door opening is satisfactory for your installation situation.**



- Open the grille to view the top hinge. Note the door stop pin locations. The pin is factory-installed in the 115° position.
- Close the door. Use Pliers to unscrew the door stop and reinstall in the 90 degree position. Close the grill.

### **WARNING**

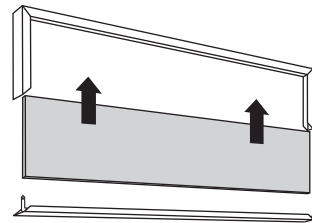
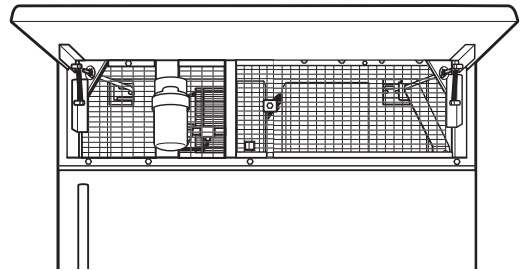


#### **Door Trim Pinch Point Hazard**

Improper installation can lead to a finger pinch point hazard between the side door trim and the cabinets when operating the door, especially with children. To minimize this risk you must follow the installation instructions for cabinet dimensions, trim assembly, and door stop angle.

## STEP 8 INSTALL GRILLE PANEL

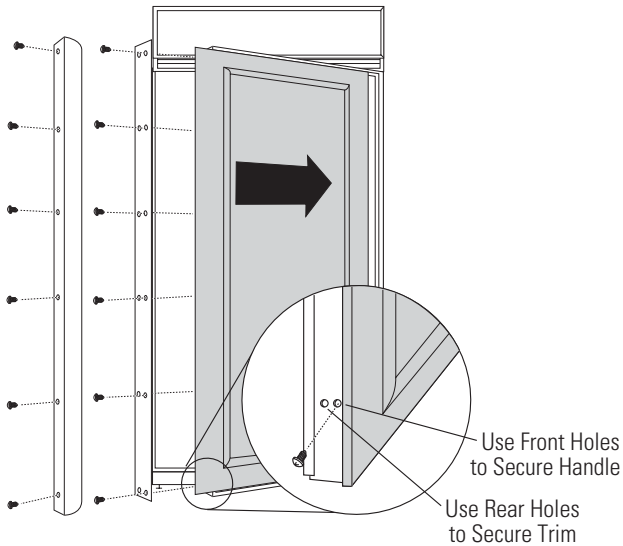
- Raise the access panel to the stop position.



- Loosen the screws on the side trim behind the frame. Remove the bottom trim.
- Slide the panel over the metal backer panel and into the trim.
- If necessary, tap with a wood block until the panel slips under the top trim piece.
- Reassemble the bottom trim. Tighten the screws.

# Installation Instructions - Flush Installation

## STEP 9 INSTALL OVERLAY PANELS

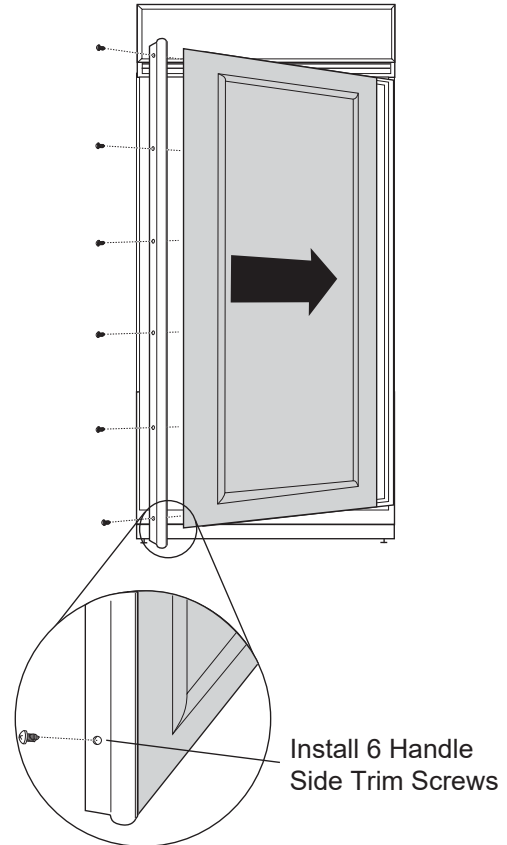


### Install door panels:

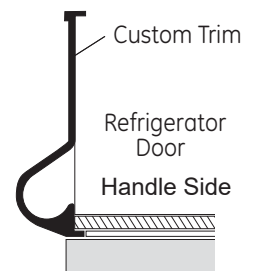
- Open door to 90°. Remove the 6 Phillips head screws from the door handle.
- Remove the handle.
- Remove the 6 screws holding the trim, then lift off the trim. Retain the screws.

### Custom Handles

- Custom handles must be used for flush installation. The handle must be properly secured to the overlay panel before sliding the panel into the trim.
- The cabinet manufacturer will supply the custom handle and hardware.
- Discard the supplied handle.
- Slide assembled door panel into the trim.



- A trim cover kit has been supplied with your refrigerator. It contains a piece of trim for both left and right door swing. You will only need to use one piece of trim on the handle side of your refrigerator in place of the trim piece you just removed. Place trim against the side of the refrigerator door, aligned top to bottom. The holes in the trim should align to the holes in the door. Discard the other trim piece.
- Secure the new trim cover piece using the retained screws.

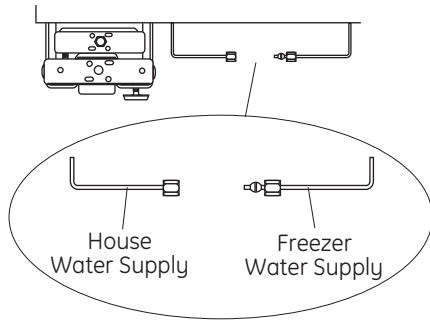


# Installation Instructions - Flush Installation

## STEP 10 CONNECT WATER SUPPLY (FREEZER MODELS ONLY)

**⚠ WARNING** Connect to potable water supply only.

**⚠ AVERTISSEMENT** Raccordez l'appareil à une alimentation d'eau potable seulement.



- Locate and bring the tubing to the front of the cabinet.
- Turn the water on to flush debris from the line. Run about a quart of water through the tubing into a bucket, then shut off the water.

### Copper Tubing:

- Slip a 1/4" nut and ferrule (provided) over both ends of the copper tubing. Insert the tube into the union fitting on the unit and tighten the nut to the union.
- Turn on the water to check for leaks.

### SmartConnect™ Tubing:

**NOTE:** The only Monogram-approved plastic tubing is supplied in the SmartConnect™ Refrigerator Tubing kits. Do not use any other plastic water supply line because the line is under pressure at all times. Other types of plastic may crack or rupture with age and cause water damage to your home.

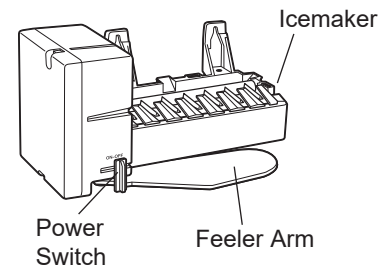
- Insert the molded end of the tubing into the appliance or freezer connection. Tighten the compression nut until it is just hand-tight.
- Tighten one additional turn with a wrench. Overtightening can cause leaks!
- Turn on the water to check for leaks.

**NOTE:** Make sure excess tubing length does not interfere with the toekick installation.

## STEP 11 START ICEMAKER (FREEZER MODELS ONLY)

**⚠ CAUTION** Avoid contact with the moving parts of the ejector mechanism, or with the heating element (located on the bottom of the icemaker) that releases the cubes. Do not place fingers or hands on the automatic ice making mechanism while the freezer is plugged in.

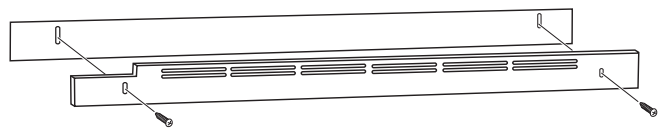
**⚠ ATTENTION** Évitez tout contact avec les pièces mobiles du mécanisme d'éjection, ou l'élément chauffant (situé dans le bas de la machine à glaçons) qui libère les glaçons. Ne placez pas les doigts ou les mains sur le mécanisme de production de glace automatique lorsque le congélateur est branché dans la prise électrique.



- The icemaker will begin operation automatically.
- Be sure nothing interferes with the sweep of the feeler arm.
- Discard the first full bucket of ice cubes.
- To turn the icemaker off, slide the switch to OFF.

## STEP 12 INSTALL TOEKICK

- Locate the supplied toekicks (shipped taped to the side of the refrigerator).
- The wider set of toe kicks will be used for flush installation. You can discard the other set of toe kicks.
- Install the toekick assembly with the 2 screws provided, adjust to the desired height and tighten screws.

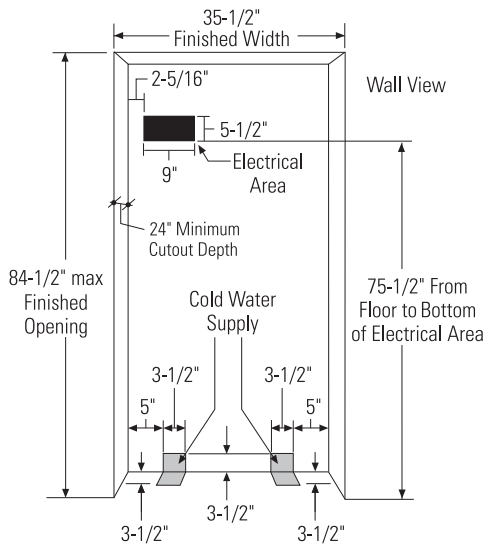


**IMPORTANT:** A custom toekick can be installed to match or complement the surrounding cabinetry but can NOT cover the horizontal vent slots of the factory toe kick.

# **Instructions for Stainless Steel Installation**

# Design Guide - Stainless Steel Installation

## THE INSTALLATION SPACE



### Water And Electrical Locations

Electrical and water supply must be located as shown.

### The Cutout Depth Must Be 24" (60.96 cm) Minimum

The unit will project forward, slightly beyond adjacent cabinetry, depending on your installation.

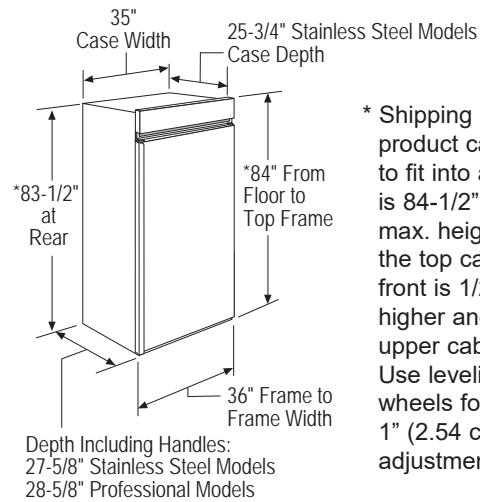
### Cutout Depth Beneath a Soffit:

When installed beneath a soffit, the soffit cannot exceed the 24" (60.96 cm) installation depth shown. The top case trim overlaps the bottom of the soffit.

### Additional Specifications

- A 115 volt 60Hz., 15 or 20 amp power supply is required. An individual properly grounded branch circuit or circuit breaker is recommended. Install a properly grounded 3-prong electrical receptacle recessed into the back wall. Electrical must be located on rear wall as shown.
- Water line can enter the opening through the floor or back wall. The water line should be 1/4" O.D. copper tubing or QuickConnect™ kit between the cold water line and water connection location, long enough to extend to the front of the unit. Installation of an easily accessible shut-off valve in the water line is required.

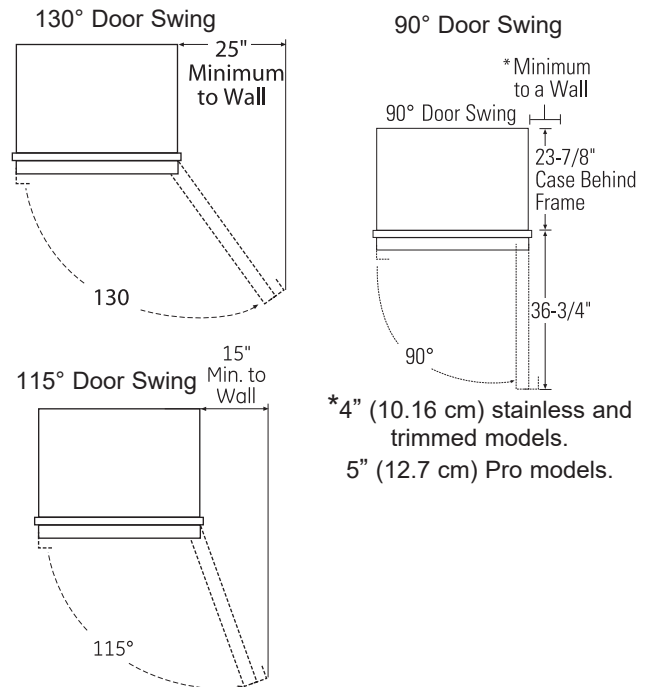
## DIMENSIONS AND CLEARANCES



\* Shipping height. The product can be adjusted to fit into a cutout that is 84-1/2" (214.63 cm) max. height. Note that the top case trim at the front is 1/2" (1.27 cm) higher and will overlap upper cabinetry or soffit. Use leveling legs and wheels for a maximum 1" (2.54 cm) height adjustment.

### Product Clearances

These units are equipped with a 3-position door stop. The factory set 115° door swing can be adjusted to 90° if clearance to adjacent cabinets or walls is restricted. Order WX14X99 door stop for precise settings between 90° and 130°.



\*4" (10.16 cm) stainless and trimmed models.  
5" (12.7 cm) Pro models.

Allow 25" (63.5 cm) minimum clearance for a full 130° door swing. Allow 15" (38.0 cm) for pan removal.

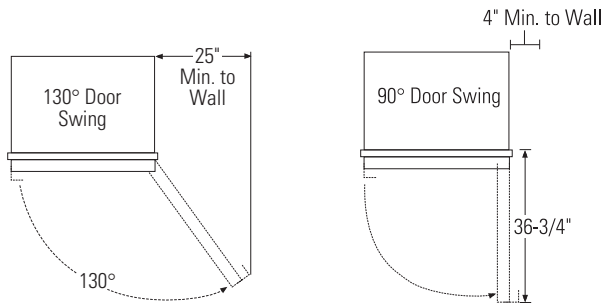
For a 90° door swing, allow 4" (10.16 cm) minimum clearance to a wall for framed and stainless steel models. Allow 5" (12.7 cm) minimum clearance for professional models. If the 90° doorstop position is used, pan access is maintained but pan removal is restricted.

See illustration on page 42 to determine door swing interaction with adjacent cabinets or countertops.



# Design Guide - Stainless Steel Installation

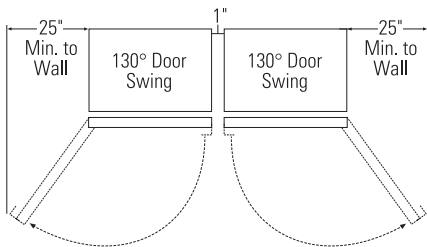
## CLEARANCES



These units are equipped with a 3-position door stop. The factory set 115° door swing can be adjusted to 90° or 130° if clearance to adjacent cabinets or walls is restricted. Order WX14X99 door stop for precise settings between 90° and 130°.

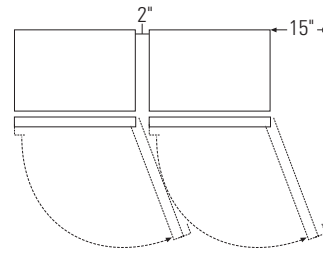
### When Installed into a corner:

Allow 25" (63.5 cm) for a full 130° door swing. Allow 15" (38.0 cm) for pan removal. Allow 4" (10.16 cm) min. clearance when door swing is adjusted to a 90° opening for pan access, but pan removal is restricted.



### Clearances for Multiple Single Door Installations

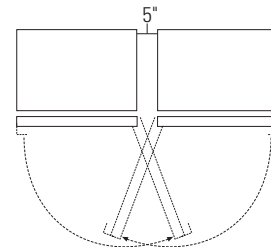
In a side-by-side installation of a left and right door swing product, a 1" (2.54 cm) clearance between the units is required. Order ZUGSS2 Stainless Steel Unified Grille Panel Kit or ZUG2 Custom Panel Unified Grille Panel Kit for one continuous grille panel.



### Clearances for two products installed side-by-side with the same (left or right) door swing

Allow 2" (5.04 cm) minimum clearance between the products to prevent door swing interference. Order the WX14X99 adjustable door stop to reduce the factory set 115° door swing. Allow 15" (38.0 cm) minimum to a wall to achieve full drawer extension and pan removal.

**NOTE:** ZUG2 and ZUGSS2 Grille Panel Kit will **NOT** fit this installation.



### Clearances for two products installed side-by-side with right and left side hinges together

Allow 5" (12.7 cm) minimum between the two products to prevent one door from striking the other. Use the WX14X99 adjustable door stop to reduce the factory set 115° door swing and to allow pan removal.

**NOTE:** ZUG2 and ZUGSS2 Grille Panel Kit will **NOT** fit this installation.

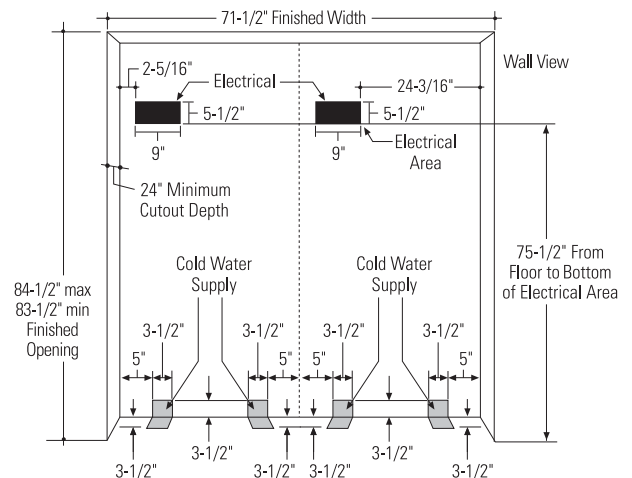
## INSTALLATION

### ZUG2, ZUGSS2 Unified Grille Panel Kit

• If you are installing two units, side by side, the installation space must be 71-1/2" (181.61 cm) wide.

**NOTE:** Additional cutout width may be required when side panels are used. Add side panel thickness to the finished cutout to calculate rough-in width.

- The water and electrical locations for each product must be located as shown.
- A separate 115V, 60Hz., 15 or 20 amp power supply is recommended for each product.



# Design Guide - Stainless Steel Installation

---

## CUSTOMIZATION BASICS:

### Custom Handles and Accessory Kits

#### Professional Style Stainless Steel Models

Stainless steel wrapped refrigerators have beveled edges and professional-style handles. These models are shipped ready for installation.

#### Stainless Steel Wrapped Models

Stainless Steel wrapped models have wrapped doors and grille panel, beveled edges, and tubular stainless steel handles that coordinate with other Monogram appliances. These models are shipped ready for installation.

#### Optional Accessory Kits

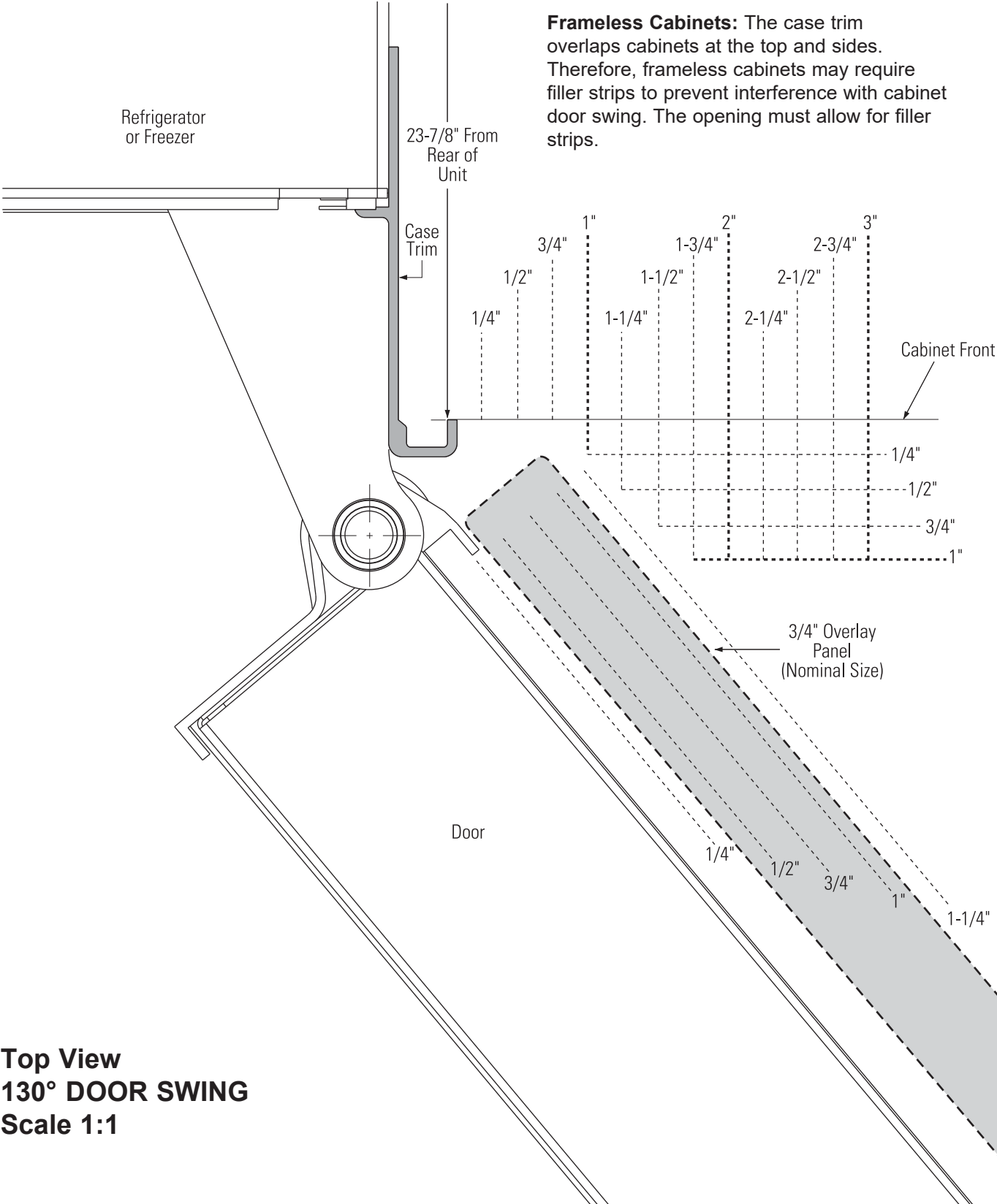
- ZUGSS2: For side-by-side installation of two stainless steel wrapped models. This kit provides a unified stainless steel grille panel to span the width of two units.

## REFRIGERATOR LOCATION

- Do not install the refrigerator where the temperature will go below 55°F (13°C). It will not run often enough to maintain proper temperatures.
- Do not install the refrigerator where temperatures will go above 100°F (37°C). It will not perform properly.
- Do not install the refrigerator in a location exposed to water (rain, etc.) or direct sunlight.
- Install it on a floor strong enough to support it fully loaded.

# Design Guide - Stainless Steel Installation

**Frameless Cabinets:** The case trim overlaps cabinets at the top and sides. Therefore, frameless cabinets may require filler strips to prevent interference with cabinet door swing. The opening must allow for filler strips.



**Top View**  
**130° DOOR SWING**  
**Scale 1:1**

# Installation Instructions - Stainless Steel Installation

## TOOLS AND MATERIALS REQUIRED

- Tin snips to cut banding
- #2 Phillips screwdriver
- Stepladder
- Drill and 1/2", 3/16" bits
- Bucket
- 1/4", 1/2", 5/16", 7/16" socket
- Level
- Safety glasses
- Appliance hand truck
- Pliers
- Tubing cutter
- Stud finder
- 7/16" and 1-1/4" open-end wrench
- 1/4" copper water line tubing or SmartConnect™ Refrigerator Tubing kits
- Water shut-off valve (optional but recommended)
- Screws to secure unit to cabinetry
- Stick-on hook and loop fastener strips for 1/4" (0.63 cm) side panels

## HARDWARE SUPPLIED

- Water filter bypass plug
- Anti-Tip brackets
- 3 lag screws
- 2 Hair Pin Cotters
- 4 washers
- 5 toggles with bolts
- Toekick

## FLOORING

For proper installation, this product must be placed on a level surface of hard material that is at the same height as the rest of the flooring. This surface should be strong enough to support a fully loaded refrigerator or freezer, or approximately 1,200 lbs. per unit.

**NOTE:** Protect the finish of the flooring. Cut a large section of the cardboard carton and place under the product where you are working.

**NOTE:** Not recommended for installation on carpeted flooring.

## GROUNDING THE UNIT

**⚠ WARNING**  **Electrical Shock Hazard.**

Failure to follow these instructions can result in death, fire, or electrical shock.

The power cord of this appliance is equipped with a 3-prong (grounding) plug which mates with a standard 3-prong (grounding) wall receptacle to minimize the possibility of electric shock hazard from this appliance.

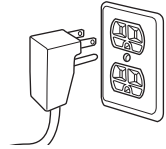
Have the wall outlet and circuit checked by a qualified electrician to make sure the outlet is properly grounded.

Where a standard 2-prong wall outlet is encountered, it is your personal responsibility and obligation to have it replaced with a properly grounded 3-prong wall outlet.

DO NOT, UNDER ANY CIRCUMSTANCES, CUT OR REMOVE THE THIRD (GROUND) PRONG FROM THE POWER CORD.

DO NOT USE AN ADAPTER PLUG TO CONNECT THE REFRIGERATOR TO A 2-PRONG OUTLET.

DO NOT USE AN EXTENSION CORD WITH THIS APPLIANCE.



## LA TERRE DE L'UNITÉ

**⚠ AVERTISSEMENT**  **Risque de choc électrique.**

Le non-respect de ces instructions peut entraîner des risques d'incendies, des chocs électriques ou la mort.

Le cordon d'alimentation de cet appareil est équipé d'une fiche à trois broches (pour une mise à la terre) qui s'adapte à la prise de courant standard à 3 broches (pour une mise à la terre) pour minimiser les risques de chocs électriques par cet appareil.

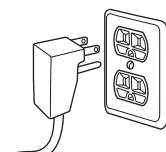
Faites vérifier la prise murale et le circuit électrique par un électricien qualifié pour s'assurer que le système est correctement mis à la terre.

Dans le cas d'une prise biphasée, l'installateur a la responsabilité et l'obligation de la remplacer par une prise triphasée correctement mise à la terre.

NE COUPEZ PAS OU N'ENLEVEZ PAS, SOUS AUCUN PRÉTEXTE, LA TROISIÈME BROCHE DE MISE À LA TERRE DU CORDON D'ALIMENTATION.

N'UTILISEZ PAS D'ADAPTATEUR POUR BRANCHER LE RÉFRIGÉRATEUR À UNE PRISE BIPHASÉE.

N'UTILISEZ PAS DE RALLONGE AVEC CET APPAREIL.



# Installation Instructions - Stainless Steel Installation

## STEP 1 REMOVE PACKAGING

### ⚠ WARNING



**Tip Over Hazard.** Product is much heavier at the top than at the bottom – be careful when moving. When using a hand truck, handle from side only.

### ⚠ AVERTISSEMENT



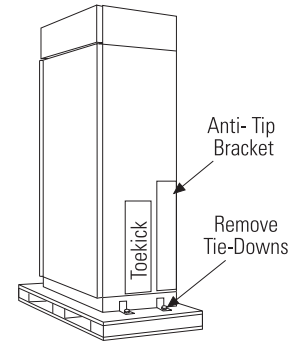
**Risque de basculement**

Le produit est beaucoup plus lourd en haut qu'en bas. Il faut être prudent lors des déplacements. Si un diable est utilisé, il faut soulever le réfrigérateur sur le côté seulement.

- Carefully cut banding at the top and bottom, remove outer carton.
- Slide out back corner posts (2).
- Slide carton off top of cabinet.

**NOTE:** IT IS NOT NECESSARY TO LAY CABINET DOWN IN ORDER TO REMOVE SKID!

**NOTE:** DO NOT ATTEMPT TO ROLL UNIT OFF SKID.



- The unit is secured to the skid with 4 slotted tie-down straps. Remove the four 5/16" bolts from the base channels in the tie-downs.
- Remove toekick, custom handle trim, and wall bracket. Set aside for final installation.
- Lift the unit off the skid with an appliance dolly. Handle from the sides.
- Remove the four 7/16" bolts securing the tie-down brackets to the skid.

## STEP 2 INSTALL WATER LINE

### ⚠ WARNING

**Connect to potable water supply only.**

### ⚠ AVERTISSEMENT

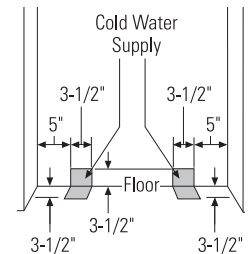
Raccordez l'appareil à une alimentation d'eau potable seulement.

- A cold water supply is required for automatic icemaker operation. The water pressure must be between 40 and 120 p.s.i.
- Route 1/4" OD copper or SmartConnect™ plastic tubing between house cold water line and the water connection location.
- Tubing should be long enough to extend to the front of the unit. Allow enough tubing to accommodate bend leading into the water line connection.

**NOTE:** The only Monogram approved plastic tubing is supplied in the SmartConnect™ Refrigerator Tubing kits. Do not use any other plastic water supply line because the line is under pressure at all times. Other types of plastic may crack or rupture with age and cause water damage to your home.

SmartConnect™ Refrigerator Tubing Kits are available in the following lengths:

2' (.6 m)	WX08X10002
8' (2.4 m)	WX08X10006
15' (4.6 m)	WX08X10015
25' (7.6 m)	WX08X10025



### Shut off the main water supply.

Turn on the nearest faucet long enough to clear the line of water.

- Install a shut-off valve between the icemaker water valve and cold water pipe in a basement or cabinet. **The shut-off valve should be located where it will be easily accessible.**
- Turn on the main water supply and flush debris. Run about a quart of water through the tubing into a bucket. Shut off water supply at the shut-off valve.

**NOTE:** Saddle type shut-off valves are included in many water supply kits. Before purchasing, make sure a saddle type valve complies with your local plumbing codes.

**NOTE:** Commonwealth of Massachusetts Plumbing Codes 248CMR shall be adhered to. Saddle valves are illegal and use is not permitted in Massachusetts. Consult with your licensed plumber.

## STEP 3 INSTALL SIDE PANELS

### Skip this step when not using side panels

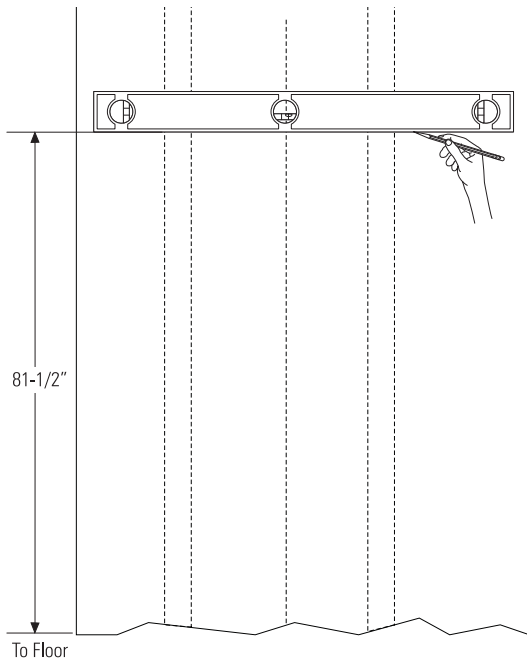
If you are using 1/4" (0.63 cm) side panels, they should be inserted into the case trim.

Fasten the panels to the unit with stick-on hook and loop fastener strips before setting unit in place.

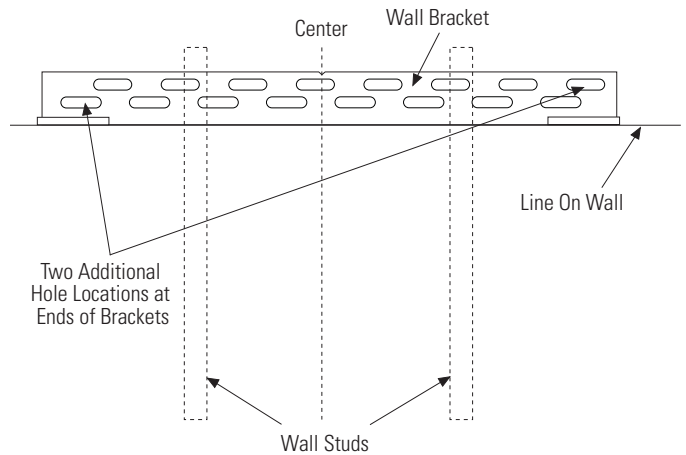
# Installation Instructions - Stainless Steel Installation

## STEP4 INSTALL ANTI-TIP BRACKET (cont.)

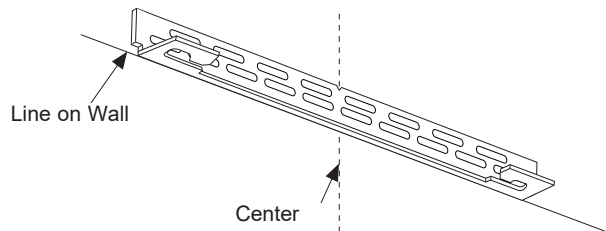
- The kit supplied with the unit contains 2 lag bolts and 4 toggles with bolts. The wall bracket will be attached to the wall in 4 places.
- Measure the opening where the unit is to be installed. Mark the center with a vertical line.
- Measure up 81 1/2 (207.01) from the floor. Mark this point on the wall.
- Using a level, draw a horizontal line on the wall at this height.
- Locate at least 2 studs on the back wall. Mark these points on the horizontal line.
- Place the bottom of the wall bracket with tabs on the horizontal line. Align the center notch on the bracket with the center line on the wall.



- The anti-tip wall bracket has a series of holes. Select 2 holes that match with the located studs. Make sure the holes selected are on the center of the studs. Mark the wall at these points.



- Mark an additional hole at each end of the bracket. If one of the studs is closer to the end of the bracket, mark an additional hole towards the center of the bracket.

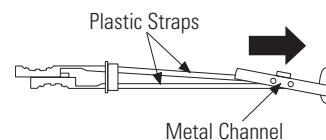


- Drill 1/2" (1.27 cm) holes into the wall board at the locations marked for the toggles to be mounted (not the stud markings).
- Drill 3/16" (0.47 cm) holes into wooden studs where marked. If steel stud construction, drill 1/2" (1.27 cm) holes into the studs where marked. You will use 2 toggles with the metal studs.

### Install Wall Toggles:

The wall toggles and bolts can be ordered as Service Kit #WR49X10193. Wall toggles are installed in the drywall and metal studs for stability. Install the wall toggles as follows:

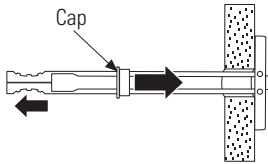
- Drill 1/2" (1.27 cm) holes at the wall markings made in the holes at the ends of the wall bracket.
- Hold the metal channel flat against the plastic straps and slide the channel through the hole.



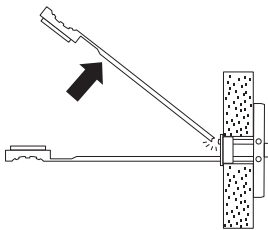
# Installation Instructions - Stainless Steel Installation

## STEP 4 INSTALL ANTI-TIP BRACKET (cont.)

- Gently pull back at the ends of the plastic straps to make the channel rest flush behind the wall.
- Hold the ends of the straps in one hand and slide the plastic cap along the straps until the flange of the cap is flush with the wall.

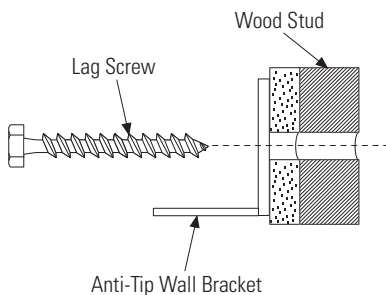


- Place your thumb between the plastic straps and bend up and down to snap the straps off at the wall.

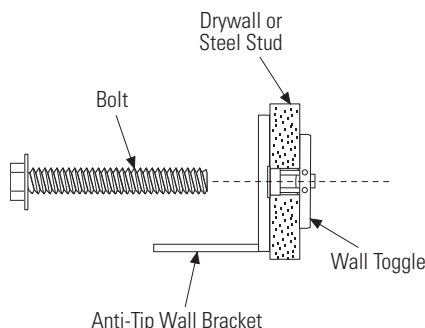


### Install Screws and Bolts:

- Have someone hold the wall bracket centered in place with each of the holes aligned with the correct opening in the bracket and level with the horizontal line.
- Insert the lag screws through the bracket and into the stud. Tighten with a wrench.



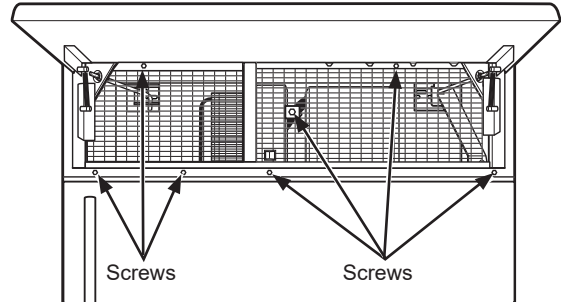
- Insert the bolts into the toggle by hand until snug. Tighten with a wrench.



Remove Grilles for Access to Anti-Tip Locking Hooks

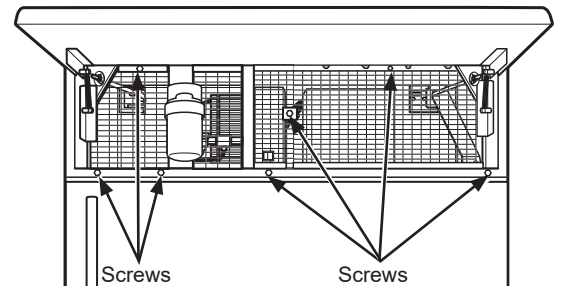
### Fresh Food Unit

- Open the access door.
- Remove the 4 screws from the grille on the right and 3 screws from the grille on the left.
- Pull the bottom of the grille forward, down and out to remove.



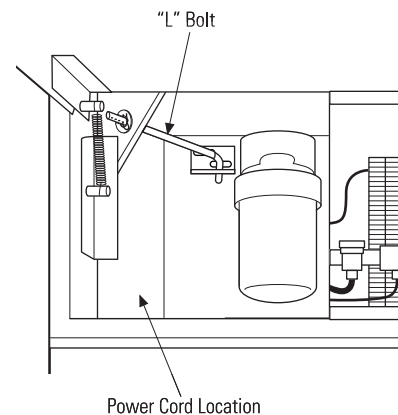
### Freezer Unit

- Open the access door.
- Remove the 4 screws from the grille on the right and 3 screws from the grille on the left.
- Pull the bottom of the grille forward, down and out to remove.



### Power Cord

Locate the power cord inside the left cavity. If it has not been adjusted so the plug is easily accessible, do so now.



# Installation Instructions - Stainless Steel Installation

## STEP 4 INSTALL ANTI-TIP BRACKET (cont.)

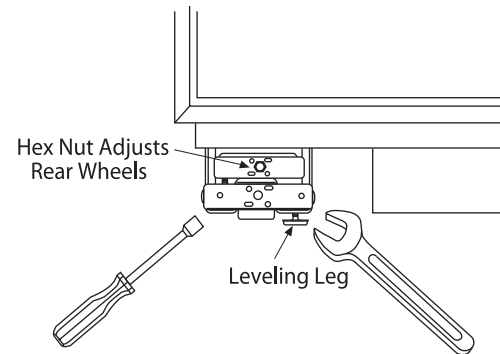
### Move Unit into Final Position

- Move appliance toward its final installed location. Align the tabs on the wall bracket with the openings in the back of the unit.
- The unit has “L” bolts in the upper left and right corners inside of the access compartment. These bolts will interlock with the wall bracket and secure the unit using the washers and hair pin cotters in the hardware kit once the unit has been leveled and is in the final position.

## STEP 5 LEVEL UNIT

All models have 4-point leveling. The front is supported by leveling legs; the rear is supported by adjustable wheels. Both are accessible from the front of the unit.

- To level the back of the unit, turn the 7/16” hex nut located above the front wheels. Turn clockwise to raise or counterclockwise to lower the unit.
- For front leveling, use a 1-1/4” open-end wrench.
- Adjust height of unit to match installation cutout opening 84-1/2” (214.63 cm). The unit should be level and plumb with cabinetry.



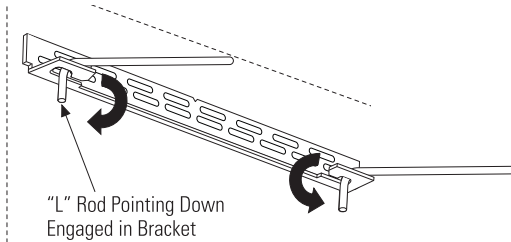
The rear leveling wheels and front leveling legs are limited to a maximum height adjustment of 1” (2.54 cm). If the installation requires more than 84-1/2” (214.63 cm) height, the installer should elevate the unit on a sheet of plywood or runners. Cabinetry trim could also be added across the top of the opening to shorten the opening. If you attempt to raise the unit more than 1” (2.54 cm), you will damage the front leveling legs and the rear leveling wheels.



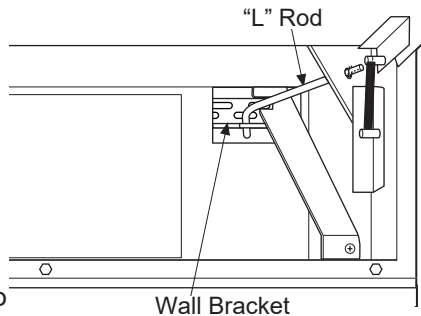
# Installation Instructions - Stainless Steel Installation

## STEP 6 SECURE UNIT TO WALL

- The "L" rods can be found in the upper left and right corners of the unit in the access compartment. Look through the access compartment to make sure the rods line up with the anti-tip bracket.



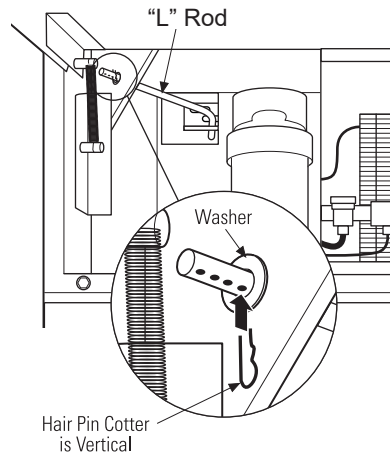
- There are 2 washers and a hair pin cotter per rod. Remove the washers and hair pin cotter from the end of the rod.
- Rotate and move the "L" rod into the slot in the anti-tip bracket. Once it is in the slot, rotate the "L" rod so the hook portion is pointing down. The holes at the front end of the rod should be in a vertical position. Do this to both sides.



- Pull out on the end of the rod to make sure it is secure in the bracket.
- Locate the hole on the rod that is closest to the unit. A hair pin cotter will be put through this hole to secure the rod. If this hole appears to be too far away for a snug fit against the unit, add the washers one at a time until the pin will fit tightly into the hole.
- Align the straight section of the pin with the hole from the underside of the rod. Push the pin up until it snaps into position. Pliers may be used.

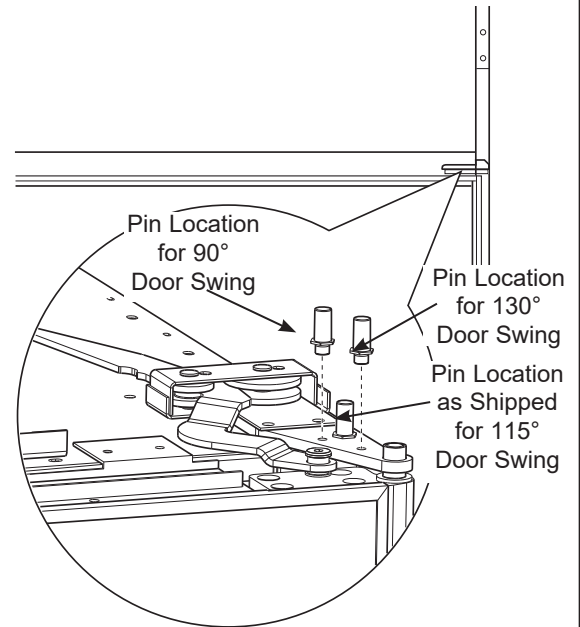
**NOTE:** The hair pin cotter must be vertical when this step is completed to ensure the "L" rod is engaged in the bracket.

- Check the rod for tightness by pulling forward. If the rod moves, remove the hair pin cotter and place another washer on the rod. Reinsert the pin.
- Replace the grille panel.



## STEP 7 ADJUST DOOR SWING

**NOTE:** This appliance has a 3-position door stop. When space does not allow the door to swing open fully to 115°, you may change the door swing to a 90° opening. A 130° door swing is available for standard installation only. **Skip this step if door opening is satisfactory for your installation situation.**



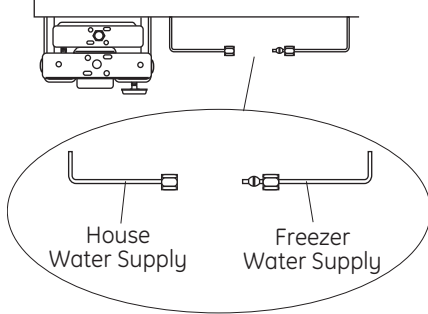
- Open the grille to view the top hinge. Note the door stop pin locations. The pin is factory-installed in the 115° position.
- Use pliers to unscrew the door stop and reinstall into the 90 degree or 130 degree position. Close the grill.

# Installation Instructions - Stainless Steel Installation

## STEP 8 CONNECT WATER SUPPLY (FREEZER MODELS ONLY)

**⚠ WARNING** Connect to potable water supply only.

**⚠ AVERTISSEMENT** Raccordez l'appareil à une alimentation d'eau potable seulement.



- Locate and bring the tubing to the front of the cabinet.
- Turn the water on to flush debris from the line. Run about a quart of water through the tubing into a bucket, then shut off the water.

### Copper Tubing:

- Slip a 1/4" nut and ferrule (provided) over both ends of the copper tubing. Insert the tube into the union fitting on the unit and tighten the nut to the union.
- Turn on the water to check for leaks.

### SmartConnect™ Tubing:

**NOTE:** The only Monogram-approved plastic tubing is supplied in the SmartConnect™ Refrigerator Tubing kits. Do not use any other plastic water supply line because the line is under pressure at all times. Other types of plastic may crack or rupture with age and cause water damage to your home.

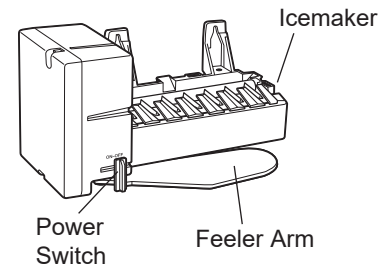
- Insert the molded end of the tubing into the appliance or freezer connection. Tighten the compression nut until it is just hand-tight.
- Tighten one additional turn with a wrench. Overtightening can cause leaks!
- Turn on the water to check for leaks.

**NOTE:** Make sure excess tubing length does not interfere with the toekick installation.

## STEP 9 START ICEMAKER (FREEZER MODELS ONLY)

**⚠ CAUTION** Avoid contact with the moving parts of the ejector mechanism, or with the heating element (located on the bottom of the icemaker) that releases the cubes. Do not place fingers or hands on the automatic ice making mechanism while the freezer is plugged in.

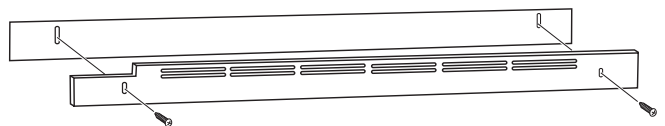
**⚠ ATTENTION** Évitez tout contact avec les pièces mobiles du mécanisme d'éjection, ou l'élément chauffant (situé dans le bas de la machine à glaçons) qui libère les glaçons. Ne placez pas les doigts ou les mains sur le mécanisme de production de glace automatique lorsque le congélateur est branché dans la prise électrique.



- The icemaker will begin operation automatically.
- Be sure nothing interferes with the sweep of the feeler arm.
- Discard the first full bucket of ice cubes.
- To turn the icemaker off, slide the switch to OFF.

## STEP 10 INSTALL TOEKICK

- Locate the supplied toekick (shipped taped to the side of the appliance). Install the toekick assembly with the 2 screws provided, adjust to the desired height and tighten the screws.



**IMPORTANT:** A custom toekick can be installed to match or complement the surrounding cabinetry but can NOT cover the horizontal vent slots of the factory toe kick.

# Notes

---

**NOTE: While performing installations described in this book, safety glasses or goggles should be worn.**

**For Monogram® local service in your area, call 1.800.432-2737.**

**NOTE: Product improvement is a continuing endeavor at General Electric. Therefore, materials, appearance and specifications are subject to change without notice.**