

GE Monogram®

Warming

Drawer

Installation

Instructions

27" Wide Models:

ZKD910

30" Wide Models:

ZTD910

Before you begin — Read these instructions completely and carefully.
 IMPORTANT - Save these instructions for local inspector's use.
 IMPORTANT - OBSERVE ALL GOVERNING CODES AND ORDINANCES.
 Note to Installer - Be sure to leave these instructions with the Consumer.
 Note to Consumer - Keep these instructions with your Use and Care Book for future reference.

⚠ WARNING This appliance must be properly grounded. See “Electrical Supply”, page 4.

If you have a question concerning the installation of this product, call the GE Answer Center® Consumer Information Service at 800.626.2000, 24 hours a day, 7 days a week.

If you received a damaged warming drawer, you should immediately contact your dealer or builder.

Proper installation is the responsibility of the installer. Product failure due to improper installation is not covered under the GE Appliance Warranty. See the Use & Care Guide for warranty information.

- Use this appliance only for its intended purpose.

Check with local utilities for electrical codes that apply in your area. Local codes vary. Installation electrical connections and grounding must comply with applicable codes. In the absence of local codes, the drawer should be installed in accordance with National Electrical Code ANSI/NFPA 70-1990 or latest edition.

⚠ WARNING
ANTI-TIP PRECAUTIONS
 An anti-tip brace must be installed to prevent the drawer from tipping forward when opened and loaded. Failure to do so could result in personal injury.

For Monogram local service in your area, 1-800-444-1845.
For Monogram service in Canada, call 1-888-880-3030.
For Monogram Parts and Accessories, call 1-800-626-2002.

Contents

Design Information	
Models Available	3
Product Dimensions	3
Accessories	3
Tools and Materials Required	3
Installation Preparation	
Advance Planning	4
Grounding the Appliance	4
Remove the Packaging and Parts	5
Installation Below a Countertop	5
Installation Below Wall Ovens	6
Installation	
Step 1: Provide Cabinet Support and Anti-Tip Bracket	7
Step 2: Install Warming Drawer	7
Accessories	
ZXD27B, ZXD30B for Installation of a Custom Panel	8
JXPN1 Pan Kit	10

Design Information

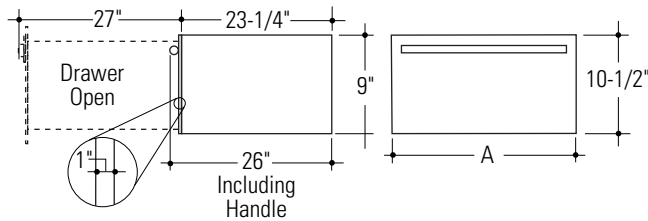
Warming Drawer

Models Available

ZTD910
30" Wide model
ZKD910
27" Wide model

The warming drawers may be installed directly into a wall or wall oven cabinetry, or below a countertop.

Product Dimensions



Dimension A

ZTD910 30"
ZKD910 26-3/4"

Accessories

ZXD27B, ZXD30B – This kit provides for the installation of a custom front panel on 27" and 30" wide models.

JXPN1 – Warming drawer pan kit. This kit includes supports and a set of 5 pans which fit into 27" and 30" models.

Note: The original drawer front and handle will be removed and discarded when this kit is used. A custom handle (not supplied) must be installed to complete the installation.

Tools and Materials Required

- Wood screws and adhesive or other hardware for installing runners or shelf to support warmer drawer.
- 2 x 4 or 2 x 2 lumber for runners
- 2 x 4 or 2 x 2 wood block for anti-tip security
- Saw
- Level
- Drill and 1/16" bit
- Phillips screwdriver

Runners must be level, rigidly mounted and capable of supporting 150 pounds.

Design Information

Warming Drawer

Advance Planning

- The drawer may be installed below a countertop, a cooktop, a single or double oven and side by side using 2 drawers.
- The warming drawer can be installed below approved cooktops. Allow 2" min. clearance from bottom of cooktop burner box to top of warming drawer cutout. See page 5.
- The warming drawer can be installed below approved ovens. Allow a 2" min. clearance between cutouts. Additional clearances may be required. See page 6.
- Electrical power cord is located on the right side of the warming oven. Locate the outlet within reach of the 56" long power cord in an adjacent cabinet, within 42" of the right side or 16" from the left side of the cutout. A recessed receptacle can be installed on the right side of the cutout, 7" max. from the rear of cabinet.

Grounding the Appliance

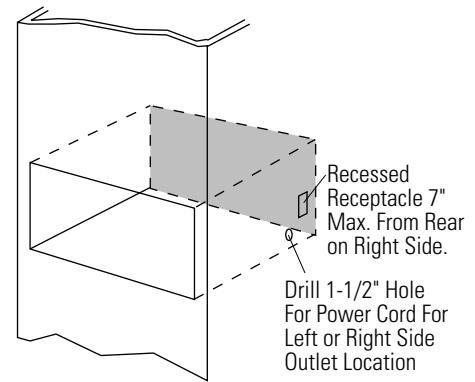
IMPORTANT - (Please read carefully)

FOR PERSONAL SAFETY, THIS APPLIANCE MUST BE PROPERLY GROUNDED.

Do not use an extension cord or adapter plug with this appliance. Follow National electrical codes or prevailing local codes and ordinances.

This warming drawer must be supplied with 120V, 60Hz, and connected to an individual, properly grounded branch circuit, and protected by a 15 or 20 amp circuit breaker or time delay fuse.

- A properly grounded 3-prong receptacle should be located within reach of the drawers' 56" long power cord.
- Locate the receptacle in an adjacent cabinet.
 - within 42" of the right side or,
 - within 16" of the left side or,
 - A recessed receptacle may be located on the right side of the cutout, 7" from the back of the cabinet. In this location, the excess power cord should be coiled and secured to the warming drawer side with the power cord clip.
- When two warming drawers are installed side to side, they can operate from the same receptacle.



IMPORTANT: (Please read carefully).

The power cord of this appliance is equipped with a three-prong (grounding) plug that mates with a standard three-prong grounding wall receptacle to minimize the possibility of electric shock. The customer should have the wall receptacle and circuit checked by a qualified electrician to make sure the receptacle is properly grounded and has the correct polarity.

- Where a standard two-prong wall receptacle is encountered, it is the personal responsibility and obligation of the customer to have it replaced with a properly grounded three-prong wall receptacle.

Do not, under any circumstances, cut or remove the third (ground) prong from the power cord.

DO NOT USE AN EXTENSION CORD.

Installation Preparation

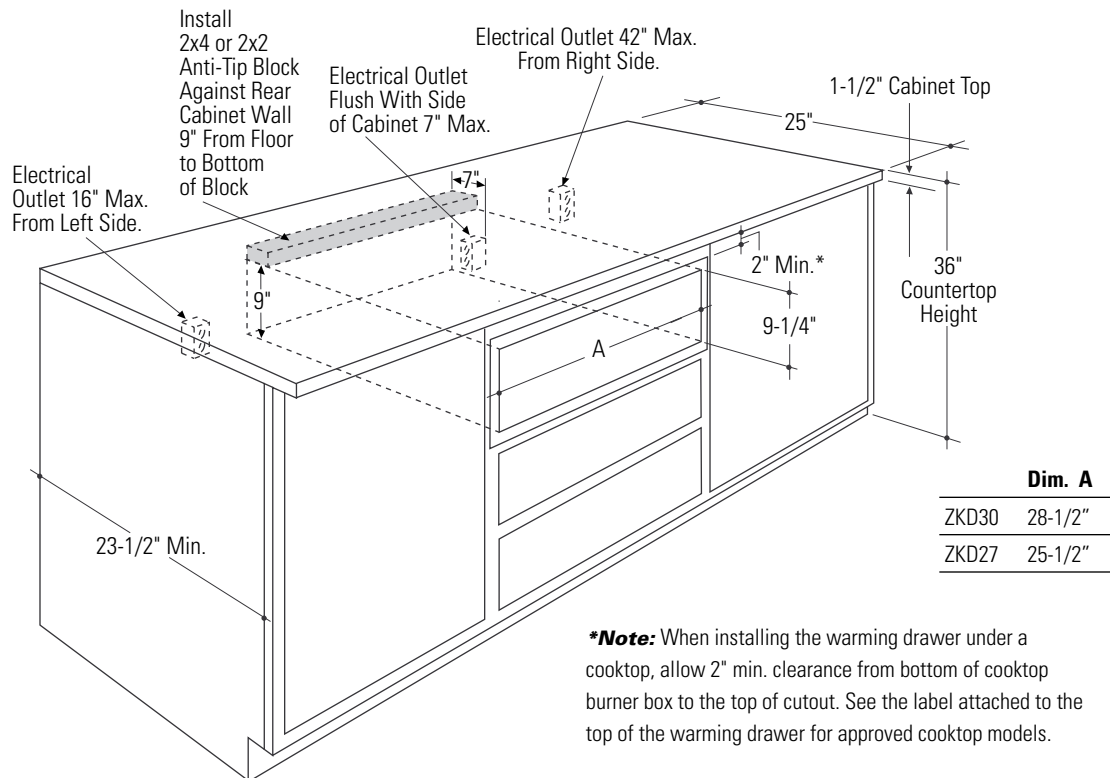
Warming Drawer

Remove Packaging and Parts

- Place carton on a flat surface.
- Open one end of the carton and lift off the top piece.
- Lift the warmer up and out of the carton.
- Place the drawer on top of the shipping carton to protect the drawer front and the finished flooring.
- Remove all packing materials and tape.
- Locate package containing 4 wood screws and set aside.

- Parts provided:
- 4 Wood Screws

Installation Below a Countertop



- When installed, the front face of the drawer will be nearly flush with adjacent cabinetry doors.
 - Drawer overlaps will conceal cut edges on all sides of the opening.
- The rough opening for the drawer must be:
- Depth - 23-1/2" min. from inside back to front of cabinet frame.
 - Width - 25-1/2" for 27" wide models, 28-1/2" for 30" wide models.
 - Height - 9-1/4".
- 5" min. above floor or 1" above toekick. 23-1/4" from floor to bottom of cutout is recommended for under countertop installation.

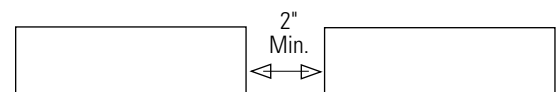
Installation below a cooktop:

- Warming drawers are approved for installation below only certain specified cooktop models. See the label attached to the top of the warming drawer for approved models.

Note: If you are installing in frameless cabinets, it may be necessary to install 1/2" wide cleats to accept drawer mounting screws. See drawer to find exact locations of mounting screws.

Side to Side Installation:

- Install two warming drawers in separate cutouts. Allow 2" min. between cutouts.



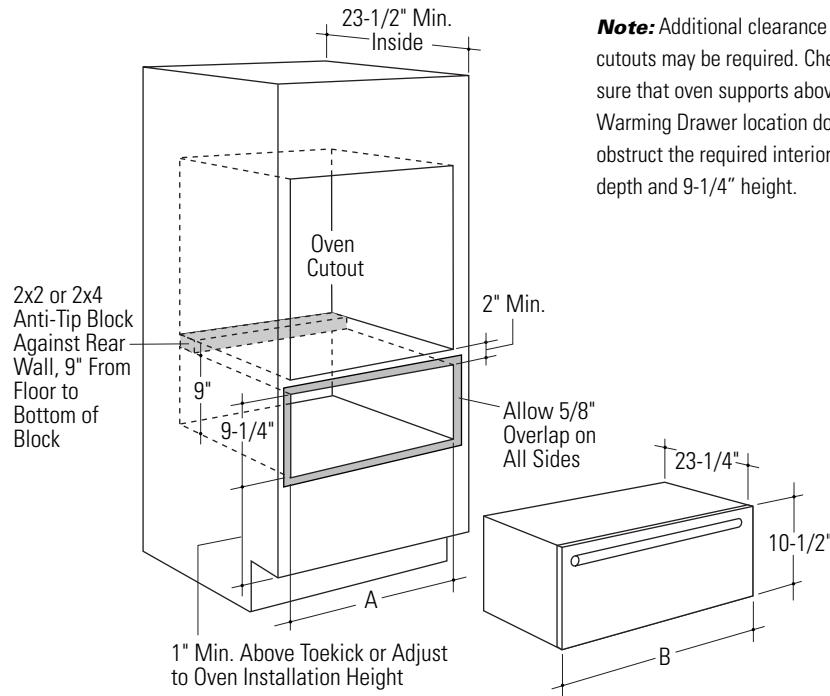
Side to Side Installation

Design Information

Warming Drawer

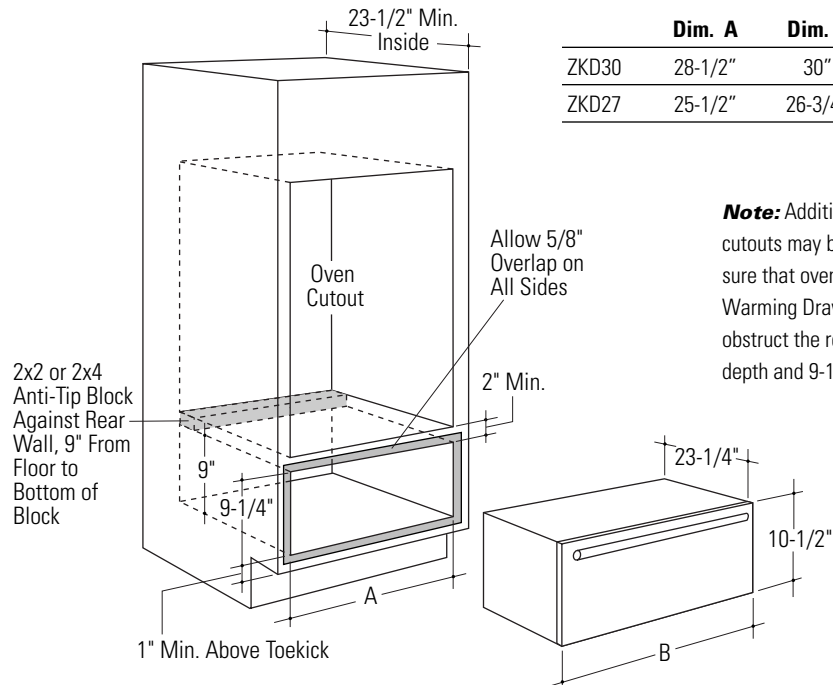
Installation Below Wall Ovens

INSTALLATION BELOW A SINGLE OVEN



Note: Additional clearance between cutouts may be required. Check to be sure that oven supports above the Warming Drawer location does not obstruct the required interior 23-1/2" depth and 9-1/4" height.

INSTALLATION BELOW A DOUBLE OVEN



Note: Additional clearance between cutouts may be required. Check to be sure that oven supports above the Warming Drawer location does not obstruct the required interior 23-1/2" depth and 9-1/4" height.

	Dim. A	Dim. B
ZKD30	28-1/2"	30"
ZKD27	25-1/2"	26-3/4"

When installed under a wall oven:

Warming drawers are approved for installation below only certain specified wall oven models. See the label attached to the top of the warming drawer for approved models.

- When installed, the front face of the drawer will be nearly flush with adjacent cabinetry doors.
- Drawer overlaps will conceal cut edges on all sides of the opening.

The rough opening for the drawer must be:

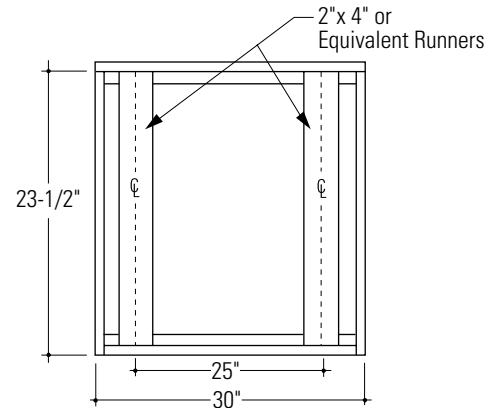
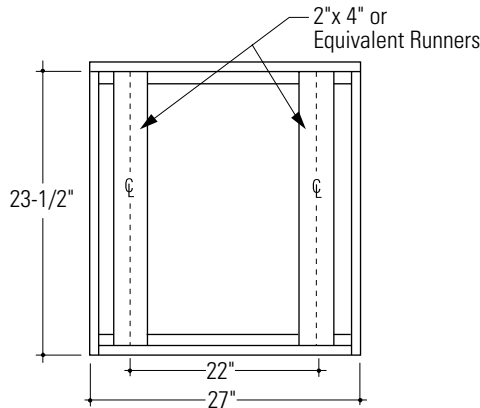
- Depth – 23-1/2" min. from inside back to front of cabinet frame.
- Width – 25-1/2" for 27" wide models, 28-1/2" for 30" wide models.
- Height - 9-1/4".
- Allow 2" min. between oven and drawer cutouts for clearance of overlaps.

Note: If you are installing in frameless cabinets, it may be necessary to install 1/2" wide cleats to accept drawer mounting screws. See drawer for mounting screw locations.

Installation

Warming Drawer

Provide Cabinet Support



Important: When installed below a single or double oven, check to be sure that any oven supports above the cutout do not obstruct the 23-1/2" required depth of the warming drawer cutout.

- A 2" min. clearance between oven and warming drawer cutouts are required. Additional clearance may be required if 2 x 4 blocks are used to support runners or solid floor of the oven above.

- The warmer drawer may be supported by either a solid bottom, 2 x 4 or 2 x 2 runners.
- The support must be level and rigidly mounted, flush with the bottom edge of the cutout.
 - There is no way to level the drawer once it has been installed. Be sure supports are level.
- The entire weight of the drawer is supported by the runners or solid floor and must be capable of supporting 150 lbs.

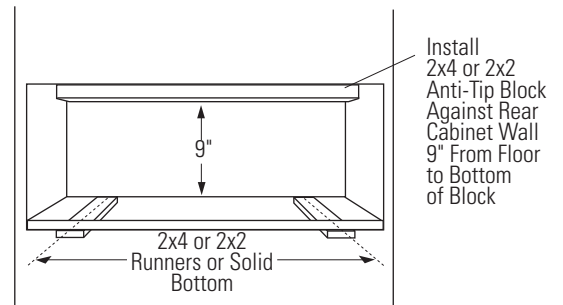
Step 1 Install Anti-Tip Brackets

⚠ WARNING

ANTI-TIP PRECAUTIONS

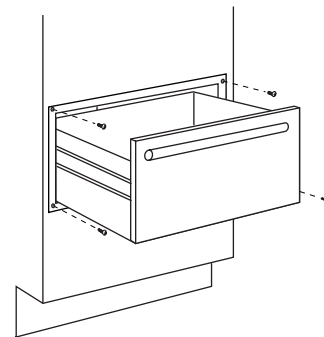
An anti-tip brace must be installed to prevent the drawer from tipping forward when opened and loaded.

Failure to do so could result in personal injury.



Step 2 Install Warming Drawer

- Slide left corner of the drawer into the opening.
- Push power cord into the hole leading to the outlet location. Thread the cord through as drawer is being pushed back into the opening. Check to be sure power cord does not get trapped under the drawer.
 - If the outlet is installed inside the opening, plug the cord into the outlet. Coil power cord and secure to warming drawer side with power cord clip.
- Push the drawer back until the front flange is flush to the cabinet front.



- Open the drawer fully.
- Drill pilot holes through the holes in the overlapping frame, one on each corner.
- Drive wood screws provided into each corner.

ZXD27B, ZXD30B Accessory

Installation of a Custom Panel

Tool and Materials required:

- Phillips screwdriver
- Drill and appropriate bits
(Brad point recommended for drilling through wood panels)
- Custom panel
- Custom handle
- Adhesive recommended for metal to wood

Parts Supplied

- Lamp Jewel
- Metal mounting panel

This kit contains a mounting panel to support a trimless custom drawer front up to 3/4" thick. A custom handle *of your choice*, must be installed on the new panel.

Important: The warming drawer should be installed according to the installation instructions packed with the product. The original drawer front panel with handle will be removed and discarded to make this installation.

- Cut edges of the drawer panel will be seen and must be finished for best appearance.
- The custom drawer front panel, both raised and flat design, should be constructed in the same manner as typical cabinet doors.
- Order the custom drawer panel from the cabinet manufacturer. Be sure to provide the exact dimensions so that the panel is constructed accurately.
- Order a custom handle to complement or match surrounding cabinetry handles.

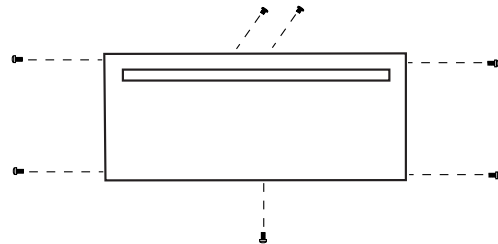
STEP 1:

- Open the drawer fully.
- Turn the warming drawer off.

STEP 2:

Remove original drawer front

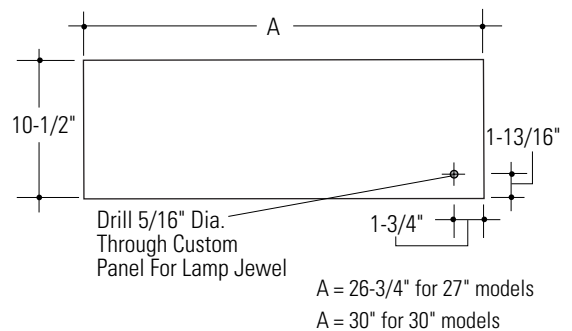
- Remove two screws on each side and one screw at the bottom of the drawer edge.
- Remove two screws on the inside of the drawer at the top. Retain all screws.
 - Support the glass drawer front as you remove screws to prevent the possibility of falling.



STEP 3:

Prepare the custom panel

- The custom panel must be sized to fit the dimensions shown for your model.
- Drill a 5/16" diameter hole through the appearance side of the panel. This hole will hold the lamp jewel.
 - A Brad point drill bit is recommended.



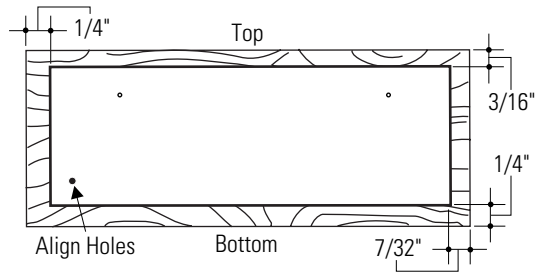
ZXD27B, ZXD30B Accessory

Installation of a Custom Panel

STEP 4:

Secure custom panel to metal mounting panel

- Lay the custom panel, appearance side down, on a clean surface.
- Place the flat side of the metal panel onto the back side of the custom panel, with the mounting flanges facing up.
- Align the lamp hole in the panel with the mounting panel.
- Check top, bottom and side dimensions from the metal panel to wood panel edges.



Back Side of Appearance Panel
with Support Panel

STEP 5:

Apply adhesive to custom panel less than 3/4" thick

- Separate the custom panel and metal panel.
- Apply a few horizontal beads of adhesive to the metal panel. Avoid adhesive within 1" of lamp hole area and outer edges.

STEP 5A:

Secure 3/4" thick panels with screws

3/4" thick panels may be secured to the metal panel with screws.

- Use the metal panel as a template. Position the metal panel over the back side of the custom panel and drill pilot holes. Drill pilot holes sized to match screws being used (screws not provided).

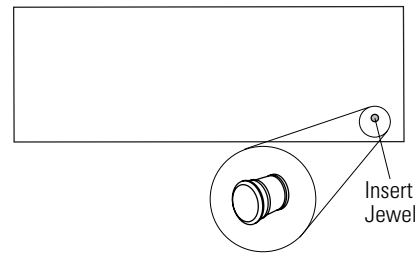
Caution: Select screw length carefully to avoid penetration of the finished side.

STEP 6

Install lamp jewel

Turn the assembly appearance side up.

- Insert the red indicator lamp jewel through the front custom panel surface as shown.
 - If the hole is slightly oversized, apply a small amount of adhesive to the barrel.



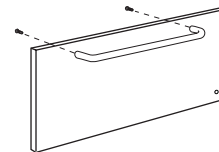
STEP 7

Install Custom Handle

A custom handle (not supplied) must be installed.

- Drill pilot holes through the front of the custom panel and through the metal panel to match the chosen handles.

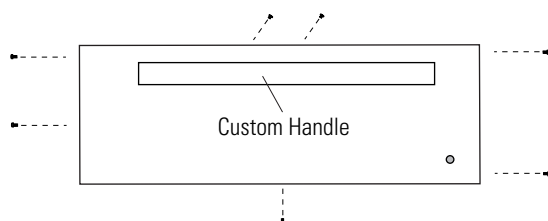
Note: The handle screws should be installed through the metal panel, the custom panel and into the custom handle.



STEP 8:

Install assembled panel to the warming drawer

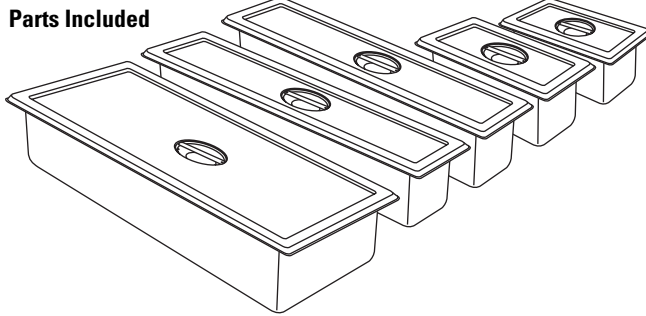
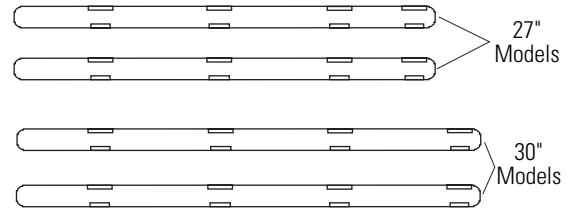
- Install the custom panel assembly to the exposed drawer front using the original 7 screws.



JXPN1 Accessory

Pan Kit for Warming Drawer

This kit contains supports and pans to fit your new Warming Drawer. This kit is designed to fit both 27" and 30" wide models. Select the parts for your model and discard the parts that do not fit.



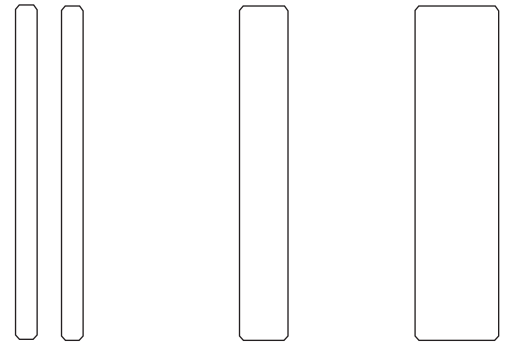
Parts Included

One Full size pan with Lid, 21" long x 13" wide x 4" deep

Two Half Size Pans with Lids, 21" long x 6-1/2" wide x 4" deep

Two Quarter Size Pans with Lids, 10-1/2" long x 6-1/2" wide x 4" deep

Two sets of Side to Side Support Rails
(one set for 27" and one for 30" wide models)

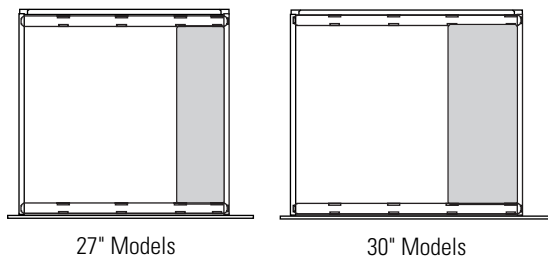


Front to Back
Support Rails
For All Models

Filler Panel
27" Models

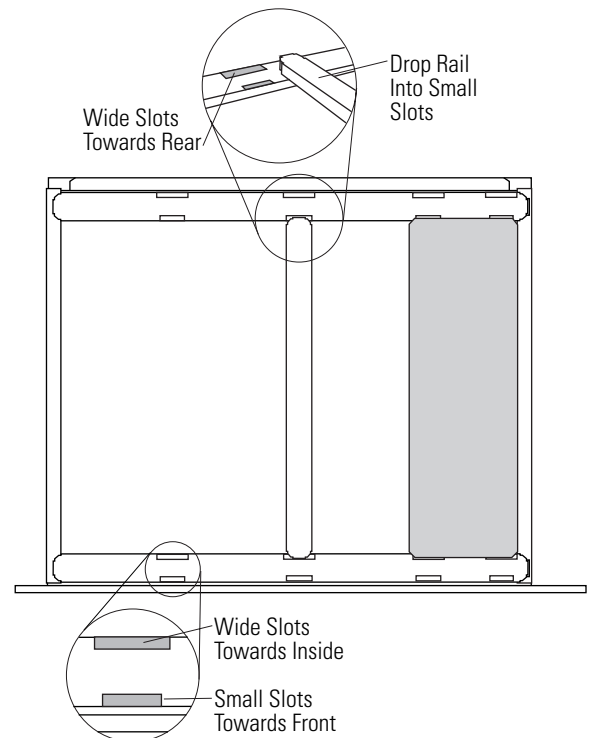
Filler Panel
30" Models

1. Remove the packaging and separate parts.
2. Open the drawer fully.
3. Select the side to side rails to fit your model.
4. Drop a side to side rail (with slots in the top) into the slots at the rear and one in the front of the drawer. Note that slots fit only one way, with the wide interlocking tabs on the right sides.
5. Drop filler panel into the right side.



27" Models

30" Models



6. Drop one or two front to back rails into matching slots.

JXPN1 Accessory

Pan Kit for Warming Drawer

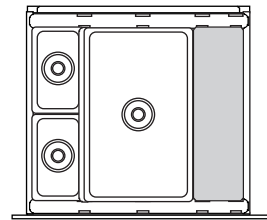
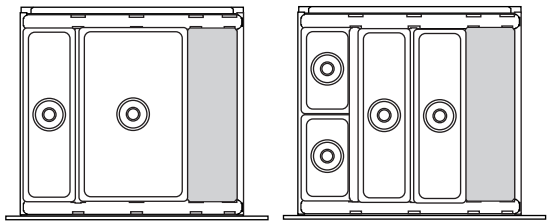
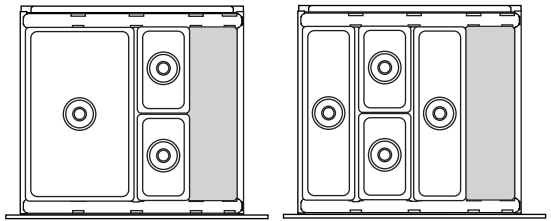
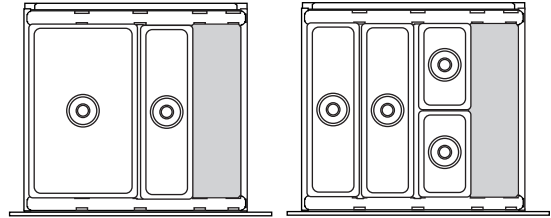
7. Arrange pans to suit food storage needs.
8. Discard the Side to side rails and filler panel not used.

Important Notes:

- Use the pan lids to keep foods moist.
- Do not use plastic wrap! Plastic wrap could melt and damage the interior of your warming drawer.
- Do not place water in the bottom of the warming drawer pan. Moisture can form on cabinets or drip below.

Combinations with full size pan

Combinations without full size pan.



NOTE: While performing installations described in this book, safety glasses or goggles should be worn.

To obtain specific information concerning any Monogram product or service, call GE Answer Center® consumer information service at 800.626.2000—any time, day or night.

For Monogram local service in your area, call 1-800-444-1845.

NOTE: Product improvement is a continuing endeavor at General Electric. Therefore, materials, appearance and specifications are subject to change without notice.



Monogram.®

General Electric Company
Louisville, KY 40225

Pub. No. 49-8937
Part No. 164D3333P167
© 1999 GE Appliances
(N.D. 298) 4/99
977-0160-001