

# Installation Instructions

**If you have questions**, call 800-GE-CARES or visit our website at: **[www.monogram.com](http://www.monogram.com)**

## **27" and 30" Warming Drawers**

Models:  
ZKD910  
ZTD910



***Monogram***<sup>®</sup>

**Before you begin** – Read these instructions completely and carefully.

**IMPORTANT** – Save these instructions for local inspector’s use.

**IMPORTANT** – OBSERVE ALL GOVERNING CODES AND ORDINANCES.

**Note to Installer** – Be sure to leave these instructions with the Consumer.

**Note to Consumer** – Keep these instructions with your Owner’s Manual for future reference.

**⚠ WARNING** This appliance must be properly grounded. See “Electrical Supply”, page 4.

**⚠ ATTENTION** Cet appareil doit être correctement mis à la terre. Consulter page 4.

If you received a damaged warming drawer, you should immediately contact your dealer or builder.

Proper installation is the responsibility of the installer. Product failure due to improper installation is not covered under the GE Appliance Warranty. See the Use & Care Guide for warranty information.

- Use this appliance only for its intended purpose.

Check with local utilities for electrical codes that apply in your area. Local codes vary. Installation electrical connections and grounding must comply with applicable codes. In the absence of local codes, the drawer should be installed in accordance with National Electrical Code ANSI/NFPA 70-1990 or latest edition.

## **WARNING:**

### **ANTI-TIP PRECAUTIONS**

An anti-tip brace must be installed to prevent the drawer from tipping forward when opened and loaded. Failure to do so could result in personal injury.

## **PRÉCAUTIONS :**

### **CONTRE LE BASCULEMENT**

Pour éviter les blessures, il faut installer une patte de retenue pour empêcher le tiroir de basculer quand il est ouvert et plein.

For Monogram local service in your area, 1.800.444.1845.

For Monogram service in Canada, call 1.888.880.3030.

For Monogram Parts and Accessories, call 1.800.626.2002.

## *Contents*

### **Design Information**

Models Available .....	3
Product Dimensions .....	3
Accessories .....	3
Tools and Materials Required .....	3

### **Installation Preparation**

Advance Planning .....	4
Grounding the Appliance .....	4
Remove the Packaging and Parts .....	5
Installation Below a Countertop .....	5
Installation Below Wall Ovens .....	6

### **Installation**

Step 1: Provide Cabinet Support and Anti-Tip Bracket .....	7
Step 2: Install Warming Drawer .....	7

# Design Information

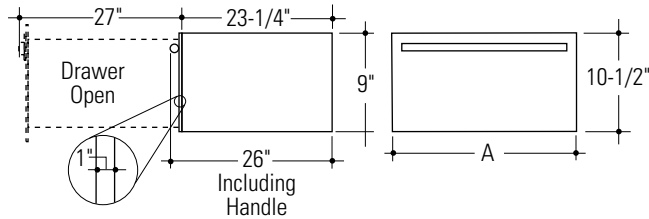
## Warming Drawer

### Models Available

**ZTD910**  
30" Wide model  
**ZKD910**  
27" Wide model

The warming drawers may be installed directly into a wall or wall oven cabinetry, or below a countertop.

### Product Dimensions



#### Dimension A

ZTD910 30"  
ZKD910 26-3/4"

### Accessories

**ZXD27B, ZXD30B** – This kit provides for the installation of a custom front panel on 27" and 30" black and white wide models.

**JXPN2** – Warming drawer pan kit. This kit includes supports and one full size and one half size pan with lids. The pans fit 27" and 30" wide models.

**NOTE:** The original drawer front will be removed and discarded when this kit is used. The tubular handle can be reinstalled onto the custom panel with longer screws (not provided). Or, the original handle can be replaced with a custom handle *of your choice*. (Handle is not supplied.) Choose a custom handle to match or complement cabinetry hardware.

### Tools and Materials Required

- Wood screws and adhesive or other hardware for installing runners or shelf to support warmer drawer.
- 2 x 4 or 2 x 2 lumber for runners
- 2 x 4 or 2 x 2 wood block for anti-tip security
- Saw
- Level
- Drill and 1/16" bit
- Phillips screwdriver

Runners must be level, rigidly mounted and capable of supporting 150 pounds.

## Design Information

### Warming Drawer

#### Advance Planning

- The drawer may be installed below a countertop, a cooktop, a single or double oven and side by side using 2 drawers.
- The warming drawer can be installed below approved cooktops. Allow 2" min. clearance from bottom of cooktop burner box to top of warming drawer cutout. See page 5.
- The warming drawer can be installed below approved ovens. Allow a 2" min. clearance between cutouts. Additional clearances may be required. See page 6.
- Electrical power cord is located on the right side of the warming oven. Locate the outlet within reach of the 56" long power cord in an adjacent cabinet, within 42" of the right side or 16" from the left side of the cutout. A recessed receptacle can be installed on the right side of the cutout, 7" max. from the rear of cabinet.

#### Grounding the Appliance

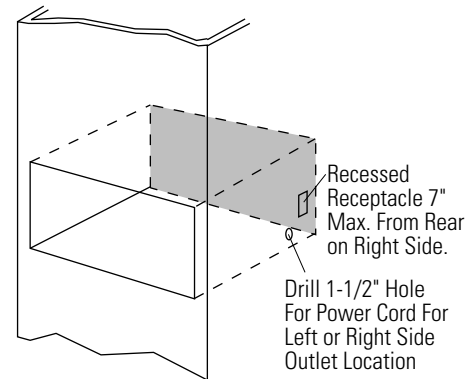
##### **IMPORTANT – (Please read carefully)**

FOR PERSONAL SAFETY, THIS APPLIANCE MUST BE PROPERLY GROUNDED.

Do not use an extension cord or adapter plug with this appliance. Follow National electrical codes or prevailing local codes and ordinances.

This warming drawer must be supplied with 120V, 60Hz, and connected to an individual, properly grounded branch circuit, and protected by a 15 or 20 amp circuit breaker or time delay fuse.

- A properly grounded 3-prong receptacle should be located within reach of the drawers' 56" long power cord.
- Locate the receptacle in an adjacent cabinet.
  - within 42" of the right side or,
  - within 16" of the left side or,
  - A recessed receptacle may be located on the right side of the cutout, 7" from the back of the cabinet. In this location, the excess power cord should be coiled and taped to the right side of the unit.
- When two warming drawers are installed side to side, they can operate from the same receptacle.



##### **IMPORTANT – (Please read carefully)**

The power cord of this appliance is equipped with a 3-prong (grounding) plug that mates with a standard 3-prong grounding wall receptacle to minimize the possibility of electric shock. The customer should have the wall receptacle and circuit checked by a qualified electrician to make sure the receptacle is properly grounded and has the correct polarity.

- Where a standard 2-prong wall receptacle is encountered, it is the personal responsibility and obligation of the customer to have it replaced with a properly grounded 3-prong wall receptacle.

Do not, under any circumstances, cut or remove the third (ground) prong from the power cord.

**DO NOT USE AN EXTENSION CORD.**

# Installation Preparation

## Warming Drawer

### Remove Packaging and Parts

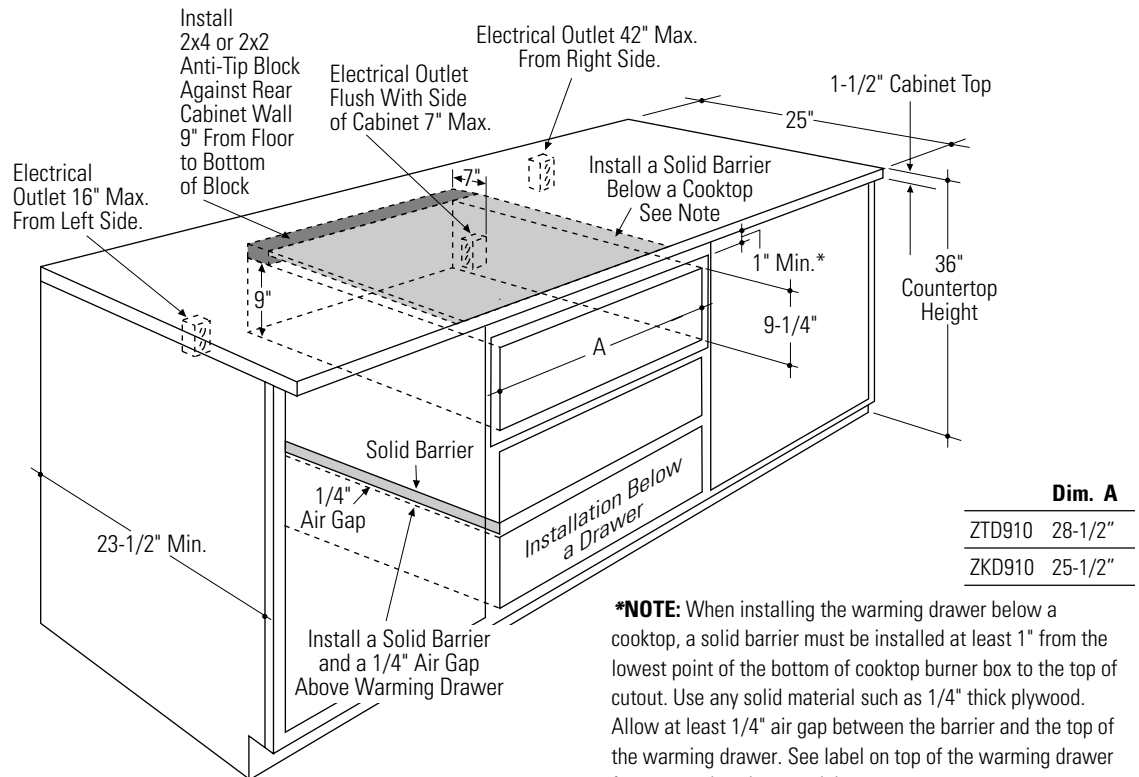
- Place carton on a flat surface.
- Open one end of the carton and lift off the top piece.
- Lift the warmer up and out of the carton.
- Place the drawer on top of the shipping carton to protect the drawer front and the finished flooring.

- Remove all packing materials and tape.
- Locate package containing 4 wood screws and set aside.

#### Parts provided:

- 4 Wood Screws

### Installation Below a Countertop



- When installed, the front face of the drawer will be nearly flush with adjacent cabinetry doors.
- Drawer overlaps will conceal cut edges on all sides of the opening.  
The rough opening for the drawer must be:
  - Depth: 23-1/2" min. from inside back to front of cabinet frame.
  - Width: 25-1/2" for 27" wide models, 28-1/2" for 30" wide models.
  - Height: 9-1/4".
- 5" min. above floor or 1" above toekick. 23-1/4" from floor to bottom of cutout is recommended for under countertop installation.

#### Installation below a cooktop:

Warming drawers are approved for installation below only certain specified cooktop models. See the label attached to the top of the warming drawer for approved models. A solid barrier and air gap between cooktop and warming drawer is required. See Note above.

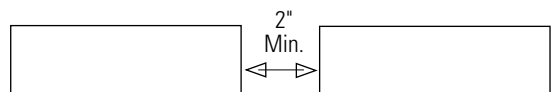
#### Installation below a cabinet drawer:

The warming drawer may be installed beneath a cabinet drawer. In this installation, a solid barrier should be installed above the warming drawer to block access. Use any solid material such as 1/4" thick plywood. Allow at least 1/4" air gap between the barrier and the top of the warming drawer. Observe the 5" min. above the floor or 1" above the toekick minimum installation height.

**NOTE:** If you are installing in frameless cabinets, it may be necessary to install 1/2" wide cleats to accept drawer mounting screws. See drawer to find exact locations of mounting screws.

#### Side to Side Installation:

Install two warming drawers in separate cutouts. Allow 2" min. between cutouts.



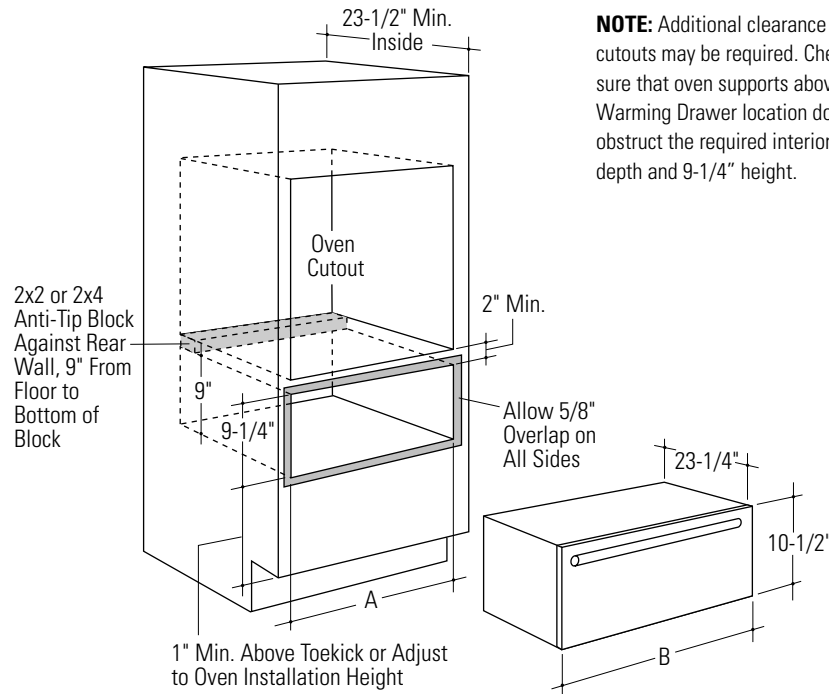
Side to Side Installation

# Design Information

## Warming Drawer

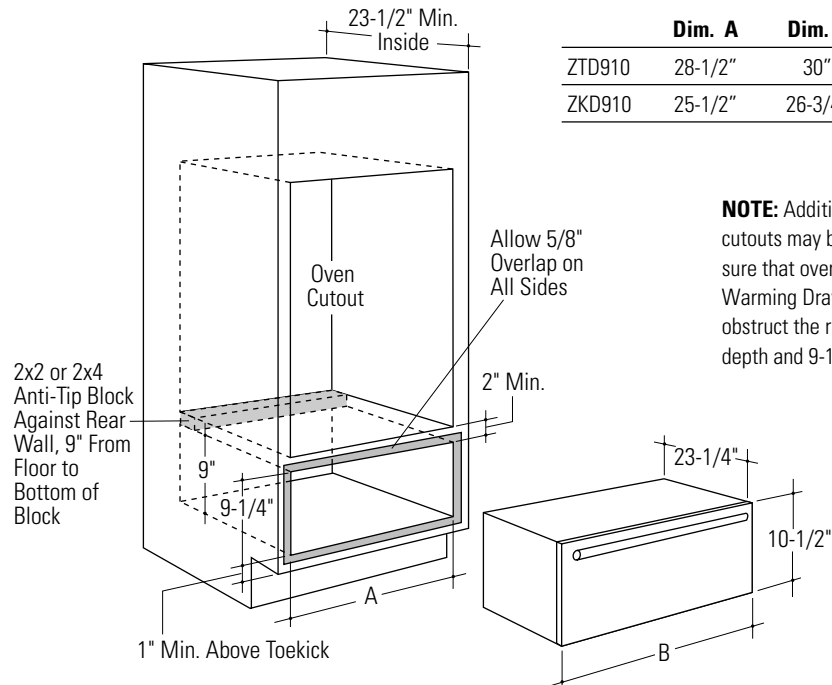
### Installation Below Wall Ovens

#### INSTALLATION BELOW A SINGLE OVEN



**NOTE:** Additional clearance between cutouts may be required. Check to be sure that oven supports above the Warming Drawer location does not obstruct the required interior 23-1/2" depth and 9-1/4" height.

#### INSTALLATION BELOW A DOUBLE OVEN



**NOTE:** Additional clearance between cutouts may be required. Check to be sure that oven supports above the Warming Drawer location does not obstruct the required interior 23-1/2" depth and 9-1/4" height.

	Dim. A	Dim. B
ZTD910	28-1/2"	30"
ZKD910	25-1/2"	26-3/4"

#### When installed under a wall oven:

Warming drawers are approved for installation below only certain specified wall oven models. See the label attached to the top of the warming drawer for approved models.

- When installed, the front face of the drawer will be nearly flush with adjacent cabinetry doors.
- Drawer overlaps will conceal cut edges on all sides of the opening.

The rough opening for the drawer must be:

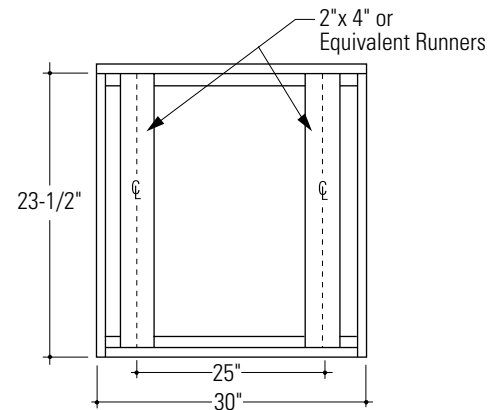
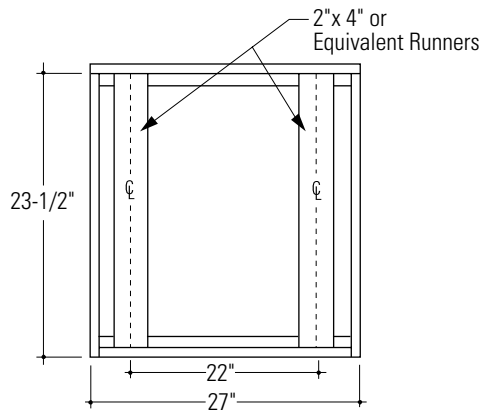
- Depth: 23-1/2" min. from inside back to front of cabinet frame.
- Width: 25-1/2" for 27" wide models, 28-1/2" for 30" wide models.
- Height: 9-1/4".
- Allow 2" min. between oven and drawer cutouts for clearance of overlaps.

**NOTE:** If you are installing in frameless cabinets, it may be necessary to install 1/2" wide cleats to accept drawer mounting screws. See drawer for mounting screw locations.

# Installation

## Warming Drawer

*Provide Cabinet Support*



**IMPORTANT:** When installed below a single or double oven, check to be sure that any oven supports above the cutout do not obstruct the 23-1/2" required depth of the warming drawer cutout.

- A 2" min. clearance between oven and warming drawer cutouts are required. Additional clearance may be required if 2 x 4 blocks are used to support runners or solid floor of the oven above.
- The warmer drawer may be supported by either a solid bottom, 2 x 4 or 2 x 2 runners.

- The support must be level and rigidly mounted, flush with the bottom edge of the cutout.
  - There is no way to level the drawer once it has been installed. Be sure supports are level.
- The entire weight of the drawer is supported by the runners or solid floor and must be capable of supporting 150 lbs.

*Step 1  
Install  
Anti-Tip  
Brackets*

### WARNING:

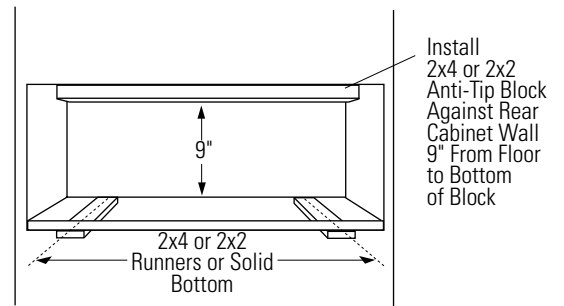
#### ANTI-TIP PRECAUTIONS

An anti-tip brace must be installed to prevent the drawer from tipping forward when opened and loaded. Failure to do so could result in personal injury.

### PRÉCAUTIONS :

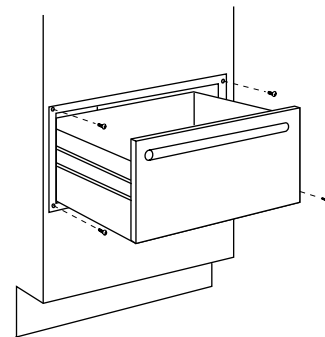
#### CONTRE LE BASCULEMENT

Pour éviter les blessures, il faut installer une patte de retenue pour empêcher le tiroir de basculer quand il est ouvert et plein.



*Step 2  
Install  
Warming  
Drawer*

- Slide left corner of the drawer into the opening.
- Push power cord into the hole leading to the outlet location. Thread the cord through as drawer is being pushed back into the opening. Check to be sure power cord does not get trapped under the drawer.
  - If the outlet is installed inside the opening, plug the cord into the outlet. In this location, the excess power cord length should be coiled and taped to the right side of the unit.
- Push the drawer back until the front flange is flush to the cabinet front.



- Open the drawer fully.
- Drill pilot holes through the holes in the overlapping frame, one on each corner.
- Drive wood screws provided into each corner.

**NOTE:** While performing installations described in this book, safety glasses or goggles should be worn.

*For Monogram® local service in your area, call 1.800.444.1845.*

**NOTE:** Product improvement is a continuing endeavor at General Electric. Therefore, materials, appearance and specifications are subject to change without notice.

Pub. No. 49-8937-2
Dwg. No. 164D3333P167

09-04 JR

Printed in the United States



**Monogram.®**

*GE Consumer & Industrial  
Louisville, KY 40225*

©2004 GE Company