



Washers

Safety Instructions.....2

Washing Procedures.....3 - 6

Care and Cleaning.....7

Troubleshooting Tips.....8

Consumer Warranty.....9

Consumer Support.....10

Owner's Manual

GCRH410

Laveuses

Manuel d'utilisation

La section française commence à la page 11



As an ENERGY STAR® partner, GE has determined that this product meets the ENERGY STAR® guidelines for energy efficiency.





This Use and Care Guide provides general operating instructions for your washer. It also contains information about features for several other models. Your washer may not have every feature included here.


Use the washer only as instructed in this Use and Care Guide and the **Operating Instructions** included with your washer.

Your safety and the safety of others is very important.

We have provided many important safety messages in the Use and Care Guide, Operating Instructions, Installation Instructions and on your appliance. Always read and obey all safety messages.

 This is the safety alert symbol. This symbol alerts you to hazards that can kill or hurt you or others. All safety messages will be preceded by the safety alert symbol and the word "DANGER" or "WARNING". These words mean:

 **DANGER** You will be killed or seriously injured if you don't follow instructions.

 **WARNING** You can be killed or seriously injured if you don't follow instructions.

All safety messages will identify the hazard, tell you how to reduce the chance of injury, and tell you what can happen if the instructions are not followed.



Pedestal

A pedestal accessory, **Model No. NLPWD15**, specifically designed for this washer may be used when elevating the washer for ease of use. Failure to use accessories certified by the manufacturer could result in personal injury, property damage or damage to the washer.


Important Safety Instructions

SAVE THESE INSTRUCTIONS


Read all instructions before using this washer.


 **WARNING** To reduce the risk of fire, electrical shock, or injury to persons when using this washer, comply with the basic warnings listed below.
 Failure to comply with these warnings could result in serious personal injuries.

Prevent Fire

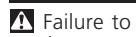
 **WARNING** Do not wash items that have been previously cleaned in, soaked in, or spotted with gasoline, cleaning solvents, kerosene, cooking oils, waxes, etc. Do not store these items on or near the washer. These substances give off vapors or chemical reactions that could ignite or explode.

 **WARNING** Do not put oily or greasy rags or clothing on top of the washer. These substances give off vapors that could ignite the materials.


 **WARNING** Do not add gasoline, cleaning solvents, or other flammable or explosive substances to the wash water. These substances give off vapors that could ignite or explode.

 **WARNING** Under certain conditions, hydrogen gas may be produced in a hot water system that has not been used for 2 weeks or more. **HYDROGEN GAS IS EXPLOSIVE.** If the hot water system has not been used for such a period, before using the washer, turn on all hot water faucets and let the water flow from each for several minutes. This will release any accumulated hydrogen gas. Hydrogen gas is flammable; do not smoke or use an open flame during this time.

 **WARNING** Do not store or use gasoline or other flammable vapors or liquids in the vicinity of this or any other appliance.


 Failure to comply with these warnings could result in fire, explosion, serious bodily injury and/or damage to the rubber or plastic parts of the washer.

Protect Children

 **WARNING** Do not allow children to play on or in the washer. Close supervision of children is necessary when the washer is used near children. As children grow, teach them the proper, safe use of all appliances.


 **WARNING** Destroy the carton, plastic bag and other packing materials after the washer is unpacked. Children might use them for play. Cartons covered with rugs, bedspreads or plastic sheets can become airtight chambers.


 **WARNING** Keep laundry products out of children's reach. To prevent personal injury, observe all warnings on product labels.


 **WARNING** Before the washer is removed from service or discarded, remove the washer door to prevent accidental entrapment.

 Failure to comply with these warnings could result in serious personal injuries.

Prevent Injury

 **WARNING** To prevent shock hazard and assure stability during operation, the washer must be installed and electrically grounded by a qualified service person in accordance with local codes. Installation instructions are packed in the washer for installer's reference. Refer to INSTALLATION INSTRUCTIONS for detailed grounding procedures. If the washer is moved to a new location, have it checked and reinstalled by a qualified service person.

 **WARNING** To prevent personal injury or damage to the washer, the electrical power cord of the washer must be plugged into a properly grounded and polarized 3-prong outlet. **The third grounding prong must never be removed. Never ground the washer to a gas pipe. Do not use an extension cord or an adaptor plug.**


 **WARNING** Follow package directions when using laundry products. Incorrect usage can produce poisonous gas--resulting in serious injury or death.

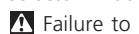
- **Do not** combine laundry products for use in 1 load unless specified on the label.
- **Do not** mix chlorine bleach with ammonia or acids such as vinegar.

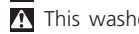
 **WARNING** To prevent serious personal injury and damage to the washer:

- **All repairs and servicing must be performed by an authorized servicer** unless specifically recommended in this Owner's Guide. Use only authorized factory parts.
- **Do not** tamper with controls.
- **Do not** install or store the washer where it will be exposed to the weather.
- **Do not** install on carpet. Install washer on a solid floor. It may be necessary to reinforce the floor to prevent vibration or movement.

 **WARNING** To reduce the risk of electric shock, disconnect this appliance from the power supply before attempting any user maintenance. Turning the controls to the OFF position does not disconnect this appliance from the power supply.

 **WARNING** To prevent injury, do not reach into the washer while parts are moving. Before loading, unloading or adding items, push in the cycle selector knob and allow the drum to coast to a complete stop before reaching inside.

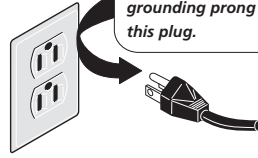
 Failure to comply with these warnings could result in serious personal injuries.

 This washer is equipped with an electrical overload protector. The motor will stop if it becomes overheated. The washer will automatically restart after a cool down period of up to 30 minutes, if the washer has not been manually turned off during this time.

Important Safety Instructions (continued)

⚠ WARNING Avoid fire hazard or electrical shock. Do not use an adaptor plug or extension cord or remove grounding prong from electrical power cord. Failure to follow this warning can cause serious injury, fire or death.

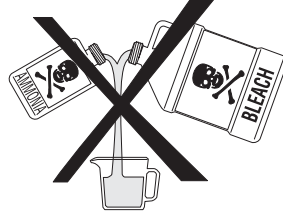
Grounding type wall receptacle



Power supply cord with 3-prong grounding plug

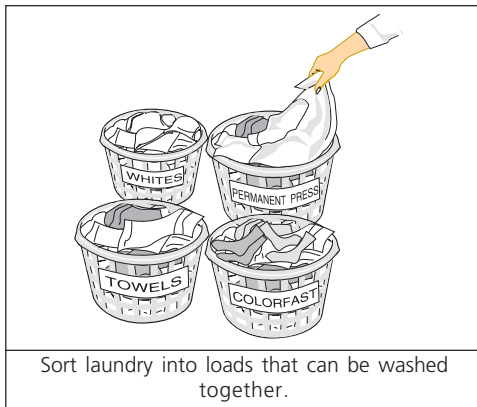
CORRECT
Use this way **ONLY**

⚠ WARNING Do not use or mix liquid chlorine bleach with other household chemicals such as toilet cleaners, rust removers, acid or products containing ammonia. These mixtures can produce dangerous fumes which can cause serious injury or death.

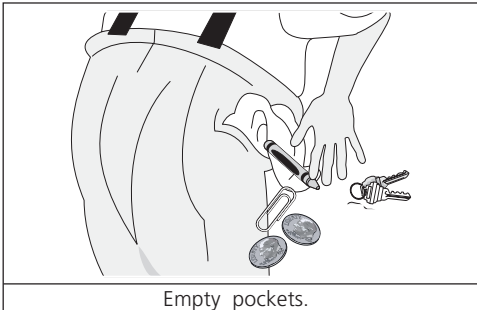


Note: The instructions appearing in this Owner's Guide are not meant to cover every possible condition and situation that may occur. Common sense and caution must be practiced when installing, operating and maintaining any appliance.

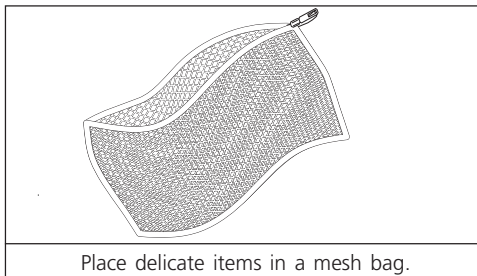
Washing Procedures



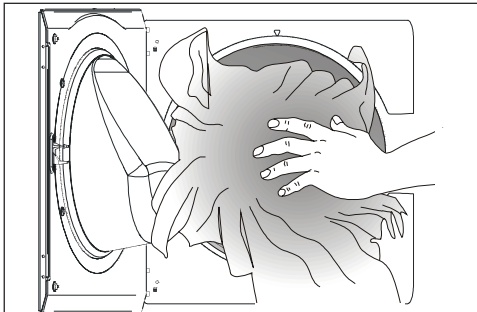
Sort laundry into loads that can be washed together.



Empty pockets.



Place delicate items in a mesh bag.



Add laundry load to washer.

- Follow the guidelines below for preparing the wash load.
- Read the **Operating Instructions** card for operating your specific model.
- **Always read and follow fabric care and laundry product labels.**

⚠ WARNING To reduce the risk of fire, electrical shock, or injury to persons, read **Important Safety Instructions**, page 2, before operating this washer.

1. Sort laundry into loads that can be washed together.

- Sort items by recommended water temperatures and wash time.
- Separate white, light, and colorfast items from dark and noncolorfast items.
 - Separate items which shed lint from items which attract lint. Permanent press, synthetic, knit and corduroy items will pick up lint from towels, rugs and chenille bedspreads.
 - Separate heavily soiled items from lightly soiled items.
 - Separate lacy, sheer and loosely knit items from sturdy items.
 - Do not machine wash items containing fiberglass. Small particles of fiberglass left in the drum may stick to fabrics in other loads and cause skin irritation.

2. Prepare items for washing.

- Empty pockets.
- Brush off lint and dirt. Shake out rugs and beach towels.
- Close zippers, fasten hooks, tie strings and sashes, and remove nonwashable trims and ornaments.
- Remove pins, decorative buttons, belt buckles, and other objects which could be damaged. This also helps protect other items in the wash load.
- Mend rips and tears to prevent further damage during washing.
- Place delicate items such as bras, shoulder pads, hosiery, and belts in a mesh bag to prevent tangling during the wash cycle.
- Turn knit items inside out to prevent pilling.

3. Pretreat stains and heavy soil.

See **Stain Removal**, page 5, for details.

4. Add laundry load to washer.

- Combine large and small items in a load. Load large items first. Large items should not be more than half the total wash load.
- Washing single items such as a sweater, towel or jeans may cause an out-of-balance load. Add 1 or 2 similar items to help balance the load.
- Single heavy items such as a bedspread can be washed separately.
- The washer can be fully loaded, but the items should not be tightly packed. The door should close easily.

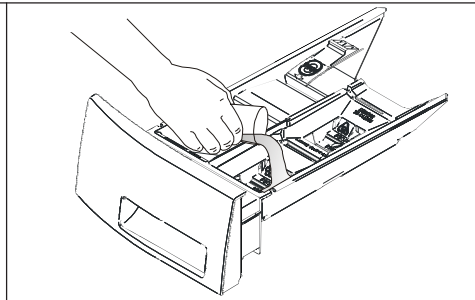
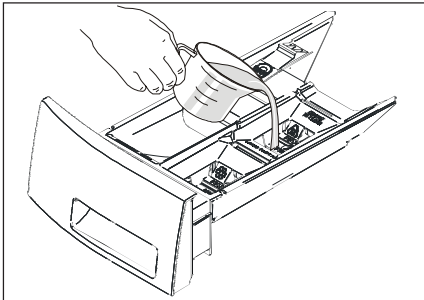
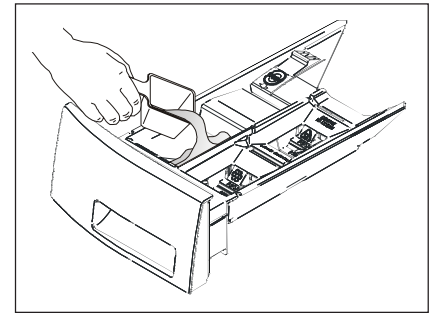
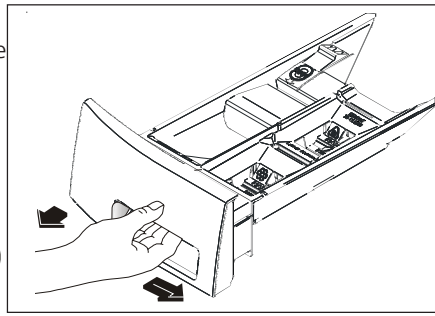
5. Add detergent, bleach and fabric softener to automatic dispenser following these steps:

A. OPENING AND CLOSING THE DISPENSER DRAWER

- Slowly open the dispenser drawer by first sliding the safety latch to the right, then pulling the drawer out until it stops.
- After adding laundry products, slowly close the dispenser drawer. Closing the drawer too quickly could result in early dispensing of the bleach and fabric softener.

B. DETERGENT

- Detergent is flushed from the dispenser at the beginning of the cycle. Either powdered or liquid detergent can be used. **Note:** Liquid detergent will drain into the washer drum as it is added.
- Add a low-sudsing, high-efficiency detergent made for front-loading washers to the dispenser chamber. Look for this symbol on the detergent label. Use the cap or scoop provided by the detergent manufacturer to measure the amount recommended.
- Color-safe bleach, water conditioner, detergent booster and enzyme products may be added to the detergent compartment. Avoid mixing liquids and powders.
- Detergent usage may need to be adjusted for water temperature, water hardness, load size and soil level.
- For best results, avoid oversudsing



C. LIQUID BLEACH

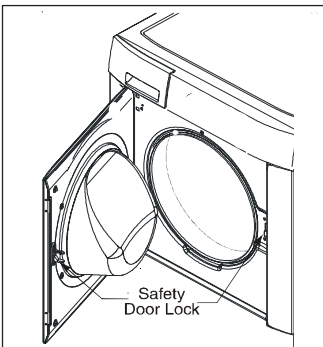
- If desired, measure out the recommended amount of liquid chlorine bleach (not to exceed 1/3 cup (80 mL)) and pour it into the center compartment labeled "Liquid Bleach" and marked with this symbol.
- Fill to the minimum fill line (MIN.) for small loads. Fill to the maximum fill line (MAX.) for large loads. Do not exceed the maximum fill line. Overfilling can cause early dispensing of the bleach which could result in damaged clothes.

- Do not pour undiluted liquid chlorine bleach directly onto the load or into the drum. Fabric damage can occur.
- **Add powder or liquid color-safe bleach to the detergent dispenser.**

D. FABRIC SOFTENER

- If desired, pour the recommended amount of fabric softener into the compartment labeled "Fabric Softener" and marked with this symbol
- Fill to the minimum fill line (MIN.) for small loads. Fill to the maximum fill line (MAX.) for large loads. Do not exceed the maximum fill line. Overfilling can cause early dispensing of the fabric softener which could result in stained clothes.
- **Do not pour fabric softener directly on the wash load.**
- Use of a fabric softener dispensing ball is not recommended in tumble action washers.

6. Select the cycle, temperature, spin speed, options and features according to type, size, and soil level of each load. Start the washer. (See *Operating Instructions* for your specific model.)

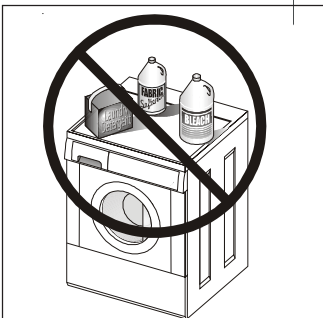


7. Remove items when the cycle is completed.

Place washed items in automatic dryer, line dry, or dry flat as directed by fabric care label. Excess wrinkling, color transfer or odors may develop in items left in the washer after the cycle has ended.

8. General Precautions

- **If the dispenser drawer is opened during operation, the washer will shut off.** Slowly close the dispenser drawer, and press START to continue cycle.
- **Do not slam the washer door closed or try to force the door open when DOOR LOCK light is on.** This could result in damage to the washer.
- **DO NOT leave the washer door open.** An open door could entice children to hang on the door or crawl inside the washer. Note: If there are no small children present, leave the door ajar to prevent odor build up and to improve venting of the unit.
- To avoid damaging the washer and personal injury, DO NOT hang on or lean against the washer door.
- Do not place detergent, bleach or fabric softener containers on top of the washer. They can damage the finish or controls.



Do not store or place laundry products on top of

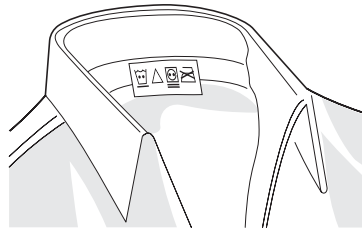
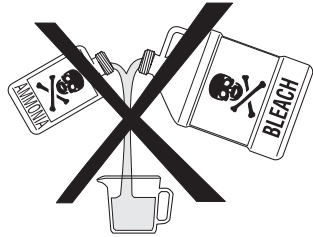
Note: From time to time you may see water in the bleach and fabric softener compartments. This is a result of the siphoning action and is part of the normal operation of the washer.



As an ENERGY STAR[®] Partner, Electrolux Home Products has determined that this product meets the ENERGY STAR[®] guidelines for energy efficiency.

Stain Removal

⚠ WARNING Do not use or mix liquid chlorine bleach with other household chemicals such as toilet cleaners, rust removers, acid or products containing ammonia. These mixtures can produce dangerous fumes which can cause serious injury or death.



Follow fabric care label instructions.

Safe Stain Removal Procedures

⚠ WARNING To reduce the risk of fire or serious injury to persons or property, comply with the basic warnings listed below:

- Read and comply with all instructions on stain removal products.
- Keep stain removal products in their original labeled containers and out of children's reach.
- Thoroughly wash any utensil used.
- Do not combine stain removal products, especially ammonia and chlorine bleach. Dangerous fumes may result.
- Never wash items which have been previously cleaned in, washed in, soaked in or spotted with gasoline, dry cleaning solvents or other flammable or explosive substances because they give off vapors that could ignite or explode.
- Never use highly flammable solvents, such as gasoline, inside the home. Vapors can explode on contact with flames or sparks.

For successful stain removal:

- Remove stains promptly.
- Determine the kind of stain, then follow the recommended treatment in the stain removal chart below.
- To pretreat stains, use a prewash product, liquid detergent, or a paste made from granular detergent and water.
- Use cold water on unknown stains because hot water can set stains.
- Check care label instructions for treatments to avoid on specific fabrics.
- Check for colorfastness by testing stain remover on an inside seam.
- Rinse and wash items after stain removal.

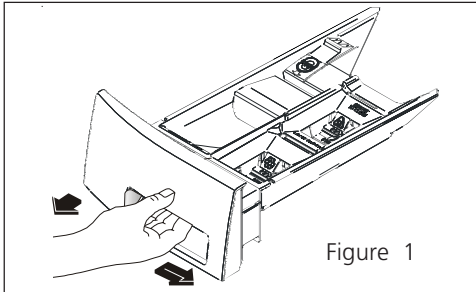
Stain Removal	
STAIN	TREATMENT
Adhesive tape, chewing gum, rubber cement	Apply ice. Scrape off excess. Place stain face down on paper towels. Saturate with prewash stain remover or nonflammable dry cleaning fluid.
Baby formula, dairy products, egg	Use product containing enzymes to pretreat or soak stains. Soak for 30 minutes or more. Wash.
Beverages (coffee, tea, soda, juice, alcoholic beverages)	Pretreat stain. Wash using cold water and bleach safe for fabric.
Blood	Rinse with cold water. Rub with bar soap. Or, pretreat or soak with product containing enzymes. Wash using bleach safe for fabric.
Candle wax, crayon	Scrape off surface wax. Place stain face down between paper towels. Press with warm iron until wax is absorbed. Replace paper towels frequently. Treat remaining stain with prewash stain remover or nonflammable dry cleaning fluid. Hand wash to remove solvent. Wash using bleach safe for fabric.
Chocolate	Pretreat or soak in warm water using product containing enzymes. Wash using bleach safe for fabric.
Collar or cuff soil, cosmetics	Pretreat with prewash stain remover or rub with bar soap.
Dye transfer on white fabric	Use packaged color remover. Wash using bleach safe for fabric.
Grass	Pretreat or soak in warm water using product containing enzymes. Wash using bleach safe for fabric.
Grease, oil, tar (butter, fats, salad dressing, cooking oils, car grease, motor oils)	Scrape residue from fabric. Pretreat. Wash using hottest water safe for fabric. For heavy stains and tar, apply nonflammable dry cleaning fluid to back of stain. Replace towels under stain frequently. Rinse thoroughly. Wash using hottest water safe for fabric.
Ink	Some inks may be impossible to remove. Washing may set some inks. Use prewash stain remover, denatured alcohol or nonflammable dry cleaning fluid.
Mildew, scorch	Wash with chlorine bleach if safe for fabric. Or, soak in oxygen bleach and hot water before washing. Badly mildewed fabrics may be permanently damaged.
Mud	Brush off dry mud. Pretreat or soak with product containing enzymes.
Mustard, tomato	Pretreat with prewash stain remover. Wash using bleach safe for fabric.
Nail polish	May be impossible to remove. Place stain face down on paper towels. Apply nail polish remover to back of stain. Repeat, replacing paper towels frequently. Do not use on acetate fabrics.
Paint, varnish	WATER BASED: Rinse fabric in cool water while stain is wet. Wash. Once paint is dry, it cannot be removed. OIL BASED AND VARNISH: Use solvent recommended on can label. Rinse thoroughly before washing.
Perspiration	Use prewash stain remover or rub with bar soap. Rinse. Wash using nonchlorine bleach in hottest water safe for fabric.
Rust, brown or yellow discoloration	For spots, use rust remover safe for fabric. For discoloration of an entire load, use phosphate detergent and nonchlorine bleach. Do not use chlorine bleach because it may intensify discoloration.
Shoe polish	LIQUID: Pretreat with a paste of granular detergent and water. PASTE: Scrape residue from fabric. Pretreat with prewash stain remover or nonflammable dry cleaning fluid. Rinse. Rub detergent into dampened area. Wash using bleach safe for fabric.
Urine, vomit, mucus, feces	Pretreat or soak in product containing enzymes. Wash using bleach safe for fabric.

Common Washing Problems

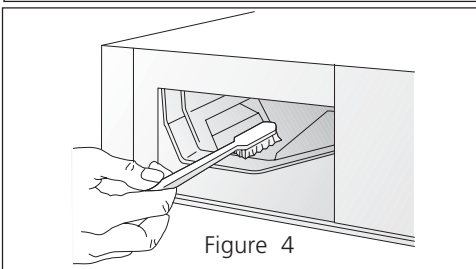
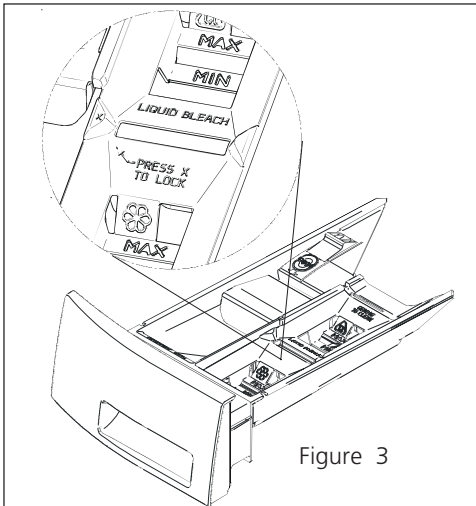
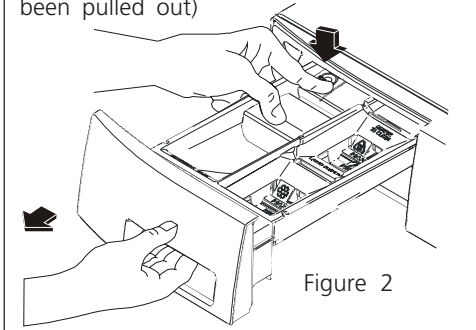
Many washing problems involve poor soil and stain removal, residues of lint and scum, and fabric damage. For satisfactory washing results, follow these suggestions provided by The Soap and Detergent Association.

PROBLEM	POSSIBLE CAUSES	SOLUTIONS	PREVENTIVE MEASURES
Blue stains	<ul style="list-style-type: none"> •Undiluted liquid detergent or fabric softener dispensed directly onto fabric. 	<ul style="list-style-type: none"> •If caused by detergent, mix 1 cup (240 ml) white vinegar with 1 quart (.95 L) water in a plastic container. Soak item 1 hour. Rinse. •If caused by fabric softener, rub stains with bar soap. Wash. 	<ul style="list-style-type: none"> •Avoid overfilling detergent and fabric softener compartments of dispenser.
Discoloration, graying	<ul style="list-style-type: none"> •Not enough detergent. •Wash water temperature too low. •Incorrect sorting. 	<ul style="list-style-type: none"> •Rewash with correct amount of detergent and hottest water safe for fabric. Add bleach safe for fabric. 	<ul style="list-style-type: none"> •Sort items by soil level and color. •Use correct amount of detergent, hottest water and bleach safe for fabric.
Greasy, oily stains	<ul style="list-style-type: none"> •Not enough detergent. •Undiluted liquid fabric softener poured directly on fabric. 	<ul style="list-style-type: none"> •Treat with prewash stain remover or liquid detergent. •Increase detergent and water temperature. Rewash. •Rub fabric softener stains with bar soap. 	<ul style="list-style-type: none"> •Use correct amount of detergent and hottest water safe for fabric. •Do not pour liquid fabric softener directly on fabric. See Washing Procedures for directions on adding softener.
Holes, tears, or snags	<ul style="list-style-type: none"> •Incorrect use of chlorine bleach. •Unfastened zippers, hooks, buckles. •Rips, tears and broken threads. •Overloading the washer. •Degradation of fabric. 	<ul style="list-style-type: none"> •May be irreversible if rips, tears and seams cannot be mended. 	<ul style="list-style-type: none"> •Never pour chlorine bleach directly on fabric. •Check condition of items before washing. See Washing Procedures for preparing and loading the wash load and adding chlorine bleach.
Lint	<ul style="list-style-type: none"> •Incorrect sorting. •Tissues left in pocket. •Overloading the washer. •Not enough detergent. •Undissolved detergent has left a residue resembling lint. •Static cling is attracting lint. •Load washed too long. 	<ul style="list-style-type: none"> •Reduce load size. Rewash using correct water temperature, water level, and amount of detergent. •Add nonprecipitating water conditioner to wash water to remove detergent residue. •Add liquid fabric softener to final rinse. •Dry load in dryer. •Remove lint with lint brush or roller. 	<ul style="list-style-type: none"> •See Washing Procedures for sorting and preparing the wash load. •Do not overload washer. •Use correct temperature and amount of detergent, water and wash time.
Pilling (Fibers break off, ball up and cling to fabric.)	<ul style="list-style-type: none"> •Pilling is normal with synthetic and permanent press fabrics. This is due to abrasion from normal wear. 	<ul style="list-style-type: none"> • Use a lint brush or shaver to remove pills. 	<ul style="list-style-type: none"> •Use fabric softener in the washer to lubricate fibers. •When ironing, use spray starch or fabric finish on collars and cuffs. •Turn items inside out to reduce abrasion.
Residue or powder on dark items; Stiff, harsh fabrics.	<ul style="list-style-type: none"> •Undissolved detergent. • Some nonphosphate granular detergents can combine with hard water minerals to form a residue. •Overloading the washer. 	<ul style="list-style-type: none"> • Rewash load. 	<ul style="list-style-type: none"> •Increase water temperature using hottest water safe for fabric. •Do not overload washer. •Use liquid detergent or use nonprecipitating water conditioner with nonphosphate granular detergent.
Wrinkling	<ul style="list-style-type: none"> •Overloading the washer. •Incorrect wash cycle for wash load. 	<ul style="list-style-type: none"> •Reduce load size. •Rinse in cold water with liquid fabric softener using the Perm Press or Delicate cycle. 	<ul style="list-style-type: none"> •Do not overload washer. •Remove items from washer as soon as cycle is completed. •Use liquid fabric softener.
Yellow buildup of body soil on synthetic fabrics	<ul style="list-style-type: none"> •Agitation time too short. •Wash water temperature too low. •Not enough detergent. 	<ul style="list-style-type: none"> •Soak in detergent booster or product containing enzymes. •Wash in hot water (120°F/49°C) using full permanent press cycle. Increase detergent. •Add bleach safe for fabric. •Or, treat with color remover. 	<ul style="list-style-type: none"> •Select correct wash cycle. •Use correct amount of detergent. •Wash synthetics frequently using hot or warm water.
Yellow or brown rust stains	<ul style="list-style-type: none"> •Iron or manganese in water supply, water pipes, or water heater. 	<ul style="list-style-type: none"> •To restore discolored load of whites, use rust remover safe for fabric. •Do not use chlorine bleach to remove rust stains. It may intensify discoloration. 	<ul style="list-style-type: none"> •Use nonprecipitating water softener. •Before washing, run hot water for a few minutes to clear lines. •Drain water heater occasionally. •For an ongoing problem, install an iron filter in your water supply system.

Care and Cleaning



(Lock tab is visible only after drawer has been pulled out)



Follow Winterizing Instructions for cold weather care.

Outside

- When washing is completed, wipe top and sides of washer with a damp cloth. Turn water faucets off to prevent pressure build-up in the hoses.
- As needed, clean the cabinet with mild soap and water. **Never use harsh, gritty or abrasive cleansers.** If door or console becomes stained, clean with diluted chlorine bleach [1/2 cup (120 ml) in 1 quart (.95 L) water]. Rinse several times with clear water.
- Remove glue residue from tape or labels with a mixture of warm water and mild detergent. Or, touch residue with the sticky side of the tape or label.
- **Before moving the washer,** place a strip of cardboard or thin fiberboard under the front leveling legs to prevent floor damage.

Cleaning the Dispenser Drawer Area

Detergent and fabric softener may build up in the dispenser drawer. Residue should be removed once or twice a month.

- Remove the drawer by first sliding the safety latch to the right, then pulling the drawer out until it stops. (Figure 1)
- Reach back into the left rear corner of the drawer cavity and press down firmly on the lock tab (left rear portion of the drawer). Pull out the drawer. (Figure 2)
- Remove the insert from the bleach and fabric softener compartments. (Figure 3)
- Rinse the drawer and inserts with hot tap water to remove traces of accumulated powders and liquids. Large amounts of fabric softener residue may indicate improper dilution or more frequent cleaning is required.
- To clean the drawer opening, use a small brush to clean the recess. Remove all residue from the upper and lower parts of the recess. (Figure 4)
- Replace the insert pressing the "X" to lock it in place. Return the dispenser drawer.

Inside

- Remove items from the washer as soon as the cycle ends. Excess wrinkling, color transfer, and odors may develop in items left in the washer.
- Before cleaning the washer interior, **unplug the electrical power cord** to avoid electrical shock hazards.
- Dry around the washer door opening, flexible gasket, and door glass. These areas should always be clean to ensure a water tight seal.
- When extremely soiled items have been washed, a dirty residue may remain on the drum. Remove this by wiping the drum with a nonabrasive household cleanser. Rinse thoroughly with water.
- Periodically, wipe dry the folds in the bottom of the flexible gasket to remove lint and other debris.
- The plastic drum vanes may become stained from fabric dye. Clean these parts with a nonabrasive household cleanser. This prevents dye transfer to future loads.

Winterizing Instructions

If the washer is stored in an area where freezing can occur or moved in freezing temperatures, follow these winterizing instructions to prevent damage to the washer:

1. Turn off water supply faucets.
2. Disconnect hoses from water supply and drain water from hoses.
3. Plug electrical cord into a properly grounded electrical outlet.
4. Add 1 gallon (3.8 L) nontoxic recreational vehicle (RV) antifreeze to empty wash drum. Close door.
5. Select the Drain/Spin cycle. Press START and let the washer drain for 1 minute to drain out all the water. Not all of the RV antifreeze will be expelled.
6. Press Pause/Cancel twice, unplug electrical power cord, dry off drum interior and close door.
7. Remove dispenser drawer. Drain any water in compartments and dry compartments. Replace drawer.
8. Store washer in an upright position.
9. To remove antifreeze from washer after storage, run empty washer through a complete cycle using detergent. **Do not add wash load.**

Avoid Service Checklist

Before calling for service, review this list. It may save both time and expense. The list includes common concerns that are not the result of defective workmanship or materials in this washer.

OCCURRENCE

POSSIBLE CAUSE / SOLUTION

NOISE

High pitch "jet engine" noise.	<ul style="list-style-type: none">• A certain amount of motor whine is normal during the spin cycle.
Rattling and clanking noise.	<ul style="list-style-type: none">• Foreign objects such as coins or safety pins may be in drum or pump. Stop washer and check drum. If noise continues after washer is restarted, objects may be in pump. Call your authorized servicer.• Belt buckles and metal fasteners are hitting wash drum. To prevent unnecessary noise and damage to drum, fasten fasteners and turn items inside out.
Squealing sound or hot rubber odor.	<ul style="list-style-type: none">• Washer is overloaded. Do not overload washer. Stop washer and reduce load.
Thumping sound.	<ul style="list-style-type: none">• Heavy wash loads may produce a thumping sound. This is usually normal. If sound continues, washer is probably out of balance. Stop washer and redistribute wash load.
Vibrating noise.	<ul style="list-style-type: none">• Washer is not resting firmly on floor. Move washer so it rests firmly on floor. Adjust leveling legs and tighten lock nuts. See INSTALLATION INSTRUCTIONS for details.• Shipping bolts and foam block have not been removed during installation. See INSTALLATION INSTRUCTIONS for removing shipping bolts and foam block.• Wash load unevenly distributed in drum. Stop washer and rearrange wash load.

OPERATING

Washer does not start.	<ul style="list-style-type: none">• Electrical power cord may not be plugged in or connection may be loose. Make sure plug fits tightly in wall outlet.• House fuse blown, circuit breaker tripped, or a power outage has occurred. Reset circuit breaker or replace fuse. Do not increase fuse capacity. If problem is a circuit overload, have it corrected by a qualified electrician. If problem is a power outage, call local electric company.• Water supply faucets are not turned on. Turn on water supply faucets.• Motor is overheated. Washer motor will stop if it becomes overheated. It will automatically restart after a cool down period of up to 30 minutes (if washer has not been manually turned off).• Dispenser drawer is open. Close drawer.• Washer door is not completely closed. Close door completely.
Washer won't spin.	<ul style="list-style-type: none">• Load is too small. Add 1 or 2 similar items to help balance the load.• Dispenser drawer is open. Close drawer.
Residue left in drum.	<ul style="list-style-type: none">• Heavily soiled items. Wipe drum with a nonabrasive household cleanser, then rinse. Shake or brush excess dirt and sand from items before washing

WATER

Water collects in folds of the bellows at the end of the cycle.	<ul style="list-style-type: none">• This is a result of the washing action and is part of the normal operation of the washer.
Water collects in bleach and fabric softener compartments.	<ul style="list-style-type: none">• This is a result of the siphoning action and is part of the normal operation of the washer. Water may be removed by removing the dispenser drawer (see Page 7, Figures 1 and 2) and draining water into the empty drum or sink.
Wash load too wet after spin.	<ul style="list-style-type: none">• Washer is overloaded. Do not overload washer. See Washing Procedures.• Load is too small. Add 1 or 2 similar items to help balance the load.• Load is out of balance. Rearrange load to allow proper spinning.• Drain hose is kinked. Straighten drain hose.
Water does not enter washer or it enters slowly.	<ul style="list-style-type: none">• Water supply is not adequate in area. Check another faucet in the house. Wait until water supply and pressure increase.• Water supply faucets are not completely open. Fully open hot and cold faucets.• Water is being used elsewhere in the house. Water pressure must be at least 30 psi (260 kPa). Avoid running water elsewhere while washer is filling.• Water inlet hoses are kinked. Straighten hoses.
Warm or hot water is not hot enough.	<ul style="list-style-type: none">• Hot water heater is set too low or is a distance from washer. Measure hot water temperature at nearby faucet with candy or meat thermometer. Water temperature should be at least 120°F (49°C). Adjust water heater as necessary.• Hot water is being used elsewhere in the house. Avoid using hot water elsewhere before or during washer use. There may not be enough hot water available for proper cleaning. If problem persists, your hot water system may be unable to support more than 1 use at a time.
Water in washer does not drain or drains slowly.	<ul style="list-style-type: none">• Drain hose is kinked or clogged. Clean and straighten the drain hose.• Maximum standpipe height is 8' (2.4 m).• House drain pipes are clogged. Unclog drain pipes. Contact plumber if necessary.
Water leaks.	<ul style="list-style-type: none">• Fill hose connection is loose at faucet or washer. Check and tighten hose connections. Install rubber sealing washers provided.
Oversudsing.	<ul style="list-style-type: none">• Wrong detergent. Run rinse cycle. Use a low-sudsing, high efficiency detergent.• Too much detergent. Run rinse cycle. Use less detergent in future loads
Incorrect wash and rinse temperatures.	<ul style="list-style-type: none">• Hot and cold water hoses are connected to wrong supply faucets. Connect hot water hose to hot water faucet and cold water hose to cold water faucet.
Water is entering washer but tub does not fill.	<ul style="list-style-type: none">• Drain hose standpipe is incorrect height. Standpipe must be a minimum of 23.6" (60 cm) high to prevent siphoning. See INSTALLATION INSTRUCTIONS.

CONSUMER WARRANTY

(for customers in Canada)

Your appliance is warranted to be free of defects in material and workmanship.

What is covered	How Long Warranted (From Date of Sale)	Parts Repair or Replace at Camco's Option	Labour
All parts	One (1) year	One (1) year	One (1) year
Suspension strut assembly, motor	Five (5) years	Five (5) years	One (1) year
Outer tub	Ten (10) years	Ten (10) years	One (1) year

TERMS AND CONDITIONS:

This warranty applies only for single family domestic use in Canada when the appliance has been properly installed according to the instructions supplied by Camco and is connected to an adequate and proper utility service.

Damage due to abuse, accident, commercial use, and alteration or defacing of the serial plate cancels all obligations of this warranty.

Service during this warranty must be performed by an Authorized Camco Service Agent.

Neither Camco nor the Dealer is liable for any claims or damages resulting from any failure of the Refrigerator or from service delays beyond their reasonable control.

To obtain warranty service, purchaser must present the original bill of sale. Components repaired or replaced are warranted through the remainder of the original warranty period only.

This warranty is extended to the original purchaser and any succeeding owner for products purchased for home use within Canada. In home warranty service will be provided in areas where it is available and deemed reasonable by Camco to provide.

This warranty is in addition to any statutory warranty.

IMPORTANT

Keep this warranty and your bill of sale as proof of original purchase and purchase date.

WHAT IS NOT COVERED:

- Service trips to your home to teach you how to use the product.
- Damage to finish after delivery.
- Improper installation—proper installation includes adequate air circulation to refrigeration systems, adequate electrical, plumbing and other connecting facilities.
- Replacement of house fuses or resetting of circuit breakers.
- Replacement of light bulbs.
- Damage to product caused by accident, fire, floods or acts of God.
- Loss of food due to spoilage.
- Proper use and care of product as listed in the owner's manual, proper setting of controls.
- WARRANTOR IS NOT RESPONSIBLE FOR CONSEQUENTIAL DAMAGES.

Camco Service is available coast to coast.
To schedule service, call 1.800.361.3400

If further help is needed concerning this warranty, contact:
Manager, Consumer Relations, Camco Inc.,
Suite 310, 1 Factory Lane, Moncton, N.B. E1C 9M3

Staple your receipt here.
Proof of the original purchase
date is needed to obtain service
under the warranty.

Consumer Support.



GE Appliances Website

GEAppliances.ca

Have a question or need assistance with your appliance? Try the GE Appliances Website 24 hours a day, any day of the year! For greater convenience and faster service, you can now download Owner's Manuals, order parts, catalogs, or even schedule service on-line. You can also "Ask Our Team of Experts™" your questions, and so much more...



Schedule Service

1.800.361.3400 or GEAppliances.ca

Expert GE repair service is only one step away from your door. Get on-line and schedule your service at your convenience 24 hours any day of the year! Call 1.800.361.3400 during normal business hours.



Real Life Design Studio

GE supports the Universal Design concept—products, services and environments that can be used by people of all ages, sizes and capabilities. We recognize the need to design for a wide range of physical and mental abilities and impairments. For details of GE's Universal Design applications, including kitchen design ideas for people with disabilities, check out our Website today.

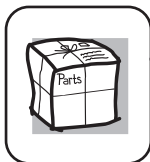
In Canada, contact: Manager, Consumer Relations, Camco, Inc.
Suite 310, 1 Factory Lane
Moncton, N.B. E1C 9M3



Extended Warranties

1.888.261.2133 or GEAppliances.ca

Purchase a GE extended warranty and learn about special discounts that are available while your warranty is still in effect. You can purchase it on-line anytime, or call 1.888.261.2133 during normal business hours. GE Consumer Home Services will still be there after your warranty expires.



Parts and Accessories

1.800.661.1616 or GEAppliances.ca

Individuals qualified to service their own appliances can have parts or accessories sent directly to their homes (VISA, MasterCard and Discover cards are accepted). Order on-line today, 24 hours every day or by phone at 1.800.661.1616 during normal business hours.

Instructions contained in this manual cover procedures to be performed by any user. Other servicing generally should be referred to qualified service personnel. Caution must be exercised, since improper servicing may cause unsafe operation.



Contact Us

GEAppliances.ca

If you are not satisfied with the service you receive from GE, contact us on our Website with all the details including your phone number, or write to:

Director, Consumer Relations, Camco, Inc.
Suite 310, 1 Factory Lane
Moncton, N.B. E1C 9M3



Register Your Appliance

GEAppliances.ca

Register your new appliance on-line—at your convenience! Timely product registration will allow for enhanced communication and prompt service under the terms of your warranty, should the need arise. You may also mail in the pre-printed registration card included in the packing material.

Le présent Guide de l'utilisateur décrit le mode d'emploi général de la laveuse. Il contient également des renseignements sur les caractéristiques de divers autres modèles. Les caractéristiques décrites ici peuvent s'appliquer à différentes laveuses. Utiliser la laveuse conformément au Guide de l'utilisateur et à la **Notice de fonctionnement** qui accompagnent la laveuse.

Piédestal

Un accessoire de piédestal, **Numéro de Modèle NLPWD15**, a spécifiquement conçu pour cette laveuse peut être utilisé en élevant la laveuse pour la facilité d'utilisation. Le manque d'utiliser des accessoires certifiés par le fabricant a pu avoir comme conséquence des blessures, des dommages matériels ou des dommages à la laveuse.

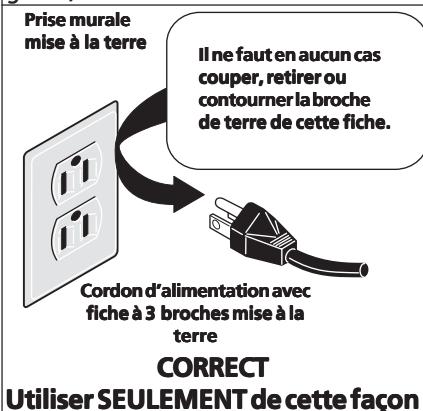
DVD d'information

Une DVD d'information (en anglais) accompagne la laveuse. Cette vidéocassette souligne les caractéristiques propres à cette machine à laver par culbutage et elle aide l'acheteur à utiliser correctement la laveuse. Cette DVD se révélera d'une aide précieuse surtout si votre dernière machine à laver était à chargement par le haut.

POUR VOTRE SÉCURITÉ

Ne pas entreposer ni utiliser de l'essence ni tout autre vapeur ou liquide inflammable à proximité de cet appareil ou de tout autre appareil électroménager.

AVERTISSEMENT Pour prévenir les risques d'incendie ou d'électrocution, ne pas utiliser de fiche adaptatrice ni de cordon de rallonge et ne pas retirer la prise de terre du cordon d'alimentation électrique. Toute dérogation à cette consigne pourrait entraîner des blessures graves, un incendie ou la mort.



AVERTISSEMENT Ne pas utiliser ni mélanger de javellisant liquide chloré avec d'autres produits chimiques d'usage domestique comme les nettoyeurs pour cuvettes, les produits dégraissants, acides ou contenant de l'ammoniaque. Ces mélanges peuvent dégager des vapeurs dangereuses capables de causer des blessures graves ou la mort.



Remarque : Les directives qui figurent dans le Guide de l'utilisateur ne peuvent couvrir toutes les circonstances et les situations possibles. Il faut donc faire preuve de jugement et de prudence pendant l'installation, l'utilisation et l'entretien de tout appareil électro ménager.

Consignes de sécurité importantes

CONSERVER CE MODE D'EMPLOI

Lire toutes les directives avant d'utiliser la laveuse.

AVERTISSEMENT Pour réduire les risques d'incendie, d'électrocution ou de blessures pendant l'utilisation de la laveuse, respecter toutes les mises en garde fondamentales qui suivent.

AVERTISSEMENT Toute dérogation à ces mises en garde pourrait entraîner des blessures graves.

Prévention des incendies

AVERTISSEMENT Ne pas laver dans cet appareil des articles qui ont été au préalable lavés ou trempés dans de l'essence, du solvant nettoyant, du kérosène, de l'huile à cuisson, de la cire, etc., ni des articles qui sont souillés de ces produits. Ne pas entreposer de tels articles sur la laveuse ni à proximité de celle-ci. Les produits décrits ci-dessus dégagent des vapeurs ou réactions chimiques qui peuvent s'enflammer ou exploser.

AVERTISSEMENT Ne pas déposer des chiffons ou des vêtements imbibés d'huile ou de graisse sur le dessus de la laveuse. Ces substances dégagent des vapeurs qui peuvent enflammer les tissus.

AVERTISSEMENT Ne pas ajouter d'essence, de solvant nettoyant ni toute autre substance inflammable ou explosive à l'eau de lavage. Ces substances dégagent des vapeurs qui peuvent s'enflammer ou exploser.

AVERTISSEMENT Dans certaines circonstances, de l'hydrogène peut s'accumuler dans les canalisations d'eau chaude qui demeurent inutilisées pendant deux semaines ou plus. **L'HYDROGÈNE EST UN GAZ EXPLOSIF.** Si la canalisation d'eau chaude n'a pas été utilisée depuis au moins deux semaines, ouvrir tous les robinets d'eau chaude et laisser couler l'eau pendant plusieurs minutes avant d'utiliser la laveuse. De cette façon, toute trace d'hydrogène sera purgée de la canalisation. L'hydrogène est un gaz explosif; ne pas fumer ni utiliser de flamme vive pendant la purge de la canalisation.

AVERTISSEMENT Toute dérogation à ces mises en garde pourrait entraîner un incendie, une explosion, des blessures graves ou des dommages aux pièces en caoutchouc ou en plastique de la laveuse.

Protection des enfants

AVERTISSEMENT Ne pas permettre aux enfants de jouer sur la laveuse ni à l'intérieur de celle-ci. Lorsque la laveuse est utilisée à proximité d'enfants, il est recommandé de les surveiller attentivement. Dès que les enfants sont assez grands, leur enseigner l'utilisation correcte et sécuritaire de tous les appareils électroménagers.

AVERTISSEMENT Détruire la boîte, le sac en plastique et les autres matériaux d'emballage qui enveloppent la laveuse. Les enfants risqueraient de s'en servir comme jouet. Les cartons recouverts d'un tapis, d'un couvre-lit ou d'une feuille de plastique peuvent former une chambre étanche.

AVERTISSEMENT Garder les produits à lessive hors de portée des enfants. Pour prévenir les blessures, respecter toutes les consignes de sécurité qui figurent sur l'étiquette de ces produits.

AVERTISSEMENT Avant de mettre la laveuse hors d'usage ou de la jeter, retirer la porte pour éviter que quelqu'un ne s'emprisonne accidentellement dans l'appareil.

AVERTISSEMENT Toute dérogation à ces mises en garde pourrait entraîner des blessures graves.

Prévention des blessures

AVERTISSEMENT Pour prévenir les risques d'électrocution et assurer la stabilité de l'appareil pendant le fonctionnement, la laveuse doit être installée et mise à la terre par un technicien qualifié conformément aux codes locaux. La Notice d'installation accompagne la laveuse, mais elle est destinée à l'installateur. Se reporter à la NOTICE D'INSTALLATION pour obtenir la marche à suivre pour la mise à la terre. Si la laveuse doit être déplacée, la faire vérifier et réinstaller par un technicien qualifié.

AVERTISSEMENT Pour prévenir les blessures et éviter d'endommager la laveuse, le cordon d'alimentation électrique de la laveuse doit être branché dans une prise à 3 trous correctement mise à la terre et polarisée. **La troisième broche de mise à la terre ne doit en aucun cas être retirée. Ne jamais relier la laveuse à un tuyau de gaz pour la mettre à la terre. Ne pas utiliser de cordon de rallonge ni de fiche adaptatrice.**

AVERTISSEMENT Suivre le mode d'emploi de chaque produit à lessive utilisé. Une utilisation incorrecte pourrait produire des gaz toxiques et causer des blessures graves ou la mort.

- Ne pas utiliser plus d'un seul produit à lessive par brassée, à moins d'indications contraires sur l'emballage.
- Ne pas mélanger d'eau de javel avec de l'ammoniaque ou des produits acides comme le vinaigre.

AVERTISSEMENT Pour prévenir les blessures graves et ne pas endommager la laveuse :

- Les réparations et l'entretien doivent être effectués uniquement par un agent de service autorisé à moins d'indications spécifiques à l'effet contraire dans le présent Guide de l'utilisateur. N'utiliser que des pièces recommandées par le fabricant.
- Ne pas modifier les commandes.
- Ne pas installer ni entreposer la laveuse dans un endroit où elle serait exposée aux conditions atmosphériques.
- N'installez pas la machine à laver sur un tapis. Installez la sur un plancher solide. Il s'avérera peut-être nécessaire de solidifier le plancher pour empêcher les vibrations et le déplacement de la machine.

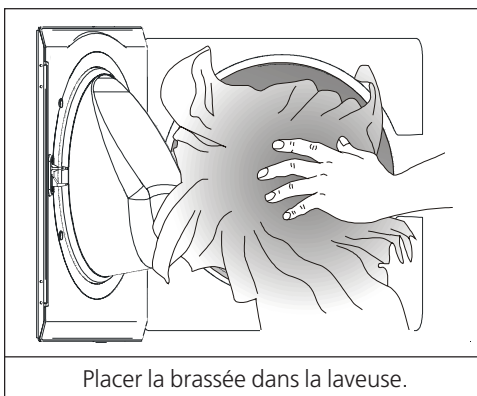
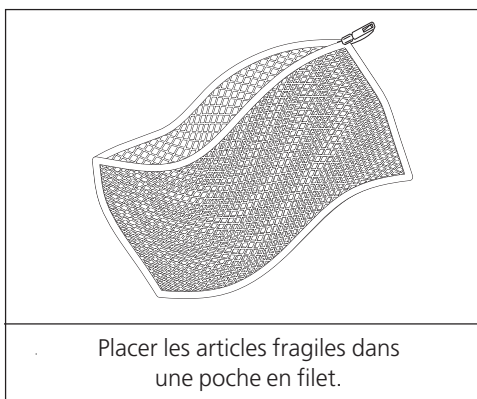
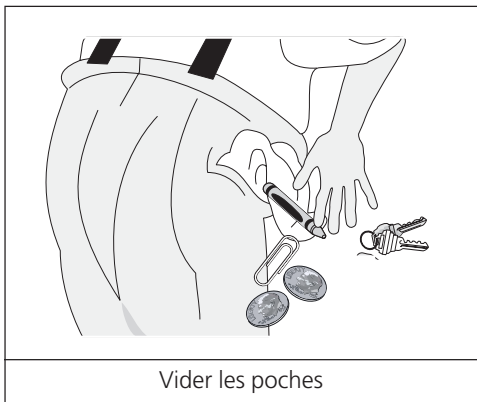
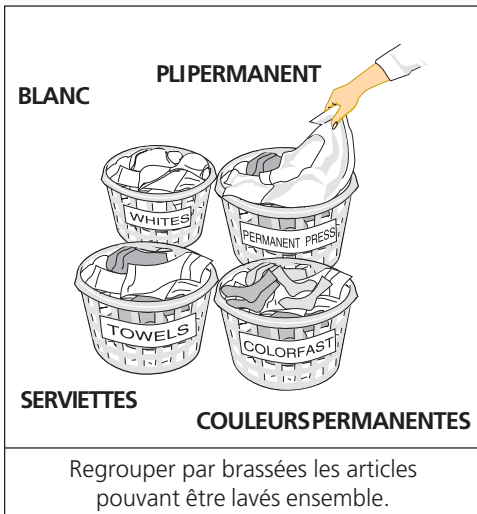
AVERTISSEMENT Pour réduire les risques d'électrocution, débrancher l'appareil de sa source d'alimentation avant d'effectuer toute mesure d'entretien. Même si les commandes sont en position fermée (OFF), l'appareil demeure relié à sa source d'alimentation.

AVERTISSEMENT Pour prévenir les blessures, ne pas insérer la main dans la laveuse tant que les pièces mobiles sont en mouvement. Avant de charger ou de décharger une brassée ou d'ajouter des articles, enfoncer le sélecteur de cycle et attendre que le tambour s'arrête complètement avant d'insérer la main dans la laveuse.

AVERTISSEMENT Toute dérogation à ces mises en garde pourrait entraîner des blessures graves.

AVERTISSEMENT Cette laveuse est pourvue d'un disjoncteur thermique. Le moteur s'éteint de lui-même lorsqu'il surchauffe. La laveuse redémarre d'elle-même après une période de refroidissement pouvant atteindre 30 minutes à condition qu'elle n'ait pas été arrêtée manuellement.

Instructions de lavage



- Respecter les directives qui suivent pour préparer la brassée.
- Lire la **Notice de fonctionnement** pour connaître le fonctionnement de votre modèle.
- **Toujours lire et suivre l'étiquette d'entretien de chaque article ainsi que l'étiquette du produit à lessive.**

⚠ AVERTISSEMENT Pour réduire les risques d'incendie, d'électrocution et de blessures, lire les **Consignes de sécurité importantes** aux pages 11 avant d'utiliser la laveuse.

1. Regrouper par brassées les articles pouvant être lavés ensemble.

Séparer les articles suivant la température et la durée de lavage recommandées pour chacun.

- Séparer les articles blancs, de couleur pâle ou de couleur permanente des articles foncés ou de couleur non permanente.
- Séparer les articles qui produisent de la charpie des articles qui l'attirent. Le tissu à pli permanent, la fibre synthétique, le tricot et le velours côtelé attirent la charpie, les serviettes, les tapis et les couvre-lits en chenille en produisent.
- Séparer les articles très sales des articles moins sales.
- Séparer les articles bordés de dentelle ou extrêmement fins et les tricots lâches des articles résistants.
- Ne lavez pas à la machine les articles contenant de la fibre de verre. Des particules de fibre de verre demeurant dans la cuve peuvent adhérer aux tissus des autres brassées de linge, risquant ainsi de causer des éruptions cutanées.

2. Préparer les articles pour le lavage.

- Vider les poches.
- Enlever la charpie et la saleté en surface à l'aide d'une brosse. Secouer les tapis et les serviettes de plage.
- Fermer les fermetures éclair, attacher les agrafes, les cordons et les ceintures en tissu et retirer les garnitures et les ornements non lavables à la machine.
- Retirer les épingles, les boutons décoratifs, les boucles de ceintures et tout autre objet pouvant être endommagé pendant le lavage. Cette mesure protège également les autres articles de la brassée.
- Repriser les accrocs et les déchirures pour prévenir tout dommage additionnel pendant le lavage.
- Placer les articles fragiles comme les soutiens-gorge, les épaulettes, les basculottes et les ceintures dans une poche en filet pour éviter que ces articles ne s'emmêlent pendant le lavage.
- Tourner les tricots à l'envers pour éviter le moutonnement.

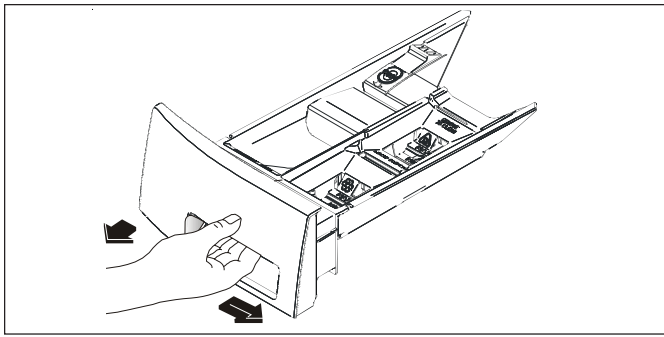
3. Prétraiter les taches et la saleté tenace.

Consulter la section **Détachage** aux pages 14 et 15 pour la marche à suivre à cet égard.

4. Placer la brassée dans la laveuse.

- Jumeler les gros et les petits articles dans chaque brassée. Placer d'abord les gros articles dans la laveuse. Les gros articles ne devraient pas représenter plus de la moitié de la brassée totale.
- Le lavage d'un seul morceau de linge, comme un chandail, une serviette, un pantalon en denim, risque de causer un déséquilibre de la charge. Ajoutez un ou 2 articles du même genre afin de bien équilibrer la charge.
- Un simple article lourd, tel un couvre-lit, peut être lavé seul.
- Il est possible de charger complètement la machine à laver, mais le linge ne doit pas être trop tassé. La porte doit pouvoir se fermer facilement.

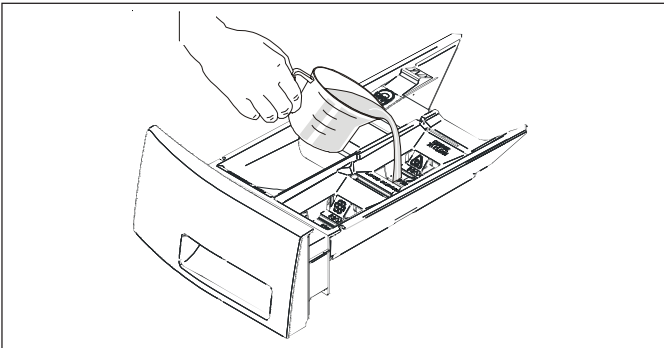
5. Verser le détergent, le javellisant et l'assouplisseur de tissu dans le distributeur automatique en respectant les étapes suivantes :




A. OUVERTURE ET FERMETURE DU TIROIR-DISTRIBUTEUR

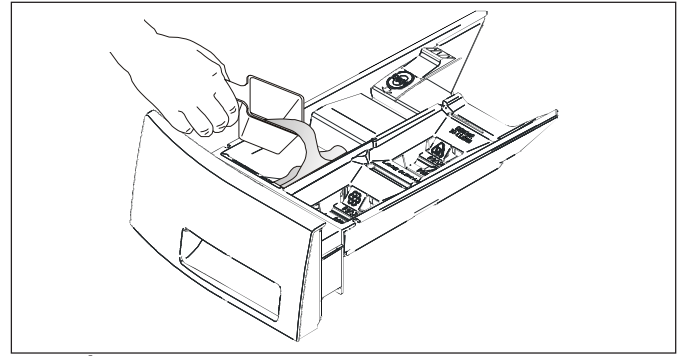
- Ouvrir lentement le tiroir-distributeur en faisant glisser le loquet de sûreté vers la droite puis en tirant le tiroir jusqu'à ce qu'il s'immobilise.
- Après avoir versé les produits à lessive, refermer lentement le tiroir-distributeur. Si le tiroir est refermé trop rapidement, le javellisant et l'assouplisseur de tissu risqueraient d'être versés prématurément sur la brassée.

Remarque : De temps à autre, on peut retrouver de l'eau dans les compartiments prévus pour le javellisant et l'assouplisseur de tissu. Cette accumulation est causée par l'action siphonnante de la laveuse et elle est tout à fait normale.



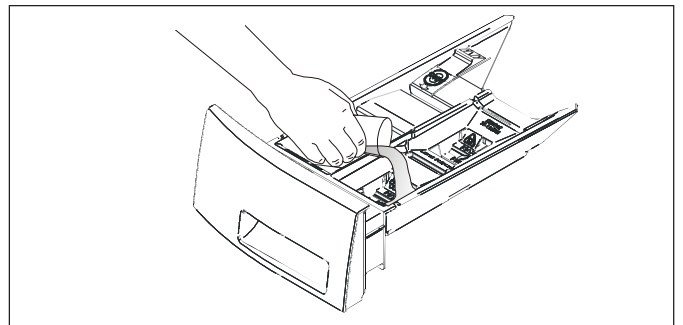
C. JAVELLISANT LIQUIDE

- Au besoin, mesurer la quantité recommandée de javellisant liquide (pas plus de 80 mL (1/3 tasse)) et verser le tout dans le compartiment central du tiroir portant la mention «Liquid Bleach» et le symbole .
- Ne pas dépasser la ligne de niveau maximum sans quoi le javellisant pourrait être versé prématurément sur les vêtements et les endommager.
- Ne versez jamais d'agent de blanchiment chloré non dilué sur la brassée de linge ou directement dans la cuve. Vous risquez d'endommager les vêtements.
- **Ajoutez l'agent de javellisant sûr de couleur de poudre ou de liquide au distributeur détergent.**




B. DÉTERGENT

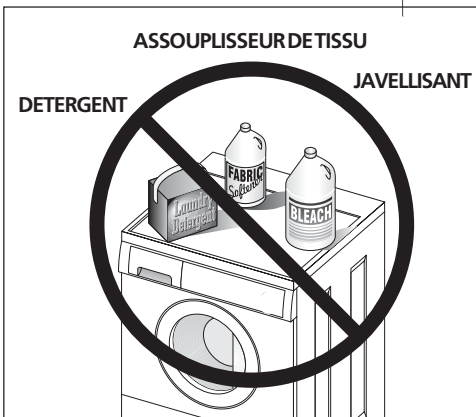
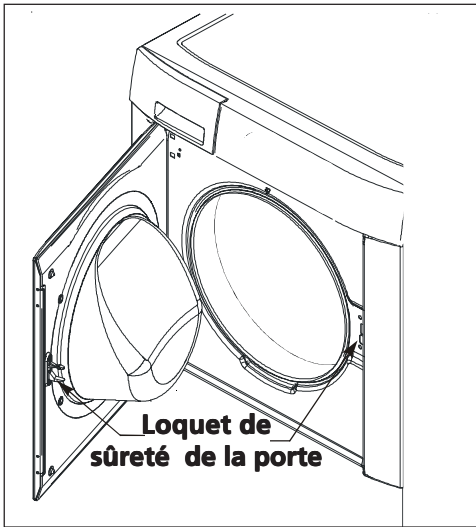
- Le détergent est versé sur la brassée au début du cycle. On peut utiliser un détergent en poudre ou liquide.
Remarque: Le détergent liquide s'écoule dans le tambour de la laveuse à mesure qu'il est versé dans le compartiment.
- Ajoutez un bas savonneux, à haute efficacité détergent fait pour des laveuses à chargement frontal à cette chambre de distributeur. Recherchez ce symbole  sur l'étiquette détergent. Utilisez le chapeau  ou le godet fourni par le fabricant détergent pour mesurer la quantité recommandée.
- L'agent de javellisant couleur-sûr, conditionneur de l'eau, renforceur détergent et des produits d'enzymes peuvent être ajoutés au compartiment détergent. Évitez de mélanger des liquides et des poudres.
- La quantité de détergent utilisée peut varier selon la température et la dureté de l'eau, la grosseur de la brassée et le degré de saleté des articles à laver.
- Pour de meilleurs résultats, évitez d'utiliser trop de détergent.



D. ASSOUPLISEUR DE TISSU

- Au besoin, verser la quantité recommandée d'assouplisseur de tissu dans le compartiment du tiroir portant la mention «Fabric Softener» et le symbole .
- Ne pas dépasser la ligne de niveau maximum sans quoi l'assouplisseur de tissu pourrait être versé prématurément sur les vêtements et les tâcher.
- **Ne pas verser l'assouplisseur de tissu directement sur la brassée.**
- L'utilisation d'un assouplisseur de tissu solide n'est pas recommandée dans une machine à laver à chargement frontal.

Instructions de lavage (suite)



Ne pas entreposer ni poser de produits à lessive sur le dessus de la laveuse à quelque moment que ce soit. Ces produits peuvent endommager le revêtement et les commandes de la laveuse.

6. Choisissez le cycle, la température et la vitesse, les options et les dispositifs selon le type, la grosseur et le niveau de sol de chaque charge. Démarrer la laveuse.

(Se reporter à la **Notice de fonctionnement** pour connaître les commandes propres à chaque modèle.)

7. Retirer les articles une fois le cycle terminé.

Placer les articles propres dans la sècheuse, les étendre sur une corde ou les sécher à plat selon les directives qui figurent sur l'étiquette d'entretien de chaque article. Les articles laissés dans la laveuse après la fin du cycle peuvent se froisser, absorber la couleur des articles qui les entourent ou développer des odeurs désagréables.

8. Précautions d' général les

- **Si le tiroir-distributeur est ouvert lors du fonctionnement, la laveuse arrêtera.** Fermez lentement le tiroir de distributeur et appuyez (Start) pour continuer le cycle.

- **Ne pas claquer la porte de la laveuse ni tenter de l'ouvrir de force lorsqu'elle est barrée.** Ceci pourrait endommager la laveuse.

- **NE PAS laisser la porte de la laveuse ouverte.** Cela pourrait encourager les enfants à se suspendre à la porte ou à entrer dans la laveuse.

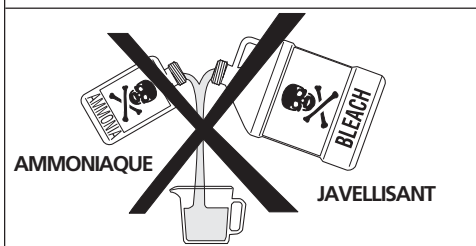
Note: S'il n'y a aucun petit enfant présent, laissez la porte entrebâillée pour empêcher l'accumulation d'odeur et pour améliorer la mise à l'air libre de l'unité.

- Pour éviter d'endommager la laveuse et prévenir les blessures, NE PAS se suspendre ni s'adosser à la porte de la laveuse.

- Ne pas placer de contenants de détergent, de javellisant ou d'assouplisseur de tissu sur la laveuse.

Détachage

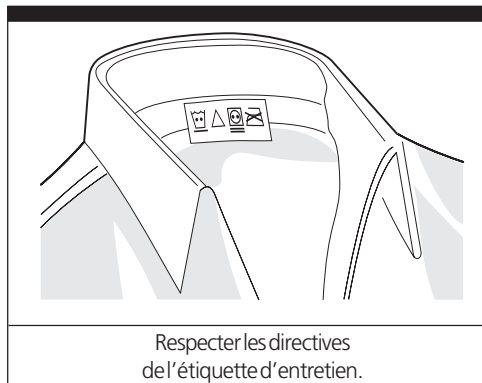
⚠ AVERTISSEMENT Ne pas utiliser ni mélanger de javellisant liquide chloré avec d'autres produits chimiques d'usage domestique comme les net-toyants pour cuvettes, les produits dégraissants, acides ou contenant de l'ammoniaque. Ces mélanges peuvent dégager des vapeurs dangereuses pouvant causer des blessures graves ou la mort.



Méthode sécuritaire de détachage

⚠ AVERTISSEMENT Pour réduire les risques d'incendie, de blessures graves et de dommages matériels, respecter les mises en garde qui suivent :

- Lire et respecter toutes les directives qui figurent sur les produits de détachage.
- Conserver les produits de détachage dans leur contenant étiqueté d'origine hors de la portée des enfants.
- Laver à fond tout ustensile utilisé pour manipuler ces produits.
- Ne pas mélanger des produits de détachage, tout particulièrement l'ammoniaque et les javellisants chlorés. Ce type de mélange pourrait dégager des vapeurs dangereuses.
- Ne jamais laver dans cet appareil des articles qui ont été au préalable nettoyés, lavés ou trempés dans de l'essence, du solvant pour nettoyage à sec ou d'autres substances inflammables ou explosives, ni des articles qui sont souillés de ces produits. Les produits décrits ci-dessus dégagent des vapeurs qui peuvent s'enflammer ou exploser.
- Ne jamais utiliser de solvants hautement inflammables, comme l'essence, à l'intérieur d'une maison. Les vapeurs que dégagent ces produits peuvent exploser au contact de flammes ou d'étincelles.



Pour enlever efficacement les taches :

- Enlever les taches le plus tôt possible.
- Déterminer l'origine de la tache, puis suivre les directives de traitement du tableau de détachage qui figure ci-dessous.
- Pour traiter les taches avant le lavage, utiliser un produit de détachage, un détergent liquide ou une pâte formée de détergent en poudre et d'eau.
- Utiliser de l'eau froide sur les taches d'origine inconnue, car l'eau chaude peut remplir les taches.
- Identifier sur l'étiquette d'entretien de chaque article les méthodes d'entretien prescrites.
- Vérifier la permanence de la couleur en appliquant le produit détachant sur un revers intérieur de l'article.
- Rincer et laver l'article après avoir enlevé la tache.

Détachage

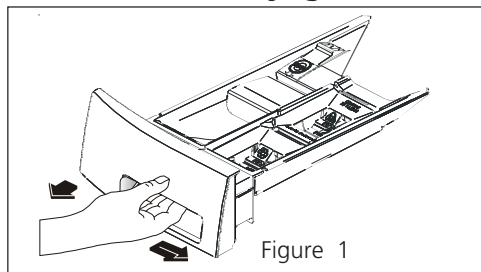
TACHE	TRAITEMENT
Ruban adhésif, gomme à mâcher, adhésif à base de caoutchouc	Couvrir de glace. Gratter l'excédent. Placer la tache, face vers le bas, sur une serviette en papier. Saturer la tache de produit détachant ou de liquide pour nettoyage à sec inflammable.
Mélange lacté pour biberon, produits laitiers, oeuf	Utiliser un produit contenant des enzymes pour prétraiter ou faire tremper la tache. Laisser tremper pendant au moins 30 minutes. Laver.
Boissons (café, thé, boissons gazeuses, jus, boissons alcooliques)	Prétraiter la tache. Laver à l'eau froide en utilisant un javellisant recommandé pour le tissu en question.
Sang	Rincer à l'eau froide. Frotter avec un pain de savon. Ou encore, prétraiter ou faire tremper dans un produit contenant des enzymes. Laver en utilisant un javellisant recommandé pour le tissu en question.
Cire à chandelle, crayon de cire	Gratter la cire de la surface du tissu. Placer la tache, face vers le bas, entre deux serviettes en papier. Repasser au fer tiède jusqu'à ce que la cire soit absorbée par le papier. Remplacer souvent les serviettes en papier. Traiter le reste de la tache à l'aide d'un produit détachant ou d'un liquide pour nettoyage à sec inflammable. Laver à la main pour enlever le solvant. Laver en utilisant un javellisant recommandé pour le tissu en question.
Chocolat	Prétraiter ou faire tremper la tache à l'eau tiède avec un produit contenant des enzymes. Laver en utilisant un javellisant recommandé pour le tissu en question.
Cerne sur un col ou un poignet, produits de beauté	Prétraiter la tache avec un produit détachant ou frotter avec une barre de savon.
Teinture sur un tissu blanc	Utiliser un produit décolorant commercial. Laver en utilisant un javellisant recommandé pour le tissu en question.
Herbe	Prétraiter ou faire tremper la tache à l'eau tiède avec un produit contenant des enzymes. Laver en utilisant un javellisant recommandé pour le tissu en question.
Graisse, huile, goudron (beurre, matières grasses, vinaigrette, huile végétale, huile de voiture, huile à moteur)	Gratter le résidu de la surface du tissu. Prétraiter la tache. Laver à la température maximale recommandée pour le tissu en question. Pour les taches tenaces et le goudron, appliquer un liquide pour nettoyage à sec inflammable sur l'arrière de la tache. Placer une serviette sous la tache et la remplacer fréquemment. Rincer à fond. Laver à la température maximale recommandée pour le tissu en question.
Encre	Certaines taches d'encre sont permanentes. L'encre peut s'incruster au lavage. Utiliser un produit détachant, de l'alcool dénaturé ou un liquide pour nettoyage à sec inflammable avant le lavage.
Moisissure, brûlure légère	Laver avec un javellisant si cela est recommandé pour le tissu en question. Ou encore, faire tremper dans un javellisant oxygéné et de l'eau chaude avant le lavage. Les tissus couverts d'une quantité importante de moisissure peuvent être endommagés à tout jamais.
Boue	Essuyer la boue sèche. Prétraiter ou faire tremper la tache avec un produit contenant des enzymes.
Moutarde, tomate	Prétraiter avec un produit détachant. Laver en utilisant un javellisant recommandé pour le tissu en question.
Vernis à ongles	Peut être impossible à enlever. Placer la tache, face vers le bas, sur des serviettes en papier. Verser du dissolvant de vernis à ongles sur l'arrière de la tache. Recommencer en remplaçant souvent les serviettes en papier. Ne pas utiliser sur de l'acétate.
Peinture, vernis	PEINTURE À L'EAU : Rincer le tissu à l'eau froide avant que la tache ne sèche. Laver. Une fois la peinture sèche, elle ne peut plus être enlevée. PEINTURE À L'HUILE ET VERNIS : Utiliser le solvant recommandé sur l'emballage du produit. Rincer à fond avant de laver.
Sueur	Utiliser un produit détachant ou frotter avec une barre de savon. Rincer. Laver à l'aide d'un javellisant sans chlore à la température maximale recommandée pour le tissu en question.
Rouille, jaunissement, taches brunâtres	Dans le cas des taches, utiliser un produit dérouillant recommandé pour le tissu en question. Lorsqu'une brassée entière est décolorée, utiliser un détergent au phosphate et un javellisant sans chlore. Ne pas utiliser d'eau de javel car ce produit pourrait accentuer la décoloration.
Cirage à chaussures	CIRAGE LIQUIDE : Prétraiter la tache avec une pâte formée de détergent en poudre et d'eau. CIRAGE EN PÂTE : Gratter le résidu de la surface du tissu. Prétraiter la tache avec un produit détachant ou un liquide pour nettoyage à sec inflammable. Rincer. Faire pénétrer le détergent dans la partie mouillée. Laver en utilisant un javellisant recommandé pour le tissu en question.
Urine, vomi, mucosités, excréments	Prétraiter ou faire tremper la tache dans un produit contenant des enzymes. Laver en utilisant un javellisant recommandé pour le tissu en question.

Problèmes de lessive courants

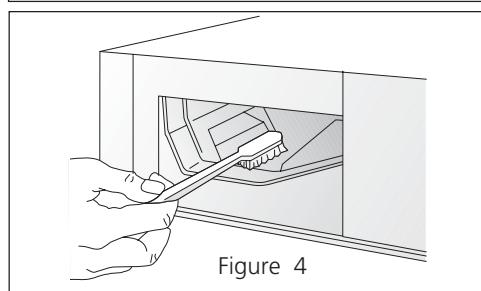
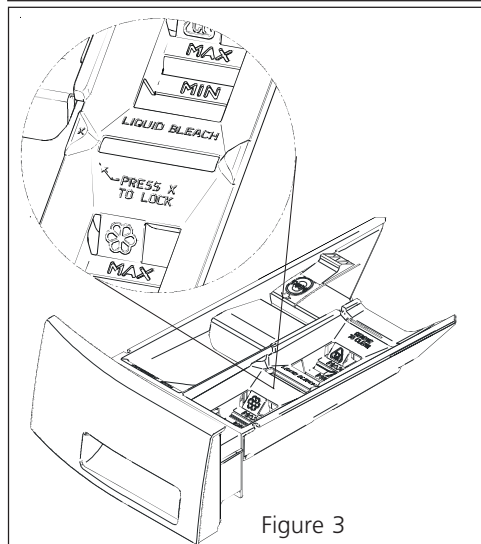
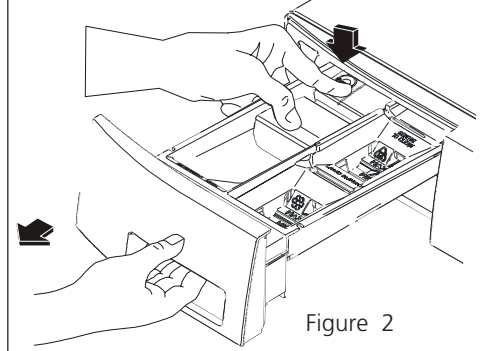
Bon nombre de problèmes de lessive sont liés au traitement inadéquat de la saleté et des taches, à un dépôt de charpie ou de mousse ou encore à des tissus endommagés. Pour des résultats satisfaisants, suivre les recommandations de *The Soap and Detergent Association* (association des fabricants de savons et de détergents).

PROBLÈME	CAUSES POSSIBLES	SOLUTIONS	MESURES PRÉVENTIVES
Taches bleues	<ul style="list-style-type: none"> • Détergent liquide non dilué ou assouplisseur de tissu versé directement sur le tissu. 	<ul style="list-style-type: none"> • Si le problème est causé par le détergent, mélanger 240 mL (1 tasse) de vinaigre blanc et 0,95 L (1 pinte) d'eau dans un contenant en plastique. Laisser tremper l'article pendant une heure. Rincer. • Si le problème est causé par l'assouplisseur de tissu, frotter la tache avec un pain de savon. Laver. 	<ul style="list-style-type: none"> • Éviter de mettre trop de détergent et d'assouplisseur de tissu dans les compartiments du distributeur.
Décoloration, assombrissement	<ul style="list-style-type: none"> • Pas assez de détergent. • Température de lavage trop basse. • Tri incorrect. 	<ul style="list-style-type: none"> • Laver de nouveau avec la quantité requise de détergent à la température maximale recommandée pour les tissus en question. Ajouter un javellisant recommandé pour ces tissus. 	<ul style="list-style-type: none"> • Trier les articles en fonction de leur degré de saleté et de leur couleur. • Utiliser la quantité requise de détergent, la température maximale recommandée et un javellisant recommandé pour les tissus en question.
Taches de graisse ou d'huile	<ul style="list-style-type: none"> • Pas assez de détergent. • Assouplisseur de tissu liquide non dilué et versé directement sur la brassée. 	<ul style="list-style-type: none"> • Traiter la tache avec un produit détachant ou un détergent liquide. • Augmenter la quantité de détergent et la température de l'eau. Laver de nouveau. • Frotter les taches d'assouplisseur de tissu avec un pain de savon. 	<ul style="list-style-type: none"> • Utiliser la quantité requise de détergent et la température maximale recommandée pour les tissus en question. • Ne pas verser d'assouplisseur de tissu liquide directement sur la brassée. Consulter la section Instructions de lavage pour savoir comment ajouter correctement l'assouplisseur.
Trous, accrocs ou déchirures	<ul style="list-style-type: none"> • Utilisation incorrecte d'eau de javel. • Fermetures éclair, agrafes ou boucles ouvertes. • Déchirures, accrocs ou fils cassés • Brassée trop volumineuse. • Détérioration du tissu. 	<ul style="list-style-type: none"> • Peut être irréversible si les déchirures, les accrocs et les coutures ne peuvent pas être réparés. 	<ul style="list-style-type: none"> • Ne jamais verser d'eau de javel directement sur le tissu. • Vérifier l'état des articles avant de les laver. • Consulter la section Instructions de lavage pour savoir comment préparer et charger la brassée et pour connaître le mode d'emploi de l'eau de javel.
Charpie	<ul style="list-style-type: none"> • Tri incorrect. • Mouchoirs en papier laissés dans une poche. • Brassée trop volumineuse. • Pas assez de détergent. • Détergent non dissous qui a laissé un résidu ressemblant à de la charpie. • Électricité statique qui attire la charpie. • Cycle de lavage trop long. 	<ul style="list-style-type: none"> • Réduire la taille de la brassée. Laver de nouveau à la température, au niveau d'eau et avec la quantité de détergent recommandés. • Ajouter un conditionneur d'eau non précipitant à l'eau de lavage pour éliminer toute trace de détergent. • Ajouter de l'assouplisseur de tissu liquide au rinçage final. • Sécher la brassée à la machine. • Retirer la charpie à l'aide d'une brosse ou d'un rouleau à charpie. 	<ul style="list-style-type: none"> • Consulter la section Instructions de lavage pour savoir comment trier et préparer la brassée. • Ne pas surcharger la laveuse. • Utiliser la température, la quantité de détergent, le niveau d'eau et la durée de cycle recommandés.
Moutonnement (Des fibres se détachent, forment une boule et collent au tissu.)	<ul style="list-style-type: none"> • Le moutonnement est normal pour la fibre synthétique et le tissu à pli permanent. Ce phénomène est causé par l'abrasion qui accompagne l'usure normale. 	<ul style="list-style-type: none"> • Utiliser une brosse à charpie ou un rasoir pour retirer les boules de tissu. 	<ul style="list-style-type: none"> • Utiliser un assouplisseur de tissu dans la laveuse pour lubrifier les fibres. • Au repassage, utiliser de l'amidon en aérosol ou un produit rehaussant l'apparence du tissu sur les collets et les poignets. • Tourner les articles à l'envers pour réduire l'abrasion.
Résidu ou poudre sur les articles foncés; Tissus rigides, rugueux	<ul style="list-style-type: none"> • Détergent non dissous. • Certains détergents en poudre sans phosphate peuvent se combiner aux minéraux présents dans l'eau calcaire et former un résidu. • Brassée trop volumineuse. 	<ul style="list-style-type: none"> • Laver de nouveau. 	<ul style="list-style-type: none"> • Augmenter la température de l'eau jusqu'au maximum recommandé pour les tissus en question. • Ne pas surcharger la laveuse. • Utiliser un détergent liquide ou ajouter un conditionneur d'eau non précipitant aux détergents en poudre sans phosphate.
Froissement	<ul style="list-style-type: none"> • Brassée trop volumineuse. • Cycle de lavage incorrect pour la brassée. 	<ul style="list-style-type: none"> • Réduire la taille de la brassée. • Rincer à l'eau froide avec un assouplisseur de tissu liquide au cycle perma-press ou au cycle délicat. 	<ul style="list-style-type: none"> • Ne pas surcharger la laveuse. • Retirer les articles de la laveuse dès que le cycle est terminé. • Utiliser un assouplisseur de tissu liquide.
Cernes de sueur jaunâtres sur les tissus synthétiques	<ul style="list-style-type: none"> • Agitation trop courte. • Température de l'eau de lavage trop basse. • Pas assez de détergent. 	<ul style="list-style-type: none"> • Faire tremper dans un renforçateur de détergent ou un produit contenant des enzymes. • Laver à l'eau chaude (49°C/120°F) en utilisant le cycle perma-press au complet. Utiliser davantage de détergent. Ajouter un javellisant recommandé pour le tissu en question. • Ou encore, traiter à l'aide d'un produit décolorant. 	<ul style="list-style-type: none"> • Choisir le cycle de lavage qui convient. • Utiliser la quantité requise de détergent. • Laver souvent les tissus synthétiques dans l'eau chaude ou l'eau tiède.
Taches de rouille jaunes ou brunes	<ul style="list-style-type: none"> • Fer ou manganèse présent dans l'eau, les tuyaux ou le chauffe-eau. 	<ul style="list-style-type: none"> • Pour redonner leur éclat aux tissus blancs tachés, utiliser un produit dérouillant recommandé pour les tissus en question. • Ne pas utiliser d'eau de javel pour retirer les taches de rouille. Cela pourrait intensifier la décoloration. 	<ul style="list-style-type: none"> • Utiliser un adoucesseur d'eau non précipitant. • Avant le lavage, laisser couler l'eau chaude pendant quelques minutes pour nettoyer la canalisation. • Purger le chauffe-eau de temps à autre. • Si le problème persiste, fixer un filtre à fer à la canalisation d'eau.

Entretien et nettoyage



La languette d'immobilisation n'est visible qu'une fois le tiroir ouvert.)



Suivre les directives de préparation au froid pour protéger l'appareil.

Extérieur

- Une fois le lavage terminé, essuyer le dessus et les côtés de la laveuse à l'aide d'un chiffon humide. Fermer les robinets d'eau pour éviter que la pression ne s'accumule dans les tuyaux.
- Au besoin, nettoyer le boîtier de la laveuse à l'eau et au savon doux. **Ne jamais utiliser de détergent rude, grumeleux ou abrasif.** Les taches sur la porte ou le tableau de commande doivent être lavées à l'eau de javel diluée [120 mL (1/2 tasse) dans 0,95 L (1 pinte) d'eau]. Rincer plusieurs fois à l'eau claire.
- Retirer les résidus de colle provenant du ruban adhésif ou des étiquettes à l'aide d'un mélange d'eau tiède et de détergent doux. Ou encore, décoller ces résidus en appuyant le côté collant du ruban ou de l'étiquette sur la surface.
- **Avant de déplacer la laveuse**, placer une bande de carton ou un panneau fibreux mince sous les pieds de nivellement avant afin d'éviter d'endommager le plancher.

Nettoyage du tiroir-distributeur

Le détergent et l'assouplisseur de tissu peuvent s'accumuler dans le tiroir-distributeur. Les résidus doivent être retirés une ou deux fois par mois.

- Ouvrir le tiroir en poussant le loquet de sûreté vers la droite, puis en tirant le tiroir jusqu'à ce qu'il s'immobilise. (Figure 1)
- Enfoncer fermement la languette d'immobilisation située dans le coin arrière gauche du tiroir. Sortir le tiroir. (Figure 2)
- Retirer les contenants amovibles des compartiments pour le javellisant et l'assouplisseur de tissu. (Figure 3)
- Rincez régulièrement à l'eau chaude l'intérieur de la machine à laver et les distributeurs intégrés afin d'enlever toute trace de résidu de produits liquides ou en poudre. Une grande quantité de résidu d'assouplisseur de tissu peut indiquer que la dilution ne se fait pas correctement ou qu'un nettoyage plus fréquent est nécessaire.
- Pour nettoyer le logement du tiroir, frotter l'ouverture à l'aide d'une petite brosse. Retirer tout résidu dans les parties supérieure et inférieure du logement. (Figure 4)
- Remplacez l'contenants amovibles enfoncer le "X" pour enfermer en place. Renvoyez le tiroir de distributeur.

Intérieur

- Retirer les articles de la laveuse dès que le cycle est terminé. Les articles laissés dans la laveuse après la fin du cycle peuvent se froisser, absorber la couleur des articles qui les entourent ou développer des odeurs désagréables.
- Avant de laver l'intérieur de la laveuse, **débrancher le cordon d'alimentation électrique** pour prévenir les risques d'électrocution.
- Sécher l'ouverture de la porte de la laveuse, le joint souple et le verre de la porte. Ces pièces devraient toujours être propres pour assurer l'étanchéité.
- Périodiquement, essuyez sec les plis au fond de la garniture flexible pour enlever la fibre et d'autres débris.
- Lorsque des articles très sales ont été lavés, un résidu de saleté peut être présent dans le tambour. Retirer ce résidu en essuyant le tambour à l'aide d'un détergent non abrasif d'usage domestique. Rincer abondamment.
- Les ailettes en plastique du tambour peuvent être tachées par la teinture des tissus. Nettoyer ces ailettes à l'aide d'un détergent non abrasif d'usage domestique. Cela évite le transfert de la teinture à des brassées subséquentes.

Directives de préparation au froid

Si la laveuse doit être entreposée dans un endroit exposé au gel ou qu'elle doit être déplacée dans une température inférieure au point de congélation, suivre les directives de préparation au froid pour éviter de l'endommager.

1. Fermer les robinets.
2. Débrancher les boyaux de la canalisation et les vider.
3. Brancher le cordon électrique dans une prise adéquatement mise à la terre.
4. Verser 3,8 L (1 gallon) d'antigel non toxique pour voiture de tourisme dans le tambour vide de la laveuse. Fermer la porte.
5. Régler le sélecteur de cycle sur l'essorage. Tirer sur ce sélecteur et laisser la laveuse essorer pendant une minute pour que toute l'eau s'écoule. L'antigel pour voiture ne sera pas entièrement évacué.
6. Enfoncer le sélecteur de cycle, débrancher le cordon d'alimentation électrique, sécher l'intérieur du tambour, puis fermer la porte.
7. Retirer le tiroir-distributeur. Enlever l'eau des compartiments et les sécher complètement. Replacer le tiroir.
8. Entreposer la laveuse à la verticale.
9. Pour évacuer l'antigel de la laveuse après l'entreposage, faire fonctionner la laveuse sur un cycle complet en utilisant du détergent, mais sans mettre de vêtements.

Ne pas mettre de brassée dans la laveuse.

Guide de dépannage

Avant d'appeler un agent de service agréé, consulter le guide qui suit. Cela peut épargner temps et argent. Ce guide porte sur des troubles communs qui ne sont pas causés par un défaut de fabrication ni par un matériau défectueux.

OCCURANCE

BRUIT

Bruit perçant rappelant un moteur d'avion

CAUSE POSSIBLE / SOLUTION

- Il est normal que le moteur émette un peu de bruit pendant le cycle d'essorage.

Bruits métalliques et cliquetis

- Des objets comme des pièces de monnaie ou des épingles de sûreté peuvent se trouver dans le tambour ou dans la pompe. Arrêter la laveuse et vérifier le tambour. Si le bruit persiste lorsque la laveuse est remise en marche, les objets peuvent s'être logés dans la pompe. S'adresser à un agent de service autorisé.
- Des boucles de ceinture et des agrafes métalliques frappent le tambour. Pour éviter les bruits inutiles et les dommages au tambour, fermer les agrafes et tourner les articles à l'envers.

Grincements ou odeurs de caoutchouc chaud

- La laveuse est surchargée. Ne pas la surcharger. Arrêter la laveuse et réduire la brassée.

Bruit lourd et sourd

- Les brassées lourdes peuvent produire un bruit lourd et sourd. Ce bruit est habituellement normal. S'il persiste, la laveuse est probablement déséquilibrée. Arrêter la laveuse et répartir la brassée.

Vibrations

- La laveuse n'est pas fermement sur le sol. Déplacer la laveuse de façon à ce qu'elle repose fermement sur le sol. Ajuster les pieds de nivellement et serrez les contre-écrous. Consulter la NOTICE D'INSTALLATION pour plus de détails.
- Les boulons et le morceau de mousse de l'emballage n'ont pas été retirés pendant l'installation. Consulter la NOTICE D'INSTALLATION pour savoir comment retirer les boulons et le morceau de mousse.
- La brassée n'est pas distribuée uniformément dans le tambour. Arrêter la laveuse et répartir la brassée.

FONCTIONNEMENT

La laveuse ne démarre pas.

- Le cordon d'alimentation électrique n'est pas branché ou le branchement est lâche. S'assurer que la fiche s'emboîte fermement dans la prise murale.
- Le fusible de la maison est brûlé, le disjoncteur est déclenché ou il y a une panne d'électricité. Réarmer le disjoncteur ou remplacer le fusible. Ne pas accroître la capacité du fusible. Si le trouble est lié à la surcharge du circuit, faire corriger le problème par un électricien qualifié. Si le trouble est causé par une panne d'électricité, contacter la compagnie d'électricité locale.
- Les robinets ne sont pas ouverts. "F03" est montré. Ouvrir les robinets.
- Le sélecteur de cycle n'est pas dans la bonne position. Tourner délicatement ce sélecteur dans le sens des aiguilles d'une montre. Tirer sur le sélecteur.
- Le moteur surchauffe. Le moteur s'arrête de lui-même en cas de surchauffe. Il redémarrera de lui-même après une période de refroidissement pouvant atteindre 30 minutes (si la laveuse n'a pas été arrêtée manuellement).
- Le tiroir-distributeur n'est pas complètement fermé. Fermer le tiroir complètement.
- La porte de la laveuse n'est pas complètement fermée. Fermer la porte complètement.

La laveuse n'essore pas.

- Le tiroir-distributeur n'est pas complètement fermé. Fermer le tiroir complètement.
- La brassée est trop petite. Ajouter un ou deux articles similaires pour rééquilibrer la brassée.

Résidus dans le tambour

- Articles très sales. Essuyer le tambour avec un nettoyeur non abrasif d'usage domestique, puis rincer. Faire tomber ou brosser l'excédent de saleté et le sable des articles avant de les laver.

EAU

L'eau se rassemble en plis du soufflet à la fin du cycle.

- C'est un résultat de l'action de lavage et fait partie de l'opération normale de la laveuse.

De l'eau s'accumule dans les compartiments prévus pour le javellisant et l'assouplisseur de tissu.

- Cette accumulation est causée par l'action siphonnante de la laveuse et elle est tout à fait normale. Pour retirer l'eau, démonter le tiroir-distributeur (consulter les figures 1 et 2 en page 17) et verser l'eau dans le tambour vide ou dans un évier.
- La laveuse est surchargée. Ne pas surcharger la laveuse. Consulter la section **Instructions de lavage;**

La brassée est trop mouillée après l'essorage.

- La brassée est trop petite. Ajouter un ou deux articles similaires pour rééquilibrer la brassée.
- La brassée est déséquilibrée. Répartir la brassée pour optimiser l'essorage.
- Le boyau d'évacuation est pincé. Redresser le boyau d'évacuation.

L'eau n'entre pas dans la laveuse ou elle y entre lentement.

- Le débit d'eau n'est pas adéquat dans la région. Vérifier un autre robinet de la maison. Attendre que le débit d'eau et la pression augmentent.
- Les robinets ne sont pas complètement ouverts. Ouvrir à fond les robinets d'eau chaude et d'eau froide.
- Un autre robinet est utilisé simultanément dans la maison. La pression de l'eau doit être d'au moins 260 kPa (30 livres par pouce carré). Éviter d'utiliser l'eau dans une autre partie de la maison pendant que la laveuse se remplit.
- Les boyaux d'arrivée d'eau sont pincés. Redresser les boyaux.

L'eau chaude et l'eau tiède ne sont pas assez chaudes.

- Le réglage du chauffe-eau est trop faible ou le chauffe-eau est situé trop loin de la laveuse. Mesurer la température du chauffe-eau à un robinet situé près de la laveuse à l'aide d'un thermomètre à bonbons ou à viande. L'eau devrait être à au moins 70°C (130°F). Régler le chauffe-eau en conséquence.
- L'eau chaude est utilisée dans une autre partie de la maison. Éviter d'utiliser l'eau chaude dans le reste de la maison avant et pendant l'utilisation de la laveuse. Il pourrait ne pas y avoir suffisamment d'eau chaude pour laver correctement les vêtements. Si le problème persiste, il se peut que le réseau d'eau chaude ne soit pas en mesure de supporter plus d'une utilisation à la fois.;

L'eau ne s'évacue pas ou se vide lentement.

- Le boyau d'évacuation est pincé ou bouché. Nettoyer et redresser le boyau d'évacuation.

Fuites d'eau

- Le boyau d'arrivée d'eau est mal connecté au robinet ou à la laveuse. Vérifier le branchement du boyau et le resserrer. Poser les rondelles d'étanchéité en caoutchouc qui accompagnent la laveuse.
- Les conduites des eaux usées de la maison sont bouchées. Déboucher ces conduites. Appeler un plombier au besoin.

Excès de mousse.

- Mauvais détergent. Courez le cycle de rinçage. Utiliser un bas savonneux, à haute efficacité détergent.
- Beaucoup Utiliser moins de détergent. Courez le cycle de rinçage. Utiliser moins de détergent

Températures de lavage et de rinçage incorrectes

- Le boyau d'eau chaude et le boyau d'eau froide sont connectés au mauvais robinet. Connecter le boyau d'eau chaude au robinet d'eau chaude et le boyau d'eau froide au robinet d'eau froide.

L'eau entre dans la laveuse mais la cuve ne se remplit pas.

- Le tuyau de chute auquel est connecté le boyau d'évacuation n'est pas à la bonne hauteur. Le tuyau de chute doit être à une hauteur minimum de 60 cm (23,6 po) pour éviter que l'eau ne soit siphonnée. Consulter la NOTICE D'INSTALLATION.

GARANTIE DU CLIENT

(pour la clientèle au Canada)

Votre appareil est garanti contre tout défaut de matériau et de fabrication.

Ce que cette garantie couvre	Durée de garantie (à partir de la date d'achat)	Pièces Réparation ou remplacement au choix de Camco	Main-d'oeuvre
Toutes les pièces	Un (1) an	Un (1) an	Un (1) an
Le caisson de suspension, le moteur	Cinq (5) ans	Cinq (5) ans	Un (1) an
Le bac extérieur	Dix (10) ans	Dix (10) ans	Un (1) an

TERMES ET CONDITIONS :

La présente garantie ne s'applique qu'à l'utilisation domestique par une seule famille au Canada, lorsque l'appareil a été installé conformément aux instructions fournies par Camco et est alimenté correctement en eau et en électricité.

Les dommages dus à une utilisation abusive, un accident, une exploitation commerciale, ainsi que la modification, l'enlèvement ou l'altération de la plaque signalétique annulent la présente garantie.

L'entretien effectué dans le cadre de la présente garantie doit l'être par un réparateur agréé Camco.

Camco et le marchand ne peuvent être tenus pour responsables en cas de réclamations ou dommages résultant de toute panne du réfrigérateur ou d'un entretien retardé pour des raisons qui raisonnablement échappent à leur contrôle.

L'acheteur doit, pour obtenir un service dans le cadre de la garantie, présenter la facture originale. Les éléments réparés ou remplacés ne sont garantis que pendant le restant de la période de garantie initiale.

Cette garantie est offerte à l'acheteur initial, ainsi qu'à tout propriétaire subséquent d'un produit acheté en vue d'une utilisation domestique au Canada. Le service à domicile en vertu de la garantie sera fourni dans les régions où il est disponible et où Camco estime raisonnable de le fournir.

Cette garantie est en sus de toute garantie statutaire.

IMPORTANT

Gardez cette garantie et votre facture originale comme preuve d'achat et preuve de la date d'achat.

EXCLUSIONS DE LA GARANTIE :

- Visites à domicile pour vous apprendre à vous servir de l'appareil.
- Dommages causés à la peinture ou à l'émail après livraison.
- Installation incorrecte—l'installation correcte inclut la bonne circulation d'air pour le système de réfrigération, des possibilités de branchement aux circuits électriques, d'alimentation en eau et autres.
- Remplacement de la cartouche de filtre d'eau à la fin de sa durée d'utilisation normale.
- Remplacement des fusibles ou réarmement des disjoncteurs.
- Remplacement des ampoules électriques.
- Dommages subis par l'appareil à la suite d'un accident, d'un incendie, d'inondations ou en cas de force majeure.
- Perte des aliments due à la détérioration.
- Utilisation correcte et entretien adéquat de l'appareil selon le manuel d'utilisation, réglage correct des commandes.
- LE GARANT N'EST PAS RESPONSABLE DES DOMMAGES INDIRECTS.

Camco vous offre ses services dans tout le pays. Pour de plus amples renseignements sur la présente garantie, veuillez prendre contact avec :
Directeur, Relations avec les consommateurs
Camco Inc., Bureau 310
1 Factory Lane, Moncton, N.B. E1C 9M3

Agrapez votre reçu ici.
Vous devez fournir la preuve de l'achat original pour obtenir des services en vertu de la garantie.

Service à la clientèle.



Site Web appareils électroménagers GE

electromenagersge.ca

Vous avez une question ou vous avez besoin d'aide pour votre appareil électroménager? Contactez-nous par Internet au site electromenagersge.ca 24 heures par jour, tous les jours de l'année.



Service de réparations

1.800.361.3400

Service de réparations GE est tout près de vous.
Pour faire réparer votre électroménager GE, il suffit de nous téléphoner.



Studio de conception réaliste

Sur demande, GE peut fournir une brochure sur l'aménagement d'une cuisine pour les personnes à mobilité réduite.

Écrivez: Directeur, Relations avec les consommateurs, Camco, Inc.
Bureau 310, 1 Factory Lane
Moncton, N.B. E1C 9M3

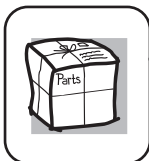


Prolongation de garantie

electromenagersge.ca

Achetez un contrat d'entretien GE avant que votre garantie n'expire et bénéficiez d'un rabais substantiel. Ainsi le service après-vente GE sera toujours là après expiration de la garantie.

Visitez notre site Web ou appelez-nous au 1.800.461.3636.



Pièces et accessoires

Ceux qui désirent réparer eux-mêmes leurs électroménagers peuvent recevoir pièces et accessoires directement à la maison (cartes VISA et MasterCard acceptées).

Les directives stipulées dans le présent manuel peuvent être effectuées par n'importe quel utilisateur. Les autres réparations doivent généralement être effectuées par un technicien qualifié. Soyez prudent, car une réparation inadéquate peut affecter le fonctionnement sécuritaire de l'appareil.

Vous trouverez dans les pages jaunes de votre annuaire le numéro du Centre de service Camco le plus proche. Autrement, appelez-nous au 1.800.661.1616.



Contactez-nous

Si vous n'êtes pas satisfait du service après-vente dont vous avez bénéficié :

Premièrement, communiquez avec les gens qui ont réparé votre appareil.

Ensuite, si vous n'êtes toujours pas satisfait envoyez tous les détails—numéro de téléphone compris—au

Directeur, Relations avec les consommateurs, Camco, Inc.
Bureau 310, 1 Factory Lane
Moncton, N.B. E1C 9M3



Inscrivez votre appareil électroménager

electromenagersge.ca

Inscrivez votre appareil électroménager en direct, aussitôt que possible. Cela améliorera nos communications et notre service après-vente. Vous pouvez également nous envoyer par la poste le formulaire d'inscription joint à votre documentation.