

Owner's Manual

Stainless Steel Vent Hood

ZV750, ZV755

ZV850, ZV855

Hotte aspirante en acier inoxydable

Manuel du propriétaire

La section française commence à la page 13

Campana de ventilación de acero inoxidable

Manual del propietario

La sección en español empieza en la página 23

49-80569

05-09 JR

monogram.com



Contents

Consumer Information

Important Phone Numbers 11
 Model and Serial Numbers 2
 Owner's Registration for Canadian Customers ... 9
 Problem Solver 7
 Safety Instructions 3
 Warranty 12

Controls and Features

..... 4
Care and Cleaning
 Charcoal Filters 5
 Hood Surfaces 5
 Light Bulbs 6
 Metal Grease Filter 5

Before using your stainless steel hood

Read this manual carefully. It is intended to help you operate and maintain your new stainless steel hood properly.
 Keep it handy for answers to your questions.

If you don't understand something or need more help, there is a list of toll-free consumer service numbers included in the back section of this manual.

OR

Visit our Website at: monogram.com

Write down the model & serial numbers

You'll find them on a label behind the filters.
 These numbers are also on the Consumer Product Ownership Registration Card packed separately with your hood.

Before sending in this card, please write these numbers here:

Model Number

Serial Number

Use these numbers in any correspondence or service calls concerning your hood.

If you received a damaged hood

Immediately contact the dealer (or builder) that sold you the hood.

Save time & money

Before you request service, check the Problem Solver in the back of this manual.

It lists causes of minor operating problems that you can correct yourself.

If you need service

To obtain service, see the Consumer Services page in the back of this manual.

We're proud of our service and want you to be pleased. If for some reason you are not happy with the service you receive, here are some steps to follow for further help.

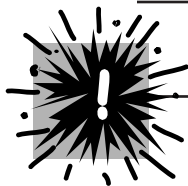
FIRST, contact the people who serviced your appliance. Explain why you are not pleased. In most cases, this will solve the problem.

NEXT, if you are still not pleased, write all the details—including your phone number—to:

Manager, Customer Relations
 GE Appliances
 Appliance Park
 Louisville, KY 40225

IMPORTANT SAFETY INSTRUCTIONS

READ ALL INSTRUCTIONS BEFORE USING



SAFETY PRECAUTIONS

⚠ WARNING—TO REDUCE THE RISK OF FIRE, ELECTRIC SHOCK OR INJURY TO PERSONS, OBSERVE THE FOLLOWING:

- A. Use this unit only in the manner intended by the manufacturer. If you have questions, contact the manufacturer.
- B. Before servicing or cleaning unit, switch power off at service panel and lock the service disconnecting means to prevent power from being switched on accidentally. When the service disconnecting means cannot be locked, securely fasten a prominent warning device, such as a tag, to the service panel.
- C. Do not use this unit with any solid-state speed-control device.
- D. This unit must be grounded.

⚠ CAUTION—FOR GENERAL VENTILATING USE ONLY. DO NOT USE TO EXHAUST HAZARDOUS OR EXPLOSIVE MATERIALS AND VAPORS.

⚠ WARNING—TO REDUCE THE RISK OF INJURY TO PERSONS IN THE EVENT OF A RANGE TOP GREASE FIRE, OBSERVE THE FOLLOWING*:

- A. SMOTHER FLAMES with a close-fitting lid, cookie sheet, or metal tray, then turn off the burner. BE CAREFUL TO PREVENT BURNS. If the flames do not go out immediately, EVACUATE AND CALL THE FIRE DEPARTMENT.
- B. NEVER PICK UP A FLAMING PAN—You may be burned.
- C. DO NOT USE WATER, including wet dishcloths or towels—a violent steam explosion will result.
- D. Use an extinguisher ONLY if:
 - 1. You know you have a Class ABC extinguisher, and you already know how to operate it.
 - 2. The fire is small and contained in the area where it started.
 - 3. The fire department is being called.
 - 4. You can fight the fire with your back to an exit.

*Based on "Kitchen Firesafety Tips" published by NFPA.

⚠ WARNING—TO REDUCE THE RISK OF A RANGE TOP GREASE FIRE:

- A. Never leave surface units unattended at high or medium settings. Boilovers cause smoking and greasy spillovers that may ignite. Heat oils slowly on low or medium settings.
- B. Always turn hood ON when cooking at high heat or when flambéing food (i.e. Crepes Suzette, Cherries Jubilee, Peppercorn Beef Flambé).
- C. Clean ventilating fans frequently. Grease should not be allowed to accumulate on fan or filter.
- D. Use proper pan size. Always use cookware appropriate for the size of the surface element.

⚠ WARNING—TO REDUCE THE RISK OF FIRE, ELECTRIC SHOCK OR INJURY TO PERSONS, OBSERVE THE FOLLOWING:

- A. Installation work and electrical wiring must be done by qualified person(s) in accordance with all applicable codes and standards, including fire-related construction.
- B. Sufficient air is needed for proper combustion and exhausting of gases through the flue (chimney) of fuel burning equipment to prevent back drafting. Follow the heating equipment manufacturer's guideline and safety standards such as those published by the National Fire Protection Association (NFPA), and the American Society for Heating, Refrigeration and Air Conditioning Engineers (ASHRAE), and the local code authorities.
- C. When cutting or drilling into wall or ceiling, do not damage electrical wiring and other hidden utilities.
- D. Ducted fans must always be vented to the outdoors.

⚠ WARNING—TO REDUCE THE RISK OF FIRE, USE ONLY METAL DUCTWORK.

- Do not attempt to repair or replace any part of your hood unless it is specifically recommended in this manual. All other servicing should be referred to a qualified technician.

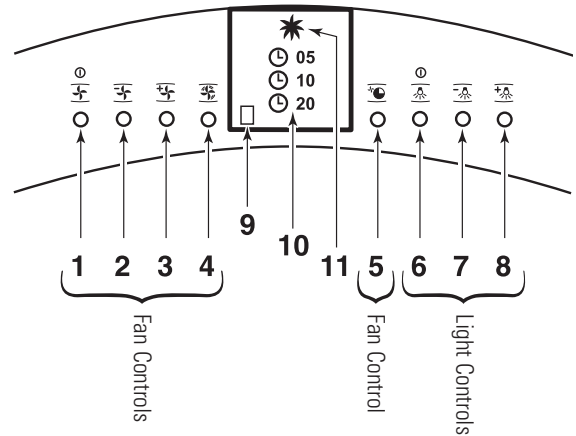


READ AND SAVE THESE INSTRUCTIONS.

Controls

NOTE: Avoid using food products that produce flames under the range hood.

1. ON/OFF. It remembers the last fan speed used (except the highest fan speed—Boost).
2. Lowers the speed.
3. Increases the speed.
4. The highest speed, Boost, is “instant on” when the power is on.
5. Delayed fan shut-off. Choose 5, 10 or 20 minutes by pushing this button.
6. Light ON/OFF. It remembers the last light level used. (Six light levels.)
7. Dims the light.
8. Brightens the light.
9. Clean indicator light illuminates after 30 hours of “on” time to remind you to clean the **metal grease filters**. The light stays on until the filters are replaced. If the red light stays on and the filters are in, adjust the right-side filter in place. The timer resets automatically.
10. Indicates the time the fan is set to run, before automatically shutting off (5, 10 or 20 minutes).
11. Fan ON indicator light.



For your safety

Before servicing or cleaning the unit, switch power off at the service panel and lock the service panel to prevent power from being switched on accidentally. If the service panel cannot be locked, fasten a tag or prominent warning label to the panel.

Charcoal filters

(on some models)

If the model is not vented to the outside, the air will be recirculated through disposable charcoal filters that help remove smoke and odors.

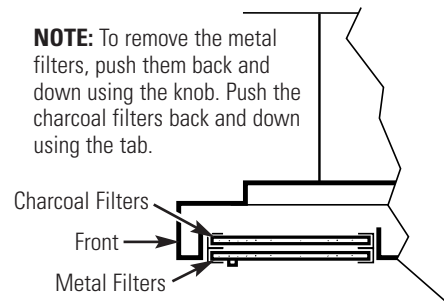
The charcoal filters should be replaced when they are noticeably dirty or discolored (usually after 6 to 12 months, depending on hood usage).

NOTE: DO NOT rinse, or put charcoal filters in an automatic dishwasher.

The charcoal filters cannot be cleaned. They must be replaced.

Order Charcoal Filter Kit (3 filters) WB02X10731.

This kit can be ordered from your GE Supplier.



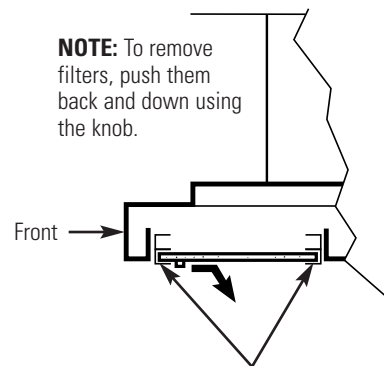
For proper operation, be sure to use the charcoal filters in the upper set of filter holders and metal filters in the lower set of filter holders.

Metal grease filter

Clean the grease filter after 30 hours of "on" time. A signal light will alert you when 30 hours has passed.

Remove the grease filters and wash them either by hand or in the dishwasher using non-abrasive soap.

To clean, swish the filters in hot, soapy water or wash them in the dishwasher. Do not use abrasive cleansers.



For proper operation, be sure to use the lower set of filter holders.

Hood surfaces

Do not use a steel-wool pad; it will scratch the surface.

To clean the stainless steel surface, use warm, sudsy water or a stainless steel cleaner or polish. Always wipe the surface in the direction of the grain.

Follow the cleaner instructions for cleaning the stainless steel surface. To inquire about purchasing stainless steel appliance cleaner or polish or to find the location of a dealer nearest you, please call our toll-free number:

National Parts Center:

800.626.2002

Light bulbs

NOTE: The glass cover should be removed only when cool.

⚠ CAUTION:

Before replacing the bulb, disconnect electrical power to the hood at the main fuse or circuit breaker. Allow bulbs to cool before touching.

Be sure to let the light cover and bulb cool completely.

For safety, do not touch a hot bulb with bare hands or a damp cloth.

To change the light bulbs:

1. Remove the lamp lens cover by inserting a small flat-blade screwdriver into each of the three slots and gently prying it free.

NOTE: Do not remove the outer trim ring (lamp assembly).

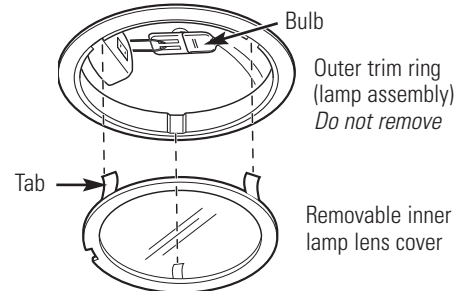
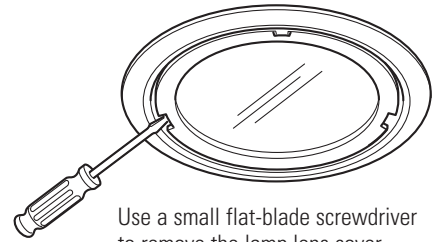
2. Grasp the bulb and pull it straight out.
3. Using gloves or a dry cloth, remove the new bulb from the packaging. (Wearing latex gloves may offer a better grip.) The bulb must be the same wattage, 120-volt, 25-watt halogen with a G-9 base. Early bulb failure may occur if wattage is too high.
4. Push the bulb straight all the way into the receptacle.
5. Replace the lens cover by inserting the three retaining tabs into the slots and pressing into place.

NOTE: For improved lighting, clean the glass cover frequently using a damp cloth. This should be done when the hood is completely cool.

6. Reconnect electrical power to the hood.

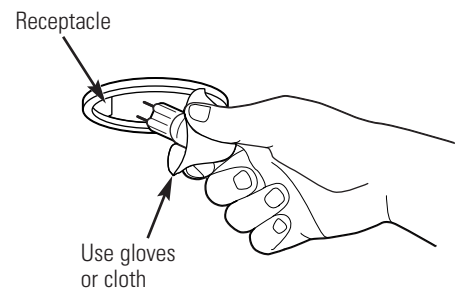
NOTE: Order replacement 120-volt, 25-watt halogen bulb with G-9 base, WB25X10020.

These bulbs can be ordered from your GE supplier.



NOTE: Make sure the tabs are inserted into the slots.

ONLY use a new 120-volt, 25-watt halogen bulb with a G-9 base.



NOTE: Do not touch the new halogen bulb with bare fingers. Skin oils can cause early lamp failure.

Questions?
Use this
problem
solver!

PROBLEM	POSSIBLE CAUSE
FAN DOES NOT OPERATE WHEN THE ON/OFF BUTTON IS PUSHED	<ul style="list-style-type: none"> • A fuse may be blown or a circuit breaker tripped. Replace fuse or reset circuit breaker.
FAN KEEPS GOING OFF AND ON	<ul style="list-style-type: none"> • The motor is probably overheating and turning itself off. This can be harmful to the motor. Check to be sure the filter is clean. If off and on cycling continues, call for service.
FAN FILTER LIGHT IS ON	<ul style="list-style-type: none"> • After 30 hours of “on” or running time, the light reminds you to clean the metal grease filters. The light will glow until the filters are replaced. • The right-side filter is not making contact with the switch. Adjust the filter in place.
FAN DOES NOT OPERATE WHEN FAN ON/OFF BUTTON IS PRESSED OR WHEN + OR - BUTTON IS PRESSED	<ul style="list-style-type: none"> • The blower connector is loose or not plugged into its mating connector. Disconnect power to the unit. Lift the lower duct cover and look at the blower connector plug. If the blower connector plug is loose, plug it in securely. See the <i>Installation Instructions</i> for the plug location and how to plug in the connector.
LOUD OR ABNORMAL AIRFLOW NOISE	<ul style="list-style-type: none"> • Wrong size duct used in installation. This hood requires 6" ducting and a maximum duct length of 100 equivalent feet to perform optimally. Using smaller duct pipe or longer equivalent lengths of duct pipe will cause improper venting. GE service technicians cannot correct this issue if installed improperly.
FAN FAILS TO CIRCULATE AIR OR MOVES AIR SLOWER THAN NORMAL AND/OR FAN IS MAKING LOUD OR ABNORMAL AIRFLOW NOISE	<ul style="list-style-type: none"> • Obstructions in duct work. Make sure nothing is blocking the vent. Make sure your wall or roof cap has a blade or door. • Damper blade on wall or roof cap may not be open. Make sure damper swings freely. Damper blades may flip over and will not fully open when this happens. Adjust to original position. • Metal grease filter and charcoal filter (if present) may be dirty. Clean the metal grease filter and replace charcoal filter (if present). See <i>Care and Cleaning</i>.
THE HOOD CONTROLS ARE NOT OPERATING CORRECTLY	<ul style="list-style-type: none"> • Control logic confused. Disconnect power to the hood by resetting the circuit breaker. Wait 30 seconds to allow controls to reset.
EARLY BULB FAILURE	<ul style="list-style-type: none"> • Replacing bulbs with bare hands. Replace bulbs while wearing gloves to keep skin oils off bulbs. • Bulb wattage is too high. Replace with correct wattage.

Please place in envelope and mail to:
Veuillez mettre dans une enveloppe et envoyez à :

**OWNERSHIP REGISTRATION
P.O. BOX 1780
MISSISSAUGA, ONTARIO
L4Y 4G1**

(FOR CANADIAN CONSUMERS ONLY)



For Canadian
Customers



Pour les
Consommateurs
Canadiens

CUT ALONG THIS LINE AND RETURN CARD—THANKS

OWNERSHIP REGISTRATION CERTIFICATE – FICHE D'INSCRIPTION DU PROPRIÉTAIRE

Please register your product to enable us to contact you in the remote event a safety notice is issued for this product and to allow for efficient communication under the terms of your warranty, should the need arise.

Veillez enregistrer votre produit afin de nous permettre de communiquer avec vous si jamais un avis de sécurité concernant ce produit était émis et de communiquer facilement avec vous en vertu de votre garantie, si le besoin s'en fait sentir.

REGISTER ON-LINE: www.geappliances.ca		MAIL TO: P.O. BOX 1780, MISSISSAUGA	
ENREGISTREMENT SUR INTERNET À: www.electromenagersge.ca		POSTER À: ONTARIO, L4Y 4G1	
<input type="checkbox"/> MR./M	<input type="checkbox"/> MRS./MME.	FIRST NAME / PRÉNOM	LAST NAME / NOM
<input type="checkbox"/> MISS/MLLE.	<input type="checkbox"/> MS.		
STREET NO / N° RUE	STREET NAME / RUE		APT. NO / APP. / RR#
CITY / VILLE		PROVINCE	POSTAL CODE / POSTAL
AREA CODE / IND. RÉG.	TELEPHONE	E-MAIL	
DID YOU PURCHASE A SERVICE CONTRACT FOR THIS APPLIANCE? AVEZ-VOUS ACHETÉ UN CONTRAT DE SERVICE POUR CET APPAREIL ?		YES / OUI <input type="checkbox"/> NO / NON <input type="checkbox"/>	IF YES / SI OUI: EXPIRATION Y/A M D/J
NAME OF SELLING DEALER / NOM DU MARCHAND		MODEL / MODÈLE	
INSTALLATION DATE / DATE D'INSTALLATION Y/A M D/J		CORRESPONDENCE <input type="checkbox"/> ENGLISH CORRESPONDANCE <input type="checkbox"/> FRANÇAIS	SERIAL / SÉRIE
<input type="checkbox"/> I do not wish to receive any promotional offers regarding this product. <input type="checkbox"/> Je ne désire pas recevoir d'offres promotionnelles concernant ce produit.			

With the purchase of your new Monogram appliance, receive the assurance that if you ever need information or assistance from GE, we'll be there. All you have to do is call—toll-free!

GE Answer Center®

800.626.2000

Whatever your question about any Monogram major appliance, GE Answer Center® information service is available to help. Your call—and your question—will be answered promptly and courteously. Call the GE Answer Center® Monday to Friday, 8 a.m. to 10 p.m. EST, and Saturday, 8 a.m. to 7 p.m. EST.

OR

Visit our Website at: monogram.com

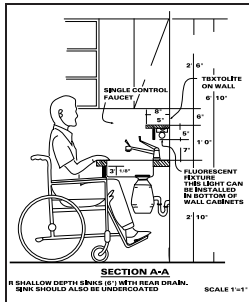
In-Home Repair Service

800.444.1845

A GE consumer service professional will provide expert repair service, scheduled at a time that's convenient for you. To schedule service, call Monday to Friday, 7 a.m. to 10 p.m. EST, or Saturday and Sunday, 8 a.m. to 6 p.m. EST. Many GE Consumer Service company-operated locations offer you service today or tomorrow, or at your convenience. Our factory-trained technicians know your appliance inside and out—so most repairs can be handled in just one visit.

For Customers With Special Needs...

800.626.2000



GE offers, free of charge, a brochure to assist in planning a barrier-free kitchen for persons with limited mobility.

Consumers with impaired hearing or speech who have access to a TDD or a conventional teletypewriter may call 800.TDD.GEAC (800.833.4322) to request information or service.

Service Contracts

800.626.2224

You can have the secure feeling that GE Consumer Service will still be there after your warranty expires. Purchase a GE contract while your warranty is still in effect and you'll receive a substantial discount. With a multiple-year contract, you're assured of future service at today's prices.

Parts and Accessories

800.626.2002

Individuals qualified to service their own appliances can have parts or accessories sent directly to their home. The GE parts system provides access to over 47,000 parts...and all GE Genuine Renewal Parts are fully warranted. VISA, MasterCard and Discover cards are accepted.

User maintenance instructions contained in this guide cover procedures intended to be performed by any user. Other servicing generally should be referred to qualified service personnel. Caution must be exercised, since improper servicing may cause unsafe operation.

YOUR MONOGRAM HOOD WARRANTY

Staple sales slip or cancelled check here. Proof of original purchase date is needed to obtain service under warranty.

WHAT IS COVERED

LIMITED ONE-YEAR WARRANTY

For one year from date of original purchase, we will provide, free of charge, parts and service labor in your home to repair or replace **any part of the hood** that fails because of a manufacturing defect.

.....
This warranty is extended to the original purchaser and any succeeding owner for products purchased for ordinary home use in the 48 mainland states, Hawaii and Washington, D.C. If the product is located in an area where service by a GE Authorized Servicer is not available, you may be responsible for a trip charge or you may be required to bring the product to an Authorized GE Service Location for service. In Alaska the warranty is the same except that it is LIMITED because you must pay to ship the product to the service shop or for the service technician's travel costs to your home.

All warranty service will be provided by our Factory Service Centers or by our authorized Customer Care® servicers during normal working hours.

Should your appliance need service, during warranty period or beyond, call 800.444.1845. Please have your serial number and model number available when calling for service.

WHAT IS NOT COVERED

- Service trips to your home to teach you how to use the product.
 - Replacement of house fuses or resetting of circuit breakers.
 - Incidental or consequential damage caused by possible defects with this appliance.
 - Replacement of the replaceable filters.
 - Damage to the product caused by accident, fire, floods or acts of God.
 - Damage caused after delivery.
 - Failure of the product if it is used for other than its intended purpose or used commercially.
 - Improper installation.
- If you have an installation problem, contact your dealer or installer. You are responsible for providing adequate electrical, gas, exhausting and other connecting facilities as described in the Installation Instructions provided with the product.
- Product not accessible to provide required service.

EXCLUSION OF IMPLIED WARRANTIES—Your sole and exclusive remedy is product repair as provided in this Limited Warranty. Any implied warranties, including the implied warranties of merchantability or fitness for a particular purpose, are limited to one year or the shortest period allowed by law.

Some states do not allow the exclusion or limitation of incidental or consequential damages, so the above limitation or exclusion may not apply to you. This warranty gives you specific legal rights, and you may also have other rights which vary from state to state.

To know what your legal rights are in your state, consult your local or state consumer affairs office or your state's Attorney General.

Warrantor: General Electric Company, Louisville, KY 40225

Table des matières

Service au consommateur

Enregistrement du produit19
 Garantie 22
 Instructions de sécurité 14
 Modèle et numéro de série 13
 Numéros de téléphone importants 21
 Résolution de problèmes 18

Commandes et fonctions 15

Entretien et nettoyage

Ampoules 17
 Filtres à charbon16
 Filtre à graisse métallique 16
 Surfaces de hotte16

Avant d'utiliser votre hotte en acier Inoxydable

Lisez attentivement ce manuel. Il a été conçu pour vous aider à utiliser et à entretenir correctement votre nouvelle hotte aspirante.

Conservez-le à portée de main pour répondre à vos questions.

Si vous ne comprenez pas quelque chose ou que vous avez besoin d'aide, vous trouverez la liste des numéros d'appel gratuit du service après-vente au verso de la couverture de ce manuel.

OU

Visitez notre site web sur : **monogram.com**

Notez les numéros de modèle et de série

Vous les trouverez sur l'étiquette derrière les filtres.

Ces numéros figurent également sur la carte d'enregistrement de propriété du produit emballé séparément avec votre hotte.

Avant d'envoyer la carte, veuillez noter les numéros ici :

Numéro de modèle

Numéro de série

Utilisez ces numéros dans toute correspondance ou pour tout appel au service après-vente, concernant votre hotte.

Si vous recevez une hotte endommagée

Contactez immédiatement le revendeur (ou le constructeur) qui vous a vendu la hotte.

Économisez du temps et de l'argent

Avant de demander l'assistance, reportez-vous au résolveur de problème figurant au dos de ce manuel.

Il répertorie les causes des dysfonctionnements mineurs que vous pouvez corriger par vos propres moyens.

Si vous avez besoin d'une intervention

Pour utiliser le service, consultez la page du service au verso de la couverture de ce manuel.

Nous sommes fiers de notre service et nous voulons que vous en soyez satisfait. Si, pour une quelconque raison, vous êtes mécontent du service fourni, voici la procédure à suivre pour obtenir une aide supplémentaire.

PREMIÈREMENT, contactez la personne qui a réparé votre appareil. Expliquez-lui les raisons de votre mécontentement. Dans la plupart des cas, cela résoudra le problème.

ENSUITE, si vous êtes toujours mécontent, écrivez tous les détails—y compris votre numéro de téléphone—à :

Manager, Customer Relations
 GE Appliances
 Appliance Park
 Louisville, KY 40225

INSTRUCTIONS DE SÉCURITÉ IMPORTANTES

LISEZ TOUTES LES INSTRUCTIONS

AVANT D'UTILISER VOTRE APPAREIL

PRÉCAUTIONS EN MATIÈRE DE SÉCURITÉ

⚠ AVERTISSEMENT :
POUR RÉDUIRE LE RISQUE D'INCENDIE,
DE SECOURS ÉLECTRIQUE OU DE BLESSURE
CORPORELLE, OBSERVEZ LES PRÉCAUTIONS
SUIVANTES :

- A. N'utilisez cet appareil que de la manière prévue par le fabricant. Si vous avez des questions, appelez le fabricant.
- B. Avant de réparer ou de nettoyer votre appareil, débranchez le courant au niveau du panneau de service et verrouillez les mécanismes de débranchement de service pour éviter tout branchement accidentel au courant. Si vous ne pouvez pas verrouiller les mécanismes de débranchement de service, attachez soigneusement un avertissement bien visible, comme une étiquette, au panneau de service.
- C. N'utilisez jamais cet appareil avec un mécanisme de réglage de la vitesse à semi-conducteurs.
- D. Cet appareil doit être bien mis à la terre.

⚠ ATTENTION : UNIQUEMENT À
USAGE DE VENTILATION GÉNÉRALE. N'UTILISEZ
JAMAIS POUR L'ÉCHAPPEMENT DE MATIÈRES ET
DE VAPEURS EXPLOSIVES.

⚠ AVERTISSEMENT : POUR
RÉDUIRE LE RISQUE DE BLESSURE CORPORELLE
SI DE LA GRAISSE PREND FEU SUR LA SURFACE
DE CUISSON DU FOUR, SUIVEZ LES INSTRUCTIONS
SUIVANTES* :

- A. ÉTOUFFEZ LES FLAMMES avec un couvercle qui convient, une tôle à biscuits ou un plateau en métal, puis éteignez le brûleur. FAITES BIEN ATTENTION DE NE PAS VOUS BRÛLER. Si les flammes ne s'éteignent pas immédiatement, SORTEZ ET APPELEZ LES POMPIERS.
- B. NE DÉPLACEZ JAMAIS UNE CASSEROLLE QUI FLAMBE—Vous pouvez vous brûler.
- C. N'UTILISEZ JAMAIS D'EAU, en particulier de serviette ou de chiffon mouillé—il se produira une explosion violente de vapeur brûlante.
- D. N'UTILISEZ UN EXTINCTEUR que si :
 1. Vous avez un extincteur de classe ABC et vous savez comment l'utiliser;
 2. Le feu est réduit et confiné à l'endroit où il a commencé;
 3. Vous avez déjà appelé les pompiers;
 4. Vous combattez les flammes en tournant le dos à une sortie.

* Basé sur l'ouvrage intitulé «Kitchen Fire Safety Tips» publié par la NFPA.

⚠ AVERTISSEMENT : RÉDUISEZ
LE RISQUE D'UN FEU DE GRAISSE SUR LA SURFACE
DE CUISSON DU FOUR :

- A. Ne laissez jamais les éléments de surface sans supervision lorsqu'ils sont réglés sur une chaleur élevée ou moyenne. Le bouillonnement occasionne des débordements fumants et grassex qui peuvent prendre feu. Chauffez à feu doux les substances huileuses, avec un réglage bas ou moyen.
- B. Ne préparez pas des mets flambés sur la cuisinière. Si vous préparez des mets flambés sous la hotte, mettez le ventilateur en marche.
- C. Nettoyez les mécanismes de ventilation fréquemment. Il ne faut pas permettre une accumulation de graisse sur le ventilateur ou sur le filtre.
- D. Utilisez une casserole de bonne taille. Utilisez toujours un ustensile de cuisine qui convienne au diamètre de l'élément de cuisson.

⚠ AVERTISSEMENT : POUR
RÉDUIRE LE RISQUE D'INCENDIE, DE SECOURS
ÉLECTRIQUE OU DE BLESSURE CORPORELLE,
OBSERVEZ LES PRÉCAUTIONS SUIVANTES :

- A. Vous devez faire exécuter tous les travaux d'installation et de câblage électrique par une personne qualifiée, conformément à tous les codes et les normes en vigueur, en particulier ceux de construction relatifs aux incendies.
- B. Vous devez assez d'air pour avoir une bonne combustion et permettre l'évacuation des gaz par le conduit de cheminée du matériel de combustion du carburant, afin d'éviter tout retour d'air. Suivez les directives du fabricant de matériel de combustion et les normes de sécurité comme celles publiées par la National Fire Protection Association (NFPA) et l'American Society for Heating, Refrigeration and Air Conditioning Engineers (ASHRAE), ainsi que les modalités des codes locaux.
- C. Si vous faites un trou ou une ouverture dans un mur ou un plafond, n'endommagez pas les fils électriques et les autres installations cachées de service public.
- D. Vous devez toujours alimenter les ventilateurs dans les conduits en air en provenance de l'extérieur.

⚠ AVERTISSEMENT : POUR
RÉDUIRE LE RISQUE D'INCENDIE, N'UTILISEZ QUE
DES CONDUITS EN MÉTAL.

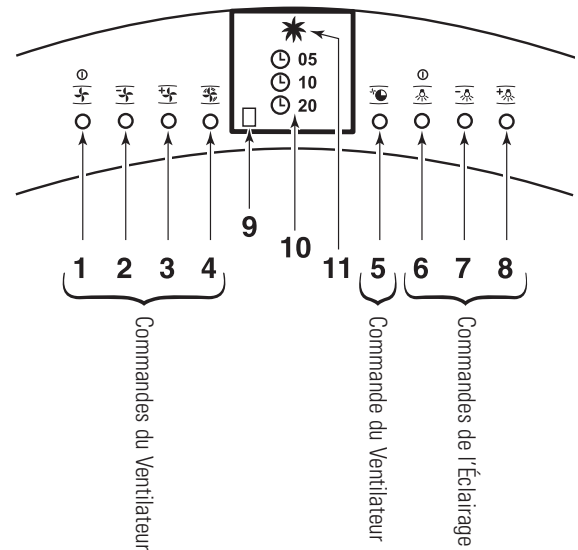
- N'essayez jamais de remplacer ou de réparer un élément de votre hotte si le présent manuel ne le recommande pas expressément. Tout autre entretien doit être effectué par un technicien qualifié.

LISEZ ET CONSERVEZ CES INSTRUCTIONS.

Commandes

REMARQUE : Évitez d'utiliser des aliments qui produisent des flammes sous la hotte aspirante.

1. ON/OFF (marche/arrêt). La dernière vitesse de ventilation est gardée en mémoire (excepté la vitesse de ventilation la plus élevée - Boost).
2. Abaisse la vitesse.
3. Augmente la vitesse.
4. La vitesse la plus élevée, Boost, peut être sélectionnée immédiatement lorsque la hotte est sous tension.
5. Arrêt différé de la ventilation. Sélectionnez un délai de 5, 10 ou 20 minutes en appuyant sur cette touche.
6. Lumière ON/OFF (marche/arrêt). Garde en mémoire le dernier niveau d'éclairage utilisé. (Six niveaux d'éclairage).
7. Abaisse la luminosité.
8. Augmente la luminosité.
9. Le voyant de nettoyage s'allume au bout de 30 heures d'utilisation pour vous rappeler de nettoyer **les filtres à graisse métalliques**. Le voyant reste allumé jusqu'à ce que les filtres soient remis en place. Si le voyant rouge reste allumé et les filtres sont en place, ajustez le filtre du côté droit. Le décompte se remet à zéro automatiquement.
10. Indique la durée de fonctionnement du ventilateur avant son arrêt automatique (5, 10 ou 20 minutes).
11. Voyant de fonctionnement du ventilateur.



Pour votre sécurité

Avant de procéder à l'entretien ou au nettoyage de l'appareil, coupez l'alimentation électrique au niveau du tableau de distribution et verrouillez-le pour éviter que l'alimentation électrique ne soit accidentellement rétablie. Si le tableau de distribution ne peut être verrouillé, attachez une étiquette ou un avertissement visible au tableau.

Filtres à charbon (sur certains modèles)

Si le modèle n'est pas équipé d'une évacuation d'air vers l'extérieur, cet air sera recirculé au travers de filtres à charbon jetables qui éliminent les fumées et les odeurs.

Les filtres à charbon doivent être remplacés dès que vous remarquez qu'ils sont sales ou décolorés (en général, au bout de 6 à 12 mois suivant l'utilisation de la hotte).

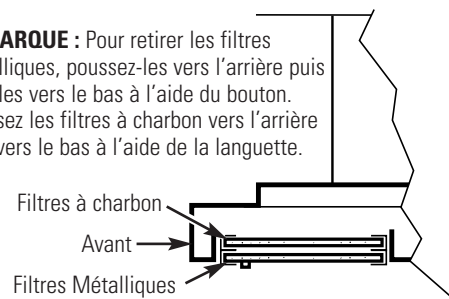
REMARQUE : NE rincez PAS et NE lavez PAS les filtres à charbon dans le lave-vaisselle.

Les filtres à charbon ne peuvent pas être nettoyés. Ils doivent être remplacés.

Commandez une trousse de 3 Filtres à Charbon WB02X10731.

Vous pouvez commander cette trousse auprès de votre revendeur GE.

REMARQUE : Pour retirer les filtres métalliques, poussez-les vers l'arrière puis tirez-les vers le bas à l'aide du bouton. Poussez les filtres à charbon vers l'arrière puis vers le bas à l'aide de la languette.



Pour un fonctionnement correct, assurez-vous d'avoir placé les filtres à charbon dans les porte-filtres supérieurs et les filtres métalliques dans les porte-filtres inférieurs.

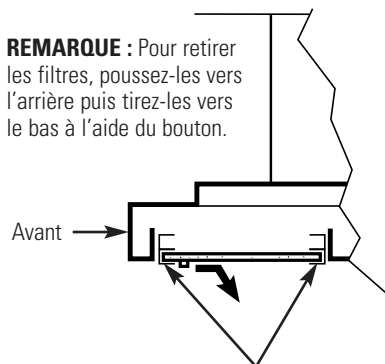
Filtre à graisse métallique

Nettoyez le filtre à graisse après 30 heures de fonctionnement. Un voyant vous alertera lorsque les 30 heures de fonctionnement se seront écoulées.

Retirez les filtres à graisse et lavez-les à la main ou au lave-vaisselle à l'aide d'un détergent non-abrasif.

Pour les nettoyer, passez les filtres dans une eau chaude savonneuse ou lavez-les dans le lave-vaisselle. N'utilisez pas de détergent abrasif.

REMARQUE : Pour retirer les filtres, poussez-les vers l'arrière puis tirez-les vers le bas à l'aide du bouton.



Pour un fonctionnement correct, assurez-vous d'avoir utilisé les porte-filtres inférieurs.

Surfaces de la hotte

N'utilisez pas de tampon en laine d'acier sous peine de rayer les surfaces.

Pour nettoyer une surface en acier inoxydable, utilisez une eau tiède savonneuse ou encore de la cire ou un nettoyant spécialement conçu pour l'acier inoxydable. Nettoyez toujours la surface dans le sens du grain.

Suivez les instructions données pour le nettoyant pour nettoyer la surface en acier inoxydable. Pour toute information concernant l'achat d'un nettoyant ou d'une cire pour les appareils en acier inoxydable ou pour trouver la localisation du revendeur le plus proche de chez vous, appelez notre numéro sans frais :

Centre National de Pièces Détachées :

800.626.2002

Ampoules

REMARQUE : Le diffuseur ne doit être retiré qu'après refroidissement.

⚠ MISE EN GARDE :

Avant de remplacer une ampoule, débranchez la hotte de l'alimentation électrique au niveau du fusible principal ou du disjoncteur. Laissez refroidir les ampoules avant de les toucher.

Laissez refroidir complètement le diffuseur ainsi que l'ampoule.

Par sécurité, ne touchez pas une ampoule chaude à mains nues ou avec un chiffon mouillé.

Pour remplacer les ampoules :

1. Retirez le diffuseur en insérant un petit tournevis à tête plate dans chacune des fentes pour l'extraire doucement.

REMARQUE : Ne retirez pas la garniture externe (ensemble de la lampe).

2. Attrapez l'ampoule et tirez-la directement.

3. Retirez la nouvelle ampoule de son emballage en utilisant des gants ou un chiffon sec. (L'utilisation de gants en latex permet une meilleure prise). L'ampoule doit avoir la même puissance, halogène de 120 volts, 25 watts à culots G-9. Un wattage est trop élevé peut provoquer une défaillance précoce de l'ampoule.

4. Enfoncez l'ampoule jusqu'à la butée dans le réceptacle.

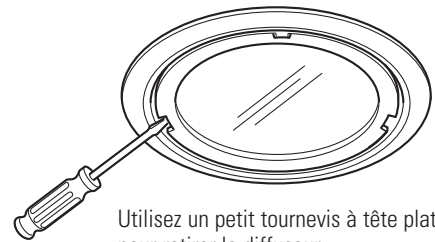
5. Remettez le diffuseur en place en insérant les trois languettes dans les fentes et en appuyant.

REMARQUE : Pour un éclairage plus performant, nettoyez fréquemment le diffuseur à l'aide d'un chiffon humide. Ceci doit être fait lorsque la hotte est refroidie.

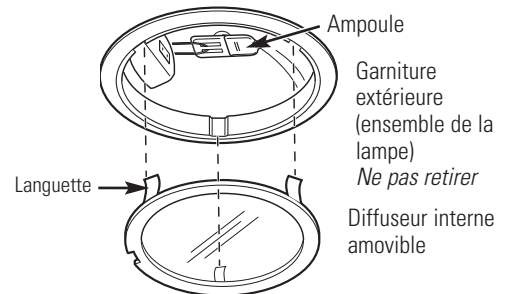
6. Rebranchez l'alimentation électrique de la hotte.

REMARQUE : Commandez des ampoules halogènes de remplacement de 120 volts, 25 watts avec un culot G-9, WB25X10020.

Vous pouvez commander ces ampoules auprès de votre revendeur GE.

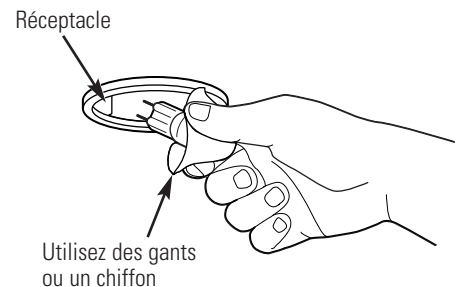


Utilisez un petit tournevis à tête plate pour retirer le diffuseur.



REMARQUE : Assurez-vous que les languettes sont insérées dans les fentes.

Utilisez uniquement une nouvelle ampoule halogène de 120 volts, 25 watts avec un culot G-9.



REMARQUE : Ne touchez pas la nouvelle ampoule halogène à mains nues. Le sébum de la peau peut provoquer une défaillance précoce de l'ampoule.

Questions ?
Utilisez ce
tableau des
problèmes
les plus
fréquents

PROBLÈME	CAUSE POSSIBLE
LE VENTILATEUR NE FONCTIONNE PAS LORSQUE LA TOUCHE MARCHÉ/ARRÊT EST ENFONCÉE	<ul style="list-style-type: none"> Le disjoncteur est peut-être déclenché ou un fusible grillé. Remplacez le fusible ou réenclenchez le disjoncteur.
LE VENTILATEUR NE CESSE DE S'ÉTEINDRE ET DE S'ALLUMER	<ul style="list-style-type: none"> Le moteur surchauffe probablement et s'éteint. Ceci peut endommager le moteur. Assurez-vous que le filtre est propre. Si le problème persiste, appelez un technicien.
LE VOYANT DU FILTRE DU VENTILATEUR EST ALLUMÉ	<ul style="list-style-type: none"> Le voyant s'allume au bout de 30 heures d'utilisation pour vous rappeler de nettoyer les filtres à graisse métalliques. Le voyant restera allumé jusqu'à ce que les filtres soient remis en place. Le filtre du côté droit ne fait pas contact avec le commutateur. Ajustez ce filtre.
LE VENTILATEUR NE FONCTIONNE PAS LORSQUE LA TOUCHE MARCHÉ/ARRÊT OU LA TOUCHE + OU - EST ENFONCÉE.	<ul style="list-style-type: none"> Le connecteur du ventilateur est lâche ou n'est pas correctement branché. Débranchez l'unité de l'alimentation électrique. Soulevez le conduit inférieur et examinez le connecteur du ventilateur. Si le connecteur est lâche, branchez-le de nouveau. Référez-vous aux <i>Instructions d'installation</i> pour l'emplacement et le branchement de ce connecteur.
CIRCULATION D'AIR BRUYANTE OU ANORMALE	<ul style="list-style-type: none"> La mauvaise dimension de conduit a été utilisée lors de l'installation. Cette hotte nécessite un conduit de 15,2 cm (6 po) de diamètre et une longueur maximale de conduit de 100 pieds équivalent pour fonctionner correctement. L'utilisation d'un conduit plus étroit ou d'une longueur trop importante conduira à une mauvaise ventilation. Les techniciens de service GE ne peuvent corriger ce problème si l'installation n'a pas été faite correctement.
LE VENTILATEUR NE FAIT PAS CIRCULER L'AIR OU DÉPLACE L'AIR PLUS LENTEMENT QUE LA NORMALE ET/OU LA CIRCULATION D'AIR PAR LE VENTILATEUR EST BRUYANTE OU ANORMALE	<ul style="list-style-type: none"> Obstructions dans le conduit. Assurez-vous que rien ne bloque l'évacuation. Assurez-vous que les événements muraux ou de toiture sont équipés de lames ou d'une porte. Les lames du registre sur l'événement mural ou de toiture ne sont peut-être pas ouvertes. Assurez-vous que le registre puisse bouger librement. Les lames du registre peuvent se retourner et ne seront alors pas complètement ouvertes. Remettez-les dans leurs positions initiales. Le filtre à graisse métallique et le filtre à charbon (si l'appareil en est équipé) sont peut-être sales. Nettoyez le filtre à graisse métallique et remplacez le filtre à charbon (si l'appareil en est équipé). Consultez la section <i>Entretien et nettoyage</i>.
LES COMMANDES DE LA HOTTE NE FONCTIONNENT PAS CORRECTEMENT	<ul style="list-style-type: none"> La logique de commande ne fonctionne pas correctement. Coupez l'alimentation de la hotte en déclenchant le disjoncteur. Attendez 30 secondes pour que les commandes se réinitialisent.
DÉFAILLANCE PRÉCOCE DE L'AMPOULE	<ul style="list-style-type: none"> L'ampoule a été remplacée à mains nues. Remplacez les ampoules en utilisant des gants pour éviter le dépôt de sébum sur les ampoules. Le wattage de l'ampoule est trop élevé. Remplacez avec le wattage correct.

Please place in envelope and mail to:
Veuillez mettre dans une enveloppe et envoyez à :

**OWNERSHIP REGISTRATION
P.O. BOX 1780
MISSISSAUGA, ONTARIO
L4Y 4G1**

(FOR CANADIAN CONSUMERS ONLY)



For Canadian
Customers



Pour les
Consommateurs
Canadiens

CUT ALONG THIS LINE AND RETURN CARD—THANKS

OWNERSHIP REGISTRATION CERTIFICATE – FICHE D'INSCRIPTION DU PROPRIÉTAIRE

Please register your product to enable us to contact you in the remote event a safety notice is issued for this product and to allow for efficient communication under the terms of your warranty, should the need arise.

Veillez enregistrer votre produit afin de nous permettre de communiquer avec vous si jamais un avis de sécurité concernant ce produit était émis et de communiquer facilement avec vous en vertu de votre garantie, si le besoin s'en fait sentir.

REGISTER ON-LINE: www.geappliances.ca		MAIL TO: P.O. BOX 1780, MISSISSAUGA	
ENREGISTREMENT SUR INTERNET À: www.electromenagersge.ca		POSTER À: ONTARIO, L4Y 4G1	
<input type="checkbox"/> MR./M	<input type="checkbox"/> MRS./MME.	FIRST NAME / PRÉNOM	LAST NAME / NOM
<input type="checkbox"/> MISS/MLLE.	<input type="checkbox"/> MS.		
STREET NO / N° RUE	STREET NAME / RUE		APT. NO / APP. / RR#
CITY / VILLE		PROVINCE	POSTAL CODE / POSTAL
AREA CODE / IND. RÉG.	TELEPHONE	E-MAIL	
DID YOU PURCHASE A SERVICE CONTRACT FOR THIS APPLIANCE? AVEZ-VOUS ACHETÉ UN CONTRAT DE SERVICE POUR CET APPAREIL ?		YES / OUI <input type="checkbox"/>	IF YES / SI OUI: EXPIRATION
		NO / NON <input type="checkbox"/>	Y/A M D/J
NAME OF SELLING DEALER / NOM DU MARCHAND		MODEL / MODÈLE	
INSTALLATION DATE / DATE D'INSTALLATION Y/A M D/J		CORRESPONDENCE <input type="checkbox"/> ENGLISH CORRESPONDANCE <input type="checkbox"/> FRANÇAIS	SERIAL / SÉRIE
<input type="checkbox"/> I do not wish to receive any promotional offers regarding this product. <input type="checkbox"/> Je ne désire pas recevoir d'offres promotionnelles concernant ce produit.			

Avec l'achat de votre nouvel appareil Monogram, soyez assuré de recevoir toute l'information ou l'assistance dont vous pourriez avoir besoin, de la part de GE. Tout ce que vous avez à faire, c'est de nous appeler—gratuitement !

GE Answer Center®

800.561.3344

Quelle que soit votre question concernant n'importe quel appareil Monogram, le service d'information du GE Answer Center® est disponible pour vous aider. Votre appel—et votre question—seront pris en compte rapidement et courtoisement. Appelez au centre d'appels GE Answer Center® du lundi au vendredi entre 8 h et 22 h HNE, et le samedi entre 8 h et 19 h HNE.

OU

Visitez notre site web sur : monogram.com

Service favori Monogram

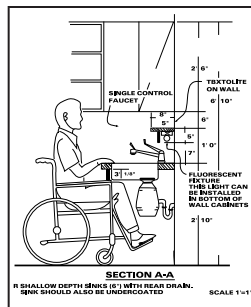
800.561.3344

Un professionnel qualifié du service GE s'occupera de la réparation, à un moment qui vous convienne. Pour prendre rendez-vous, appelez entre 7 h et 22 h HNE en semaine, ou entre 8 h et 18 h HNE les samedis et dimanches. La plupart des entreprises du service GE vous proposent une intervention le jour même ou le lendemain, ou à votre convenance. Nos techniciens formés en usine connaissent l'intérieur et l'extérieur de votre appareil—la plupart des réparations peuvent être effectuées en une intervention seulement.

Au Canada : lundi au vendredi, de 7 h à 20 h et samedi, de 8 h à 17 h HNE.

Pour les clients avec des besoins spéciaux...

Aux États-Unis
800.626.2000



GE offre gratuitement une brochure pour aider à la planification d'une cuisine sans entrave pour les personnes à mobilité réduite.

Les consommateurs malentendants ou muets qui ont accès à un TDD ou à un télécriteur conventionnel peuvent appeler le 800.TDD.GEAC (800.833.4322) pour solliciter information ou service.

Contrats de service

800.561.3344

Vous pouvez être rassuré de savoir que le service GE sera toujours là après l'expiration de votre garantie. Souscrivez à un contrat GE pendant que votre garantie est toujours en vigueur et vous bénéficierez d'une ristourne substantielle. Avec un contrat sur plusieurs années, vous êtes assuré d'un futur service au prix d'aujourd'hui.

Pièces détachées et accessoires

800.561.3344

Les personnes qualifiées pour réparer leurs propres appareils peuvent commander des pièces détachées et des accessoires et se les faire envoyer directement à domicile. Le système de pièces détachées GE propose un accès à plus de 47 000 pièces... et toutes les pièces de rechange d'origine GE bénéficient d'une garantie complète. Les cartes bancaires VISA, MasterCard et Discover sont acceptées.

Les instructions de maintenance contenues dans ce manuel détaillent les procédures à utiliser par n'importe quel utilisateur. Toute autre réparation ou intervention doit être effectuée par un technicien qualifié. La prudence est nécessaire, car une réparation incorrecte peut provoquer un fonctionnement dangereux de l'appareil.

GARANTIE DE VOTRE HOTTE
Agrafez ici le chèque annulé ou le reçu de votre achat.
La preuve d'achat originale sera nécessaire pour bénéficier
du service après-vente pendant la période de garantie.

**CE QUI EST
COUVERT**

GARANTIE LIMITÉE D'UN AN

Pendant une année à compter de la date d'achat originale, nous fournirons gratuitement les pièces et la main-d'oeuvre à votre domicile, pour réparer ou remplacer **n'importe quelle partie de la hotte** qui serait défectueuse à cause d'un défaut de fabrication.

.....

Cette garantie est étendue à l'acheteur original et à tout propriétaire successif pour les appareils achetés pour un usage domestique ordinaire dans les 48 États continentaux, à Hawaii, à Washington D.C. ou au Canada. Si cet appareil est installé dans un endroit où il n'existe pas de service agréé GE, vous pouvez avoir à prendre en charge les frais de transport, ou il peut vous être demandé d'apporter l'appareil dans un service GE agréé pour réparation. En Alaska, la garantie est la même, sauf qu'elle est LIMITÉE parce que vous devez prendre en charge les frais de transport au magasin ou les frais de déplacement du technicien du service à votre domicile.

Tous les services de garantie sont fournis par nos centres de service d'usine, ou par un technicien Customer Care® agréé, pendant les heures de travail normales.

Dans le cas où votre appareil nécessiterait une intervention, pendant la période de garantie ou au-delà, appelez le 800.444.1845 aux États-Unis. Au Canada, appelez le 800.561.3344. Munissez-vous du numéro de modèle et du numéro de série lors de votre appel au service après-vente.

**CE QUI N'EST
PAS COUVERT**

- Les déplacements à domicile pour vous apprendre à utiliser l'appareil.
 - Le remplacement des fusibles du domicile ou la réinitialisation des disjoncteurs.
 - Un dommage annexe ou consécutif provoqué par d'éventuels défauts de cet appareil.
 - Remplacement des filtres jetables.
 - Un dommage de l'appareil provoqué par un accident, un incendie, une inondation ou un cas de force majeure.
 - Un dommage provoqué après la livraison.
 - Une panne de l'appareil dans le cas d'une utilisation autre que celle prévue, ou d'une utilisation commerciale.
 - Une installation incorrecte.
- Si vous rencontrez un problème d'installation, contactez votre revendeur ou votre installateur. Vous êtes responsable de la fourniture appropriée d'électricité, de gaz, d'évacuation et d'autres raccordements, comme indiqué dans les instructions d'installation fournies avec votre produit.
- Un appareil non accessible pour exécuter la réparation nécessaire.

EXCLUSION DES GARANTIES IMPLICITES – Votre seul et unique recours réside dans la réparation de l'appareil telle qu'elle est définie dans cette garantie limitée. Toutes autres garanties implicites, y compris les garanties implicites de valeur commerciale ou d'adéquation à un usage particulier, sont limitées à une année ou à la plus petite période autorisée par la loi.

Certains états/provinces n'autorisent pas l'exclusion ou la limitation des dommages fortuits ou indirects, par conséquent la limitation ou l'exclusion ci-dessus peut ne pas s'appliquer à vous. Cette garantie vous donne des droits légaux particuliers et il est possible que vous puissiez bénéficier d'autres droits, qui varient d'un état/province à l'autre.

Pour connaître quels sont vos droits légaux dans votre état/province, consultez le bureau de service aux consommateurs local ou national ou le ministère de la Justice.

Garant aux États-Unis : General Electric Company, Louisville, KY 40225

Garant au Canada : Mabe Canada Inc.

Contenidos

Servicios para el consumidor	Controles y características	25
Instrucciones de seguridad	Cuidado y limpieza	
Garantía	Bombillas de luz	27
Número de modelo y de serie	Filtros de carbón	26
Números telefónicos importantes	Filtro de grasa metálico	26
Solucionador de problemas	Superficies de campana	26

Antes de usar su campana de acero inoxidable

Lea este manual con detenimiento. Su objetivo es ayudarlo a operar y mantener su nueva campana de chimenea de una manera adecuada.

Manténgalo a mano para responder sus preguntas.

Si no entiende algo o necesita más ayuda, hay una lista de números gratuitos de atención al cliente en la sección trasera de este manual.

O

Visite nuestro sitio Web: **monogram.com**

Escriba los números de modelo y de serie

Usted puede encontrarlos en una etiqueta detrás de los filtros.

Estos números también se encuentran en la Tarjeta de Registro de Propiedad de Producto embalada en forma separada con su campana.

Antes de enviar la tarjeta, tenga a bien escribir los números aquí:

Número de modelo

Número de serie

Utilice estos números en cualquier correspondencia o llamadas de servicio técnico relacionadas con su campana.

Si usted recibió un campana dañado

Comuníquese de inmediato con el vendedor (o constructor) que le vendió el campana.

Ahorre tiempo y dinero

Antes de solicitar servicio técnico, verifique el Solucionador de problemas ubicado en la parte trasera de este manual.

Incluye una lista de problemas operativos menores que usted puede corregir solo.

Si necesita servicio técnico

Para obtener servicio técnico, diríjase a la página de Servicios para el consumidor en la parte trasera de este manual.

Estamos orgullosos de nuestro servicio y deseamos que usted quede satisfecho. Si por alguna razón no está satisfecho con el servicio que recibe, aquí incluimos algunos pasos a seguir para obtener más ayuda.

PRIMERO, contacte a las personas que realizaron el servicio en su artefacto. Explique por qué no está satisfecho. En la mayoría de los casos, esto solucionará el problema.

DESPUÉS, si aún así no está satisfecho, escriba todos los detalles—incluyendo número telefónico—a:

Manager, Customer Relations
 GE Appliances
 Appliance Park
 Louisville, KY 40225

INSTRUCCIONES IMPORTANTE DE SEGURIDAD LEA TODAS LAS INSTRUCCIONES ANTES DE USAR

PRECAUCIONES DE SEGURIDAD

⚠️ ADVERTENCIA: PARA REDUCIR EL RIESGO DE INCENDIOS, DESCARGAS ELÉCTRICAS O LESIONES PERSONALES, OBSERVE LO SIGUIENTE:

- A. Use esta unidad solamente de la manera que el fabricante lo indique. Si usted tiene preguntas, póngase en contacto con el fabricante.
- B. Antes de proporcionar servicio o de limpiar la unidad, desconecte el suministro eléctrico en el panel de servicio y cierre el mecanismo de seguridad para evitar que alguien lo conecte accidentalmente. Cuando no exista un dispositivo de cierre de seguridad, amarre un aviso visible, como una etiqueta al panel de servicio haciendo la advertencia.
- C. No use esta unidad con ningún dispositivo de control de velocidad de estado sólido.
- D. Esta unidad debe estar conectada a tierra.

⚠️ PRECAUCIÓN: PARA USO DE VENTILACIÓN GENERAL SOLAMENTE. NO USE PARA EXPULSAR MATERIALES PELIGROSOS O EXPLOSIVOS Y VAPORES.

⚠️ ADVERTENCIA: PARA REDUCIR EL RIESGO DE LESIONES PERSONALES EN EL CASO DE UN INCENDIO DEBIDO A GRASA DE ESTUFA QUEMADA, HAGA LO SIGUIENTE *:

- A. CONTENGA LAS LLAMAS con una tapa que ajuste bien sobre la sartén, con una lámina para hacer dulces o con una bandeja metálica, y luego apague el quemador. TENGA CUIDADO DE NO QUEMARSE. Si las llamas no se apagan inmediatamente, EVACUE EL LUGAR Y LLAME AL DEPARTAMENTO DE BOMBEROS.
- B. NUNCA AGARRE UNA SARTÉN O UNA OLLA QUE SE ENCUENTRE EN LLAMAS—Se podría quemar.
- C. NO USE AGUA, incluyendo paños de cocina o toallas humedecidas—esto hará que ocurra una explosión de vapor violenta.
- D. Use un extintor SOLAMENTE si:
 - 1. Usted sabe que tiene un extintor Clase ABC, y si usted ya sabe cómo operarlo.
 - 2. El fuego es pequeño y está contenido al área donde comenzó.
 - 3. El departamento de bomberos ha sido llamado.
 - 4. Usted está luchando contra las llamas con sus espaldas hacia una salida.

* Basado en "Ideas para la seguridad en la cocina", publicado por NFPA.

⚠️ ADVERTENCIA: PARA REDUCIR EL RIESGO DE UN FUEGO DE GRASA DE ESTUFA:

- A. Nunca deje unidades de superficie desatendidas en configuraciones de calor elevadas o medias. Cuando se está hirviendo algo y ocurren derramamientos, estos podrían causar humo y que los derramamientos grasosos se incendien. Caliente los aceites lentamente a selecciones medias y bajas.
- B. Siempre encienda la campana cuando cocine a fuego alto o cuando flambee alimentos (Crepes Suzette, Cherries Jubilee, Flambeado de Carne con Pimienta).
- C. Limpie el ventilador con frecuencia. La grasa no debe acumularse en el ventilador o en el filtro.
- D. Use una sartén de tamaño apropiado. Siempre use piezas de cocina apropiadas para el tamaño del elemento de la superficie.

⚠️ ADVERTENCIA: PARA REDUCIR EL RIESGO DE INCENDIOS, DESCARGAS ELÉCTRICAS O LESIONES PERSONALES, OBSERVE LO SIGUIENTE:

- A. El trabajo de instalación y el alambrado eléctrico debe hacerlo una persona(s) calificada conforme a todos los códigos y estándares aplicables, incluyendo una construcción aprobada por el inspector de incendios.
- B. Suficiente aire es necesario para una combustión apropiada y para deshacerse de los gases a través de una salida de humo (chimenea) de equipos que queman combustibles para prevenir retroalimentación. Siga las recomendaciones del fabricante del equipo de calentamiento y los estándares de seguridad tales como los publicados por la Asociación nacional de protección de incendios (NFPA), y la Sociedad americana de ingenieros de calefacción, acondicionadores de aire y refrigeración (ASHRAE), y los códigos de las autoridades locales.
- C. Cuando se encuentre cortando o taladrando en la pared o en el techo, no dañe los alambros eléctricos u otras utilidades escondidas.
- D. Los ventiladores con conductos deben estar siempre ventilados hacia el exterior.

⚠️ ADVERTENCIA: PARA REDUCIR EL RIESGO DE INCENDIOS, SOLAMENTE USE CONDUCTOS METÁLICOS.

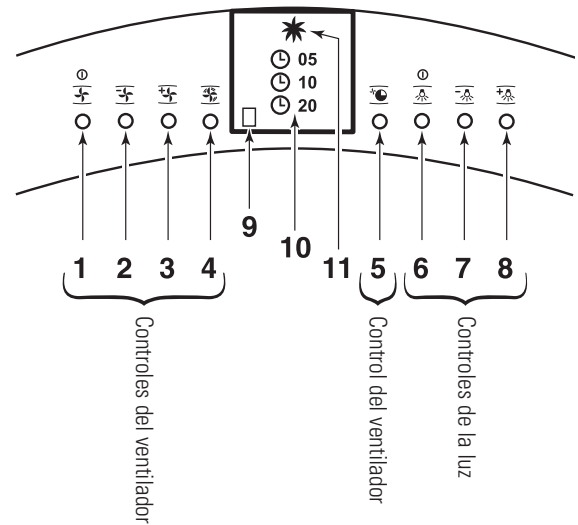
- No intente reparar o reemplazar ninguna parte de su campana a no ser que lo recomiende específicamente este manual. Cualquier otro servicio debe ser referido a un técnico calificado.

**LEA Y SIGA
ESTAS INSTRUCCIONES.**

Controles

NOTA: No utilice elementos que generan llamas debajo de la campana de cocina.

1. ON/OFF (encendido/apagado). Recuerda la última velocidad del ventilador utilizada (con excepción de la velocidad de ventilador más alta: Boost (impulso).
2. Baja la velocidad.
3. Aumenta la velocidad.
4. La velocidad más alta, Boost (impulso), se enciende en forma instantánea cuando se acciona el encendido.
5. Apagado de ventilador retardado. Elija 5, 10 o 20 minutos presionando este botón.
6. Luz ON/OFF (encendido/apagado). Vuelve al último nivel de luz utilizado. (Hay seis niveles de luz).
7. Reduce la intensidad de la luz.
8. Aumenta la intensidad de la luz.
9. La luz indicadora de limpieza se ilumina después de 30 horas de tiempo de funcionamiento para recordarle que debe limpiar los **filtros de grasa de metal**. La luz permanece encendida hasta que se cambien los filtros. Si la luz roja permanece encendida y los filtros están dentro, ajuste el filtro del lado derecho en su lugar. El temporizador se reconfigura en forma automática.
10. Indica el tiempo configurado durante el cual funcionará el ventilador, antes de apagarse en forma automática (5, 10 o 20 minutos).
11. Luz indicadora de ventilador encendido (ON).



Para su seguridad

Antes de realizar reparaciones o limpiar la unidad, desconecte la energía del panel de servicio y bloquee éste último para evitar el accionamiento de la energía de manera accidental. Si el panel de servicio no puede bloquearse, coloque una etiqueta o cartel de advertencia sobre el panel.

Filtros de carbón (en algunos modelos)

Si el modelo no tiene ventilación al exterior, el aire se recirculará a través de filtros de carbón desechables que ayudan a remover humo y olores.

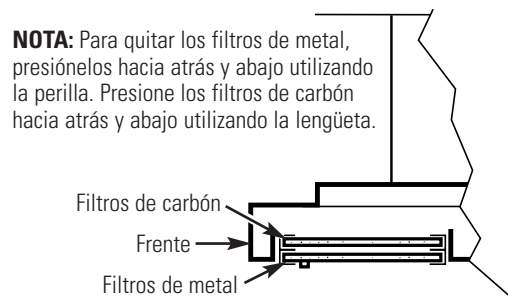
Los filtros de carbón deben cambiarse cuando estén visiblemente sucios o decolorados (usualmente después de 6 a 12 meses, dependiendo del uso de la campana).

NOTA: NO enjuague o coloque los filtros de carbón en el lavavajillas automático.

Los filtros de carbón no pueden limpiarse. Deben cambiarse.

Solicite el kit de filtros de carbón (3 filtros) WB02X10731.

Puede solicitar este kit a su proveedor de GE.



NOTA: Para quitar los filtros de metal, presiónelos hacia atrás y abajo utilizando la perilla. Presione los filtros de carbón hacia atrás y abajo utilizando la lengüeta.

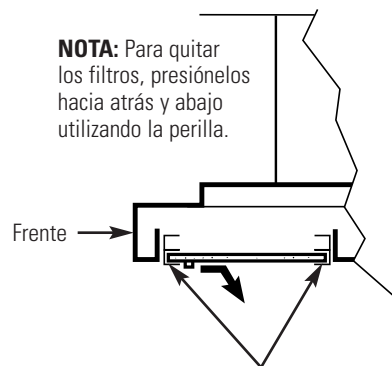
Para un funcionamiento adecuado, asegúrese de usar los filtros de carbón en el grupo superior de soportes de los filtros y los filtros de metal en el grupo inferior de soportes de los filtros.

Filtro de grasa metálico

Limpie el filtro de grasa después de 30 horas de funcionamiento. Una luz indicadora lo alertará cuando hayan pasado 30 horas.

Quite los filtros de grasa y lávelos a mano o en el lavavajillas utilizando jabón no abrasivo.

Para limpiar los filtros, introdúzcalos en agua caliente jabonosa y sacúdalos o lávelos en el lavavajillas. No utilice productos de limpieza abrasivos.



NOTA: Para quitar los filtros, presiónelos hacia atrás y abajo utilizando la perilla.

Para un funcionamiento adecuado, asegúrese de utilizar el grupo inferior de soportes de los filtros.

Superficies de la campana

No utilice almohadillas de acero porque rayan la superficie.

Para limpiar la superficie de acero inoxidable, utilice agua tibia jabonosa o un limpiador o lustrador para acero inoxidable. Siempre limpie la superficie en dirección de la veta.

Siga las instrucciones del producto para limpiar la superficie de acero inoxidable. Para consultar sobre la compra de limpiadores o lustradores de aparatos de acero inoxidable, o para encontrar la ubicación del distribuidor más cercano a su domicilio, llame a nuestro número gratuito:

Centro nacional de piezas:

800.626.2002

Bombillas de luz

NOTA: La tapa de vidrio sólo debe quitarse cuando está fría al tacto.

⚠ PRECAUCIÓN:

Antes de cambiar la bombilla, desconecte la energía eléctrica hacia la campana desde el fusible principal o el interruptor de circuitos. Antes de tocarlas, espere a que las bombillas se enfríen.

Verifique que la tapa de la lámpara y la bombilla se hayan enfriado por completo.

Para mayor seguridad, no toque una bombilla caliente con las manos desnudas o con un trapo húmedo.

Para cambiar las bombillas de luz:

1. Quite la tapa de la bombilla introduciendo un destornillador plano dentro de las tres ranuras y liberándolas con cuidado.

NOTA: No quite el anillo exterior (montaje de la bombilla).

2. Tome la bombilla y tire directamente hacia afuera.
3. Retire la nueva bombilla de su envoltorio utilizando guantes o un paño seco. (Para un mejor agarre, utilice guantes de látex). La bombilla debe ser del mismo vataje, halógena de 120 voltios, 25 vatios con una base G-9. La bombilla puede fallar en forma temprana si el vataje es muy elevado.
4. Empuje la bombilla en línea recta al interior del receptáculo.
5. Vuelva a colocar la tapa de la bombilla introduciendo las tres lengüetas de retención dentro de las ranuras y presionando firmemente en su lugar.

NOTA: Para una mejor iluminación, limpie la tapa de vidrio frecuentemente con un paño húmedo. Esta operación debe realizarse cuando la campana está completamente fría.

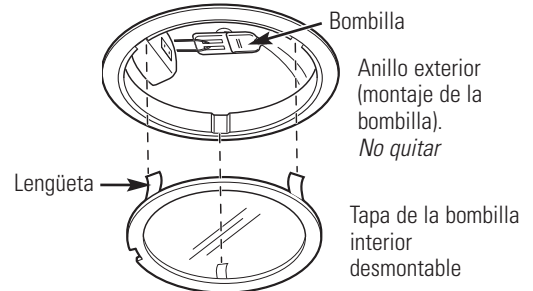
6. Reconecte la alimentación de energía a la campana.

NOTA: Solicite la bombilla halógena de repuesto WB25X10020 de 120 voltios, 25 vatios con una base G-9.

Puede solicitar estas bombillas a su proveedor de GE.

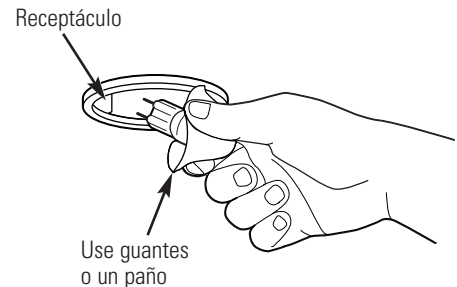


Utilice un destornillador plano para quitar la tapa de la bombilla.



NOTA: Asegúrese de que las lengüetas estén colocadas en las ranuras.

SÓLO utilice una bombilla halógena nueva de 120 voltios, 25 vatios con una base G-9.



NOTA: No toque la bombilla halógena nueva con las manos desnudas. Los aceites de la piel pueden provocar una falla temprana de la bombilla.

¿Preguntas?
¡Utilice este
solucionador
de problemas!

PROBLEMA	CAUSA POSIBLE
EL VENTILADOR NO FUNCIONA CUANDO SE PRESIONA EL BOTÓN ON/OFF (ENCENDIDO/APAGADO)	<ul style="list-style-type: none"> • Un fusible puede haberse quemado o el interruptor de circuitos puede haber saltado. Cambie los fusibles o reconfigure los interruptores.
EL VENTILADOR SE ENCIENDE Y APAGA SIN PARAR	<ul style="list-style-type: none"> • El motor probablemente se está sobrecalentando y se apaga solo. Esto puede dañar el motor. Verifique que el filtro esté limpio. Si continúa el ciclo de apagado y encendido, llame al servicio técnico.
LA LUZ DEL FILTRO DEL VENTILADOR ESTÁ ENCENDIDA	<ul style="list-style-type: none"> • Después de 30 horas “encendido” o en funcionamiento, la luz le recuerda que debe limpiar los filtros de grasa metálicos. La luz permanece encendida hasta que se cambien los filtros. • El filtro del lado derecho no hace contacto con el interruptor. Ajuste el filtro en su lugar.
EL VENTILADOR NO FUNCIONA CUANDO SE PRESIONA EL BOTÓN ON/OFF (ENCENDIDO/APAGADO) DEL VENTILADOR O CUANDO SE PRESIONA EL BOTÓN + O –	<ul style="list-style-type: none"> • El conector del ventilador está suelto o no se encuentra enchufado dentro de su conector correspondiente. Desconecte la energía hacia la unidad. Levante la tapa del conducto inferior y observe el enchufe conector del ventilador. Si el enchufe del conector del ventilador está suelto, enchúfelo firmemente. Ver las <i>Instrucciones de instalación</i> para la ubicación del enchufe y sobre cómo enchufar el conector.
RUIDO DE FLUJO DE AIRE MUY FUERTE O ANORMAL	<ul style="list-style-type: none"> • Tamaño de conducto incorrecto utilizado en la instalación. Esta campana requiere un conducto de 6” y una longitud máxima de conducto de 100 pies equivalentes para funcionar correctamente. Utilizar conductos más pequeños o longitudes equivalentes mayores provocará una ventilación inadecuada. Los técnicos de GE no pueden corregir este problema si hay una instalación inadecuada.
EL VENTILADOR NO HACE CIRCULAR EL AIRE O MUEVE EL AIRE A UNA VELOCIDAD MENOR DE LO NORMAL Y/O EL VENTILADOR HACE RUIDO DE FLUJO DE AIRE MUY FUERTE O ANORMAL	<ul style="list-style-type: none"> • Obstrucciones en el conducto. Verifique que no haya obstrucciones en la ventilación. Controle que la cubierta de pared o casquete de techo tengan una hoja o puerta. • La hoja del regulador de tiro de la cubierta de pared o casquete de techo puede estar cerrada. Asegúrese de que el regulador de tiro se mueva libremente. Las hojas del regulador de tiro pueden darse vuelta y no se abrirán por completo cuando esto suceda. Ajústela con la posición original. • El filtro de grasa metálico y el filtro de carbón (si lo hubiera) pueden estar sucios. Limpie el filtro de grasa metálico y vuelva a colocar el filtro de carbón (si lo hubiera). Ver <i>Cuidado y limpieza</i>.
LOS CONTROLES DE LA CAMPANA NO FUNCIONAN CORRECTAMENTE	<ul style="list-style-type: none"> • Error en el circuito lógico. Desconecte la energía hacia la campana reconfigurando el interruptor de circuitos. Espere 30 segundos para que los controles vuelvan a configurarse.
FALLA TEMPRANA DE LA BOMBILLA	<ul style="list-style-type: none"> • Cambiar las bombillas con las manos desnudas. Cambie las bombillas usando guantes para evitar el contacto de aceites de la piel con las bombillas. • El vataje de la bombilla es muy elevado. Utilice el vataje correcto.

GARANTÍA DE SU CAMPANA MONOGRAM
Abroche el comprobante de venta o cheque compensado aquí. Se necesita una prueba de la fecha de compra original para obtener servicio técnico cubierto por la garantía.

ELEMENTOS CUBIERTOS

GARANTIE LIMITÉE D'UN AN

Durante un año a partir de la fecha original de compra, otorgaremos, en forma gratuita, piezas y servicio técnico en su hogar para reparar o reemplazar **cualquier parte de su campana** que falle debido a defectos en la fabricación.

Esta garantía se extiende al comprador original y cualquier dueño posterior para productos adquiridos para uso doméstico dentro de los 48 estados continentales, Hawaii, Washington, D.C. o Canadá. Si el producto se encuentra en una región donde no hay Servicio Técnico de GE, usted será responsable del cargo del viaje o usted puede tener que llevar el producto a un Servicio Técnico Autorizado de GE para efectuar la reparación. En Alaska la garantía es la misma salvo que es LIMITADA porque usted debe pagar el envío del producto a la tienda de servicio técnico o los gastos de viaje del técnico hasta su hogar.

Todo el servicio de garantía debe suministrarse por parte de nuestros Centros de Servicio de Fábrica o por técnicos autorizados de Customer Care® durante un horario normal de trabajo.

Si su artefacto requiere servicio técnico, durante el período de garantía o después del mismo, en los EE.UU. llame al 800.444.1845. En Canadá: 800.561.3344. Tenga el número de serie y de modelo a mano cuando llame para solicitar un servicio técnico.

ELEMENTOS NO CUBIERTOS

- Visitas a su hogar para enseñarle a usar el producto.
 - Reemplazo de fusibles domésticos o la reconfiguración de disyuntores.
 - Daños incidentales o resultantes provocados por posibles defectos en este artefacto.
 - Recambio de los filtros reemplazables.
 - Daños al producto provocados por accidentes, incendios, inundaciones o fuerza mayor.
 - Daños provocados después de la entrega.
 - Fallas del producto si se utiliza para un objetivo diferente del previsto o se usa de forma comercial.
 - Instalación inadecuados.
- Si tiene un problema con la instalación, comuníquese con su vendedor o instalador. Usted es responsable de suministrar adecuadas instalaciones eléctricas, de gas, de salida y otras conexiones como se describe en las Instrucciones de Instalación incluidas con el producto.
- Producto no accesible para prestar el servicio técnico solicitado.

EXCLUSIÓN DE GARANTÍAS IMPLÍCITAS—Su único y exclusivo recurso es la reparación del producto como se establece en la presente Garantía Limitada. Las garantías implícitas, incluyendo garantías de comerciabilidad y aptitud para un objetivo particular, se encuentran limitadas a un año o el período más corto permitido por la ley.

Algunos estados/provincias no permiten la exclusión o limitación de daños incidentales o resultantes, por lo tanto esta exclusión o limitación puede no aplicarse en su caso. Esta garantía le otorga derechos legales específicos y usted puede contar con otros derechos, que pueden variar de estado a estado/provincia a provincia.

Para conocer sus derechos legales en su estado/provincia, consulte a su oficina del consumidor local o estatal/provincial o al Fiscal General de su estado.

Garante en los EE.UU.: General Electric Company, Louisville, KY 40225

Garante en Canadá: Mabe Canada Inc.



GE Consumer & Industrial
 Appliances
 General Electric Company
 Louisville, KY 40225
 monogram.com

49-80569

05-09 JR

Printed in Italy
 Imprimé en Italie
 Impresso in Italia